

FIND NO.	DRAWING NO.	DESCRIPTION	TYPE	FIND NO.	DRAWING NO.	DESCRIPTION	TYPE
1	B-TC-RH11-B-02	FIELD MAINTENANCE PRINT SET (TC)	-				
	D-UA-RH11-B-0	RH11-B UNIT ASSEMBLY	E/M				
	D-MU-RH11-B-01	MODULE UTILIZATION	E				
	D-BS-RH11-0-02	MASSBUS TRANSCEIVER	E				
	D-IC-RH11-0-03	UNIBUS A CABLE DIAGRAM	E				
	D-IC-RH11-0-04	UNIBUS B CABLE DIAGRAM	E				
	D-TD-RH11-0-05	WRITE UNIBUS (TIMING DIAGRAM)	E				
	D-TD-RH11-0-06	READ + WRITE CHECK UNIBUS (TIMING DIAGRAM)	E				
	D-TD-RH11-0-07	WRITE MASSBUS (TIMING DIAGRAM)	E				
	D-TD-RH11-0-08	READ + WRITE CHECK MASSBUS (TIMING DIAGRAM)	E				
	D-FD-RH11-0-09	WRITE COMMAND FLOW DIAGRAM	E				
	D-FD-RH11-0-10	READ COMMAND FLOW DIAGRAM	E				
	D-FD-RH11-0-11	WRITE CHECK COMMAND FLOW DIAGRAM	E				
	D-CS-M7295-0-1	BUS CONTROL	E				
	D-CS-M7296-0-1	CONTROL AND STATUS REG	E				
	D-CS-M7294-0-1	DATA BUFFER AND CONTROL	E				
	D-CS-M7297-0-1	PARITY CONTROL	E				
	D-CS-M9300-0-1	UNIBUS TERMINATOR (BUS B)	E				
	D-CS-M5904-0-1	CONTROLLER TRANSCEIVER	E				
	B-CS-G727-0-1	GRANT CONTINUITY	E				
	D-CS-H870-0-1	MASSBUS TERMINATOR	E				
	C-CS-M920-0-1	UNIBUS CONNECTOR	E				
	D-CS-M688-0-1	POWER FAIL DRIVER	E				
	D-IA-7009570-0-0	RH11 POWER HARNESS (15 PIN)	E/M				
	D-IA-7009563-0-0	POWER HARNESS (15 PIN)	E/M				
	A-PI-H851-0-0	HANDLE EXTENDER	M				
	D-IA-7009571-0-0	RH11 POWER HARNESS (9 PIN)	E/M				
	D-IA-7009099-0-0	POWER HARNESS (9 PIN)	E/M				
2	D-AD-7009307-0-0	WIRED ASSEMBLY (RH11)	E				
	K-WL-RH11-0-12	WIRE LIST	E				
	A-WT-7009397-0	AWT REVISION STATUS	E				
	D-SC-1210258-0-0	CONN. BLOCK 288 PIN	M				
	A/D-PS-1211425-0	CONN. BLOCK 72 PIN	M				
	E-PS-1211439-0	11/05 LOGIC FRAME	M				
	A-SS-7407846-0-0	LOGIC SERIAL NO. LABELS	M				
3	D-CS-5410506-0-1	CIRCUIT SCHEMATIC	E				
	K-CO-5410506-0-4	X-Y COORDINATE HOLE LOCATION	E				
	D-AH-5410506-0-5	ASSY DRILLING HOLE LAYOUT	E				
	B-MH-5410506-0-6	MODULE ECO HISTORY	E				
	5010505	ETCHED CIRCUIT BOARD	E				
4	D-CS-M7294-YB-1	DATA BUFFER AND CONTROL (RH11-BA ONLY)	E				
	D-AH-M7294-YB-5	ASSY DRILLING HOLE LAYOUT (RH11-BA ONLY)	E				

TYPE: E ELECTRICAL
M MECHANICAL
E/M ELECTRO/MECHANICAL

digital

TITLE

MASS BUS CONTROLLER
(RH11-B)

SIZE	CODE	NUMBER	REV
B	DD	RH11-B	A

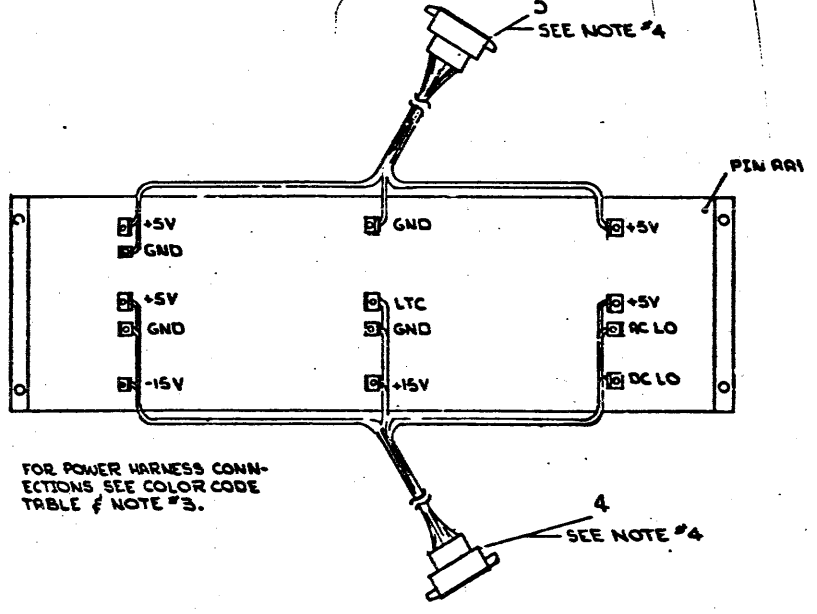
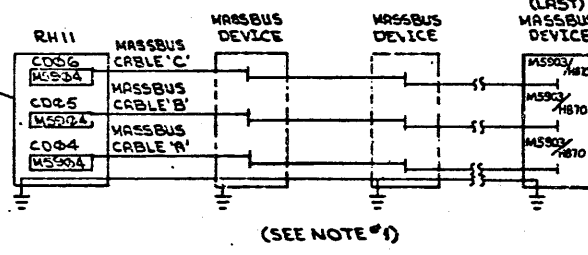
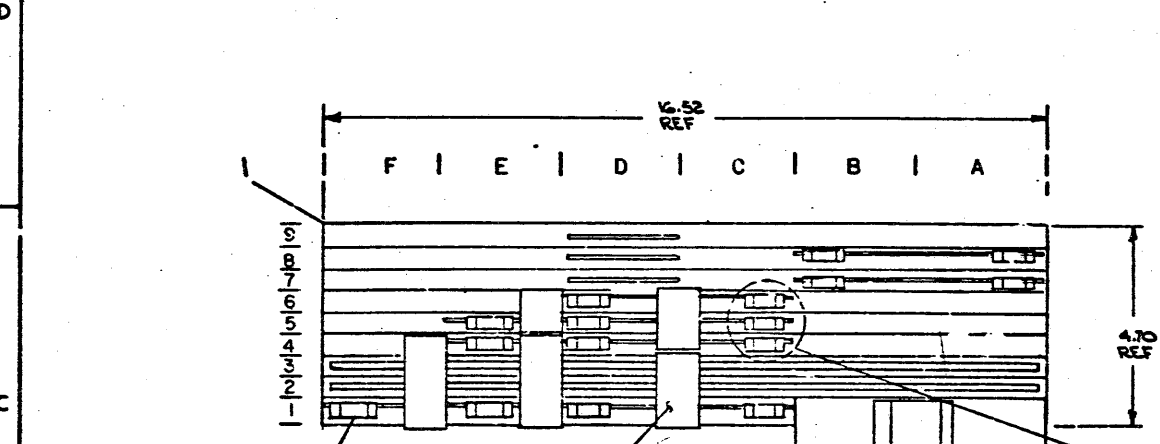
SHEET 2 OF 2

THIS DRAWING AND SPECIFICATIONS HEREIN ARE THE PROPERTY OF DIGITAL EQUIPMENT CORPORATION AND SHALL NOT BE REPRODUCED OR COPIED OR USED IN WHOLE OR IN PART BY THE BUYER FOR THE MANUFACTURE OR SALE OF ITEMS IN CONNECTION WITH THIS DRAWING. COPYRIGHT © 1973 DIGITAL EQUIPMENT CORPORATION

VARIATION	DESCRIPTION
RH11-B	DUAL UNIBUS PORT CONTROLLER FOR MASSBUS
RH11-BA SEE NOTE 6	DUAL UNIBUS PORT CONTROLLER FOR MASSBUS, STRAWMAN SYSTEMS ONLY

POWER HARNESS COLOR CODE TABLE	
WIRE COLOR	TAB CONN.
RED	+5V
BLK	GND
BLU	-15V
YEL	AC LO
VIO	DC LO
GRY	+15V
BRN	LTC

- NOTES:**
1. INSERT ONE H870 MASSBUS TERMINATOR MODULE IN J2 (ETCH SIDE OF H870 TO COMPONENT SIDE OF M5903) OF EACH OF THE M5903 MASSBUS TRANSDUCER MODULES IN THE LAST MASSBUS DRIVE.
 2. FOR MODULE LOCATION REFER TO: D-MU-RH11-B-01.
 3. USE CAUTION WHEN ATTACHING POWER HARNESS CABLES AS NOT TO PINCH WIRES ON THE WIRED ASSY. OR SHORT POWER TABS TO WIRE WRAP PINS.
 4. FOR 9 PIN POWER DISTRIBUTION SYSTEMS USE POWER HARNESSES D-IA-1009511-0-0 & D-IA-1009099-0-0 IN PLACE OF ITEMS #4 & 5.
 5. COLORED EDGE OF MASSBUS CABLES SHOULD BE FACING MODULE HANDLE OF M5904 & M5903-YA.
 6. RH11-BA USES THE YB VARIATION OF THE M7294 DATA AND CONTROL MODULE.



QTY.	DESCRIPTION	PART NO.	ITEM NO.
1	POWER HARNESS (9 PIN)	D-IA-1009099-0-0	REF
1	RH11 POWER HARN. (9 PIN)	D-IA-1009511-0-0	REF
1	RH11 POWER HARN. (15 PIN)	D-IA-1009510-0-0	5
1	POWER HARNESS (15 PIN)	D-IA-1009503-0-0	4
5	MODULE HOLDER	I209856	3
1	MODULE UTILIZATION	D-MU-RH11-B-01	2
1	WIRED ASSY (RH11)	D-RO-1009397-0-0	1

FIRST USED ON OPTION MODEL	RH11	DATE	
UNLESS OTHERWISE SPECIFIED DIMENSIONS IN INCHES		DATE	
TOLERANCES		DATE	
DEC. MALS		DATE	
ANGLES	90° 30'	DATE	
FINISH		DATE	
REMOVE BURRS AND BREAK SHARP CORNERS SURFACE QUALITY 1		DATE	
MATERIAL		DATE	
FINISH		DATE	

digital EQUIPMENT CORPORATION

RH11 UNIT ASSEMBLY

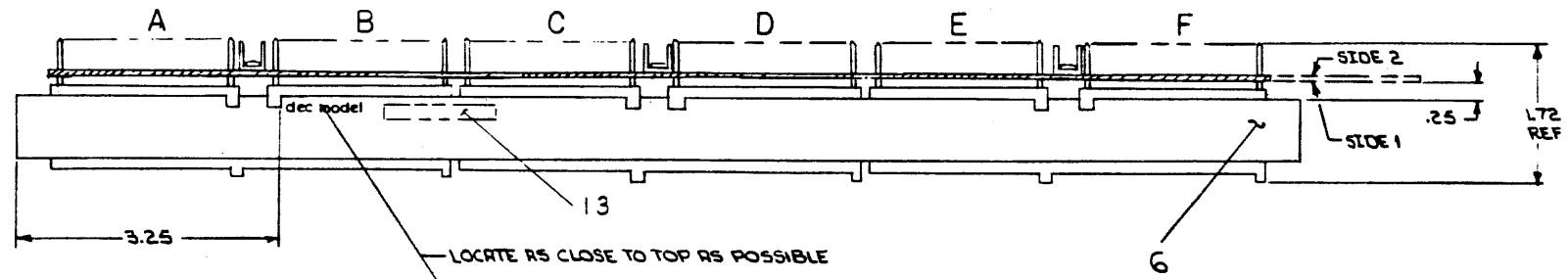
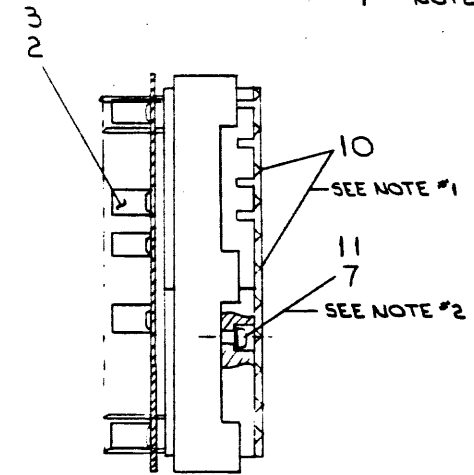
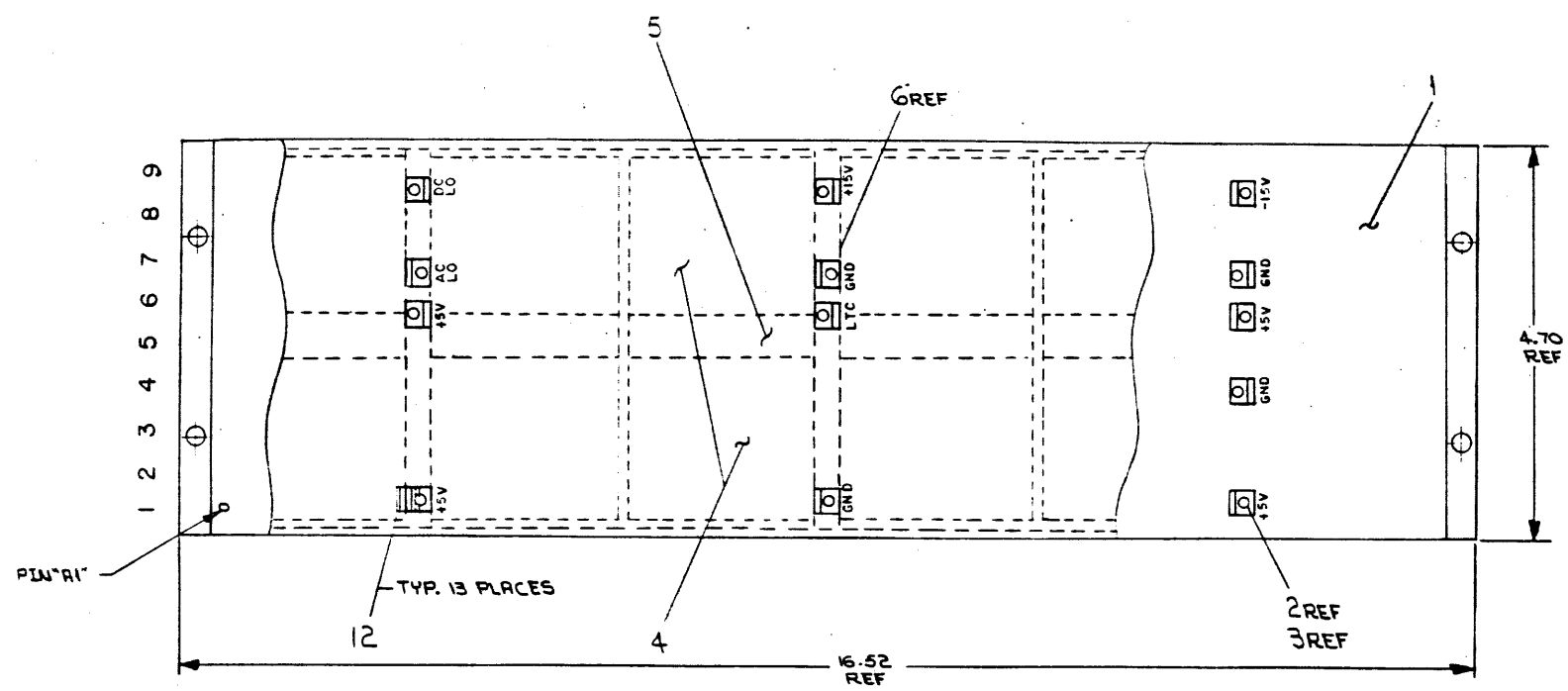
B-00-RH11-B-0

SIZE CODE: DIST. NUMBER: REV. A

REV.	DATE	BY	CHKD.
1			

THIS DRAWING AND SPECIFICATIONS HEREIN ARE THE PROPERTY OF DIGITAL EQUIPMENT CORPORATION, AND SHALL NOT BE REPRODUCED OR COPIED OR USED IN WHOLE OR IN PART AS THE BASIS FOR THE MANUFACTURE OR SALE OF ITEMS WITHOUT WRITTEN PERMISSION.
 © 1973 DIGITAL EQUIPMENT CORPORATION

- NOTES:
- CUT ITEM #10 (CARD GUIDE), ON 6 SLOTS, DOWN TO 3 WITH 4 SLOTS & 3 WITH 5 SLOTS.
 - AFTER WAVE SOLDER PROCEDURE, REPLACE ITEM #7 (SCREWS) WITH ITEM #11 (SPECIAL SCREWS) WHEN INSTALLING ITEM #10 (CARD GUIDES) CUT TO SPECIFICATIONS IN NOTE #1.



A/R WIRE #30 TWP BLK & WHT	910720-09	16
A/R COMPRESS-O-CARTON	9905016-4	15
REF PACKAGING INSTRUCTIONS	P-PI-370043-33	14
1 DECAL LOGIC ASSY	P-DC-7411831-0-1	13
AWT REVISION STATUS	A-WT-7009397-0	REF
RH11 BACK PANEL	D-65-5410506-0	REF
WIRE LIST	MWR-RH11-0-12	REF
13 WIRE SHIELD	9009526	12
12 SCR SELF TAPPING PHL SPECIAL HD #8-32x.810 LG	9009070-2	11
6 CARD GUIDE CENTER	1210698	10
A/R WIRE BONDING SOLID KVAR, VEL	9105740-44	9
1 LOGIC SERIAL NO. LABELS	M-5407846-0-0	8
15 SCR PHL HD POSITIVE #8-32x.810 LG	9006120-06	7
1 11/05 FRAME	1211439-0	6
3 CONN BLOCK 72 PIN	1211425-0	5
6 CONN BLOCK 288 PIN	D-56210258-0-0	4
13 EVELET	9009000	3
13 TRB, RIGHT ANGLE	9008219	2
1 ETCH CKT BOARD	5010505	1

FIRST USED ON OPTION MODEL	QTY.	DESCRIPTION	PART NO.	ITEM NO.
RH11				
PARTS LIST				
UNLESS OTHERWISE SPECIFIED DIMENSION IN INCHES				
TOLERANCES				
DECIMALS	ANGLES	DATE: 12-73		
.XX ± .005	∠ 0° 30'	DATE: 12-73		
.XX ± .02		DATE: 8-13-73		
.X ± .1		DATE: 8-12-73		
REMOVE BURRS AND BREAK SHARP CORNERS SURFACE QUALITY 1				
MATERIAL				
NEXT HIGHER ASSY.				
D-UA-RH11-0-0				
FINISH				
SCALE NONE				
SHEET OF				
TITLE		SIZE CODE	NUMBER	REV.
WIRED ASSY (RH11)		DAD7009397-0-0	H	

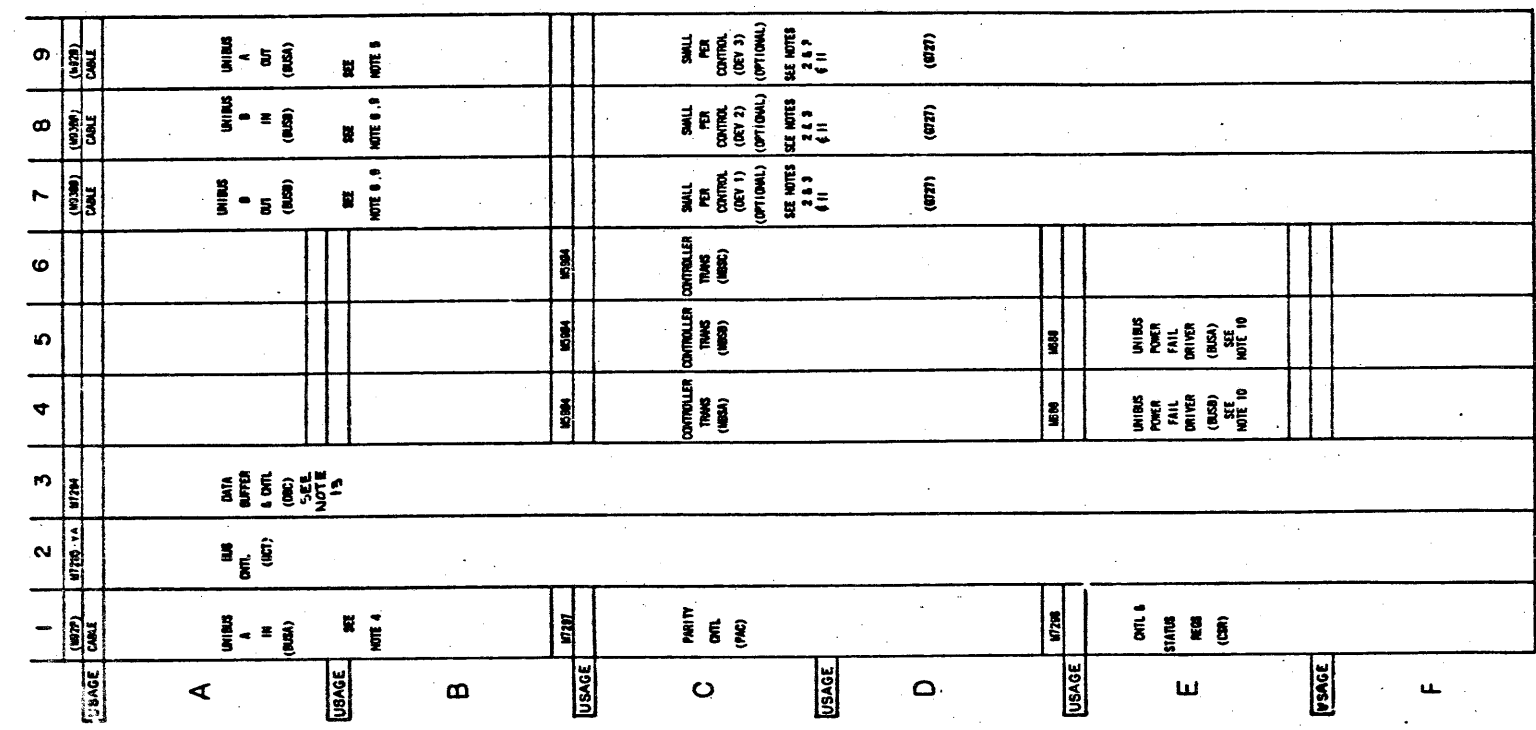
REV	CHG	DATE	BY	APP
1	1	11-20-72	JENKINS	
2	1	11-20-72	JENKINS	
3	1	11-20-72	JENKINS	
4	1	11-20-72	JENKINS	
5	1	11-20-72	JENKINS	
6	1	11-20-72	JENKINS	
7	1	11-20-72	JENKINS	
8	1	11-20-72	JENKINS	
9	1	11-20-72	JENKINS	
10	1	11-20-72	JENKINS	
11	1	11-20-72	JENKINS	
12	1	11-20-72	JENKINS	
13	1	11-20-72	JENKINS	
14	1	11-20-72	JENKINS	
15	1	11-20-72	JENKINS	
16	1	11-20-72	JENKINS	
17	1	11-20-72	JENKINS	
18	1	11-20-72	JENKINS	
19	1	11-20-72	JENKINS	
20	1	11-20-72	JENKINS	
21	1	11-20-72	JENKINS	
22	1	11-20-72	JENKINS	
23	1	11-20-72	JENKINS	
24	1	11-20-72	JENKINS	
25	1	11-20-72	JENKINS	
26	1	11-20-72	JENKINS	
27	1	11-20-72	JENKINS	
28	1	11-20-72	JENKINS	
29	1	11-20-72	JENKINS	
30	1	11-20-72	JENKINS	

THIS DRAWING AND SPECIFICATIONS HEREIN ARE THE PROPERTY OF DIGITAL EQUIPMENT CORPORATION AND SHALL NOT BE REPRODUCED OR TRANSMITTED IN ANY FORM OR BY ANY MEANS, ELECTRONIC OR MECHANICAL, INCLUDING PHOTOCOPYING, RECORDING, OR BY ANY INFORMATION STORAGE AND RETRIEVAL SYSTEM, WITHOUT THE WRITTEN PERMISSION OF DIGITAL EQUIPMENT CORPORATION.

NOTES:

- VIEW OF LOGIC PANEL IS FROM WIRING SIDE.
- THE SMALL PERIPHERAL CONTROLLER SLOTS MAY CONTAIN A VARIETY OF POP 11 OPTIONS. THE OPTION MAY CONSIST OF A SINGLE QUAD MODULE BOARD (SLOTS C, D, E, & F) OR A DOUBLE HEIGHT CONTROLLER BOARD (SLOTS C & D) WITH AN M185 ADDRESS SELECTOR MODULE (SLOT E) AND AN M7821 INTERRUPT CONTROL MODULE (SLOT F).
- IF NO OPTION IS PRESENT IN THE SMALL PERIPHERAL CONTROLLER SLOTS, 0227 GRANT CONTINUITY MODULE(S) MUST BE INSERTED IN SLOTS D.
- MAY BE EITHER M528 (CONNECTION FROM ADJACENT DEVICE) OR BC11A CABLE (CONNECTION FROM ANOTHER BOX OR NON-ADJACENT DEVICE).
- MAY BE M528 (CONNECTION TO ADJACENT DEVICE), M530 (TERMINATION AT END OF UNIBUS A) OR BC11A CABLE (CONNECTION TO NEXT BOX OR NON-ADJACENT DEVICE).
- MAY BE M530 (TERMINATION AT BEGINNING OR END OF UNIBUS B) OR BC11A CABLE (CONNECTION TO OTHER BUS B DEVICES).
- FOR DIAGNOSTIC CHECKOUT AN M5280 CONNECTOR MODULE MAY BE PLACED IN SLOTS A, B OR F. AN M530 OR BC11A CABLE IS THEN USED IN SLOT A, B OR F.
- ONE M870 MODULE WILL BE INSERTED IN J2 OF EACH OF THE M5903 MODULES IN THE LAST DRIVE BAY ATTACHED TO THE MASSBUS CABLES ORIGINATING FROM THE M5804(S) IN THE RH11 CONTROLLER BACKPLANE, WHEN BUILDING A MASSBUS SYSTEM.
- IF NO UNIBUS B CABLE IS CONNECTED TO THE RH11 ONLY ONE M9308 MODULE SHOULD BE USED IN SLOT A808.
- IF ANOTHER DEVICE ATTACHED TO THE SAME POWER SUPPLY AS THE RH11 HAS UNIBUS POWER FAIL SIGNALS WIRED TO THE UNIBUS REMOVE THE M688 MODULE FOR THAT BUS.
- SMALL PER CONTROL SLOTS FOR MANUFACTURING USE ONLY.
- ONE M870 MODULE WILL BE INSERTED IN J1 (COMPONENT SIDE OUT) OF EACH OF THE 3 M5904 MODULES FOR SHIPMENT ONLY!
- M7294-YB VARIATION IS TO BE USED IN THE RH11-BA; FOR STRAWMAN SYSTEMS ONLY.

VIEW FROM WIRING SIDE



QTY	DESCRIPTION	PART NO.	ITEM NO.
1	BUS CTRL	D-CS-M7294-YA-1	1
3	GRANT CONTINUITY	B-CS-0227-B-1	2
3	MASS BUS TERMINATOR	D-CS-M870-B-1	3
1	PARITY CTRL	D-CS-M7297-B-1	4
1	CTRL & STATUS REG	D-CS-M7296-B-1	5
1	DATA BUFFER & CONTROL	D-CS-M7294-D-4	6
3	CONTROLLER TRANSCIEVER	D-CS-M5804-B-1	7
2	UNIBUS TERMINATOR (BUS B)	D-CS-M5280-B-1	8
1	UNIBUS CONNECTOR	C-CS-M528-B-1	9
2	POWER FAIL DRIVER	D-CS-M588-B-1	10
2	HANDLE EXTENDER	A-PL-M858-B-8	11
1	DATA BUFFER & CONTROL STRAWMAN ONLY	D-CS-M7294-YB-1	12

FIRST USED ON OPTION MODEL	DATE	BY
RH11	10/1/77	D. J. ...
UNLESS OTHERWISE SPECIFIED DIMENSION IN INCHES	DATE	BY
TOLERANCES	10/1/77	D. J. ...
DECIMALS	ANGLES	
.XXX = .006	10 30'	
.XX = .002		
.X = .001		
REMOVE BURRS AND BREAK SHARP CORNERS SURFACE QUALITY 1	DATE	BY
MATERIAL	DATE	BY
FINISH	DATE	BY
PARTS LIST		
TITLE		
MODULE UTILIZATION		
SIZE CODE	NUMBER	REV.
B-DD-RH11-6	D MU RH11-B-01	A
SCALE	NONE	
CHECK	DATE	BY

REVISIONS	DATE	BY
1	10/1/77	D. J. ...
2	10/1/77	D. J. ...
3	10/1/77	D. J. ...
4	10/1/77	D. J. ...
5	10/1/77	D. J. ...
6	10/1/77	D. J. ...
7	10/1/77	D. J. ...
8	10/1/77	D. J. ...
9	10/1/77	D. J. ...
10	10/1/77	D. J. ...

The drawing and specifications herein are the property of Digital Equipment Corporation and shall not be reproduced or copied or used in whole or in part as the basis for the manufacture or sale of items without written permission. COPYRIGHT © 1977
D.G. TEL. ED. R. CORR.

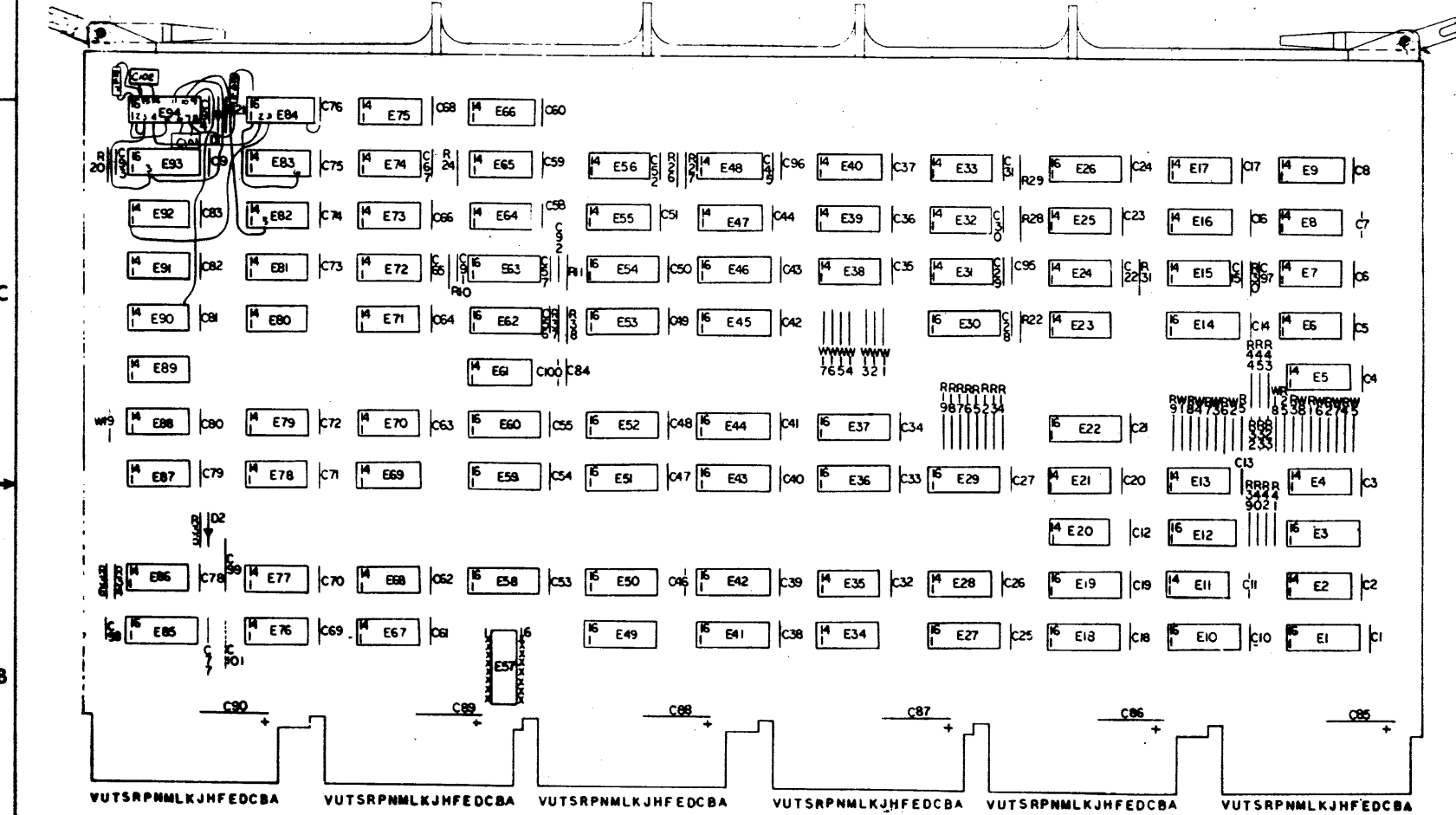
NOTES:

QTY	REF DESIGNATION	DESCRIPTION	PART NO.	ITEM NO.
	A/R	WIRE 30AWG SOLID INS	9105740	54
1	C102	CAP 10PF 5% 100V	1000006	53

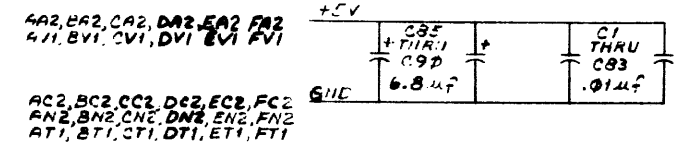
PARTS LIST

REF	X-Y COORDINATE HOLE LOCATION	K-CO-40295-B-4	1
REF	ASSY/DRILLING HOLE LAYOUT	D-44-40295-A-5	2
REF	MODULE ECO HISTORY	B-44-40295-A-6	3
1	ETCHED CIRCUIT BOARD	50K0426	4
1	C92	CAP 47 PF 5% 100V	1000011
2	C93, C95	CAP 100 PF 5% 300V	1000017
1	C98	CAP 180 PF 5% 100V	1000020
2	C94, C101	CAP 220 PF 5% 100V	1000021
2	C96, C97	CAP 330 PF 5% 100V	1000023
1	E12	IC DEC 7485	1910224
2	C87, C100	CAP 001 UF 20% 250V	1000043
1	C99	CAP 39 UF 10% 10V S TANT	1000076
83	C1 THRU C53	CAP .01 UF 20% 50V DISK	1501610-E1
6	C85 THRU C90	CAP 6.8 UF 10% 35V S TANT	1000306
1	C91	CAP 22 PF 5% 100V	1000020
2	D1 D2	DIODE DB64	1100114
2	R26 R30	RES 47 5% 1/4W	1300202
5	R23, R32, R33, R37, R38	RES 300 5% 1/4W	1300309
26	R1 THRU R9, R12 THRU R19, R22, R25, R27, R36, R37 THRU R42, R31	RES 1K 5% 1/4W	1300365
6	R24, R28, R29, R43, R44, R45	RES 180 5% 1/4W	1301322
4	R10, R11, R20, R34	RES 5 6K 5% 1/4W	1301874
2	R35, R46	RES 27K 5% 1/4W	1305346
5	E06, E74, E86	I.C. DEC 7474	1900547
7	E7, E23, E68, E73, E80, E83, E89	I.C. DEC 7410	1305576
4	E32, E75, E77, E81	I.C. DEC 7402	1309004
5	E5, E17, E47, E82, E87	I.C. DEC 7400	1300056
3	E21, E25, E91	I.C. DEC 74111	1900287
6	E9, E56, E71, E90, E92, E95	I.C. DEC 74174	1900067
10	E2, E11, E24, E28, E33, E34, E35, E40, E35, E85	I.C. DEC 8881	1900705
2	E4, E13	I.C. DEC 8242	1900712
1	E31	I.C. DEC 74011	1300048
1	E38	I.C. DEC 7405	1900030
5	E6, E84, E70, E72, E78	I.C. DEC 74004	1900031
13	E14, E22, E30, E36, F37, F42, E45, E46, E50, E51, E53, E54	I.C. DEC 74133	1910018
2	E58, E82	I.C. DEC 7442	1910096
2	E89, E79	I.C. DEC 7437	1910001
4	E75, E48, E88, E84	I.C. DEC 7408	1910155
4	E83, E85, E93, E94	I.C. DEC 74123	1910436
1	E26	I.C. DEC 74S157	1905448
2	E20, E61	I.C. DEC 7427	1910070
4	E16, E39, E87, E76	I.C. DEC 8640	1911469
5	E1, E10, E13, E18, E27	I.C. DEC 8641	1911579
6	E41, E44, E48, E52, E59, E60	I.C. DEC 8234	1911315
1	F29	I.C. DEC 8223 PROM	230400A1
1	(FOR E57)	I.C. SOCKET	1200000
1	E8	I.C. COMPONENT CARRIER	1211323
1	HANDLE		1210711-2
1	E57	PRIORITY JUMPER LEVEL #6	5400778
12	EYELET		8800732
17	W1-W6, W11-W19	INSULATED JUMPER	9009155
1	R21	RES 56K 5% 1/4W	1302395
1	R47	RES 68K 5% 1/4W	1301423

QTY	REF DESIGNATION	DESCRIPTION	PART NO.	ITEM NO.
	RH11	ETCH BOARD REV C		
		DEC NO.	ESR NO.	DEC NO.
		EIA NO.	EIA NO.	



IC PIN LOCATIONS	8	7	6	5	4	3	2	1
DEC 8223 PROM	8	16						
DEC 9234	8	16						
DEC 8641	8	16						
DEC 8849	1	8						
DEC 74S157	8	16						
DEC 74123	8	16						
DEC 74193	8	16						
DEC 7485	8	16						
IC TYPE	820	+ 8V						

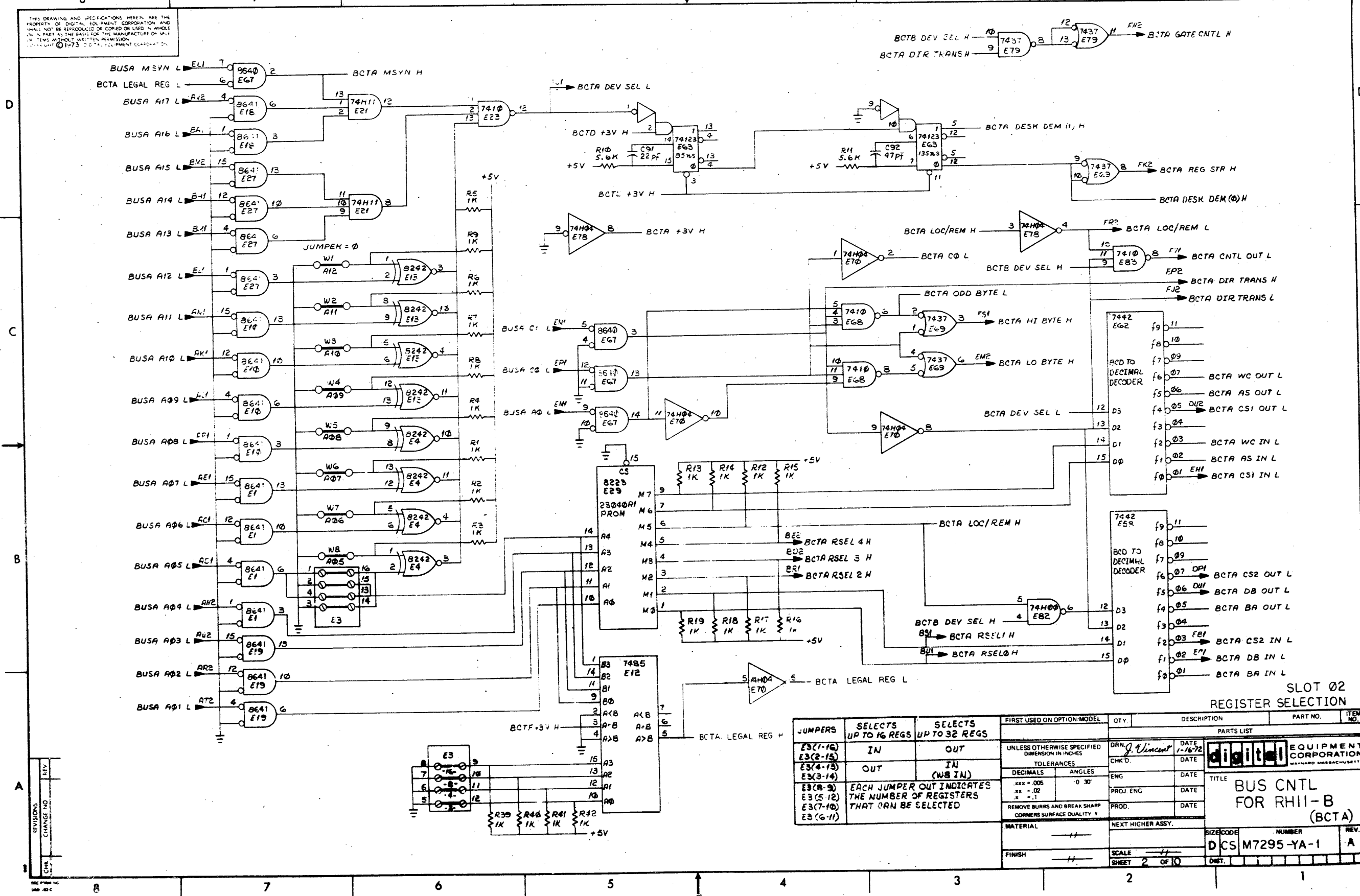


BUS CNTL MODULE (BCT)

DJCS M7295-YA-1

THIS DRAWING AND SPECIFICATIONS HEREIN ARE THE PROPERTY OF DIGITAL EQUIPMENT CORPORATION AND SHALL NOT BE REPRODUCED OR COPIED OR USED IN WHOLE OR IN PART AS THE BASIS FOR THE MANUFACTURE OF SIMILAR ITEMS WITHOUT WRITTEN PERMISSION.
 © 1973 DIGITAL EQUIPMENT CORPORATION

V 1-WA-6622W SC D 2



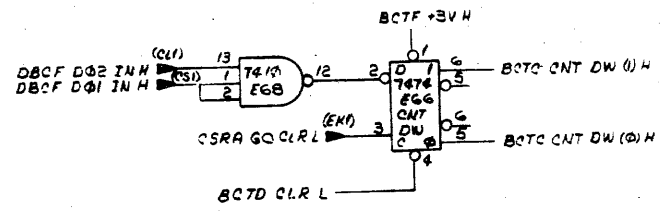
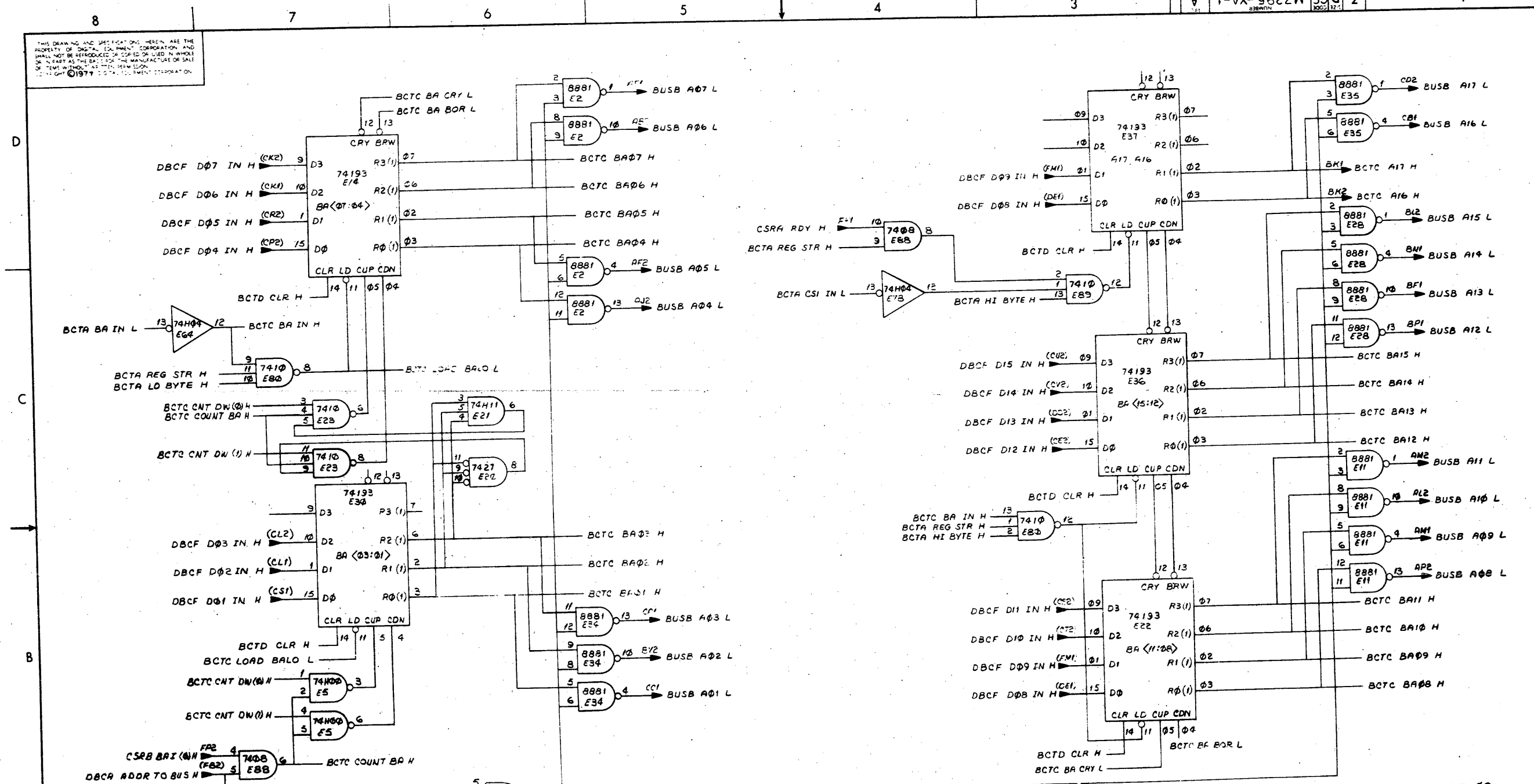
REV	CHANGE NO

JUMPERS	SELECTS UP TO 16 REGS	SELECTS UP TO 32 REGS
E3(1-16)	IN	OUT
E3(2-15)		
E3(4-13)	OUT	IN (W8 IN)
E3(3-14)		
E3(8-9)	EACH JUMPER OUT INDICATES THE NUMBER OF REGISTERS THAT CAN BE SELECTED	
E3(5-12)		
E3(7-10)		
E3(6-11)		

FIRST USED ON OPTION/MODEL	QTY.	DESCRIPTION	PART NO.	ITEM NO.
UNLESS OTHERWISE SPECIFIED DIMENSION IN INCHES	DRN: J. Vincent	DATE: 1-16-72	digital EQUIPMENT CORPORATION MAYNARD, MASSACHUSETTS	
TOLERANCES	CHK'D:	DATE:		
DECIMALS: .005	ENG:	DATE:	TITLE: BUS CNTL FOR RH11-B (BCTA)	
ANGLES: 0 30'	PROJ. ENG:	DATE:		
REMOVE BURRS AND BREAK SHARP CORNERS SURFACE QUALITY 1	PROD:	DATE:	NEXT HIGHER ASSY. SIZE CODE: DCS M7295-YA-1 NUMBER: A	
MATERIAL: 11	FINISH: 11	SCALE: 11		

DCS M7295-YA-1

THIS DRAWING AND SPECIFICATIONS HEREIN ARE THE PROPERTY OF DIGITAL EQUIPMENT CORPORATION AND SHALL NOT BE REPRODUCED, COPIED OR USED IN WHOLE OR IN PART AS THE BASIS FOR THE MANUFACTURE OR SALE OF ITEMS WITHOUT THE WRITTEN PERMISSION OF DIGITAL EQUIPMENT CORPORATION.

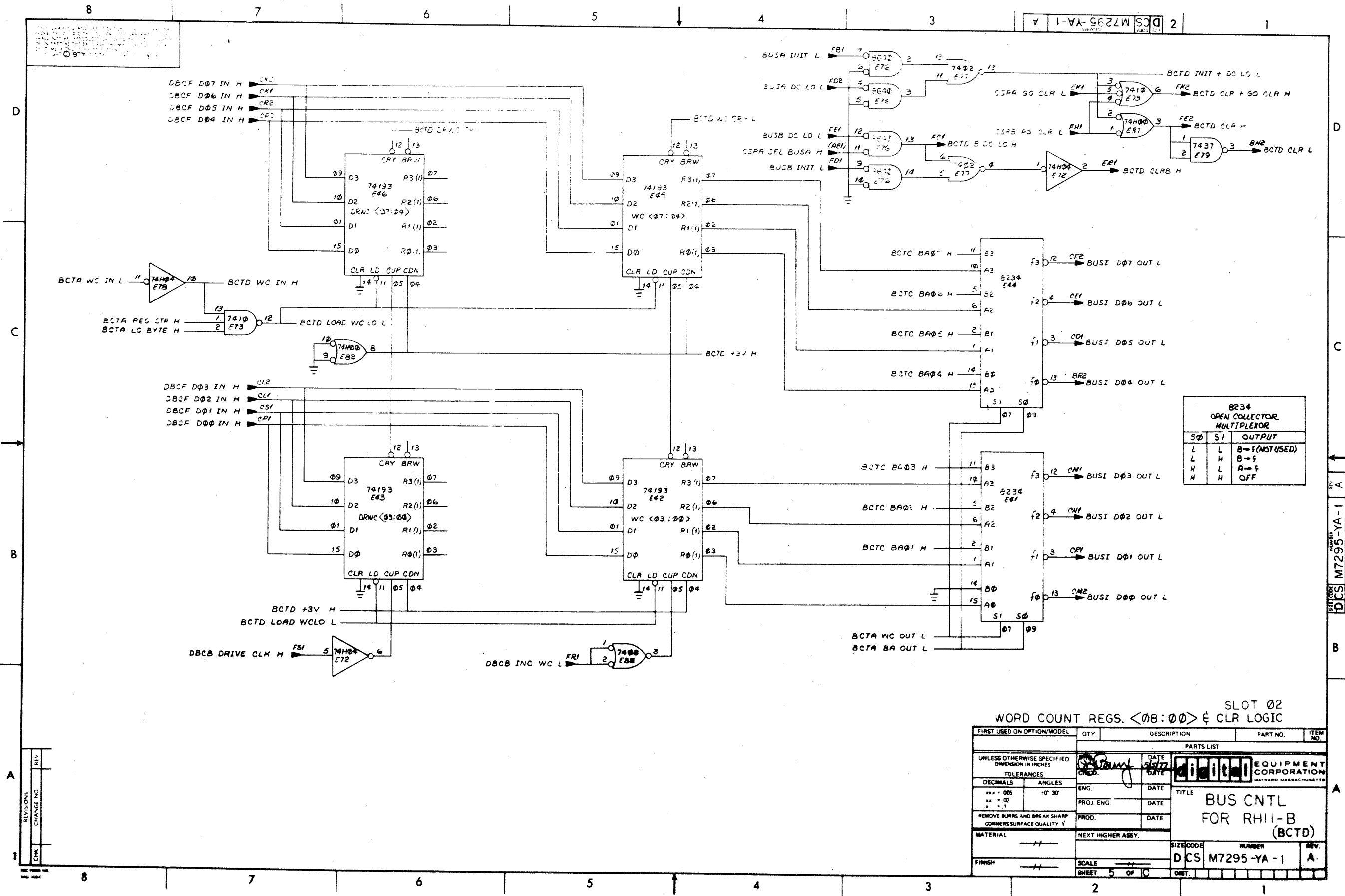


SLOT 02
BUS ADDR REG

FIRST USED ON OPTION/MODEL	QTY.	DESCRIPTION	PART NO.	ITEM NO.
PARTS LIST				
UNLESS OTHERWISE SPECIFIED DIMENSION IN INCHES				
TOLERANCES				
DECIMALS	ANGLES	ENG.	DATE	 EQUIPMENT CORPORATION MAINTARD MASSACHUSETTS
xxx = .005	.030	PROJ. ENG.	DATE	
.xx = .02		PROD.	DATE	
.x = .1				
REMOVE BURRS AND BREAK SHARP CORNERS SURFACE QUALITY 1				
MATERIAL		NEXT HIGHER ASSY.		
FINISH		SCALE		
SHEET 4 OF 10		DST.		
TITLE			SIZE CODE	REV.
BUS CNTL FOR RH11-B (BCTC)			DCS M7295-YA-1	A

REVISIONS
REV. CHANGE LOG

REV. A
DCS M7295-YA-1



8234
OPEN COLLECTOR
MULTIPLEXOR

S0	S1	OUTPUT
L	L	B=f (NOT USED)
L	H	B=f
H	L	A=f
H	H	OFF

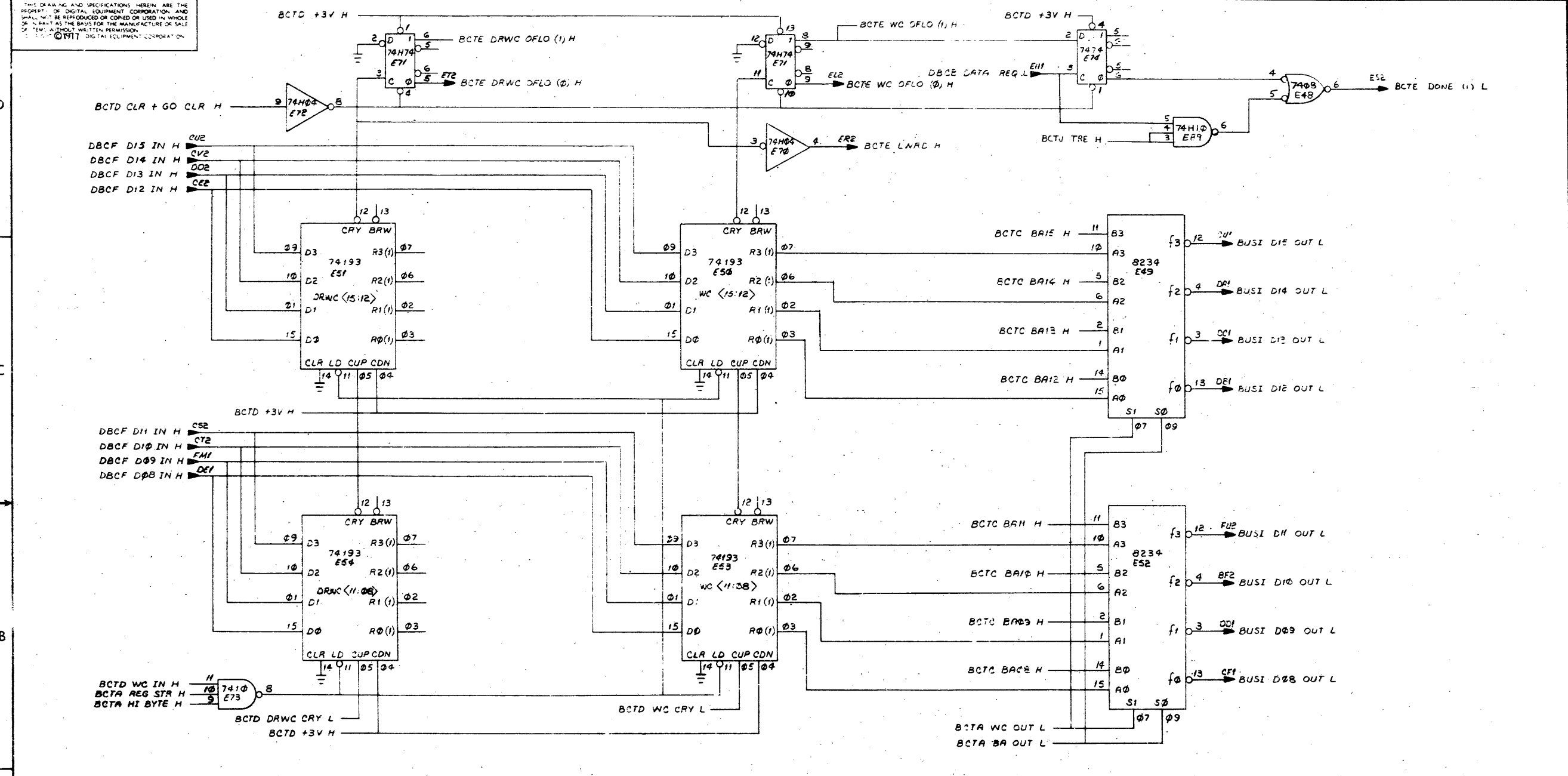
SLOT 02
WORD COUNT REGS. <08:00> & CLR LOGIC

FIRST USED ON OPTION/MODEL	QTY.	DESCRIPTION	PART NO.	ITEM NO.
PARTS LIST				
UNLESS OTHERWISE SPECIFIED DIMENSION IN INCHES		DATE	EQUIPMENT CORPORATION NATWAD, MASSACHUSETTS	
TOLERANCES		DATE	TITLE	
DECIMALS	ANGLES	ENG.	BUS CNTL FOR RH11-B (BCTD)	
XXX + 0.05	-0.0030	PROJ. ENG.	DATE	
REMOVE BURRS AND BREAK SHARP CORNERS SURFACE QUALITY V		PROD.	DATE	
MATERIAL		NEXT HIGHER ASSEMBLY		
FINISH	SCALE	SIZE CODE	NUMBER	REV.
	SHEET 5 OF 10	DCS	M7295-YA-1	A

REVISIONS

NO.	CHANGE NO.	REV.
1		

DCS M7295-YA-1

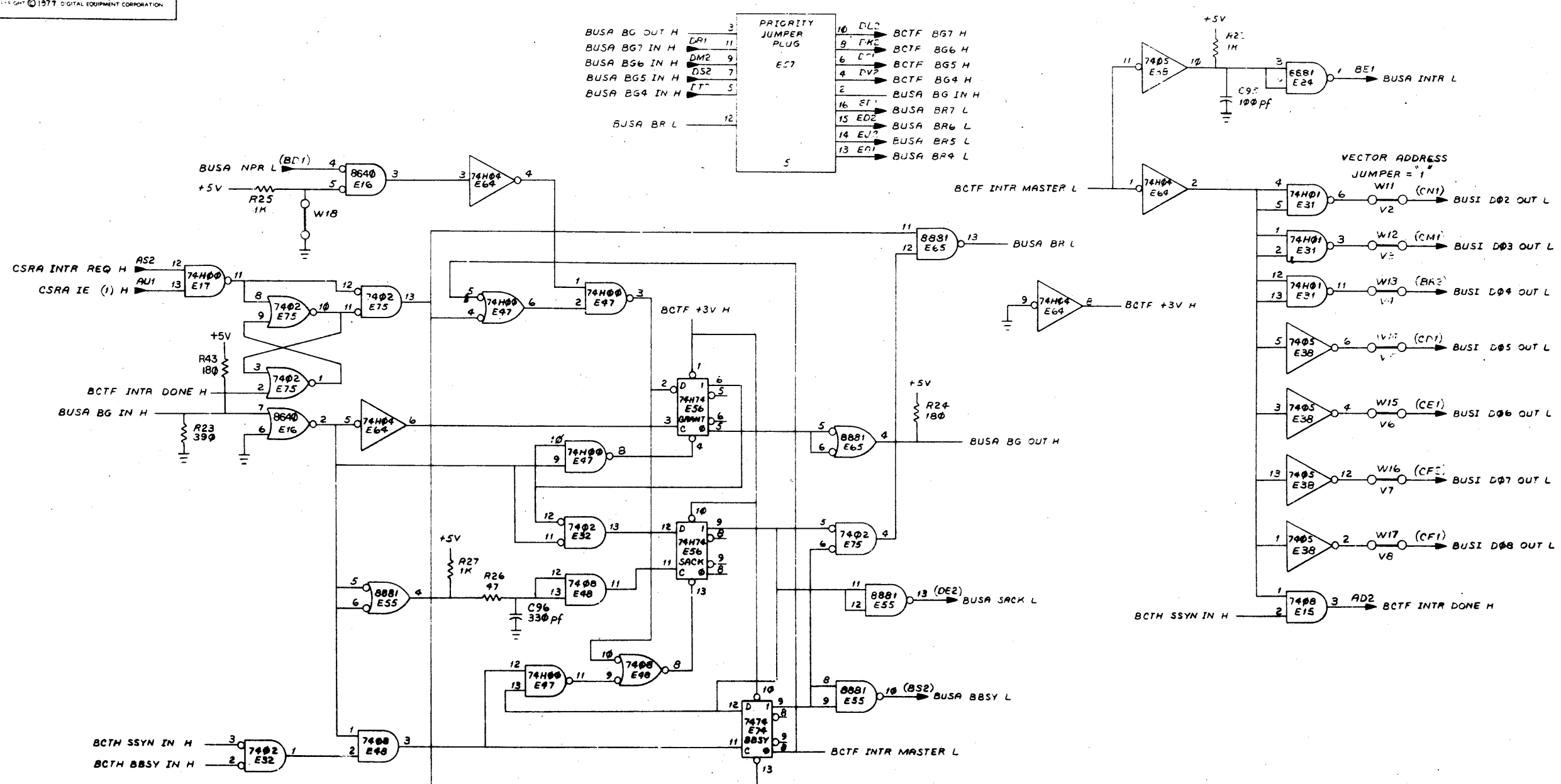
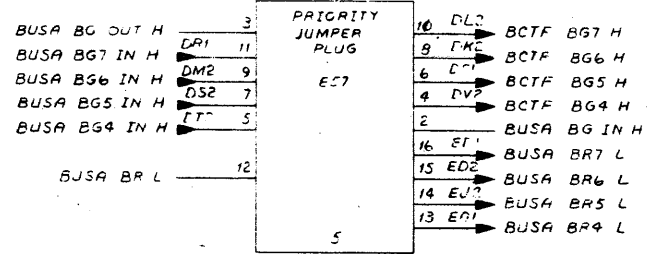


SLOT 02
WORD COUNT REGS. <15:08>

FIRST USED ON OPTION/MODEL	QTY.	DESCRIPTION	PART NO.	ITEM NO.
PARTS LIST				
UNLESS OTHERWISE SPECIFIED DIMENSION IN INCHES		DATE	EQUIPMENT CORPORATION MAYNARD, MASSACHUSETTS	
TOLERANCES		DATE	TITLE	
DECIMALS	ANGLES	ENG.	DATE	BUS CNTL FOR RHII-B (BCTE)
.xxx = .005	.0 30'	PROJ. ENG.	DATE	
.xx = .02		PROD.	DATE	
REMOVE BURRS AND BREAK SHARP CORNERS SURFACE QUALITY Y		NEXT HIGHER ASSY.		SIZE CODE
MATERIAL				NUMBER
FINISH		SCALE		REV.
		SHEET 6 OF 10		DIST.

DCS M7295-YA-1 A

THIS DRAWING AND SPECIFICATIONS HEREIN ARE THE PROPERTY OF DIGITAL EQUIPMENT CORPORATION AND SHALL NOT BE REPRODUCED OR COPIED OR USED IN WHOLE OR IN PART AS THE BASIS FOR THE MANUFACTURE OR SALE OF ITEMS WITHOUT WRITTEN PERMISSION.
 © 1977 DIGITAL EQUIPMENT CORPORATION



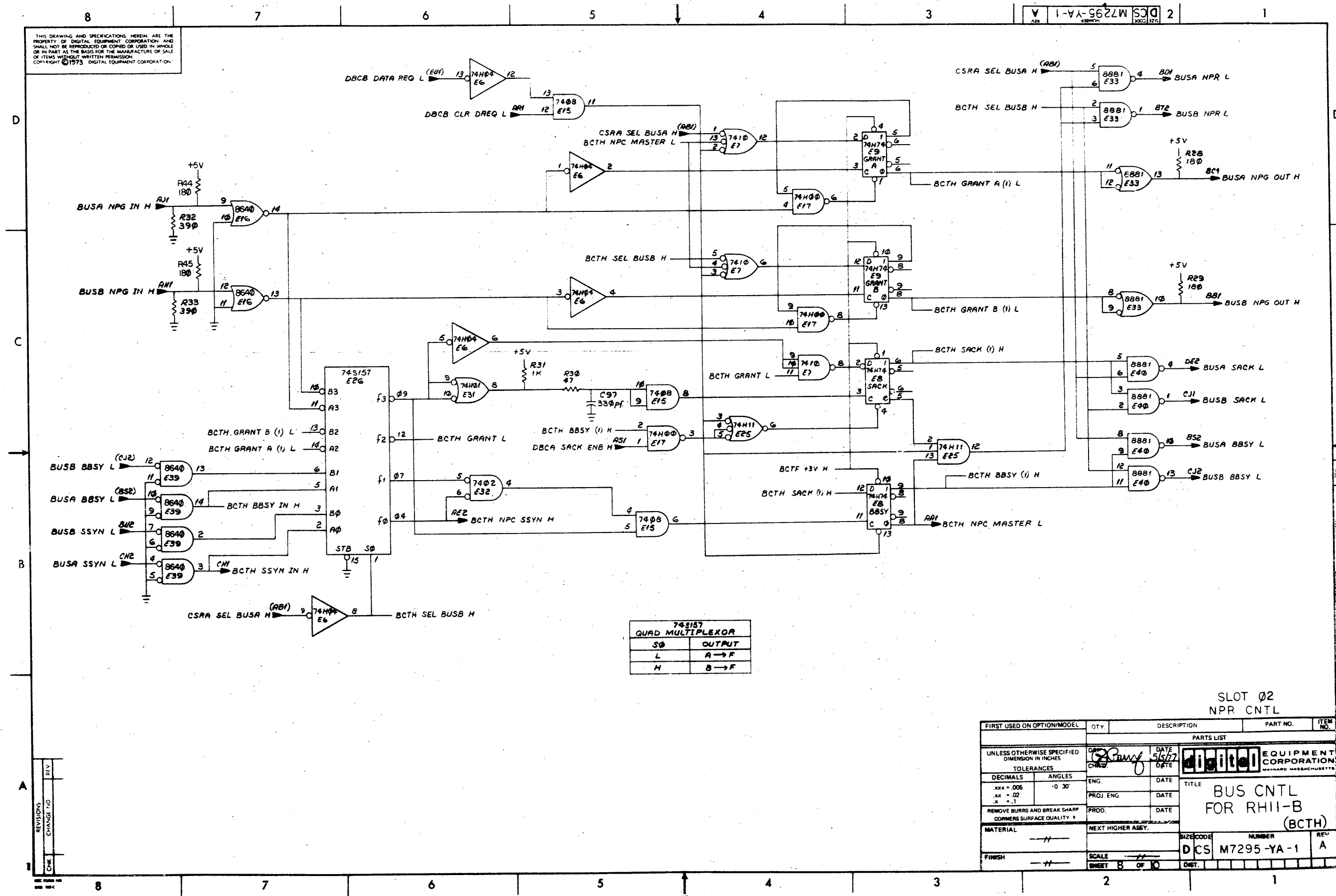
SLOT 02
 INTERRUPT CNTL

FIRST USED OR OPTION/MODEL	QTY.	DESCRIPTION	PART NO.	ITEM NO.
PARTS LIST				
UNLESS OTHERWISE SPECIFIED DIMENSION IN INCHES	DRN. <i>J. Vincent</i>	DATE 1-24-78	EQUIPMENT CORPORATION BATHURST MASSACHUSETTS	
TOLERANCES	CHK'D.	DATE		
DECIMALS	ANGLES	ENG.	DATE	TITLE BUS CNTL FOR RH11-B (DCTF)
.XX = .005	:0' 30"	PROJ. ENG.	DATE	
.X = .02		PROD.	DATE	
REMOVE BURRS AND BREAK SHARP CORNERS SURFACE QUALITY Y	NEXT HIGHER ASSY.		DATE	
MATERIAL	FINISH	SCALE	DATE	
		7 OF 10		
		DCS M7295-YA-1		

REVISIONS	NO.	REV.
CHK		

DCS M7295-YA-1 A

THIS DRAWING AND SPECIFICATIONS HEREIN ARE THE PROPERTY OF DIGITAL EQUIPMENT CORPORATION AND SHALL NOT BE REPRODUCED OR COPIED OR USED IN WHOLE OR IN PART AS THE BASIS FOR THE MANUFACTURE OR SALE OF ITEMS WITHOUT WRITTEN PERMISSION. COPYRIGHT © 1973 DIGITAL EQUIPMENT CORPORATION.



74S157 QUAD MULTIPLEXOR	
S0	OUTPUT
L	A → F
H	B → F

REV	DATE	BY	CHKD
1			

SLOT 02
NPR CNTL

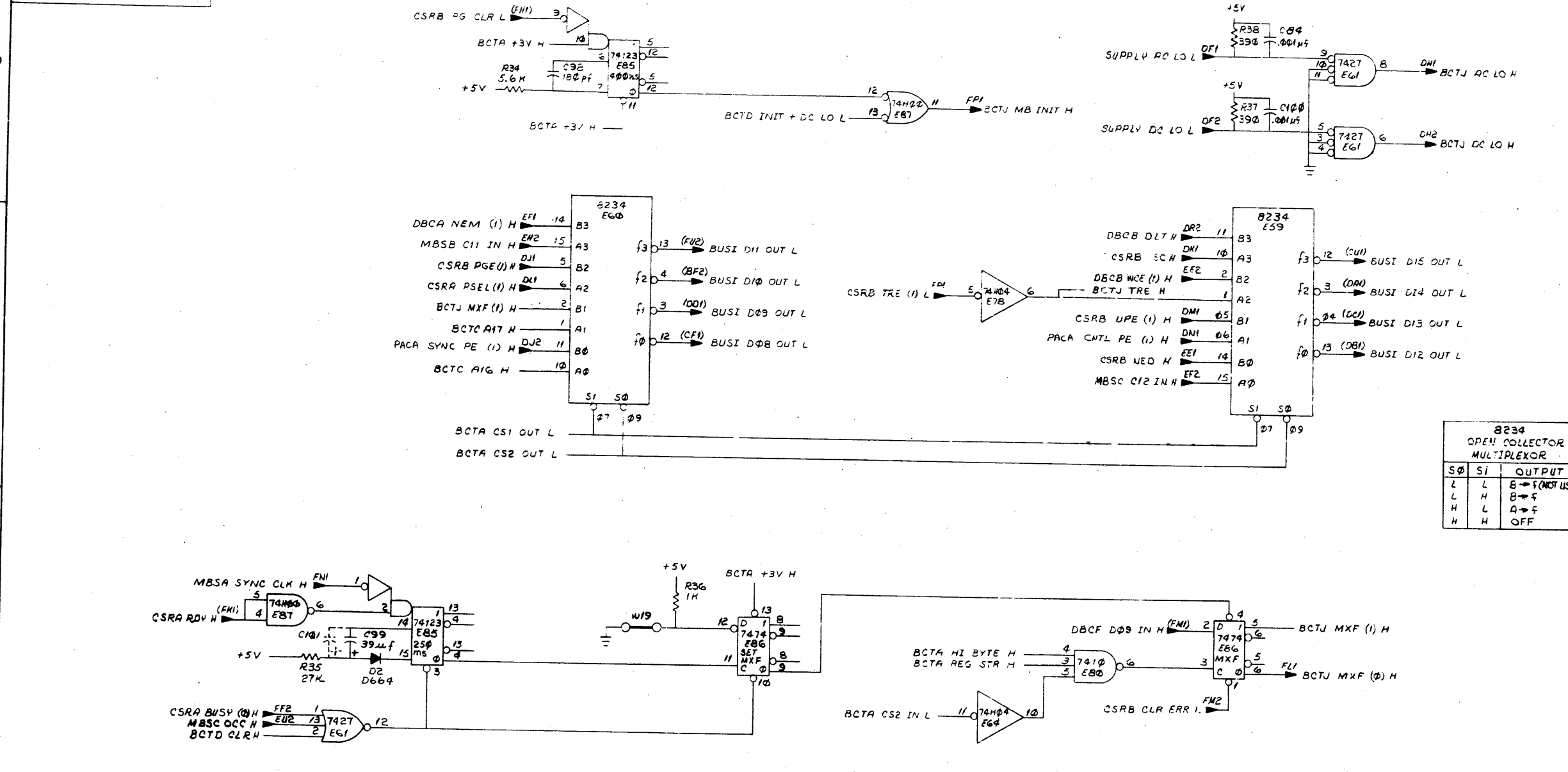
FIRST USED ON OPTION/MODEL	QTY.	DESCRIPTION	PART NO.	ITEM NO.
PARTS LIST				
UNLESS OTHERWISE SPECIFIED DIMENSION IN INCHES				
TOLERANCES				
DECIMALS	ANGLES	ENG.	DATE	
.XXX = .006	.0 30'	PROJ. ENG.	DATE	
.XX = .02		PROD.	DATE	
REMOVE BURRS AND BREAK SHARP CORNERS SURFACE QUALITY 1				
MATERIAL	---	NEXT HIGHER ASSY.	SIZE CODE	NUMBER
FINISH	---	SCALE	---	---
			DCS M7295-YA-1	REV. A
			SHEET 8 OF 10	

TITLE
BUS CNTL
FOR RH11-B
(BCTH)

DCS M7295-YA-1

THIS DRAWING AND SPECIFICATION HEREIN ARE THE PROPERTY OF DIGITAL EQUIPMENT CORPORATION AND SHALL NOT BE REPRODUCED OR COPIED OR USED IN WHOLE OR IN PART AS THE BASIS FOR THE MANUFACTURE OF ITEMS WITHOUT THE WRITTEN PERMISSION OF DIGITAL EQUIPMENT CORPORATION.

DCS M7295-YA-1



8234 OPEN COLLECTOR MULTIPLEXOR		
SΦ	SI	OUTPUT
L	L	B → F (NOT USED)
L	H	B → F
H	L	A → F
H	H	OFF

SLOT 02
MXF; DATA OUT MPX; MB INIT

FIRST USED ON OPTION MODEL	QTY	DESCRIPTION	PART NO.	ITEM NO.	
RH11					
PARTS LIST					
UNLESS OTHERWISE SPECIFIED DIMENSION IN INCHES		DATE	digital EQUIPMENT CORPORATION		
TOLERANCES		DATE	MAY 1977		
DECIMALS	ANGLES	ENG.	DATE	TITLE	
XXX .005	.0 30	PROJ. ENG.	DATE	BUS CNTL FOR RH11-B (BCTJ)	
REMOV BURRS AND BREAK SHARP CORNERS SURFACE QUALITY 1		PROD.	DATE	MATERIAL	
MATERIAL		NEXT HIGHER ASSY.			SIZE CODE
FINISH		SCALE			NUMBER
		SHEET 9 OF 10			REV.
		DIST.			

"THIS DRAWING AND SPECIFICATIONS HEREIN ARE THE PROPERTY OF DIGITAL EQUIPMENT CORPORATION AND SHALL NOT BE REPRODUCED OR COPIED OR USED IN WHOLE OR IN PART AS THE BASIS FOR THE MANUFACTURE OR SALE OF ITEMS WITHOUT WRITTEN PERMISSION. COPYRIGHT © 1977 DIGITAL EQUIPMENT CORPORATION"

V 1-W-9627WMSD 2

REGISTER SELECT PROM - 23040A1 (8223)

OCTAL ADDR	LOC/REM							
	M7	M6	M5	M4	M3	M2	M1	M0
00	L	L	L	L	L	L	L	L
01	H	L	H	L	L	L	H	H
02	H	H	H	L	L	L	L	L
03	H	H	L	L	L	H	L	H
04	H	H	H	L	L	L	H	L
05	H	H	L	L	L	L	L	H
06	H	H	L	L	L	L	H	L
07	L	H	L	L	L	H	L	L
10	H	H	L	L	L	H	H	H
11	H	H	H	L	L	L	L	H
12	H	H	L	L	L	L	H	H
13	H	H	L	L	L	H	H	L
14	H	H	L	L	H	L	L	L
15	H	L	L	L	H	L	L	L
16	H	H	L	L	H	L	H	L
17	H	H	L	L	H	L	H	H
20	H	H	L	L	H	H	L	L
21	H	H	L	L	H	H	L	H
22	H	H	L	L	H	H	H	L
23	H	H	L	L	H	H	H	H
24	H	H	L	H	L	L	L	L
25	H	H	L	H	L	L	L	H
26	H	H	L	H	L	L	H	L
27	H	H	L	H	L	L	H	H
30	H	H	L	H	L	H	L	L
31	H	H	L	H	L	H	L	H
32	H	H	L	H	L	H	H	L
33	H	H	L	H	L	H	H	H
34	H	H	L	H	H	L	L	L
35	H	H	L	H	H	L	L	H
36	H	H	L	H	H	L	H	L
37	H	H	L	H	H	L	H	H

- REGISTER SELECTED
- RHCSI & MASSBUS (00)
 - RHWC
 - RHBA
 - MASSBUS (05)
 - RHCS2
 - MASSBUS (01)
 - MASSBUS (02)
 - MASSBUS (04)
 - MASSBUS (07)
 - RHDB
 - MASSBUS (03)
 - MASSBUS (06)
 - MASSBUS (10)
 - MASSBUS (12)
 - MASSBUS (13)
 - MASSBUS (14)
 - MASSBUS (15)
 - MASSBUS (16)
 - MASSBUS (17)
 - MASSBUS (20)
 - MASSBUS (21)
 - MASSBUS (22)
 - MASSBUS (23)
 - MASSBUS (24)
 - MASSBUS (25)
 - MASSBUS (26)
 - MASSBUS (27)
 - MASSBUS (30)
 - MASSBUS (31)
 - MASSBUS (32)
 - MASSBUS (33)

D
C
B
A

D
C
B
A

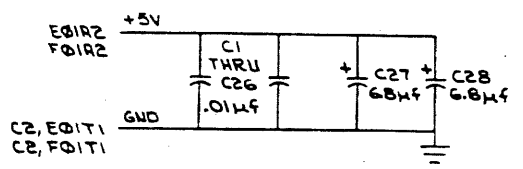
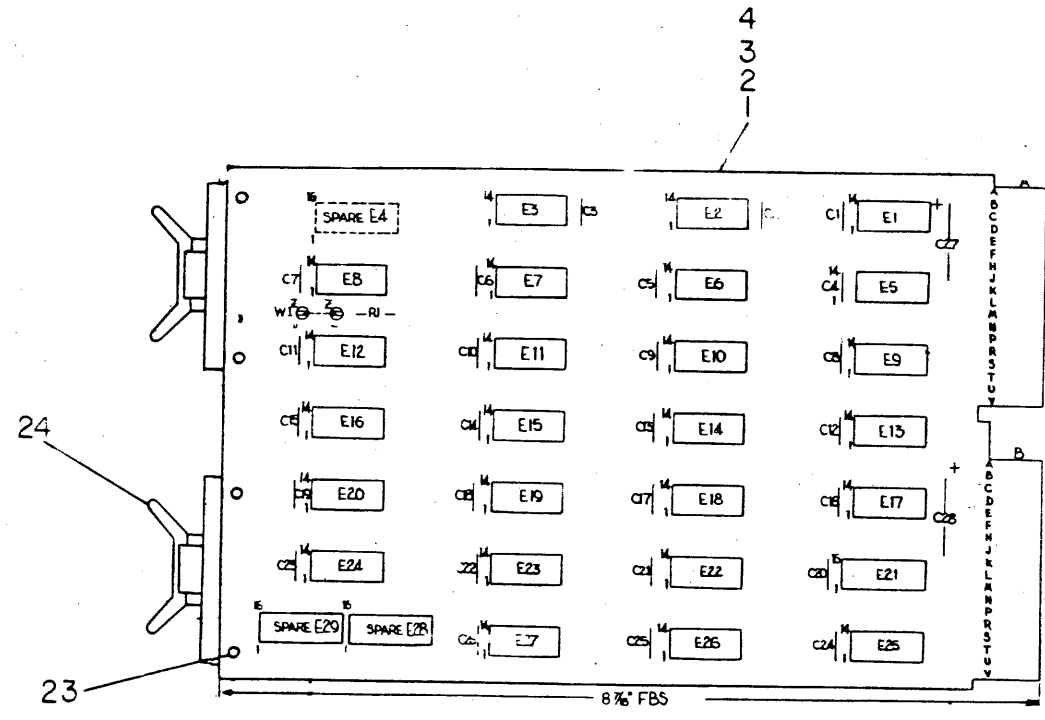
REVISIONS
DATE
BY
CHKD
DATE

PROM TRUTH TABLE

FIRST USED ON OPTION/MODEL	QTY.	DESCRIPTION	PART NO.	ITEM NO.
PARTS LIST				
UNLESS OTHERWISE SPECIFIED DIMENSION IN INCHES	DR	DATE	DIGITAL EQUIPMENT CORPORATION MAYNARD MASSACHUSETTS	
TOLERANCES	CHK'D	DATE	TITLE BUS CNTL FOR RH11-B (BCTK)	
DECIMALS ANGLES	ENG.	DATE	DRAWING NO. NUMBER	
.XXX = .005 .XX = .02 .X = .1	PROJ. ENG.	DATE	D CS M7295-YA-1	
REMOVE BURRS AND BREAK SHARP CORNERS SURFACE QUALITY Y	PROD.	DATE	REV. A	
MATERIAL	NEXT HIGHER ASSY.			
FINISH	SCALE			

This drawing and specifications, herein, are the property of Digital Equipment Corporation and shall not be reproduced or stored in any form or in any manner without the written permission of Digital Equipment Corporation. COPYRIGHT © 1972 DIGITAL EQUIP CORP

NOTES:
 1. PIN NOTATION THROUGHOUT IS ORDERED UPON MODULE PLACEMENT IN THE RH11. MODULE PIN REFERENCE ALONE IS OBTAINED BY DELETING THE NUMBER (SLOT LOCATION) AFTER THE FIRST LETTER AND CONVERTING THE FIRST LETTER ACCORDING TO THE PIN NOMENCLATURE CHART AT RIGHT.



PIN NOMENCLATURE

MODULE	RH11
A	E
B	F

QTY	REF DESIGNATION	DESCRIPTION	PART NO.	ITEM NO.
2		HANDLE, FLIP CHIP	9008337-6	24
4		EYELET	9006732	23
2		SPLIT LUG	9006735	22
1	E21	IC DEC 74175	1910631	21
2	E8, E11	IC DEC 7408	1910155	20
1	E5	IC DEC 7437	1910091	19
3	E10, E13, E26	IC DEC 74H04	1909931	18
3	E3, E24, E25	IC DEC 74H74	1909667	17
3	E16, E23, E27	IC DEC 74H11	1909267	16
1	E22	IC DEC 74H30	1909059	15
1	E6	IC DEC 74H10	1909057	14
1	E9	IC DEC 74H00	1909056	13
1	E20	IC DEC 7402	1909004	12
1	E19	IC DEC 7420	1905577	11
1	E14	IC DEC 7410	1905576	10
3	E1, E2, E17	IC DEC 7400	1905575	9
4	E12, E15, E7, E18	IC DEC 7474	1905547	8
1	R1	RESISTOR 1K 1/4W 5%	1300365	7
2	C27, C28	CAP 6.8uF 35V 10% TANT	1005306	6
26	C1 THRU C26	CAP .01uF 50V 20% AXIAL CER	1001610	5
1		ETCHED CIRCUIT BOARD	3010429	4
REF		MODULE ECO HISTORY	B-MH-M7296-B-6	3
REF		ASSY/DRILLING HOLE LAYOUT	D-AH-M7296-B-5	2
REF		X-Y COORDINATE HOLE LOCATION	X-CO-M7296-B-4	1

QTY	REF DESIGNATION	DESCRIPTION	PART NO.	ITEM NO.
1		ETCHED CIRCUIT BOARD	3010429	4
REF		MODULE ECO HISTORY	B-MH-M7296-B-6	3
REF		ASSY/DRILLING HOLE LAYOUT	D-AH-M7296-B-5	2
REF		X-Y COORDINATE HOLE LOCATION	X-CO-M7296-B-4	1

DEC 74175	B	16
IC TYPE	GND	+5V
GND AND 5V ARE USUALLY PIN 7 AND 14 RESPECTIVELY. EXCEPTIONS ARE STATED ABOVE.		
IC PIN LOCATIONS		

digital EQUIPMENT CORPORATION
 MAYNARD, MASSACHUSETTS

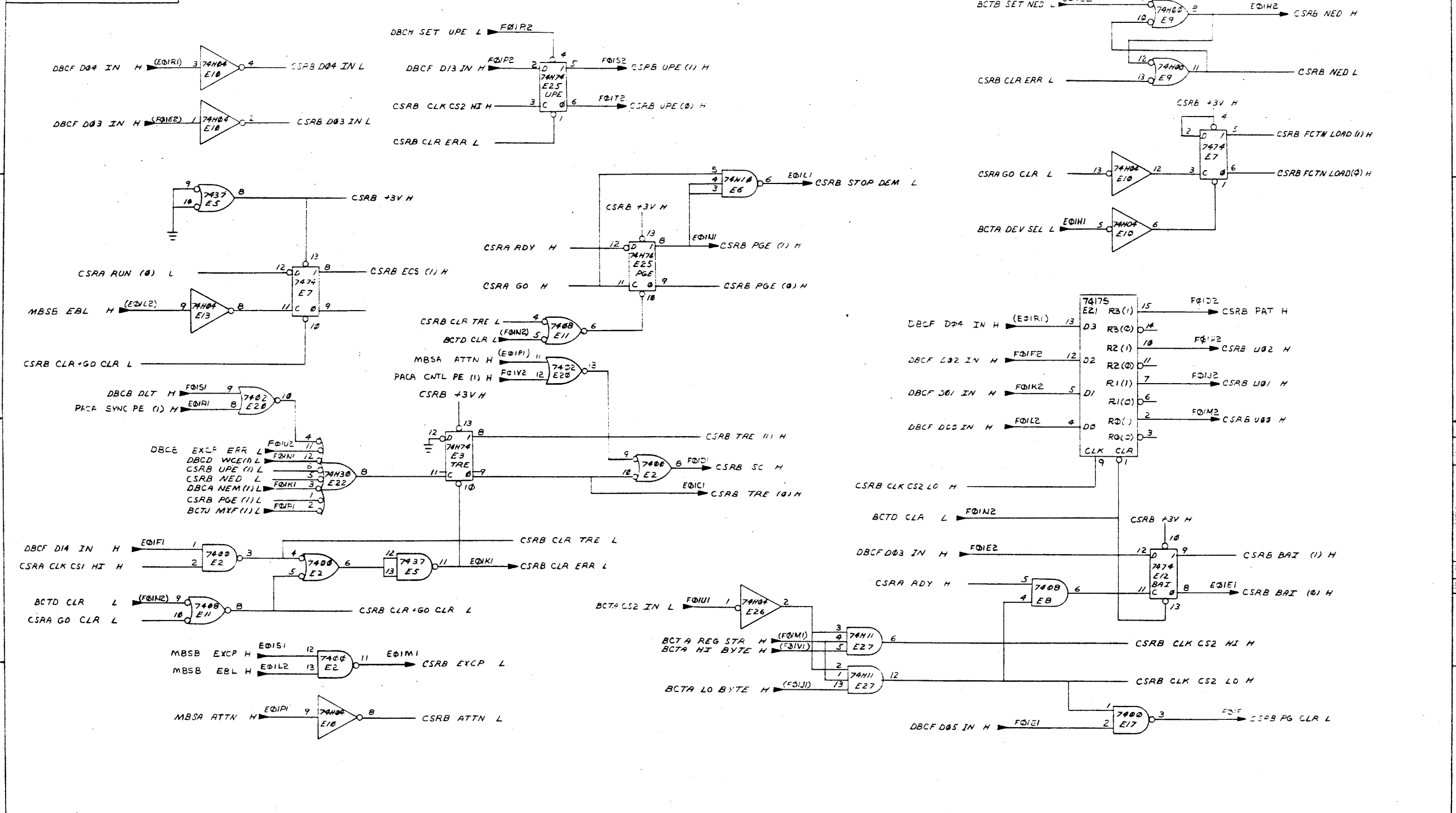
CONTROL & STATUS REGS (CSR)

DATE: 3-15-78
 SCALE: NONE
 SHEET: 1 OF 3

SIZE: CODE D1CS NUMBER: M7296-0-1 REV: B

DEC FORM NO. 980-125A

THIS DRAWING AND SPECIFICATIONS HEREIN ARE THE PROPERTY OF DIGITAL EQUIPMENT CORPORATION AND SHALL NOT BE REPRODUCED OR COPIED OR USED IN WHOLE OR IN PART AS THE BASIS FOR THE MANUFACTURE OR SALE OF ITEMS WITHOUT THE WRITTEN PERMISSION OF DEC © 1973 DIGITAL EQUIPMENT CORPORATION

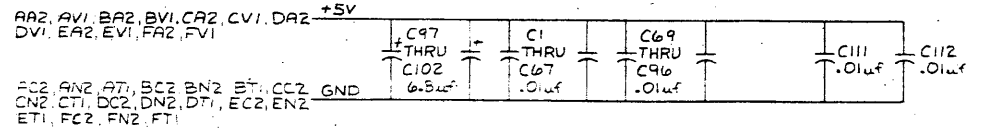
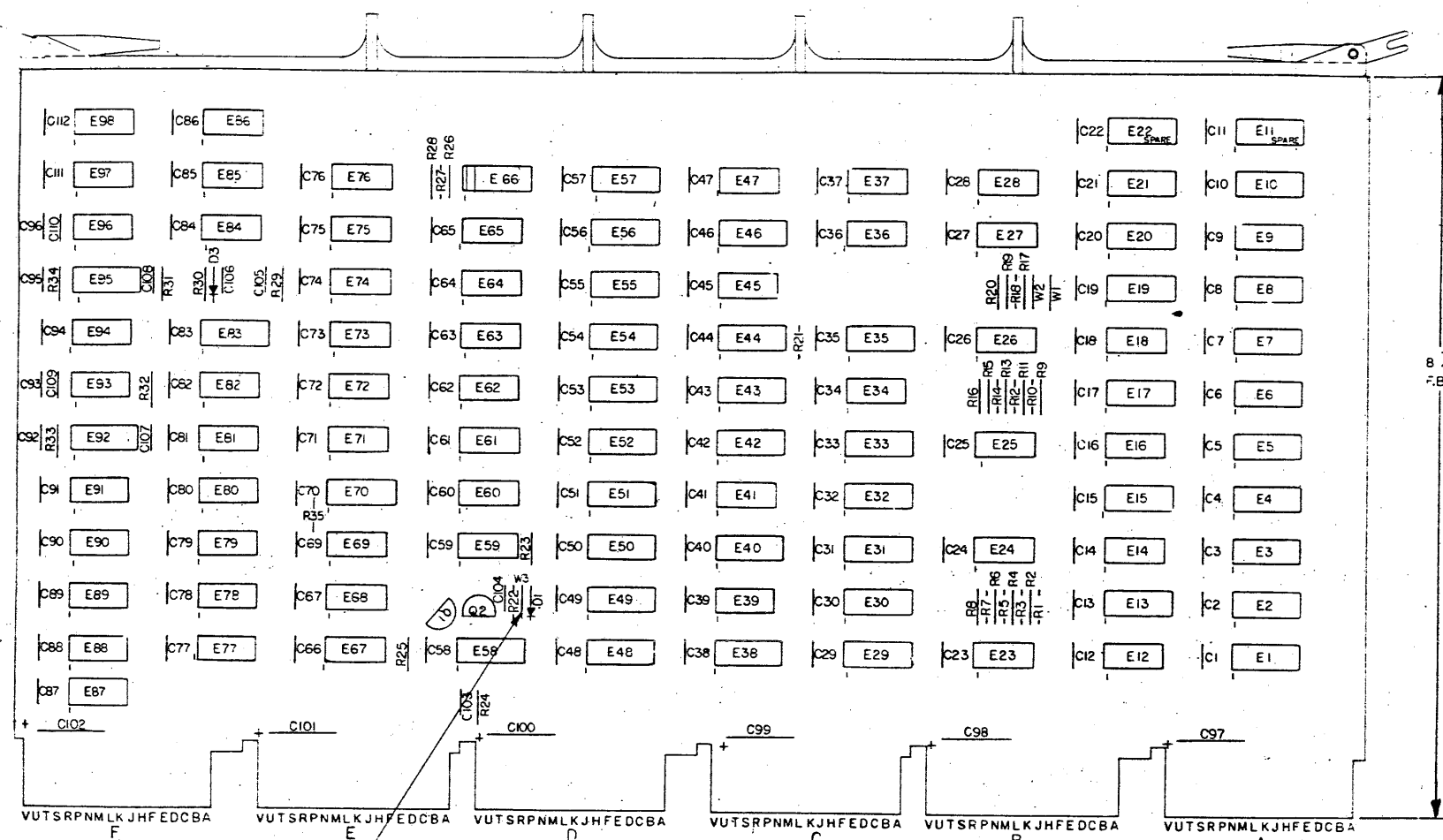


REVISIONS		
CHK	CHANGE NO	REV

This drawing and specifications herein are the property of Digital Equipment Corporation and shall not be reproduced or copied or used in whole or in part as the basis for the manufacture of any product without written permission of Digital Equipment Corporation.

NOTES:
1. W3 SHOULD NOT BE REMOVED FOR ANY PURPOSE.

D
C
B
A



DEC NO.	QTY	DESCRIPTION
DEC 8234	8	16
DEC 3341	8	16
DEC 8641	8	16
DEC 7457	8	16
DEC 7474	8	16
DEC 7423	8	16
IC TYPE		GND +5V
GND AND 5V ARE USUALLY PIN 7 AND 14 RESPECTIVELY. EXCEPTIONS ARE STATED ABOVE.		
IC PIN LOCATIONS		

BRUNING 40-522 18599
DEC FORM NO. 080-1354

8

7

6

5

4

3

2

1

REF	QTY	REF DESIGNATION	DESCRIPTION	PART NO.	ITEM NO.
REF			X-Y COORDINATE HOLE LOCATION	K-00-M7294-B-4	1
REF			ASSEMBLING HOLE LAYOUT	D-MH-M7294-B-5	2
REF			MODULE ECO HISTORY	B-MH-M7294-B-6	3
1			ETCHED CIRCUIT BOARD	5010427	4
1	1	C105	CAP 33 PF 5% 100V DM	1000010	5
1	1	C103	CAP 56 PF 5% 100V DM	1000012	6
2	2	C106, C103	CAP 62 PF 5% 100V DM	1000013	7
1	1	C107	CAP 220 PF 5% 100V DM	1000021	8
90	1	C1 THRU C57, C69 THRU C96, C104, C111, C112	CAP .01 UF 20% 100V DISC	1001610-00	9
1	1	C108	CAP 2400 PF 5% 100V DM	1001636	10
1	1	C110	CAP 15 PF 5% 100V DM	1002427	11
6	6	C97 THRU C102	CAP 6 B UF 10% 35V TANT	1005306	12
1	1	D3	DIODE D664	1100114	13
1	1	D1	DIODE ZENER 1N9645	1109933	14
23	23	R1 THRU R17, R20, R21, R23, R25, R27, R28	RES 1K 5% 1/4W	1300365	15
2	2	R22, R30	RES 15K 5% 1/4W	1300496	16
2	2	R18, R19	RES 750 5% 1/4W	1301401	17
8	8	R24, R25, R29, R31, THRU R35	RES 5.6K 5% 1/4W	1301874	18
1	1	Q2	TRANS 2N3506	1509525	19
1	1	Q1	TRANS 2N5459	1509374	20
1	1	E66	I.C. COMPONENT CARRIER	1211323	21
1	1	E73	I.C. DEC 7474	1905547	22
1	1	E79	I.C. DEC 7410	1905576	23
2	2	E76, E77	I.C. DEC 74H50	1909060	24
2	2	E67, E86	I.C. DEC 74H53	1909062	25
3	3	E71, E78, E89	I.C. DEC 7402	1909004	26
4	4	E27, E75, E96, E98	I.C. DEC 7400C	1909056	27
2	2	E94, E97	I.C. DEC 74H10	1909057	28
2	2	E59, E82	I.C. DEC 7403C	1909059	29
3	3	E68, E28, E84	I.C. DEC 74H11	1909067	30
6	6	E36, E37, E50, E81, E85, E87	I.C. DEC 74H74	1909067	31
5	5	E12, E14, E16, E18, E88	I.C. DEC 8881	1909705	32
5	5	E34, E39, E41, E45, E47	I.C. DEC 8242	1909712	33
8	8	E23 THRU E26, E51, E74, E82, E83	I.C. DEC 74H04	1909831	34
2	2	E54, E85	I.C. DEC 74191	1910035	35
1	1	E83	I.C. GEI 7437	1910091	36
2	2	E80, E90	I.C. DEC 7408	1910155	37
5	5	E58, E70, E83, E92, E95	I.C. DEC 74123	1910436	38
6	6	E38, E42, E44, E50, E53, E56	I.C. DEC 74174	1910652	39
11	11	E2, E4, E6, E8, E10, E21, E43, E49, E51, E55, E57	I.C. DEC 74157	1910655	40
10	10	E1, E3, E5, E7, E9, E13, E15, E17, E19, E20	I.C. DEC 864	1911579	41
6	6	E29, THRU E33, E35	I.C. DEC 8234	1911315	42
5	5	E40, E46, E48, E52, E54	I.C. DEC 3341	2111188	43
1	1		HANDLE MODULE	1210711-2	44
12	12		EYELET	9006732	45
1	1	E72	IC DEC 74500	1910532	46
1	1	E69	IC DEC 74564	1910542	47
1	1	E93	IC DEC 74574	1910544	48
			TRANSISTOR CAP	3009884	49
			RESISTOR ELEMENT	3009157	50
3	3	W1, W2, W3	JUMPER, INSULATED	9009185	51
2	2	(SEE E66)	JUMPER WIRE	9107560-01	52

DEC NO.	EIA NO.	DEC NO.	EIA NO.
DEC 8234	8	DEC 8234	8
DEC 3341	8	DEC 3341	8
DEC 8641	8	DEC 8641	8
DEC 7457	8	DEC 7457	8
DEC 7474	8	DEC 7474	8
DEC 7423	8	DEC 7423	8

SEMICONDUCTOR CONVERSION CHART

digital EQUIPMENT CORPORATION
MAYNARD, MASSACHUSETTS

TITLE: DATA BUFFER & CONTROL (DBC)

DATE: 7/27/73

SCALE: NONE

SHEET 1 OF 9

SIZE CODE: DICS NUMBER: M7294-0-1 REV: K

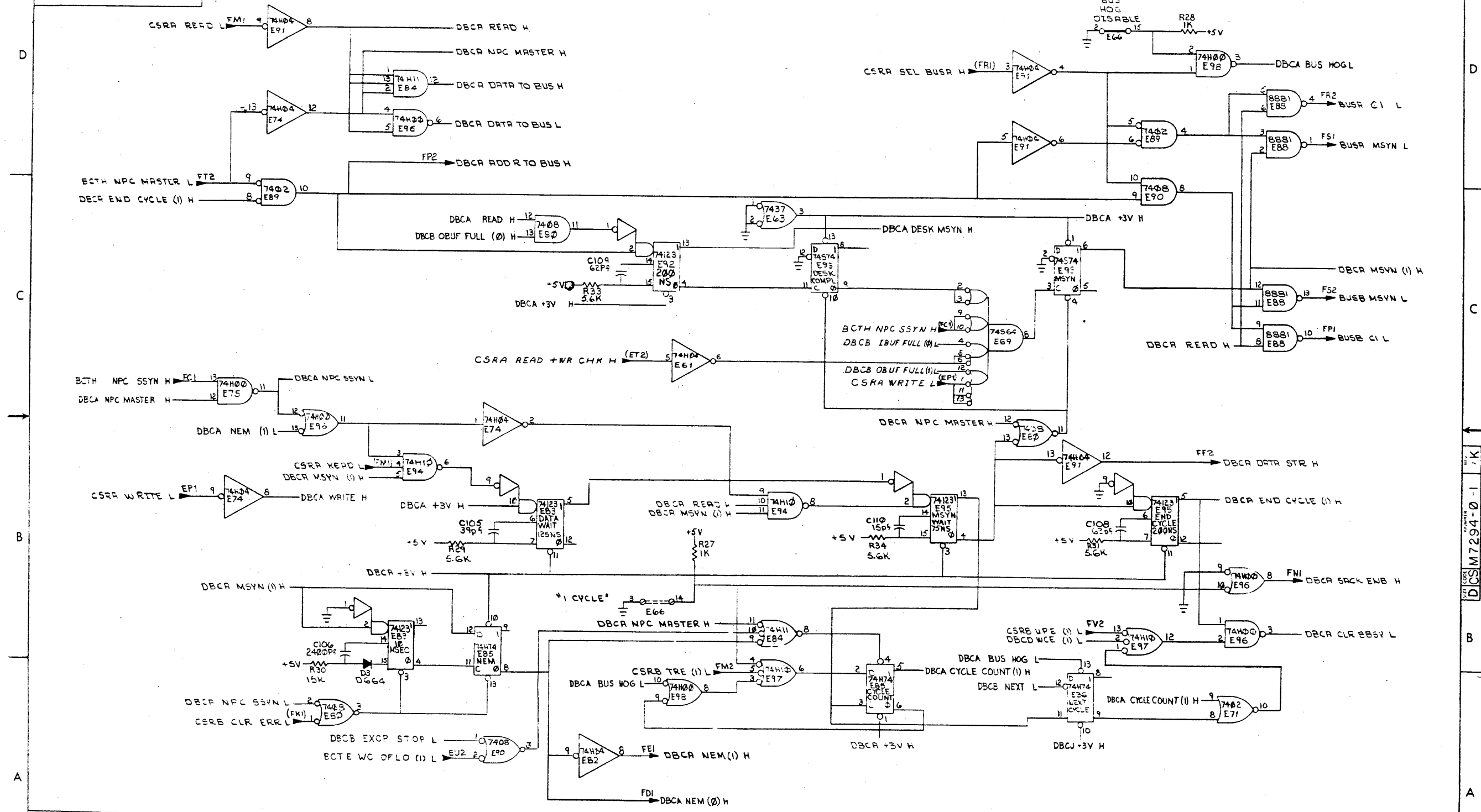
D
C
B
A

1
2
3
4
5
6
7
8
9
10
11
12
13
14
15
16
17
18
19
20
21
22
23
24
25
26
27
28
29
30
31
32
33
34
35
36
37
38
39
40
41
42
43
44
45
46
47
48
49
50
51
52

A

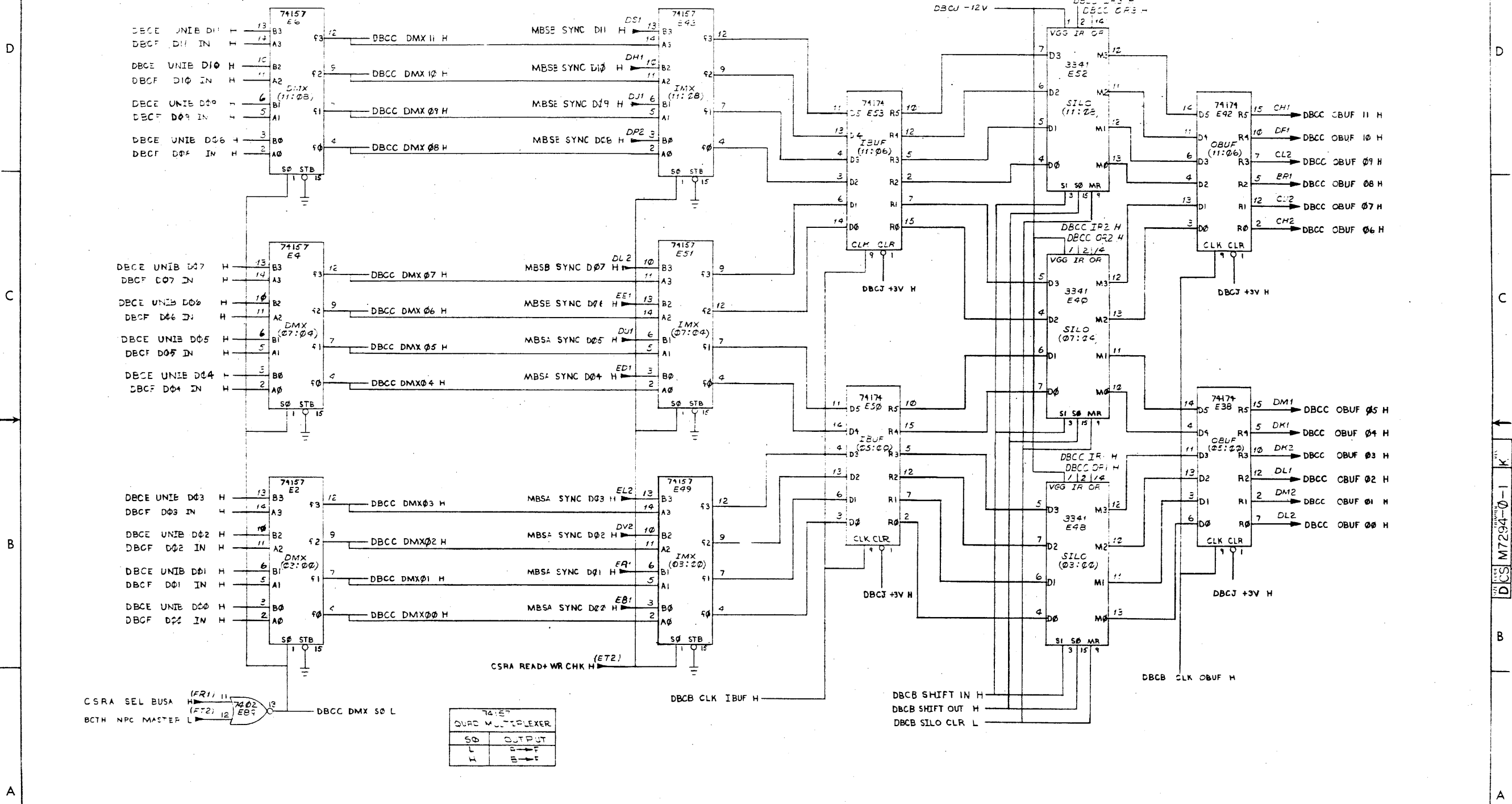
TW

ALL DIMENSIONS AND SPECIFICATIONS HEREIN ARE THE PROPERTY OF DIGITAL EQUIPMENT CORPORATION AND SHALL NOT BE REPRODUCED OR COPIED OR USED IN WHOLE OR IN PART AS THE BASIS FOR THE MANUFACTURE OR SALE OF ANY EQUIPMENT WITHOUT THE WRITTEN PERMISSION OF DIGITAL EQUIPMENT CORPORATION.



REV.	DESCRIPTION	DATE

THIS DRAWING AND SPECIFICATIONS HEREIN ARE THE PROPERTY OF DIGITAL EQUIPMENT CORPORATION AND SHALL NOT BE REPRODUCED IN ANY MANNER OR IN ANY MEDIUM WITHOUT THE WRITTEN PERMISSION OF DIGITAL EQUIPMENT CORPORATION.



74157 QUAD MULTIPLEXER	
S0	OUTPUT
L	→
H	→

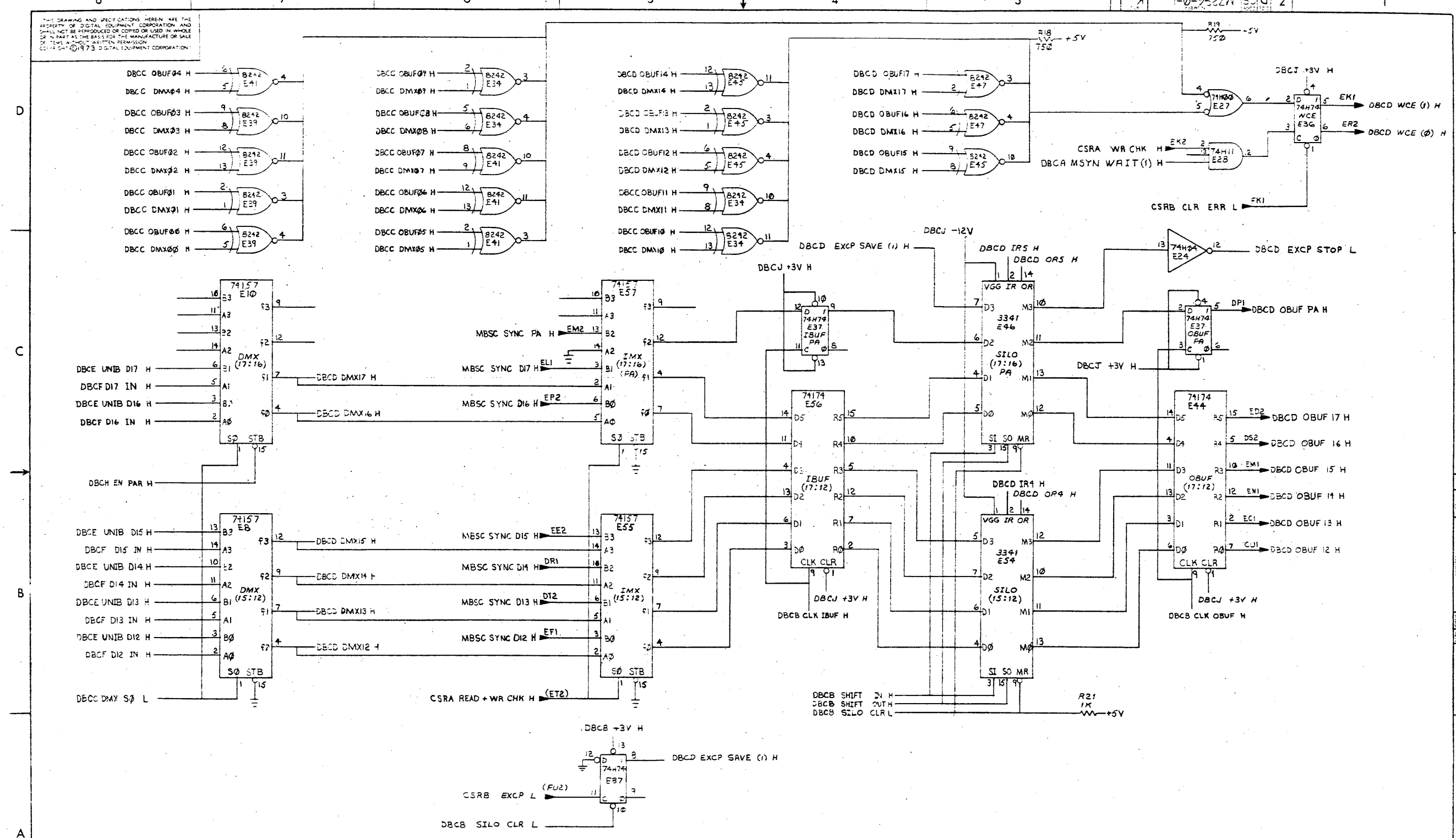
REVISIONS		
CHK	CHANGE NO	REV

SLOT 03
SILC DATA PATH <11:00>

DATA BUFFER &
CONTROL (DBCC)
SCALE NONE SHEET 4 OF 9
DIST. NUMBER DCS M7294-0-1

DCS M7294-0-1

THIS DRAWING AND SPECIFICATIONS HEREIN ARE THE PROPERTY OF DIGITAL EQUIPMENT CORPORATION, AND SHALL NOT BE REPRODUCED OR COPIED OR USED IN WHOLE OR IN PART AS THE BASIS FOR THE MANUFACTURE OR SALE OF ANY EQUIPMENT WITHOUT WRITTEN PERMISSION OF DIGITAL EQUIPMENT CORPORATION.



REV. SIONS		
CHK	CHANGE NO	REV

SLOT 03
 SILO DATA PATH <17:12> WRITE CHECK
 TITLE DATA BUFFER & CONTROL (OBCD)
 SIZE CODE D JCS
 NUMBER M7294-0-1
 REV. K
 SCALE NONE SHEET 5 OF 9 DIST

8

7

6

5

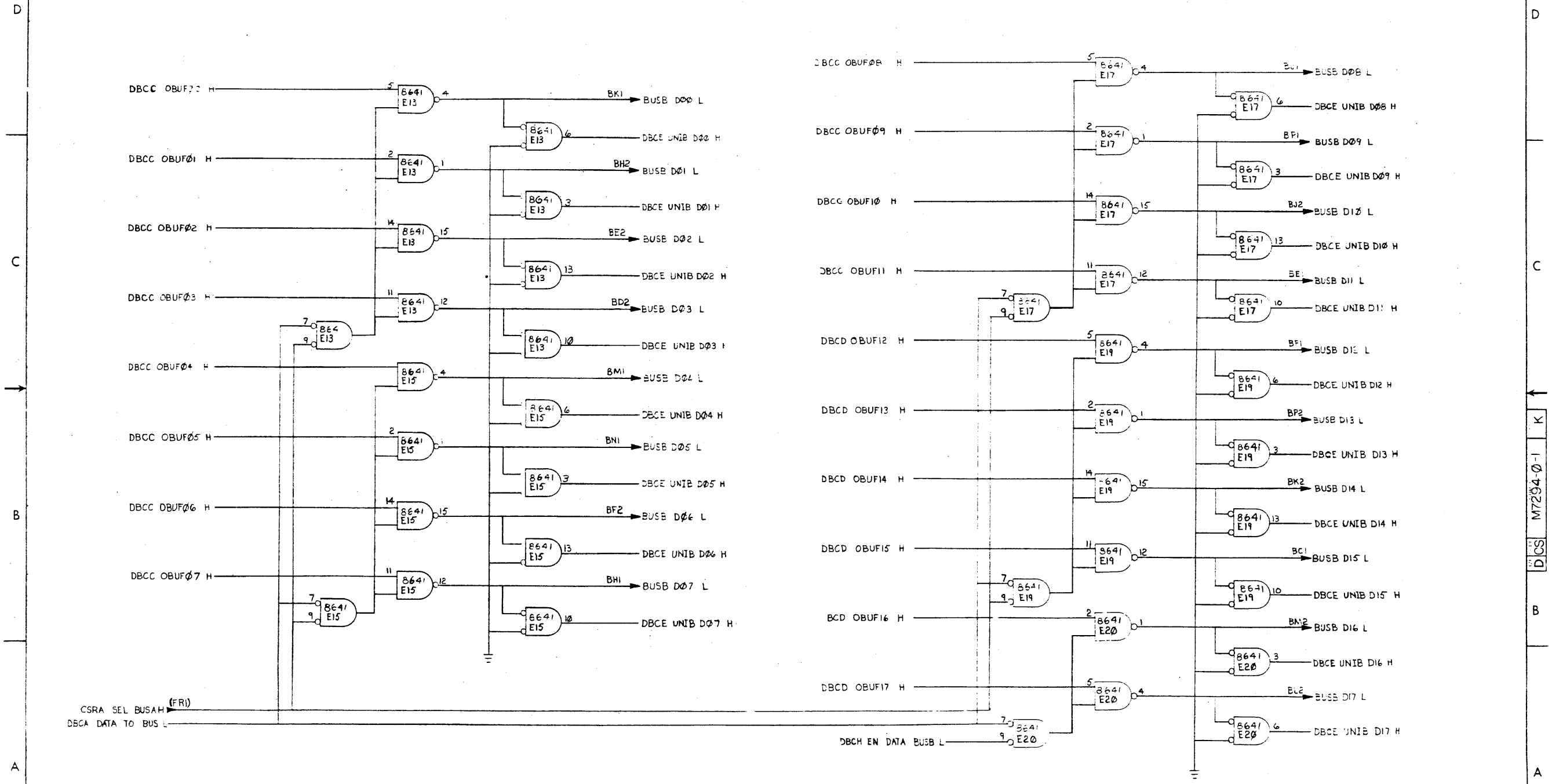
4

3

DICS M7294-0-1 K 2

1

THIS DRAWING AND SPECIFICATIONS HEREIN ARE THE PROPERTY OF DIGITAL EQUIPMENT CORPORATION AND SHALL NOT BE REPRODUCED OR COPIED OR USED IN WHOLE OR IN PART AS THE BASIS FOR THE MANUFACTURE OR SALE OF ITEMS WITHOUT WRITTEN PERMISSION. COPYRIGHT © 1973 DIGITAL EQUIPMENT CORPORATION.



REVISIONS		
CHK	CHANGE NO	REV

SLOT 03
UNIBUS B DATA TRANSCIVERS

TITLE	DATA BUFFER CONTROL (DBCE)	SIZE/CODE	DICS	NUMBER	M7294-0-1	REV.	K
SCALE	NONE	SHEET	6	OF	6	DIST	

8

7

6

5

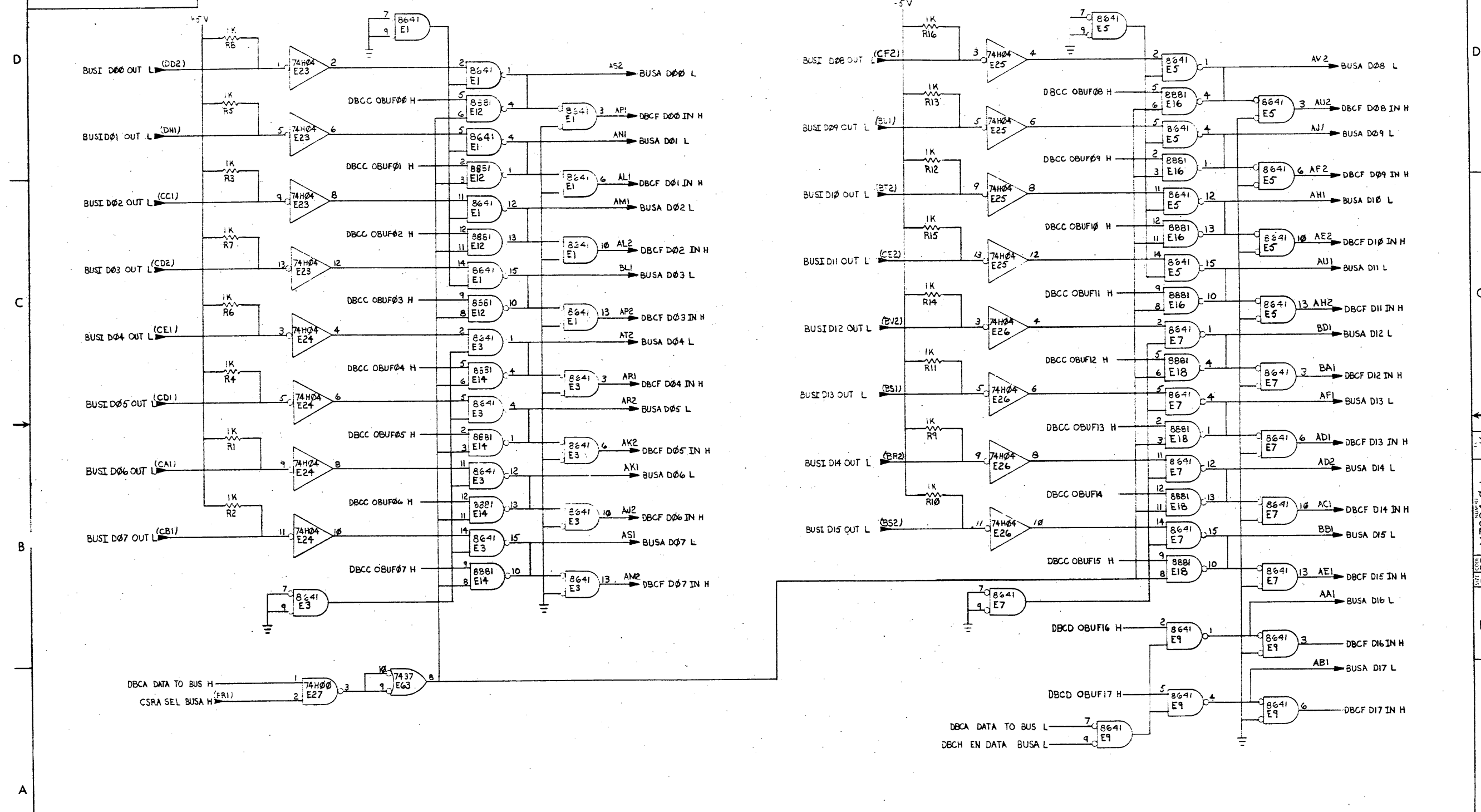
4

3

2

TW 1

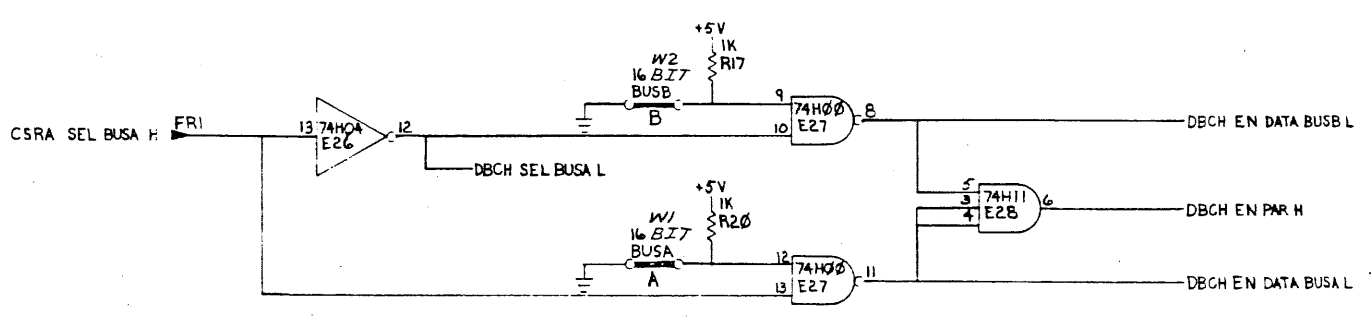
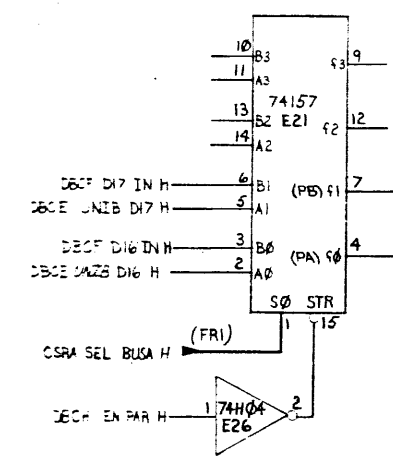
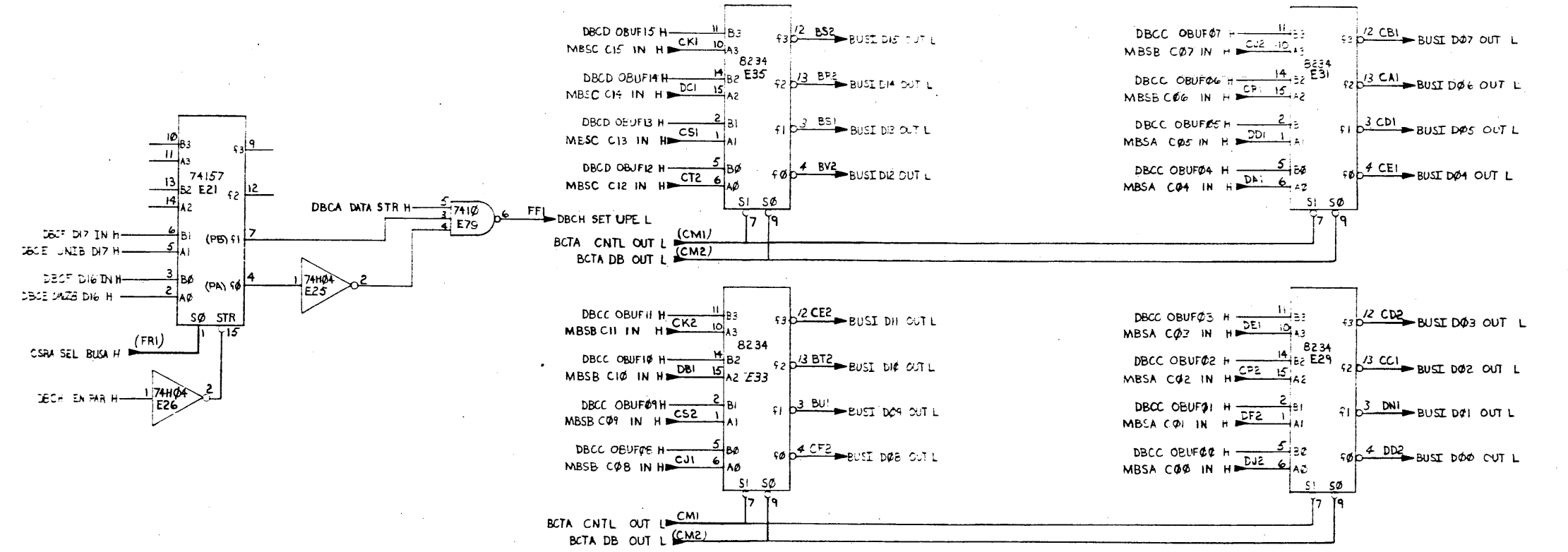
THIS DRAWING AND SPECIFICATIONS HEREIN ARE THE PROPERTY OF DIGITAL EQUIPMENT CORPORATION AND SHALL NOT BE REPRODUCED OR COPIED OR USED IN WHOLE OR IN PART AS THE BASIS FOR THE MANUFACTURE OR SALE OF ITEMS WITHOUT WRITTEN PERMISSION. COPYRIGHT © 1973 DIGITAL EQUIPMENT CORPORATION



REVISIONS		
CHK	CHANGE NO.	REV.

THIS DRAWING AND SPECIFICATIONS HEREIN ARE THE PROPERTY OF DIGITAL EQUIPMENT CORPORATION AND SHALL NOT BE REPRODUCED OR COPIED IN WHOLE OR IN PART WITHOUT THE WRITTEN PERMISSION OF DIGITAL EQUIPMENT CORPORATION.

DCS M7294-0-1 2



8234 OPEN COLLECTOR MULTIPLEXOR		
S0	S1	OUTPUT
L	L	B → F (NOT USED)
L	H	B → F
H	L	A → F
H	H	OFF

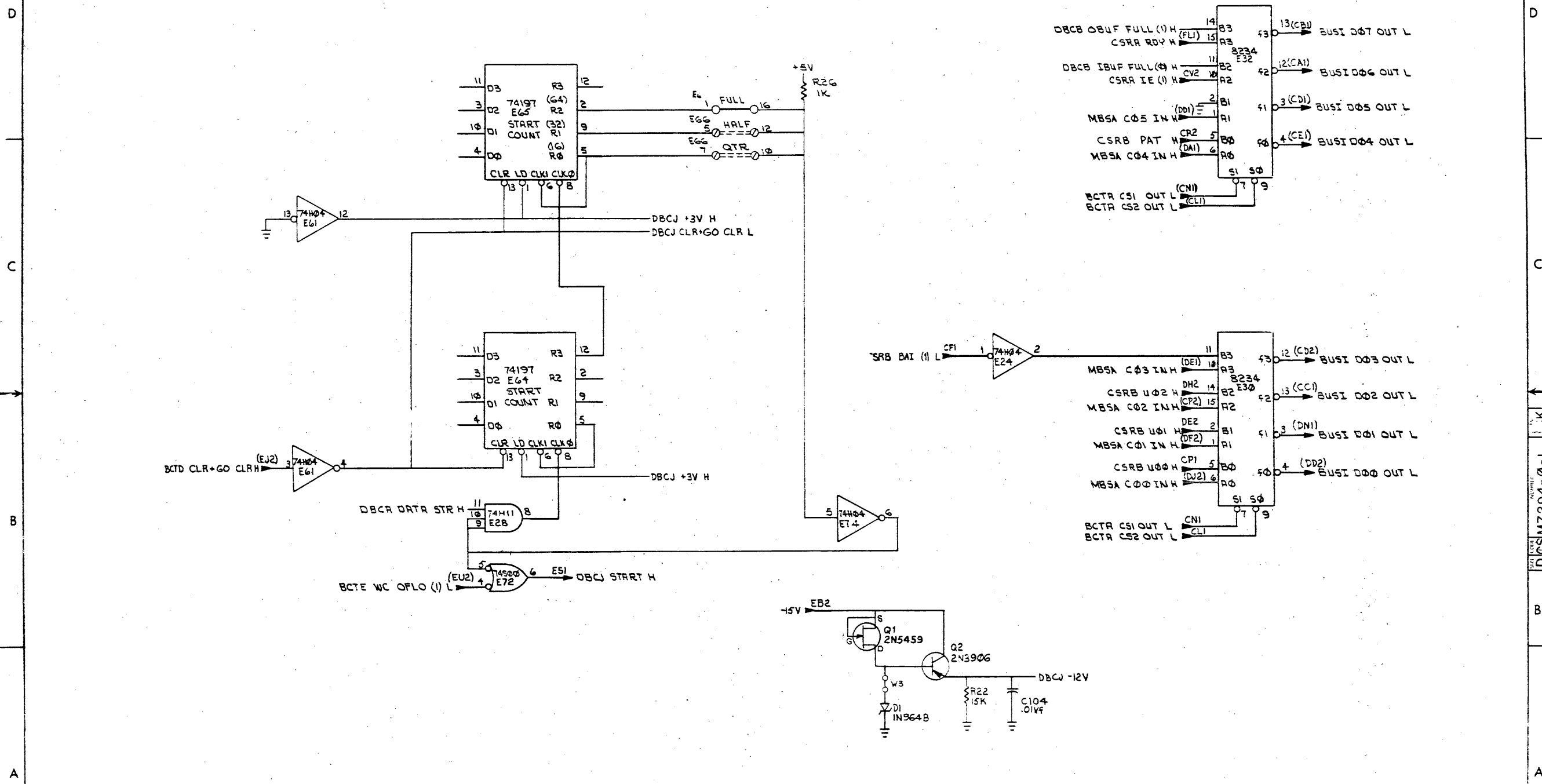
REV.	DATE	BY	CHK.	CHANGE NO.	REV.

SLOT 03
UNIBUS PARITY CNTL & DATA OUT MPXS
TITLE DATA BUFFER & CONTROL (DBCH)
SCALE: ONE
SHEET 8 OF 9
DIST. TW 1

DCS M7294-0-1

THIS DRAWING AND SPECIFICATIONS HEREIN ARE THE PROPERTY OF DIGITAL EQUIPMENT CORPORATION AND SHALL NOT BE REPRODUCED OR COPIED OR USED IN WHOLE OR IN PART AS THE BASIS FOR THE MANUFACTURE OR SALE OF ITEMS WITHOUT WRITTEN PERMISSION. COPYRIGHT © 1973 DIGITAL EQUIPMENT CORPORATION.

DCSM7294-0-1 K 2



REVISIONS		
CHK	CHANGE NO.	REV.

SLOT 03
START CNTL & DATA OUT MPXS

TITLE DATA BUFFER CONTROL
C DBCJ DCSM7294-0-1 K

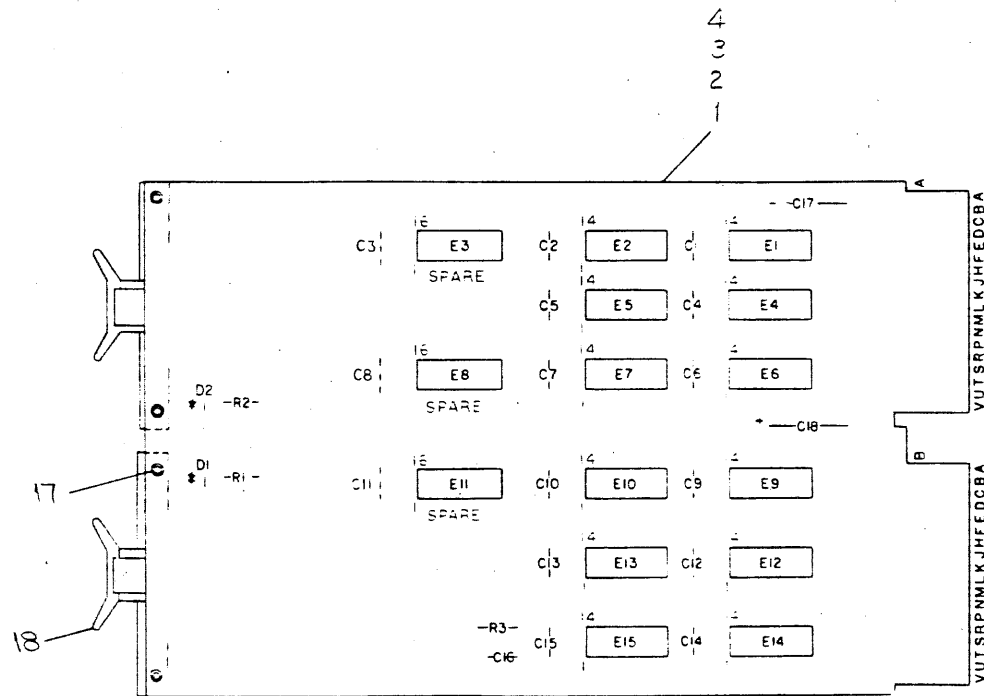
SCALE NONE SHEET 3 OF 3 DIST TW 1

8 7 6 5 4 3 2 1

no specifications herein are the property of Digital Equipment Corporation and shall not be copied or used in whole or in part as the manufacture or sale of items without prior written permission of Digital Equipment Corporation.

NOTES:

- PIN NOTATION THROUGHOUT IS ORDERED UPON MODULE PLACEMENT IN THE RH11. MODULE PIN REFERENCE ALONE IS OBTAINED BY DELETING THE NUMBER (SLCT LOCATION) AFTER THE FIRST LETTER AND CONVERTING THE FIRST LETTER ACCORDING TO THE PIN NOMENCLATURE CHART AT RIGHT.
- C3, C8, C11, E3, E8 & E11 ARE SPARE COMPONENT SLOTS.



PIN NOMENCLATURE

MODULE	RH11
A	C
B	D

C01A2	+5V	C1	C2	C4	C5	C6	C7	C9	C10	C12	C13	C14	C15	C17	C18
D01A2		GND	.01uF	.01uF	.01uF	.01uF	.01uF	.01uF	.01uF	.01uF	.01uF	.01uF	.01uF	.01uF	.01uF
C01C2, C0171															
D01C2, D0171															

1-0-2627W5012

REF	QTY	REF DESIGNATION	DESCRIPTION	PART NO.	ITEM NO.
REF		X-Y COORDINATE HOLE LOCATION		K-00-MT297-0-4	1
REF		ASSY/DRILLING HOLE LAYOUT		D-04-MT297-0-5	2
REF		MODULE ECO HISTORY		E-4-MT297-0-6	3
1		ETCHED CIRCUIT BOARD		5010504	4
12		C1C2, C4, C5, C6, C7, C9, C10, C12, C13, C14, C15	CAP. .01uF, 20%, 50V DISC	1001610-00	5
1		C16	CAP. 27pF, 5%, 100V MICA	1001739	6
2		C17, C18	CAP. 6.8uF, 10%, 35V S.TANT	1005306	7
2		D1, D2	DIODE LED	1110864	8
1		R3	RES. 1K, 5%, 1/4W	1300365	9
2		R1, R2	RES. 390, 5%, 1/4W	1300309	10
1		E7	IC DEC 74H00	1909056	11
1		E5	IC DEC 74H10	1909057	12
1		E10	IC DEC 74H74	1909667	13
1		E15	IC DEC 8881	1909705	14
1		E13	IC DEC 74H04	1909931	15
7		E1, E2, E4, E6, E9, E12, E14	IC DEC 74180	1910724	16
4			EYELET	9006732	17
2			HANDLE, FLIP-CHIP (MAGENTA)	9008337-6	18

QTY	REF DESIGNATION	DESCRIPTION	PART NO.	ITEM NO.
	RH11	ETCH BOARD REV B		

DRN	DATE	DATE	DATE	DATE	DATE	DATE	DATE
CHK'D	7/20/73	7/20/73	7/20/73	7/20/73	7/20/73	7/20/73	7/20/73
ENG							
PROD ENG							
PROD							
NEXT HIGHER ASSY							
DEC NO	EIA NO	DEC NO	EIA NO	SCALE NONE			
SEMICONDUCTOR CONVERSION CHART				SHEET 1 OF 2			

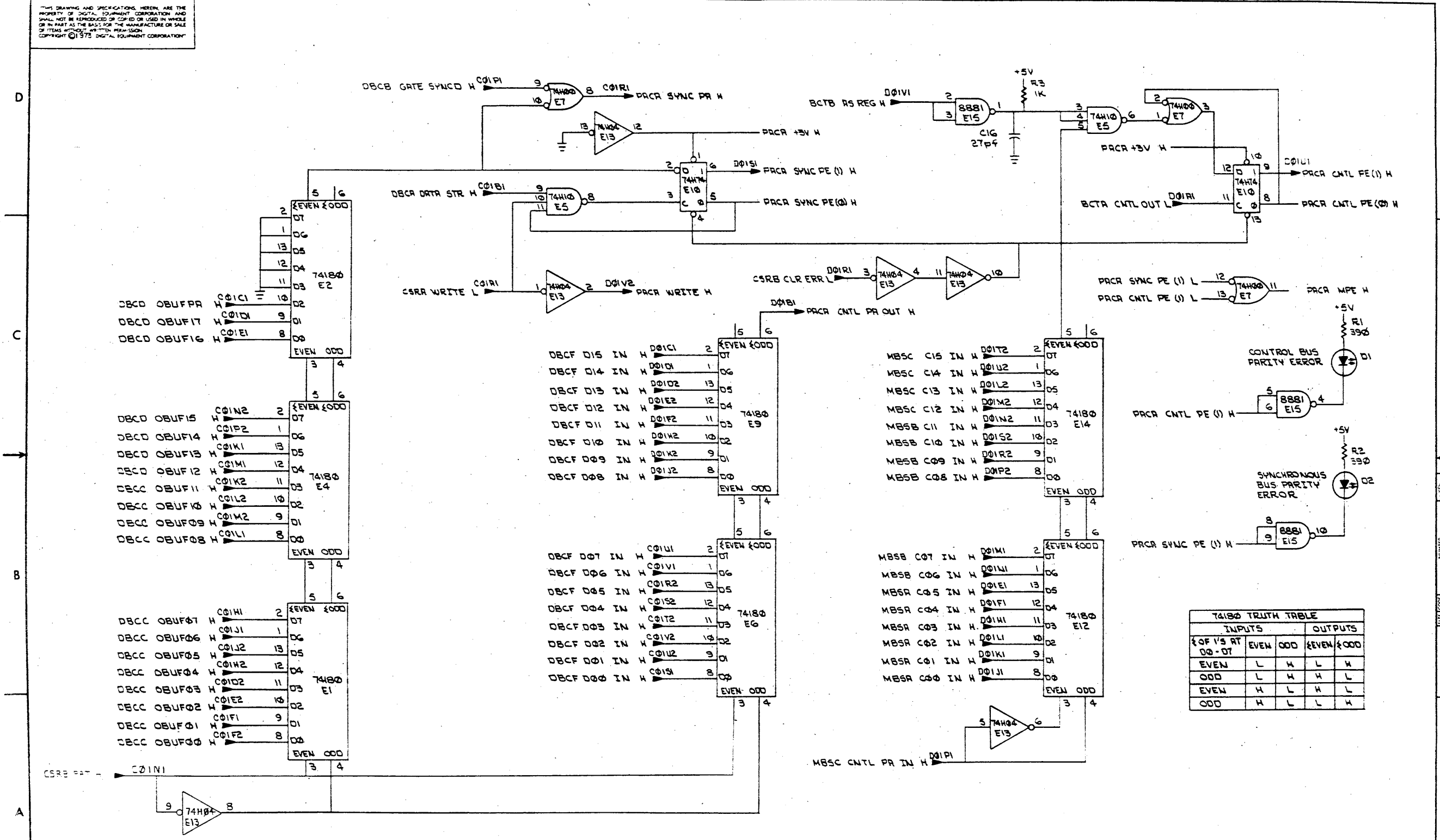
digital EQUIPMENT CORPORATION MAYFIELD MASSACHUSETTS	
TITLE: PARITY CONTROL (PAC)	
SIZE CODE: DCS	NUMBER: M7297-0-1
REV: A	

IC TYPE	GND	+5V
GND AND 5V ARE USUALLY PIN 7 AND 14 RESPECTIVELY EXCEPTIONS ARE STATED ABOVE		
IC PIN LOCATIONS		

DEC 1984 NO. 189-134

REV A
NUMBER M7297-0-1
ITEM NO. DCS

THIS DRAWING AND SPECIFICATIONS HEREIN ARE THE PROPERTY OF DIGITAL EQUIPMENT CORPORATION AND SHALL NOT BE REPRODUCED OR COPIED OR USED IN WHOLE OR IN PART AS THE BASIS FOR THE MANUFACTURE OR SALE OF ITEMS WITHOUT EXPRESS PERMISSION. COPYRIGHT © 1975 DIGITAL EQUIPMENT CORPORATION.



74180 TRUTH TABLE

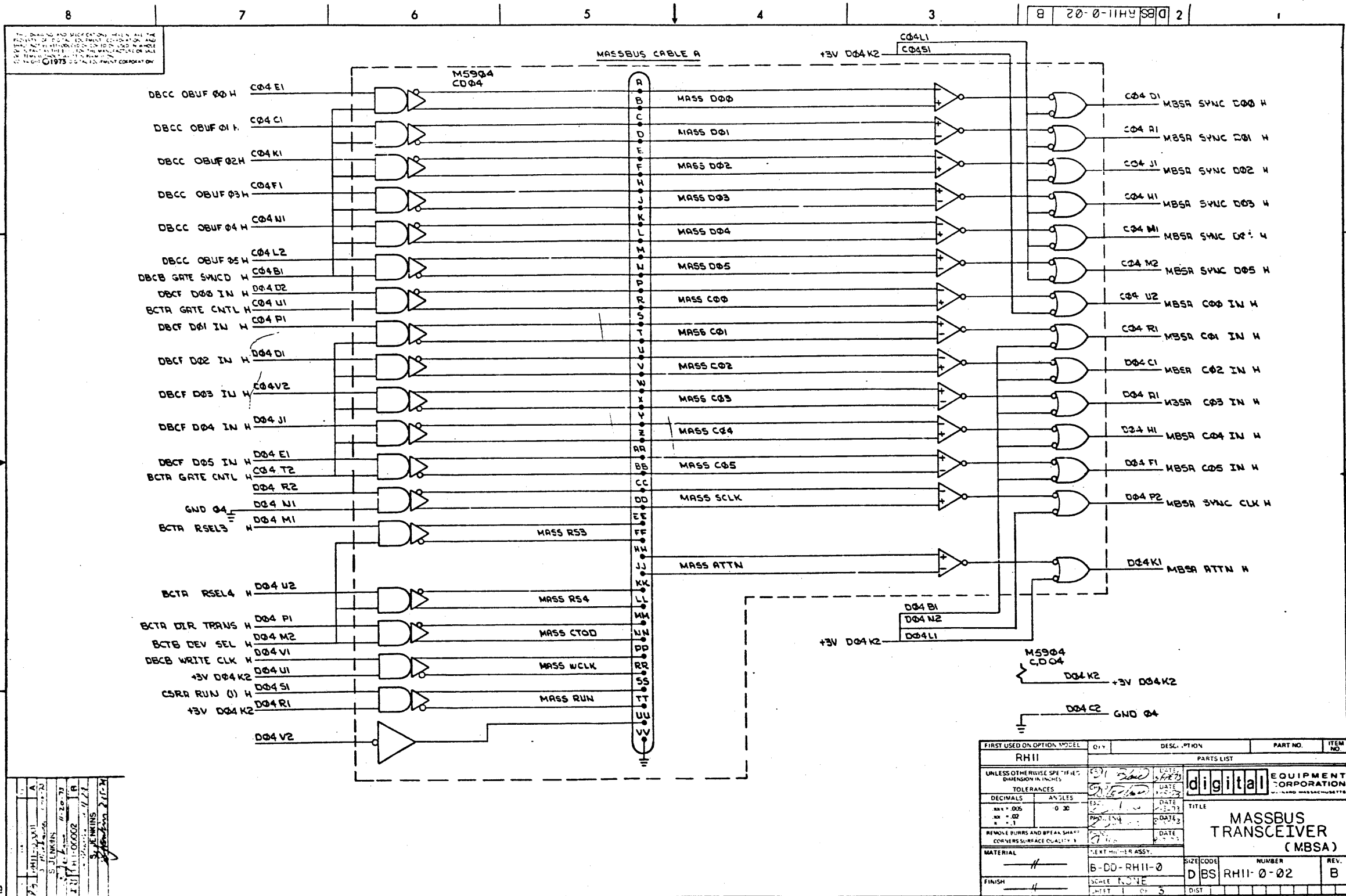
INPUTS		OUTPUTS	
Q OF 1'S AT	Q OF 0'S AT	EVEN	ODD
EVEN	ODD	L	H
ODD	EVEN	H	L
EVEN	EVEN	H	H
ODD	ODD	L	L

REVISIONS

CHK	CHANGE NO.	REV.

PARITY DETECT. & GEN. FOR MASSBUS

REV. A DCS M7297-0-1

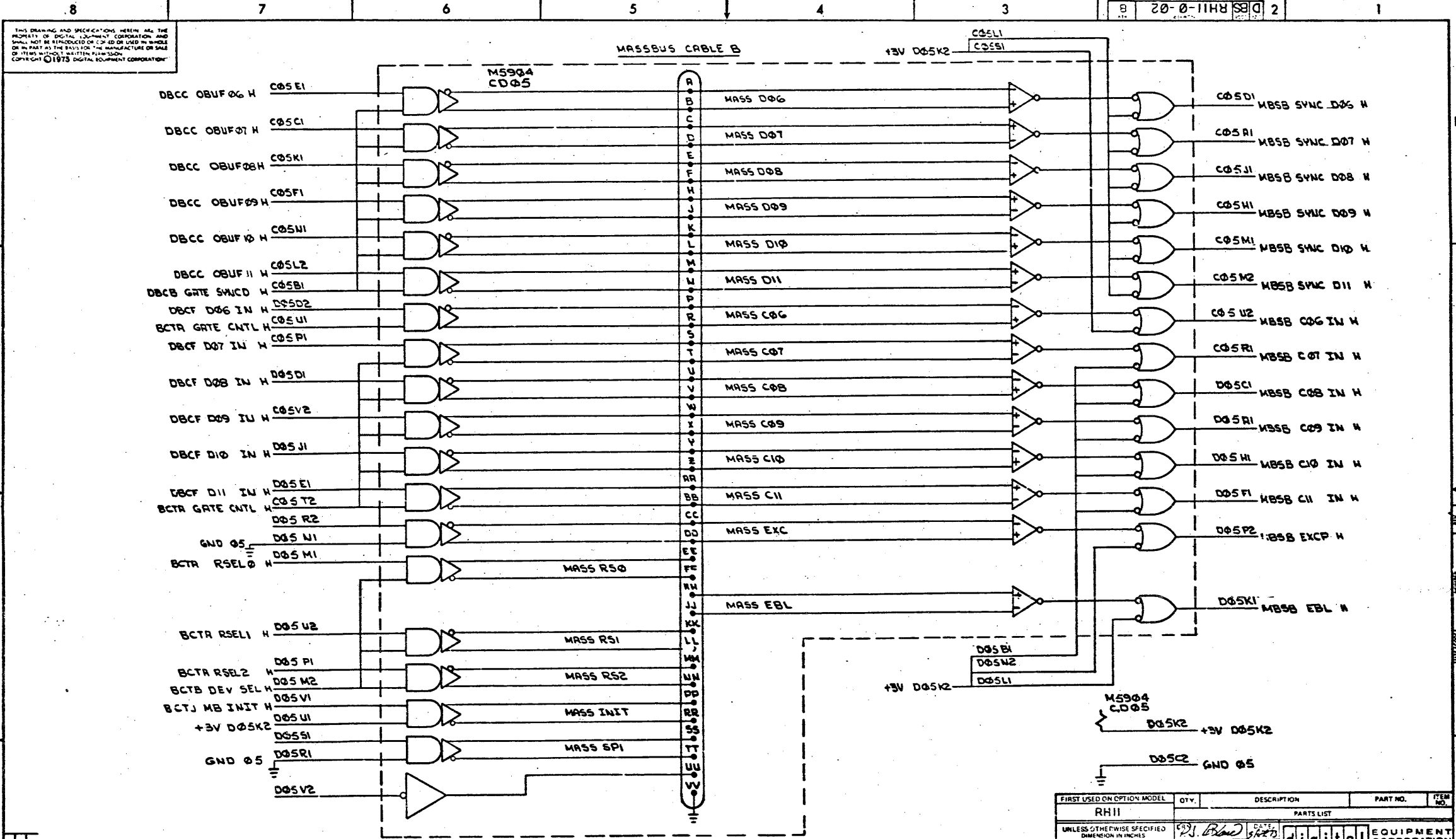


THIS DRAWING IS THE PROPERTY OF DIGITAL EQUIPMENT CORPORATION. IT IS TO BE USED FOR THE MANUFACTURE OF THIS PRODUCT ONLY. IT IS NOT TO BE REPRODUCED OR TRANSMITTED IN ANY FORM OR BY ANY MEANS, ELECTRONIC OR MECHANICAL, INCLUDING PHOTOCOPYING, RECORDING, OR BY ANY INFORMATION STORAGE AND RETRIEVAL SYSTEM. © 1975 DIGITAL EQUIPMENT CORPORATION

FIRST USED ON OPTION MODEL	QTY	DESCRIPTION	PART NO.	ITEM NO.
RH11		MASSBUS TRANSCEIVER (MBSA)	D BS RH11-0-02	B

UNLESS OTHERWISE SPECIFIED, DIMENSIONS IN INCHES		PARTS LIST	
DECIMALS	ANGLES	DATE	TITLE
0.005	0.00	10/25/73	MASSBUS TRANSCEIVER (MBSA)
0.01		DATE	
0.1		10/25/73	
REMOVE BURRS AND BEVEL SHARP CORNERS SURFACE QUALITY B		DATE	
MATERIAL		TEXT NUMBER	REV.
#		B-DD-RH11-0	B
FINISH		SCALE NOTE	
#		1 OF 5	

REV.	DATE	BY	CHKD.
1	10/25/73	J. J. WILSON	J. J. WILSON
2	11/15/73	J. J. WILSON	J. J. WILSON
3	12/15/73	J. J. WILSON	J. J. WILSON
4	1/15/74	J. J. WILSON	J. J. WILSON
5	2/15/74	J. J. WILSON	J. J. WILSON
6	3/15/74	J. J. WILSON	J. J. WILSON
7	4/15/74	J. J. WILSON	J. J. WILSON
8	5/15/74	J. J. WILSON	J. J. WILSON

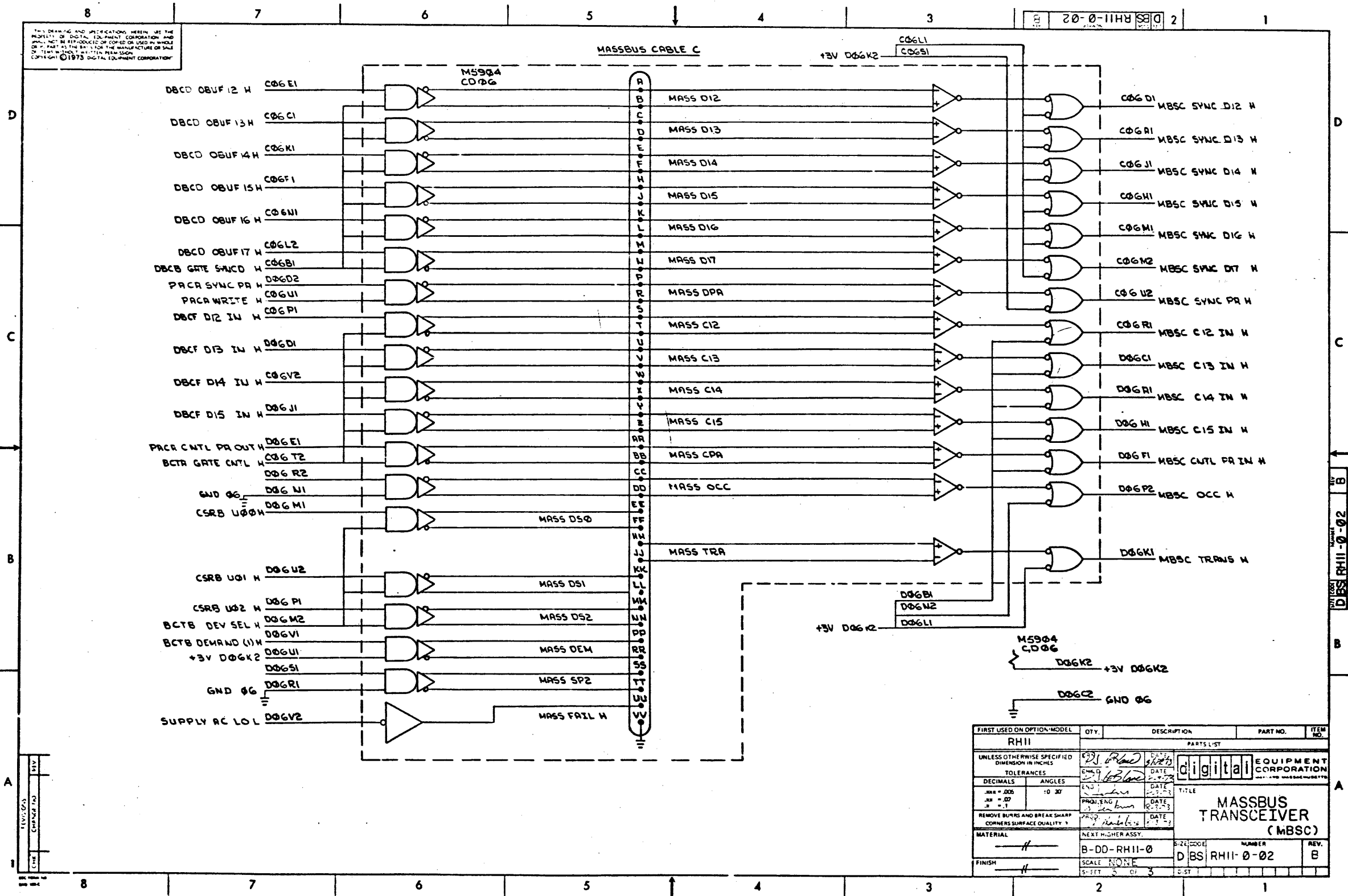


THIS DRAWING AND SPECIFICATIONS HEREIN ARE THE PROPERTY OF DIGITAL EQUIPMENT CORPORATION AND SHALL NOT BE REPRODUCED OR USED IN WHOLE OR IN PART AS THE BASIS FOR THE MANUFACTURE OR SALE OF ITEMS WITHOUT WRITTEN PERMISSION. COPYRIGHT © 1975 DIGITAL EQUIPMENT CORPORATION.

FIRST USED ON OPTION MODEL	QTY.	DESCRIPTION	PART NO.	ITEM NO.
RH11				
UNLESS OTHERWISE SPECIFIED DIMENSION IN INCHES				
TOLERANCES				
DECIMALS	ANGLES	DATE		
.XX - .005	-0.00	DATE	digital EQUIPMENT CORPORATION	
.XX - .01		DATE	TITLE	
.XX - .02		DATE	MASSBUS TRANSCEIVER (MBSB)	
.XX - .05		DATE	PARTS LIST	
REMOVE BURRS AND BREAK SHARP CORNERS SURFACE QUALITY 1				
NEXT HIGHERassy.				
MATERIAL		SIZE/CODE	NUMBER	REV.
		B-DD-RH11-0	DBS RH11-0-02	F
FINISH		SCALE	SHEET	CF
		NONE	2	3

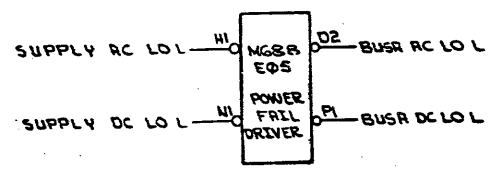
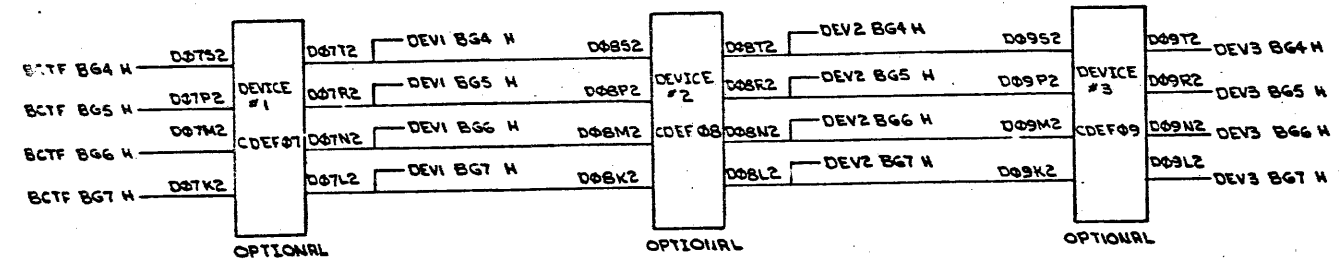
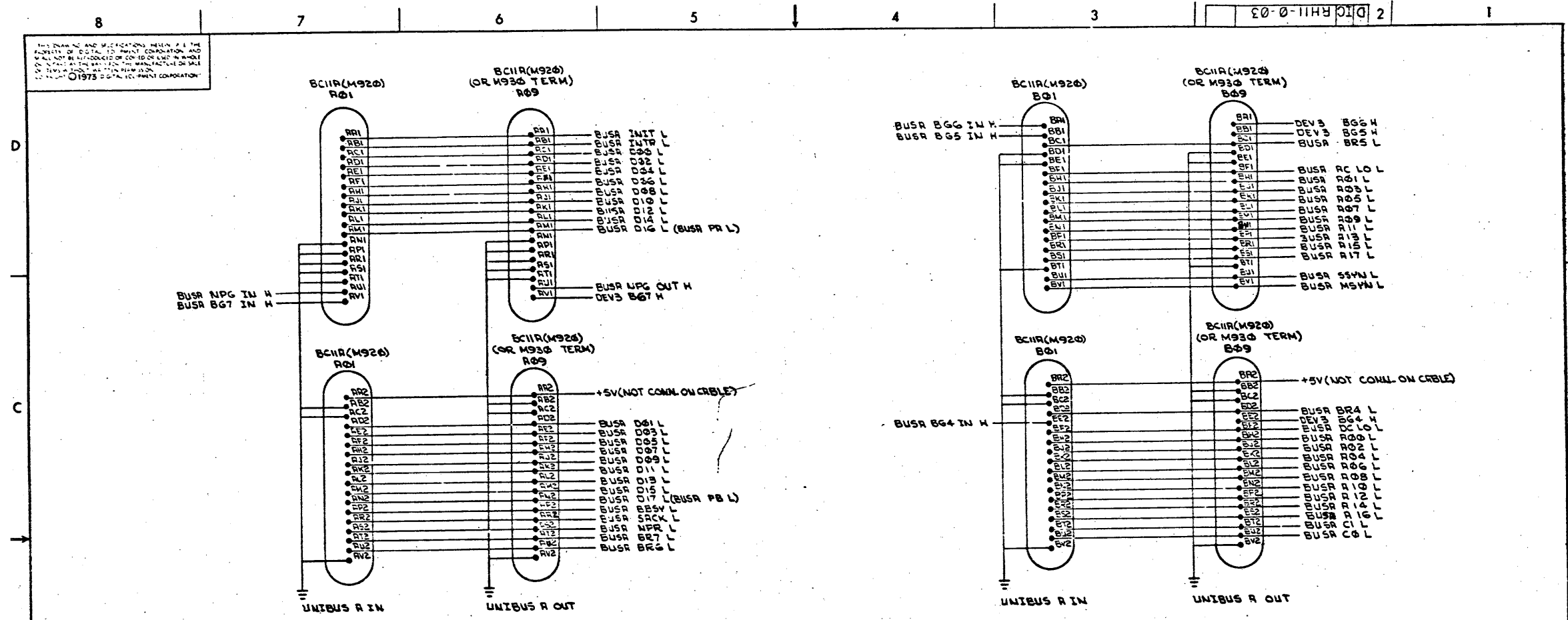
REV.	
1	CHANGE TO

THIS DRAWING AND SPECIFICATIONS HEREIN ARE THE PROPERTY OF DIGITAL EQUIPMENT CORPORATION AND SHALL NOT BE REPRODUCED OR COPIED OR USED IN WHOLE OR IN PART AS THE BASIS FOR THE MANUFACTURE OR SALE OF ITEMS WITHOUT THE WRITTEN PERMISSION OF DIGITAL EQUIPMENT CORPORATION.



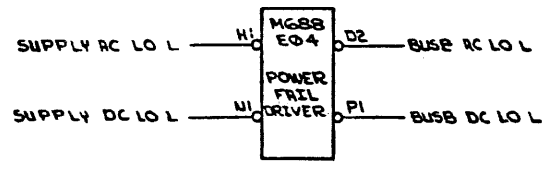
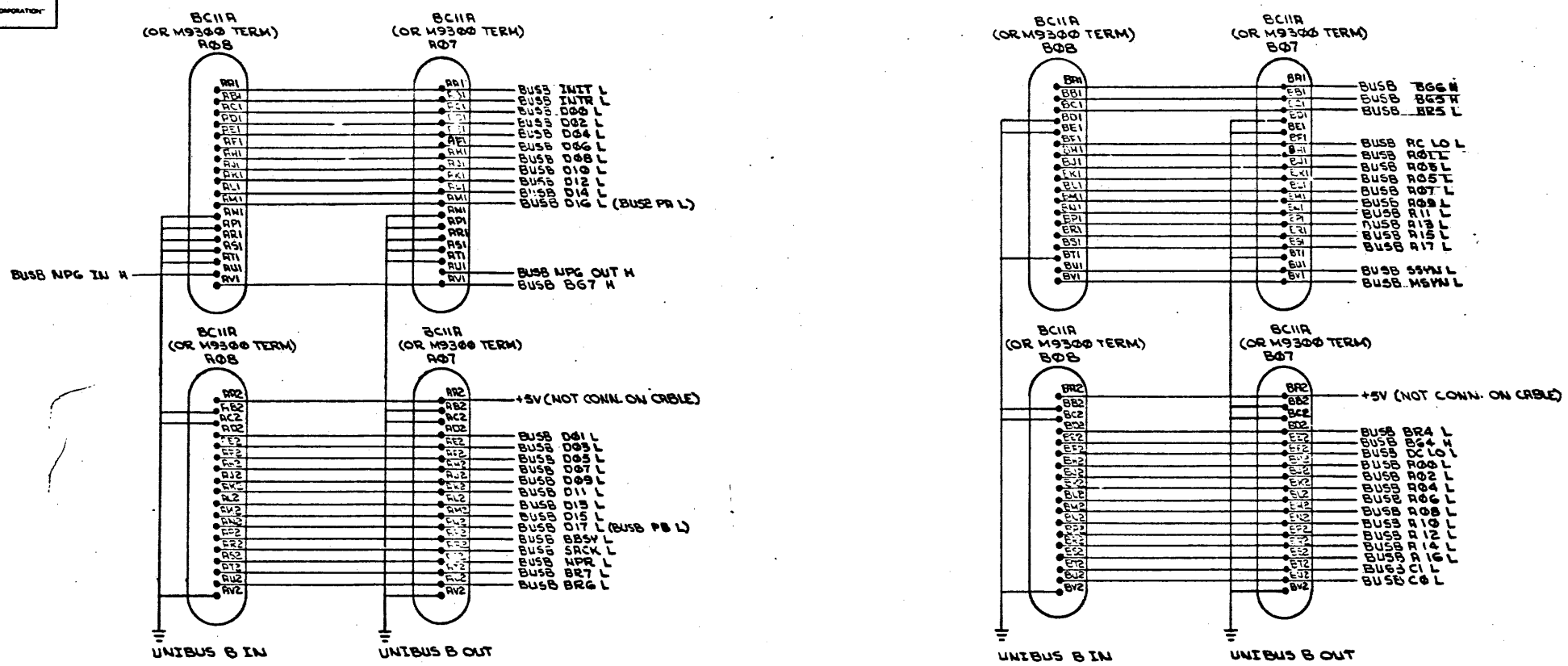
FIRST USED ON OPTION/MODEL	QTY.	DESCRIPTION	PART NO.	ITEM NO.
RH11				
UNLESS OTHERWISE SPECIFIED DIMENSION IN INCHES				
TOLERANCES				
DECIMALS	ANGLES			
.005	±0.30°			
.01				
REMOVE BURRS AND BREAK SHARP CORNERS SURFACE QUALITY 1				
MATERIAL				
NEXT HIGHER ASSY.				
FINISH				
PARTS LIST				
digital EQUIPMENT CORPORATION				
TITLE				
MASSBUS TRANSCEIVER (MBS)				
MATERIAL		SIZE/COO	NUMBER	REV.
B-DD-RH11-0		D BS RH11-0-02		B
SCALE NONE				
SHEET 3 OF 3				

THIS DRAWING AND SPECIFICATIONS HEREIN ARE THE PROPERTY OF DIGITAL EQUIPMENT CORPORATION AND SHALL NOT BE REPRODUCED OR COPIED IN WHOLE OR IN PART WITHOUT THE WRITTEN PERMISSION OF DIGITAL EQUIPMENT CORPORATION.



FIRST USED ON OPTION MODEL	QTY.	DESCRIPTION	PART NO.	ITEM NO.
RHII				
PARTS LIST				
UNLESS OTHERWISE SPECIFIED DIMENSION IN INCHES				
TOLERANCES				
DECIMALS	ANGLES	DATE		
.XXX ± .005	0 30'	DATE	TITLE	
REMOVE BURRS AND BREAK SHARP CORNERS SURFACE QUALITY B		DATE	UNIBUS A CABLE DIAGRAM (BUSA)	
MATERIAL	FINISH	DATE	SIZE/CODE	NUMBER
#	#	DATE	B-DD-RHII-0	DIC RHII-0-03
NEXT HIGHER ASSY.		DATE	SCALE	REV.
NONE		DATE	NONE	
SHEET		DATE	OF	
		DATE		

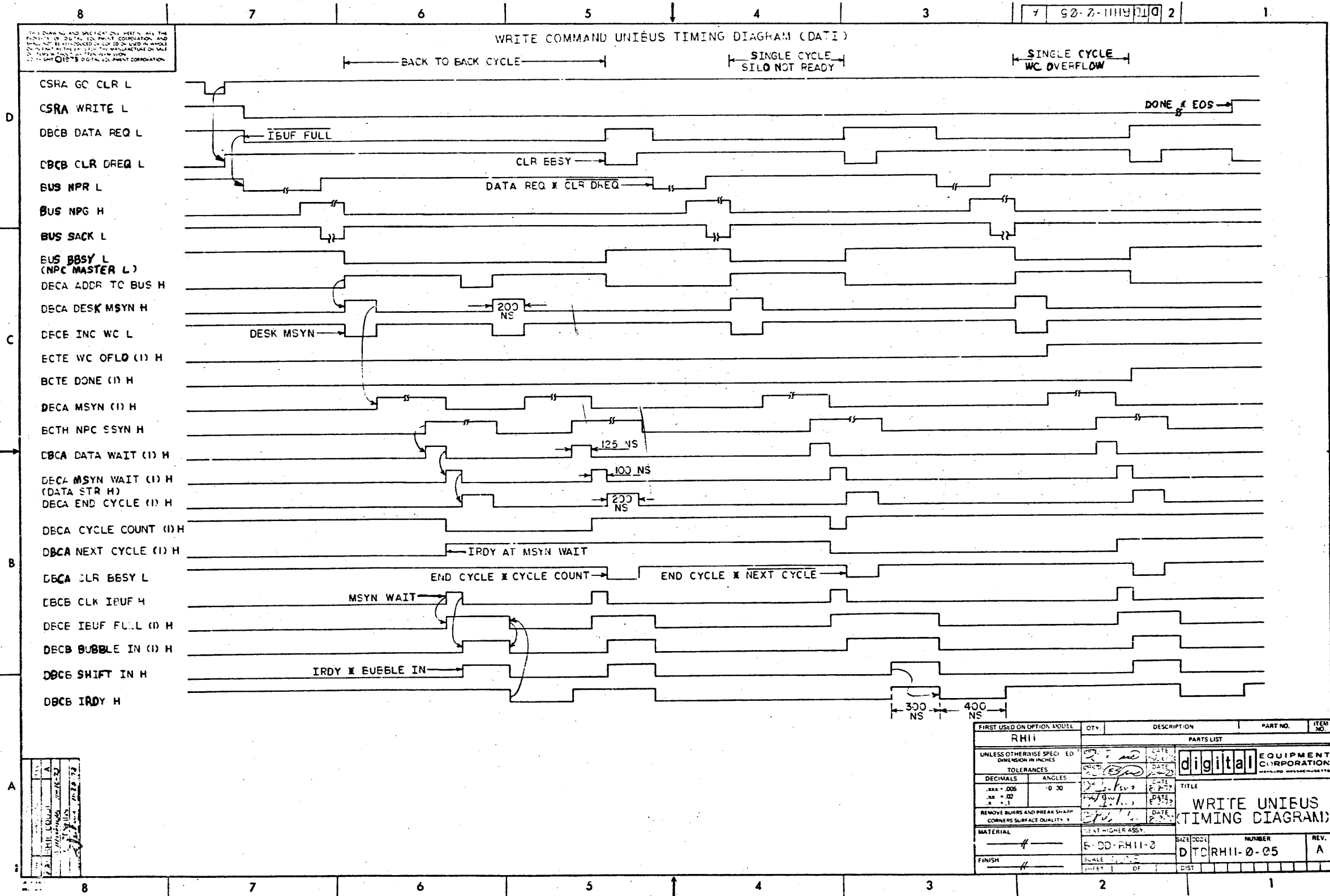
THIS DRAWING AND SPECIFICATIONS HEREIN ARE THE PROPERTY OF DIGITAL EQUIPMENT CORPORATION AND SHALL NOT BE REPRODUCED OR COPIED OR USED IN WHOLE OR IN PART AS THE BASIS FOR THE MANUFACTURE OR SALE OF ITEMS WITHOUT THE WRITTEN PERMISSION OF DIGITAL EQUIPMENT CORPORATION.



REVISED BY: CHC:ZT:SO

FIRST USED ON OPTION MODEL	QTY.	DESCRIPTION	PART NO.	ITEM NO.
RHII				
UNLESS OTHERWISE SPECIFIED DIMENSION IN INCHES				
TOLERANCES				
DECIMALS	ANGLES	ENGR.	DATE	
.005	10' 30'	<i>S. J. ...</i>	8-2-74	
REMOVE BURRS AND BREAK SHARP CORNERS SURFACE QUALITY 1				
MATERIAL				
NEXT HIGHER ASSY.				
FINISH		SCALE NONE		
SHEET 1 OF 1		SIZE/CODR NUMBER REV.		
		D I C R H I I - 0 - 0 4		

DIGITAL EQUIPMENT CORPORATION
D I C R H I I - 0 - 0 4



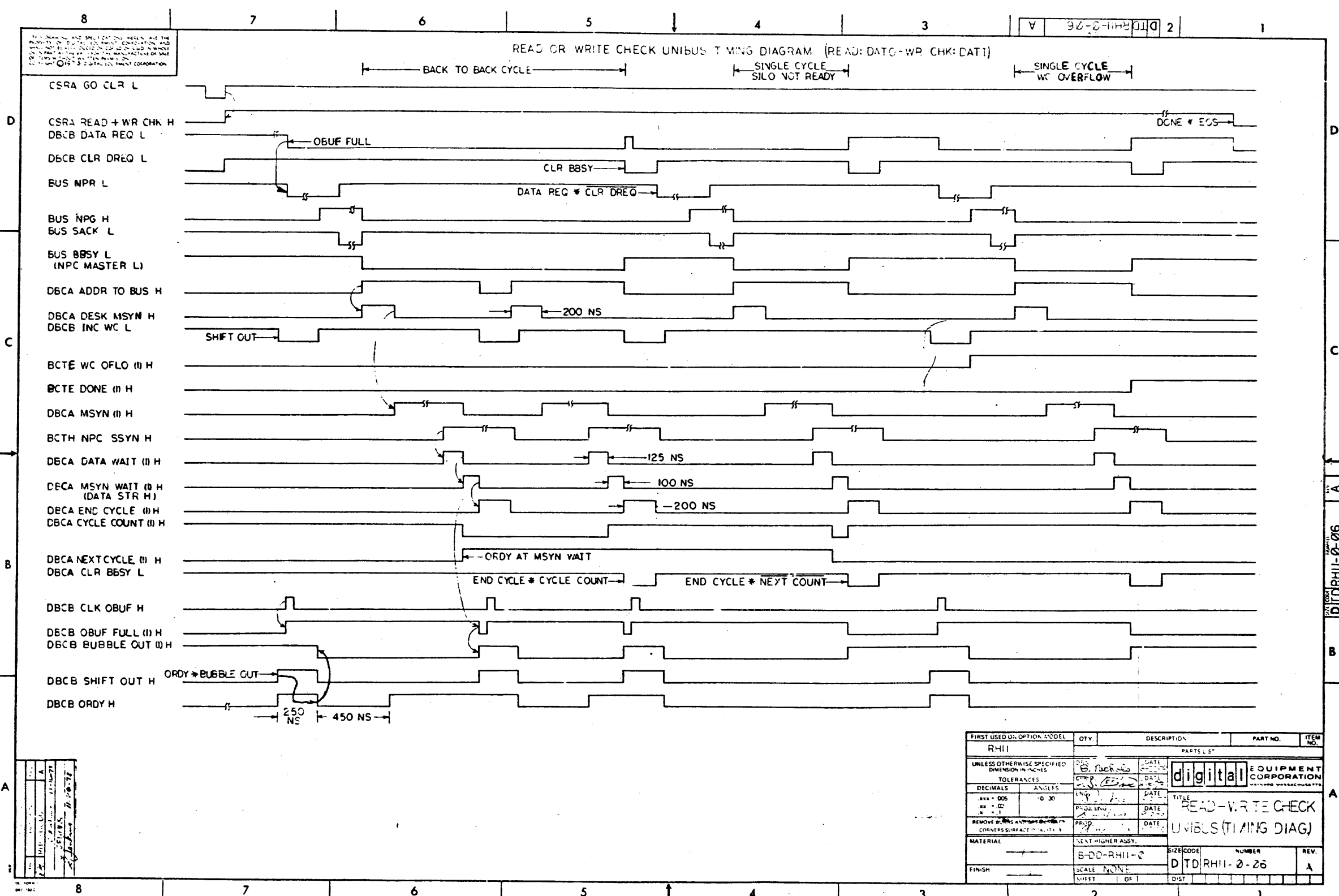
THIS DRAWING AND SPECIFICATION HEREIN ARE THE PROPERTY OF DIGITAL EQUIPMENT CORPORATION AND SHALL NOT BE REPRODUCED OR USED IN WHOLE OR IN PART BY ANY OTHER ENTITY WITHOUT THE WRITTEN PERMISSION OF DIGITAL EQUIPMENT CORPORATION.

7 92-7-1114 110 2

REV. A	DATE 11-15-73
REV. B	DATE 11-15-73
REV. C	DATE 11-15-73
REV. D	DATE 11-15-73
REV. E	DATE 11-15-73
REV. F	DATE 11-15-73
REV. G	DATE 11-15-73
REV. H	DATE 11-15-73
REV. I	DATE 11-15-73
REV. J	DATE 11-15-73
REV. K	DATE 11-15-73
REV. L	DATE 11-15-73
REV. M	DATE 11-15-73
REV. N	DATE 11-15-73
REV. O	DATE 11-15-73
REV. P	DATE 11-15-73
REV. Q	DATE 11-15-73
REV. R	DATE 11-15-73
REV. S	DATE 11-15-73
REV. T	DATE 11-15-73
REV. U	DATE 11-15-73
REV. V	DATE 11-15-73
REV. W	DATE 11-15-73
REV. X	DATE 11-15-73
REV. Y	DATE 11-15-73
REV. Z	DATE 11-15-73

FIRST USED ON OPTION MODEL	QTY.	DESCRIPTION	PART NO.	ITEM NO.
RH11				
UNLESS OTHERWISE SPECIFIED DIMENSION IN INCHES				
TOLERANCES				
DECIMALS	ANGLES	DATE		
.0005	0 30	DATE	PARTS LIST	
.001		DATE	TITLE	
.01		DATE	WRITE UNIBUS TIMING DIAGRAM	
REMOVE BURRS AND BREAK SHARP CORNERS SURFACE QUALITY				
MATERIAL	TEST	HIGHER ASSY.	SIZE CODE	NUMBER
#			E-00-RH11-2	DTCRH11-0-05
FINISH	SCALE	SHEET	OF	DIST
#				

DTCRH11-0-05



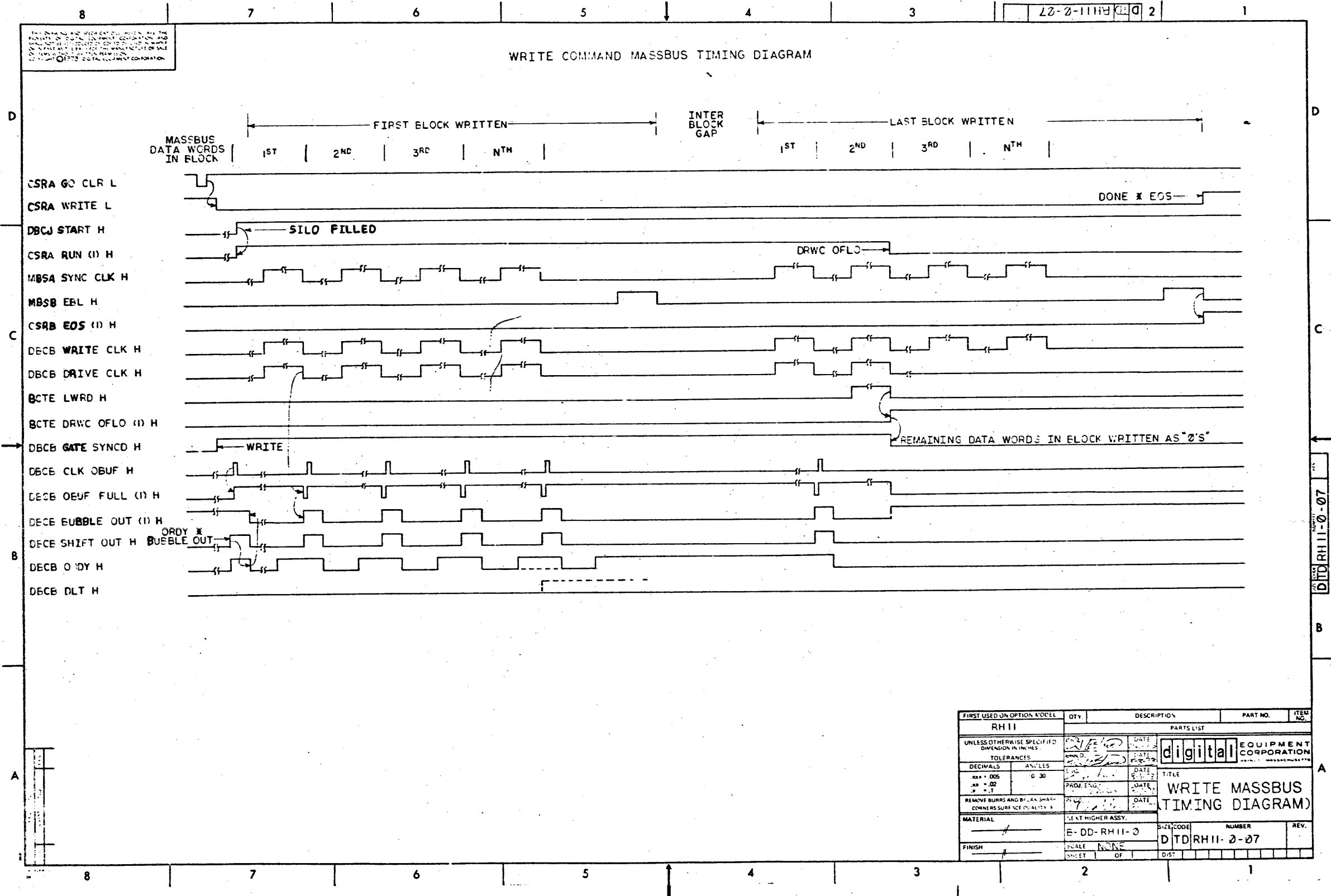
FIRST USED OR OPTION MODEL	QTY	DESCRIPTION	PART NO.	ITEM NO.
RHII				
UNLESS OTHERWISE SPECIFIED DIMENSION IN INCHES				
TOLERANCES				
DECIMALS	ANGLES	digital EQUIPMENT CORPORATION <small>1000 WASHINGTON STREET, WILMINGTON, MASSACHUSETTS 01890</small>		
.xxx + .005	-0.30			
.xx + .00		READ-WRITE CHECK UNIBUS (TIMING DIAG)		
.x + .0				
REMOVE BURRS AND SHARP EDGES FROM ALL CORNERS SURFACE FINISH				
MATERIAL	SENT HIGHER ASSY.		SIZE CODE	NUMBER
	B-00-RHII-0		DTR/RHII-0-26	REV. A
FINISH	SCALE	NONE	SHEET	1 OF 1

REV. A	DATE	BY
REV. B	DATE	BY
REV. C	DATE	BY
REV. D	DATE	BY

DTR/RHII-0-06

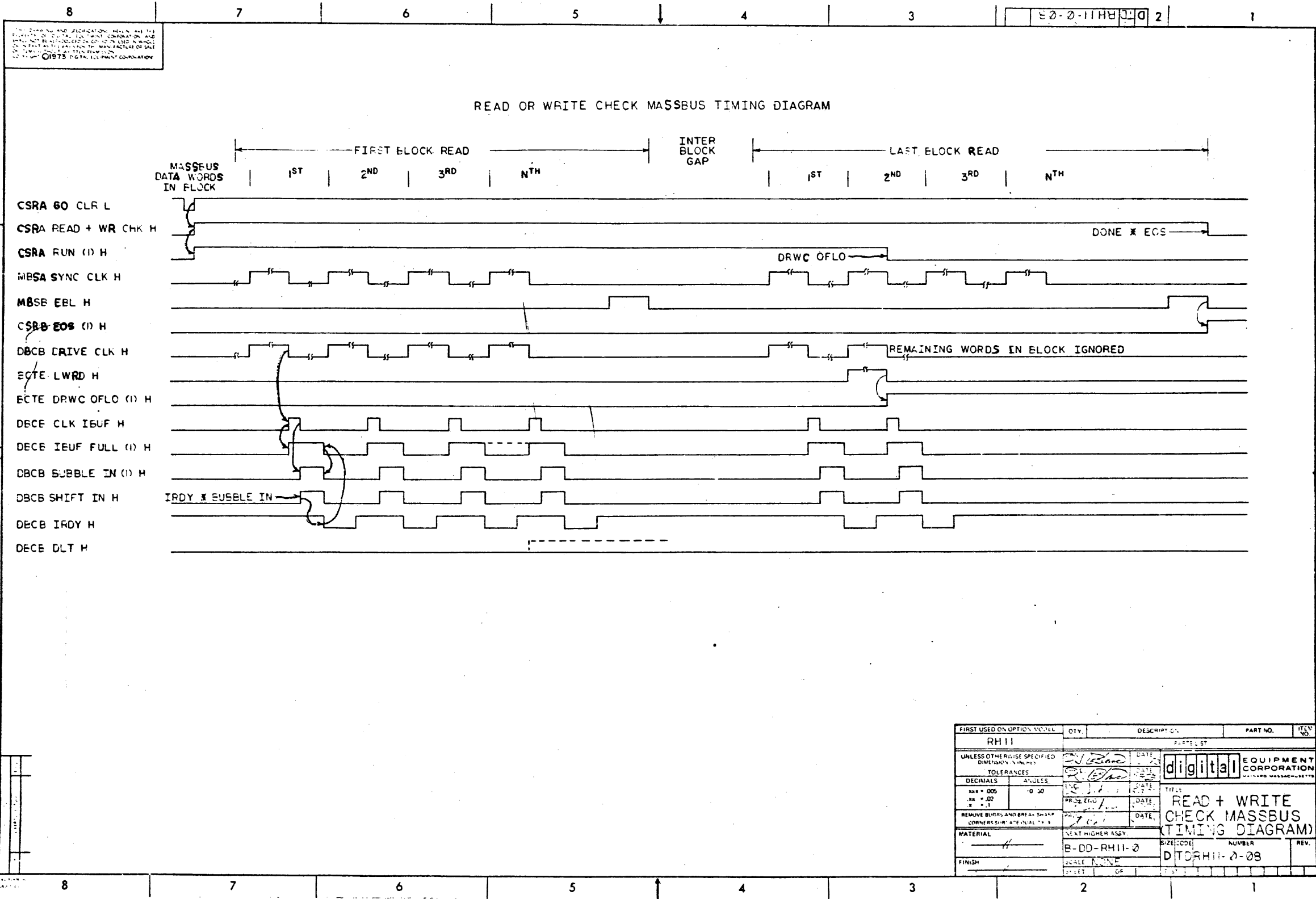
D DTD RH11-2-27 2 1

WRITE COMMAND MASSBUS TIMING DIAGRAM

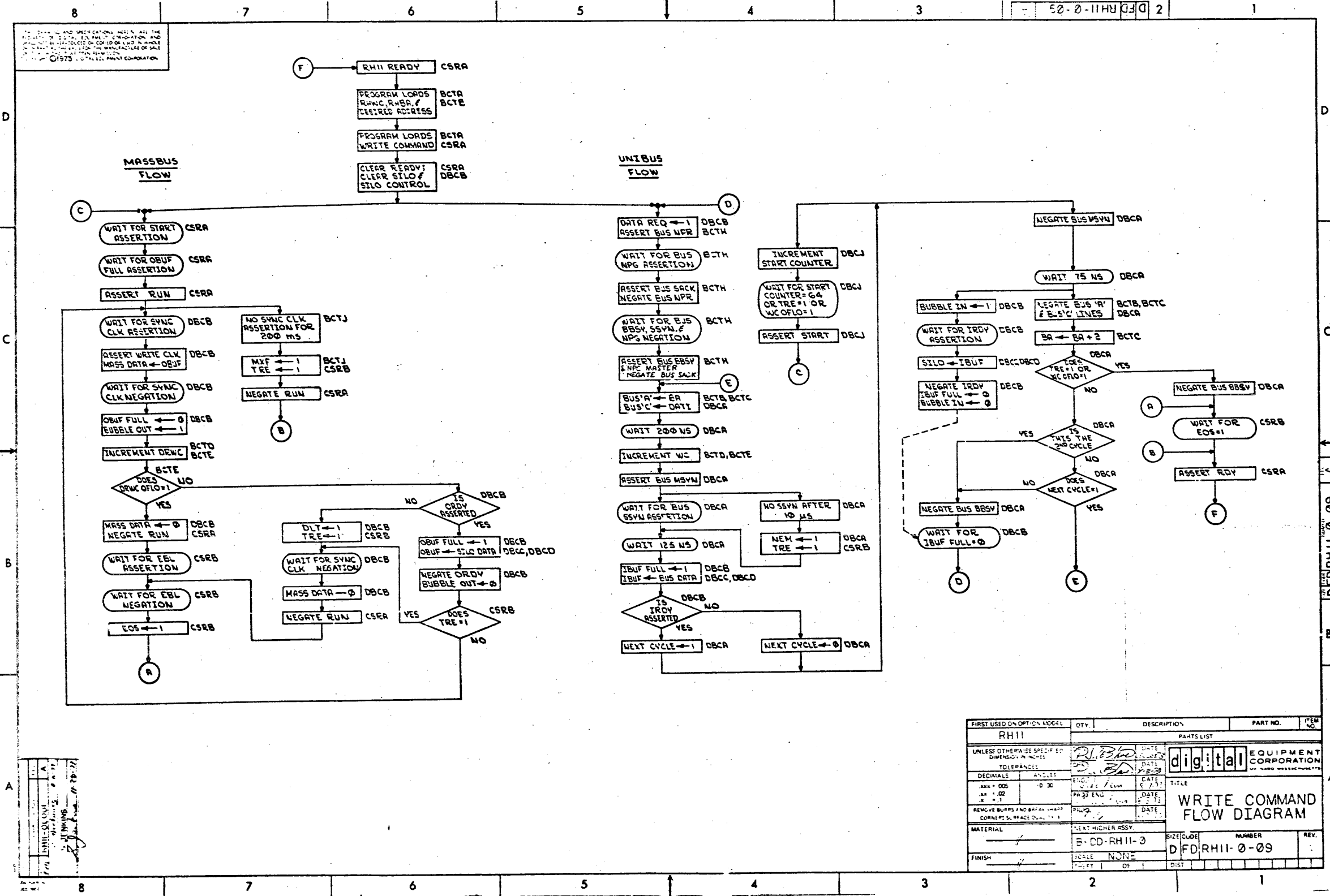


D DTD RH11-2-07

FIRST USED ON OPTION MODEL	QTY	DESCRIPTION	PART NO.	ITEM NO.
RH11		PARTS LIST		
UNLESS OTHERWISE SPECIFIED DIMENSION IN INCHES				
DECIMALS	ANGLES			
0.005	0.30	TITLE		
REMOVE BURRS AND FILE ALL SHARP CORNERS SURFACE QUALITY 3		WRITE MASSBUS TIMING DIAGRAM		
MATERIAL	NEXT HIGHER ASSY.	SIZE CODE	NUMBER	REV.
	E-DD-RH11-2	DTD	RH11-2-07	
FINISH	SCALE NONE	SHEET	OF 1	DIST



FIRST USED ON OPTION MODEL	QTY.	DESCRIPTION	PART NO.	ITEM NO.
RH11				
UNLESS OTHERWISE SPECIFIED DIMENSIONS IN INCHES				
TOLERANCES				
DECIMALS	ANGLES	DATE		
±.005	±.030	DATE		
±.02		DATE		
±.03		DATE		
REMOVE BURRS AND BREAK SHARP CORNERS SURF. FINISH				
MATERIAL	SCALE	DATE	DATE	DATE
	B-D0-RH11-0			
FINISH	SCALE NONE	TITLE		
		READ + WRITE CHECK MASSBUS (TIMING DIAGRAM)		
		SIZE CODE	NUMBER	REV.
		DITD RH11-0-08		



REVISIONS

NO.	DATE	DESCRIPTION
1		

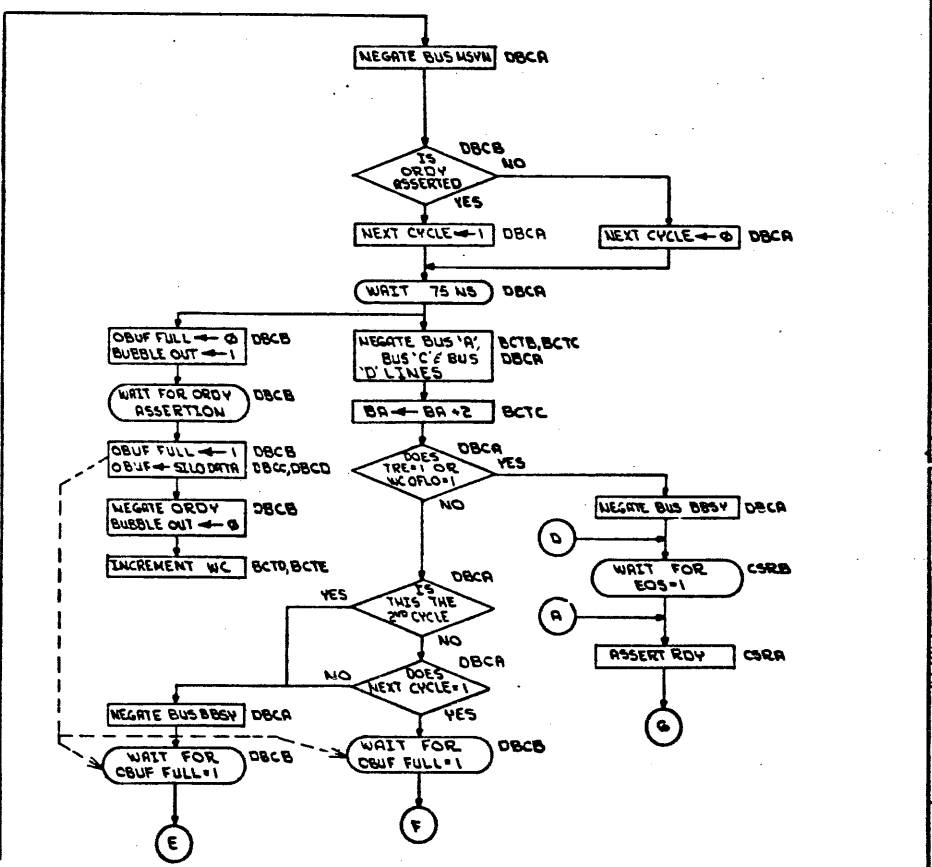
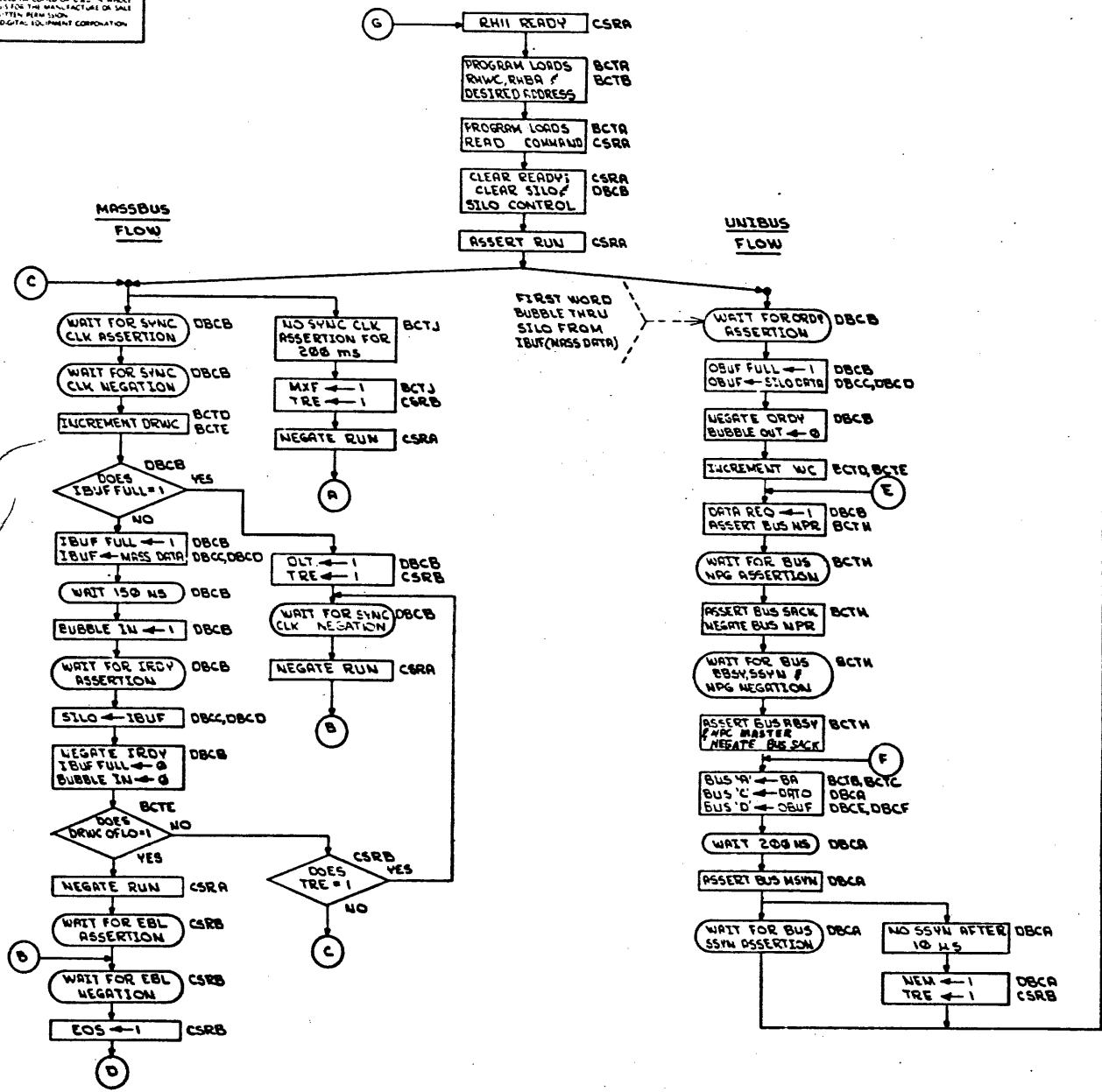
FIRST USED ON OPTION MODEL	QTY.	DESCRIPTION	PART NO.	ITEM NO.
RH11				

UNLESS OTHERWISE SPECIFIED DIMENSIONS ARE IN INCHES		TOLERANCES	
DECIMALS	ANGLES	DECIMALS	ANGLES
xxx + .005	0 30	xxx + .005	0 30
xxx + .02		xxx + .02	
xxx + .1		xxx + .1	

MATERIAL	NEXT HIGHER ASSY.	SIZE/GAUGE	NUMBER	REV.
	B-CD-RH11-3		DFDRH11-0-09	
FINISH	SCALE NONE	SCALE		

DFDRH11-0-09

THE DRAWING AND SPECIFICATIONS SHALL BE THE PROPERTY OF DIGITAL EQUIPMENT CORPORATION AND SHALL NOT BE REPRODUCED OR TRANSMITTED IN ANY FORM OR BY ANY MEANS, ELECTRONIC OR MECHANICAL, INCLUDING PHOTOCOPYING, RECORDING, OR BY ANY INFORMATION STORAGE AND RETRIEVAL SYSTEM, WITHOUT THE WRITTEN PERMISSION OF DIGITAL EQUIPMENT CORPORATION.

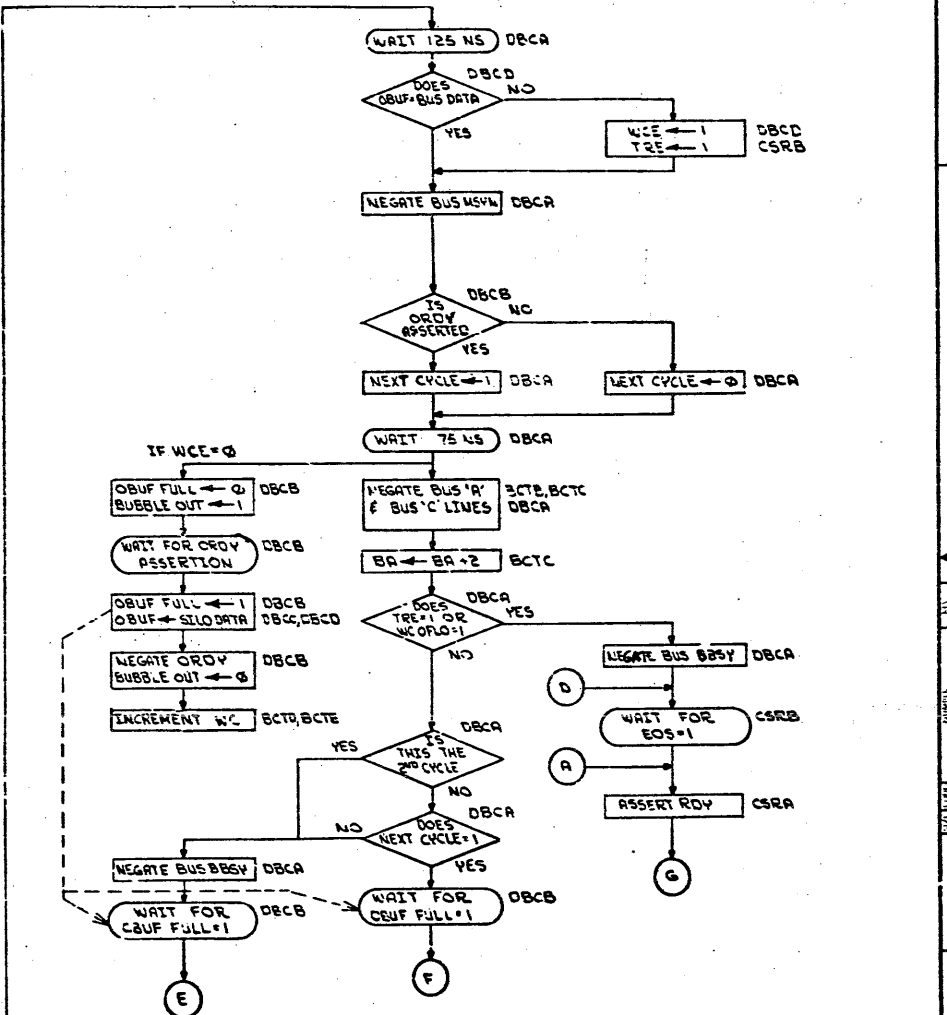
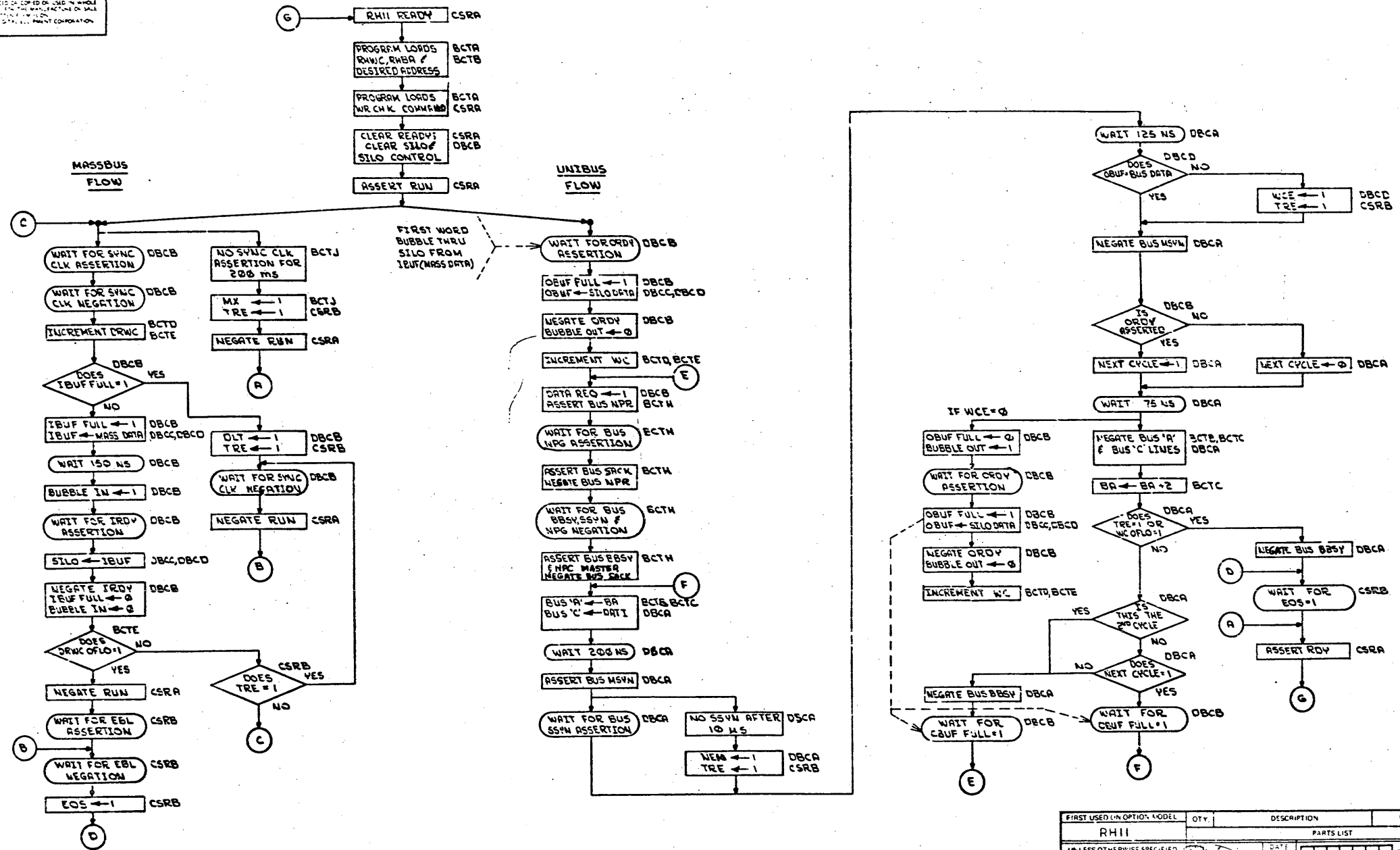


REV	DATE	BY	CHKD
1	11-20-73	S. J. MURPHY	

FIRST USED ON OPTION MODEL	QTY	DESCRIPTION	PART NO.	ITEM NO.
RH11				
UNLESS OTHERWISE SPECIFIED DIMENSION IN INCHES				
TOLERANCES				
DECIMALS	ANGLES	DATE	PARTS LIST	
xxx = .005	° 30'	DATE	digital EQUIPMENT CORPORATION	
xx = .02		DATE	MILITARY MANUFACTURING	
x = .1		DATE	TITLE	
REMOVE BURRS AND BREAK SHARP CORNERS SURFACE QUALITY				
MATERIAL				
NEXT HIGHER ASSY.				
FINISH				
SCALE NONE				
SHEET OF				
B-DD-RH11-0			NUMBER	REV.
DFDRH11-0-10			DFDRH11-0-10	A

DFDRH11-0-10

THE DRAWING AND SPECIFICATION SHALL BE THE PROPERTY OF DIGITAL EQUIPMENT CORPORATION AND SHALL NOT BE REPRODUCED OR COPIED IN WHOLE OR IN PART WITHOUT THE WRITTEN PERMISSION OF SAID CORPORATION. ©1973 DIGITAL EQUIPMENT CORPORATION.



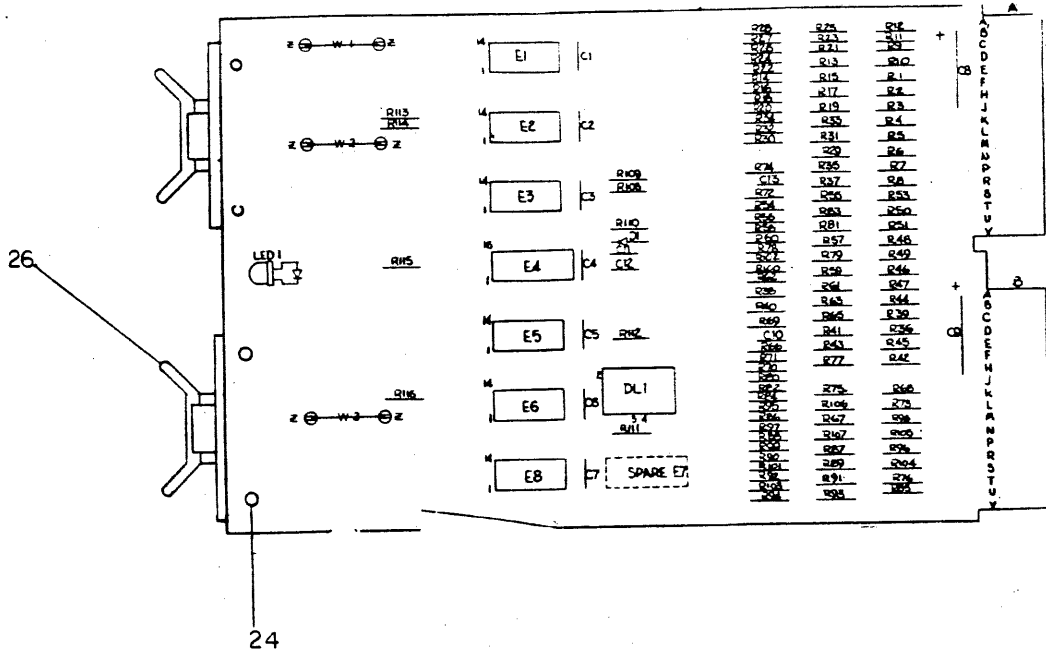
REV. 1	DATE	BY	CHKD
REV. 2	DATE	BY	CHKD
REV. 3	DATE	BY	CHKD
REV. 4	DATE	BY	CHKD

FIRST USED IN OPTION MODEL	QTY.	DESCRIPTION	PART NO.	ITEM NO.
RHII				
UNLESS OTHERWISE SPECIFIED DIMENSION IN INCHES				
TOLERANCES				
DECIMALS	ANGLES			
±.005	0.30			
±.02				
±.1				
MATERIAL				
NEXT HIGHER ASSY				
B-DD-RHII-2				
SCALE				
FINISH				

PARTS LIST		TITLE	
digital EQUIPMENT CORPORATION		WRITE CHECK COMMAND FLOW DIAGRAM	
NUMBER		REV.	
DFDRHII-0-11		A	

This drawing and specifications, herein, are the property of Digital Equipment Corporation and shall not be reproduced or used in whole or in part in any manner for the purpose of copying or reproduction without permission. COPYRIGHT © 1973 DIGITAL EQUIP CORP

NOTES:



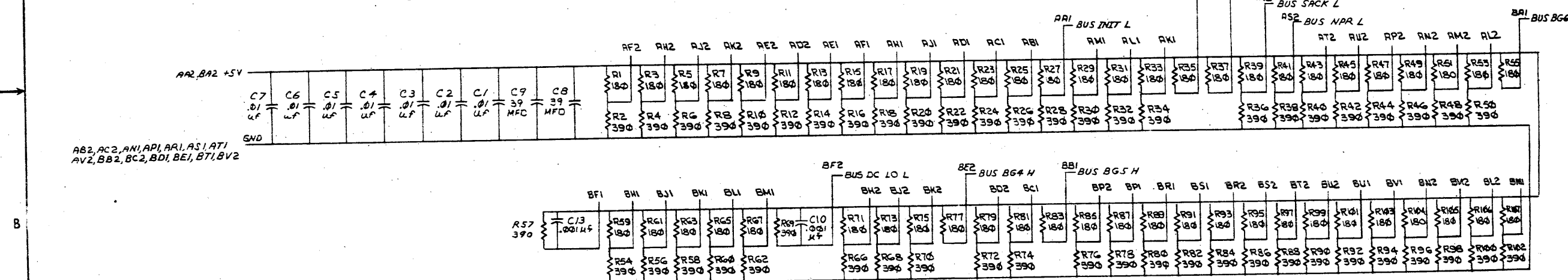
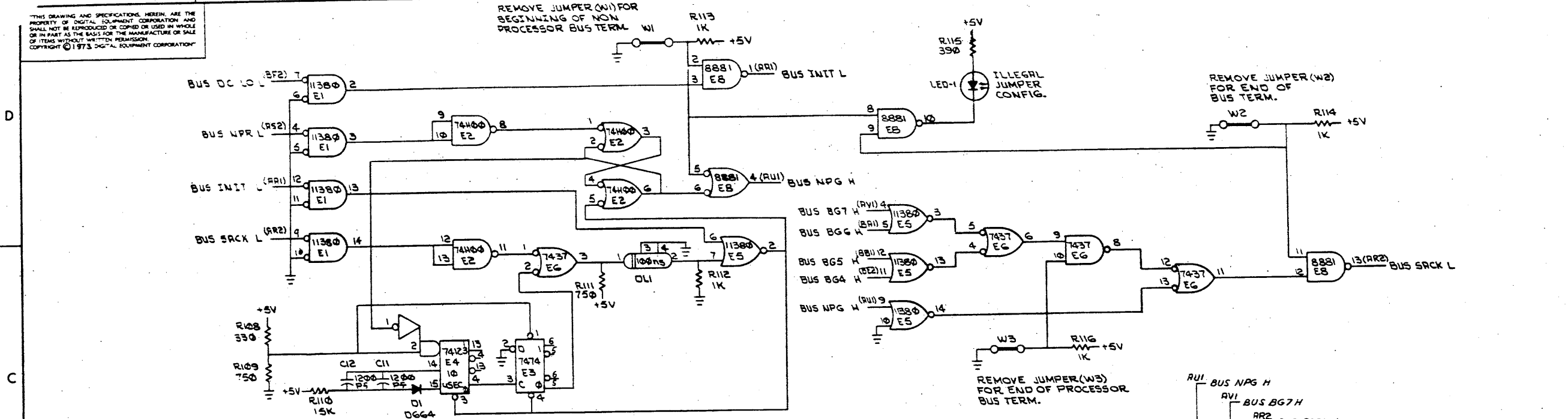
278	R28	R28
279	R29	R29
280	R30	R30
281	R31	R31
282	R32	R32
283	R33	R33
284	R34	R34
285	R35	R35
286	R36	R36
287	R37	R37
288	R38	R38
289	R39	R39
290	R40	R40
291	R41	R41
292	R42	R42
293	R43	R43
294	R44	R44
295	R45	R45
296	R46	R46
297	R47	R47
298	R48	R48
299	R49	R49
300	R50	R50
301	R51	R51
302	R52	R52
303	R53	R53
304	R54	R54
305	R55	R55
306	R56	R56
307	R57	R57
308	R58	R58
309	R59	R59
310	R60	R60
311	R61	R61
312	R62	R62
313	R63	R63
314	R64	R64
315	R65	R65
316	R66	R66
317	R67	R67
318	R68	R68
319	R69	R69
320	R70	R70
321	R71	R71
322	R72	R72
323	R73	R73
324	R74	R74
325	R75	R75
326	R76	R76
327	R77	R77
328	R78	R78
329	R79	R79
330	R80	R80
331	R81	R81
332	R82	R82
333	R83	R83
334	R84	R84
335	R85	R85
336	R86	R86
337	R87	R87
338	R88	R88
339	R89	R89
340	R90	R90
341	R91	R91
342	R92	R92
343	R93	R93
344	R94	R94
345	R95	R95
346	R96	R96
347	R97	R97
348	R98	R98
349	R99	R99
350	R100	R100
351	R101	R101
352	R102	R102
353	R103	R103
354	R104	R104
355	R105	R105
356	R106	R106
357	R107	R107
358	R108	R108
359	R109	R109
360	R110	R110
361	R111	R111
362	R112	R112
363	R113	R113
364	R114	R114
365	R115	R115
366	R116	R116
367	R117	R117
368	R118	R118

QTY	REF DESIGNATION	DESCRIPTION	PART NO.	ITEM NO.
		#22 AWG BUS WIRE	9107560-01	27
2		HANDLE CHIP MAGENTA	90053376	28
6		SPLIT LUG	9006735	29
4		EYELETS	9006732	30
2	E5, E1	IC DEC 11380	191113	31
1	E4	IC DEC 74123	1910436	32
1	E6	IC DEC 7437	1910000	33
1	E8	IC DEC 8881	1909705	34
1	E2	IC DEC 74100	1909056	35
1	E3	IC DEC 7476	1905547	36
1	DL1	DELAY LINE	1609559	37
1	R108	RES 330 1/4W 5%	1300295	38
2	R109, R111	RES 750 1/4W 5%	1301401	39
52	R2, R4, R6, R8, R10, R12, R14, R16, R18, R20, R22, R24, R26, R28, R30, R32, R34, R36, R38, R40, R42, R44, R46, R48, R50, R52, R54, R56, R58, R60, R62, R64, R66, R68, R70, R72, R74, R76, R78, R80, R82, R84, R86, R88, R90, R92, R94, R96, R98, R100, R102, R104, R106, R108, R110, R112, R114, R116, R118	RES 390 1/4W 5%	1300309	40
54	R13, R15, R17, R19, R21, R23, R25, R27, R29, R31, R33, R35, R37, R39, R41, R43, R45, R47, R49, R51, R53, R55, R57, R59, R61, R63, R65, R67, R69, R71, R73, R75, R77, R79, R81, R83, R85, R87, R89, R91, R93, R95, R97, R99, R101, R103, R105, R107, R109, R111, R113, R115, R117, R119	RES 180 1/4W 5%	1301322	41
1	R110	RES 15K 1/4W 5%	1300496	42
4	R11, R16, R13, R12	RES 1K 1/4W 5%	1300365	43
1	LED1	DIODE LED	1110864	44
1	D1	DIODE D664	1100114	45
2	C11, C12	CAP 1200 PF 100V 5% DM	1002424	46
7	C1, C2, C3, C4, C5, C6, C7	CAP .01UF 50V 20% AXIAL	1001610	47
2	C8, C9	CAP 39UF 10V 10% STANT	1000076	48
2	C10, C13	CAP .001UF 250V 20% DISC	1000043	49
1		ETCHED CIRCUIT BOARD	5010509	50
REF		MODULE ECO HISTORY	B-M-11300-0-6	51
REF		ASSY/DRILLING HOLE LAYOUT	D-M-11300-0-5	52
REF		X-Y COORDINATE HOLE LOCATION	K-CD-11300-0-4	53

74123	8	16
11380	1	8
IC TYPE	GND	+5V
GND AND 5V ARE USUALLY PIN 7 AND 14 RESPECTIVELY EXCEPTIONS ARE STATED ABOVE		
IC PIN LOCATIONS		

FIRST USED ON OPTION MODEL		PARTS LIST	
RH11		ETCH BOARD REV A	
CHANGE NO.	REV	DATE	BY
D664	1	3/8/73	Chastain
TIL-209	1	7/19/73	Chastain
		6/11/73	Jenkins
		6/11/73	Jenkins
		6/11/73	Jenkins
		6/11/73	Jenkins
SEMICONDUCTOR CONVERSION CHART		TITLE	
DEC NO.	EIA NO.	DEC NO.	EIA NO.
SCALE		NUMBER	
1 OF 2		DICS M3300-0-1	

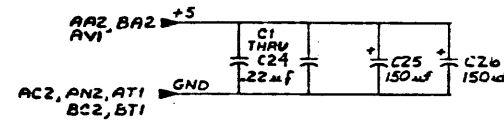
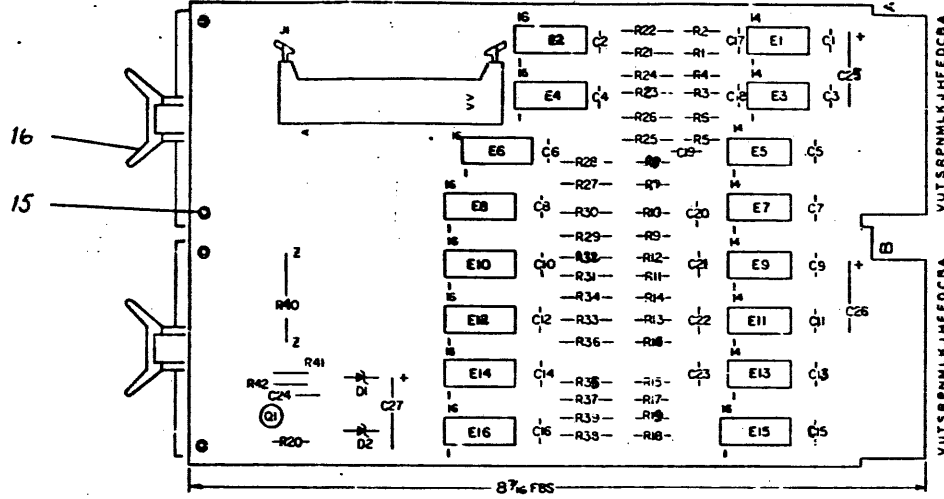
THIS DRAWING AND SPECIFICATIONS HEREIN ARE THE PROPERTY OF DIGITAL EQUIPMENT CORPORATION AND SHALL NOT BE REPRODUCED OR COPIED OR USED IN WHOLE OR IN PART AS THE BASIS FOR THE MANUFACTURE OR SALE OF ITEMS WITHOUT WRITTEN PERMISSION. COPYRIGHT © 1973 DIGITAL EQUIPMENT CORPORATION



REVISIONS		
CHK	CHANGE NO.	REV.

This drawing and specifications remain the property of Digital Equipment Corporation and shall not be reproduced or copied in whole or in part for any purpose other than as authorized by Digital Equipment Corporation. COPYRIGHT © 1973 DIGITAL EQUIP. CORP.

NOTES:



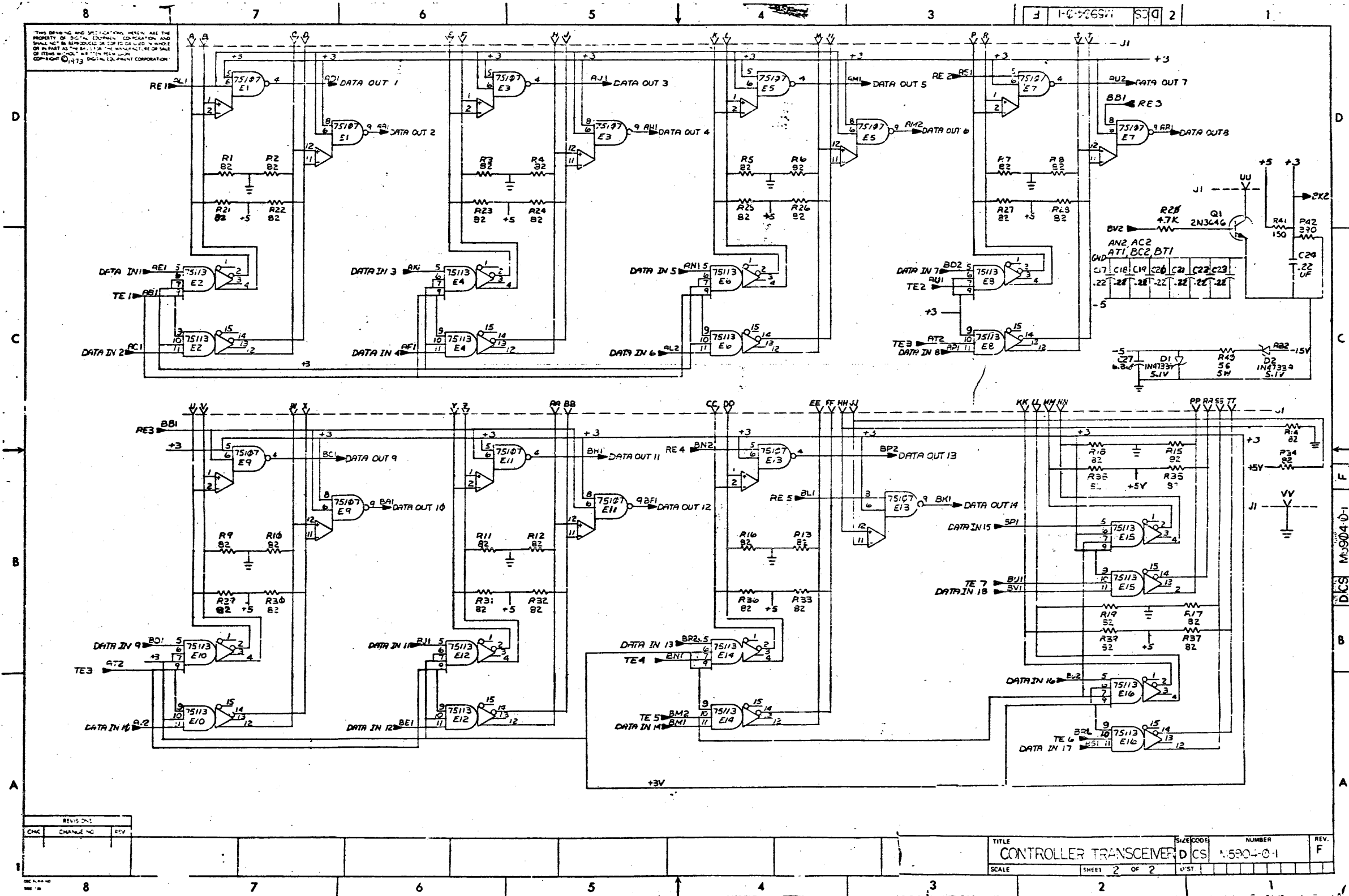
REF	QTY	REF DESIGNATION	DESCRIPTION	PART NO.	ITEM NO.
REF		X-Y COORDINATE HOLE LOCATION	K-CO-M5904-0-1		1
REF		ASSY/DRILLING HOLE LAYOUT	D-RA-M5904-0-1		2
REF		MODULE ECO HISTORY	B-AM-M5904-0-1		3
1		ETCHED CIRCUIT BOARD	S210503		4
24		C1 THRU C24	CAP. .22 μf 20% 50V DISC	1010274	5
2		D1, D2	DIODE ZENER 1N4733A 5.1V 1W	1104943	7
19		R21 THRU R39	RES. 5% 1/2W	1301781	8
14		R1 THRU R19	RES. 5% 1/4W	1301477	9
1		R41	RES. 150 5% 1/4W	1300250	10
1		R42	RES. 390 5% 1/4W	1300309	11
1		R43	RES. 56 5% 5W	1311337	12
7		E1, E3, E5, E7, E9, E11, E13	I.C. DEC 75107B	1910268	13
9		E2, E4, E6, E8, E10, E12, E14, E15, E16	I.C. DEC 75113	1911341	14
4		Eyelet		9006732	15
2		HANDLE, FLIP-CHIP MAGENTA		9008337-06	16
1		U1	CONN. (60 PIN)	1203941-2	17
2		C25, C26	CAP. 150 μf 20% 6V	1005572	18
1		Q1	TRANS. DEC 2N3646	1503014-00	19
1		R20	RES. 4.7K 5% 1/4W	1300447-00	20
1		C27	CAP. 6.8 μf 35V S TAHT	1005306	21
1		CLIP		1209941-3	22
1		CLIP		1209941-4	23

IC TYPE	-5V	GND	+5V
I.C. 75107B	13	7	14
I.C. 75113	-	5	16
IC PIN LOCATIONS			

GND AND 5V ARE USUALLY PIN 1 AND 14 RESPECTIVELY. EXCEPTIONS ARE STATED ABOVE.

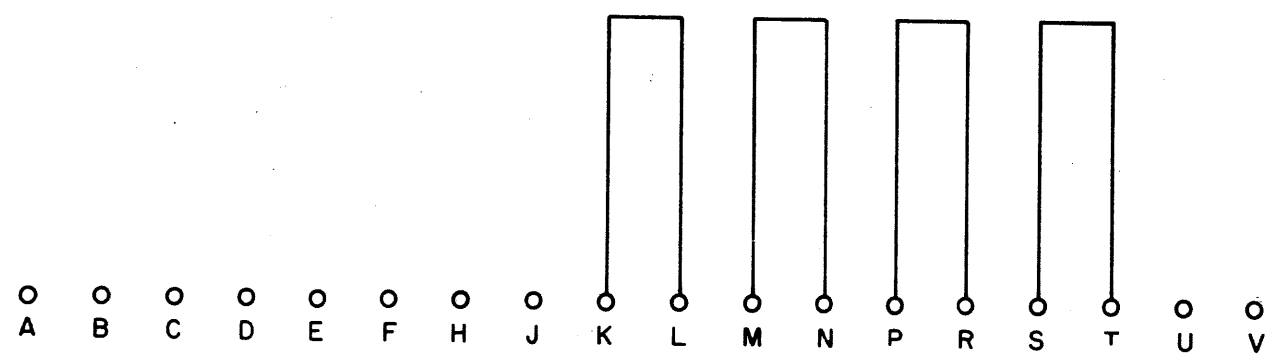
QTY	REF DESIGNATION	DESCRIPTION	PART NO.	ITEM NO.																				
RH11	ETCH BOARD REV F																							
<table border="0"> <tr> <td>DRN</td> <td>J. Winick</td> <td>DATE</td> <td>10-23-73</td> </tr> <tr> <td>CHK'D</td> <td>D. Wailes</td> <td>DATE</td> <td>2/2/78</td> </tr> <tr> <td>ENG'G</td> <td>M. L. [unclear]</td> <td>DATE</td> <td>1/2/78</td> </tr> <tr> <td>PROJ ENG'G</td> <td>[unclear]</td> <td>DATE</td> <td>1/2/78</td> </tr> <tr> <td>PROD.</td> <td>R. K. [unclear]</td> <td>DATE</td> <td>7/2/78</td> </tr> </table>					DRN	J. Winick	DATE	10-23-73	CHK'D	D. Wailes	DATE	2/2/78	ENG'G	M. L. [unclear]	DATE	1/2/78	PROJ ENG'G	[unclear]	DATE	1/2/78	PROD.	R. K. [unclear]	DATE	7/2/78
DRN	J. Winick	DATE	10-23-73																					
CHK'D	D. Wailes	DATE	2/2/78																					
ENG'G	M. L. [unclear]	DATE	1/2/78																					
PROJ ENG'G	[unclear]	DATE	1/2/78																					
PROD.	R. K. [unclear]	DATE	7/2/78																					
<table border="0"> <tr> <td>IN4733A</td> <td>SAME</td> <td colspan="3"></td> </tr> <tr> <td>DEC 2046</td> <td>SAME</td> <td colspan="3"></td> </tr> </table>					IN4733A	SAME				DEC 2046	SAME													
IN4733A	SAME																							
DEC 2046	SAME																							
<table border="0"> <tr> <td>DEC NO.</td> <td>EIA NO.</td> <td>DEC NO.</td> <td>EIA NO.</td> </tr> </table>					DEC NO.	EIA NO.	DEC NO.	EIA NO.																
DEC NO.	EIA NO.	DEC NO.	EIA NO.																					
<table border="0"> <tr> <td colspan="4">SEMICONDUCTOR CONVERSION CHART</td> </tr> <tr> <td>SHEET</td> <td>1</td> <td>OF</td> <td>2</td> </tr> </table>					SEMICONDUCTOR CONVERSION CHART				SHEET	1	OF	2												
SEMICONDUCTOR CONVERSION CHART																								
SHEET	1	OF	2																					
<table border="0"> <tr> <td>DATE</td> <td>10/23/73</td> <td>BY</td> <td>J. Winick</td> </tr> <tr> <td>DATE</td> <td>2/2/78</td> <td>BY</td> <td>D. Wailes</td> </tr> <tr> <td>DATE</td> <td>1/2/78</td> <td>BY</td> <td>M. L. [unclear]</td> </tr> <tr> <td>DATE</td> <td>7/2/78</td> <td>BY</td> <td>R. K. [unclear]</td> </tr> </table>					DATE	10/23/73	BY	J. Winick	DATE	2/2/78	BY	D. Wailes	DATE	1/2/78	BY	M. L. [unclear]	DATE	7/2/78	BY	R. K. [unclear]				
DATE	10/23/73	BY	J. Winick																					
DATE	2/2/78	BY	D. Wailes																					
DATE	1/2/78	BY	M. L. [unclear]																					
DATE	7/2/78	BY	R. K. [unclear]																					
<table border="0"> <tr> <td colspan="3">EQUIPMENT CORPORATION</td> <td colspan="2">TITLE</td> </tr> <tr> <td colspan="3">CONTROLLER TRANSCEIVER</td> <td colspan="2">SCALE</td> </tr> <tr> <td colspan="3">D-UA-M-111-D-D</td> <td colspan="2">DIST.</td> </tr> </table>					EQUIPMENT CORPORATION			TITLE		CONTROLLER TRANSCEIVER			SCALE		D-UA-M-111-D-D			DIST.						
EQUIPMENT CORPORATION			TITLE																					
CONTROLLER TRANSCEIVER			SCALE																					
D-UA-M-111-D-D			DIST.																					
<table border="0"> <tr> <td>SIZE/SCALE</td> <td>NUMBER</td> <td>REV.</td> </tr> <tr> <td>D-UE-M5904-0-1</td> <td>F</td> <td></td> </tr> </table>					SIZE/SCALE	NUMBER	REV.	D-UE-M5904-0-1	F															
SIZE/SCALE	NUMBER	REV.																						
D-UE-M5904-0-1	F																							

REV	CHANGE NO	DATE	BY
1			
2			
3			
4			



THIS SCHEMATIC IS FURNISHED ONLY FOR TEST AND MAINTENANCE PURPOSES. THE CIRCUITS ARE PROPRIETARY IN NATURE AND SHOULD BE TREATED ACCORDINGLY. COPYRIGHT 1969 BY DIGITAL EQUIPMENT CORPORATION

REV. NUMBER SIZE CODE

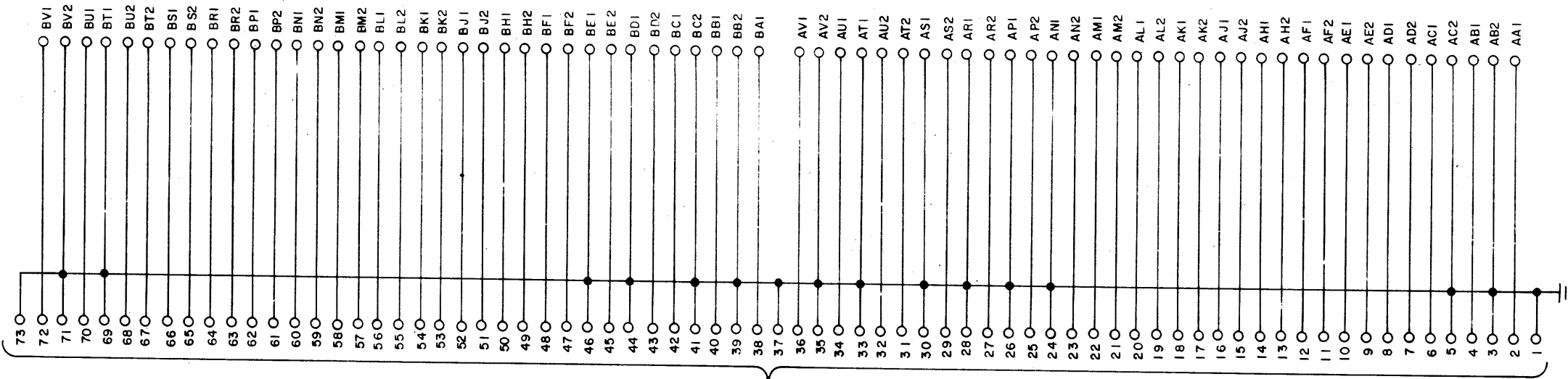


REVISIONS CHK CHG NO. REV.	DRN. BUTLER	DATE 11-19-69	TRANSISTOR & DIODE CONVERSION CHART				digital EQUIPMENT CORPORATION MAYNARD, MASSACHUSETTS	TITLE GRANT CONTINUITY G727			
	CHK'D <i>P. J. Smith</i>	DATE 6-1-70	DEC	EIA	DEC	EIA		SIZE B	CODE CS	NUMBER G727-0-1	REV.
	ENG. <i>P. E. Johnson</i>	DATE 1/28/70						PRINTED CIRCUIT REV. A			
	PROD.	DATE									

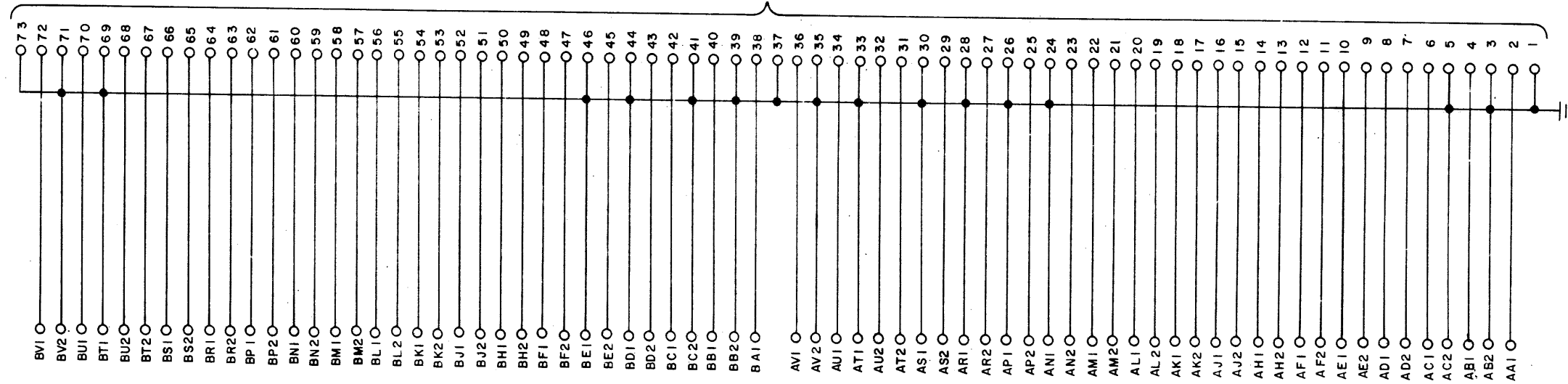
DEC FORM NO. DRB 102

DIST. 324, 434, 435-3 TW

THIS SCHEMATIC IS FURNISHED ONLY FOR TEST AND MAINTENANCE PURPOSES. THE CIRCUITS ARE PROPRIETARY IN NATURE AND SHOULD BE TREATED ACCORDINGLY. COPYRIGHT 1969 BY DIGITAL EQUIPMENT CORPORATION



FLEX PRINT CONNECTOR



REVISIONS	
CHK	CHG NO (RLV)
A	00001
B	00002
C	00004

DEC FORM NO. 784102

DRN	DATE
<i>R. Williams</i>	11-5-69
CHK'D	DATE
<i>L. Williams</i>	11-2-69
ENG	DATE
<i>C.R. Williams</i>	7-11-69
PROD	DATE
	1-2-

TRANSISTOR & DIODE CONVERSION CHART			
DEC		EIA	

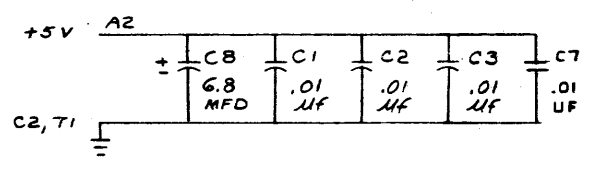
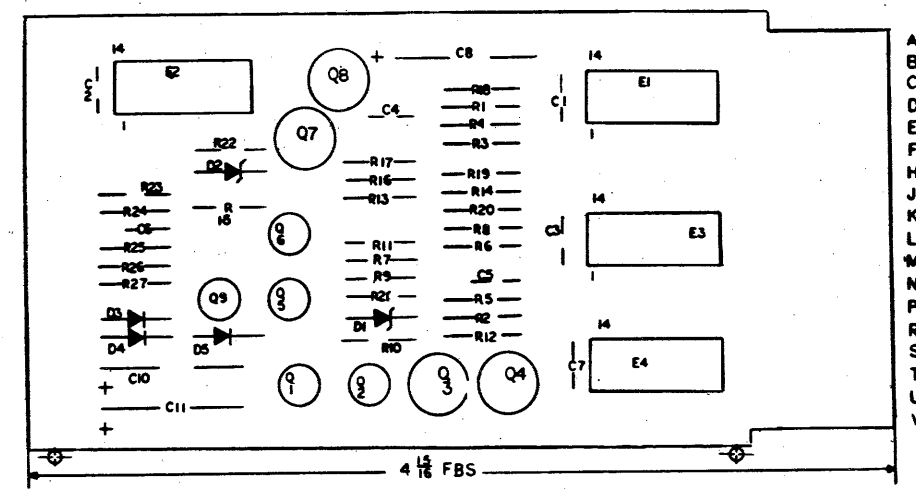
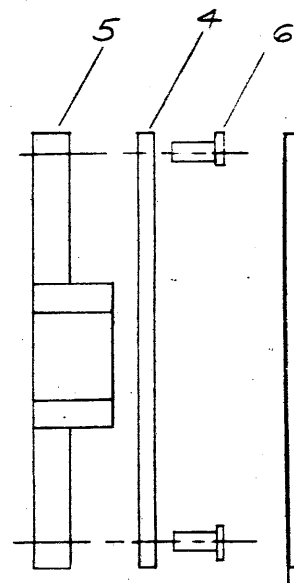
digital
EQUIPMENT CORPORATION
MAYNARD, MASSACHUSETTS

TITLE			
INTERNAL BUS CONNECTOR			
M920			
SIZE	CODE	NUMBER	REV.
C	CS	M920-0-1	C
PRINTED CIRCUIT REV.			B

SIZE CODE NUMBER REV.
C CS M920-0-1 C

This drawing and specifications, herein, are the property of Digital Equipment Corporation and shall not be reproduced or copied or used in whole or in part as the basis for the manufacture or sale of items without written permission.

NOTES:



IC TYPE	GND	+5V
GND AND 5V ARE USUALLY PIN 7 AND 14 RESPECTIVELY. EXCEPTIONS ARE STATED ABOVE.		
IC PIN LOCATIONS		

D. B. VONADA 18-APR-77	D. VONADA	C. BOURGON 17-APR-77	F. M688-01006	DON VONADA	M. H. HANSEN 8-6-74	A. M688-09005	S. ROTHMAN	M688-00004	D	M688-00004	12-5-73	S. ROTHMAN	M688-00003	C	M688-00003	1-16-72	S. ROTHMAN	M688-00002	B	M688-00002	10-25-72	S. ROTHMAN	M688-00001	A	M688-00001	9-20-72
---------------------------	-----------	-------------------------	---------------	------------	------------------------	---------------	------------	------------	---	------------	---------	------------	------------	---	------------	---------	------------	------------	---	------------	----------	------------	------------	---	------------	---------

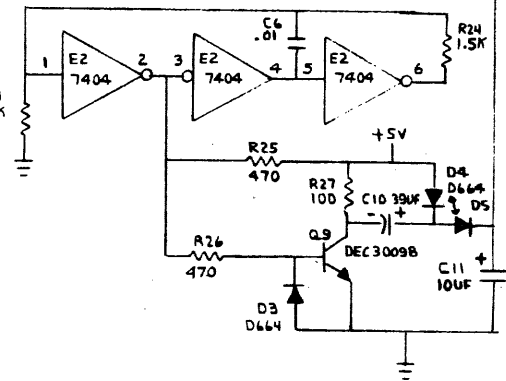
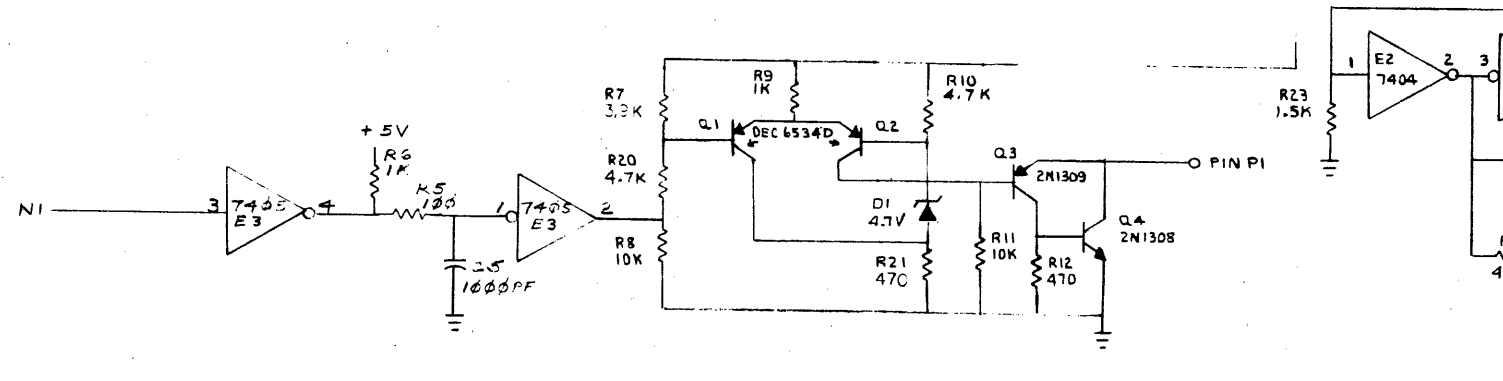
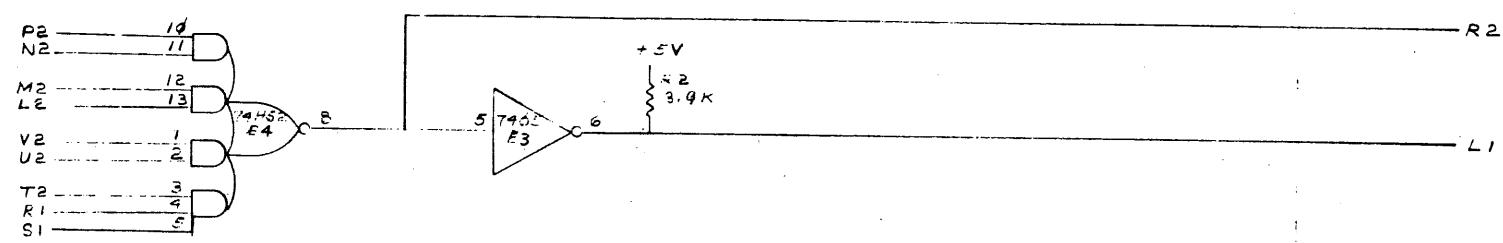
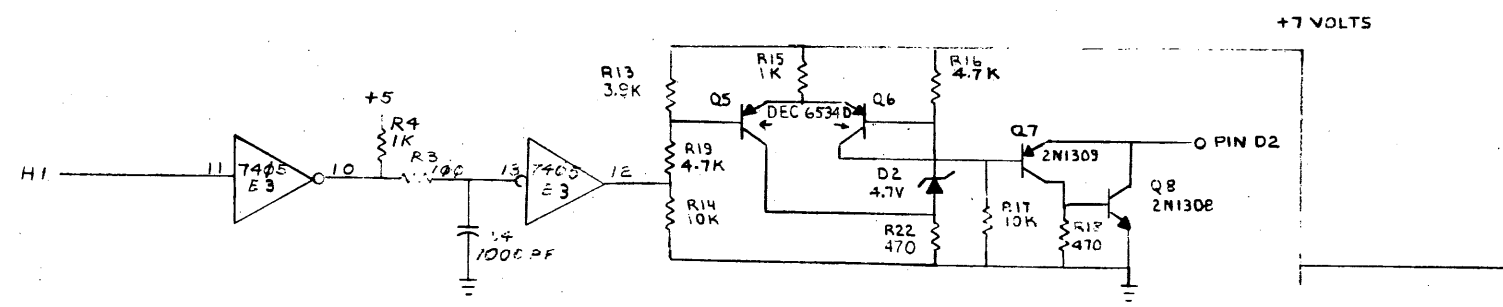
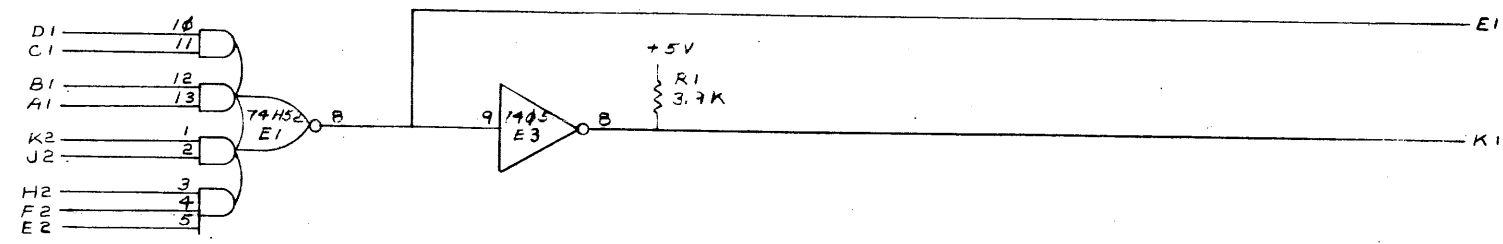
FIRST USED ON OPTION MODEL
PDP 11

QTY	REF DESIGNATION	DESCRIPTION	PART NO.	ITEM NO.
	4 Q3, Q4, Q7, Q8	TRANSIPADS	9C07200	32
	1 C11	CAP. 10UF 20V 10%	1304813	30
	1 C10	CAP. 39UF 10V 10%	1000076	29
	4 R19, R20, R10, R16	RES. 4.7K 1/4W 5%	1300447	28
	2 R23, R24	RES. 1.5K 1/4W 5%	1300391	27
	6 R12, R18, R25, R26, R21, R22	RES. 470 1/4W 5%	1300316	26
	1 Q9	TRANSISTOR DEC 3009B	1503100	24
	3 D3, D4, D5	DIODE D664	1100114	23
	1 E2	IC DEC 7404	1909686	22
	5 C1, C2, C3, C6, C7	CAP. .01UF 100V 20% DISC	1001610	21
	1 C8	CAP. 6.8UF. 35V, 20% TANT	1000067	20
	2 C4, C5	CAP. 1000PF. 100V, 5% MICA	1000042	19
	2 D1, D2	DIODE INT50A 4.7V ZENER	1100124	18
	4 R8, R11, R14, R17	RES. 10K 1/4 5%	1300479	16
	4 R1, R2, R7, R13	RES. 3.9K 1/4 5%	1300444	15
	4 R4, R6, R15, R9	RES. 1K 1/4 5%	1300365	14
	3 R3, R5, R27	RES. 100 1/4 5%	1300229	13
	4 Q1, Q2, Q5, Q6	TRANS. DEC 6534D	1503409	12
	2 Q3, Q7	TRANS. 2N1309	1501311	11
	2 Q4, Q8	TRANS. 2N1308	1500583	10
	1 E3	IC DEC 7405	1909930	9
	2 E1, E4	IC DEC 74H52	1909061	8
	2	EYELET	9006732	7
	7	HANDLE, FLIP CHIP-MAGENTA	9008337-06	5
	1	ETCHED CKT BD	5010085	4
	REF	MODULE ECO HISTORY	B-MH-M688-0-6	3
	REF	ASSY/DRILLING HOLE LAYOUT	D-AH-M688-0-5	2
	REF	X-Y COORDINATE HOLE LOCATION	K-CO-M688-2-4	1

ETCH BOARD REV B		PARTS LIST	
DEC 6534D	NONE	2N1309	SAME
2N1308	SAME	IN748A	SAME
DEC NO.	EIA NO.	DEC NO.	EIA NO.
SEMICONDUCTOR CONVERSION CHART			
SCALE NONE		SHEET 1 OF 2	
digital EQUIPMENT CORPORATION		TITLE UNIBUS POWER FAIL DRIVERS	
SIZE CODE DCSM688-0-1		REV. F	

This drawing and specifications, herein, are the property of Digital Equipment Corporation and shall not be reproduced or copied in whole or in part as the basis for the manufacture or sale of items without written permission.

1-0-889W S 2



BRUNING 40-322 15840
 REVISIONS
 CHANGE NO.
 CHK

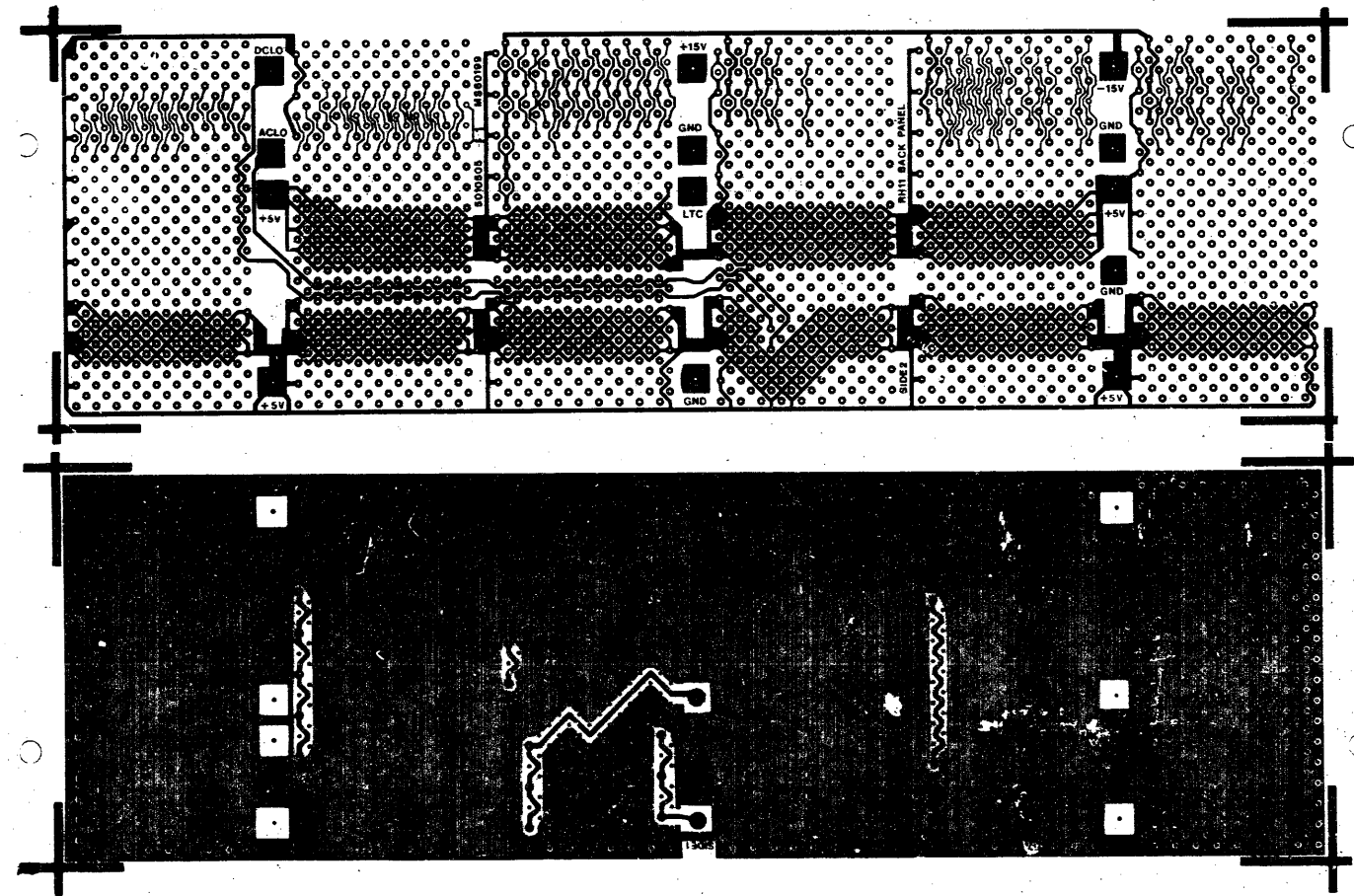
FIRST USED ON OPTION/MODEL	QTY.	DESCRIPTION	PART NO.	ITEM NO.
PDP 11				
PARTS LIST				
UNLESS OTHERWISE SPECIFIED DIMENSION IN INCHES TOLERANCES		DRN 5/18/72	DATE 5/18/72	 digital EQUIPMENT CORPORATION MAYNARD, MASSACHUSETTS
DECIMALS	ANGLES	CHK'D K. Cole	DATE 6/1/72	
.XXX - .005	±0° 30'	ENG J. Patten	DATE 6/1/72	
.XX - .02		PROJ. ENG M. S. Han	DATE 6/1/72	
.X - .1		PROQ. J. Patten	DATE 6/1/72	
REMOVE BURRS AND BREAK SHARP CORNERS SURFACE QUALITY		TITLE UNIBUS POWER FAIL DRIVERS		
MATERIAL		NEXT HIGHER ASSY.		
FINISH		SCALE NONE		
		SHEET 2 OF 2		
		SIZE CODE NUMBER DCS M688-0-1		
		REV. F		

REV. F
 NUMBER
 DCS M688-0-1
 SIZE CODE

8 7 6 5 4 3

NOTES:
 THIS DRAWING AND THE PARTS LIST THEREON ARE THE PROPERTY OF DIGITAL EQUIPMENT CORPORATION AND SHALL NOT BE REPRODUCED, COPIED, EITHER WHOLLY OR IN PART, OR TRANSMITTED IN ANY FORM OR BY ANY MEANS, ELECTRONIC OR MECHANICAL, INCLUDING PHOTOCOPYING, RECORDING, OR BY ANY INFORMATION STORAGE AND RETRIEVAL SYSTEM, WITHOUT THE EXPRESS WRITTEN PERMISSION OF DIGITAL EQUIPMENT CORPORATION.
 ©1973 DIGITAL EQUIPMENT CORPORATION.

NOTES:



REF	ASSEMBLY DRILLING HOLE LAYOUT	DAW-5410506-0-5	1
REF	MODULE ECO HISTORY	B-MH-5410506-0-6	2
REF	X-Y COORDINATE HOLE LOCATION	KCO-5410506-0-4	3
1	ETCHED CIRCUIT BOARD	5010505	4

IC TYPE	GND	+5V

GND AND 5V ARE USUALLY PIN 7 AND 14 RESPECTIVELY. EXCEPTIONS ARE STATED ABOVE

IC PIN LOCATIONS

ORIGINATED	B
CHANGED	
REVISIONS	

7.11.74
 S. JENNINGS
 4.21.74
 H. DENNINGS
 5410506-00001
 C

QTY	REF DESIGNATION	DESCRIPTION	PART NO	ITEM NO
	RH11	ETCH BOARD REV D		

ORNL	DATE	7-20-73
CHKD.	DATE	7-30-73
ENGR.	DATE	8-3-73
PROVING	DATE	8-3-73
FROD.	DATE	8-3-73



RH11
BACK PANEL

SCALE	NONE
SHEET	OF
SHEET	OF

D CS 5410506-0-1 C

8 7 6 5 4 3 2 1

This drawing and specifications, herein, are the property of Digital Equipment Corporation and shall not be reproduced or copied or used in whole or in part as the basis for the manufacture or sale of items without written permission. COPYRIGHT © 1973

DIGITAL EQUIP. CORP.

REV. D NUMBER 21-0-12 SIZE CODE K WL

2

1


4

3

B

B



FIRST USED ON OPTION MODEL	QTY.	DESCRIPTION	PART NO.	ITEM NO.
RH11				
PARTS LIST				
DRN. T.V. (EBC) [Signature]	DATE 19 JUNE 73	 EQUIPMENT CORPORATION MAYNARD, MASSACHUSETTS		
CHK'D. [Signature]	DATE 1/6/73			
ENG. [Signature]	DATE 8-12-73			
PROJ. ENG. [Signature]	DATE 8-13-73			
PRCD. [Signature]	DATE 8-12-73			
NEXT HIGHER ASSEMBLY		TITLE		
D-AD-700939700		WIRE LIST		
SCALE NONE	SHEET 1 OF 1	SIZE CODE K WL	NUMBER RH11-0-12	REV. D
		DIST.		

REVISIONS	CHANGE NO.	REV.
	RH11-00003	A
JENKINS		
7-30-74		
	RH11-00007	B
	RH11-00008	C
	RH11-TW010	D

DEC FORM NO. DRB 109

4

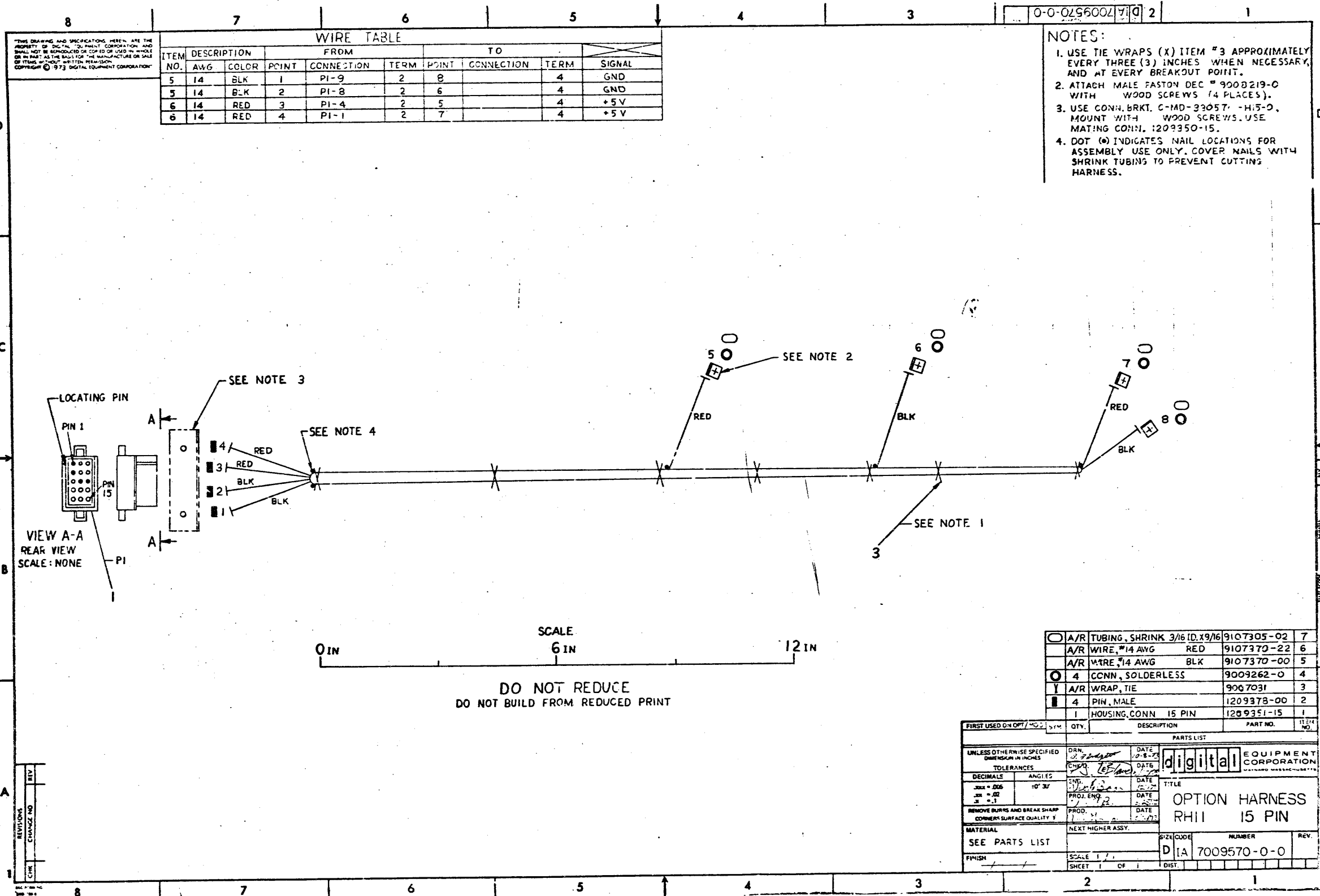
3

2

1



TW



THIS DRAWING AND SPECIFICATIONS HEREIN ARE THE PROPERTY OF DIGITAL EQUIPMENT CORPORATION AND SHALL NOT BE REPRODUCED OR COPIED OR USED IN WHOLE OR IN PART AS THE BASIS FOR THE MANUFACTURE OR SALE OF ITEMS WITHOUT WRITTEN PERMISSION. COPYRIGHT © 1973 DIGITAL EQUIPMENT CORPORATION.

WIRE TABLE									
ITEM NO.	DESCRIPTION	FROM			TO			SIGNAL	
		AWG	COLOR	POINT	CONNECTION	TERM	POINT		CONNECTION
5	14	BLK	1	PI-9	2	8		4	GND
5	14	BLK	2	PI-8	2	6		4	GND
6	14	RED	3	PI-4	2	5		4	+5V
6	14	RED	4	PI-1	2	7		4	+5V

- NOTES:
1. USE TIE WRAPS (X) ITEM #3 APPROXIMATELY EVERY THREE (3) INCHES WHEN NECESSARY, AND AT EVERY BREAKOUT POINT.
 2. ATTACH MALE FASTON DEC # 900219-0 WITH WOOD SCREWS (4 PLACES).
 3. USE CONN. BRKT. C-14D-33057 -HIS-0. MOUNT WITH WOOD SCREWS. USE MATING CONN. 1209350-15.
 4. DOT (•) INDICATES NAIL LOCATIONS FOR ASSEMBLY USE ONLY. COVER NAILS WITH SHRINK TUBING TO PREVENT CUTTING HARNESS.

SCALE
0 IN 6 IN 12 IN
DO NOT REDUCE
DO NOT BUILD FROM REDUCED PRINT

SYMBOL	DESCRIPTION	PART NO.	QTY.
○	A/R TUBING, SHRINK 3/16 ID X 9/16	9107305-02	7
○	A/R WIRE, #14 AWG RED	9107370-22	6
○	A/R WIRE, #14 AWG BLK	9107370-00	5
○	4 CCNN, SOLDERLESS	9009262-0	4
Y	A/R WRAP, TIE	9007031	3
I	4 PIN, MALE	1209378-00	2
I	HOUSING, CONN 15 PIN	1209351-15	1

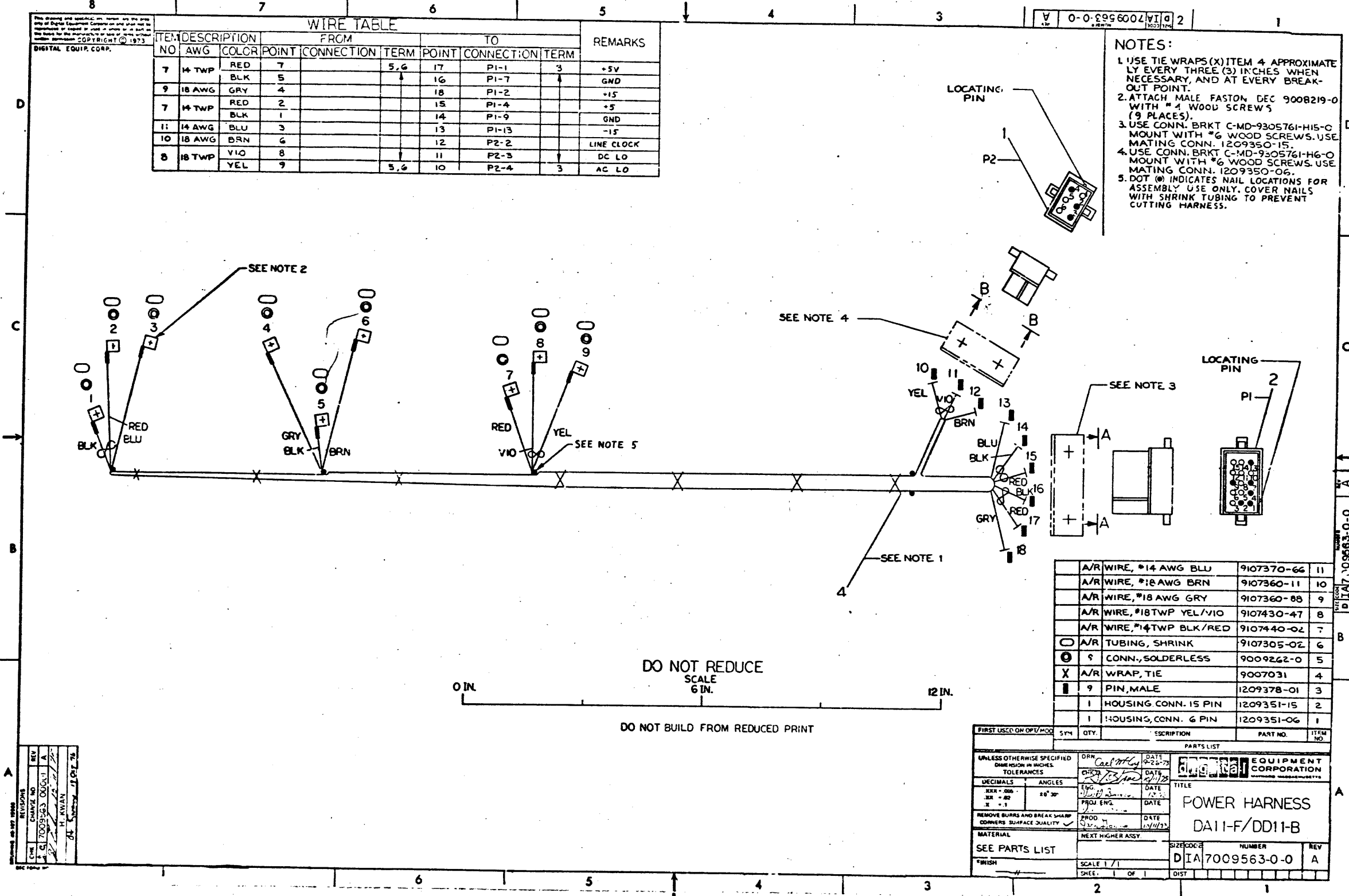
FIRST USED ON OPT. MOD.		SYN		QTY.		DESCRIPTION		PART NO.		REV. NO.	
PARTS LIST											
UNLESS OTHERWISE SPECIFIED DIMENSIONS IN INCHES		DRN. DATE 10-8-73		DATE		TITLE		digital EQUIPMENT CORPORATION			
TOLERANCES		CHKD. DATE		DATE		TITLE		OPTION HARNESS RH11 15 PIN			
DECIMALS ANGLES		SND. DATE		DATE		TITLE		DIA 7009570-0-0			
JULY = .006 .01 = .02 .03 = .1		PROJ. ENG. DATE		DATE		TITLE		SCALE 1 1/2" = 1"			
REMOVE BURRS AND BREAK SHARP CORNERS SURFACE QUALITY 1		PROD. DATE		DATE		TITLE		SHEET 1 OF 1			
MATERIAL		NEXT HIGHER ASSY.		DATE		TITLE		DIST.			
SEE PARTS LIST		DATE		DATE		TITLE		REV.			
FINISH		DATE		DATE		TITLE		REV.			

DIA 7009570-0-0

This drawing and specification are based on the drawings and specifications of Digital Equipment Corporation and shall not be modified or changed in any way without the written approval of Digital Equipment Corporation. COPYRIGHT © 1973 DIGITAL EQUIP. CORP.

ITEM NO.	DESCRIPTION	FROM			TO			REMARKS		
		AWG	COLOR	POINT	CONNECTION	TERM	POINT		CONNECTION	TERM
7	14 TWP	RED	7			5,6	17	PI-1	3	+5V
		BLK	5				16	PI-7		GND
9	18 AWG	GRY	4				18	PI-2		+15
7	14 TWP	RED	2				15	PI-4		+5
		BLK	1				14	PI-9		GND
11	14 AWG	BLU	3				13	PI-13		-15
10	18 AWG	BRN	6				12	P2-2		LINE CLOCK
8	18 TWP	VIO	8				11	P2-3		DC LO
		YEL	9				10	P2-4		AC LO

- NOTES:**
1. USE TIE WRAPS (X) ITEM 4 APPROXIMATELY EVERY THREE (3) INCHES WHEN NECESSARY, AND AT EVERY BREAK-OUT POINT.
 2. ATTACH MALE FASTON DEC 9008219-0 WITH #4 WOOD SCREWS (9 PLACES).
 3. USE CONN. BRKT C-MD-9305761-H15-0 MOUNT WITH #6 WOOD SCREWS. USE MATING CONN. 1209350-15.
 4. USE CONN. BRKT C-MD-9305761-H6-0 MOUNT WITH #6 WOOD SCREWS. USE MATING CONN. 1209350-06.
 5. DOT (•) INDICATES NAIL LOCATIONS FOR ASSEMBLY USE ONLY. COVER NAILS WITH SHRINK TUBING TO PREVENT CUTTING HARNESS.



SYMBOL	DESCRIPTION	PART NO.	ITEM NO.
A/R	WIRE, #14 AWG BLU	9107370-66	11
A/R	WIRE, #18 AWG BRN	9107360-11	10
A/R	WIRE, #18 AWG GRY	9107360-88	9
A/R	WIRE, #18 TWP YEL/VIO	9107430-47	8
A/R	WIRE, #14 TWP BLK/RED	9107440-02	7
○	A/R TUBING, SHRINK	9107305-02	6
•	CONN., SOLDERLESS	9009262-0	5
X	A/R WRAP, TIE	9007031	4
□	PIN, MALE	1209378-01	3
I	HOUSING, CONN. 15 PIN	1209351-15	2
I	HOUSING, CONN. 6 PIN	1209351-06	1

UNLESS OTHERWISE SPECIFIED DIMENSION IN INCHES TOLERANCES	DRN Cael M. Ly	DATE 9-26-73	PARTS LIST	
DECIMALS .000	CHKD S. J. Mac	DATE 9/26/73	TITLE	
ANGLES 10° 30'	ENG. S. J. Mac	DATE 9/26/73	POWER HARNESS	
REMOVE BURRS AND BREAK SHARP CORNERS SURFACE QUALITY	PROJ. ENG. S. J. Mac	DATE 9/26/73	DA11-F/DD11-B	
MATERIAL	PROD. S. J. Mac	DATE 9/26/73	SIZE CODE	NUMBER
SEE PARTS LIST	NEXT HIGHER ASSY.		DIA 7009563-0-0	REV A
FINISH			SCALE 1/1	SHE. 1 OF 1

REV	DATE	BY	APP.
1	9/26/73	Cael M. Ly	
2	9/26/73	S. J. Mac	