

"THE MATERIAL HEREIN IS FOR INFORMATION PURPOSES ONLY AND IS SUBJECT TO CHANGE WITHOUT NOTICE. DIGITAL EQUIPMENT CORPORATION ASSUMES NO RESPONSIBILITY FOR ANY ERRORS WHICH MAY APPEAR HEREIN."

FIELD MAINTENANCE PRINT SET

"THIS DRAWING AND SPECIFICATIONS, HEREIN, ARE THE PROPERTY OF DIGITAL EQUIPMENT CORPORATION AND SHALL NOT BE REPRODUCED OR COPIED OR USED IN WHOLE OR IN PART AS THE BASIS FOR THE MANUFACTURE OR SALE OF ITEMS WITHOUT WRITTEN PERMISSION. COPYRIGHT © DIGITAL EQUIPMENT CORPORATION."

TABLE OF CONTENTS

B-TC-RX211-0-1	FIELD MAINTENANCE PRINT SET (RX211)
B-DD-RX211-0	RX211 FLOPPY DISK SYSTEM
D-UA-RX211-0-0	RX211 FLOPPY DISK SYSTEM- ASSEMBLY
B-DD-M8256-0	RX211 UNIBUS INTERFACE
D-UA-M8256-0-0	RX211 UNIBUS INTERFACE- ASSEMBLY (sh.1 only)
K-PL-M8256-0-DBP	RX211 UNIBUS INTERFACE-P/L
D-CS-M8256-0-1	RX211 UNIBUS INTERFACE - SCHEMATIC
A-PL-RX211-0-3	RX211 SOFTWARE LIST
A-PL-RX211-0-2	RX211 SHIPPING LIST

UNIT VARIATIONS COVERED BY THIS PRINT SET
RX211-Ø
RX211-AA
RX211-AC
RX211-AD
RX211-BA
RX211-BC
RX211-BD

**RX211
Field Maintenance
Print Set**

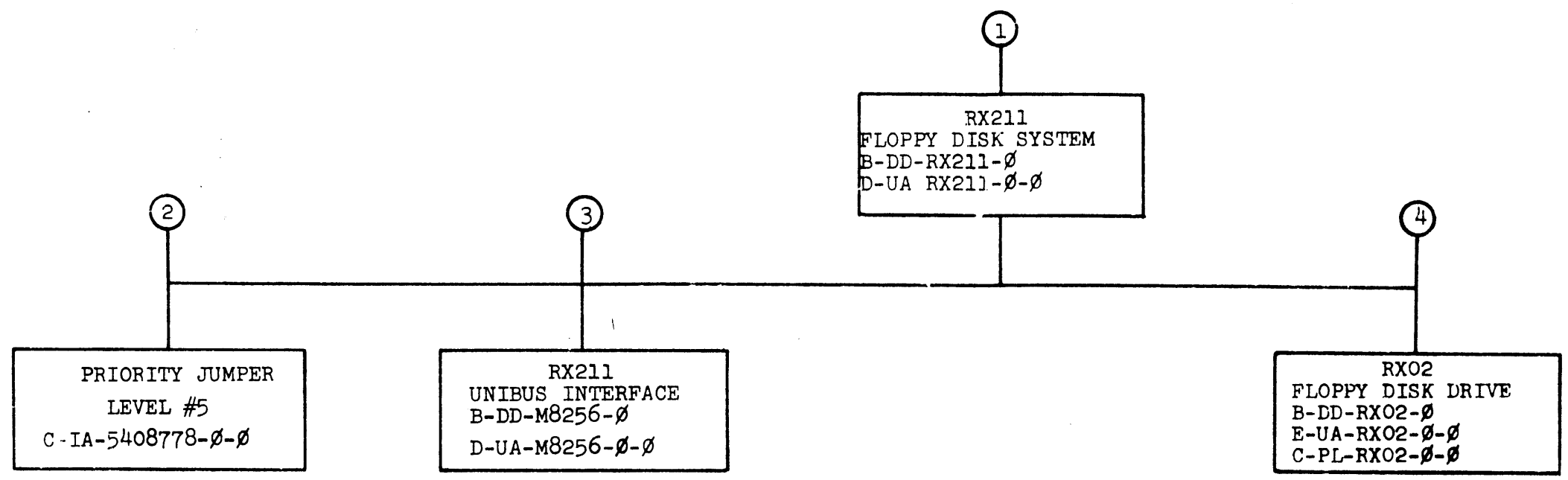
**Digital Equipment
Corporation**

PRINT SET ORDER NO.
MP 00626

REVISIONS NR DATE 12/78	REV A	CHG. NO. RX211-ML001	USED ON OPTION/MODEL PDP 11	DRN. <i>RP Morin</i>	DATE 8 SEP 78	TITLE: RX211 FLOPPY DISK SYSTEM digital	SIZE B	CODE TC	NUMBER RX211-Ø-1	REV. A
				CHK'D <i>RP Morin</i>	DATE 8 SEP 78					
				PROJ. ENG. <i>J. Stavin</i>	DATE 9/8/78					
				FIELD SERV. <i>J. Martello</i>	DATE 9/8/78					
			SHEET 1 OF 1		DIST.					

REV. NUMBER SIZE CODE

"THIS DRAWING AND SPECIFICATIONS, HEREIN, ARE THE PROPERTY OF DIGITAL EQUIPMENT CORPORATION AND SHALL NOT BE REPRODUCED OR COPIED OR USED IN WHOLE OR IN PART AS THE BASIS FOR THE MANUFACTURE OR SALE OF ITEMS WITHOUT WRITTEN PERMISSION.
 COPYRIGHT © 1978 DIGITAL EQUIPMENT CORPORATION"



TITLE	RX211 FLOPPY DISK SYSTEM	SHEET 2 OF 3	SIZE CODE B DD	NUMBER RX211-Ø	REV A
-------	--------------------------	--------------	--------------------------	-------------------	----------

FIND NO.	DRAWING NO.	DESCRIPTION	TYPE	FIND NO.	DRAWING NO.	DESCRIPTION	TYPE
1	MP00626	FIELD MAINTENANCE PRINT SET (MP)	-				
	B-TC-RX211-Ø-1	FIELD MAINTENANCE PRINT SET (TC)	-				
	B-DD-RX211-Ø	RX211 FLOPPY DISK SYSTEM DRAWING DIRECTORY	-				
	D-UA-RX211-Ø-Ø	RX211 FLOPPY DISK SYSTEM ASSY.	E/M				
	A-SP-RX211-0-4	RX211 ENG SPECIFICATION	-				
2	C-IA-5408778-Ø-Ø	PRIORITY JUMPER LEVEL #5	E/M				
	B-CS-5408778-Ø-1	PRIORITY JUMPER - CIRCUIT SCHEMATIC	E				
3	B-DD-M8256-Ø	RX211 UNIBUS INTERFACE DRAWING DIRECTORY	-				
	D-UA-M8256-Ø-Ø	RX211 UNIBUS INTERFACE - ASSY	E/M				
	K-PL-M8256-Ø-Ø	RX211 UNIBUS INTERFACE - P/L	-				
	D-CS-M8256-Ø-1	RX211 UNIBUS INTERFACE - CIRCUIT SCHEMATIC	E				
4	B-DD-RX02-Ø	RX02 FLOPPY DISK DRIVE SYSTEM - DRAWING DIRECTORY	-				
	E-UA-RX02-Ø-Ø	RX02 FLOPPY DISK DRIVE - ASSY	E/M				
	C-PL-RX02-Ø-Ø	RX02 FLOPPY DISK DRIVE - P/L	E/M				

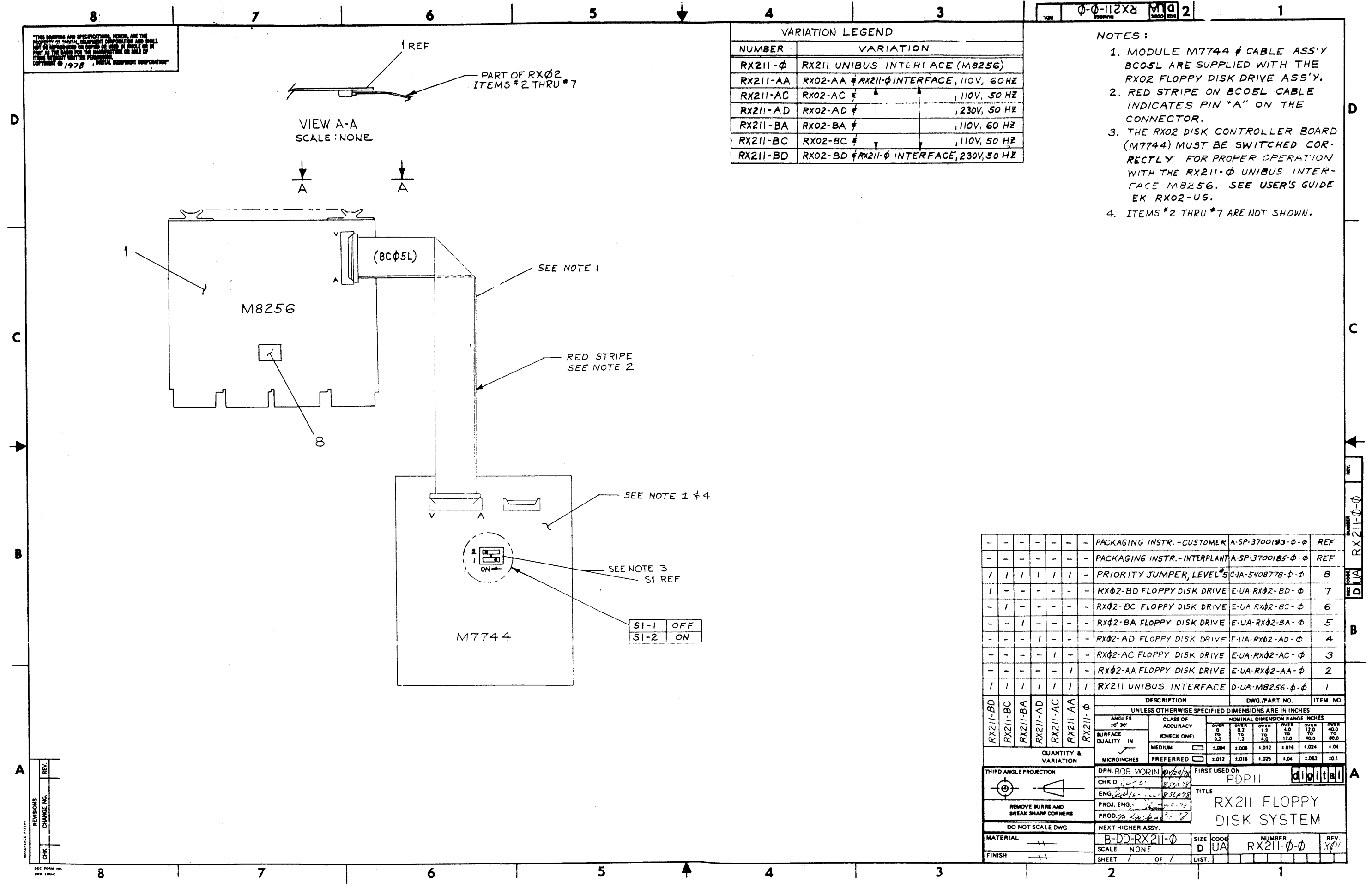
TYPE: E ELECTRICAL
M MECHANICAL
E/M ELECTRO/MECHANICAL



THIS DRAWING AND SPECIFICATIONS HEREBY ARE THE PROPERTY OF DIGITAL EQUIPMENT CORPORATION AND SHALL NOT BE REPRODUCED OR COPIED IN WHOLE OR IN PART AS THE BASIS FOR THE MANUFACTURE OR SALE OF ITEMS WITHOUT WRITTEN PERMISSION.
COPYRIGHT © 1978, DIGITAL EQUIPMENT CORPORATION

VARIATION LEGEND	
NUMBER	VARIATION
RX211-φ	RX211 UNIBUS INTERFACE (M8256)
RX211-AA	RX02-AA φ RX211-φ INTERFACE, 110V, 60 HZ
RX211-AC	RX02-AC φ , 110V, 50 HZ
RX211-AD	RX02-AD φ , 230V, 50 HZ
RX211-BA	RX02-BA φ , 110V, 60 HZ
RX211-BC	RX02-BC φ , 110V, 50 HZ
RX211-BD	RX02-BD φ RX211-φ INTERFACE, 230V, 50 HZ

- NOTES:
1. MODULE M7744 φ CABLE ASS'Y BC05L ARE SUPPLIED WITH THE RX02 FLOPPY DISK DRIVE ASS'Y.
 2. RED STRIPE ON BC05L CABLE INDICATES PIN "A" ON THE CONNECTOR.
 3. THE RX02 DISK CONTROLLER BOARD (M7744) MUST BE SWITCHED CORRECTLY FOR PROPER OPERATION WITH THE RX211-φ UNIBUS INTERFACE M8256. SEE USER'S GUIDE EK RX02-U6.
 4. ITEMS #2 THRU #7 ARE NOT SHOWN.



S1-1	OFF
S1-2	ON

QTY	DESCRIPTION	DWG./PART NO.	ITEM NO.
-	-	-	REF
-	-	-	REF
/	PRIORITY JUMPER, LEVEL 5	C1A-5408778-φ-φ	8
/	RX02-BD FLOPPY DISK DRIVE	E-UA-RX02-BD-φ	7
-	RX02-BC FLOPPY DISK DRIVE	E-UA-RX02-BC-φ	6
-	RX02-BA FLOPPY DISK DRIVE	E-UA-RX02-BA-φ	5
-	RX02-AD FLOPPY DISK DRIVE	E-UA-RX02-AD-φ	4
-	RX02-AC FLOPPY DISK DRIVE	E-UA-RX02-AC-φ	3
-	RX02-AA FLOPPY DISK DRIVE	E-UA-RX02-AA-φ	2
/	RX211 UNIBUS INTERFACE	D-UA-M8256-φ-φ	1

ANGLES ±0° 30'		CLASS OF ACCURACY (CHECK ONE)		NOMINAL DIMENSION RANGE INCHES					
SURFACE QUALITY	IN	MEDIUM	PREFERRED	0 TO 0.2	0.2 TO 1.2	1.2 TO 4.0	4.0 TO 12.0	OVER 12.0 TO 40.0	OVER 40.0 TO 80.0
		<input type="checkbox"/>	<input checked="" type="checkbox"/>	±.004	±.008	±.012	±.016	±.024	±.04
		<input type="checkbox"/>	<input checked="" type="checkbox"/>	±.012	±.016	±.026	±.04	±.063	±0.1

THIRD ANGLE PROJECTION	DRN. BOB MORIN 11/29/78	FIRST USED ON	DP11
REMOVE BURRS AND BREAK SHARP CORNERS	CHK'D [signature]	TITLE	RX211 FLOPPY DISK SYSTEM
DO NOT SCALE DWG	ENG. [signature]	SIZE	D
MATERIAL	PROD. [signature]	CODE	UA
FINISH		NUMBER	RX211-φ-φ
		REV.	X/φ

DRAWING NO.	NO. OF SHTS.	PART NO.	DESCRIPTION	REVISIONS														
				1	2	3	4	5	6	7	8	9	10	11	12			
B-DD-M8256-0	1		RX211 UNIBUS INTERFACE	*	A													
D-UA-M8256-0-0	3		RX211 UNIBUS INTERFACE	A	B													
K-PL-M8256-0-DBP	-		DATA BASE PARTS LIST (M8256)	A	B													
D-CS-M8256-0-1	4		RX211 UNIBUS INTERFACE	A	B													
D-MD-5013309-0-0	4		DRILL & ETCH DRAWING	A	A													
		5013309	ETCHED BOARD	B	B													
K-PC-M8256-0-DBC	-		P.C. DESIGN DATA BASE (M8256)	A	A													

NOTES:

REVISIONS		DATE	CHG NO.	REV.	DESCRIPTION
		9-78	ML001	*	A

"THIS DRAWING AND SPECIFICATIONS, HEREIN, ARE THE PROPERTY OF DIGITAL EQUIPMENT CORPORATION AND SHALL NOT BE REPRODUCED OR COPIED OR USED IN WHOLE OR IN PART AS THE BASIS FOR THE MANUFACTURE OR SALE OF ITEMS WITHOUT WRITTEN PERMISSION.
 COPYRIGHT © 1978 DIGITAL EQUIPMENT CORPORATION

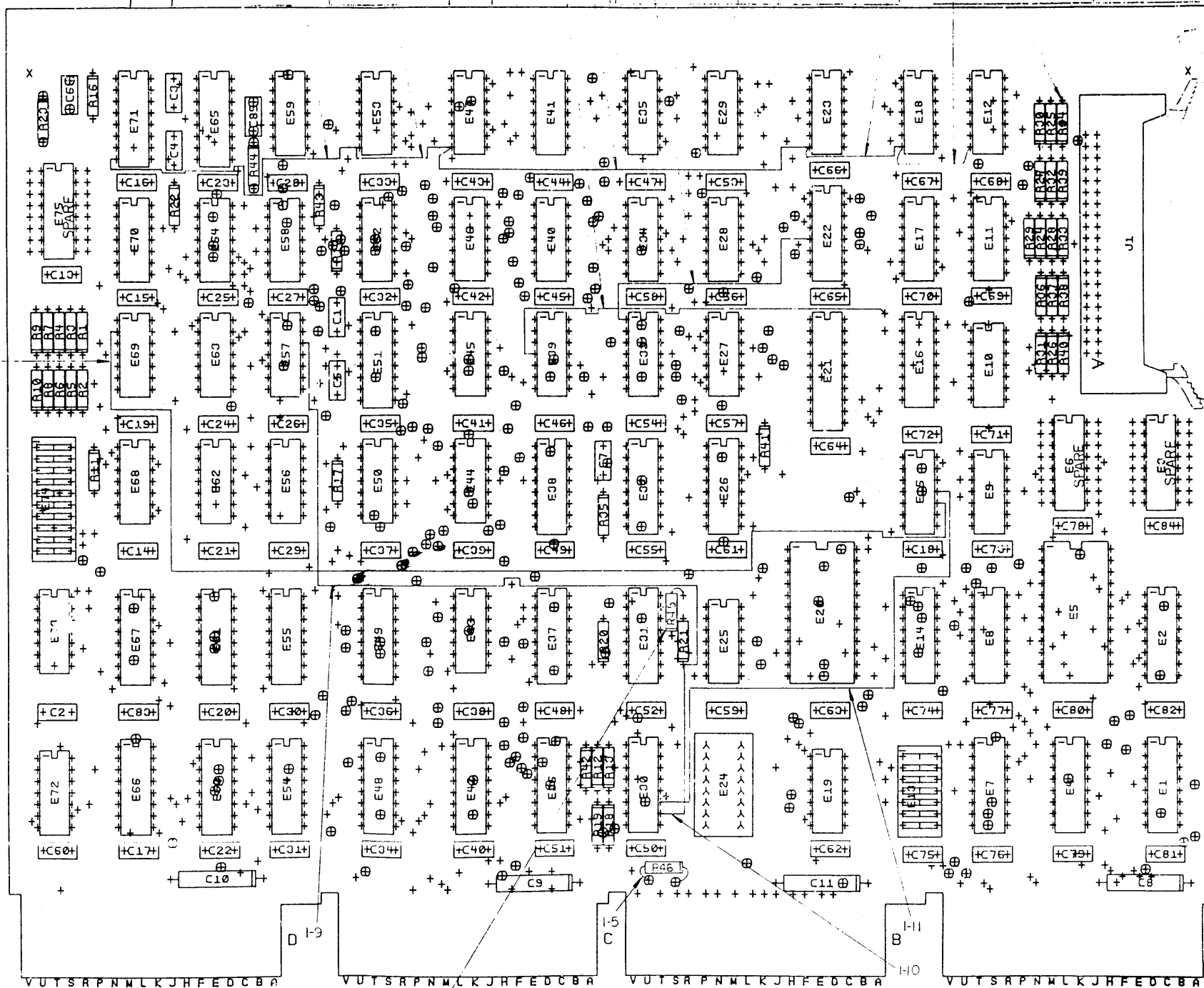


USED ON OPTION/MODEL RXØ2	DRN. P. BOSSMAN	5/8/78	TITLE RX211 UNIBUS INTERFACE
	CHK'D <i>P. Bossman</i>	5/9/78	
	ENG. <i>James L. Ryan</i>	5/10/78	SIZE CODE B DD
	PROG. <i>Peter Bultman</i>	5-10-78	
SHEET 1 OF 1			NUMBER M8256-Ø
			REV. A

THIS DRAWING AND SPECIFICATIONS, UNLESS AND THE PROPERTY OF THE DESIGNER. REPRODUCTION OR USE IN ANY MANNER WITHOUT THE WRITTEN PERMISSION OF THE DESIGNER IS STRICTLY PROHIBITED.

REWORK INSTRUCTIONS

- ECO#1
 ETCH CUTS SIDE 2:
 I-1 E33-1 (TWO PLACES)
 I-2 E69-2
 COMPONENT DELETE:
 I-3 RES. R34 120Ω (P/N 1300247-00)
 COMPONENT ADDS:
 I-4 RES. R34 300Ω (P/N 1301425-00)
 I-5 RES. R46 390Ω (P/N 1300309-00)
 I-6 RES. R45 180Ω (P/N 1301322-00)
 WIRE ADDS SIDE 1, #30 WIRE - ITEM 54
 I-7 E22-5 TO E33-1
 I-8 E39-9 TO FT NEAR E16-1
 I-9 E57-12 TO LOWER END OF R21
 I-10 E30-10 TO LOWER END OF R21
 I-11 E30-11 TO E15-11
 I-12 E15-10 TO E69-2
 WIRE ADDS SIDE 1, #22 BUSS ITEM 55, INSULATE WITH ITEM 56 (STEPS I-13 THRU I-16 ONLY)
 I-13 GND LAND OF E18 TO GND LAND OF E23
 I-14 GND LAND OF E23 TO GND LAND OF E47
 I-15 GND LAND OF E47 TO GND LAND OF E53
 I-16 GND LAND OF E53 TO GND LAND OF E71
 I-17 GND LAND OF E12 TO GND LAND OF E18



NOTES:

CHK	CHANGE NO	REV
✓	1	1
✓	2	1
✓	3	1
✓	4	1
✓	5	1
✓	6	1
✓	7	1
✓	8	1
✓	9	1
✓	10	1
✓	11	1
✓	12	1
✓	13	1
✓	14	1
✓	15	1
✓	16	1
✓	17	1
✓	18	1
✓	19	1
✓	20	1
✓	21	1
✓	22	1
✓	23	1
✓	24	1
✓	25	1
✓	26	1
✓	27	1
✓	28	1
✓	29	1
✓	30	1
✓	31	1
✓	32	1
✓	33	1
✓	34	1
✓	35	1
✓	36	1
✓	37	1
✓	38	1
✓	39	1
✓	40	1
✓	41	1
✓	42	1
✓	43	1
✓	44	1
✓	45	1
✓	46	1
✓	47	1
✓	48	1
✓	49	1
✓	50	1
✓	51	1
✓	52	1
✓	53	1
✓	54	1
✓	55	1
✓	56	1
✓	57	1
✓	58	1
✓	59	1
✓	60	1
✓	61	1
✓	62	1
✓	63	1
✓	64	1
✓	65	1
✓	66	1
✓	67	1
✓	68	1
✓	69	1
✓	70	1
✓	71	1
✓	72	1
✓	73	1
✓	74	1
✓	75	1
✓	76	1
✓	77	1
✓	78	1
✓	79	1
✓	80	1
✓	81	1
✓	82	1
✓	83	1
✓	84	1
✓	85	1
✓	86	1
✓	87	1
✓	88	1
✓	89	1
✓	90	1
✓	91	1
✓	92	1
✓	93	1
✓	94	1
✓	95	1
✓	96	1
✓	97	1
✓	98	1
✓	99	1
✓	100	1

ETCH REV.	B
P.C. DESIGN DATA BASE REV.	BL

SIGNATURES	DATE
DRN. <i>[Signature]</i>	5-22-78
CHK'D. <i>[Signature]</i>	5-10-78
ENG. <i>[Signature]</i>	5-10-78
PRCJ/ENG. <i>[Signature]</i>	5-10-78
FROD. <i>[Signature]</i>	5-10-78

TITLE RX211
UNIBUS INTERFACE

SCALE	2/1	SIZE CODE	0 UA	NUMBER	M8256-0-0	REV	3
SHT.	OF 3	NEXT HIGHER ASSY. B-00-M8256-0					

LINE	ITEM	DOCUMENT NUMBER	PART NUMBER	DESCRIPTION	QTY	REFERENCE DESIGNATOR
1	1		5013309-00	ETCH BOARD FOR M8256	1	
2	2		1000009-00	33.0 MMF 100V 5%200PPM DM15S	1	C85
3	3		1000011-00	47.0 MMF 100V 5%200PPM DM15S	2	C4,C5
4	4		1000016-00	100.0 MMF 100V 5%200PPM DM15S	1	C7
5	5		1000018-00	120.0 MMF 100V 5%200PPM DM15S	2	C1,C3
6	6		1000042-00	1000.0 MMF 100V 5%200PPM DM15S	1	C6
7	7		1001610-00	.01 MFD 50V -20+80 Z5U AXIAL	73	C2,C13-C84
8	8		1005306-00	6.0MFD 35V 10% S.TANT	4	C8-C11
9	9		1209838-00	SOCKET 16PIN	1	E24
10	10		1209941-02	HEADER 100 40POS RT ANGLE	1	J1
11	11		1209941-03	HEADER RT ANGLE LEFT L	1	
12	12		1209941-04	HEADER RT ANGLE,RIGHT	1	
13	13		1211164-03	SW,DIP 1P 1A 7POS	1	E13
14	14		1211164-06	SW,DIP 1P 1A 10POS	1	E74
15	15		1300247-00	120 1/4W 5% CC	1	R40
16	16		1300309-00	390 1/4W 5% CC	8	R13,R29-R33,R37,R46
17	17		1300479-00	10 K 1/4W 5% CC	1	R35
18	18		1314119-00	44.2 K 1/4W 1% RN55D-F 100PPM	1	R23
19	19		1301322-00	180 1/4W 5% CC	11	R12,R18,R20,R24-R28,R36,R38,R45
20	20		1300365-00	1 K 1/4W 5% CC	4	R39,R41-R43
21	21		1302389-00	4.3 K 1/4W 5% CC	13	R1-R11,R19,R21
22	22		1305324-00	4.99 K 1/4W 1% RN55D-F 100PPM	5	R14,R16,R17,R22,R44
23	23		1905547-00	7474 FF-D DUAL,EDGE TRIGG	1	E64
24	24		1909004-00	DEC 7402 NOR GATE-QUAD 2IN	1	E56
25	25		1909686-00	7404 INVERTER GATE-HEX 1I	1	E15
26	26		1909705-00	DEC 8881 NAND GATE-QUAD 2IN O	4	E11,E19,E25,E72
27	27		1909712-00	DEC 8242 COMPARATOR-4BIT N,	3	E62,E68,E73
28	28		1910652-00	74174 FF-D HEX	2	E22,E37
29	29		1910842-00	74199 SHIFT REG.,8BIT PARR	2	E5,E20
30	30		1911469-00	DEC 8640 RECEIVER,BUS,QUAD,U	2	E10,E12

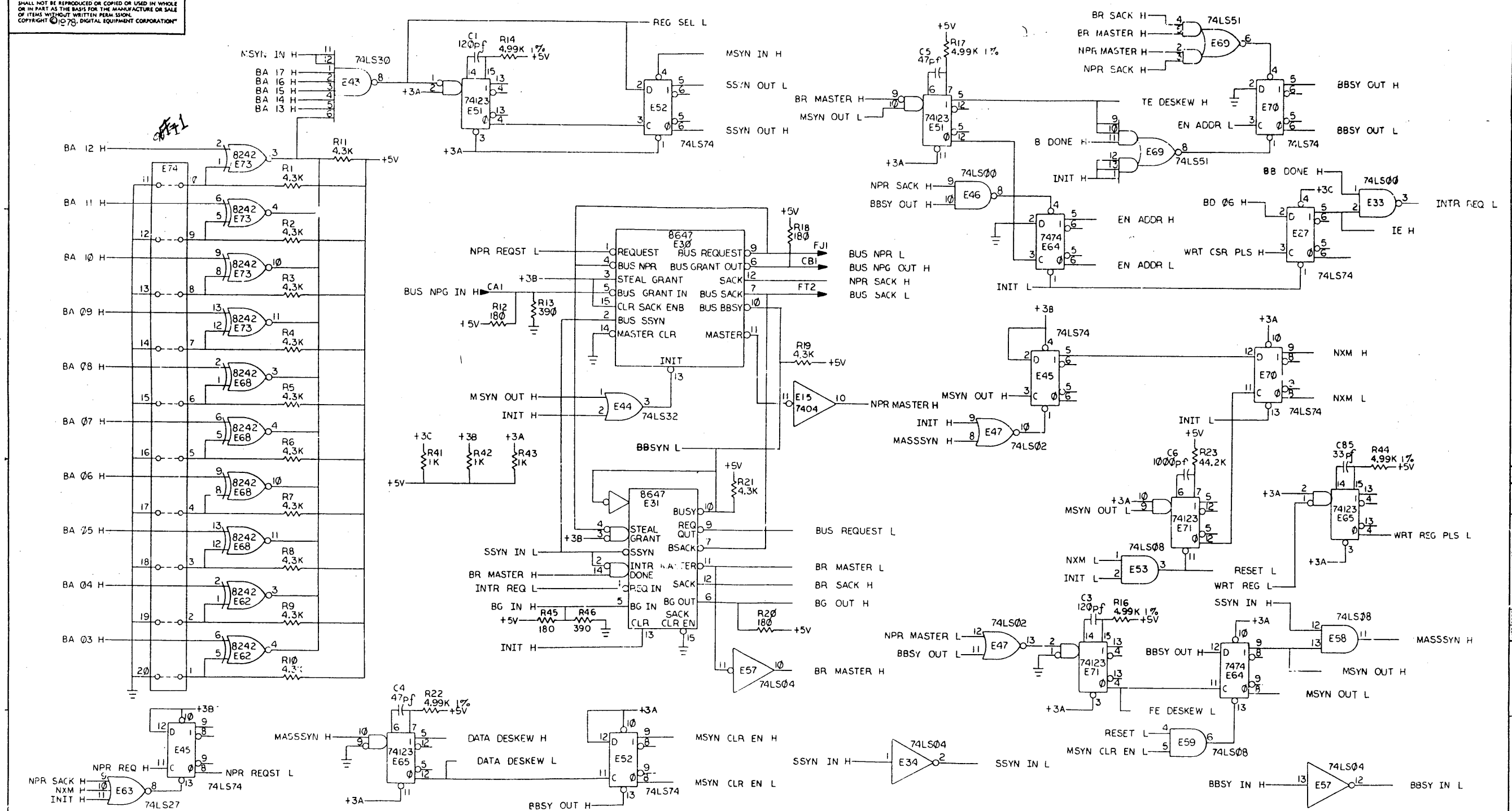
REVISION HISTORY		SECTION 1 OF 1	RESP.ENG.: J.GLAVIN	DATE: 11-APR-78	D I G I T A L
ENG:	ECO NUMBER	REV	MADE BY: J.ROGERS	DATE: 17-FEB-78	TITLE PARTS LIST
---	INIT	A			
J.G.	M8256-ML001	B	CHECKED: S.TUTTLE	DATE: 11-APR-78	RX211 UNIBUS INTERFACE
		1.00	DSN.ENG.: J.RYAN	DATE: 11-APR-78	
		2.			SIZE CODE DOCUMENT NUMBER REV
		3.	PROD.: J.MONCHELLI	DATE: 11-APR-78	K PL M8256-0-DBP B
		4.			
		5.	ASSEMBLY NUMBER: D-UA-M8256-0-0		PART NUMBER: M8256 EDIT 0
		6.			10
		7.			
		8.			
		9.			
		10.			
		11.			
		12.			

"THIS DRAWING AND SPECIFICATIONS HEREIN, ARE THE PROPERTY OF DIGITAL EQUIPMENT CORPORATION AND SHALL NOT BE REPRODUCED OR COPIED OR USED IN WHOLE OR IN PART AS THE BASIS FOR THE MANUFACTURE OR SALE OF ITEMS WITHOUT WRITTEN PERMISSION. COPYRIGHT 1978, DIGITAL EQUIPMENT CORPORATION"

LINE	ITEM	DOCUMENT NUMBER	PART NUMBER	DESCRIPTION	QTY	REFERENCE DESIGNATOR
31	31		1911521-00	7432 OR GATE-QUAD 2IN, PO	1	E17
32	32		1911579-00	8641 TRANSCEIVER,BUS,QUA	10	E1,E2,E4,E7,E42,E48,E54,E60,E66,E67
33	33		1912083-00	DEC 8647 UNIBUS INTERRUPT CON	2	E30,E31
34	34		1912799-00	LS00 NAND-GATE-QUAD 2IN,P	2	E33,E46
35	35		1912801-00	LS02 NOR-GATE-QUAD 2IN	4	E23,E35,E47,E50
36	36		1912803-00	LS04 INVERTER GATE-HEX 1I	2	E34,E57
37	37		1912805-00	LS08 AND GATE-QUAD 2IN,PO	4	E40,E53,E58,E59
38	38		1910436-00	DEC 74123 ONE SHOT-DUAL,RETRIG	4	E38,E51,E65,E71
39	39		1912807-00	LS10 NAND GATE-TRIPLE 3IN	1	E39
40	40		1912813-00	LS27 NOR GATE-TRIPLE 3IN	1	E63
41	41		1912815-00	LS30 NAND GATE-SINGLE 8IN	1	E43
42	42		1912316-00	LS32 OR GATE-QUAD 2IN,POS	3	E18,E41,E44
43	43		1912820-00	LS51 A-O-I GATE 2-WIDE 2I	1	E69
44	44		1912821-00	LS54 A-O-I GATE,3-2-2-3IN	1	E9
45	45		1912824-00	LS74 FF-D DUAL,EDGE TRIGG	6	E27-E29,E45,E52,E70
46	46		1912845-00	LS153 MUX 1 OF 4 (DUAL)	1	E36
47	47		1912847-00	LS157 MUX 1 OF 2(QUAD)	2	E8,E14
48	48		1912849-00	LS161 COUNTER,SYNCHR,4BIT	1	E16
49	49		1912854-00	LS193 COUNTER,SYNCHR,4BIT,	5	E26,E32,E49,E55,E61
50	50		23039B1-00	B1-01	1	E21
51	51		9006732-00	EYELET, ROLLED FLANGE, .121 OD X	8	
52	52		9008337-06	HANDLE, FLIP CHIP, MAGENTA	4	
53	53		1301425-00	300 1/4W 5% CC	1	R34
54	54		9105740-00	WIRE(WRAP)30AWG UL1423	A/R	
55	55		9107560-01	WIRE,BUSS,22AWG	A/R	
56	56		9107256-11	TUBING,THIN WALL,.027ID UL	A/R	

D	I	G	I	T	A	L	TITLE	SECTION	1	OF	1	SIZE	CODE	DOCUMENT NUMBER	REV
							RX211 UNIBUS INTERFACE					K	PL	M6256-0-DBP	B

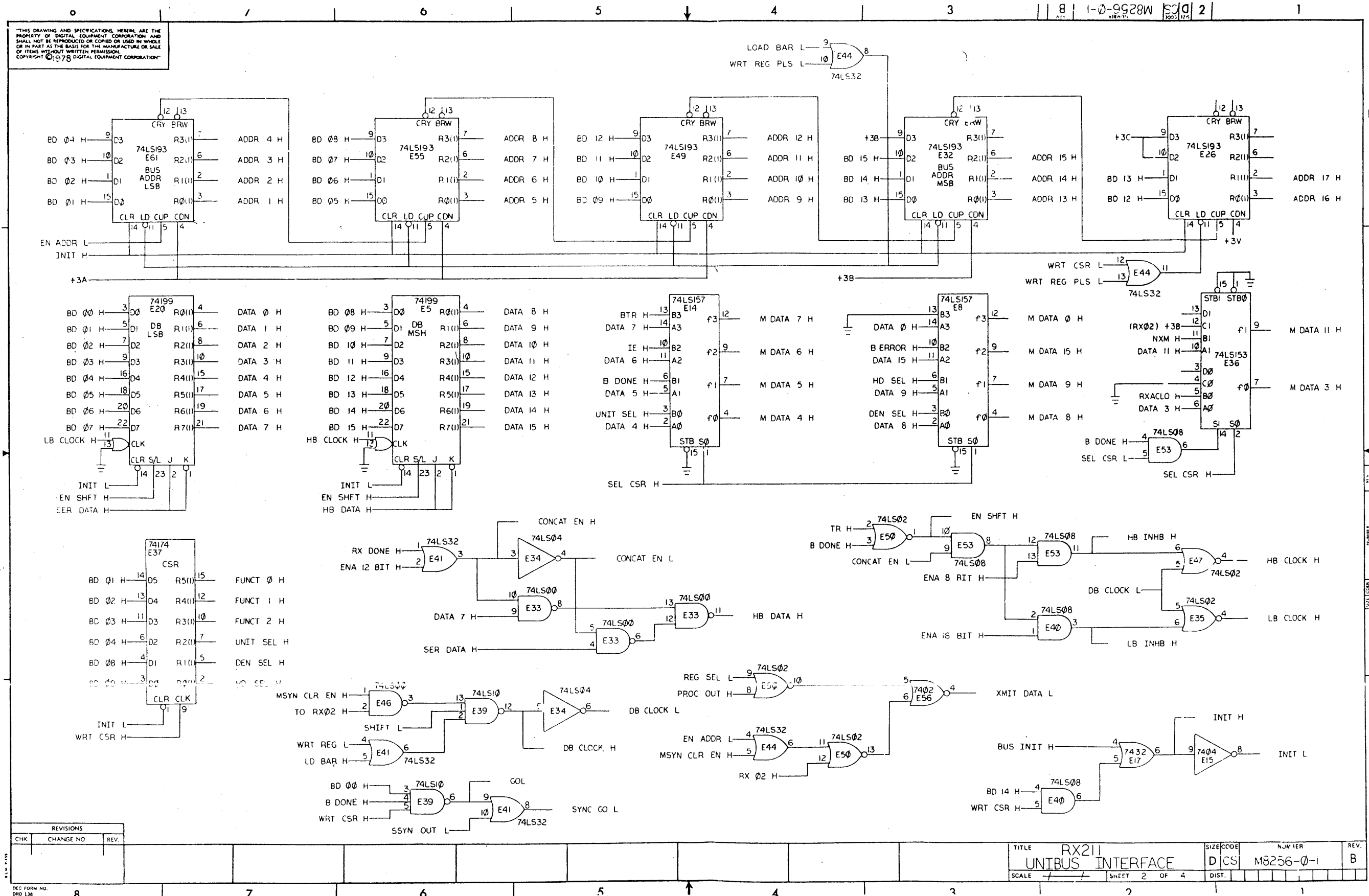
"THIS DRAWING AND SPECIFICATIONS HEREIN ARE THE PROPERTY OF DIGITAL EQUIPMENT CORPORATION AND SHALL NOT BE REPRODUCED OR COPIED OR USED IN WHOLE OR IN PART AS THE BASIS FOR THE MANUFACTURE OR SALE OF ITEMS WITHOUT WRITTEN PERMISSION. COPYRIGHT © 1975, DIGITAL EQUIPMENT CORPORATION"



REV.	CHG.	NO.	BY	DATE
1				
2				
3				
4				
5				
6				
7				
8				

DRN	14/78	FIRST USED ON	RX02	Digital
CHK'D	5-10-78	TITLE	RX211	
ENGR.	5-10-78	PROJ. ENG.	5-10-78	
PROD.	5-10-78			
NEXT HIGHER ASSY.				
B-DD-V8256-0	SIZE	CODE	NUMBER	REV.
	D	CS	M8256-0-1	3
SHEET 1 OF 4				

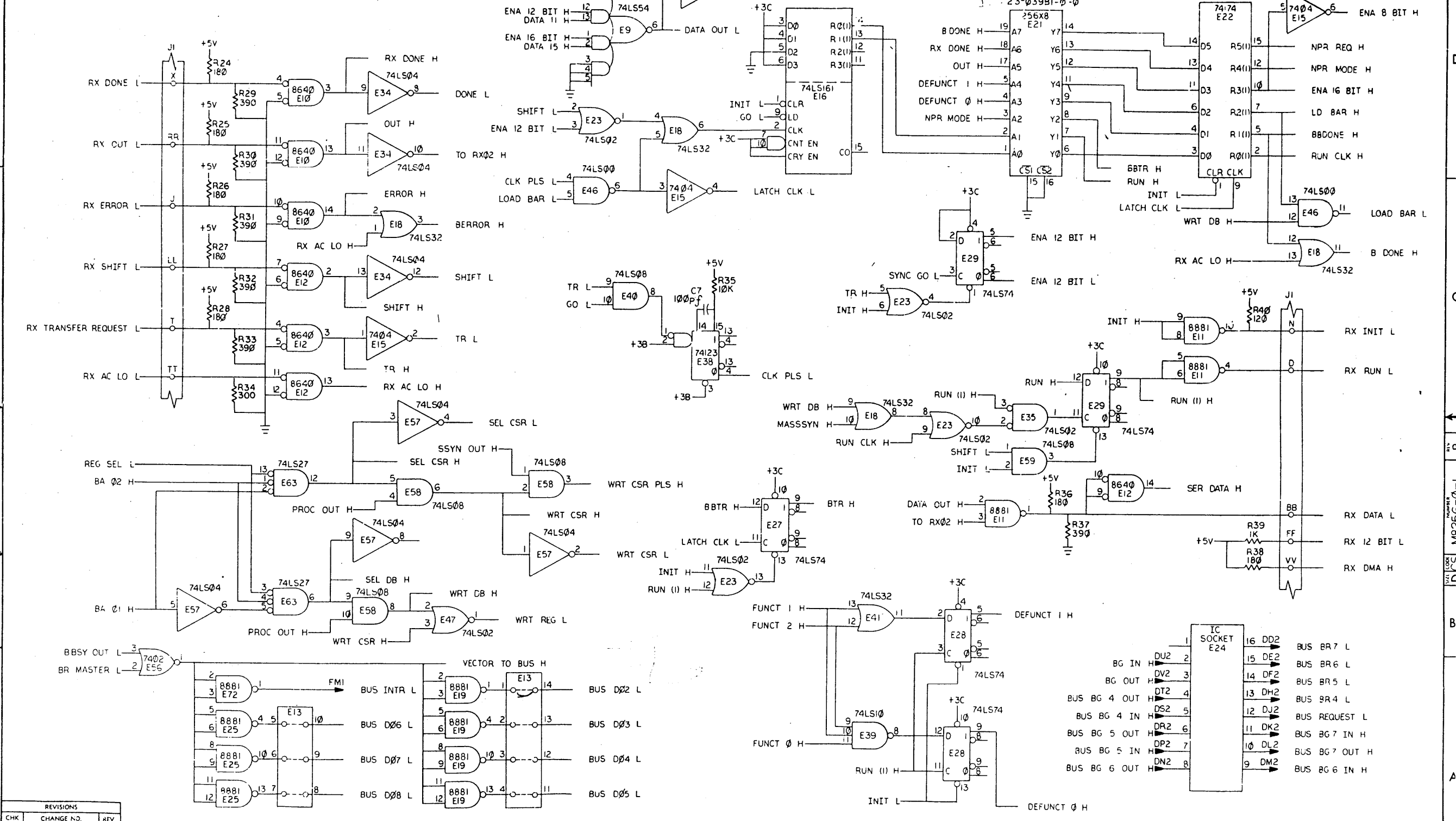
THIS DRAWING AND SPECIFICATIONS HEREIN ARE THE PROPERTY OF DIGITAL EQUIPMENT CORPORATION AND SHALL NOT BE REPRODUCED OR COPIED OR USED IN WHOLE OR IN PART AS THE BASIS FOR THE MANUFACTURE OR SALE OF ITEMS WITHOUT WRITTEN PERMISSION. COPYRIGHT © 1978 DIGITAL EQUIPMENT CORPORATION.



REVISIONS		
CHK	CHANGE NO	REV.

TITLE	RX211 UNIBUS INTERFACE	SIZE CODE	D CS	NUMBER	M8256-0-1	REV.	B
SCALE		SHEET	2 OF 4	DIST.			

THIS DRAWING AND SPECIFICATIONS HEREIN ARE THE PROPERTY OF DIGITAL EQUIPMENT CORPORATION AND SHALL NOT BE REPRODUCED OR COPIED OR USED IN WHOLE OR IN PART AS THE BASIS FOR THE MANUFACTURE OR SALE OF ITEMS WITHOUT WRITTEN PERMISSION. COPYRIGHT © 1978 DIGITAL EQUIPMENT CORPORATION



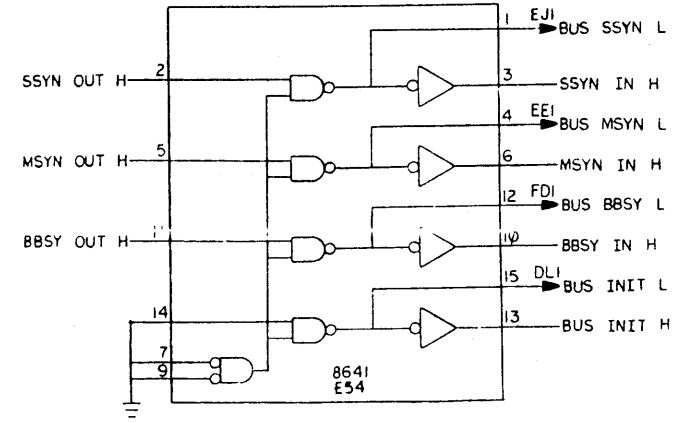
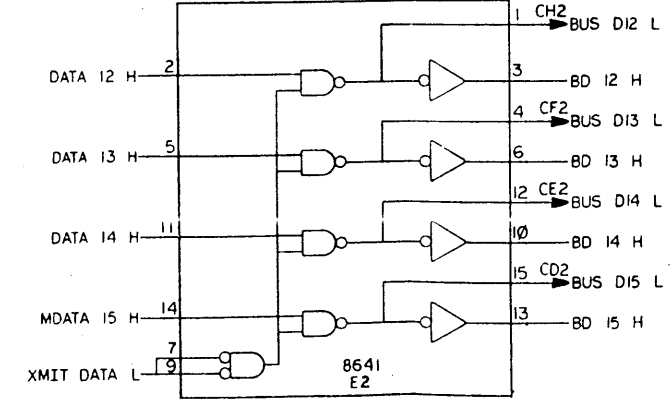
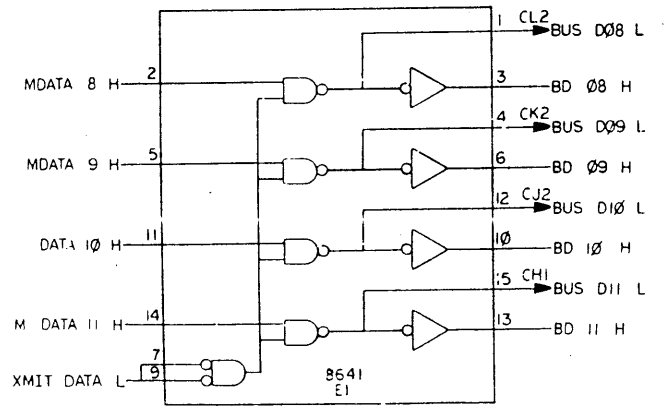
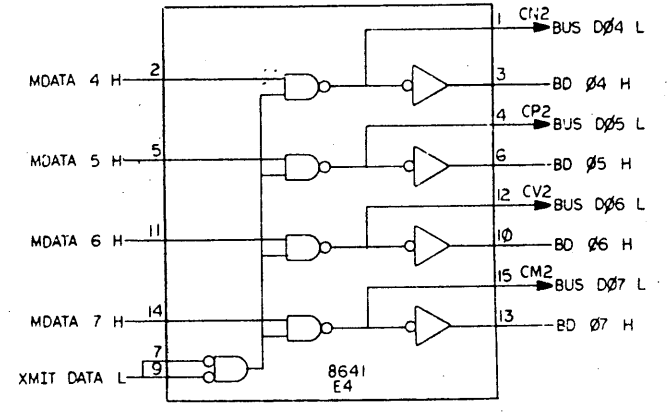
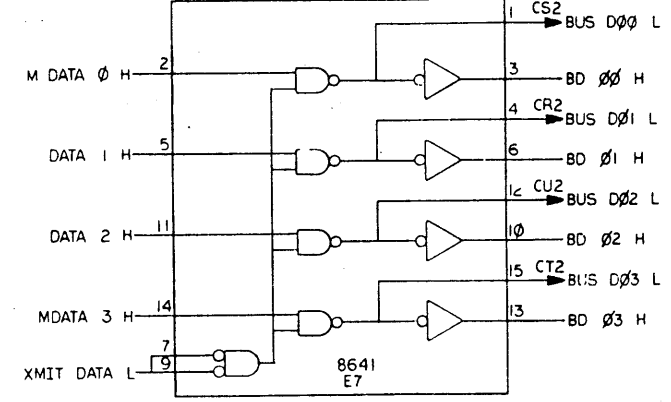
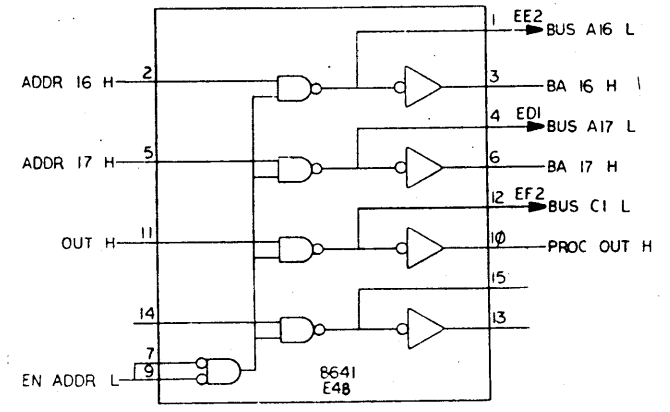
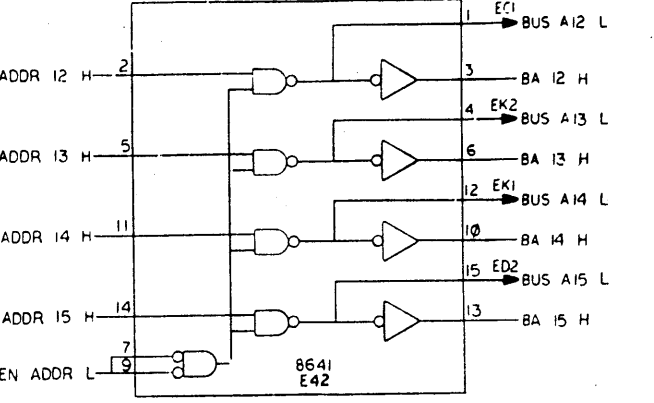
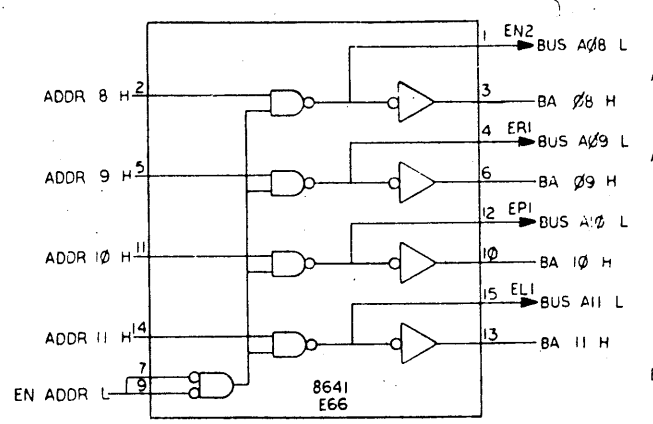
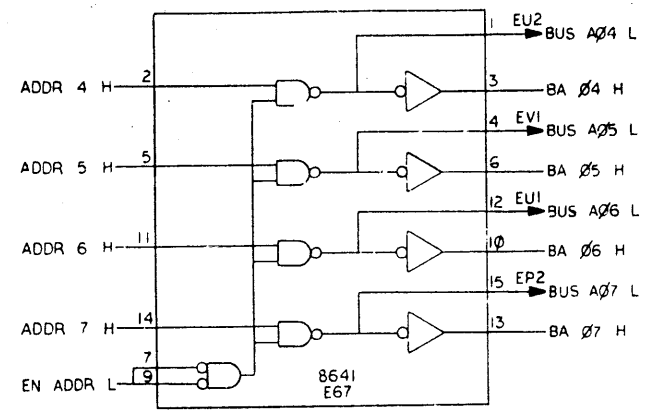
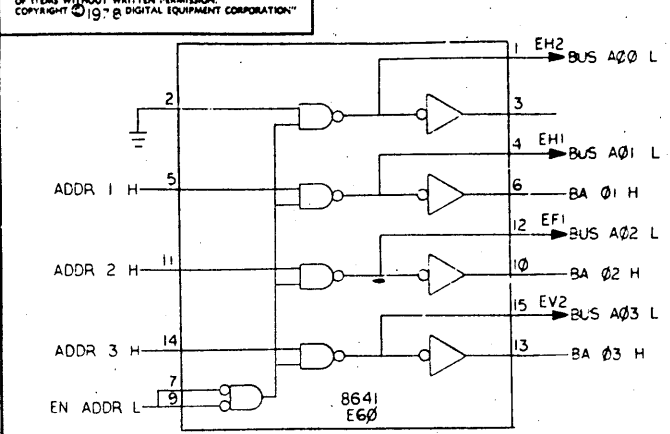
REVISIONS		
CHK	CHANGE NO.	REV.

TITLE	RX211 UNIBUS INTERFACE	SIZE CODE	D CS	NUMBER	M8256-0-1	REV.	B
SCALE	1:1	SHEET	3 OF 4	DIST.			

DEC FORM NO. DRD 138

SW 87654321
 XXXXXX
 01011011

"THIS DRAWING AND SPECIFICATIONS HEREIN ARE THE PROPERTY OF DIGITAL EQUIPMENT CORPORATION AND SHALL NOT BE REPRODUCED, COPIED OR USED IN WHOLE OR IN PART AS THE BASIS FOR THE MANUFACTURE OR SALE OF ITEMS WITHOUT WRITTEN PERMISSION. COPYRIGHT © 1978 DIGITAL EQUIPMENT CORPORATION"



REVISIONS		
CHK	CHANGE NO.	REV.

TITLE	RX211 UNIBUS INTERFACE	SIZE/CODE	D/CS	NUMBER	M82:6-0-1	REV.	B
SCALE	7/7	SHEET	4 OF 4	DIST.			

DIGITAL EQUIPMENT CORPORATION
MAYNARD, MASSACHUSETTS
PARTS LIST

MADE BY	ROBERT MORIN	CHECKED	<i>R. Morin</i>	SECTION	
DATE	5/SEPT/78	DATE	8 SEP 78	ISSUED SECT.	
ENG	<i>R. Morin</i>	PROD	<i>M. Durham</i>		
DATE	8 SEP 78	DATE	8-SEP 78		

QUANTITY / VARIATION

ITEM NO.	DWG NO. / PART NO.	DESCRIPTION	QUANTITY / VARIATION											
1	MP00626	RX211 PRINT SET	RX211-Ø-3											
2	MP00629	RX02 PRINT SET												
3	EK-RX02-UG	RX02 USER'S GUIDE												
4	ZJ279-RB	LIB KIT												

TITLE	ASSY NO.	SIZE CODE	NUMBER	REV.	ECO NO.
RX211, SOFTWARE LIST	B-DD-RX02-Ø	A PL	RX211-Ø-3	A	RX211-1001
	SHEET 1 OF 1	DIST			

DIGITAL EQUIPMENT CORPORATION
MAYNARD, MASSACHUSETTS

PARTS LIST

MADE BY DATE ENG DATE	ROBERT MORIN 5 SEPT '78 <i>R. Morin</i> 8 SEP 78	CHECKED DATE PROD DATE	<i>R. Morin</i> 8 SEP 78 <i>W. Durham</i> 8 SEP 78	SECTION ISSUED SECT.
--------------------------------	---	---------------------------------	---	-------------------------

QUANTITY / VARIATION

ITEM NO.	DWG NO. / PART NO.	DESCRIPTION	QUANTITY / VARIATION										
			RX211-Ø	RX211-AA	RX211-AC	RX211-AD	RX211-BA	RX211-BC	RX211-BD				
1	D-UA-M8256-Ø-Ø	RX211 UNIBUS INTERFACE	1	1	1	1	1	1					
2	C-IA-5408778-Ø-Ø	PRIORITY JUMPER, LEVEL #5	-	1	1	1	1	1	1				
3	E-UA-RX02-Ø-Ø	RX02 FLOPPY DISK DRIVE ASSY.	-	1	1	1	1	1	1				
4	23-811A9	ROM (BOOTSTRAP 9312)	1	1	1	1	1	1	1				
5	9906228-ØØ	BOX	1	1	1	1	1	1	1				
6	ZJ279-RB	LIB KIT	1	1	1	1	1	1	1				

TITLE SHIPPING LIST, RX211	ASSY NO. B-DD-RX211-Ø	SIZE CODE A PL	NUMBER RX211-Ø-2	REV. A	ECO NO. RX211-1001
	SHEET 1 OF 1	DIST.			