

**digital**

**RK 11-D**

**Engineering Drawings**

**Digital Equipment Corporation**

The material herein is for information purposes only and is subject to change without notice. Digital Equipment Corporation assumes no responsibility for any errors which may appear herein.

These drawings and specifications herein are the property of Digital Equipment Corporation and shall not be reproduced or copied or used in whole or in part as the basis for the manufacture or sale of items without written permission.

Copyright © 1975, Digital Equipment Corporation



## CUSTOMER PRINT SET INDEX

	SEQUENCE
MODULE UTILIZATION	D-MU-RK11-D-1
PARTS LIST	A-PL-RK11-D-1
STATUS CONTROL	D-CS-M7254-0-1
DISK CONTROL	D-CS-M7255-0-1
DATA PATHS	D-CS-M7256-0-1
BUS CONTROL	D-CS-M7257-0-1
BACK PANEL INTERCONNECTION	D-IC-RK11-D-3
RK11-D FUNCTION FLOWS	D-FD-RK11-D-9
ETCH BACK PANEL	D-CS-5410185-0-1
UNIT ASSEMBLE	D-UA-RK11-0-0
WIRED ASSEMBLY	C-IA-7009142-0-0
BUS TERMINATOR	A-PL-M930-0-0
OPTION HARNESS	D-IA-7009559-0-0 (SEE NOTE)
RK05 OPTION CONFIGURATION	D-OC-RK05-0-15
MAINTENANCE MODULE	A-SS-5509081-0-11
ACCESSORY LIST	A-AL-RK11-D-6
SOFTWARE LIST	A-SL-RK11-D-7
ETCH/WIRE LIST	K-WL-RK11-D-2
AWT REVISION STATUS	A-WT-7009142-0

THIS IS PRINT SET 

--	--	--	--	--

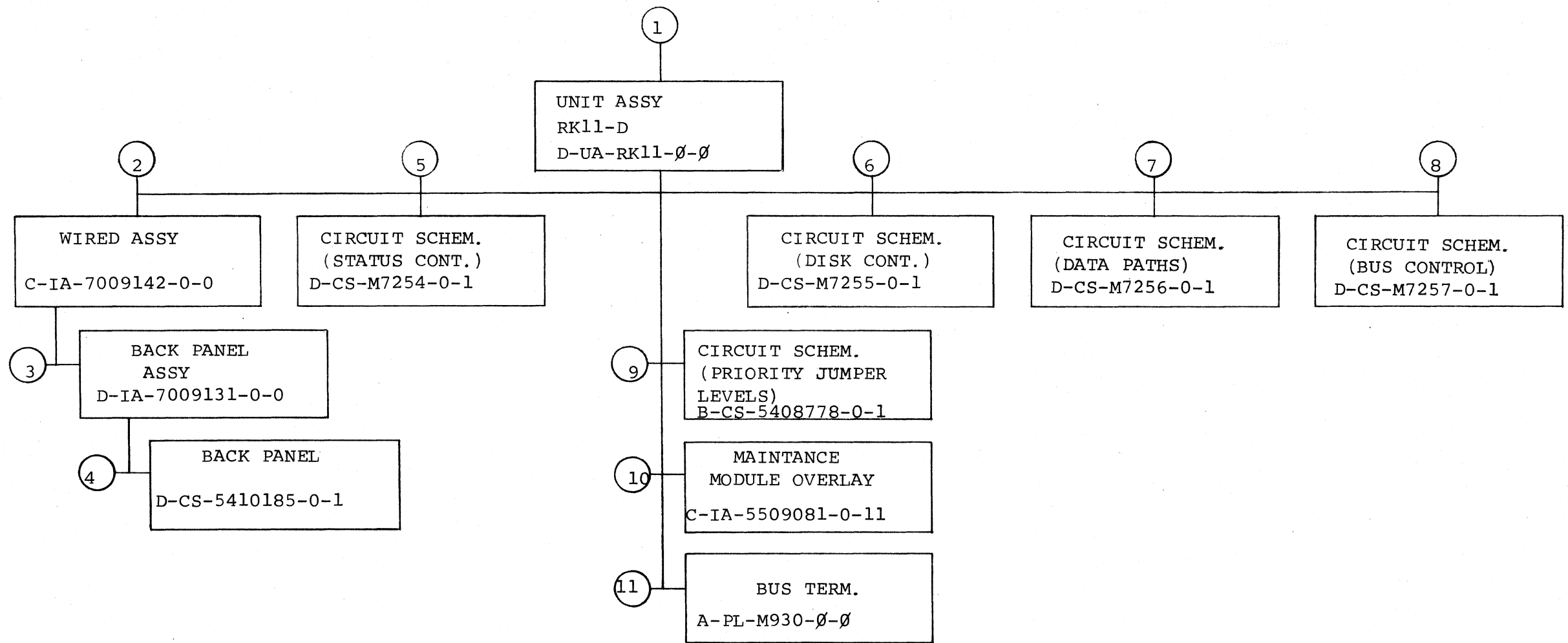
UNIT VARIATIONS		PRINT SET		
VAR	TITLE	1	2	3
RK11-D	DISK CONTROL	X		
RK11-E	DISK CONTROL	X		
RK11-DE	RK11-D, RK05-DE (TALL CAB, 861, 115V, 60HZ)	X		
RK11-DF	RK11-D, RK05-DF (TALL CAB, 861, 230V, 60HZ)	X		
RK11-DH	RK11-D, RK05-DH (TALL CAB, 861, 115V, 50 HZ)	X		
RK11-DJ	RK11-D, KK05-DJ (TALL CAB, 861, 230V, 50 HZ)	X		
RK11J-DE	RK11-D RK05J DE	X		
RK11J-DF	RK11-D RK05J DF	X		
RK11J-DH	RK11-D, RK05J-DH	X		
RK11J-DJ	RK11-D, RK05J-DJ	X		
RK11J-DK	RK11-D, RK05J-DK	X		
RK11J-DL	RK11-D, RK05J-DL	X		
RK11J-DM	RK11-D, RK05J-DM	X		
RK11J-DN	RK11-D, RK05J-DN	X		

NOTE: USE RK11-D OPTION HARNESS 7009559 IN 11/40 SYSTEMS WITH S/N GREATER THAN 6000 AND 11/45 SYSTEMS WITH S/N GREATER THAN 2000. OLDER MACHINES REQUIRE RK11-D POWER HARNESS 7008992.

PDP11/15 AND PDP11/20 SYSTEM AND BALL-ES BOXES USE NO POWER HARNESS OTHER THAN THAT SUPPLIED INTERNAL TO THE BOX. BALL-D BOXES REQUIRE RK11-D POWER HARNESS 7008992.

<b>REVISIONS</b>	REV	K	L	M	N	P	R	USED ON OPTION/MODEL	DRN.	E. WILSON	DATE	12-72	TITLE	DISK CONTROL							REV	R								
	CHG. NO.	RK11D-14	RK11D-15	RK11D-16	RK11D-17	RK11D-18	RK11D-19		CHK'D.		DATE																			
	DATE	3-74	4-74	5-74	7-75	10-75	10-76		GILBERT	12-72	PROD.	R. DOOLEY											DATE	12-72	SIZE	B	CODE	DD	NUMBER	RK11-D
									T. ORR	12-72	FIELD SERV.	R. FULTON											DATE	12-72	DIST					
SHEET 1 OF 4																														

DEC 16 10:25:10 62 IA-R972



TITLE	SHEET	SIZE	CODE	NUMBER	REV
DISK CONTROL	2 OF 4	B	DD	RK11-D	R

CUSTOMER PRINT SET		ELECTRICAL					CUSTOMER PRINT SET		ELECTRICAL						
1	MFG. SET	FIND NO.	DRAWING NO.	REV	NO OF SHT	DESCRIPTION	OPTION NO./FILE DATE	1	MFG. SET	FIND NO.	DRAWING NO.	REV	NO OF SHT	DESCRIPTION	OPTION NO./FILE DATE
X		1	D-UA-RK11-0-0	C	1	UNIT ASSY (RK11-D)		X		8	D-CS-M7257-0-1	#	6	CIRCUIT SCHEMATIC (BUS CONT.)	
X			D-MU-RK11-D-1	*	1	MODULE UTILIZATION (RK11-D)					D-CO-M7257-0-4		1	X-Y COORDINATE HOLE LOCATION	
X			A-PL-RK11-D-1	*	1	MODULE UTILIZATION (RK11-D) PL					D-AH-M7257-0-5		1	ASSY DRILLING HOLE LOCATION	
			D-IA-7008992-0-0		1	POWER HARNESS (REF)					B-MH-M7257-0-6		1	MODULE ECO HISTORY	
X			D-IC-RK11-D-3	C	4	BACK PANEL INTERCONNECTION									
X			D-IA-7009559-0-0	#	1	OPTION HARNESS									
X		2	C-IA-7009142-0-0	B	1	WIRED ASSY (RK11-D)				9	B-CS-5408778-0-1		1	CIRCUIT SCHEMATIC (PRIORITY JUMPER LEVELS)	
											C-IA-5408778-0-0		1	PRIORITY JUMPER LEVEL #5	
											D-IA-5008777-0-0		1	ETCH BOARD	
								X		10	A-SS-5509081-0-11	#		MAINTENANCE MODULE OVERLAY (RK11-D)	
		3	D-IA-7009131-0-0		1	BACK PANEL					C-IA-5509081-0-0			MAINTENANCE MODULE OVERLAY	
X		4	D-CS-5410185-0-1	#	1	CIRCUIT SCHEMATIC (BACKPANEL)		X			D-CC-RK05-0-15	#		RK05 OPTION CONFIGURATION (REF)	
			K-CO-5410185-0-4		1	X-Y COORDINATE HOLE LOCATION									
			E-AH-5410185-0-5		1	ASSY DRILLING HOLE LOCATION									
			B-MH-5410185-0-6		1	MODULE ECO HISTORY									
C			K-WL-RK11-D-2	H	1	ETCH/WIRE LIST (RK11-D)		X		11	A-PL-M930-0-0	#		BUS TERMINATOR	
X			A-WT-7009142-0	H	1	AWT REVISION STATUS									
X		5	D-CS-M7254-0-1	#	6	CIRCUIT SCHEMATIC (STATUS CONT)				12	A-SP-RK11-D-4	A	18	RK11-D ENGINEERING SPECS	
			K-CO-M7254-0-4		1	X-Y COORDINATE HOLE LOCATION					A-SP-RK11-D-5	A	5	RK11-D CHECK OUT PROCEDURE	
			D-AH-M7254-0-5		1	ASSY DRILLING HOLE LOCATION		X			A-AL-RK11-D-6	*	1	RK11-D ACCESSORY LIST	
			B-MH-M7254-0-6		1	MODULE ECO HISTORY		X			A-PL-RK11-D-7	A	1	RK11-D SOFTWARE LIST	
											A-SP-RK11-D-8	A	4	RK11-D ACCEPTANCE PROCEDURE	
X		6	D-CS-M7255-0-1	#	7	CIRCUIT SCHEMATIC (DISK CONT.)		X			D-FD-RK11-D-9	*	5	RK11-D, E FUNCTION FLOWS	
			K-CO-M7255-0-4		1	X-Y COORDINATE HOLE LOCATION					B-DD-RK11-TA			RK11-D, E TESTER	
			D-AH-M7255-0-5		1	ASSY DRILLING HOLE LOCATION					A-SP-RK11-0-2		23	DISK SYSTEM MANUFACTURING PROCEDURES (REF)	
			B-MH-M7255-0-6		1	MODULE ECO HISTORY									
X		7	D-CS-M7256-0-1	#	7	CIRCUIT SCHEMATIC (DATA PATHS)									
			K-CO-M7256-0-4		1	X-Y COORDINATE HOLE LOCATION									
			D-AH-M7256-0-5		1	ASSY DRILLING HOLE LOCATION									
			B-MH-M7256-0-6		1	MODULE ECO HISTORY									

CUSTOMER PRINT SET CODES	X = PRINT OF DOCUMENT INCLUDED IN PRINT SET C = INCLUDES ALL PRINTS INDICATED ON DOCUMENT S = CONFIDENTIAL AUTHORIZED SIGNATURE REQUIRED	# = PRINT OF DOCUMENT IS LATEST REVISION LEVEL	TITLE	CONTROL	SHEET 3 OF 4	SIZE CODE	NUMBER	REV
						B DD	RK11-D	R

CUSTOMER PRINT SET				MECHANICAL					CUSTOMER PRINT SET				MECHANICAL									
1				MFG. SET	FIND NO.	DRAWING NO.	REV	NO OF SHT	DESCRIPTION	OPTION NO./FILE DATE	1				MFG. SET	FIND NO.	DRAWING NO.	REV	NO OF SHT	DESCRIPTION	OPTION NO./FILE DATE	
					1	D-UA-RK11-0-0	C	1	UNIT ASSY (RK11-D)							8	D-CS-M7257-0-1	#	5	CIRCUIT SCHEMATIC (BUS CONTROL)		
																	K-CO-M7257-0-4		1	X-Y COORDINATE HOLE LOCATION		
																	D-AH-M7257-0-5		1	ASSY DRILLING HOLE LOCATION		
																	B-MH-M7257-0-6		1	MODULE ECO HISTORY		
					2	C-IA-7009142-0-0	B	1	WIRED ASSY (RK11-D)													
					3	D-IA-7009131-0-0	#	1	BACKPANEL													
						E-SC-1209583-0-1		1	CASTING, THREE BLOCK													
						A-SS-7407846-0-0		1	DECAL LOGIC SERIAL NUMBER													
					4	D-CS-5410185-0-1	#	1	CIRCUIT SCHEMATIC (BACKPANEL)													
						K-CO-5410185-0-4		1	X-Y COORDINATE HOLE LOCATION													
						E-AH-5410185-0-5		1	ASSY DRILLING HOLE LOCATION													
						B-MH-5410185-0-6		1	MODULE ECO HISTORY													
					5	D-CS-M7254-0-1	#	5	CIRCUIT SCHEMATIC (STATUS CONT.)													
						K-CO-M7254-0-4		1	X-Y COORDINATE HOLE LOCATION													
						D-AH-M7254-0-5		1	ASSY DRILLING HOLE LOCATION													
						B-MH-M7254-0-6		1	MODULE ECO HISTORY													
					6	D-CS-M7255-0-1	#	6	CIRCUIT SCHEMATIC (DISK CONT.)													
						K-CO-M7255-0-4		1	X-Y COORDINATE HOLE LOCATION													
						D-AH-M7255-0-5		1	ASSY DRILLING HOLE LOCATION													
						B-MH-M7255-0-6		1	MODULE ECO HISTORY													
					7	D-CS-M7256-0-1	#	6	CIRCUIT SCHEMATIC (DATA PATHS)													
						K-CO-M7256-0-4		1	X-Y COORDINATE HOLE LOCATION													
						D-AH-M7256-0-5		1	ASSY DRILLING HOLE LOCATION													
						B-MH-M7256-0-6		1	MODULE ECO HISTORY													

CUSTOMER PRINT SET CODES

X = PRINT OF DOCUMENT INCLUDED IN PRINT SET  
 C = INCLUDES ALL PRINTS INDICATED ON DOCUMENT  
 S = CONFIDENTIAL AUTHORIZED SIGNATURE REQUIRED

# = PRINT OF DOCUMENT IS LATEST REVISION LEVEL

TITLE DISK CONTROL

SHEET 4 OF 4

SIZE CODE B DD

NUMBER RK11-D

REV R

This drawing and specifications, herein, are the property of Digital Equipment Corporation and shall not be reproduced or copied or used in whole or in part as the basis for the manufacture or sale of items without written permission.

1-0-11041W 2

NOTE  
 FOR PROPER OPERATION OF RKII-D1E THE RK05 DRIVE MUST HAVE AN M7700 REV. J OR LATER AND HAVE A BACK PANEL OF REV. A OR LATER. FOR RK1E THE RK05 MUST ALSO HAVE A GIRD REV. K OR LATER.

1	UNIBUS IN	M7254	M7254	STATUS CONTROL	BUS CONTROL
	M12 $\phi$ INTERNAL CONNECTOR OR BC11-A CABLE				
2	DISK CABLE	M7255	M7255	DISK CABLE	
	BC11-A				
3	POWER CONN.	M7256	M7256	DATA PATHS	
4	UNIBUS OUT	M7257	M7257	BUS CONTROL	
	M13 $\phi$ TERMINATOR OR M12 $\phi$ INTERNAL CONNECTOR OR BC11-A CABLE				

REV	
CHANGE NO	
CHK	

DSC FORM NO. DCD 100

FIRST USED ON OPTION/MODEL RK11-L	DO NOT SCALE DRAWING UNLESS OTHERWISE SPECIFIED	DRN <i>Wilson</i>	DATE 1/29/72
	DIMENSION IN INCHES TOLERANCES DECIMALS FRACTIONS ANGLES $\pm .005$ $\pm 1/64$ $\pm 0'30''$	CHK'D <i>Wilson</i>	DATE 1/29/72
	FINAL SURFACE QUALITY REMOVE BURRS AND BREAK SHARP CORNERS	ENG <i>Wilson</i>	DATE 1/11/72
		PROJ. ENG. <i>Wilson</i>	DATE 1/11/72
		PROD. <i>Wilson</i>	DATE 1/11/72
MATERIAL		NEXT HIGHER ASSY	
FINISH		SCALE NONE	
		SHEET 1 OF 1	
		PARTS LIST	
		digital EQUIPMENT CORPORATION MAYNARD, MASSACHUSETTS	
		TITLE MODULE UTILIZATION	
		SIZE CODE D110E-1	NUMBER 1
		DIST.	REV.

P M RKII-D-1

DIGITAL EQUIPMENT CORPORATION MAYNARD, MASSACHUSETTS				QUANTITY / VARIATION																			
PARTS LIST																							
MADE BY		LEWIS		CHECKED		SECTION																	
DATE		9-26-72		DATE		ISSUED SECT.																	
ENG				PROD																			
DATE				DATE																			
ITEM NO.	DWG NO. / PART NO.		DESCRIPTION																				
1	M7254		STATUS CONTROL									1											
2	M7255		DISK CONTROL									1											
3	M7256		DATA PATHS									1											
4	M7257		EUS CONTROL									1											
TITLE			MODULE UTILIZATION (RK11-D)						ASSY NO.		D-MU-RK11-D-1		SIZE	CODE		NUMBER			REV.		ECO NO.		
													A	PL		RK11-D-1							
			SHEET 1 OF 1																				



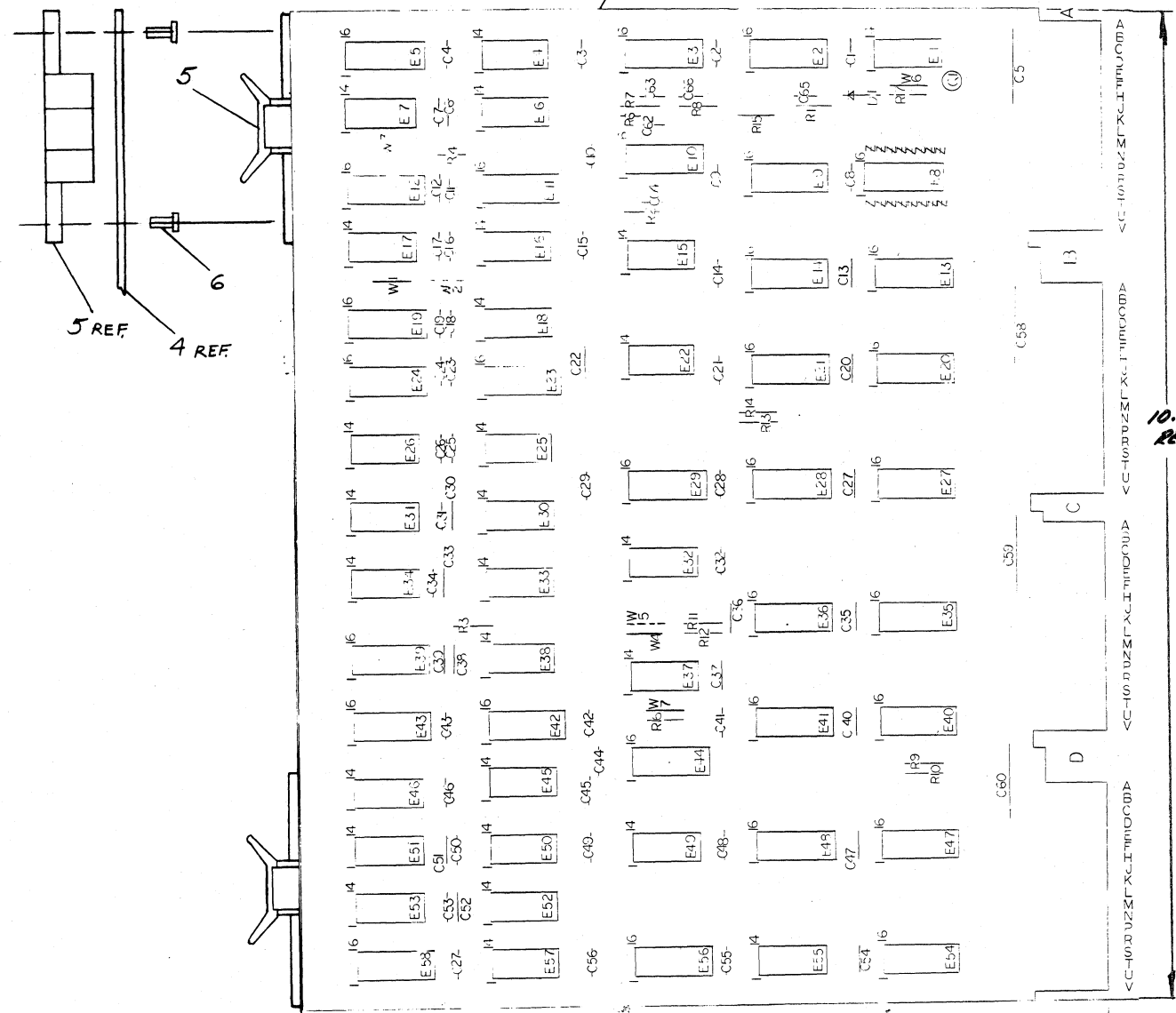


This drawing and specifications, herein, are the property of Digital Equipment Corporation and shall not be reproduced or copied or used in whole or in part as the basis for the manufacture or sale of items without written permission. COPYRIGHT © 1973 DIGITAL EQUIPMENT CORPORATION

**NOTES:**

\* IF NECESSARY USE I.C. DEC 8875 P/N 1910647  
 \*\* IC DEC 384 P/N 1909486 OR 5384 P/N 1910394 MAY BE SUBSTITUTED FOR 7384 IN E26. EI MUST BE A 7384

**PIN NOMENCLATURE  
 MODULE RK11-D**

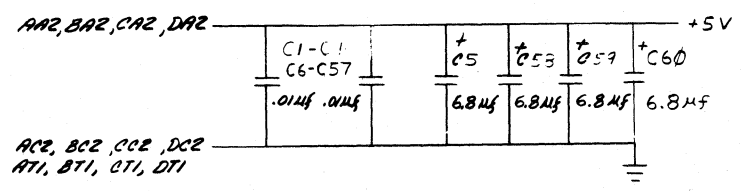


QTY	REF DESIGNATION	DESCRIPTION	PART NO.	ITEM NO.
1	Q1	TRANSISTOR DEC 6534B	1503409-01	50
1	E8	IC SOCKET	1209838	49
4	W1,W4,W6,W7	INSULATED WARRER L-2007-1	9009185	48
1	E39	I.C. DEC 7475	1903050	47
2	E23,E41	I.C. DEC 74175	1910631	46
1	E55	I.C. DEC 8815	1909713	45
1	E9	I.C. DEC 74155	1909063	44
2	E17,E52	I.C. DEC 74153	1909062	43
1	E38	I.C. DEC 7408	1910135	42
1	E45	I.C. DEC 74111	1909267	41
5	E21,E27,E28,E29,E40	I.C. DEC 74123	1910018	40
4	E12,E19,E24,E56	I.C. DEC 74161	1910650	39
1	E57	I.C. DEC 74174	1909667	38
3	E6,E7,E37	I.C. DEC 7479	1905597	37
1	E53	I.C. DEC 74152	1909061	35
2	E15,E22	I.C. DEC 7437	1910091	34
2	E1,E26	I.C. DEC 7384	1910393	33
1	E30	I.C. DEC 8881	1909705	32
3	E2,E3,E10	I.C. DEC 74123	1910436	31
3	E7,E43,E44	I.C. DEC 4015	1910087	30
2	E31,E32	I.C. DEC 7420	1905577	29
1	E16	I.C. DEC 7410	1905876	28
3	E18,E39,E49	I.C. DEC 7400	1905575	27
2	E46,E50	I.C. DEC 7402	1909009	26
8	E3,E7,E27,E35,E36,E42,E43	I.C. DEC 74153	1909937	25
1	E11	I.C. DEC 7496	1910363	24
1	E25	I.C. DEC 7427	1910878	23
2	E51,E33	I.C. DEC 7409	1909686	22
1	E43	I.C. DEC 7442	1910096	21
3	R10,R12,R14	RES. 750 Ω 1/4 W 5%	1301401	20
2	R9,R11,R13	RES. 330 Ω 1/4 W 5%	1300295	19
3	R3,R15,R16	RES. 1 K 1/4 W 5%	1300365	18
1	R1	RES. 47K 1/4 W 5%	1302177	17
1	R2	RES. 3K 1/4 W 5%	1300432	16
4	R2,R6,R7,R8	RES. 10K 1/4 W 5%	1300479	15
1	R17	RES. 470 Ω 1/4 W 5%	1300316	14
1	D1	DIODE 1N748A 3.9V	1100122	13
2	C62,C63	CAP. 47PF 100V 5% D.M	1006011	12
1	C65	CAP. 390 PF 100V 5% D.M	1001631	11
1	C69	CAP. 56PF 100V 5% D.M	1000012	10
1	C66	CAP. 120PF 100V 5% D.M.	1000018	9
5	C1-C4, C6-C57	CAP. .01 MF 100V 20% AXIAL	1001610	8
4	C5,C58,C59,C60	CAP. 6.8 MF 35V, 10% TANT	1005306	7
8		EYELET (GS-9-7) STAMPSON	9006732	6
4		HANDLE (RIP-CHMP) MAGENTA	9008337-06	5
1		ETCHED CIRCUIT BOARD	5009985	4
REF		MODULE ECO HISTORY	B-M-M7254-0-6	3
REF		ASSY/DRILLING HOLE LAYOUT	B-M-M7254-0-5	2
REF		X-Y COORDINATE HOLE LOCATION	K-C8-M7254-0-4	1

IC TYPE	GND	+5V
I.C. DEC 74175	8	16
I.C. DEC 74161	8	16
I.C. DEC 7384	1	8
I.C. DEC 4015	8	16
I.C. DEC 7496	12	5
I.C. DEC 74193	8	16
I.C. DEC 74153	8	16
I.C. DEC 74123	8	16
I.C. DEC 7475	12	5
I.C. DEC 7442	8	16

IC PIN LOCATIONS

GND AND 5V ARE USUALLY PIN 7 AND 14 RESPECTIVELY. EXCEPTIONS ARE STATED ABOVE.



FIRST USED ON OPTION MODEL  
**RK11-D**

ETCH BOARD REV E

ORIGINATED: [ ]  
 CHANGE NO: [ ]  
 REV: [ ]

DATE: 4-5-73  
 DATE: [ ]  
 DATE: [ ]  
 DATE: [ ]  
 DATE: [ ]

digital EQUIPMENT CORPORATION  
 MAYNARD, MASSACHUSETTS

TITLE: STATUS CONTROL  
 RK11-D

DEC NO. [ ] EIA NO. [ ]  
 DEC NO. [ ] EIA NO. [ ]

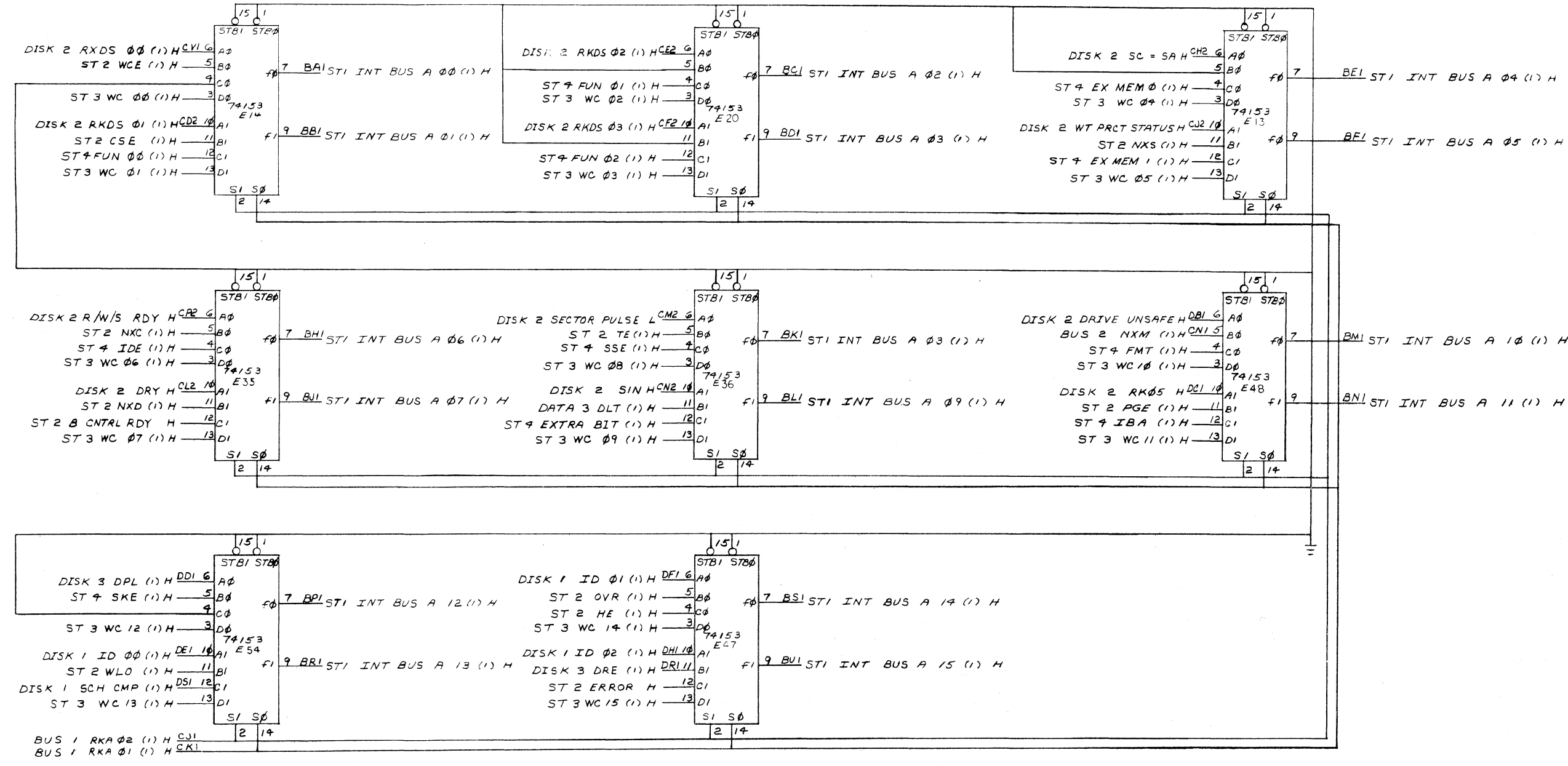
SCALE: NONE  
 SHEET: 2 OF [ ]

SIZE CODE: DCS  
 NUMBER: M7254-0-1  
 REV: H

SEMICONDUCTOR CONVERSION CHART

BRUNING 40-522 16699  
 DEC FORM NO DRD-135A

This drawing and specifications, herein, are the property of Digital Equipment Corporation and shall not be reproduced or copied or used in whole or in part as the basis for the manufacture or sale of items without written permission. COPYRIGHT © 1973  
DIGITAL EQUIPMENT CORPORATION



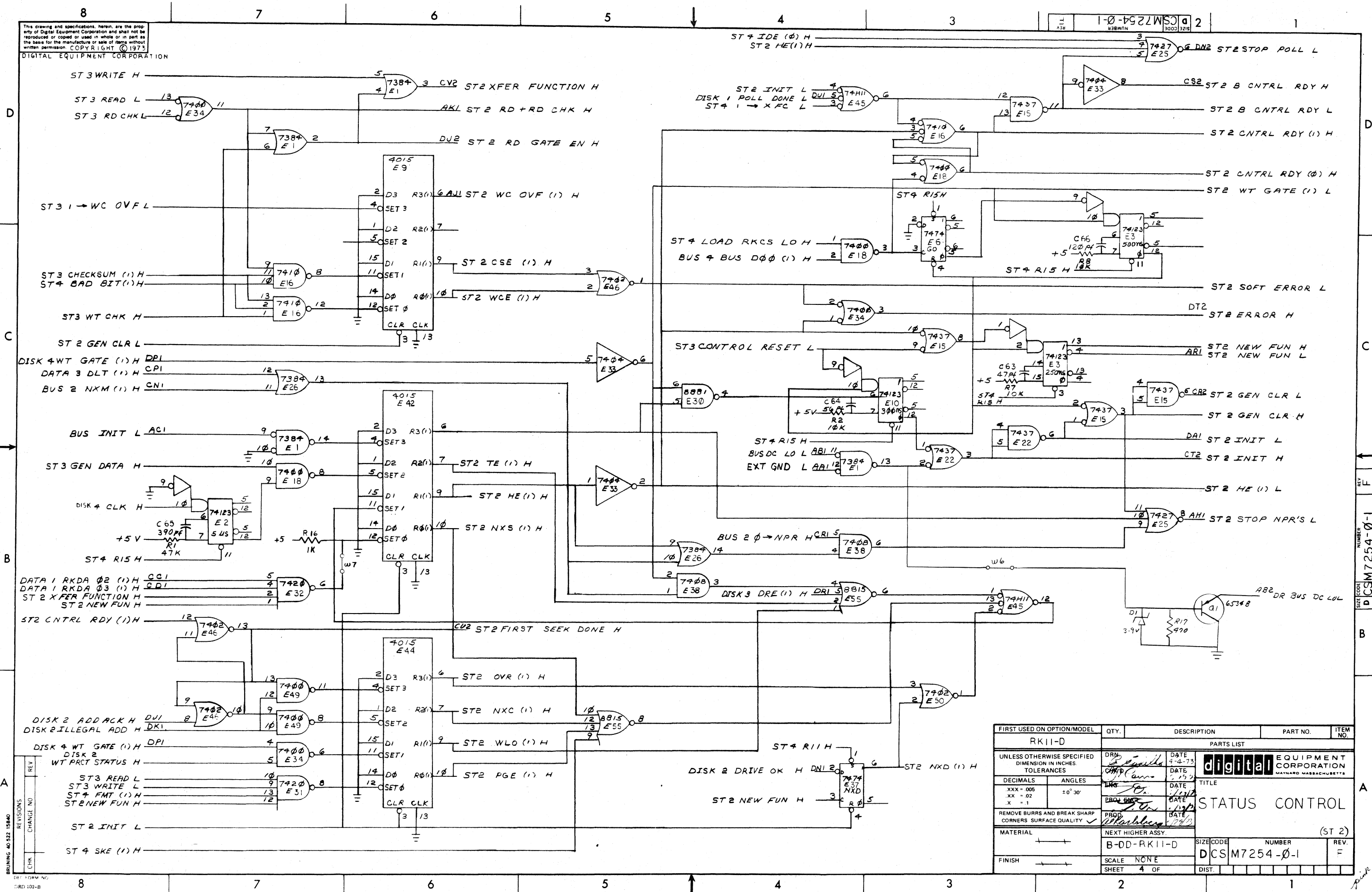
- NOTES:
1. CUT W3 FOR 16 BIT OPERATION (RK11-D)
  2. CUT W1 FOR 18 BIT OPERATION (RK11-E)
  3. CUT W2 FOR 16 BIT OPERATION (RK11-D)
  4. CUT W5 FOR NORMAL OPERATION (CHECKS HEADER 16 TIMES BEFORE FLAGGING SEEK ERROR)
  5. CUT W4 FOR RK11-C COMPATABILITY (CHECKS HEADER ONCE)

REV	NO
CHK	NO

FIRST USED ON OPTION/MODEL	QTY.	DESCRIPTION	PART NO.	ITEM NO.
RK11-D				
PARTS LIST				
UNLESS OTHERWISE SPECIFIED DIMENSION IN INCHES TOLERANCES	DRN <i>[Signature]</i>	DATE 4-4-73	 <b>digital</b> EQUIPMENT CORPORATION MAYNARD MASSACHUSETTS	
DECIMALS ANGLES	CHK <i>[Signature]</i>	DATE		
XXX = .005 XX = .02 X = .1	ENG <i>[Signature]</i>	DATE		
REMOVE BURRS AND BREAK SHARP CORNERS SURFACE QUALITY	PRJ <i>[Signature]</i>	DATE		
MATERIAL	NEXT HIGHER ASSY.	TITLE		
FINISH	B-DD-RK11-D	SIZE CODE	NUMBER	REV.
	SCALE NONE	DCS	M7254-0-1	C
	SHEET 3 OF	DIST.		

This drawing and specifications herein are the property of Digital Equipment Corporation and shall not be reproduced or copied or used in whole or in part as the basis for the manufacture or sale of items without written permission. COPYRIGHT © 1973 DIGITAL EQUIPMENT CORPORATION

1-0-4-9527WCSO 2



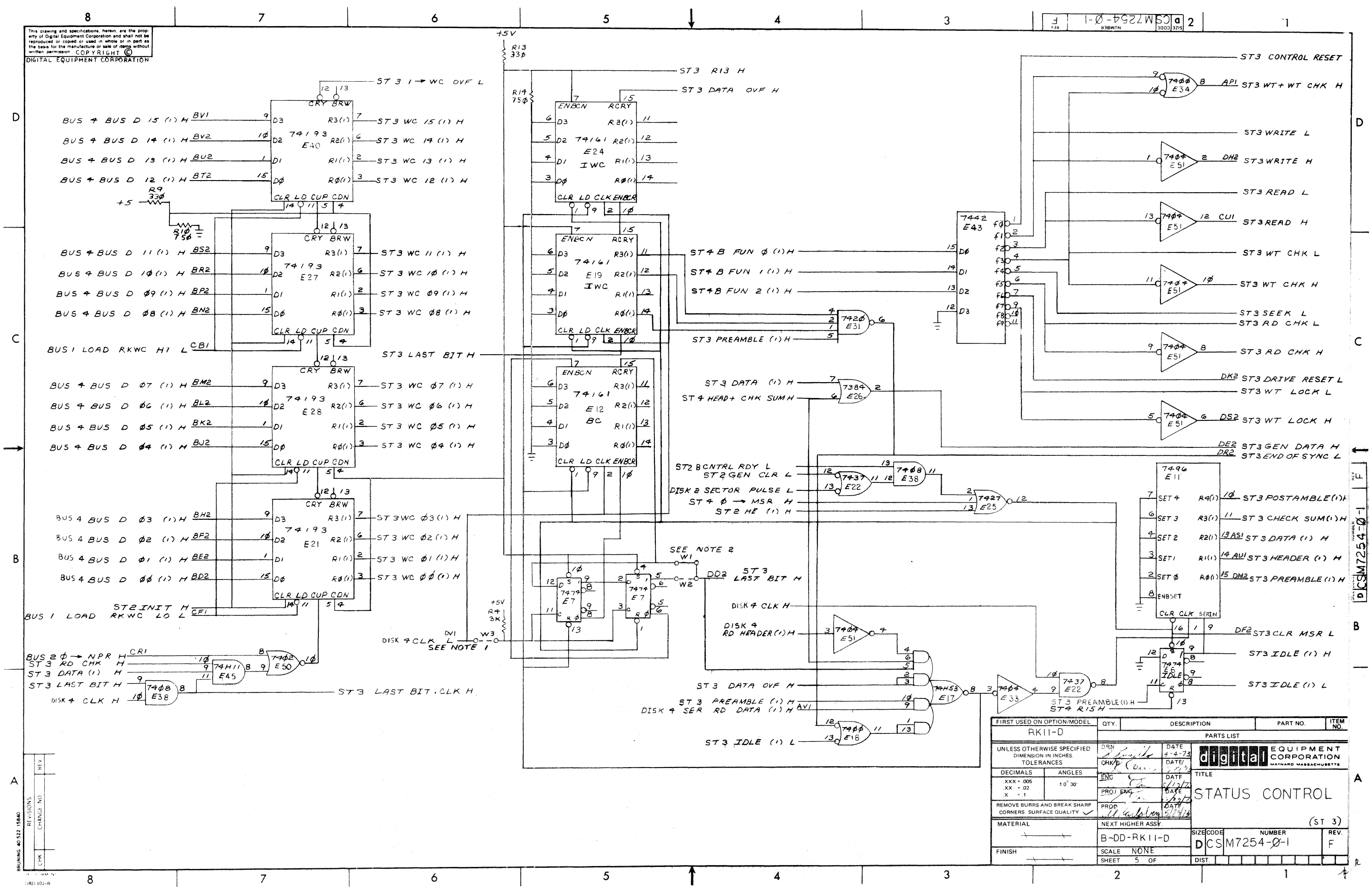
FIRST USED ON OPTION/MODEL	QTY.	DESCRIPTION	PART NO.	ITEM NO.
RK11-D				
UNLESS OTHERWISE SPECIFIED DIMENSION IN INCHES TOLERANCES				
DECIMALS	ANGLES	TITLE		
XXX - .005	± 0° 30'	STATUS CONTROL (ST 2)		
XX - .02		MATERIAL		
X - .1		NEXT HIGHER ASSY.		
REMOVE BURRS AND BREAK SHARP CORNERS SURFACE QUALITY		B-DD-RK11-D		
FINISH		SCALE	NONE	REV. F
SHEET 4 OF		DIST.		

BRUNING 40-522-15840  
REV. 108M NG  
DRD 102-B

REV. F  
NUMBER DCSM7254-0-1

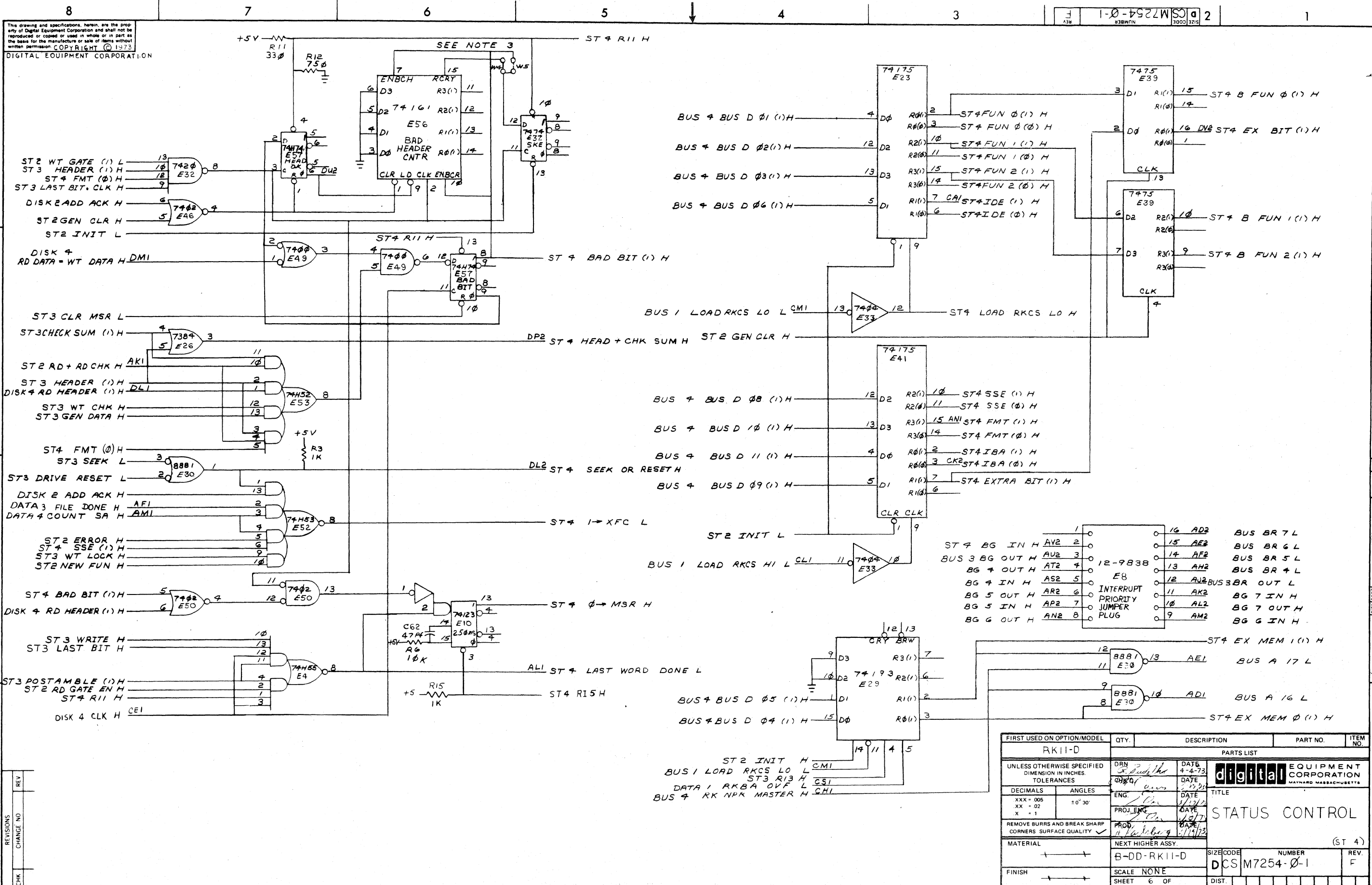
This drawing and specifications, herein, are the property of Digital Equipment Corporation and shall not be reproduced or copied or used in whole or in part as the basis for the manufacture or sale of items without written permission. COPYRIGHT © DIGITAL EQUIPMENT CORPORATION

DCSM7254-0-1



FIRST USED ON OPTION/MODEL	QTY.	DESCRIPTION	PART NO.	ITEM NO.
AK11-D				
PARTS LIST				
UNLESS OTHERWISE SPECIFIED DIMENSION IN INCHES TOLERANCES		DRN	DATE	 <b>DIGITAL</b> EQUIPMENT CORPORATION <small>MAYNARD, MASSACHUSETTS</small>
DECIMALS	ANGLES	CHKD	DATE	
XXX = .005	± 0° 30'	ENG	DATE	
XX = .02		PROJ ENG	DATE	
REMOVE BURRS AND BREAK SHARP CORNERS. SURFACE QUALITY		PROD	DATE	<b>STATUS CONTROL</b> (ST 3)
MATERIAL		NEXT HIGHER ASSY.		
FINISH		SCALE NONE		
SHEET 5 OF		SIZE CODE	NUMBER	REV.
		D	DCSM7254-0-1	F
		DIST.		

BRUNING 40-522 15840  
REVISIONS  
CHK CHANGE NO



This drawing and specifications, herein, are the property of Digital Equipment Corporation and shall not be reproduced or copied or used in whole or in part as the basis for the manufacture or sale of items without written permission. COPYRIGHT © 1973 DIGITAL EQUIPMENT CORPORATION.

CSM7254-0-1 2

FIRST USED ON OPTION/MODEL	QTY.	DESCRIPTION	PART NO.	ITEM NO.
RK11-D				
PARTS LIST				
UNLESS OTHERWISE SPECIFIED DIMENSION IN INCHES TOLERANCES				
DECIMALS	ANGLES	DATE		
XXX - 005	±0° 30'	4-4-73		
XX - 02		DATE		
X - 1		5/19/73		
REMOVE BURRS AND BREAK SHARP CORNERS SURFACE QUALITY				
MATERIAL				
NEXT HIGHER ASSY.				
FINISH				
SCALE NONE				
SHEET 6 OF				
DIGITAL EQUIPMENT CORPORATION		MAYNARD MASSACHUSETTS		
STATUS CONTROL (ST 4)				
SIZE CODE		NUMBER		REV.
DCS M7254-0-1				F
DIST.				

BRUNING 40-522 15840  
REVISIONS  
CHANGE NO.  
CHK

REV. F  
NUMBER  
DCS M7254-0-1

PAGE REVISION CONTROL SHEET

SH NO.	PAGE REVISIONS															REMARKS
	B	C	D	E	F	H	FI	J	F2	K	L	M	N	P		
1	B	C	D	E	F	H	FI	J	F2	K	L	M	N	P	DISK 1 DISK 2 DISK 3 DISK 4	
2	B	C	C	C	C	D	CI	E	CI	E	F	F	H	J		
3	B	C	C	C	C	D	CI	D	DI	D	D	D	D	D		
4	B	B	B	C	D	E	DI	E	DI	E	E	F	F	F		
5	B	B	B	B	B	C	BI	D	BI	D	E	E	F	F		
6	B	B	C	C	C	D	CI	D	CI	D	D	D	D	D		
7	B	C	D	D	D	E	DI	E	DI	E	E	F	H	J		
ECO NO.			00001-1A	00002	00003	00004	00005	00006	00006	00007	00007	00008	00009	00010	00011	
ETCH REV.	C	D	D	D	D	E	C&D	E	C&L	E	E	E	F	P		
ENG.			70	70	70	70	70	70	70	70	70	70	REC	REC		
DATE		10-27	2-15-73	4/17	5/29/73	7-17	10/10/73	11/17	1/17/74	4/19/74	10/14/74	3/20/75	7/23/76			
															FIRST USED ON OPTION/MODEL	
															RK11-D	

DRN.	<i>Wilson</i>	DATE	10/11/72
CHK'D	<i>[Signature]</i>	DATE	11/12
ENG.	<i>[Signature]</i>	DATE	10/2/72
PROJ. ENG.	<i>[Signature]</i>	DATE	11/24
PROD.	<i>[Signature]</i>	DATE	11/24

**digital** EQUIPMENT CORPORATION  
MAYNARD MASSACHUSETTS

TITLE  
DISK CONTROL  
RK11-D

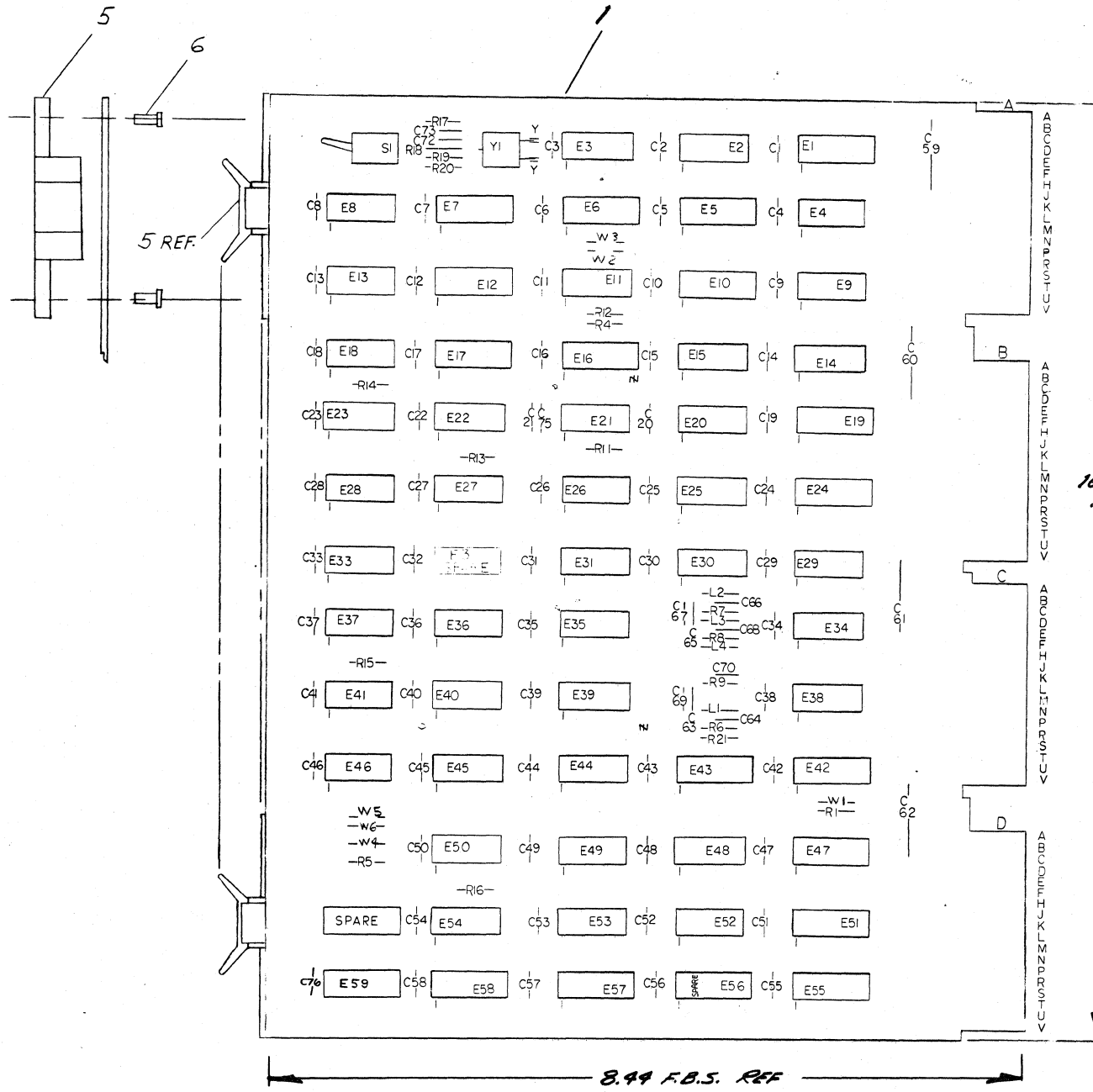
"THIS DRAWING AND SPECIFICATIONS, HEREIN, ARE THE PROPERTY OF DIGITAL EQUIPMENT CORPORATION AND SHALL NOT BE REPRODUCED OR COPIED OR USED IN WHOLE OR IN PART AS THE BASIS FOR THE MANUFACTURE OR SALE OF ITEMS WITHOUT WRITTEN PERMISSION.  
COPYRIGHT © DIGITAL EQUIPMENT CORPORATION

NEXT HIGHER ASSY.			
B-DD-RK11-D			
SCALE	→ → →		
SHEET	1	OF	7
SIZE	CODE	NUMBER	REV.
B	CS	M7255-0-1	P
DIST.			

This drawing and specifications, herein, are the property of Digital Equipment Corporation and shall not be reproduced or copied or used in whole or in part as the basis for the manufacture or sale of items without written permission. COPYRIGHT ©  
DIGITAL EQUIPMENT CORPORATION

**NOTES:**

1.) IF 8640'S (ITEM#33) ARE NOT AVAILABLE, USE 11380'S PART NO. 19-11113



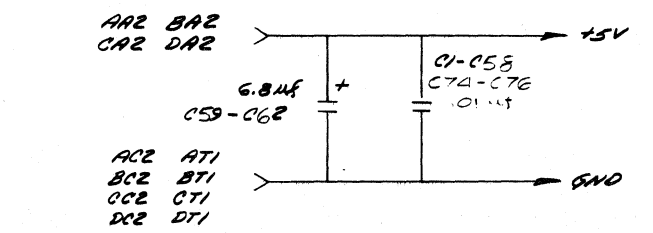
**PIN NOMENCLATURE  
MODULE RK11-D**

QTY	REF DESIGNATION	DESCRIPTION	PART NO.	ITEM NO.	
3	W1, W2, W6	INSULATED JUMPER	2007-1	9009185 53	
2		SPLIT LUGS		9006735 52	
2		SWAGE LUGS		9007791 51	
1	SI	SWITCH TOGGLE SPD7		1210209 50	
4	L1-L4	INDUCTOR, 100UH, 165MA 10%		1610662 49	
1	Y1	CRYSTAL (SEE TABLE I)			48
10	E11, E16, E22, E27, E41, E48, E49, E52-E59	I.C. DEC 7474		1905547 47	
1	E50	I.C. DEC 74H04		1909931 46	
2	E13, E46	I.C. DEC 7408		1910155 45	
1	E59	I.C. DEC 314		1909704 44	
1	E55	I.C. DEC 74161		1910650 43	
1	E31	I.C. DEC 8815		1909713 42	
1	E43	I.C. DEC 7442		1910046 41	
1	E7	I.C. DEC 7476		1905585 40	
1	E6	I.C. DEC 74174		1910652 39	
1	E28	I.C. DEC 7482		1905584 38	
1	E18	I.C. DEC 74N21		1909058 37	
1	E36	I.C. DEC 74H50		1909060 36	
1	E37	I.C. DEC 7450		1905580 35	
1	E34	I.C. DEC 8242		1909718 34	
6	E20, E21, E25, E29, E30, E38	I.C. DEC 7410		1911469 33	
2	E12, E17	I.C. DEC 74123		1910018 32	
2	E42, E47	I.C. DEC 74157		1910655 31	
1	E57	I.C. DEC 74151		1909836 30	
2	E51, E58	I.C. DEC 74175		1910651 29	
1	E3	I.C. DEC 380		1912549 28	
5	E2, E8, E9, E14, E15	I.C. DEC 8881		1909705 27	
				26	
1	E35	I.C. DEC. 7420		1905577 25	
3	E23, E39, E45	I.C. DEC 7410		1905576 24	
3	E3, E90, E44	I.C. DEC 7400		1905575 23	
2	E5, E10	I.C. DEC 7496		1910363 22	
2	E26, E33	I.C. DEC 7404		1909686 21	
7	R1, R4, R12, R13, R15, R16, R21	RES. 1K 1/4W 5%		1300365 20	
1	R5	RES. 3K 1/4W 5%		1300432 19	
4	R6-R9	RES. 910Ω 1/4W 5%		1305374 18	
2	R17, R18	RES. 10K 1/4W 5%		1300479 17	
				16	
2	R11, R14	RES. 390Ω 1/4W 5%		1300309 15	
2	R19, R20	RES. 470Ω 1/4W 5%		1300316 14	
3	E1, E19, E24	RES. PACK		1311003-01 13	
2	C72, C73	CAP. 0.05PF 100V 20%		1001765 12	
4	C63, C65, C67, C69	CAP. 270PF 100V 5% DM		1000022 11	
4	C64, C66, C68, C70	CAP. 39PF 100V 5% DM		1000010 10	
60	C1-C58, C75, C76	CAP. 0.1μF 100V 20% AXIAL		1001610 9	
4	C59-C62	CAP. 6.8μF 35V 10% TAN		1003306 8	
				7	
8		EYELET (GS-A-7) STAMPSON		9006732 6	
4		HANDLE FLIP-CHIP MAGENTA		9008337-06 5	
1		ETCHED CIRCUIT BOARD		5009986 4	
REF		MODULE ECO HISTORY		BVW-M7255-0-6 3	
REF		ASSY/DRILLING HOLE LAYOUT		D-M-M7255-0-5 2	
REF		X-Y COORDINATE HOLE LOCATION		K-C-M7255-0-4 1	

I.C. DEC 8640	1	8
I.C. DEC 380	1	8
I.C. DEC 74193	8	16
I.C. DEC 74175	8	16
I.C. DEC 74161	8	16
I.C. DEC 74151	8	16
I.C. DEC 74157	8	16
I.C. DEC 7496	5	12
I.C. DEC 314	1	8
I.C. DEC 7482	11	4
I.C. DEC 74174	8	16
I.C. DEC 7476	5	13
I.C. DEC 7442	8	16
I.C. DEC 74123	8	16
IC TYPE	GND	+5V

GND AND 5V ARE USUALLY PIN 7 AND 14 RESPECTIVELY. EXCEPTIONS ARE STATED ABOVE.

**IC PIN LOCATIONS**



CHK	CHANGE NO.	REV	DEC NO.	EIA NO.	DEC NO.	EIA NO.	SCALE	SHEET	OF	DATE	BY	DATE	BY	DATE	BY	DATE	BY	DATE	BY

**SEMICONDUCTOR CONVERSION CHART**

DEC NO.	EIA NO.	DEC NO.	EIA NO.

**PARTS LIST**

ETCH BOARD REV F

DATE: 7/17/73

BY: [Signature]

**digital EQUIPMENT CORPORATION**  
MAYNARD, MASSACHUSETTS

**DISK CONTROL**  
RK11-D

SIZE CODE: D | CS | M7255-0-1 | REV. J

BRUNING 40-522 16699  
DEC FORM NO  
ORD 135A



8  
 "THIS DRAWING AND SPECIFICATIONS, HEREIN, ARE THE PROPERTY OF DIGITAL EQUIPMENT CORPORATION AND SHALL NOT BE REPRODUCED OR COPIED OR USED IN WHOLE OR IN PART AS THE BASIS FOR THE MANUFACTURE OR SALE OF ITEMS WITHOUT WRITTEN PERMISSION. COPYRIGHT © 1973 DIGITAL EQUIPMENT CORPORATION"

- 7  
**NOTES:**  
 1.) INSTALL W1 FOR RK05.  
 2.) CUT W4 FOR RK11-C COMPATIBILITY (NORMAL OPERATION)  
 3.) FOR RK11-D (RK05) CUT JUMPER W3 FOR RK11-E (18 BIT RK05) CUT JUMPER W2.  
 4.) FOR NORMAL OPERATION INSTALL W6 (CHANGES ID BITS ONLY FOR SEARCH COMPLETE INTERRUPT). INSTALL W5 TO CHANGE ID BITS FOR ANY INTERRUPT.  
 5.) INSTALL PROPER CRYSTAL IN SPLIT LUGS AS OUTLINED IN TABLE I.

5  
 4  
 3  
 1

**TABLE I**

	DISK	BITS/WORD	MHZ	DEC P/N
RK11-D	RK05	16	2.000	18-10694-3
RK11-E	RK0E	18	3.090	18-10694-4

D CS M7255-0-1 2

D  
 C  
 B  
 A

D  
 C  
 B  
 A

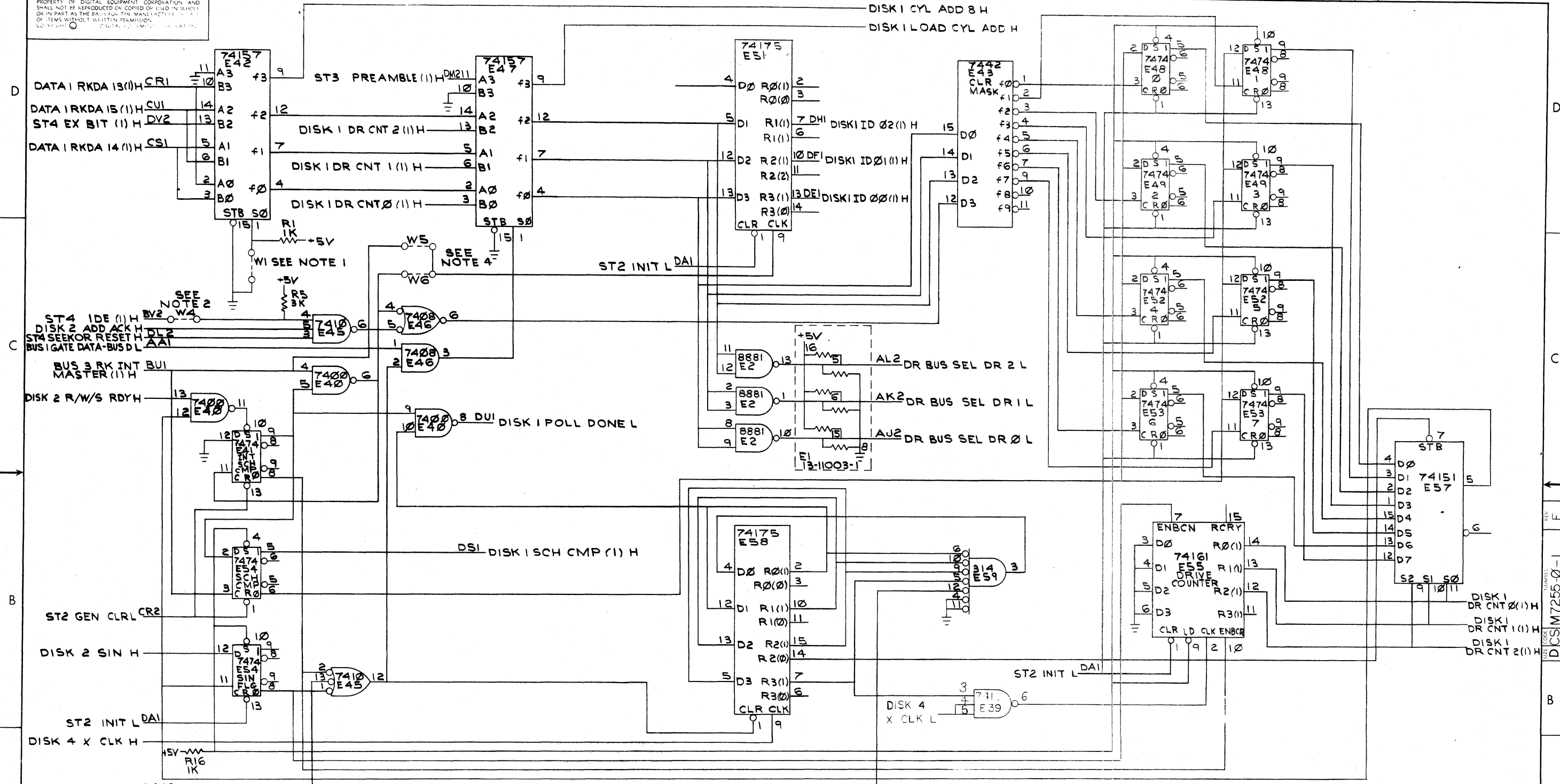
REV	
CHANGE NO	
CHK	

FIRST USED ON OPTION/MODEL	QTY.	DESCRIPTION	PART NO.	ITEM NO.
RK11-D		PARTS LIST		
UNLESS OTHERWISE SPECIFIED DIMENSION IN INCHES	DRN.	DATE	<b>digital</b> EQUIPMENT CORPORATION <small>MAYNARD MASSACHUSETTS</small>	
TOLERANCES	CHK'D.	DATE		
DECIMALS	ENG.	DATE		
ANGLES	PROJ. ENG.	DATE		
REMOVE BURRS AND BREAK SHARP CORNERS SURFACE QUALITY 1	PROD.	DATE	TITLE <b>DISK CONTROL</b> <b>RK11-D</b>	
MATERIAL	NEXT HIGHER ASSY.			
FINISH	B-DD-RK11-D	SCALE NONE	SIZE CODE D CS	NUMBER M7255-0-1
	SHEET 2 OF	DIST.		REV. D

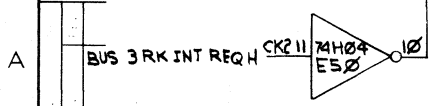
D CS M7255-0-1

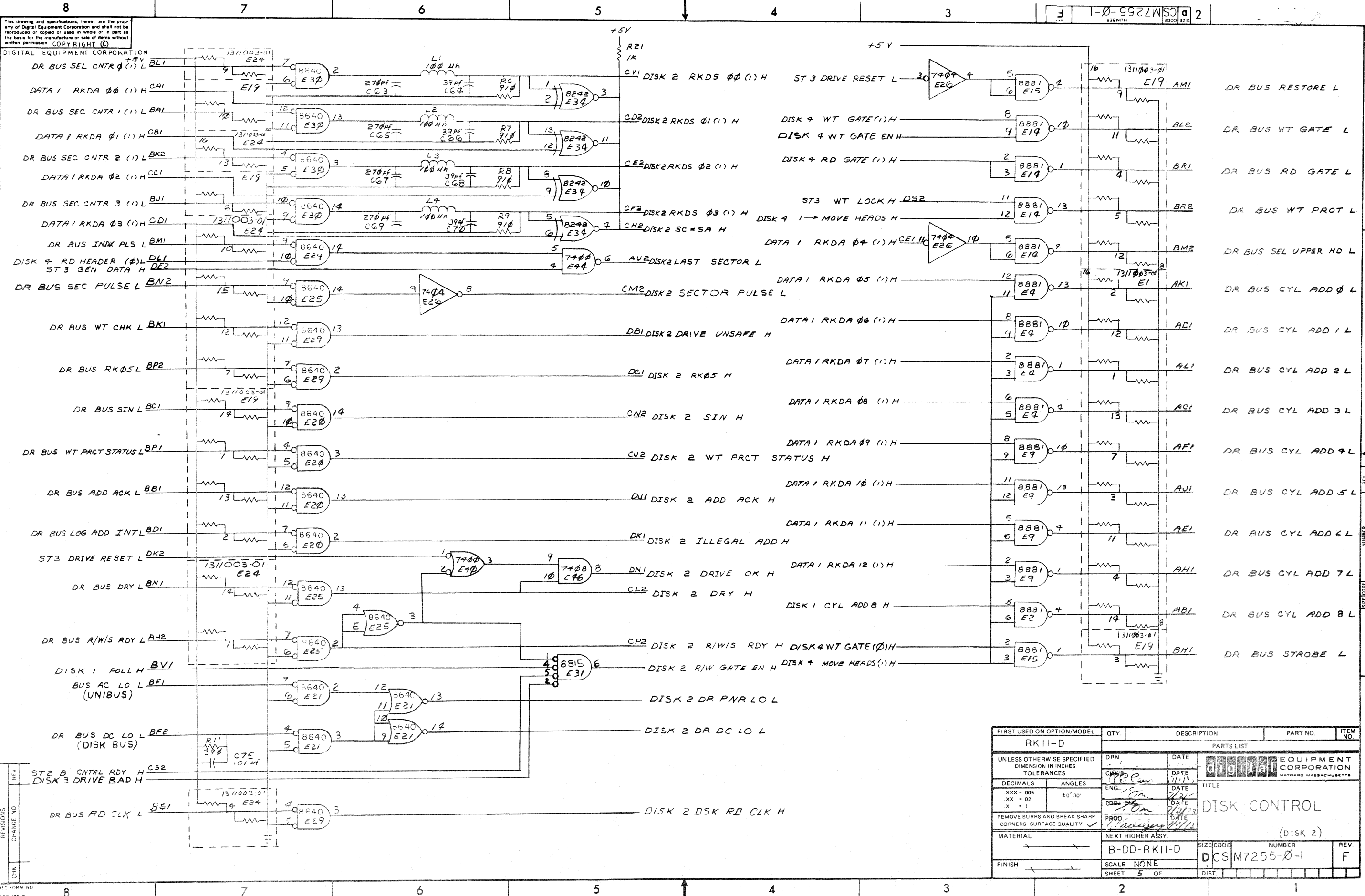
8 7 6 5 4 3 2 1

THIS DRAWING AND SPECIFICATIONS HEREIN ARE THE PROPERTY OF DIGITAL EQUIPMENT CORPORATION AND SHALL NOT BE REPRODUCED OR COPIED OR USED IN WHOLE OR IN PART AS THE BASIS FOR THE MANUFACTURE OF ANY OF THE PRODUCTS OF DIGITAL EQUIPMENT CORPORATION WITHOUT WRITTEN PERMISSION.



FIRST USED ON OPTION MODEL	QTY.	DESCRIPTION	PART NO.	ITEM NO.
RK11-D				
PARTS LIST				
UNLESS OTHERWISE SPECIFIED DIMENSION IN INCHES	DRN	DATE	digital EQUIPMENT CORPORATION MAYNARD, MASSACHUSETTS	
TOLERANCES	CHK P.	DATE	TITLE DISK CONTROL	
DECIMALS	ANGLES	ENG.	DATE	REV. F
xxx - .005	0 30	PROJ. E.D.	DATE	
xx - .02		PROD.	DATE	NUMBER D CS M7255-0-1
x - .1		REWORK	DATE	
REMOVE BURRS AND BREAK SHARP EDGES TO PREPARE QUALITY				REV. F
MATERIAL	NEXT HIGHER ASSY.			
FINISH	E-DD-RK11-D	SCALE	SHEET 4 OF	
		DIST.		





This drawing and specifications, herein, are the property of Digital Equipment Corporation and shall not be reproduced or copied or used in whole or in part as the basis for the manufacture or sale of items without written permission. **COPYRIGHT ©**

DIGITAL EQUIPMENT CORPORATION

REV. NO. \_\_\_\_\_  
 CHANGE NO. \_\_\_\_\_  
 CHK \_\_\_\_\_

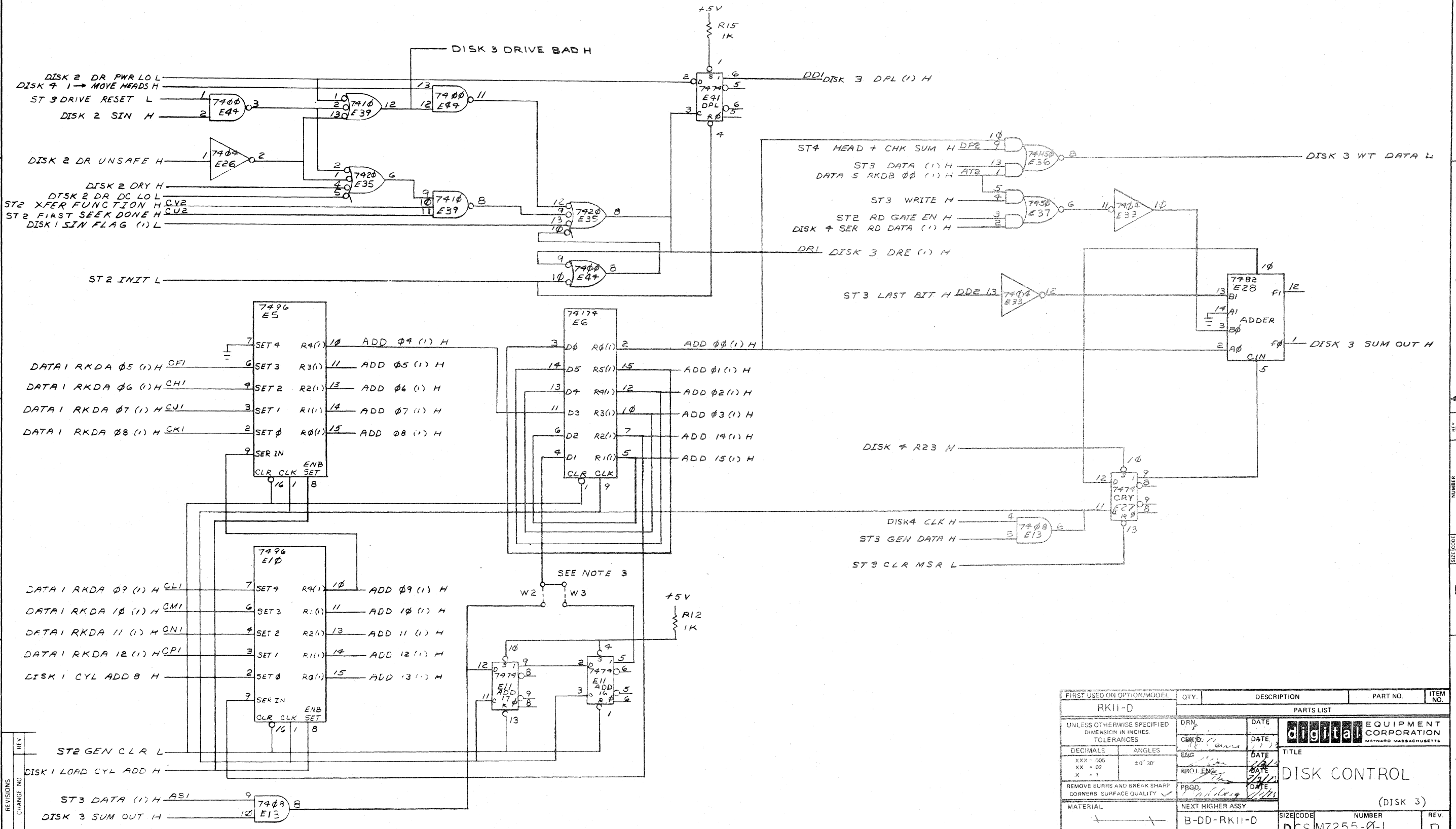
FIRST USED ON OPTION/MODEL	QTY.	DESCRIPTION	PART NO.	ITEM NO.
RK11-D		PARTS LIST		
UNLESS OTHERWISE SPECIFIED DIMENSION IN INCHES TOLERANCES		DRN. _____ DATE _____	DIGITAL EQUIPMENT CORPORATION MAYNARD, MASSACHUSETTS	
DECIMALS _____	ANGLES _____	ENG. _____ DATE _____	TITLE	
XXX = .005	± 0° 30'	PROJ. ENG. _____ DATE _____	DISK CONTROL	
XX = .02		PROD. _____ DATE _____	(DISK 2)	
X = .1				
REMOVE BURRS AND BREAK SHARP CORNERS SURFACE QUALITY				
MATERIAL	NEXT HIGHER ASSY.			
FINISH	B-DD-RK11-D	SIZE CODE	NUMBER	REV.
	SCALE NONE	DCS M7255-0-1		F
	SHEET 5 OF	DIST.		

BRUNING 40322-156-0

DEC FORM NO. DRD 102-B

This drawing and specifications, herein, are the property of Digital Equipment Corporation and shall not be reproduced or copied or used in whole or in part as the basis for the manufacture or sale of items without written permission. COPYRIGHT ©

DIGITAL EQUIPMENT CORPORATION



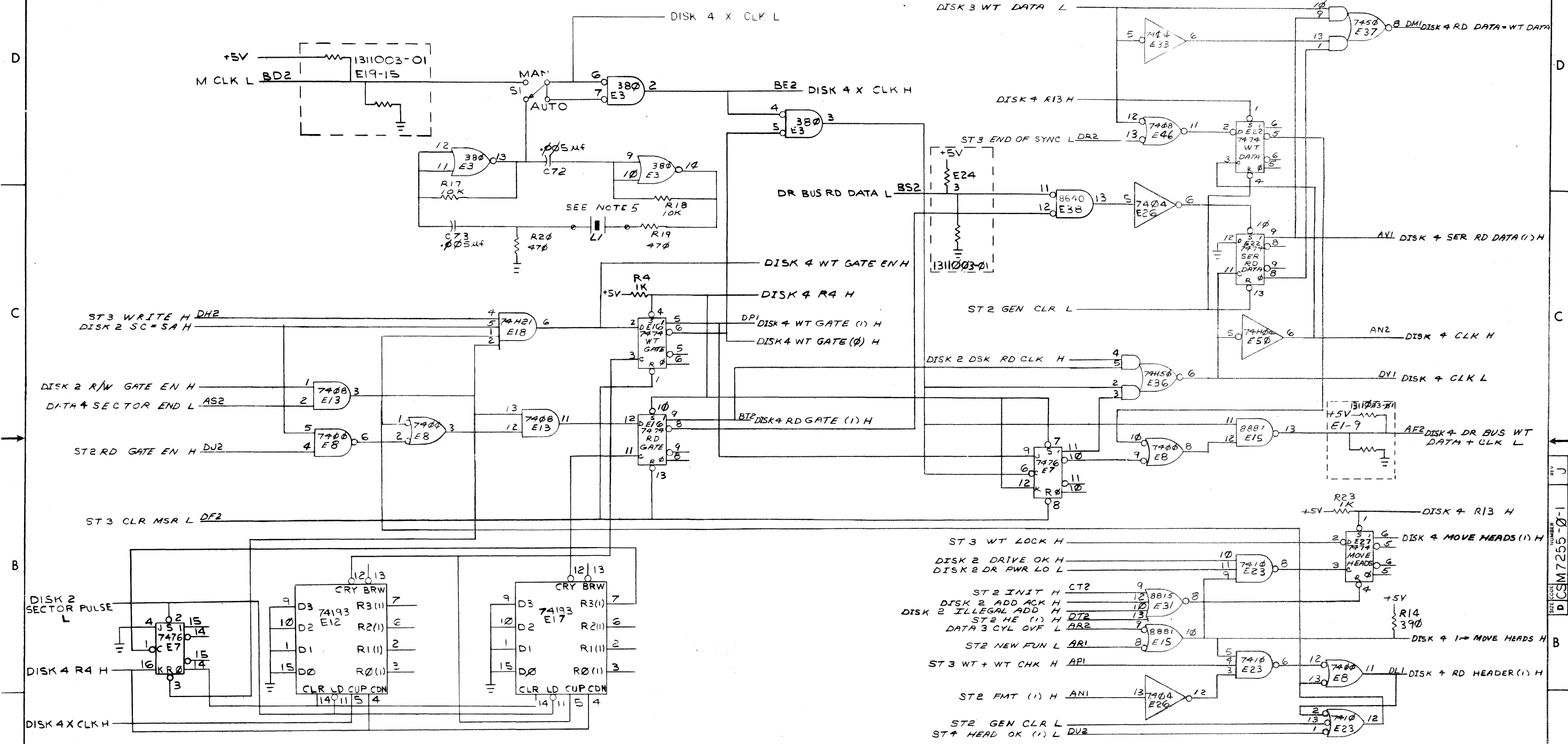
FIRST USED ON OPTION/MODEL	QTY.	DESCRIPTION	PART NO.	ITEM NO.
RK11-D		PARTS LIST		
UNLESS OTHERWISE SPECIFIED DIMENSION IN INCHES TOLERANCES		DATE	digital EQUIPMENT CORPORATION MAYNARD MASSACHUSETTS	
DECIMALS	ANGLES	DATE	TITLE	
XXX = .005	± 0° 30'	DATE	DISK CONTROL	
XX = .02		DATE	(DISK 3)	
X = .1		DATE		
REMOVE BURRS AND BREAK SHARP CORNERS SURFACE QUALITY	PROD.	DATE		
MATERIAL	NEXT HIGHER ASSY.			
FINISH	SCALE NONE	SIZE CODE	NUMBER	REV.
	SHEET 6 OF	DCS	M7255-0-1	D

BRUNING 40-222-15840  
REV. NO. 102-B

PART CODE NUMBER PCS M7255-0-1

This drawing and specifications herein are the property of Digital Equipment Corporation and shall not be reproduced or copied or used in whole or in part as the basis for the manufacture or sale of items without written permission. COPYRIGHT ©  
DIGITAL EQUIPMENT CORPORATION

1-0-5522W SCS 2




BRUNING 40-522 15840  
DEC FORM NO DRD 102-B

FIRST USED ON OPTION/MODEL	QTY.	DESCRIPTION	PART NO.	ITEM NO.
RK11-D		PARTS LIST		
UNLESS OTHERWISE SPECIFIED DIMENSION IN INCHES TOLERANCES	DRN: 1/19/72	DATE	digital EQUIPMENT CORPORATION MAYNARD, MASSACHUSETTS	
DECIMALS .XXX = .005	CHKD: 1/21/72	DATE	TITLE	
ANGLES ±0° 30'	ENG: 1/21/72	DATE	DISK CONTROL (DISK 4)	
REMOVE BURRS AND BREAK SHARP CORNERS SURFACE QUALITY	BRN: 1/21/72	DATE		
MATERIAL	PRD: 1/21/72	DATE	NEXT HIGHER ASSY.	
FINISH			B-DD-RK11-D	SIZE CODE
			SCALE NONE	NUMBER
			SHEET 7 OF	DCS M7255-0-1
				REV. J

PAGE REVISION CONTROL SHEET

SH NO.	PAGE REVISIONS																REMARKS
	A	B	C	D	E	F	G	H	I	J	K	L	M	N	O	P	
1	A	B	C	D	E	F	G	H	I	J	K	L	M	N	O	P	
2	A	B	B	B	C	D	E	F	G	H	I	J	K	L	M	N	
3	A	B	B	C	D	D	D	D	I	J	K	L	M	N	O	P	(DATA 1)
4	A	A	A	A	A	A	A	A	I	J	K	L	M	N	O	P	(DATA 2)
5	A	B	C	C	C	C	C	C	I	J	K	L	M	N	O	P	(DATA 3)
6	A	B	B	B	C	D	E	F	I	J	K	L	M	N	O	P	(DATA 4)
7	A	B	B	C	D	D	E	F	I	J	K	L	M	N	O	P	(DATA 5)
ECO NO.			00001	00002	00003	00004	545A	00006									
ETCH REV.	B	C	C	C	D	D	D	D									
ENG.		PC	TO	PC	PC	TO	TO										
DATE	12-7-72	3/6/73	6-25-73	8-6-73	1-10-74	12-12-74											
FIRST USED ON OPTION/MODEL																	
																RKII-D	

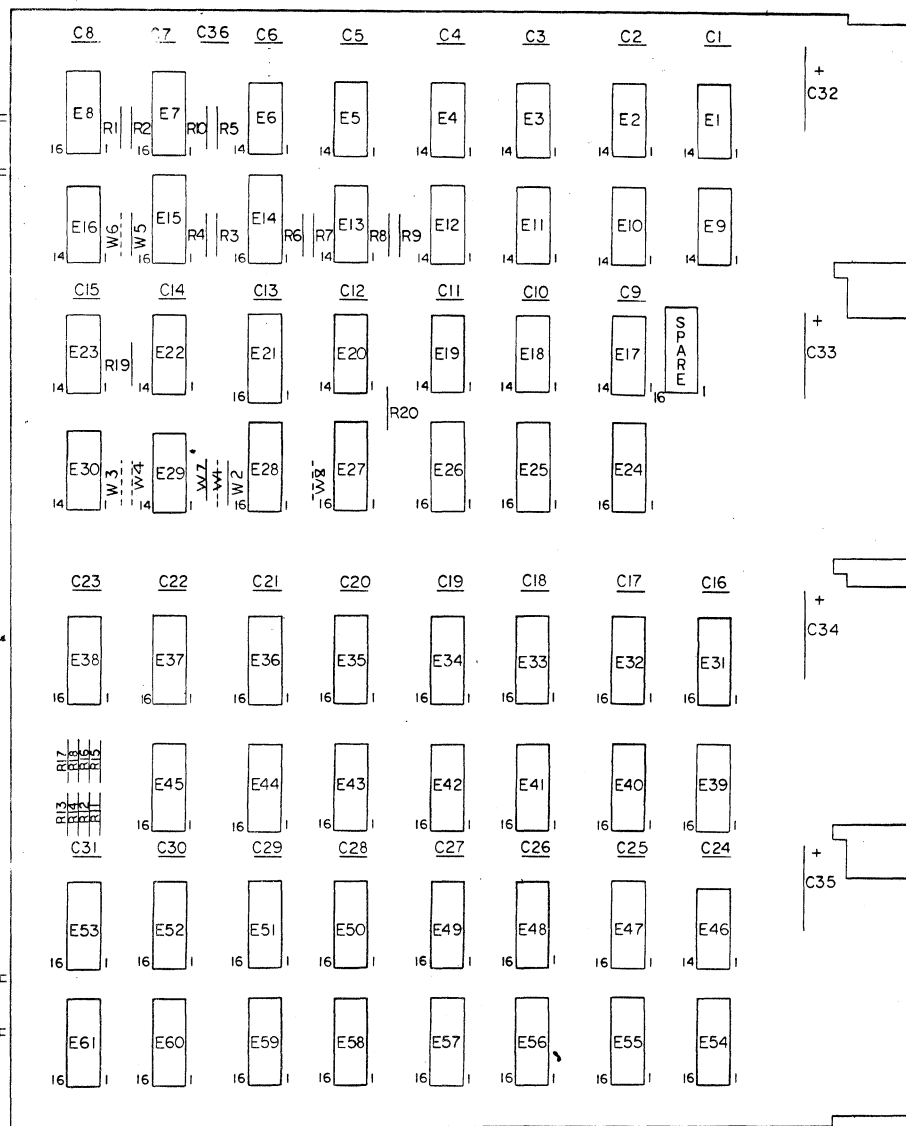
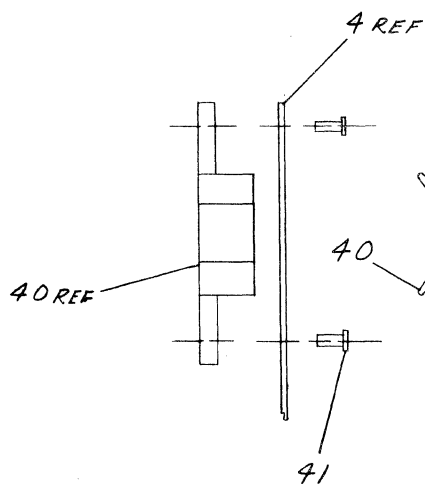
DRN <i>[Signature]</i> DATE <i>[Date]</i>			TITLE			
CHK'D. <i>[Signature]</i> DATE <i>[Date]</i>			DATA PATHS			
ENG. <i>[Signature]</i> DATE <i>[Date]</i>			(RKII-D)			
PROJ. ENG. <i>[Signature]</i> DATE <i>[Date]</i>			SIZE	CODE	NUMBER	REV.
PROD. <i>[Signature]</i> DATE <i>[Date]</i>			B	CS	M7256-Ø-1	H
NEXT HIGHER ASSY. B-DD-RKII-D			SCALE			
SHEET 1 OF 7			DIST.			

"THIS DRAWING AND SPECIFICATIONS, HEREIN, ARE THE PROPERTY OF DIGITAL EQUIPMENT CORPORATION AND SHALL NOT BE REPRODUCED OR COPIED OR USED IN WHOLE OR IN PART AS THE BASIS FOR THE MANUFACTURE OR SALE OF ITEMS WITHOUT WRITTEN PERMISSION. COPYRIGHT © DIGITAL EQUIPMENT CORPORATION"

This drawing and specifications, herein, are the property of Digital Equipment Corporation and shall not be reproduced or copied or used in whole or in part as the basis for the manufacture or sale of items without written permission. COPYRIGHT © DIGITAL EQUIPMENT CORPORATION

NOTES:

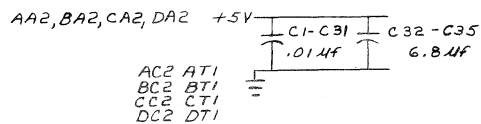
\* DEC 8640'S WERE PHASED IN AS 380 REPLACEMENTS. ANY 380 FAILURES SHOULD BE REPLACED BY 8640'S



PIN NOMENCLATURE MODULE RK11-D

Table with columns: QTY, REF DESIGNATION, DESCRIPTION, PART NO., TEM NO. Contains a detailed parts list for components like resistors, capacitors, and integrated circuits.

8.44 F.B.S REF



IC PIN LOCATIONS table with columns for IC TYPE, GND, and +5V. Includes a note: GND AND 5V ARE USUALLY PIN 7 AND 14 RESPECTIVELY. EXCEPTIONS ARE STATED ABOVE.

BRUNING 40-522 16699 DEC FORM NO. DRD-135A

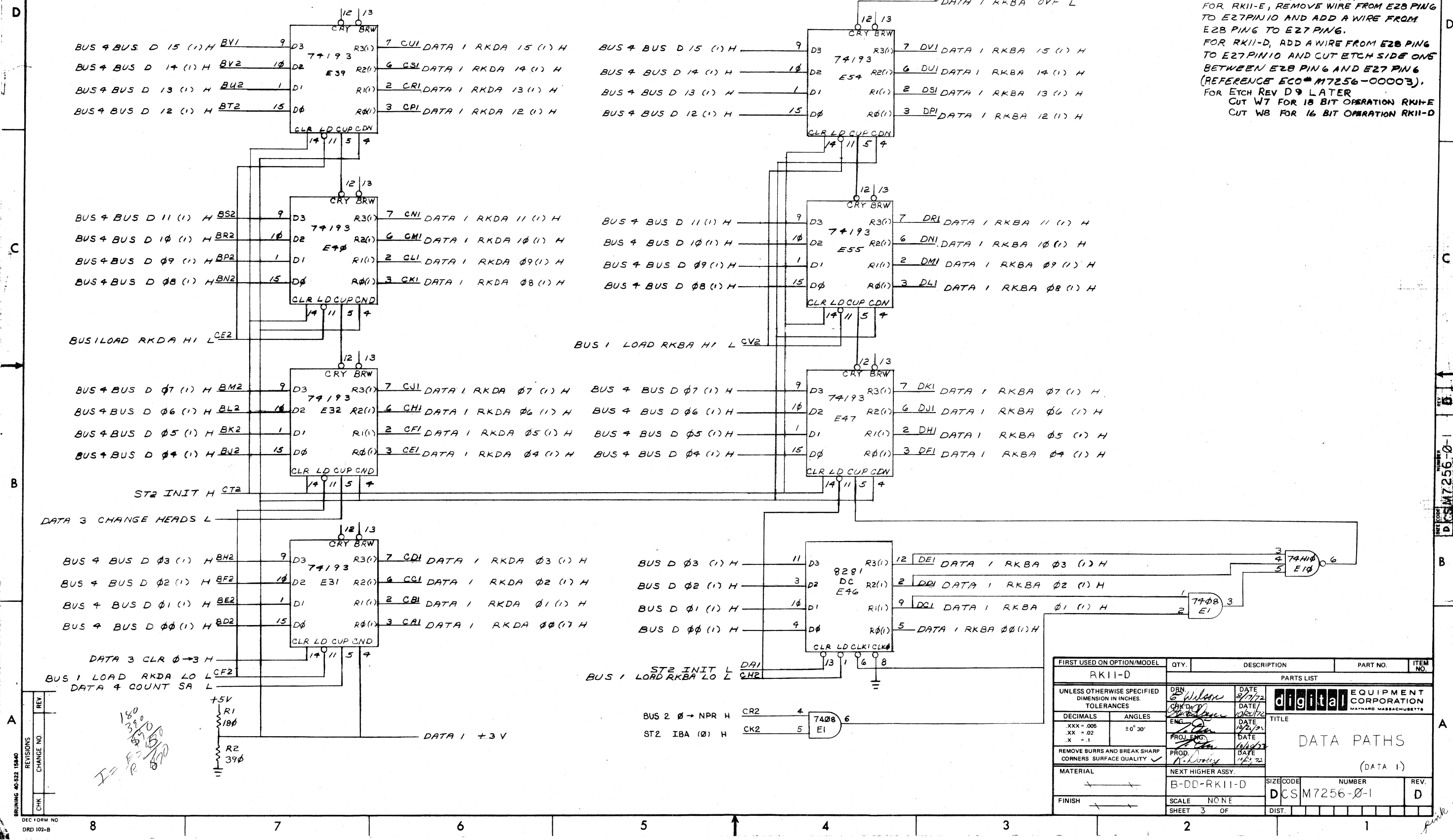
Engineering drawing header and footer including: FIRST USED ON OPTION MODEL, PARTS LIST, SEMICONDUCTOR CONVERSION CHART, and revision table.

CS M 7256-0-1

This drawing and specifications, herein, are the property of Digital Equipment Corporation and shall not be reproduced or copied or used in whole or in part as the basis for the manufacture or sale of items without written permission. COPYRIGHT © DIGITAL EQUIPMENT CORPORATION

Q 1-0-9921W 2

- NOTES:
- CUT W1 FOR 16 BIT OPERATION (RK11-D)  
CUT W2 FOR 18 BIT OPERATION (RK11-E)
  - CUT W3+W4 FOR 16 BIT OPERATION
  - CUT W5 FOR 18 BIT OPERATION  
CUT W6 FOR 16 BIT OPERATION
  - FOR ETCH REV C & EARLIER  
FOR RK11-E, REMOVE WIRE FROM E28 PIN6 TO E27 PIN10 AND ADD A WIRE FROM E28 PIN6 TO E27 PIN10  
FOR RK11-D, ADD A WIRE FROM E28 PIN6 TO E27 PIN10 AND CUT ETCH SIDE ONE BETWEEN E28 PIN6 AND E27 PIN6 (REFERENCE ECO # M7256-00003).  
FOR ETCH REV D & LATER  
CUT W7 FOR 18 BIT OPERATION (RK11-E)  
CUT W8 FOR 16 BIT OPERATION (RK11-D)



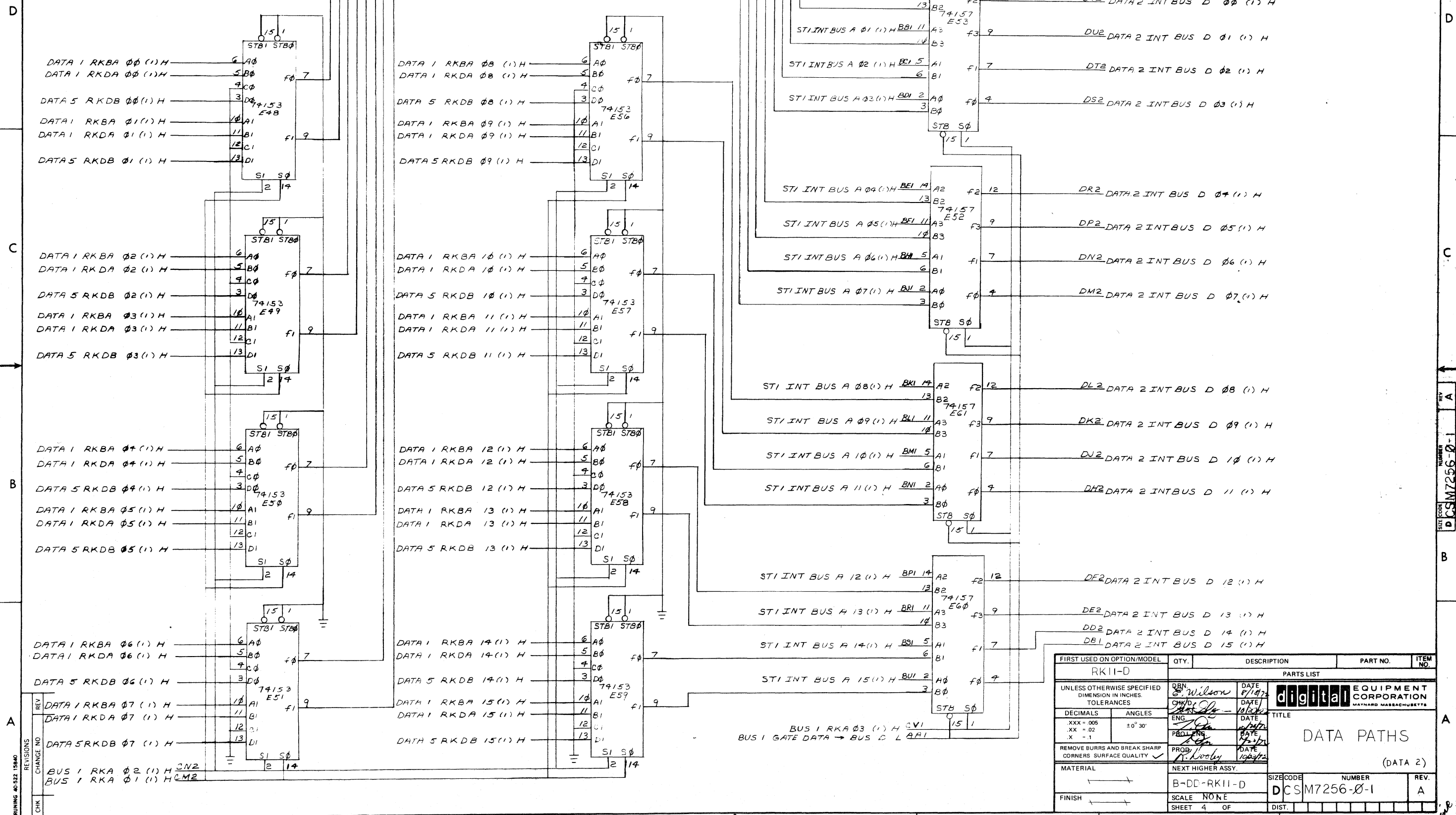
REV  
CHANGE NO  
CHK  
150  
320  
510  
510  
510

FIRST USED ON OPTION/MODEL	QTY.	DESCRIPTION	PART NO.	ITEM NO.
RK11-D				
PARTS LIST				
UNLESS OTHERWISE SPECIFIED DIMENSION IN INCHES. TOLERANCES		DNB 9/7/72	DATE	<b>digital</b> EQUIPMENT CORPORATION <small>MAYNARD MASSACHUSETTS</small>
DECIMALS	ANGLES	ENG 10/21/72	DATE	
.XXX = .005	±0°30'	PROJ. ENG. 11/20/72	DATE	
.XX = .02		PROD. 1/23/73	DATE	
REMOVE BURRS AND BREAK SHARP CORNERS. SURFACE QUALITY				
MATERIAL		NEXT HIGHER ASSY.		
		B-DD-RK11-D	SIZE CODE	NUMBER
FINISH		SCALE NONE	DCS M7256-0-1	
		SHEET 3 OF	DIST.	REV. D

REV. D  
M7256-0-1



This drawing and specifications, herein, are the property of Digital Equipment Corporation and shall not be reproduced or copied or used in whole or in part as the basis for the manufacture or sale of items without written permission. COPYRIGHT ©  
 DIGITAL EQUIPMENT CORPORATION



REV	CHANGE NO	DESCRIPTION
1		BUS 1 RKA φ2 (1) H CN2
2		BUS 1 RKA φ1 (1) H CN2

FIRST USED ON OPTION/MODEL	QTY.	DESCRIPTION	PART NO.	ITEM NO.
RK11-D				
PARTS LIST				
UNLESS OTHERWISE SPECIFIED DIMENSION IN INCHES. TOLERANCES		DRN <i>G. Wilson</i> DATE 8/1/72	<b>digital</b> EQUIPMENT CORPORATION MAYNARD MASSACHUSETTS	
DECIMALS .XXX = .005	ANGLES ±0° 30'	CHKD <i>[Signature]</i> DATE 10/15/72		
.XX = .02		ENG <i>[Signature]</i> DATE 10/15/72		
.X = .1		PROB <i>[Signature]</i> DATE 10/15/72		
REMOVE BURRS AND BREAK SHARP CORNERS SURFACE QUALITY		PROB <i>[Signature]</i> DATE 10/15/72	TITLE <b>DATA PATHS</b> (DATA 2)	
MATERIAL	NEXT HIGHER ASSY.	SIZE CODE	NUMBER	REV.
	B-DD-RK11-D	DCSM7256-0-1		A
FINISH	SCALE NONE	SHEET 4 OF		

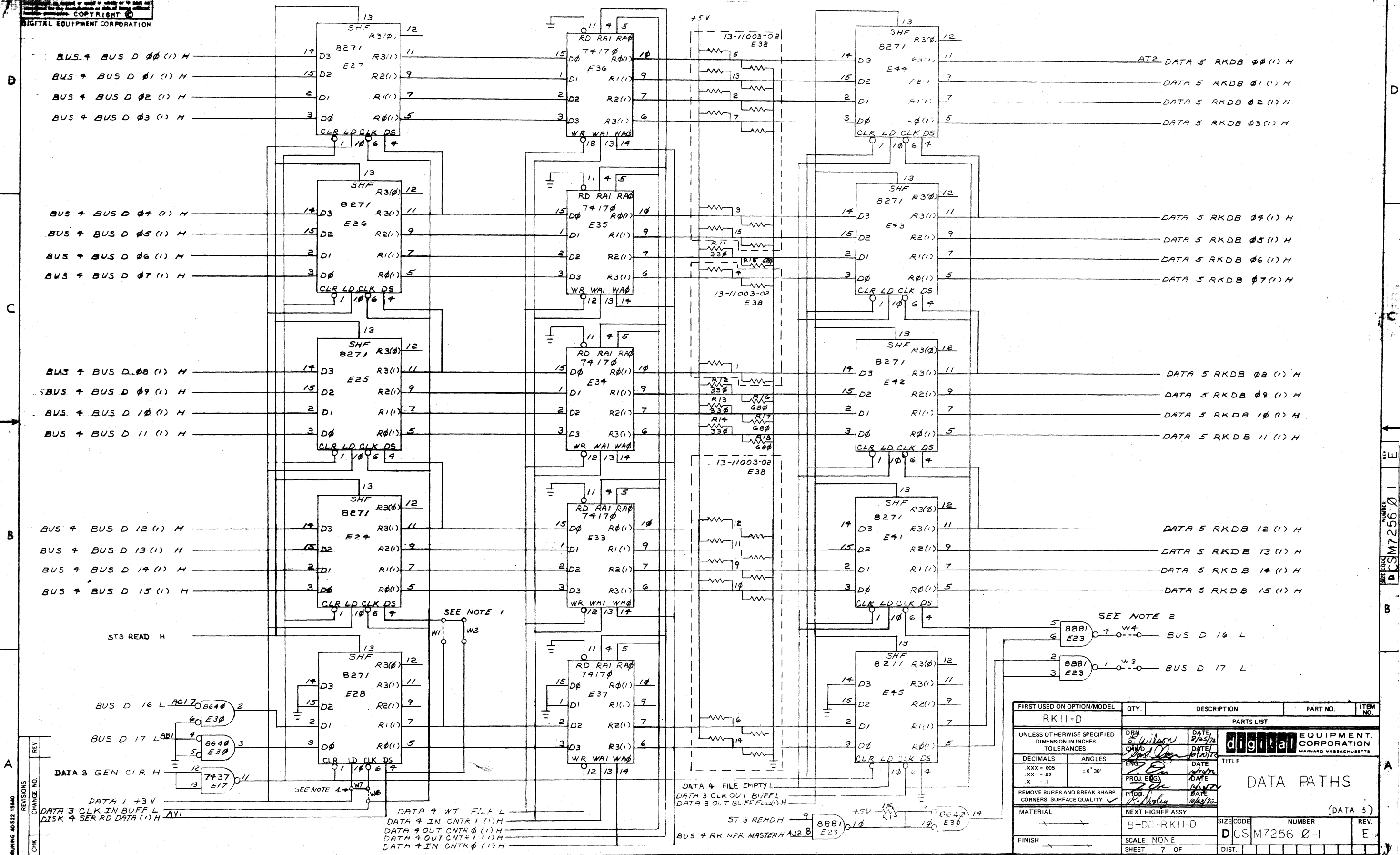
BRUNING 40-522 15840





DIGITAL EQUIPMENT CORPORATION  
 COPYRIGHT ©

CS M7256-0-1  
 SIZE CODE 2



REVISIONS


REV	CHANGE NO.

FIRST USED ON OPTION/MODEL	QTY.	DESCRIPTION	PART NO.	ITEM NO.									
RK11-D													
PARTS LIST													
UNLESS OTHERWISE SPECIFIED DIMENSION IN INCHES. TOLERANCES		<table border="1"> <tr> <td>DRN</td> <td>DATE</td> <td rowspan="4" style="text-align: center;"><b>digital</b> EQUIPMENT CORPORATION MAYNARD MASSACHUSETTS</td> </tr> <tr> <td>CHKD</td> <td>DATE</td> </tr> <tr> <td>ENG</td> <td>DATE</td> </tr> <tr> <td>PROJ. ENG.</td> <td>DATE</td> </tr> </table>			DRN	DATE	<b>digital</b> EQUIPMENT CORPORATION MAYNARD MASSACHUSETTS	CHKD	DATE	ENG	DATE	PROJ. ENG.	DATE
DRN	DATE	<b>digital</b> EQUIPMENT CORPORATION MAYNARD MASSACHUSETTS											
CHKD	DATE												
ENG	DATE												
PROJ. ENG.	DATE												
DECIMALS	ANGLES	TITLE											
.XXX - .005	± 0° 30'	DATA PATHS											
.XX - .02													
.X - .1		MATERIAL											
REMOVE BURRS AND BREAK SHARP CORNERS SURFACE QUALITY		NEXT HIGHER ASSY.											
		B-DC-RK11-D		(DATA 5)									
FINISH		SCALE NONE	SIZE CODE	NUMBER									
		SHEET 7 OF	DCS M7256-0-1	REV. E									

REF. FORM NO. DCS M7256-0-1

PAGE REVISION CONTROL SHEET

SH NO.	PAGE REVISIONS													REMARKS
	A	B	C	D	E	F	H	J	K	L	M	N	P	
1	A	B	C	D	E	F	H	J	K	L	M	N	P	(BUS 1) (BUS 2) (BUS 3) (BUS 4)
2	A	B	C	C	D	E	E	F	H	J	K	L	M	
3	A	A	B	B	B	B	B	C	C	D	E	E	E	
4	A	A	A	A	A	B	B	B	B	C	C	D	E	
5	A	B	B	C	D	D	D	D	E	F	H	H	H	
6	A	A	A	A	A	A	A	B	B	C	D	D	D	
ECO NO.														
ETCH REV.	B	B	B	B	B	B	B	B	B	C	C	C	C	
ENG.		7.8	7.0	7.0	7.8	7.8	7.8	REC	REC	REC	REC	REC	REC	
DATE		12-15-72	2-6-73	5-23-73	11-13-73	1/9/74	2/11/74	8-6-74	10/24/74	10/29/74	7/16/75	12/1/75	14 JUL 76	
														FIRST USED ON OPTION/MODEL RKII-D

<p>DRN. <i>[Signature]</i></p> <p>CHK'D. <i>[Signature]</i></p> <p>ENG. <i>[Signature]</i></p> <p>PROJ. ENG. <i>[Signature]</i></p> <p>PROD. <i>[Signature]</i></p>	DATE	 <p>EQUIPMENT CORPORATION MAYNARD MASSACHUSETTS</p>		
	DATE			
	DATE			
	DATE			
	DATE			
TITLE		<p>BUS CONTROL</p> <p>(RKII-D)</p>		
NEXT HIGHER ASSY.				
SIZE	CODE		NUMBER	REV.
B	CS		M7257-0-1	P
SCALE <i>[Signature]</i>		DIST.		
SHEET 1 OF 6				

"THIS DRAWING AND SPECIFICATIONS, HEREIN, ARE THE PROPERTY OF DIGITAL EQUIPMENT CORPORATION AND SHALL NOT BE REPRODUCED OR COPIED OR USED IN WHOLE OR IN PART AS THE BASIS FOR THE MANUFACTURE OR SALE OF ITEMS WITHOUT WRITTEN PERMISSION.  
COPYRIGHT © DIGITAL EQUIPMENT CORPORATION"

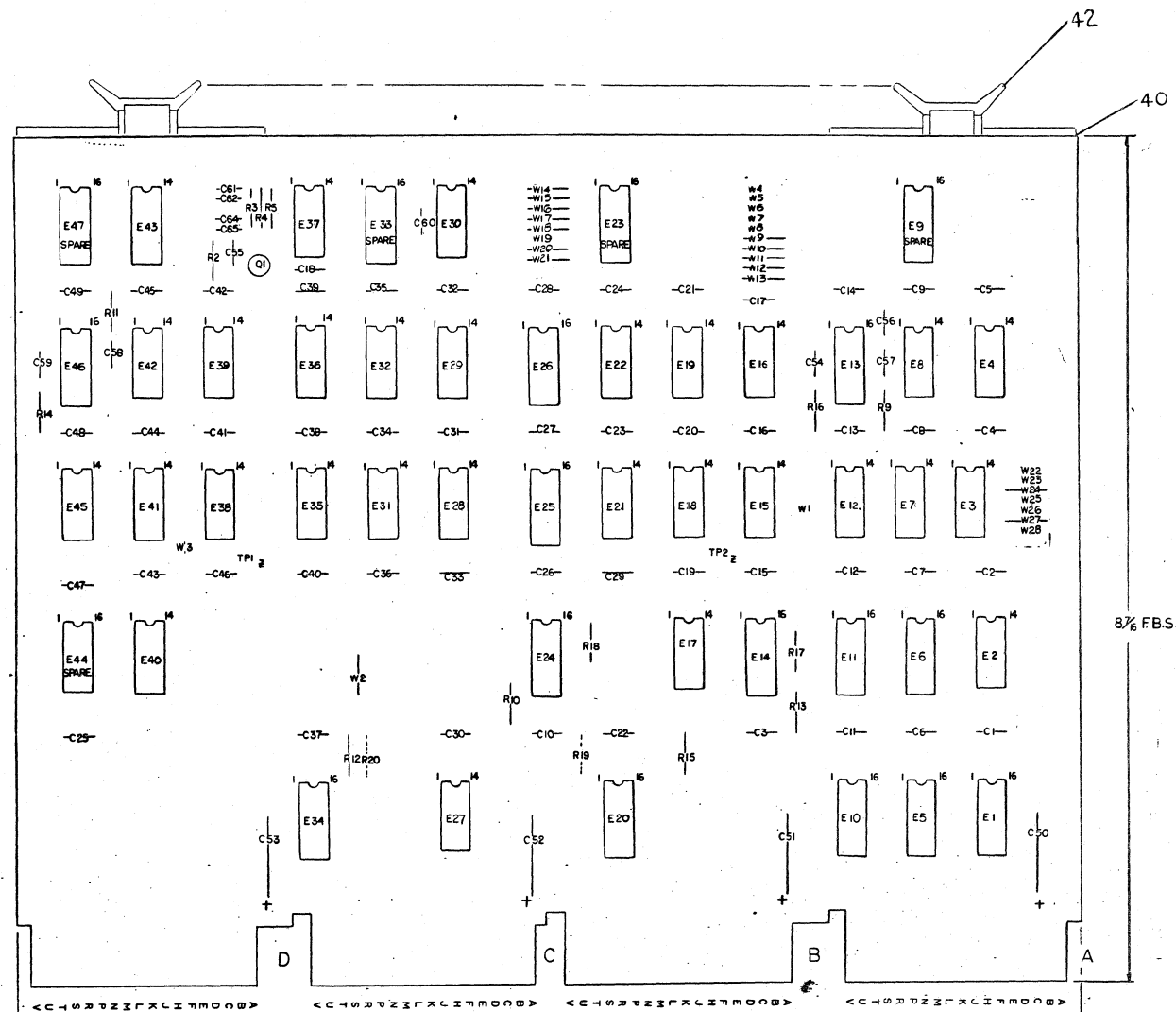
*[Handwritten mark]*

"THIS DRAWING AND SPECIFICATIONS, HEREIN, ARE THE PROPERTY OF DIGITAL EQUIPMENT CORPORATION AND SHALL NOT BE REPRODUCED OR COPIED OR USED IN WHOLE OR IN PART AS THE BASIS FOR THE MANUFACTURE OR SALE OF ITEMS WITHOUT WRITTEN PERMISSION. COPYRIGHT © 1973 DIGITAL EQUIPMENT CORPORATION"

NOTES: 1. R19 AND R20 ARE OPTIONAL COMPONENTS  
DO NOT INSERT

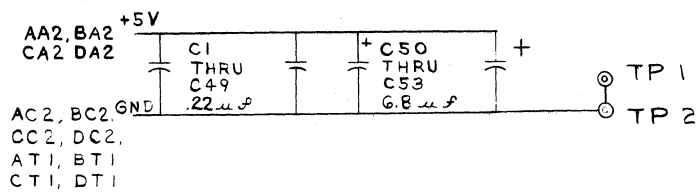
2. W1, W3 THRU W8, W19, W22, W23, W25, W26  
W28, ARE OPTIONAL JUMPERS. DO NOT INSERT.

\* IF 8641'S ARE NOT AVAILABLE, USE  
2838'S, PART NO. 191117-00.



PIN NOMENCLATURE

MODULE D C B A  
RK11-D F E D C



IC TYPE	GND	+5V
I.C. DEC 8640	1	8
I.C. DEC 74H103	11	4
I.C. DEC 314	1	8
I.C. DEC 7442	8	16
I.C. DEC 74123	8	16
I.C. DEC 74151	8	16
IC PIN LOCATIONS		

GND AND 5V ARE USUALLY PIN 7 AND 14  
RESPECTIVELY. EXCEPTIONS ARE STATED ABOVE

REF	DESCRIPTION	PART NO.	ITEM NO.
REF	X-Y COORDINATE HOLE LOC.	K-CO-M7257-0-4	1
REF	ASSY/DRILLING HOLE LAYOUT	D-AH-M7257-05	2
REF	MODULE ECO HISTORY	B-MH-M7257-06	3
1	ETCHED CIRCUIT BOARD	5009990	4
2	C53, C59	CAP 10 MMF 100V 5%	5
1	C54	CAP 270 MMF 100V 5%	6
2	C57, C60	CAP 330 MMF 100V 5%	7
1	C56	CAP 1200 MMF 100V 5%	8
49	C1 THRU C49	CAP .22 MF 50V 20%	9
4	C50 THRU C53	CAP 6.8 MFD 35V 10% TANT	10
4	C61, C62, C64, C65	CAP 6.8 MMF 100V 5%	11
1	C55	CAP 27 MMF 100V 5%	12
1	Q1	TRANS DEC 3009B	13
3	R2, R3, R4,	RES. 330 1/4 W 5%	14
2	R10, R13	RES. 390 1/4 W 5%	15
1	R5	RES. 287 1/8 W 1%	16
4	R12, R15, R17, R18	RES. 180 1/4 W 5%	17
1	R16	RES. 5.6K 1/4 W 5%	18
1	R9	RES. 4.7K 1/4 W 5%	19
2	R11, R14	RES. 5.1K 1/8 W 1%	20
2	E16, E30	RES. 1K RESISTOR PACK	21
1	E19	I.C. 74H20	23
2	E22, E38	I.C. 7402	24
3	E18, E31, E37	I.C. 74H00	25
4	E40, E41, E42, E35	I.C. 74H74	26
1	E2	I.C. 314	27
4	E3, E4, E8, E27	I.C. 8881	28
3	E7, E12, E15	I.C. 8242	29
1	E21	I.C. 74H04	30
1	E26	I.C. 74151	31
2	E24, E25	I.C. 7442	32
1	E28	I.C. 7437	33
3	E36, E39, E45	I.C. 7408	34
3	E29, E32, E43	I.C. 74H103	35
2	E13, E46	I.C. 74123	36
1	E17	I.C. 8640	37
* 8	E1, E5, E6, E19, E14, E20, E34	I.C. 8641	38
15	W2, W9 THRU W18, W20, W21, W24, W27	INSULATED JUMPER	39
8		EYELET	40
2	TP1, TP2	SOLDER TERMINALS	41
4		HANDLE (FLIPCHIP) MAGENTA	42

QTY	REF DESIGNATION	DESCRIPTION	PART NO.	ITEM NO.

FIRST USED ON OPTION MODEL  
RK11-D

ETCH BOARD REV C

REVISIONS

DRN. DATE 10/19/73  
CHK'D DATE 10/19/73  
ENG. DATE 11-18-74  
PROJ. ENG. DATE 11/14/74  
PROD. DATE

digital EQUIPMENT CORPORATION  
MAYNARD, MASSACHUSETTS

TITLE  
BUS CONTROL  
RK11-D

NEXT HIGHER ASSY  
B-DD-RK11-D

SCALE NONE

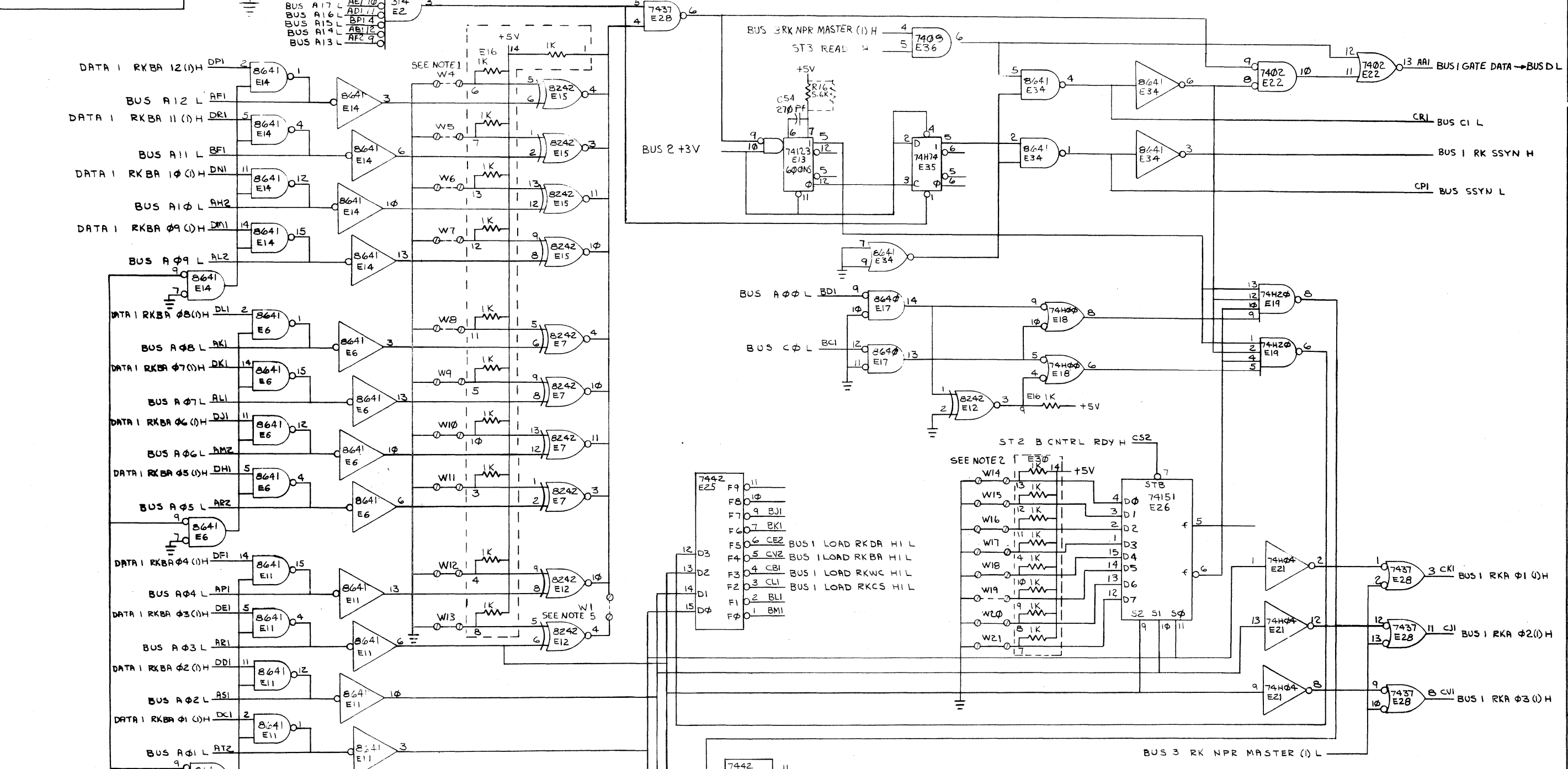
SEMICONDUCTOR CONVERSION CHART

SHEET OF 6

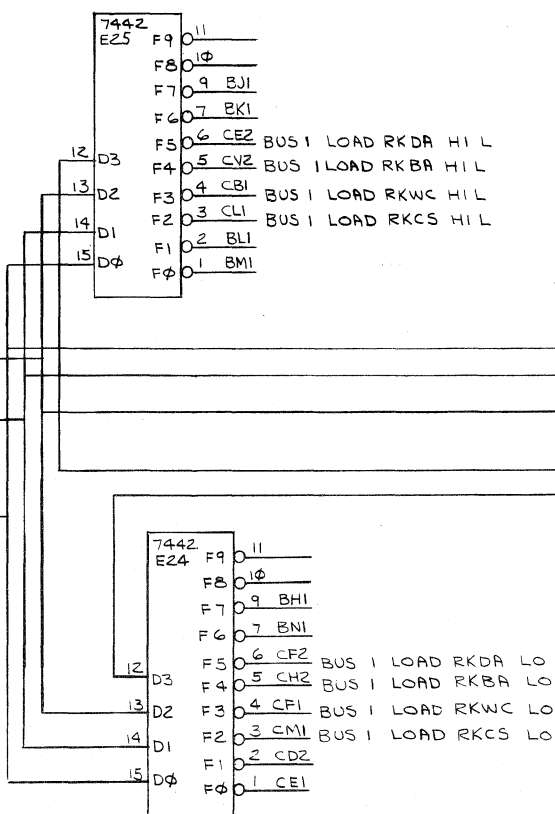
SIZE CODE DCS NUMBER M7257-0-1 REV. M

DCS M7257-0-1

THIS DRAWING AND SPECIFICATIONS HEREIN ARE THE PROPERTY OF DIGITAL EQUIPMENT CORPORATION AND SHALL NOT BE REPRODUCED OR COPIED OR USED IN WHOLE OR IN PART AS THE BASIS FOR THE MANUFACTURE OR SALE OF ITEMS WITHOUT WRITTEN PERMISSION. COPYRIGHT © 1973 DIGITAL EQUIPMENT CORPORATION.



- NOTE:
1. CUT JUMPER FOR ONE. FOR NORMAL RK11 OPERATION CUT JUMPERS W4, W5, W6, W1, W8.
  2. CUT JUMPER TO INHIBIT STROBE IF BUSY. FOR NORMAL RK11 OPERATION CUT JUMPER W19.
  3. FOR NORMAL OPERATION CUT JUMPER W3. IN 11/15 OR 11/20 SYSTEMS WITHOUT KH-11 OPTION CUT JUMPER W...
  4. CUT JUMPER FOR ZERO. FOR NORMAL RK11 OPERATION CUT JUMPERS W22, W23, W25, W26, W28.
  5. FOR NORMAL OPERATION CUT JUMPER W1. FOR APPLICATIONS REQUIRING 4 ADDRESS RECOGNITION INSTALL W1.



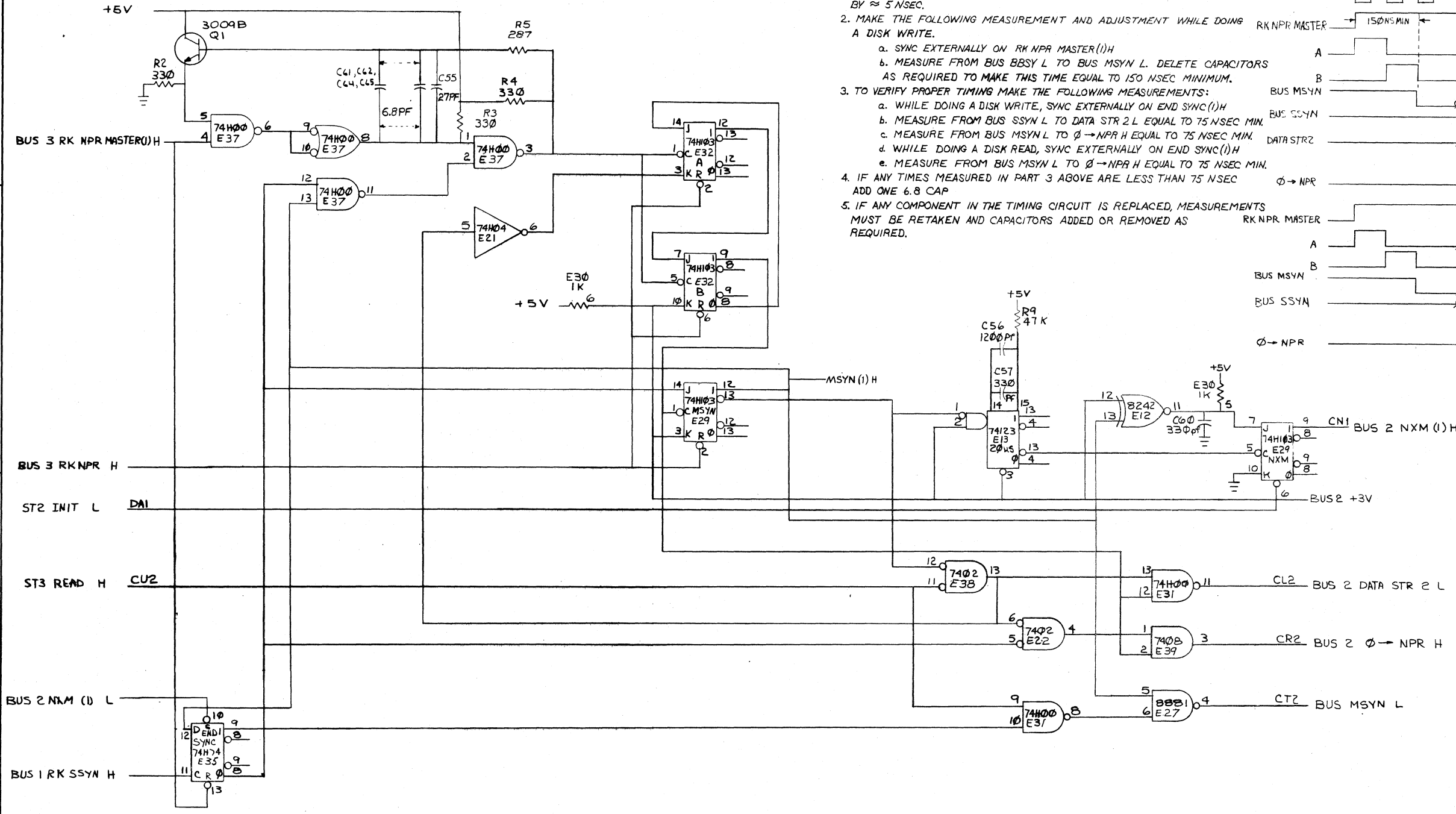
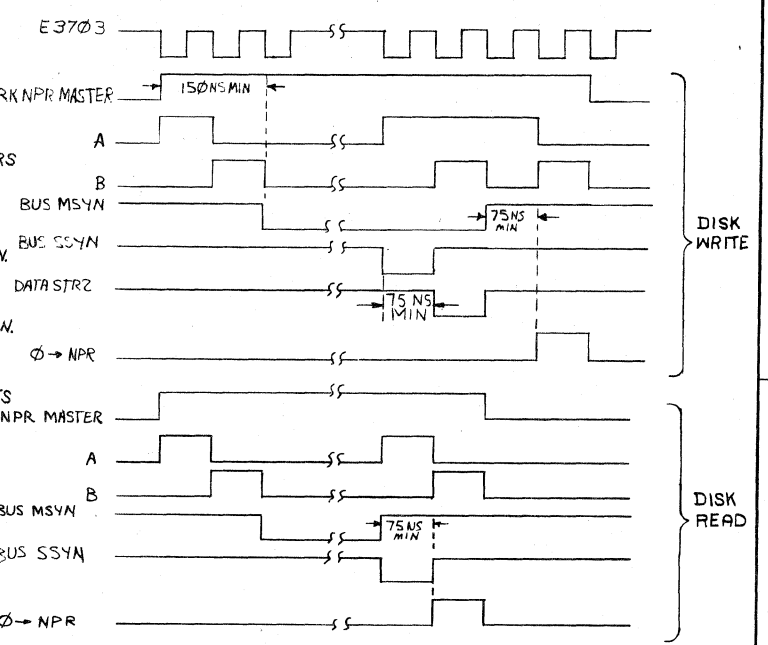
FIRST USED ON OPTION/MODEL	QTY.	DESCRIPTION	PART NO.	ITEM NO.
RK11-D				
UNLESS OTHERWISE SPECIFIED DIMENSION IN INCHES		DRN. <i>K. Davis</i>	DATE 7-18-73	PARTS LIST
TOLERANCES		CHK'D. <i>[Signature]</i>	DATE	
DECIMALS .xxx = .005	ANGLES 0 30'	ENG. <i>[Signature]</i>	DATE 11-18-74	TITLE
REMOVE BURRS AND BREAK SHARP CORNERS SURFACE QUALITY 1		PROJ. ENG. <i>[Signature]</i>	DATE	
MATERIAL		PROD.	DATE	BUS CONTROL (BUS 1)
NEXT HIGHER ASSY.				
FINISH		SCALE		SIZE CODE
SHEET 3 OF 6		DIST.		NUMBER DCSM7257-0-1
				REV. E

REV. 10/73  
DATE 11-18-74

DCSM7257-0-1

THIS DRAWING AND SPECIFICATIONS, HEREIN, ARE THE PROPERTY OF DIGITAL EQUIPMENT CORPORATION AND SHALL NOT BE REPRODUCED OR COPIED OR USED IN WHOLE OR IN PART AS THE BASIS FOR THE MANUFACTURE OR SALE OF ITEMS WITHOUT WRITTEN PERMISSION. COPYRIGHT © 1973, DIGITAL EQUIPMENT CORPORATION.

SET UP UNIBUS TIMING AS FOLLOWS:  
 1. TIMING ADJUSTMENTS ARE MADE BY REMOVING CAPACITORS C61 THRU C65 AS REQUIRED. WITH C61 THRU C65 ALL INSTALLED THE OUTPUT AT E3703 HAS A PERIOD OF  $\approx 88$  NSEC. REMOVAL OF EACH CAP DECREASES THIS BY  $\approx 5$  NSEC.  
 2. MAKE THE FOLLOWING MEASUREMENT AND ADJUSTMENT WHILE DOING A DISK WRITE.  
 a. SYNC EXTERNALLY ON RK NPR MASTER(I)H  
 b. MEASURE FROM BUS BBSY L TO BUS MSYN L. DELETE CAPACITORS AS REQUIRED TO MAKE THIS TIME EQUAL TO 150 NSEC MINIMUM.  
 3. TO VERIFY PROPER TIMING MAKE THE FOLLOWING MEASUREMENTS:  
 a. WHILE DOING A DISK WRITE, SYNC EXTERNALLY ON END SYNC(I)H  
 b. MEASURE FROM BUS SSYN L TO DATA STR 2 L EQUAL TO 75 NSEC MIN.  
 c. MEASURE FROM BUS MSYN L TO  $\emptyset \rightarrow$  NPR H EQUAL TO 75 NSEC MIN.  
 d. WHILE DOING A DISK READ, SYNC EXTERNALLY ON END SYNC(I)H  
 e. MEASURE FROM BUS MSYN L TO  $\emptyset \rightarrow$  NPR H EQUAL TO 75 NSEC MIN.  
 4. IF ANY TIMES MEASURED IN PART 3 ABOVE ARE LESS THAN 75 NSEC ADD ONE 6.8 CAP  
 5. IF ANY COMPONENT IN THE TIMING CIRCUIT IS REPLACED, MEASUREMENTS MUST BE RETAKEN AND CAPACITORS ADDED OR REMOVED AS REQUIRED.

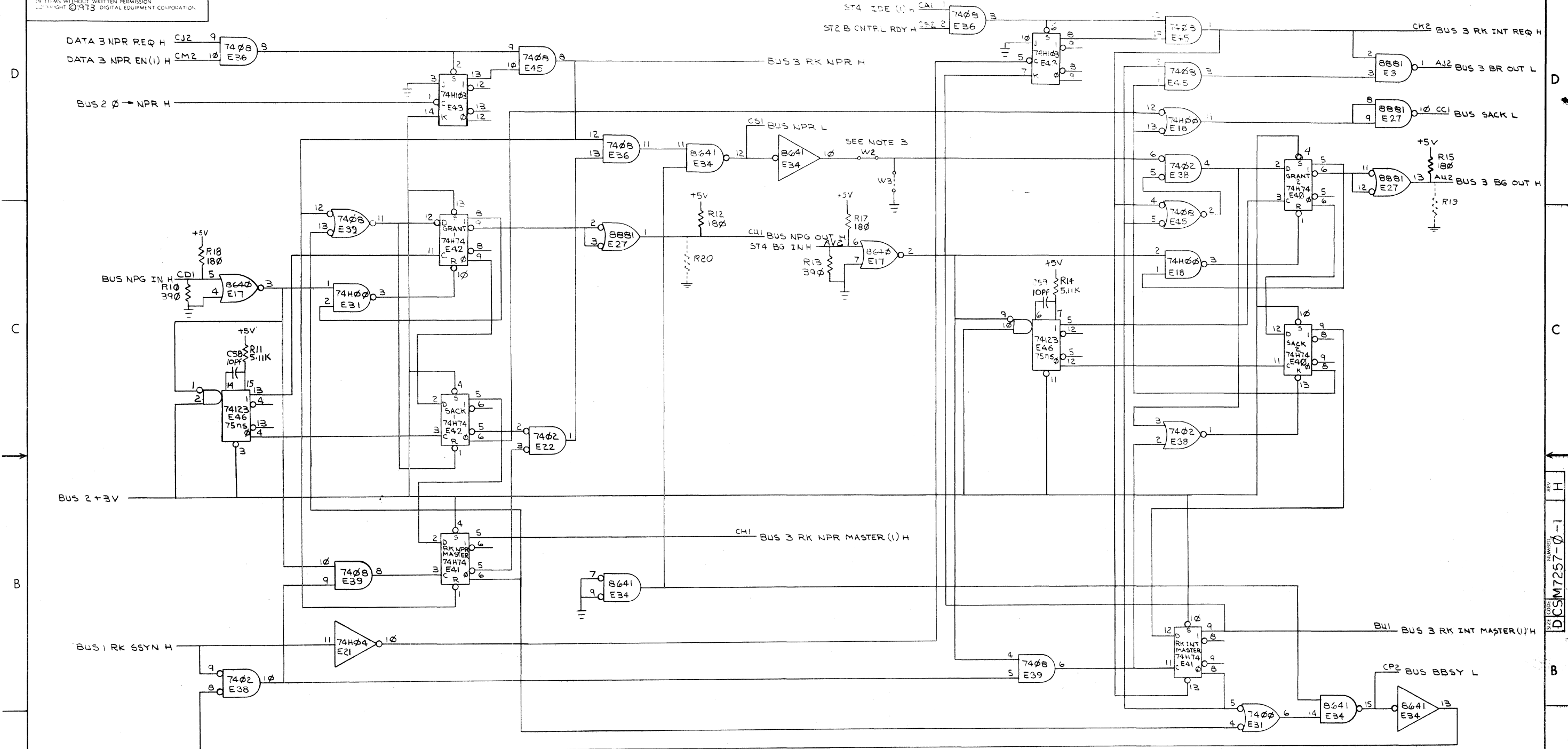


FIRST USED ON OPTION/MODEL	QTY.	DESCRIPTION	PART NO.	ITEM NO.
RK11-D				
UNLESS OTHERWISE SPECIFIED DIMENSION IN INCHES				
TOLERANCES				
DECIMALS	ANGLES	DATE 7/10/73		
.xxx = .005	'0' '30'	CHKD	DATE 7/10/73	<b>digital</b> EQUIPMENT CORPORATION MAYNARD, MASSACHUSETTS
.xx = .02		ENGR	DATE 11-18-74	
.x = .1		PROB ENG	DATE 1/27/75	
		PROD.	DATE	
REMOVE BURRS AND BREAK SHARP CORNERS SURFACE QUALITY Y				
MATERIAL				
NEXT HIGHER ASSY.				
FINISH				
TITLE		REV.		
BUS CONTROL (BUS 2)		E		
MATERIAL		SIZE CODE	NUMBER	REV.
B-DD-RK11-D		DCS	M7257-0-1	E
SCALE		DIST.		
SHEET 4 OF 6				

REV	CHANGE NO



THIS DRAWING AND SPECIFICATIONS HEREIN ARE THE PROPERTY OF DIGITAL EQUIPMENT CORPORATION AND SHALL NOT BE REPRODUCED OR COPIED OR USED IN WHOLE OR IN PART AS THE BASIS FOR THE MANUFACTURE OR SALE OF ITEMS WITHOUT WRITTEN PERMISSION. COPYRIGHT © 1973 DIGITAL EQUIPMENT CORPORATION.



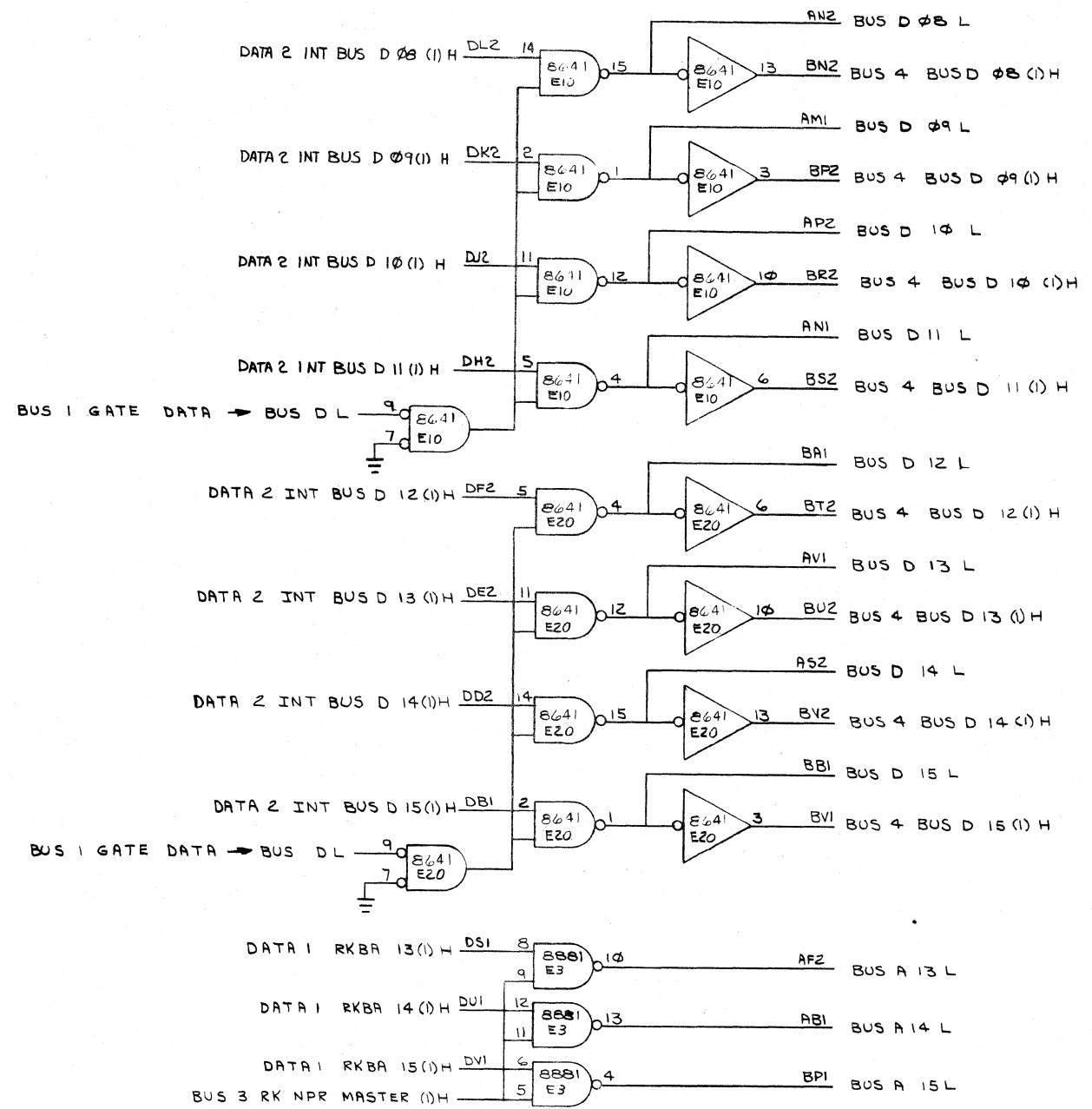
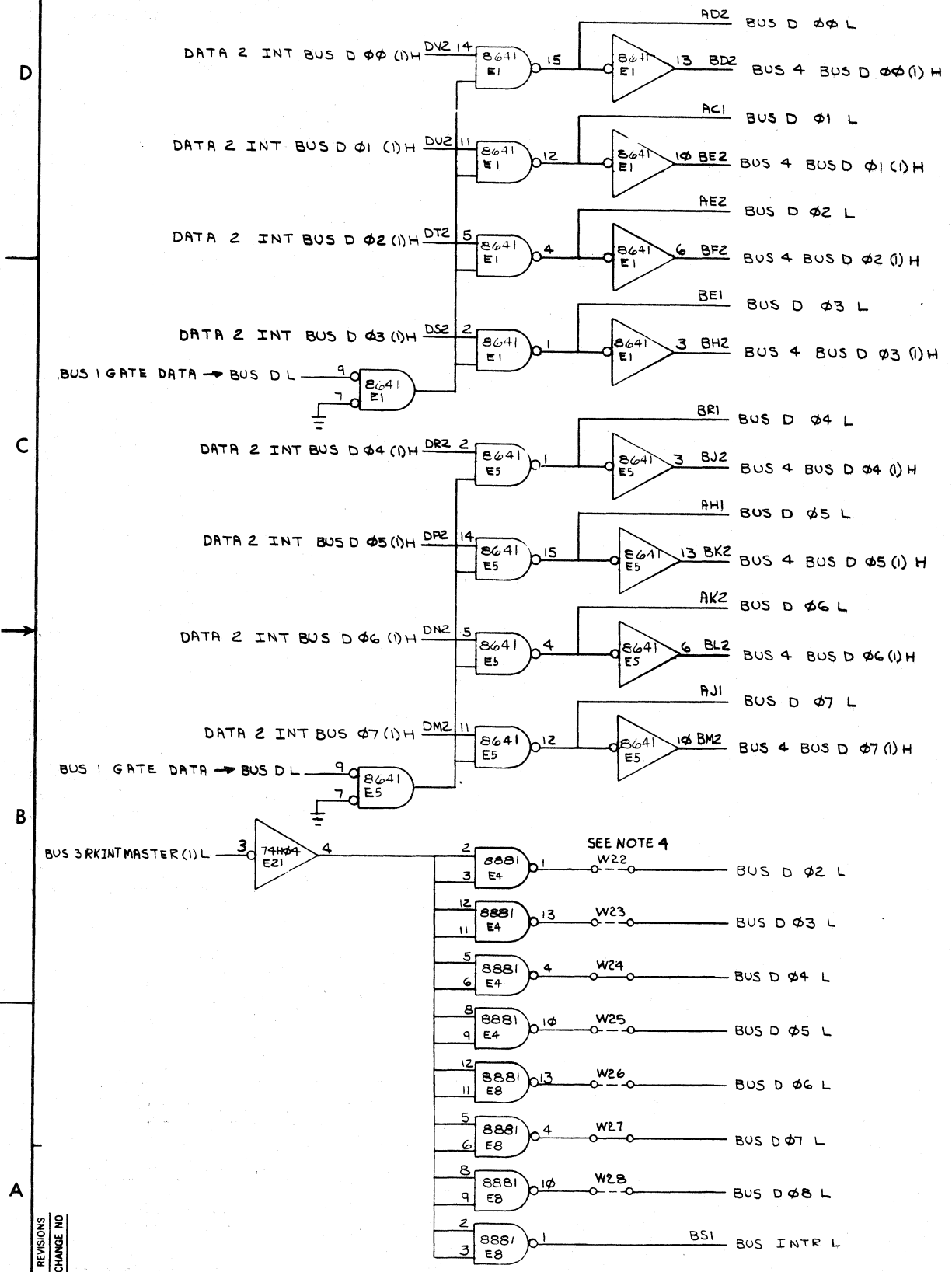
8	7	6	5	4	3	2	1
---	---	---	---	---	---	---	---

DCS M7257-0-1

FIRST USED ON OPTION/MODEL	QTY.	DESCRIPTION	PART NO.	ITEM NO.
RK1-D				
PARTS LIST				
UNLESS OTHERWISE SPECIFIED DIMENSION IN INCHES	DRN <i>[Signature]</i>	DATE 7/27/73	 <b>digital</b> EQUIPMENT CORPORATION <small>MAYNARD MASSACHUSETTS</small>	
TOLERANCES	CHK'D <i>[Signature]</i>	DATE 7/27/73		
DECIMALS	ENG. <i>[Signature]</i>	DATE 11-13-74		
ANGLES	PROJ. ENG. <i>[Signature]</i>	DATE 1/7/77		
.xxx = .005		0 30'	TITLE <b>BUS CONTROL</b> (BUS 3)	
.xx = .02				
.x = .1			MATERIAL NEXT HIGHER ASSY. B-DD-RK1-D	
REMOVE BURRS AND BREAK SHARP CORNERS SURFACE QUALITY 1				
FINISH	SCALE	SHEET 5 OF 6	SIZE CODE DCS M7257-0-1	NUMBER 1
			DIST.	REV. F

This drawing and specifications herein are the property of Digital Equipment Corporation and shall not be reproduced or copied or used in whole or in part as the basis for the manufacture or sale of items without written permission. COPYRIGHT © 1973 DIGITAL EQUIPMENT CORPORATION

1-07257W SCS 2



REVISIONS  
 CHANGE NO.  
 CHK

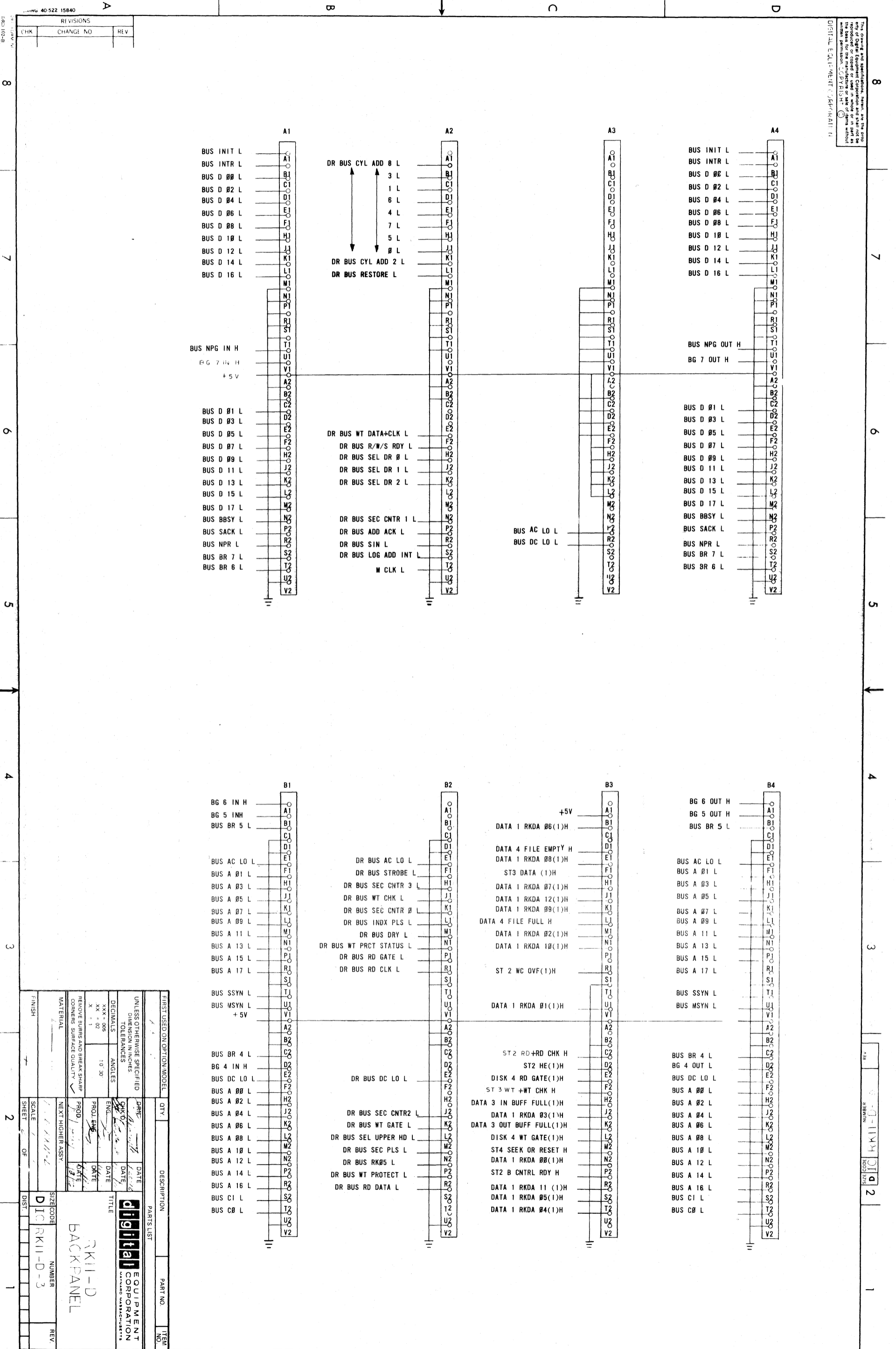
DEC FORM NO. DRD 102A

NEXT HIGHER ASSY	QTY.	DESCRIPTION	PART NO.	ITEM NO.
RK11 D				
PARTS LIST				
UNLESS OTHERWISE SPECIFIED				
DRN.	DATE	 digital CORPORATION MAYNARD, MASSACHUSETTS		
CHKD.	DATE			
ENG.	DATE			
PROJ. ENG.	DATE			
TITLE				
BUS CONTROL				
(BUS 4)				
MATERIAL		FIRST USED ON	SIZE CODE	NUMBER
		B-DD-RK11-D-0	D	M7257-0-1
FINISH		SCALE	SHEET	REV.
		2 OF 6		D

REV. D  
 NUMBER  
 M7257-0-1  
 SIZE CODE  
 DCS



This drawing and specification remain the property of Digital Equipment Corporation and shall not be reproduced or copied in whole or in part without the written permission of Digital Equipment Corporation.



FIRST USED ON OPTION MODEL		PARTS LIST		PART NO.		ITEM NO.	
UNLESS OTHERWISE SPECIFIED DIMENSION IN INCHES TOLERANCES		DATE		DATE		DATE	
DECIMALS	ANGLES	CHK'D	DATE	DATE	DATE	DATE	DATE
XX - .005	±0°30'	ENG.	DATE	DATE	DATE	DATE	DATE
X - .010		PROL. ENG.	DATE	DATE	DATE	DATE	DATE
		REMOVE BURNS AND BREAK SHARP CORNERS SURFACE QUALITY	DATE	DATE	DATE	DATE	DATE
MATERIAL		NEXT HIGHER ASSY.		SIZE CODE		NUMBER	
				D10		RKII-D-3	
FINISH		SCALE		SHEET		OF	
				2		1	

REV. NUMBER D10-2

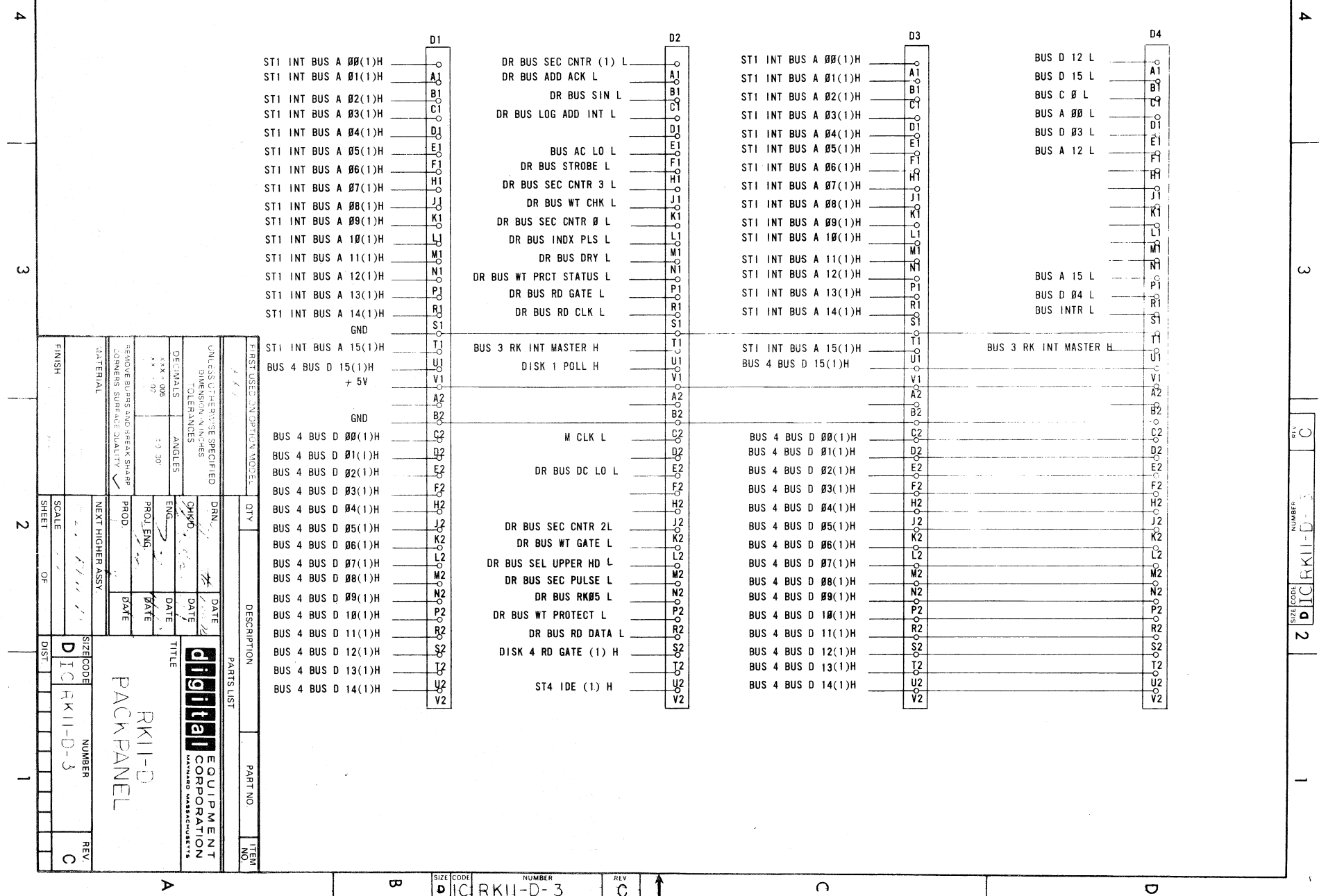
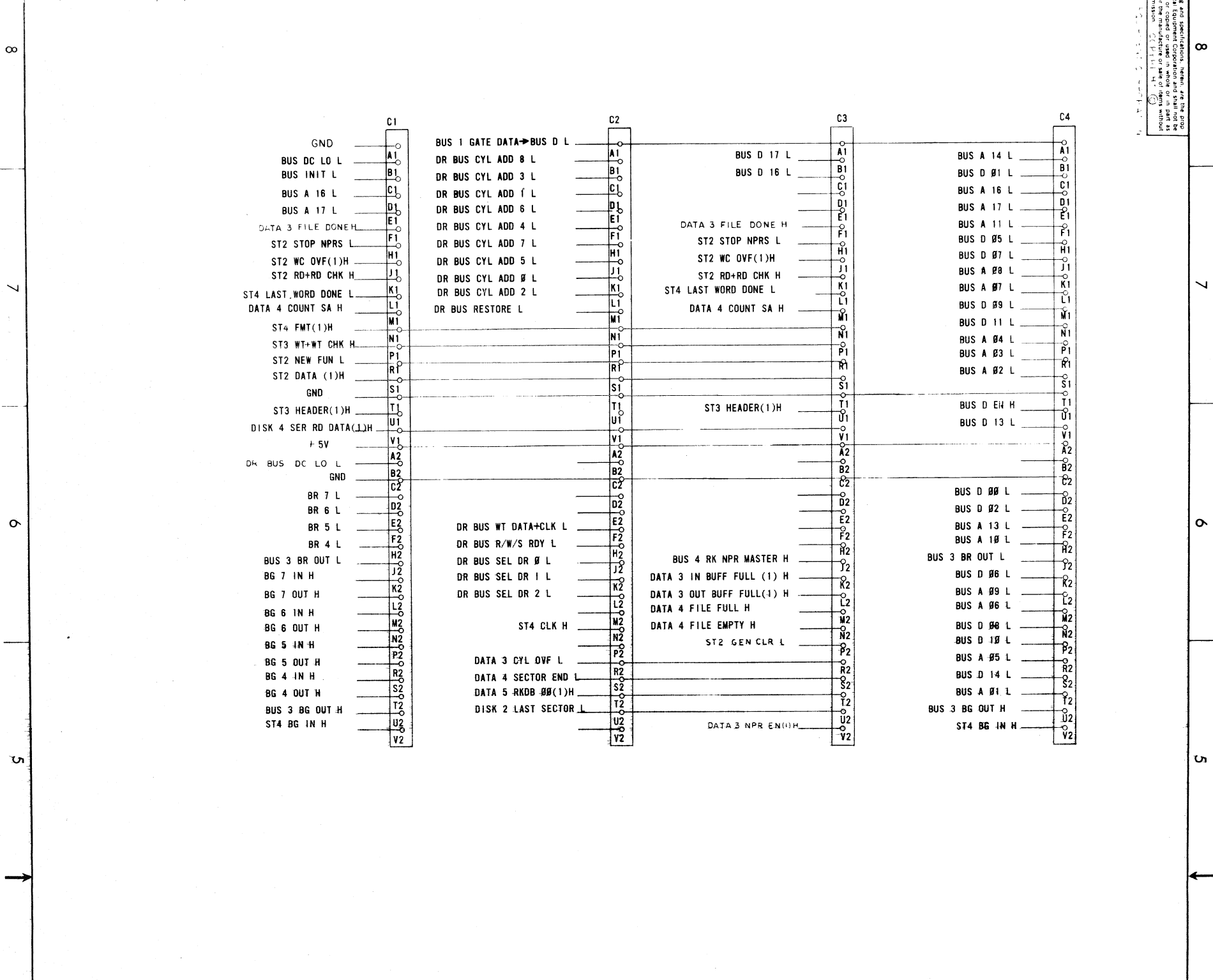
SIZE CODE NUMBER REV D10 CRKII-D-3

This drawing and specifications, herein, are the property of Digital Equipment Corporation and shall not be reproduced or copied in whole or in part without the written permission of Digital Equipment Corporation.

17-00000-01

BRUNING 40 522 15840

REV	DATE	BY	CHK



UNLESS OTHERWISE SPECIFIED	DRN	DATE
DIMENSIONS	CHKD	DATE
TOLERANCES	ENG	DATE
DETAILS	XXX - 006	DATE
ANGLES	1:1	DATE
PROL ENG	PROL ENG	DATE
REMOVE BURRS AND BREAK SHARP CORNERS SURFACE QUALITY	PROD	DATE
NEXT HIGHER ASSY		
TITLE	SIZE CODE	NUMBER
Digital EQUIPMENT CORPORATION	DIC	RK11-D-3
REVISION	SCALE	REV
FINISH	SHEET	C
OF		

DESCRIPTION	QTY	PART NO.	ITEM NO.

DESCRIPTION	QTY	PART NO.	ITEM NO.

DESCRIPTION	QTY	PART NO.	ITEM NO.

DESCRIPTION	QTY	PART NO.	ITEM NO.

DESCRIPTION	QTY	PART NO.	ITEM NO.

DESCRIPTION	QTY	PART NO.	ITEM NO.

DIC RK11-D-3

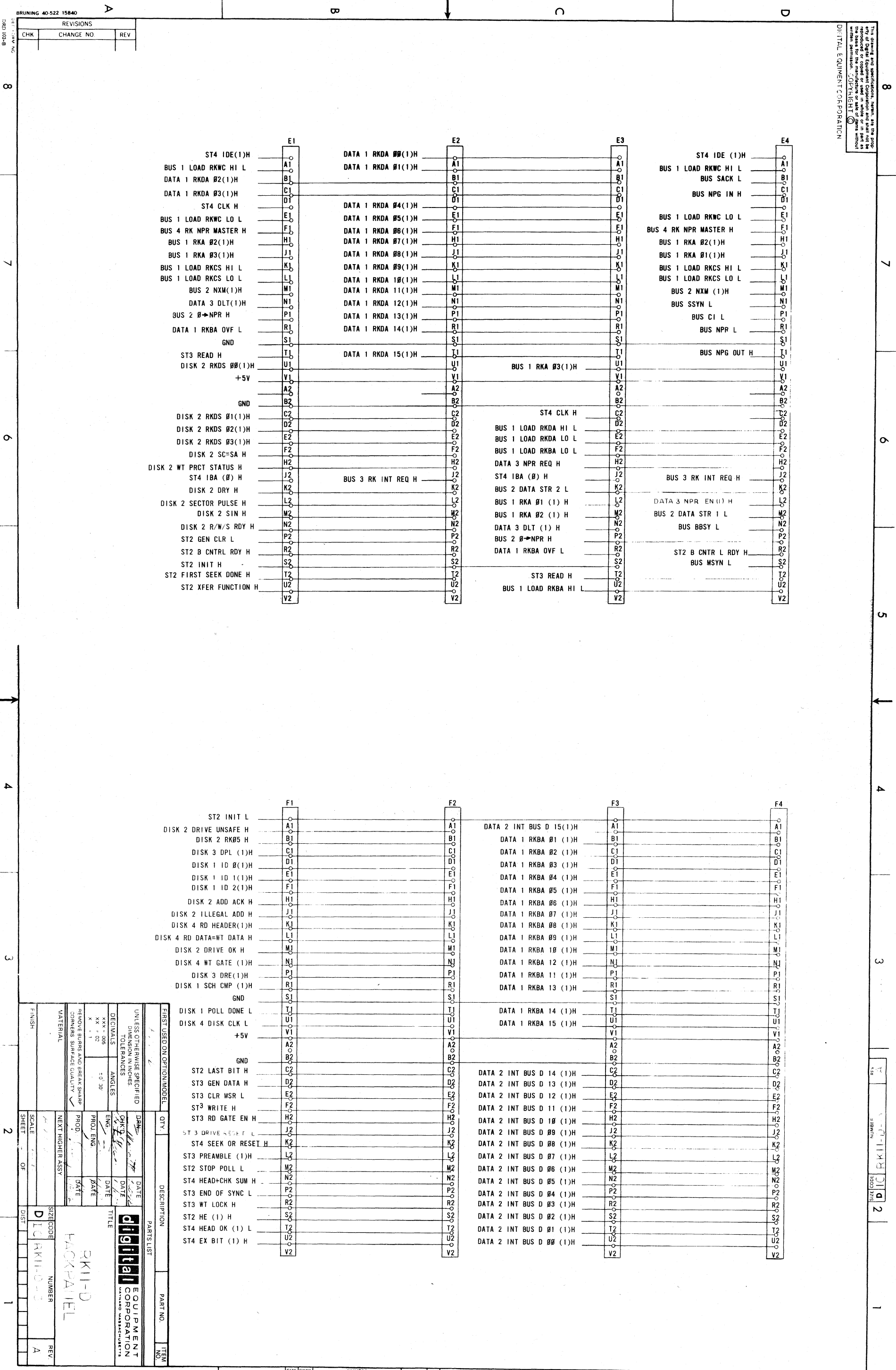
2

SIZE CODE NUMBER REV  
DIC RK11-D-3 C

This drawing and specifications herein are the property of Digital Equipment Corporation and shall not be reproduced or copied in whole or in part as they may appear in any form without the written permission of Digital Equipment Corporation.

DIGITAL EQUIPMENT CORPORATION

REV. A  
 NUMBER 1  
 PART NO. RK11-D-2  
 SHEET 2



REVISIONS		
CHK	CHANGE NO	REV

FIRST USED ON OPTION/MODEL		QTY	DESCRIPTION	PART NO.	ITEM NO.

UNLESS OTHERWISE SPECIFIED		DIMENSIONS		TOLERANCES	
DECIMALS	ANGLES	FINISH	SCALE	SHEET	OF
XXX - 005	± 0° 30'				

PARTS LIST		DATE	DATE	DATE
DATE	DESCRIPTION	DATE	DATE	DATE

TITLE		DATE	DATE	DATE
DATE	DESCRIPTION	DATE	DATE	DATE

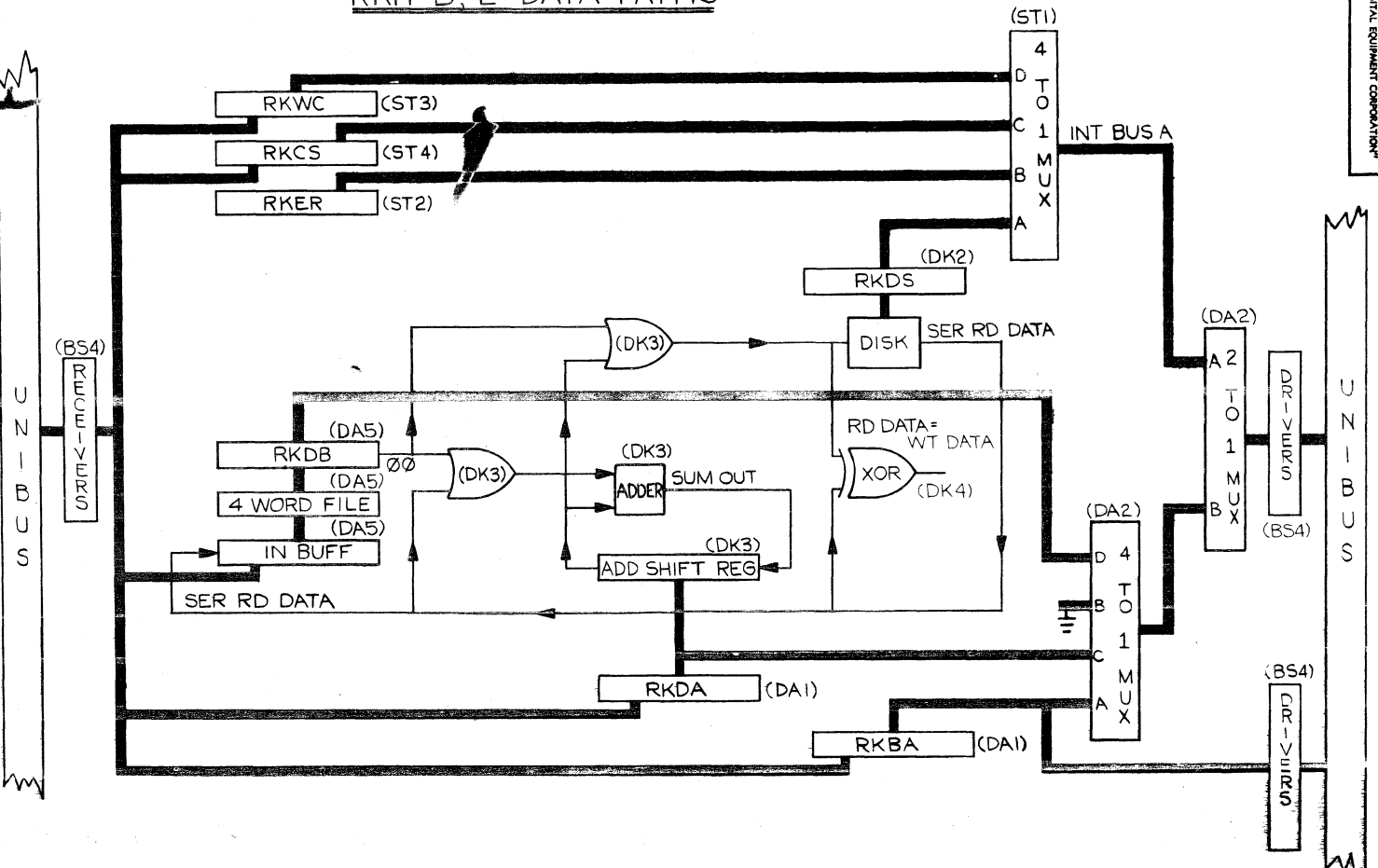
SIZE CODE  
 D I C R K 1 1 - D - 3

REV A

REVISIONS		
CHK	CHANGE NO.	REV.

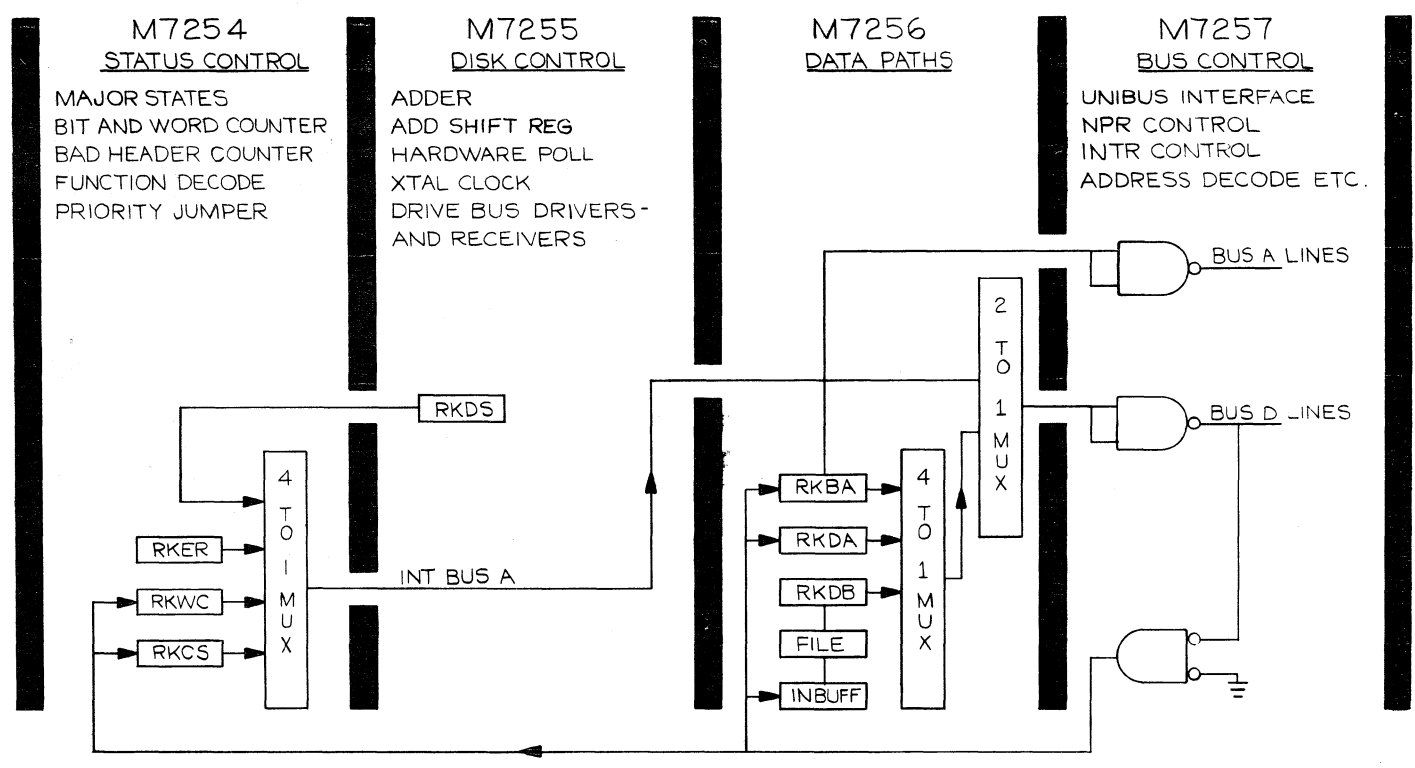
— DESIGNATES PARALLEL TRANSFER  
— DESIGNATES SERIAL TRANSFER

### RK11-D, E DATA PATHS

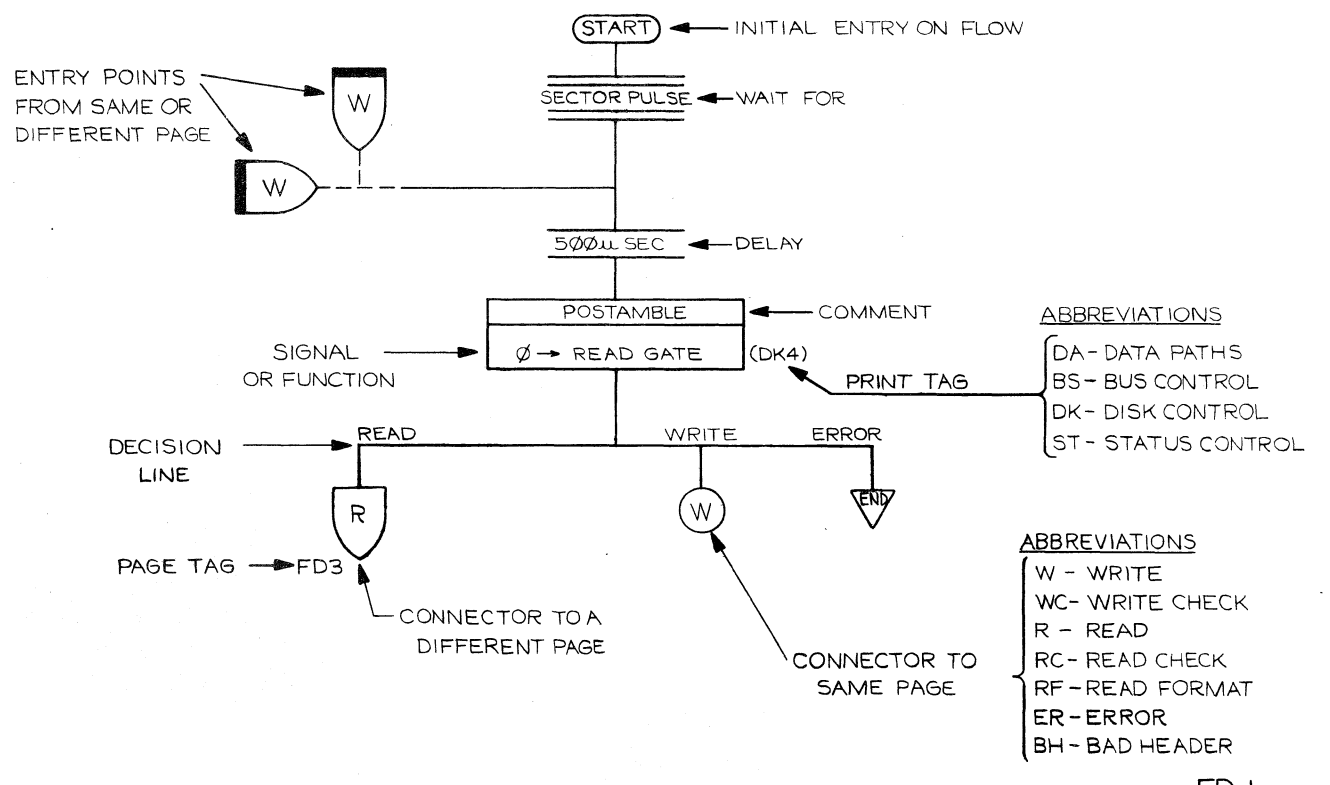


THIS DRAWING AND SPECIFICATIONS, HEREIN, ARE THE PROPERTY OF DIGITAL EQUIPMENT CORPORATION AND ARE TO BE USED BY THE USER ONLY IN CONNECTION WITH THE EQUIPMENT MANUFACTURED OR IN PART AS THE BASIS FOR THE MANUFACTURE OR SALE OF ITEMS WITHOUT WRITTEN PERMISSION OF DIGITAL EQUIPMENT CORPORATION.

### RK11-D, E MODULE BREAKDOWN



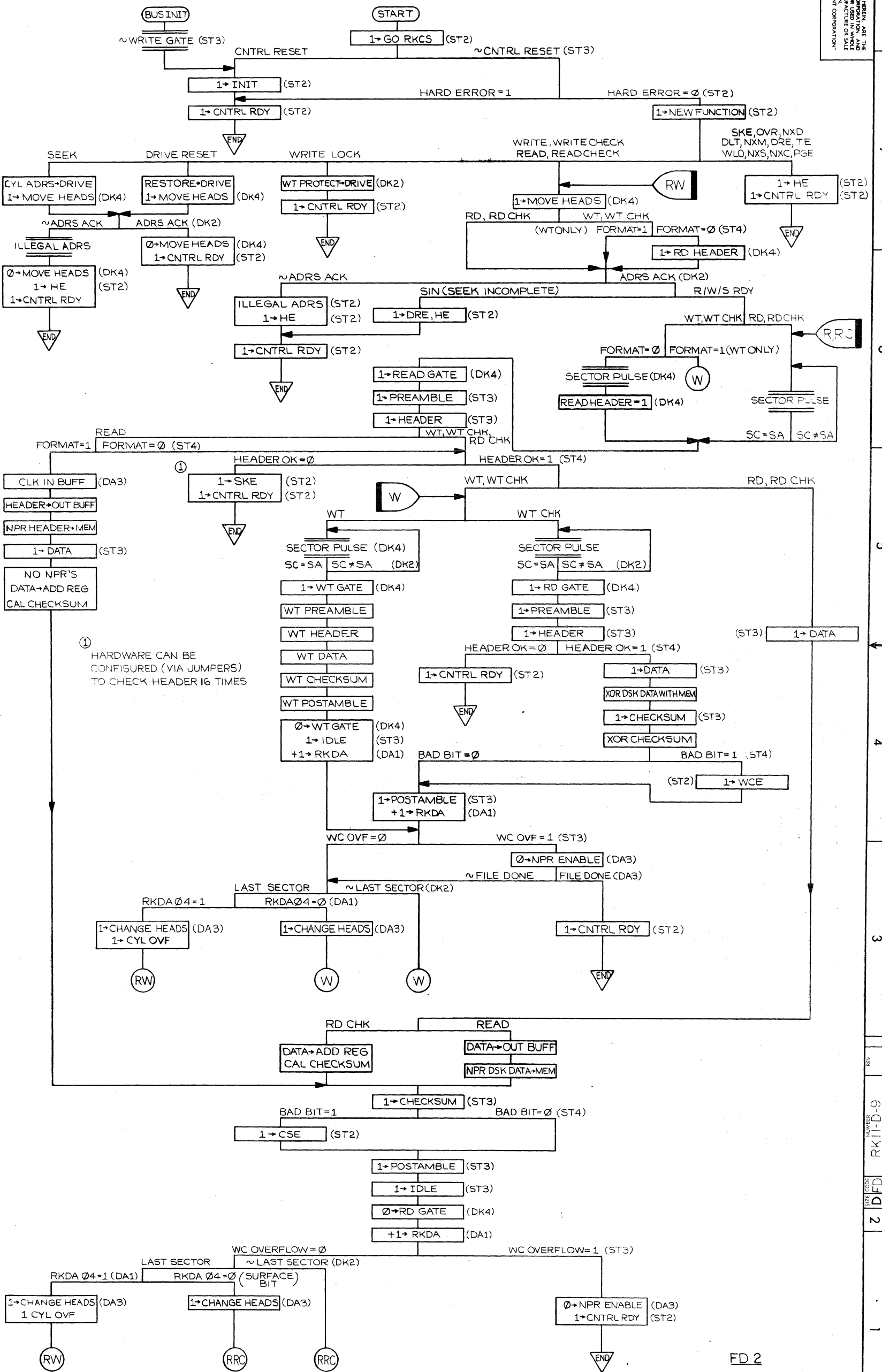
### FLOW DRAWING EXAMPLE



FIRST USED ON OPTION/MODEL		PARTS LIST	
RK11-D		PART NO.	
DIMENSIONAL TOLERANCE		TITLE	
DIMENSIONS ARE IN MILLIMETERS UNLESS OTHERWISE SPECIFIED		RK11-D, E FUNCTION FLOWS	
MILLIMETERS	INCHES	ANGLES	DATE
XXX ± 0.10	XXX ± .006	40° 30'	DATE
XX ± 0.05	XX ± .02		DATE
X ± .2	X ± .1		DATE
THIRD ANGLE PROJECTION	CORNERS SURFACE QUALITY	REMOVE BURNS AND BREAK SHARP	DATE
		NEXT HIGHER ASY.	DATE
MATERIAL	SCALE	SIZE CODE	NUMBER
FINISH	B-DD-RK11-D	DFD	RK11-D-9
	SHEET 1 OF 5	DIST	REV.

THIS DRAWING AND SPECIFICATIONS, HEREIN, ARE THE PROPERTY OF DIGITAL EQUIPMENT CORPORATION AND NOT TO BE REPRODUCED OR TRANSMITTED IN ANY FORM OR BY ANY MEANS, ELECTRONIC OR MECHANICAL, INCLUDING PHOTOCOPYING, RECORDING, OR BY ANY INFORMATION STORAGE AND RETRIEVAL SYSTEM, WITHOUT THE WRITTEN PERMISSION OF DIGITAL EQUIPMENT CORPORATION.

FUNCTIONAL FLOW DRAWING



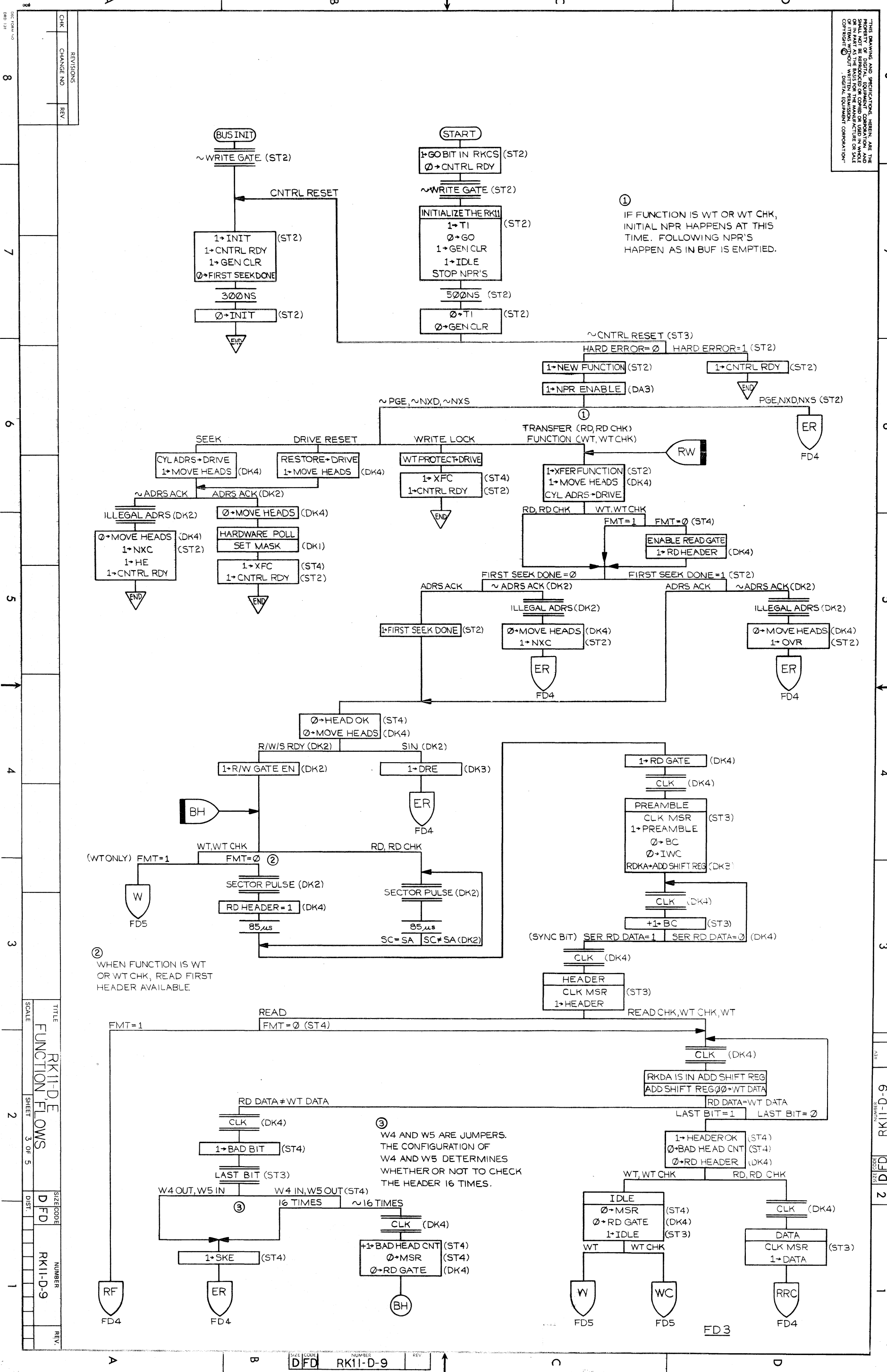
REV	NUMBER	SIZE CODE	TITLE	SCALE	SHEET
	RK11-D-9	DFD	FUNCTION FLOWS		2 OF 5

REV	NUMBER	SIZE CODE	TITLE	SCALE	SHEET
	RK11-D-9	DFD	FUNCTION FLOWS		2 OF 5

REV	NUMBER	SIZE CODE	TITLE	SCALE	SHEET
	RK11-D-9	DFD	FUNCTION FLOWS		2 OF 5





① IF FUNCTION IS WT OR WT CHK, INITIAL NPR HAPPENS AT THIS TIME. FOLLOWING NPR'S HAPPEN AS IN BUF IS EMPTIED.

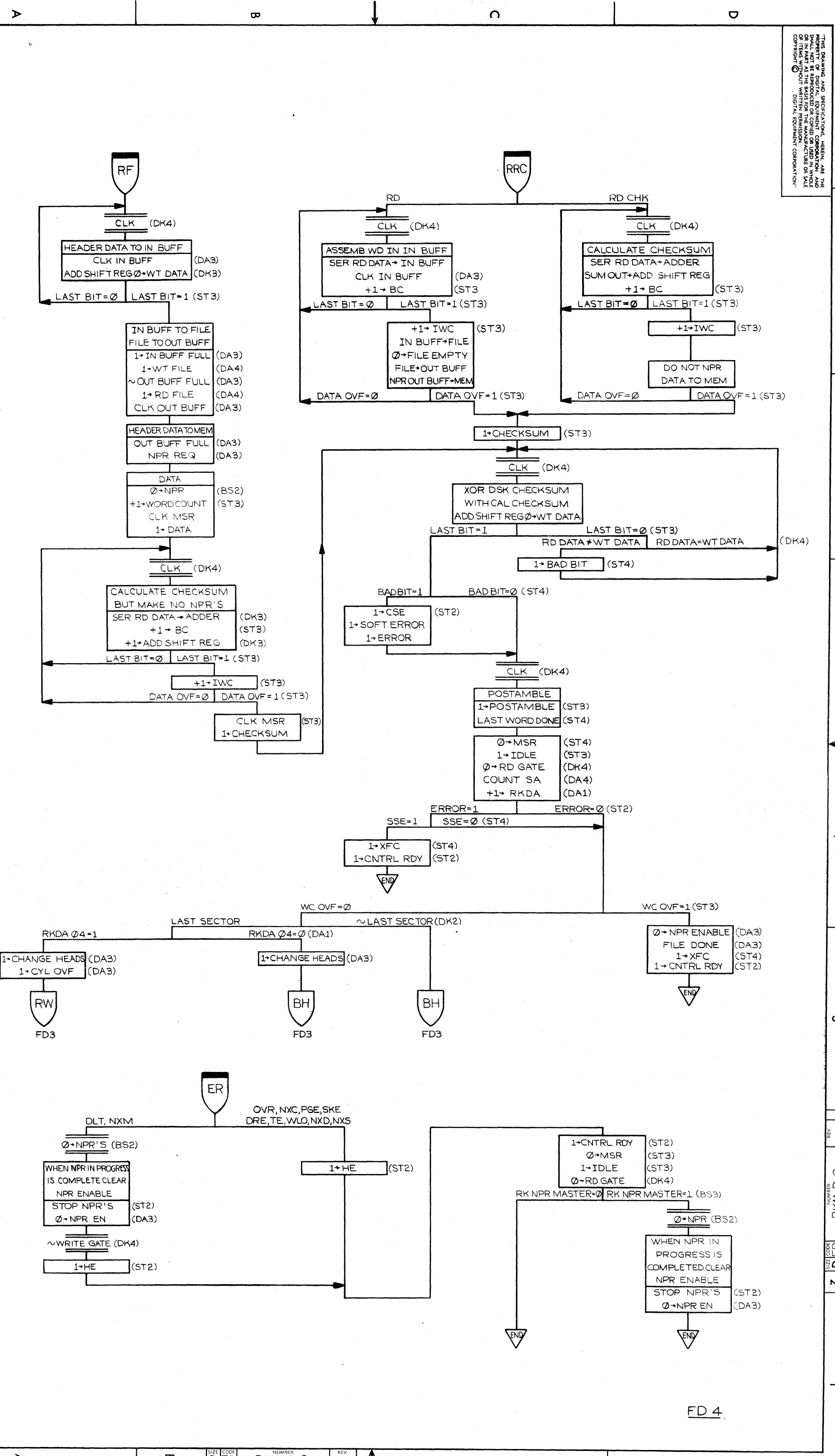
② WHEN FUNCTION IS WT OR WT CHK, READ FIRST HEADER AVAILABLE.

③ W4 AND W5 ARE JUMPERS. THE CONFIGURATION OF W4 AND W5 DETERMINES WHETHER OR NOT TO CHECK THE HEADER 16 TIMES.

REV	CHANGE NO	CHK

REV	NUMBER	SIZE CODE	TITLE
	RK11-D-9	DFD	FUNCTION FLOWS

THIS DRAWING AND SPECIFICATIONS, HEREIN, ARE THE PROPERTY OF DIGITAL EQUIPMENT CORPORATION AND OR IN PART AS THE BASIS FOR THE MANUFACTURE OR SALE OF ITEMS WITHOUT WRITTEN PERMISSION OF DIGITAL EQUIPMENT CORPORATION.



FD 4.

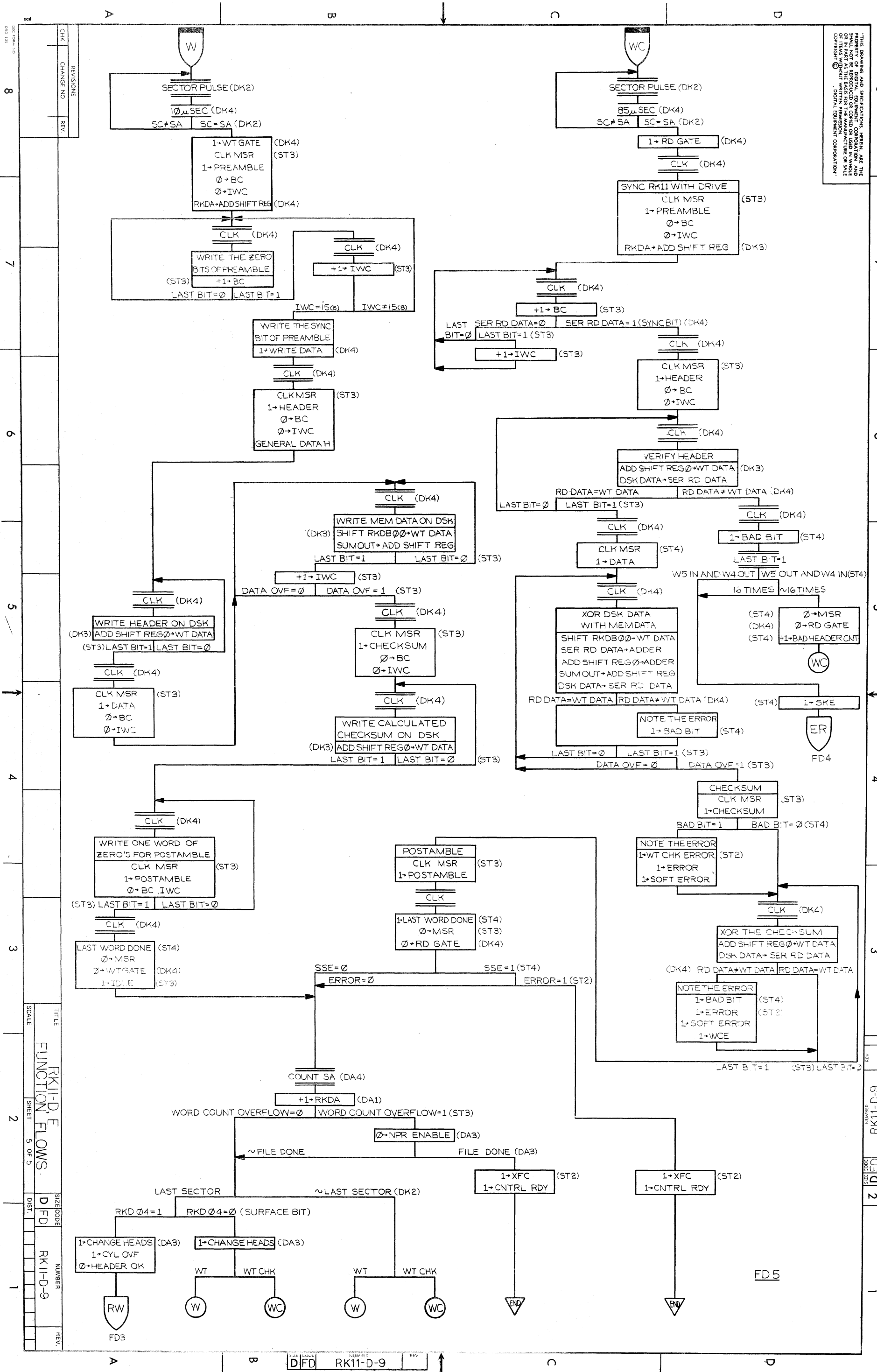
CHK	CHANGE NO	REV

TITLE	SCALE	SIZE CODE	NUMBER	REV.
RK11-D-9		DFD	RK11-D-9	

SIZE CODE	NUMBER	REV.
DFD	RK11-D-9	

REV. 2  
SECTION 123  
RK11-D-9

THIS DRAWING AND SPECIFICATIONS, HEREIN, ARE THE PROPERTY OF DIGITAL EQUIPMENT CORPORATION AND SHALL NOT BE REPRODUCED OR USED IN WHOLE OR IN PART WITHOUT WRITTEN PERMISSION OF DIGITAL EQUIPMENT CORPORATION.

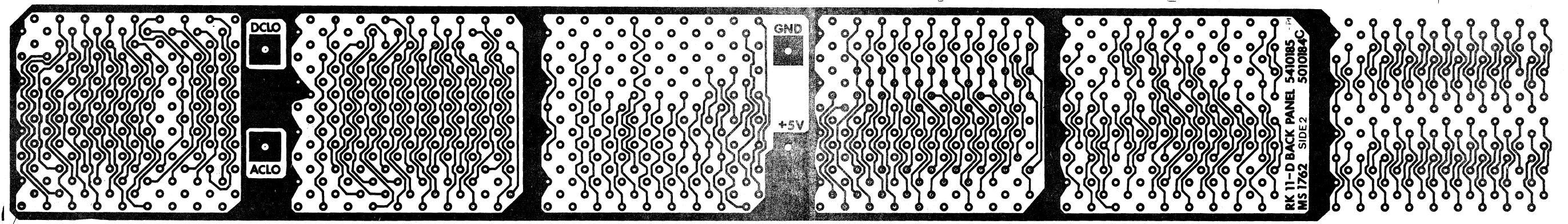
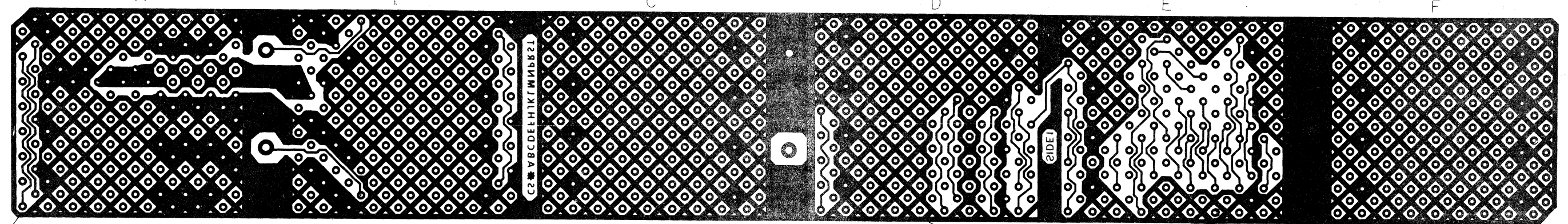


REVISIONS  
 CHK CHANGE NO REV  
 TITLE  
 FUNCTION FLOWS  
 SCALE  
 SHEET 5 OF 5  
 SIZE CODE  
 DIST  
 NUMBER  
 REV

REV  
 NUMBER  
 SIZE CODE  
 DIST  
 REV

This drawing and specifications, herein, are the property of Digital Equipment Corporation and shall not be reproduced or copied or used in whole or in part as the basis for the manufacture or sale of items without written permission.

10-5210179  
 1003 3125  
 2



REV	CHANGE NO	DESCRIPTION
1	1	MINOR

FIRST USED ON OPTION/MODEL	QTY.	DESCRIPTION	PART NO.	ITEM NO.
PARTS LIST				
UNLESS OTHERWISE SPECIFIED DIMENSION IN INCHES				
TOLERANCES				
DECIMALS	ANGLES	TITLE		
.XXX = .005	± 0° 30'	<b>digital</b> EQUIPMENT CORPORATION MAYNARD, MASSACHUSETTS  CIRCUIT SCHEMATIC (RK11-D)		
.XX = .02				
.X = .1				
REMOVE BURRS AND BREAK SHARP CORNERS SURFACE QUALITY				
MATERIAL	NEXT HIGHER ASSY.			
FINISH	SCALE	SIZE CODE	NUMBER	REV.
	SHEET OF	D	CS5410185-0-1	E

REV. B  
 NUMBER 5410185-0-1  
 SIZE CODE D

This drawing and specification are the property of Digital Equipment Corporation and shall not be reproduced, in part or whole, in any form or by any means, without written permission of Digital Equipment Corporation.

WIRE TABLE			
ITEM NO	DESCRIPTION	COLOR	CONNECTION TO RKII-D
2	18	VIO	DC LS
	18	YEL	AC LO
	14	BLK	GND
	14	RED	+5V

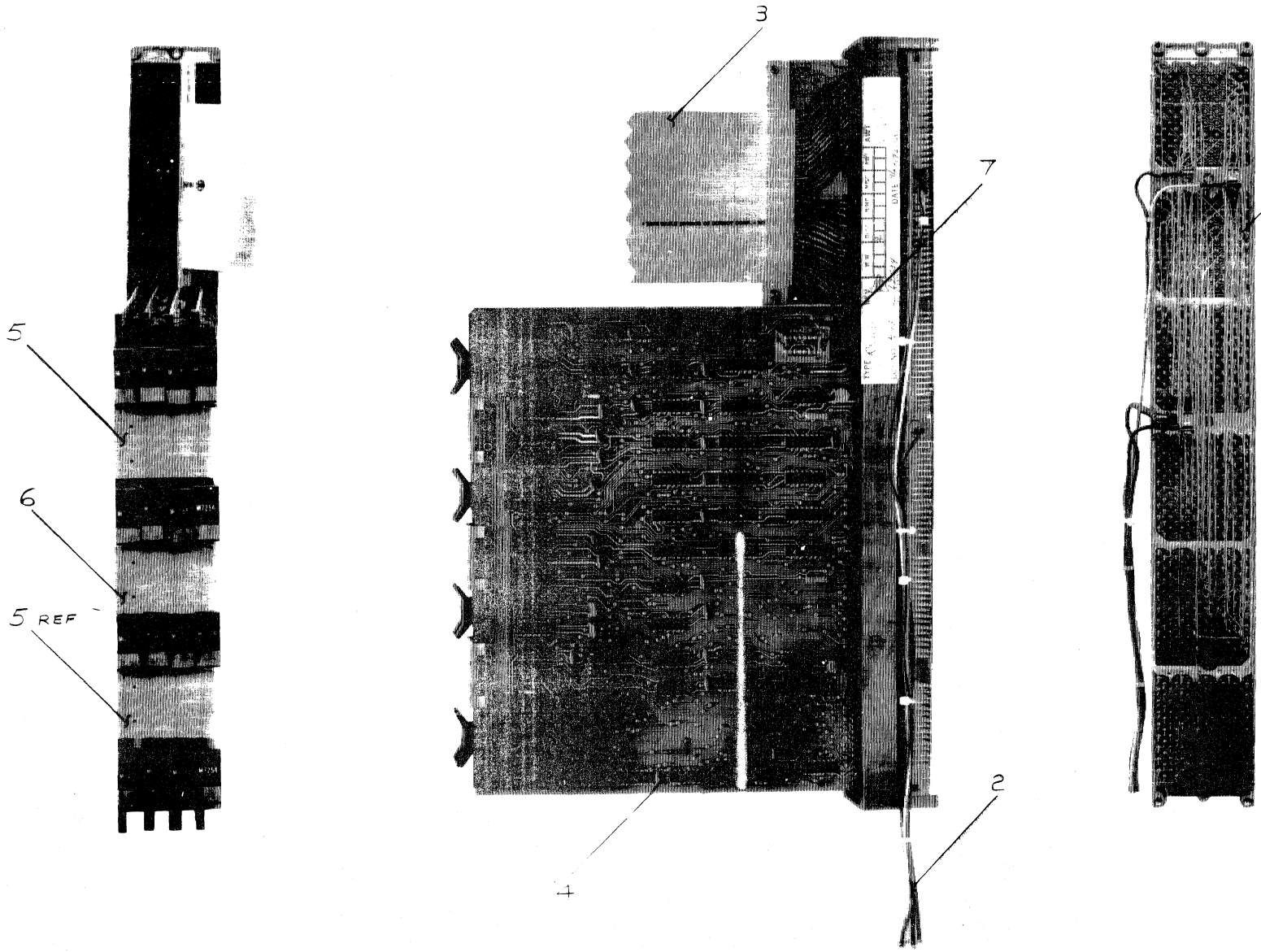
LEGEND	
OPTION	VARIATION
RKII-D	DISK CONTROL
RKII-E	DISK CONTROL
RKII-DE	RKII-D WITH RK05-DE
RKII-DF	RKII-D WITH RK05-DF
RKII-DH	RKII-D WITH RK05-DH
RKII-DJ	RKII-D WITH RK05-DJ
RKIIJ-DE	RKII-D WITH RK05J-DE
RKIIJ-DF	RKII-D WITH RK05J-DF
RKIIJ-DH	RKII-D WITH RK05J-DH
RKIIJ-DJ	RKII-D WITH RK05J-DJ
RKIIJ-DK	RKII-D WITH RK05J-DK
RKIIJ-DL	RKII-D WITH RK05J-DL
RKIIJ-DM	RKII-D WITH RK05J-DM
RKIIJ-DN	RKII-D WITH RK05J-DN

NOTES:

- ITEM 17 IS MADE UP OF ITEMS 1 THRU 8 AND 10 THRU 12.
- USE RKII-D OPTION HARNESS 7009559 IN 11/40 SYSTEMS WITH S/N GREATER THAN 6000 AND 11/45 SYSTEMS WITH S/N GREATER THAN 2000. OLDER MACHINES REQUIRE RKII-D POWER HARNESS 7008992. PDP 11/20 AND PDP 11/15 SYSTEMS AND BAII-ES BOXES USE NO POWER HARNESS OTHER THAN THAT SUPPLIED INTERNAL TO THE BOX. BAII-D BOXES REQUIRE RKII-D POWER HARNESS 7008992.
- ITEM 8 OR 9 IS INSTALLED ON THE M7255 MODULE DURING SYSTEM INTERGRATION.

D  
C  
B  
A

D  
C  
B  
A



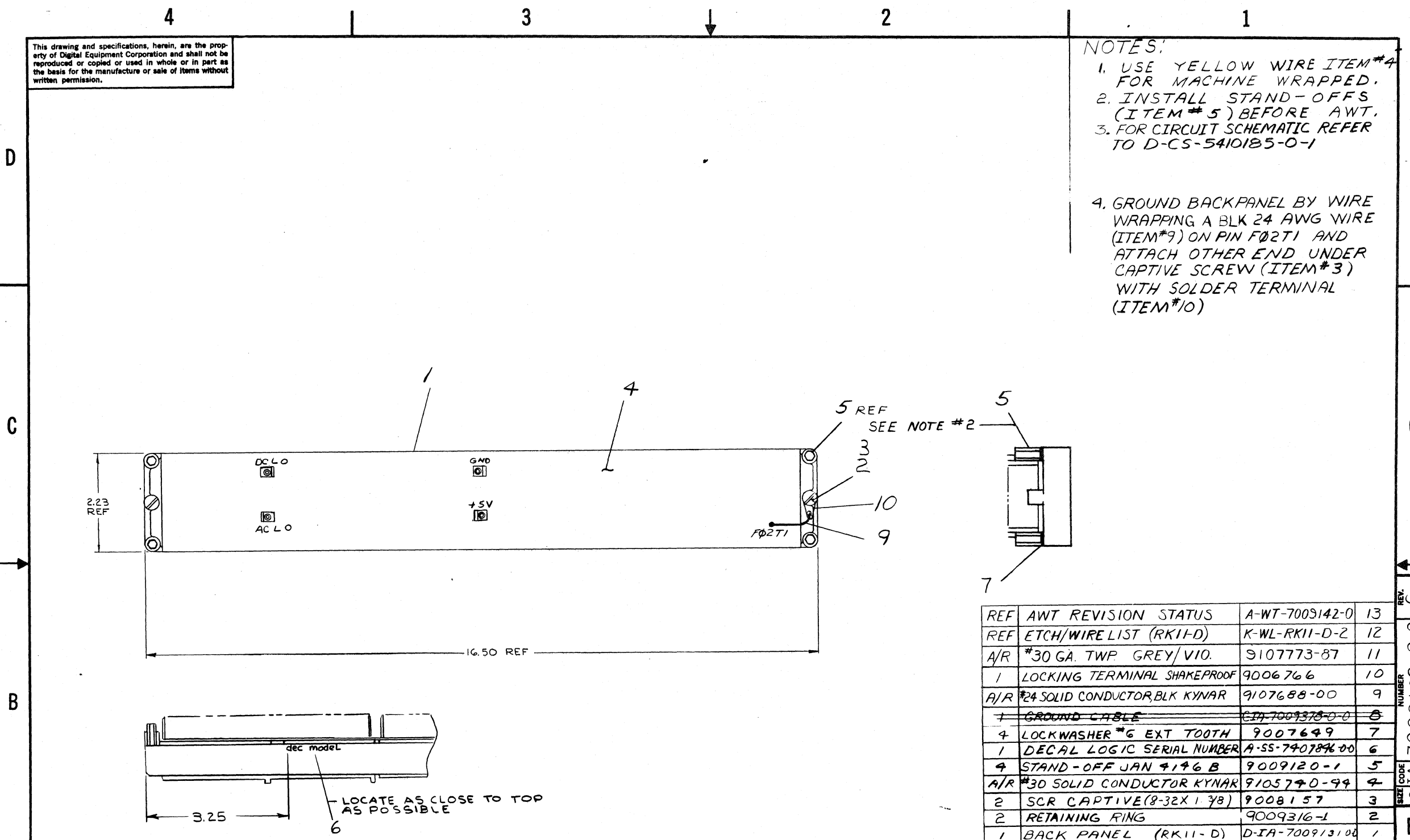
RKIIJ-DN	RKIIJ-DM	RKIIJ-DL	RKIIJ-DK	RKIIJ-DJ	RKIIJ-DH	RKIIJ-DF	RKIIJ-DE	RKII-DJ	RKII-DH	RKII-DF	RKII-DE	RKII-E	RKII-D	QTY	DESCRIPTION	PART NO.	ITEM NO.	
															1	CAB, RK05J 230V 50HZ	RK05J-DN	25
															1	CAB, RK05J 115V 50HZ	RK05J-DM	24
															1	CAB, RK05J 230V 60HZ	RK05J-DL	23
															1	CAB, RK05J 115V 60HZ	RK05J-DK	22
															1	TALL CAB, 861, RK05J 230V 50HZ	RK05J-DJ	21
															1	TALL CAB, 861, RK05J 115V 50HZ	RK05J-DH	20
															1	TALL CAB, 861, RK05J 230V 60HZ	RK05J-DF	19
															1	TALL CAB, 861, RK05J 115V 60HZ	RK05J-DE	18
															1	DISK CONTROL	RKII-D	17
															1	TALL CAB, 861, RK05 115V 60HZ	RK05-DE	16
															1	TALL CAB, 861, RK05 230V 60HZ	RK05-DF	15
															1	TALL CAB, 861, RK05 115V 50HZ	RK05-DH	14
															1	TALL CAB, 861, RK05 230V 50HZ	RK05-DJ	13
														1	INTERNAL BUS CONNECTOR	C-CS-M920-0-1	12	
														1	BUS TERMINATOR	C-CS-M930-0-1	11	
														1	MAINT MODULE OVERLAY (RKII-D)	A-55-55-7081-4	10	
														1	3.090 MHZ CRYSTAL	18-10694-4	9	
														1	2.880 MHZ CRYSTAL	18-10694-3	8	
														1	PRIORITY PLUG LEVEL 5	5908778	7	
														1	MODULE CLAMPS WITHOUT SEPARATOR	12-09856-2	6	
														2	MODULE CLAMPS WITH SEPARATOR	12-09856-1	5	
														1	MODULE UTILIZATION	D-MU-RKII-D-1	4	
														1	CABLE 15 FT	D-UA-EC11A 15	3	
														1	OPTION HARNESS	D-IA-7009559-00	2	
														1	WIRE 4554	C-IA-7009142-03	1	

REV. NO.	DATE	BY	CHKD.
1	11/17/72	Wilson	Wilson
2	11/17/72	Wilson	Wilson
3	11/17/72	Wilson	Wilson
4	11/17/72	Wilson	Wilson
5	11/17/72	Wilson	Wilson
6	11/17/72	Wilson	Wilson
7	11/17/72	Wilson	Wilson
8	11/17/72	Wilson	Wilson

UNLESS OTHERWISE SPECIFIED DIMENSION IN INCHES TOLERANCES	DATE 10/19/72	
DECIMALS ANGLES	DATE 11/17/72	
XXX .005 .01 .02 .05 .1 .2 .5 1 2 5 10 20 50 100	DATE 11/17/72	
PROJ. ENG. DATE 11/17/72	DATE 11/17/72	
REMOVE BURRS AND BREAK SHARP CORNERS SURFACE QUALITY	DATE 11/17/72	TITLE
MATERIAL	NEXT HIGHER ASSY.	DISK CONTROL
FINISH	SCALE	SIZE CODE
SHEET OF	DIST	NUMBER
		REV.

This drawing and specifications, herein, are the property of Digital Equipment Corporation and shall not be reproduced or copied or used in whole or in part as the basis for the manufacture or sale of items without written permission.

**NOTES:**  
 1. USE YELLOW WIRE ITEM #4 FOR MACHINE WRAPPED.  
 2. INSTALL STAND-OFFS (ITEM #5) BEFORE AWT.  
 3. FOR CIRCUIT SCHEMATIC REFER TO D-CS-5410185-0-1  
 4. GROUND BACKPANEL BY WIRE WRAPPING A BLK 24 AWG WIRE (ITEM #9) ON PIN F02T1 AND ATTACH OTHER END UNDER CAPTIVE SCREW (ITEM #3) WITH SOLDER TERMINAL (ITEM #10)



REF	AWT REVISION	STATUS	A-WT-7009142-0	13
REF	ETCH/WIRE LIST (RK11-D)		K-WL-RK11-D-2	12
A/R	#30 GA. TWP GREY/VIO.		9107773-87	11
1	LOCKING TERMINAL SHAKEPROOF		9006766	10
A/R	#24 SOLID CONDUCTOR, BLK KYNAR		9107688-00	9
1	GROUND CABLE		<del>CIA-7009378-0-0</del>	8
4	LOCKWASHER #6 EXT TOOTH		9007649	7
1	DECAL LOGIC SERIAL NUMBER		A-SS-740789-00	6
4	STAND-OFF JAN 4146 B		9009120-1	5
A/R	#30 SOLID CONDUCTOR KYNAR		9105740-99	4
2	SCR CAPTIVE (8-32 X 1 3/8)		9008157	3
2	RETAINING RING		9009316-1	2
1	BACK PANEL (RK11-D)		D-IA-700913100	1

FIRST USED ON OPTION/MODEL	QTY.	DESCRIPTION	PART NO.	ITEM NO.
RK11-D				
PARTS LIST				
UNLESS OTHERWISE SPECIFIED DIMENSION IN INCHES. TOLERANCES		DRN. <i>G. Wilson</i> DATE 9/25/72	 <b>digital</b> EQUIPMENT CORPORATION MAYNARD, MASSACHUSETTS	
DECIMALS	ANGLES	CHK'D. <i>W. L.</i> DATE 11/1/72		
.XXX = .005	±0° 30'	ENG. <i>W. L.</i> DATE 11/1/72	TITLE WIRED ASS'Y (RK11-D)	
.XX = .02		PROJ. ENG. <i>W. L.</i> DATE 11/1/72		
REMOVE BURRS AND BREAK SHARP CORNERS SURFACE QUALITY ✓		PROD. <i>R. Dorley</i> DATE 11/2/72	SIZE CODE NUMBER REV. <b>CIA</b> 7009142-0-0 C	
MATERIAL		NEXT HIGHER ASSY.		
FINISH		B-DD-RK11-D	SHEET 1 OF 1	

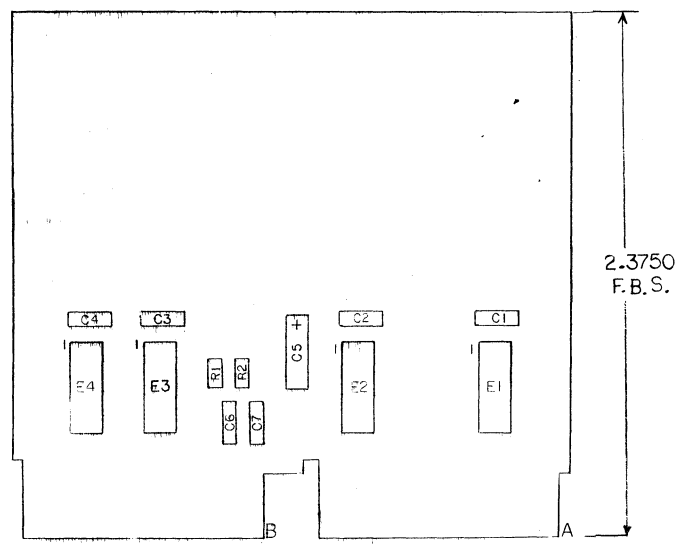
REV.	CHANGE NO.	DATE	BY
A	RK11D-00010	10-21-72	<i>W. L.</i>
B	IRK11D-00016	11-12-73	<i>K. Lewis</i>
C	RK11D-00019	6-4-74	<i>R. Lewis</i>
	RK11D-00019	28 Oct 76	<i>B. Chissem</i>
		10-29-76	<i>R. Gruda</i>

THIS DRAWING AND SPECIFICATIONS, HEREIN, ARE THE PROPERTY OF DIGITAL EQUIPMENT CORPORATION AND SHALL NOT BE REPRODUCED OR COPIED OR USED IN WHOLE OR IN PART AS THE BASIS FOR THE MANUFACTURE OR SALE OF ITEMS WITHOUT WRITTEN PERMISSION.  
 COPYRIGHT © 1975 "DIGITAL EQUIPMENT CORPORATION"

**NOTES:**

E 1-0-000W SO D 2  
 NUMBER M930-0-1  
 SIZE CODE DCS

REF	DESCRIPTION	QTY	PART NO.	ITEM NO.
	X-Y COORDINATE HOLE LOCATION		K-CO-M930-0-4	
	ASSY/DRILLING HOLE LAYOUT		D-AH-M930-0-5	
	MODULE ECO HISTORY		B-MH-M930-0-6	
1	ETCHED CIRCUIT BOARD		5008696	
4	C1 THRU C4		1010274-01	
2	C6, C7		1000043	
1	C5		1000076	
2	R1, R2		1305125	
2	E1, E4		1312628-00	
2	E2, E3		1312628-01	



IC TYPE	GND	+5V
GND AND 5V ARE USUALLY PIN 7 AND 14 RESPECTIVELY EXCEPTIONS ARE STATED ABOVE		
IC PIN LOCATIONS		

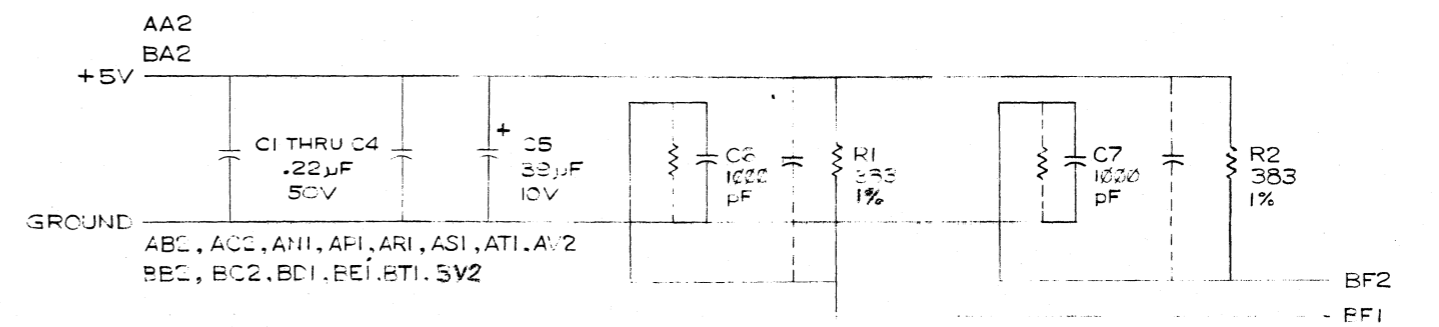
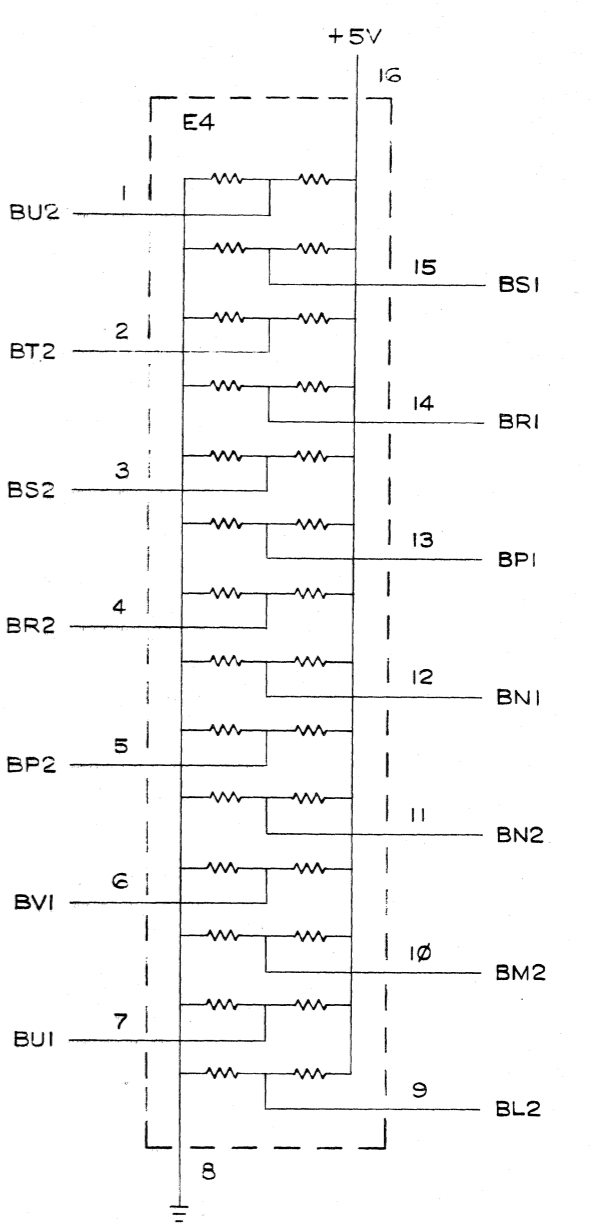
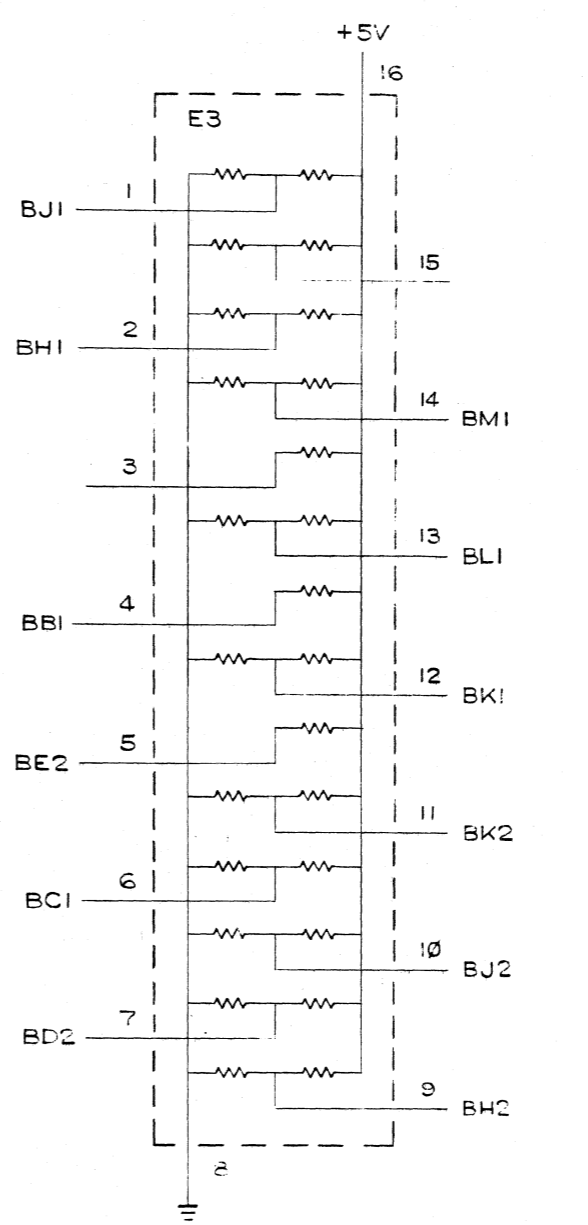
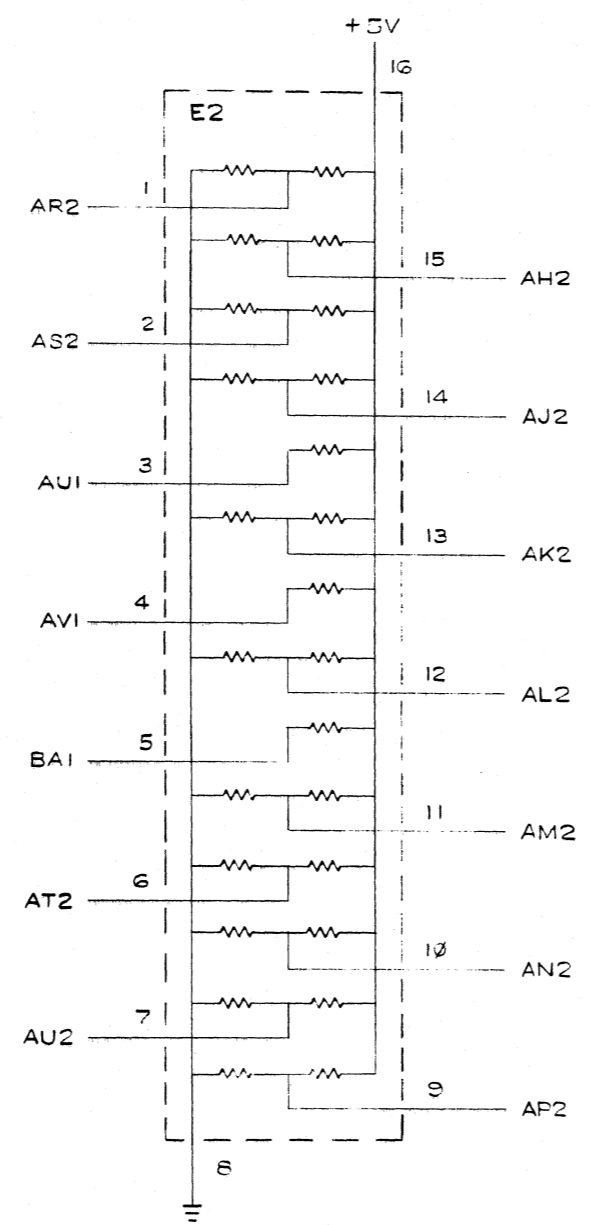
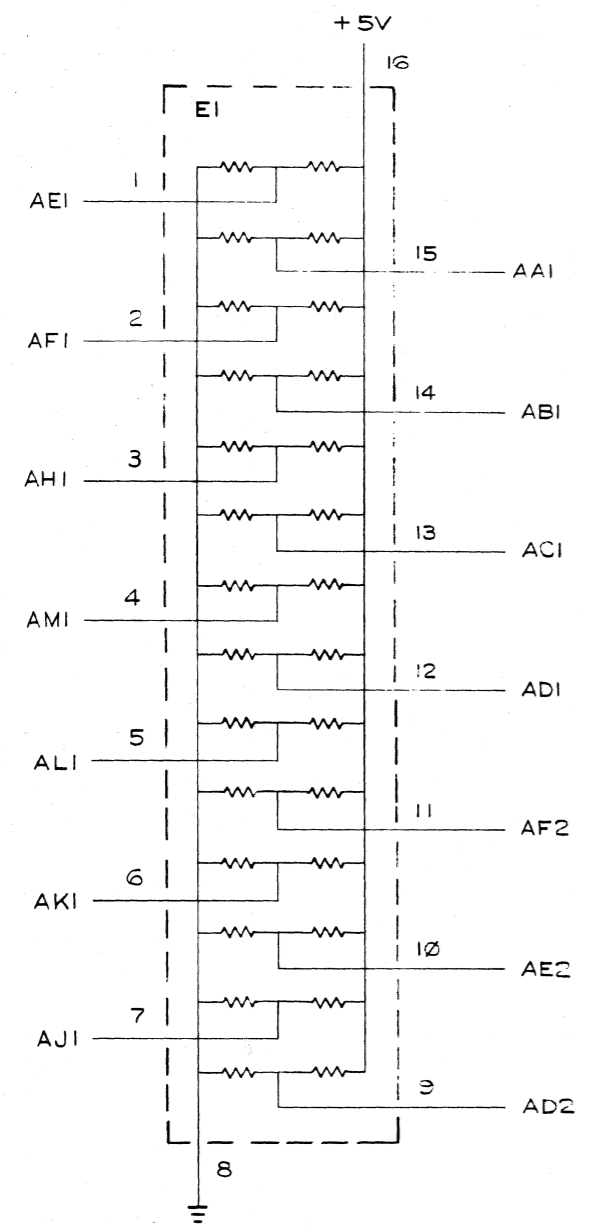
FIRST USED ON OPTION MODEL  
 M-3

QTY	REF. DESIGNATION	DESCRIPTION	PART NO.	ITEM NO.
PARTS LIST				
	ETCH BOARD REV.	E-P3		
	DRN.	J. CARTER	DATE 7-9-75	
	CHK'D		DATE 7-16-75	
	ENG.		DATE	
	PROJ. ENG.		DATE	
	PROD.		DATE	
	NEXT HIGHER ASSY			
DEC NO.	EIA NO.	DEC NO.	EIA NO.	
SEMICONDUCTOR CONVERSION CHART			SCALE	
CHK	CHANGE NO.	REV		

<b>digital</b>		
TITLE BUS TERMINATOR		REV. E
SIZE CODE DCS	NUMBER M930-0-1	DIST.

"THIS DRAWING AND SPECIFICATIONS, HEREIN, ARE THE PROPERTY OF DIGITAL EQUIPMENT CORPORATION AND SHALL NOT BE REPRODUCED OR COPIED OR USED IN WHOLE OR IN PART AS THE BASIS FOR THE MANUFACTURE OR SALE OF ITEMS WITHOUT WRITTEN PERMISSION. COPYRIGHT © 1975 DIGITAL EQUIPMENT CORPORATION"

REV. E  
 NUMBER M930-0-1  
 SIZE CODE DCS



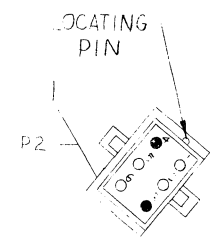
REVISIONS		
CHK	CHANGE NO.	REV.



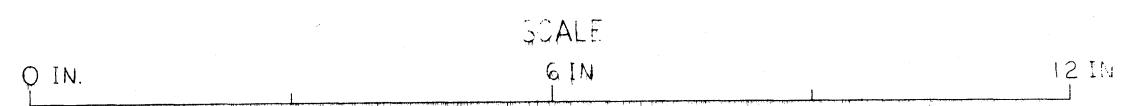
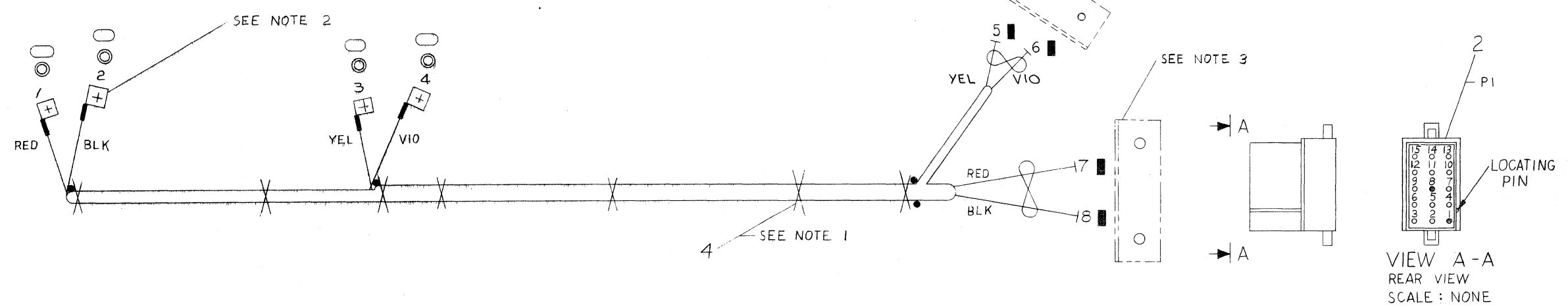
"THIS DRAWING AND SPECIFICATIONS, HEREIN, ARE THE PROPERTY OF DIGITAL EQUIPMENT CORPORATION AND SHALL NOT BE REPRODUCED OR COPIED OR USED IN WHOLE OR IN PART AS THE BASIS FOR THE MANUFACTURE OR SALE OF ITEMS WITHOUT WRITTEN PERMISSION. COPYRIGHT © 1973, DIGITAL EQUIPMENT CORPORATION"

ITEM NO	DESCRIPTION				WIRE TABLE				
	AWG	COLOR	POINT	POINT	TERMINATION	TERMINATION	CONNECTION	TERM	SIGNAL
6	#19	YEL	3		7.8	5	P2-4	3	AC L0
TWP	#18	VIO	4		7.8	6	P2-3	3	DC L0
5	#14	RED	1		7.8	7	P1-1	3	+5
TWP	#14	BLK	2		7.8	8	P1-8	3	GND

- NOTES:
- USE TIE WRAPS (X) ITEM #4 APPROXIMATELY EVERY THREE (3) INCHES WHEN NECESSARY, AND AT EVERY BREAKOUT POINT.
  - ATTACH MALE FASTON DEC # (3008219-0) WITH #4 WOOD SCREWS (4 PLACES).
  - USE CONN. BRKT. # C-MD-9305761-H15-0, MOUNT WITH #6 WOOD SCREWS. USE MATING CONN. 1209350-15.
  - USE CONN. BRKT. # C-MD-9305761-H6-0 MOUNT WITH #6 WOOD SCREWS. USE MATING CONN. 1209350-06.
  - DOT (●) INDICATES NAIL LOCATIONS FOR ASSEMBLY USE ONLY. COVER NAILS WITH SHRINK TUBING TO PREVENT CUTTING HARNESS.



VIEW B-B  
REAR VIEW  
SCALE: NONE



DO NOT REDUCE  
DO NOT BUILD FROM REDUCED PRINT

SYMBOL	DESCRIPTION	PART NO.	QTY.
○	A/R TUBING, SHRINKABLE 3/16 ID X 9/16	9107305-02	8
⊙	4 CONN, SOLDERLESS	9009262-00	7
—	A/R WIRE, #18 AWG TWP YEL/VIO	9107430-47	6
—	A/R WIRE, #14 AWG TWP BLK/RED	9107440-02	5
X	A/R WRAP, TIE	9007031	4
■	4 PIN, MALE	1209378-01	3
□	HOUSING, CONN. 15 PIN	1209351-15	2
□	HOUSING, CONN. 6 PIN	1209351-06	1

REV	CHANGE NO

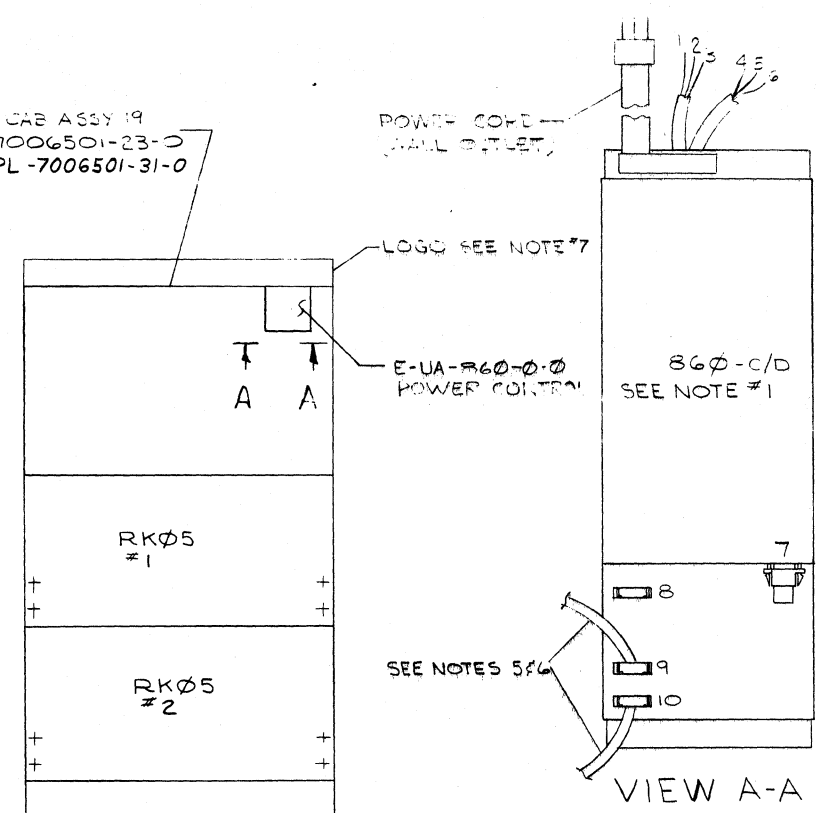
FIRST USED ON OPT / MOD	QTY.	DESCRIPTION	PART NO.	ITEM NO.
RK11-D				

UNLESS OTHERWISE SPECIFIED DIMENSION IN INCHES	DRN.	DATE	PARTS LIST
TOLERANCES	CHK'D.	DATE	
DECIMALS .xxx = .005	ENG.	DATE	TITLE <b>OPTION HARNESS</b> RK11-D
ANGLES ±0° 30'	PROJ. ENG.	DATE	
.xx = .02 .x = .1	PROD.	DATE	
REMOVE BURRS AND BREAK SHARP CORNERS SURFACE QUALITY			
MATERIAL	NEXT HIGHER ASSY.		SIZE CODE D 1A
FINISH	SCALE		NUMBER 7009559-0-0
	SHEET	OF	REV. 1

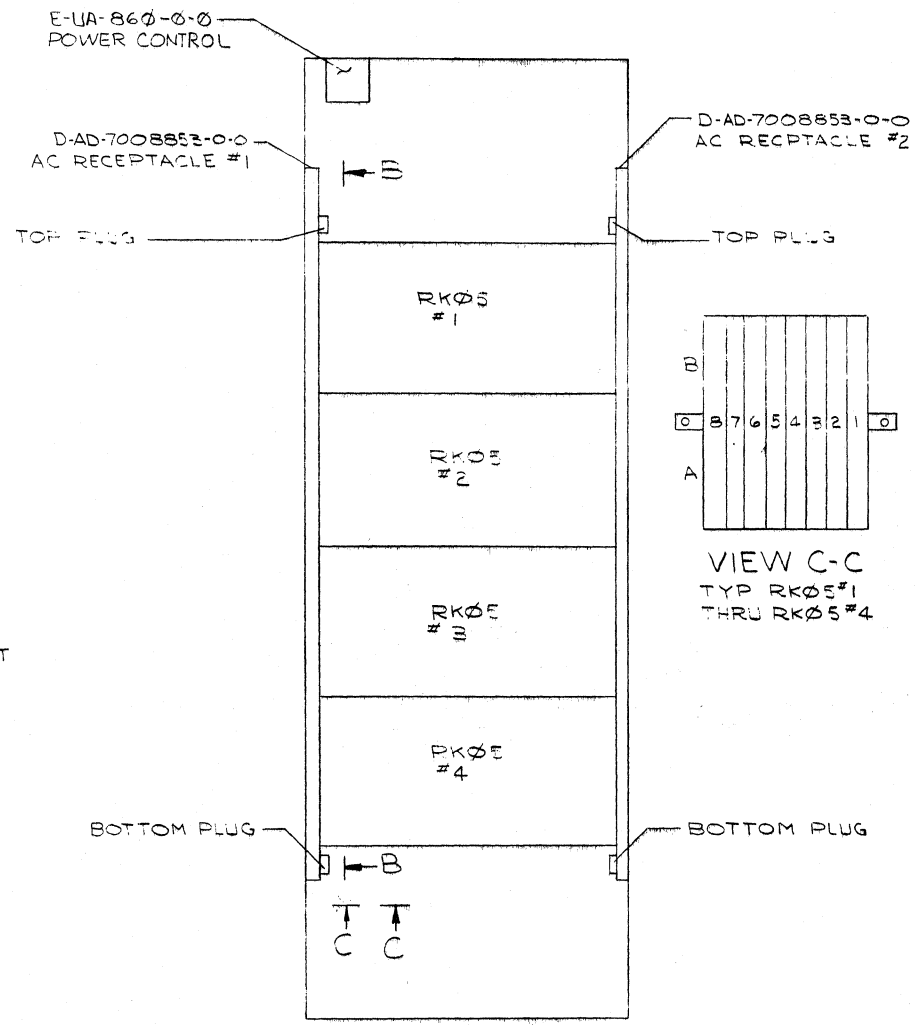
DIA 7009559-0-0

This drawing and specifications, herein, are the property of Digital Equipment Corporation and shall not be reproduced or copied or used in whole or in part as the basis for the manufacture or sale of items without written permission.

BASIC CAB ASSY 19  
C-PL-7006501-23-0  
OR C-PL-7006501-31-0

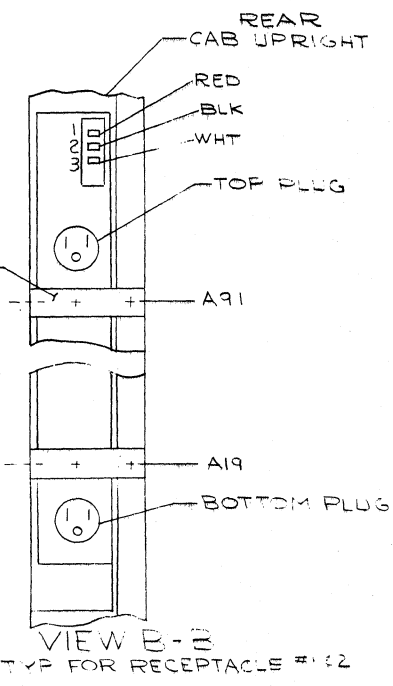


VIEW A-A



REAR VIEW

CONFIGURATION WITH 860 POWER CONTROL



VIEW B-B  
TYP FOR RECEPTACLE #12

- NOTES:
- 1) TO REWORK 860-A & B TO 860-C & D REFER TO DRAWING E-UA-860-B-B.
  - 2) IF LESS THAN 4 DRIVES, THE M930 MODULE IS MOVED TO THE LAST DRIVE ON THE BUS IN THE SLOT NORMALLY OCCUPIED BY THE OUTCOMING BC11A CABLE.
  - 3) IF MORE THAN 4 DRIVES, EACH WILL BE CONFIGURED SIMILARLY IN A SECOND CAB.
  - 4) AS REQUIRED BY CONTROLLER, THE INCOMING CABLE TO RK05 #5 MAY COME DIRECTLY FROM A DISK CONTROL OR FROM THE SLOT NORMALLY OCCUPIED BY THE M930 IN RK05 #4. (SEE NOTE #2). POWER AND CABLING INFORMATION ALSO APPLY TO CAB #2.
  - 5) IN A SYSTEM USING PDP-11/15, 11/20, OR PDP-8 PROCESSORS AND IF 860 OR 861 POWER CONTROL IS FIRST IN THE CHAIN OF POWER CONTROLS, CONNECT P1 OF CABLE #7008984 TO POWER CONTROL AND P2 OF 2 CABLE #7008984 TO H720-E/F IN THE PROCESSOR. DO NOT USE ANY OTHER JUMPER PLUG IN THE PROCESSOR POWER SUPPLY. IN ALL OTHER SITUATIONS USE CABLE #7008288 FOR INTERCONNECTIONS.
  - 6) PLUGS 8, 9 AND 10 ARE WIRED IN PARALLEL. USE ANY PLUGS AS REQUIRED. NO JUMPER PLUG IS REQUIRED ON THE 860 OR 861 POWER CONTROL.
  - 7) USE BLANK LOGO, COLOR TO COINCIDE WITH PRODUCT LINE.
  - 8) TO MOUNT CHASSIS SLIDES ON RACK USE MOUNTING HARDWARE KIT #7009276 OR ITEMS.
    1. TINNEMAN NUT #9007786
    2. #10-32 PHL TRUSS #9006074-3 HD SCR 5/8 LG
    3. #10 EXTERNAL TOOTH #9007651 WASHER
 LOCATION OF MOUNTING HOLES TO BE AS FOLLOWS: STARTING FROM BOTTOM OF RACK HOLE NUMBERS FOR FRONT AND REAR, LEFT AND RIGHT:
 

21, 24
39, 42
57, 60
75, 78
  - 9) USE THE PRE-FOLDED CREASES ON THE DISK BUS CABLE FOR CLAMPING. DO NOT PULL THE CABLE TIGHT AGAINST PRE-FILTER. LEAVE SERVICE LOOP SO THAT HAND CAN FIT BETWEEN THE CABLE AND FILTER.
  - 10) RK05'S PLUG INTO SWITCHED AC OUTLETS ONLY.

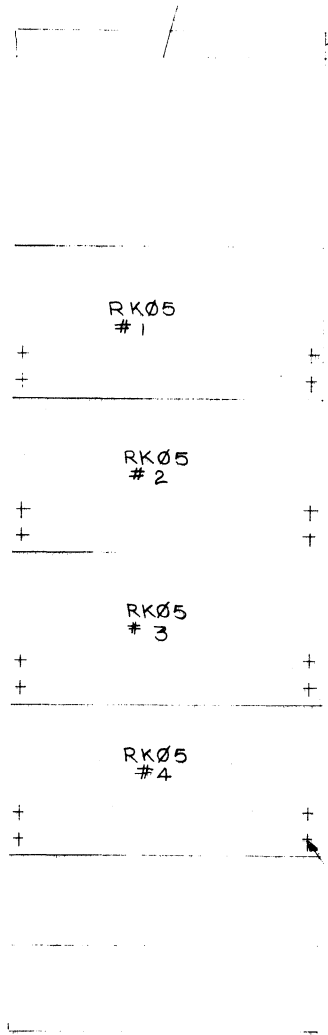
REV.	CHANGE NO.	REV.
1	RK05-0002R	A
2	3-15-73	L-30-72
3	G. SCHNEIDER	11/73
4	RK05-00043	B
5	E. ALLAIN	9-14-73
6	G. SCHNEIDER	

FIRST USED ON OPTION/MODEL	QTY.	DESCRIPTION	PART NO.	ITEM NO.
RK05		PARTS LIST		
UNLESS OTHERWISE SPECIFIED DIMENSION IN INCHES. TOLERANCES	DRN. DATE 3/10/72	CHK'D. DATE 6/2/72	digital EQUIPMENT CORPORATION MAYNARD MASSACHUSETTS	
DECIMALS ANGLES	ENG. DATE 7-12-72	PROD. ENG. DATE 7-12-72	TITLE RK05 OPTION CONFIGURATION	
REMOVE BURRS AND BREAK SHARP CORNERS SURFACE QUALITY	PROD. DATE 7/2/72		MATERIAL NEXT HIGHER ASSY.	
			FINISH B-DD-RK05-0	
			SCALE	
			SHEET OF 3	
			SIZE CODE NUMBER REV. DCCRK05-0-15 B	
			DIST.	

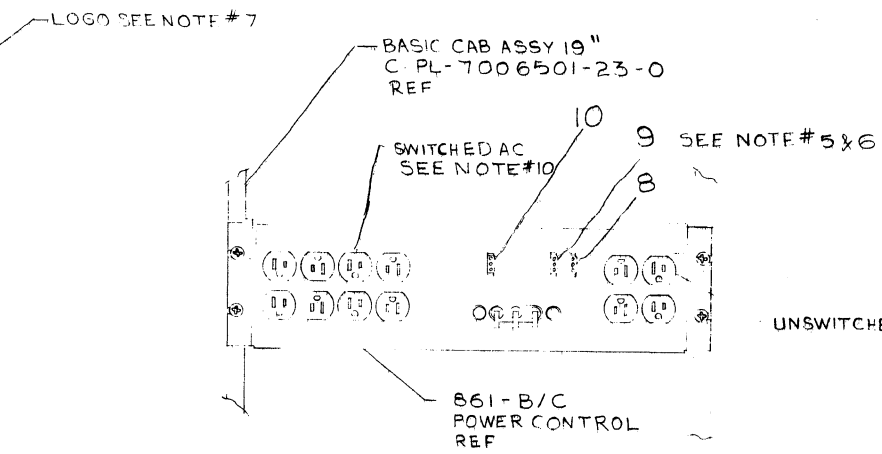
This drawing and specifications herein are the property of Digital Equipment Corporation and shall not be reproduced or copied or used in whole or in part as the basis for the manufacture or sale of items without written permission.

REV. 1  
 132  
 133  
 134  
 135  
 136  
 137  
 138  
 139  
 140  
 141  
 142  
 143  
 144  
 145  
 146  
 147  
 148  
 149  
 150  
 151  
 152  
 153  
 154  
 155  
 156  
 157  
 158  
 159  
 160  
 161  
 162  
 163  
 164  
 165  
 166  
 167  
 168  
 169  
 170  
 171  
 172  
 173  
 174  
 175  
 176  
 177  
 178  
 179  
 180  
 181  
 182  
 183  
 184  
 185  
 186  
 187  
 188  
 189  
 190  
 191  
 192  
 193  
 194  
 195  
 196  
 197  
 198  
 199  
 200

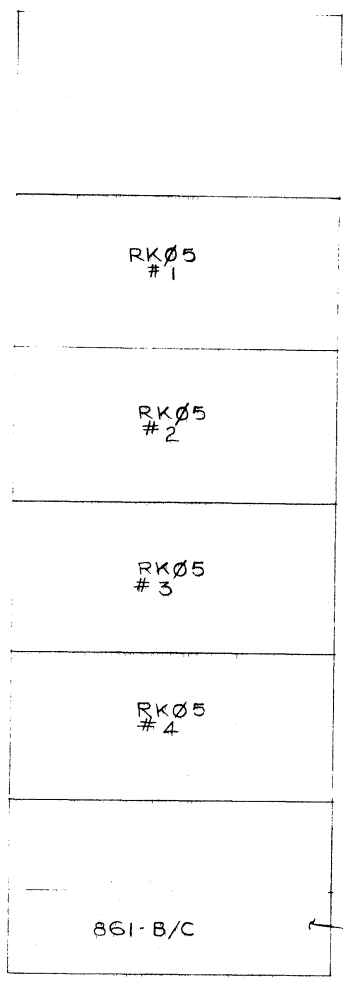
BASIC CABINET ASSY 19"  
 C-PL-7006501-23-0  
 DRG-PL 7006501-31-0



FRONT VIEW



DETAIL "A"  
 NOT TO SCALE



REAR VIEW

**CONFIGURATION WITH 861 POWER CONTROL**

FIRST USED ON OPTION/MODEL	QTY.	DESCRIPTION	PART NO.	ITEM NO.
PARTS LIST				
UNLESS OTHERWISE SPECIFIED DIMENSION IN INCHES. TOLERANCES	DRN: <i>[Signature]</i>	DATE: 7-10-72	<b>digital</b> EQUIPMENT CORPORATION MAYNARD, MASSACHUSETTS	
DECIMALS: .XXX = .005, .XX = .02, X = .1	CHK'D: <i>[Signature]</i>	DATE: 7-10-72		
ANGLES: ±0° 30'	ENG. E. SIMMONS	DATE: 7-12-72	TITLE RK05 OPTION CONFIGURATION	
REMOVE BURRS AND BREAK SHARP CORNERS SURFACE QUALITY ✓	PROJ. ENG. E. SIMMONS	DATE: 7-12-72		
MATERIAL	PROD. A. KARLSBERG	DATE: 7-31-72	SIZE CODE: D NUMBER: RK05-0-15 REV. B	
FINISH	NEXT HIGHER ASSY.	SCALE: #		
SHEET 2 OF 3		DIST. _____		

BRUNING 40.07 15868  
 REVISIONS  
 CHANGE NO.  
 REV.  
 CHK

REV. B  
 NUMBER  
 DCC RK05-0-15

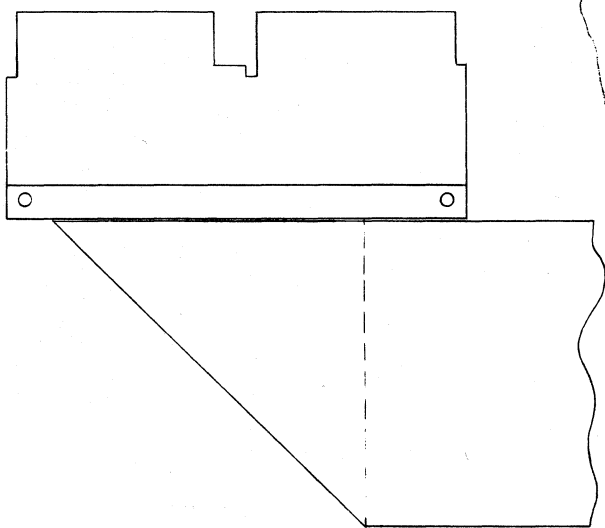
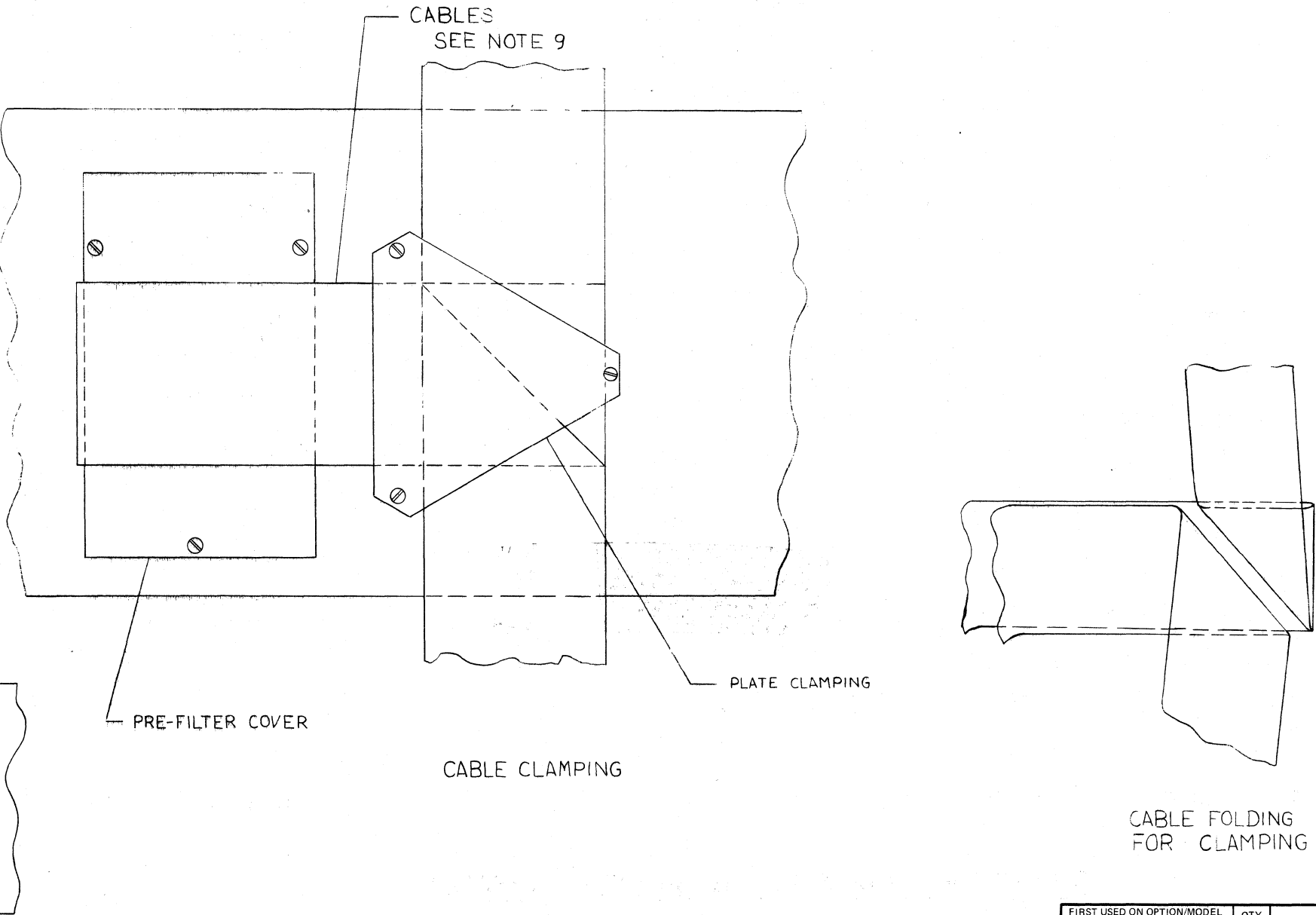
This drawing and specifications herein are the property of Digital Equipment Corporation and shall not be reproduced or copied or used in whole or in part as the basis for the manufacture or sale of items without written permission.

POWER CORD CONNECTIONS WITH 860 POWER CONTROL	
FROM	TO
RK05 #1	AC RECEPTACLE #1 TOP PLUG
RK05 #2	AC RECEPTACLE #2 TOP PLUG
RK05 #3	AC RECEPTACLE #2 BOTTOM PLUG
RK05 #4	AC RECEPTACLE #1 BOTTOM PLUG

BUS CABLE CONNECTIONS					
FROM		TO		CABLE	REMARKS
DEVICE	LOCATION	DEVICE	LOCATION		
DISK CONTROL	A/R	RK05 #1	ABB	BC11A	LENGTH A/R
RK05 #1	AB7	RK05 #2	AB7	BC1A-6	
RK05 #2	ABB	RK05 #3	ABB	BC1A-6	
RK05 #3	AB7	RK05 #4	AB7	BC1A-6	
RK05 #4	ABB			M93P	MIDDLE

860 POWER CONNECTIONS				
AWG	COLOR	FROM	TO	REMARKS
10	BLK	860-PT1*RECP	#1-1	SEE VIEW B-B
TWP	WHT	860-PT2*	#1-2	
	RED	860-PT3*	#1-3	
10	BLK	860-PT4*	#2-1	SEE VIEW B-B
TWP	WHT	860-PT5*	#2-2	
	RED	860-PT6*RECP	#2-3	

\*(ASTERISK) INDICATES WIRE POINTS ON 860 POWER CONTROL MARKED WITH BRADY MARKERS.



FIRST USED ON OPTION/MODEL	QTY.	DESCRIPTION	PART NO.	ITEM NO.	
PARTS LIST					
UNLESS OTHERWISE SPECIFIED DIMENSION IN INCHES. TOLERANCES	DRN. <i>[Signature]</i> DATE 7/19/72	CHK'D. <i>[Signature]</i> DATE 6/11/72	<b>digital</b> EQUIPMENT CORPORATION MAYNARD, MASSACHUSETTS TITLE RK05 OPTION CONFIGURATION		
DECIMALS .XXX = .005 .XX = .02 .X = .1	ANGLS ±0° 30'	ENG. <i>[Signature]</i> DATE 7-12-72			PRG. ENG. <i>[Signature]</i> DATE 7-12-72
REMOVE BURRS AND BREAK SHARP CORNERS SURFACE QUALITY	PROD. <i>[Signature]</i> DATE 7-12-72	NEXT HIGHER ASSY.			
MATERIAL	SCALE	SIZE CODE			NUMBER
FINISH	SHEET 3 OF 3	DIST.	REV. B		

REV.	CHANGE NO.

This drawing and specifications, herein, are the property of Digital Equipment Corporation and shall not be reproduced or copied or used in whole or in part as the basis for the manufacture or sale of items without written permission.

RK11-D B2	OFF	OFF	U1	OFF	OUT BUFF FULL	IN BUFF FULL	FILE EMPTY	FILE FULL	D1	RKDA 04	RKDA 00
	OFF	A1	OFF	HE	WT OR RDCK	WT GATE	RKDA 11	RKDA 08	RKDA 05	RKDA 01	
				RD OR RDCK	WT GATE	RKDA 12	RKDA 09	RKDA 06	RKDA 02		
				CNTL RDY	WC OVF	R1	RKDA 10	RKDA 07	RKDA 03		

FIRST USED ON OUT / MOD

RK11-D

REVISIONS	CHANGE NO.	REV.

CHK	REV.

SPEC # 7200100-14 (BLACK)

DRN. D. Mattson	DATE 6/2/72	<b>digital</b> EQUIPMENT CORPORATION MAYNARD, MASSACHUSETTS
CHK'D. Bw	DATE 6/1/72	
ENG. S. A. C.	DATE 6/1/72	TITLE MAINTENANCE MODULE OVERLAY (RK11-D)
PROJ. ENG.	DATE	
PROB 1/1/72	DATE 6/6/72	
NEXT HIGHER ASSY 0-MD-5509081-0-0		
SCALE	SIZE CODE A 55	NUMBER 5509081-0-11
SHEET	OF	REV.
DIST.		

DIGITAL EQUIPMENT CORPORATION  
MAYNARD, MASSACHUSETTS

ACCESSORY LIST

LEGEND

D DOCUMENT  
DN DOCUMENT CHANGE NOTICE  
PA PAPER TAPE ASCII  
PB PAPER TAPE BINARY  
PM PAPER TAPE READ-IN-MODE

QUANTITY / VARIATION

MADE BY <i>[Signature]</i>	CHECKED <i>[Signature]</i>	SECTION
DATE 12/15/72	DATE	
ENG <i>[Signature]</i>	PROD <i>R. Donley</i>	ISSUED SECT.
DATE 1/11/73	DATE 12/13/72	

ITEM NO.	DWG NO. / PART NO.	DESCRIPTION	QUANTITY / VARIATION						KIT CHECK	BY	DATE	INSTALLATION CHECK	BY	DATE
			RK11-D	RK11-E										
1	See variations	Complete print set	1	1										
2	DEC-11-HRKDA-A D	Manual, RK11-D,E	1	1										
3	LIBKIT-11-RK11-0	Sealed software kit	1	1										
4	MAINDEC-11-DZQGA-B-D	GTP write-up (Field add-on only)	1	1										
5	MAINDEC-11-DZQGA-B-PB	GTP binary tape (Field add-on only)	1	1										
6	M920	UNIBUS jumper	1	1										
7	BC11-A-15	15 foot UNIBUS cable	1	1										
8	A-SS-5509081-11	Transparent overlay to KM11-A												

TITLE MOVING HEAD DISK CONTROL RK11-D,E	ASSY. NO.	SIZE	CODE	NUMBER RK11-D-6	REV.	ECO NO.
		A	AL			
SHEET 1 OF		DIST.				

**DIGITAL EQUIPMENT CORPORATION**  
MAYNARD, MASSACHUSETTS  
**PARTS LIST**

MADE BY B. VOWLES	CHECKED T. ORR	SECTION
DATE 10/11/72	DATE 11/11/72	
ENG T. ORR	PROD R. DOOLEY	ISSUED SECT.
DATE 11/11/72	DATE 12/13/72	

QUANTITY / VARIATION

ITEM NO.	DWG NO. / PART NO.	DESCRIPTION	QUANTITY / VARIATION																	
			RK11-C	RK11-D	RK11-E															
1	MAINDEC-11-DZRKA-D	RK11 DISK STATIC TEST - WRITE UP	1	1	1															
2	MAINDEC-11-DZRKA-PB	RK11 STATIC TEST BINARY TAPE	1	1	1															
3	MAINDEC-11-DZRKB-D	RK11 DATA TEST WRITE UP	1	1	1															
4	MAINDEC-11-DZRKB-PB	RK11 DATA TEST BINARY TAPE	1	1	1															
5	MAINDEC-11-DZRKC-A-D	RK11 RANDOM EXERCISOR WRITE UP	1	1	1															
6	MAINDEC-11-DZRKC-A-PB	RK11 RANDOM EXERCISOR BINARY TAPE	1	1	1															
7	MAINDEC-11-DZRKD-A-D	BASIC LOGIC TEST WRITE UP	1	1	1															
8	MAINDEC-11-DZRKD-PB	BASIC LOGIC TEST BINARY TAPE	1	1	1															
9	MAINDEC-11-DZRKF-A-D	RK11/RK05 DYNAMIC TEST WRITE UP	1	1	1															
10	MAINDEC-11-DZRKF-PB	RK11/RK05 DYNAMIC TEST BINARY TAPE	1	1	1															
11	MAINDEC-11-DZRKH-A-D	RK11/RK05 PERFORMANCE EXERCISER WRITE UP	1	1	1															
12	MAINDEC-11-DZRKH-PB	RK11/RK05 PERFORMANCE EXERCISER BINARY TAPE																		
			1	1	1															
13	MAINDEC-11-DZRKI-A-D	UTILITY PACKAGE WRITE UP	1	1	1															
14	MAINDEC-11-DZRKI-PB	UTILITY PACKAGE BINARY TAPE	1	1	1															

TITLE MOVING HEAD DISK CONTROL RK11-D-E	ASSY NO.	SIZE <b>A</b>	CODE <b>PL</b>	NUMBER RK11-D-7	REV. <b>A</b>	ECO NO. RK11-D-00017
	SHEET   OF	DIST.				





This drawing and specifications, herein, are the property of Digital Equipment Corporation and shall not be reproduced or copied or used in whole or in part as the basis for the manufacture or sale of items without written permission. 197-

REV. H  
NUMBER  
SIZE CODE K WL  
RKII-D-2

REV. NO.		REV.	DESCRIPTION	DATE
8	8	8	Beasley 12-4-72	
7	7	7	T. ORR	
6	6	6	RKIID-00005	12/7/72
5	5	5	B. Blodgett 4-3-73	
4	4	4	T. ORR	
3	3	3	RKIID-00009	4/6/73
2	2	2	E. Allain 9-26-73	
1	1	1	T. ORR	
0	0	0	RKIID-00011	9-28-73
			J. Charbon 11-12-73	
			ORR	
			RKIID-00013	1/24/74
			S. Manassis 2-5-74	
			T. ORR	
			RKIID-00015	
			J. Charbon 4-30-74	
			T. ORR	
			RKIID-00019	5/1/74

FIRST USED ON OPTION MODEL	QTY.	DESCRIPTION	PART NO.	ITEM NO.
RKII-D				

DRN.	DATE	<b>digital</b> EQUIPMENT CORPORATION MAYNARD, MASSACHUSETTS
B. Wilson	9/2-72	
CHK'D.	DATE	
ENG.	DATE	
PROJ. ENG.	DATE	
PROD.	DATE	
NEXT HIGHER ASSEMBLY		<b>ETCH/WIRE LIST</b> (RKII-D)
C-1A-7009142-0-0		
SCALE	+	

SIZE CODE	NUMBER	REV.
K WL	RKII-D-2	H

SHEET	OF	DIST.
1	1	



RK110.H RUN NAME	A/F	PIN NAME	ORDER PIN	RAY - ORDER	Q	DRAW OPT	RV	RG	Y	X	Z	REMARKS	15:16 NC LENGTH FLAG	PAGE 2 EXCEPTIONS	RUN NUMBER
BG 5 IN	H	B01R1		1-01 *	H		D02				1		4-3/8		7
BG 5 IN	H	C01P2		1-02 *			D01								7
BG 5 IN	H			1									4-3/8 1400000000		7
BG 5 OUT	H	B04R1		1-01 *	H		D02				1		5-5/8		8
BG 5 OUT	H	C01P2		1-02 *			D01								8
BG 5 OUT	H			1									5-5/8 1400000000		8
BG 6 IN	H	B01A1		1-01 *	H		D02				1		4-3/8		9
BG 6 IN	H	C01M2		1-02 *			D01								9
BG 6 IN	H			1									4-3/8 1400000000		9
BG 6 OUT	H	B04A1		1-01 *	H		D02				1		5-3/8		10
BG 6 OUT	H	C01N2		1-02 *			D01								10
BG 6 OUT	H			1									5-3/8 1400000000		10
BG 7 IN	H	B01V1		1-01 *	H		D02				1		4-5/8		11
BG 7 IN	H	C01K2		1-02 *			D01								11
BG 7 IN	H			1									4-5/8 1400000000		11
BG 7 OUT	H	B04V1		1-01 *	H		D02				1		5-7/8		12
BG 7 OUT	H	C01L2		1-02 *			D01								12
BG 7 OUT	H			1									5-7/8 1400000000		12
BG IN	H	C01V2		1-01 *	P		D01				1		2		13
BG IN	H	C04V2		1-02 *	P		D01								13
BG IN	H			1									2-0/8 1400000000		13
BG OUT	H	C01U2		1-01 *	P		D01				1		2		14
BG OUT	H	C04U2		1-02 *	P		D01								14
BG OUT	H			1									2-0/8 1400000000		14
BR OUT	L	C01J2		1-01 *	P		D01				1		2		15
BR OUT	L	C04J2		1-02 *	P		D01								15
BR OUT	L			1									2-0/8 1400000000		15
BUS A00	L	B01H2		1-01 *	P		D02				2		2		16
BUS A00	L	B04H2		1-02 *			D02				1		5-3/8		16
BUS A00	L	C04D1		1-03 *			D01								16
BUS A00	L			1									7-3/8 1400000000		16
BUS A01	L	B01H1		1-01 *	P		D02				2		2		17
BUS A01	L	B04H1		1-02 *			D02				1		4-3/8		17
BUS A01	L	C04T2		1-03 *			D01								17
BUS A01	L			1									6-3/8 1400000000		17
BUS A02	L	B01J2		1-01 *	P		D02				2		2		18
BUS A02	L	B04J2		1-02 *			D02				1		4-1/8		18
BUS A02	L	C04S1		1-03 *			D01								18
BUS A02	L			1									6-1/8 1400000000		18
BUS A03	L	B01J1		1-01 *	P		D02				2		2		19
BUS A03	L	B04J1		1-02 *			D02				1		3-6/8		19
BUS A03	L	C04P1		1-03 *			D01								19
BUS A03	L			1									5-6/8 1400000000		19

RK110.H RUN NAME	A/F	PIN NAME	ORDER PIN	RAY - ORDER	Q	DRAW OPT	RV	RG	Y	X	Z	REMARKS	15:16 NC LENGTH FLAG	PAGE 3 EXCEPTIONS	RUN NUMBER
BUS A04	L	B01K2		1-01 *	P		D02				2		2		20
BUS A04	L	B04K2		1-02 *			D02				1		3-5/8		20
BUS A04	L	C04P1		1-03 *			D01								20
BUS A04	L			1									5-5/8 1400000000		20
BUS A05	L	B01K1		1-01 *	P		D02				2		2		21
BUS A05	L	B04K1		1-02 *			D02				1		3-7/8		21
BUS A05	L	C04R2		1-03 *			D01								21
BUS A05	L			1									5-7/8 1400000000		21
BUS A06	L	B01L2		1-01 *	P		D02				2		2		22
BUS A06	L	B04L2		1-02 *			D02				1		3-1/8		22
BUS A06	L	C04M2		1-03 *			D01								22
BUS A06	L			1									5-1/8 1400000000		22
BUS A07	L	B01L1		1-01 *	P		D02				2		2		23
BUS A07	L	B04L1		1-02 *			D02				1		3		23
BUS A07	L	C04T1		1-03 *			D01								23
BUS A07	L			1									5-0/8 1400000000		23
BUS A08	L	B01M2		1-01 *	P		D02				2		2		24
BUS A08	L	B04M2		1-02 *			D02				1		2-7/8		24
BUS A08	L	C04K1		1-03 *			D01								24
BUS A08	L			1									4-7/8 1400000000		24
BUS A09	L	B01M1		1-01 *	P		D02				2		2		25
BUS A09	L	B04M1		1-02 *			D02				1		3-1/8		25
BUS A09	L	C04L2		1-03 *			D02								25
BUS A09	L			1									5-1/8 1400000000		25
BUS A10	L	B01N2		1-01 *	P		D02				2		2		26
BUS A10	L	B04N2		1-02 *			D02				1		2-3/8		26
BUS A10	L	C04H2		1-03 *			D01								26
BUS A10	L			1									4-3/8 1400000000		26
BUS A11	L	B01N1		1-01 *	P		D02				2		2		27
BUS A11	L	B04N1		1-02 *			D02				1		5		27
BUS A11	L	C04F1		1-03 *			D01								27
BUS A11	L			1									7-0/8 1400000000		27
BUS A12	L	B01P2		1-01 *	P		D02				2		2		28
BUS A12	L	B04P2		1-02 *			D02				1		2-1/8		28
BUS A12	L	C04F1		1-03 *			D01								28
BUS A12	L			1									4-1/8 1400000000		28
BUS A13	L	B01P1		1-01 *	P		D02				2		2		29
BUS A13	L	B04P1		1-02 *			D02				1		2-3/8		29
BUS A13	L	C04F2		1-03 *			D01								29
BUS A13	L			1									4-3/8 1400000000		29
BUS A14	L	B01R2		1-01 *	P		D02				1		2		30
BUS A14	L	B04R2		1-02 *			D02				2		1-5/8		30
BUS A14	L	C04B1		1-03 *			D01								30
BUS A14	L			1									3-5/8 1400000000		30

RK110.H RUN NAME	A/P	WPP2RR.V34(63)-1 PIN NAME	ORDER PIN	23-AUG-76 RAY - ORDER	Q	DRAW OPT	RV PG Y	X	Z	REMARKS	15116 NC LENGTH FLAG	PAGE 4 EXCEPTIONS	RUN NUMBER
BUS A15	L	B01R1		1-01 *	P		D02		2				31
BUS A15	L	B04R1		1-02 *			D02		1			5-5/8	31
BUS A15	L	D04P1		1-03 *			D01						31
BUS A15	L			1								7-5/8 1400000000	31
BUS A16	L	B01S2		1-01 *	P		D02		3				32
BUS A16	L	B04S2		1-02 *			D02		3				32
BUS A16	L	C04D1		1-03 *	P		D01		3				32
BUS A16	L	C01D1		1-04 *			D01						32
BUS A16	L			1								5-5/8 1400000000	32
BUS A17	L	B01S1		1-01 *	P		D02		3				33
BUS A17	L	B04S1		1-02 *			D02		3				33
BUS A17	L	C04E1		1-03 *	P		D01		3				33
BUS A17	L	C01E1		1-04 *			D01						33
BUS A17	L			1								5-6/8 1400000000	33
BUS AC 10	L	D02F1		1-01 *					1				34
BUS AC 10	L	B01F1		1-02 *	P				2				34
BUS AC 10	L	B04F1		1-03 *					1				34
BUS AC 10	L	A03R2		1-04 *									34
BUS AC 10	L			1								10-4/8 1400000000	34
BUS B05Y	L	A01P2		1-01 *	P		D02		2				35
BUS B05Y	L	A04P2		1-02 *	H		D02		1				35
BUS B05Y	L	B04P2		1-03 *			D01						35
BUS B05Y	L			1								13-0/8 1400000000	35
BUS B04	L	B04D2		1-01 *	P		D02		2				36
BUS B04	L	B01D2		1-02 *	H		D02		1				36
BUS B04	L	C01H2		1-03 *			D01						36
BUS B04	L			1								5-3/8 1400000000	36
BUS B05	L	B04C1		1-01 *	P				2				37
BUS B05	L	B01C1		1-02 *	H		D02		1				37
BUS B05	L	C01F2		1-03 *			D01						37
BUS B05	L			1								5-5/8 1400000000	37
BUS B06	L	A04D2		1-01 *	F		D02		2				38
BUS B06	L	A01D2		1-02 *	H		D02		1				38
BUS B06	L	C01E2		1-03 *			D01						38
BUS B06	L			1								6-2/8 1400000000	38
BUS B07	L	A04T2		1-01 *	P		D02		2				39
BUS B07	L	A01T2		1-02 *	H		D02		1				39
BUS B07	L	C01D2		1-03 *			D01						39
BUS B07	L			1								6-2/8 1400000000	39
BUS C01	L	B01D2		1-01 *	P		D02		2				40
BUS C01	L	B04D2		1-02 *	H		D02		1				40
BUS C01	L	D04C1		1-03 *			D01						40
BUS C01	L			1								6-1/8 1400000000	40

RK110.H RUN NAME	A/P	WPP2RR.V34(63)-1 PIN NAME	ORDER PIN	23-AUG-76 RAY - ORDER	Q	DRAW OPT	RV PG Y	X	Z	REMARKS	15116 NC LENGTH FLAG	PAGE 5 EXCEPTIONS	RUN NUMBER
BUS C01	L	B01T2		1-01 *	P		D02		2				41
BUS C01	L	B04T2		1-02 *	H		D02		1				41
BUS C01	L	B04R1		1-03 *			D01						41
BUS C01	L			1								10-1/8 1400000000	41
BUS C01	H	C04D1			P		D01					1-PIN RUN	42
BUS D03	L	A01C1		1-01 *	P		D02		2				43
BUS D03	L	A04C1		1-02 *			D02		1				43
BUS D03	L	C04D2		1-03 *			D01						43
BUS D03	L			1								8-1/8 1400000000	43
BUS D03 (1)	H	B01D2		1-01 *	P		D01		1				44
BUS D03 (1)	H	B03D2		1-02 *	F		D01		2				44
BUS D03 (1)	H	B04D2		1-03 *	F		D01						44
BUS D03 (1)	H			1								2-4/8 1400000000	44
BUS D01	L	A01D2		1-01 *	P		D02		2				45
BUS D01	L	A04D2		1-02 *			D02		1				45
BUS D01	L	C04C1		1-03 *			D01						45
BUS D01	L			1								7-7/8 1400000000	45
BUS D01 (1)	H	D01E2		1-01 *	P		D01		1				46
BUS D01 (1)	H	D03F2		1-02 *	P		D01		2				46
BUS D01 (1)	H	D04F2		1-03 *	P		D01						46
BUS D01 (1)	H			1								2-4/8 1400000000	46
BUS D02	L	A01D1		1-01 *	P		D02		2				47
BUS D02	L	A04D1		1-02 *			D02		1				47
BUS D02	L	C04E2		1-03 *			D01						47
BUS D02	L			1								7-7/8 1400000000	47
BUS D02 (1)	H	D01F2		1-01 *	P		D01		1				48
BUS D02 (1)	H	D03F2		1-02 *	P		D01		2				48
BUS D02 (1)	H	D04F2		1-03 *	P		D01						48
BUS D02 (1)	H			1								2-4/8 1400000000	48
BUS D03	L	A01E2		1-01 *	P		D02		2				49
BUS D03	L	A04E2		1-02 *			D02		1				49
BUS D03	L	D04E1		1-03 *			D01						49
BUS D03	L			1								10-5/8 1400000000	49
BUS D03 (1)	H	D01H2		1-01 *	P		D01		1				50
BUS D03 (1)	H	D03H2		1-02 *	P		D01		2				50
BUS D03 (1)	H	D04H2		1-03 *	P		D01						50
BUS D03 (1)	H			1								2-4/8 1400000000	50
BUS D04	L	A01E1		1-01 *	P		D02		2				51
BUS D04	L	A04E1		1-02 *			D02		1				51
BUS D04	L	D04R1		1-03 *			D01						51
BUS D04	L			1								11-5/8 1400000000	51
BUS D04 (1)	H	D01J2		1-01 *	F		D01		1				52
BUS D04 (1)	H	D03J2		1-02 *	P		D01		2				52
BUS D04 (1)	H	D04J2		1-03 *	P		D01						52
BUS D04 (1)	H			1								2-4/8 1400000000	52





RK110.H RUN NAME	A/P	PIN NAME	ORDER PIN	BAY - ORDER	Q	DRAW OPT	RV	RG	Y	X	Z	REMARKS	15116 NC LENGTH FLAG	PAGE 10 EXCEPTIONS	RUN NUMBER
DR BUS CYL ADD 3	L	A02C1		1-01 *			D02				1		5-6/8		100
DR BUS CYL ADD 3	L	C02C1		1-02 *			D01								100
DR BUS CYL ADD 3	L			1									5-6/8	1400000000	100
DR BUS CYL ADD 4	L	A02F1		1-01 *			D02				1		5-6/8		101
DR BUS CYL ADD 4	L	C02F1		1-02 *			D01								101
DR BUS CYL ADD 4	L			1									5-6/8	1400000000	101
DR BUS CYL ADD 5	L	A02J1		1-01 *			D02				1		5-6/8		102
DR BUS CYL ADD 5	L	C02J1		1-02 *			D01								102
DR BUS CYL ADD 5	L			1									5-6/8	1400000000	102
DR BUS CYL ADD 6	L	A02E1		1-01 *			D02				1		5-6/8		103
DR BUS CYL ADD 6	L	C02E1		1-02 *			D01								103
DR BUS CYL ADD 6	L			1									5-6/8	1400000000	103
DR BUS CYL ADD 7	L	A02H1		1-01 *			D02				1		5-6/8		104
DR BUS CYL ADD 7	L	C02H1		1-02 *			D01								104
DR BUS CYL ADD 7	L			1									5-6/8	1400000000	104
DR BUS CYL ADD 8	L	A02B1		1-01 *			D02				1		5-6/8		105
DR BUS CYL ADD 8	L	C02B1		1-02 *			D01								105
DR BUS CYL ADD 8	L			1									5-6/8	1400000000	105
DR BUS DC LO	L	C01R2		1-01 *							2		2-7/8		106
DR BUS DC LO	L	A02F2		1-02 *			D02				1		5-6/8		106
DR BUS DC LO	L	D02F2		1-03 *			D01								106
DR BUS DC LO	L			1									8-5/8	1400000000	106
DR BUS DRY	L	A02N1		1-01 *			D02				1		5-6/8		107
DR BUS DRY	L	D02N1		1-02 *			D01								107
DR BUS DRY	L			1									5-6/8	1400000000	107
DR BUS INDX PLS	L	F02M1		1-01 *			D02				1		5-6/8		108
DR BUS INDX PLS	L	D02M1		1-02 *			D01								108
DR BUS INDX PLS	L			1									5-6/8	1400000000	108
DR BUS LOG ADD INT	L	A02T2		1-01 *			D02				1		7-1/8		109
DR BUS LOG ADD INT	L	D02D1		1-02 *			D01								109
DR BUS LOG ADD INT	L			1									7-1/8	1400000000	109
DR BUS F/W/S RDY	L	A02H2		1-01 *			D02				1		5-6/8		110
DR BUS F/W/S RDY	L	C02H2		1-02 *			D01								110
DR BUS F/W/S RDY	L			1									5-6/8	1400000000	110
DR BUS FD CLK	L	A02S1		1-01 *			D02				1		5-6/8		111
DR BUS FD CLK	L	D02S1		1-02 *			D01								111
DR BUS FD CLK	L			1									5-6/8	1400000000	111
DR BUS FD DATA	L	A02S2		1-01 *			D02				1		5-6/8		112
DR BUS FD DATA	L	D02S2		1-02 *			D01								112
DR BUS FD DATA	L			1									5-6/8	1400000000	112

RK110.H RUN NAME	A/P	PIN NAME	ORDER PIN	BAY - ORDER	Q	DRAW OPT	RV	RG	Y	X	Z	REMARKS	15116 NC LENGTH FLAG	PAGE 11 EXCEPTIONS	RUN NUMBER
DR BUS FD GATE	L	A02R1		1-01 *			D02				1		5-6/8		113
DR BUS FD GATE	L	D02R1		1-02 *			D01								113
DR BUS FD GATE	L			1									5-6/8	1400000000	113
DR BUS FE STORE	L	A02M1		1-01 *			D02				1		5-6/8		114
DR BUS FE STORE	L	C02M1		1-02 *			D01								114
DR BUS FE STORE	L			1									5-6/8	1400000000	114
DR BUS FK05	L	A02P2		1-01 *			D02				1		5-6/8		115
DR BUS FK05	L	D02P2		1-02 *			D01								115
DR BUS FK05	L			1									5-6/8	1400000000	115
DR BUS SEC CNTR 0	L	A02L1		1-01 *			D02				1		5-6/8		116
DR BUS SEC CNTR 0	L	D02L1		1-02 *			D01								116
DR BUS SEC CNTR 0	L			1									5-6/8	1400000000	116
DR BUS SEC CNTR 1	L	A02P2		1-01 *			D02				1		7-1/8		117
DR BUS SEC CNTR 1	L	D02A1		1-02 *			D01								117
DR BUS SEC CNTR 1	L			1									7-1/8	1400000000	117
DR BUS SEC CNTR 2	L	A02K2		1-01 *			D02				1		5-6/8		118
DR BUS SEC CNTR 2	L	D02K2		1-02 *			D01								118
DR BUS SEC CNTR 2	L			1									5-6/8	1400000000	118
DR BUS SEC CNTR 3	L	A02J1		1-01 *			D02				1		5-6/8		119
DR BUS SEC CNTR 3	L	D02J1		1-02 *			D01								119
DR BUS SEC CNTR 3	L			1									5-6/8	1400000000	119
DR BUS SEC PLS	L	A02N2		1-01 *			D02				1		5-6/8		120
DR BUS SEC PLS	L	D02N2		1-02 *			D01								120
DR BUS SEC PLS	L			1									5-6/8	1400000000	120
DR BUS SEL DR 0	L	A02J2		1-01 *			D02				1		5-6/8		121
DR BUS SEL DR 0	L	C02J2		1-02 *			D01								121
DR BUS SEL DR 0	L			1									5-6/8	1400000000	121
DR BUS SEL DR 1	L	A02K2		1-01 *			D02				1		5-6/8		122
DR BUS SEL DR 1	L	C02K2		1-02 *			D01								122
DR BUS SEL DR 1	L			1									5-6/8	1400000000	122
DR BUS SEL DR 2	L	A02L2		1-01 *			D02				1		5-6/8		123
DR BUS SEL DR 2	L	C02L2		1-02 *			D01								123
DR BUS SEL DR 2	L			1									5-6/8	1400000000	123
DR BUS SEL UPPER HD	L	A02M2		1-01 *			D02				1		5-6/8		124
DR BUS SEL UPPER HD	L	D02M2		1-02 *			D01								124
DR BUS SEL UPPER HD	L			1									5-6/8	1400000000	124
DR BUS SIN	L	A02S2		1-01 *			D02				1		7-1/8		125
DR BUS SIN	L	D02C1		1-02 *											125
DR BUS SIN	L			1									7-1/8	1400000000	125
DR BUS STROBE	L	A02H1		1-01 *			D02				1		5-6/8		126
DR BUS STROBE	L	D02H1		1-02 *			D01								126
DR BUS STROBE	L			1									5-6/8	1400000000	126





RP110,H RUN NAME	*PP288,V34(63)-1 A/P PIN NAME	23-AUG-76 ORDER PIN	BAY - ORDER	Q	DRAW RV RG Y OPT	X	Z	REMARKS	1=Nov-76	15116 NC LENGTH FLAG	PAGE 14 EXCEPTIONS	RUN NUMBER
GND 02	A02H2	1-01	*	P	D02		2			0-1/8		148
GND 02	A02C2	1-02	*	P	D02		1			1-5/8		148
GND 02	A02N1	1-03	*	P	D02		2			0-1/8		148
GND 02	A02P1	1-04	*	P	D02		1			0-1/8		148
GND 02	A02R1	1-05	*	P	D02		2			0-1/8		148
GND 02	A02S1	1-06	*	P	D02		1			0-1/8		148
GND 02	A02T1	1-07	*	P	D02		2			0-4/8		148
GND 02	A02V2	1-08	*	P	D02		1			0-5/8		148
GND 02	A02U1	1-09	*	P			2			1-5/8		148
GND 02	B02B2	1-10	*	P	D02		1			0-1/8		148
GND 02	B02C2	1-11	*	P	D02		2			0-1/8		148
GND 02	B02D1	1-12	*	P	D02		1			0-1/8		148
GND 02	B02E1	1-13	*	P	D02		2			1-7/8		148
GND 02	B02T1	1-14	*	P	D02		1			0-4/8		148
GND 02	B02V2	1-15	*	P	D02		2			1-1/8		148
GND 02	C02C2	1-16	*	P	D01		1			2-1/8		148
GND 02	C02T1	1-17	*	P	D01		2			1-5/8		148
GND 02	D02C2	1-18	*	P	D01		1			2-1/8		148
GND 02	D02T1	1-19	*	P	D01		2			1-3/8		148
GND 02	E02C2	1-20	*	P	D01		1			2-1/8		148
GND 02	E02T1	1-21	*	P	D01		2			1-5/8		148
GND 02	F02C2	1-22	*	P	D01		1			2-1/8		148
GND 02	F02T1	1-23	*	P	D01							148
GND 02		1								22-0/8	1400000000	148
GND 03	A03C2	1-01	*	P	D02		1			0-1/8		149
GND 03	A03D2	1-02	*	P	D02		2			0-1/8		149
GND 03	A03E2	1-03	*	P	D02		1			0-1/8		149
GND 03	A03F2	1-04	*	P	D02		2			1-3/8		149
GND 03	A03N1	1-05	*	P	D02		1			0-1/8		149
GND 03	A03P1	1-06	*	P	D02		2			0-1/8		149
GND 03	A03R1	1-07	*	P	D02		1			0-1/8		149
GND 03	A03S1	1-08	*	P	D02		2			0-1/8		149
GND 03	A03T1	1-09	*	P	D02		1			0-1/8		149
GND 03	A03U1	1-10	*	P	D02		2			0-1/8		149
GND 03	A03V1	1-11	*	P			1			1-3/8		149
GND 03	A03C2	1-12	*	P	D02		2			2-1/8		149
GND 03	B03T1	1-13	*	P	D02		1			1-3/8		149
GND 03	C03C2	1-14	*	P	D01		2			2-1/8		149
GND 03	C03T1	1-15	*	P	D01		1			1-5/8		149
GND 03	D03C2	1-16	*	P	D01		2			2-1/8		149
GND 03	D03T1	1-17	*	P	D01		1			1-3/8		149
GND 03	E03C2	1-18	*	P	D01		2			2-1/8		149
GND 03	E03T1	1-19	*	P	D01		1			1-5/8		149
GND 03	F03C2	1-20	*	P	D01		2			2-1/8		149
GND 03	F03T1	1-21	*	P	D01							149
GND 03		1								20-4/8	1400000000	149

RP110,H RUN NAME	*PP288,V34(63)-1 A/P PIN NAME	23-AUG-76 ORDER PIN	BAY - ORDER	Q	DRAW RV RG Y OPT	X	Z	REMARKS	1=Nov-76	15116 NC LENGTH FLAG	PAGE 15 EXCEPTIONS	RUN NUMBER
GND 04	A04B2	1-01	*	P	D02		1			0-1/8		150
GND 04	A04C2	1-02	*	P	D02		2			1-5/8		150
GND 04	A04N1	1-03	*	P	D02		1			0-1/8		150
GND 04	A04P1	1-04	*	P	D02		2			0-1/8		150
GND 04	A04R1	1-05	*	P	D02		1			0-1/8		150
GND 04	A04S1	1-06	*	P	D02		2			0-1/8		150
GND 04	A04T1	1-07	*	P	D02		1			0-4/8		150
GND 04	A04V2	1-08	*	P	D02		2			1-2/8		150
GND 04	B04B2	1-09	*	P	D02		1			0-1/8		150
GND 04	B04C2	1-10	*	P	D02		2			0-1/8		150
GND 04	B04D1	1-11	*	P	D02		1			0-1/8		150
GND 04	B04E1	1-12	*	P	D02		2			1-7/8		150
GND 04	B04T1	1-13	*	P	D02		1			0-4/8		150
GND 04	F04V2	1-14	*	P	D02		2			1-1/8		150
GND 04	C04C2	1-15	*	P	D01		1			2-1/8		150
GND 04	C04T1	1-16	*	P	D01		2			1-5/8		150
GND 04	D04C2	1-17	*	P	D01		1			2-1/8		150
GND 04	D04T1	1-18	*	P	D01		2			1-3/8		150
GND 04	E04C2	1-19	*	P	D01		1			2-1/8		150
GND 04	E04T1	1-20	*	P	D01		2			1-5/8		150
GND 04	F04C2	1-21	*	P	D01		1			2-1/8		150
GND 04	F04T1	1-22	*	P	D01							150
GND 04		1								21-0/8	1400000000	150
HE (1)	H	A03E2	1-01	*	D02		1			12-5/8		151
HE (1)	H	F02T2	1-02	*	D01		2			1		151
HE (1)	H	F01T2	1-03	*	D01							151
HE (1)	H		1							13-5/8	1400000000	151
HEAD + CHK SUM	H	F01P2	1-01	*	D01		1			1		152
HEAD + CHK SUM	H	F02P2	1-02	*	D01							152
HEAD + CHK SUM	H		1							1-0/8	1400000000	152
HEAD OK (1)	L	F01U2	1-01	*	D01		1			1		153
HEAD OK (1)	L	F02U2	1-02	*	D01							153
HEAD OK (1)	L		1							1-0/8	1400000000	153
HEADER (1)	H	C01U1	1-01	*	D01		1			1-4/8		154
HEADER (1)	H	C03U1	1-02	*	D01							154
HEADER (1)	H		1							1-4/8	1400000000	154
IBA (0)	H	F01K2	1-01	*	D01		1			1-4/8		155
IBA (0)	H	F03K2	1-02	*	D01							155
IBA (0)	H		1							1-4/8	1400000000	155
ID 0 (1)	H	F01E1	1-01	*	D01		1			1		156
ID 0 (1)	H	F02E1	1-02	*	D01							156
ID 0 (1)	H		1							1-0/8	1400000000	156
ID 1 (1)	H	F01F1	1-01	*	D01		1			1		157
ID 1 (1)	H	F02F1	1-02	*	D01							157
ID 1 (1)	H		1							1-0/8	1400000000	157
ID 2 (1)	H	F01H1	1-01	*	D01		1			1		158
ID 2 (1)	H	F02H1	1-02	*	D01							158
ID 2 (1)	H		1							1-0/8	1400000000	158

WK110.H RUN NAME	A/P	PIN NAME	ORDER PIN	BAY - ORDER	Q	DRAW OPT	RV RG Y	X	Z	REMARKS	15116 NC LENGTH FLAG	PAGE 16 EXCEPTIONS	RUN NUMBER
IDE (1)	H	EW1A1		1-01 *	P		D01		1		1-5/8		159
IDE (1)	H	DW2V2		1-02 *	P		D01		2		1-2/8		159
IDE (1)	H	EW4A1		1-03 *	P		D01						159
IDE (1)	H			1							2-7/8	1400000000	159
ILLEGAL ADD	H	FW1K1		1-01 *	P		D01		1		1		160
ILLEGAL ADD	H	FW2K1		1-02 *	P		D01						160
ILLEGAL ADD	H			1							1-0/8	1400000000	160
IN BUFF FULL (1)	H	FW3J2		1-01 *			D02		1		3-1/8		161
IN BUFF FULL (1)	H	FW3K2		1-02 *									161
IN BUFF FULL (1)	H			1							3-1/8	1400000000	161
INIT	H	EW1T2		1-01 *	P		D01		2		1		162
INIT	H	EW2T2		1-02 *	P		D01		1		1		162
INIT	H	EW3T2		1-03 *	P		D01						162
INIT	H			1							2-0/8	1400000000	162
INIT	L	FW1A1		1-01 *	P		D01		2		1		163
INIT	L	FW2A1		1-02 *	P		D01		1		1		163
INIT	L	FW3A1		1-03 *	P		D01		2		1		163
INIT	L	FW4A1		1-04 *	P		D01						163
INIT	L			1							3-0/8	1400000000	163
INT BUS A00 (1)	H	DW1A1		1-01 *	P		D01		1		1-4/8		164
INT BUS A00 (1)	H	DW3A1		1-02 *	P		D01						164
INT BUS A00 (1)	H			1							1-4/8	1400000000	164
INT BUS A01 (1)	H	DW1B1		1-01 *	P		D01		1		1-4/8		165
INT BUS A01 (1)	H	DW3B1		1-02 *	P		D01						165
INT BUS A01 (1)	H			1							1-4/8	1400000000	165
INT BUS A02 (1)	H	DW1C1		1-01 *	P		D01		1		1-4/8		166
INT BUS A02 (1)	H	DW3C1		1-02 *	P		D01						166
INT BUS A02 (1)	H			1							1-4/8	1400000000	166
INT BUS A03 (1)	H	DW1D1		1-01 *	P		D01		1		1-4/8		167
INT BUS A03 (1)	H	DW3D1		1-02 *	P		D01						167
INT BUS A03 (1)	H			1							1-4/8	1400000000	167
INT BUS A04 (1)	H	DW1E1		1-01 *	P		D01		1		1-4/8		168
INT BUS A04 (1)	H	DW3E1		1-02 *	P		D01						168
INT BUS A04 (1)	H			1							1-4/8	1400000000	168
INT BUS A05 (1)	H	DW1F1		1-01 *	P		D01		1		1-4/8		169
INT BUS A05 (1)	H	DW3F1		1-02 *	P		D01						169
INT BUS A05 (1)	H			1							1-4/8	1400000000	169
INT BUS A06 (1)	H	DW1H1		1-01 *	P		D01		1		1-4/8		170
INT BUS A06 (1)	H	DW3H1		1-02 *	P		D01						170
INT BUS A06 (1)	H			1							1-4/8	1400000000	170
INT BUS A07 (1)	H	DW1J1		1-01 *	P		D01		1		1-4/8		171
INT BUS A07 (1)	H	DW3J1		1-02 *	P		D01						171
INT BUS A07 (1)	H			1							1-4/8	1400000000	171

WK110.H RUN NAME	A/P	PIN NAME	ORDER PIN	BAY - ORDER	Q	DRAW OPT	RV RG Y	X	Z	REMARKS	15116 NC LENGTH FLAG	PAGE 17 EXCEPTIONS	RUN NUMBER
INT BUS A08 (1)	H	DW1K1		1-01 *	P		D01		1		1-4/8		172
INT BUS A08 (1)	H	DW3K1		1-02 *	P		D01						172
INT BUS A08 (1)	H			1							1-4/8	1400000000	172
INT BUS A09 (1)	H	DW1L1		1-01 *	P		D01		1		1-4/8		173
INT BUS A09 (1)	H	DW3L1		1-02 *	P		D01						173
INT BUS A09 (1)	H			1							1-4/8	1400000000	173
INT BUS A10 (1)	H	DW1M1		1-01 *	P		D01		1		1-4/8		174
INT BUS A10 (1)	H	DW3M1		1-02 *	P		D01						174
INT BUS A10 (1)	H			1							1-4/8	1400000000	174
INT BUS A11 (1)	H	DW1N1		1-01 *	P		D01		1		1-4/8		175
INT BUS A11 (1)	H	DW3N1		1-02 *	P		D01						175
INT BUS A11 (1)	H			1							1-4/8	1400000000	175
INT BUS A12 (1)	H	DW1P1		1-01 *	P		D01		1		1-4/8		176
INT BUS A12 (1)	H	DW3P1		1-02 *	P		D01						176
INT BUS A12 (1)	H			1							1-3/8	1400000000	176
INT BUS A13 (1)	H	DW1R1		1-01 *	P		D01		1		1-4/8		177
INT BUS A13 (1)	H	DW3R1		1-02 *	P		D01						177
INT BUS A13 (1)	H			1							1-4/8	1400000000	177
INT BUS A14 (1)	H	DW1S1		1-01 *	P		D01		1		1-4/8		178
INT BUS A14 (1)	H	DW3S1		1-02 *	P		D01						178
INT BUS A14 (1)	H			1							1-4/8	1400000000	178
INT BUS A15 (1)	H	DW1U1		1-01 *	P		D02		1		1-4/8		179
INT BUS A15 (1)	H	DW3U1		1-02 *	P		D02						179
INT BUS A15 (1)	H			1							1-4/8	1400000000	179
INT BUS D00 (1)	H	FW3V2		1-01 *	P		D02		1		1		180
INT BUS D00 (1)	H	FW4V2		1-02 *	P		D02						180
INT BUS D00 (1)	H			1							1-0/8	1400000000	180
INT BUS D01 (1)	H	FW3U2		1-01 *	P		D02		1		1		181
INT BUS D01 (1)	H	FW4U2		1-02 *	P		D02						181
INT BUS D01 (1)	H			1							1-0/8	1400000000	181
INT BUS D02 (1)	H	FW3T2		1-01 *	P		D02		1		1		182
INT BUS D02 (1)	H	FW4T2		1-02 *	P		D02						182
INT BUS D02 (1)	H			1							1-0/8	1400000000	182
INT BUS D03 (1)	H	FW3S2		1-01 *	P		D02		1		1		183
INT BUS D03 (1)	H	FW4S2		1-02 *	P		D02						183
INT BUS D03 (1)	H			1							1-0/8	1400000000	183
INT BUS D04 (1)	H	FW3R2		1-01 *	P		D01		1		1		184
INT BUS D04 (1)	H	FW4R2		1-02 *	P		D01						184
INT BUS D04 (1)	H			1							1-0/8	1400000000	184
INT BUS D05 (1)	H	FW3P2		1-01 *	P		D01		1		1		185
INT BUS D05 (1)	H	FW4P2		1-02 *	P		D01						185
INT BUS D05 (1)	H			1							1-0/8	1400000000	185

RR110.H RUN NAME	A/P	PIN NAME	ORDER PIN	RAY - ORDER	Q	DRAW OPT	RV RG Y	X	Z	REMARKS	15:16 NC LENGTH EXCEPTIONS FLAG	PAGE 18	RUN NUMBER
INT BUS D26 (1)	H	F03N2		1-01 *	P		D01		1		1		186
INT BUS D26 (1)	H	F04N2		1-02 *	P		D01						186
INT BUS D26 (1)	H			1							1-0/8 1400000000		186
INT BUS D27 (1)	H	F03M2		1-01 *	P		D01		1		1		187
INT BUS D27 (1)	H	F04M2		1-02 *	P		D01						187
INT BUS D27 (1)	H			1							1-0/8 1400000000		187
INT BUS D28 (1)	H	F03L2		1-01 *	P		D01		1		1		188
INT BUS D28 (1)	H	F04L2		1-02 *	P		D01						188
INT BUS D28 (1)	H			1							1-0/8 1400000000		188
INT BUS D29 (1)	H	F03K2		1-01 *	P		D01		1		1		189
INT BUS D29 (1)	H	F04K2		1-02 *	P		D01						189
INT BUS D29 (1)	H			1							1-0/8 1400000000		189
INT BUS D10 (1)	H	F03J2		1-01 *	P		D01		1		1		190
INT BUS D10 (1)	H	F04J2		1-02 *	P		D01						190
INT BUS D10 (1)	H			1							1-0/8 1400000000		190
INT BUS D11 (1)	H	F03H2		1-01 *	P		D01		1		1		191
INT BUS D11 (1)	H	F04H2		1-02 *	P		D01						191
INT BUS D11 (1)	H			1							1-0/8 1400000000		191
INT BUS D12 (1)	H	F03F2		1-01 *	P		D01		1		1		192
INT BUS D12 (1)	H	F04F2		1-02 *	P		D01						192
INT BUS D12 (1)	H			1							1-0/8 1400000000		192
INT BUS D13 (1)	H	F03E2		1-01 *	P		D01		1		1		193
INT BUS D13 (1)	H	F04E2		1-02 *	P		D01						193
INT BUS D13 (1)	H			1							1-0/8 1400000000		193
INT BUS D14 (1)	H	F03D2		1-01 *	P		D01		1		1		194
INT BUS D14 (1)	H	F04D2		1-02 *	P		D01						194
INT BUS D14 (1)	H			1							1-0/8 1400000000		194
INT BUS D15 (1)	H	F03B1		1-01 *	P		D01		1		1		195
INT BUS D15 (1)	H	F04B1		1-02 *	P		D01						195
INT BUS D15 (1)	H			1							1-0/8 1400000000		195
LAST BIT	H	F01D2		1-01 *	P		D01		1		1		196
LAST BIT	H	F02D2		1-02 *	P		D01						196
LAST BIT	H			1							1-0/8 1400000000		196
LAST SECTOR	L	C02U2		1-01 *	P		D01		1		1		197
LAST SECTOR	L	C03U2		1-02 *	P		D01						197
LAST SECTOR	L			1							1-0/8 1400000000		197
LAST WORD DONE	L	C01L1		1-01 *	P		D01		1		1-4/8		198
LAST WORD DONE	L	C03L1		1-02 *	P		D01						198
LAST WORD DONE	L			1							1-4/8 1400000000		198
LOAD RKBA HI	L	F03V2		1-01 *	P		D01		1		1		199
LOAD RKBA HI	L	F04V2		1-02 *	P		D01						199
LOAD RKBA HI	L			1							1-0/8 1400000000		199

RR110.H RUN NAME	A/P	PIN NAME	ORDER PIN	RAY - ORDER	Q	DRAW OPT	RV RG Y	X	Z	REMARKS	15:16 NC LENGTH EXCEPTIONS FLAG	PAGE 19	RUN NUMBER
LOAD RKBA LO	L	F03H2		1-01 *	P		D01		1		1		200
LOAD RKBA LO	L	F04H2		1-02 *	P		D01						200
LOAD RKBA LO	L			1							1-0/8 1400000000		200
LOAD RKCS HI	L	F01L1		1-01 *	P		D01		1		2		201
LOAD RKCS HI	L	F04L1		1-02 *	P		D01						201
LOAD RKCS HI	L			1							2-0/8 1400000000		201
LOAD RKCS LO	L	F01M1		1-01 *	P		D01		1		2		202
LOAD RKCS LO	L	F04M1		1-02 *	P		D01						202
LOAD RKCS LO	L			1							2-0/8 1400000000		202
LOAD RKDA HI	L	F03E2		1-01 *	P		D01		1		1		203
LOAD RKDA HI	L	F04E2		1-02 *	P		D01						203
LOAD RKDA HI	L			1							1-0/8 1400000000		203
LOAD RKDA LO	L	F03F2		1-01 *	P		D01		1		1		204
LOAD RKDA LO	L	F04F2		1-02 *	P		D01						204
LOAD RKDA LO	L			1							1-0/8 1400000000		204
LOAD RKAC HI	L	F01B1		1-01 *	P		D01		1		2		205
LOAD RKAC HI	L	F04B1		1-02 *	P		D01						205
LOAD RKAC HI	L			1							2-0/8 1400000000		205
LOAD RKAC LO	L	F01F1		1-01 *	P		D01		1		2		206
LOAD RKAC LO	L	F04F1		1-02 *	P		D01						206
LOAD RKAC LO	L			1							2-0/8 1400000000		206
M CLK	L	F02U2		1-01 *					1		6-7/8		207
M CLK	L	D02D2		1-02 *									207
M CLK	L			1							6-7/8 1400000000		207
NEW FUN	L	C01R1		1-01 *	P		D01		2		1		208
NEW FUN	L	C02R1		1-02 *	P		D01		1		1		208
NEW FUN	L	C03R1		1-03 *	P		D01						208
NEW FUN	L			1							2-0/8 1400000000		208
NPR EN (1)	H	C03V2		1-01 *					1		5-1/8		209
NPR EN (1)	H	F04M2		1-02 *									209
NPR EN (1)	H			1							5-1/8 1400000000		209
NPR REQ	H	F03J2		1-01 *	P		D01		1		1		210
NPR REQ	H	F04J2		1-02 *	P		D01						210
NPR REQ	H			1							1-0/8 1400000000		210
NXM (1)	H	F01N1		1-01 *	P		D01		1		2		211
NXM (1)	H	F04N1		1-02 *	P		D01						211
NXM (1)	H			1							2-0/8 1400000000		211
OUT BUFF FULL (1)	H	F03L2		1-01 *			D02		1		3		212
OUT BUFF FULL (1)	H	C03L2		1-02 *									212
OUT BUFF FULL (1)	H			1							3-0/8 1400000000		212

WK110.H RUN NAME	A/P	WPP288.V34(63)-1 PIN NAME	23-AUG-76 ORDER PIN	BAY = ORDER	Q	DRAW OPT	RV RG Y	X	Z	REMARKS	1-NOV-76	15116 NC LENGTH FLAG	PAGE 20 EXCEPTIONS	RUN NUMBER
POLL DONE	L	FW1U1		1-01 *	P		D01		1					213
POLL DONE	L	FW2U1		1-02 *	P		D01							213
POLL DONE	L			1								1-0/8	1400000000	213
PREAMBLE (1)	H	FW1M2		1-01 *	P		D01		1					214
PREAMBLE (1)	H	FW2M2		1-02 *	P		D01							214
PREAMBLE (1)	H			1								1-0/8	1400000000	214
R/W/S RDY	H	FW1P2		1-01 *	P		D01		1					215
R/W/S RDY	H	FW2P2		1-02 *	P		D01							215
R/W/S RDY	H			1								1-0/8	1400000000	215
RD DATA=WT DATA	H	FW1M1		1-01 *	P		D01		1					216
RD DATA=WT DATA	H	FW2M1		1-02 *	P		D01							216
RD DATA=WT DATA	H			1								1-0/8	1400000000	216
RD GATE (1)	H	FW3F2		1-01 *			D02		1				7-3/8	217
RD GATE (1)	H	FW2T2		1-02 *										217
RD GATE (1)	H			1								7-3/8	1400000000	217
RD GATE EN	H	FW1J2		1-01 *	P		D01		1					218
RD GATE EN	H	FW2J2		1-02 *	P		D01							218
RD GATE EN	H			1								1-0/8	1400000000	218
RD HEADER (1)	H	FW1L1		1-01 *	P		D01		1					219
RD HEADER (1)	H	FW2L1		1-02 *	P		D01							219
RD HEADER (1)	H			1								1-0/8	1400000000	219
RD+RD CHK	H	FW3D2		1-01 *			D02		1				3-7/8	220
RD+RD CHK	H	FW3K1		1-02 *	P		D01		2				1-4/8	220
RD+RD CHK	H	FW1K1		1-03 *	P		D01							220
RD+RD CHK	H			1								5-3/8	1400000000	220
READ	H	FW1U1		1-01 *	P		D01		1				1-6/8	221
READ	H	FW3U2		1-02 *	P		D01		2				1	221
READ	H	FW4U2		1-03 *	P		D01							221
READ	H			1								2-6/8	1400000000	221
RK INT MASTER	H	FW2U1		1-01 *	P		D01		1				1-4/8	222
RK INT MASTER	H	FW3U1		1-02 *	P		D01							222
RK INT MASTER	H			1								1-4/8	1400000000	222
RK INT REQ	H	FW2K2		1-01 *	P		D01		1				1-4/8	223
RK INT REQ	H	FW4K2		1-02 *	P		D01							223
RK INT REQ	H			1								1-4/8	1400000000	223
RK VPR MASTER	H	FW3J2		1-01 *					1				5-5/8	224
RK VPR MASTER	H	FW4H1		1-02 *	P		D01		2				2	224
RK VPR MASTER	H	FW1H1		1-03 *	P		D01							224
RK VPR MASTER	H			1								7-5/8	1400000000	224
RK25	H	FW1C1		1-01 *	P		D01		1				1	225
RK25	H	FW2C1		1-02 *	P		D01							225
RK25	H			1								1-0/8	1400000000	225

WK110.H RUN NAME	A/P	WPP288.V34(63)-1 PIN NAME	23-AUG-76 ORDER PIN	BAY = ORDER	Q	DRAW OPT	RV RG Y	X	Z	REMARKS	1-NOV-76	15116 NC LENGTH FLAG	PAGE 21 EXCEPTIONS	RUN NUMBER
RKA 01 (1)	H	FW1K1		1-01 *	P		D01		2				2	226
RKA 01 (1)	H	FW4K1		1-02 *	P		D01		1				0-4/8	226
RKA 01 (1)	H	FW3M2		1-03 *			D01							226
RKA 01 (1)	H			1								2-4/8	1400000000	226
RKA 02 (1)	H	FW1J1		1-01 *	P		D01		1				2	227
RKA 02 (1)	H	FW4J1		1-02 *	P		D01		2				1	227
RKA 02 (1)	H	FW3N2		1-03 *			D01							227
RKA 02 (1)	H			1								3-0/8	1400000000	227
RKA 03 (1)	H	FW3V1		1-01 *	P		D01		1				1	228
RKA 03 (1)	H	FW4V1		1-02 *	P		D01							228
RKA 03 (1)	H			1								1-0/8	1400000000	228
RKBA 01 (1)	H	FW3C1		1-01 *	P		D01		1				1	229
RKBA 01 (1)	H	FW4C1		1-02 *	P		D01							229
RKBA 01 (1)	H			1								1-0/8	1400000000	229
RKBA 02 (1)	H	FW3D1		1-01 *	P		D01		1				1	230
RKBA 02 (1)	H	FW4D1		1-02 *	P		D01							230
RKBA 02 (1)	H			1								1-0/8	1400000000	230
RKBA 03 (1)	H	FW3E1		1-01 *	P		D01		1				1	231
RKBA 03 (1)	H	FW4E1		1-02 *	P		D01							231
RKBA 03 (1)	H			1								1-0/8	1400000000	231
RKBA 04 (1)	H	FW3F1		1-01 *	P		D01		1				1	232
RKBA 04 (1)	H	FW4F1		1-02 *	P		D01							232
RKBA 04 (1)	H			1								1-0/8	1400000000	232
RKBA 05 (1)	H	FW3H1		1-01 *	P		D01		1				1	233
RKBA 05 (1)	H	FW4H1		1-02 *	P		D01							233
RKBA 05 (1)	H			1								1-0/8	1400000000	233
RKBA 06 (1)	H	FW3J1		1-01 *	P		D01		1				1	234
RKBA 06 (1)	H	FW4J1		1-02 *	P		D01							234
RKBA 06 (1)	H			1								1-0/8	1400000000	234
RKBA 07 (1)	H	FW3K1		1-01 *	P		D01		1				1	235
RKBA 07 (1)	H	FW4K1		1-02 *	P		D01							235
RKBA 07 (1)	H			1								1-0/8	1400000000	235
RKBA 08 (1)	H	FW3L1		1-01 *	P		D01		1				1	236
RKBA 08 (1)	H	FW4L1		1-02 *	P		D01							236
RKBA 08 (1)	H			1								1-0/8	1400000000	236
RKBA 09 (1)	H	FW3M1		1-01 *	P		D01		1				1	237
RKBA 09 (1)	H	FW4M1		1-02 *	P		D01							237
RKBA 09 (1)	H			1								1-0/8	1400000000	237
RKBA 10 (1)	H	FW3N1		1-01 *	P		D01		1				1	238
RKBA 10 (1)	H	FW4N1		1-02 *	P		D01							238
RKBA 10 (1)	H			1								1-0/8	1400000000	238

RP110, H RUN NAME	A/P	PIN NAME	ORDER PIN	23-AUG-76 RAY - ORDER	Q	DRAW OPT	RV	RG	Y	X	Z	REMARKS	15116 NC LENGTH EXCEPTIONS FLAG	PAGE 22	RUN NUMBER
RKBA 11 (1)	H	EM3H1		1-01 * P			D01				1		1		239
RKBA 11 (1)	H	EM4P1		1-02 * P			D01								239
RKBA 11 (1)	H			1									1-0/8 1400000000		239
RKBA 12 (1)	H	EM3P1		1-01 * P			D01				1		1		240
RKBA 12 (1)	H	EM4P1		1-02 * P			D01								240
RKBA 12 (1)	H			1									1-0/8 1400000000		240
RKBA 13 (1)	H	EM3S1		1-01 * P			D01				1		1		241
RKBA 13 (1)	H	EM4S1		1-02 * P			D01								241
RKBA 13 (1)	H			1									1-0/8 1400000000		241
RKBA 14 (1)	H	EM3U1		1-01 * P			D01				1		1		242
RKBA 14 (1)	H	EM4U1		1-02 * P			D01								242
RKBA 14 (1)	H			1									1-0/8 1400000000		242
RKBA 15 (1)	H	EM3V1		1-01 * P			D01				1		1		243
RKBA 15 (1)	H	EM4V1		1-02 * P			D01								243
RKBA 15 (1)	H			1									1-0/8 1400000000		243
RKBA 0VF	L	EM1S1		1-01 * P			D01				1		1-6/8		244
RKBA 0VF	L	EM3S2		1-02 * P			D01								244
RKBA 0VF	L			1									1-6/8 1400000000		244
RKDA 00 (1)	H	EM3P2		1-01 *			D02				1		6-7/8		245
RKDA 04 (1)	H	EM3A1		1-02 * P			D01				2		1		245
RKDA 04 (1)	H	EM2A1		1-03 * P			D01								245
RKDA 04 (1)	H			1									7-7/8 1400000000		245
RKDA 01 (1)	H	EM3V1		1-01 *			D02				1		6-2/8		246
RKDA 01 (1)	H	EM3R1		1-02 * P			D01				2		1		246
RKDA 01 (1)	H	EM2R1		1-03 * P			D01								246
RKDA 01 (1)	H			1									7-2/8 1400000000		246
RKDA 02 (1)	H	EM3M1		1-01 *			D02				1		7-1/8		247
RKDA 02 (1)	H	EM3C1		1-02 * P			D01				2		1		247
RKDA 02 (1)	H	EM2C1		1-03 * P			D01				1		1		247
RKDA 02 (1)	H	EM1C1		1-04 * P			D01								247
RKDA 02 (1)	H			1									9-1/8 1400000000		247
RKDA 03 (1)	H	EM3K2		1-01 *			D02				1		7-5/8		248
RKDA 03 (1)	H	EM3D1		1-02 * P			D01				2		1		248
RKDA 03 (1)	H	EM2D1		1-03 * P			D01				1		1		248
RKDA 03 (1)	H	EM1D1		1-04 * P			D01								248
RKDA 03 (1)	H			1									9-5/8 1400000000		248
RKDA 04 (1)	H	EM3U2		1-01 *			D02				1		6-7/8		249
RKDA 04 (1)	H	EM3E1		1-02 * P			D01				2		1		249
RKDA 04 (1)	H	EM2E1		1-03 * P			D01								249
RKDA 04 (1)	H			1									7-7/8 1400000000		249
RKDA 05 (1)	H	EM3T2		1-01 *			D02				1		7-1/8		250
RKDA 05 (1)	H	EM3F1		1-02 * P			D01				2		1		250
RKDA 05 (1)	H	EM2F1		1-03 * P			D01								250
RKDA 05 (1)	H			1									8-1/8 1400000000		250

RP110, H RUN NAME	A/P	PIN NAME	ORDER PIN	23-AUG-76 RAY - ORDER	Q	DRAW OPT	RV	RG	Y	X	Z	REMARKS	15116 NC LENGTH EXCEPTIONS FLAG	PAGE 23	RUN NUMBER
RKDA 06 (1)	H	EM3C1		1-01 *			D02				1		8-6/8		251
RKDA 06 (1)	H	EM3H1		1-02 * P			D02				2		1		251
RKDA 06 (1)	H	EM2H1		1-03 * P			D01								251
RKDA 06 (1)	H			1									9-6/8 1400000000		251
RKDA 07 (1)	H	EM3J1		1-01 *			D01				1		8-2/8		252
RKDA 07 (1)	H	EM3J1		1-02 * P			D01				2		1		252
RKDA 07 (1)	H	EM2J1		1-03 * P			D01								252
RKDA 07 (1)	H			1									9-2/8 1400000000		252
RKDA 08 (1)	H	EM3F1		1-01 *			D02				1		8-5/8		253
RKDA 08 (1)	H	EM3K1		1-02 * P			D01				2		1		253
RKDA 08 (1)	H	EM2K1		1-03 * P			D01								253
RKDA 08 (1)	H			1									9-5/8 1400000000		253
RKDA 09 (1)	H	EM3T1		1-01 *			D02				1		8-2/8		254
RKDA 09 (1)	H	EM3L1		1-02 * P			D01				2		1		254
RKDA 09 (1)	H	EM2L1		1-03 * P			D01								254
RKDA 09 (1)	H			1									9-2/8 1400000000		254
RKDA 10 (1)	H	EM3P1		1-01 *			D02				1		8		255
RKDA 10 (1)	H	EM3M1		1-02 * P			D01				2		1		255
RKDA 10 (1)	H	EM2M1		1-03 * P			D01								255
RKDA 10 (1)	H			1									9-0/8 1400000000		255
RKDA 11 (1)	H	EM3S2		1-01 *			D02				1		7-7/8		256
RKDA 11 (1)	H	EM3R1		1-02 * P			D01				2		1		256
RKDA 11 (1)	H	EM2R1		1-03 * P			D01								256
RKDA 11 (1)	H			1									8-7/8 1400000000		256
RKDA 12 (1)	H	EM3K1		1-01 *			D02				1		8-6/8		257
RKDA 12 (1)	H	EM3P1		1-02 * P			D01				2		1		257
RKDA 12 (1)	H	EM2P1		1-03 * P			D01								257
RKDA 12 (1)	H			1									9-6/8 1400000000		257
RKDA 13 (1)	H	EM2P1		1-01 * P			D01				1		1		258
RKDA 13 (1)	H	EM3P1		1-02 * P			D01								258
RKDA 13 (1)	H			1									1-0/8 1400000000		258
RKDA 14 (1)	H	EM2S1		1-01 * P			D01				1		1		259
RKDA 14 (1)	H	EM3S1		1-02 * P			D01								259
RKDA 14 (1)	H			1									1-0/8 1400000000		259
RKDA 15 (1)	H	EM2U1		1-01 * P			D01				1		1		260
RKDA 15 (1)	H	EM3U1		1-02 * P			D01								260
RKDA 15 (1)	H			1									1-0/8 1400000000		260
RKDA 00 (1)	H	EM2T2		1-01 * P			D01				1		1		261
RKDA 00 (1)	H	EM3T2		1-02 * P			D01								261
RKDA 00 (1)	H			1									1-0/8 1400000000		261
RKDS 00 (1)	H	EM1V1		1-01 * P			D01				1		1		262
RKDS 00 (1)	H	EM2V1		1-02 * P			D01								262
RKDS 00 (1)	H			1									1-0/8 1400000000		262





