

digital

RX11

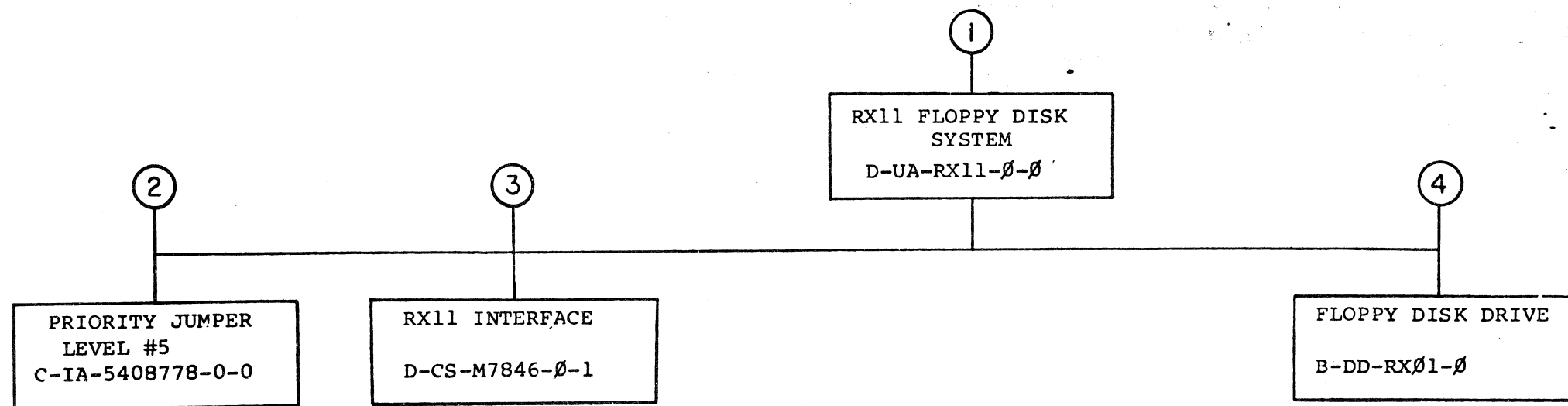
Engineering Drawings

Digital Equipment Corporation

The material herein is for information purposes only and is subject to change without notice. Digital Equipment Corporation assumes no responsibility for any errors which may appear herein.

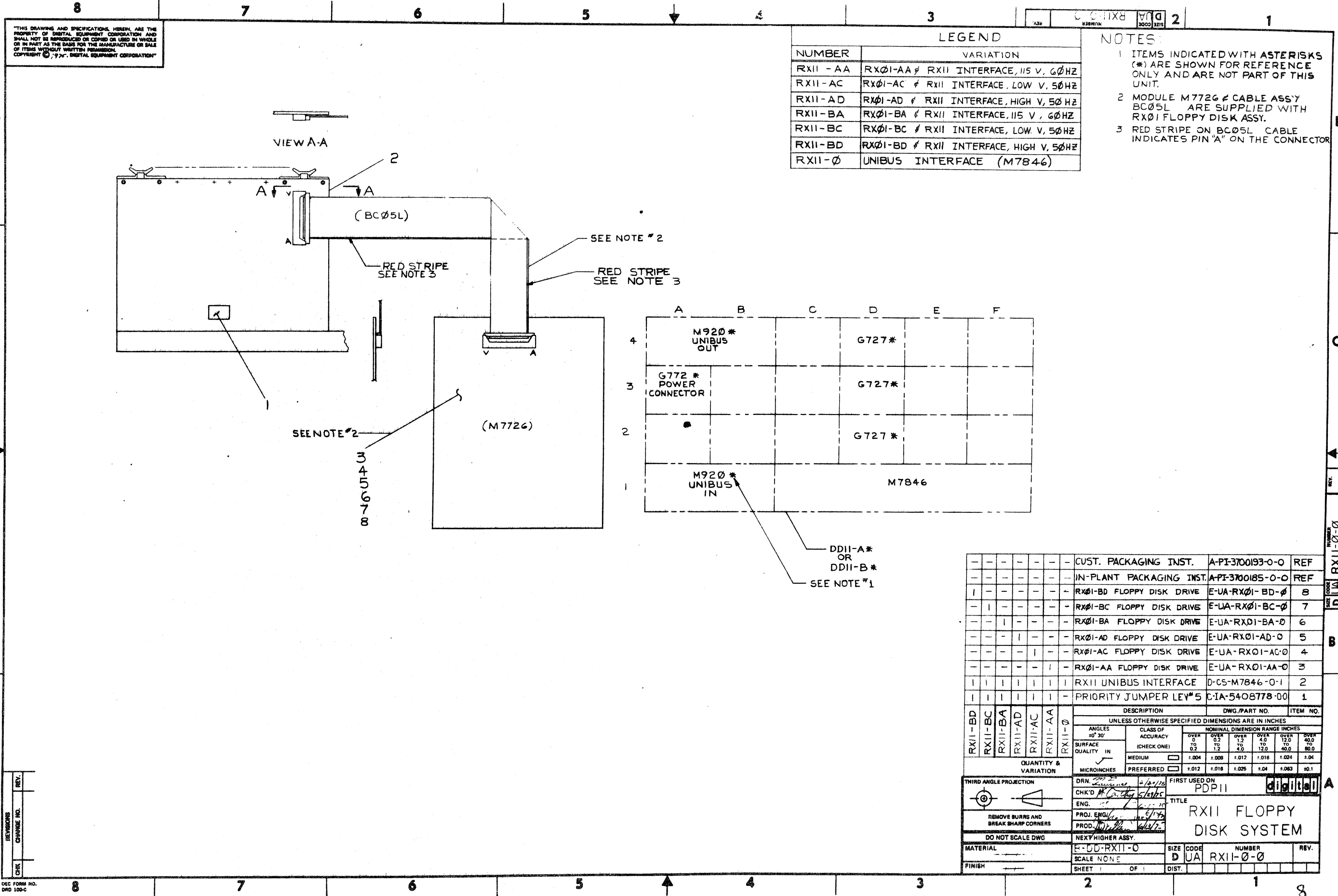
These drawings and specifications herein are the property of Digital Equipment Corporation and shall not be reproduced or copied or used in whole or in part as the basis for the manufacture or sale of items without written permission.

Copyright © 1975, Digital Equipment Corporation



4

TITLE	SHEET 2 OF 3	SIZE CODE	NUMBER	REV
RX11 FLOPPY DISK SYSTEM		B DD	RX11-Ø	A



"THIS DRAWING AND SPECIFICATIONS, HEREIN, ARE THE PROPERTY OF DIGITAL EQUIPMENT CORPORATION AND SHALL NOT BE REPRODUCED OR COPIED OR USED IN WHOLE OR IN PART AS THE BASIS FOR THE MANUFACTURE OR SALE OF ITEMS WITHOUT WRITTEN PERMISSION. COPYRIGHT © 1977, DIGITAL EQUIPMENT CORPORATION"

LEGEND	
NUMBER	VARIATION
RXII - AA	RX01-AA ≠ RXII INTERFACE, 115 V, 60HZ
RXII - AC	RX01-AC ≠ RXII INTERFACE, LOW V, 50HZ
RXII - AD	RX01-AD ≠ RXII INTERFACE, HIGH V, 50HZ
RXII - BA	RX01-BA ≠ RXII INTERFACE, 115 V, 60HZ
RXII - BC	RX01-BC ≠ RXII INTERFACE, LOW V, 50HZ
RXII - BD	RX01-BD ≠ RXII INTERFACE, HIGH V, 50HZ
RXII - Ø	UNIBUS INTERFACE (M7846)

- NOTES:
- ITEMS INDICATED WITH ASTERISKS (*) ARE SHOWN FOR REFERENCE ONLY AND ARE NOT PART OF THIS UNIT.
 - MODULE M772G ≠ CABLE ASSY BC05L ARE SUPPLIED WITH RX01 FLOPPY DISK ASSY.
 - RED STRIPE ON BC05L CABLE INDICATES PIN "A" ON THE CONNECTOR

	A	B	C	D	E	F
4	M920* UNIBUS OUT			G727*		
3	G772* POWER CONNECTOR			G727*		
2				G727*		
1	M920* UNIBUS IN		M7846			

	DESCRIPTION	DWG./PART NO.	ITEM NO.
-	CUST. PACKAGING INST.	A-PI-3700193-0-0	REF
-	IN-PLANT PACKAGING INST.	A-PI-3700185-0-0	REF
	RX01-BD FLOPPY DISK DRIVE	E-UA-RX01-BD-Ø	8
-	RX01-BC FLOPPY DISK DRIVE	E-UA-RX01-BC-Ø	7
-	RX01-BA FLOPPY DISK DRIVE	E-UA-RX01-BA-Ø	6
-	RX01-AD FLOPPY DISK DRIVE	E-UA-RX01-AD-Ø	5
-	RX01-AC FLOPPY DISK DRIVE	E-UA-RX01-AC-Ø	4
-	RX01-AA FLOPPY DISK DRIVE	E-UA-RX01-AA-Ø	3
	RXII UNIBUS INTERFACE	D-CS-M7846-0-1	2
	PRIORITY JUMPER LEV#5	C-IA-5408778-00	1

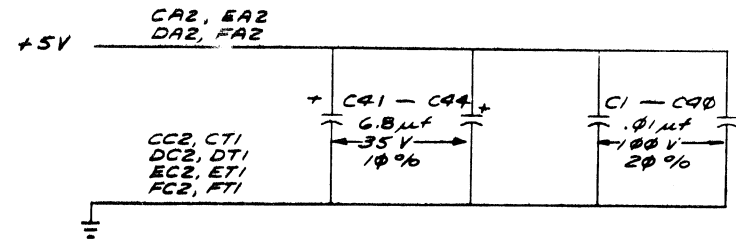
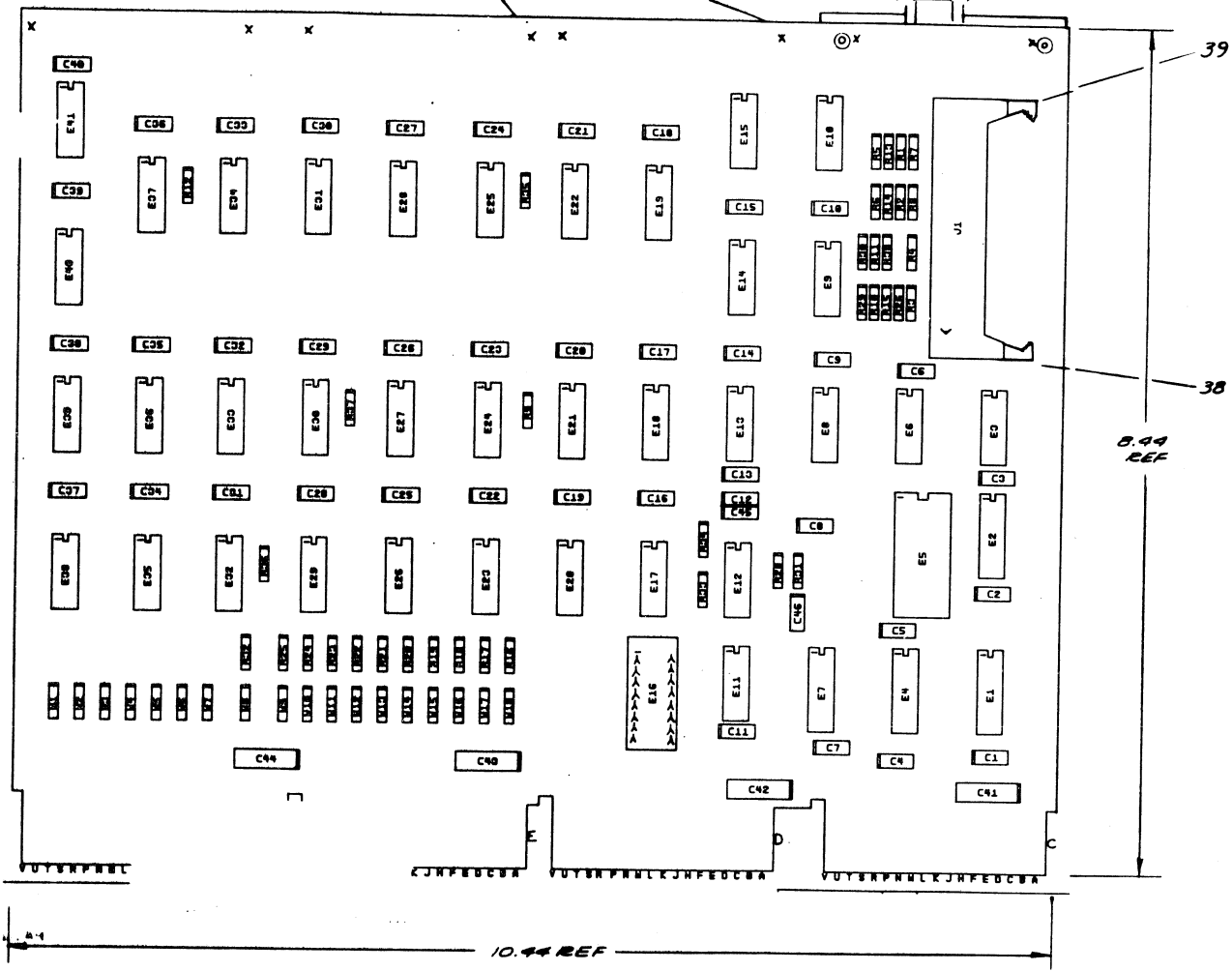
RXII-BD	RXII-BC	RXII-BA	RXII-AD	RXII-AC	RXII-AA	RXII-Ø	DESCRIPTION		DWG./PART NO.	ITEM NO.	
							QUANTITY & VARIATION	MICROINCHES			
							UNLESS OTHERWISE SPECIFIED DIMENSIONS ARE IN INCHES				
ANGLES		CLASS OF ACCURACY		NOMINAL DIMENSION RANGE INCHES							
±0° 30'		OVER 0 TO 0.2		OVER 0.2 TO 1.2	OVER 1.2 TO 4.0	OVER 4.0 TO 12.0	OVER 12.0 TO 40.0	OVER 40.0 TO 80.0			
SURFACE QUALITY IN							MEDIUM				
QUANTITY & VARIATION							PREFERRED				
THIRD ANGLE PROJECTION							DRN. [Signature]		FIRST USED ON		DIGITAL
REMOVE BURRS AND BREAK SHARP CORNERS							CHK'D [Signature]		PDPII		
DO NOT SCALE DWG							PROJ. ENG. [Signature]		TITLE		RXII FLOPPY DISK SYSTEM
MATERIAL							NEXT HIGHER ASSY.		SIZE CODE		
FINISH							SCALE NONE		NUMBER		REV.
							SHEET 1 OF 1		D UA RXII-Ø-Ø		

SEC FORM NO. DRG 100-C

REV. NO. D UA RXII-Ø-Ø

THE DESIGN AND SPECIFICATIONS HEREIN ARE THE PROPERTY OF DIGITAL EQUIPMENT CORPORATION AND SHALL NOT BE REPRODUCED OR TRANSMITTED IN ANY FORM OR BY ANY MEANS FOR THE REPRODUCTION OR SALE OF INFORMATION WITHOUT PERMISSION OF DIGITAL EQUIPMENT CORPORATION © 1974

NOTES:
 1. UNLESS OTHERWISE SPECIFIED:
 A. ALL RESISTORS ARE 1/4 W, 5%.
 B. ALL UNUSED PINS FOR U1 ARE TIED TO GND EXCEPT FF.



IC TYPE	QTY	REF. DESIGNATION	DESCRIPTION	PART NO.	ITEM NO.
8640	1	B			
74199	12	24			
8838	8	16			
74157	8	16			
74H106	13	5			
314	1	B			
IC TYPE		GND			+5V

GND AND 5V ARE USUALLY PIN 7 AND 14 RESPECTIVELY EXCEPTIONS ARE STATED ABOVE

IC PIN LOCATIONS

REF	QTY	REF. DESIGNATION	DESCRIPTION	PART NO.	ITEM NO.
REF			X-Y COORDINATE HOLE LOCATION	K-00-M7846-0-4	1
REF			ASSY/DEILL HOLE LAYOUT	D-AH-M7846-0-5	2
REF			MODULE ECO HISTORY	B-MH-M7846-0-6	3
1			ETCHED CIRCUIT BOARD	5011375	4
1	1	C45	CAP 330 pf 100V 5%	1000023-00	5
1	1	C46	CAP 470 pf 100V 5%	1000024-00	6
40	1	C1-C40	CAP .01µF 100V 20% DISC	1001610-01	7
4	1	C41-C44	CAP 6.8µF 35V 10% 5TANT	1005306-00	8
1	1	E16	SOCKET, GLASS 16PIN	1209838-00	9
1	1	J1	CONN, 40PIN HEADER	1209941-02	10
1	1	R34	RES 47 1/4W 5%	1300202-00	11
B		R30,R4,R6,R8	RES 390 1/4W 5%	1300309-00	12
		R14,R38,R2,R11			
1	1	R31	RES 100 1/4W 5%	1300229-00	13
4	1	R37,R28,R33,R9	RES 1K 1/4W 5%	1300365-00	14
13	1	R16-R25,R12	RES 10K 1/4W 5%	1300479-00	15
		R32,R35			
9	1	R29,R36,R3	RES 180 1/4W 5%	1301322-00	16
		R5,R7,R13,R15,R18			
2	1	E31,E37	IC 7474	1905547-00	17
3	1	E28,E36,E41	IC 7400	1905575-00	18
2	1	E6,E18	IC 7450	1905580-00	19
2	1	E34,E39	IC 7402	1909004-00	20
1	1	E3	IC 8281	1909490-00	21
1	1	E25	IC 74H74	1909667-00	22
3	1	E8,E21,E19	IC 7404	1909686-00	23
1	1	E20	IC 314	1909704-00	24
5	1	E12,E14,E32,E35,E38	IC 8881	1909705-00	25
3	1	E24,E27,E30	IC 8242	1909718-00	26
3	1	E13,E22,E40	IC 7408	1910155-00	27
1	1	E2	IC 74H06	1910408-00	28
1	1	E1	IC 74157	1910655-00	29
1	1	E5	IC 74199	1910842-00	30
1	1	E17	IC 7427	1910878-00	31
2	1	E4,E7	IC 8838	1911117-00	32
7	1	E11,E23,E26,E29,E15,E33,E9	IC 8640	1911469-00	33
B			EYELET	9006732-00	34
4			HANDLE-FLIP CHIP, MAGENTA	9008337-06	35
1	1	E10	IC (SPARE)		34
18	1	WI-W18	JUMPER, WIRE .4 LONG	9107560-1	37
1	1		LATCH, LEFT FOR RT ANG HEADER	1209941-03	38
1	1		LATCH, RIGHT FOR RT ANG HEADER	1209941-04	39
1	1	R26	RES 120Ω 1/4W 5%	1300247-00	40

FIRST USED ON OPTION MODEL M7846

ETCH BOARD REV. C

REVISIONS

REV.	DATE	DESCRIPTION
B	10/31/74	...
A	12/10/74	...
C	1/16/75	...
D	1/16/75	...

digital

TITLE: RXII UNIBUS INTERFACE

SIZE CODE: DCS M7846-0-1

SCALE: 1 OF 3

SHEET 1 OF 3

C. YOUSE

H. D. ... 3-1-74

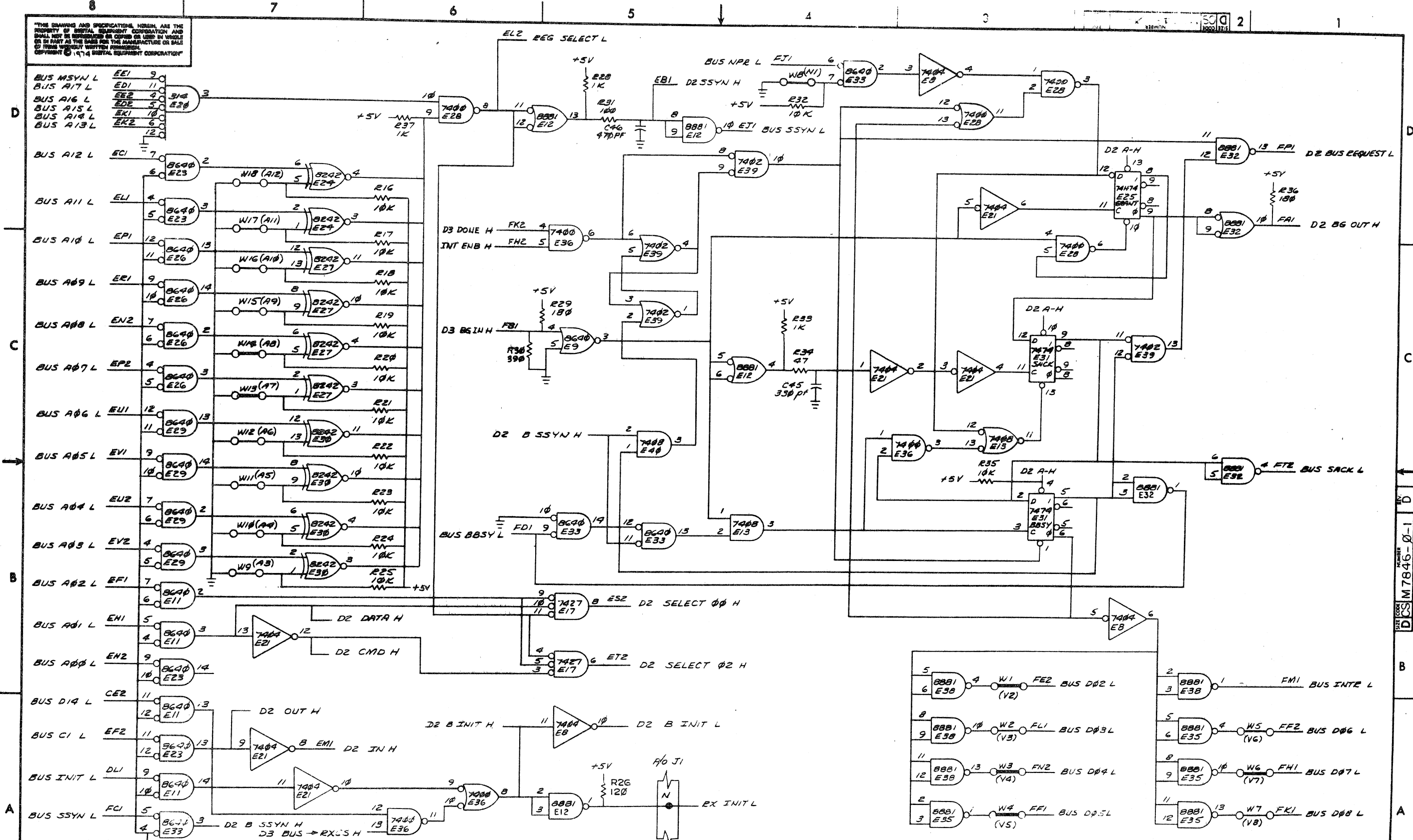
M7846-00003 D

M7846-00002 C

M7846-00001 B

M7846-00000 A

THIS DRAWING AND SPECIFICATIONS HEREIN ARE THE PROPERTY OF DIGITAL EQUIPMENT CORPORATION AND SHALL NOT BE REPRODUCED OR COPIED OR USED IN WHOLE OR IN PART AS THE BASIS FOR THE MANUFACTURE OR SALE OF ITEMS UNLESS WRITTEN PERMISSION IS OBTAINED FROM DIGITAL EQUIPMENT CORPORATION.
 COPYRIGHT © 1974 DIGITAL EQUIPMENT CORPORATION

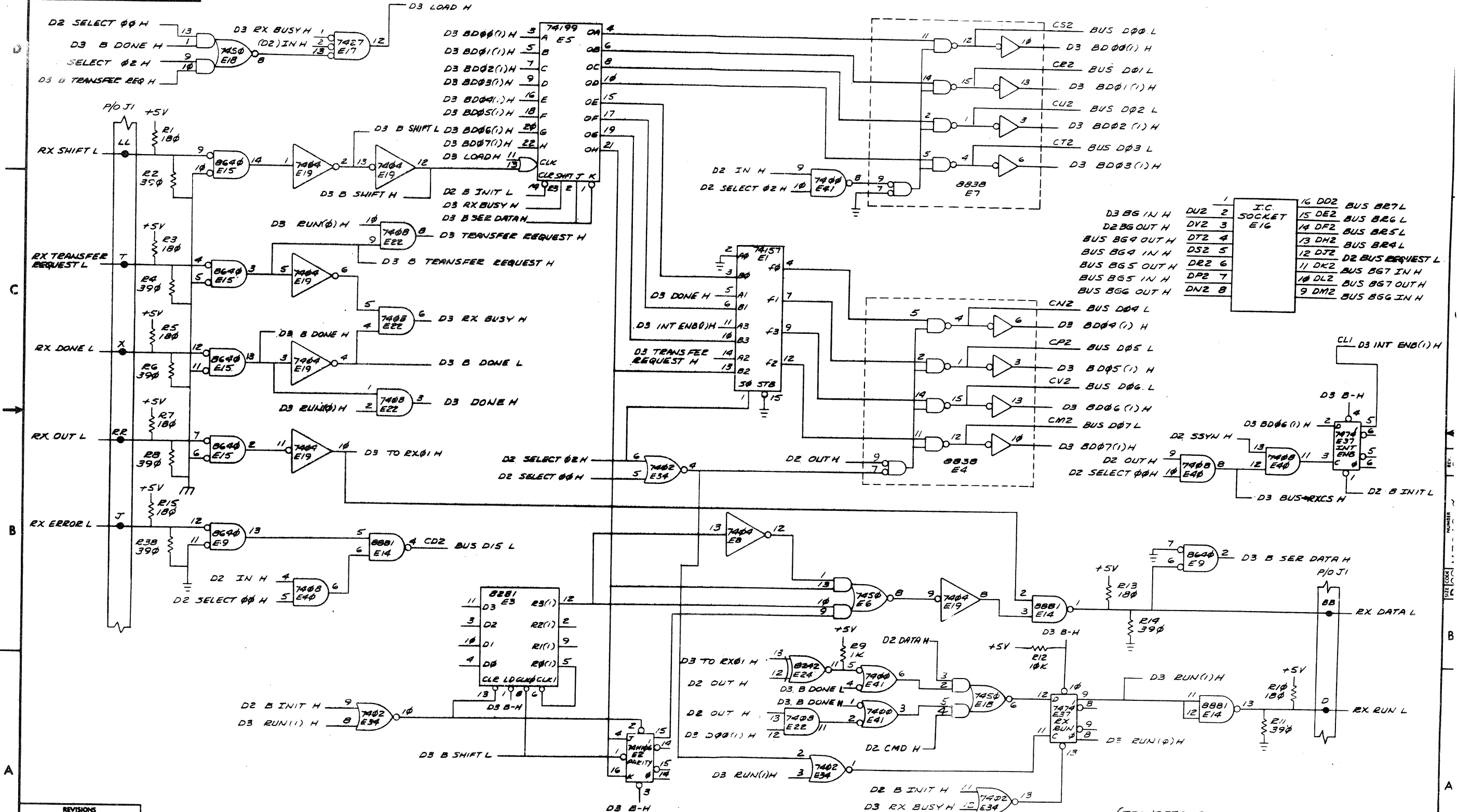


REVISIONS		
CHK	CHANGE NO.	REV.

TITLE	RX11 UNIBUS INTERFACE (D2)	SIZE CODE	DCS M7846-0-1	NUMBER		REV.	D
SCALE		SHEET	2 OF 3	DIST.			

DCS M7846-0-1 D

THIS DRAWING AND SPECIFICATIONS HEREIN ARE THE PROPERTY OF DIGITAL EQUIPMENT CORPORATION AND SHALL NOT BE REPRODUCED OR COPIED IN WHOLE OR IN PART AS THE BASIS FOR THE MANUFACTURE OR SALE OF ITEMS WITHOUT WRITTEN PERMISSION. COPYRIGHT © 1974 DIGITAL EQUIPMENT CORPORATION



1	DU2	2	I.C. SOCKET E16	16	DD2	BUS B07L
2	DV2	3		15	DE2	BUS B06L
3	DT2	4		14	DF2	BUS B05L
4	DS2	5		13	DN2	BUS B04L
5	DT2	6		12	DD2	BUS B03L
6	DE2	7		11	DK2	BUS B02L
7	DP2	8		10	DL2	BUS B01L
8	DN2	9		9	DM2	BUS B00L

REVISIONS		
CHK	CHANGE NO.	REV.

