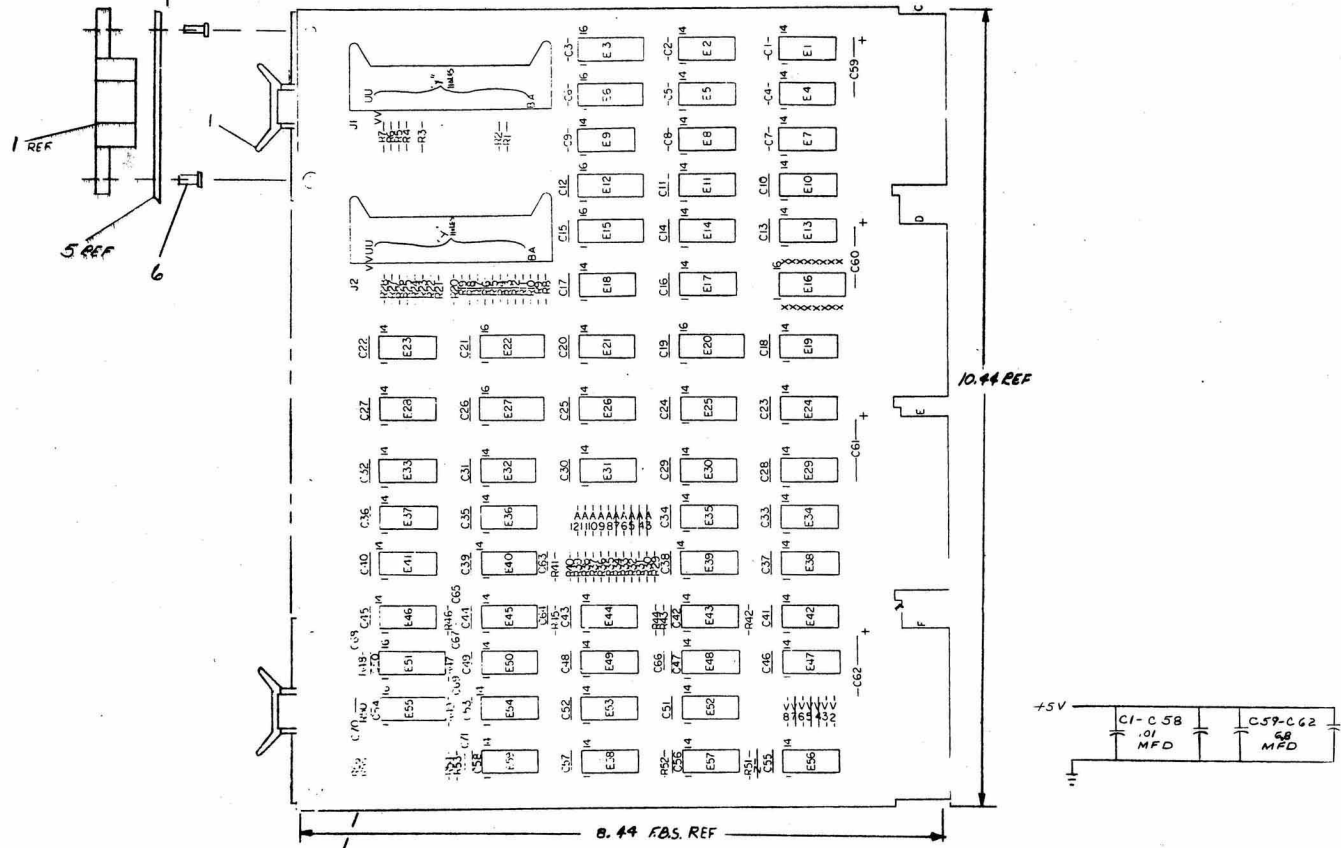


This drawing and specifications, herein, are the property of Digital Equipment Corporation and shall not be reproduced or copied in any form or by any means without the prior written permission of Digital Equipment Corporation. COPYRIGHT © 1973

NOTES:

- UNLESS OTHERWISE INDICATED RESISTORS ARE 10K, 1/4W, 5% AND CAPACITOR VALUES IN PICO FARADS.
- ADDRESS JUMPERS ARE INSERTED FOR A ZERO
- VECTOR JUMPERS ARE INSERTED FOR A ONE.

4. ON ITEM NO. 40, ALL 13CHIPS MUST BE EITHER DEC 380'S OR ITS SUBSTITUTE 11380 IC'S. COMBINATIONS ARE NOT ALLOWED ON THE SAME OPTION.



* SEE ALLOWABLE SUBSTITUTION LIST & NOTE 4

ALLOWABLE SUBSTITUTION LIST			
ORIG. PART NO.	SUBSTITUTE DESCRIPTION	PART NO.	ITEM NO.
1903485	I.C. 11380	1911113	40

IC TYPE	GND	+5V
IC 74123	8	16
IC 380	1	5
IC 1145603	5	16
IC 1145600	8	16
IC 74174	8	16
REV IC 74175	8	16

GND AND 5V ARE USUALLY PIN 7 AND 14 RESPECTIVELY. EXCEPTIONS ARE STATED ABOVE.

IC PIN LOCATIONS

C FORM NO. 10-135A

QTY	REF DESIGNATION	DESCRIPTION	PART NO.	ITEM NO.
		HANDLE - FLIP CHIP, MARGENTIS	9008337-6	1
		X-Y COORDINATE HOLE LOCATION	K-01-4082-0-4	2
		ASSY DRILLING HOLE LAYOUT	D-11-4082-0-8	3
		MEDIA EDD HISTORY	D-11-4082-0-8	4
		ETCHED CIRCUIT BOARD	5010508	5
1		ETWLET (G5-4-7 STAMPSON)	9006732	6
2	J1, J2	BASE TO PIN CONNECTOR	1809991	7
2	087, E70	CAP 270 MFD 100V 5% TM	1000022	8
1	C71	CAP 330 MFD 100V 5% TM	1000023	9
4	C63, C64, C65, C66	CAP 470 MFD 100V 5% TM	1000024	10
2	C68, C69	CAP 560 MFD 100V 5% TM	1000025	11
4	C64, C62	CAP 6.8 MFD 35V 10% TANT	1005304	12
58	C1-C58	CAP .01 MFD 100V 20%	1001610-01	13
1	E16	SOCKET I.C.	1209838	14
1	R53	RES 47 1/4W 5%	1300202	15
4	R41, R43, R45, R46	RES 100 1/4W 5%	1300229	16
8	R2, R3, R15, R16, R21, R22, R23, R28	RES 120 1/4W 5%	1300247	17
1	R51	RES 390 1/4W 5%	1300309	18
11	R8-R14, R17-R20	RES 470 1/4W 5%	1300316	19
3	R40, R44, R54	RES 1K 1/4W 5%	1300385	20
18	R29-R39, R47-P50, R52, R53, R56	RES 10K 1/4W 5%	1300479	21
9	R1, R4-R7, R25, R26, R27, R42	RES 180 1/4W 5%	1301322	22
1	R24	RES 2K 1/4W 5%	1302388	23
1	E22	I.C. DEC IM5603	2302192	24
4	E31, E41, E50, E53	I.C. DEC 7474	1905547	25
4	E40, E44, E45, E52	I.C. DEC 7400	1905575	26
1	E25	I.C. DEC 7450	1905580	27
2	E21, E49	I.C. DEC 7402	1909004	28
1	E54	I.C. DEC 74174	1909887	29
3	E26, E46, E59	I.C. DEC 7404	1909888	30
1	E27	I.C. DEC IM5600	23022A1	31
3	E30, E35, E39	I.C. DEC 8242	1909712	32
2	E32, E33	I.C. DEC 7416	1909828	33
3	E13, E36, E58	I.C. DEC 7408	1910155	34
2	E51, E55	I.C. DEC 74123	1910438	35
4	E3, E6, E12, E15	I.C. DEC 74175	1910851	36
1	E20	I.C. DEC 74174	1910852	37
1	E42	I.C. DEC 7427	1910878	38
12	E1, E4, E5, E7, E8, E10, E14, E17, E43, E47, E48, E54	I.C. DEC 5881	1909705	39
13	E2, E9, E11, E18, E19, E23, E24, E28, E29, E34, E37, E38, E57	I.C. DEC 380	1909785 *	40
REF		ROM LISTING (FOR 23022A1)	K-RLM7892-0-7	41
REF		ROM LISTING (FOR 23021A1)	K-RLM7892-0-8	42

FIRST USED ON OPTION MODEL T-111

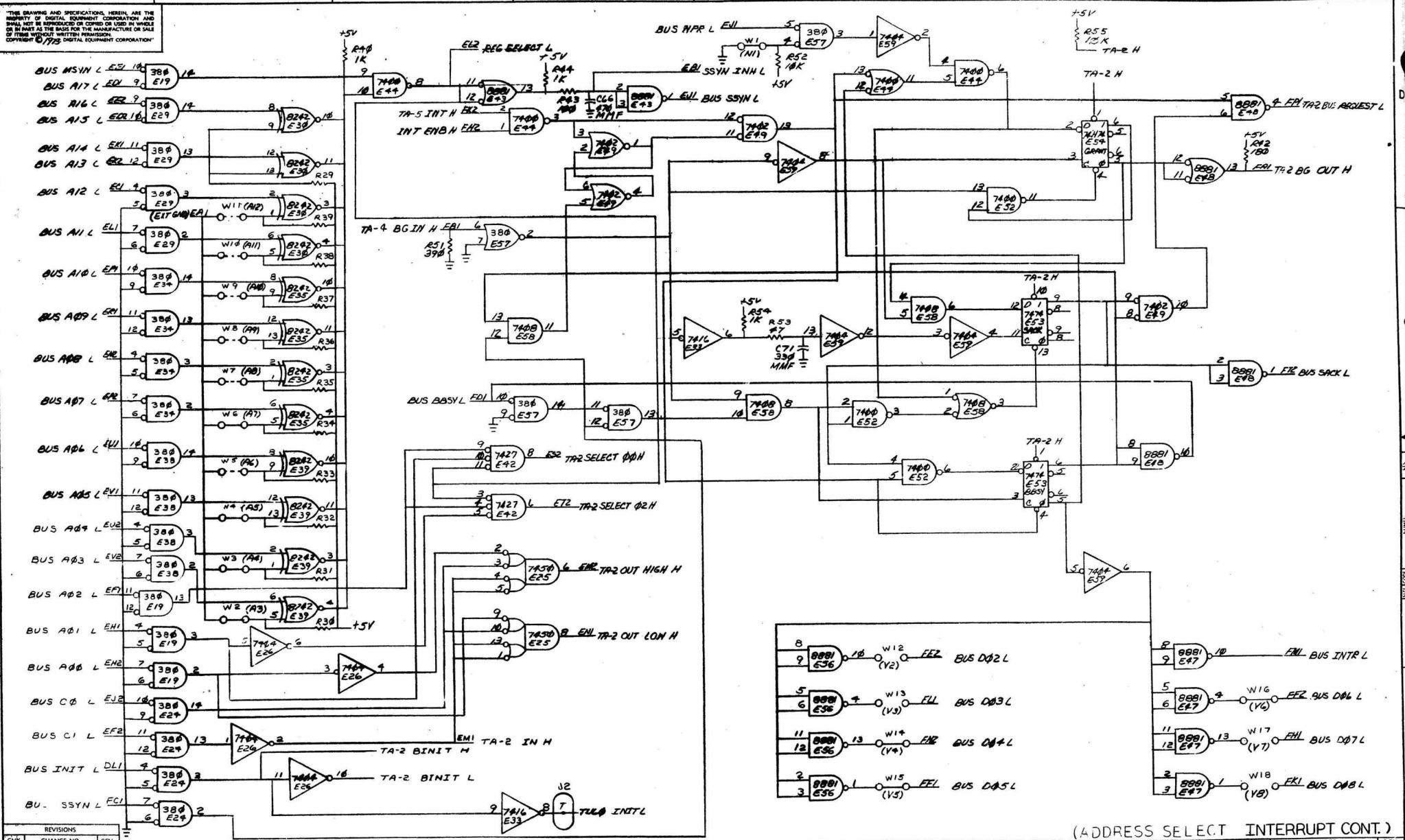
REV	DATE	BY	DESCRIPTION
1	7-24-73	R. BISSON	INITIAL DESIGN
2	7-27-73	D. MURPHY	DESIGN CHANGES
3	8-1-73	D. MURPHY	DESIGN CHANGES
4	8-1-73	D. MURPHY	DESIGN CHANGES

ETCH BOARD REV		PARTS LIST		TITLE	
A	A	DATE	DATE	digital EQUIPMENT CORPORATION	
		BY	BY	WATERTOWN MASSACHUSETTS	
		DATE	DATE	TITLE	
		DATE	DATE	CASSETTE INTERFACE	
		DATE	DATE	SCALE	
		DATE	DATE	C-1A-T-111-0-0	
		DATE	DATE	NEXT HIGHER ASSY	
		DATE	DATE	SIZE CODE	
		DATE	DATE	NUMBER	
		DATE	DATE	D(CS)M7892-0-1	
		DATE	DATE	REV.	
		DATE	DATE	A	

SEMICONDUCTOR CONVERSION CHART

SHEET 1 OF 5

THIS DRAWING AND SPECIFICATIONS, HEREIN, ARE THE PROPERTY OF DIGITAL EQUIPMENT CORPORATION AND SHALL NOT BE REPRODUCED OR COPIED OR USED IN WHOLE OR IN PART AS THE BASIS FOR THE MANUFACTURE OR SALE OF ITEMS WITHOUT WRITTEN PERMISSION. COPYRIGHT © 1972 DIGITAL EQUIPMENT CORPORATION.

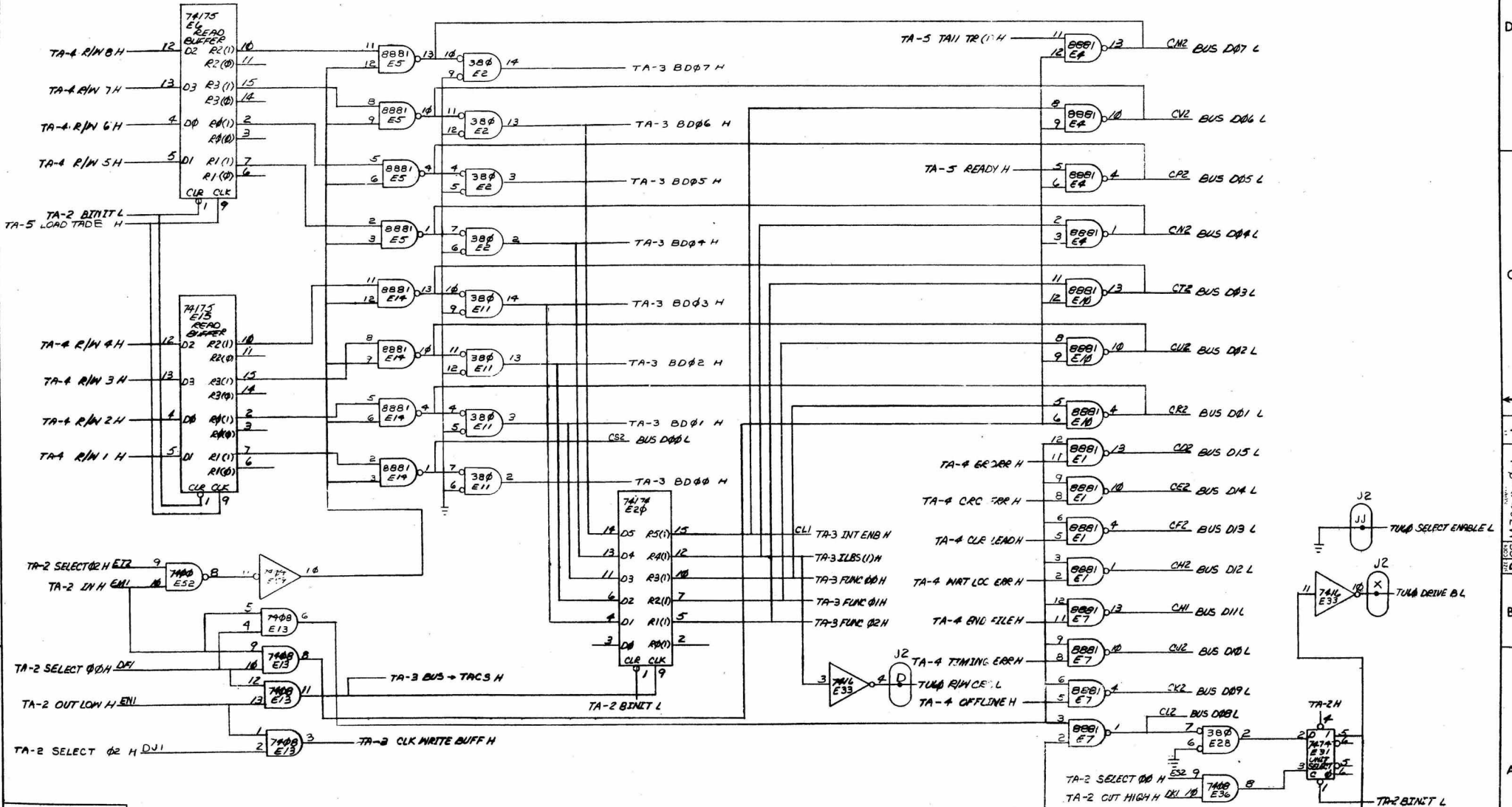


CHK	REVISIONS	CHANGE NO	REV
	1	5/1/73	V1
	2	7/1/73	V2

(ADDRESS SELECT INTERRUPT CONT.)

TITLE	SIZE	CODE	NUMBER	REV.
CASSETTE INTERFACE	D	CSM7892-0-1		A
SCALE	SHEET	OF	DIST.	
	2	5		

THIS DRAWING AND SPECIFICATIONS, HEREIN, ARE THE PROPERTY OF DIGITAL EQUIPMENT CORPORATION AND SHALL NOT BE REPRODUCED OR COPIED OR USED IN WHOLE OR IN PART AS THE BASIS FOR THE MANUFACTURE OR SALE OF ITEMS WITHOUT WRITTEN PERMISSION.
 COPYRIGHT © 1973 DIGITAL EQUIPMENT CORPORATION

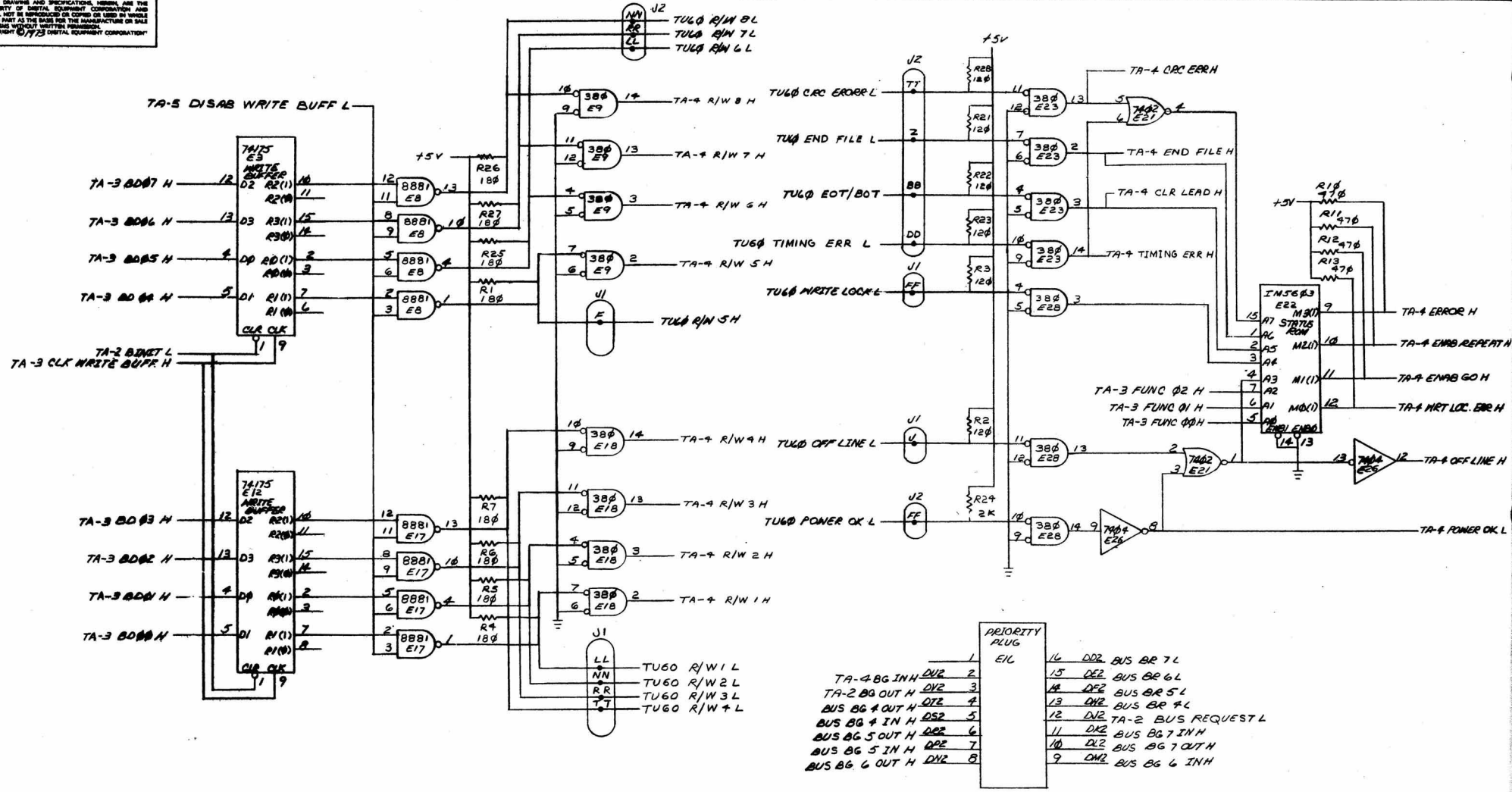


REVISIONS		
CHK	CHANGE NO	REV
	1	1
	2	2

(DATA PATHS)

TITLE		(TA-3) SIZE CODE	NUMBER	REV.
CASSETTE INTERFACE		D	CS M7892-0-1	A
SCALE	SHEET 3	OF 5	DIST.	

THIS DRAWING AND SPECIFICATIONS HEREIN ARE THE PROPERTY OF DIGITAL EQUIPMENT CORPORATION AND SHALL NOT BE REPRODUCED OR COPIED OR USED IN WHOLE OR IN PART AS THE BASIS FOR THE MANUFACTURE OR SALE OF ITEMS WITHOUT WRITTEN PERMISSION.
 COPYRIGHT © 1973 DIGITAL EQUIPMENT CORPORATION



PRIORITY PLUG

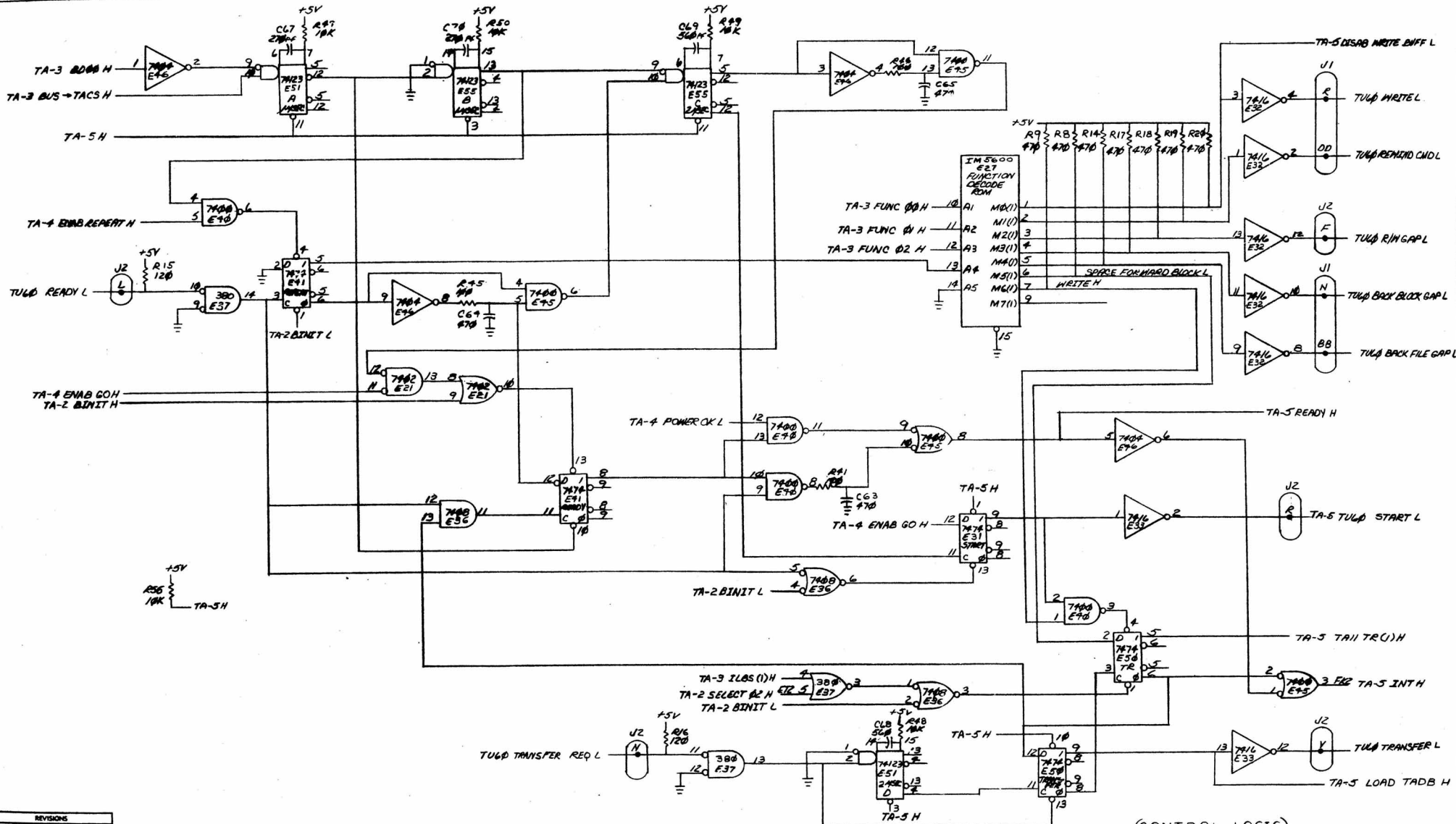
1	D02	BUS BR 7L
2	D02	BUS BR 6L
3	D02	BUS BR 5L
4	D02	BUS BR 4L
5	D02	TA-2 BUS REQUEST L
6	D02	BUS BG 7 INH
7	D02	BUS BG 5 INH
8	D02	BUS BG 6 OUT H
9	D02	BUS BG 6 INH
10	D02	BUS BR 7 OUT H
11	D02	BUS BR 7 INH
12	D02	BUS BR 4L
13	D02	BUS BR 5L
14	D02	BUS BR 6L
15	D02	BUS BR 7L

REVISIONS		
CHK	CHANGE NO.	REV.
	Fullam-3/1/73	PP

(DATA PATHS & CONTROL LOGIC)

TITLE	TA-4	SIZE CODE	NUMBER	REV
CASSETTE INTERFACE	DCS	M7892-0-1		A
SCALE	SHEET 4	OF 5	DIST.	

THE DRAWING AND SPECIFICATIONS HEREIN ARE THE PROPERTY OF DIGITAL EQUIPMENT CORPORATION AND SHALL NOT BE REPRODUCED OR COPIED OR USED IN WHOLE OR IN PART AS THE BASIS FOR THE MANUFACTURE OR SALE OF ITEMS WITHOUT WRITTEN PERMISSION.
COPYRIGHT © 1973 DIGITAL EQUIPMENT CORPORATION



(CONTROL LOGIC)

CHK	REVISIONS	CHANGE NO.	REV.

TITLE	(TA-5)	SIZE/SCALE	NUMBER	REV.
CASSETTE INTERFACE		DIST.	DCSM7892-0-1	A
SHEET	5 OF 5			