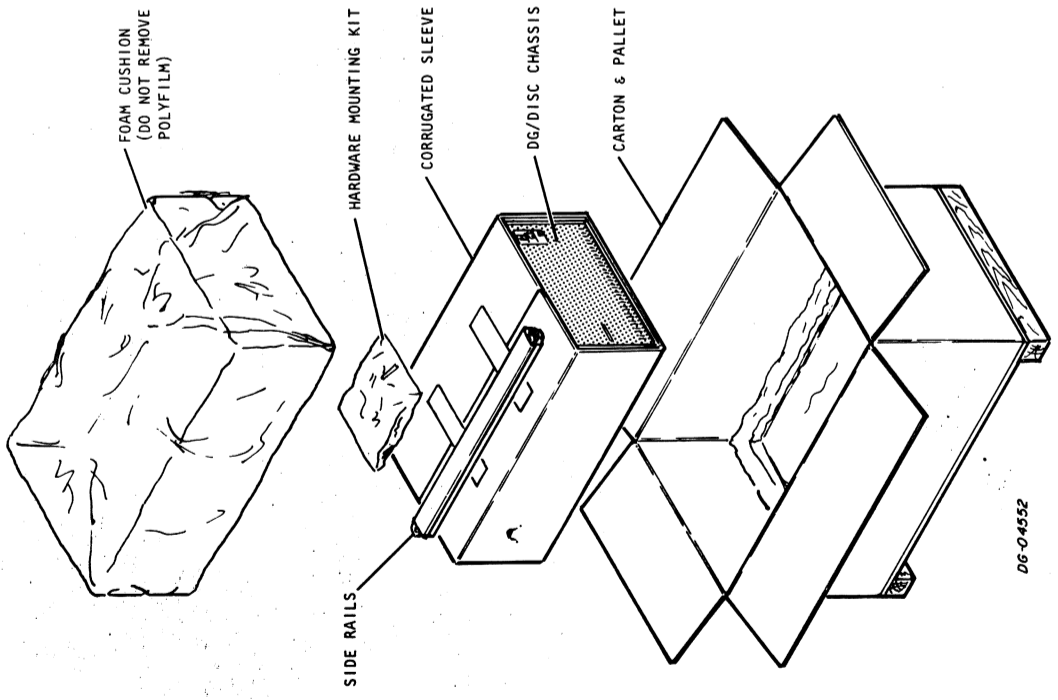




4 3 2 1

SHIPPING

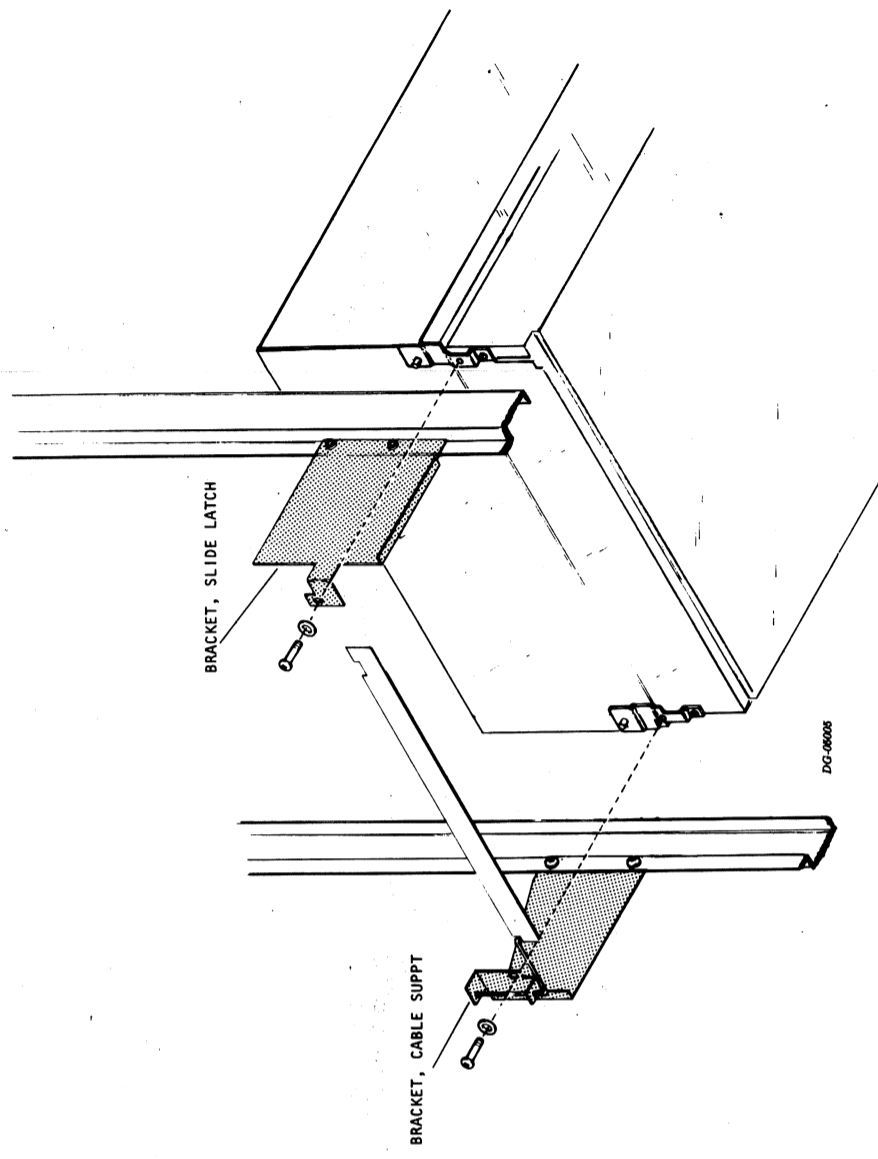


DG-04552

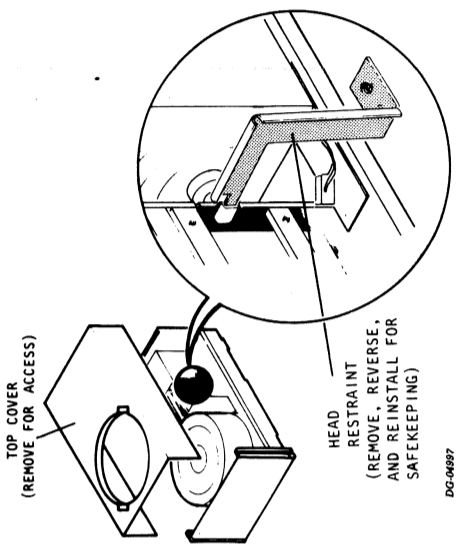
SHIPPING AND PACKAGE DATA					
Outside Dimensions			Weight (Gross)		Density
Length	Width	Depth	lbs.	kg	lbs/cu ft
in. 36	in. 27	in. 22.75	200	91	15.63
cm 91.4	cm 68.6	cm 57.8			kg/cu m 253
SHIPPING SPECIFICATIONS			STORAGE SPECIFICATIONS		
Temperature Range	Relative Humidity (Non-condensing)	Maximum Altitude	Temperature Range	Relative Humidity (Non-condensing)	Maximum Period
$^{\circ}\text{F}$ -40to+160	0%/80%	50,000ft. 15,200m	$^{\circ}\text{F}$ -40to+160	0%/80%	90days
$^{\circ}\text{C}$ -40to+70			$^{\circ}\text{C}$ -40to+70		

DG-03224

MOUNTING SHIPPING BRACKETS TO RAILS



MOUNTING HEAD RESTRAINT



DG-06997

**DATA GENERAL CORPORATION**  
SOUTHBORO MASSACHUSETTS 01772

**TITLE**  
10 MBYTE microNOVA  
DG/DISC STORAGE SUB-  
SYSTEM SERIES 6095

**APPROVED**  
FIRST USED ON  
CODE IDENT 34984

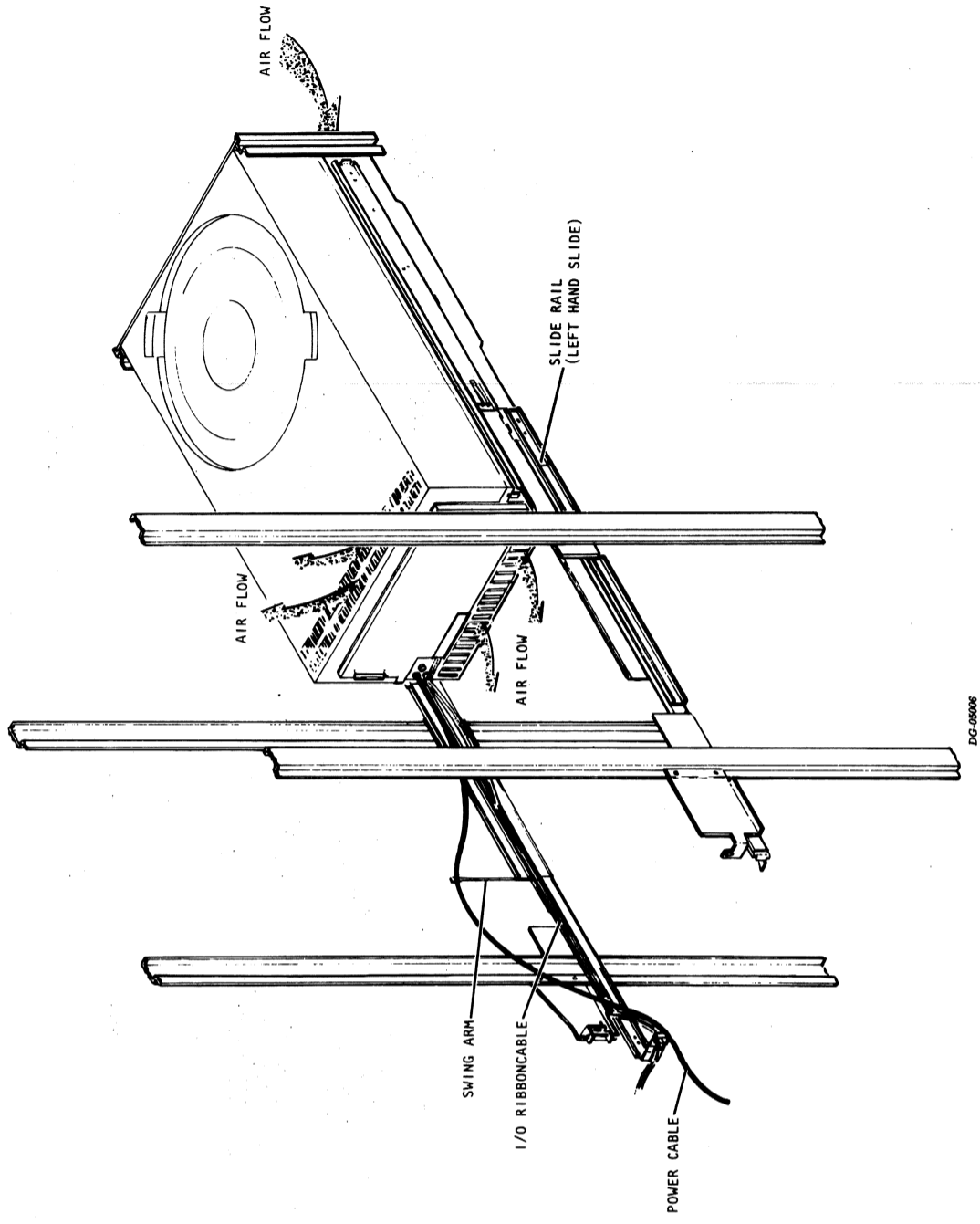
**DRAWN**  
CHECKED  
ENGINEER

**REV**  
ECO  
APP  
DATE

**SIZE** C 100  
**DRAWING NUMBER** 000203

**REV** 02  
**REV**

# CABINET MOUNTED DISC DRIVE

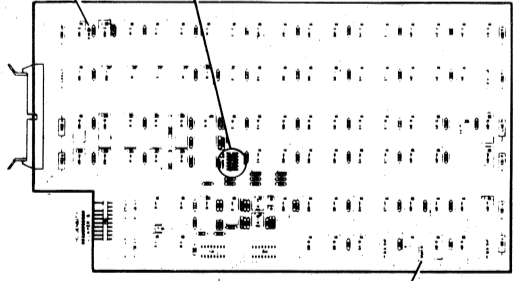


REAR VIEW OF A DISC DRIVE MOUNTED IN A STANDARD CABINET. DRIVE IS SHOWN PARTIALLY EXTENDED ON THE SLIDE RAILS. NOTE DISC CABLE INTERFACE ASSEMBLY FASTENED TO THE REAR OF DRIVE; SLACK IN FLAT CABLE AND POWER CABLES IS TAKEN UP BY A SPRING-LOADED SWING ARM.

DG-08006

# TAILORING

## JUMPERS



DG-0488 Ref. DGC 107-000939 Rev. 01

ROTATED 90° C.C.W.

JUMPER POSITION	
W1	IN
W8	IN

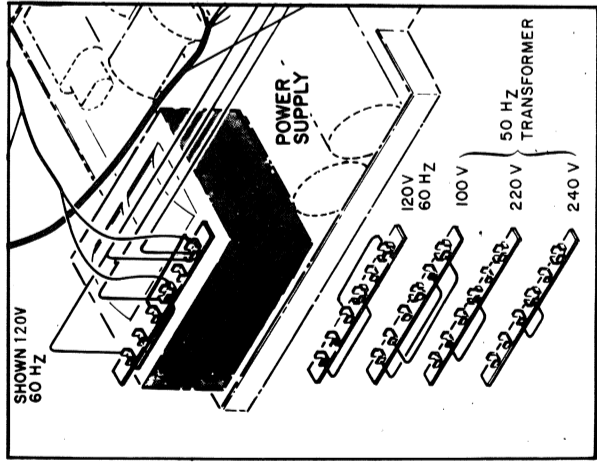
  

DEVICE CODE SELECT	
W2	DS5
W3	DS4
W4	DS3
W5	DS2
W6	DS1
W7	DS0

TYPICAL DEVICE CODE	
27	67

## INPUT VOLTAGE SELECTION



DG-0488

**DATA GENERAL CORPORATION**  
SOUTHBORO MASSACHUSETTS 01772

**10 MBYTE microNOVA  
DG/DISC STORAGE SUB-  
SYSTEM SERIES 6095**

**CODE IDENT 34984**

DRAWN  
CHECKED  
ENGINEER

APPROVED  
FIRST USED ON  
DATE

REV  
ECO  
APP  
DATE

THIS DRAWING AND SPECIFICATIONS, HEREIN, ARE THE PROPERTY OF DATA GENERAL CORPORATION AND ARE NOT TO BE REPRODUCED OR COPIED OR USED IN WHOLE OR IN PART AS THE BASIS FOR MANUFACTURE OR SALE OF ITEMS WITHOUT WRITTEN PERMISSION.

BRUNING 40-526 27928

013-00840

SIZE CODE **C 010**  
DRAWING NUMBER **000203**  
REV **02**

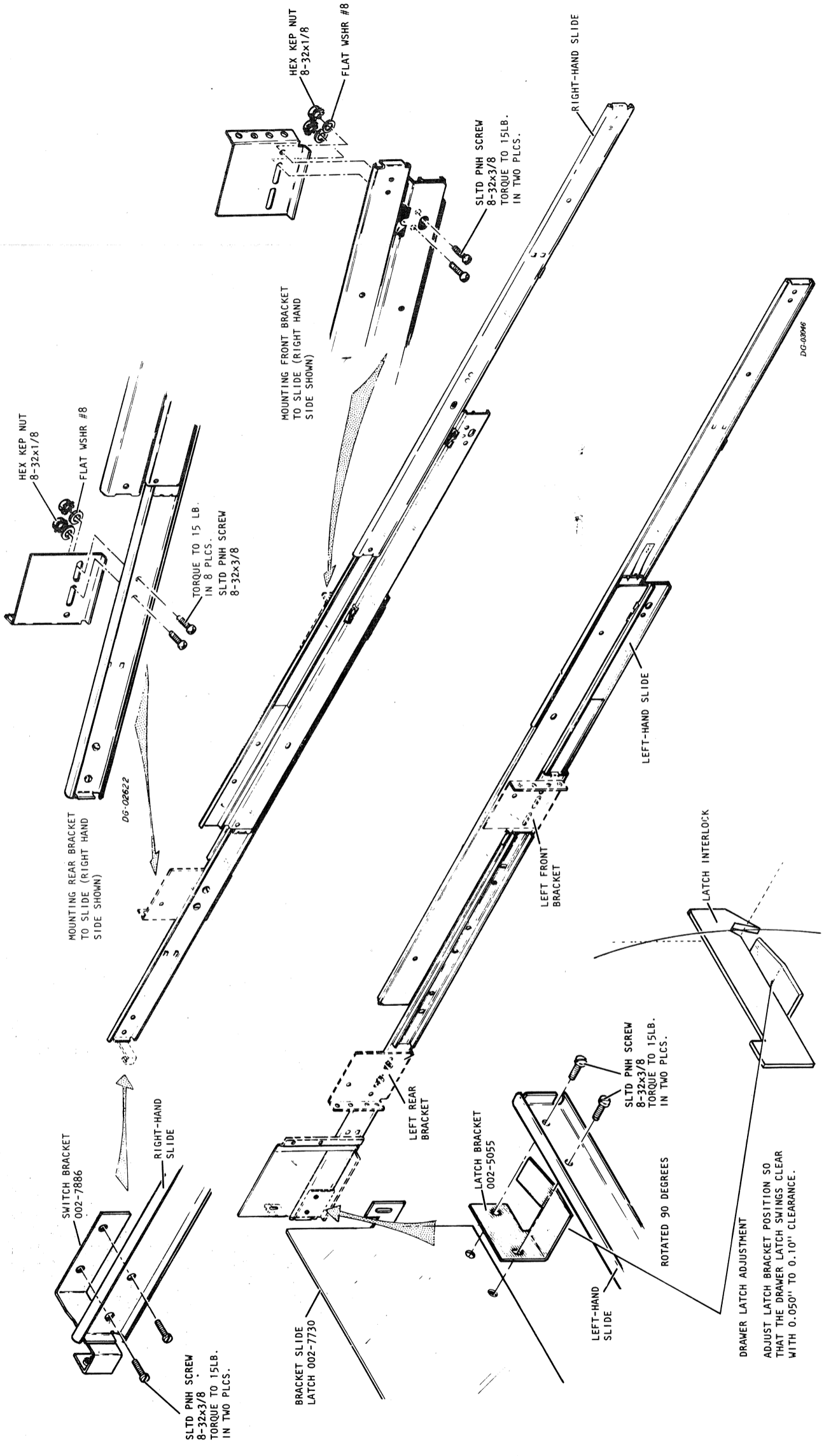
SHEET **3** OF **8**

4 3 2 1

# INSTALLATION PROCEDURE

## MOUNTING KIT (005 010071)

1. ASSEMBLE THE SLIDES. BE SURE TO IDENTIFY RIGHT AND LEFT SLIDES AND BRACKETS.



NOTE:  
1. ALL NUTS AND WASHERS ON OUTSIDE OF SLIDES. TO GIVE CLEARANCE. LEFT FRONT AND RIGHT REAR SLIDE BRACKETS ARE THE SAME. RIGHT FRONT AND LEFT REAR SLIDE BRACKETS ARE THE SAME.

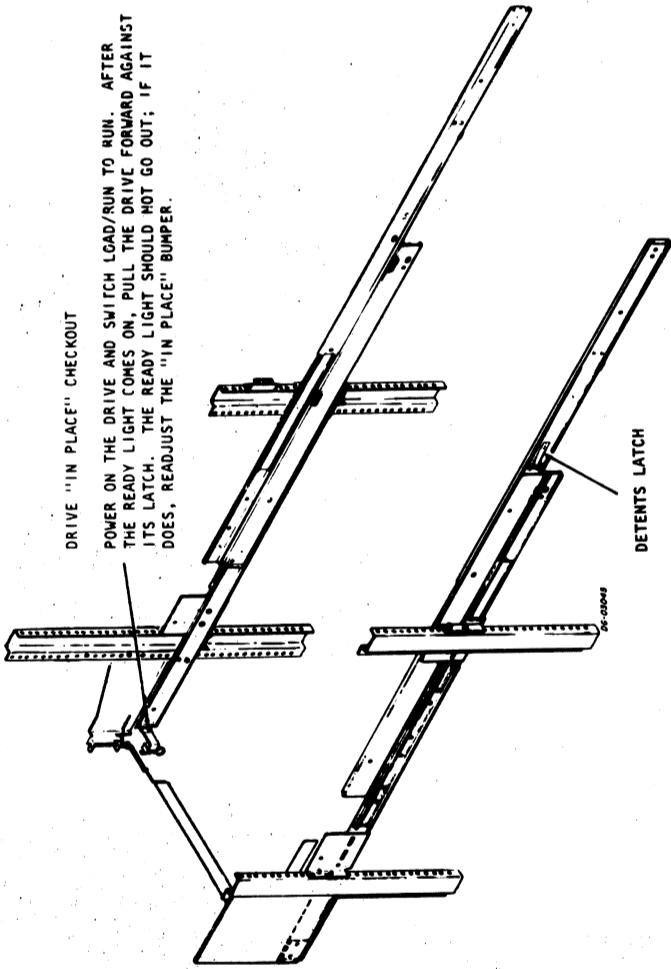
REV		ECO		APP		DATE		DRAWN		CHECKED		ENGINEER		APPROVED		FIRST USED ON		CODE IDENT		34984	
THIS DRAWING AND SPECIFICATIONS, HEREIN, ARE THE PROPERTY OF DATA GENERAL CORPORATION, AND SHALL NOT BE REPRODUCED OR COPIED OR USED IN WHOLE OR IN PART FOR THE MANUFACTURE OR SALE OF ITEMS WITHOUT WRITTEN PERMISSION.																					
TITLE												10 MBYTE microNOVA DG/DISC STORAGE SUB- SYSTEM SERIES 6095									
DATA GENERAL CORPORATION												SOUTHBORO MASSACHUSETTS 01772									
SIZE												C 010									
DRAWING NUMBER												000203									
REV												02									



# INSTALLATION IN A CABINET MOUNTING CHASSIS ON THE SLIDES

4. INSTALL DISC DRIVE ONTO SLIDES.

CAUTION: THIS STEP REQUIRES AT LEAST TWO, AND PREFERABLY THREE PERSONS; THE DRIVE WEIGHS APPROXIMATELY 150 POUNDS, AND SOME MANEUVERING IS REQUIRED DURING INSTALLATION.

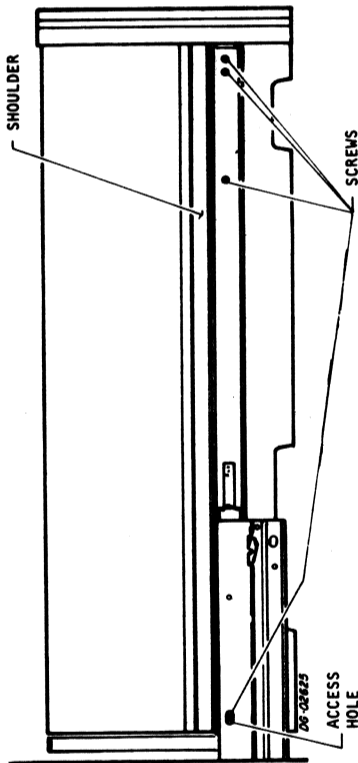


DRIVE "IN PLACE" CHECKOUT

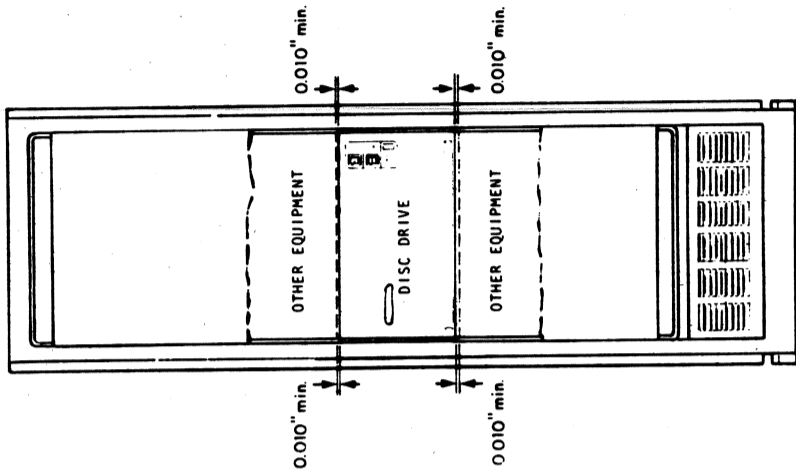
POWER ON THE DRIVE AND SWITCH LOAD/RUN TO RUN. AFTER THE READY LIGHT COMES ON, PULL THE DRIVE FORWARD AGAINST ITS LATCH. THE READY LIGHT SHOULD NOT GO OUT; IF IT DOES, READJUST THE "IN PLACE" BUMPER.

DETENTS LATCH

EXTEND THE SLIDES TO THEIR FULLY EXTENDED (SERVICE) POSITION. ENSURE THAT THE DETENTS LATCH.



LIFT THE DRIVE INTO POSITION, SPREAD THE SLIDES, AND PLACE THE DRIVE ONTO THE EXTENDED SLIDES. PUSH THE SLIDES AGAINST THE CASTING SO THAT THE WEIGHT IS SUPPORTED BY THE MACHINED SHOULDER ON THE CASTING. THE SCREW HOLES IN THE SLIDE SHOULD ALIGN WITH THE TAPPED HOLES IN THE CASTING. SLIDE THE DRIVE FORWARD OR BACKWARD UNTIL THE HOLES ARE ALIGNED. BE SURE TO HOLD THE SLIDES FIRMLY AGAINST THE CASTING AND UNDER THE SHOULDER DURING THIS OPERATION. DO NOT RELEASE THE SLIDES UNTIL ALL SCREWS ARE INSTALLED.



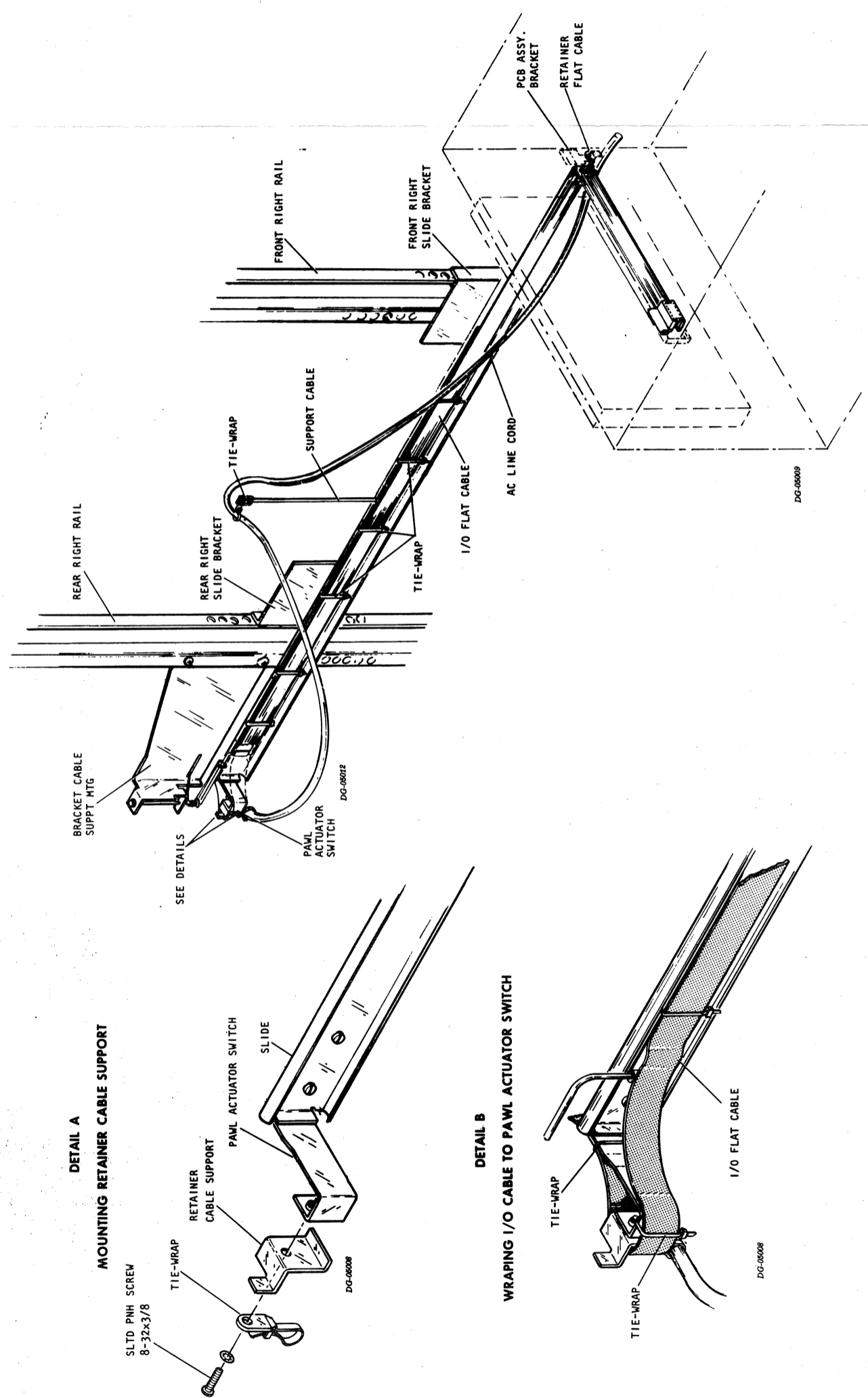
CHECK CLEARANCES BETWEEN DRIVE AND OTHER EQUIPMENT

THIS DRAWING AND SPECIFICATIONS, HEREIN, ARE THE PROPERTY OF DATA GENERAL CORPORATION AND SHALL NOT BE REPRODUCED OR COPIED IN ANY MANNER WITHOUT THE WRITTEN PERMISSION OF DATA GENERAL CORPORATION.		REV ECO APP DATE	DRAWN CHECKED ENGINEER	APPROVED FIRST USED ON CODE IDENT 34984	TITLE 10 MBYTE microNOVA DG/ DISC STORAGE SUB- SYSTEM SERIES 6095	DATA GENERAL CORPORATION SOUTHBORO MASSACHUSETTS 01772 SIZE CODE C 010 DRAWING NUMBER 000203 REV 02
---	--	---------------------------	------------------------------	---	--	---

4 3 2 1

# INSTALLATION IN A CABINET (Cont.) ATTACHING I/O AND AC LINE CABLES

5. ATTACH I/O AND POWER CABLES WHEN DRIVE IS EXTENDED INTO FULL FORWARD LOCK POSITION, ASSEMBLE AS FOLLOWS:
- A) POSITION CABLE ASSY ONTO RETAINER FLAT CABLE.
  - B) SECURE FLAT I/O CABLE TO SUPPORT, AND PAWL ACTUATOR SWITCH USING TIE-WRAP AS SHOWN.
  - C) ASSEMBLE AC LINE CORD INTO TIE-WRAP IN TWO PLACES AS SHOWN.



**DETAIL A**  
MOUNTING RETAINER CABLE SUPPORT

**DETAIL B**  
WRAPPING I/O CABLE TO PAWL ACTUATOR SWITCH

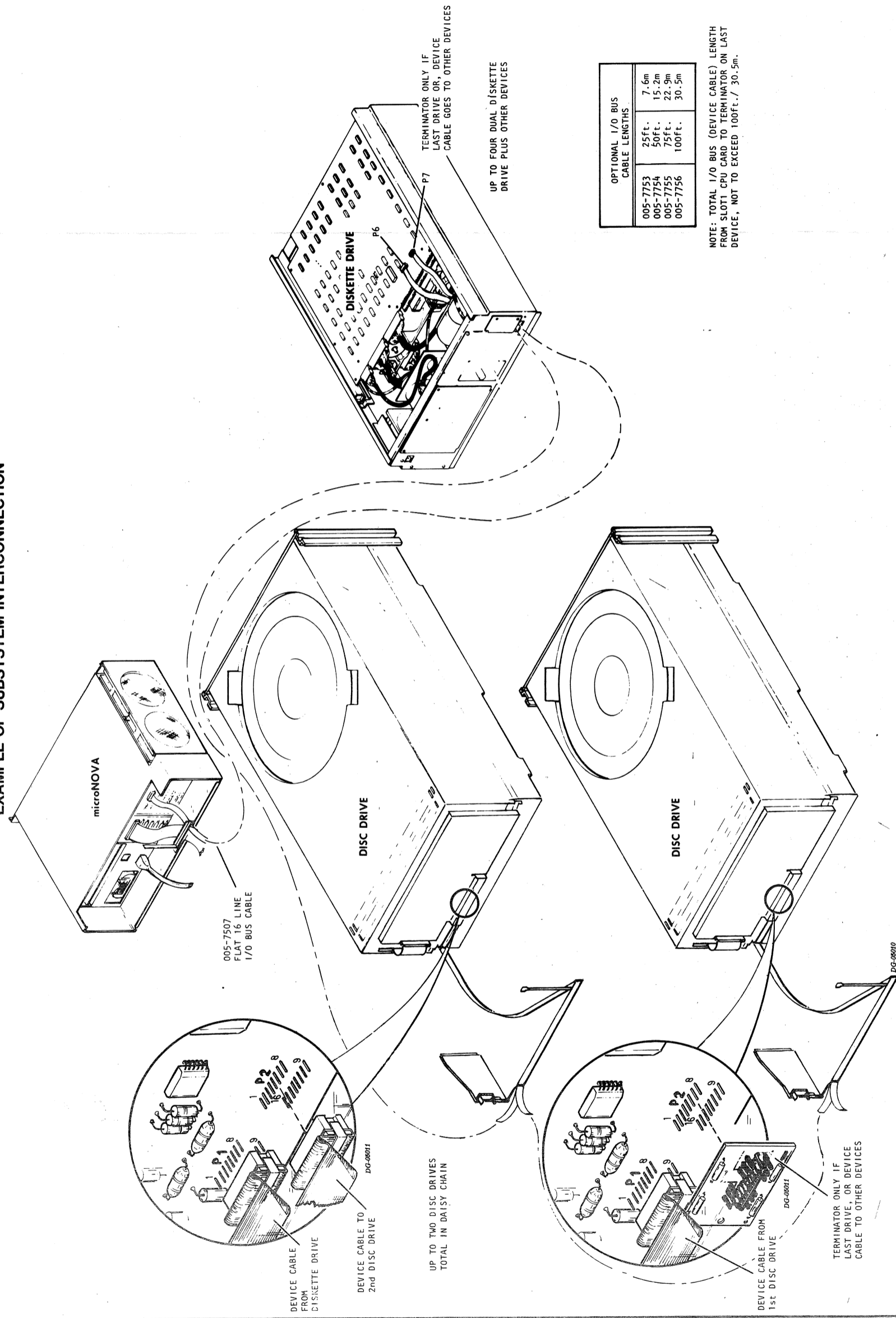
THIS DRAWING AND SPECIFICATIONS HEREIN ARE THE PROPERTY OF DATA GENERAL CORPORATION AND SHALL NOT BE REPRODUCED OR COPIED OR USED IN WHOLE OR IN PART AS THE BASIS FOR MANUFACTURE OR SALE OF ITEMS WITHOUT WRITTEN PERMISSION.		REV	ECO	APP	DATE	APPROVED	FIRST USED ON	CODE IDENT	34984	2	1	7	8			
DATA GENERAL CORPORATION SOUTHBORO MASSACHUSETTS 01772											SIZE	C 100	DRAWING NUMBER	000203	REV	02
10 MBYTE microNOVA DG/ DISC STORAGE SUB- SYSTEM SERIES 6095											SHEET 7 OF 8					

013-00840  
BRUNING 40-526 27928



# EXTERNAL CABLING

## EXAMPLE OF SUBSYSTEM INTERCONNECTION



REV	ECO	APP	DATE	DRAWN	CHECKED	ENGINEER	APPROVED	FIRST USED ON	CODE IDENT	34984

THIS DRAWING AND SPECIFICATIONS HEREIN ARE THE PROPERTY OF DATA GENERAL CORPORATION AND SHALL NOT BE REPRODUCED OR COPIED OR USED IN WHOLE OR IN PART AS THE BASIS FOR REPRODUCTION OR SALE OF ITEMS WITHOUT WRITTEN PERMISSION.

013-000840 BRUNING 40-526 27928

DATA GENERAL CORPORATION  
SOUTHBORO MASSACHUSETTS 01772

SIZE CODE C 010 DRAWING NUMBER 000203 REV 02