

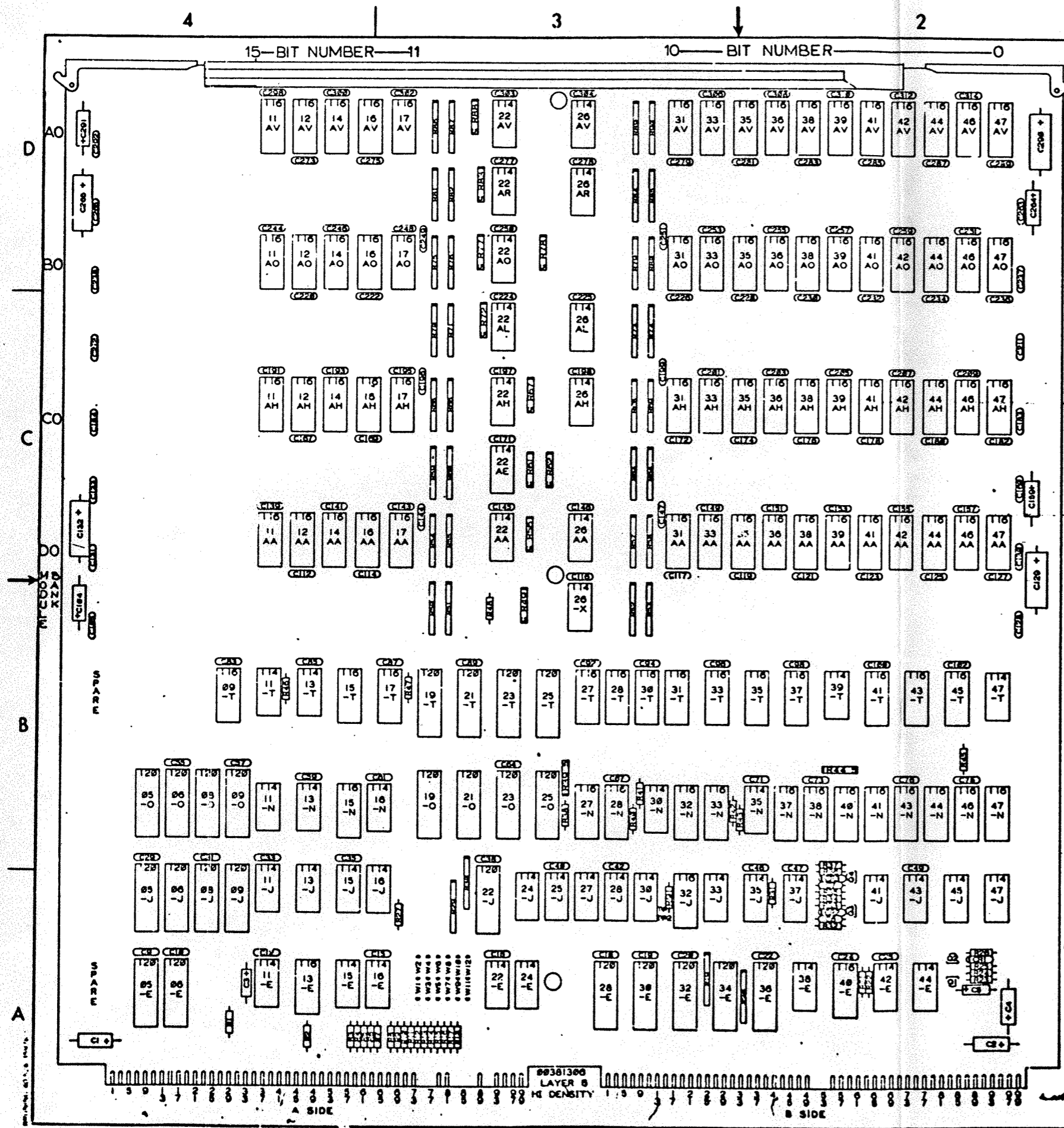
REVISIONS				
REV	DESCRIPTION	DRFTG	APP BY	DATE
04	ECC F878			2-22-68
05	PER ECO 10831			6-1-68
06	PER ECO 9825E			7-22-68

NOTE:  
 FOR ASSEMBLY 005 012128 16K  
 MEMORY RAM PART NUMBER  
 IS 100-1250  
 FOR ASSEMBLY 005 012136 64K  
 MEMORY RAM PART NUMBER  
 IS 100-1100

001001229- 05  
 003001320- 06  
 107000813- 03

DRAWN		7/18/74
CHECKED		
DESIGNED BY		7/20/74
APPROVED		
PREPARED ON 005012128-7 005012129-4		
SCALE	DATE	

DATA GENERAL CORPORATION WESTBORO, MASS. 01581			
TITLE IPL 16/64			
SIZE	CODE	DRAWING NUMBER	REV
C	016	000 674	06



REVISIONS				
REV	DESCRIPTION	DRFTG	APP BY	DATE

THIS DRAWING AND SPECIFICATION HEREIN ARE THE PROPERTY OF DATA GENERAL CORPORATION AND SHALL NOT BE REPRODUCED OR COPIED OR USED IN WHOLE OR IN PART WITHOUT WRITTEN PERMISSION.

DRAWN	AB	7/18/77
CHECKED		7/19/77
ENGINEER	F. DUBEN	7/20/77
APPROVED		
FIRST USED ON		
SCALE	CODE IDENT	

**DATA GENERAL CORPORATION**  
WESTBORO, MASS. 01581

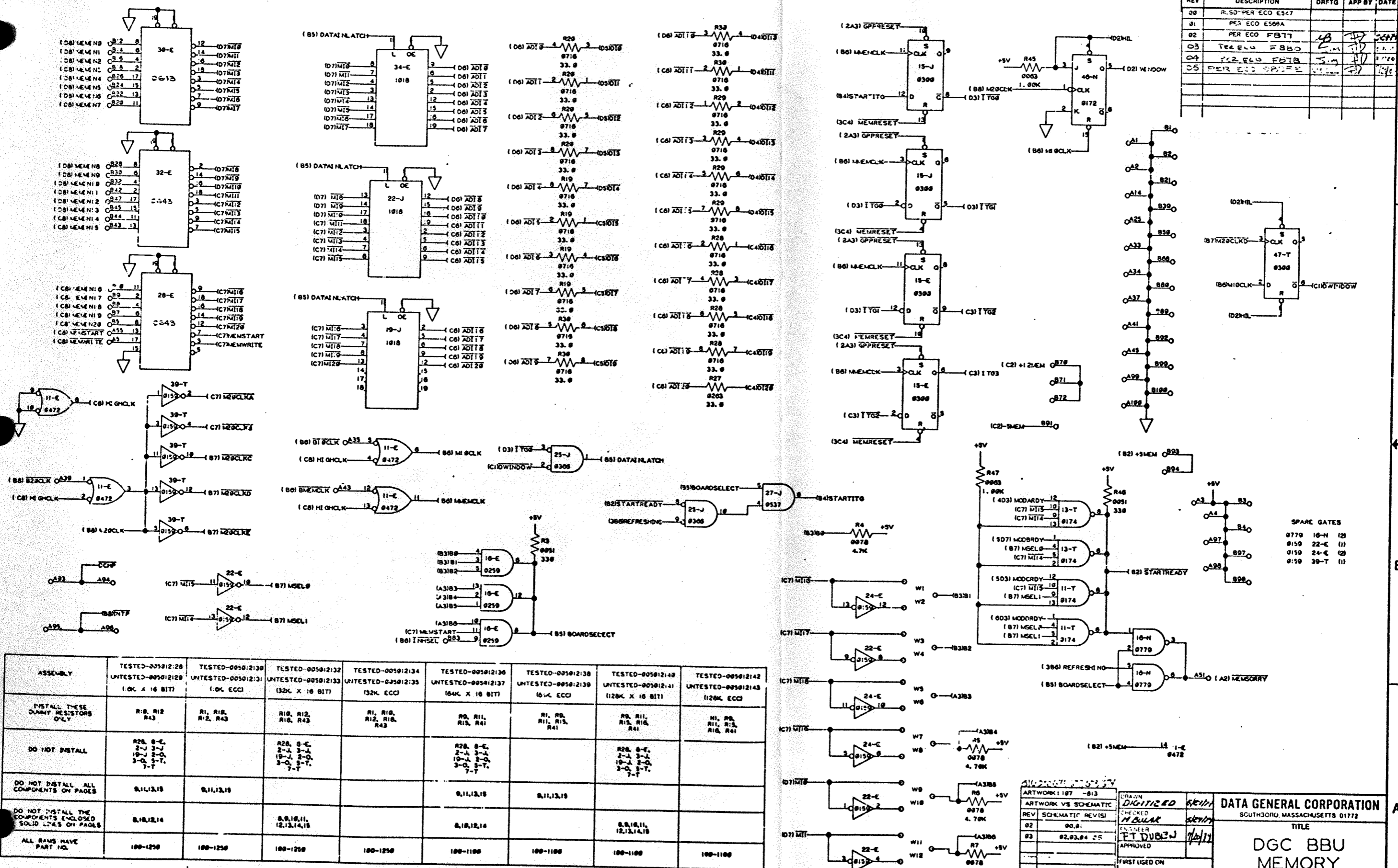
TITLE  
**IPL**  
**16/64**

SIZE	CODE	DRAWING NUMBER	REV
C 016	000	674	06

SHEET 2 OF 2

8395K

REVISIONS				
REV	DESCRIPTION	DRFTG	APP BY	DATE
00	RLSD PER ECO E5C7			
01	PER ECO E509A			
02	PER ECO FB77			
03	PER ECO FB80			
04	PER ECO FB78			
05	PER ECO FB79			



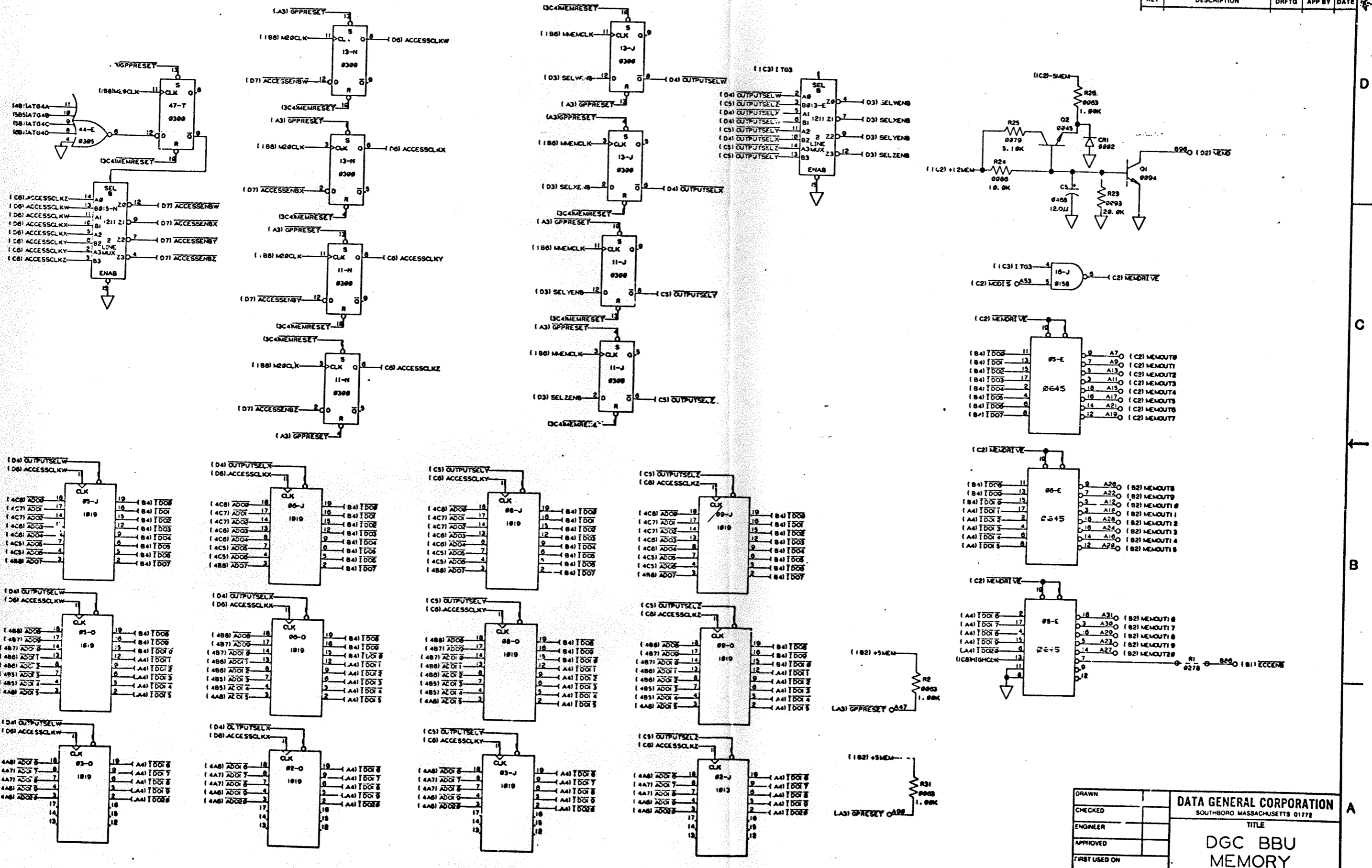
ASSEMBLY	TESTED-005012:28 UNTESTED-005012:29 (10K X 16 BIT)	TESTED-005012:30 UNTESTED-005012:31 (10K ECC)	TESTED-005012:32 UNTESTED-005012:33 (32K X 16 BIT)	TESTED-005012:34 UNTESTED-005012:35 (32K ECC)	TESTED-005012:36 UNTESTED-005012:37 (164K X 16 BIT)	TESTED-005012:38 UNTESTED-005012:39 (16K ECC)	TESTED-005012:40 UNTESTED-005012:41 (128K X 16 BIT)	TESTED-005012:42 UNTESTED-005012:43 (128K ECC)
INSTALL THESE DUMMY RESISTORS ONLY	R10, R12, R43	R1, R10, R12, R43	R10, R12, R10, R43	R1, R10, R12, R10, R43	R0, R11, R11, R13, R41	R1, R0, R11, R13, R41	R0, R11, R11, R13, R41	R1, R0, R11, R13, R10, R41
DO NOT INSTALL	R20, 0-E, 2-J, 3-J, 19-J, 2-Q, 3-Q, 3-T, 7-T		R20, 0-E, 2-A, 3-A, 19-J, 2-Q, 3-Q, 3-T, 7-T		R20, 0-E, 2-A, 3-A, 19-J, 2-Q, 3-Q, 3-T, 7-T		R20, 0-E, 2-A, 3-A, 19-J, 2-Q, 3-Q, 3-T, 7-T	
DO NOT INSTALL ALL COMPONENTS ON PAGES	0,11,13,15	0,11,13,15			0,11,13,15	0,11,13,15		
DO NOT INSTALL THE COMPONENTS ENCLOSED SOLID L743 ON PAGES	0,10,12,14		0,0,10,11, 12,13,14,15		0,10,12,14		0,0,10,11, 12,13,14,15	
ALL RAYS HAVE PART NO.	100-1250	100-1250	100-1250	100-1250	100-1100	100-1100	100-1100	100-1100

ARTWORK: 107 - 013	DRAWN: <i>SK/11</i>	<b>DATA GENERAL CORPORATION</b> SOUTHBORO, MASSACHUSETTS 01772  <b>TITLE</b> <b>DGC BBU MEMORY</b>
ARTWORK VS SCHEMATIC	CHECKED: <i>SK/11</i>	
REV 02	SCHEMATIC REVIS: <i>SK/11</i>	
03	00.0	
04	02.03.04 05	
ENGINEER: <i>ET DUBOJ</i>	DATE: <i>7/2/77</i>	FIRST USED ON SEE CHART SIZE CODE: <i>00100122905</i>

SPARE GATES  
 0770 10-N (2)  
 0150 22-E (1)  
 0150 24-E (2)  
 0150 30-T (1)

THIS DRAWING AND SPECIFICATIONS HEREIN ARE THE PROPERTY OF DATA GENERAL CORPORATION. NO PART HEREOF IS TO BE REPRODUCED OR COPIED IN ANY MANNER WITHOUT THE WRITTEN PERMISSION OF DATA GENERAL CORPORATION.

REVISIONS			
REV	DESCRIPTION	DRFTG	APP BY DATE

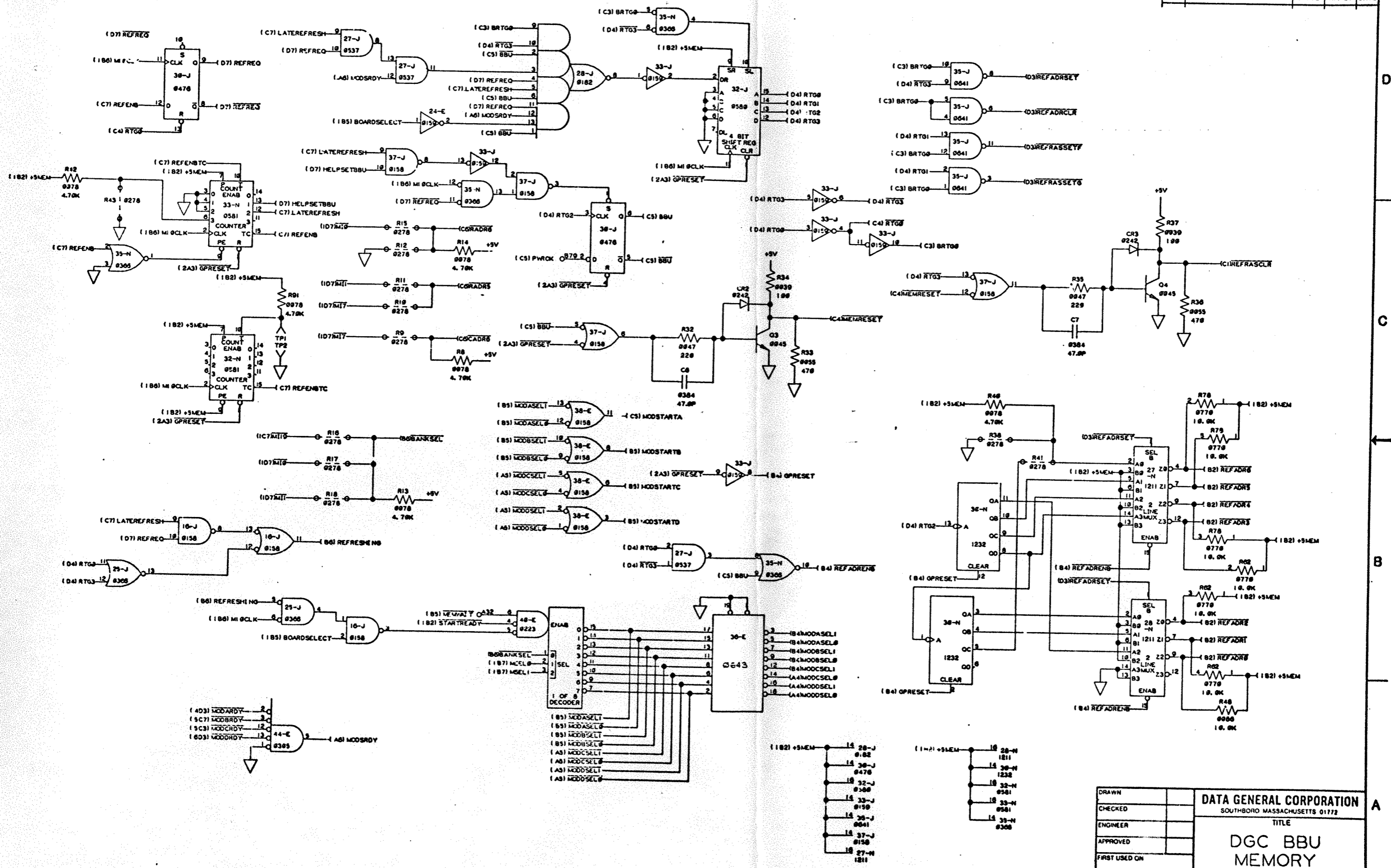


DRAWN		<b>DATA GENERAL CORPORATION</b> SOUTHBORO, MASSACHUSETTS 01772 TITLE <b>DGC BBU MEMORY</b>	
CHECKED			
ENGINEER			
APPROVED			
FIRST USED ON			
SIZE	D	DRAWING NUMBER	001001229
		REV	05



THIS DRAWING AND SPECIFICATIONS HEREIN ARE THE PROPERTY OF DATA GENERAL CORPORATION AND SHALL NOT BE REPRODUCED OR COPIED IN ANY MANNER OR IN ANY MANNER AS THE BASIS FOR MANUFACTURE OR SALE OF ITEMS WITHOUT WRITTEN PERMISSION.

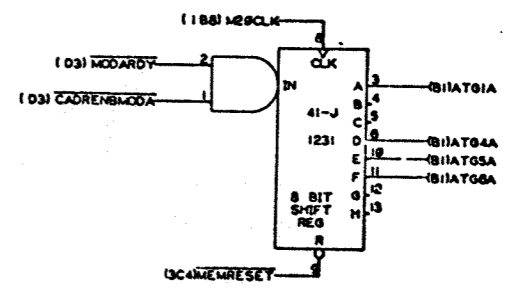
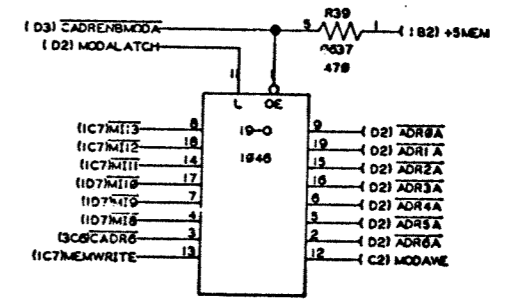
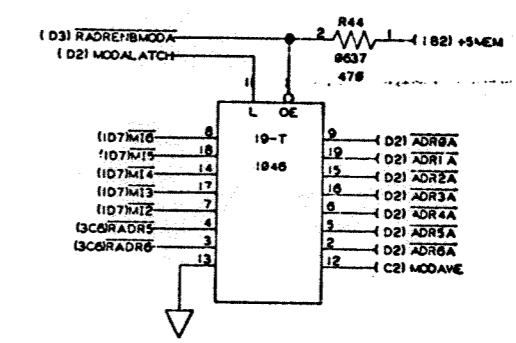
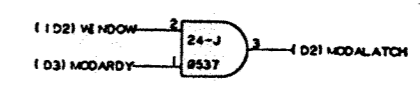
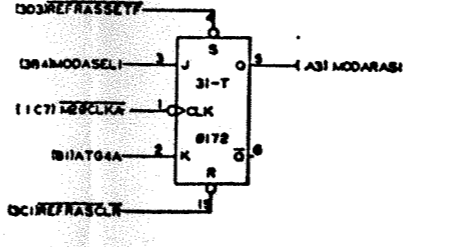
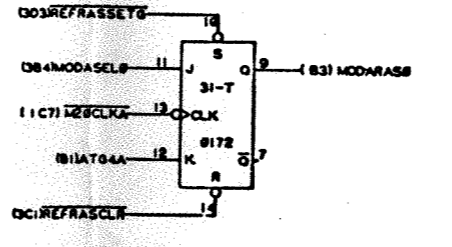
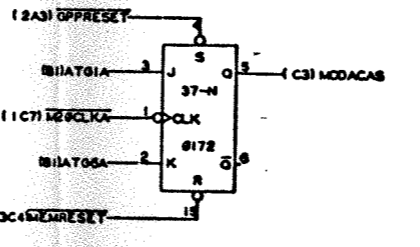
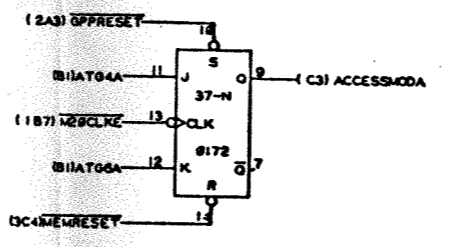
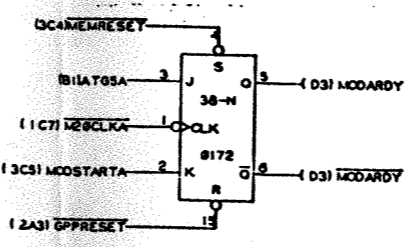
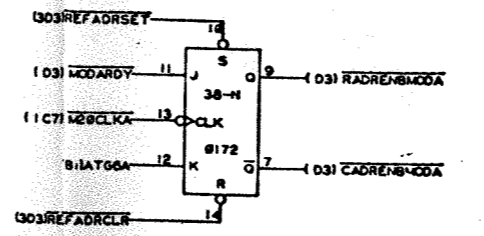
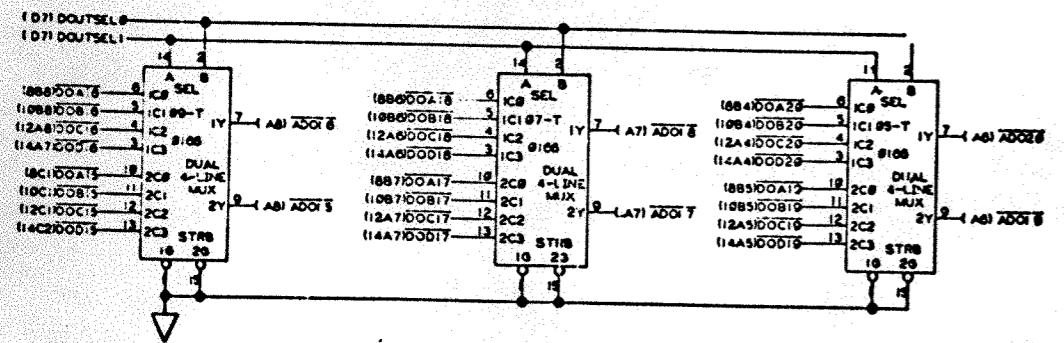
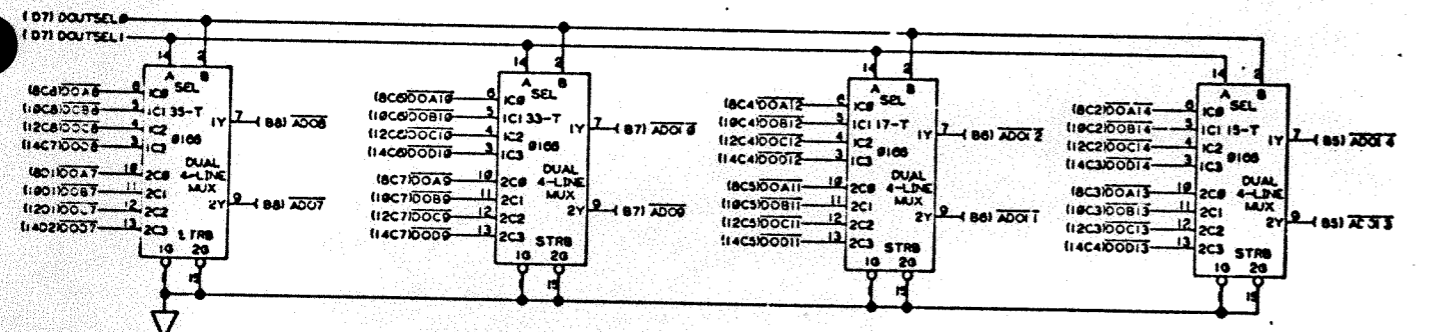
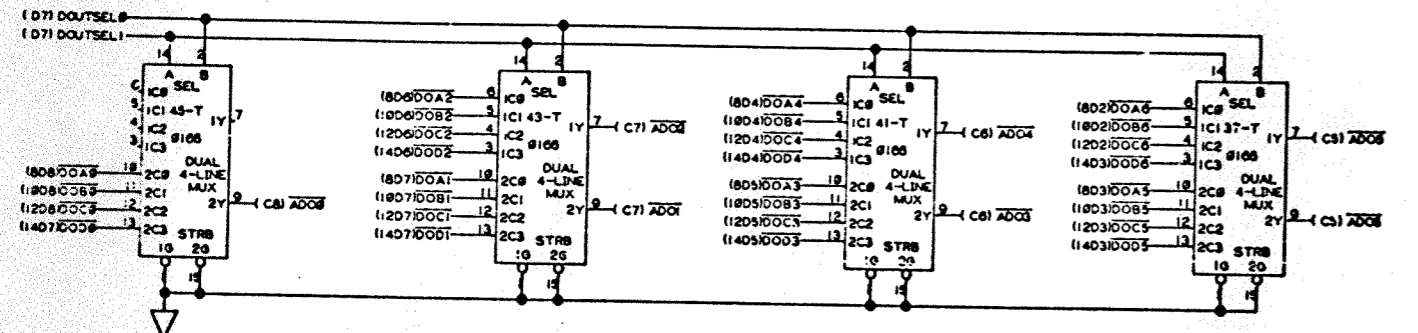
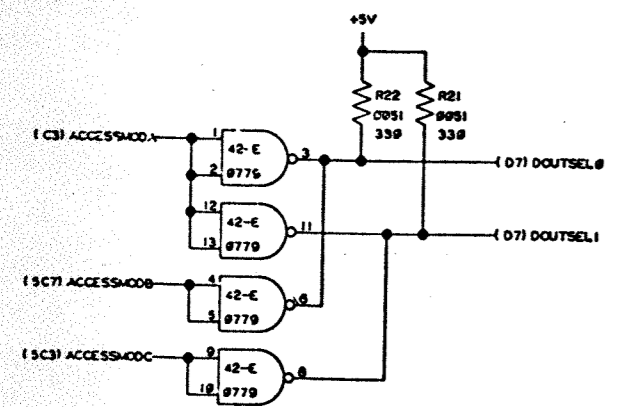
REVISIONS				
REV	DESCRIPTION	DRFTG	APP BY	DATE



DRAWN		<b>DATA GENERAL CORPORATION</b> SOUTH BORO MASSACHUSETTS 01772 TITLE <b>DGC BBU MEMORY</b>	
CHECKED			
ENGINEER			
APPROVED			
FIRST USED ON			
SIZE	CODE	DRAWING NUMBER	REV
D	001001	229	25

THE DRAWING AND SPECIFICATIONS HEREIN ARE THE PROPERTY OF DATA GENERAL CORPORATION AND SHALL NOT BE REPRODUCED OR COPIED OR USED IN WHOLE OR IN PART AS THE BASIS FOR MANUFACTURE OR SALE OF ITEMS WITHOUT WRITTEN PERMISSION

REVISIONS				
REV	DESCRIPTION	DRFTG	APP BY	DATE



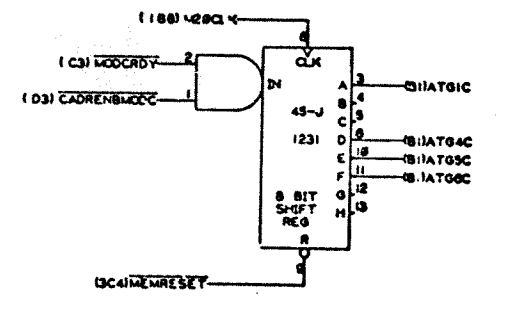
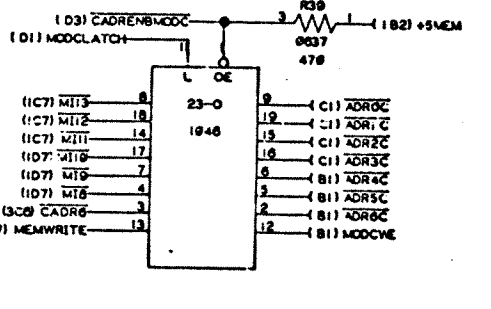
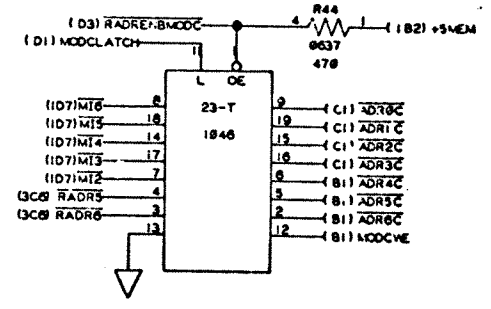
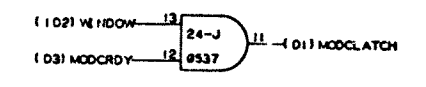
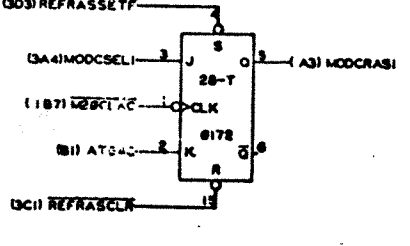
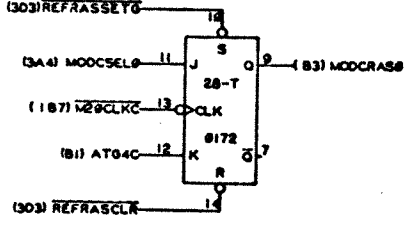
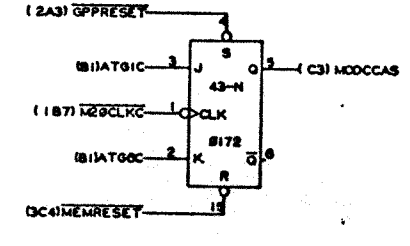
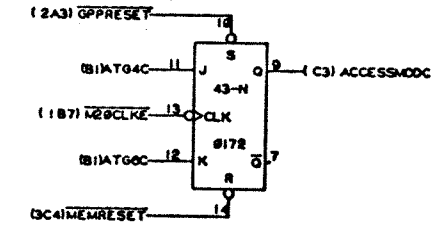
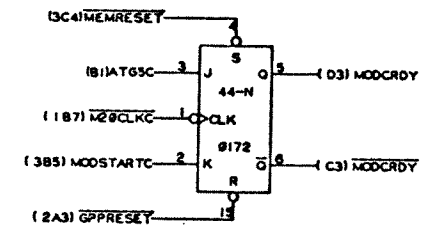
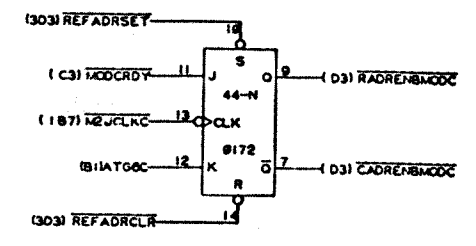
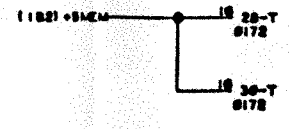
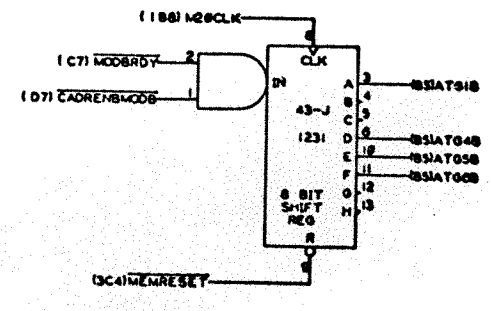
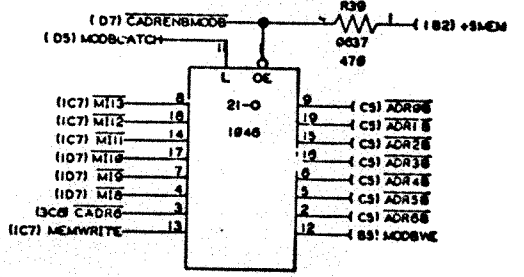
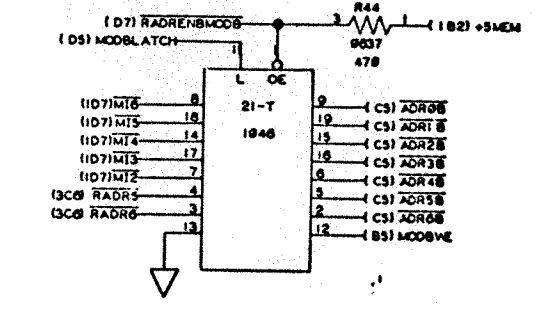
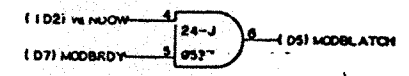
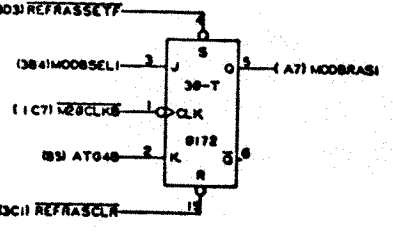
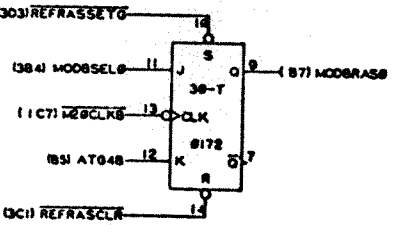
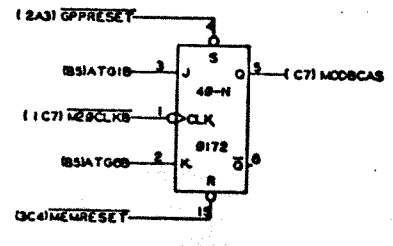
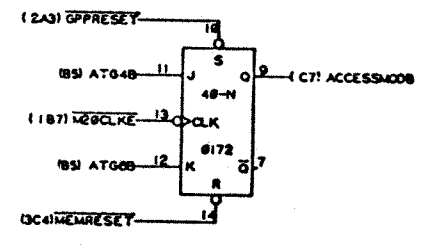
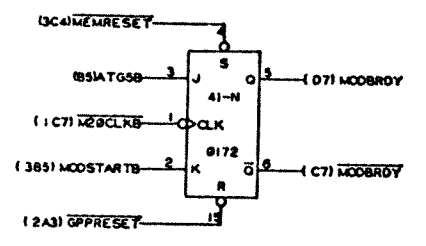
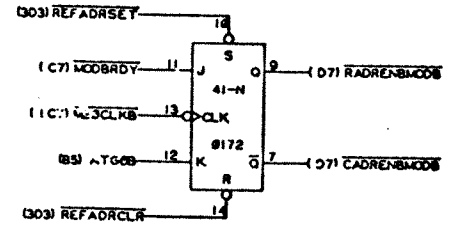
(182) +5MEM 18 31-T 9172

DRAWN	CHEGNEO	ENGINEER	APPROVED	FIRST USED ON

DATA GENERAL CORPORATION	
SOUTHBORO, MASSACHUSETTS 01772	
TITLE	
DGC BBU MEMORY	
SIZE	CODE
D	001001229
REV	15

THIS DRAWING AND THE SPECIFICATIONS HEREIN ARE THE PROPERTY OF DATA GENERAL CORPORATION AND SHALL NOT BE REPRODUCED OR TRANSMITTED IN ANY FORM OR BY ANY MEANS, ELECTRONIC OR MECHANICAL, INCLUDING PHOTOCOPYING, RECORDING, OR BY ANY INFORMATION STORAGE AND RETRIEVAL SYSTEM, WITHOUT THE WRITTEN PERMISSION OF DATA GENERAL CORPORATION.

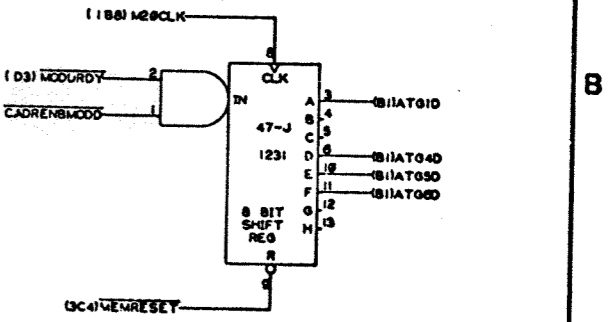
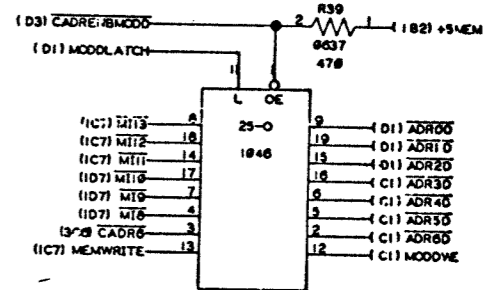
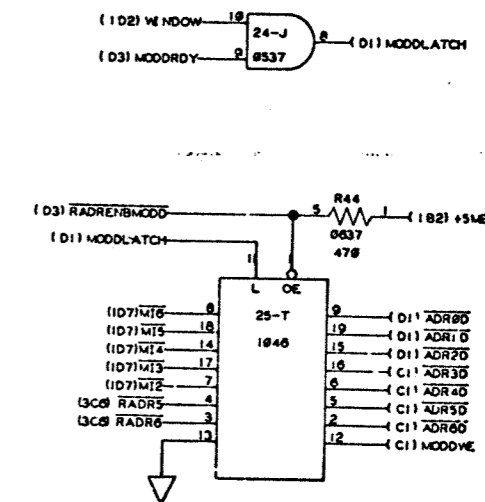
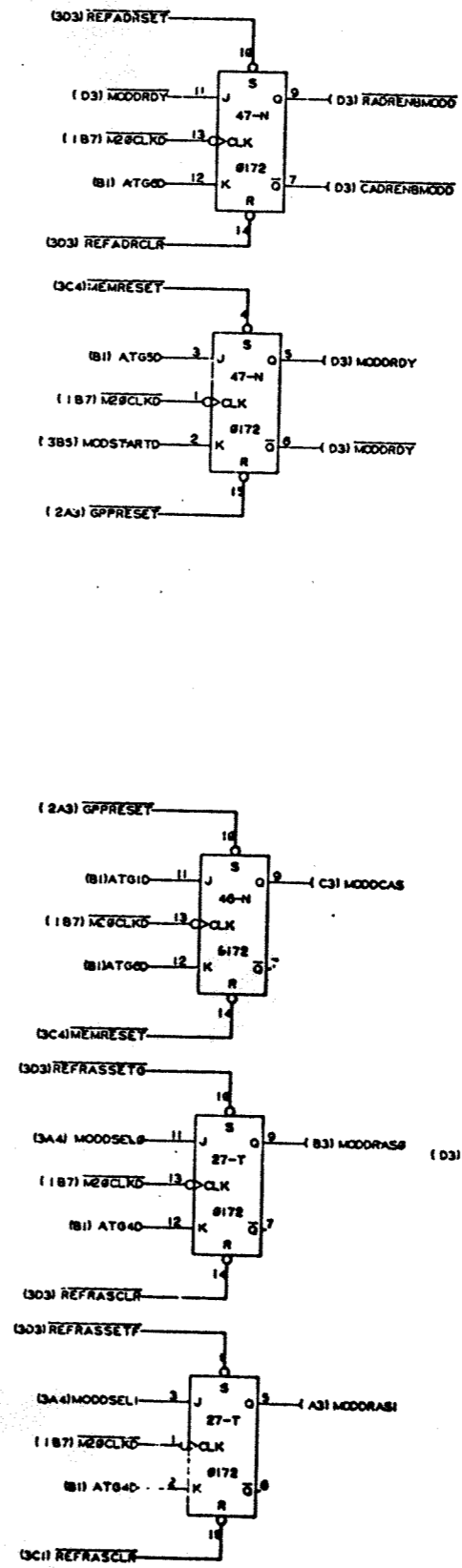
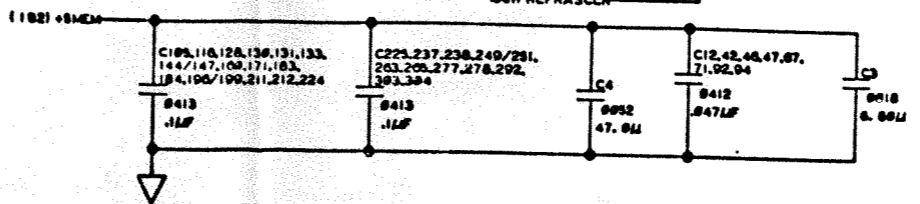
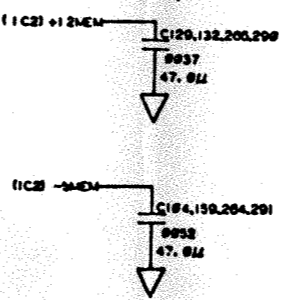
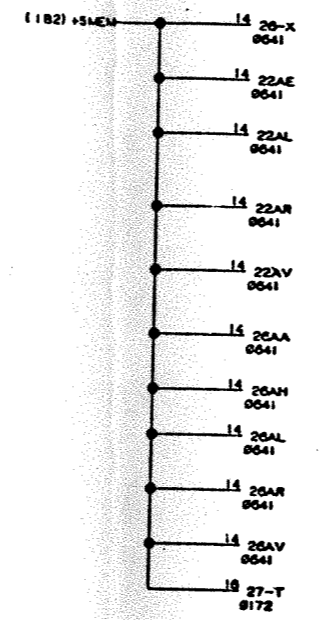
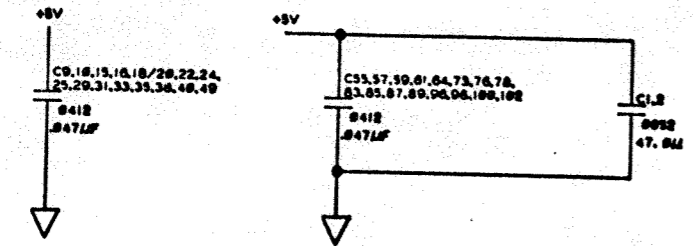
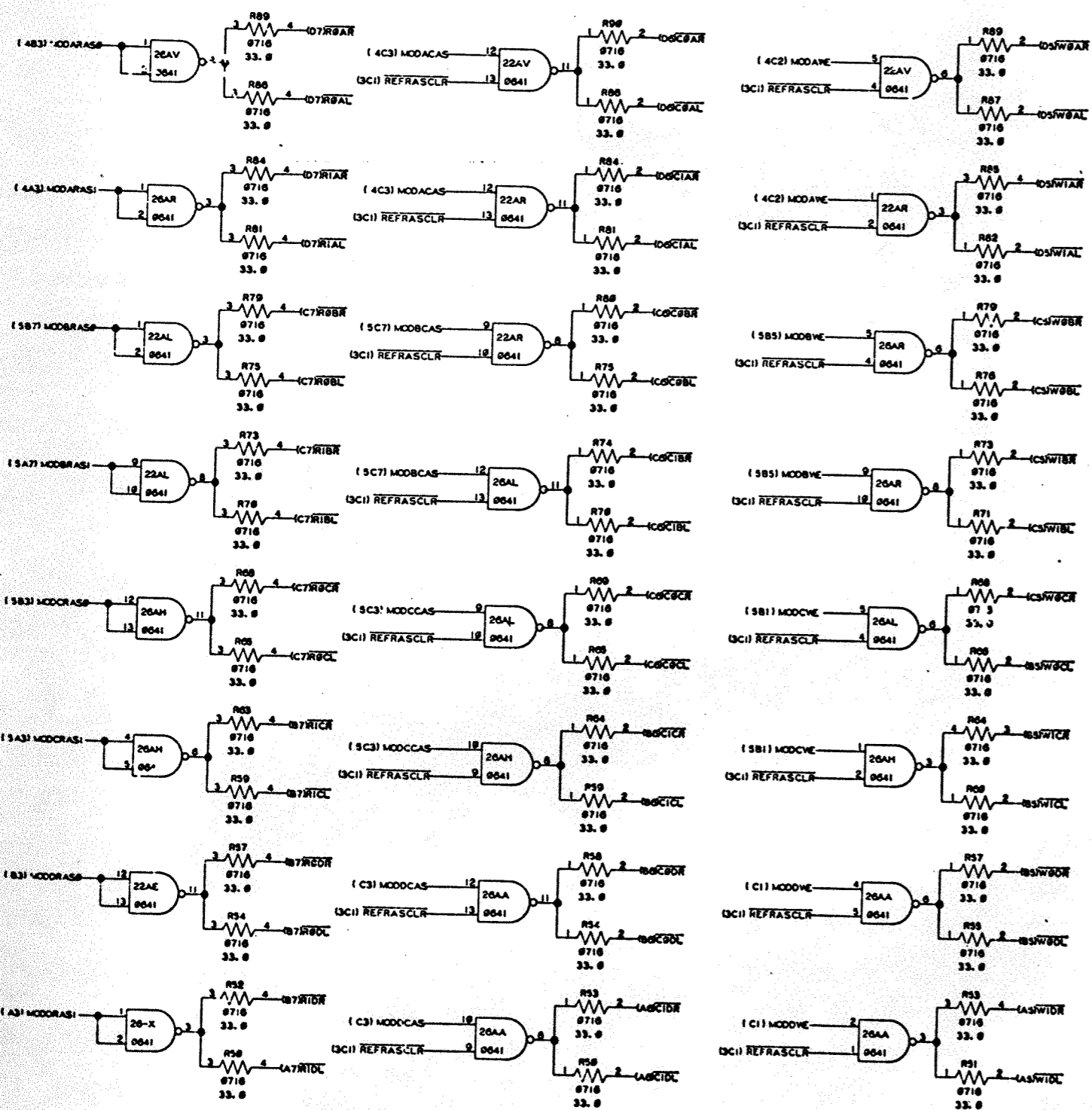
REVISIONS			
REV	DESCRIPTION	DRFTG	APP BY DATE



DRAWN		DATA GENERAL CORPORATION	
CHECKED		SOUTHBORO, MASSACHUSETTS 01772	
ENGINEER		TITLE	
APPROVED		DGC BBU	
FIRST USED ON		MEMORY	
SIZE	CODE	DRAWING NUMBER	REV
	D	001001229	25

ALL DIMENSIONS AND SPECIFICATIONS HEREIN ARE THE PROPERTY OF DATA GENERAL CORPORATION AND SHALL NOT BE REPRODUCED OR TRANSMITTED IN ANY FORM OR BY ANY MEANS, ELECTRONIC OR MECHANICAL, INCLUDING PHOTOCOPYING, RECORDING, OR BY ANY INFORMATION STORAGE AND RETRIEVAL SYSTEM, WITHOUT THE WRITTEN PERMISSION OF DATA GENERAL CORPORATION.

REVISIONS			
REV	DESCRIPTION	DRFTG	APP BY DATE

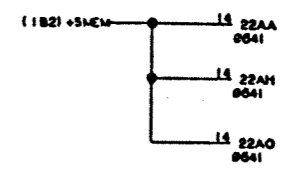
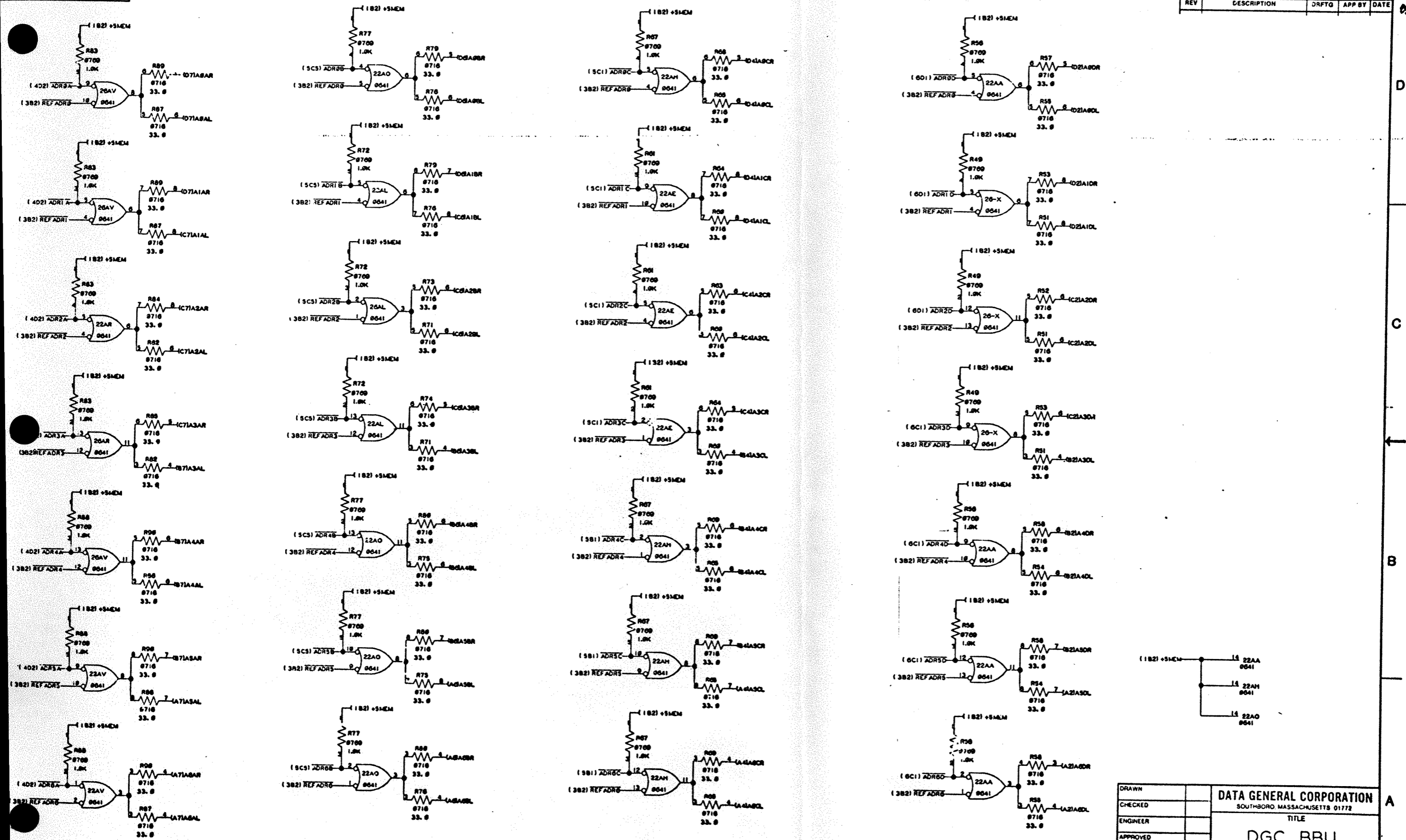


DRAWN		<b>DATA GENERAL CORPORATION</b> SOUTH BORO, MASSACHUSETTS 01172 TITLE <b>DGC BBU MEMORY</b>	SIZE CODE DRAWING NUMBER REV C 001001229 35
CHECKED			
ENGINEER			
APPROVED			
FIRST USED ON			
DRAWN		TITLE	
CHECKED		SOUTH BORO, MASSACHUSETTS 01172	
ENGINEER		DGC BBU MEMORY	
APPROVED		SIZE CODE DRAWING NUMBER REV	
FIRST USED ON		C 001001229 35	



THE DRAWING AND SPECIFICATIONS HEREIN ARE THE PROPERTY OF DATA GENERAL CORPORATION AND SHALL NOT BE REPRODUCED OR TRANSMITTED IN ANY FORM OR BY ANY MEANS, ELECTRONIC OR MECHANICAL, INCLUDING PHOTOCOPYING, RECORDING, OR BY ANY INFORMATION STORAGE AND RETRIEVAL SYSTEM, WITHOUT THE WRITTEN PERMISSION OF DATA GENERAL CORPORATION.

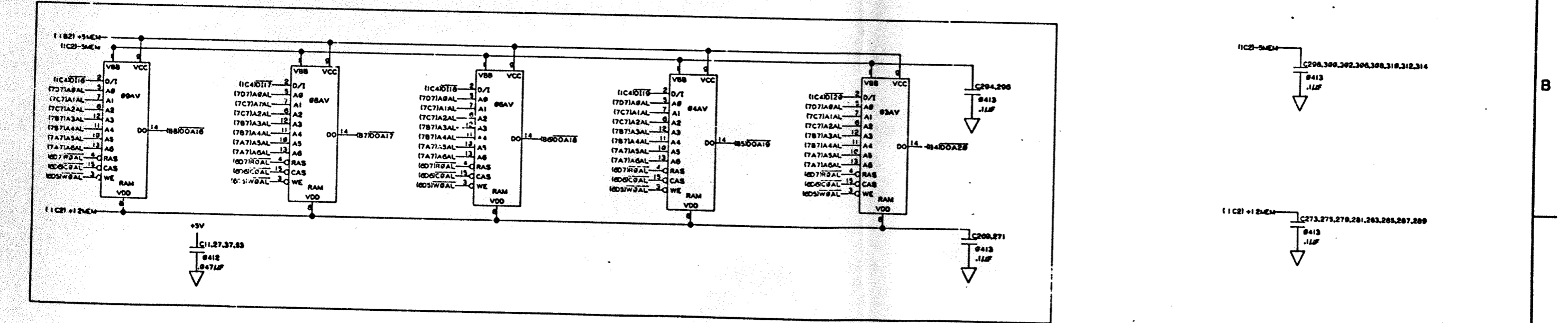
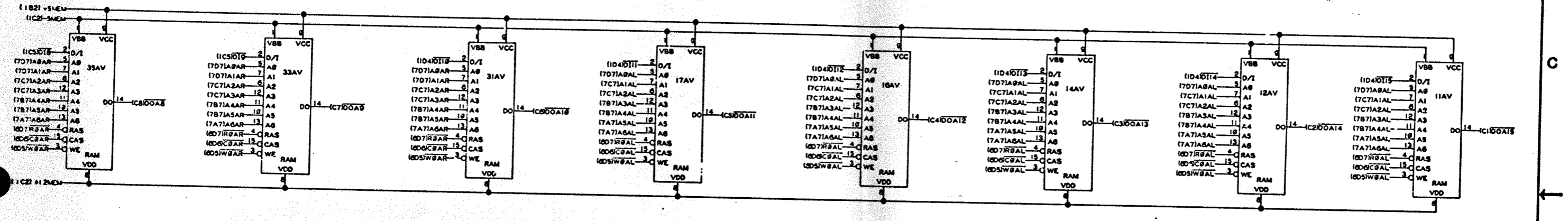
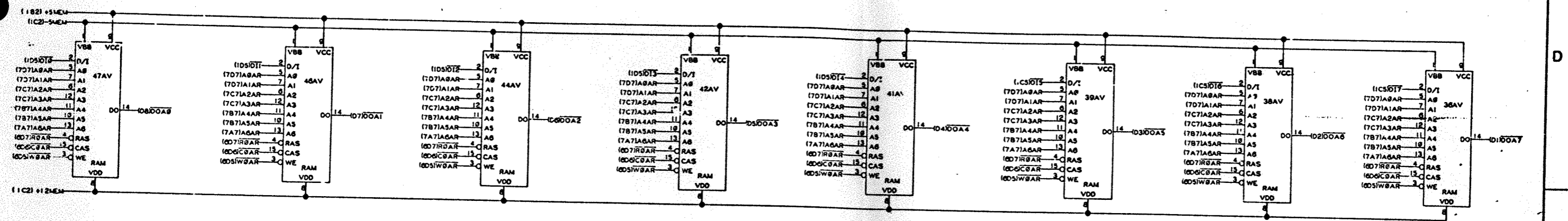
REVISIONS			
REV	DESCRIPTION	DRFTG	APP BY DATE



DRAWN		<b>DATA GENERAL CORPORATION</b> SOUTHBORO, MASSACHUSETTS 01772 TITLE <b>DGC BBU MEMORY</b>
CHECKED		
ENGINEER		
APPROVED		
FIRST USED ON		SIZE CODE DRAWING NUMBER REV D 001001229 05

THIS DRAWING AND SPECIFICATIONS HEREIN ARE THE PROPERTY OF DATA GENERAL CORPORATION AND SHALL NOT BE REPRODUCED OR COPIED OR USED IN WHOLE OR IN PART AT THE BASIS OF ANY MANUFACTURE OR SALE OF ITEMS THEREOF WITHOUT WRITTEN PERMISSION.

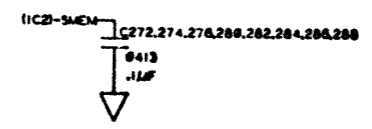
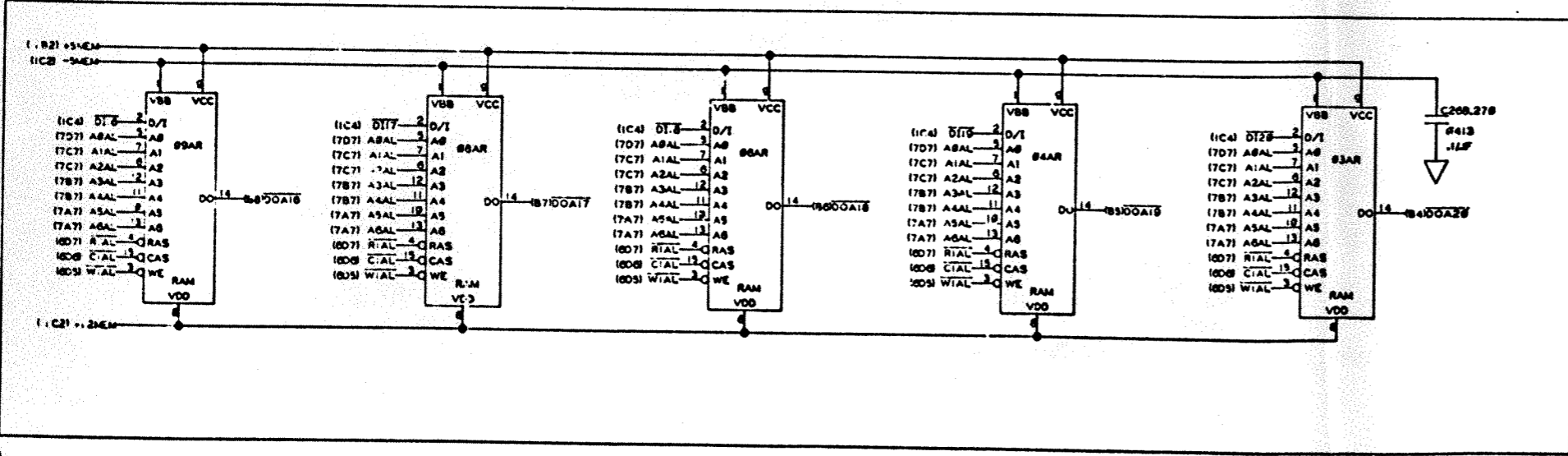
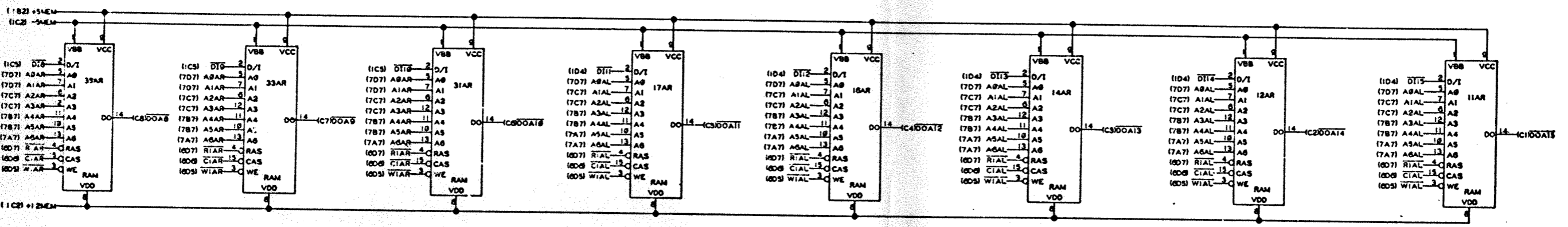
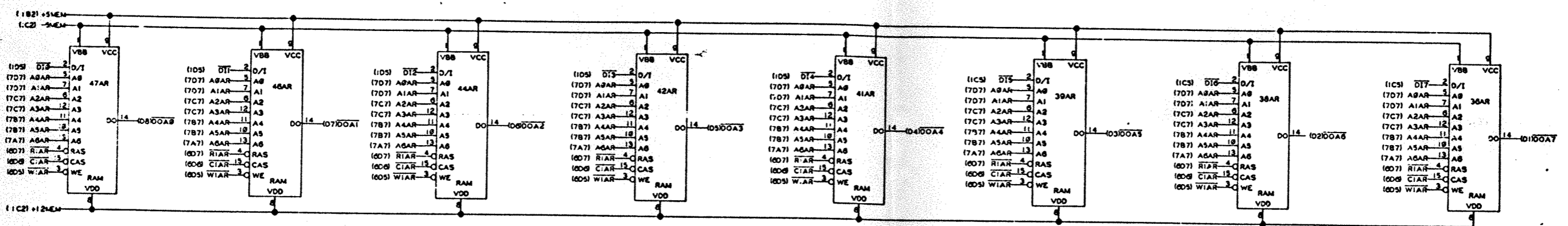
REVISIONS			
REV	DESCRIPTION	DRFTG	APP BY DATE



DRAWN		<b>DATA GENERAL CORPORATION</b> SOUTHBORO MASSACHUSETTS 01772 TITLE <b>DGC BBU MEMORY</b>	
CHECKED			
ENGINEER			
APPROVED			
FIRST USED ON			
SIZE	CODE	DRAWING NUMBER	REV
D		001001229	25

THIS DRAWING AND SPECIFICATIONS HEREIN ARE THE PROPERTY OF DATA GENERAL CORPORATION AND SHALL NOT BE REPRODUCED OR TRANSMITTED IN ANY FORM OR BY ANY MEANS, ELECTRONIC OR MECHANICAL, INCLUDING PHOTOCOPYING, RECORDING, OR BY ANY INFORMATION STORAGE AND RETRIEVAL SYSTEM, WITHOUT THE WRITTEN PERMISSION OF DATA GENERAL CORPORATION.

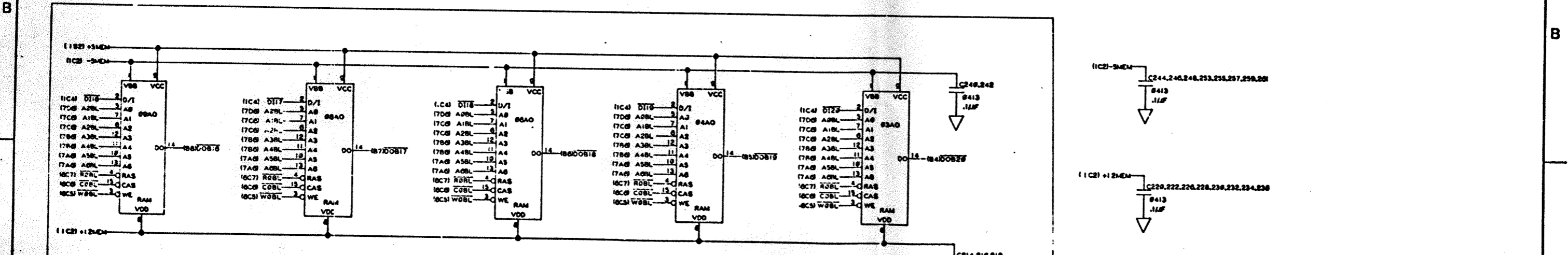
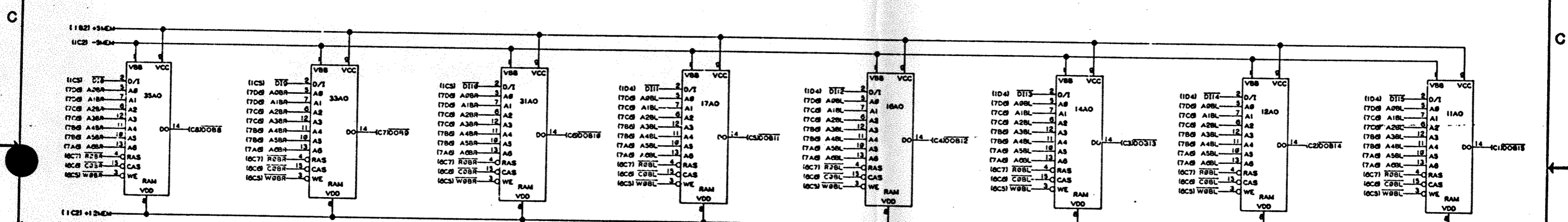
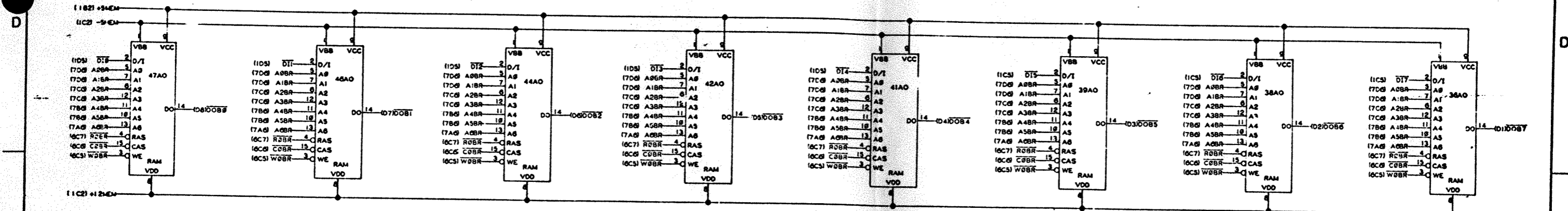
REVISIONS				
REV	DESCRIPTION	DRFTG	APP BY	DATE



DRAWN		<b>DATA GENERAL CORPORATION</b> SOUTHBORO, MASSACHUSETTS 01772 TITLE <b>DGC BBU MEMORY</b>	
CHECKED			
ENGINEER			
APPROVED			
FIRST USED ON			
SIZE	CODE	DRAWING NUMBER	REV
D		001001229	05

THIS DRAWING AND SPECIFICATIONS HEREIN ARE THE PROPERTY OF DATA GENERAL CORPORATION AND SHALL NOT BE REPRODUCED OR TRANSMITTED IN ANY FORM OR BY ANY MEANS, ELECTRONIC OR MECHANICAL, INCLUDING PHOTOCOPYING, RECORDING, OR BY ANY INFORMATION STORAGE AND RETRIEVAL SYSTEM, WITHOUT THE WRITTEN PERMISSION OF DATA GENERAL CORPORATION.

REVISIONS				
REV	DESCRIPTION	DRFTO	APP BY	DATE

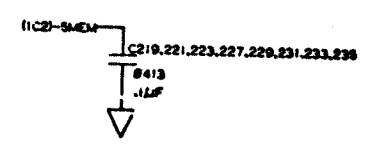
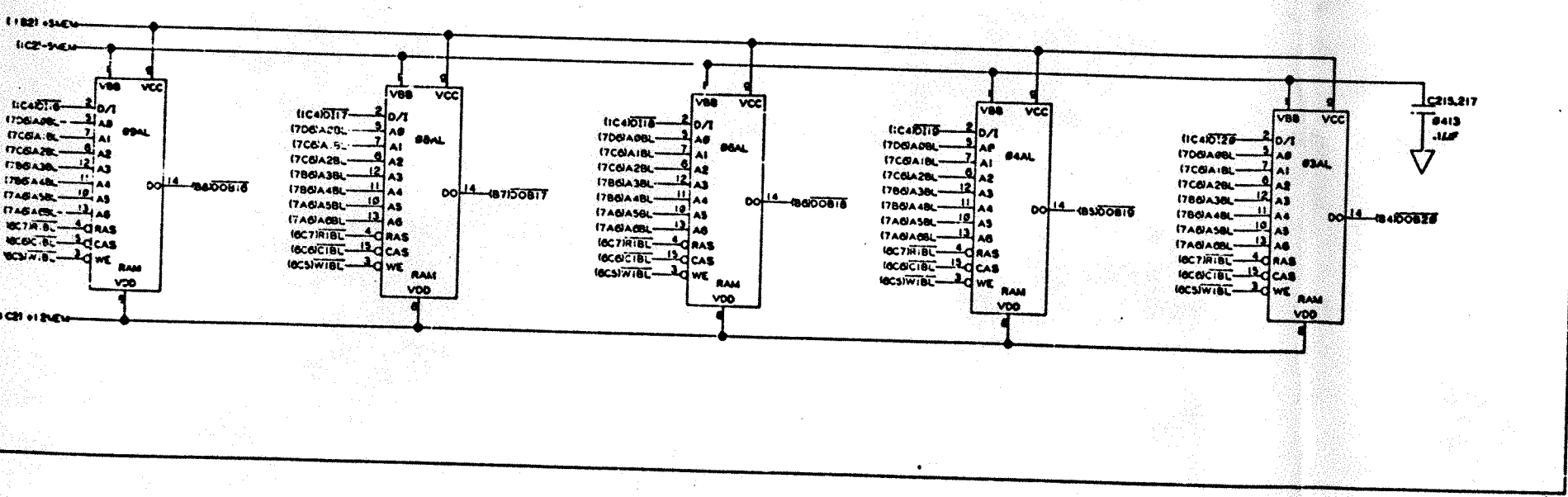
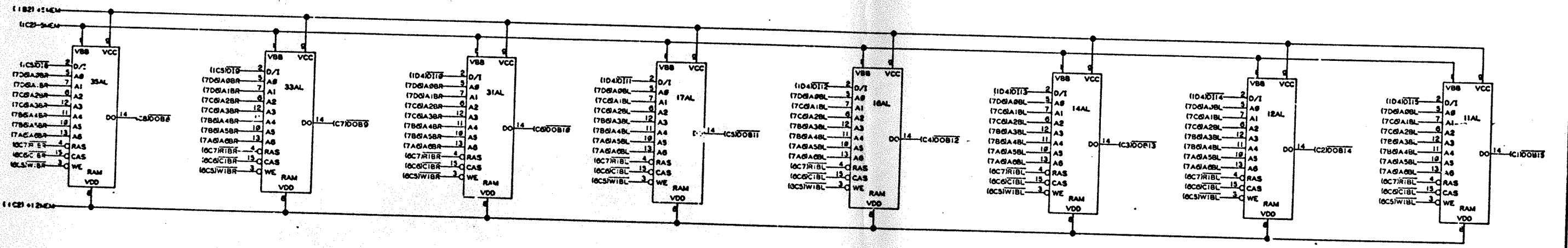
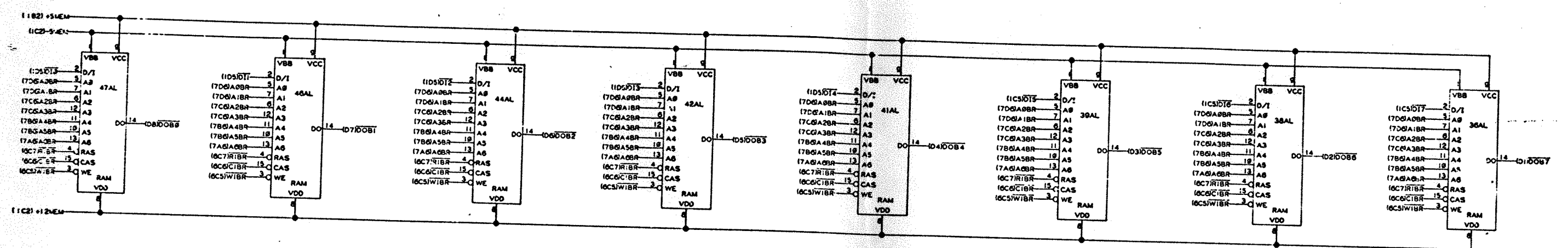


DRAWN		DATA GENERAL CORPORATION	
CHECKED		SOUTHBORO, MASSACHUSETTS 01772	
ENGINEER		TITLE	
APPROVED		DGC BBU	
FIRST USED ON		MEMORY	
SIZE	D	CODE	001001229
REV	15	DRAWING NUMBER	001001229



THE DIMENSIONS AND SPECIFICATIONS HEREIN ARE THE PROPERTY OF DATA GENERAL CORPORATION AND SHALL NOT BE REPRODUCED OR TRANSMITTED IN ANY FORM OR BY ANY MEANS, ELECTRONIC OR MECHANICAL, INCLUDING PHOTOCOPYING, RECORDING, OR BY ANY INFORMATION STORAGE AND RETRIEVAL SYSTEM.

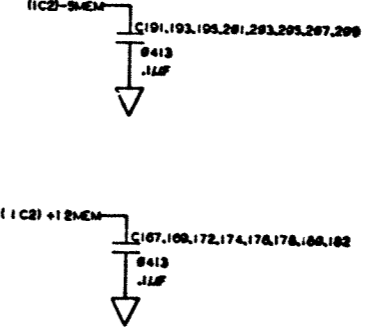
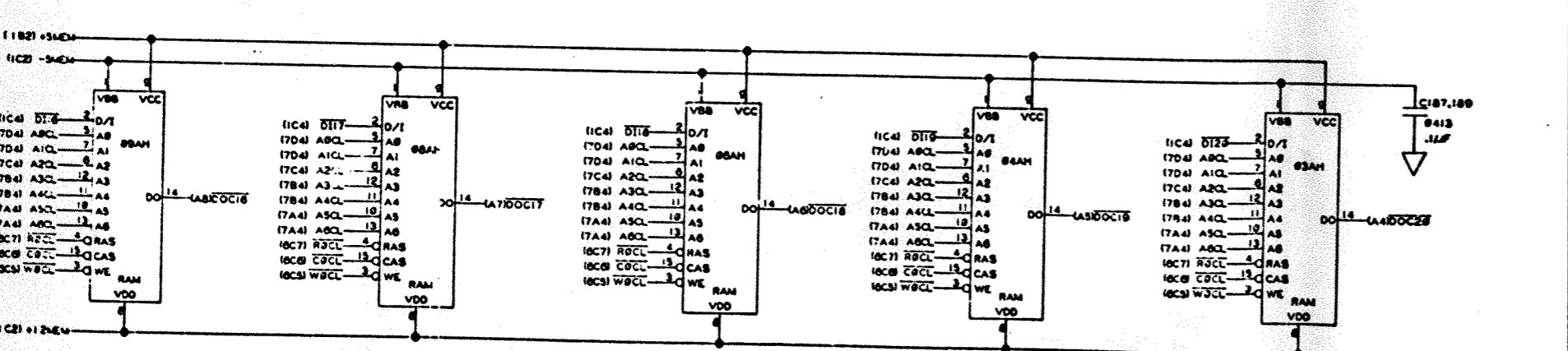
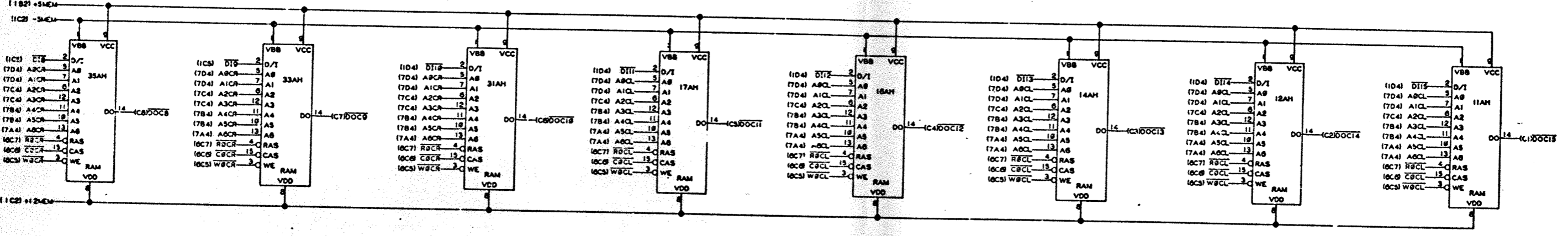
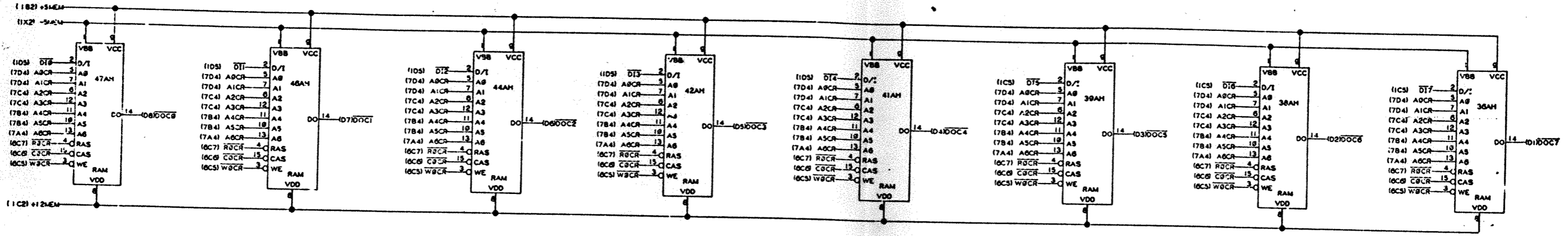
REVISIONS			
REV	DESCRIPTION	DRFTG	APP BY DATE



DRAWN		<b>DATA GENERAL CORPORATION</b> SOUTHBORO, MASSACHUSETTS 01772 TITLE <b>DGC BBU MEMORY</b> SIZE CODE DRAWING NUMBER REV D 001001229 25
CHECKED		
ENGINEER		
APPROVED		
FIRST USED ON		

THIS DRAWING AND SPECIFICATIONS HEREIN ARE THE PROPERTY OF DATA GENERAL CORPORATION AND SHALL NOT BE REPRODUCED OR TRANSMITTED IN ANY FORM OR BY ANY MEANS, ELECTRONIC OR MECHANICAL, INCLUDING PHOTOCOPYING, RECORDING, OR BY ANY INFORMATION STORAGE AND RETRIEVAL SYSTEM, WITHOUT PERMISSION.

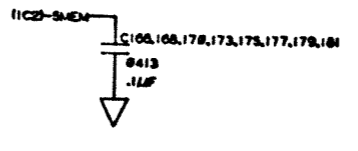
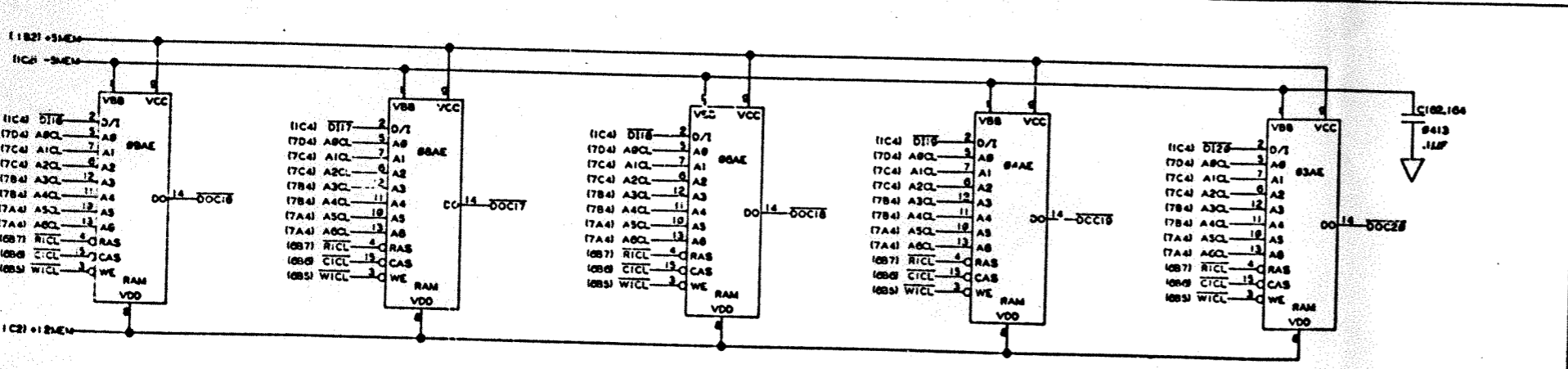
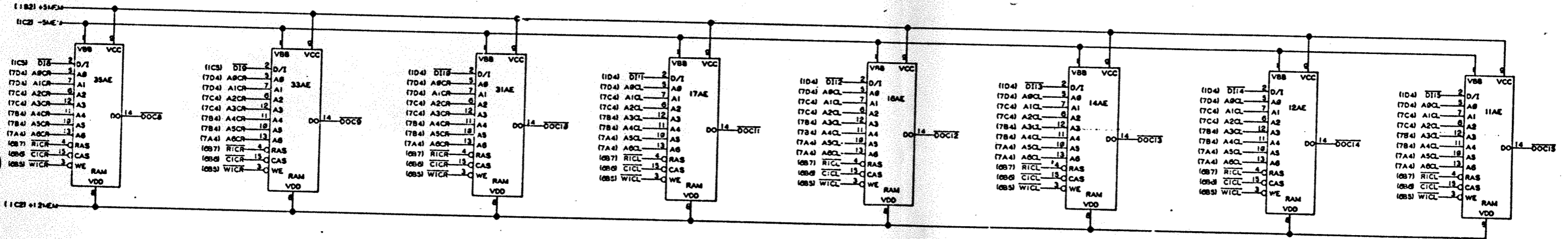
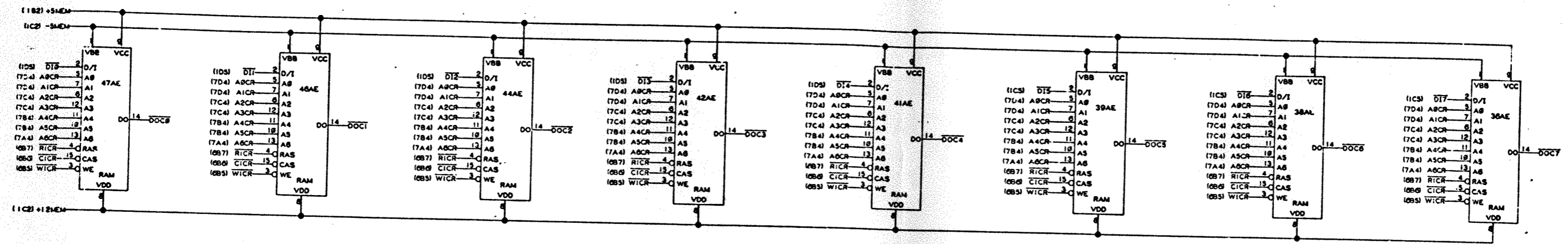
REVISIONS			
REV	DESCRIPTION	DRFTG	APP BY DATE



DRAWN		<b>DATA GENERAL CORPORATION</b> SOUTH BORD, MASSACHUSETTS 01772  <b>TITLE</b> DGC BBU MEMORY  SIZE CODE DRAWING NUMBER REV D 001001229 25
CHECKED		
ENGINEER		
APPROVED		
FIRST USED ON		

THIS DRAWING AND SPECIFICATIONS HEREIN ARE THE PROPERTY OF DATA GENERAL CORPORATION AND SHALL NOT BE REPRODUCED OR COPIED OR IN ANY MANNER OR IN PART AS THE BASIS FOR MANUFACTURE OR SALE OF ITEMS IN THIS OR ANY OTHER SERVICE.

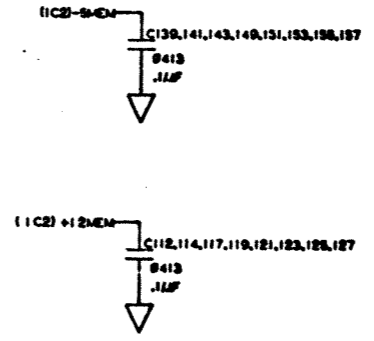
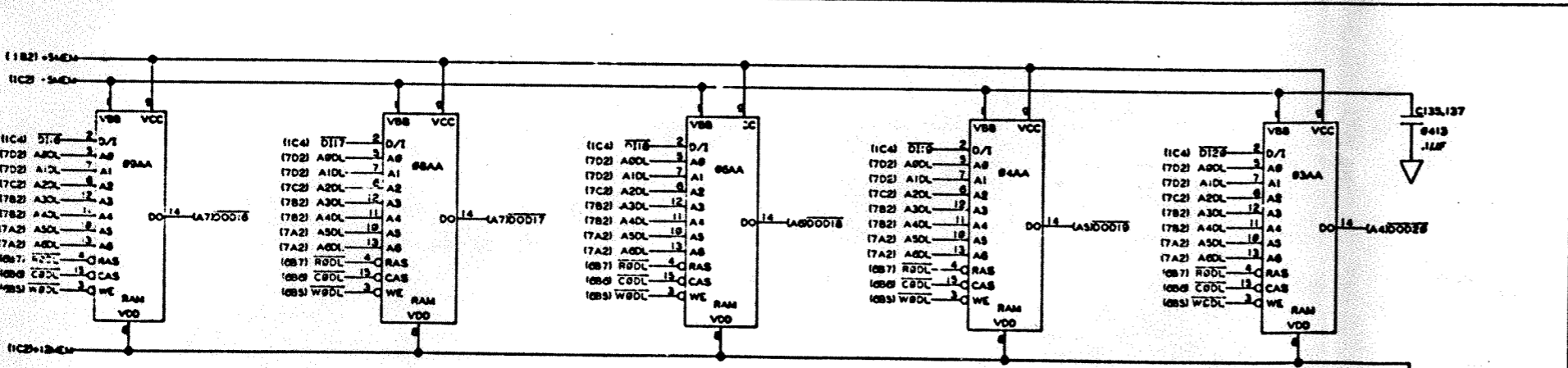
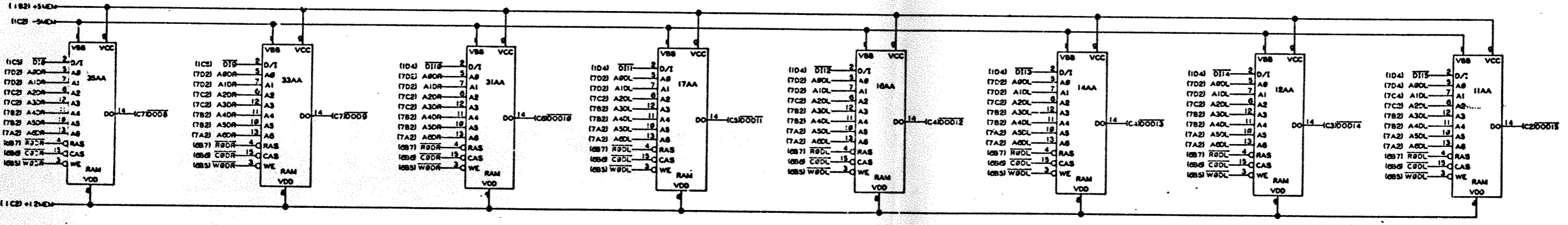
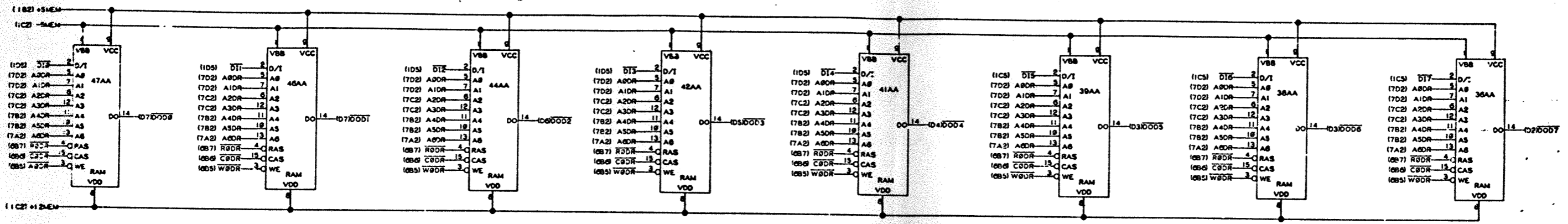
REVISIONS			
REV	DESCRIPTION	DRFTG	APP BY DATE



DRAWN		<b>DATA GENERAL CORPORATION</b> SOUTH BORO, MASSACHUSETTS 01772 TITLE <b>DGC BBU MEMORY</b>
CHECKED		
ENGINEER		
APPROVED		
FIRST USED ON		
SIZE	D	CODE 001001229 DRAWING NUMBER 15 REV

THIS DRAWING AND SPECIFICATIONS HEREBY ARE THE PROPERTY OF DATA GENERAL CORPORATION AND SHALL NOT BE REPRODUCED OR COPIED IN ANY MANNER OR IN PART OR THE BASIS FOR MANUFACTURE OR SALE OF ITEMS WITHOUT THE WRITTEN PERMISSION.

REVISIONS			
REV	DESCRIPTION	CRFTG	APP BY DATE

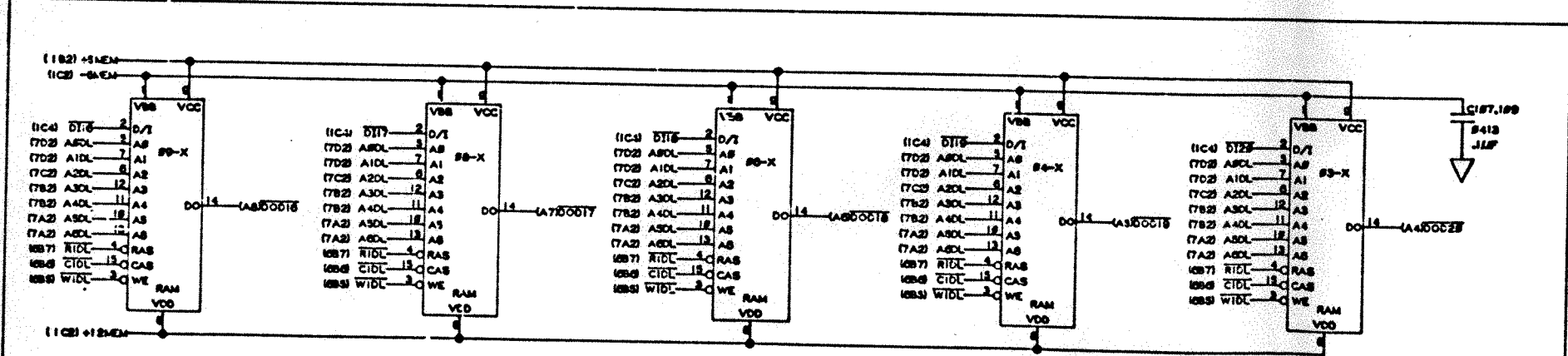
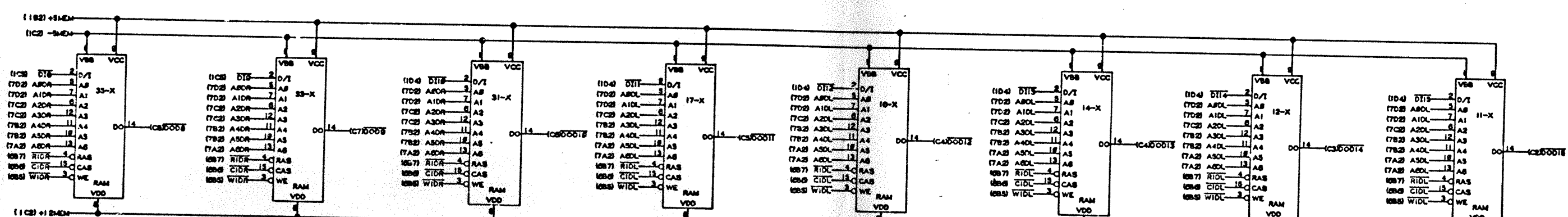
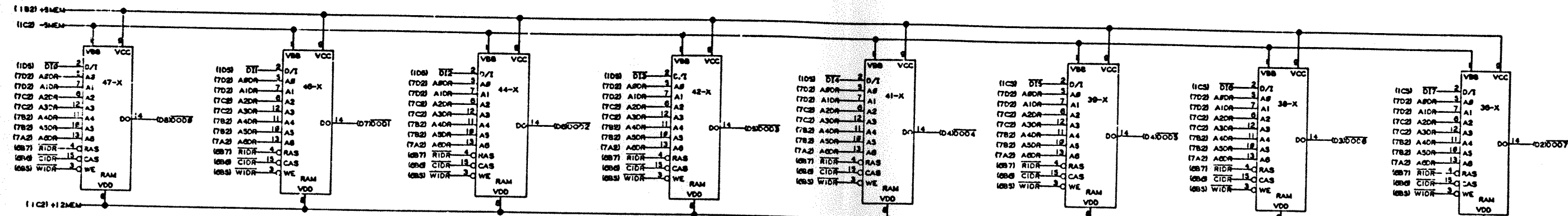


DRAWN		<b>DATA GENERAL CORPORATION</b> SOUTH BORO, MASSACHUSETTS 01772 TITLE <b>DGC BBU MEMORY</b>	
CHECKED			
ENGINEER			
APPROVED			
FIRST USED ON			
SIZE	CODE	DRAWING NUMBER	REV
D		001001229	05



THE PARTS AND SPECIFICATIONS HEREIN ARE THE PROPERTY OF DATA GENERAL CORPORATION AND SHALL NOT BE REPRODUCED OR COPIED IN ANY MANNER WITHOUT THE WRITTEN PERMISSION OF DATA GENERAL CORPORATION.

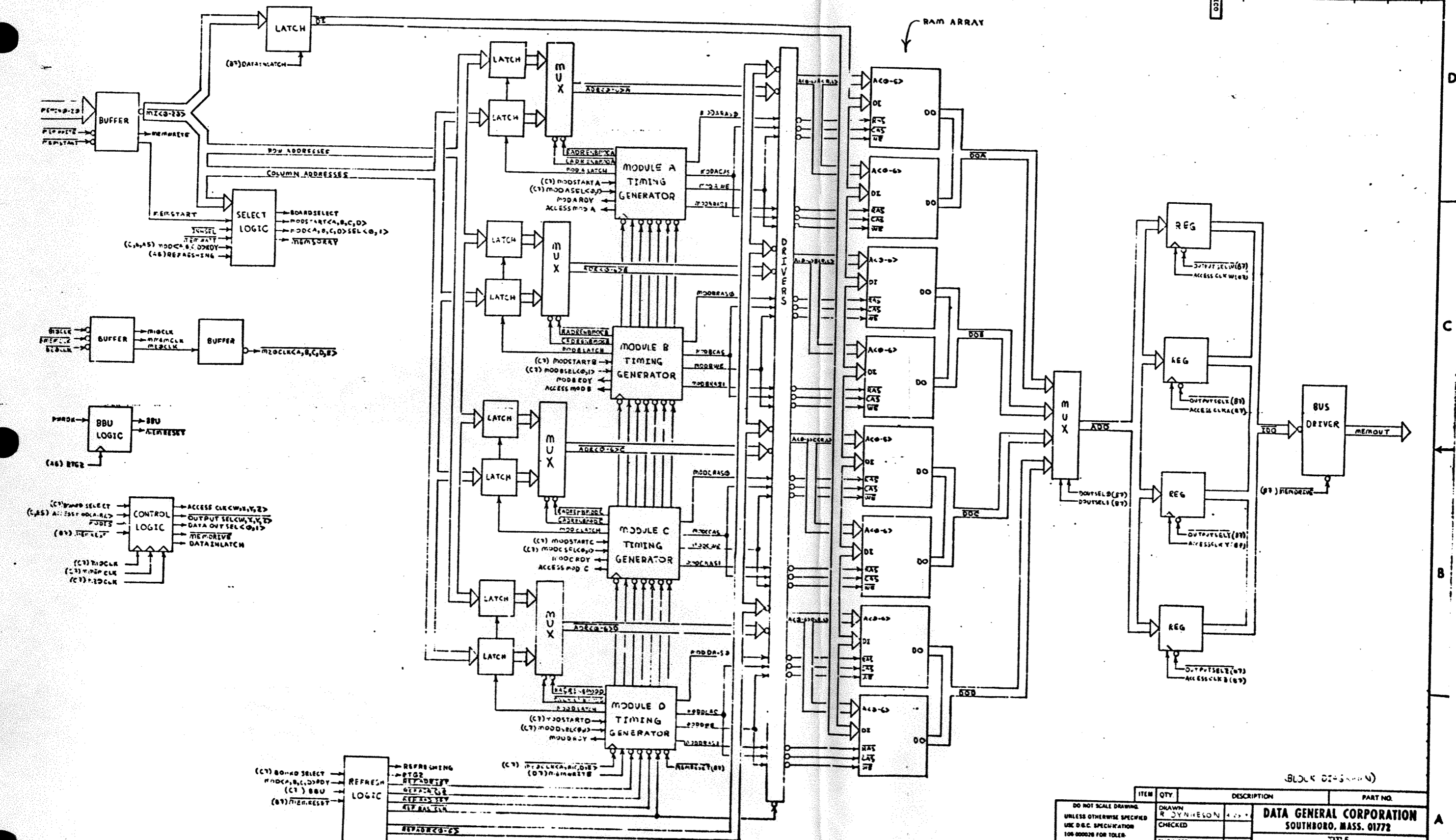
REVISIONS			
REV	DESCRIPTION	DATE	APP BY



DRAWN		<b>DATA GENERAL CORPORATION</b> SOUTH BORO MASSACHUSETTS 01777 TITLE <b>DGC BBU MEMORY</b>
CHECKED		
ENGINEER		
APPROVED		
FIRST USED ON		
SIZE	D	CODE 001001229 DRAWING NUMBER 15 REV 15

THIS DRAWING AND SPECIFICATION HEREIN ARE THE PROPERTY OF DATA GENERAL CORPORATION AND SHALL NOT BE REPRODUCED OR COPIED OR USED IN WHOLE OR IN PART AS THE BASIS FOR MANUFACTURE OR SALE OF ITEMS WITHOUT WRITTEN PERMISSION.

REVISIONS				
REV	DESCRIPTION	DRFTG	APP BY	DATE
001				



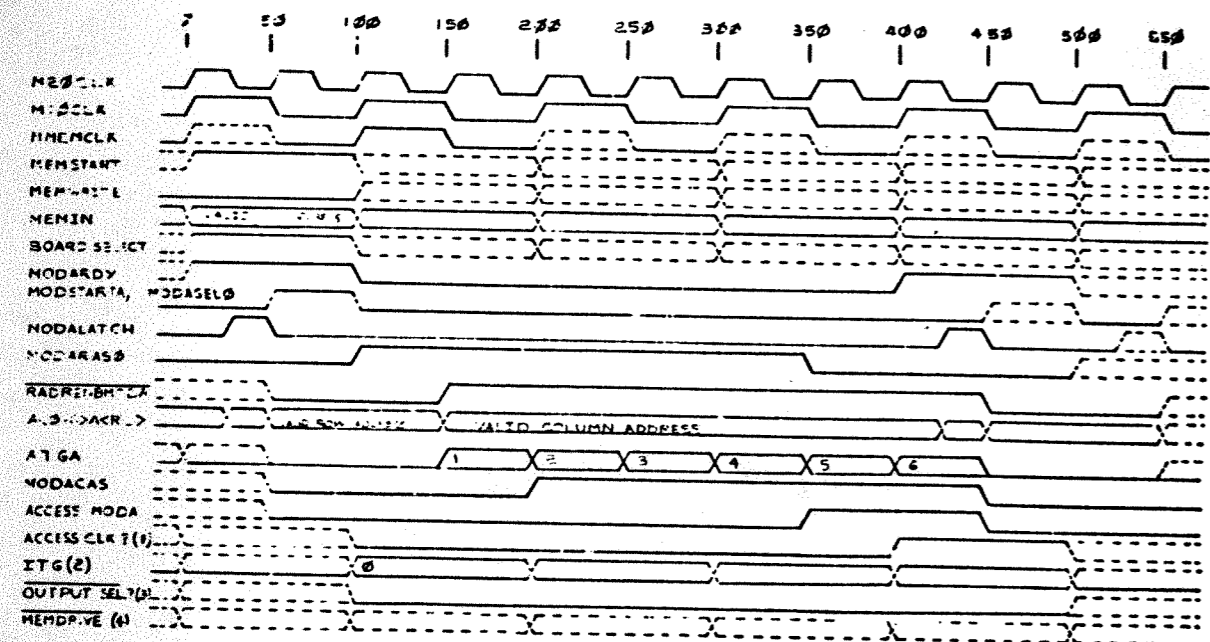
BLOCK 00-3-0000

ITEM	QTY	DESCRIPTION	PART NO.
DO NOT SCALE DRAWING UNLESS OTHERWISE SPECIFIED USE D.G.C. SPECIFICATION FOR DIMENSIONS FOR TOLERANCES AND WORKMANSHIP REQUIREMENTS			
DRAWN BY DYNHESON		DATA GENERAL CORPORATION SOUTHBORO, MASS. 01772	
CHECKED		TITLE	
ENGINEER		DGC BBU MEMORY	
APPROVED		FIRST USED ON	
MATERIAL		SCALE	
FINISH		CODE IDENT	
		SIZE	
		CODE	
		DRAWING NUMBER	
		REV	
		34984 D 001001229 05	

THIS DRAWING AND SPECIFICATION ARE THE PROPERTY OF DATA GENERAL CORPORATION AND SHALL NOT BE REPRODUCED OR COPIED IN WHOLE OR IN PART AT THE BEHEM OF MANUFACTURE OR SALE OF ITEMS WITHOUT WRITTEN PERMISSION.

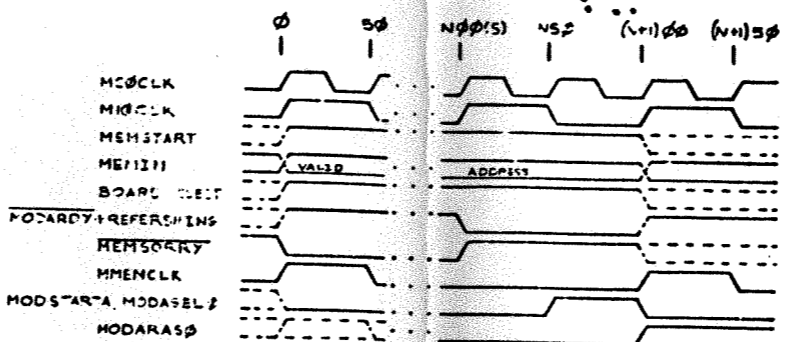
REVISIONS				
REV	DESCRIPTION	DRFTG	APP BY	DATE

### READ FROM MODULE A



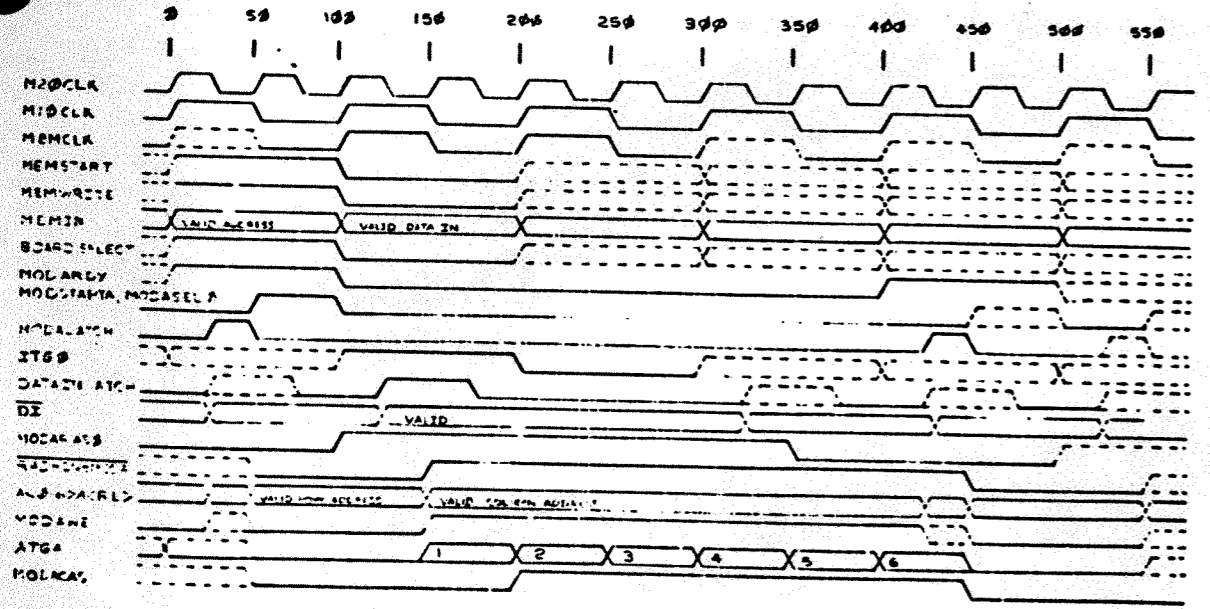
NOTES:  
 (1) M2 MAY BE M, X, Y, OR Z.  
 (2) THE ITG REGISTER IS CLOCKED BY MEMCLK.  
 (3) P IS THE SAME (W, X, Y OR Z) AS IN (1). OUTPUT SEL 1 OCCURS DURING ITG3.  
 (4) THE MEMDRIVE OF INTEREST OCCURS DURING ITG3 WHEN MODIS IS NOT ASSERTED.

### READ FROM OR WRITE TO MODULE A DEFERRED

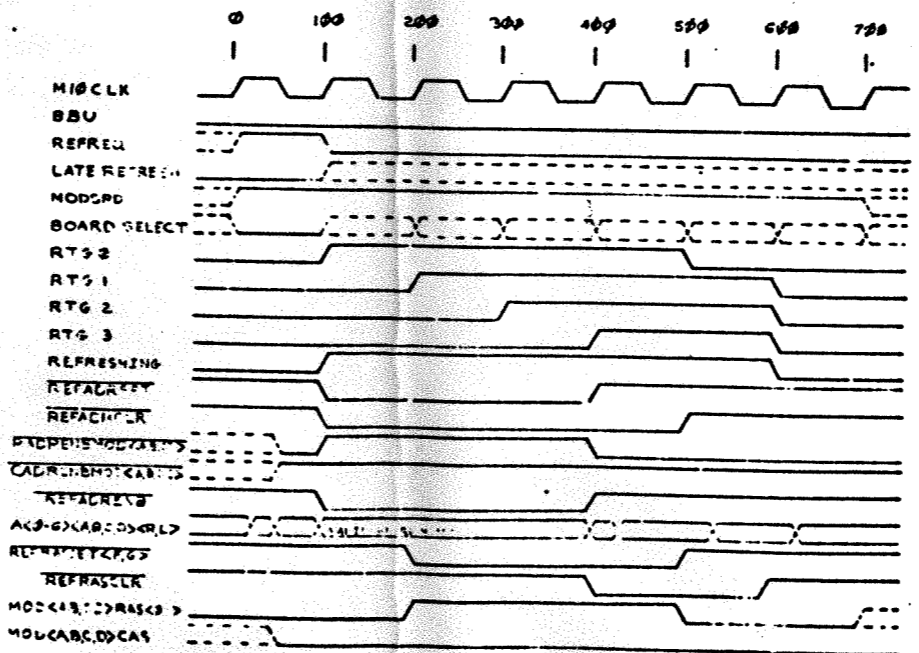


NOTE:  
 (5) N IS THE NO. OF 127 NS CYCLES THAT START IS DEFERRED.

### WRITE TO MODULE A



### NORMAL REFRESH



(TIMING)

ITEM	QTY	DESCRIPTION	PART NO.

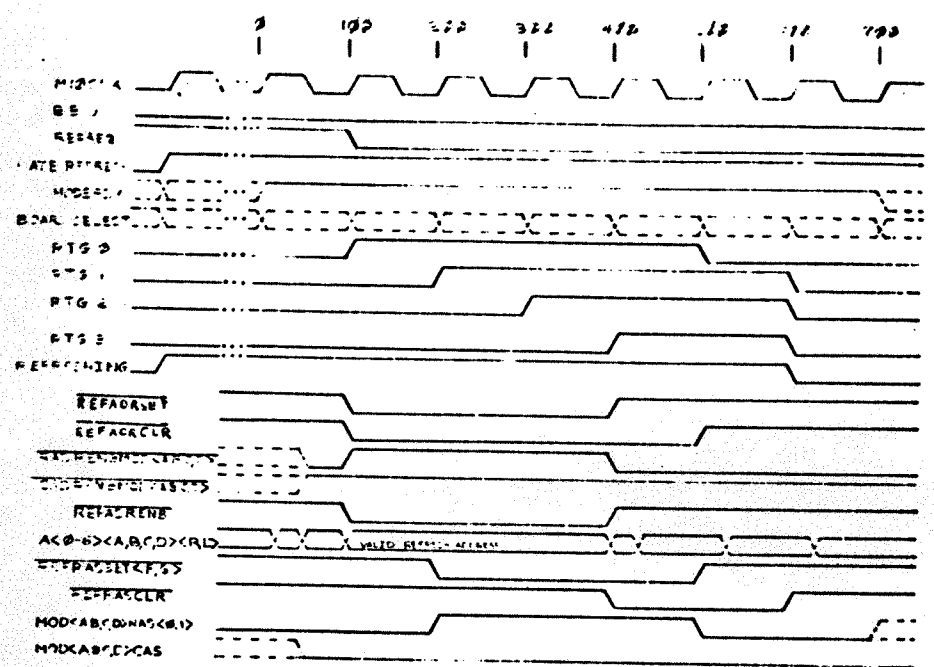
  

DO NOT SCALE DRAWING UNLESS OTHERWISE SPECIFIED USE D.G.C. SPECIFICATION 100 00020 FOR TOLERANCES AND WORKMANSHIP REQUIREMENTS	DRAWN CHECKED ENGINEER APPROVED FIRST USED ON	DATA GENERAL CORPORATION SOUTHBORO, MASS. 01772  TITLE DGC SBU MEMORY
MATERIAL	SCALE	CODE IDENT
FINISH	SIZE	CODE
	34984	D 101
		DRAWING NUMBER
		7/1229
		REV
		05

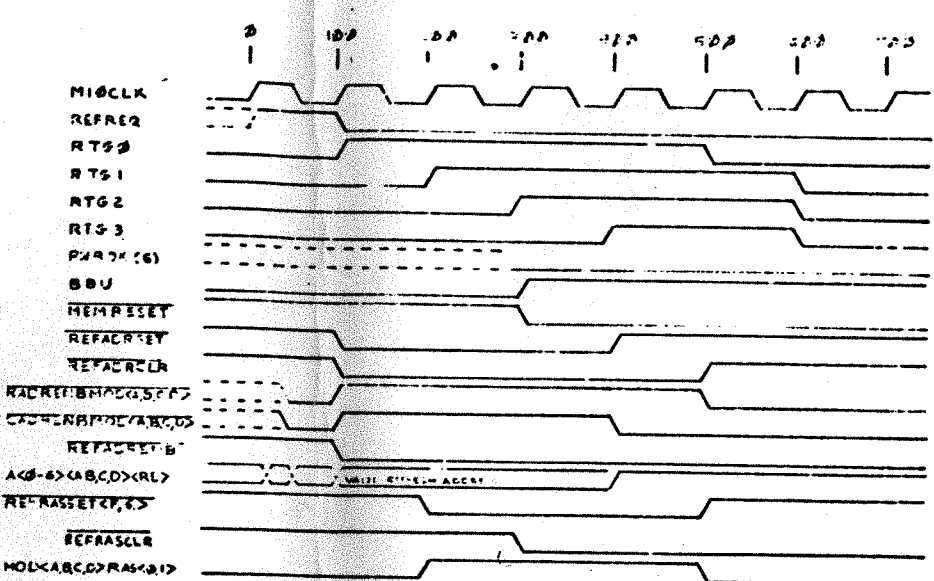
THIS DRAWING AND SPECIFICATIONS HEREIN ARE THE PROPERTY OF DATA GENERAL CORPORATION AND SHALL NOT BE REPRODUCED OR COPIED OR USED IN WHOLE OR IN PART AS THE BASIS FOR MANUFACTURE OR SALE OF ITEMS WITHOUT WRITTEN PERMISSION.

REVISIONS				
REV	DESCRIPTION	DRFTG	APP BY	DATE
ECO				

LATE REFRESH

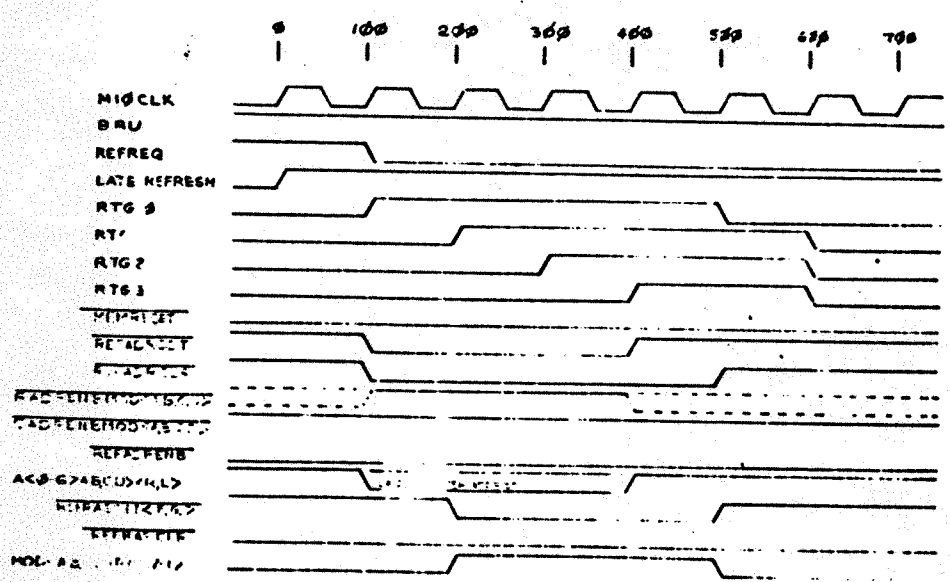


SWITCHING INTO BBU

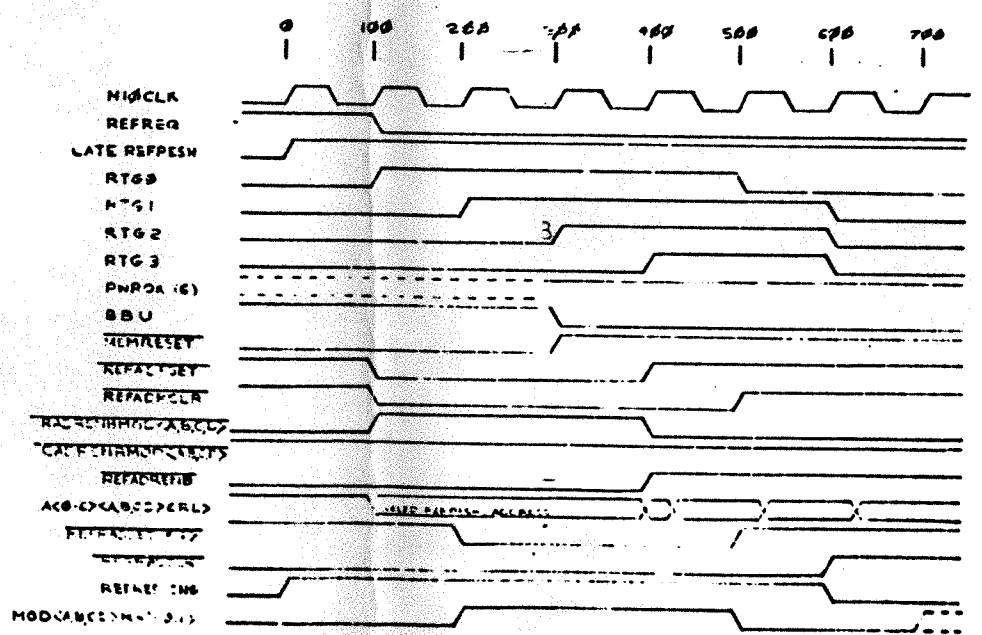


NOTE: (6) PWR0K IS AN ASYNCHRONOUS SIGNAL

REFRESH DURING BBU



SWITCHING OUT OF BBU



(TIMING)

ITEM	QTY	DESCRIPTION	PART NO.
DO NOT SCALE DRAWING			
UNLESS OTHERWISE SPECIFIED			
USE D.G.C. SPECIFICATION			
100-000078 FOR TOLERANCES AND WORKMANSHIP REQUIREMENTS			
DRAWN		CHECKED	
ENGINEER		APPROVED	
MATERIAL		FIRST USED ON	
FINISH		SCALE	
CODE IDENT		SIZE	CODE
34984		D	001
DRAWING NUMBER		REV	
001229		05	

DATA GENERAL CORPORATION  
SOUTHBORO, MASS. 01772  
TITLE  
DGC BBU  
MEMORY