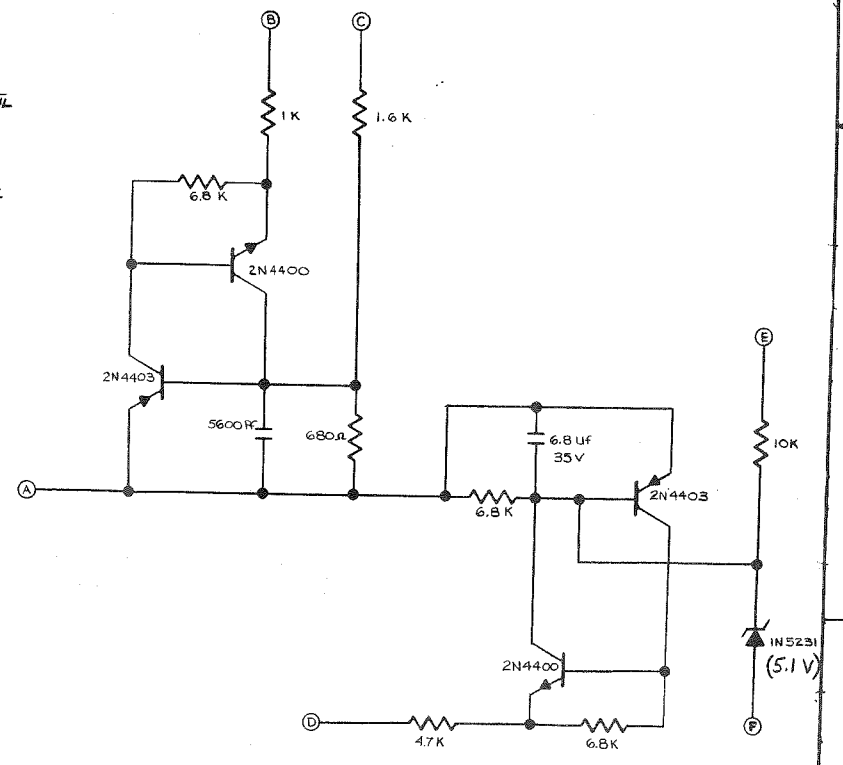
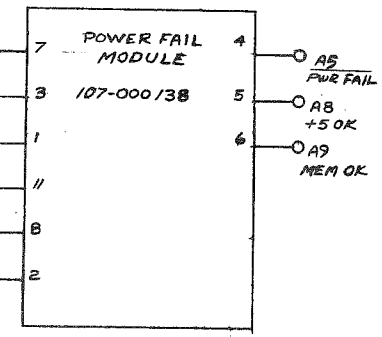
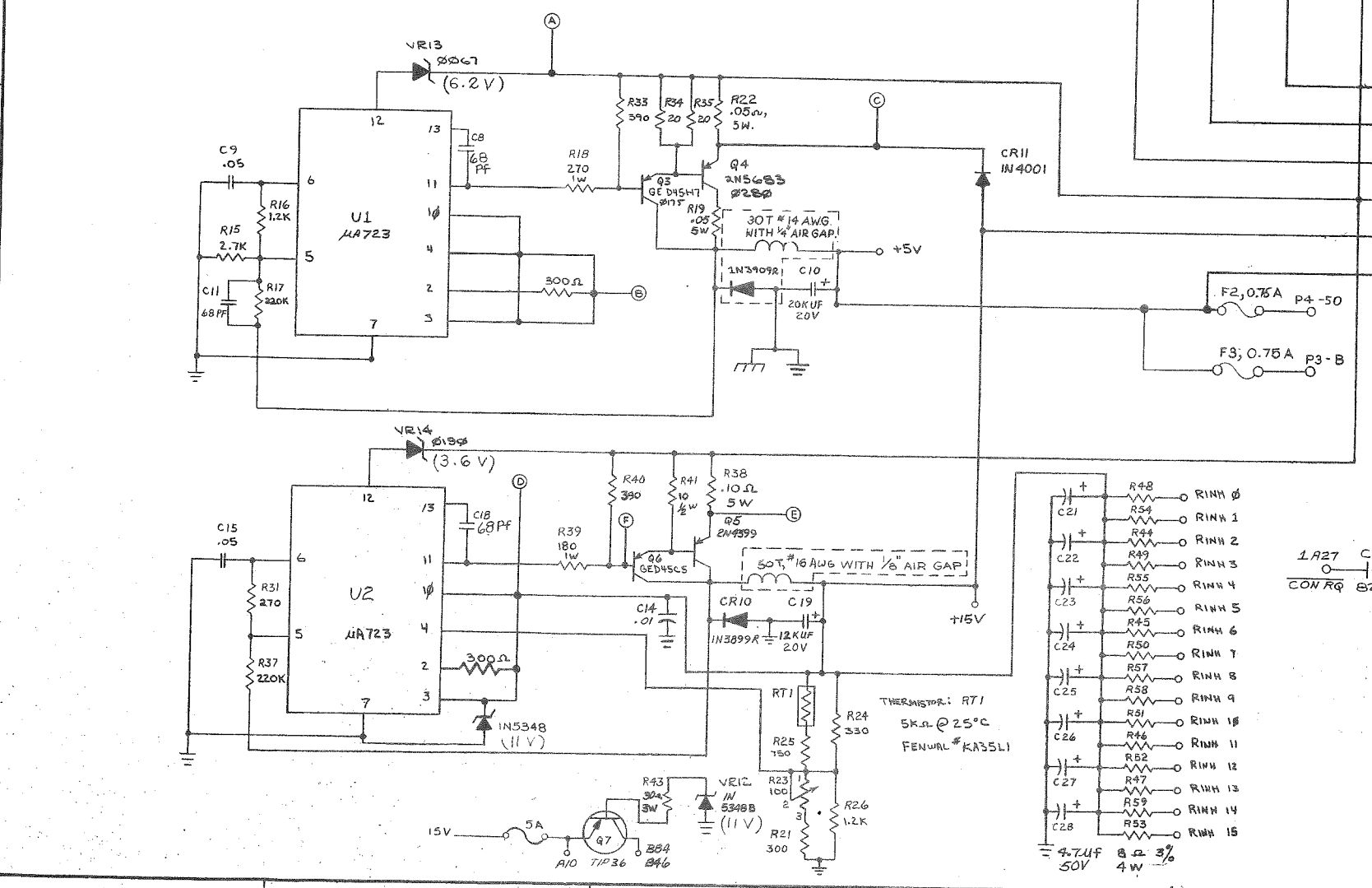
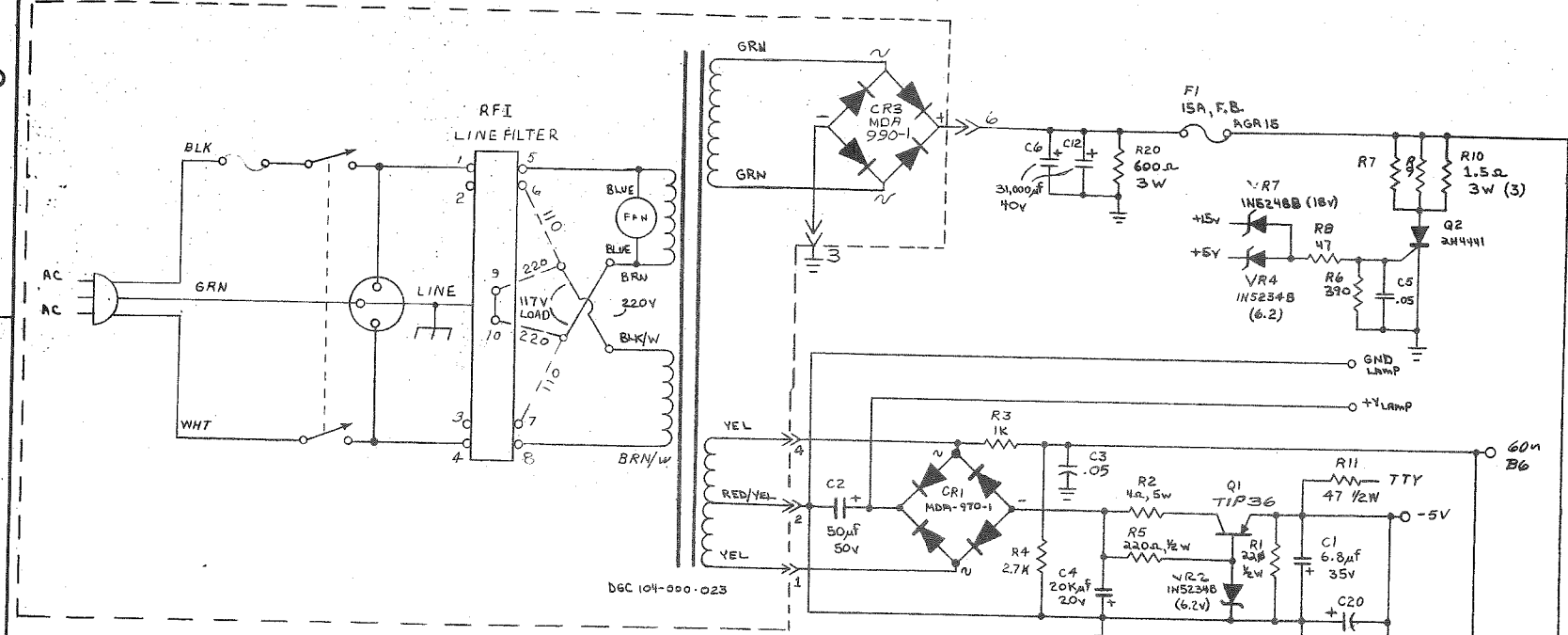


THIS DRAWING AND SPECIFICATIONS, HEREIN, ARE THE PROPERTY OF DATA GENERAL CORPORATION AND SHALL NOT BE REPRODUCED OR COPIED OR USED IN WHOLE OR IN PART AS THE BASIS FOR MANUFACTURE OR SALE OF ITEMS WITHOUT WRITTEN PERMISSION.

REVISIONS				
REV	DESCRIPTION	DRFTG	APP. BY	DATE
01	REV PER MKD PRINT	EMS		1/17/77
02	ECO # 829 848	RNK		2/11/77
03	ECO # 975	RNF		4/15/77
04	ECO # 1025	M.J.P.		6-77
05	ECO # 1038	M.J.P.		6-77
06	ECO # 1046	M.J.P.		6-77
07	ECO # 1179	R.W.C.		10/9/77
08	ECO # 1184	M.J.P.		11/27/77
09	ECO # 1197	M.J.P.		11/27/77
10	ECO # 1261	M.J.P.		11/27/77
11	ECO # 1754	R.W.C.		7-20-77
12	ECO # 2255	R.W.C.		3-1-78
13	ECO # 2521	G.W.M.		7-5-78
14	ECO # 2662	G.W.M.		7-20-78
15	ECO # 2808	RAS		8-10-78
16	ECO # 3851	DAS		12-18-78
17	ECO # 3177	TJK		2-20-78



- C21 R48 R1NH 0
- C22 R54 R1NH 1
- C23 R49 R1NH 2
- C24 R56 R1NH 3
- C25 R57 R1NH 4
- C26 R58 R1NH 5
- C27 R59 R1NH 6
- C28 R53 R1NH 7
- C29 R55 R1NH 8
- C30 R52 R1NH 9
- C31 R51 R1NH 10
- C32 R50 R1NH 11
- C33 R47 R1NH 12
- C34 R46 R1NH 13
- C35 R45 R1NH 14
- C36 R44 R1NH 15

DRAWN		DESCRIPTION		PART NO.	
CHECKED <i>R. Smith</i> <i>1/18/77</i>		DATA GENERAL CORPORATION		SOUTHBORO, MASSACHUSETTS 01772	
ENGINEER <i>R. Smith</i> <i>11/20/77</i>		TITLE		BACK PANEL POWER SUPPLY	
APPROVED		FIRST USED ON		107-000128	
MATERIAL		DRAWING NUMBER		000173	
FINISH		SCALE		REV 17	