

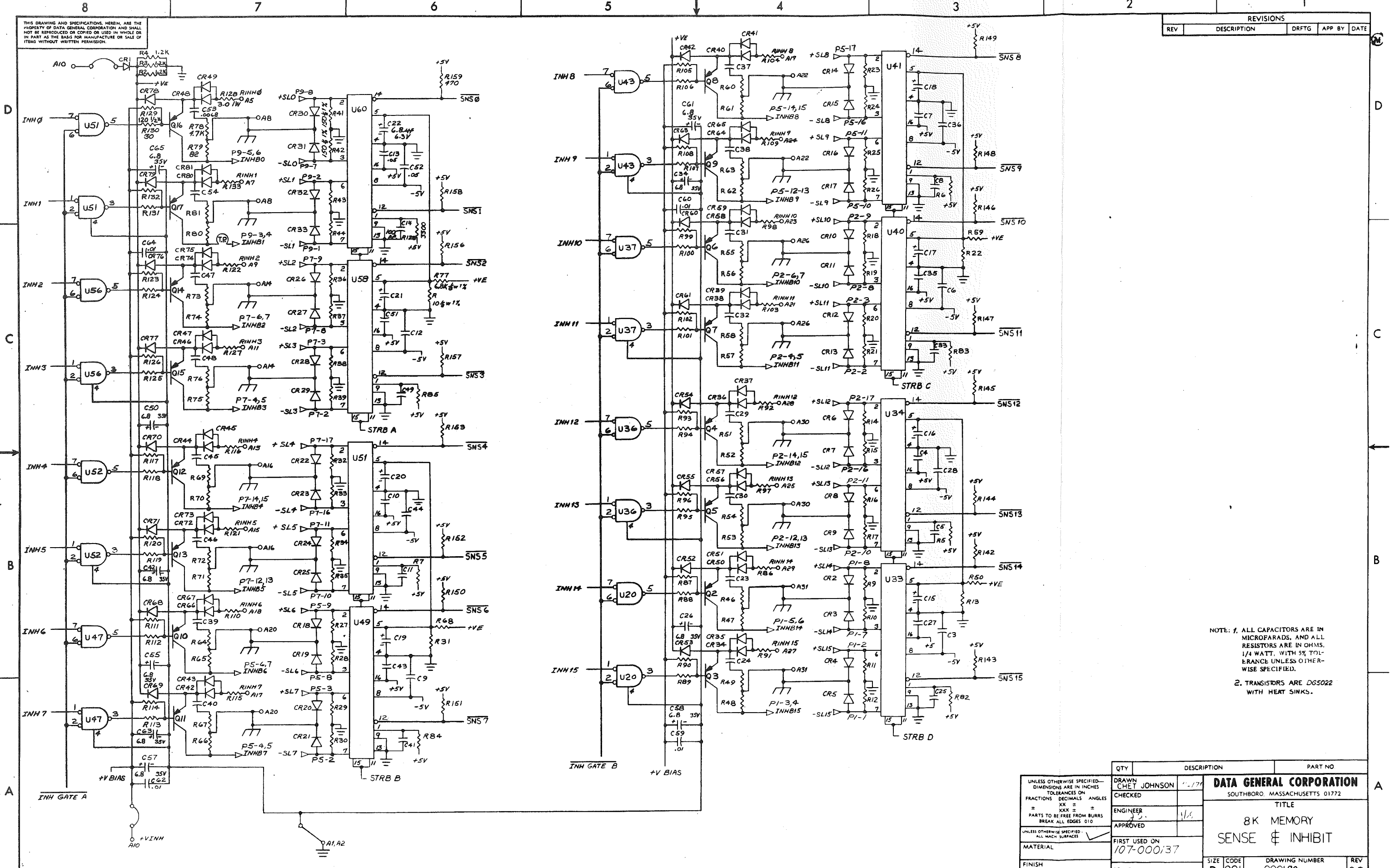
REVISIONS				
REV.	DESCRIPTION	DRFTG.	APP. BY	DATE
01	ECO # 1002	MB	MB	4/72
02	ECO # 1117	R.W.C.		10/72
03	ECO # 1259	R.W.C.		12/72
04	ECO # 1291	R.W.C.		12/72
05	ECO # 1402	R.W.C.		4/73
06	ECO # 1526	R.W.C.		5/73
07	ECO # 1514	R.W.C.		5/73
08	ECO # 2138	R.W.C.		12/73

NOTE: ALL CAPACITORS ARE IN MICROFARADS, AND ALL RESISTORS ARE IN OHMS, 1/4 WATT, WITH 5% TOLERANCE UNLESS OTHERWISE SPECIFIED.

QTY	DESCRIPTION	PART NO.
	DRAWN	CHELT JOHNSON 9/6/71
	CHECKED	
	ENGINEER	1/1/75
	APPROVED	
	FIRST USED ON	B215
	MATERIAL	107-000137
	FINISH	
	SCALE	
DATA GENERAL CORPORATION SOUTHBORO, MASSACHUSETTS 01772		
TITLE 8K MEMORY MA & MB REGISTER & CONTROL		
SIZE	CODE	D 001
DRAWING NUMBER	REV	000189 08

THIS DRAWING AND SPECIFICATIONS HEREIN ARE THE PROPERTY OF DATA GENERAL CORPORATION AND SHALL NOT BE REPRODUCED OR COPIED OR USED IN WHOLE OR IN PART AS THE BASIS FOR MANUFACTURE OR SALE OF ITEMS WITHOUT WRITTEN PERMISSION.

REVISIONS			
REV	DESCRIPTION	DRFTG	APP BY DATE



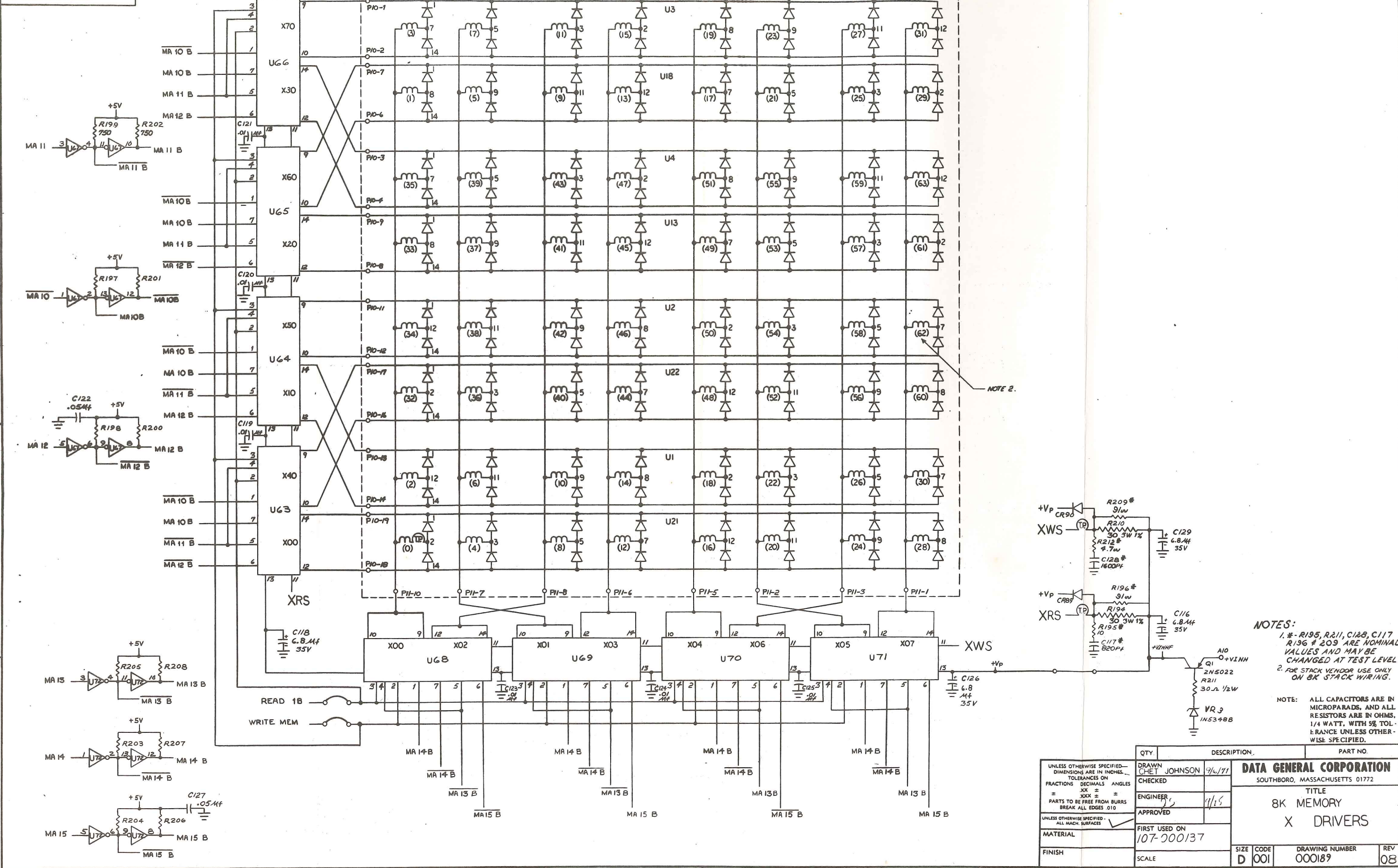
NOTE: 1. ALL CAPACITORS ARE IN MICROFARADS, AND ALL RESISTORS ARE IN OHMS, 1/4 WATT, WITH 5% TOLERANCE UNLESS OTHERWISE SPECIFIED.
 2. TRANSISTORS ARE DG5022 WITH HEAT SINKS.

QTY	DESCRIPTION	PART NO

UNLESS OTHERWISE SPECIFIED— DIMENSIONS ARE IN INCHES FRACTIONS DECIMALS ANGLES XX = ± XXX = ± PARTS TO BE FREE FROM BURRS BREAK ALL EDGES 010	DRAWN CHET JOHNSON CHECKED 	DATE 11-17-71	DATA GENERAL CORPORATION SOUTHBORO, MASSACHUSETTS 01772 TITLE 8K MEMORY SENSE & INHIBIT
UNLESS OTHERWISE SPECIFIED— ALL MACH SURFACES	ENGINEER 	APPROVED 	
MATERIAL	FIRST USED ON 107-000137		SIZE CODE D 001
FINISH	SCALE	DRAWING NUMBER 000189	REV 08

THIS DRAWING AND SPECIFICATIONS HEREIN ARE THE PROPERTY OF DATA GENERAL CORPORATION AND SHALL NOT BE REPRODUCED OR COPIED OR USED IN WHOLE OR IN PART AS THE BASIS FOR MANUFACTURE OR SALE OF ITEMS WITHOUT WRITTEN PERMISSION.

REVISIONS				
REV	DESCRIPTION	DRFTG	APP BY	DATE



NOTE 2.

NOTES:
 1. * - R195, R211, C128, C117, R196 # 209 ARE NOMINAL VALUES AND MAY BE CHANGED AT TEST LEVEL.
 2. FOR STACK VENDOR USE ONLY ON 8K STACK WIRING.

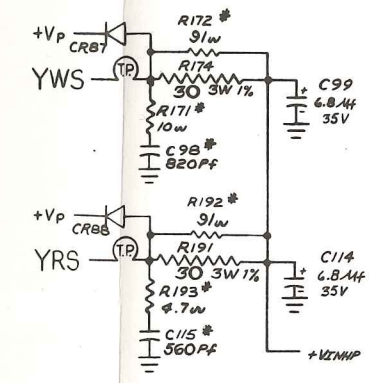
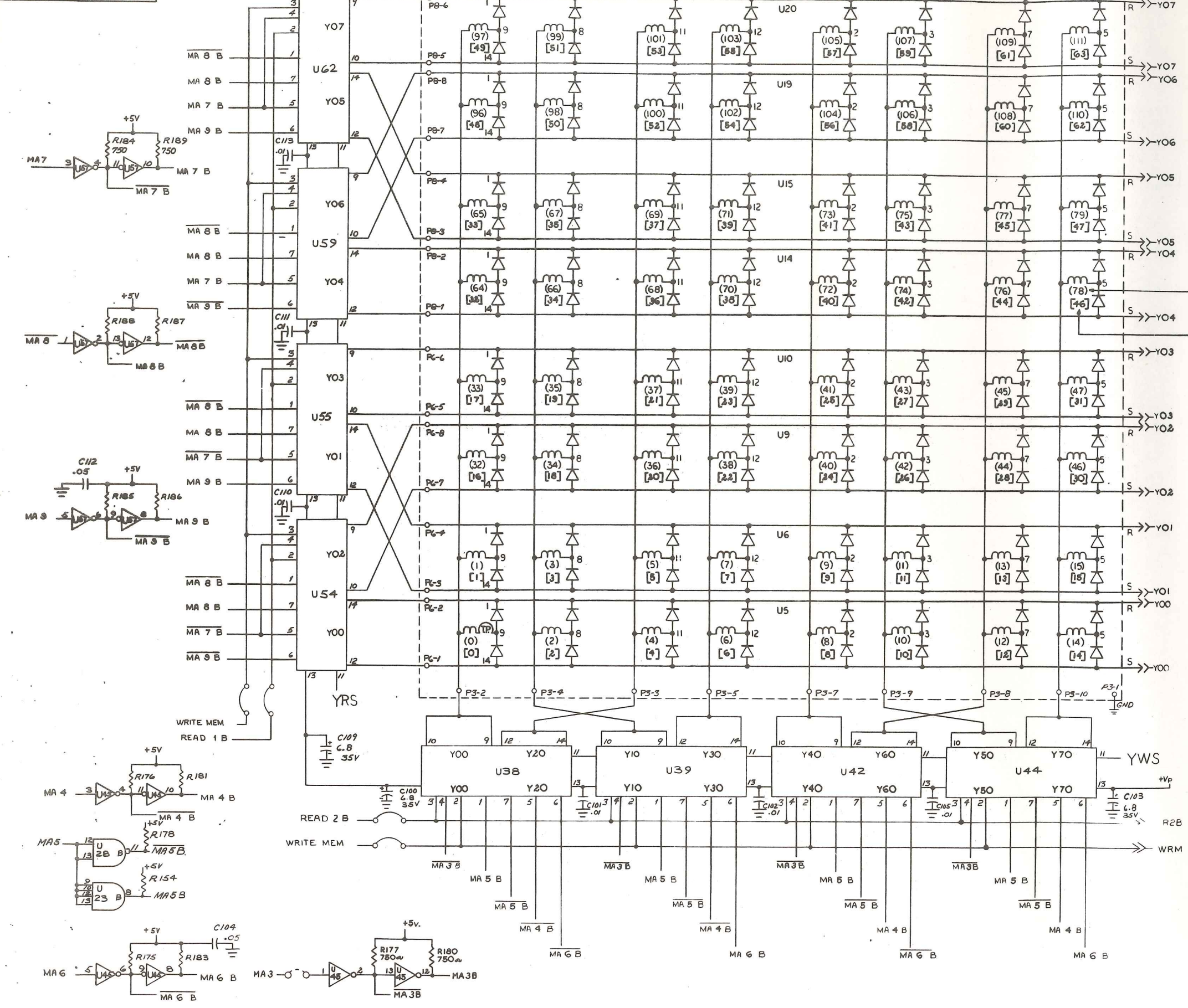
NOTE: ALL CAPACITORS ARE IN MICROFARADS, AND ALL RESISTORS ARE IN OHMS, 1/4 WATT, WITH 5% TOLERANCE UNLESS OTHERWISE SPECIFIED.

QTY	DESCRIPTION	PART NO.

UNLESS OTHERWISE SPECIFIED— DIMENSIONS ARE IN INCHES— TOLERANCES ON FRACTIONS DECIMALS ANGLES = .XX = .X = .X PARTS TO BE FREE FROM BURRS BREAK ALL EDGES 010	DRAWN CHET JOHNSON 9/1/71	DATA GENERAL CORPORATION SOUTHBORO, MASSACHUSETTS 01772 TITLE 8K MEMORY X DRIVERS
UNLESS OTHERWISE SPECIFIED— ALL MACH. SURFACES	ENGINEER 	
MATERIAL	APPROVED 	
FINISH	FIRST USED ON 107-200137	
	SCALE	
	SIZE CODE D 001	DRAWING NUMBER 000189
		REV 08

THIS DRAWING AND SPECIFICATIONS HEREIN, ARE THE PROPERTY OF DATA GENERAL CORPORATION AND SHALL NOT BE REPRODUCED OR COPIED OR USED IN WHOLE OR IN PART AS THE BASIS FOR MANUFACTURE OR SALE OF ITEMS WITHOUT WRITTEN PERMISSION.

REVISIONS				
REV	DESCRIPTION	DRFTG	APP BY	DATE



NOTES:
 1. R171, R193, C98, C115, R172 & 192 ARE NOMINAL VALUES AND MAY BE CHANGED AT TEST LEVEL.
 2. (N) FOR STACK VENDOR USE ONLY, ON BK STACK WIRING.
 3. (N) FOR STACK VENDOR USE ONLY, ON 4K STACK WIRING.
 S = SOURCE
 R = RETURN

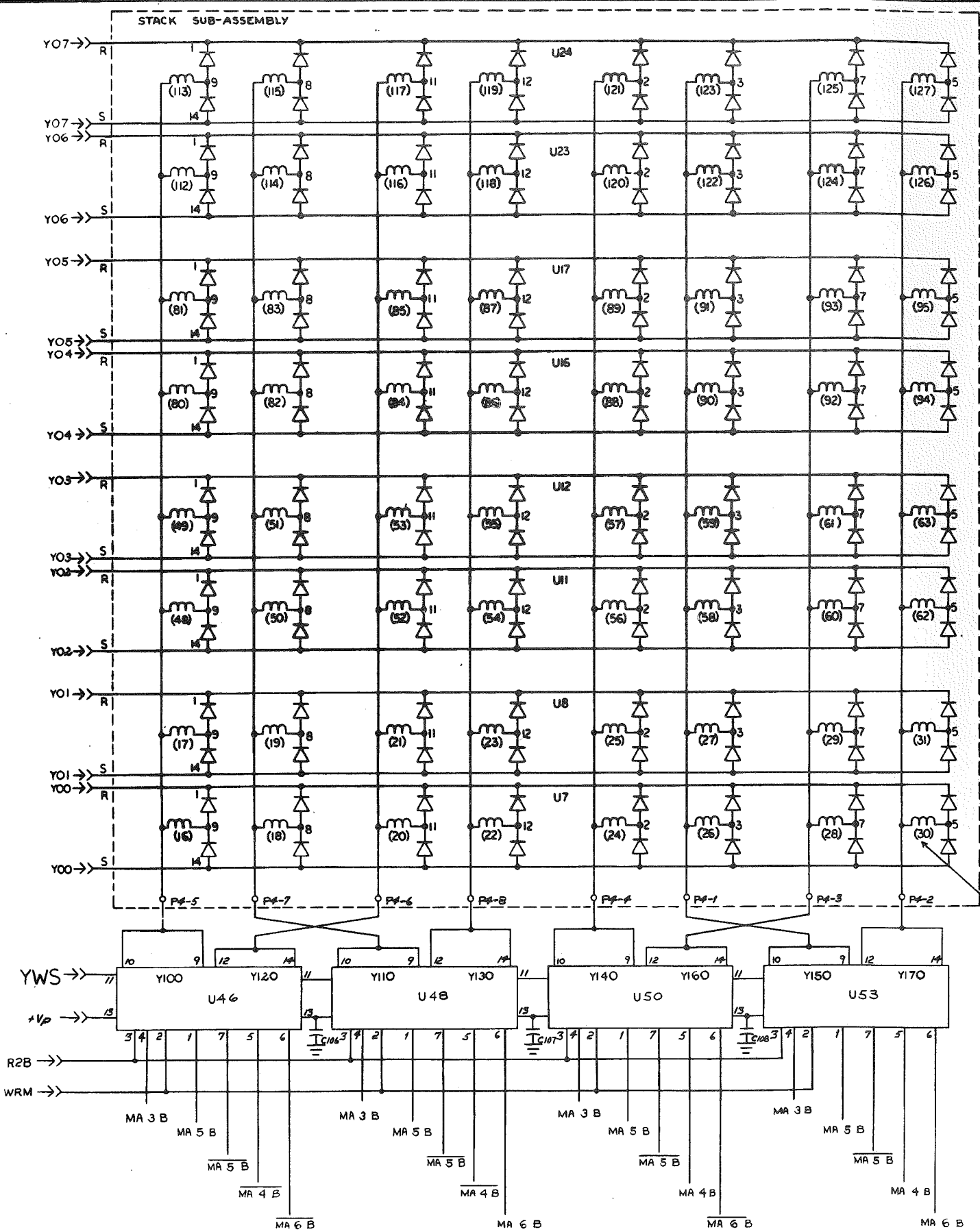
NOTE: ALL CAPACITORS ARE IN MICROFARADS, AND ALL RESISTORS ARE IN OHMS, 1/4 WATT, WITH 5% TOLERANCE UNLESS OTHERWISE SPECIFIED.

QTY.	DESCRIPTION	PART NO

UNLESS OTHERWISE SPECIFIED—DIMENSIONS ARE IN INCHES FRACTIONS ON ANGLES DECIMALS ON TOLERANCES XXX = ± XX = ± XX = ± PARTS TO BE FREE FROM BURRS BREAK ALL EDGES 0.10		DRAWN CHET JOHNSON CHECKED ENGINEER APPROVED FIRST USED ON MATERIAL FINISH	DATA GENERAL CORPORATION SOUTHBORO, MASSACHUSETTS 01772 TITLE 8K MEMORY Y DRIVERS DRAWING NUMBER 000189 REV 08

THIS DRAWING AND SPECIFICATIONS HEREIN ARE THE PROPERTY OF DATA GENERAL CORPORATION AND SHALL NOT BE REPRODUCED OR COPIED OR USED IN WHOLE OR IN PART AS THE BASIS FOR MANUFACTURE OR SALE OF ITEMS WITHOUT WRITTEN PERMISSION.

REVISIONS				
REV	DESCRIPTION	DRAFTG	APP BY	DATE



NOTE 1

NOTE:-
1. FOR STACK VENDOR USE ONLY, ON BK STACK WIRING.

NOTE: ALL CAPACITORS ARE IN MICROPARADS, AND ALL RESISTORS ARE IN OHMS, 1/4 WATT, WITH 5% TOLERANCE UNLESS OTHERWISE SPECIFIED.

QTY.	DESCRIPTION	PART NO.

UNLESS OTHERWISE SPECIFIED— DIMENSIONS ARE IN INCHES TOLERANCES ON FRACTIONS DECIMALS ANGLES = .005 ± = .010 ± = .015 ± PARTS TO BE FREE FROM BURRS BREAK ALL EDGES .010	DRAWN CHET JOHNSON 9/6/77	DATA GENERAL CORPORATION SOUTHBORO, MASSACHUSETTS 01772
UNLESS OTHERWISE SPECIFIED— ALL MACH. SURFACES	ENGINEER APPROVED	TITLE 8K MEMORY Y DRIVERS
MATERIAL	FIRST USED ON 107-000/37	SIZE CODE D 001
FINISH	SCALE	DRAWING NUMBER 000189
		REV 03