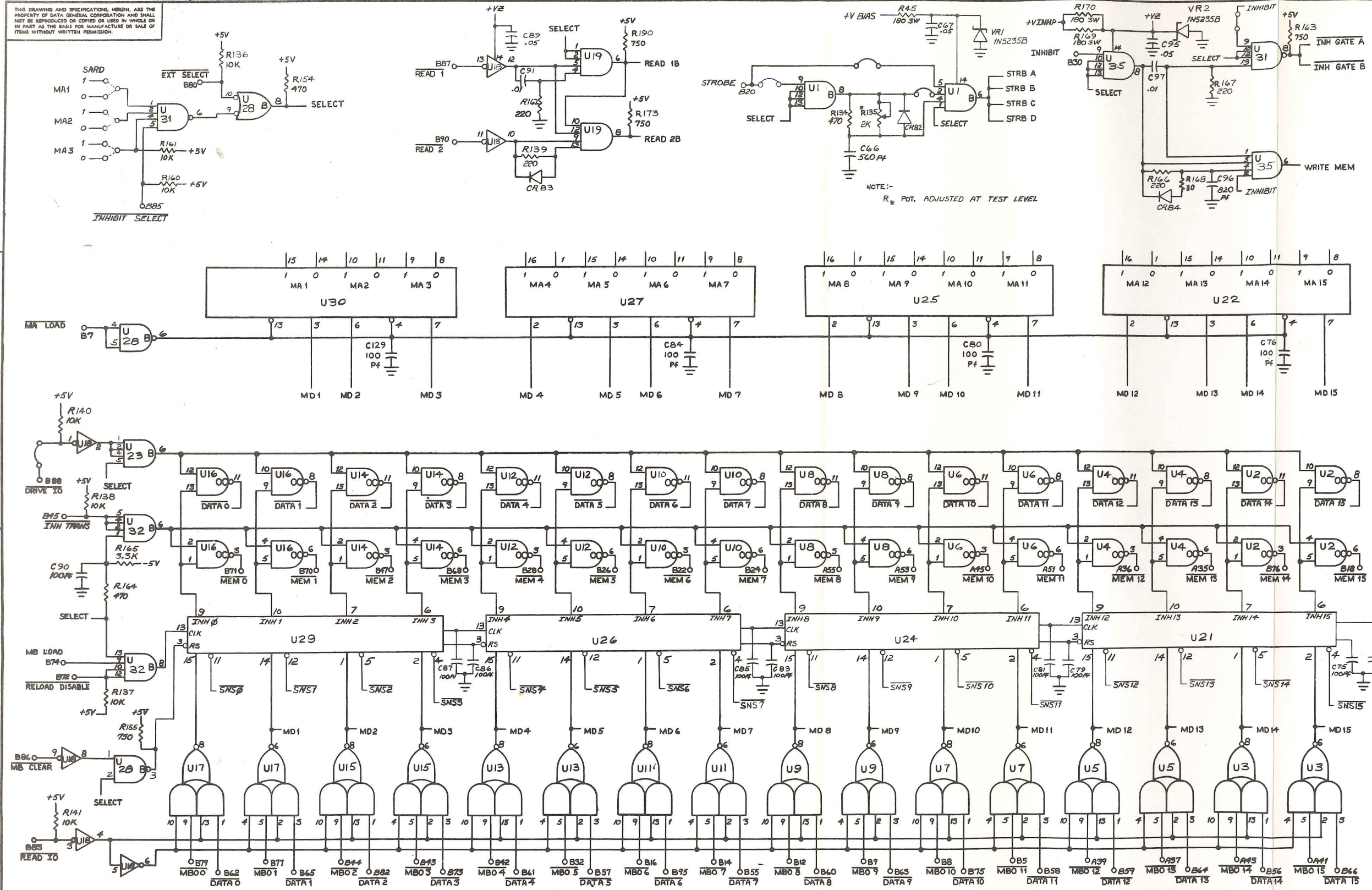


THIS DRAWING AND SPECIFICATIONS HEREIN ARE THE PROPERTY OF DATA GENERAL CORPORATION AND SHALL NOT BE REPRODUCED OR COPIED OR USED IN WHOLE OR IN PART AS THE BASIS FOR MANUFACTURE OR SALE OF ITEMS WITHOUT WRITTEN PERMISSION.

REVISIONS				
REV.	DESCRIPTION	DRFTG.	APP. BY	DATE
01	ECO # 1002	RWC	ML	2/72
02	ECO # 1117	R.W.C.		10-3-72
03	ECO # 1259	R.W.C.		12-4-72
04	ECO # 1402	R.W.C.		1-2-73
05	ECO # 1526	R.W.C.		5-3-73
06	ECO # 1514	R.W.C.		5-21-73
07	ECO # 2138	R.W.C.		12-5-73

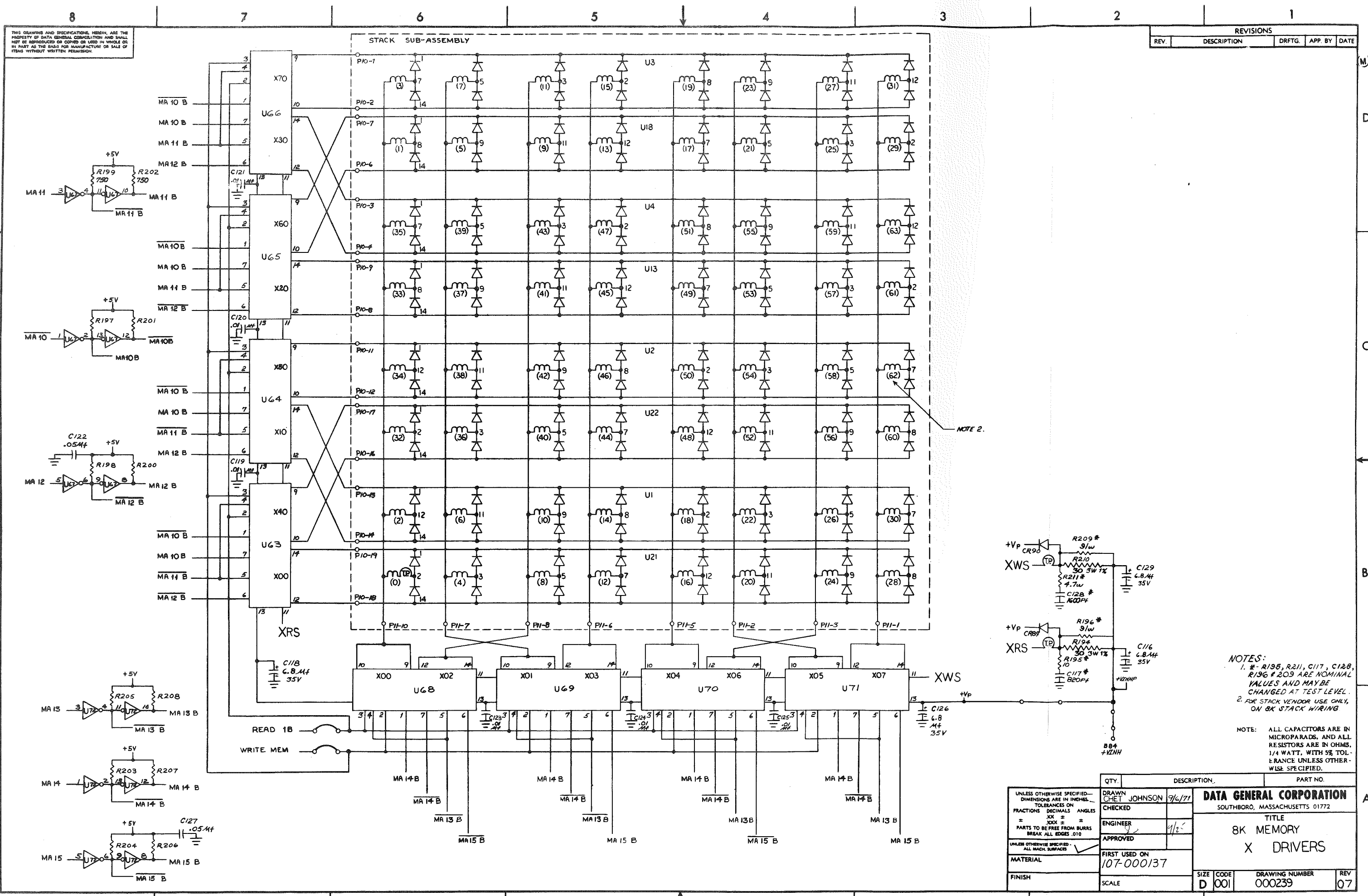


840

NOTE: ALL CAPACITORS ARE IN MICROFARADS, AND ALL RESISTORS ARE IN OHMS. 1/4 WATT, WITH 5% TOLERANCE UNLESS OTHERWISE SPECIFIED.

QTY.	DESCRIPTION	PART NO.
	DRAWN	CHEF JOHNSON 9/27/71
	CHECKED	
	ENGINEER	J. J. 11/29
	APPROVED	
	FIRST USED ON	107-000137 8274
	MATERIAL	
	FINISH	
	SCALE	
	SIZE	CODE
	DRAWING NUMBER	REV
	000239	07

DATA GENERAL CORPORATION
SOUTHBORO, MASSACHUSETTS 01772
TITLE
8K MEMORY
MA & MB REGISTER & CONTROL



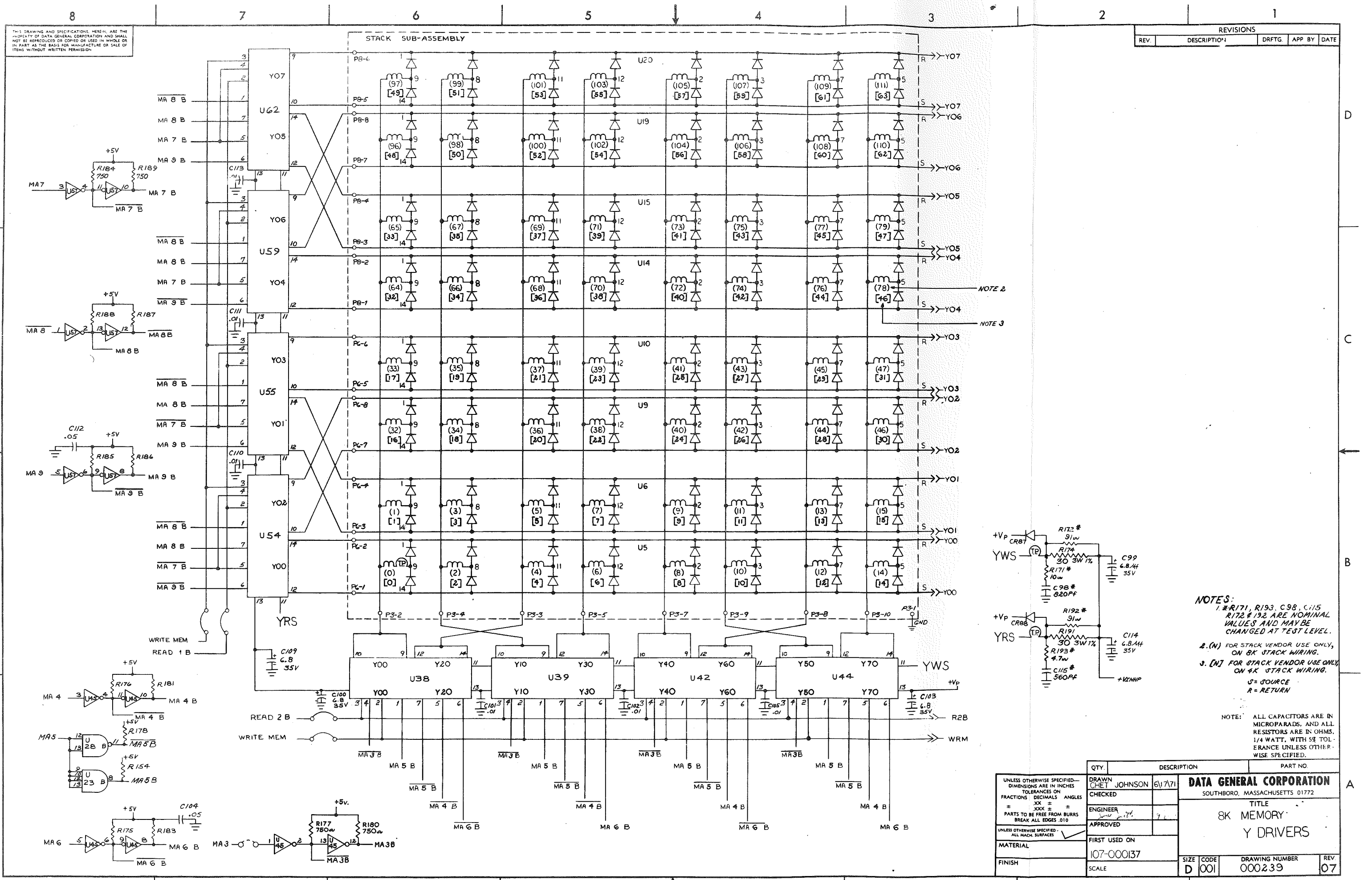
REVISIONS				
REV.	DESCRIPTION	DRFTG.	APP. BY	DATE

NOTE 2.

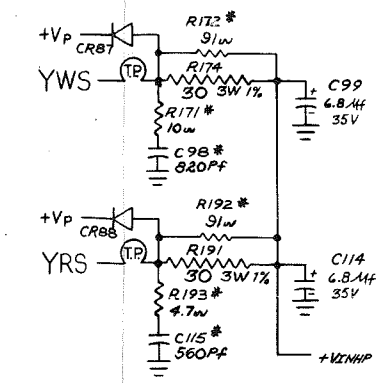
- NOTES:
- * - R196, R211, C117, C128, R196 # 209 ARE NOMINAL VALUES AND MAY BE CHANGED AT TEST LEVEL.
 - FOR STACK VENDOR USE ONLY, ON BK STACK WIRING.
- NOTE: ALL CAPACITORS ARE IN MICROFARADS. AND ALL RESISTORS ARE IN OHMS, 1/4 WATT, WITH 5% TOLERANCE UNLESS OTHERWISE SPECIFIED.

QTY.	DESCRIPTION	PART NO.

UNLESS OTHERWISE SPECIFIED—DIMENSIONS ARE IN INCHES—TOLERANCES ON FRACTIONS DECIMALS ANGLES .XX .XXX ± .010 ± .010 ± .010		DRAWN CHET JOHNSON 9/6/71		DATA GENERAL CORPORATION	
PARTS TO BE FREE FROM BURRS BREAK ALL EDGES .010		ENGINEER [Signature]		SOUTHBORO, MASSACHUSETTS 01772	
UNLESS OTHERWISE SPECIFIED—ALL MACH. SURFACES		APPROVED [Signature]		TITLE	
MATERIAL		FIRST USED ON 107-000/37		8K MEMORY	
FINISH		SCALE		X DRIVERS	
SIZE D	CODE 001	DRAWING NUMBER 000239	REV 07		



REVISIONS			
REV	DESCRIPTION	DRFTG	APP BY DATE



- NOTES:**
- *R171, R193, C98, C115
R172 & 192 ARE NOMINAL
VALUES AND MAY BE
CHANGED AT TEST LEVEL.
 - (N) FOR STACK VENDOR USE ONLY,
ON 8K STACK WIRING.
 - (N) FOR STACK VENDOR USE ONLY,
ON 4K STACK WIRING.
- S = SOURCE
R = RETURN

NOTE: ALL CAPACITORS ARE IN
MICROPARADS. AND ALL
RESISTORS ARE IN OHMS.
1/4 WATT, WITH 5% TOL-
ERANCE UNLESS OTHER-
WISE SPECIFIED.

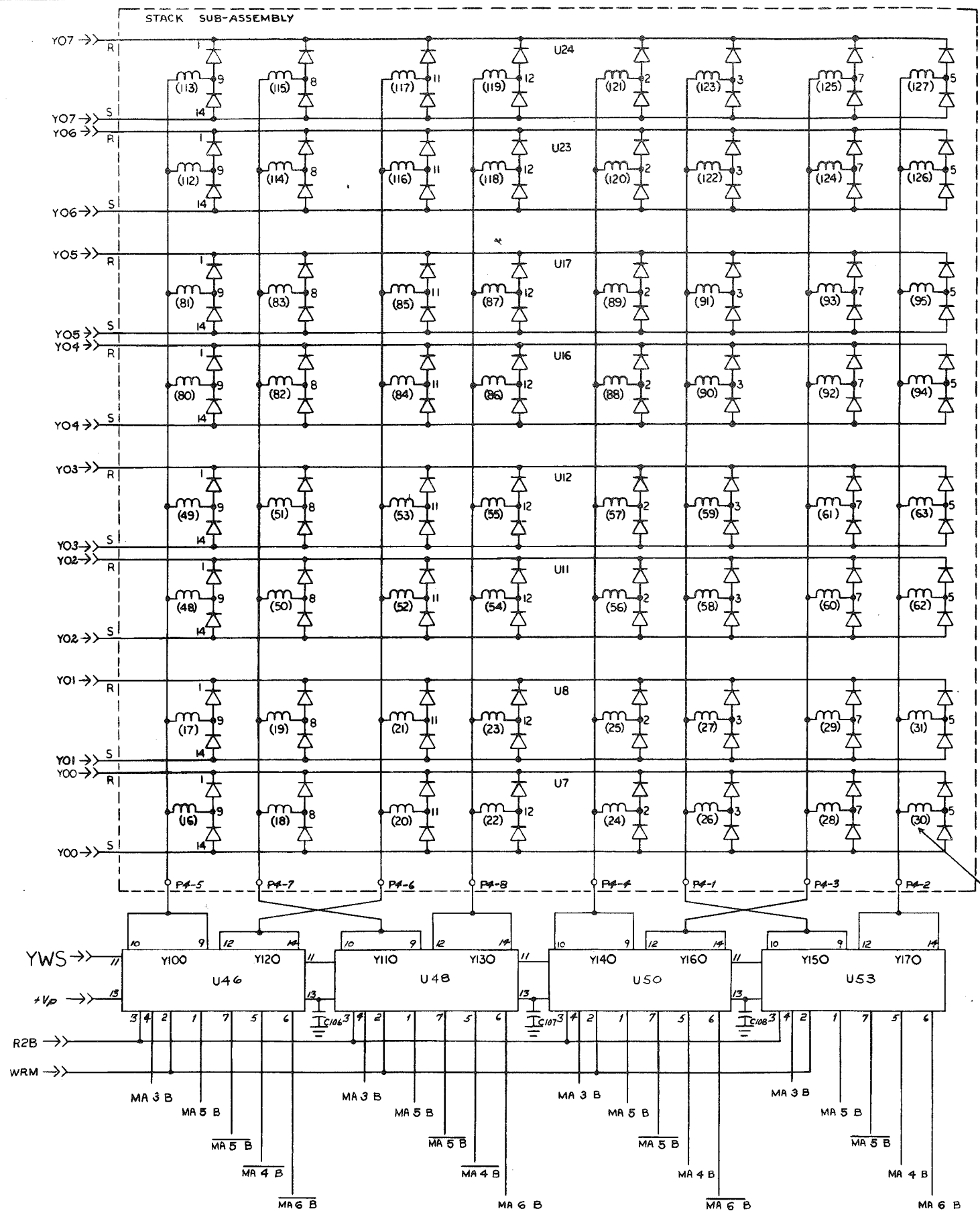
UNLESS OTHERWISE SPECIFIED— DIMENSIONS ARE IN INCHES FRACTIONS DECIMALS ANGLES		QTY.	DESCRIPTION	PART NO.
XX ±	XX ±			
±	±			
PARTS TO BE FREE FROM BURRS BREAK ALL EDGES .010				
UNLESS OTHERWISE SPECIFIED— ALL MACH. SURFACES				
MATERIAL				
FINISH				
DRAWN GRET JOHNSON 6/17/71				
CHECKED				
ENGINEER				
APPROVED				
FIRST USED ON				
107-000137				
SCALE				
SIZE CODE				
D 001				
DRAWING NUMBER				
000239				
REV				
07				

DATA GENERAL CORPORATION
SOUTHBORO, MASSACHUSETTS 01772

TITLE
**8K MEMORY
Y DRIVERS**

THIS DRAWING AND SPECIFICATIONS, HEREIN, ARE THE PROPERTY OF DATA GENERAL CORPORATION AND SHALL NOT BE REPRODUCED OR COPIED OR USED IN WHOLE OR IN PART AS THE BASIS FOR MANUFACTURE OR SALE OF ITEMS WITHOUT WRITTEN PERMISSION.

REVISIONS				
REV.	DESCRIPTION	DRFTG.	APP BY	DATE



NOTE:-
1. FOR STACK VENDOR USE ONLY,
ON 8K STACK WIRING.

NOTES: ALL CAPACITORS ARE IN MICROFARADS. AND ALL RESISTORS ARE IN OHMS. 1/4 WATT. WITH 5% TOLERANCE UNLESS OTHERWISE SPECIFIED.

UNLESS OTHERWISE SPECIFIED— DIMENSIONS ARE IN INCHES TOLERANCES ON FRACTIONS DECIMALS ANGLES XX ± XXX ± PARTS TO BE FREE FROM BURRS BREAK ALL EDGES .010	QTY.	DESCRIPTION	PART NO.
	CHECKED	9/6/77	DATA GENERAL CORPORATION SOUTHBORO, MASSACHUSETTS 01772
	ENGINEER	9/25	TITLE 8K MEMORY Y DRIVERS
	APPROVED		DRAWING NUMBER 000239
UNLESS OTHERWISE SPECIFIED— ALL MACH. SURFACES	FIRST USED ON 107-000137	SIZE D	CODE 001
MATERIAL	SCALE	DRAWING NUMBER 000239	REV 07
FINISH			