

EXB-8500 8mm Cartridge Tape
Subsystem

Illustrated Parts Catalog

Copyright

Copyright 1991 by EXABYTE Corporation. All rights reserved. This item and the information contained herein are the property of EXABYTE Corporation. No part of this document may be reproduced, transmitted, transcribed, stored in a retrieval system, or translated into any language or computer language in any form or by any means, electronic, mechanical, magnetic, optical, chemical, manual, or otherwise, without the express written permission of EXABYTE Corporation, 1685 38th Street, Boulder, Colorado 80301.

Disclaimer

EXABYTE Corporation makes no representation or warranties with respect to the contents of this document and specifically disclaims any implied warranties of merchantability or fitness for any particular purpose. Further, EXABYTE Corporation reserves the right to revise this publication without obligation to notify any person or organization of such revision or changes.

Trademark Notices

EXABYTE is a registered trademark and EXATAPE is a trademark of EXABYTE Corporation. Amphenol is a registered trademark of Amphenol Corporation. dataMate is a registered trademark of Methode Electronics, Inc. Molex is a trademark of Molex Incorporated. TORX is a registered trademark of Camcar Division of Textron, Inc.

Revision History

Rev	Date
000	Aug 1991 (Initial release)

Product Warranty Caution

The EXB-8500 8mm Cartridge Tape Subsystem (EXB-8500) is warranted to be free from defects in materials, parts, and workmanship and will conform to the current product specification upon delivery. **For the specific details of your warranty, refer to your sales contract or contact the company from which the EXB-8500 was purchased.**

The warranty for the EXB-8500 shall not apply to failures of any unit when:

- The EXB-8500 is repaired by anyone other than the Manufacturer's personnel or approved agent.
- The EXB-8500 is physically abused or is used in a manner that is inconsistent with the operating instructions or product specification defined by the Manufacturer.
- The EXB-8500 fails because of accident, misuse, abuse, neglect, mishandling, misapplication, alteration, faulty installation, modification, or service by anyone other than the factory service center or its approved agent.
- The EXB-8500 is repaired by anyone, including an approved agent, in a manner that is contrary to the maintenance or installation instructions supplied by the Manufacturer.
- The Manufacturer's serial number tag is removed.
- The EXB-8500 is damaged because of improper packaging on return.

CAUTION

Returning the EXB-8500 in unauthorized packaging may damage the unit and void the warranty.

If you are returning the EXB-8500 for repair, package it in its original packaging (or in replacement packaging obtained from your vendor). Refer to the packing instructions in the *EXB-8500 8mm Cartridge Tape Subsystem User's Manual*.

If problems with the EXB-8500 occur, contact your maintenance organization; do not void the product warranty by allowing untrained or unauthorized personnel to attempt repairs.

Contents

1	Introduction	1
2	Parts Illustrations	3
3	Part Names and Numbers	9

Figures

Figure 1	Top Cover, SYS Card Cover, and Main Housing	4
Figure 2	Printed Circuit Cards, Deck Assembly, and Card Retainers	5
Figure 3	Door, Faceplate, and Door Retainer	6
Figure 4	Deck Hanger and Bracket	7
Figure 5	Single-Ended Terminators (R-Packs)	8

1

Introduction

This catalog provides information to help you order parts for the EXABYTE® 8mm EXB-8500 Cartridge Tape Subsystem (EXB-8500). Chapter 2 contains illustrations of the EXB-8500 with callouts to show where each part is located. Chapter 3 contains the name and part number of each EXB-8500 part that you can order.

Direct your purchase orders, inquiries regarding parts orders, requests for quotations, order status, and any other parts support inquiries to EXABYTE Corporation's sales office. You can also contact Service Administration at the address and number listed below.

ATTN: Service Administration
EXABYTE Corporation
1685 38th Street
Boulder, CO 80301

Phone: (303) 442-4333
Fax: (303) 442-3816 or (303) 442-4269

Notes:

2

Parts Illustrations

This chapter contains illustrations of EXB-8500 parts. For easy reference, an abbreviated list of part names and numbers is included with each illustration. Use these part names and numbers when ordering parts. For a complete list of part names and numbers, refer to Chapter 3.

2 Parts Illustrations

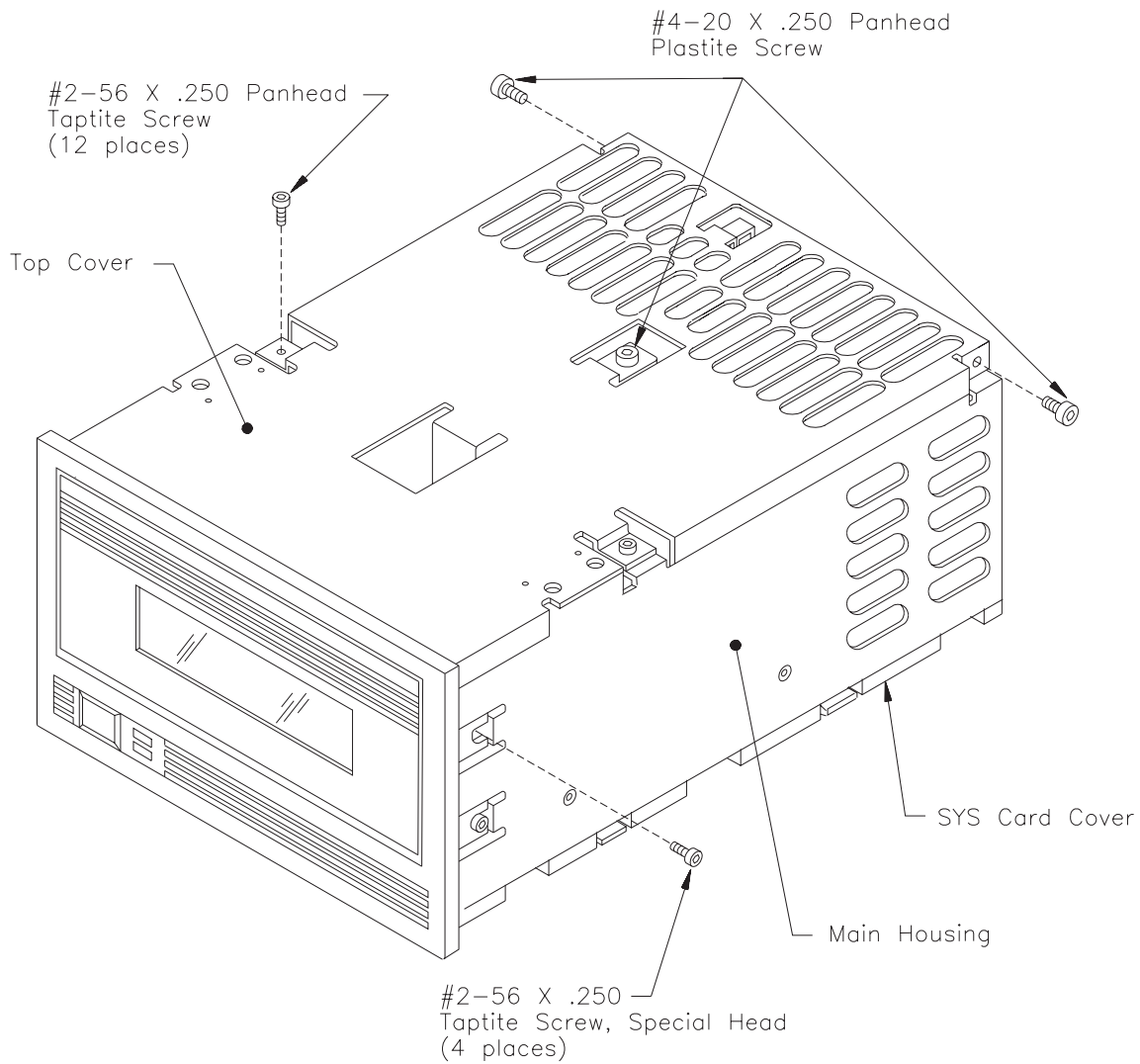


Figure 1 Top Cover, SYS Card Cover, and Main Housing

Part Name	Part Number
Main housing	110097
SYS card cover	110030
Top cover	110098
#4-20 x .250 Plastite screw, panhead	140071
#2-56 x .250 Taptite screw, panhead	140050
#2-56 x .250 Taptite screw, special head	140118

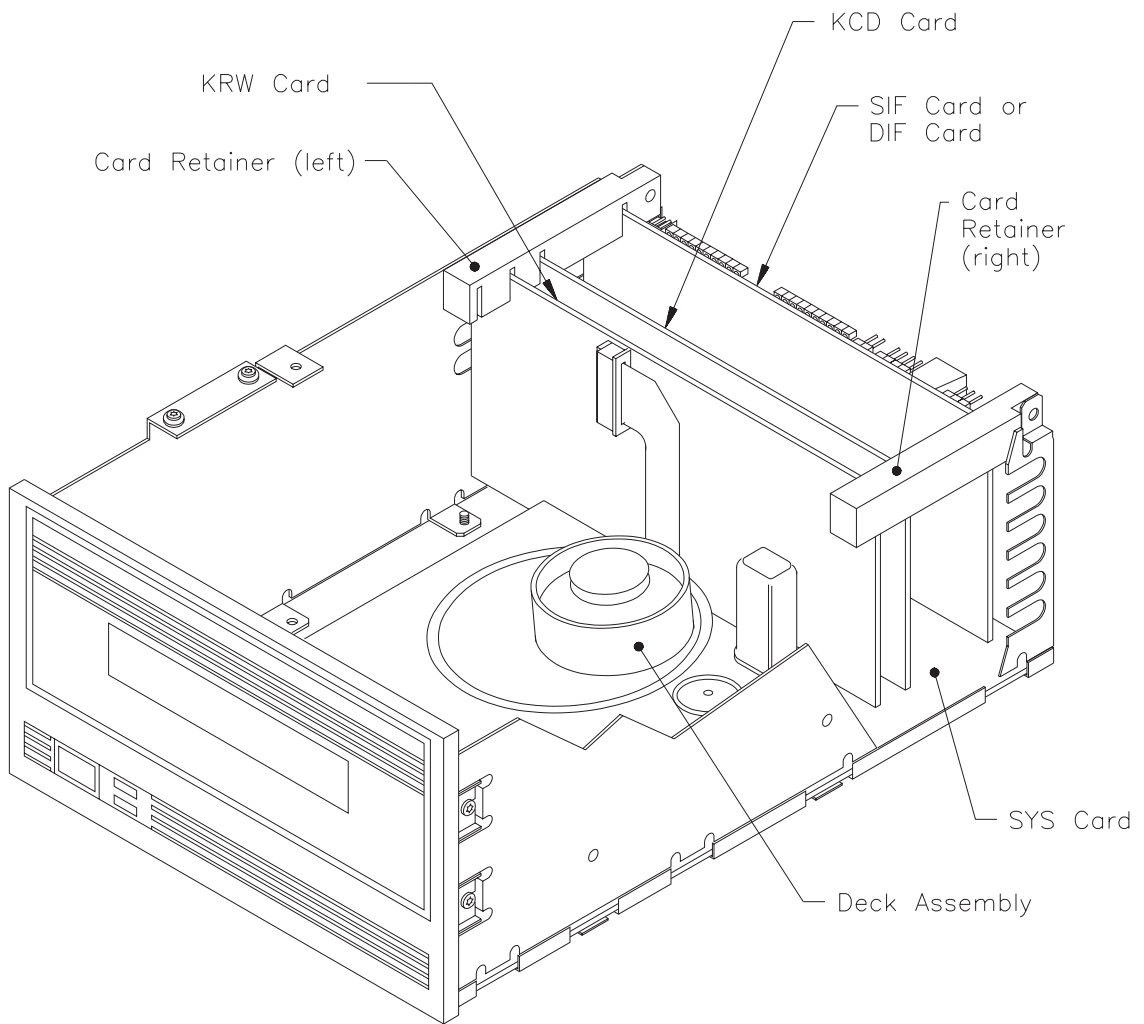


Figure 2 Printed Circuit Cards, Deck Assembly, and Card Retainers

Part Name	Part Number
Card retainer (left)	100396
Card retainer (right)	100397
Deck assembly	728050
DIF card	780301
SIF card	780400
KCD card	780200
KRW card	780100
SYS card	780500

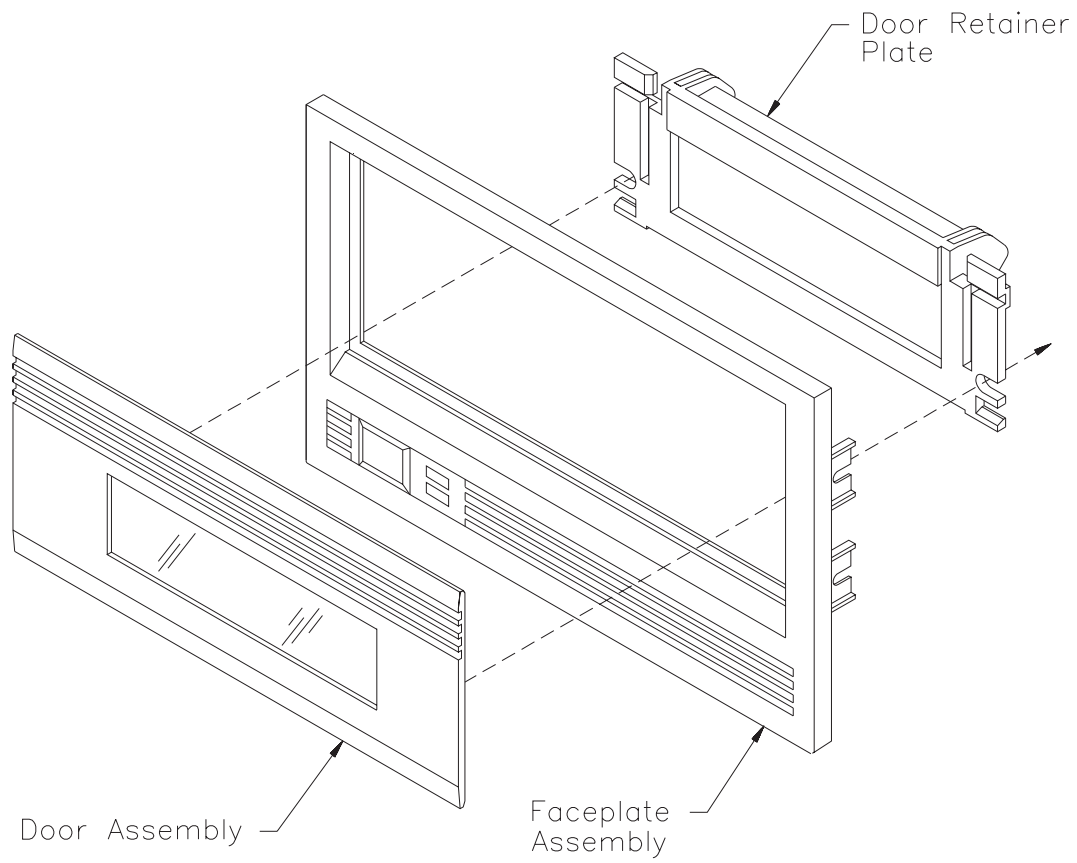


Figure 3 Door, Faceplate, and Door Retainer

Part Name	Part Number
Door assembly	770000
Door retainer plate	104000
Faceplate assembly	760000

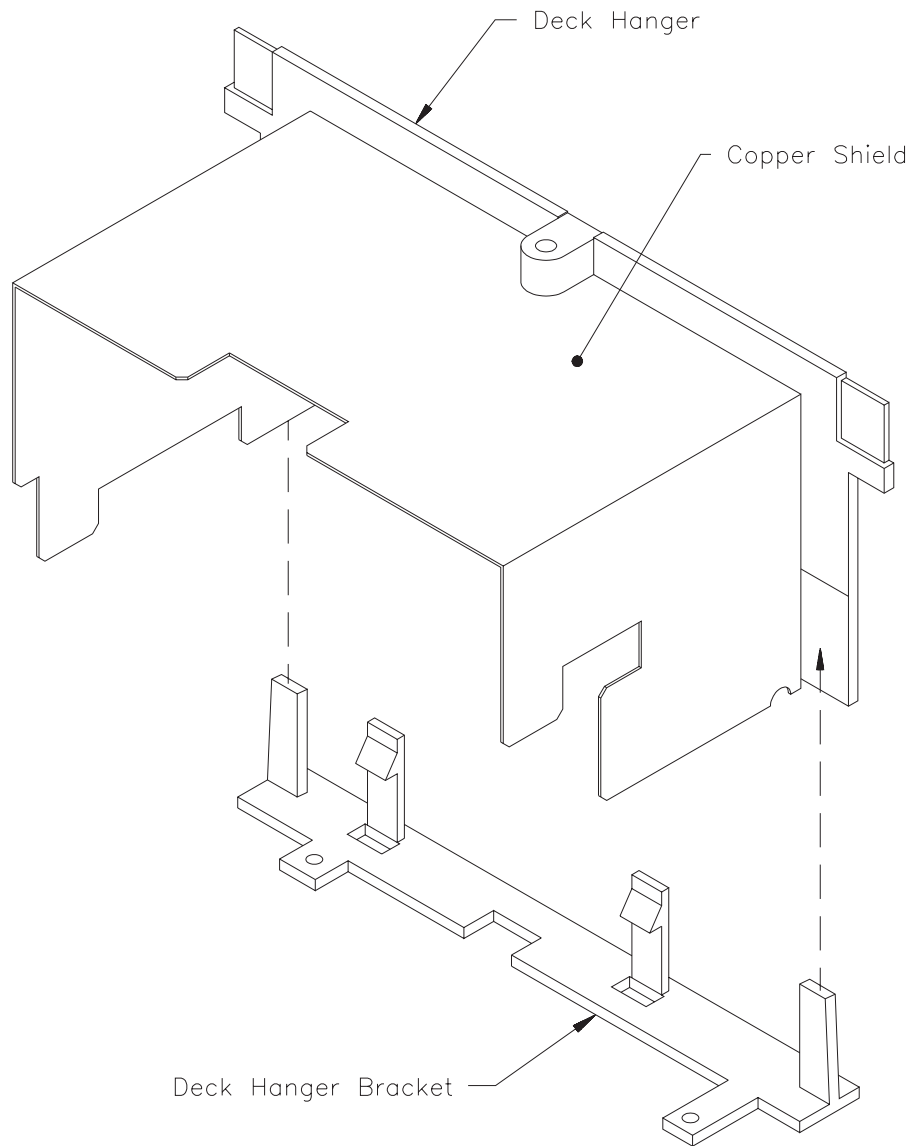


Figure 4 Deck Hanger and Bracket

Part Name	Part Number
Copper shield for deck hanger	180271
Deck hanger	100242
Deck hanger bracket	100443

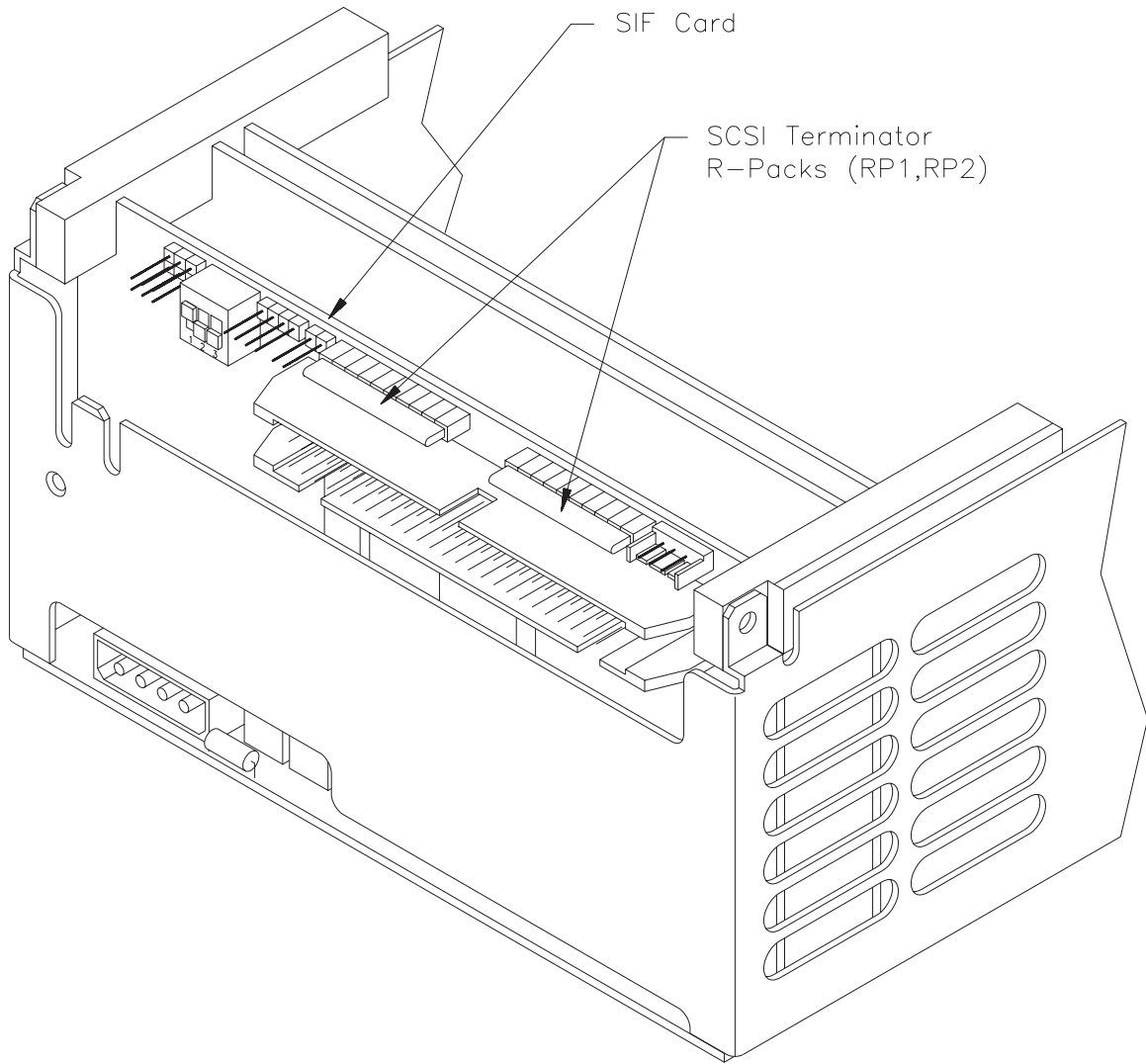


Figure 5 Single-Ended Terminators (R-Packs)

Part Name	Part Number
Terminator (R-pack)	002228

3

Part Names and Numbers

Part Name (in alphabetic order)	Part Number	Shown in . . .
Card retainer (left)	100396	Figure 2
Card retainer (right)	100397	Figure 2
Copper shield for deck hanger	180271	Figure 4
Deck assembly	728050	Figure 2
Deck hanger	100242	Figure 4
Deck hanger bracket	100443	Figure 4
DIF card	780301	Figure 2
Door assembly	770000	Figure 3
Door retainer plate	104000	Figure 3
Faceplate assembly	760000	Figure 3
KCD card	780200	Figure 2
KRW card	780100	Figure 2

3 Part Names and Numbers

Part Name (in alphabetic order)	Part Number	Shown in . . .
Main housing	110097	Figure 1
SIF card	780400	Figure 2
SYS card	780500	Figure 2
SYS card cover	110030	Figure 1
Terminator (R-pack), single-ended	002228	Figure 5
Top cover	110098	Figure 1
#4-20 × .250 Plastite screw, panhead	140071	Figure 1
#2-56 × .250 Taptite screw, panhead	140050	Figure 1
#2-56 × .250 Taptite screw, special head	140118	Figure 1