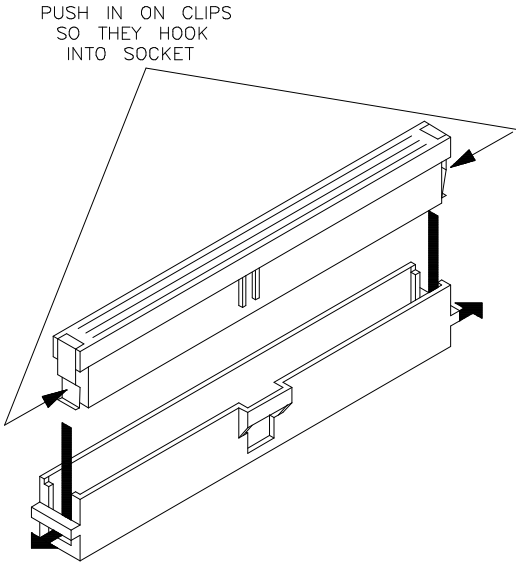

READ ME FIRST

Three ribbon cables connect the HP 64748C emulation control card to the emulator probe. When inserting the cable connectors into the sockets, press inward on the clips so that they hook into the sockets, as shown below.

Make sure the clips on the cable connectors are fully latched in each of the sockets. Otherwise, the cables will work loose and operation of your emulator will be erratic.



Hewlett-Packard Part Number 64748-92000