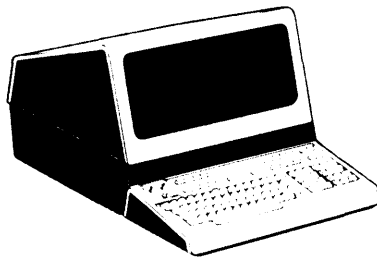


HP 13255  
DISPLAY TIMING/CONTROL MODULE  
Manual Part No. 13255-91267

PRINTED  
FEB-01-82

---

# *DATA TERMINAL* TECHNICAL INFORMATION



HEWLETT  PACKARD

## 1.0 INTRODUCTION

The Display Timing/Control module is one printed circuit assembly (PCA) of a two PCA set. The second PCA is the Display Memory/DMA module (02640-60250). This board set interfaces into the terminal environment by performing the functions of display memory management, CRT drive signal generation, and video generation.

The Display Timing/Control module replaces two separate boards in the first generation 264X hardware (display timing and display control). Resident in this module are a CRT controller, recirculating line buffers, a character ROM, and video generation circuitry. This module takes the ASCII character information and enhancement data from the Display Memory/DMA module and creates a video bit stream and synchronized drive signals to be sent to the sweep PCA.

The Display Timing/Control module takes care of all tasks associated with drive signal generation, video generation, and informs the Display Memory/DMA module of such screen related events such as end-of-data row, start of frame, and refresh timing. Each data row of ASCII characters and associated enhancements are loaded into the recirculating line buffers under the control of the Display Memory/DMA module. Once the buffers are loaded with an entire row of characters, the data is recirculated fifteen times (once for each scan line per data row), and the ASCII data is used to "look-up" a bit pattern associated with each character in each scan line. The parallel video data coming out of the character ROM is serialized, dot shifted if necessary, summed with graphics, and subjected to any active character enhancements. Cursor generation is also taken care of by the Display Timing/Control module.

A private interface to the Display Memory/DMA module is provided over a topplane through which the two boards communicate timing information and memory data.

HP 13255

DISPLAY TIMING/CONTROL MODULE

Manual Part No. 13255-91267

PRINTED

FEB-01-82

NOTICE

The information contained in this document is subject to change without notice.

HEWLETT-PACKARD MAKES NO WARRANTY OF ANY KIND WITH REGARD TO THIS MATERIAL, INCLUDING, BUT NOT LIMITED TO THE IMPLIED WARRANTIES OF MERCHANTABILITY AND FITNESS FOR A PARTICULAR PURPOSE. Hewlett-Packard shall not be liable for errors contained herein or for incidental or consequential damages in connection with the furnishing, performance, or use of this material.

This document contains proprietary information which is protected by copyright. All rights are reserved. No part of this document may be photocopied or reproduced without the prior written consent of Hewlett-Packard Company.

Copyright © 1982 by HEWLETT-PACKARD COMPANY

NOTE: This document is part of the 2647F DATA TERMINAL product series Technical Information Package (HP 13255).

## 1.0 INTRODUCTION

The Display Timing/Control module is one printed circuit assembly (PCA) of a two PCA set. The second PCA is the Display Memory/DMA module (02640-60250). This board set interfaces into the terminal environment by performing the functions of display memory management, CRT drive signal generation, and video generation.

The Display Timing/Control module replaces two separate boards in the first generation 264X hardware (display timing and display control). Resident in this module are a CRT controller, recirculating line buffers, a character ROM, and video generation circuitry. This module takes the ASCII character information and enhancement data from the Display Memory/DMA module and creates a video bit stream and synchronized drive signals to be sent to the sweep PCA.

The Display Timing/Control module takes care of all tasks associated with drive signal generation, video generation, and informs the Display Memory/DMA module of such screen related events such as end-of-data row, start of frame, and refresh timing. Each data row of ASCII characters and associated enhancements are loaded into the recirculating line buffers under the control of the Display Memory/DMA module. Once the buffers are loaded with an entire row of characters, the data is recirculated fifteen times (once for each scan line per data row), and the ASCII data is used to "look-up" a bit pattern associated with each character in each scan line. The parallel video data coming out of the character ROM is serialized, dot shifted if necessary, summed with graphics, and subjected to any active character enhancements. Cursor generation is also taken care of by the Display Timing/Control module.

A private interface to the Display Memory/DMA module is provided over a topplane through which the two boards communicate timing information and memory data.

2.0 OPERATING PARAMETERS

A summary of operating parameters for the Display Timing/  
Control module is contained in tables 1.0 through 6.1.

Table 1.0 Physical Parameters

PART NUMBER	NOMENCLATURE	Size (L x W x D) +/-0.100 Inches	Weight (Pounds)
02640-60267	Display Timing/Control PCA	12.9 x 4.0 x 0.5	0.48
NUMBER OF BACKPLANE SLOTS REQUIRED: 1			

Table 2.0 Reliability and Environmental Information

Environmental:	( X ) HP Class B	( ) Other:
Restrictions:	Type tested at product level	
Failure Rate: 2.811 (percent per 100 hours)		

Table 3.0 Power Supply and Clock Requirements - Measured  
(At +/-5% Unless Otherwise Specified)

+5 Volt Supply	+12 Volt Supply	-12 Volt Supply	-42 Volt Supply
@ 1.7 A	@ 50. mA	@ 75. mA	N/A
115 volts ac		220 volts ac	
N/A		N/A	
Clock Frequency: 21.34 MHz			

Table 4.0 Switch Definitions

PCA Designation	Function	
	Closed	Open
Display Timing/Control Module		
HZ	50 Hz mode	60 Hz mode
IV	Full screen inverse video	Normal mode
DT	Normal mode	Display tests invoked
A1,A2,A3, U1,U2,U3	These six switches allow any properly programmed character set to be displayed according to its correct format. See the text section on character set selection for further details.	
C1,C2,C3	These three switches allow the three "hardwired" alternate character sets in the character ROM to be accessed by any of the "A", "B", or "C" alternate character set select codes. See the text section on character set selection for further details.	

Table 5.0 Connector Information (Display Timing/Control PCA)

Connector and Pin No.	Signal Name	Signal Description
P1, Pin 1	+5V	+5 Volt Power Supply
-2	GND	Ground Common Return (Power and Signal)
-3	SYS CLK	4.915 MHz System Clock
-4	-12V	-12 Volt Power Supply
-5	ADDR0	Negative True, Address Bit 0
-6	ADDR1	Negative True, Address Bit 1
-7	ADDR2	Negative True, Address Bit 2
-8	ADDR3	Negative True, Address Bit 3
-9	ADDR4	Negative True, Address Bit 4
-10	ADDR5	Negative True, Address Bit 5
-11	ADDR6	Negative True, Address Bit 6



Table 5.1 Connector Information (Display Timing/Control PCA Cont'd)

Connector and Pin No.	Signal Name	Signal Description
P1, PIN 12	ADDR7	Negative True, Address Bit 7
-13	ADDR8	Negative True, Address Bit 8
-14	ADDR9	Negative True, Address Bit 9
-15	ADDR10	Negative True, Address Bit 10
-16	ADDR11	Negative True, Address Bit 11
-17	ADDR12	Negative True, Address Bit 12
-18	ADDR13	Negative True, Address Bit 13
-19	ADDR14	Negative True, Address Bit 14
-20	ADDR15	Negative True, Address Bit 15
-21	I/O	Negative True, Input Output/Memory
-22	GND	Ground Common Return (Power and Signal)

Table 5.2 Connector Information (Display Timing/Control PCA Cont'd)

Connector and Pin No.	Signal Name	Signal Description
P1, Pin A	GND	Ground Common Return (Power and Signal)
-B	POLL	Negative True, Polled Interrupt Identification Request
-C	+12V	+12 Volt Power Supply
-D	PWR ON	System Power On
-E	BUS0	Negative True, Data Bus Bit 0
-F	BUS1	Negative True, Data Bus Bit 1
-H	BUS2	Negative True, Data Bus Bit 2
-J	BUS3	Negative True, Data Bus Bit 3
-K	BUS4	Negative True, Data Bus Bit 4
-L	BUS5	Negative True, Data Bus Bit 5
-M	BUS6	Negative True, Data Bus Bit 6

Table 5.3 Connector Information (Display Timing/Control PCA Cont'd)

Connector and Pin No.	Signal Name	Signal Description
P1, PIN N	BUS7	Negative True, Data Bus Bit 7
-P	WRITE	Negative True, Read/Write Type Cycle
-R	ATN2	Negative True, CTU and Polled Interrupt Request
-S	WAIT	Negative True, Wait Control Line
-T	PRIOR IN	Bus Controller Priority In
-U	PRIOR OUT	Bus Controller Priority Out
-V	ADDR16	Positive true, Address Bit 16
-W	ADDR17	Positive True, Address Bit 17
-X	ADDR18	Positive True, Address Bit 18
-Y	REQ	Negative True, Request (Bus Data Currently Valid)
-Z	ATN	Negative True, Data Comm Interrupt Request

Table 5.4 Connector Information (Display Timing/Control PCA Cont'd)

Connector and Pin No.	Signal Name	Signal Description
P3, Pin 1	GND	Ground
-2	I/O STROBE	Cursor Control Strobe from Display Mem/DMA
-3	103	Graphics Sync. signal--Character 103
-4	DSPCLK	Positive True form of 21.34 Mhz Dot clock
-5	I/O SELECT	Negative True--Cursor control select line
-6	AB6	Negative True--ASCII Bit 6
-7	AB5	Negative True--ASCII Bit 5
-8	AB4	Negative True--ASCII Bit 4
-9	AB3	Negative True--ASCII Bit 3
-10	AB2	Negative True--ASCII Bit 2
-11	AB1	Negative True--ASCII Bit 1

Table 5.5 Connector Information (Display Timing/Control PCA Cont'd)

Connector and Pin No.	Signal Name	Signal Description
P3, PIN 12	$\overline{AB0}$	Negative True--ASCII Bit 0
-13	GND	Signal Ground
-14	MEMCYC	Clock with ~840 nsec. period defining display memory cycles
-15	EDROW	End of Data Row Pulse
-16	SHFTCLK	Line Buffer Load Clock
-17	Qa	Enhancement Alignment Clock
-18	$\overline{SLOAD}$	Negative True, (Low) Indicates that CRT Controller self-load is in progress
-19	VSCLK	Video Shift Clock--Line Buffer Display Clock
-20	XBITS2	External Video Bit Stream (Graphics)
-21	GND	Signal Ground
-22	XBITS1	External Video Bit Stream (Unused)

Table 5.6 Connector Information (Display Timing/Control PCA Cont'd)

Connector and Pin No.	Signal Name	Signal Description
P3, Pin A	DSPCLK	Negative True form of 21.34 Mhz dot clock
-B	GND	Signal Ground
-C	D2	Graphics Sync. signal--Dot 2
-D	GND	Signal Ground
-E	ZERO	Start Top-of-Frame Pulse
-F	CHARCLK	Character Rate Clock
-H	CHARCLK	Character Rate Clock (negative true)
-J	VBLANK	Vertical Blanking--Graphics Sync. Signal
-K	EB5	Positive True--Enhancement Bit 5
-L	EB4	Positive True--Enhancement Bit 4
-M	EB3	Positive True--Enhancement Bit 3
-N	EB2	Positive True--Enhancement Bit 2
-P	EB1	Positive True--Enhancement Bit 1

Table 5.7 Connector Information (Display Timing/Control PCA Cont'd)

Connector and Pin No.	Signal Name	Signal Description
P3, PIN R	EB0	Positive True--Enhancement Bit 0
-S	HSYNC	Horizontal Sync from CRT Controller
-T	GND	Signal Ground
-U	I/O BIT 5	Status Bit from Display Memory/DMA module
-V	I/O BIT 6	Status Bit from Display Memory/DMA module
-W	DMAROW=CURROW	(high) indicates that the cursor is on the same character row as the DMA module
-X	SHFTEN	Enable signal for Line Buffer Loading
-Y	GND	Signal Ground
-Z	RFSHEN	(low) indicates that Display Memory refresh is enabled

Table 5.8 Connector Information (Display Timing/Control PCA Cont'd)

Connector and Pin No.	Signal Name	Signal Description
P4, PIN 1	VIDEO	Serial Video Bit Stream
-2	BUF HLF BRT	Negative True--Half Bright Enhancement signal
-3	GND	Signal Ground
-4	VDR	Vertical Drive
-5	HDR	Horizontal Drive
-6	GND	Signal Ground



Table 6.0 Module Bus Pin Assignments--Display Timing/Control PCA

Function Performed:	Value	Bus Signal
Set Cursor Y Position	X	ADDR 15
Turn Display On/Off	X	ADDR 14
Turn DMA On/Off	X	ADDR 13
Invoke Skipeol and Mayeop Modes	X	ADDR 12
Poll Bit: Not Applicable	0	ADDR 11
Module Address: (ADDR 11,10,9,4) = (0111)	1	ADDR 10
	1	ADDR 9
Function Specifier: ADDR5 = 1	X	ADDR 8
	X	ADDR 7
	X	ADDR 6
	1	ADDR 5
	1	ADDR 4
	X	ADDR 3
	X	ADDR 2
Data Bus Bit Interpretation:	X	ADDR 1
	X	ADDR 0
B7 (high) Indicates Display Off	B7	BUS 7
B6 (high) Indicates DMA Off	B6	BUS 6
B5 (high) Indicates Skipeol or Mayeop mode may be invoked	B5	BUS 5
	B4	BUS 4
	B3	BUS 3
	B2	BUS 2
B4 Cursor Y Position BIT4	B1	BUS 1
	B0	BUS 0
B3 Cursor Y Position BIT3		
B2 Cursor Y Position BIT2		
B1 Cursor Y Position BIT1		
B0 Cursor Y Position BIT0		

1=Logical 1=Bus Low  
 0=Logical 0=Bus High  
 X=Don't Care

Table 6.1 Module Bus Pin Assignments-Display Timing/Control PCA

Function Performed:	Value	Bus Signal
Set Cursor X Position	X	ADDR 15
Turn Display Memory Refresh On/Off	X	ADDR 14
	X	ADDR 13
Poll Bit: Not Applicable	X	ADDR 12
	0	ADDR 11
Module Address: (ADDR 11,10,9,4) = (0111)	1	ADDR 10
	1	ADDR 9
Function Specifier: ADDR5 = 0	X	ADDR 8
	X	ADDR 7
	X	ADDR 6
	0	ADDR 5
	1	ADDR 4
	X	ADDR 3
	X	ADDR 2
Data Bus Bit Interpretation:	X	ADDR 1
	X	ADDR 0
B7 (high) Indicates Display Memory Refresh Off	B7	BUS 7
B6 Cursor X Position BIT6	B6	BUS 6
B5 Cursor X Position BIT5	B5	BUS 5
	B4	BUS 4
	B3	BUS 3
	B2	BUS 2
B4 Cursor X Position BIT4	B1	BUS 1
B3 Cursor X Position BIT3	B0	BUS 0
B2 Cursor X Position BIT2	1=Logical 1=Bus Low 0=Logical 0=Bus High X=Don't Care	
B1 Cursor X Position BIT1		
B0 Cursor X Position BIT0		

### 3.0 FUNCTIONAL DESCRIPTION

Refer to the block diagram (Figure 1), schematic diagram (Figures 2,3), timing diagram (Figures 4-10), component location diagram (Figure 11), and parts list located in the appendix.

### 3.1 DRIVE SIGNAL GENERATION

3.1.1 Four signals are generated by the Display Timing/Control module and sent to the sweep module. They are the video bit stream (VIDEO), a half bright enhancement signal

(BUF HLF BRT), horizontal drive (HDR), and vertical drive (VDR).

3.1.2 Horizontal drive occurs once per scan line and causes the sweep board to perform horizontal left-to-right scans. This pulse is repetitive with an approximate 44. usec period. HDR is normally low, and goes high during characters twenty four through eighty.

3.1.3 Vertical drive occurs once per frame and causes vertical retrace by "resetting" an integrator in the sweep module. This signal coincides with the pertinent line rate (i.e. 50 Hz or 60 Hz) to prevent annoying perturbations of the CRT display. VDR is normally high, and goes low during vertical retrace.

3.1.4 Scan line and frame timing are determined through the following constraints:

60 Hz--one frame = 16.67 msec = 380 scan lines  
380 scan lines = 24 character rows (data rows) of 15 scan lines each + 20 scan lines for vertical retrace

50 Hz--one frame = 20.0 msec = 456 scan lines  
456 scan lines = 24 data rows of 15 scan lines each + 96 scan lines for vertical retrace.

### 3.2 CRT CONTROLLER

3.2.1 The CRT controller used in the Display Timing/Control module is a SMC 5027 (TMS 9927). It is a programmable device with nine internal registers that configure the chip to produce the proper modulus counts for scan lines per data row (R0 to R3--15), characters per data row (H0 to H6--104), and data rows per frame (DR0 to DR4--24). These registers also control the synchronization of the drive signal outputs HSYNC, VSYNC, and BLANK, and also control the positioning of the cursor within the frame (CRV). For a complete description of the registers see an SMC or TI data sheet.

3.2.2 The CRT controller registers are loaded with the proper data at power on under the control of the power on and two millisecond timer circuit block (see hardware description section). Note that the drive signal outputs of this chip are totally unlike those needed by the 264X sweep modules and hence are used as general timing signals. The actual drive signals are generated through hardware external to the CRT controller.

### 3.3 CURSOR CONTROL

3.3.1 Cursor control is accomplished through the internal registers of the aforementioned CRT controller. The terminal processor positions the cursor through two I/O ports, one for column and one for row. These port accesses are decoded and synchronized in the Display Memory/DMA module

and a select line and CRT controller strobe (I/O SELECT and I/O STROBE) are sent over the topplane.

### 3.4 RECIRCULATING LINE BUFFERS

3.4.1 The recirculating line buffers are used to store one character row of information at a time. When an even character row is being displayed, U36-U39 are being recirculated every scan line, and U26-U29 are being loaded byte serially by the Display Memory/DMA module. When the display switches to the next row (an odd one), the reverse is true (i.e. U26-U29 are recirculated and U36-U39 are loaded). Note that these line buffers contain not only ASCII character data, but character by character enhancements as well. These enhancements include two bits for character set select, and one bit each for half bright, underline, inverse video, and blinking.

### 3.5 CHARACTER ROM AND CHARACTER SET SELECTION

3.5.1 The character ROM resident in this module is an 8Kx8 device and replaces five first generation character ROMs, which were each 1Kx8 or 1Kx9. The three-eighths of the ROM leftover are utilized to implement lower case blanking for 64 character sets and display tests. The character sets available in the 1818-1597 character ROM are as follows:

- 1) lower case English (and control codes),
- 2) upper case English,
- 3) math,
- 4) line drawing or micro-vector, and
- 5) large character.

3.5.2 Lower case blanking indicates that any reference to lower case ASCII codes (00 to 1F and 60 to 7F) while a 64 character set is invoked results in blanks being displayed on the CRT.

3.5.3 Two display tests are implemented with the character ROM and the character set select PROMs U21 and U22. These two are full screen crosshatch, and alternating @'s and del's. They are invoked with the switches labeled "DT" and "U3". When "DT" is closed, "U3" has a meaning which is discussed in depth in the hardware description. If "DT" is open, "U3" determines which display test is in effect. Note that even though the display is totally changed when display tests are invoked, this is strictly a hardware feature, and the original display will return unaltered when the display test conditions are removed.

### 3.6 DOT HALF SHIFT AND DOT REPEAT FUNCTIONS

3.6.1 The purpose of dot half shift is to effectively increase the resolution of the alpha display through the creation of "interstitial" dots. See any terminal character documentation for further details. Dot repeat functions are necessary to implement nine bit wide characters (i.e. line drawing and large characters) in an eight bit ROM. Nine bits of display are generated from eight bits of data through repeating the first bit of ROM data twice on the display.

3.6.2 Dot shift and dot repeat functions are all performed within a single parallel to serial shift register (U44). Dot shift is enabled by inverting the display clock "on the run", and dot repeat is accomplished by inhibiting certain clock edges to the shift register.

### 4.0 HARDWARE DESCRIPTION

#### 4.1 POWER ON AND 2 MSEC TIMER FOR CRT CONTROLLER SELF LOAD CIRCUITRY

4.1.1 The circuit composed of one-half of U69, Q4, CR1, R27 and R28 implements a "power on preset" that is independent of five volt rail rise time and changes state once and only once upon the first rising edge of P1-D (RESET). When the five volt rail is well below the zener voltage of CR1 (4.22v), Q4 is "off" and U69-10 is pulled low by R27. As the zener voltage is approached and finally achieved, a reverse current flows through CR1 and Q4 is driven to saturation, removing the preset condition from U69-10. This preset pulse is removed when the five volt rail is approximately 4.0 volts given the bias component values shown. Note that this circuit is dependent upon the theory that although TTL specs are not guaranteed with a rail below 4.75 volts, they are, in actuality, functional in a "static" sense at voltages well below that. Devices tested (74LS74's) exhibited functionality at 3.0 volts and below at room temperature, that value rising slightly as the temperature is dropped.

4.1.2 The CRT controller performs a "self load" during power on. This function takes approximately one msec. The SMC guys said that the CRT controller requires 256 clocks to U54-12 for each internal register of the controller. The circuit composed of R25, R26, Q3, and C33 provide a delay of approximately two msec. to allow this self load to occur correctly. When the RC circuit times out after U69-8,9 changes state, the self load address to the CRT controller is removed (U54-40), the self load data PROM (U62) is disabled, the data bus buffer (U56) is enabled, and the CRT controller starts counting and producing the SYNC outputs.

#### 4.2 CRT CONTROLLER SELF LOAD STROBE GENERATOR

4.2.1 The self load strobe generating circuitry allows the CRT controller to be strobed (U54-9) by two sources. I/O STROBE (P3-2) strobes the CRT controller during normal cursor control. U712-5 and VSCLK (P3-19) are used to generate a single low going pulse to U54-9 immediately after power on/reset goes high for the first time. This strobe begins the power on self load sequence described above. The first rising edge of U510-4 after power on/reset causes U712-6 to change state and shuts down the self load strobe generator permanently.

4.2.2 Note that VSCLK is a repetitive clock and U54-9 is strobed continually until power on/reset, at which point one more strobe is generated to guarantee that the CRT controller self load sequence is begun.

#### 4.3 CRT CONTROLLER SELF LOAD DATA PROM

4.3.1 The CRT controller self load data PROM contains the data necessary to configure the CRT controller for both 60 Hz and 50 Hz modes. Switch four of switch bank two (HZ) is left open for 60 Hz and closed for 50 Hz. During CRT controller self load, the raster line counter outputs (R0-R3) count from zero to fifteen and one half of the PROM is read. The first nine values read are latched internally within the CRT controller. The latched data configures the CRT controller and determines the mode in which it operates.

4.3.2 The following is a description of the contents of the self load data PROM part number 1816-1487. See a data sheet on the CRT controller for further details. Note that the PROM data is positive true except for bit seven, which is negative true.

ADDR. (HEX)	MODE	CONTENTS (HEX)	MEANING
00	50 Hz	E7	104 Character Times/Row
01	"	CB	Non-interlaced Mode 9 Character Time HSYNC Pulse 3 Character Time "Front Porch"
02	"	F5	15 Scan Lines/Row 80 Displayed Characters/Row
03	"	97	No skew characters 24 Rows/Frame
04	"	E4	456 Scan Lines/Frame
05	"	88	VSYNC Pulse Occurs 8 Scan Lines Before Video Foretrace
06	"	97	Row 24 is Last Row of Frame
07	"	80	Cursor Column Equals 0
08	"	80	Cursor Row Equals 0
09	"	FF	Unused
0A	"	FF	"
0B	"	FF	"
0C	"	FF	"
0D	"	FF	"
0E	"	FF	"
0F	"	FF	"
10	60 Hz	E7	Same as 50 Hz
11	"	CB	" " " "
12	"	F5	" " " "
13	"	97	" " " "
14	"	BE	380 Scan Lines/Frame
15	"	88	Same as 50 Hz
16	"	97	" " " "
17	"	80	" " " "
18	"	80	" " " "
19	"	FF	Unused
1A	"	FF	"
1B	"	FF	"
1C	"	FF	"
1D	"	FF	"
1E	"	FF	"
1F	"	FF	"



#### 4.4 CRT CONTROLLER AND CURSOR ADDRESS AND DATA SELECTORS

4.4.1 The CRT controller is an SMC 5027 or a TMS 9927. Look elsewhere in this text and in a data sheet for more information.

4.4.2 The addresses for the CRT controller internal registers are controlled by inputs A0-A3 (pins 39,40,1,2). Following are the addresses pertinent to the CRT controller performance in this module:

ADDRESS A3,A2,A1,A0	FUNCTION
1111	CRT controller self load
1101	cursor row select
1100	cursor column select

4.4.3 Note that there are pullup resistors on all inputs of the CRT controller. This is due to the required  $V_{ih}$  (minimum high input voltage) of the controller.

4.4.4 Note also that data bit seven is active only during CRT controller self load and is forced low forever after. U25-1,2,3,11,12,13 mask imbedded status bits in the cursor row I/O byte.

#### 4.5 DATA BUS BUFFER

4.5.1 U56 buffers data from the backplane onto this module. During CRT controller self load, U56 is held disabled by SELFLOAD (U411-10). When self load is complete, U56 is enabled and stays enabled forever after.

#### 4.6 REFRESH ENABLE FLIP-FLOP

4.6.1 The refresh enable flip-flop provides a means by which memory refresh on the Display Memory/DMA module can be halted. An I/O write to the cursor column with the most significant bit set will turn refresh off and a write with bit seven not set will turn it on.

4.6.2 This feature is presently not used by any old software or the 2647F software, but has been provided in case extensive display memory testing becomes necessary.

#### 4.7 VERTICAL RETRACE SYNC CIRCUIT

4.7.1 The circuit composed of U69-FF#1 and U45-11,12,13 synchronizes turning the display on during vertical retrace. A bit imbedded in the cursor row byte (bit seven) causes the display to be turned on and off. When the display is off, U69-4 is held low and display is turned off by U69-6, U69-5 is high and therefore P3-V (I/O BIT 6) is high. P3-V being high causes the DMA machine to stop DMA cycles.

4.7.2 When a write to cursor row with bit seven not set occurs, U57-19 goes high and the following VBLANK (U69-3) will turn the display on and restart the DMA machine (i.e. P3-V will go low).

#### 4.8 CURSOR ROW AND DMA ROW COMPARISON CIRCUITRY

4.8.1 Two software modes described elsewhere, SKIPEOL and MAYEOP, need information concerning the relative positions of DMA and processor action within the display memory linked list. In particular, when the DMA row is the same as the cursor row, the display memory structure can be misinterpreted by the DMA state machine. The circuitry composed of U57, U710, U610, and 1/2 of U67 informs the DMA state machine in the Display Memory/DMA module when the DMA row equals cursor row.

4.8.2 The cursor row information is supplied by the processor during I/O writes to cursor row, and is stored in U57. The DMA row information is generated by U710, and eight bit counter that is reset by ZERO (P3-E) at the beginning of each frame, and increments by one at the end of each data row. U610 is a four bit comparator and along with U67-1,2,3,4,5,6 all five bits of the row values are compared. U610-6 is the final result of the comparison. This value is a one when the rows are equal and a zero when unlike. U610-6 is sampled by P3-F (CHARCLK) through U412-3,2 and sent over the topplane (P3-W) to the Display Memory/DMA module.

#### 4.9 RASTER LINE DECODER

4.9.1 The raster line decoder (U52) monitors the raster line outputs of the CRT controller (R0-R3) and creates four output signals. These outputs are RL0, RL11, RL11 OR RL12, AND RL14. RL0 is used to

#### ADD FROM #TCL

create the signal EDROW (end of data row) by being summed with the character decoder output CHAR3 or CHAR4 (U66-11). RL11 is used to create an underline under enhanced characters. RL11 or RL12 is used to create the alphanumeric cursor. RL14 is used to end each frame and start vertical retrace. RL14 is summed with DATA ROW 23 (U72-6) at U612-8,9,10 and creates a signal that is high only on the last scan line of foretrace.

4.9.2 The contents of the raster line decoder PROM are as follows:

HP PART NUMBER: 1816-1488  
USED ON ASSEMBLY 02640-60267 (DISPLAY TIMING/CONTROL) U52  
FUNCTION: RASTER LINE DECODER  
OUTPUT DEFINITION:

01--RASTER LINE ZERO	( POSITIVE TRUE)
02--RASTER LINE ELEVEN	( " " )
03--RASTER LINE ELEVEN OR TWELVE	( " " )
04--RASTER LINE FOURTEEN	( " " )
05 THROUGH 08 ARE UNUSED	

ROM GENERIC PART NUMBER: 7603A (32X8)  
ROM CONTENTS:

\$A0000,  
01,00,00,00,00,00,00,00,00,00,00,06,04,00,08,00,  
FF,FF,FF,FF,FF,FF,FF,FF,FF,FF,FF,FF,FF,FF,FF,

SUM=1003

4.9.3 Note that the data is displayed with Data I/O's Model 19 Prom Programmer Format.

#### 4.10 CHARACTER DECODER

- 4.10.1 The character decoder (U66) monitors the character counter outputs of the CRT controller (H0-H6) and creates four output signals. These outputs are HORIZONTAL DRIVE, CHAR3 or CHAR4, VIDEO SHIFT ENABLE, AND  $\overline{103}$ .
- 4.10.2 HORIZONTAL DRIVE is synchronized to the character boundary by CHARCLK (P3-F) and U311-13,14,15 to create the HDR signal used by the sweep module.
- 4.10.3 CHAR3 or CHAR4 goes high during characters three and four and is used to create the signal EDROW by being summed with RL0 at U73-8,9,10.
- 4.10.4 VIDEO SHIFT ENABLE is a representation of horizontal foretrace and retrace, shifted in time by two character periods to account for pipelining in the Display Timing/Control module. VIDEO SHIFT ENABLE is high for characters "-2" to 78 and low for the duration of the raster line. This signal goes over the topplane (P3-X==SHFTEN) to the Display Memory/DMA module and allows the creation of the VIDEO SHIFT CLOCK (VSCLK==P3-19) which is used by the recirculating line buffers in the Display Timing/Control module.
- 4.10.5  $\overline{103}$  is a graphics synchronization signal that goes over the topplane (P3-3) to the graphics module where it is summed with the signal D2 from the Display Memory/DMA module and used to create the signal 103.D2 for graphics operation.

4.10.6 The contents of the character decoder are as follows:

HP PART NUMBER: 1816-1483  
USED ON ASSEMBLY 02640-60267 (DISPLAY TIMING/CONTROL) U66  
FUNCTION: CHARACTER COUNT DECODER

OUTPUT DEFINITION:

- O1---HORIZONTAL DRIVE (POSITIVE TRUE)
- O2---CHARACTERS 3 OR 4 ( " " )
- O3---VIDEO SHIFT ENABLE ( " " )
- O4---CHARACTER 103 (NEGATIVE TRUE)

ROM GENERIC PART NUMBER: 7611A (256X4)

ROM CONTENTS:

```
$A0000.  
C,C,C,E,E,C,C,C,C,C,C,C,C,C,C,C,  
C,C,C,C,C,C,C,D,D,D,D,D,D,D,D,D,  
D,D,D,D,D,D,D,D,D,D,D,D,D,D,D,D,  
D,D,D,D,D,D,D,D,D,D,D,D,D,D,D,D,  
D,D,D,D,D,D,D,D,D,D,D,D,D,D,9,9,  
8,8,8,8,8,8,8,8,8,8,8,8,8,8,8,8,  
8,8,8,8,8,8,4,C,C,C,C,C,C,C,C,C,  
C,C,C,C,C,C,C,C,C,C,C,C,C,C,C,C,
```

```
$A0080.  
F,F,F,F,F,F,F,F,F,F,F,F,F,F,F,F,  
F,F,F,F,F,F,F,F,F,F,F,F,F,F,F,F,  
F,F,F,F,F,F,F,F,F,F,F,F,F,F,F,F,  
F,F,F,F,F,F,F,F,F,F,F,F,F,F,F,F,  
F,F,F,F,F,F,F,F,F,F,F,F,F,F,F,F,  
F,F,F,F,F,F,F,F,F,F,F,F,F,F,F,F,  
F,F,F,F,F,F,F,F,F,F,F,F,F,F,F,F,  
F,F,F,F,F,F,F,F,F,F,F,F,F,F,F,F,  
F,F,F,F,F,F,F,F,F,F,F,F,F,F,F,F,
```

SUM=0D55

4.11 CURSOR EXTEND ONE-SHOT

4.11.1 The cursor extend one-shot (U112) is used to prevent the "galloping" cursor effect when the cursor is moved continuously horizontally or vertically. Every positioning of the cursor is associated with a pulse on P3-2 (I/O STROBE). This pulse triggers U112 and causes the cursor blink to be masked "on" for approximately 300 msec.

#### 4.12 SYNCHRONIZATION LATCH

4.12.1 The synchronization latch (U311) samples the outputs and "derived" outputs of the CRT controller and allow those signals to change state only on character boundaries (i.e. as a result of CHARCLK--P3-F).

#### 4.13 VERTICAL DRIVE SIGNAL GENERATION

4.13.1 The vertical drive generation circuitry has been designed to be compatible with both the 264X sweep module and the 2647F sweep module (basically a revision of the 262X sweep module). Another important feature of this circuit block is that changing between 60 Hz drive mode and 50 Hz drive mode is accomplished through changing the position of switch "HZ" while the power is off.

4.13.2 The requirements of the two sweep modules differ so substantially that two distinct mode of operation are required. U611 (LS51--dual AND-OR-INVERT) provides for these two modes by allowing separate and distinct trigger events for 50 Hz and 60 Hz modes.

4.13.3 For 60 Hz operation, vertical drive (VDR) is brought low as a result of P3-J (VBLANK) going high. It is returned to the high state ten raster lines before video foretrace as a result of the CRT controller output VSYNC (U54-11). These ten raster lines are required for the 2647F sweep module to allow second order effects to "smooth" out.

4.13.4 For 50 Hz operation, VDR is brought low 32 raster lines into vertical retrace and returned high 10 raster lines before video foretrace.

4.13.5 U711 (FF#2) samples the output of U612-8 every raster line and changes state high when the last raster line of foretrace is reached. This change of state removes the "clear" condition from U512 and allows this eight bit counter to begin counting the raster lines of vertical retrace. This counter is decoded to form three

pertinent outputs-- $\overline{32}$ ,  $\overline{20}$ , and  $\overline{96}$ .  $\overline{32}$  (U512-10) starts

50 Hz VDR.  $\overline{20}$  (U512-5.AND.U512-11) ends 60 Hz VBLANK.

$\overline{96}$  (U512-10.AND.U512-9) ends 50 Hz VBLANK.

#### 4.14 RECIRCULATING LINE BUFFERS

4.14.1 The eight recirculating line buffers are used to store one character row of information for video display output while allowing another row to be "created", or fetched from display memory. These eight parts are TMS3120's, 80X4 shift registers. They are MOS parts and have strange clock requirements--see a data sheet for more details.

4.14.2 U36-U39 is the even row bank of shift registers and U26-U29 is the odd bank. DRZERO (U51-7) selects the bank for video display through U210.

4.14.3 While an odd row is being displayed on the CRT, U36-U39 are being loaded with character information over the topplane through the action of SHFTCLK (P3-16) from the Display Memory/DMA module. The recirculate pins of the shift registers (2, 5, 9, 14) are held low and the registers are clocked exactly eighty times. This action loads these shift registers with the data for the next character row on the CRT.

4.14.4 During this loading action, the data contained in U26-U29 is being shifted exactly eighty times per raster line. Since the recirculate pins on the shift registers are held high during video display the output is fed back to the input, and the character cell information within the shift registers remains stationary through all fifteen raster lines of each character row.

- 4.14.5 When the end of a character row is reached, DRZERO changes states and the bank of shift registers that were displayed are now loaded, whereas the bank that was loaded is now displayed.
- 4.15 ODD/EVEN CLOCK SELECTOR
  - 4.15.1 U210 controls the loading/recirculating action of the recirculating line buffers. U210 is simply a multiplexer with two clock inputs and two static inputs. These inputs are connected in a different order for each input bank. As DRZERO changes states, the four inputs are routed to the output pins in different order, thereby controlling which clock and recirculate level go to which bank of shift registers.
  - 4.15.2 VSCLK (P3-19 video shift clock) is routed to the shift register bank that has the recirculate pins held high, and SHFTCLK (P3-16 shift clock from DMA) is impressed upon the bank with the recirculate pins low.
- 4.16 LINE BUFFER OUTPUT SELECTORS
  - 4.16.1 The line buffer output selectors are multiplexing latches. Depending on the state of U210-7 (EVEN RECIRC.), the output of one bank of shift registers will be selected and latched every clock cycle of P3-H.
- 4.17 8K X 8 CHARACTER ROM
  - 4.17.1 The 8K X 8 character ROM resident in this module (1818-1597) contains four complete character sets plus two display display test patterns.
  - 4.17.2 The address lines to the ROM consist of four raster line counter bits, six ASCII bits, one upper/lower case bit, and two character set select bits. The raster line and character set select bits are positive true. The ASCII bits are negative true.
  - 4.17.3 The chip enable is low true and is enabled only during the eighty foretrace character times. The outputs of the ROM are pulled high so that during the disabled retrace period, the "video output" of the character ROM is held "off".



4.17.4 The following is a memory map of the standard character ROM (1818-1597):

Alt. Char. Set #3 (Large Char.)	1FFF
Display Test #2 (Cross Hatch)	1C00 1BFF
Alt. Char. Set #2 (Line Drwg)	1800 17FF
Blank Fill (i.e. ASCII 20H)	1400 13FF
Alt Char. Set #1 (Math Char.)	1000 0FFF
Display Test #1 (@'s and del's)	0C00 0BFF
Upper Case English ("space" to "_")	0800 07FF
Lower Case English ("null" to "del")	0400 03FF
	0000

4.18 CHARACTER SET SELECT LOGIC

4.18.1 The character set select logic consists of some switches, two fast bipolar PROM's, and one nand gate (U11). These switches provide the "hardwired" character ROM with psuedo-soft capabilities.

4.18.2 Switches C1 to C3 map the character set select bits (U48-13,12) into any of the alternate character sets resident in the ROM.

4.18.3 Switches C1, C2, and C3 determine character set selection according to the following chart:

Switch position			Logical Character Set	Set Actually Selected
C1	C2	C3		
-----				
(C=closed, D=open)				
C	C	C	A	Math
D	D	C	B	Line Drawing
D	or D	D	C	Large Character
C	C	D	A	Math
C	C	D	B	Large Character
C	C	D	C	Line Drawing
C	D	C	A	Line Drawing
C	D	C	B	Math
C	D	C	C	Large Character
C	D	D	A	Line Drawing
C	D	D	B	Large Character
C	D	D	C	Math
D	C	C	A	Large Character
D	C	C	B	Math
D	C	C	C	Line Drawing
D	C	D	A	Large Character
D	C	D	B	Line Drawing
D	C	D	C	Math

4.18.4 Switches A1 to A3 determine whether the alternate character sets are treated as dot shift or dot repeat characters. An open switch indicates that the character ROM data will be treated as dot-shift data and conversely, a closed switch will cause the ROM data to be displayed under dot-repeat format.

4.18.5 Note that the mode selection output (U21-10) corresponds to the actual set selected and not necessarily to the logical A, B, or C inputs to the PROM. This means that these three switches correspond to defining the display mode of the alternate character sets within specific address ranges of the character ROM. The following truth table explains switches A1, A2, and A3:

Character ROM Address Range	Switch Position			Dot-shift (DS), or Dot-repeat (DR) mode
	A1	A2	A3	
0000 to 07FF	X	X	X	DS
0C00 to 0FFF	0	X	X	DR
	1	X	X	DS
1400 to 17FF	X	0	X	DR
	X	1	X	DS
1C00 to 1FFF	X	X	0	DR
	X	X	1	DS

4.18.6 Switches U1 to U3 enable the character ROM to be programmed with 128 character alternate character sets as well as the 64 character alternate character sets the standard ROM contains. Note that expanding alternate character set #2 to 128 characters will destroy the ASCII blank fill in the character ROM address range of 1000 to 13FF. This will disrupt the proper display of lowercase input to 64 character alternate character sets and should be avoided if possible. Also note that expanding alternate character sets #1 and #3 to 128 character sets will delete the display test patterns resident in the ROM.

4.18.7 The switches U1, U2, and U3 correspond to the logical A, B, or C alternate character set selection and NOT to any specific address range within the character ROM. A closed "U" switch will cause display of a 128 character alternate character set, and an open switch will restrict alternate character set display to 64 characters.

4.18.8 These "U" switches perform according to the following truth table:

		PROM INPUTS						PROM OUTPUTS U22-			
CS0	CS1	AB5	AB6	U1	U2	U3	DT	-9	-10	-11	-12
A0	A1	A2	A3	A4	A5	A6	A7	04	03	02	01
0	0	0	0	X	X	X	0	0	0	0	0
0	0	1	0	X	X	X	0	1	0	0	0
0	0	0	1	X	X	X	0	1	0	0	0
0	0	1	1	X	X	X	0	0	0	0	0
1	0	0	0	0	X	X	0	0	0	0	0
1	0	0	0	1	X	X	0	1	0	0	0
1	0	1	0	X	X	X	0	1	0	0	0
1	0	0	1	X	X	X	0	1	0	0	0
1	0	1	1	0	X	X	0	0	0	0	0
1	0	1	1	1	X	X	0	0	1	0	1
0	1	0	0	X	0	X	0	0	0	0	0
0	1	0	0	X	1	X	0	1	0	0	0
0	1	1	0	X	X	X	0	1	0	0	0
0	1	0	1	X	X	X	0	1	0	0	0
0	1	1	1	X	0	X	0	0	0	0	0
0	1	1	1	X	0	X	0	0	1	0	1
1	1	0	0	X	X	0	0	0	0	0	0
1	1	0	0	X	X	1	0	1	0	0	0
1	1	1	0	X	X	X	0	1	0	0	0
1	1	0	1	X	X	X	0	1	0	0	0
1	1	1	1	X	X	0	0	0	0	0	0
1	1	1	1	X	X	1	0	0	1	0	1
X	X	X	X	X	X	0	1	0	1	1	0
X	X	X	X	X	X	1	1	0	1	0	0

4.18.9 The following are descriptions of the contents of the two character set select PROM's (U21 and U22):

HP PART NUMBER: 1816-1490  
USED ON ASSEMBLY 02640-60267 (DISPLAY TIMING/CONTROL) U21  
FUNCTION: ALTERNATE CHARACTER SET SELECT PROM  
OUTPUT DEFINITION:

01--CHARACTER SET BIT0	(POSITIVE TRUE)
02--CHARACTER SET BIT1	( " " )
03--DOT SHIFT CHARACTER SET	( " " )
04--DOT REPEAT CHARACTER SET (UNUSED)	( " " )

ROM GENERIC PART NUMBER: 7611A (256X4)  
ROM CONTENTS:

\$A0000.  
7,A,9,8,7,8,A,9,7,9,A,8,7,A,9,8,  
7,A,8,9,7,8,9,A,7,9,8,A,7,A,9,8,  
7,6,9,8,7,8,6,9,7,9,6,8,7,6,9,8,  
7,6,8,9,7,8,9,6,7,9,8,6,7,6,9,8,  
7,A,5,8,7,8,A,5,7,5,A,8,7,A,5,8,  
7,A,8,5,7,8,5,A,7,5,8,A,7,A,5,8,  
7,6,5,8,7,8,6,5,7,5,6,8,7,6,5,8,  
7,6,8,5,7,8,5,6,7,5,8,6,7,6,5,8,

\$A0080.  
7,A,9,4,7,4,A,9,7,9,A,4,7,A,9,4,  
7,A,4,9,7,4,9,A,7,9,4,A,7,A,9,4,  
7,6,9,4,7,4,6,9,7,9,6,4,7,6,9,4,  
7,6,4,9,7,4,9,6,7,9,4,6,7,6,9,4,  
7,A,5,4,7,4,A,5,7,5,A,4,7,A,5,4,  
7,A,4,5,7,4,5,A,7,5,4,A,7,A,5,4,  
7,6,5,4,7,4,6,5,7,5,6,4,7,6,5,4,  
7,6,4,5,7,4,5,6,7,5,4,6,7,6,5,4,

SUM=0700

HP PART NUMBER: 1816-1489  
USED ON ASSEMBLY 02640-60267 (DISPLAY TIMING/CONTROL) U22  
FUNCTION: DISPLAY TEST CHARACTER RANGE SELECT PROM  
OUTPUT DEFINITION:

01--CHARACTER SET BIT0	(POSITIVE TRUE)
02--CHARACTER SET BIT1	( " " )
03--DISPLAY TEST "ON"	( " " )
04--UPPER CASE (LOWER CASE BAR)	( " " )

ROM GENERIC PART NUMBER: 7611A (256X4)  
ROM CONTENTS:

\$A0000.  
0,0,0,0,8,8,8,8,8,8,8,8,0,0,0,0,  
0,8,0,0,8,8,8,8,8,8,8,8,0,5,0,0,  
0,0,8,0,8,8,8,8,8,8,8,8,0,0,5,0,  
0,8,8,0,8,8,8,8,8,8,8,8,0,5,5,0,  
0,0,0,8,8,8,8,8,8,8,8,8,0,0,0,5,  
0,8,0,8,8,8,8,8,8,8,8,8,0,5,0,5,  
0,0,8,8,8,8,8,8,8,8,8,8,0,0,5,5,  
0,8,8,8,8,8,8,8,8,8,8,8,0,5,5,5,

\$A0080.  
6,6,6,6,6,6,6,6,6,6,6,6,6,6,6,  
6,6,6,6,6,6,6,6,6,6,6,6,6,6,6,  
6,6,6,6,6,6,6,6,6,6,6,6,6,6,6,  
6,6,6,6,6,6,6,6,6,6,6,6,6,6,6,  
4,4,4,4,4,4,4,4,4,4,4,4,4,4,4,  
4,4,4,4,4,4,4,4,4,4,4,4,4,4,4,  
4,4,4,4,4,4,4,4,4,4,4,4,4,4,4,  
4,4,4,4,4,4,4,4,4,4,4,4,4,4,4,

SUM=051C

#### 4.19 ENHANCEMENT "PIPELINE AND ALIGNMENT" LATCHES

- 4.19.1 The enhancement pipeline latch (U412) stores the enhancements bits for one character time. This storage period ensures that the enhancements are aligned with the proper character cell.
- 4.19.2 The enhancement alignment latch (U312) delays the changing of enhancements by approximately 100 nsec. This time allows parallel to serial conversion of the video bit stream summation with graphics, and dot stretching to occur and still have the character centered within the enhancement boundaries.

#### 4.20 CHARACTER ROM OUTPUT LATCH

4.20.1 The character ROM output latch (U34) samples the output of the character ROM every character time and ensures that the data to the parallel/serial converter is valid at the pertinent times.

4.20.2 Note that the character ROM outputs are pulled high so that when the ROM is disabled, only "high" values (blank on the CRT) are latched into U34.

#### 4.21 PARALLEL TO SERIAL CONVERTER AND DOT CLOCK LOGIC

4.21.1 The circuit block consisting of U44, U24, U31 (FF#2), and parts of U25, U35, and U67 accomplish the conversion of character ROM data to a valid serial bit stream.

4.21.2 Under the control of the dot clock logic, U44 loads the outputs of U34 in a parallel fashion, and shifts out a serial video bit stream. The manner in which this feat is accomplished varies depending on two factors; is the character information a dot shift or a dot repeat character? and if a dot shift character, does this particular bit stream need to be dot shifted?

4.21.3 With dot repeat characters, U31-6 will go high and allow the first dot clock to U44-7 to be inhibited through the action of U25-4,5,6. This action doubles the width of the first dot of the character and allows nine bits of data to be extracted from an eight bit ROM. This dot repeat character mode is used for line drawing and large character sets.

4.21.4 Dot shift characters are indicated by U31-5 going high. U34-19 then determines whether normal mode, or dot shift mode will be invoked. A low value at U34-19 indicates that dot shift should be performed. When a high value is present, U31-8 remains high during the entire character time, and dots are shifted out with standard display clock timing. A low value at U34-19 causes U31-8 to switch states and the clock to U44 is inverted "on the run". This delays the dot stream output of U44 by one half clock time and creates an effective dot shift.

#### 4.22 DISPLAY TEST GENERATOR

- 4.22.1 U31 (FF#1) allows the generation of display test patterns through the switches labeled "DT" and "U3". The normal operating state of "DT" is closed, and when opened, causes display test patterns to be displayed on the CRT according to the position of "U3". If "U3" is open, a full screen crosshatch pattern will be displayed. If "U3" is closed, the screen will display both @'s and del's.
- 4.22.2 Note that the @/del pattern is dependent upon the current display and varies with odd/even ASCII input. That is, even ASCII characters are replaced by @'s and odd ASCII characters are replaced by del's. Because of this constraint, the best display test pattern is achieved with a self test pattern resident on the CRT, where odd and even ASCII alternates automatically.
- 4.22.3 Note also that these display test patterns do not destroy the original CRT display which is totally recoverable by closing "DT". The display must be "on" (i.e. 69-6 must be high) in order for display test to be seen.

#### 4.23 DOT STRETCHER

- 4.23.1 The purpose of the dot stretching transistor circuit (Q1, C2, R7, and R5) is to introduce a variable delay into the alpha and graphics video bit stream. This is a lopsided delay, causing only the "low" time at U212-4 to be lengthened according to the RC time constant. The pot in this circuit should be set so that single dot wide vertical lines appear as wide and as bright as single raster horizontal lines.



#### 4.24 FINAL VIDEO SUMMING CIRCUITRY

- 4.24.1 The discrete logic used in the final video summing circuitry takes all pertinent video information as input and creates a single VIDEO (P4-1) output. The inputs to this circuit include the character blink rate (U72-8), cursor blink rate (U71-14), cursor extend pulse (U112-4), alpha and graphics video (U212-16), the enhancement enable signals (U312-2,5,10,12), blanking (U612-3), and one or two others. These signals are logically combined to emulate the video construction techniques of the original 264X display module.
- 4.24.2 A switch has been provided ("IV") that, when closed, causes a full screen inverse video pattern to be displayed on the CRT.
- 4.24.3 The discrete delay introduced by Q2, C3, R9 and R10 allows the half-bright and inverse video fields to be aligned properly. As of Rev. A boards, the alignment has been correct for all possible pot positions and only slightly noticeable effects occur when the pot is changed from min to max.

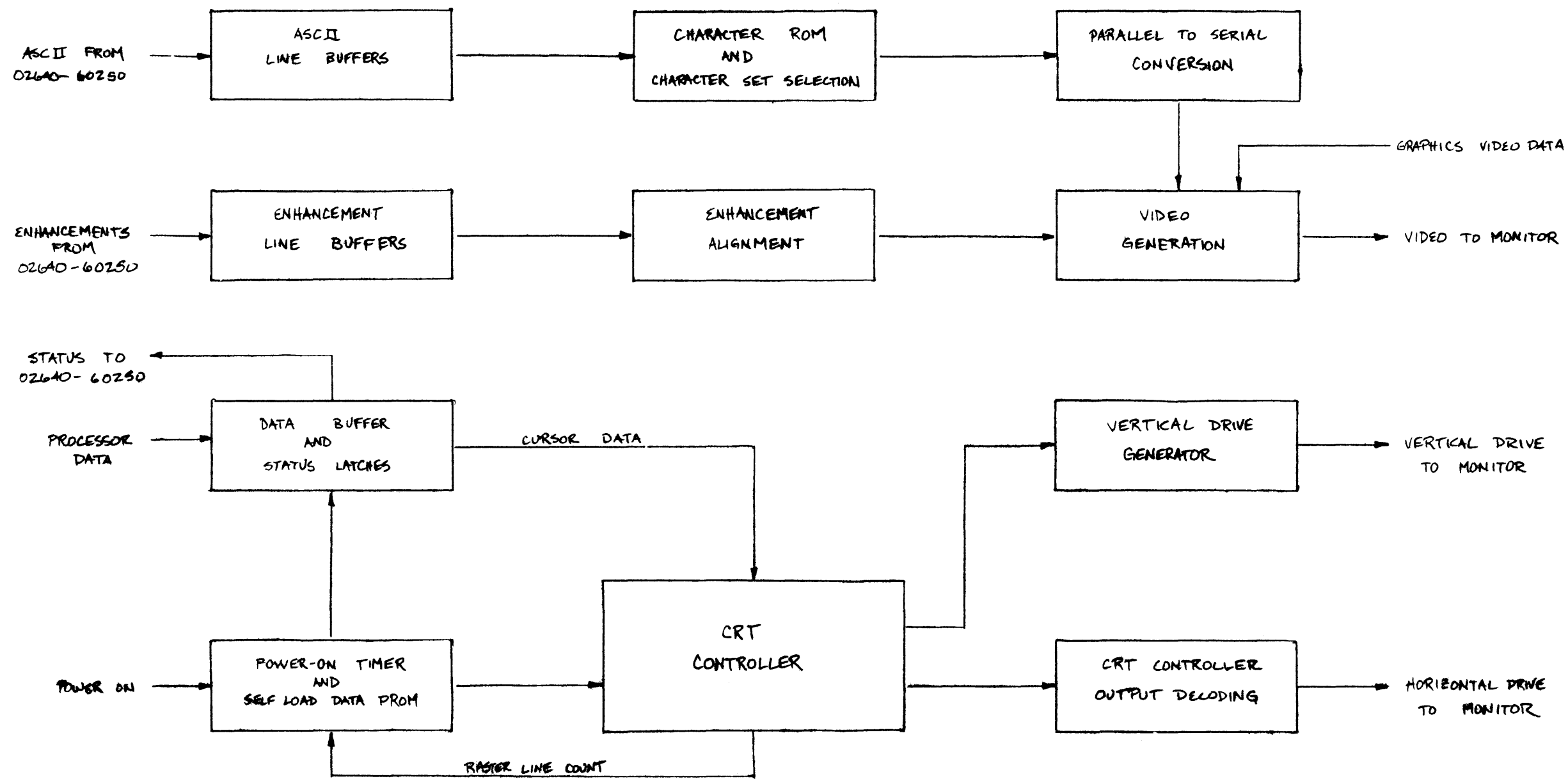


FIGURE 1  
 02640-60267 BLOCK DIAGRAM  
 FEB-01-82 13255-91267

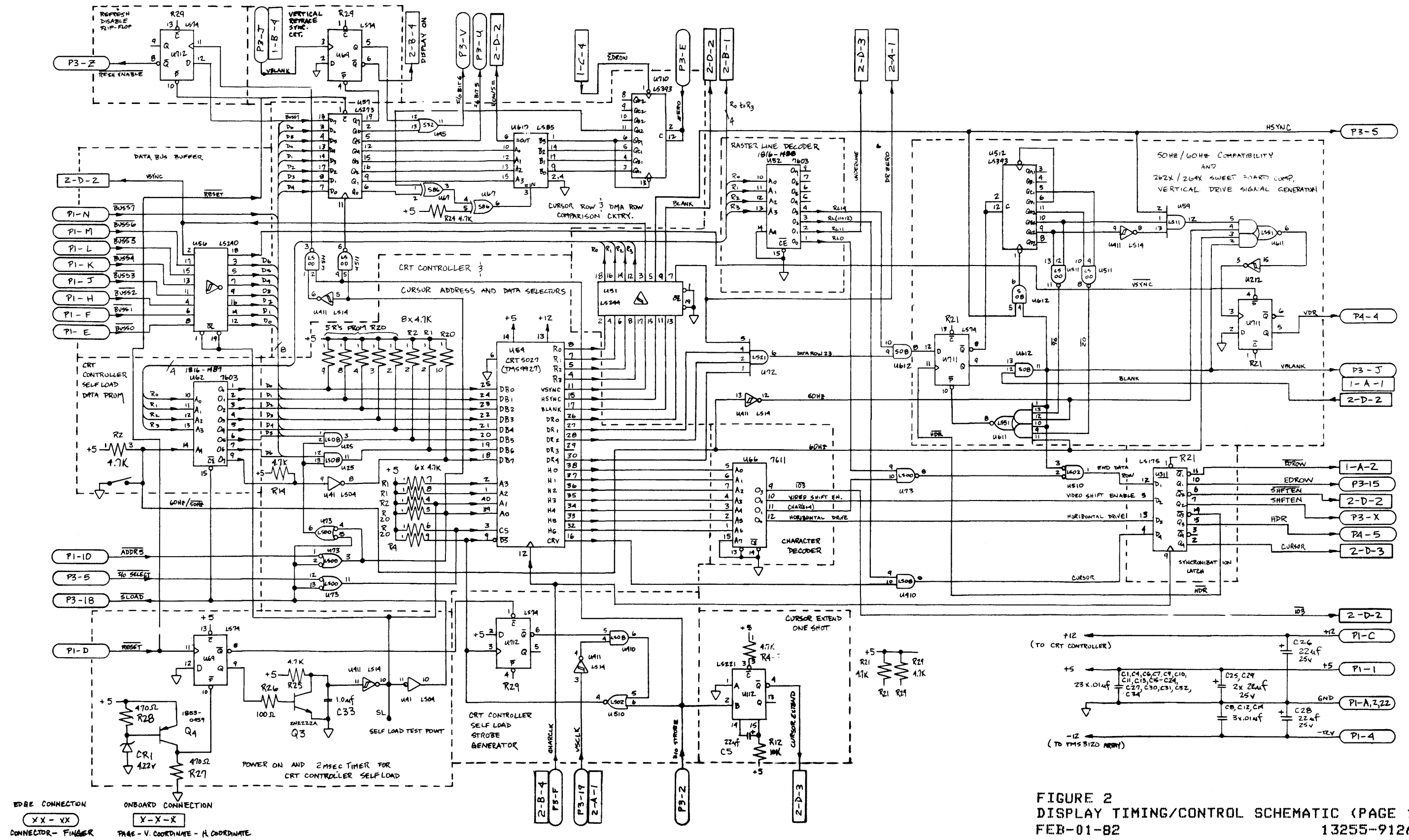


FIGURE 2  
 DISPLAY TIMING/CONTROL SCHEMATIC (PAGE 1)  
 FEB-01-82 13255-91267

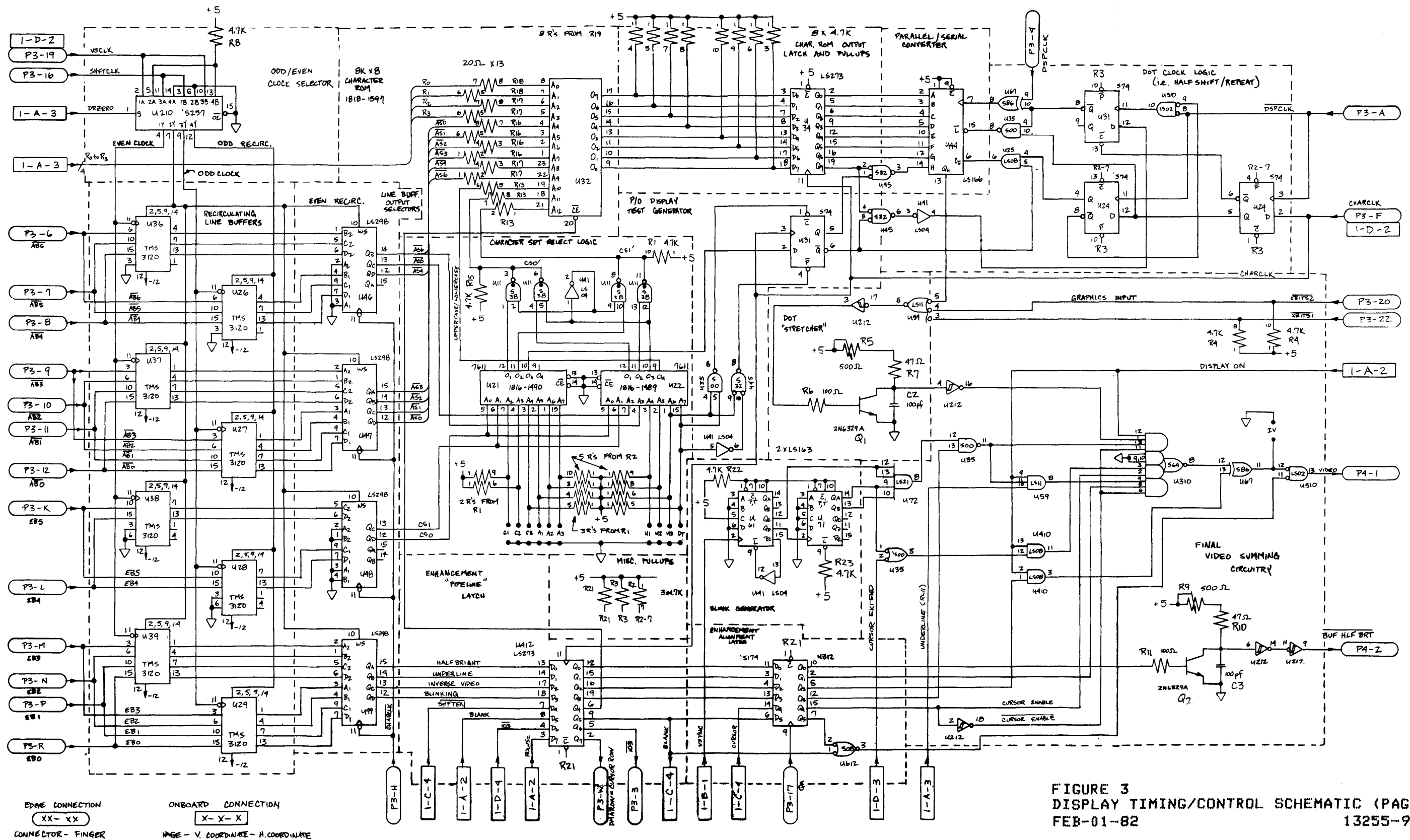


FIGURE 3  
 DISPLAY TIMING/CONTROL SCHEMATIC (PAGE 2)  
 FEB-01-82 13255-91267

EDGE CONNECTION XX-XX  
 ONBOARD CONNECTION X-X-X  
 CONNECTOR - FINGER PAGE - V. COORDINATE - H. COORDINATE

POWER-ON CRT CONTROLLER SELF LOAD

- I. U69-9 IS ALWAYS PRESET AT POWER ON.
- II. THE FIRST RISING EDGE OF PI-D CAUSES SLOAD TO BEGIN ITS TIMEOUT (~ 2mSEC) AND STOPS THE PROPOGATION OF  $\overline{DS}$  THROUGH TO THE CRT CONTROLLER
- III. WHEN SLOAD CHANGES STATE FROM HIGH TO LOW, THE CRT CONTROLLER CHANGES FROM SELF LOAD MODE TO DRIVE SIGNAL GENERATION MODE. THIS IS INDICATED BY THE RESETTING OF THE RASTER LINE COUNTER BITS R0 TO R3.

NOTE: R0 TO R3 COUNT 0 TO 15 IN SELF LOAD MODE AND 0 TO 14 IN SIGNAL GENERATION MODE.

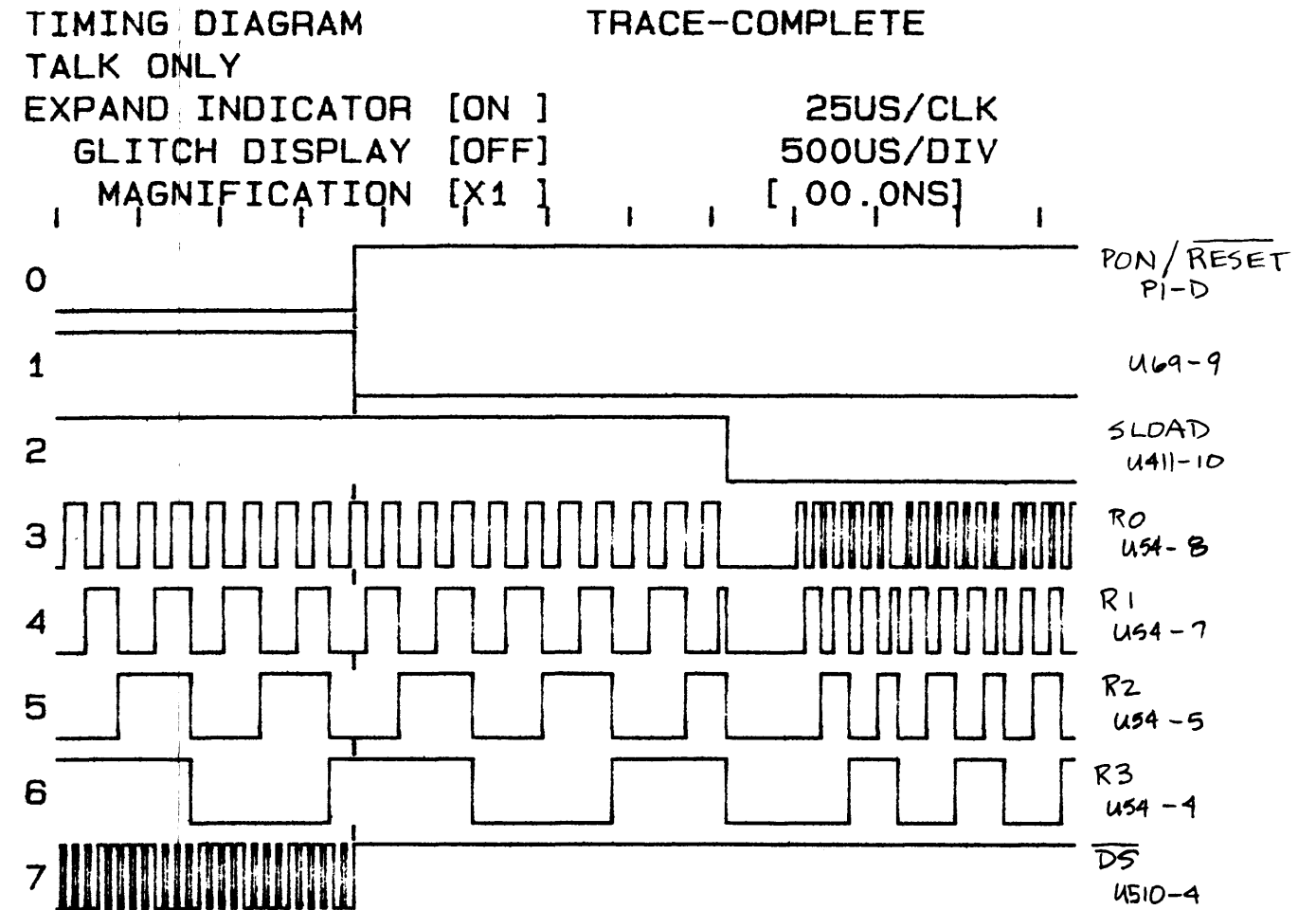


FIGURE 4  
POWER-ON CRT CONTROLLER SELF-LOAD  
FEB-01-82 13255-91267

CURSOR CONTROL TIMING (MACROSCOPIC)

- I. THIS DIAGRAM DISPLAYS TWO CURSOR CONTROL I/O WRITES. THE FIRST IS CURSOR ROW; THE SECOND IS CURSOR COLUMN.
- II. NOTE THAT THE CURSOR EXTEND PULSE IS CLOSE TO 1/2 SECOND IN DURATION AND DOES RETURN TO A HIGH STATE WHEN U11Z TIMES OUT.

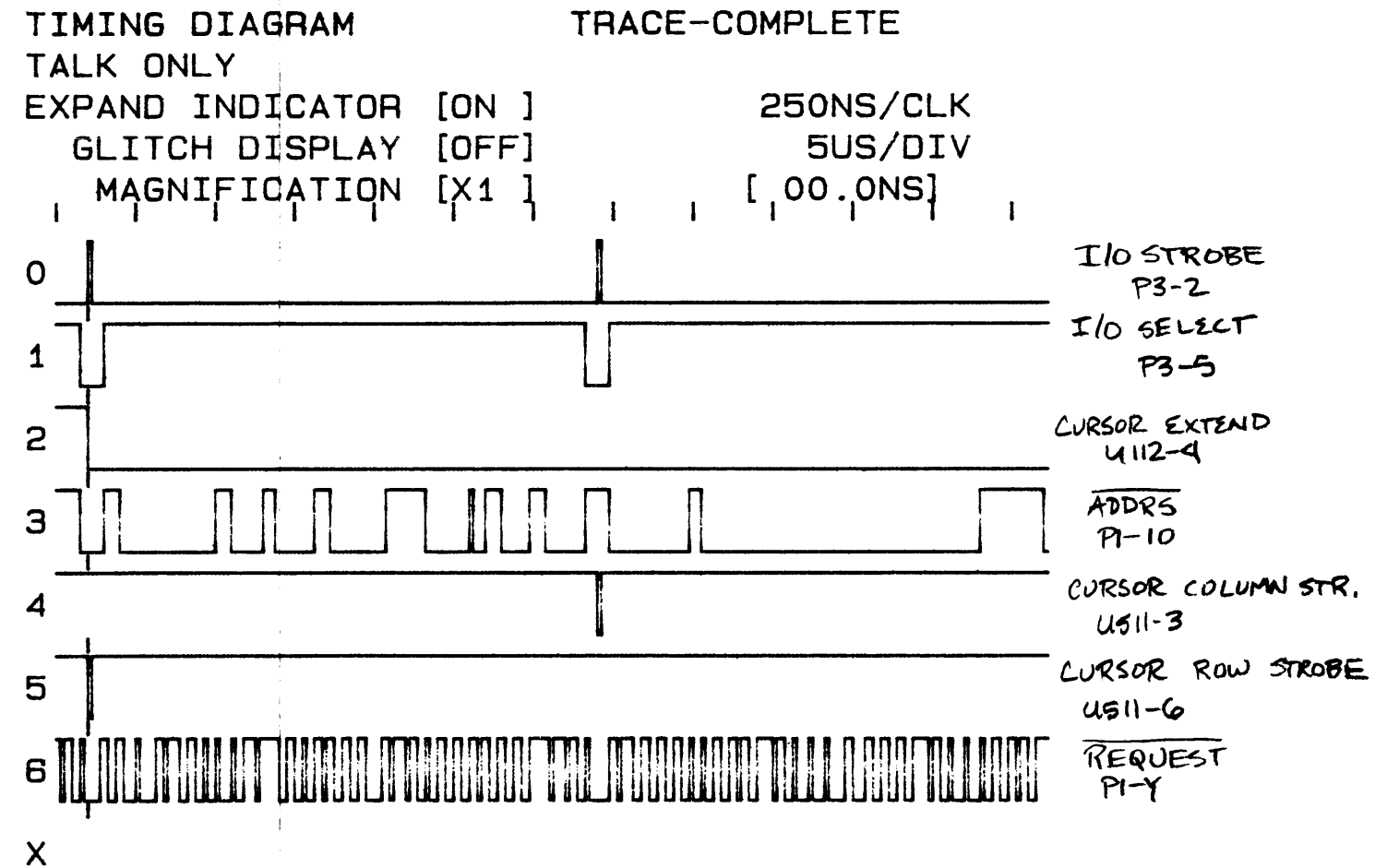


FIGURE 5  
CURSOR CONTROL TIMING (A)  
FEB-01-82                      13255-91267

CURSOR CONTROL TIMING (MICROSCOPIC)

I. I/O SELECT IS A FUNCTION OF ADDRESSING ON THE DISPLAY MEMORY /DMA MODULE

II. I/O STROBE LATCHES CURSOR INFO INTERNALLY IN THE CRT CONTROLLER, STARTS THE CURSOR EXTEND PULSE, AND CREATES A CURSOR COLUMN OR CURSOR ROW STROBE, DEPENDING ON THE PRESENT STATE OF ADDR5.

ADDR5 = 0 ⇒ CURSOR ROW

ADDR5 = 1 ⇒ CURSOR COLUMN

III. NOTE THAT THE PROCESSOR REQUEST CYCLE IS SLIGHTLY LENGTHENED DUE TO WAIT STATES CAUSED BY THE DISPLAY MEMORY /DMA MODULE

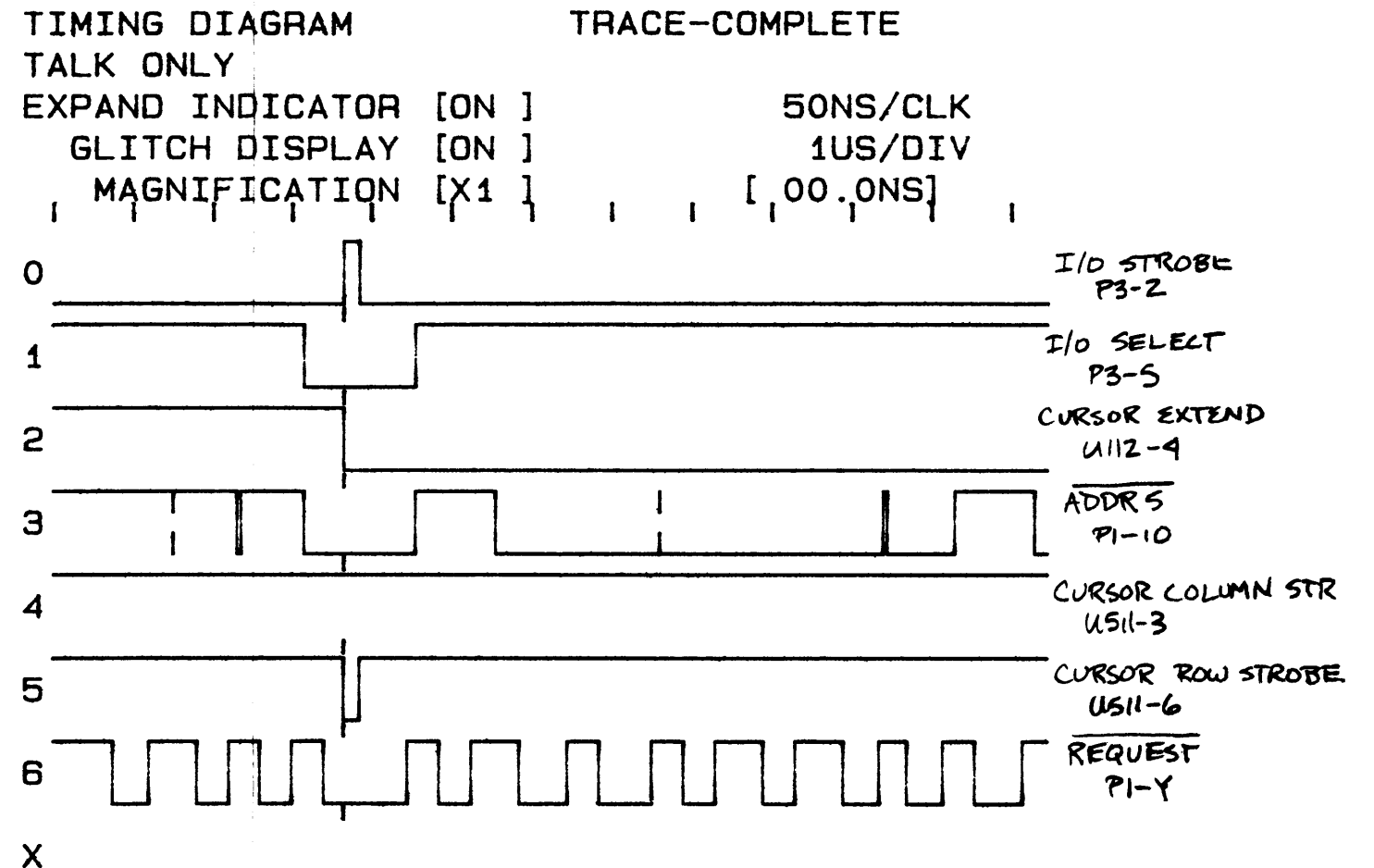


FIGURE 6  
 CURSOR CONTROL TIMING (B)  
 FEB-01-82 13255-91267

60 HZ VERTICAL RETRACE

- I. THE RISING EDGE OF VBLANK STARTS VDR LOW.
- II. THE FALLING EDGE OF  $\overline{\text{VSYNC}}$  RESETS VDR HIGH.
- III. VBLANK STARTS AS A CONSEQUENCE OF THE LAST SCAN LINE OF FORETRACE.
- IV. VBLANK STOPS AS A CONSEQUENCE OF  $\overline{\text{ZD}}$  (i.e.  $\overline{\text{ZD}}$  GOES LOW DURING THE TWENTIETH SCAN LINE OF VERTICAL RETRACE)

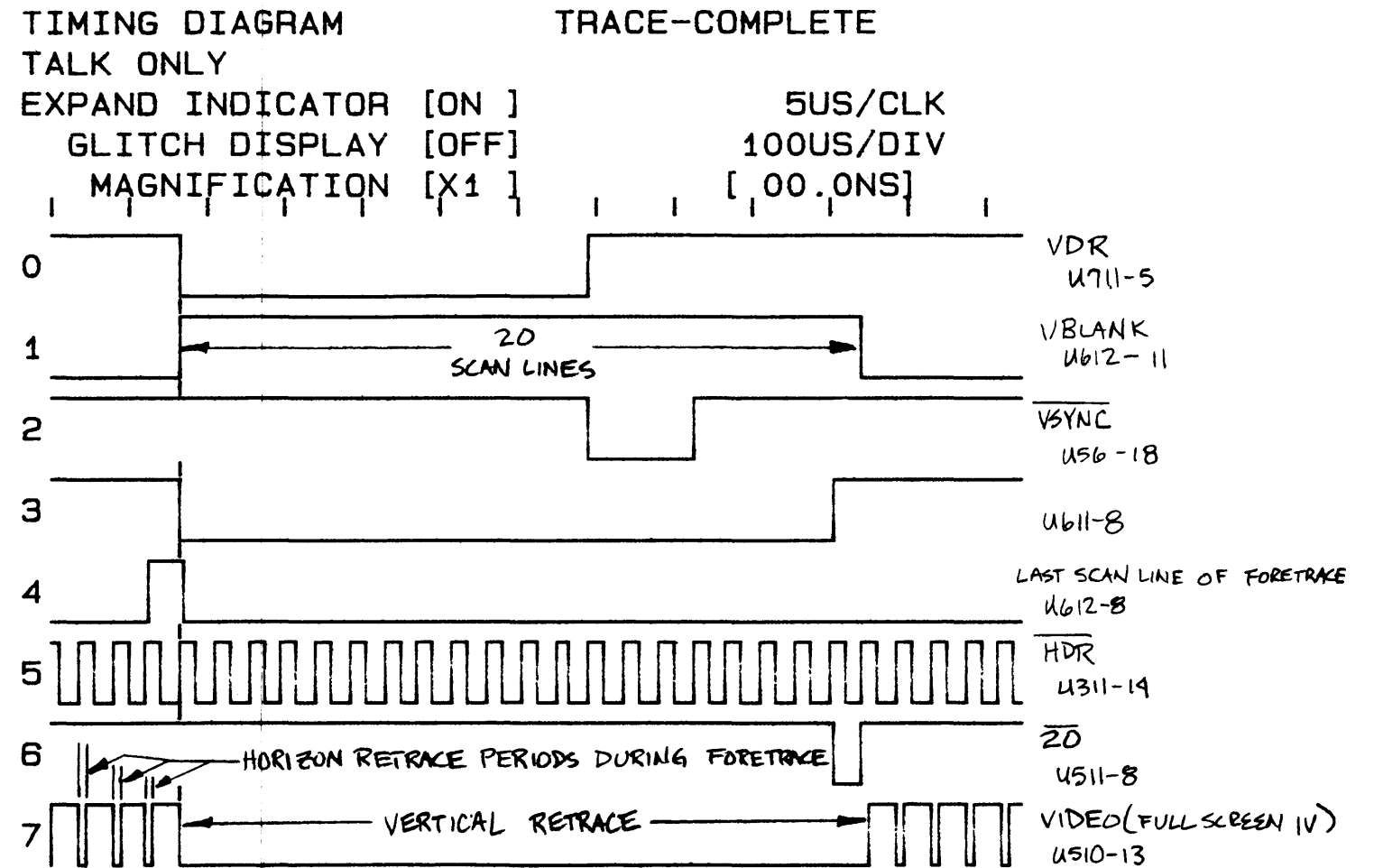


FIGURE 7  
 60 HZ VERTICAL RETRACE  
 FEB-01-82 13255-91267



50 HZ VERTICAL RETRACE

- I. VDR GOES LOW AS A RESULT OF THE THIRTYSECOND SCAN LINE OF VERTICAL RETRACE (NOT SHOWN).
- II. THE FALLING EDGE OF  $\overline{\text{VSYNC}}$  RESETS VDR HIGH.
- III. VBLANK STARTS AS A CONSEQUENCE OF THE LAST SCAN LINE OF FORETRACE.
- IV. VBLANK STOPS AS A CONSEQUENCE OF  $\overline{\text{q6}}$  (i.e.  $\overline{\text{q6}}$  GOES LOW DURING THE NINETY SIXTH SCAN LINE OF VERTICAL RETRACE).

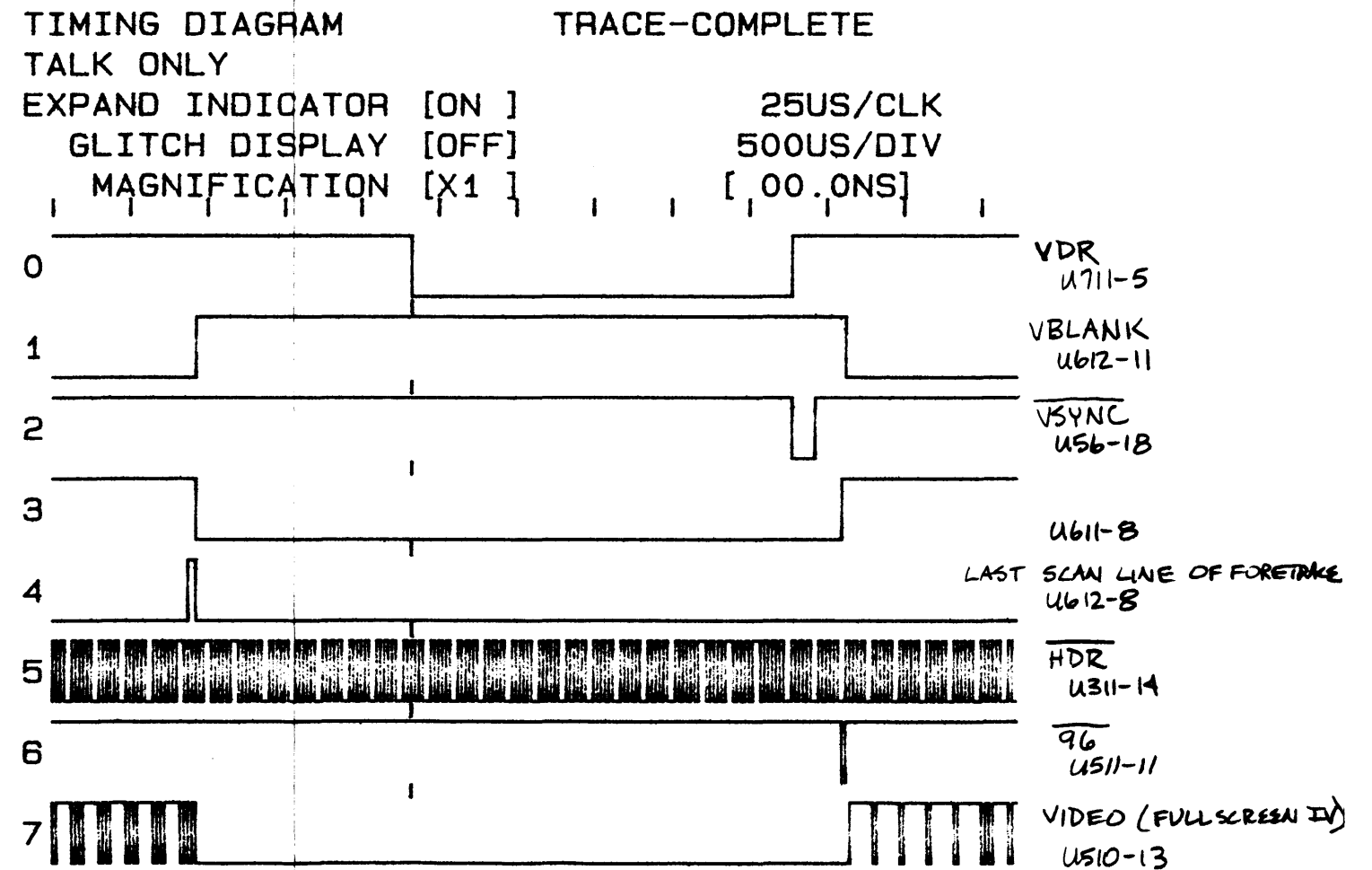
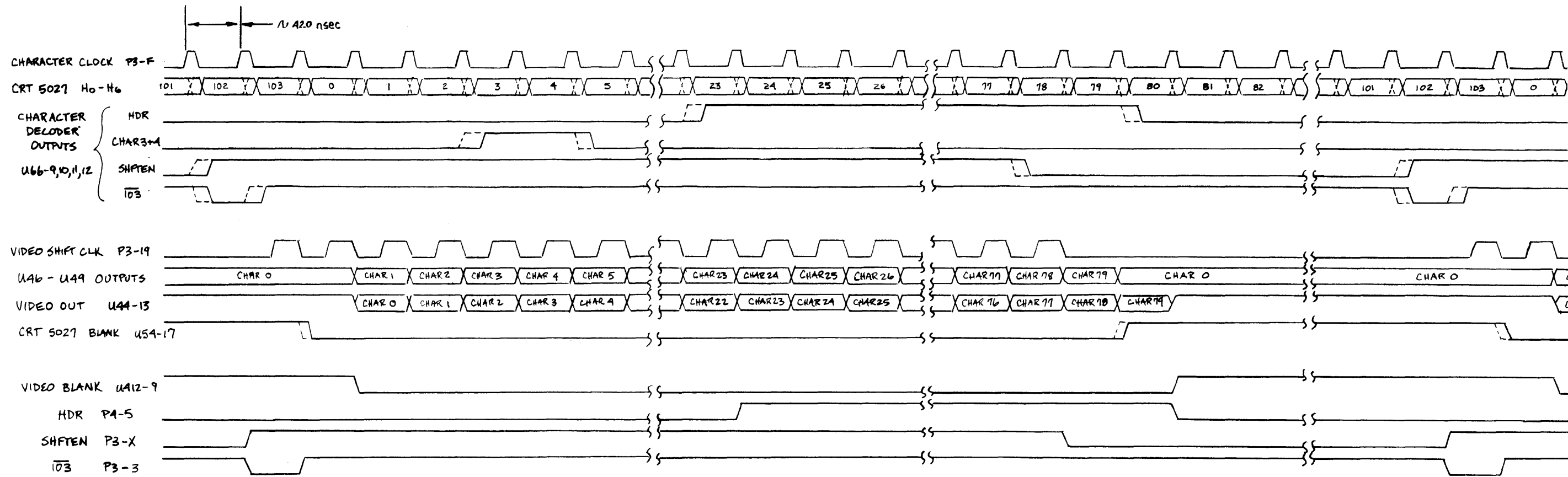
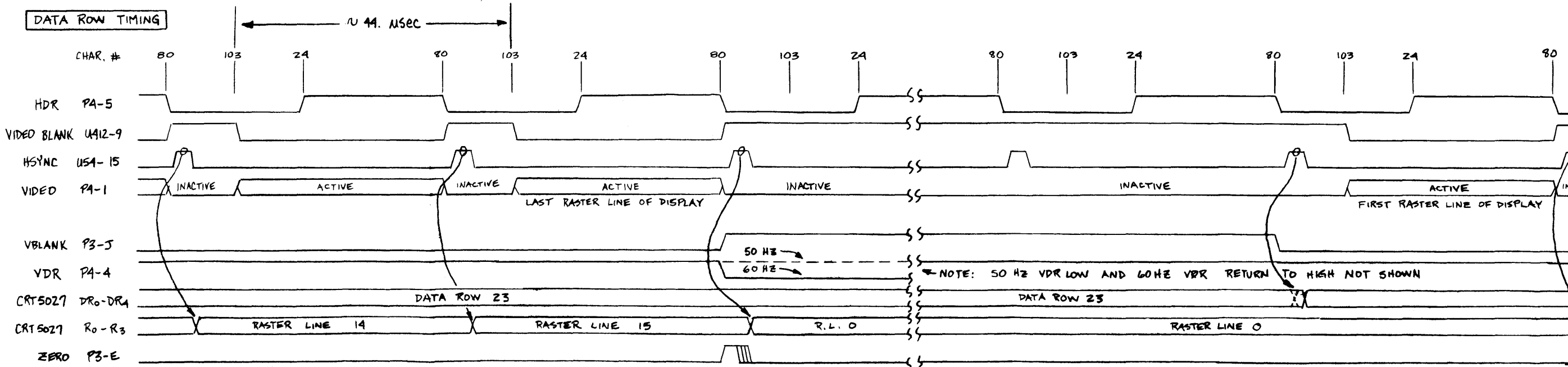


FIGURE 8  
 50 HZ VERTICAL RETRACE  
 FEB-01-82 13255-91267

**SCAN LINE TIMING**



**DATA ROW TIMING**



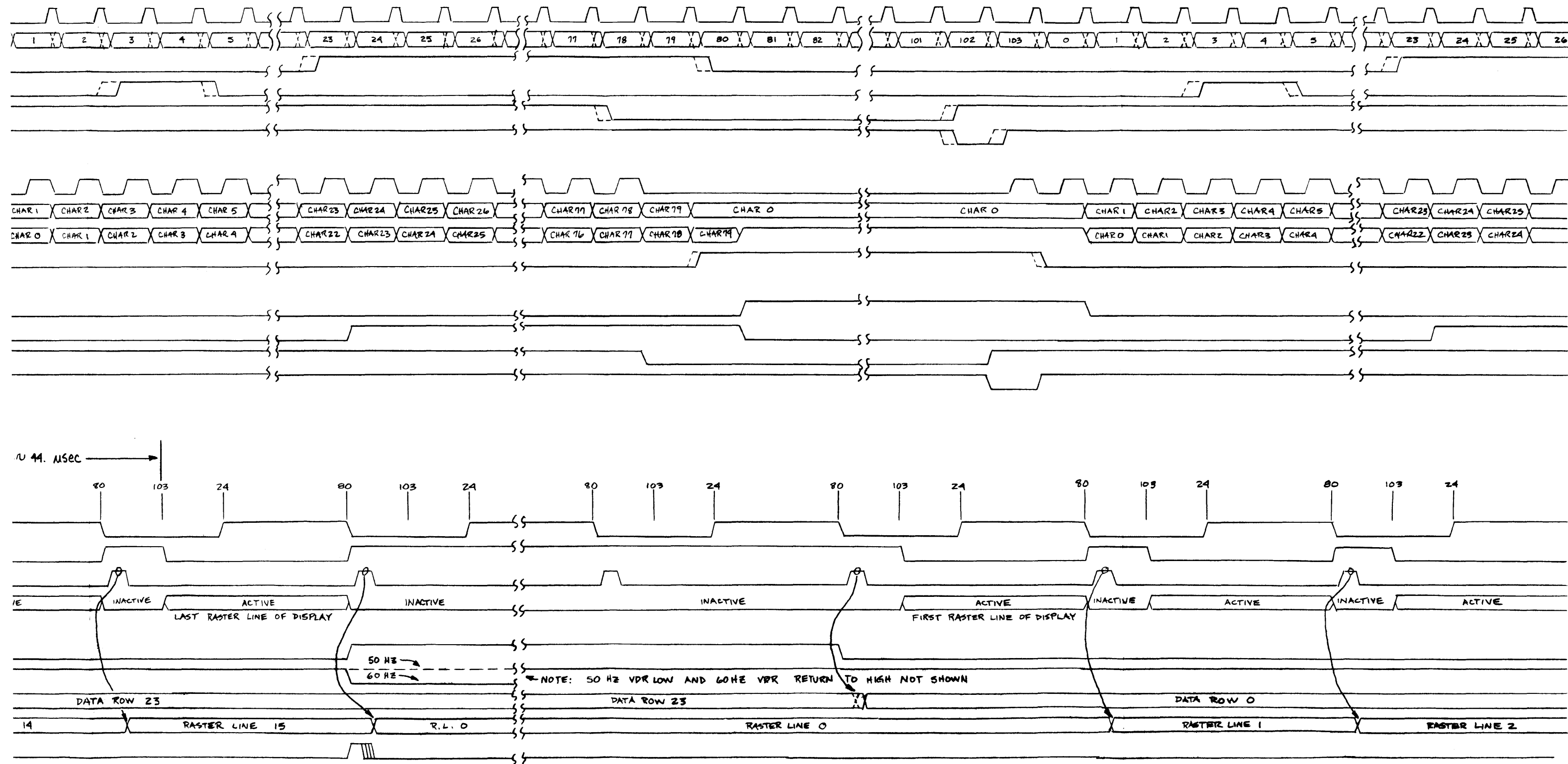
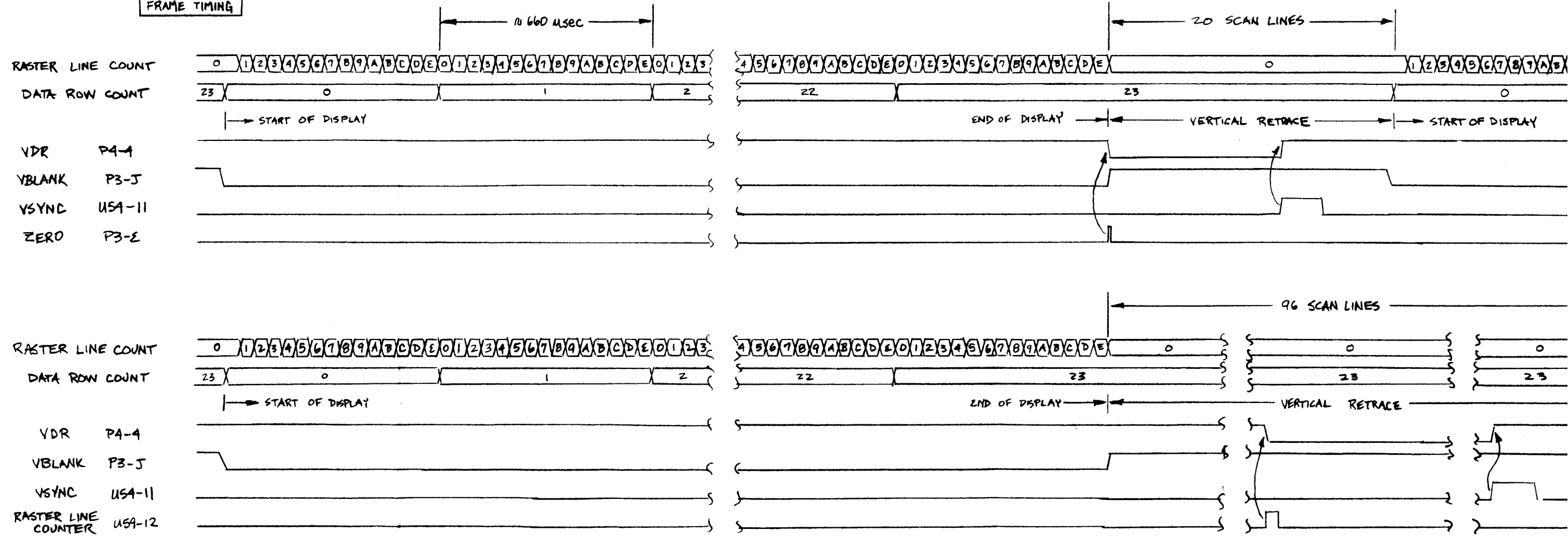


FIGURE 9  
 SCAN LINE AND DATA ROW TIMING  
 FEB-01-82 13255-91267

**FRAME TIMING**



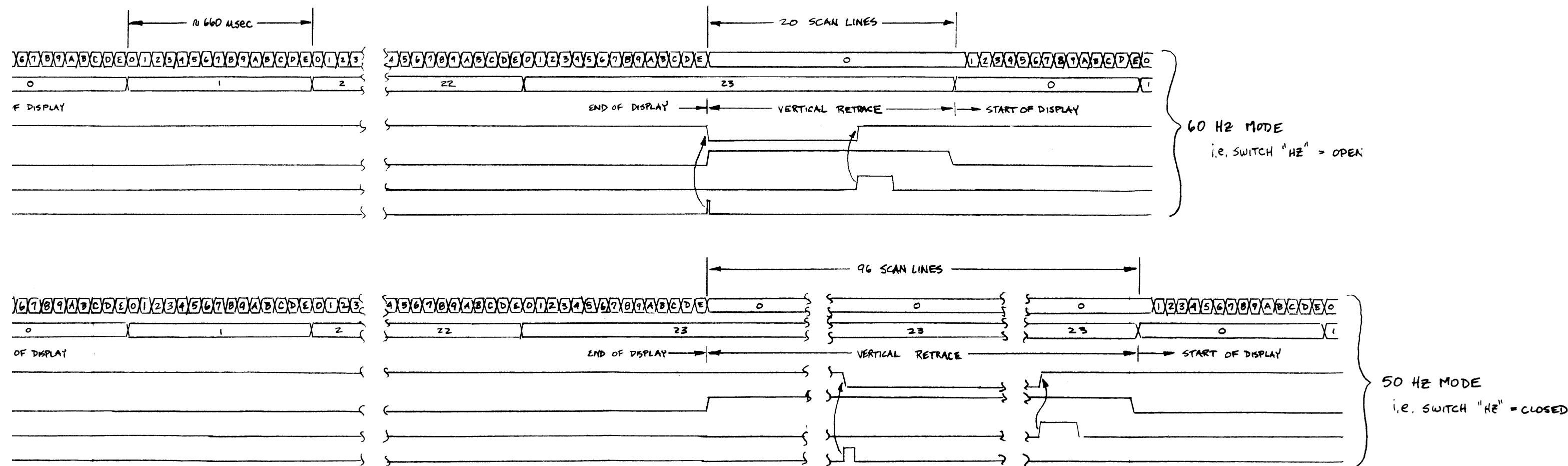


FIGURE 10  
 FRAME TIMING  
 FEB-01-82 13255-91267

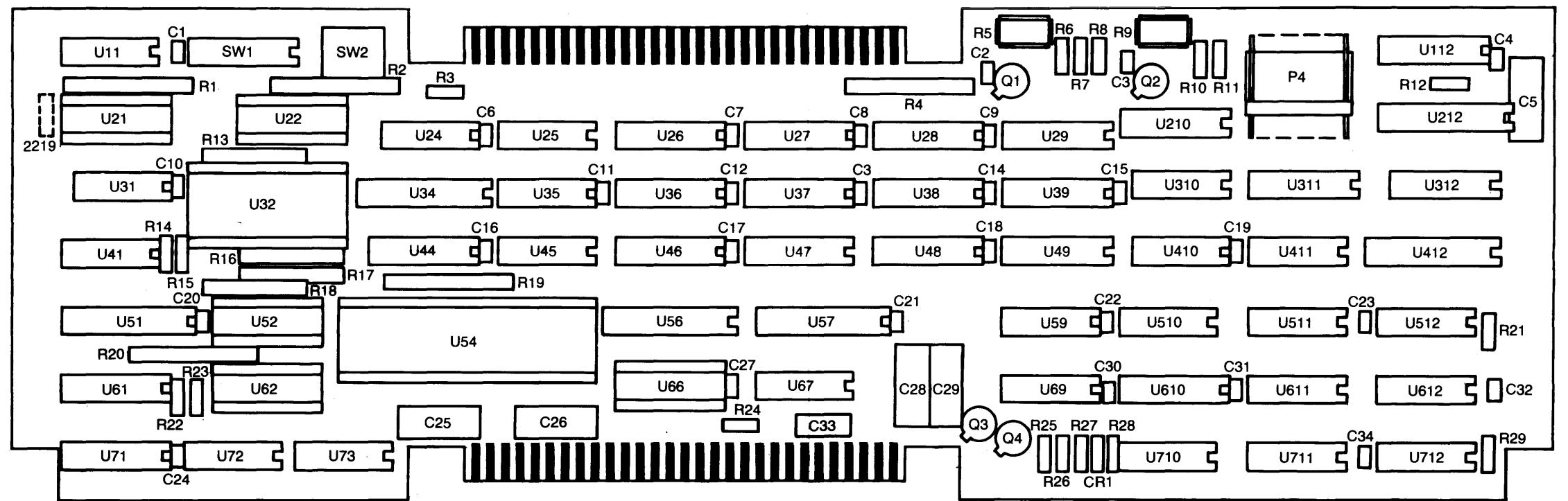


FIGURE 11  
 COMPONENT LOCATION DIAGRAM  
 FEB-01-82 13255-91267

### Replaceable Parts

Reference Designation	HP Part Number	C D	Qty	Description	Mfr Code	Mfr Part Number
	02640-60267	1	1	DISPLAY/TIMING/CONTROL PCA DATE CODE: B-2219-42	28480	02640-60267
C1	0160-4554	7	26	CAPACITOR-FXD .01UF +-20% 50VDC CER	28480	0160-4554
C2	0160-4801	7	2	CAPACITOR-FXD 100PF +-5% 100VDC CER	28480	0160-4801
C3	0160-4801	7		CAPACITOR-FXD 100PF +-5% 100VDC CER	28480	0160-4801
C4	0160-4554	7		CAPACITOR-FXD .01UF +-20% 50VDC CER	28480	0160-4554
C5	0180-2879	7	5	CAPACITOR-FXD 22UF+50-10% 25VDC AL	28480	0180-2879
C6	0160-4554	7		CAPACITOR-FXD .01UF +-20% 50VDC CER	28480	0160-4554
C7	0160-4554	7		CAPACITOR-FXD .01UF +-20% 50VDC CER	28480	0160-4554
C8	0160-4554	7		CAPACITOR-FXD .01UF +-20% 50VDC CER	28480	0160-4554
C9	0160-4554	7		CAPACITOR-FXD .01UF +-20% 50VDC CER	28480	0160-4554
C10	0160-4554	7		CAPACITOR-FXD .01UF +-20% 50VDC CER	28480	0160-4554
C11	0160-4554	7		CAPACITOR-FXD .01UF +-20% 50VDC CER	28480	0160-4554
C12	0160-4554	7		CAPACITOR-FXD .01UF +-20% 50VDC CER	28480	0160-4554
C13	0160-4554	7		CAPACITOR-FXD .01UF +-20% 50VDC CER	28480	0160-4554
C14	0160-4554	7		CAPACITOR-FXD .01UF +-20% 50VDC CER	28480	0160-4554
C15	0160-4554	7		CAPACITOR-FXD .01UF +-20% 50VDC CER	28480	0160-4554
C16	0160-4554	7		CAPACITOR-FXD .01UF +-20% 50VDC CER	28480	0160-4554
C17	0160-4554	7		CAPACITOR-FXD .01UF +-20% 50VDC CER	28480	0160-4554
C18	0160-4554	7		CAPACITOR-FXD .01UF +-20% 50VDC CER	28480	0160-4554
C19	0160-4554	7		CAPACITOR-FXD .01UF +-20% 50VDC CER	28480	0160-4554
C20	0160-4554	7		CAPACITOR-FXD .01UF +-20% 50VDC CER	28480	0160-4554
C21	0160-4554	7		CAPACITOR-FXD .01UF +-20% 50VDC CER	28480	0160-4554
C22	0160-4554	7		CAPACITOR-FXD .01UF +-20% 50VDC CER	28480	0160-4554
C23	0160-4554	7		CAPACITOR-FXD .01UF +-20% 50VDC CER	28480	0160-4554
C24	0160-4554	7		CAPACITOR-FXD .01UF +-20% 50VDC CER	28480	0160-4554
C25	0180-2879	7		CAPACITOR-FXD 22UF+50-10% 25VDC AL	28480	0180-2879
C26	0180-2879	7		CAPACITOR-FXD 22UF+50-10% 25VDC AL	28480	0180-2879
C27	0160-4554	7		CAPACITOR-FXD .01UF +-20% 50VDC CER	28480	0160-4554
C28	0180-2879	7		CAPACITOR-FXD 22UF+50-10% 25VDC AL	28480	0180-2879
C29	0180-2879	7		CAPACITOR-FXD 22UF+50-10% 25VDC AL	28480	0180-2879
C30	0160-4554	7		CAPACITOR-FXD .01UF +-20% 50VDC CER	28480	0160-4554
C31	0160-4554	7		CAPACITOR-FXD .01UF +-20% 50VDC CER	28480	0160-4554
C32	0160-4554	7		CAPACITOR-FXD .01UF +-20% 50VDC CER	28480	0160-4554
C33	0160-4844	8	1	CAPACITOR-FXD 1UF +80-20% 50VDC CER	28480	0160-4844
C34	0160-4554	7		CAPACITOR-FXD .01UF +-20% 50VDC CER	28480	0160-4554
CR1	1902-3070	5	1	DIODE-ZNR 4.22V 5% D0-35 PD=.4W	28480	1902-3070
P4	1251-3766	5	1	CONNECTOR 6-PIN M POST TYPE	28480	1251-3766
Q1	1854-0019	3	2	TRANSISTOR NPN SI T0-18 PD=360MW	28480	1854-0019
Q2	1854-0019	3		TRANSISTOR NPN SI T0-18 PD=360MW	28480	1854-0019
Q3	1854-0477	7	1	TRANSISTOR NPN 2N2222A SI T0-18 PD=500MW	04713	2N2222A
Q4	1853-0459	3	1	TRANSISTOR PNP SI PD=625MW FT=200MHZ	28480	1853-0459
R1	1810-0279	5	5	NETWORK-RES 10-SIP4.7K OHM X 9	01121	210A472
R2	1810-0279	5		NETWORK-RES 10-SIP4.7K OHM X 9	01121	210A472
R3	0683-4725	2	10	RESISTOR 4.7K 5% .25W FC TC=-400/+700	01121	CB4725
R4	1810-0279	5		NETWORK-RES 10-SIP4.7K OHM X 9	01121	210A472
R5	2100-3351	6	2	RESISTOR-TRMR 500 10% C SIDE-ADJ 1-TRN	28480	2100-3351
R6	0683-1015	7	3	RESISTOR 100 5% .25W FC TC=-400/+500	01121	CB1015
R7	0683-4705	8	2	RESISTOR 47 5% .25W FC TC=-400/+500	01121	CB4705
R8	0683-4725	2		RESISTOR 4.7K 5% .25W FC TC=-400/+700	01121	CB4725
R9	2100-3351	6		RESISTOR-TRMR 500 10% C SIDE-ADJ 1-TRN	28480	2100-3351
R10	0683-4705	8		RESISTOR 47 5% .25W FC TC=-400/+500	01121	CB4705
R11	0683-1015	7		RESISTOR 100 5% .25W FC TC=-400/+500	01121	CB1015
R12	0683-1035	1	1	RESISTOR 10K 5% .25W FC TC=-400/+700	01121	CB1035
R13	1810-0322	9	4	NETWORK-RES 8-SIP20.0 OHM X 4	01121	408B200J
R14	0683-4725	2		RESISTOR 4.7K 5% .25W FC TC=-400/+700	01121	CB4725
R15	0683-4725	2		RESISTOR 4.7K 5% .25W FC TC=-400/+700	01121	CB4725
R16	1810-0322	9		NETWORK-RES 8-SIP20.0 OHM X 4	01121	408B200J
R17	1810-0322	9		NETWORK-RES 8-SIP20.0 OHM X 4	01121	408B200J
R18	1810-0322	9		NETWORK-RES 8-SIP20.0 OHM X 4	01121	408B200J
R19	1810-0279	5		NETWORK-RES 10-SIP4.7K OHM X 9	01121	210A472
R20	1810-0279	5		NETWORK-RES 10-SIP4.7K OHM X 9	01121	210A472
R21	0683-4725	2		RESISTOR 4.7K 5% .25W FC TC=-400/+700	01121	CB4725
R22	0683-4725	2		RESISTOR 4.7K 5% .25W FC TC=-400/+700	01121	CB4725
R23	0683-4725	2		RESISTOR 4.7K 5% .25W FC TC=-400/+700	01121	CB4725
R24	0683-4725	2		RESISTOR 4.7K 5% .25W FC TC=-400/+700	01121	CB4725
R25	0683-4725	2		RESISTOR 4.7K 5% .25W FC TC=-400/+700	01121	CB4725
R26	0683-1015	7		RESISTOR 100 5% .25W FC TC=-400/+500	01121	CB1015
R27	0683-4715	0	2	RESISTOR 470 5% .25W FC TC=-400/+600	01121	CB4715
R28	0683-4715	0		RESISTOR 470 5% .25W FC TC=-400/+600	01121	CB4715
R29	0683-4725	2		RESISTOR 4.7K 5% .25W FC TC=-400/+700	01121	CB4725
SW1	3101-1983	9	1	SWITCH-RKR DIP-RKR-ASSY B-1A .05A 30VDC	28480	3101-1983
SW2	3101-2063	8	1	SWITCH-RKR DIP-RKR-ASSY A-1A .05A 30VDC	28480	3101-2063

### Replaceable Parts

Reference Designation	HP Part Number	C D	Qty	Description	Mfr Code	Mfr Part Number
TP1	0360-0535	0	2	TERMINAL TEST POINT PCB	00000	ORDER BY DESCRIPTION
TP2	0360-0535	0		TERMINAL TEST POINT PCB	00000	ORDER BY DESCRIPTION
U11	1820-1451	8	1	IC GATE TTL S NAND QUAD 2-INP	01295	SN74S38N
U21	1816-1490	6	1	IC-ROM 256 X 4 HM7611	34371	HM3-7611A-5 PROGRAMMED
U22	1816-1489	3	1	IC-ROM 256 X 4 HM7611	34371	HM3-7611A-5 PROGRAMMED
U24	1820-0693	8	2	IC FF TTL S D-TYPE POS-EDGE-TRIG	01295	SN74S74N
U25	1820-1201	6	2	IC GATE TTL LS AND QUAD 2-INP	01295	SN74LS08N
U26	1820-1346	0	8	IC SHF-RGTR PMOS SERIAL-IN SERIAL-OUT	01295	TMS3120NC
U27	1820-1346	0		IC SHF-RGTR PMOS SERIAL-IN SERIAL-OUT	01295	TMS3120NC
U28	1820-1346	0		IC SHF-RGTR PMOS SERIAL-IN SERIAL-OUT	01295	TMS3120NC
U29	1820-1346	0		IC SHF-RGTR PMOS SERIAL-IN SERIAL-OUT	01295	TMS3120NC
U31	1820-0693	8		IC FF TTL S D-TYPE POS-EDGE-TRIG	01295	SN74S74N
U32	1818-1597	8	1	IC-ROM 64K MK36000	50088	MK36000N-5 MASKED
U34	1820-1730	6	3	IC FF TTL LS D-TYPE POS-EDGE-TRIG COM	01295	SN74LS273N
U35	1820-0681	4	1	IC GATE TTL S NAND QUAD 2-INP	01295	SN74S00N
U36	1820-1346	0		IC SHF-RGTR PMOS SERIAL-IN SERIAL-OUT	01295	TMS3120NC
U37	1820-1346	0		IC SHF-RGTR PMOS SERIAL-IN SERIAL-OUT	01295	TMS3120NC
U38	1820-1346	0		IC SHF-RGTR PMOS SERIAL-IN SERIAL-OUT	01295	TMS3120NC
U39	1820-1346	0		IC SHF-RGTR PMOS SERIAL-IN SERIAL-OUT	01295	TMS3120NC
U41	1820-1199	1	1	IC INV TTL LS HEX 1-INP	01295	SN74LS04N
U44	1820-1922	8	1	IC SHF-RGTR TTL LS PRL-IN SERIAL-OUT	01295	SN74LS166N
U45	1820-1449	4	1	IC GATE TTL S OR QUAD 2-INP	01295	SN74S32N
U46	1820-1444	9	4	IC MUXR/DATA-SEL TTL LS 2-TO-1-LINE QUAD	01295	SN74LS298N
U47	1820-1444	9		IC MUXR/DATA-SEL TTL LS 2-TO-1-LINE QUAD	01295	SN74LS298N
U48	1820-1444	9		IC MUXR/DATA-SEL TTL LS 2-TO-1-LINE QUAD	01295	SN74LS298N
U49	1820-1444	9		IC MUXR/DATA-SEL TTL LS 2-TO-1-LINE QUAD	01295	SN74LS298N
U51	1820-2024	3	1	IC DRVR TTL LS LINE DRVR OCTL	01295	SN74LS244N
U52	1816-1488	2	1	IC-ROM 32 X 8 HM7603	01295	SN74S288N PROGRAMMED
U54	1820-2912	8	1	IC-9927JL	28480	1820-2912
U56	1820-1917	1	2	IC BFR TTL LS LINE DRVR OCTL	01295	SN74LS240N
U57	1820-1730	6	6	IC FF TTL LS D-TYPE POS-EDGE-TRIG COM	01295	SN74LS273N
U59	1820-1203	8	1	IC GATE TTL LS AND TPL 3-INP	01295	SN74LS11N
U61	1820-1432	5	2	IC CNTR TTL LS BIN SYNCHRO POS-EDGE-TRIG	01295	SN74LS163AN
U62	1816-1487	1	1	IC-ROM 32 X 8 HM7603	01295	SN74S288N PROGRAMMED
U66	1816-1483	7	1	IC-ROM 256 X 4 HM7611	34371	HM3-7611A-5 PROGRAMMED
U67	1820-0694	9	1	IC GATE TTL S EXCL-OR QUAD 2-INP	01295	SN74S86N
U69	1820-1112	8	3	IC FF TTL LS D-TYPE POS-EDGE-TRIG	01295	SN74LS74AN
U71	1820-1432	5		IC CNTR TTL LS BIN SYNCHRO POS-EDGE-TRIG	01295	SN74LS163AN
U72	1820-1205	0	1	IC GATE TTL LS AND DUAL 4-INP	01295	SN74LS21N
U73	1820-1197	9	2	IC GATE TTL LS NAND QUAD 2-INP	01295	SN74LS00N
U112	1820-1437	0	1	IC MV TTL LS MONOSTBL DUAL	01295	SN74LS221N
U210	1820-1301	7	1	IC MUXR/DATA-SEL TTL S 2-TO-1-LINE QUAD	01295	SN74S257N
U212	1820-1917	1		IC BFR TTL LS LINE DRVR OCTL	01295	SN74LS240N
U310	1820-0691	6	1	IC GATE TTL S AND-OR-INV	01295	SN74S64N
U311	1820-1195	7	1	IC FF TTL LS D-TYPE POS-EDGE-TRIG COM	01295	SN74LS175N
U312	1820-1076	3	1	IC FF TTL S D-TYPE POS-EDGE-TRIG CLEAR	01295	SN74S174N
U410	1820-1201	6		IC GATE TTL LS AND QUAD 2-INP	01295	SN74LS08N
U411	1820-1416	5	1	IC SCHMITT-TRIG TTL LS INV HEX 1-INP	01295	SN74LS14N
U412	1820-1730	6		IC FF TTL LS D-TYPE POS-EDGE-TRIG COM	01295	SN74LS273N
U510	1820-1144	6	1	IC GATE TTL LS NOR QUAD 2-INP	01295	SN74LS02N
U511	1820-1197	9		IC GATE TTL LS NAND QUAD 2-INP	01295	SN74LS00N
U512	1820-1989	7	2	IC CNTR TTL LS BIN DUAL 4-BIT	07263	74LS393PC
U610	1820-1419	8	1	IC COMPTR TTL LS MAGTD 4-BIT	01295	SN74LS85N
U611	1820-1210	7	1	IC GATE TTL LS AND-OR-INV DUAL 2-INP	01295	SN74LS51N
U612	1820-1367	5	1	IC GATE TTL S AND QUAD 2-INP	01295	SN74S08N
U710	1820-1989	7		IC CNTR TTL LS BIN DUAL 4-BIT	07263	74LS393PC
U711	1820-1112	8		IC FF TTL LS D-TYPE POS-EDGE-TRIG	01295	SN74LS74AN
U712	1820-1112	8		IC FF TTL LS D-TYPE POS-EDGE-TRIG	01295	SN74LS74AN
XU32	1200-0830	1	1	SOCKET-IC 24-CONT DIP DIP-SLDR	28480	1200-0830
XU54	1200-0552	4	1	SOCKET-IC 40-CONT DIP-SLDR	28480	1200-0552
				MISCELLANEOUS PART		
	8150-2333	3		WIRE-30 WHITE TFE	28480	8150-2333



MANUFACTURERS CODE LIST

AS OF 06/21/82

PAGE 1

MFR NO.	MANUFACTURER NAME	ADDRESS	ZIP CODE
80545	NIPPON ELECTRIC CO	TOKYO	JP
00000	ANY SATISFACTORY SUPPLIER		
01121	ALLEN-BRADLEY CO	MILWAUKEE	WI 53204
01295	TEXAS INSTR INC SEMICOND CHPNT DIV	DALLAS	TX 75222
04713	MOTOROLA SEMICONDUCTOR PRODUCTS	PHOENIX	AZ 85008
07263	FAIRCHILD SEMICONDUCTOR DIV	MOUNTAIN VIEW	CA 94042
16299	CORNING GLASS WKS COMPONENT DIV	RALEIGH	NC 27604
28480	HEWLETT-PACKARD CO CORPORATE HQ	PALO ALTO	CA 94304
34335	ADVANCED MICRO DEVICES INC	SUNNYVALE	CA 94086
34371	HARRIS SEMICON DIV HARRIS-INTERTYPE	MELBOURNE	FL 32901
50088	MOSTEK CORP	CARROLLTON	TX 75006