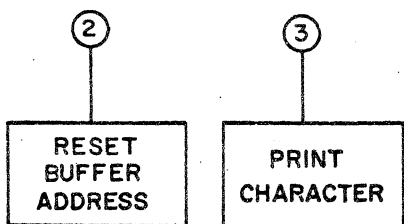
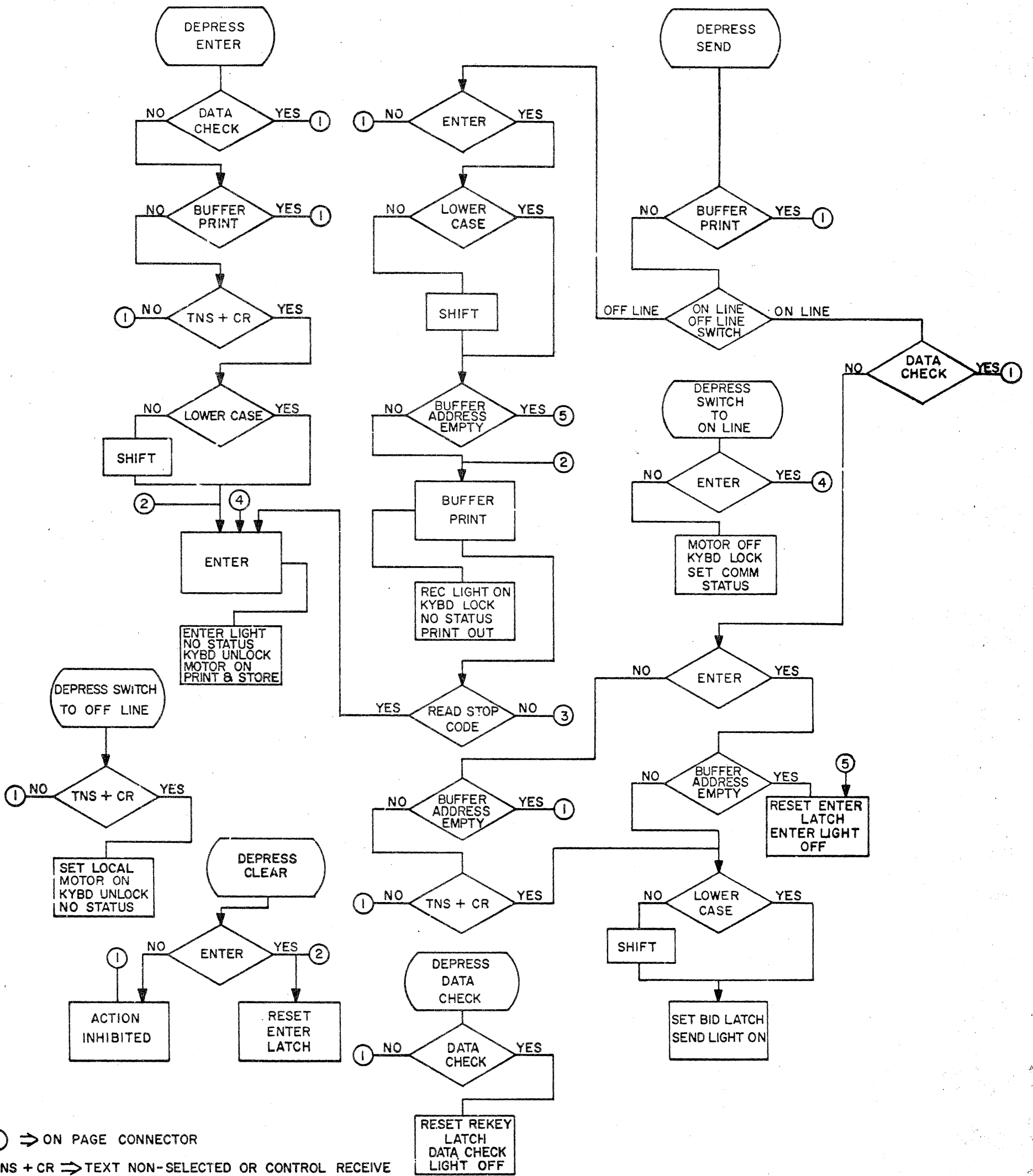
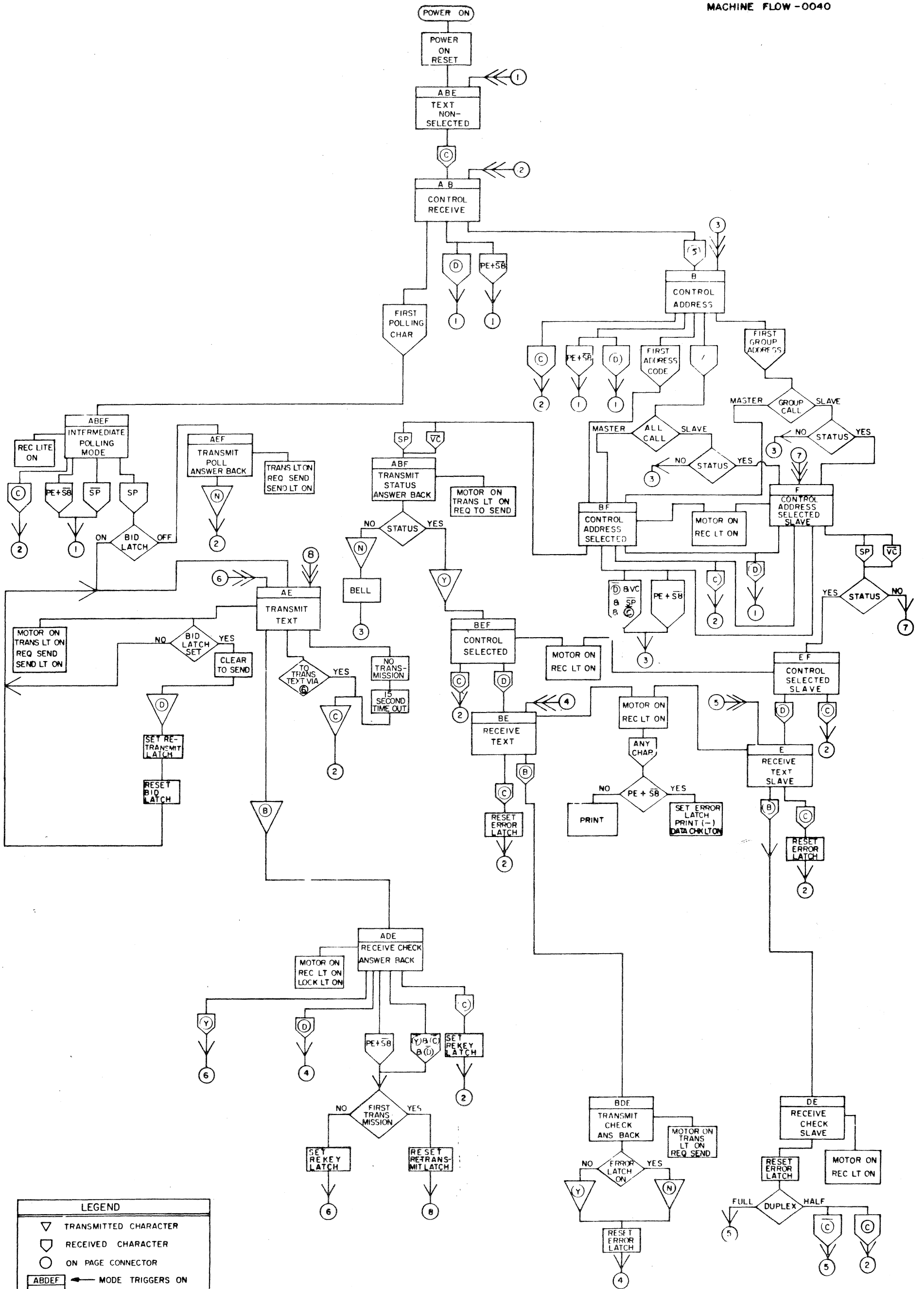


DATE	E.C. NO.	DATE	E.C. NO.	SYSTEM DATA FLOW	
16 FEB 67	506881-M			PART NO. 1186643	PAGE NO. 0020
				IBM 1971	



DATE	E.C. NO.	DATE	E.C. NO.	FUNCTION FLOW DIAGRAM
16 FEB 67	506881-M			
				PART NO. 1186626 PAGE NO 0030
				IBM 1971



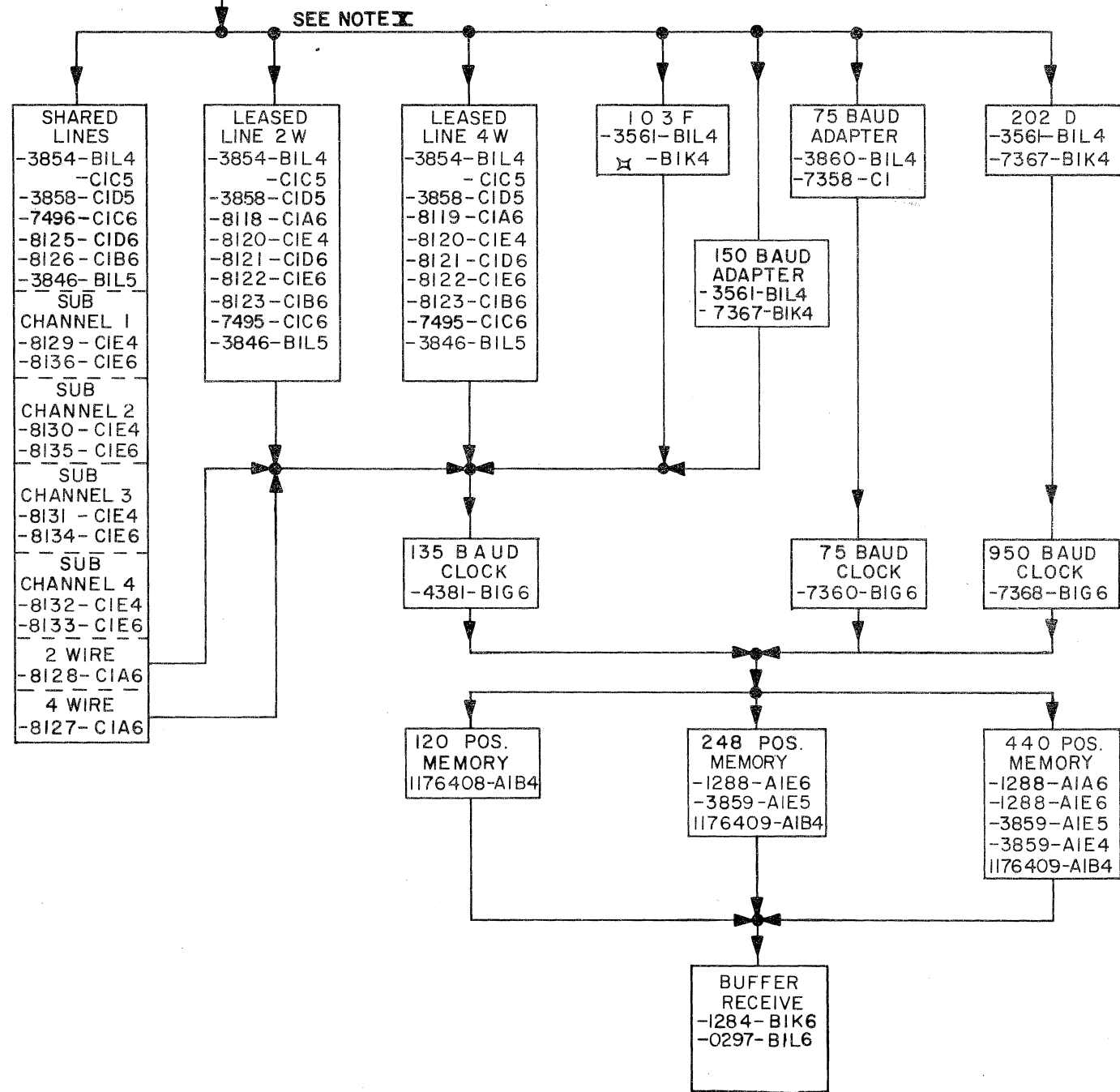
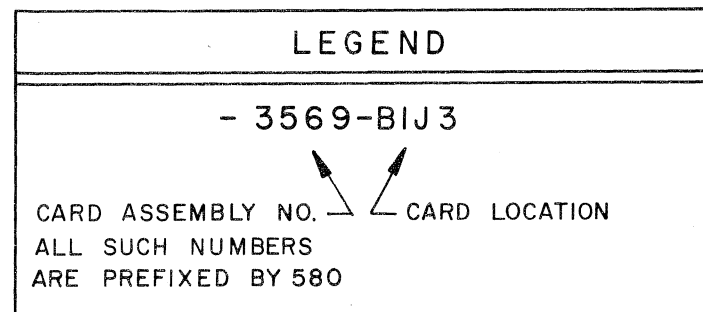
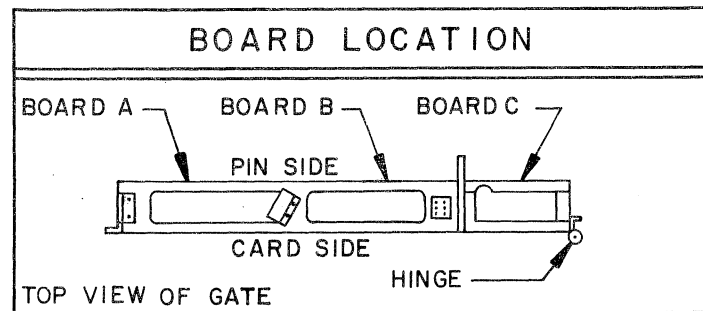
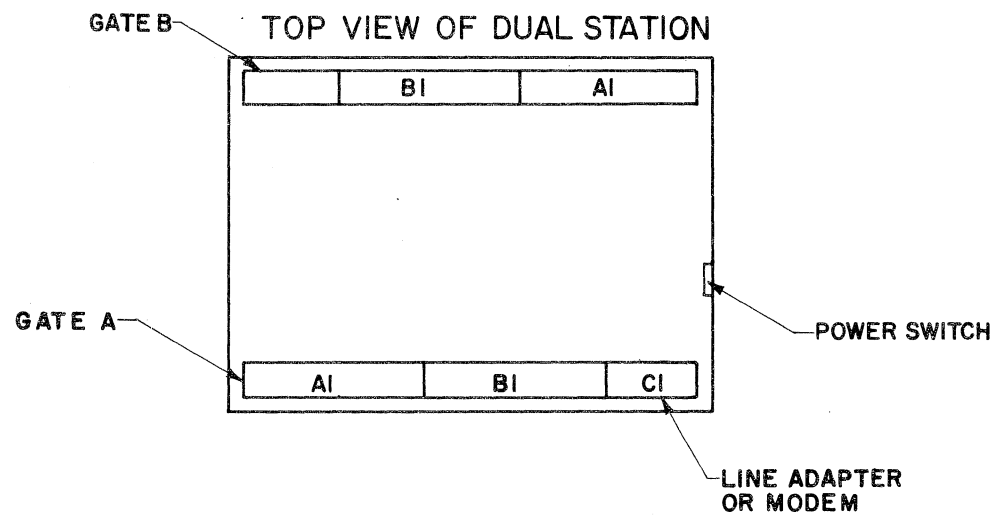
LEGEND	
▽	TRANSMITTED CHARACTER
◁	RECEIVED CHARACTER
○	ON PAGE CONNECTOR
ABDEF	MODE TRIGGERS ON MACHINE MODE

DATE	E.C. NO.	DATE	E.C. NO.	MACHINE MODE FLOW
16 FEB 67	506881-M			DIAGRAM
AUG 67	306767			PART NO. 1186627 PAGE NO. 0040
JUN 68	307158			IBM 1971

COMMON CARDS													
BASE			STATION CONTROL			MEMORY						VRC	
-4379-BIC2	-3567-BIL1	-3569-BIJ3	-4378-BIJ4	-4441-BIF4	-7363-AIK1	-0795-AIE3	-3743-AIC3	-0791-AIB3	-6027-AIH1	-7357-AIC1	-3859-AIC4	-1312-AIK5	-1265-AIG3
-4370-BID2	-3565-BIJ2	-3569-BIK2	-4368-BIE6	-7362-BIH4		-1264-AIL3	-1321-AIF3	-4503-AIF5	-6028-AIG1	-1282-AIB1	-3859-AIC5	-3861-BIF1	-1286-AIA1
-4373-BIF2	-3852-BIL3	-3569-BIL2	-3570-BIG1	-7364-BIG2		-6008-AIK3	-4496-AIJ5	-0789-BIF6	-6029-AIF1	-3857-AID5	-3859-AIC6	-1279-BIH6	-3856-AIA3
-4439-BIH2	-3566-BIK3	-4371-BIE4	-4369-BID4	-7365-BIJ6		-4385-AIJ3	-4497-AIH5	-4495-BIC6	-1280-AIE1	-3857-AID6	-3859-AIC7	-1283-BIE2	-6009-AIH3
-3567-BIK1	-3569-BIJ1	-4375-BIG4		-7359-AIJ1		-0796-AID3	-1266-AIG5	-6658-AIF7	-1281-AID1	-3859-AID4	-6026-AIA4	-1287-BID6	

**NOTE**

✕ ONLY ONE LINE ADAPTER, MODEM OR DATA SET, IS USED ON THE DUAL STATION 1971 MODEL 35. THIS LINE ADAPTER WILL BE LOCATED ON THE A GATE



✕ { -1315 USED FOR SINGLE STATION  
-7367 USED FOR DUAL STATION

DATE	E.C. NO.	DATE	E.C. NO.	FEATURE LISTING AND CARD LOCATION
16 FEB 67	506881-M	JUN68	307158	
AUG67	306767			PART NO. 1186636   PAGE NO. 0050
DEC67	306846			
JAN68	307109			

IBM 1971



BOARD C1  
(CARD SIDE)

	(1)(2) 8120 (3)(4) 8129 (5)(6) 8130	(7)(8) 8131 (9)(10) 8132	(1)(2) 8122 (7)(8) 8134 (3)(4) 8136 (9)(10) 8133 (5)(6) 8135
		(1)(2)(3)(4)(5)(6) (7)(8)(9)(10) 3858	(1)(2) 8121 (3)(4)(5)(6)(7)(8)(9)(10) 8125
			(1)(2) 7495 (3)(4)(5)(6)(7)(8)(9)(10) 7496
		MODEM XOVER 1176790	(1)(2) 8123 (3)(4)(5)(6)(7)(8)(9)(10) 8126
		MODEM LINE CABLE	(1) 8118 (2) 8119 (3)(5)(7)(9) 8128 (2)(4)(6)(8) 8127

- (1) LEASED LINE 2W
  - (2) LEASED LINE 4W
  - (3) SHARED LINES SUB CHANNEL 1-2W
  - (4) SHARED LINES SUB CHANNEL 1-4W
  - (5) SHARED LINES SUB CHANNEL 2-2W
  - (6) SHARED LINES SUB CHANNEL 2-4W
  - (7) SHARED LINES SUB CHANNEL 3-2W
  - (8) SHARED LINES SUB CHANNEL 3-4W
  - (9) SHARED LINES SUB CHANNEL 4-2W
  - (10) SHARED LINES SUB CHANNEL 4-4W
- ☐ CABLE REQUIRED FOR (1)(2) 1176647 (3)(4)(5)(6)(7)(8)(9)(10) 1186279

BOARD B1  
(CARD SIDE)

	I/O CABLE	PS CABLE	DUAL STATION	MODEM CABLE		
	I/O CABLE	I/O CABLE		DATA SET CABLE		
	3567	3569	3852	(1)(2) 3854 * 3860 3561	(1)(2) 3846	0297
	3567	3569	3566	* 1315 7367		* 1284
	3569	3565	3569	4378		7365
		4439		7362		1279
	3570	7364		4375		* 4381 7360 7368
	3861	4373		4441		0789
		1283		4371		4368
	CE AID CABLE	4370		4369		1287
NOTE TO DISPLAY 1B REGISTER PLUG THE CE AID CABLE INTO C1. TO DISPLAY 2B REGISTER PLUG THE CE AID CABLE INTO D1.						
	CE AID CABLE	4379				4495
	CE AID CABLE			XOVER	XOVER	XOVER
	XOVER	XOVER	XOVER	XOVER	XOVER	XOVER

- \* POSITION K-6, 7: 1284, 3559
- \* POSITION L-4: 3854, 3860, 3561
- \* POSITION K-4: 7367, 1315
- \* POSITION G-6: 4381, 7360, 7368

NOTE: MORE THAN ONE CARD NO. (580XXXX) TO A POSITION REPRESENTS AN OPTION. SEE PAGE FEATURE LISTING-001 FOR DETAILED INFORMATION

BOARD A1  
(CARD SIDE)

	XOVER	XOVER	XOVER	XOVER	XOVER	XOVER	XOVER
				XOVER	XOVER	XOVER	
			1264				
	7363		6008		1312		
	7359		4385		4496		
	6027		6009		4497		
	6028		1265		1266		
	6029		1321		4503		6658
	1280	0795	3859	3859		1288	
	1281	0796	3859	3857	3857		
	7357	3743	3859	3859	3859	3859	
	1282	0791		* * 1176408 1176409			
	1286	3856		6026		1288	

\* \* POSITION B-4: 1176408, 1176409 OPTIONS OF MEMORY CARDS. SEE PAGE FEATURE LISTING-001 FOR DETAILED INFORMATION

NOTE: WHEN TERMINAL HAS 75 BAUD FEATURE, 75 BAUD ADAPTER ASM P/N 1186602 MOUNTS IN PLACE OF CI BOARD. THIS ASSEMBLY MOUNTS RELAY CARD P/N 5807358.

DATE	E.C. NO.	DATE	E.C. NO.	BOARD DIAGRAM	
16 FEB 67	506881-M				
AUG 67	306767			PART NO. 1186635	PAGE NO. 0060
DEC 67	306846			IBM 1971	
JUN 68	307158				

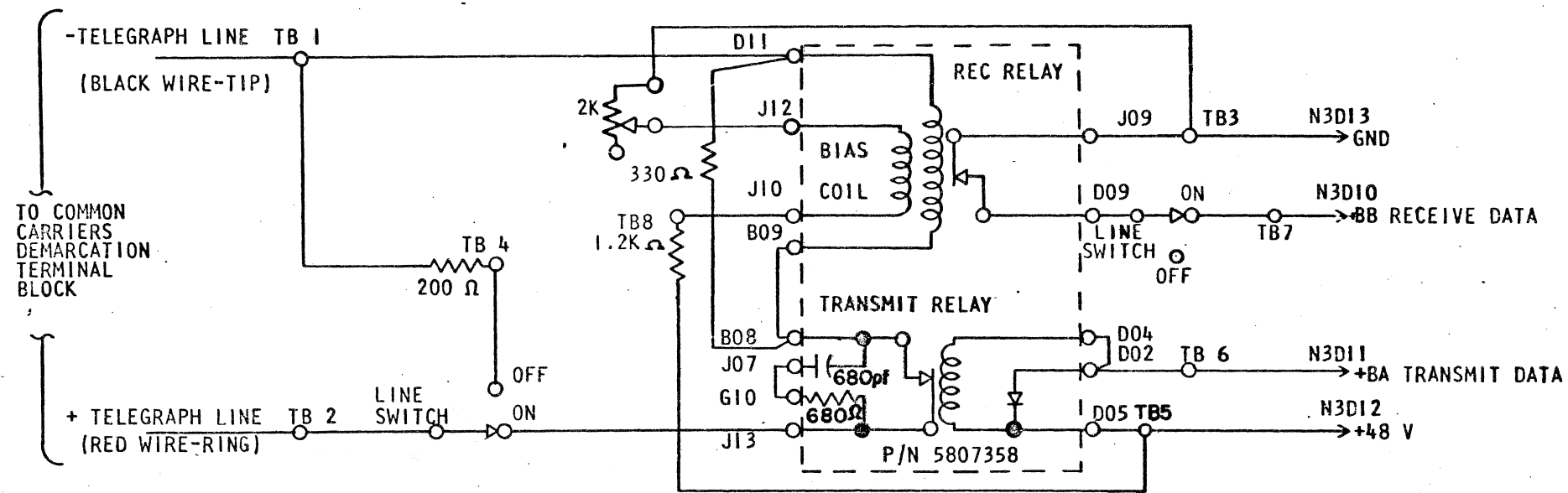
SIGNAL NAME	NET NO.	SIGNAL NAME	NET NO.	SIGNAL NAME	NET NO.	SIGNAL NAME	NET NO.
+A	AA21IAN2	+ CLOCK RUN	AA131BC4	HORIZONTAL SWITCH 6 IN	BB051AX4	- ODD PARITY	BB151AY6
+*A	AA261BG4	+ CMV	AA363AA4	HORIZONTAL SWITCH 7 IN	BB051AT4	- ODD PARITY AC INPUT	BB221AT4
- *A LIGHT	CE021AU4	- CMV	AA363AB4			+ OPERATE	AA141BF2
+A RESET GATE A	BB101AH7	+ COMM	AA201AN6			- ORIGINATE MODE	AA341AJ4
- A RESET GATE	BB411BC4	+ COMM N-OI	AA165AC2	HORIZONTAL SWITCH 1 OUT	BB073AF4		
- A SET GATE	BB091BG4	- COMM 2	AA273AD4	HORIZONTAL SWITCH 2 OUT	BB073AG4		
		+ CONTROL ADDRESS MODE	BB091AT4	HORIZONTAL SWITCH 3 OUT	BB073AH4	+ PAPER	AA165AD2
		+ CONTROL ADDRESS SELECTED	BB091AS4	HORIZONTAL SWITCH 4 OUT	BB073AJ4	- PAPER - X	BB301AQ4
+ B	AA211AU2	- CR MD	AA011AQ2	HORIZONTAL SWITCH 5 OUT	BB073AK4	- PARITY ERROR	BB021BB6
+ B <sub>1</sub>	BB231AN4	+ CURRENT CONTROL 1	BB011AN2	HORIZONTAL SWITCH 6 OUT	BB073AL4	+ PARITY ERROR OR NOT S8	BB021AQ4
+ * B	AA261BF4	+ CURRENT CONTROL 2	BB011AU2	HORIZONTAL SWITCH 7 OUT	BB073AM4	- PARITY ERROR OR NOT S8 LIGHT	CE031AJ4
+ BELL - AB	BB291AH4	- CYCLE	CE031AX6			+ PLATEN SPLIT LATCH SET GATE	BB251AA2
- BELL - A	AA111BH4	- CYCLE INTERLOCK	CE011AK4			- PLATEN SPLIT LIGHT	BB251AC1
- BELL MD	AA011AW2	- CYCLE MAGNET	BB241AP1	HORZ DRIVER READ GATE	BB011AT3	+ POWER ON RESET	AA121AD4
+ BIAS	CC011AB4	+ CYCLE N-OI	CE031AD2	HORZ DRIVER WRITE GATE	BB011AU5	- POWER ON RESET	AA141AH4
+ BID	AA131AV2	- CYCLE N-CI	CE031AT2	HORZ SWITCH READ GATE	BB011AU4	- * POWER ON RESET	BB231BF4
+ BID 1	AA291AV4	+ CI	AA071AM4	HORZ SWITCH WRITE GATE	BB011AX3		
- BK SP MD	AA011AT2	+ * CI	AA071AK2				
- * B LIGHT	CE011AL4	- CI	AA071AT4			- ** POWER ON RESET	AA201AZ4
- B RESET GATE	BB281AN4	- * CI	AA071AK6	+ INCORRECT CASE	AA091AN4	- * * POWER ON RESET	AA321AL4
- B SET GATE	BB411BD4	+ C 2	AA071AY4			- POWER ON RESET - X	AA165AJ4
		- C 2	AA071AP4			+ PRINT	AA251AM4
		+ C 1 GATE - A	BB261AD7	- INDEX MD	AA011AS2	+ PRINT OUT	AA091AJ4
+ BUFFER ADDRESS 3	BB141AQ2	- C 1 GATE	AA231BH4	+ INHABIT ENTER LIGHT - X	BB161AF7		
+ BUFFER ADDRESS 4	BB132BJ2			+ INHABIT PRINT OUT	BB281AJ4		
+ BUFFER ADDRESS 5	BB131BS2	+ C 1 GATE - S	AA231AX7	- INHABIT PRINT OUT - X	BB281AB7	+ READ	BB181BB4
+ BUFFER ADDRESS 6	BB131BT2	+ C 1 - HALF DUPLEX DATA SET	BB161AT3	+ INITIAL LOWER CASE	AA261AT4	+ READ EVEN - WRITE ODD	BB182AS4
+ BUFFER ADDRESS 7	BB131BU2	+ COUNTER RESET	AA272AT4	- INSERT CARD	BB251AT2	- READY LIGHT	BB241BF1
+ BUFFER ADDRESS 8	BB131BV2			+ INVALID CHAR - A	AA181BL7	+ READ ODD - WRITE EVEN	BB182AN4
+ BUFFER ADDRESS 9	BB132BH2	+ D	BB271BD4	- INVALID CHAR	AA181BD4	- READ SET GATE	BB151AC4
+ BUFFER ADDRESS 10	BB132AX2	+ DATA CHECK 1	BB321AC2	- IOC N-CI	AA163AA2	+ READY - I	AA261AQ4
+ BUFFER ADDRESS 11	BB291AT4	- DATA CHECK LIGHT	BB251AN1	+ IOC N-OI	AA163AB2	+ REC - A	AA261AE7
+ BUFFER ADDRESS 12	BB292AS4	+ DATA SET READY	AA341AD4			+ RECEIVE ANSWER - BACK	BB261AN4
		+ D - CE	BB271BC4			- REC ANS BACK - A	BB021AV4
		+ DELAYED SEND	AA171AL2	+ I O CYCLE	AA141AP4	+ RECEIVE CHECK - SLAVE	BB021BC4
- * BUFFER ADDRESS 7	BB291AF4	- D LIGHT	CE011AN4	- * I O CYCLE	BB161AE4		
- * BUFFER ADDRESS 8	BB291AG4	+ D RESET GATE - H	BB191AM7	+ I 1	AA161AA2		
- * BUFFER ADDRESS 9	BB292AE4			+ I 2	AA161AC2	+ RECEIVED DATA	AA341AC4
- * BUFFER ADDRESS 10	BB292AU4	+ E	BB091BH2	+ I 3	AA162AB2	- RECEIVE LIGHT	BB241BH1
+ BUFFER ADDRESS 4 AND 5 AND 6	BB132AH4	+ E - CE	BB121AJ4	+ I 4	AA161AD2	+ RECEIVE NEG ANSWER BACK	BB171AV4
+ BUFFER ADDRESS 4 OR 5 OR 6	BB132AF4	+ E I A CARRIER DETECTOR	AA342DS2	+ I 5	AA162AA2	+ RECEIVE TEXT	BB081AK4
+ BUFFER ADDRESS 7 AND 8	BB132AW4	+ E I A CLEAR TO SEND	AA342DS4	+ I 6	AA162AC2	+ RECEIVE TEXT - B	BB081AE7
+ BUFFER ADDRESS 9 AND 10	BB132AV4	+ E I A DATA SET READY	AA342DS1	+ I 7	AA161AB2	- RECEIVE TEXT BUFFER	AA272AD4
- BUFFER ADDRESS 4 OR 6	BB152AX4	- E I A RECEIVED DATA	AA342DS3			+ RECEIVE TEXT BUFFER OR ENTER	BB152AG4
- BUFFER ADDRESS 7 OR 8	BB132AK4	- E LIGHT	CE011AM4			+ RECI	AA261AP4
		+ END OF STATE	AA321AF4	- KYBD LOCK MD	AA011AU2	+ RE KEY	BB171AT4
		- END OF STATE	AA321AJ4			+ REQUEST TO SEND	AA341AG4
+ BUFFER ADDRESS EMPTY	BB171AW4	+ ENTER	BB321AJ2			- REQ TO SEND - X OR TPI	BB411BB1
- BUFFER ADDRESS EMPTY	BB161AN4	+ * ENTER	BB211AG4	+ LATCH IN	BB251AS2	- RETRANSMIT	BB201AZ4
+ BUFFER ADDRESS EMPTY - X	BB161AN7			- LATCH MAGNET	BB241BD1	- RESET BID	BB201AJ4
+ BUFFER ADDRESS TIME 0	BB141AX4			+ LCI	AA164AF2	- RESET BUFFER ADDRESS	BB152AV4
+ BUFFER ADDRESS TIME 1	BB141AY4	+ ENTER 1	BB241BA4	+ LINE	AA131BF4	- RESET BUFFER ADDRESS SET GT	BB171BD4
+ BUFFER ADDRESS TIME 2	BB141AZ4	- ENTER LIGHT	BB251AQ1	LINE 1, 2W <sub>1</sub> OR TRANSMIT, 4W <sub>1</sub>	CC061AM6	- RESET COUNTER RESET	AA273AG4
+ BUFFER ADDRESS TIME 3	BB141BA4	- ENTER RESET GATE	BB211AR4	LINE 2, 2W <sub>1</sub> OR TRANSMIT, 4W <sub>1</sub>	CC061AM8		
+ BUFFER ADDRESS TIME 4	BB141BB4	- ENTER SET GATE	BB211AA4	+ LOCAL	AA201AN2	- RESET LOCAL	AA131BK4
+ BUFFER ADDRESS TIME 5	BB141BC4	+ ENTER SERDES	AA231BB2	- LOCAL MODE	AA341AH4	+ REVERSE COUNTING SEQUENCE	BB151AX2
+ BUFFER ADDRESS TIME 6	BB141BG4	- ENTER SERDES GATE	AA131AM6	+ LONG FUNCTION	AA162AD2	- REV CTG SEQ CONTROL SET GT	BB221AV4
+ BUFFER ADDRESS TIME 7	BB141BF4	+ EOS AND NOT O	BB061AE4	- * LONG FUNCTION	BB171BB4	- REV CTG SEQ SET GATE	BB142AH4
		+ EOT	AA101AX2			+ REV CTG SEQ SET GATE - X	BB142AZ7
		- EOT GATE	BB161AV4			- RI MD	AA011AL2
+ BFR ADR 9 RESET GATE - X - 1	BB132AB7	- E RESET GATE	BB191AK4	+ MEMORY BUFFER	BB011AE2	- R2 A MD	AA011AB2
+ BFR ADR 9 RESET GATE - X - 2	BB132AA7	+ ERROR	BB021BN2	+ * MEMORY BUFFER	BB151AF4	- R2 MD	AA011AA2
- BUFFER COUNTER AC INPUT	BB152AY2			- MEMORY BUFFER GATE	BB152AH4	- R5 MD	AA011AE2
+ BUFFER EOT GATE - X	BB161AH7			- MEMORY BUFFER SET GATE	BB142AW4		
+ BUFFER PRINT	BB181AZ2	+ F	BB061AL2	- MEMORY BUFFER RESET GATE	BB182AJ4		
+ BUFFER PRINT OR ENTER	BB161AJ4	- F <sub>1</sub>	BB061AP4	+ MEMORY GO	BB182AQ4	+ SDAC	AA061AV4
- BUFFER PRINT OR ENTER	BB031AC4	- F LIGHT	CE011AP4	+ MESSAGE	BB171AU4	- SDAC	AA051AA2
- BUFFER PRINT SET GATE	BB181BE4	- F RESET GATE	BB281AU4	- MESSAGE LIGHT	BB251AK1	- SDCAC1	AA051AB2
- BUFFER PRINT RESET GATE	BB181AB4	- F SET GATE	BB281AV4	+ MODE CHANGE	AA211AG2	- SDCAC2	AA051AC2
				- MODE CHANGE - S	AA211AW7	+ SDMV	AA363AC4
				- MODEM CARRIER OR TLA TP5	CC061AJ4	- SDMV	AA363AD4
+ CARRIER	AA341AE4	- GARBLE	BB101BC6	+ MODEM CLEAR TO SEND	CC061AD6	+ SERIAL DATA IN	AA131BG4
- CCI	AA051AS2					- SERIAL DATA IN	AA341AA4
- CC2	AA051AV2					+ SERIAL DATA OUT	AA231BA4
- CC 1 GATE	AA291AT4	+ HORZ CURRENT SOURCE GT	BB152AR2	- MODEM POR - X	CC061CE4	+ SEND	AA261AD4
- CC 2 G	AA181BV4	HORIZONTAL DRIVER 1	BB051AG4	MODEM TEST LIGHT	CC061CD4	+ SEND <sub>1</sub>	BB231AZ4
- CHECKING	BB161AT2	HORIZONTAL DRIVER 2	BB051AF4	+ MOTOR CONTACTOR	BB191AE4	- SEND <sub>1</sub>	AA261AN4
+ CIRCLE B	BB031AY4	HORIZONTAL DRIVER 3	BB051AK4	- MOTOR CONTACTOR	AA291AA2	- SEND LIGHT	BB251AF1
- CIRCLE B	BB271AK4	HORIZONTAL DRIVER 4	BB051AC4	- MOTOR CONTACTOR - A	BB191AE7		
+ CIRCLE C	AA191AZ4	HORIZONTAL DRIVER 5	BB052AC4				
+ CIRCLE D	AA191BA4	HORIZONTAL DRIVER 6	BB052AF4			SENSE LINE 1	BB073AN4
+ CIRCLE Y	BB261AK4	HORIZONTAL DRIVER 7	BB052AG2	- NO CHECKING	BB161AT1	SENSE LINE 2	BB073AP4
+ CIRCLE C <sub>1</sub>	BB231AJ4			+ NORMAL COUNTING SEQUENCE	BB151AX6	- SET BID	BB211AH4
				+ NON PRINT FUNCTION	AA251AT4	- SET CONTROL RECEIVE	BB111AV4
		HORIZONTAL SWITCH 1 IN	BB051BE4	+ * NON PRINT FUNCTION	BB321AB4	- SET LOC	BB191AD4
- CK MD	AA011AF2	HORIZONTAL SWITCH 2 IN	BB051BK4	- * NON PRINT FUNCTION	AA321AM4	+ SET TEXT NON-SELECTED	BB111AT4
+ CLEAR N-OI	AA164AH2	HORIZONTAL SWITCH 3 IN	BB051BB4	- NOW PRINT MD	AA011AN2	+ SET TNS OR CR	BB111AP4
+ CLEAR TO SEND	AA341AF4	HORIZONTAL SWITCH 4 IN	BB051BN4			- SHIFT MD	AA011AM2
+ CLEAR TO SEND <sub>1</sub>	AA331AN4	HORIZONTAL SWITCH 5 IN	BB051AQ4			- SHIFT LAT KNOCK OFF MD	AA011AV2

DATE	E.C.NO.	DATE	E.C.NO.	SIGNAL SOURCE LISTING
16 FEB 67	506881-M			NUMBER 1
AUG67	306767			PART NO. 1186641 PAGE NO. 0070
DEC 67	306846			IBM 1971
JUN68	307158			

SIGNAL NAME	NET NO.	SIGNAL NAME	NET NO.	SIGNAL NAME	NET NO.	SIGNAL NAME	NET NO.	ALD PAGE
+ SPACE	BB10IAU4	-TO T2 MD	AA24IAB4	+ 2 B OVERFLOW RESET	AAI2IBJ4	- CLEAR N-O	BC164AA4	AA164
+ S REGISTER EMPTY	AA13IAC2	+ TRANSMIT ANSWER BACK	BB08IAL4	- 2 B RESET	AAI2IBH4	+ COMM N-C	BC165AA4	AA165
+ * S REGISTER EMPTY	AA13IAD4	- TRANSMIT DATA	AA34IAB4	+ 2 B SET	AAI9IBC4	- COMM N-O	BC165AA2	AA165
- S REGISTER EMPTY SET GATE	AA22IAX4	- TRANSMIT LIGHT	BB24IBG1	+ r2B SET	BB02IAH4	- CR OR TAB INTLK	BC162AA4	AA162
- S REGISTER RESTORE	AA23IAQ4	+ TRANSMIT TEXT	BB09IAQ4	+ * 2 B SET	AAI2IAZ2	- CYCLE N-O	BC03ICE2	CE031
- S REGISTER TP	AA02IAB4	+ * TRANSMIT TEXT	BB23IAM4	- * 2 B SET	AA23IAP4	+ CYCLE N-C	BC03ICE3	CE031
+ STATION ADDRESS CODE	BB10IAV4	- T1 MD	AA01IAC2	- 2 B SET SET GATE	AAI2IBG4			
+ STATUS	AA20IAG2	- T2 MD	AA01IAD2	- 2 B SET RESET GATE	AA23IAW4	- DATA CHECK N-O	BC32IBBI	BB321
- STATUS SET GATE	BB21IAF4			+ 2 B1	AA08IAE4			
+ STATUS SET GATE - X	BB21IAF7			- 2 B1	BB27IAQ4	- ENTER N-O	BC29IAA1	AA291
+ STATUS INHIBIT	AA26IAK4	+ UC1	AA164AG2	- 2 B1 LIGHT	CE022AD4			
+ STOP CODE	BB142AX4					+ GUIDE N-O	BC25IAA3	BB251
+ STOP CODE - X	BB16IAG7							
+ STORE STOP CODE	BB18IAW2	+ VERT CURRENT SOURCE GATE	BB18IAX2	+ 2 B 2	AA08IAJ4	- IOC N-O	BC163AA2	AA163
- STORE STOP CODE SET GATE	BB21IAB4	+ * VERT CURRENT SOURCE GT	BB18IBD4	- 2 B 2 LIGHT	CE022AF4	+ IOC N-C	BC163AA1	AA163
		VERT DRIVER READ GATE	BB01IAM3	+ 2 B 3	AA08IAN4			
		VERT DRIVER WRITE GATE	BB01IAN5	- 2 B 3 LIGHT	CE022AH4	- LATCH N-C	BC25IAA2	BB251
+ STROBE	AA20IAU2	VERT SWITCH READ GATE	BB01IAN4	+ 2 B 4	AA08IAS4	- LCC	BC164AA2	AA164
+ STROBE 0	AA10IAY2	VERT SWITCH WRITE GATE	BB01IAR3	- 2 B 4 LIGHT	CE022AK4			
- r STROBE 0	AA20IAY4	VERTICAL DRIVER 1	BB04IAC4	+ 2 B 5	AA08IAW4	+ MOD TEST	MT01IAA4	CC061
- STROBE 0 RESET GATE	AA10IAA4	VERTICAL DRIVER 2	BB04IAK4	- 2 B 5 LIGHT	CE022AM4			
- STROBE N-C1	AA163AC2	VERTICAL DRIVER 3	BB04IAF4	+ 2 B 6	AA08IBA4	- PAPER N-C	BC165AA3	AA165
+ STROBE N-O1	AA163AD2	VERTICAL DRIVER 4	BB04IAG4	- 2 B 6 LIGHT	CE022AP4	- PLATEN SPLIT N-O	BC25IAA1	BB251
+ STOP CLOCK	CE01IAY2					- PS N-C	BC165AA1	AA165
- STOP CLOCK AC RESET	CE03IAW4							
- STOP CLOCK RESET GATE	CE03IAU4	VERTICAL SWITCH 1 IN	BB04IAQ4	+ 2 B 7	AA09IAD4	RECEIVE - 1 r 4W	MT02IAA4	CC061
+ SD1	AA06IAS2	VERTICAL SWITCH 2 IN	BB04IAX4	- 2 B 7 LIGHT	CE022AS4	RECEIVE - 2 r 4W	MT03IAA4	CC061
+ SD2	AA06IAT2	VERTICAL SWITCH 3 IN	BB04IAT4	+ 12 VOLTS - RH	BB05IBA4			
+ SD3	AA06IAU2	VERTICAL SWITCH 4 IN	BB04IAU4	+ 12 VOLTS - RV	BB04IBA4	- SEND 1	BC161AA1	AA161
- SD4	AA07IAC6	VERTICAL SWITCH 5 IN	BB042AC4			- SEND 2	BC161AA3	AA161
		VERTICAL SWITCH 6 IN	BB042AK4			- SEND 3	BC162AA2	AA162
		VERTICAL SWITCH 7 IN	BB042AF4			- SEND 4	BC161AA4	AA161
+ S0	AA03IBA2	VERTICAL SWITCH 8 IN	BB042AG4			- SEND 5	BC162AA1	AA162
+ S1	AA03IAV2			+ 48 V-1	AA27IAQ4	- SEND 6	BC162AA3	AA162
+ S2	AA03IAQ2					- SEND 7	BC161AA2	AA161
+ S3	AA03IAK2	VERTICAL SWITCH 1 OUT	BB073AB4					
+ S4	AA02IAE2	VERTICAL SWITCH 2 OUT	BB073AC4			+ SEND N-C	BC22IBBI	BB221
+ S5	AA02IAX2	VERTICAL SWITCH 3 OUT	BB073AD4			- SEND N-O	BC164AA1	AA164
+ S6	AA02IAS2	VERTICAL SWITCH 4 OUT	BB073AE4			- SEND - B	BC33IAA3	AA331
+ S7	AA02IAM2	VERTICAL SWITCH 5 OUT	BB072AA5			- SPACE N-O	BC04ICE1	CE041
+ S8	AA02IAG2	VERTICAL SWITCH 6 OUT	BB072AA6			- SPACE N-O	BC04ICE1	CE042
		VERTICAL SWITCH 7 OUT	BB072AA7			- STROBE N-O	BC163AA4	AA163
		VERTICAL SWITCH 8 OUT	BB072AA8			+ STROBE N-C	BC163AA3	AA163
- S0 RESET	AA22IAV4							
- S1 RESET	AA22IAP4					- TEST N-O	BC32IAA4	CC061
- S2 RESET	AA22IAN4	+ WRITE	BB18IBA4			+ TO BIAS ADJUST	BC01ICC1	CC011
- S3 RESET	AA22IAM4					+ TO TELEGRAPH LINE	DSO1ICC1	CC011
- S4 RESET	AA22IAL4							
- S5 RESET	AA22IAK4	+ 1 B EMPTY	AA19IBB4			- UCC	BC164AA3	AA164
- S6 RESET	AA22IAJ4	+ 1 B FULL	AA19IAY4					
- S7 RESET	AA22IAH4	+ * 1 B FULL	AA29IAW4			+ + 12V REG	BC36IAA1	AA364
		+ 1 B GENERATE	AA18IBW4			+ + 12V REG	BC36IAA1	AA361
		+ r 1 B GENERATE	AA32IAH4					
- TA-B-A	BB28IAS4	- 1 B GENERATE	AA20IAX4			- 1 CH N-O	BC03ICE1	CE031
- TAB MD	AA01IAP2	- 1 B GENERATE - A	BB09IAW4					
+ TEST	CC06IBC2	- 1 B GENERATE - B	AA18IBW7					
- TEST	CC06IBB4	+ 1 B OK	AA23IBF4					
+ TEST POINT 1	AA36IAA3	- 1 B RESET	AA23IAN4					
		+ 1 B RESET - Y	AA23IAJ7					
+ TEST POINT 4	AA363AE4							
THERMISTOR	BB073AA4							
		+ 1 B SET	AAI4IAD4					
		+ 1 B 1	AA18IBB4					
+ TIME OUT 15	AA31IAS4	+ r 1 B 1	BB23IAP4					
+ TIME OUT 15 - C	AA31IAA7	- 1 B 1 LIGHT	CE02IAD4					
		+ 1 B 2	AA18IBC4					
		+ r 1 B 2	BB23IAT4					
+ TLA-1 TP6 OR MODEM DSA TP8	AA28IAD5	- 1 B 2 LIGHT	CE02IAF4					
+ TNS OR CR	BB09IBK4	+ 1 B 3	AA19IAU4					
- TO BELL MD	AA22IBA4	+ r 1 B 3	BB23IAY4					
- TO BK SP MD	AA25IAJ4	- 1 B 3 LIGHT	CE02IAH4					
- TO CK MD	AA24IAQ4	+ 1 B 4	AA18IAM4					
- TO CR MD	AA25IAK4	+ r 1 B 4	BB23IAC4					
+ TO ENTER LIGHT	BB16IAB4	- 1 B 4 LIGHT	CE02IAK4					
- TO INDEX MD	AA25IAH4							
- TO KYBD LOCK MD	AA10IAZ4							
- TO KYBD SH TR MD	AA26IAW4	+ 1 B 5	AA19IAM4					
		- r 1 B 5	BB23IBD4					
		- 1 B 5 LIGHT	CE02IAM4					
- TO NON PRINT MD	AA25IAN4	+ 1 B 6	AA19IAF4					
- TO RI MD	AA24IAL4	+ r 1 B 6	BB23IAU4					
- TO R2 MD	AA24IAS4	- 1 B 6 LIGHT	CE02IAP4					
- TO R2 A MD	AA24IAN4	+ 1 B 7	AA18IAN4					
- TO R5 MD	AA24IAD4	- 1 B 7 LIGHT	CE02IAS4					
- TO SEND 1	AA26IAU4	+ 1 CYCLE HALT	CE03IAA2					
- TO SHIFT MD	AA25IAS4	+ 2 B EMPTY	AA09IAG4					
- TO TAB MD	AA25IAL4	+ * 2 B EMPTY	BB182AM4					
- TO TELEGRAPH LINE	CC01IAC4	+ 2 B FULL	AA09IAF4					
- TO T1 MD	AA24IAF4	- 2 B INHIBIT	BB26IAS4					

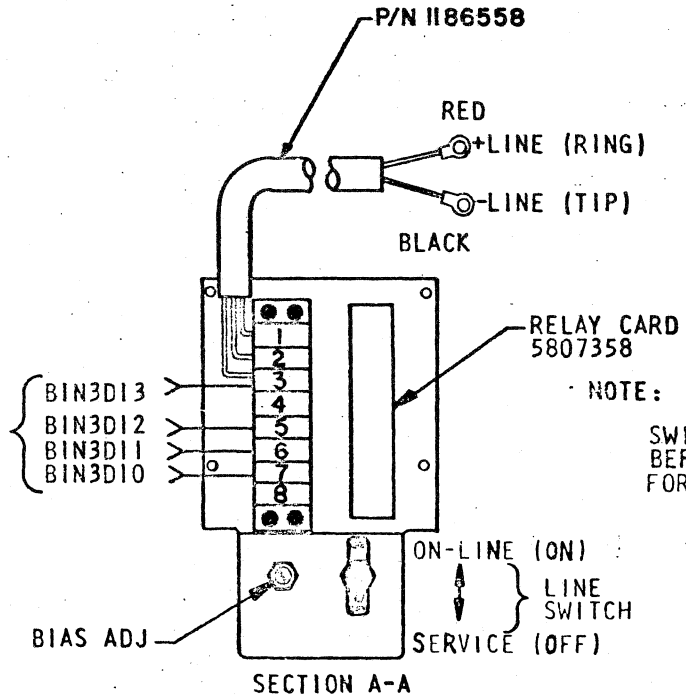
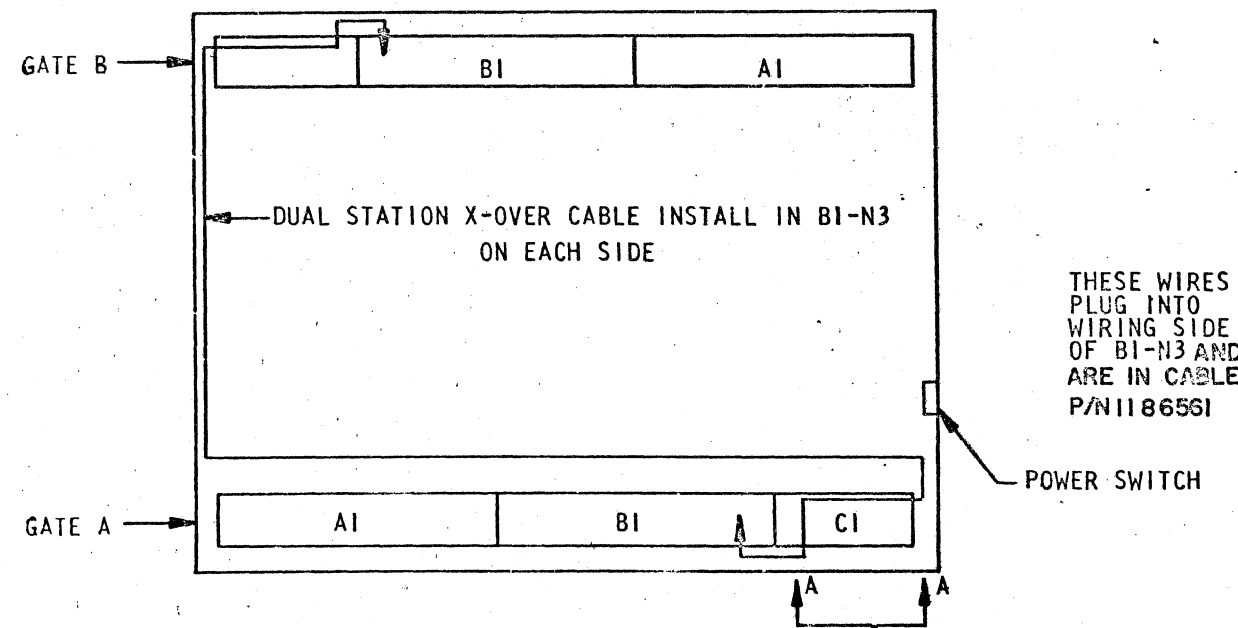
DATE	E.C.NO.	DATE	E.C.NO.	SIGNAL SOURCE LISTING
16 FEB 67	506881-M			NUMBER 2
AUG 67	306767			PART NO.1186642 PAGE NO.0080
DEC 67	306846			
JUN68	307158			IBM 1971

TELE  
335-1674



**WARNING**  
DUE TO TRANSMISSION  
LINE OTHER THAN NORMAL  
VOLTAGE MAY BE PRESENT  
AT ANYTIME

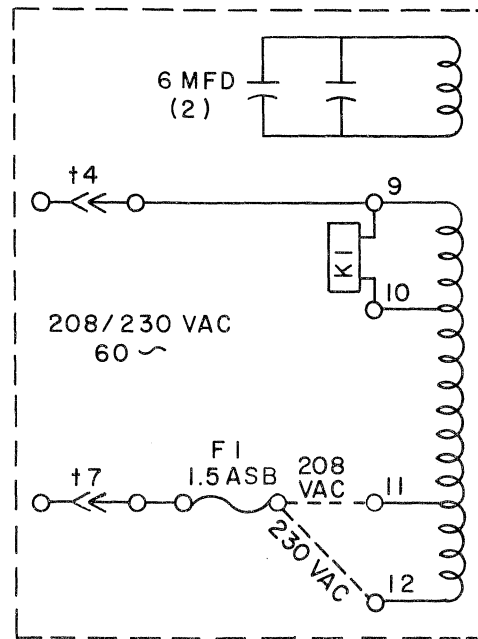
DUAL STATION GT TO GT X-OVER		
	SIDE A	SIDE B
N3 B02 AA331AW4	-REQ TO SEND -X	-REQ TO SEND -X
N3 B03 AA341AE4	+CARRIER	+CARRIER
N3 B04 AA341AD4	+DATA SET READY	+DATA SET READY
N3 B05 AA231AV4	-SERIAL DATA OUT	-SERIAL DATA OUT
N3 B07 AA341AA4	-SERIAL DATA IN	-SERIAL DATA IN
N3 B09 BC331AA3	-SEND B	-SEND B
N3 B12 AA261AX4	-SEND	-SEND
N3 D05 AA341AF4	+CLEAR TO SEND	+CLEAR TO SEND
N3 D06 AA331AN4	+CLEAR TO SEND	+CLEAR TO SEND
N3 D10 AA341AC4	-RECEIVED DATA	-RECEIVED DATA
N3 D11 AA341AB4	+TRANSMIT DATA	+TRANSMIT DATA
N3 D12 AA271AQ4	+48 V	



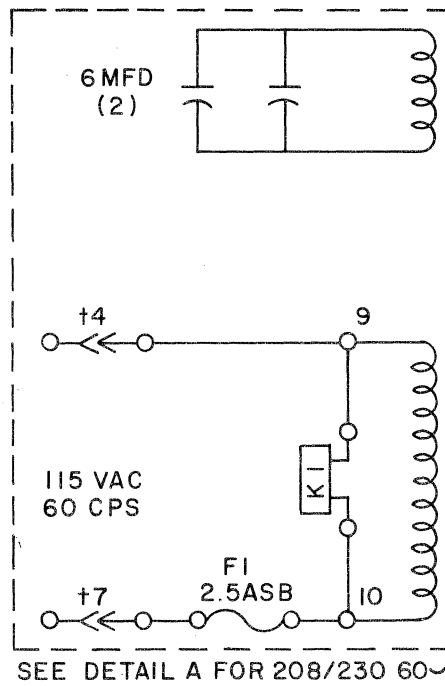
DATE	E.C. NO.	DATE	E.C. NO.	TELEGRAPH LINE ADAPTER
13 FEB 67	300000-1	JUN 63	307158	INSTALLATION DUAL STATION
AUG 67	306767	JUL 69	308306	PART NO. 1186644   PAGE NO. 0090
SEP 67	306818			IBM 1971
DEC 67	306846			

1186644

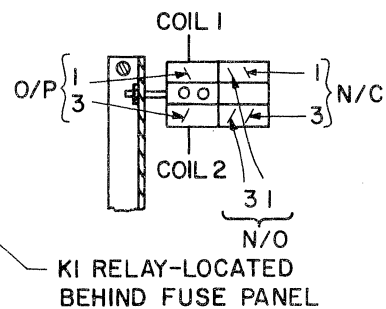
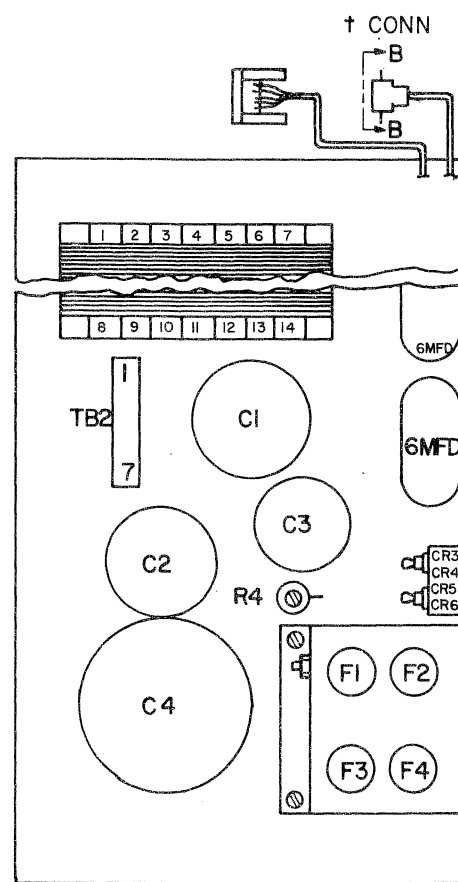
TEL-LA INSTALL-0090



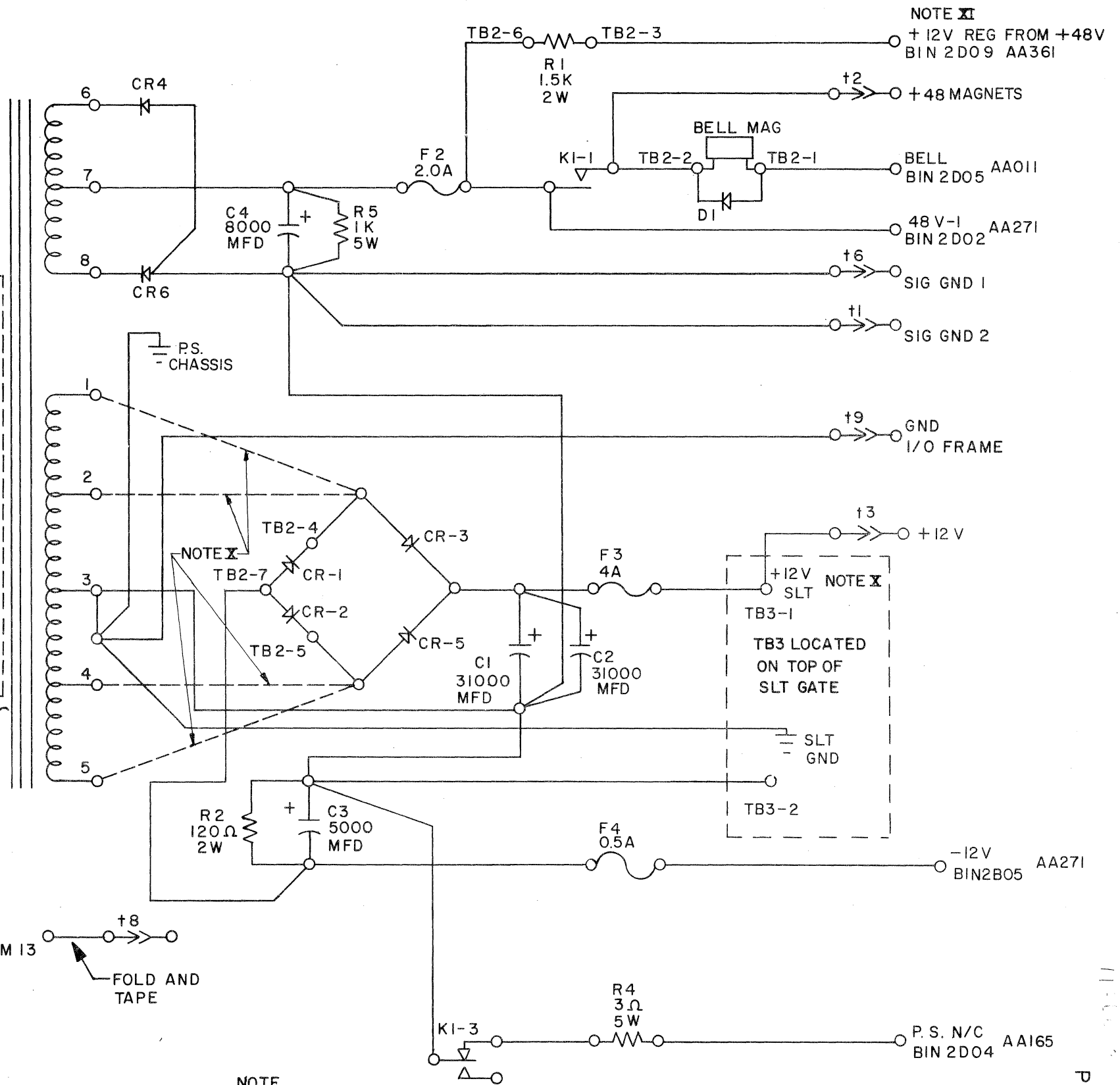
DETAIL A



SECTION BB  
↑ CONN



KI RELAY-LOCATED  
BEHIND FUSE PANEL



NOTE XI  
+12V REG FROM +48V  
BIN 2D09 AA36I

NOTE  
X IF THE +12V SLT SUPPLY VOLTAGE IS BELOW +11.7V DC, CHANGE THE TRANSFORMER TAPS ON THE SECONDARY WINDING FROM POSITIONS 2 AND 4 TO POSITIONS 1 AND 5 IF NOT DONE ALREADY  
XI +12V REG WILL BE +48V WHEN SLT CARD 5807368 IS USED

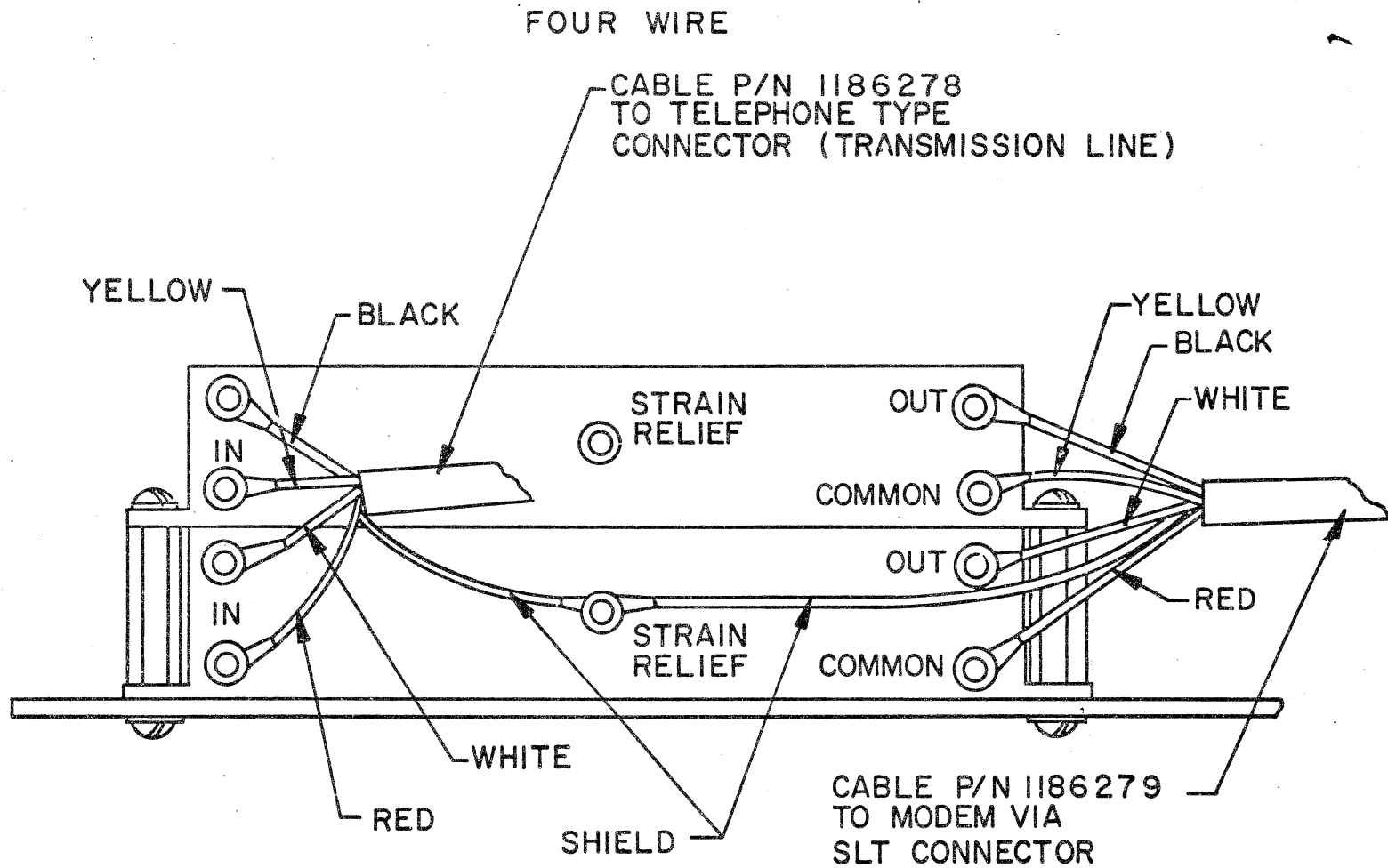
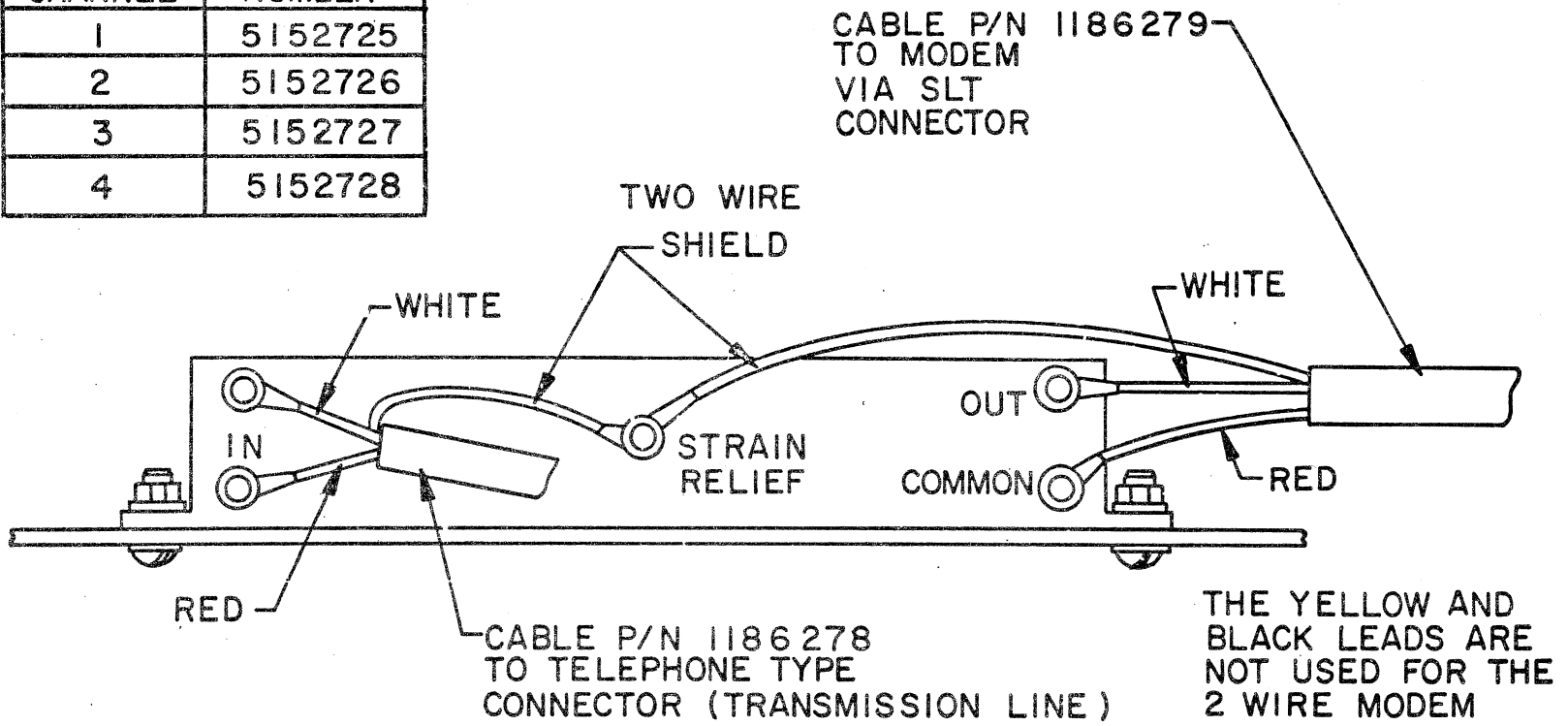
DATE	E.C. NO.	DATE	E.C. NO.	POWER SUPPLY SCHEMATIC
16 FEB 67	50688-M			
AUG 67	306767			PART NO. 1186633 PAGE NO. 0100
DEC 67	306846			
JUN 68	307158			

11-000  
POW SUPP - 0100



# SHARED LINES FILTERS — 0110

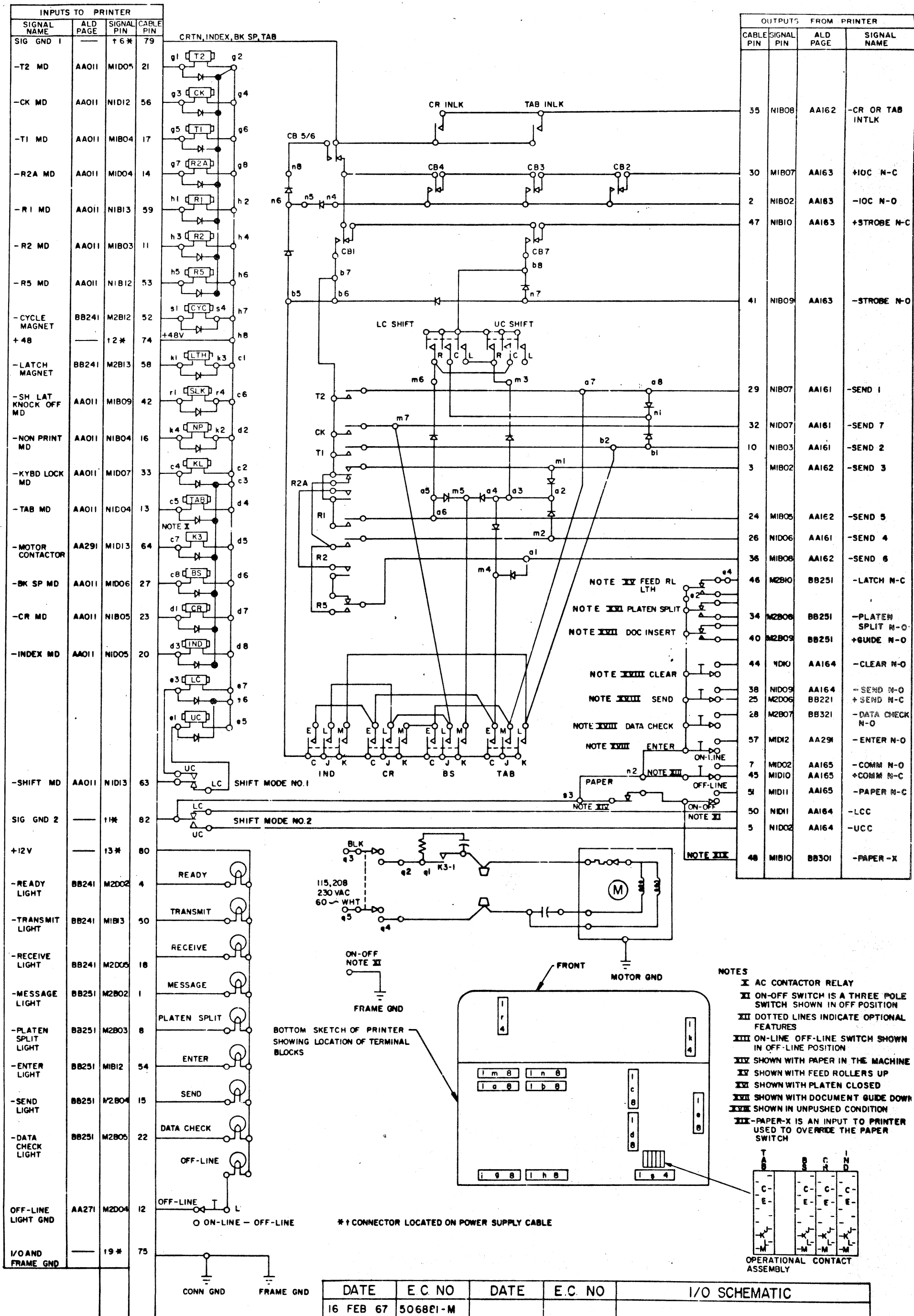
SUB CHANNEL	PART NUMBER
1	5152725
2	5152726
3	5152727
4	5152728



THESE FILTERS ARE MOUNTED AT THE BACK OF THE STAND BENEATH THE READING BOARD

REFER TO PAGE AA342  
NOTE THAT WIRE COLORS  
DO NOT CORRESPOND TO  
THE TELEPHONE TYPE  
CONNECTOR TERMINAL  
DESIGNATIONS

DATE	E.C. NO.	DATE	E.C. NO.	SHARED LINES FILTERS
16 FEB 67	506881-M			
				PART NO. 1186637   PAGE NO. 0110
				IBM 1971

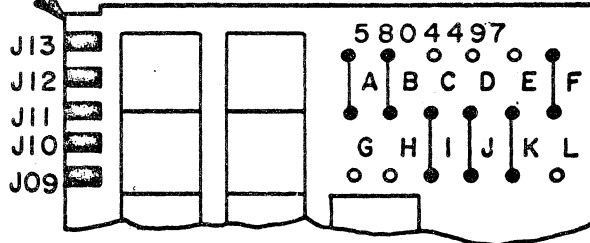


DATE	E.C. NO	DATE	E.C. NO	I/O SCHEMATIC	
16 FEB 67	506821-M				
AUG 67	306767			PART NO. 1186634	PAGE NO. 0120
DEC 67	306846			<b>IBM 1971</b>	
JAN 68	307109				

APG

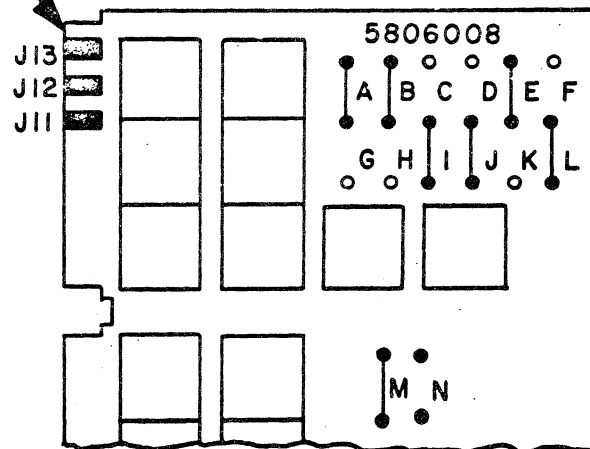
PROGRAM CAP PLUGGING CHART	
ADDRESS CHARACTERS (GROUP OR TERMINAL)	JUMPER PLUG ARRAY PLUGGED ON 5804497 FOR TERMINAL ADDRESS (SEE EXAMPLE NO.1) OR ON 5806008 FOR GROUP ADDRESS (SEE EXAMPLE NO.2)
A	A, E, F, H, I, J
B	B, E, F, G, I, J
C	A, B, E, F, I, J
D	C, E, F, G, H, J
E	A, C, E, F, H, J
F	B, C, E, F, G, J
G	A, B, C, E, F, J
H	D, E, F, G, H, I
I	A, D, E, F, H, I
J	A, F, H, I, J, K
K	B, F, G, I, J, K
L	A, B, F, I, J, K
M	C, F, G, H, J, K
N	A, C, F, H, J, K
O	B, C, F, G, J, K
P	A, B, C, F, J, K
Q	D, F, G, H, I, K
R	A, D, F, H, I, K
S	B, E, G, I, J, L
T	A, B, E, I, J, L
U	C, E, G, H, J, L
V	A, C, E, H, J, L
W	B, C, E, G, J, L
X	A, B, C, E, J, L
Y	D, E, G, H, I, L
Z	A, D, E, H, I, L

PROGRAM CAP SHOWN PLUGGED FOR A TERMINAL WITH ADDRESS "L" POSITION AI-AIH5



EXAMPLE NO. 1

PROGRAM CAP SHOWN PLUGGED FOR A GROUP MASTER STATION TERMINAL WITH GROUP ADDRESS "T" POSITION AI-AIK3



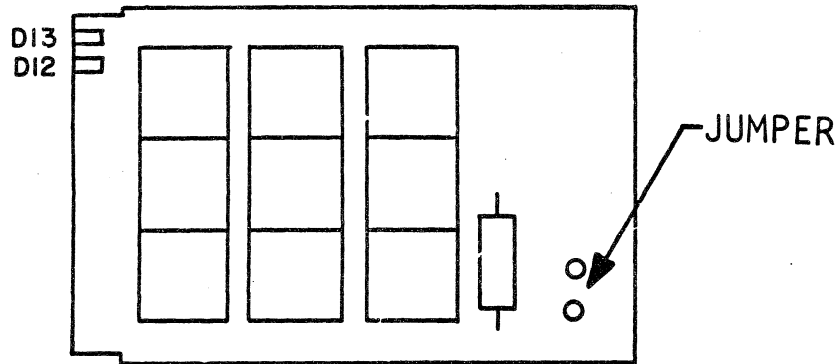
EXAMPLE NO. 2

- NOTES: 1. IF A TERMINAL IS DESIGNATED AS GROUP MASTER, THE "M" JUMPER IS PLUGGED ON 5806008. IF A TERMINAL IS DESIGNATED AS ALL CALL MASTER, THE "N" JUMPER IS PLUGGED ON 5806008. ONE ALL CALL MASTER MUST BE DESIGNATED FOR EACH SYSTEM, AND ONE GROUP MASTER MUST BE DESIGNATED FOR EACH GROUP OF TERMINALS IN THE SYSTEM.
2. AN ADDRESS CHARACTER MAY BE USED FOR A TERMINAL OR A GROUP ADDRESS BUT SHOULD NEVER BE USED FOR BOTH IN ANY PARTICULAR SYSTEM.
3. A TERMINAL ADDRESS AND GROUP ADDRESS MUST BE INSTALLED ON ALL TERMINALS IN THE SYSTEM

DATE	E.C. NO.	DATE	E.C. NO.	PROGRAM CAP PLUGGING
16 FEB 67	506881-M			CHART NO. 1
				PART NO. 1186638   PAGE NO. 0130
				IBM 1971

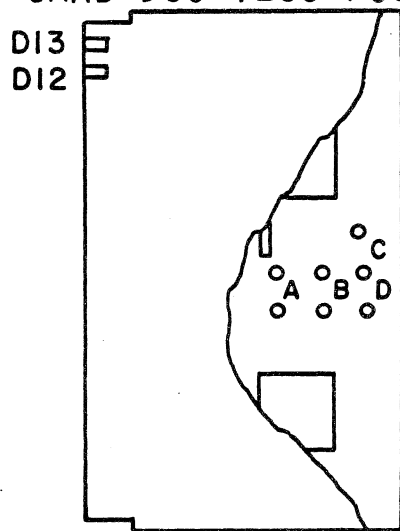


CARD 5803856 POSITION A1A3  
REVERSE TRANSMISSION



JUMPER CAP IS USED WHEN OPERATING  
FULL DUPLEX WITH 103F OR 202D DATA  
SETS

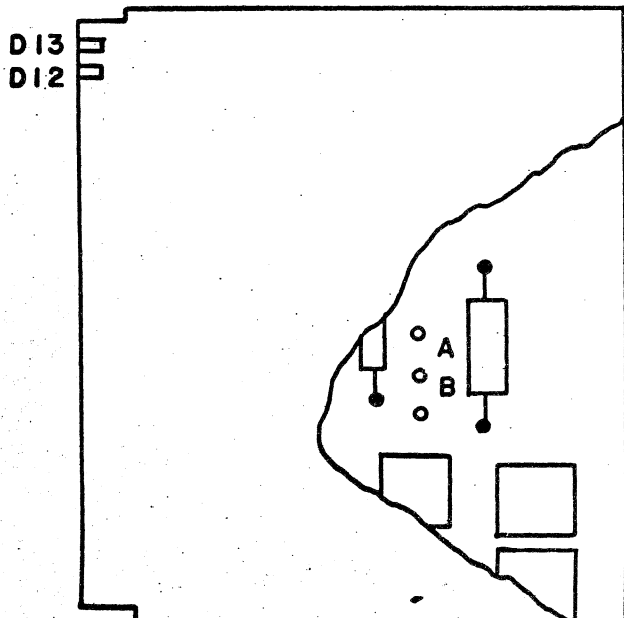
CARD 580 1280 POSITION A1E1 BUFFER 5



NOTES

- (1) JUMPER C IS REQUIRED FOR ALL TERMINALS
- (2) JUMPER A IS REQUIRED FOR SLAVE TERMINAL  
EQUIPPED WITH TELEGRAPH L/A OPTION OR 150 BAUD FEATURE
- (3) JUMPER B IS NOT USED
- (4) JUMPER D IS NOT USED

CARD 5807367 POSITION B1K4



JUMPER A IS USED WITH 103F DATA SET  
JUMPER B IS USED WITH 202D DATA SET FEATURE OR  
150 BAUD FEATURE

DATE	E.C. NO.	DATE	E.C. NO.	PROGRAM CAP PLUGGING
16 FEB 67	506881-M			CHART NO. 2
JAN 68	307109			PART NO. 1186639 PAGE NO. 0140
				IBM 1971

### MODE CHART

DEF	AB	11	10	00	01
000		CONTROL RECEIVE			CONTROL ADDRESS
001		TRANSMIT STATUS A/B		CONTROL ADD SEL SLAVE	CONTROL ADD SEL
011		INTERM POLL MODE	TRANSMIT POLL A/B	CONTROL SEL SLAVE	CONTROL SELECTED
010		TEXT NON-SEL	TRANSMIT TEXT	RECEIVE TEXT SLAVE	RECEIVE TEXT
110			RECEIVE CHECK A/B	RECEIVE CK SLAVE	TRANSMIT CHECK A/B
111					
101					
100					

### STANDARD CODE CHART

6 BIT CODE  
(WITH ODD PARITY CHECK BIT "▼")

LINE CODE  
BIT ORDER  
\* NUMBERS ALSO REPRESENT REGISTER POSITIONS

3 4 5 6  
0 0 0 0  
0 0 0 1  
0 0 1 0  
0 0 1 1  
0 1 0 0  
0 1 0 1  
0 1 1 0  
0 1 1 1  
1 0 0 0  
1 0 0 1  
1 0 1 0  
1 0 1 1  
1 1 0 0  
1 1 0 1  
1 1 1 0  
1 1 1 1

12	12	12	12
00	01	10	11
SP	¢	-	+
SP	@	-	&
=	?	J	A
	/	j	a
<	S	K	B
2	s	k	b
;	T	L	C
3	t	l	c
:	U	M	D
4	u	m	d
%	V	N	E
5	v	n	e
!	W	O	F
6	w	o	f
>	X	P	G
7	x	p	g
*	Y	Q	H
8	y	q	h
(	Z	R	I
9	z	r	i
)			
0			
±	,	!	.
#	,	\$	.
	INDEX	CR	TAB
UC SHIFT	EOB	BK SP	LC SHIFT
EOT			

### SPECIAL FINANCE CODE CHART

6 BIT CODE  
(WITH ODD PARITY CHECK BIT "▼")

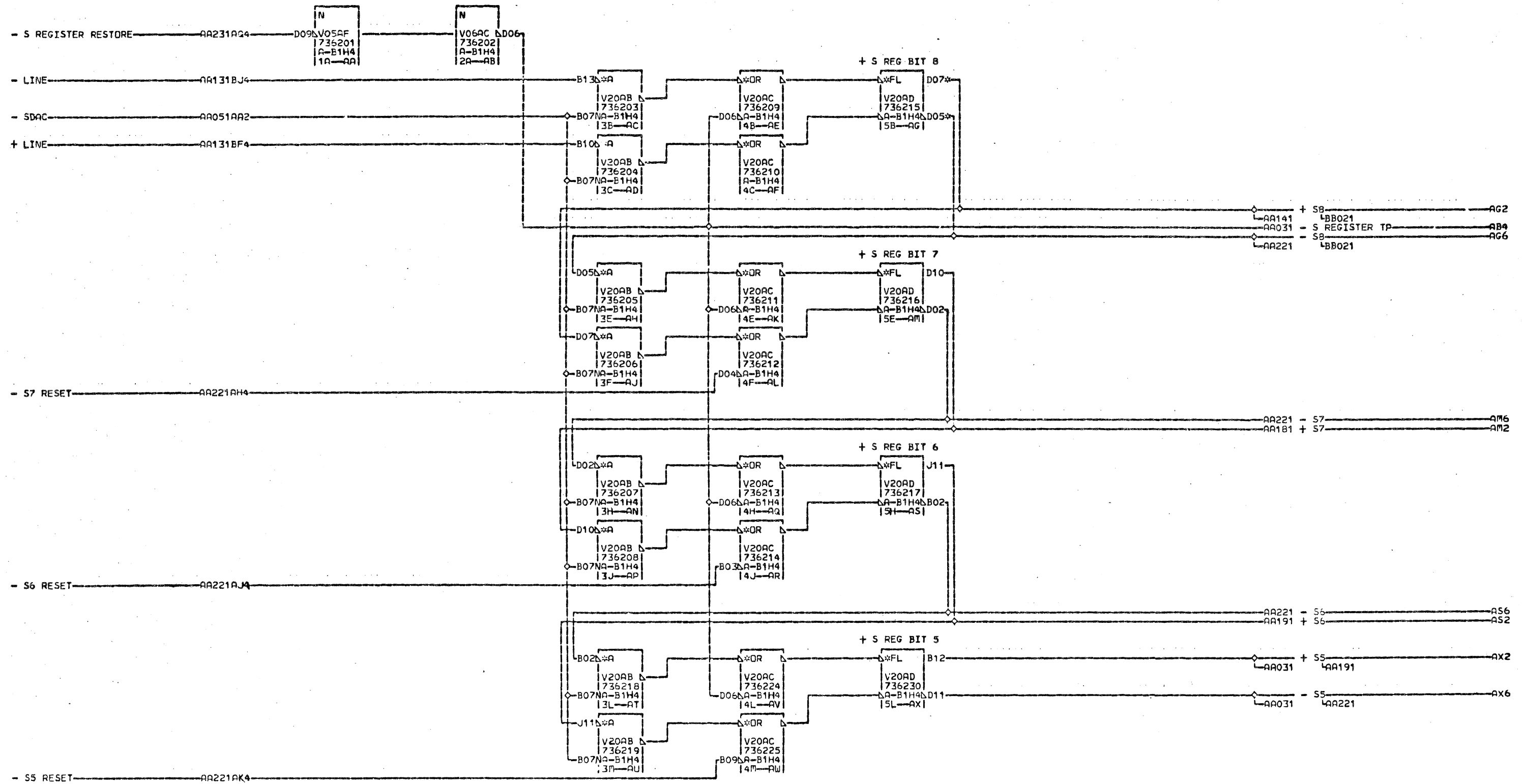
LINE CODE  
BIT ORDER  
\* NUMBERS ALSO REPRESENT REGISTER POSITIONS

3 4 5 6  
0 0 0 0  
0 0 0 1  
0 0 1 0  
0 0 1 1  
0 1 0 0  
0 1 0 1  
0 1 1 0  
0 1 1 1  
1 0 0 0  
1 0 0 1  
1 0 1 0  
1 0 1 1  
1 1 0 0  
1 1 0 1  
1 1 1 0  
1 1 1 1

12	12	12	12
00	01	10	11
SP	*	-	▼
SP	*	⚡	▼
1	/	J	A
	/	B	↑
2	S	K	B
2	s	k	Ⓣ
3	T	L	C
3	t	l	Ⓛ
4	U	M	D
4	u	m	D
5	V	N	E
5	v	n	E
6	W	O	F
6	w	o	F
7	X	P	G
7	x	p	G
8	Y	Q	H
8	y	q	H
9	Z	R	I
9	z	r	I
0			
0			
±	,	-	.
+	,	-	.
	INDEX	CR	TAB
UC SHIFT	EOB	BK SP	LC SHIFT
EOT			

DATE	E.C. NO.	DATE	E.C. NO.	CODE AND MODE
16 FEB 67	506881-M			CHART
				PART NO. 1186640   PAGE NO. 0150
				IBM 1971





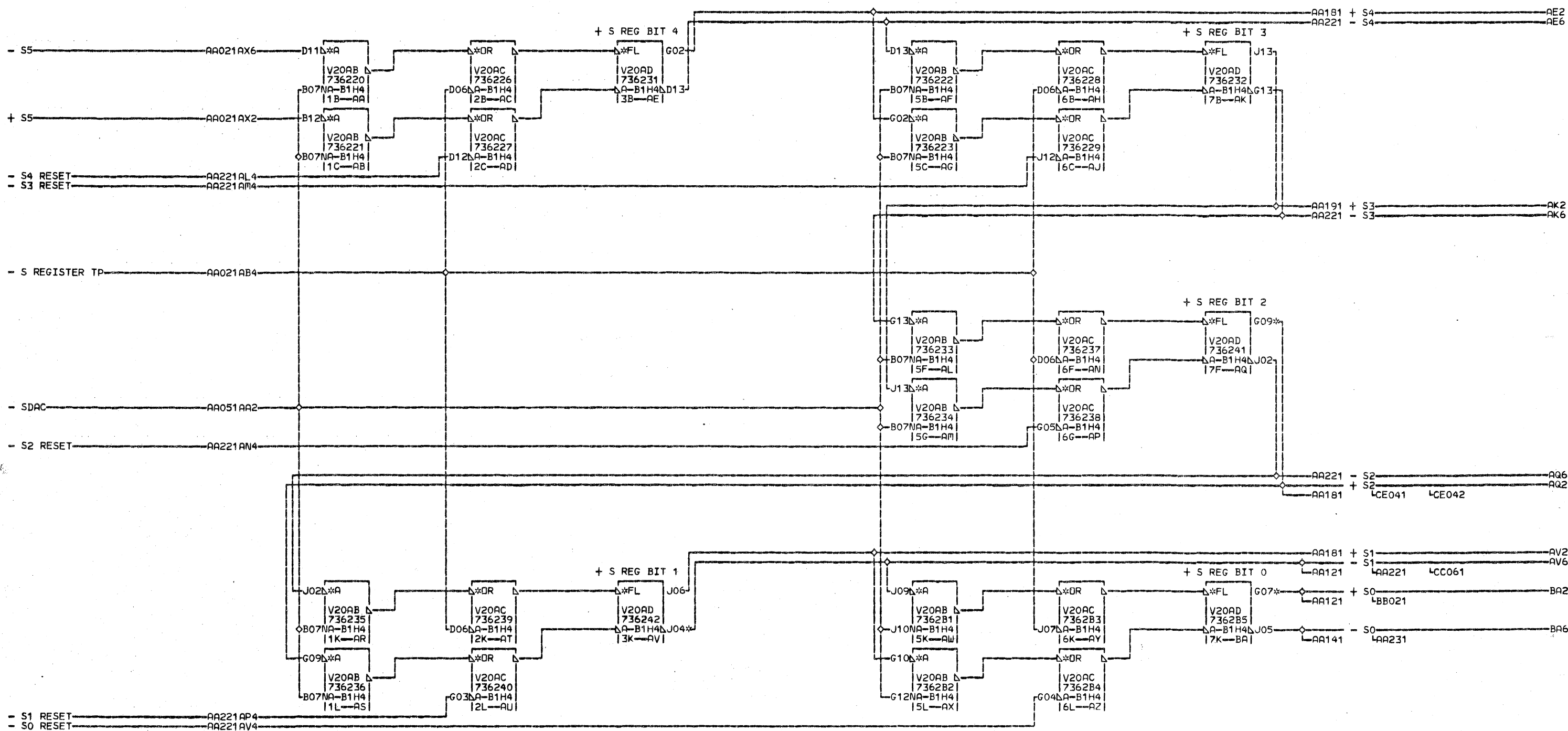
AG2 A-A1N7D13  
 O1A-B1A7D13  
 AG5 A-A1M4D07  
 O1A-B1B4D07

11-15-66 506775A

S REGISTER			
DATE	03-09-67	MACH.	1971
LOG	1164	FRAME	01
		P.N.	1176165
IBM CORP.	LX	BLK.	AY

AA021

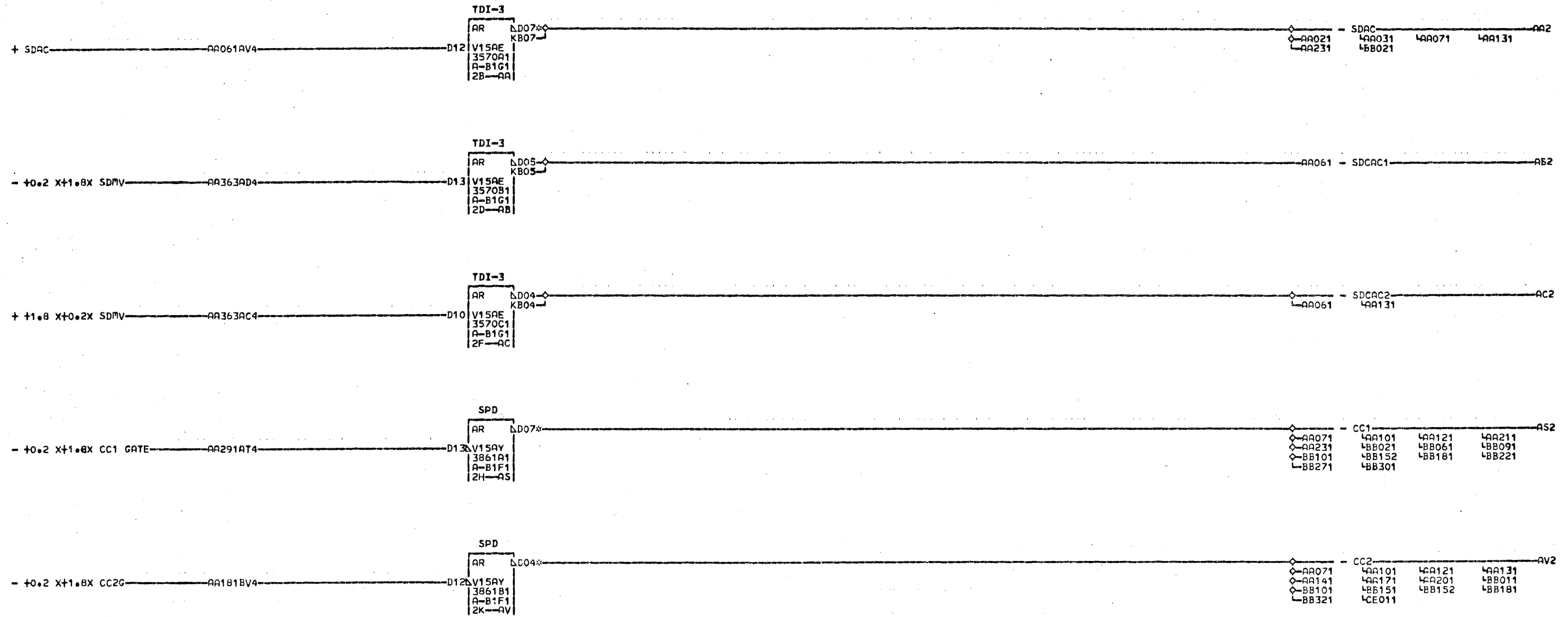
AA021



AQ2 A-B1B1D11  
 AV6 A-B1N4D05  
 01A-C1B5D05  
 BA2 A-A1N2D07  
 01A-B1A2D07

11-15-66 506775A  
 03-12-68 307158

S REGISTER			
DATE	05-16-68	MACH.	1971
LOG	821	FRAME	01
		P.No.	1176166
IBM CORP.	LX	BLK.	BB



AA051

000

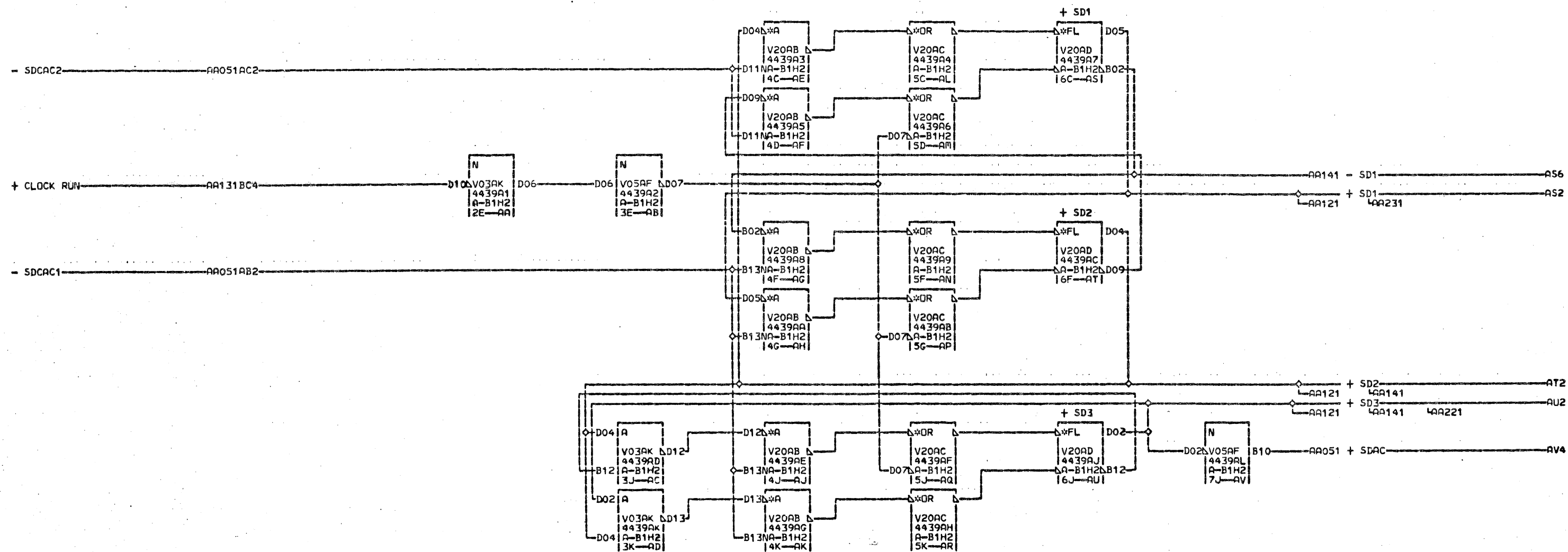
AA2 A-A1N2B07  
 01A-B1A2B07  
 AS2 A-A1N3B11  
 01A-B1A3B11  
 AV2 A-A1N3D13  
 01A-B1A3D13  
 01A-B1B1D05

03-11-66 506775  
 11-15-66 506775A

TDI AND SPD			
DATE	03-09-67	MACH.	1971
LOG	1164	FRAME	01
		P.N.	117620*
IBM CORP.	LX	BLK.	AW

AA051

000

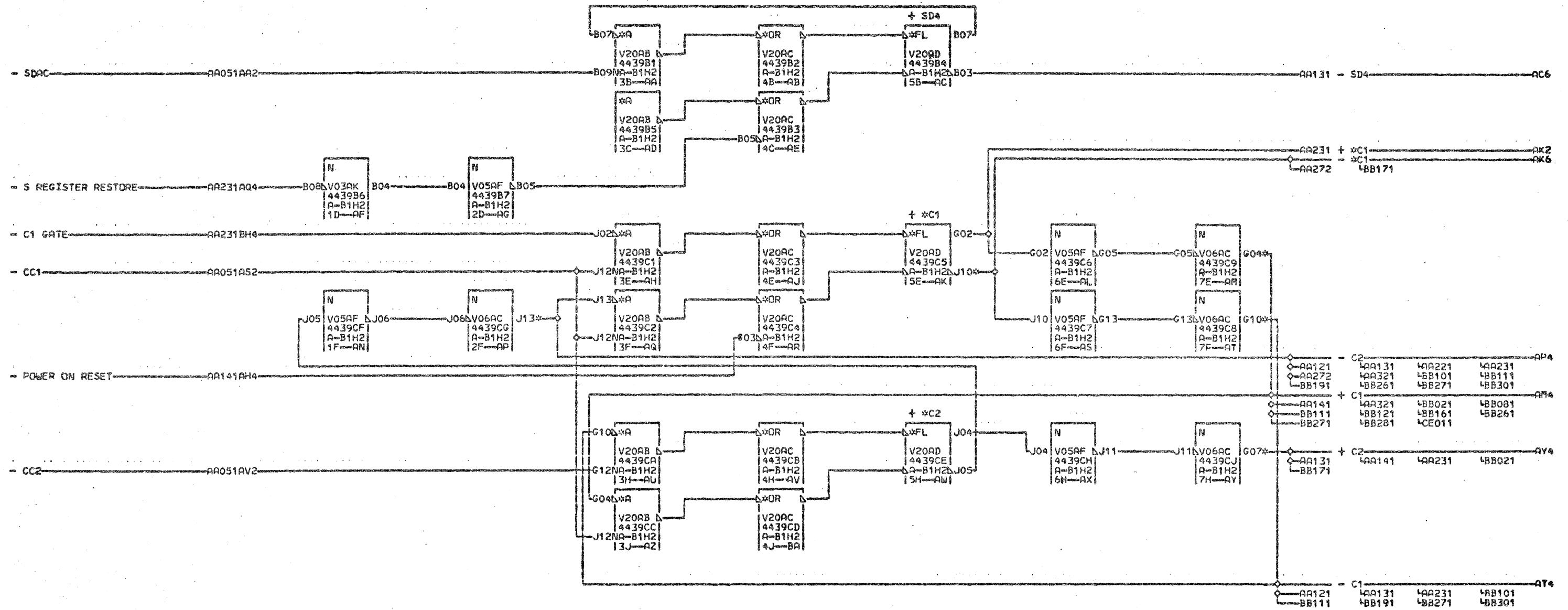


11-15-66 506775A

AA061  
000

CLOCK SYSTEM			
DATE	03-09-67	MACH.	1971
LOG	1164	FRAME	01
		P.N.	1176205
IBM CORP.	LX	BLK.	AW

AA061  
000



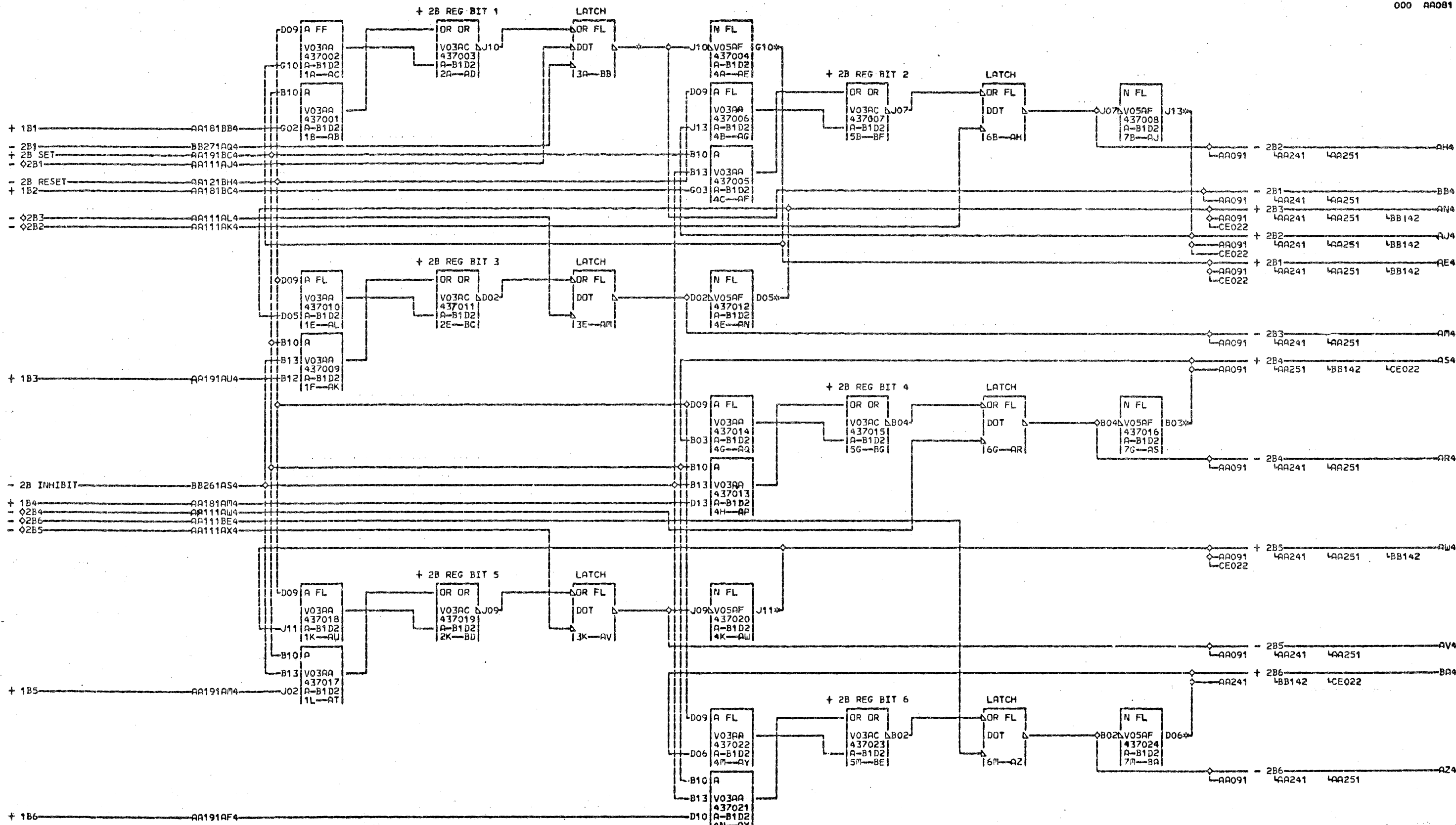
AK6 A-A1N4D05 AY4 A-A1N6B08  
 O1A-B1A4D05 O1A-B1A5B08  
 AR4 A-A1N5D11  
 O1A-B1A5D11  
 O1A-B1B1B02  
 AP4 A-A1N6B10  
 O1A-B1A6B10  
 AT4 A-A1M4B13  
 O1A-B1B4B13

11-15-66 506775A

CLOCK SYSTEM  
 DATE 03-09-67 MACH. 1971  
 LOG 1164 FRAME 01  
 P.N. 1176400  
 IBM CORP. LX BLK. BB

000





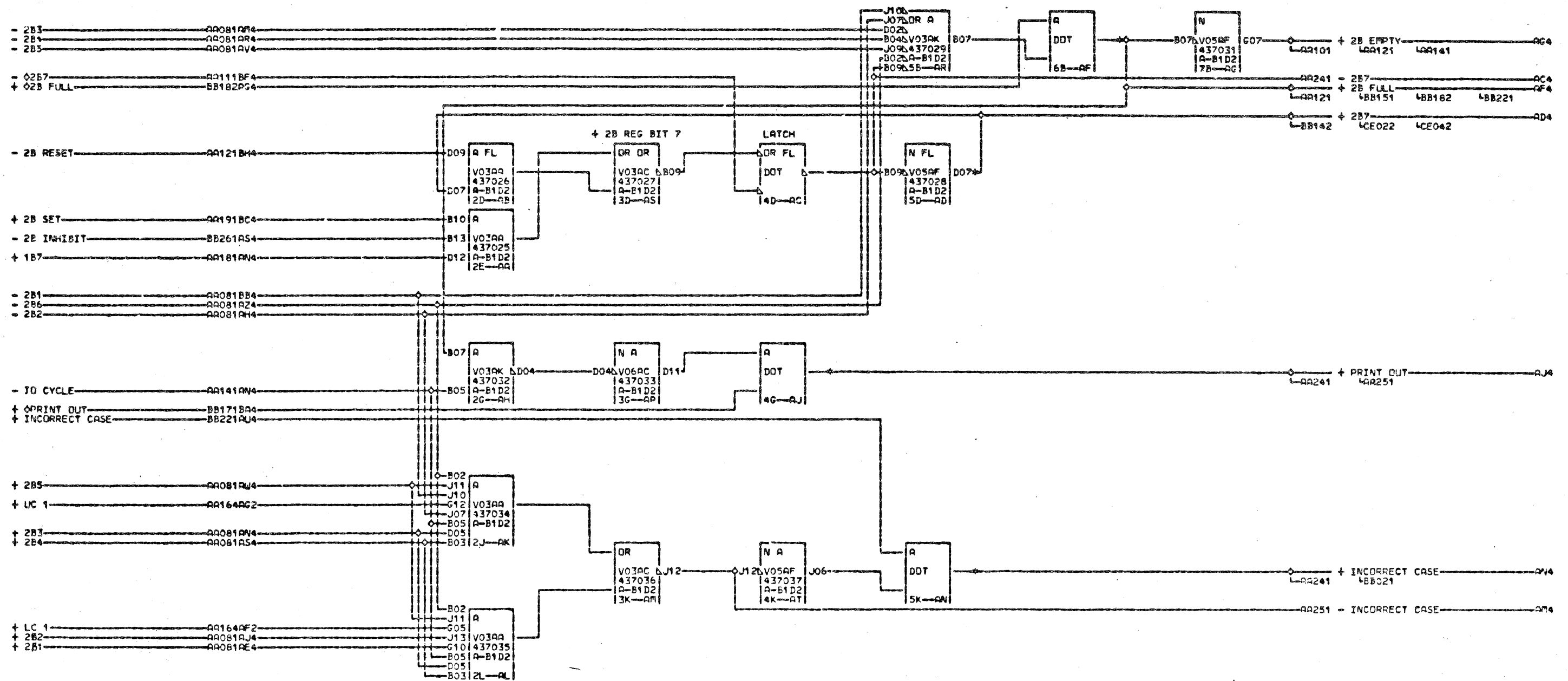
AE4 A-A1N5D07 AS4 A-A1M4D11 BA4 A-A1M5B07  
 01A-B1A5D07 01A-B1B4D11 01A-B1B5B07  
 01A-B1D1B05 01A-B1D1B03  
 AJ4 A-A1M5B12 AW4 A-A1M5B03  
 01A-B1A5B12 01A-B1B5B03  
 01A-B1D1B07 01A-B1D1D04  
 AN4 A-A1N7D09 BA4 A-A1M4B12  
 01A-B1A7D09 01A-B1B4B12  
 01A-B1D1B04 01A-B1D1D02

06-07-66 506775  
11-15-66 506775A

2-B REGISTER		
DATE	03-09-67	MACH. 1971
LOG	1164	FRAME C1
	PcNo 1176401	
IBM CORP.	LX BLK.	BH

AA081  
000

AA081  
000

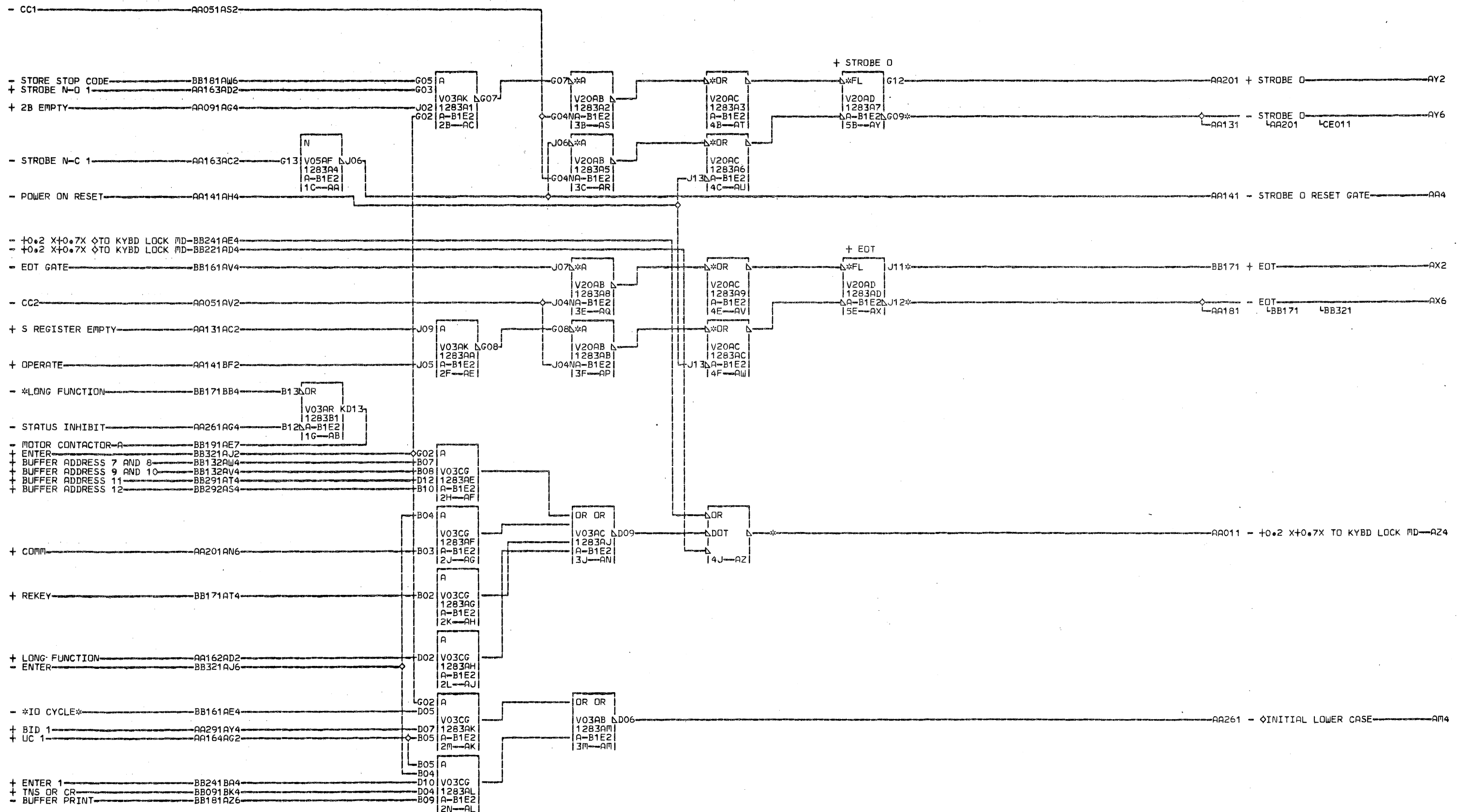


366  
A  
0  
9  
1  
000

AD4 A-A1M4B02  
01A-B1B4B02  
01A-B1D1B02  
AF4 A-A1M4E04  
01A-B1E4E04  
AJ4 A-A1M1B05  
01A-B1A1B05  
AN4 A-A1M1B03  
01A-B1A1B03

08-11-66 506775  
11-15-66 506775A  
06-15-67 306767

2-B REGISTER			
DATE	06-29-67	MACH.	1971
LOG	101	FRAME	01
		PaNo	1176402
IBM CORP.	LX	BLK.	AJ

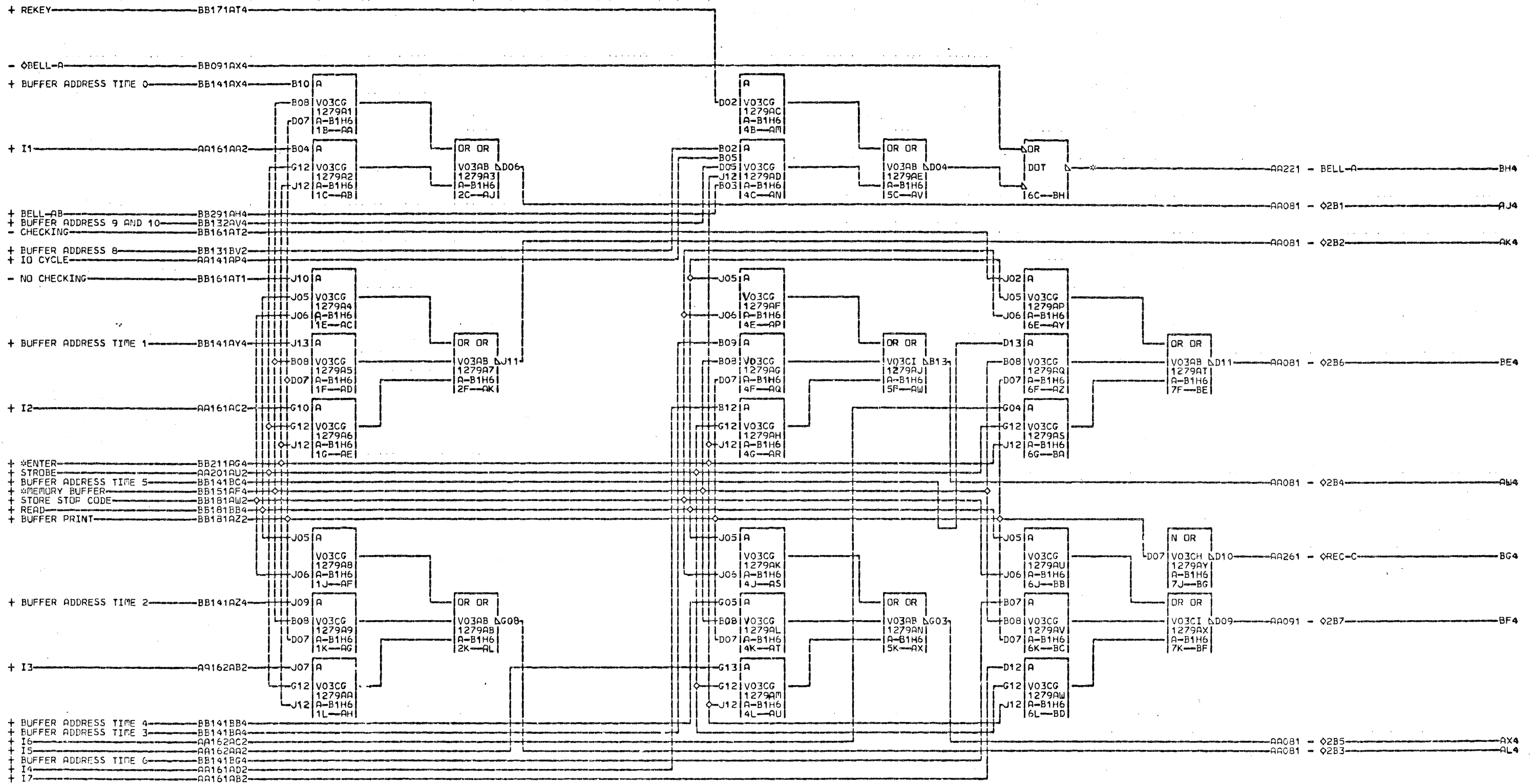


A  
A  
1  
0  
1  
000

AX2 A-A1N1D03  
01A-B1A1D03  
AX6 A-A1M4B03  
01A-B1B4B03  
AY6 A-B1B1D06  
AZ4 A-A1N4D10  
01A-B1A4D10

08-11-66 506775  
11-15-66 506775A  
06-15-67 306767  
03-12-68 307158

BUFFER 9			
DATE	05-16-68	MACH.	1971
LOG	105	FRAME	01
		P.N.	1176253
IBM CORP.	LX	BLK.	BA



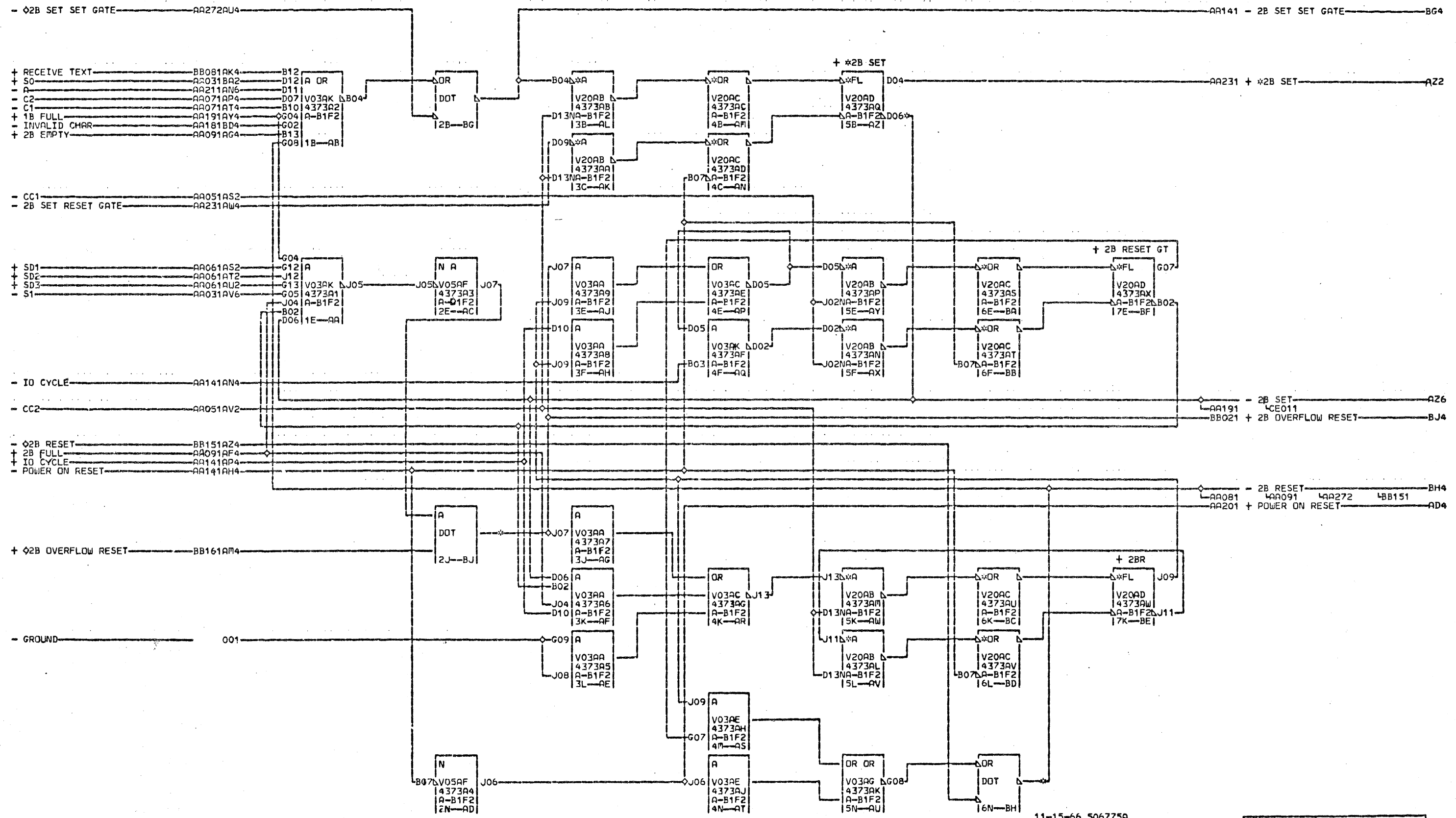
A  
 A  
 1  
 1  
 1  
 000

BH4 A-A1M5B05  
 01A-B1B5B05

07-12-66 506775  
 11-15-66 506775A

BUFFER 2			
DATE	03-09-67	MACH.	1971
LOG	1154	FRAME	01
		P.N.	1176254
IBM CORP.	LX	BLK.	BU

A  
A  
1  
1  
1  
000



AZ6 A-B1B1D04  
 BH4 A-A1M5D13  
 01A-B1B5D13  
 BJ4 A-A1M4B08  
 01A-B1B4B08

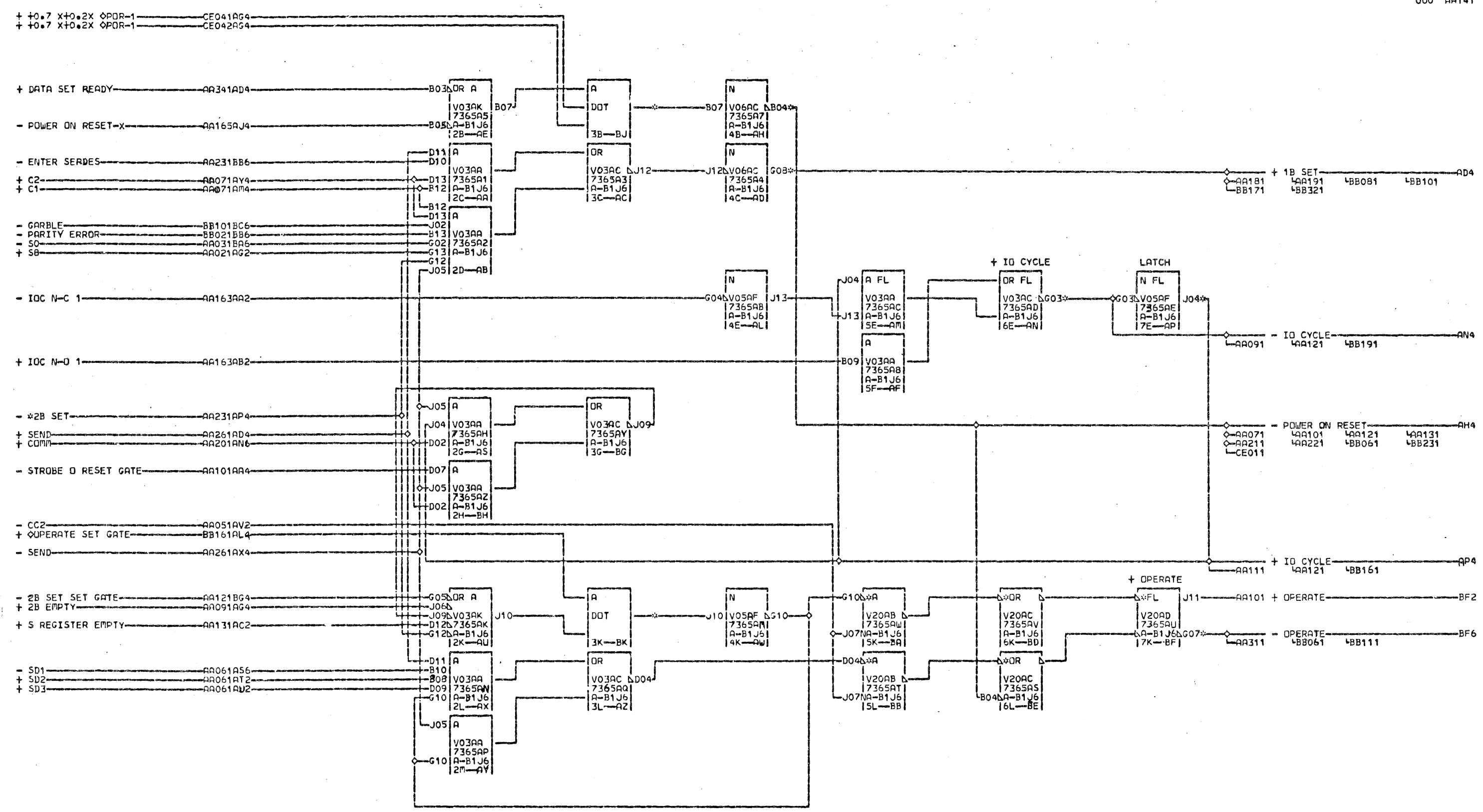
11-15-66 506775A

LOGIC CARD B	
DATE	03-09-67 MACH. 1971
LOG	1164 FRAME 01
	P.N. 1176403
IBM CORP.	LX BLK. BK

AA121  
000

AA121  
000





1070114-202027303660421  
 0424-Y  
 A  
 1  
 4  
 1  
 000

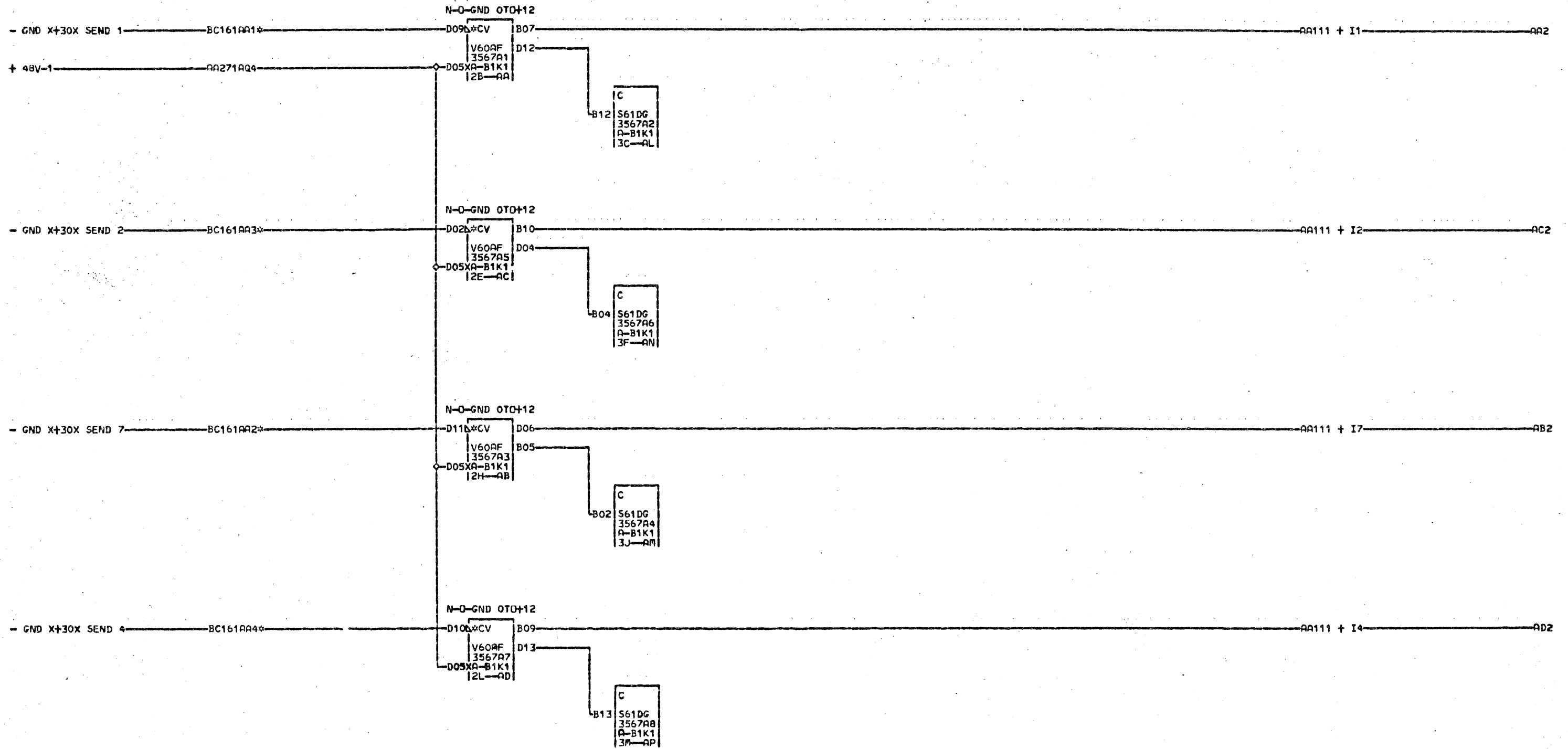
AD4 A-A1N5D12 BF6 A-A1M5D04  
 01A-B1A5D12 01A-B1B5D04  
 AA4 A-B1B1B05 BJ4 A-B1C1B10  
 01A-A1N5B11 01A-B1D1B10  
 01A-B1A5B11 BK4 A-A1N3B07  
 AN4 A-A1N2D11 01A-B1A3B07  
 01A-B1A2D11  
 AP4 A-A1M5D11  
 01A-B1E5D11

08-11-66 506775  
 11-15-66 506775A

LOGIC CARD 12A			
DATE	03-09-67	MACH.	1971
LOG	1164	FRAME	01
		P.N.	1176104
IBM CORP.	LX	BLK.	BL

A  
A  
1  
4  
1  
000





AA161  
000

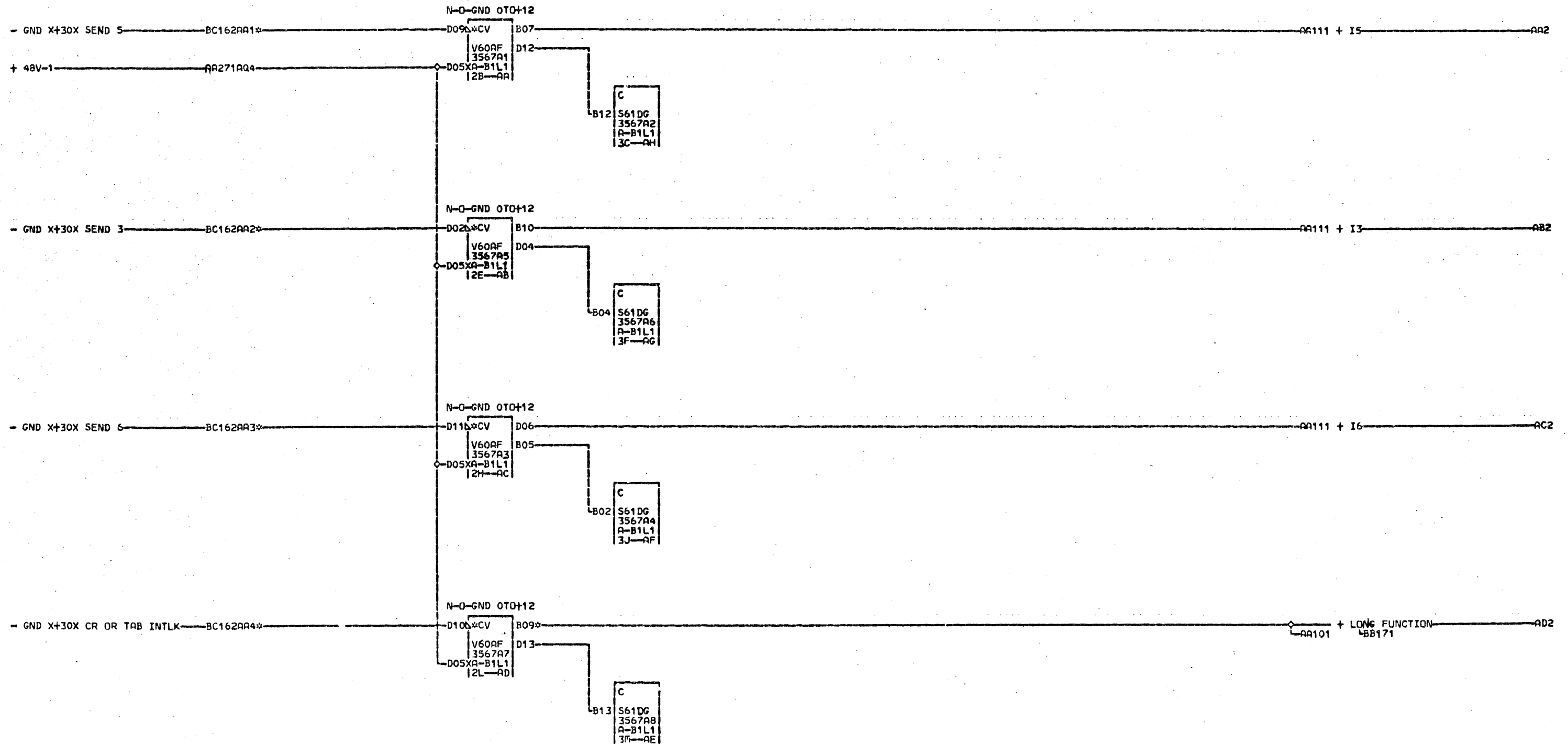
BC161AA1  
01A-B1N1B07  
BC161AA2  
01A-B1N1D07  
BC161AA3  
01A-B1N1B03  
BC161AA4  
01A-B1N1D06

06-07-66 506775

INTEGRATORS-48V-0.68			
DATE	03-09-67	MACH.	1971
LOG	0875	FRAME	01
		PeN.	1176159
IBM CORP.	LX	BLK.	AX

AA161  
000





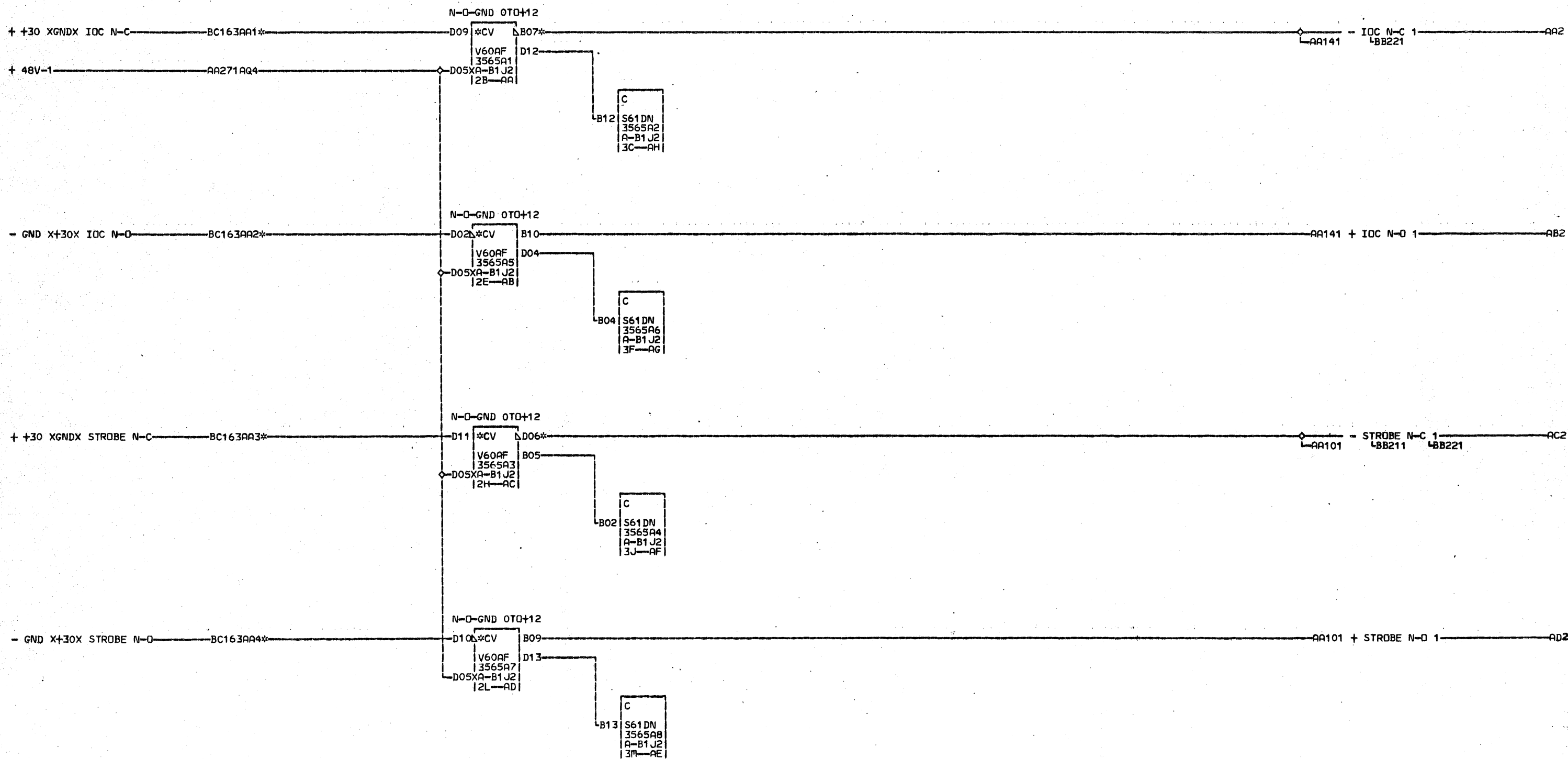
AA162

BC162AA1 01A-B1M1B05  
 BC162AA2 01A-B1M1B02  
 BC162AA3 01A-B1M1B08  
 BC162AA4 01A-B1M1B08  
 AD2 A-A1M5B08

06-07-66 506775  
 11-15-66 506775A

INTEGRATORS 48V-0.68  
 DATE 03-09-67 MACH. 1971  
 LOG 1164 FRAME 01  
 P.N. 1176160  
 IBM CORP. LX BLK. AJ

AA162



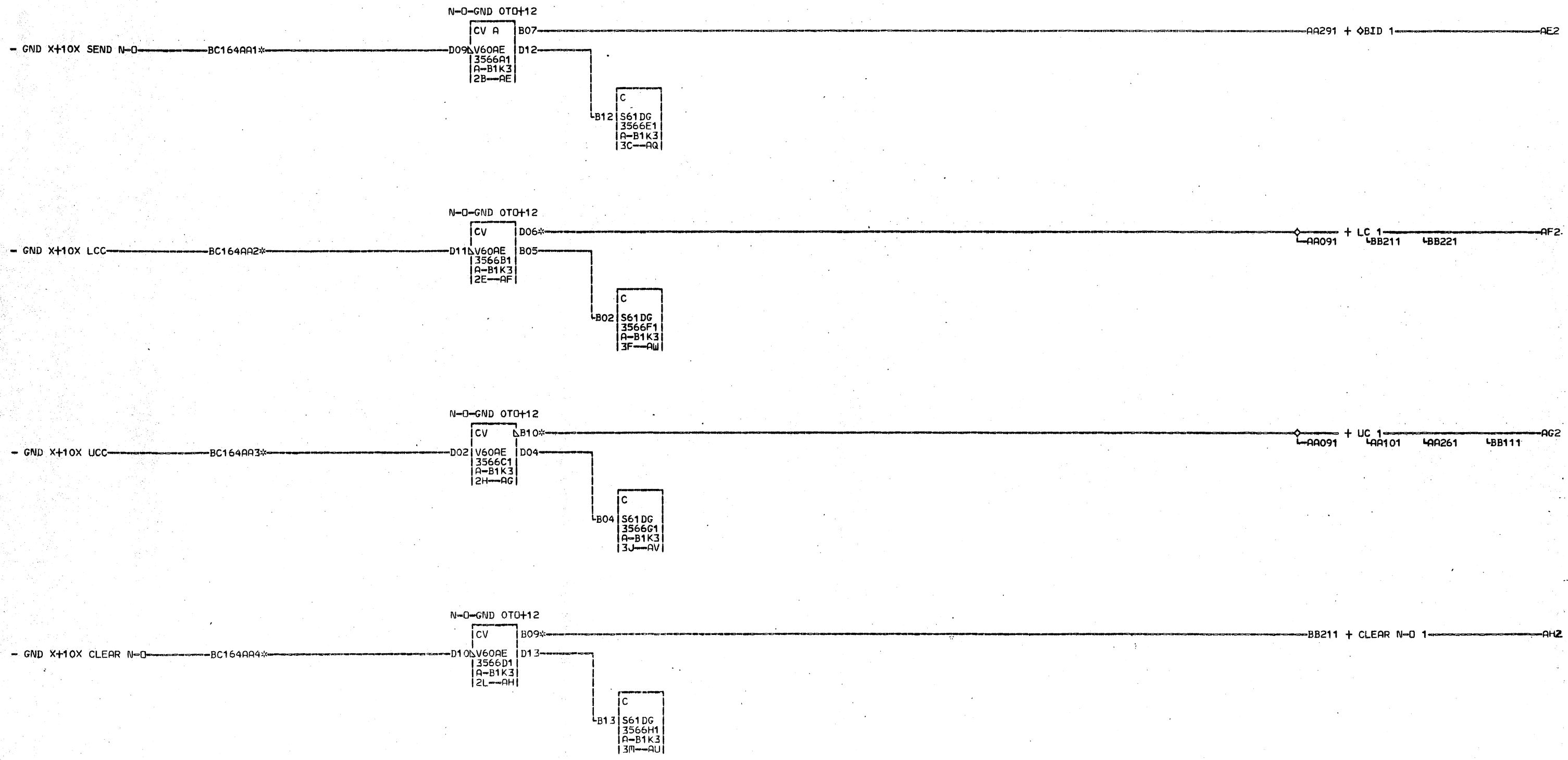
AA163

BC163AA1 01A-B1B6D04  
 01A-B1M1B07 AC2 A-A1N5D05  
 BC163AA2 01A-B1A5D05  
 01A-B1N1B02  
 BC163AA3  
 01A-B1N1B10  
 BC163AA4  
 01A-B1N1B09  
 AA2 A-A1M6D04

07-12-66 506775  
 10-30-67 306846

INTEGRATORS 48V-0.1			
DATE	11-07-67	MACH.	1971
LOG	104	FRAME	01
		P.N.	1176161
IBM CORP.	LX	BLK.	AJ

AA163



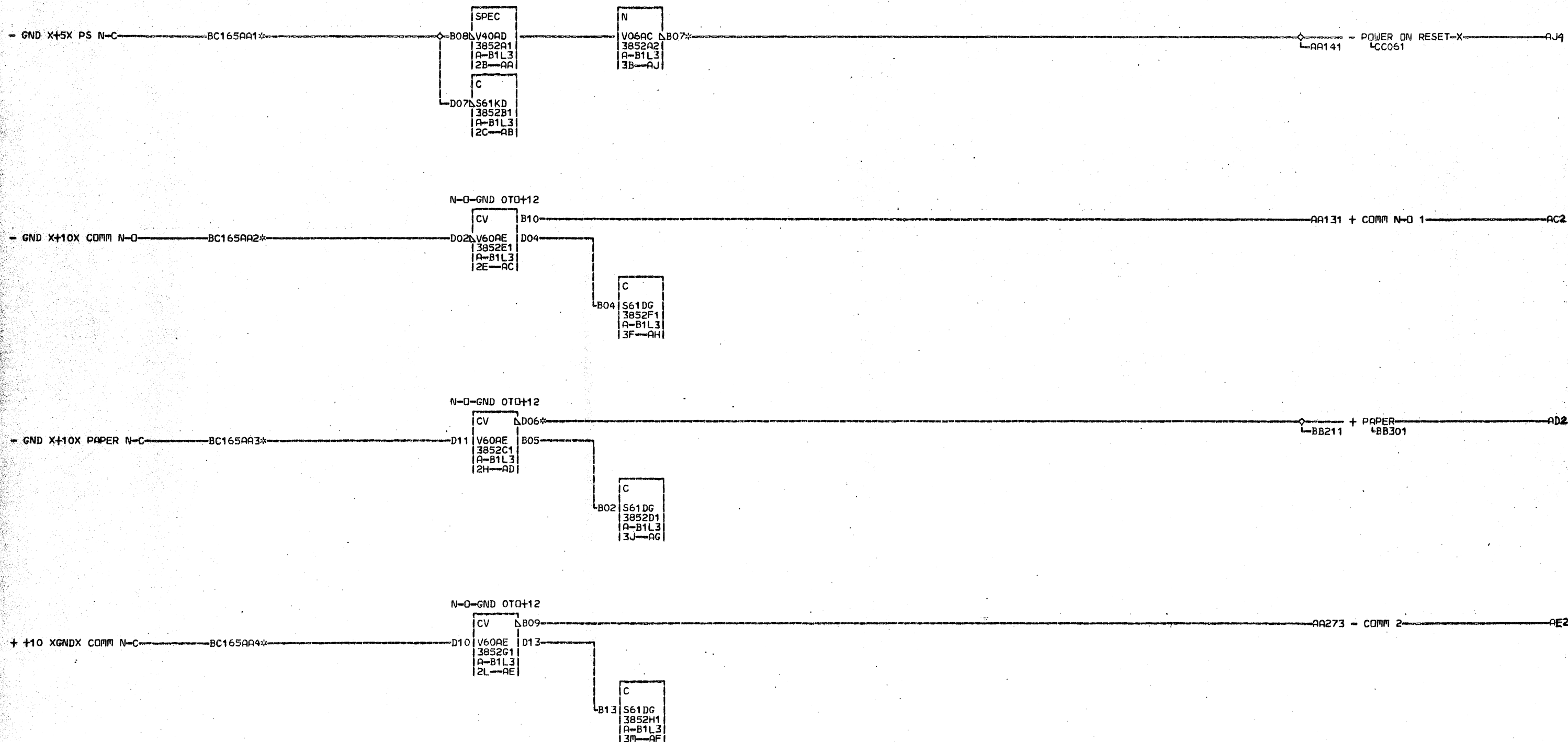
352Q356Q366Q368Q386Q397Q406W  
 A  
 A  
 1  
 6  
 4  
 000

BC164AA1 01A-B1A4D12  
 01A-B1N1D09 AG2 A-A1M4B07  
 BC164AA2 01A-B1B4B07  
 01A-B1N1D11 AH2 A-A1M4B09  
 BC164AA3 01A-B1B4B09  
 01A-B1N1D02  
 BC164AA4  
 01A-B1N1D10  
 AF2 A-A1N4D12

07-12-66 506775  
 11-15-66 506775A  
 06-15-67 306767  
 10-02-67 306846

INTEGRATORS=12V-0.68		
DATE	11-07-67	MACH. 1971
LOG	102A FRAME	01
	P.N.	1176162
IBM CORP.	LX BLK.	AXI

000



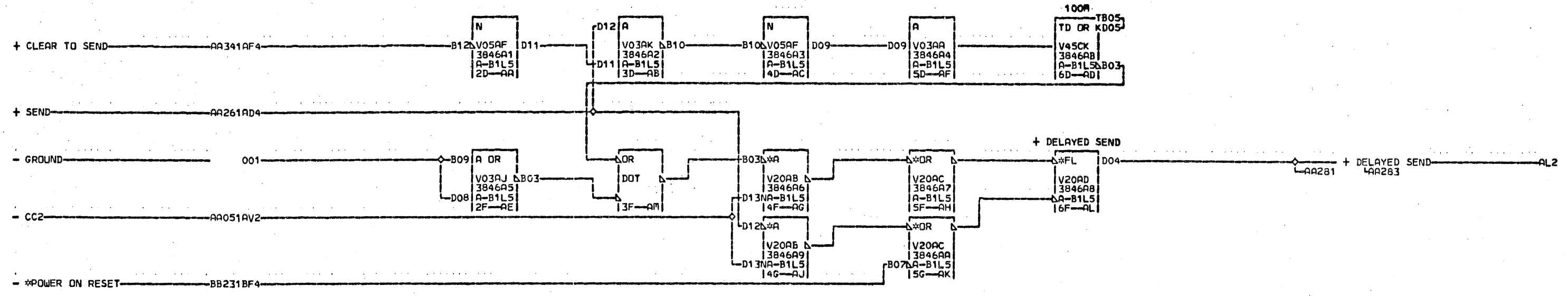
AA165

BC165AA1 01A-B1A5D03  
 01A-B1N2D04 AJ4 A-B1N4B02  
 BC165AA2 01A-B1M1D02  
 BC165AA3 01A-B1M1D11  
 BC165AA4 01A-B1M1D10  
 AD2 A-A1N5D03

06-07-66 506775  
 11-15-66 506775A  
 06-15-67 306767  
 10-05-67 306846

INTEGRATORS-PDR			
DATE	11-07-67	MACH.	1971
LOG	103	FRAME	01
		R.N.	1176163
IBM CORP.	LX	BLK.	AK

AA165



2770307A

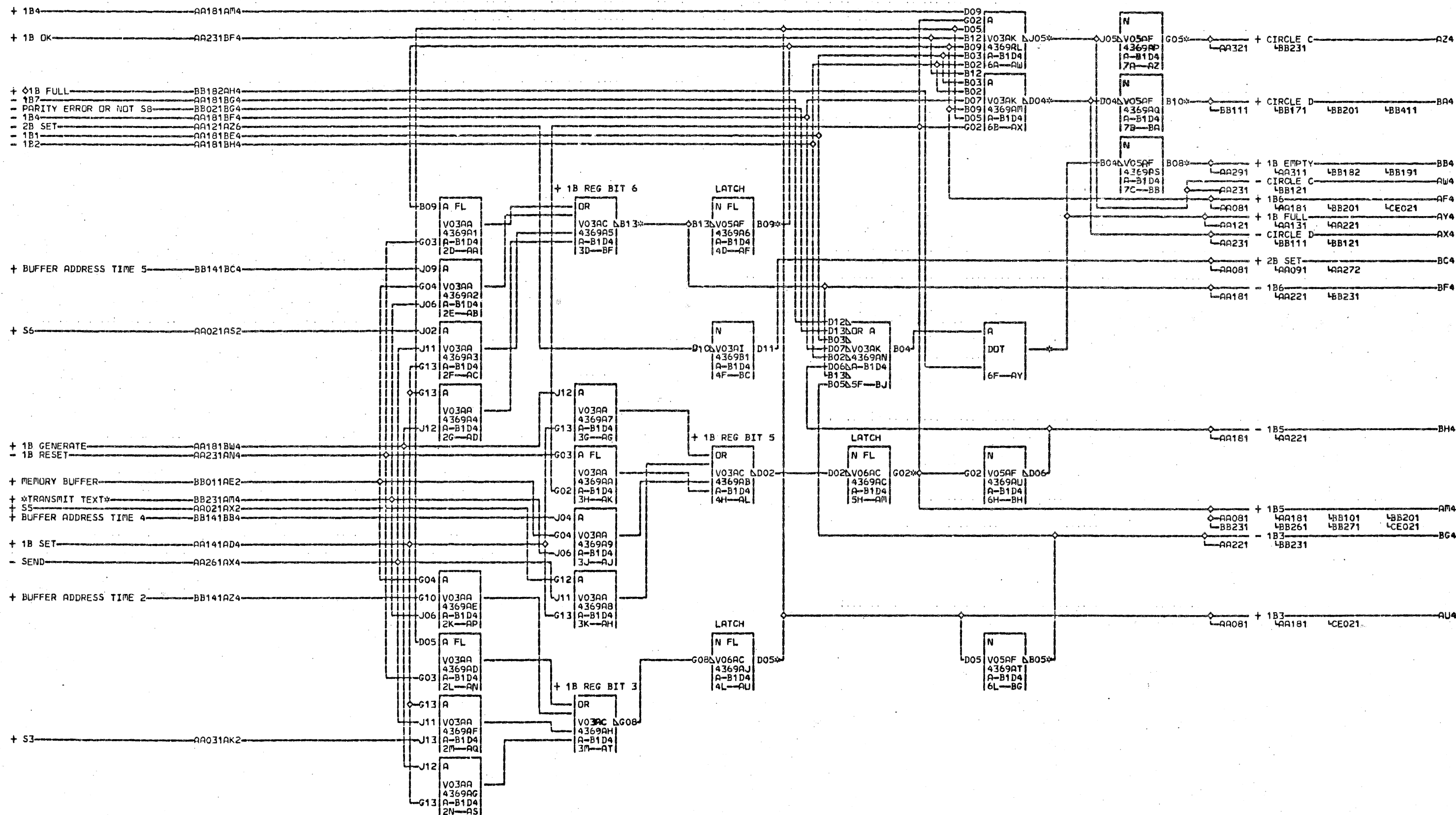
11-15-66 506775A

000

REQUEST SEND DELAY			
DATE	03-09-67	MACH.	1971
LOG	1164	FRAME	01
		P.N.	1186492
IBM CORP.	LX	BLK.	AN

AA171





43A0348  
 A  
 1  
 9  
 1  
 000

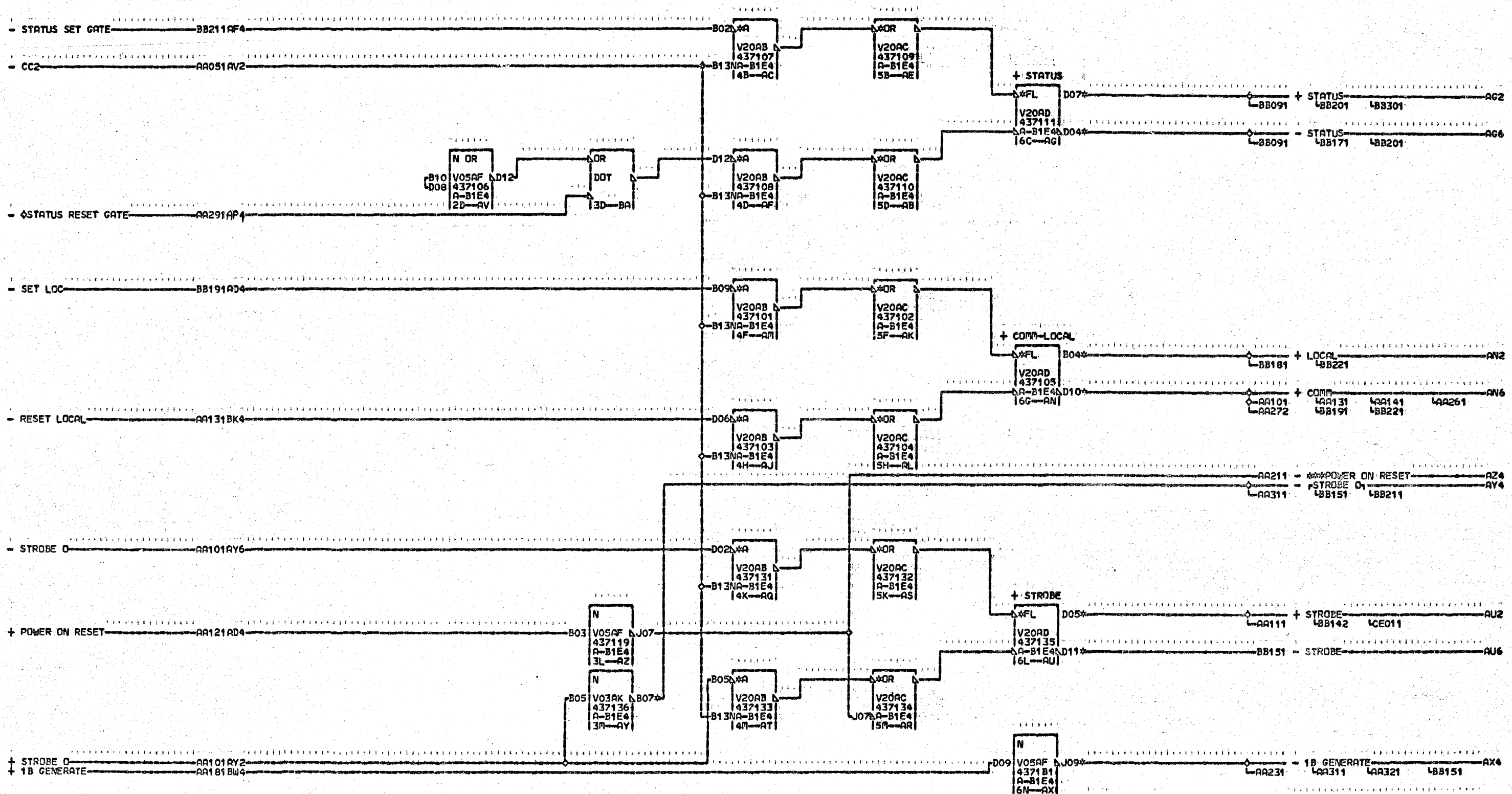
AFA A-B1C1D02 AX4 A-A1N7D02 01A-B1A5B08  
 01A-A1N4B08 01A-B1A7D02 BF4 A-A1N5D02  
 01A-B1A4B08 AY4 A-A1N5B10 01A-B1A5D02  
 AM4 A-B1C1D04 01A-B1A5B10 BG4 A-A1N1B06  
 01A-A1N1B04 AZ4 A-A1N6B13 01A-B1A1B06  
 01A-B1A1B04 01A-B1A6B13  
 AU4 A-B1C1B04 BA4 A-A1N2D10  
 AW4 A-A1N5D09 01A-B1A2D10  
 01A-B1A5D09 BB4 A-A1N5B08

07-12-66 506775  
 11-15-66 506775A

LOGIC CARD 4			
DATE	03-09-67	MACH.	1971
LOG	1164	FRAME	01
		P.N.	1176202
IBM CORP.	LX	BLK.	BK

A  
 1  
 9  
 1  
 000





1680930336033803450348

AG2 A-A1M4D04 01A-B1A7D04  
 01A-B1B4D04 01A-B1B1D02  
 AG6 A-A1M4B05 AU6 A-A1M5B02  
 01A-B1B4B05 01A-B1B5B02  
 AN2 A-A1N7B06 AX4 A-A1N7D05  
 01A-B1A7B06 01A-B1A7D05  
 AN6 A-A1N5D10 AY4 A-A1N2D06  
 01A-B1A5D10 01A-B1A2D06  
 AU2 A-A1N7D04

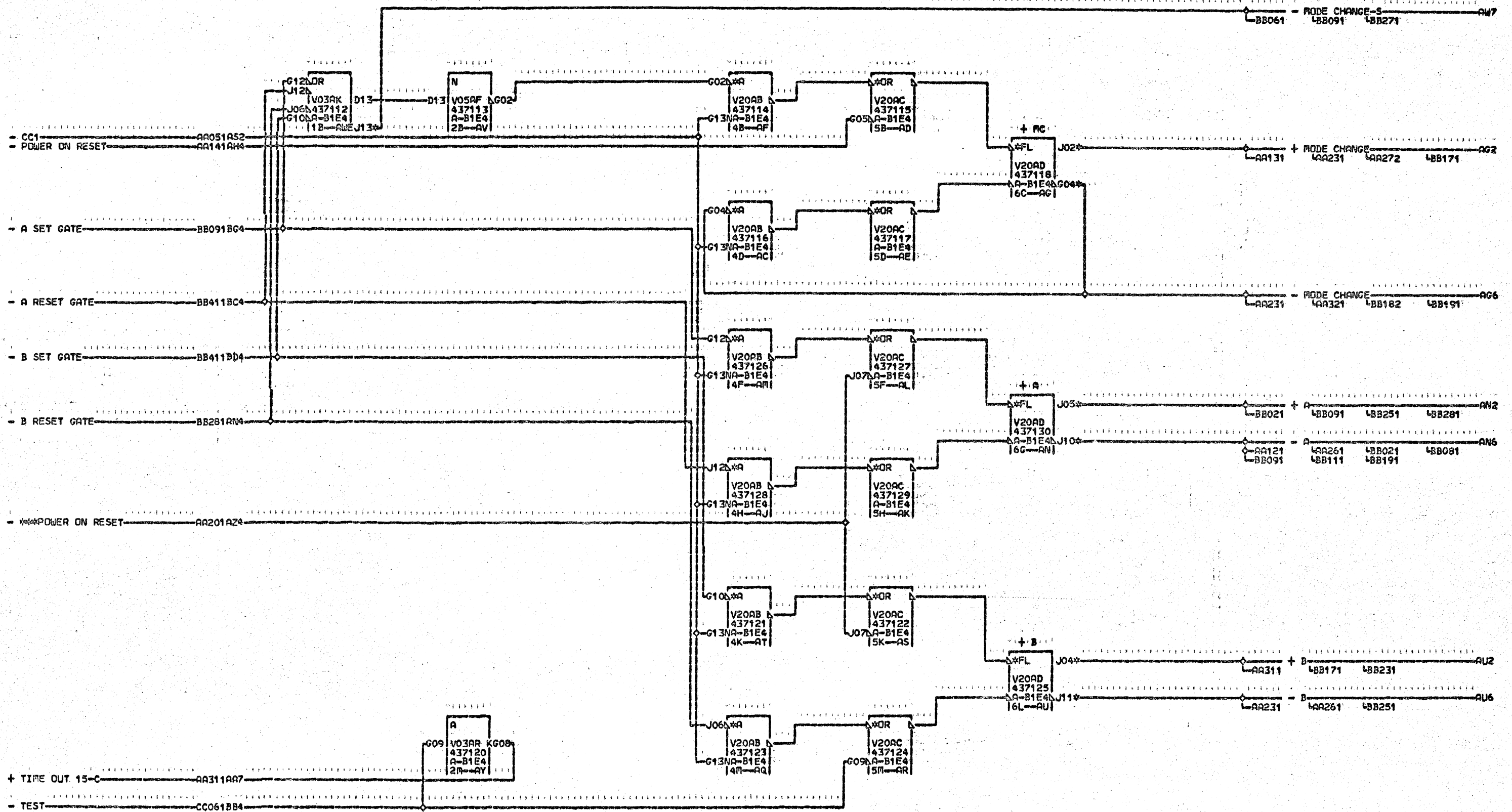
07-12-66 506775  
 11-15-66 506775A  
 06-15-67 306767

LOGIC CARD 6  
 DATE 06-29-67 MACH. 1971  
 LOG 101 FRAME 01  
 P. No. 1186241  
 ITRM CORP. LX BLK. BB

A  
 2  
 0  
 1  
 000

A  
 2  
 0  
 1  
 000





16B0930336033803450348

- AG2 A-A1M5D02
- 01A-B1B5D02
- AG6 A-A1N7B12
- 01A-B1A7B12
- AN2 A-A1N2B10
- 01A-B1A2B10
- AN6 A-A1M4D02
- 01A-B1B4D02
- AU2 A-A1N2B09
- 01A-B1A2B09
- AU6 A-A1N4B06
- 01A-B1A4B06
- AW7 A-A1N4B13
- 01A-B1A4B13

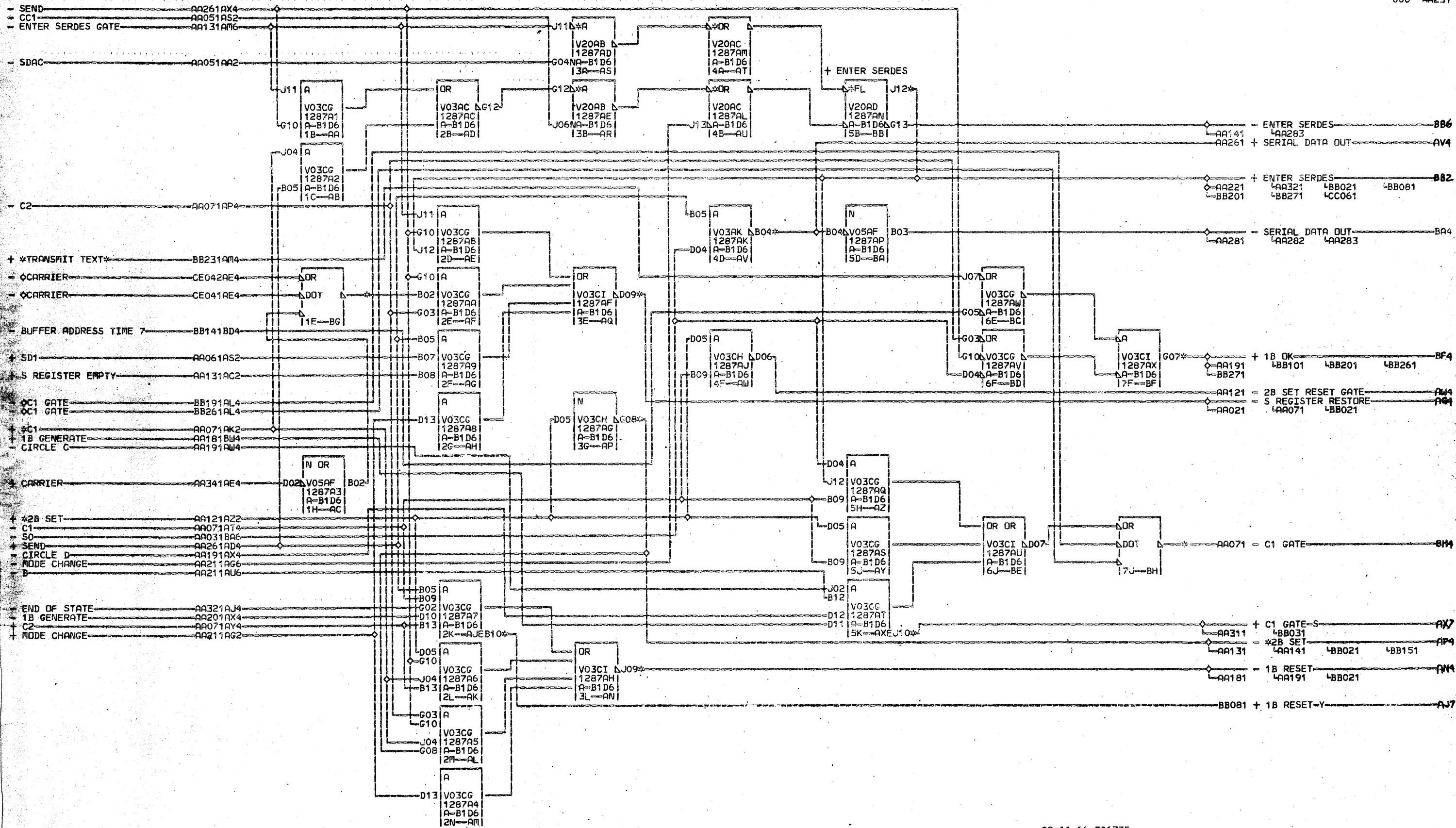
07-12-66 506773  
 11-15-66 506775A  
 06-15-67 306767

LOGIC CARD 6			
DATE	06-29-67	MACH.	1971
LOG	101	FRAME	01
		P.No.	1186242
IBM CORP.	LX	BLK.	AZ

000

AA211





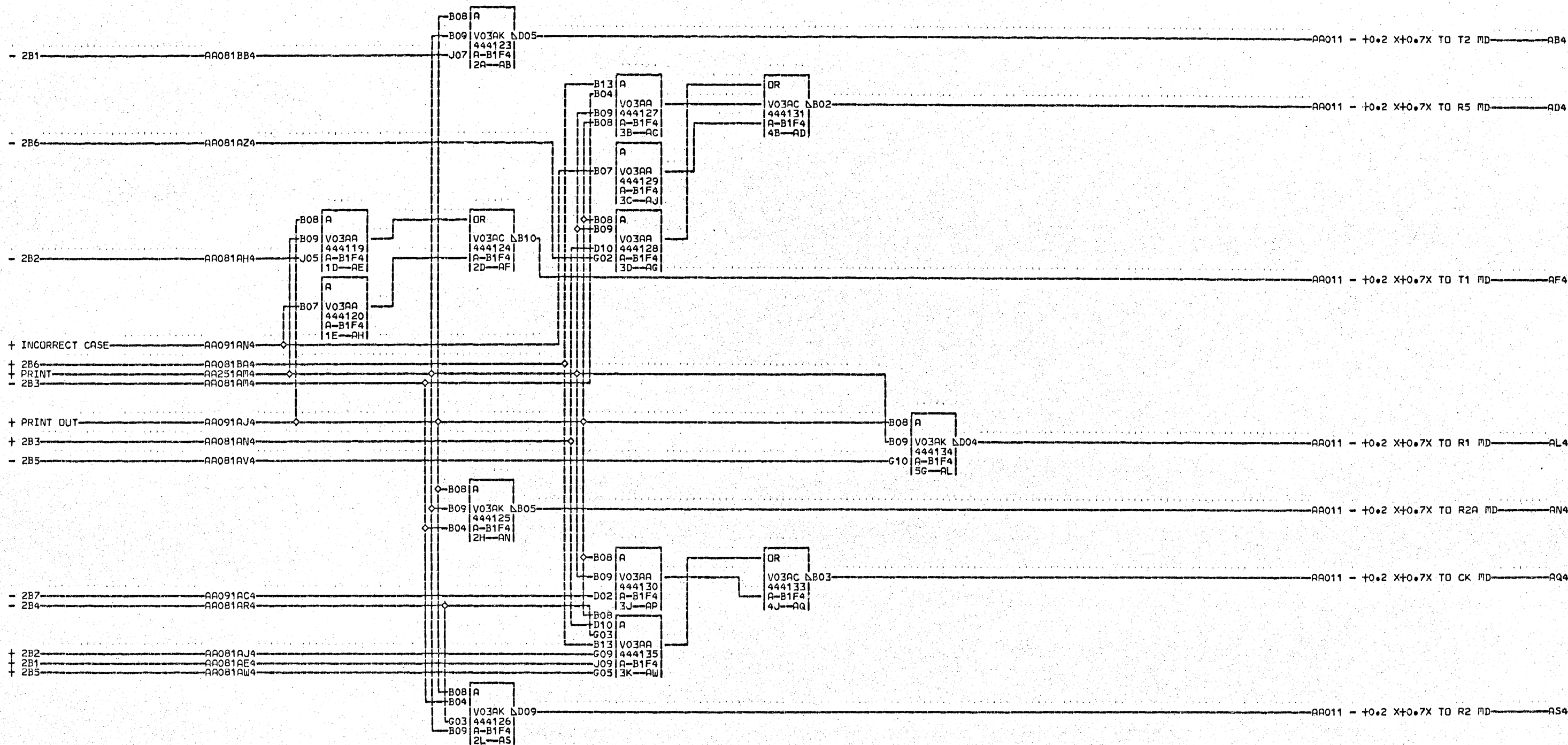
AJ7 A-A1N6D09 AX7 A-A1M4D10 01A-B1D1D11  
 01A-B1A6D09 01A-B1B4D10 BH4 A-A1N6D13  
 AN4 A-A1M5D05 BB2 A-A1N4D09 01A-B1A6D13  
 01A-B1B5D05 01A-B1A4D09  
 AP4 A-A1N7B10 01A-B1N4D04  
 01A-B1A7B10 01A-C1B5D04  
 AQ4 A-A1N2D04 BF4 A-A1N4B11  
 01A-B1A2D04 01A-B1A4B11  
 AV4 A-B1N3B05 BG4 A-B1C1D11

08-11-66 506775  
 11-15-66 506775A  
 10-02-67 306846

BUFFER-10  
 DATE 11-07-67 MACH. 1971  
 LOG 242 FRAME 01  
 P.No 1176255  
 IBM CORP. LX BLK. BU

000  
 222  
 333  
 1

000  
 222  
 333  
 1



2180241

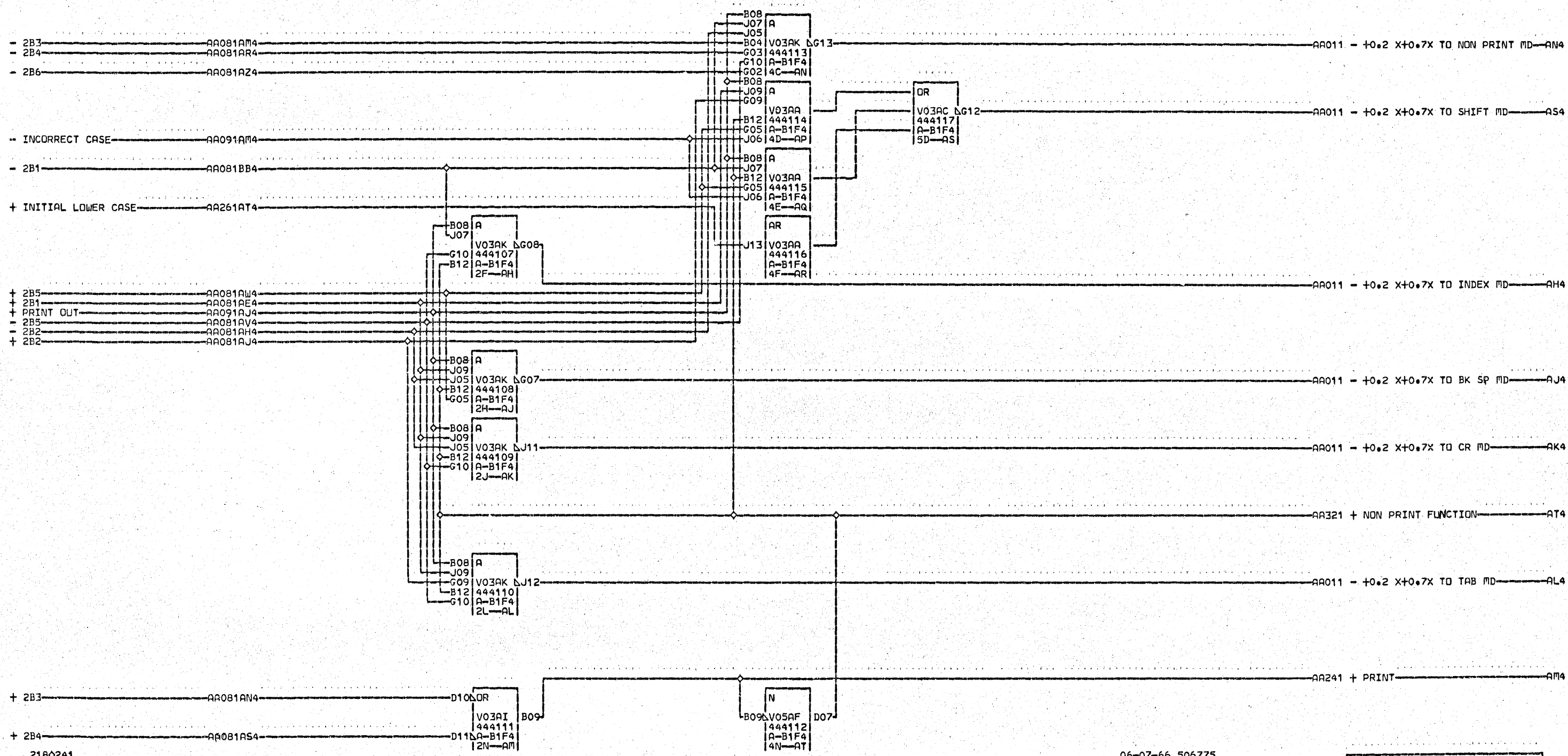
08-11-66 506775  
11-15-66 506775A

AA  
2  
4  
1  
000

OUTPUT DECCDE			
DATE	03-09-67	MACH.	1971
LOG	1164	FRAME	01
		P.N.	1186244
IBM CORP.	LX	BLK.	AX

AA  
2  
4  
1  
000



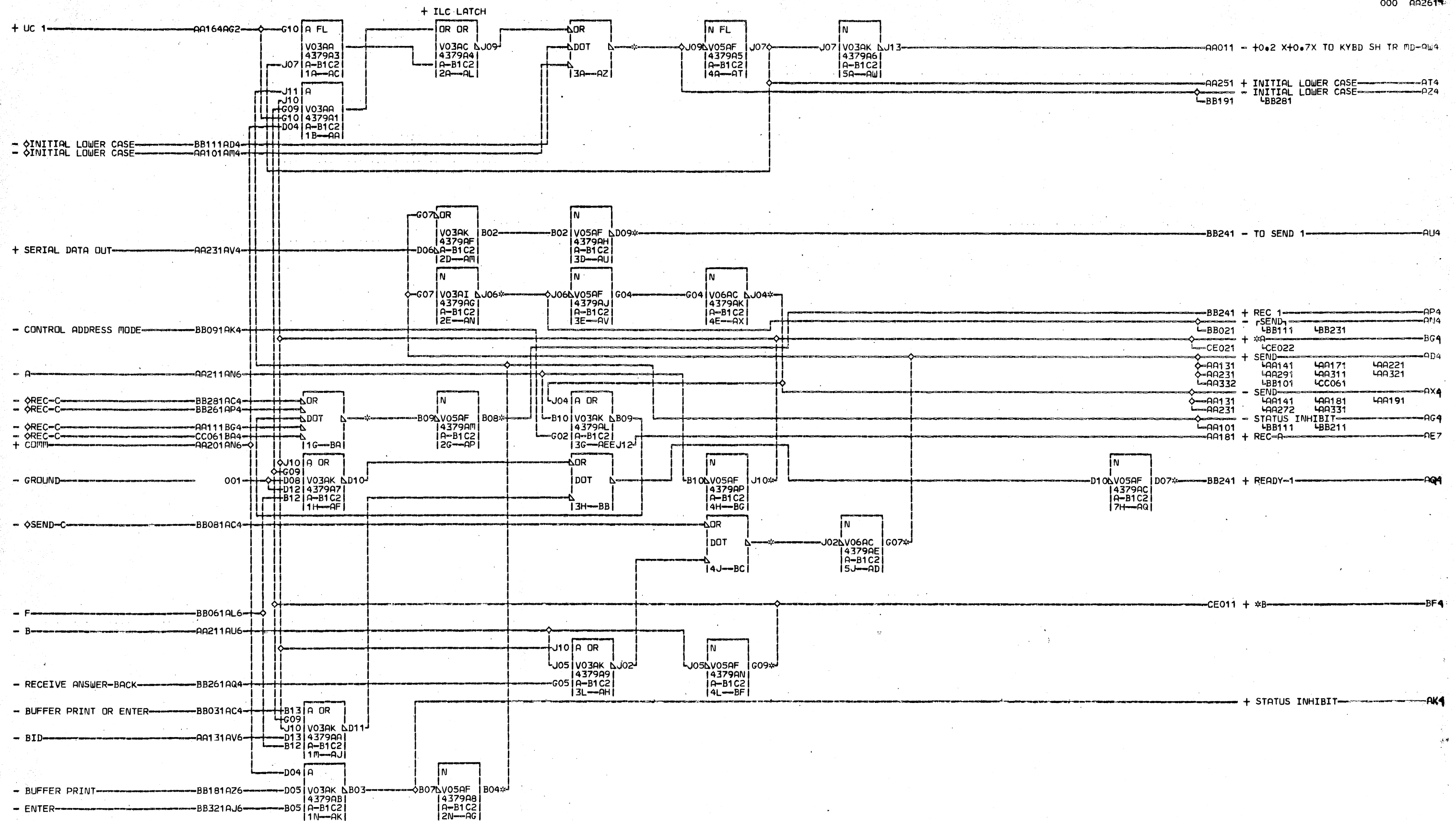


06-07-66 506775  
11-15-66 506775A

OUTPUT DECODE		
DATE	03-09-67	MACH. 1971
LUG	1164	FRAME 01
	P.N.	1186245
IBM CORP.	LX	BLK. AZ

2180241  
A  
UN  
D  
B  
A  
000

A  
UN  
D  
B  
A  
000

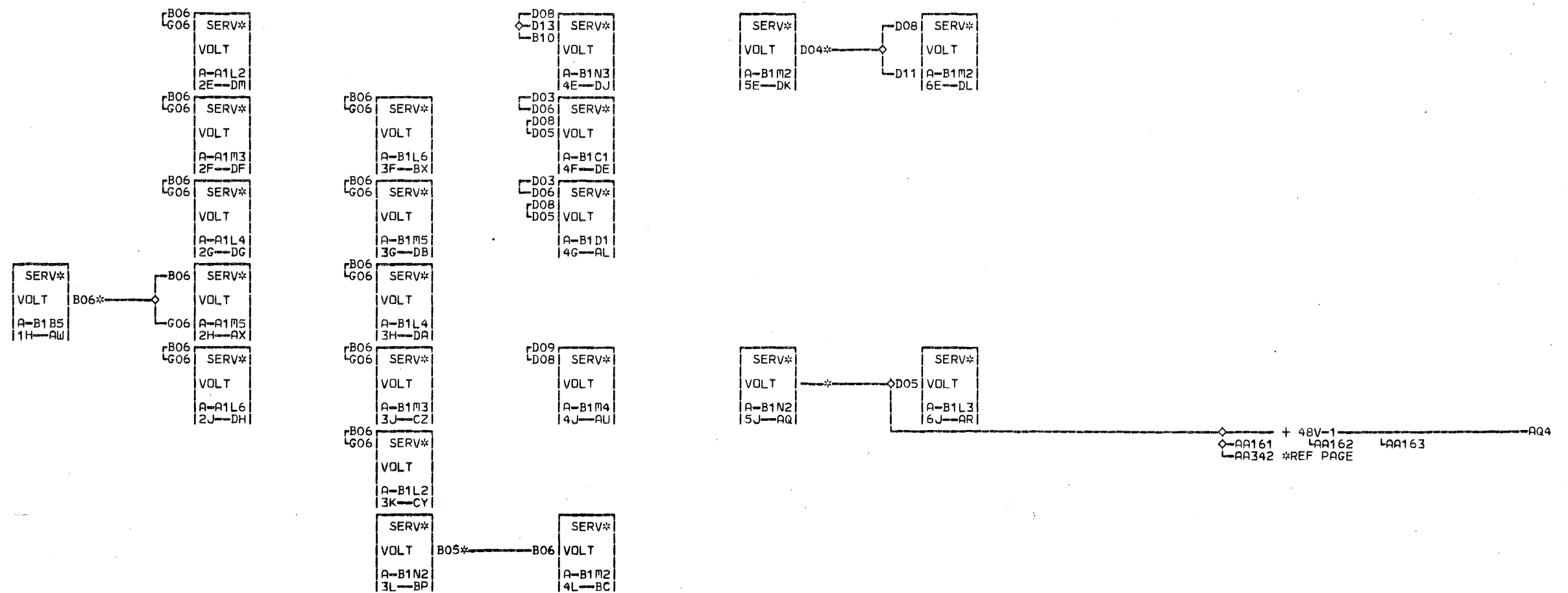


16A0406W

A	AD4 A-A1M5D12	01A-B1B6B04	01A-B1A3B05
A	01A-B1B5D12	AQ4 A-A1M6B02	01A-B1N4B04
2	01A-B1N4D06	01A-B1B6B02	01A-C1B5B04
6	01A-C1B5D06	AU4 A-A1M6B07	BC4 A-A1N3D05
1	AG4 A-A1N2B03	01A-B1B6B07	01A-B1A3D05
000	01A-B1A2B03	AX4 A-B1N3B12	BF4 A-B1B1D07
	AN4 A-A1M4D06	AZ4 A-A1N3D09	BG4 A-B1C1D07
	01A-B1B4D06	01A-B1A3D09	01A-B1D1D07
	AP4 A-A1M6B04	BA4 A-A1N3B05	

08-11-66 506775  
 11-15-66 506775A  
 06-15-67 306767  
 10-02-67 306846

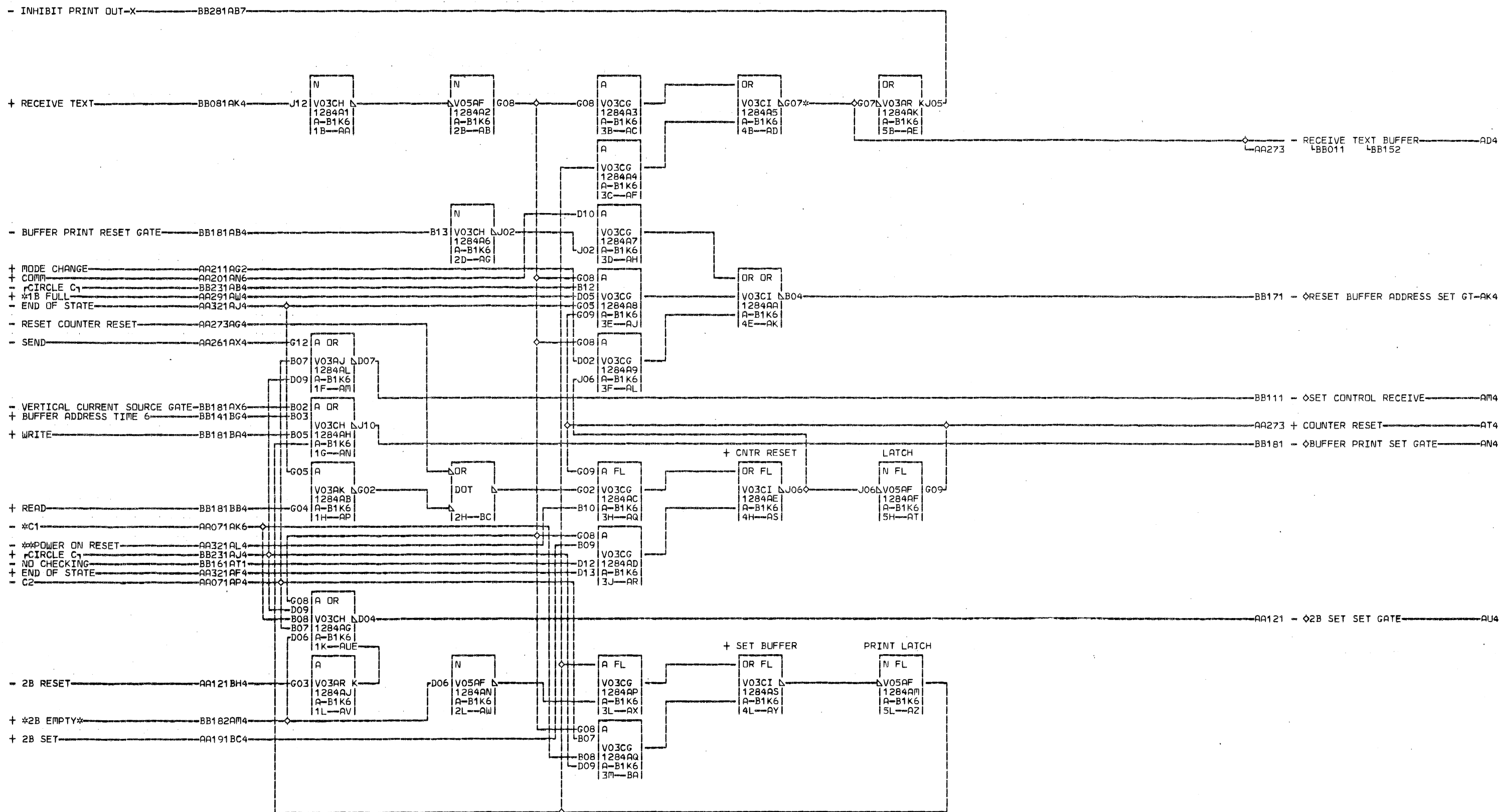
LOGIC CARD 14			
DATE	11-07-67	MACH.	1971
LOG	242	FRAME	01
		P.N.	1186246
IBM CORP.	LX	BLK.	BJI



AQ4 A-B1N2D02  
 01A-B1N3D12  
 AW4 A-B1A5B06  
 01A-A1N5B06  
 BP4 A-B1N2B05  
 01A-B1M2B06  
 DK4 A-B1M2D04

08-11-66 506775  
 11-15-66 506775A  
 06-15-67 306767  
 03-12-68 307158

SERV BLOCKS			
DATE	05-16-68	MACH.	1971
LOG	105	FRAME	01
		P.N.	1186247
IBM CORP.	LX	BLK.	DN



AD4 A-A1N7B09  
 01A-B1A7B09

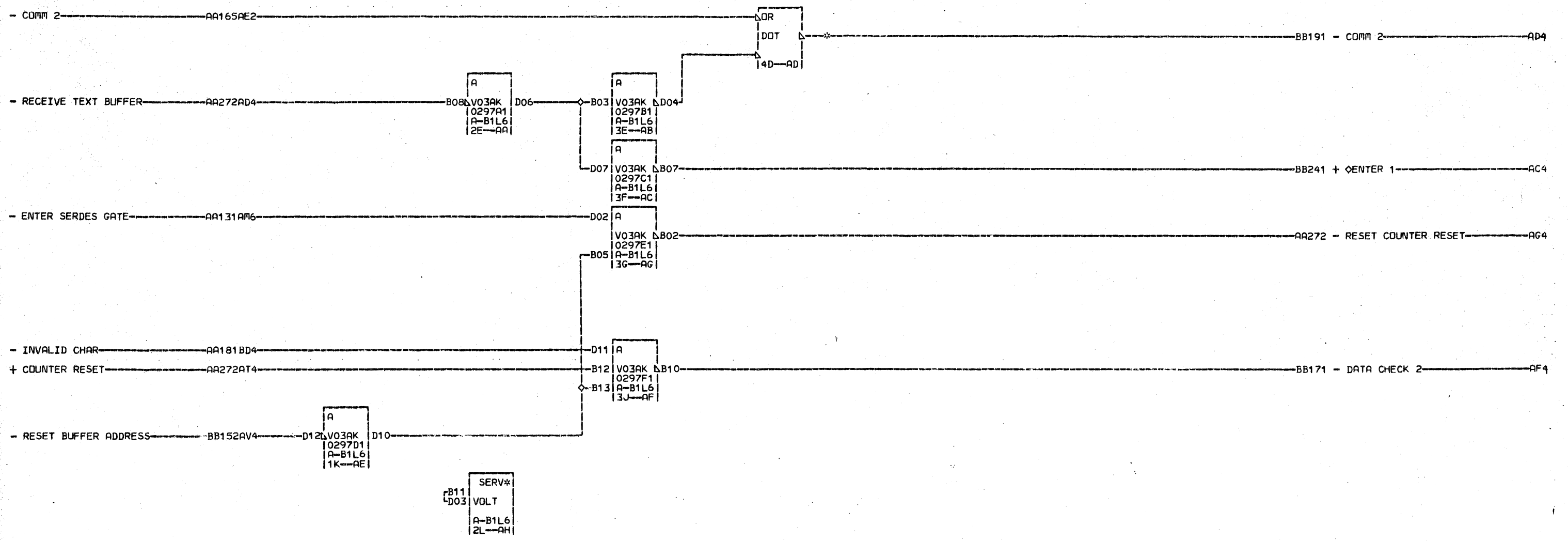
11-15-66 506775A  
 06-15-67 306767  
 10-30-67 306846  
 03-12-68 307158

BUFFERED RECEIVE			
DATE	05-16-68	MACH.	1971
LOG	821	FRAME	01
		P.N.	1186252
IBM CORP.	LX	BLK.	BD

000  
 2  
 7  
 2  
 2

A  
 2  
 7  
 2



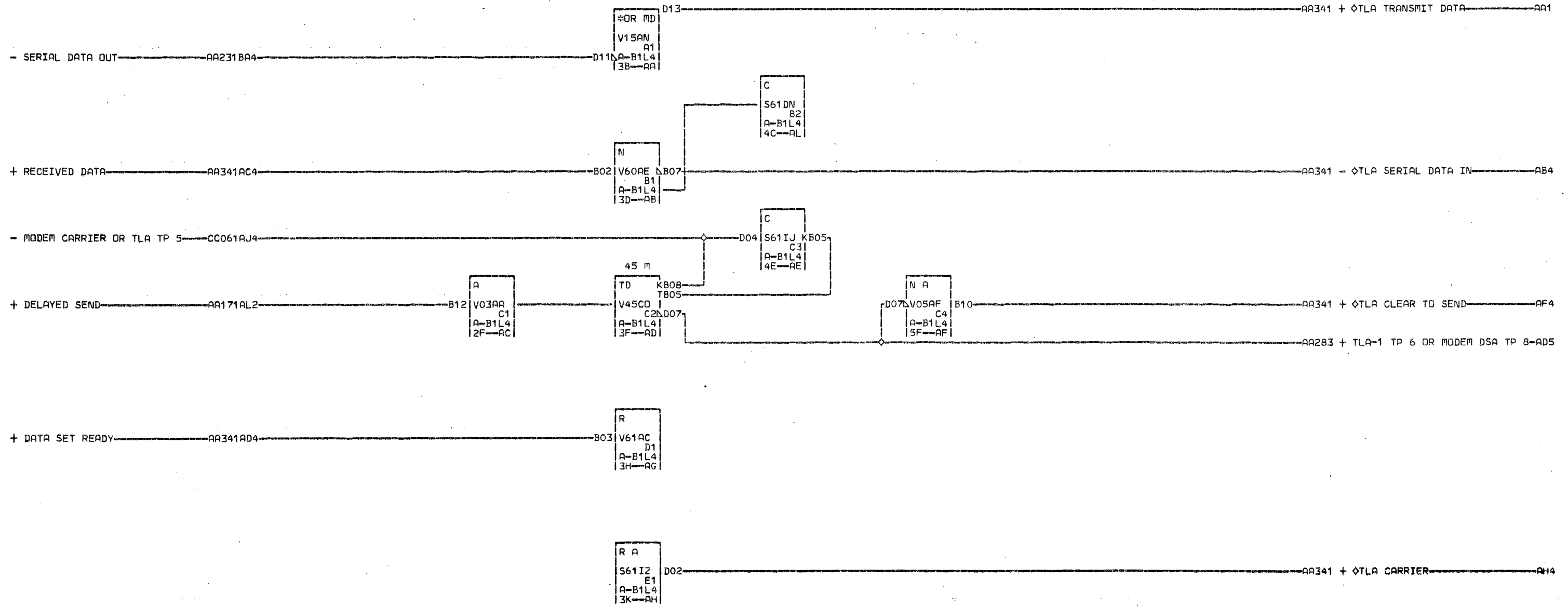


AD4 A-B1A7D12  
01A-A1N7D12

10-30-67 306846

BUFFERED RECEIVE			
P-N 5800297			
DATE	11-07-67	MACH.	1971
LOG	104	FRAME	01
			3
			000
			000
IBM CORP. SDD BLK.			AJ1

000

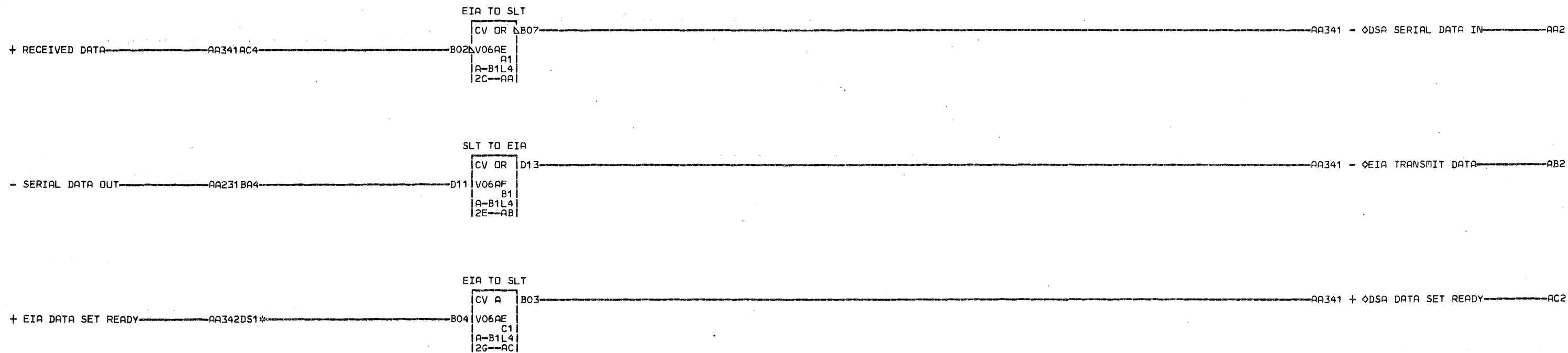


THIS CARD P-N 5803860  
 OVERLAYS WITH P-N 5803561  
 A AND P-N 5803854  
 1 SEE PAGES AA282 AND AA283  
 2 SEE ALSO PAGES AA341 AND AA342  
 8  
 1

000

08-11-66 506775  
 11-15-66 506775A  
 06-15-67 306767  
 10-02-67 306846  
 03-12-68 307158

TELEGRAPH LINE ADAPTER-1			
P-N 5803860			
DATE	05-16-68	MACH.	1971
LOG	821	FRAME	01
		P.N.	1186240
IBM CORP.	LX	BLK.	AM

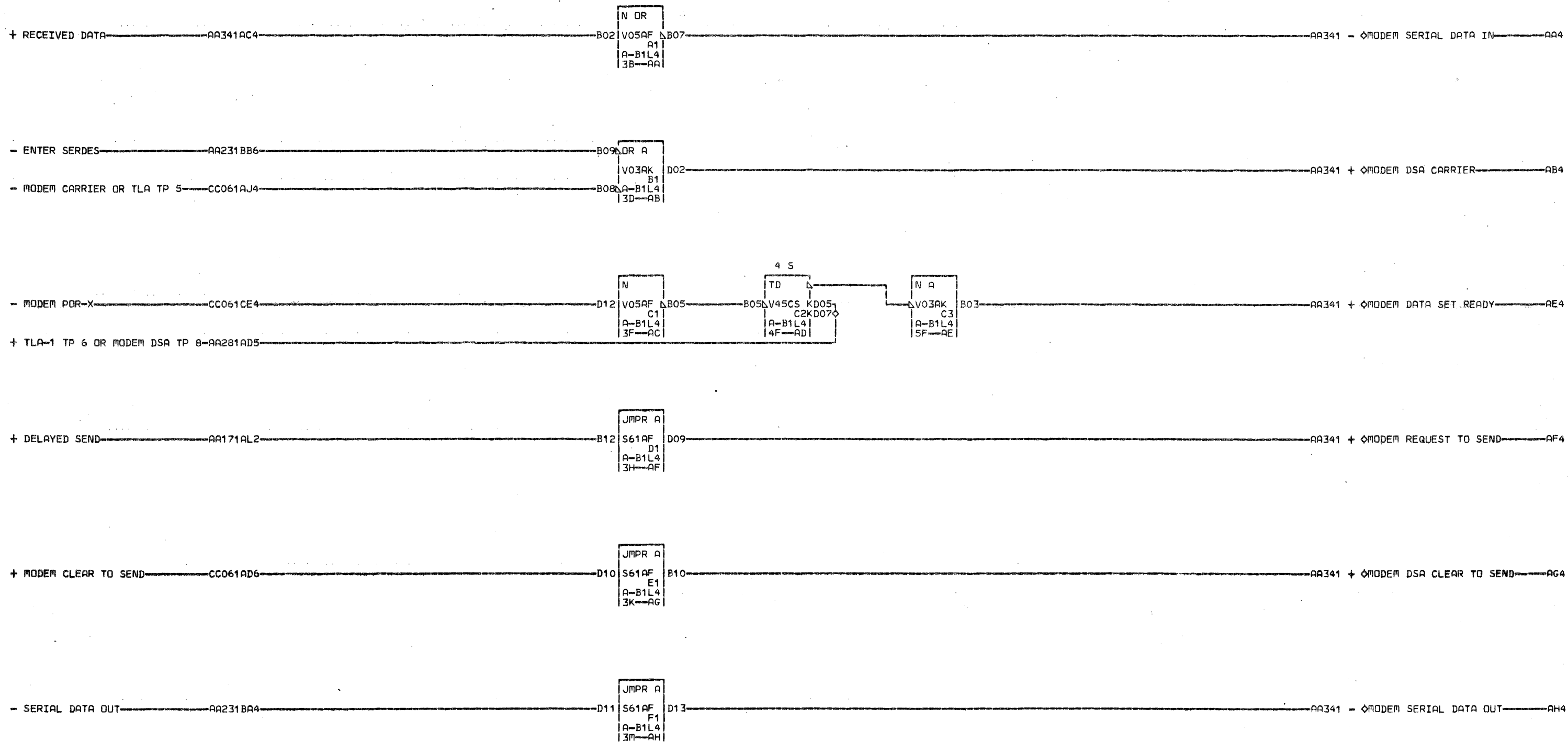


THIS CARD P-N 5803561  
 OVERLAYS WITH P-N 5803860  
 A AND P-N 5803854  
 A SEE PAGES AA281 AND AA283  
 2 SEE ALSO PAGES AA341 AND AA342  
 8  
 2

AA342DS1  
 01A-B1M4D13

08-11-66 506775  
 11-15-66 506775A  
 10-02-67 306846  
 03-12-68 307158

COMMON DATA SET ADAPTER			
P-N 5803561			
DATE	05-16-68	MACH.	1971
LOG	821	FRAME	01
		P.N.	1186313
IBM CORP.	LX	BLK.	AD



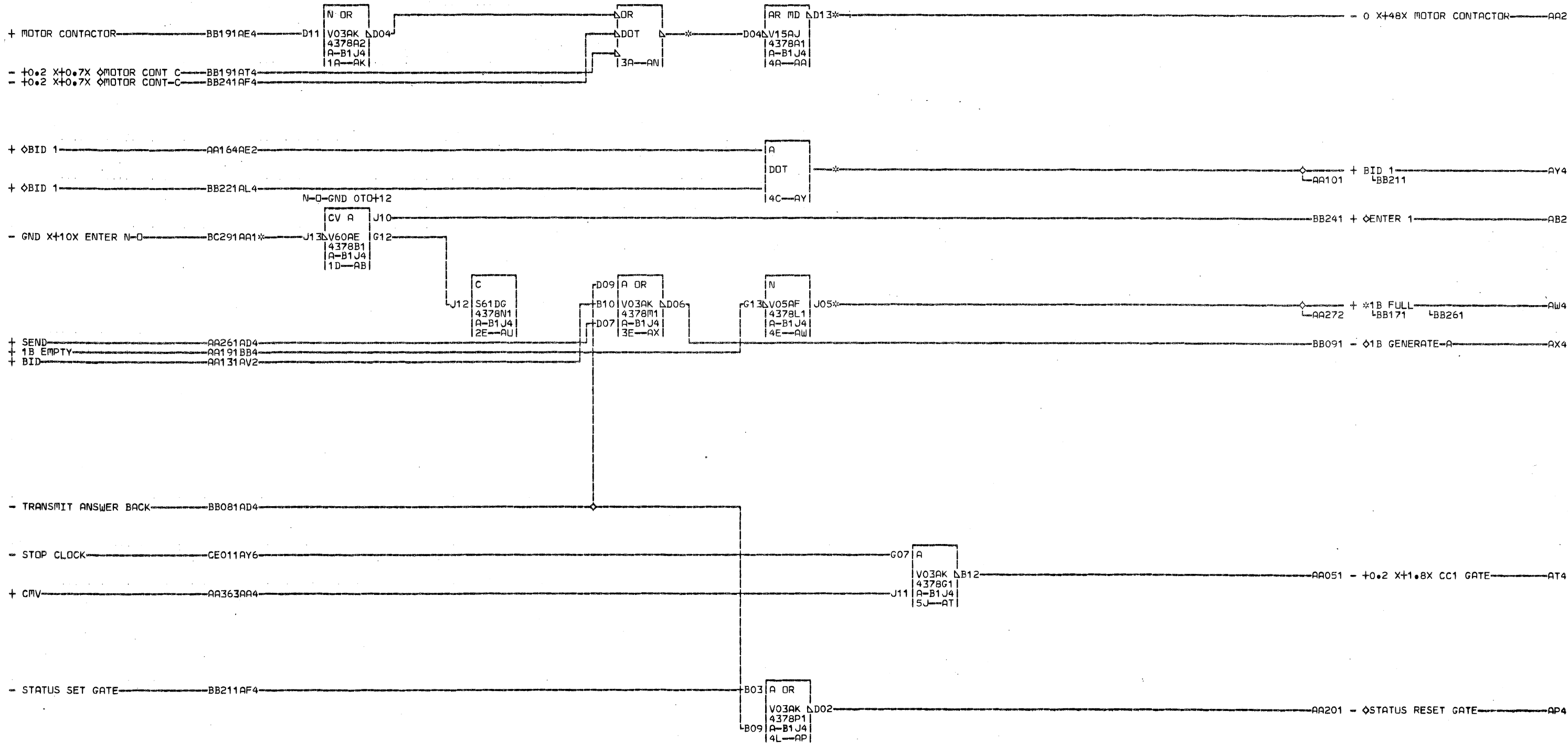
THIS CARD P-N 5803854  
 OVERLAYS WITH P-N 5803860  
 A AND P-N 5803561  
 A SEE PAGES AA281 AND AA282  
 2 SEE ALSO PAGES AA341 AND AA342  
 8  
 3

000

11-15-66 506775A  
 10-02-67 306846  
 03-12-68 307158

MODEM DATA SET ADAPTER			
P-N 5803854			
DATE	05-16-68	MACH.	1971
LOG	105	FRAME	01
		P.N.	1186493
IBM CORP.	LX	BLK.	AJ

A  
2  
8  
3  
000



268027102900386

A  
A  
2  
9  
1  
000

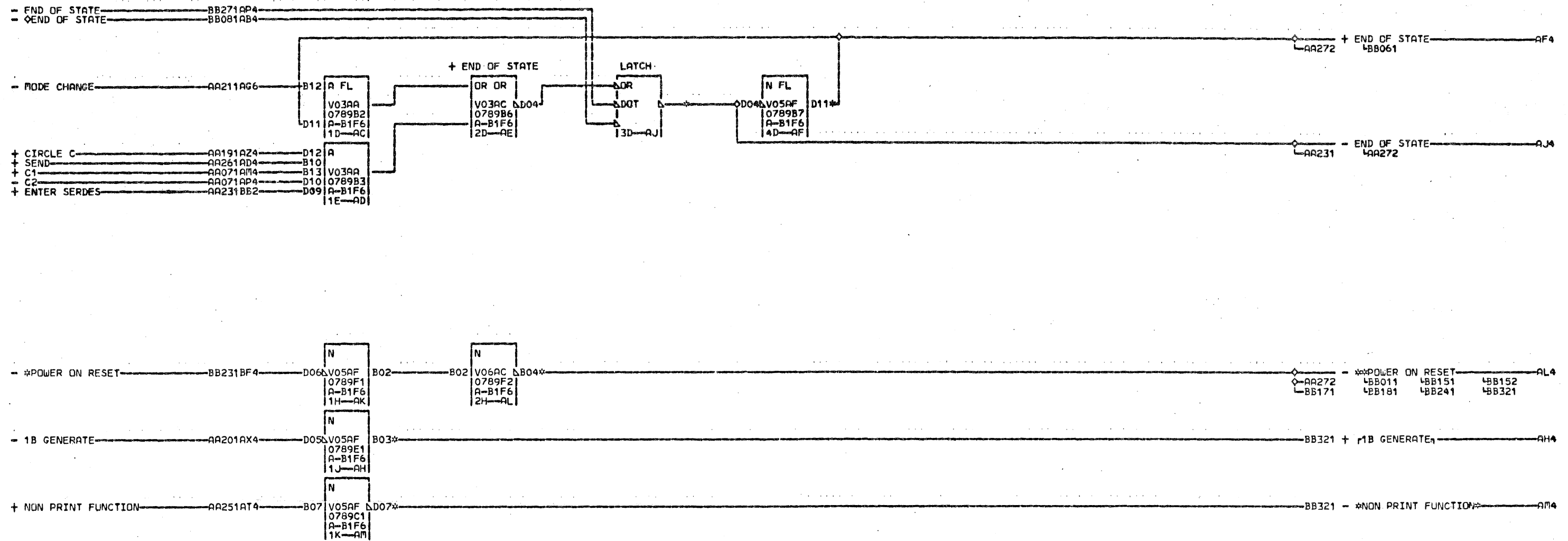
BC291AA1  
01A-B1M1D12  
AA2 A-B1M1D13  
AA4 A-A1N4D04  
01A-B1A4D04  
AA4 A-A1N4D03  
01A-B1A4D03  
AY4 A-A1N7D11  
01A-B1A7D11

08-11-66 506775  
11-15-66 506775A  
06-15-67 306767  
03-12-68 307158

LOGIC CARD 32			
DATE	05-16-68	MACH.	1971
LOG	105	FRAME	01
		P.N.	1186248
IBM CORP.	LX	BLK.	AZ

A  
A  
2  
9  
1  
000





21602450260

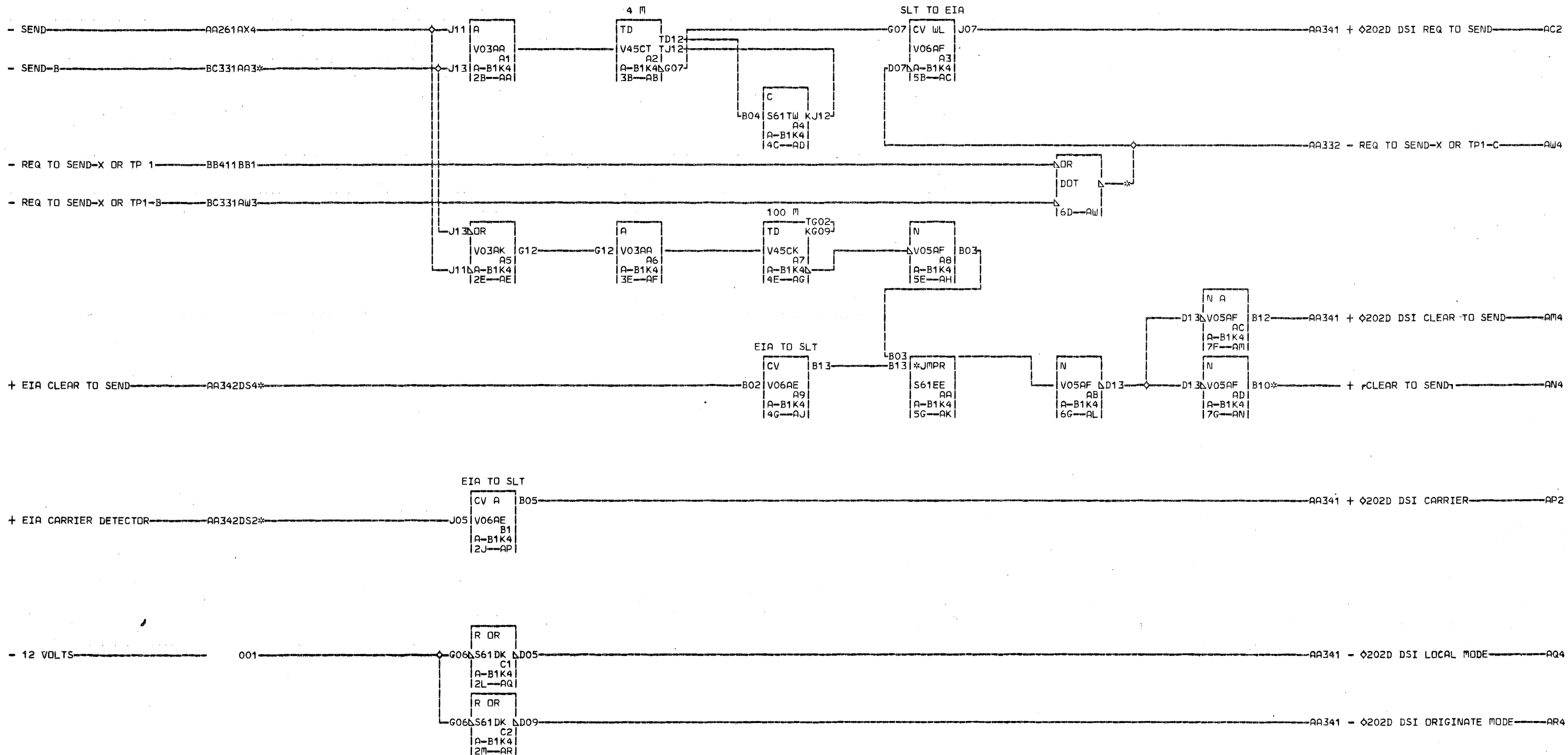
07-12-66 506775  
11-15-66 506775A

AF4 A-A1M4D12 01A-B1A6B05  
 01A-B1B4D12  
 AH4 A-A1N7D06  
 01A-B1A7D06  
 AJ4 A-A1N6D04  
 01A-B1A6D04  
 AL4 A-A1N6B11  
 01A-B1A6B11  
 AM4 A-A1N6B05

000

POWER UP-1  
 DATE 03-09-67 MACH. 1971  
 LOG 1164 FRAME 01  
 P.N. 1186250  
 IBM CORP. LX BLK. AN

000



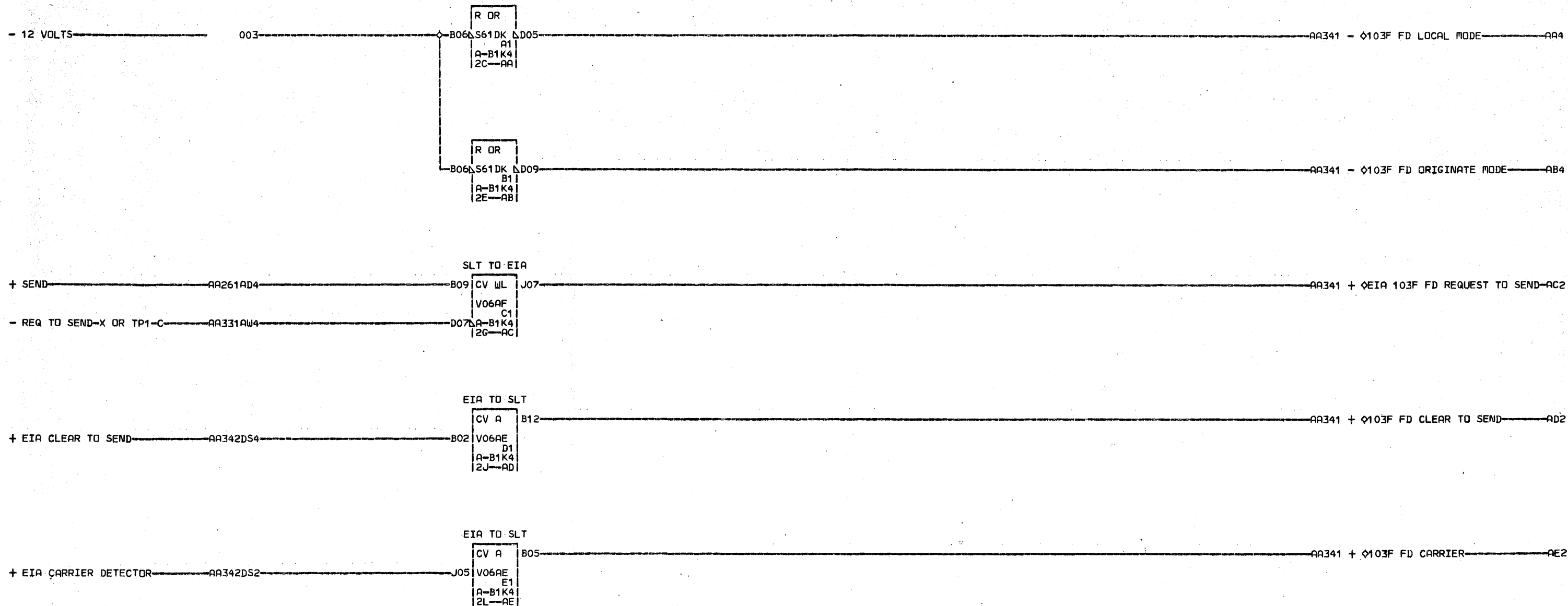
THIS CARD P-N 5807367  
 OVERLAYS WITH P-N 5801315  
 A SEE PAGE AA332  
 A SEE ALSO PAGES AA341  
 3 AND AA342  
 3  
 1

AA342DS2 01A-A1M4B09  
 AA342DS4 01A-B1M4B07  
 01A-B1M4B07  
 BC331AA3  
 01A-B1N3B09  
 AN4 A-B1N3D06  
 AW4 A-B1N3B02  
 01A-B1B6D05

08-11-66 506775  
 11-15-66 506775A  
 10-02-67 306846  
 03-12-68 307158

DATA SET INTERFACE				
P-N 5807367				
DATE	05-16-68	MACH.	1971	A
LOG	105	FRAME	01	3
		P.N.	1186302	1
IBM CORP.	LX	BLK.	AX	000



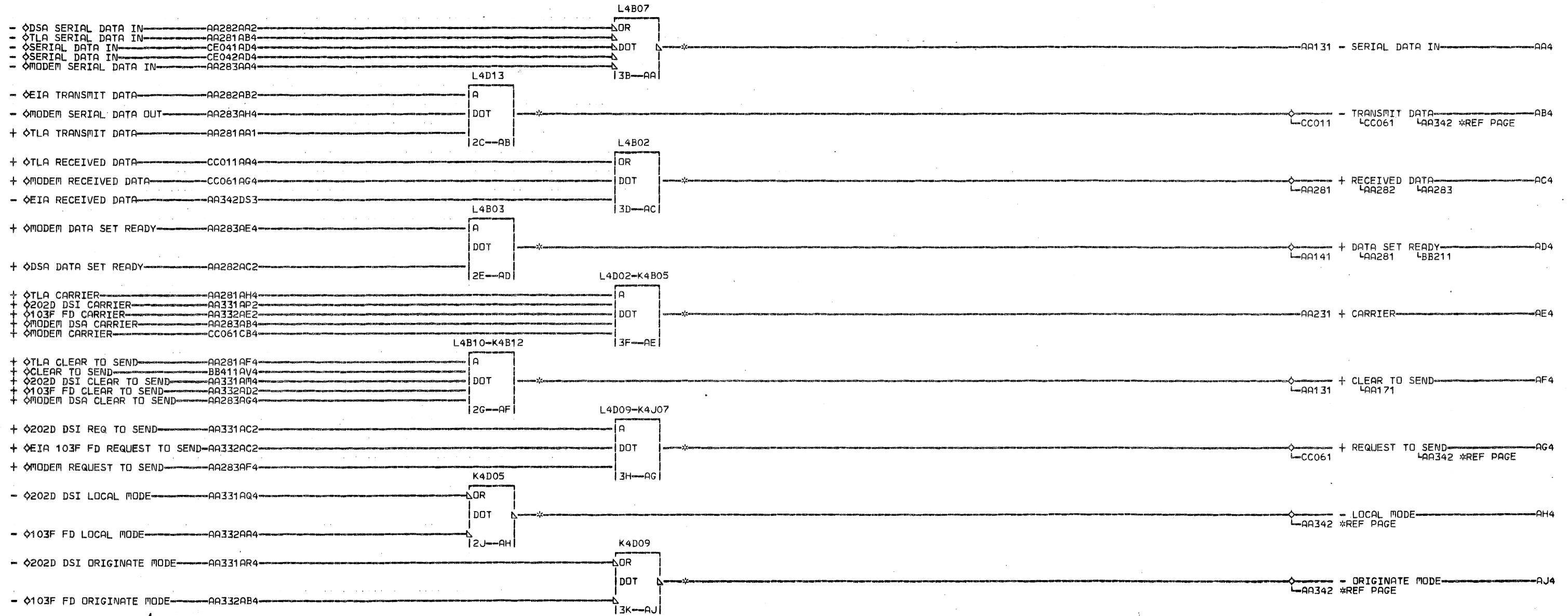


THIS CARD P-N 5801315  
 OVERLAYS WITH P-N 5807367  
 A SEE PAGE AA331  
 A SEE ALSO PAGES AA341 AND AA342  
 3  
 3  
 2

08-11-66 506775  
 11-15-66 506775A  
 10-02-67 306846

103F FD DATA SET ADAPTER			
P-N 5801315			
DATE	11-07-67	MACH.	01
LOG	242	FRAME	01
		P.N.	1186314
IBM CORP.	LX	BLK.	AF

A  
A  
3  
3  
2  
000



B1L4- 5803860 5803561 5803854  
 B1K4- 5807367 5801315

A  
 3  
 4  
 1  
 000

AA4	A-B1C1B12	01A-B1N4B09	01A-B1A4D06
	01A-B1D1B12	01A-C1B5B09	01A-B1N3D05
	01A-B1N3B07	AD4 A-A1N4B12	AG4 A-B1M4B10
AB4	A-B1N3D11	01A-B1A4B12	01A-B1N4B07
	01A-B1M4B13	01A-B1N3B04	01A-C1B5B07
	01A-B1N4B10	AE4 A-B1N3B03	AH4 A-B1M4D12
	01A-C1B5B10	01A-B1N4D02	AJ4 A-B1M4D10
AC4	A-B1N3D10	01A-C1B5D02	
	01A-B1M4B12	AF4 A-A1N4D06	

08-11-66 506775  
 11-15-66 506775A  
 03-12-68 307158

DATA SET ADAPTER SOURCES			
DATE	05-16-68	MACH.	1971
LOG	888	FRAME	01
		P.N.	1186312
IBM CORP.	LX	BLK.	AK

A  
3  
4  
1  
000

TERMINAL				DATA SET			
NET NUMBER	REF TO PAGE	SLT CONN	TERM LINE NAME	FLOW	DATA SET LINE NAME	EIA DESIG	EIA PIN NO.
AA341AB4	AA341	BIM4BI3	- TRANSMIT DATA	→	TRANSMITTED DATA	BA	2
AA342DS3	AA341	BIM4BI2	- ∅ EIA RECEIVED DATA	←	RECEIVED DATA	BB	3
AA341AG4	AA341	BIM4BIO	+ REQ TO SEND	→	REQUEST TO SEND	CA	4
AA342DS4	AA331 AA332	BIM4BO7	+ ∅ EIA CLEAR TO SEND	←	CLEAR TO SEND	CB	5
AA342DS1	AA282	BIM4DI3	+ EIA DATA SET READY	←	DATA SET READY	CC	6
AA271AUA	AA271	BIM4DO9		↔	SIGNAL GROUND	AB	7
AA342DS2	AA331 AA332	BIM4BO9	+ EIA CARRIER DETECTOR	←	DATA CARRIER DETECTOR	CF	8
AA341AJ4	AA341	BIM4DIO	- ORIGINATE MODE	→	ORIGINATE MODE	CY	11
AA341AH4	AA341	BIM4DI2	LOCAL MODE	→	LOCAL MODE	CX	12
SPARE		BIM4DII					14
SPARE		BIM4DO7					15

NOTE 1: FOR A PARTICULAR COMMON CARRIER DATA SET, THERE MAY NOT BE SOURCES OR SINKS FOR SOME OF THE ABOVE LISTED SIGNALS

NOTE 2: EIA PIN NO REFERS TO THE PIN NUMBERS OF THE DATA SET CABLE CONNECTOR WHICH MATES WITH THE DATA SET CONNECTOR

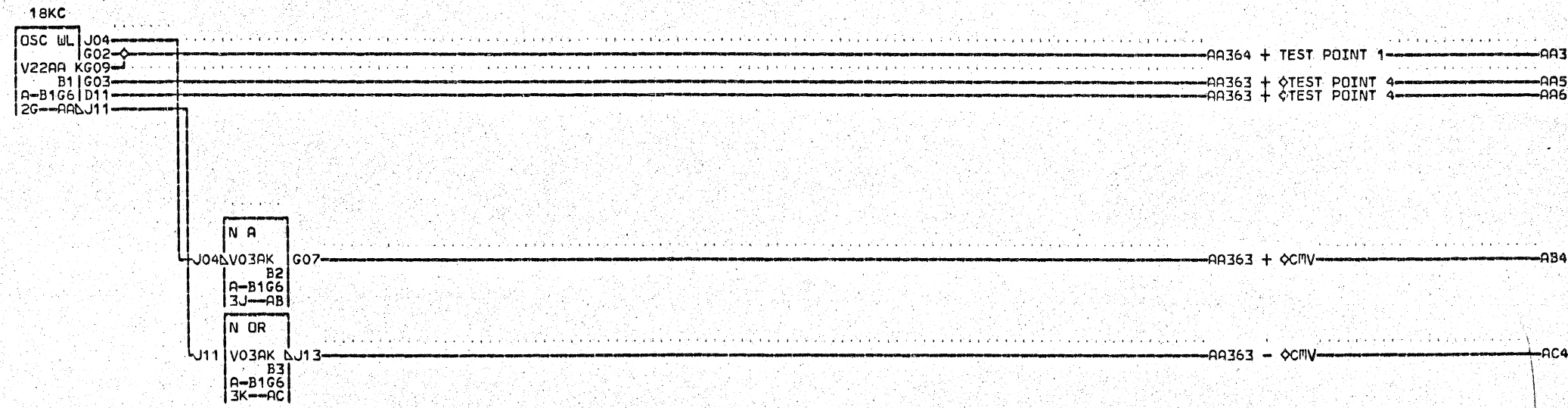
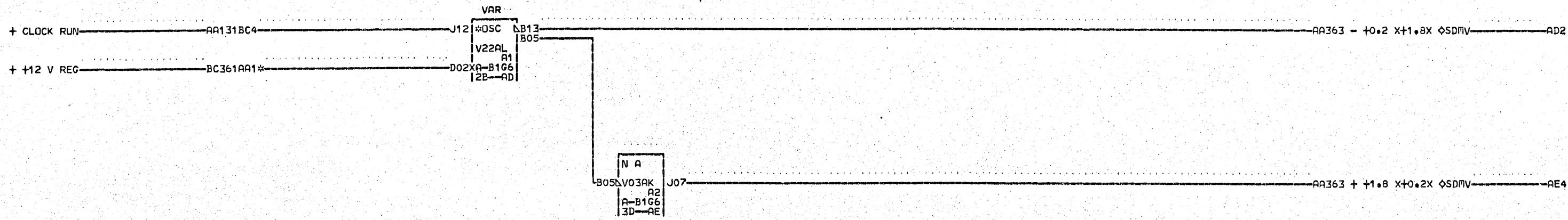
## 75 BAUD TELEGRAPH ATTACHMENT

TERMINAL				75 BAUD ADAPTOR		
NET NUMBER	REF TO PAGE	SLT CONN	TERM LINE NAME	FLOW	TERMINAL STRIP NAME	POSITION
CC011AA4	CC011 AA341	BIN3DIO	+ ∅ TLA RECEIVED DATA	←	+ ∅ TLA RECEIVED DATA	7
AA341AB4	AA341	BIN3DII	- TRANSMIT DATA	→	- TRANSMIT DATA	6
AA271AQ4	AA271	BIN3DI2	+ 48 V-I	↔	+ 48V -I	5
AA271DJA	AA271	BIN3DI3	GND	↔	GND	3

## LEASED AND SHARED LINE MODEM CABLES

TERMINAL				MODEM CABLE		
NET NUMBER	REF TO PAGE	SLT CONN	TERM LINE NAME	FLOW	CABLE LINE NAME	PIN
CC061AM8	CC061	CIA5BO7	LINE 2 (2W) OR TRANSMIT (4W)	↔	2 WIRE TRANSMIT AND RECEIVE PAIR OR 4 WIRE TRANSMIT PAIR	GN
CC061AM6	CC061	CIA5BO8	LINE 1 (2W) OR TRANSMIT (4W)	↔		R
MT021AA4	CC061	CIA5BO9	RECEIVE 1 (4W)	←	4 WIRE RECEIVE PAIR	BK
MT031AA4	CC061	CIA5BIO	RECEIVE 2 (4W)	←		Y
CC061CD4	CC061	CIA5BO2	NOT USED IN 1971			
BC321AA4	CC061	CIA5BO3	++ IO XGNDX TEST N-O NOTE: CONTROLS TERM LOGIC ASSOCIATED WITH MODEM WRAP TEST	←	NORMALLY OPEN, "TEST" SWITCH MOUNTED ON SIDE OF STAND	
MT011AA4	CC061	CIA5BO4	+MOD TEST NOTE: THIS SIGNAL CONTROLS THE MODEM WRAP TEST	←	NORMALLY OPEN, "TEST" SWITCH MOUNTED ON SIDE OF STAND	
CC061BG4	CC061	CIA5BO5	+12 VOLTS	→	ARM, "TEST" SWITCH MOUNTED ON SIDE OF STAND	
NONE EXISTS		CIA5AO2	TERM SIG GND	→	ARM, "TEST" SWITCH MOUNTED ON SIDE OF STAND	

DATE	E.C. NO.	DATE	E.C. NO.	DATA SET AND MODEM SIGNALS	
16 FEB 67	506881-M				
JUN68	307158			PART NO.1186647	PAGE NO.AA342
				IBM 1971	

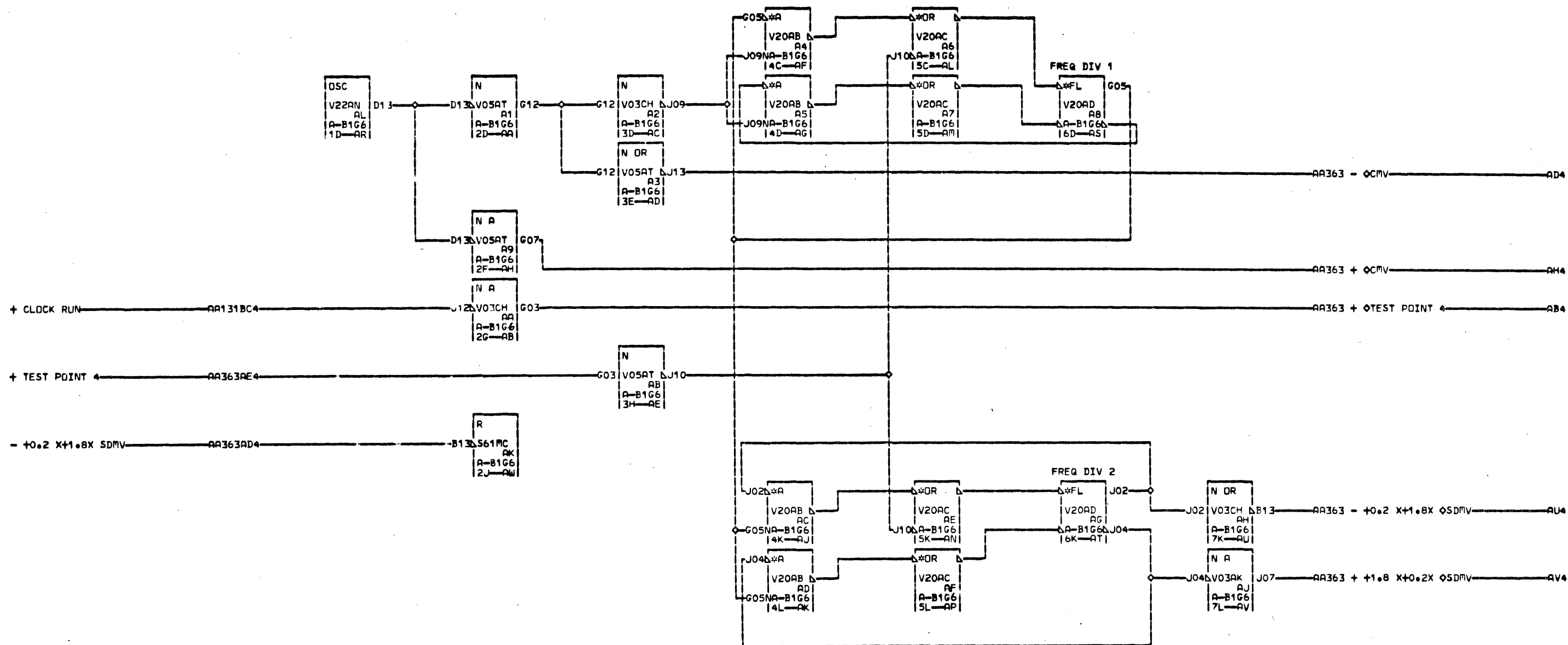


THIS CARD P-N 5807360  
 OVERLAYS WITH P-N 5807368  
 A AND P-N 5804381  
 A SEE PAGES AA362 AND AA364  
 3 SEE ALSO PAGE AA363

BC361AA1  
 01A-B1N2D09

08-11-66 506775  
 11-15-66 506775A

CLOCKS-300CPS AND 18KC			
DATE	03-09-67	MACH.	1971
LOG	1164	FRAME	01
	P.N.	1186251	
IBM CORP.	LX	BLK.	AF

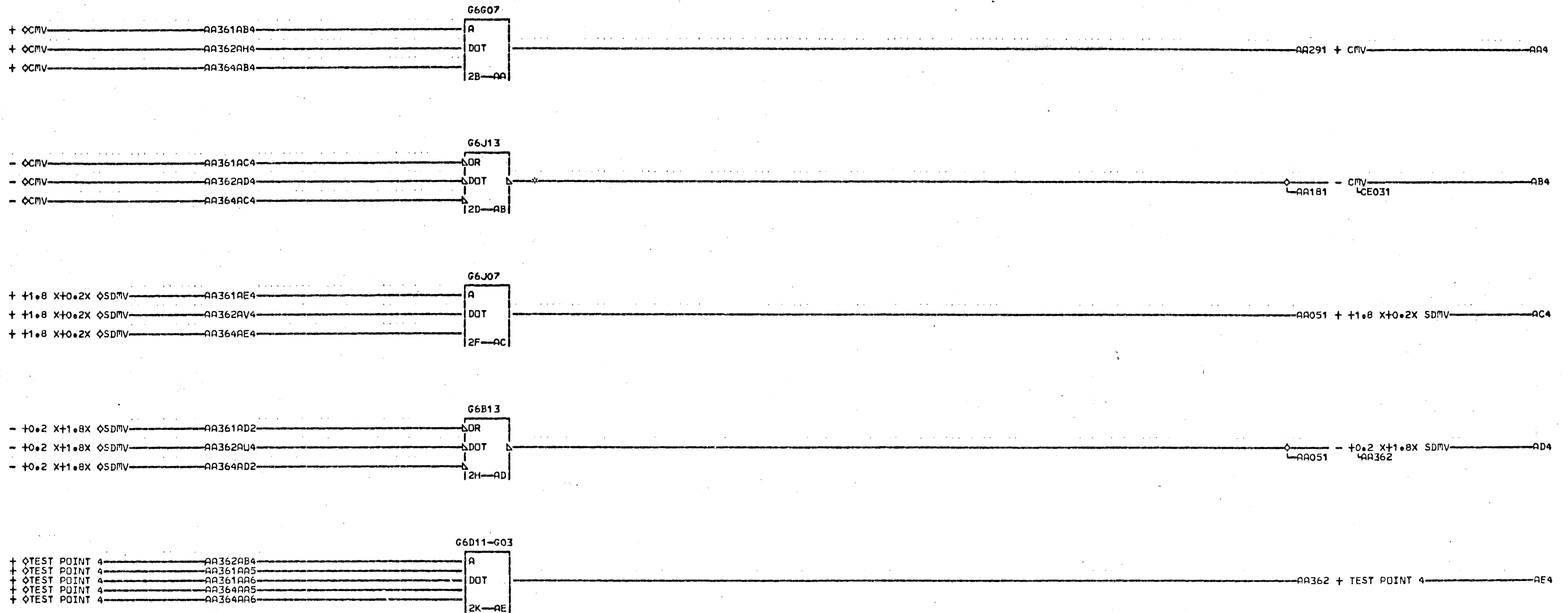


THIS CARD P-N 5807368  
 OVERLAYS WITH P-N 5807360  
 AND P-N 5804381  
 SEE PAGES AA361 AND AA364  
 SEE ALSO PAGE AA363

08-11-66 506775  
 11-15-66 506775A

CLOCKS-3.8KC AND 15.2KC		
DATE	03-09-67	MACH. 1971
LOG	1164	FRAME 01
P-N: 1186308		
IBM CORP.	LX	BLK. AX

AA362



BIG6 OVERLAYS-  
 LX CARD 152 P-N 5807360  
 LX CARD 167 P-N 5807368  
 LX CARD 27 P-N 5804381

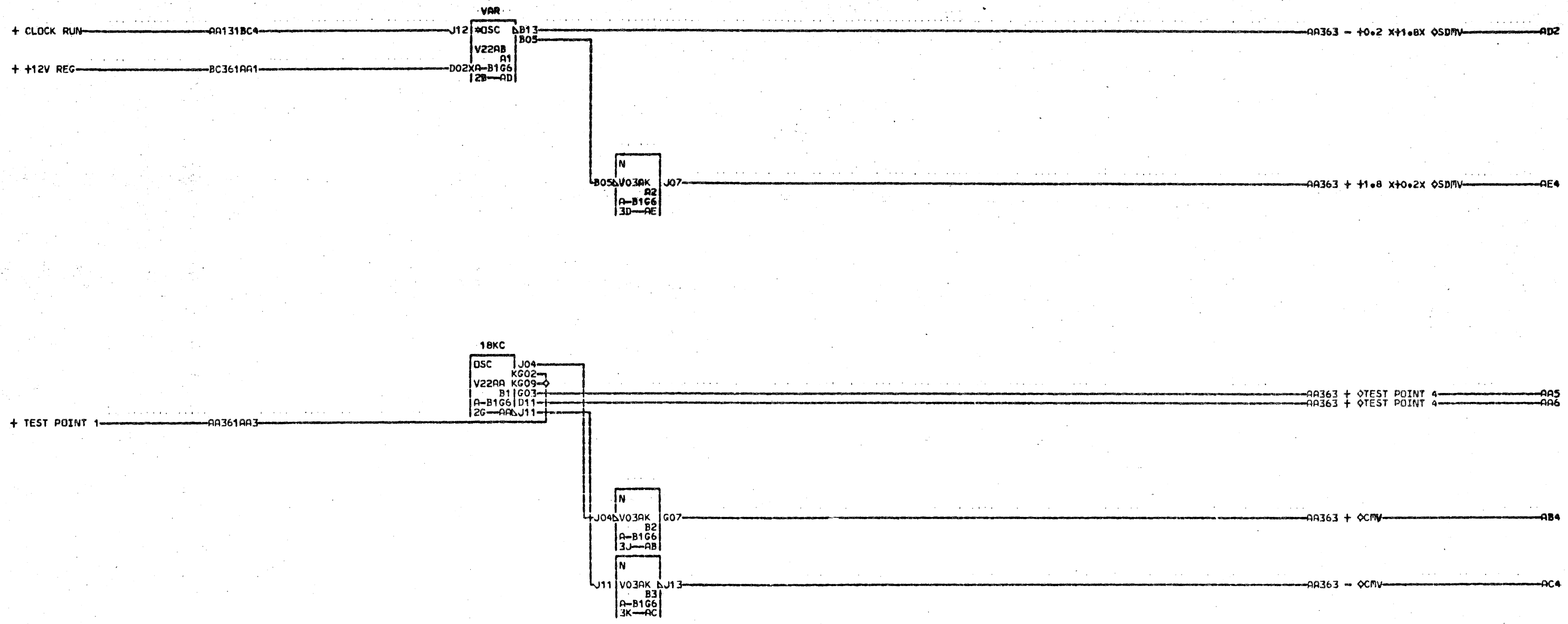
AB4 A-B1B1B03

A  
3  
6  
3  
000

08-11-66 506775  
 11-15-66 506775A

CLOCK SOURCES			
DATE	03-09-67	MARCH	1971
LOG	1164	FRAME	01
		P.N.	1186311
IBM CORP.	LX	BLK.	AF

A  
3  
6  
3  
000



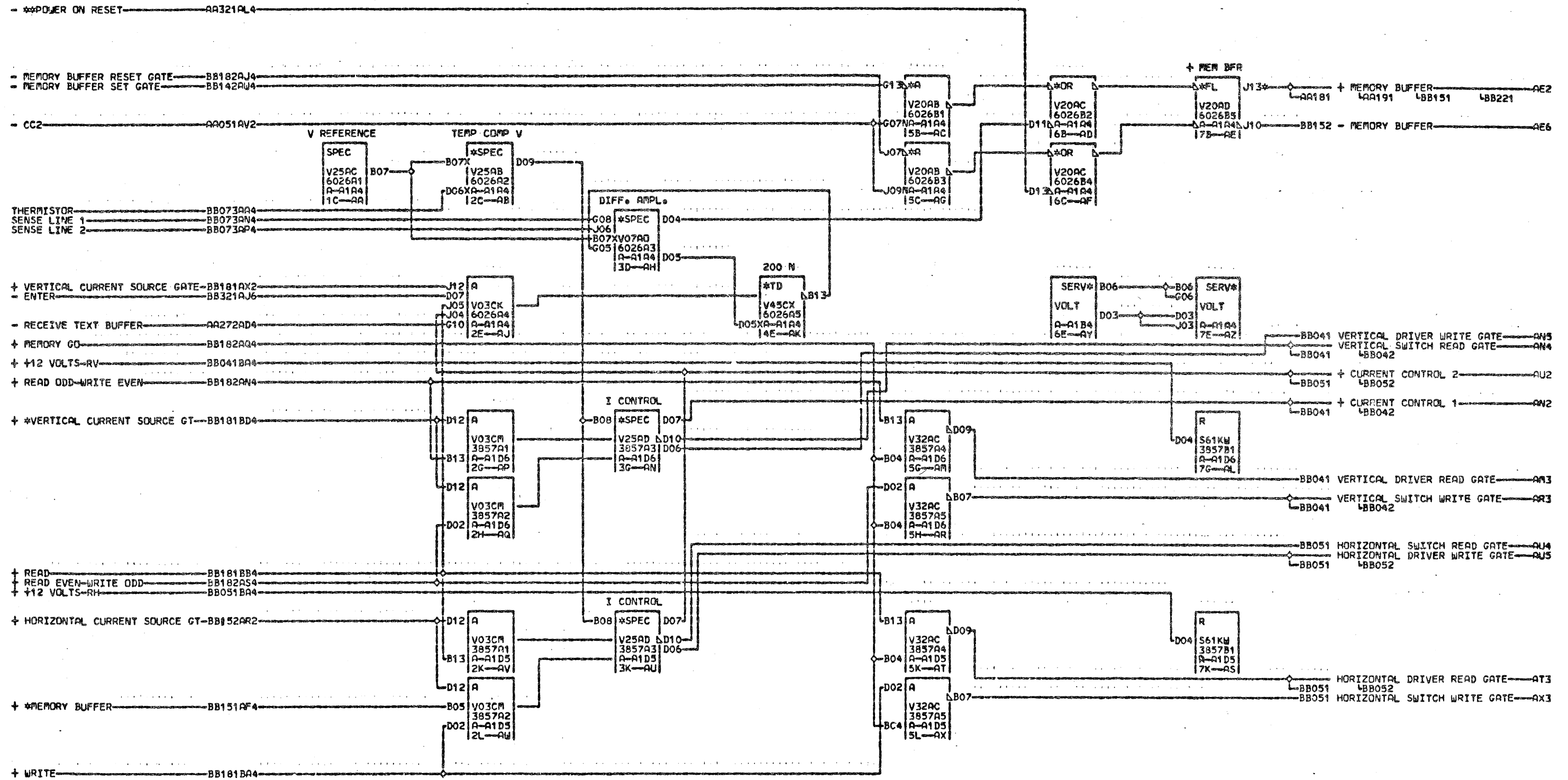
THIS CARD P-N 5804381  
 OVERLAYS WITH P-N 5807360  
 A AND P-N 5807368  
 A SEE PAGES AA361 AND AA362  
 3 SEE ALSO PAGE AA363  
 6  
 4  
 000

11-15-66 506775A

CLOCKS-519CPS AND 18KC		
DATE	03-09-67	MACH. 1971
LOG	1164	FRAME 01
	P.N.	1186494
IBM CORP.	LX	BLK. AF

A  
3  
6  
4  
000





AE2 A-A1N4D02  
 01A-B1A4D02

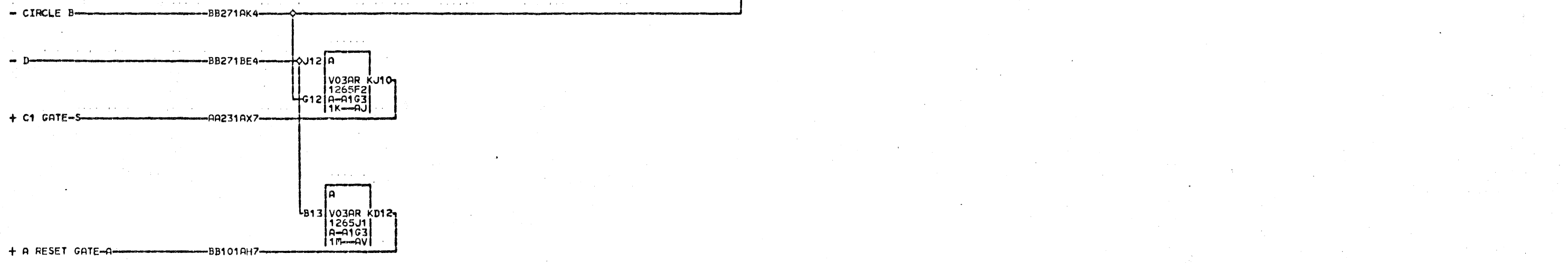
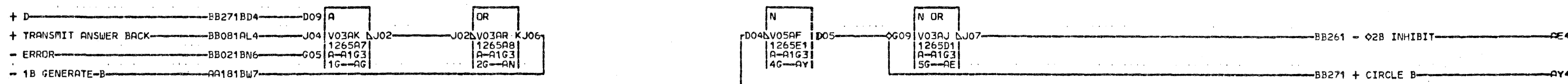
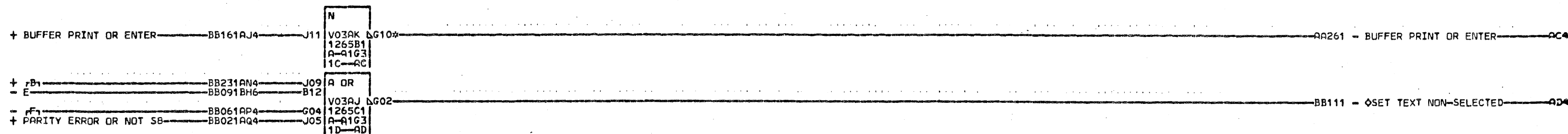
08-11-66 506775  
 11-15-66 506775A  
 06-15-67 306767

MEMORY CONTROL			
DATE	06-29-67	MACH.	1971
LOG	101	FRAME	01
		P.No.	1176256
IBM CC-P.	LX	BLK.	BA

B  
 B  
 0  
 1  
 1  
 000

B  
 B  
 0  
 1  
 1  
 000



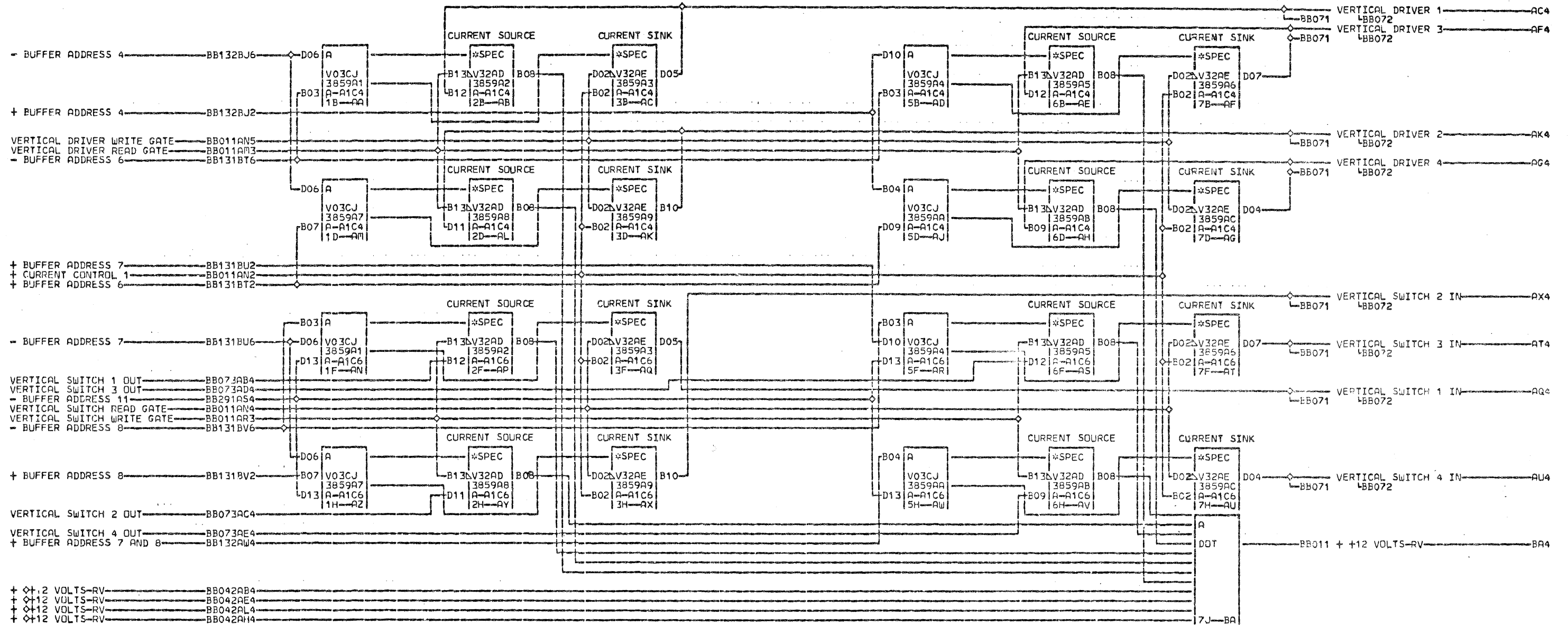


224  
000

AC4 A-A1N3B06  
01A-B1A3B06

07-12-66 506775  
11-15-66 506775A

VRC			
DATE	03-09-67	MACH.	1971
LDG	1164	FRAME	01
PeNo		1186254	
IBM CORP.	LX	BLK.	AZ

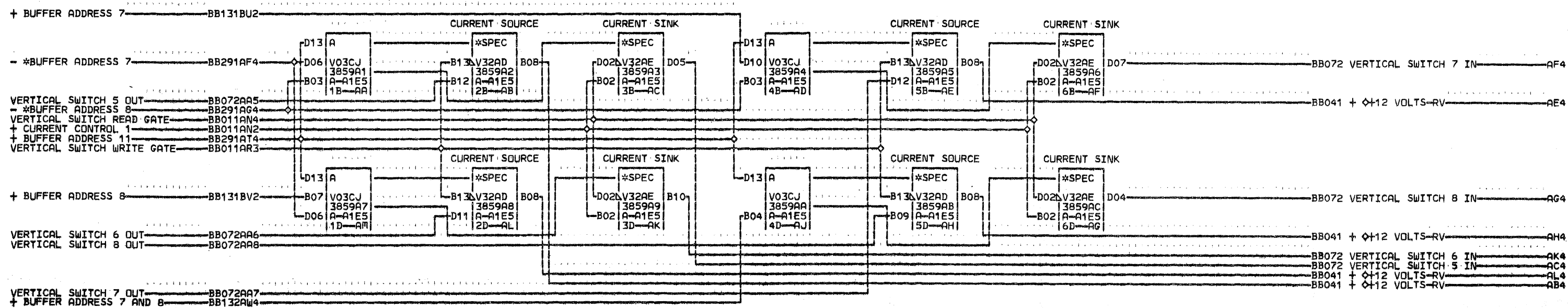


07-12-66 506775  
11-15-66 506775A

VERTICAL GMS		
DATE	03-09-67	MACH. 1971
LOG	1164	FRAME 01
	P.N. 1176257	
IBM CORP.	LX	BLK. BB

BB041

BB041

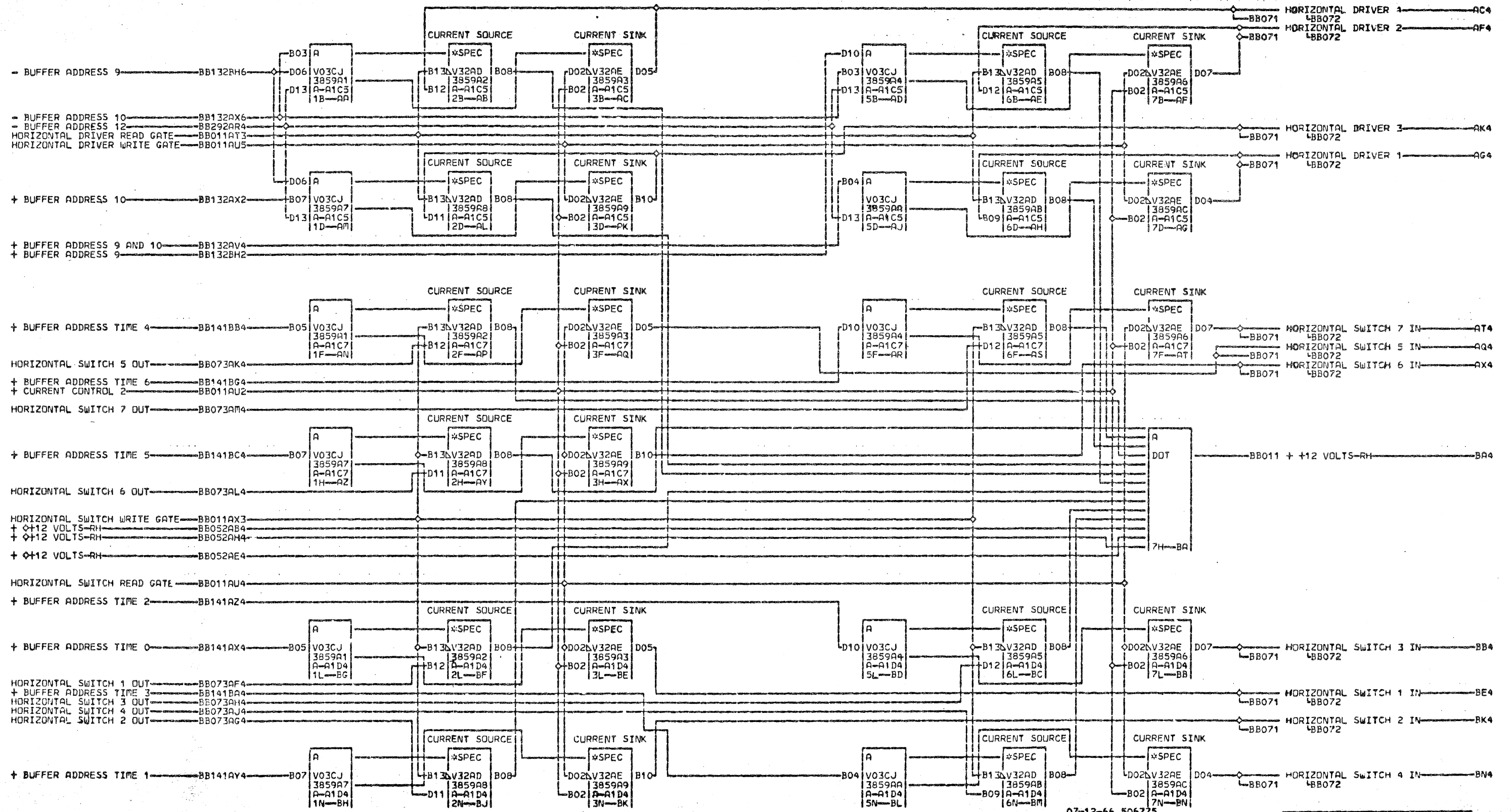


B  
B  
0  
4  
2  
000

08-11-66 506775  
11-15-66 506775A

VERTICAL GMS-256 DR 448 CHAR		
DATE	03-09-67	MACH. 1971
LOG	1164 FRAME	01
	PoN.	1186307
IBM CORP.	LX	BLK.

B  
B  
0  
4  
2  
000

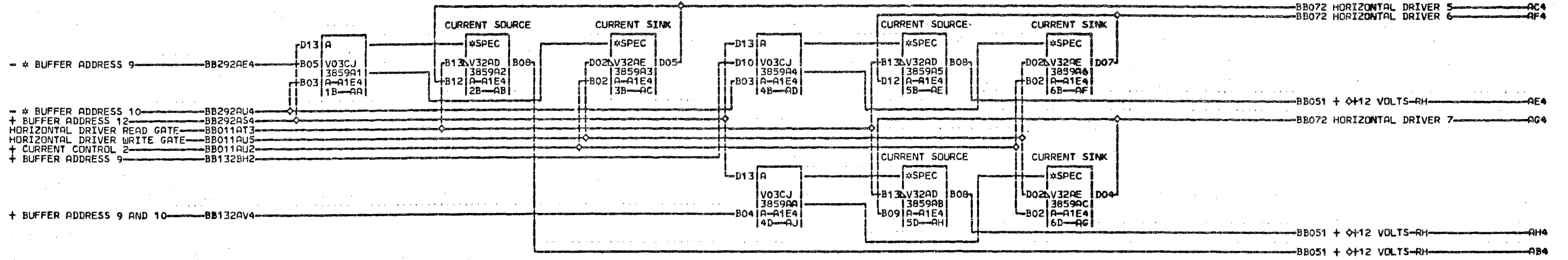


07-12-66 506775  
 11-15-66 506775A

HORIZONTAL GMS			
DATE	03-09-67	MACH.	1971
LOG	1164	FRAME	01
		P.No.	1176258
IBM CORP.	LX	BLK.	8P

BB051  
000

BB051  
000



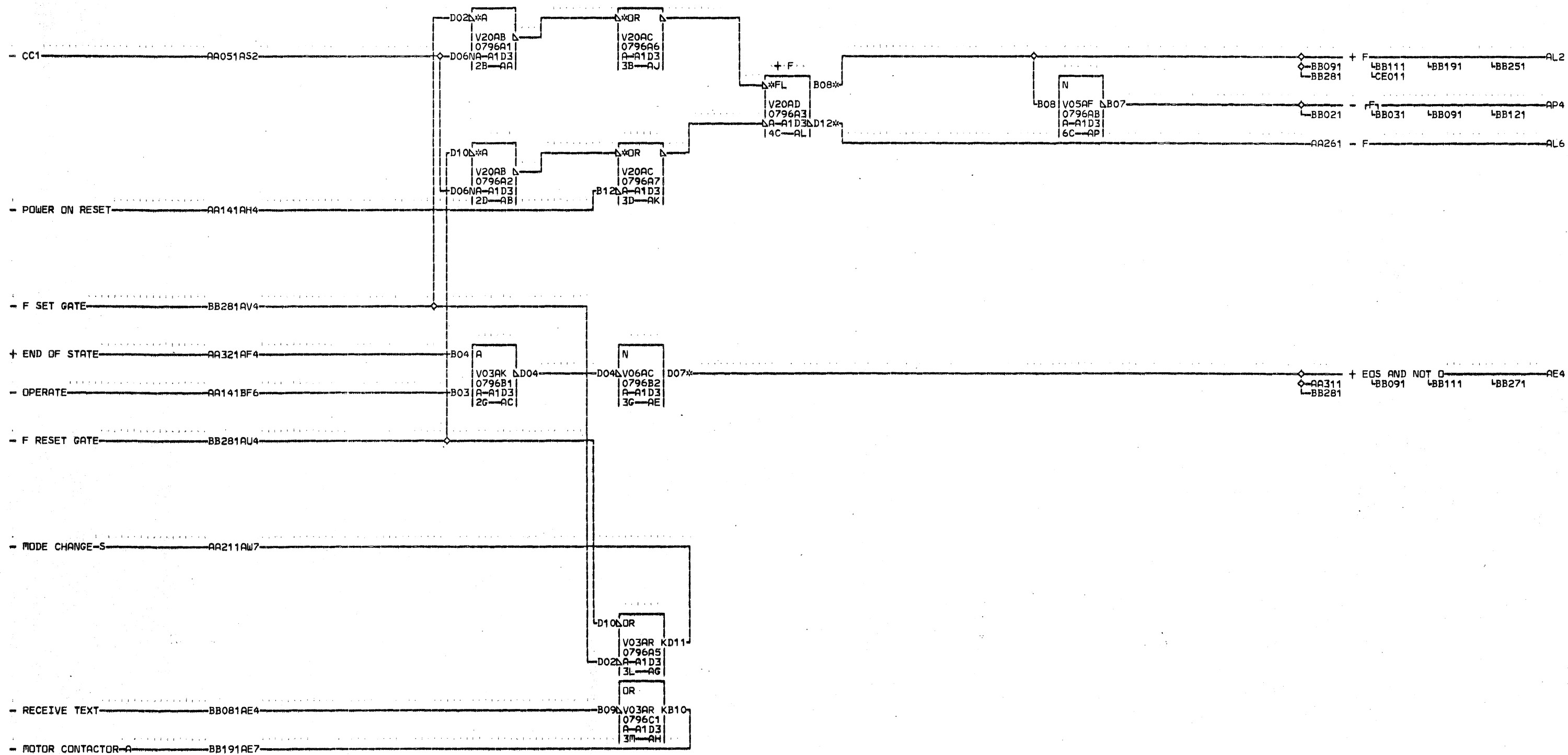
B  
B  
B  
000

07-12-66 506775  
11-15-66 506775A

HORIZONTAL GMS-448 CHAR			
DATE	03-09-67	MACH.	1971
LOC	1164	FRAME	01
		P.No.	1186306
IBM CORP.	LX	BLK.	AK

B  
B  
B  
000





220-222

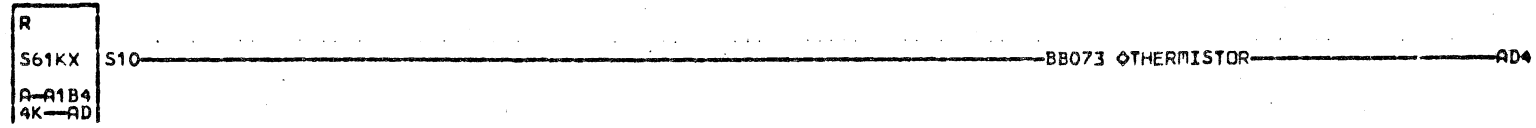
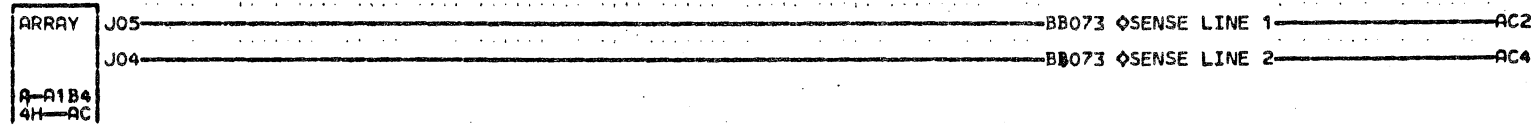
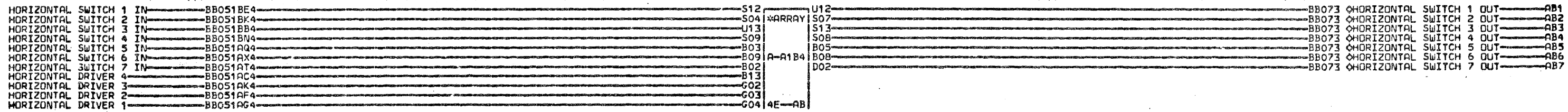
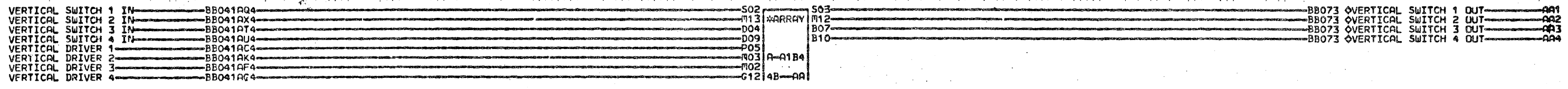
B  
B  
0  
6  
1  
000

AE4 A-A1N2B12  
 01A-B1A2B12  
 AL2 A-A1N2D02  
 01A-B1A2D02  
 01A-B1C1B08  
 01A-B1D1B08  
 AL6 A-A1N2B05  
 01A-B1A2B05

08-11-66 506775  
 11-15-66 506775A

VRC+TC+SC1			
DATE	03-09-67	MACH.	1971
LOG	1164	FRAME	01
		P.No.	1186255
IBM CORP.	LX	BLK.	AQ

B  
B  
0  
6  
1  
000



THIS CARD P-N 1176408  
OVERLAYS WITH P-N 1176409  
SEE PAGE BB072

08-11-66 506775

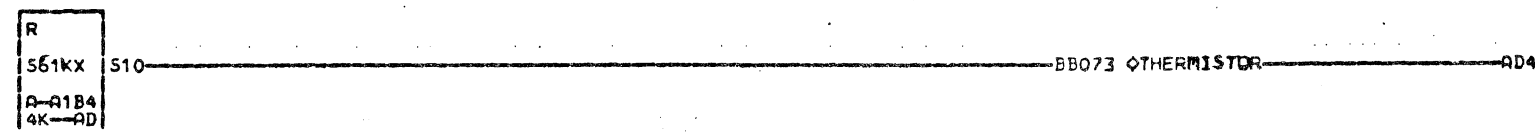
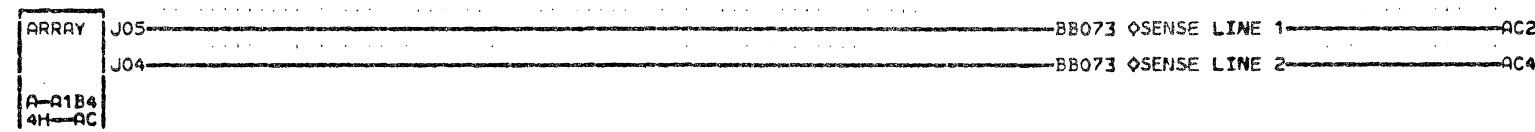
B  
B  
0  
7  
1  
000

BUFFER-128 CHARACTER			
P-N 1176408			
DATE	03-09-67	FRAC.	1971
LOG	0973	FRAME	01
		P-N.	1176259
IBM CORP.	LX	BLK.	AE

B  
B  
0  
7  
1  
000

VERTICAL SWITCH 1 IN	BB041AQ4	S02	S03	BB073	VERTICAL SWITCH 1 OUT	AA1
VERTICAL SWITCH 2 IN	BB041AX4	M13	M12	BB073	VERTICAL SWITCH 2 OUT	AA2
VERTICAL SWITCH 3 IN	BB041AT4	E04	B07	BB073	VERTICAL SWITCH 3 OUT	AA3
VERTICAL SWITCH 4 IN	BB041AU4	D09	B10	BB073	VERTICAL SWITCH 4 OUT	AA4
VERTICAL SWITCH 5 IN	BB042AC4	U11	U10	BB073	VERTICAL SWITCH 5 OUT	AA5
VERTICAL SWITCH 6 IN	BB042AK4	U06	S05	BB042	VERTICAL SWITCH 6 OUT	AA6
VERTICAL SWITCH 7 IN	BB042AF4	D07	D10	BB042	VERTICAL SWITCH 7 OUT	AA7
VERTICAL SWITCH 8 IN	BB042AG4	D06	B04	BB042	VERTICAL SWITCH 8 OUT	AA8
VERTICAL DRIVER 1	BB041AC4	P05				
VERTICAL DRIVER 2	BB041AK4	M03				
VERTICAL DRIVER 3	BB041AF4	M02				
VERTICAL DRIVER 4	BB041AG4	G12	4B-AA			

HORIZONTAL SWITCH 1 IN	BB051BE4	S12	U12	BB073	HORIZONTAL SWITCH 1 OUT	AB1
HORIZONTAL SWITCH 2 IN	BB051BK4	S04	S07	BB073	HORIZONTAL SWITCH 2 OUT	AB2
HORIZONTAL SWITCH 3 IN	BB051BB4	U13	S13	BB073	HORIZONTAL SWITCH 3 OUT	AB3
HORIZONTAL SWITCH 4 IN	BB051BN4	S09	S08	BB073	HORIZONTAL SWITCH 4 OUT	AB4
HORIZONTAL SWITCH 5 IN	BB051AQ4	B03	B05	BB073	HORIZONTAL SWITCH 5 OUT	AB5
HORIZONTAL SWITCH 6 IN	BB051AX4	B09	B08	BB073	HORIZONTAL SWITCH 6 OUT	AB6
HORIZONTAL SWITCH 7 IN	BB051AT4	B02	D02	BB073	HORIZONTAL SWITCH 7 OUT	AB7
HORIZONTAL DRIVER 1	BB051AG4	G04				
HORIZONTAL DRIVER 2	BB051AF4	G03				
HORIZONTAL DRIVER 3	BB051AK4	G02				
HORIZONTAL DRIVER 4	BB051AC4	B13				
HORIZONTAL DRIVER 5	BB052AC4	B12				
HORIZONTAL DRIVER 6	BB052AF4	M05				
HORIZONTAL DRIVER 7	BB052AG4	G10	4E-AB			

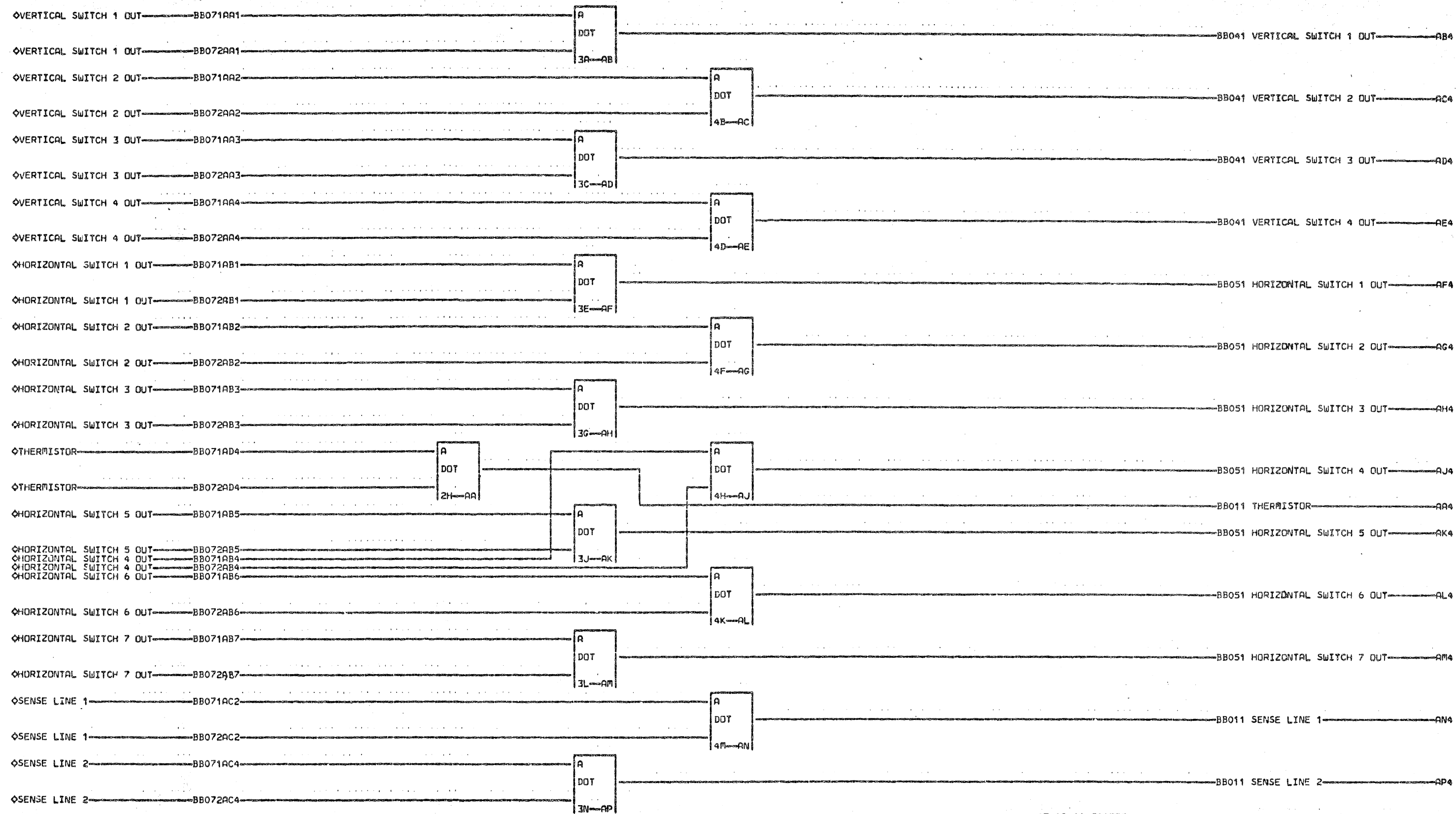


THIS CARD P-N 1176409  
OVERLAYS WITH P-N 1176408  
SEE PAGE BB071  
B  
0  
7  
2  
000

08-11-66 506775

BUFFER 256 AND 448 CHARACTER			
P-N 1176409			
DATE	03-09-67	MACH.	1971
LOG	0973	FRAME	01
P.N.		1186299	
IBM CORP.	LX	BLK.	RE

B  
0  
7  
2  
000

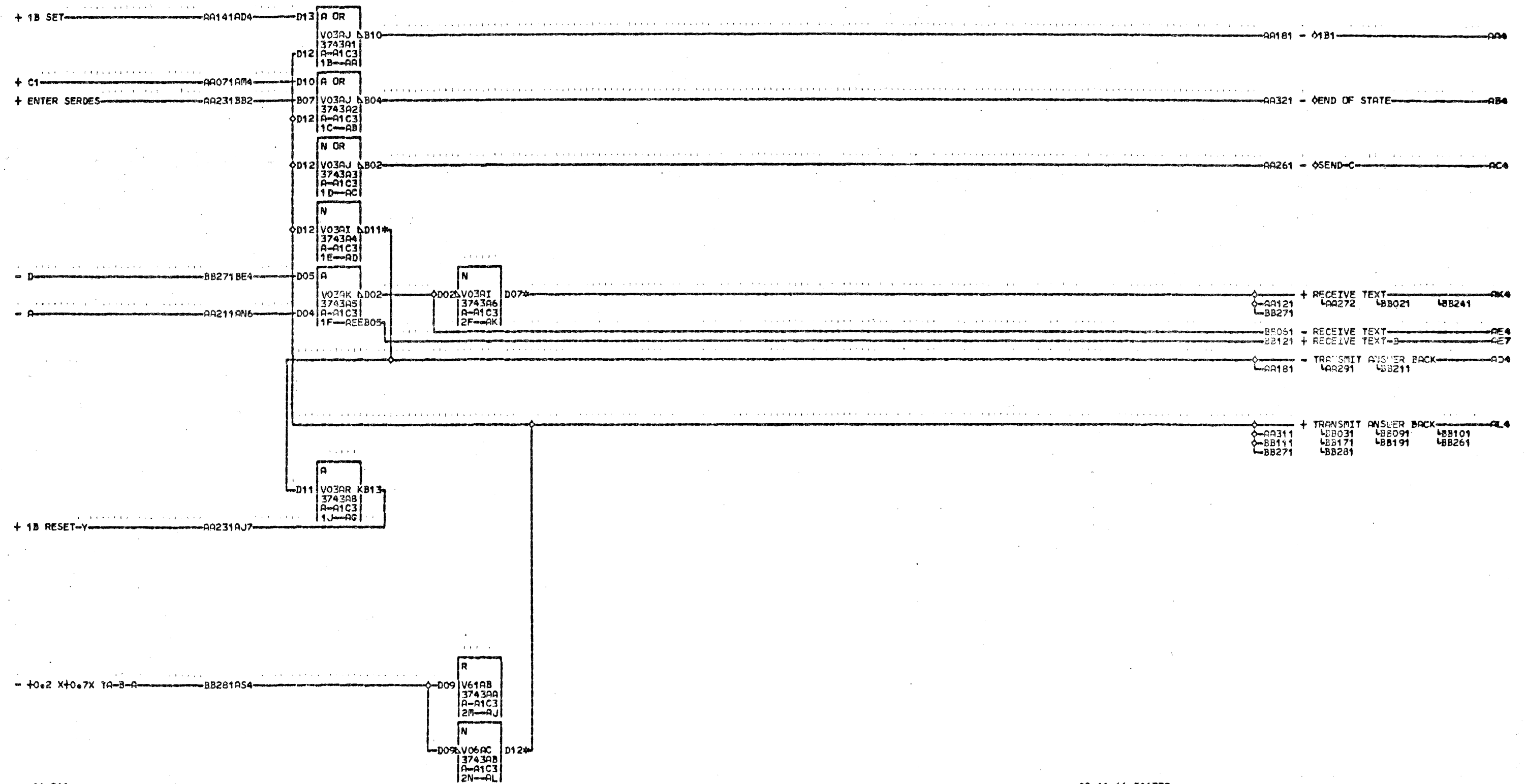


07-12-66 506775

BB073  
000

BUFFER OVERLAY			
DATE	03-09-67	MACH	1971
LUG	0916	FRAME	01
		P#N#	1186300
IBM CORP.	LX	BLK	AG

BB073  
000



64-216  
 B  
 O  
 B  
 1  
 000

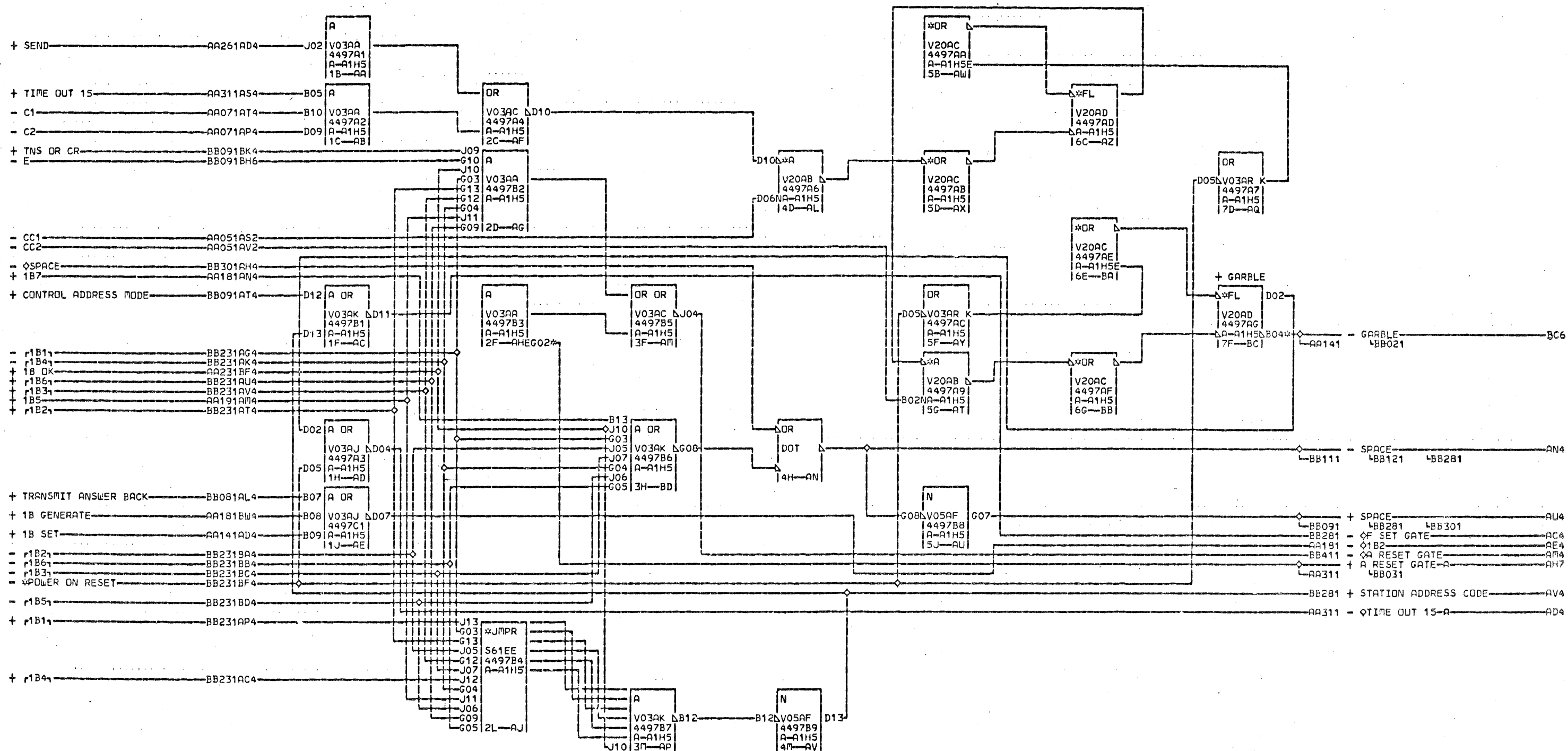
AD4 A-A1N7D07  
 01A-B1A7D07  
 AK4 A-A1N2B08  
 01A-B1A2B08  
 AL4 A-A1M5D06  
 01A-B1B5D06

08-11-66 506775  
 11-15-66 506775A  
 06-15-67 306767

VRC+SC1			
DATE	06-29-67	MACH.	1971
LOG	101	FRAME	01
		P.N.	1186256
IBM CORP.	LX	BLK.	AN

B  
 O  
 B  
 1  
 00





88-208

AH7 A-A1M5D09  
 01A-B1B5D09  
 BC6 A-A1N7B03  
 01A-B1A7B03

08-11-66 506775  
 11-15-66 506775A

STATION CONTROL 1			
DATE	03-09-67	MACH.	1971
LOG	1164	FRAME	01
		P.N.	1186258
IBM CORP.	LX	BLK.	BE

BB101

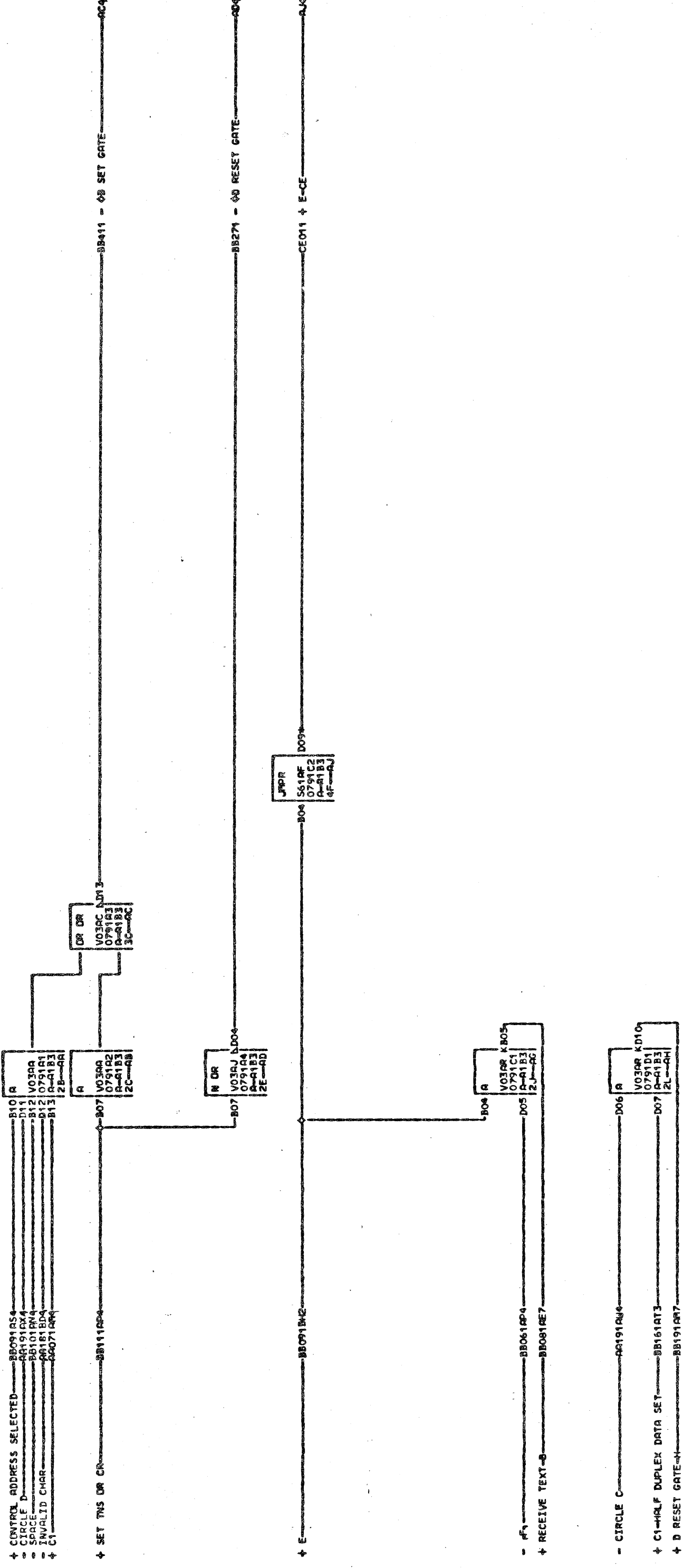
BB101

000

000



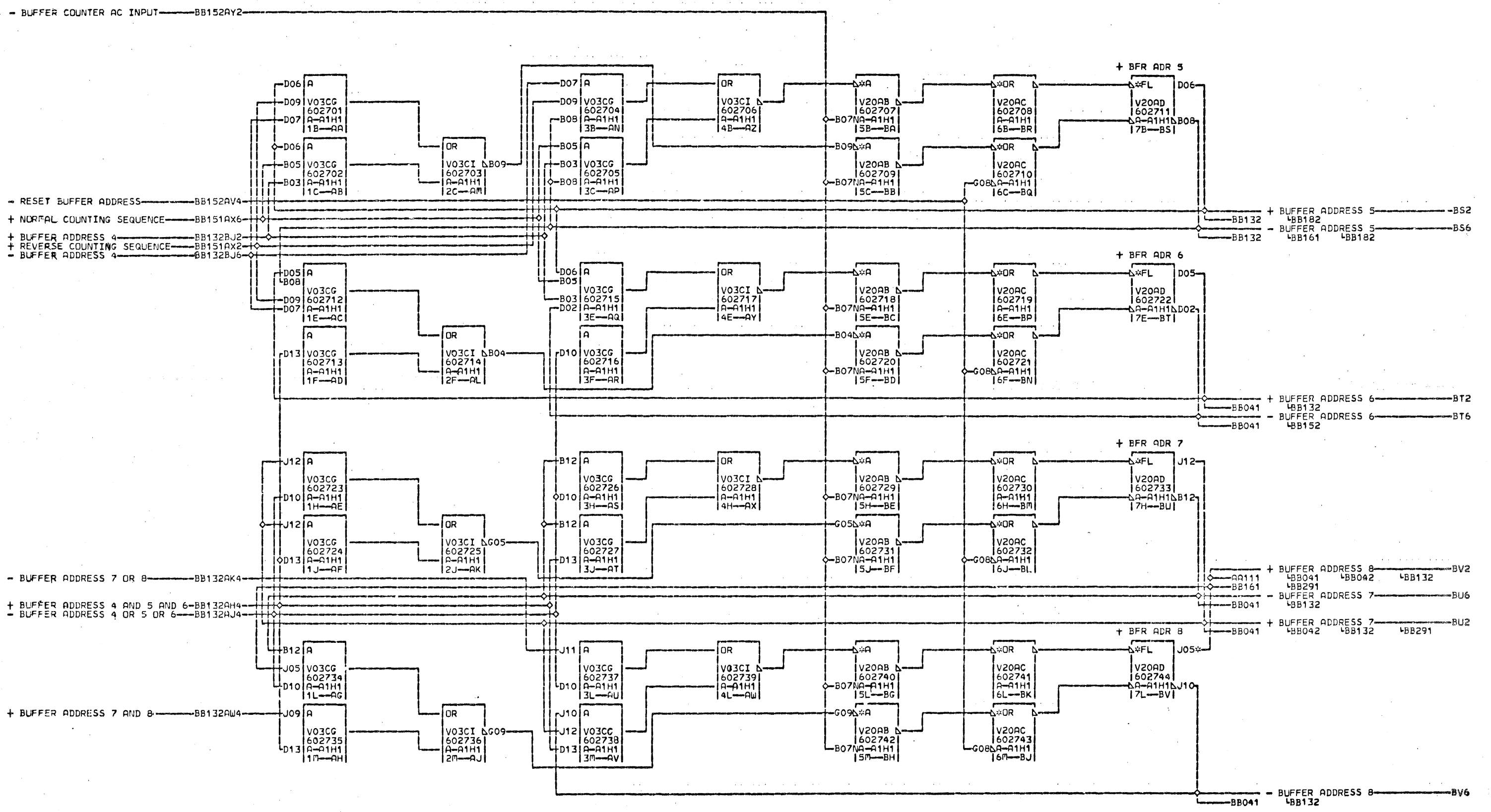




STATION CONTROL 1			
DATE	06-29-67	MACH.	1971
LDC	101	FRAME	01
		P.No	1186260
IBR CORP.	LX	BLK	6M

06-07-66 506775  
 11-15-66 506775A  
 06-15-67 306767

8AJ A-21N1B11  
 01A-B1A1B11  
 01A-B1B1B08



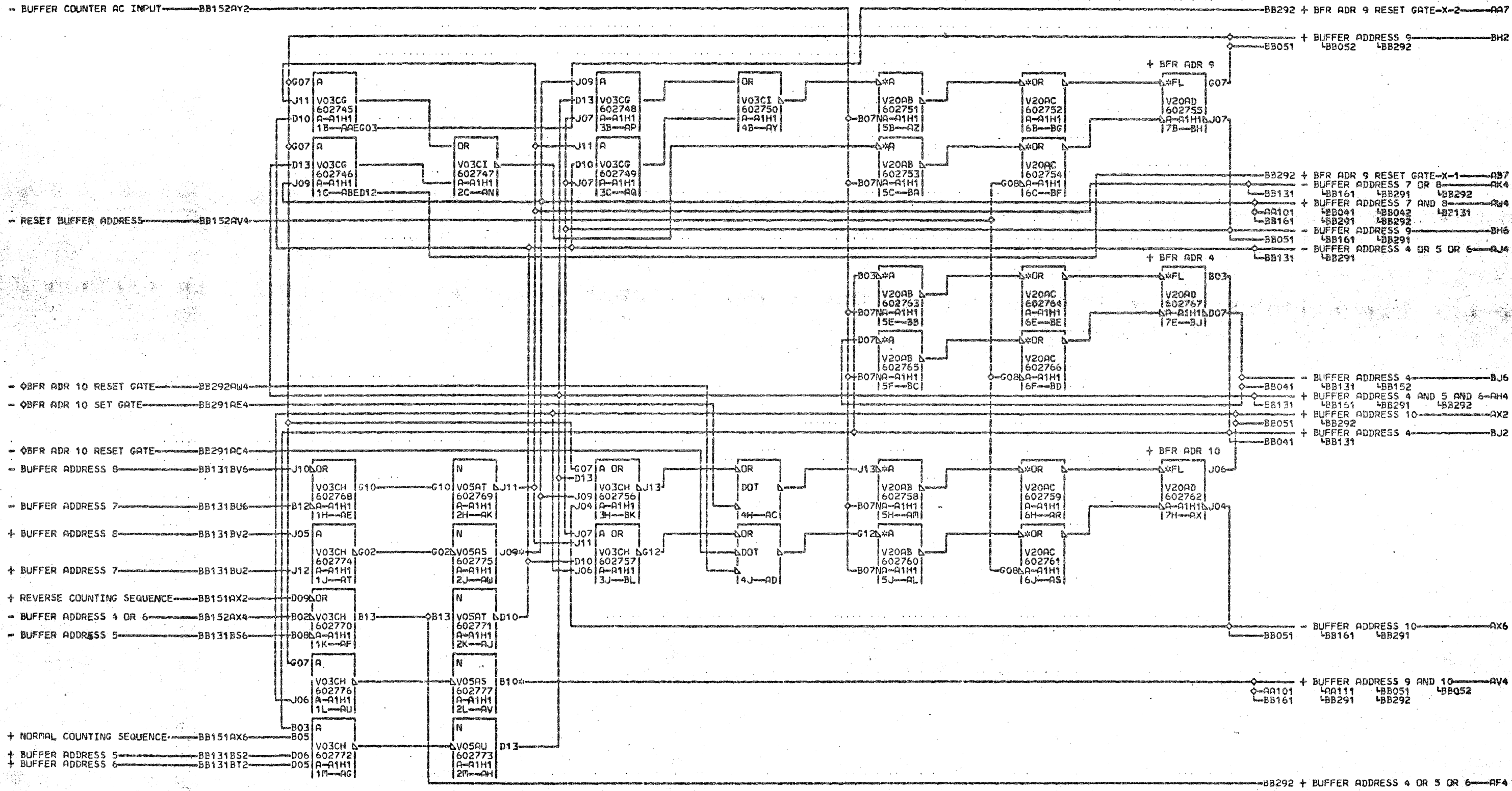
BV2 A-A1N6B04  
01A-B1A6B04

07-12-66 506775  
11-15-66 506775A

BUFFER 1			
DATE	03-09-67	MACH.	1971
LOG	1164	FRAME	01
		P.No.	1176260
IBM CORP.	LX	BLK.	BW

B  
1  
3  
1  
000

B  
1  
3  
1  
000



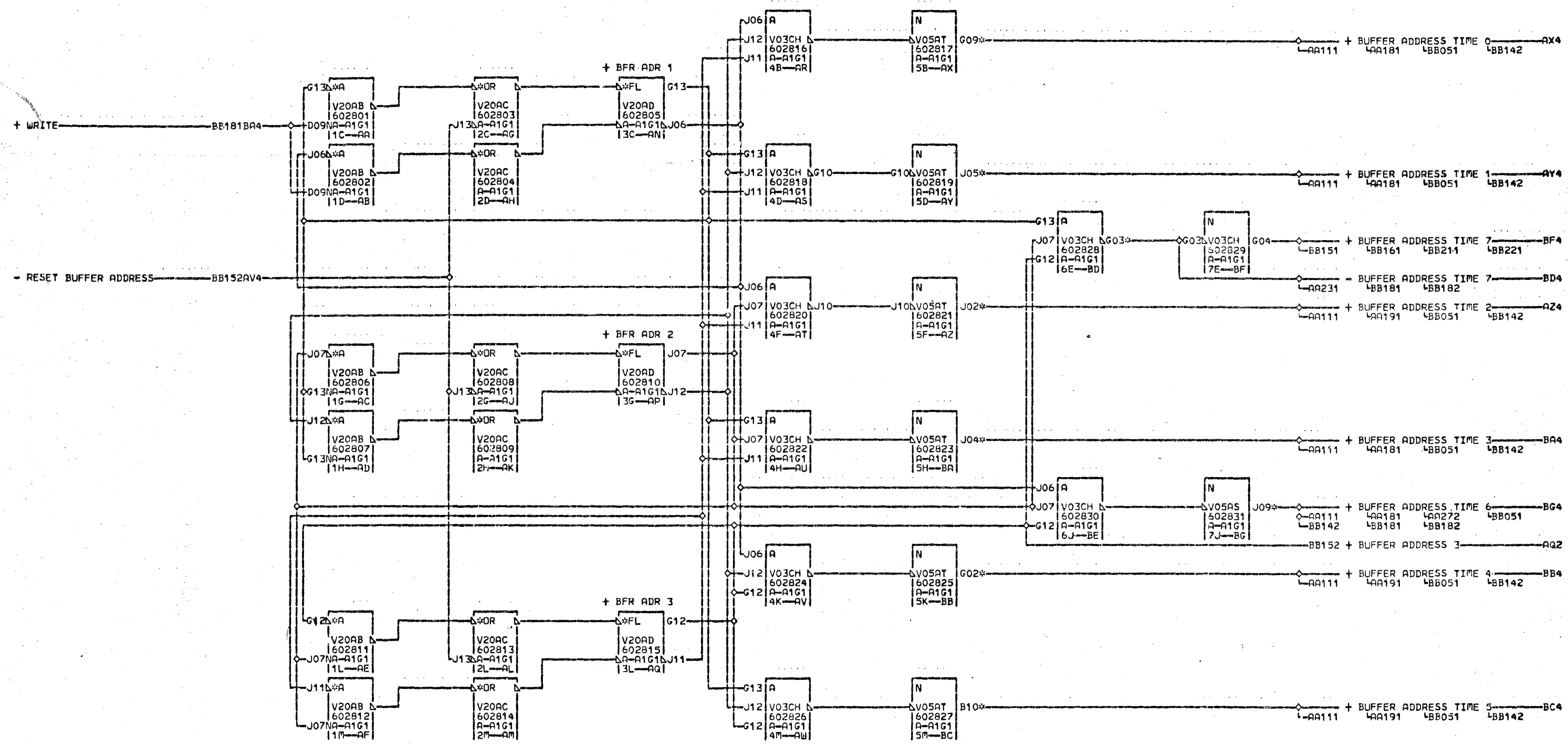
AV4 A-A1N5B04  
 01A-B1A5B04  
 A-A A-A1N6B03  
 01A-B1A6B03

07-12-66 506775  
 11-15-66 506775A

BUFFER 1			
DATE	03-09-67	MACH.	1971
LOG	1164	FRAME	01
		P.No.	1176261
IBM CORP.	LX	BLK.	BM

000

000



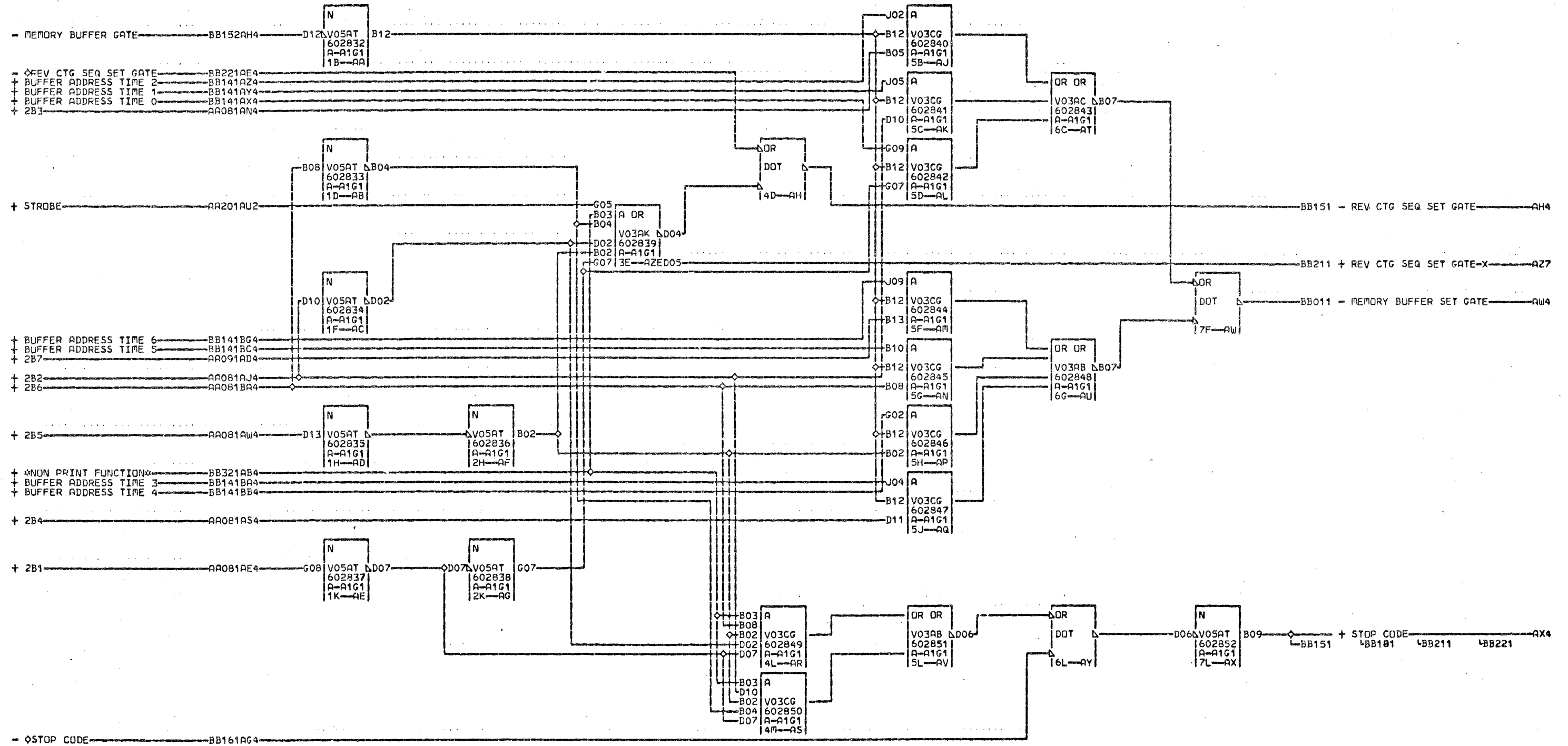
AX4 A-A1N1D06 01A-B1A1D07  
 01A-B1A1D06 BC4 A-A1N7B05  
 AY4 A-A1N2D03 01A-B1A7B05  
 01A-B1A2D03 BD4 A-A1N1B07  
 AZ4 A-A1N1D12 01A-B1A1B07  
 01A-B1A1D12 BG4 A-A1N1B13  
 BA4 A-A1N1D05 01A-B1A1B13  
 01A-B1A1D05  
 BB4 A-A1N1D07

08-11-66 506775  
 11-15-66 506775A

BUFFER 3			
DATE	03-09-67	MACH.	1971
LOG	1164	FRAME	01
		P.No.	1176262
IBM CORP.	LX	BLK.	BH

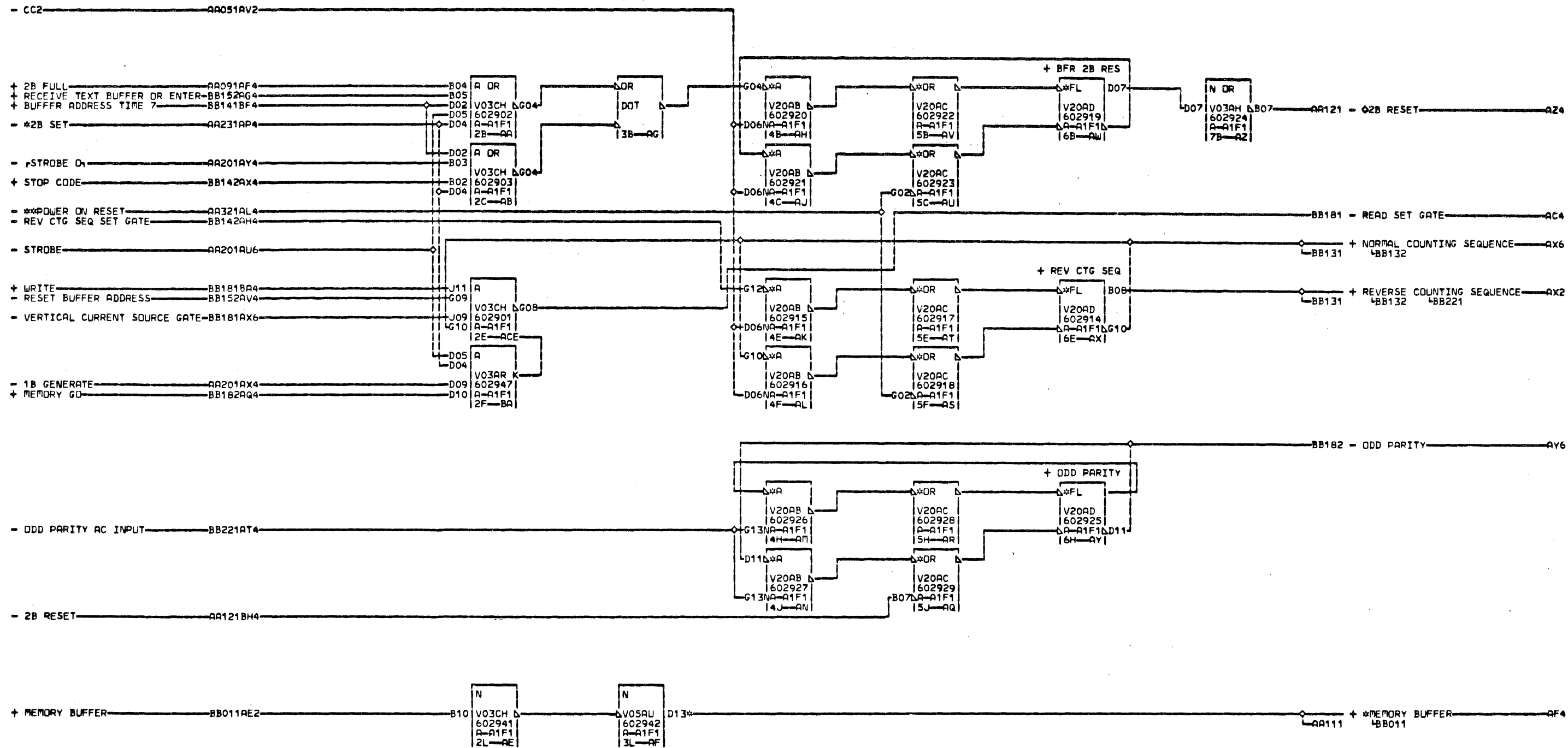
BB141

BB141



07-12-66 506775  
11-15-66 506775A

BUFFER 3			
DATE	03-09-67	MACH.	1971
LOG	1164	FRAME	01
		P.No.	1176263
IBM CORP.	LX	BLK.	BA



AF4 A-A1N1D04  
01A-B1A1D04

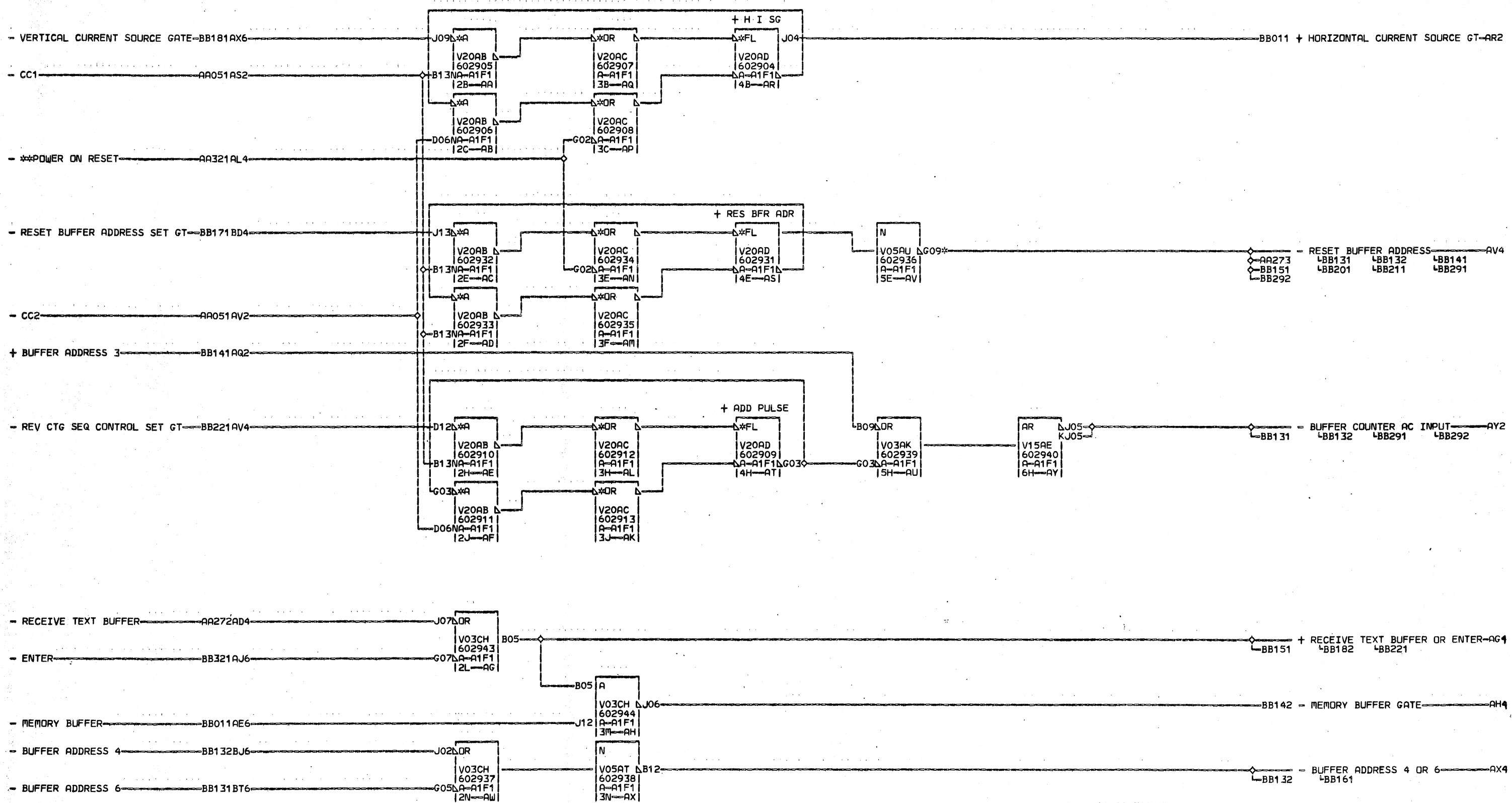
08-11-66 506775  
11-15-66 506775A

BUFFER 4		
DATE	03-09-67	MACH. 1971
LOG	1164	FRAME 01
		PaNo 1176264
IBM CORP.	LX	BLK. BB

BB151  
000

BB151  
000



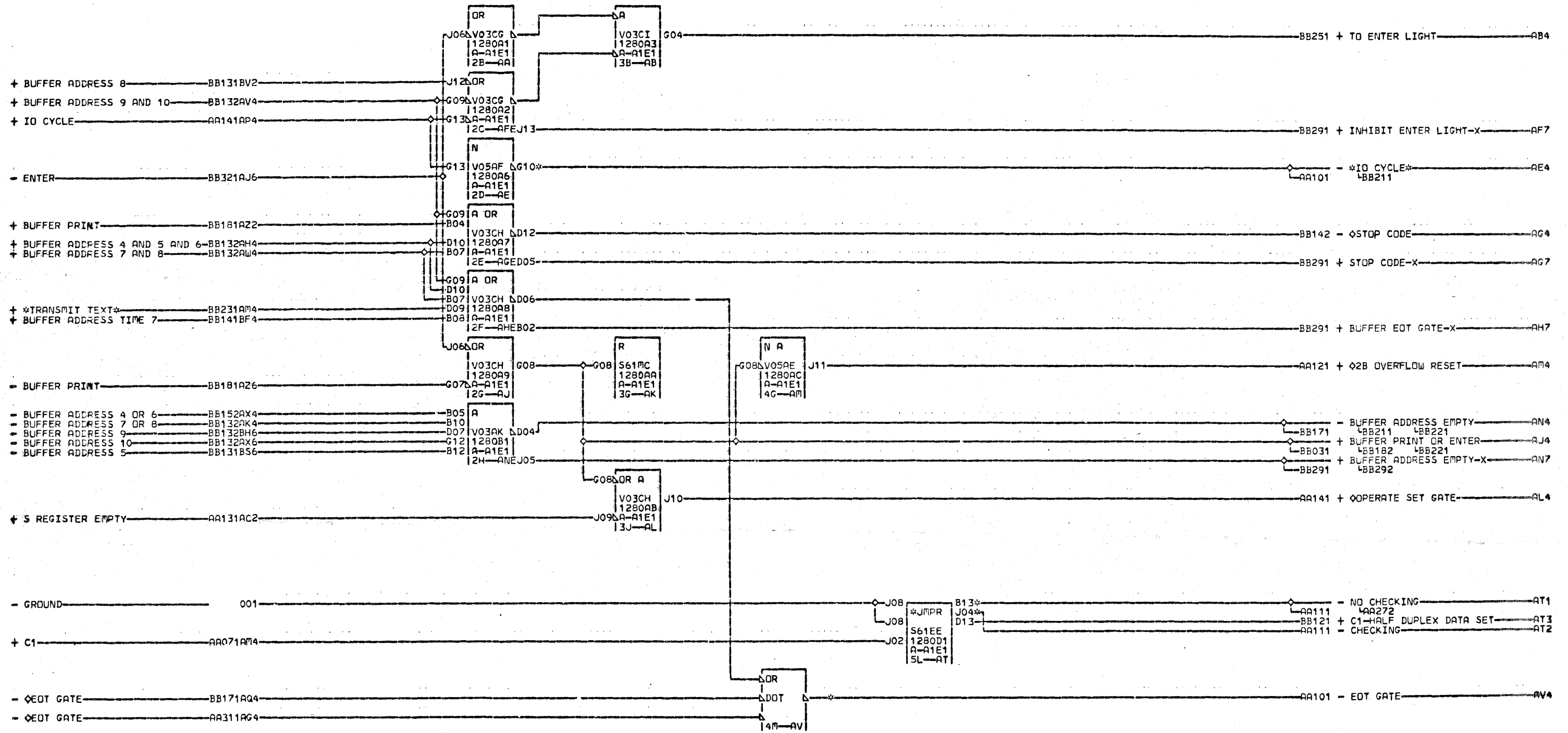


AV4 A-A1M5B10  
 01A-B1B5B10

08-11-66 506775  
 11-15-66 506775A  
 10-02-67 306846

BUFFER 4			
DATE	11-07-67	MACH	1971
LOG	242	FRAME	01
		P.N.	1176265
IBM CORP.	LX	BLK.	AZ

B  
 1  
 5  
 2  
 000



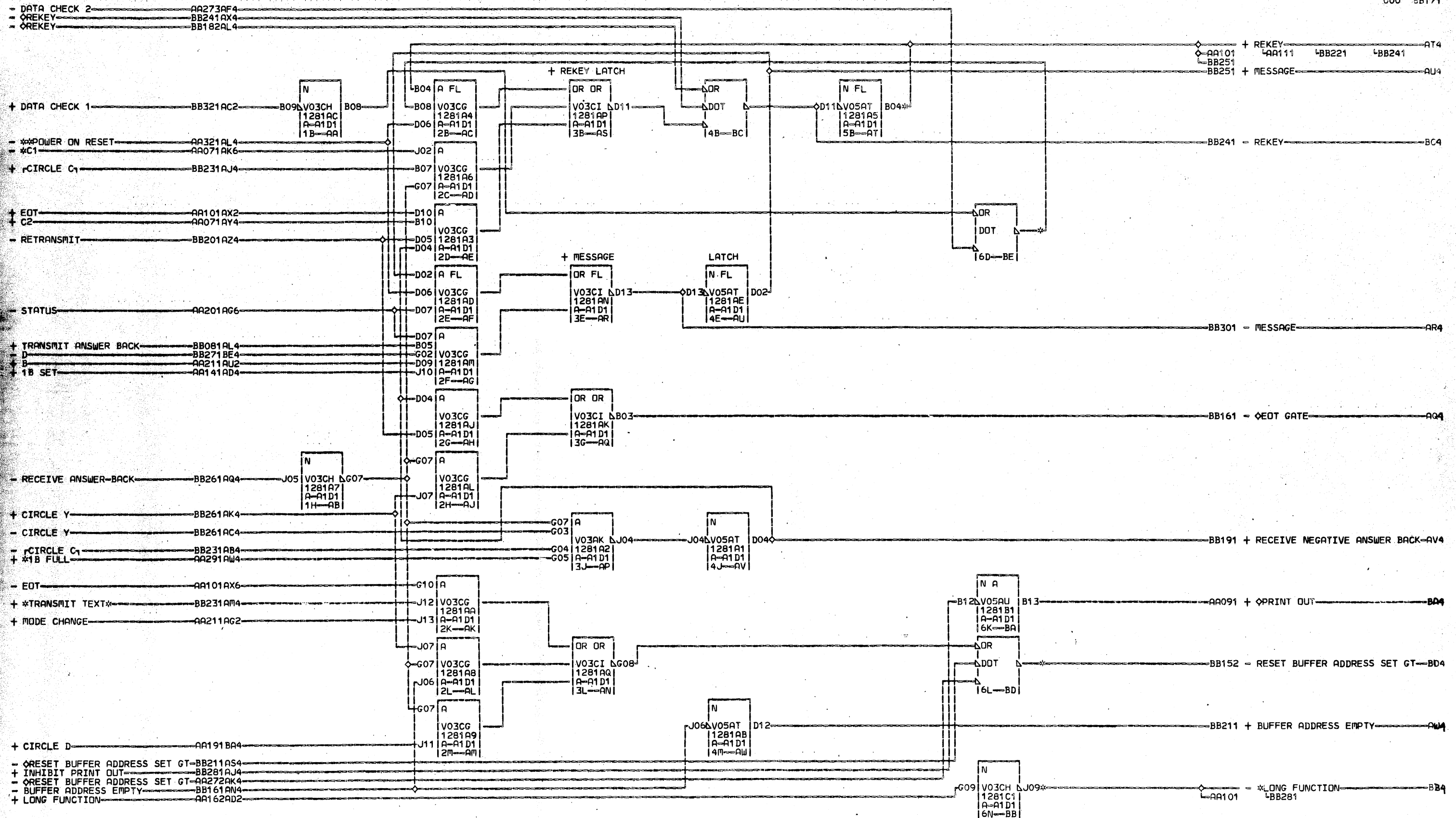
B  
B  
1  
6  
1  
000

RE4 A-A1N1B10  
01A-B1A1B10  
AT1 A-A1N1D13  
01A-B1A1D13  
AT2 A-A1N1D09  
01A-B1A1D09  
AV4 A-A1N3B09  
01A-B1A3B09

08-11-66 506775  
11-15-66 506775A

BUFFER 5			
DATE	03-09-67	MACH.	1971
LOG	1164	FRAME	01
	P.No.	1176266	
IBM CORP.	LX	BLK.	

B  
B  
1  
6  
1  
000

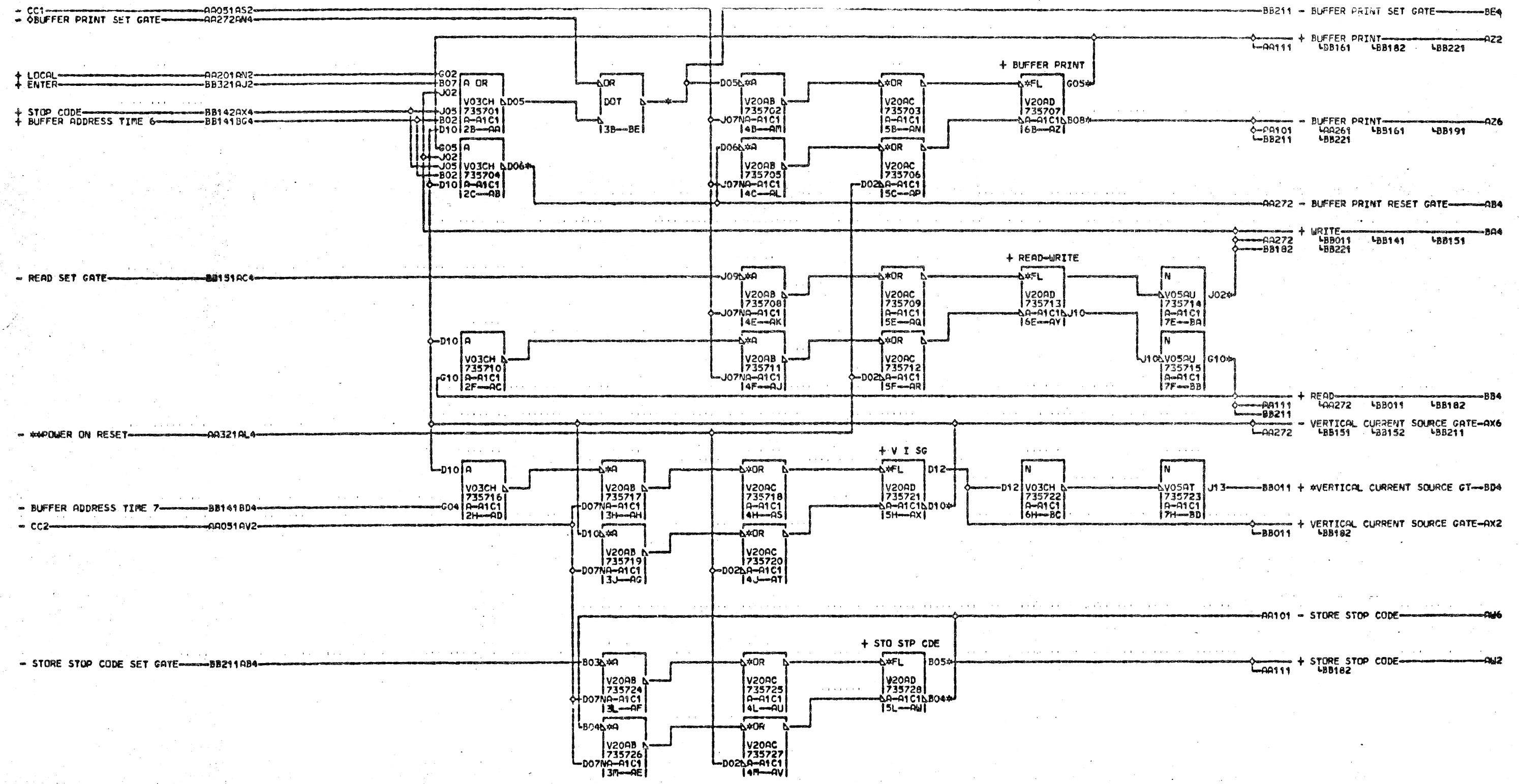


B  
B  
1  
7  
1

AT4 A-A1N4B04  
 01A-B1A4B04  
 BB4 A-A1N1B09  
 01A-B1A1B09  
 BD4 A-A1N6B12  
 01A-B1A6B12  
 BE4 A-A1M5B09  
 01A-B1B5B09

07-12-66 506775  
 11-15-66 506775A  
 06-15-67 306767  
 10-05-67 306846

BUFFER 6			
DATE	11-07-67	MACH	1971
LOG	103	FRAME	01
		P.No	1176267
IBM CORP.	LX	BLK	BF

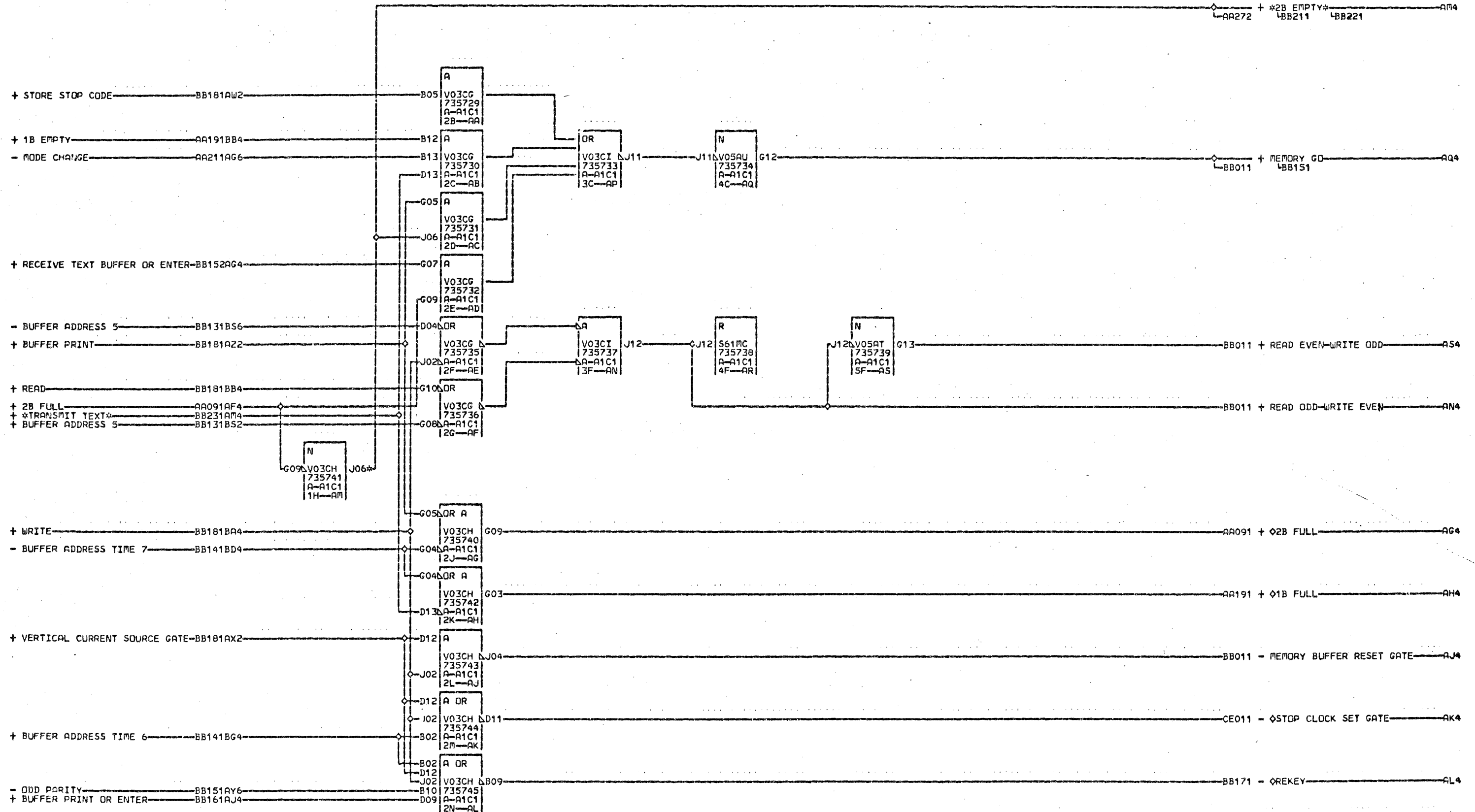


AB4 A-A1N6D10 01A-B1A2B11  
 01A-B1A6D10 A26 A-A1N1B08  
 AW2 A-A1N1D11 01A-B1A1B08  
 01A-B1A1D11 BA4 A-A1M6D07  
 AW6 A-A1N1B12 01A-B1B6D07  
 01A-B1A1B12 BB4 A-A1N1D10  
 AX6 A-A1M4D13 01A-B1A1D10  
 01A-B1B4D13 BE4 A-A1N7D10  
 A22 A-A1N2B11 01A-B1A7D10

07-12-66 506775  
 11-15-66 506775A  
 06-15-67 306767

BUFFER 7			
DATE	06-29-67	MACH.	1971
LOG	101	FRAME	01
		P.No.	1176268
IBM CORP.	LX	BLK.	BF

B  
 B  
 1  
 B  
 1  
 000



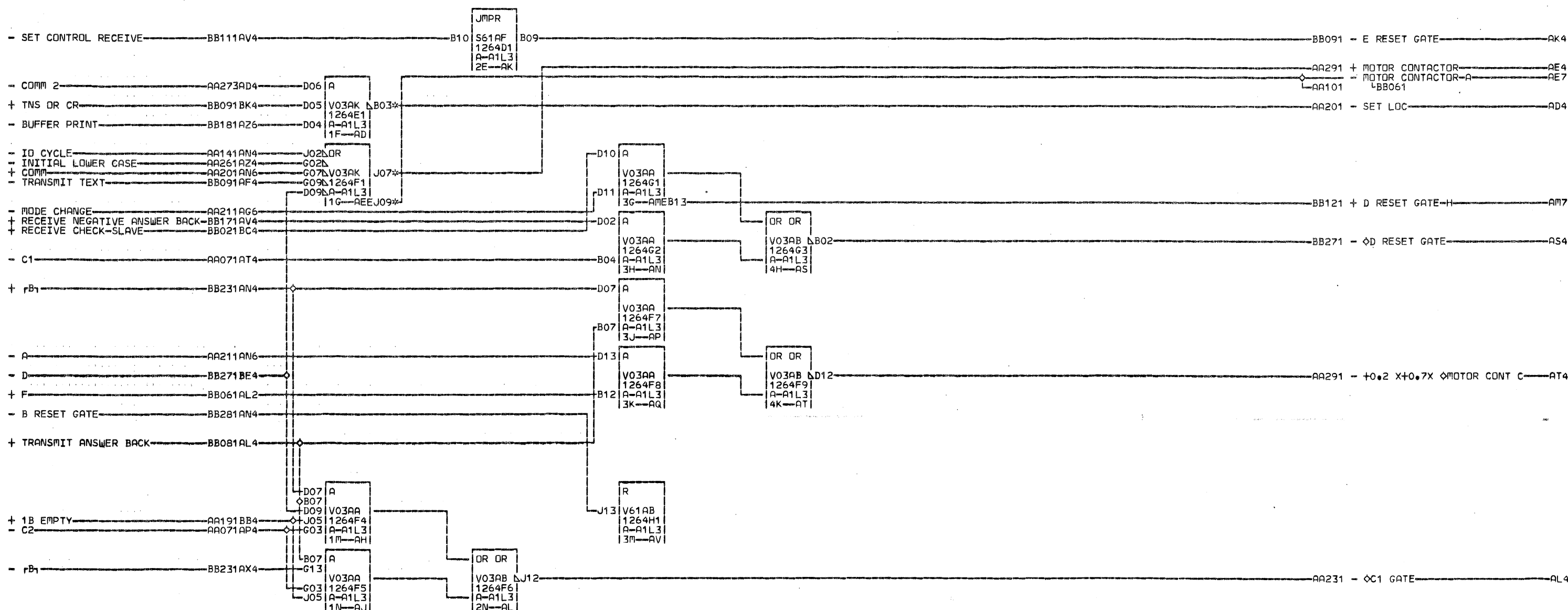
AM4 A-A1N5D13  
O1A-B1A5D13

07-12-66 506775  
11-15-66 506775A

BUFFER 7			
DATE	03-09-67	MACH.	1971
LOG	1164	FRAME	01
		P.N.	1176269
IBM CORP.	LX	BLK.	AT

B  
B  
1  
8  
2  
  
000

B  
B  
1  
8  
2  
  
000



6402400245026903180366

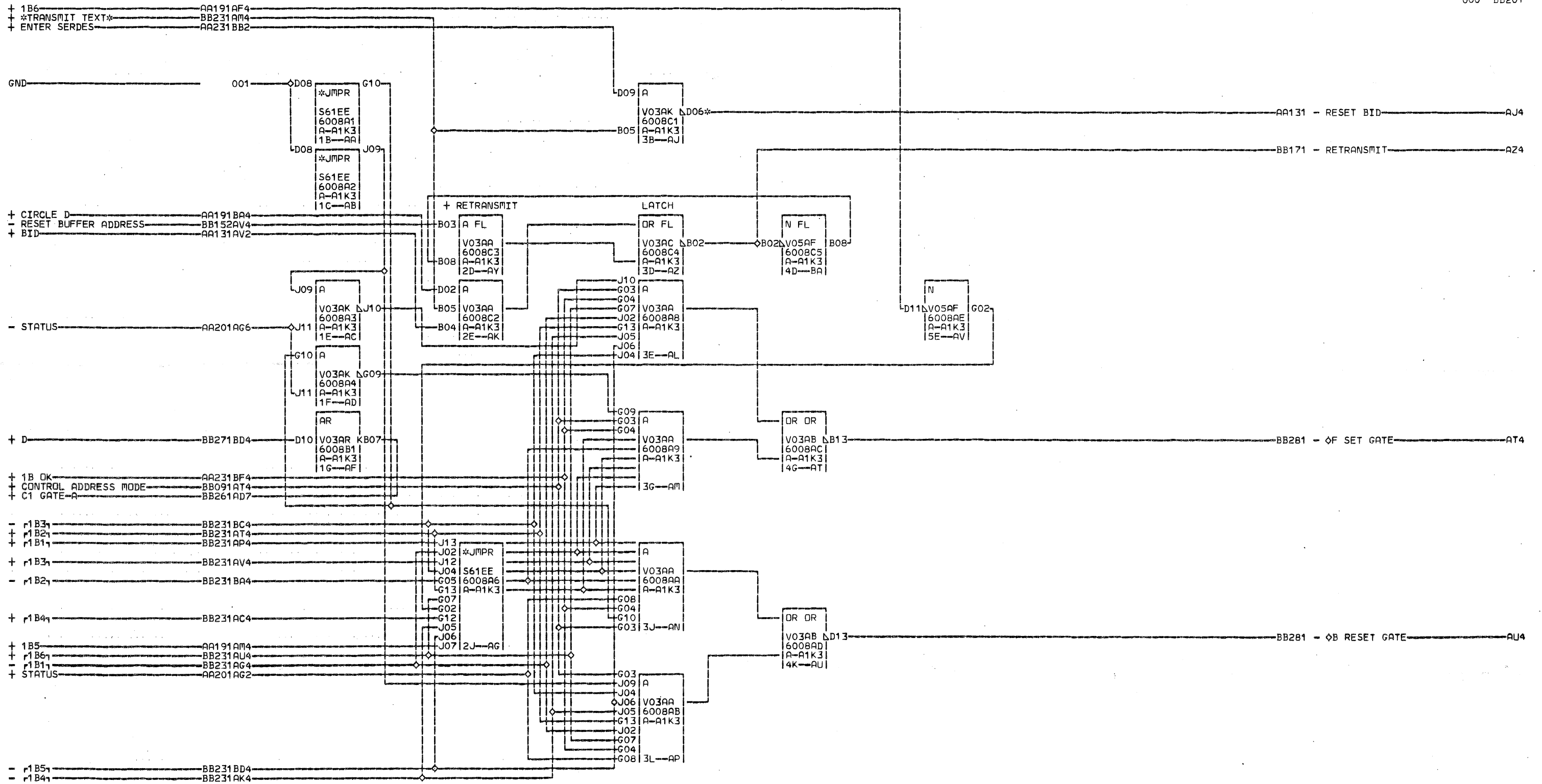
B  
B  
1  
9  
1  
000

AD4 A-A1N6D12  
01A-B1A6D12  
AE4 A-A1N2B06  
01A-B1A2B06  
AE7 A-A1N2B04  
01A-B1A2B04

06-07-66 506775  
11-15-66 506775A  
10-02-67 306846  
03-12-68 307158

STATION CONTROL 1			
DATE	05-16-68	MACH.	1971
LOG	105	FRAME	01
		P.N.	1186261
IBM CORP.	LX	BLK.	AW

B  
B  
1  
9  
1  
000



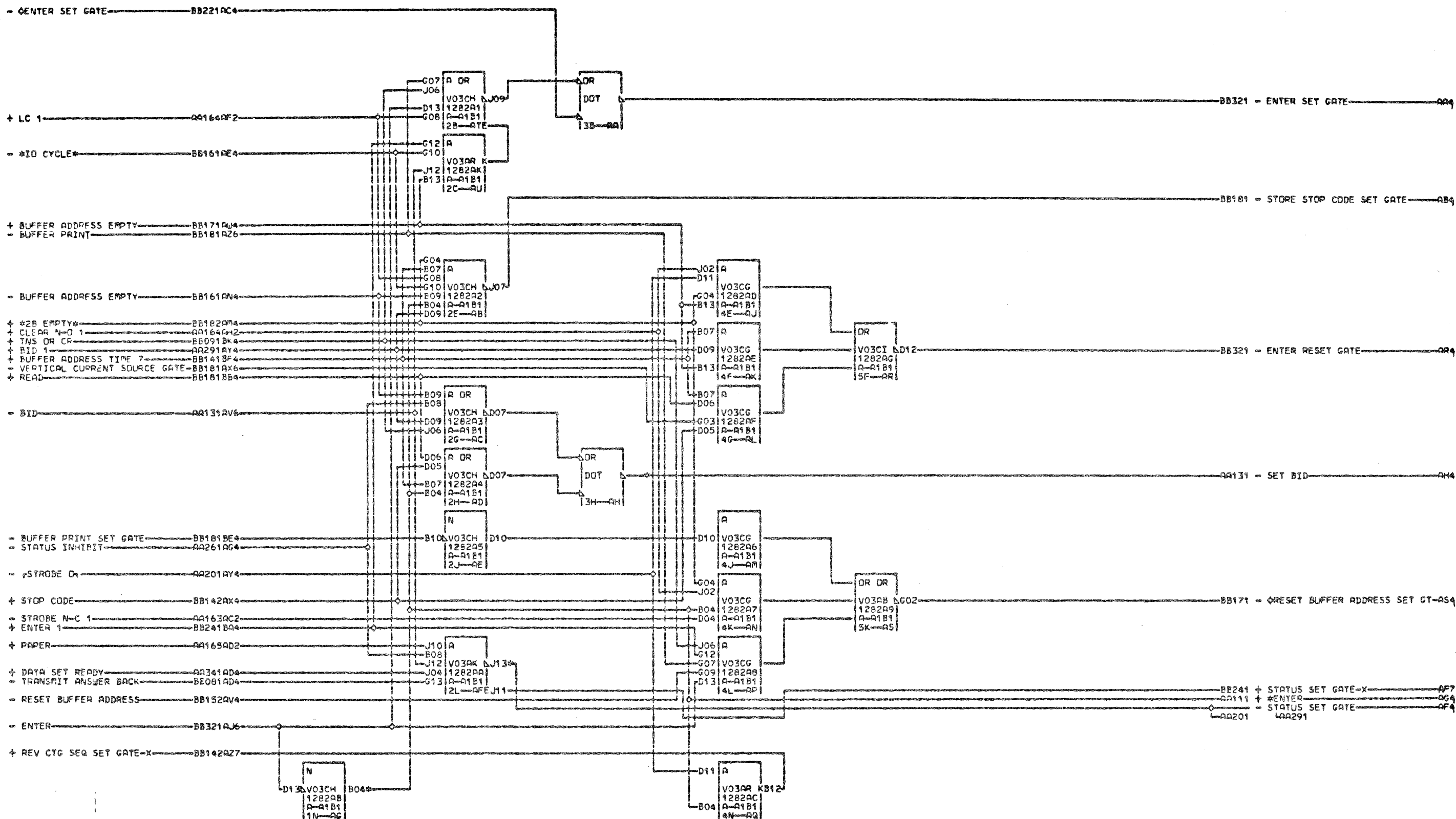
21202400311031B035003530357  
 037003820411  
 AJ4 A-A1N3D04  
 01A-B1A3D04

07-12-66 506775  
 11-15-66 506775A  
 03-12-68 307158

STATION CONTROL 1			
DATE	05-16-68	MACH.	1971
LOG	105	FRAME	01
		P.N.	1186262
IBM CORP.	LX	BLK.	BC

B  
B  
2  
0  
1

B  
B  
2  
0  
1



3  
2  
1  
1  
000

AF4 A-A1NSD04  
01A-B1ASD04  
AC6 A-A1N2D12  
01A-B1A2D12  
AH4 A-A1N6D05  
01A-B1A6D05

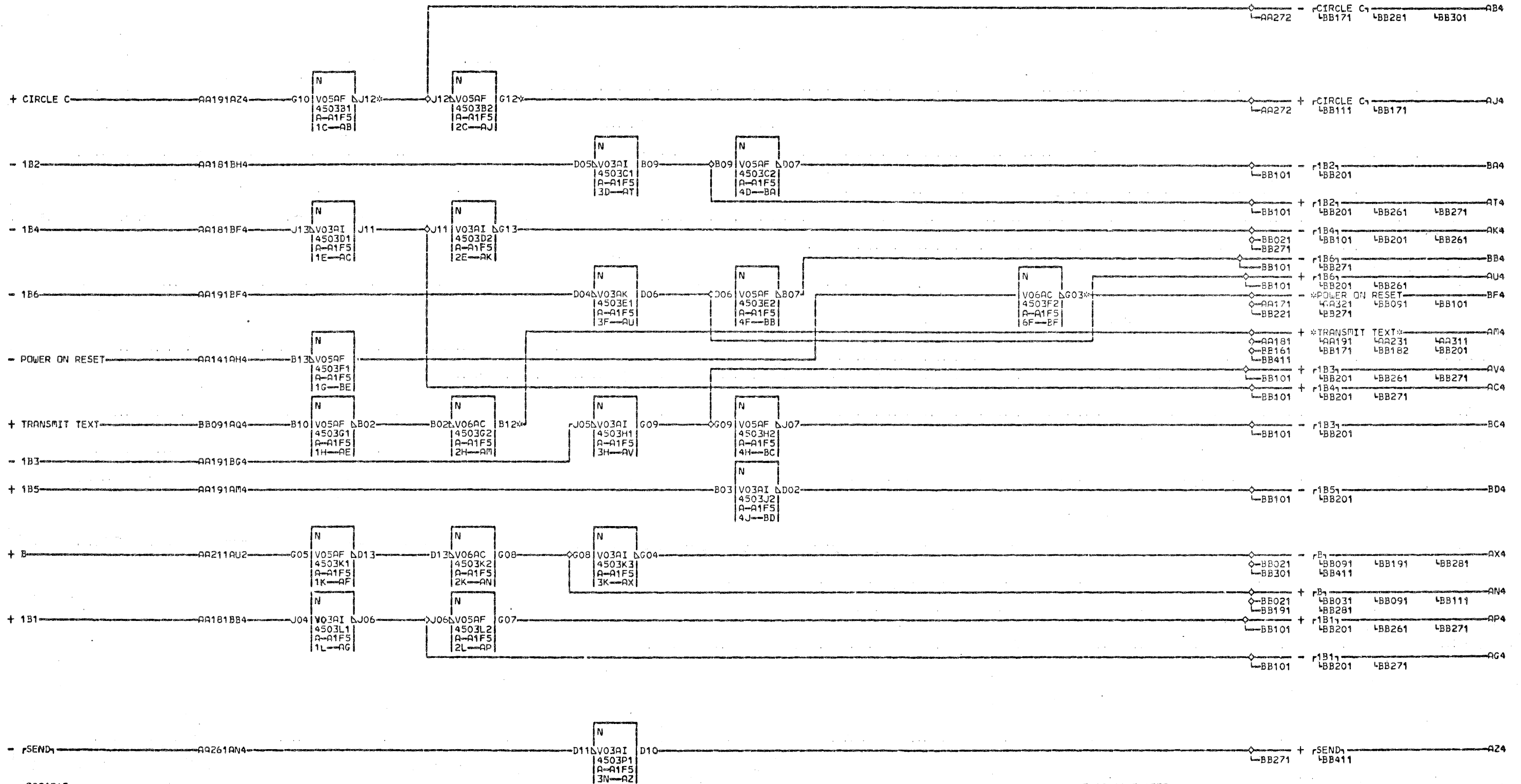
08-11-66 506775  
11-15-66 506775A  
06-15-67 306767

BUFFER B			
DATE	06-29-67	PACH.	1971
LOG	101	FRAME	01
		PoNo	1176270
IBM CORP.	LX	BLK.	AV

3  
2  
1  
1  
000







2089245

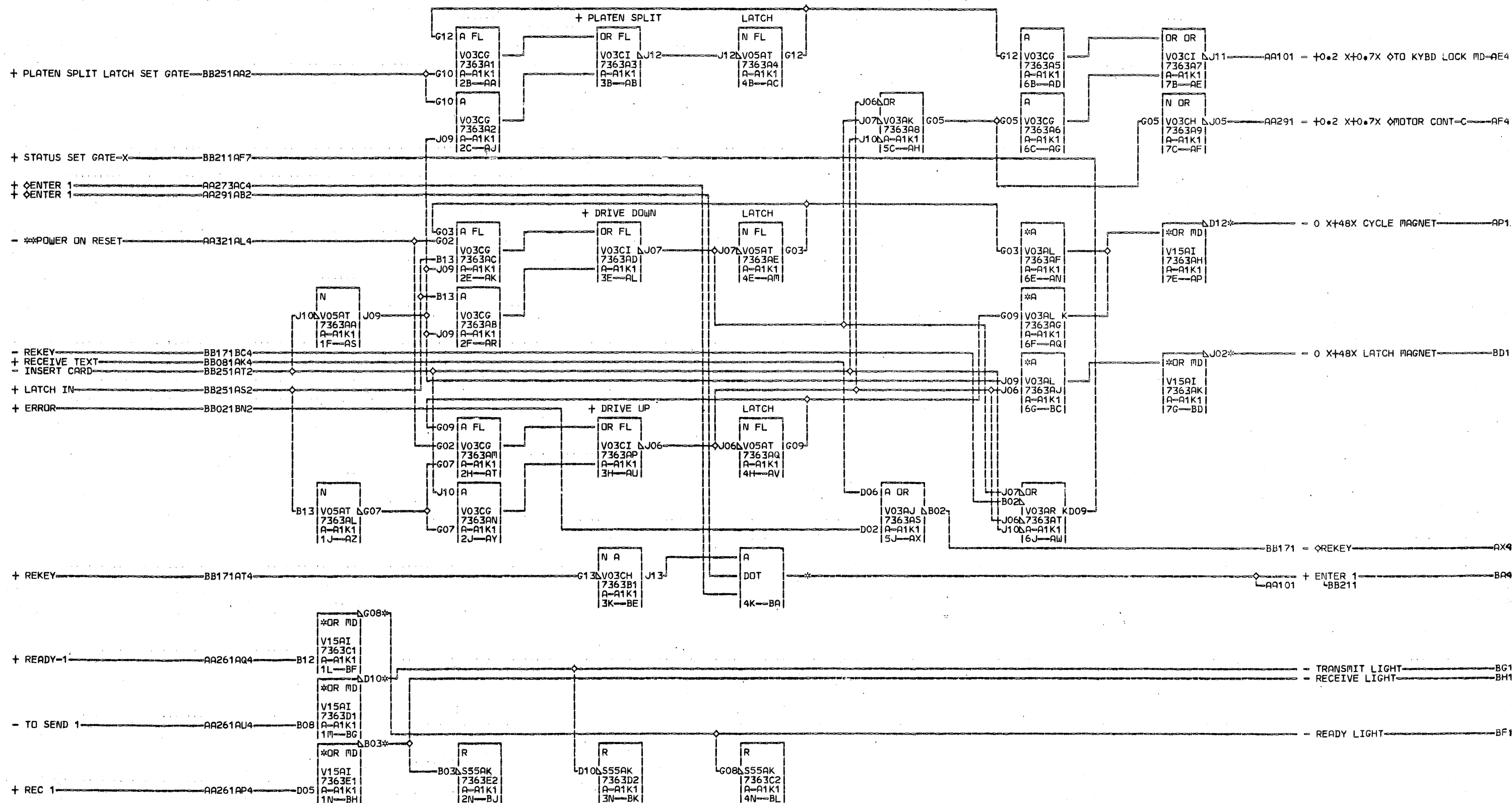
B  
B  
2  
3  
1  
000

AB4 A-A1N6D07  
 01A-B1A6D07  
 AJ4 A-A1N5B13  
 01A-B1A5B13  
 AM4 A-A1N5B03  
 01A-B1A5B03  
 BF4 A-A1N5B05  
 01A-B1A5B05

07-12-66 506775  
 11-15-66 506775A

POWER UP-2			
DATE	03-09-67	MACH.	1971
LOG	1164	FRAME	01
		P.No	1186263
IBM CORP.	LX	BLK.	BG

B  
B  
2  
3  
1  
000

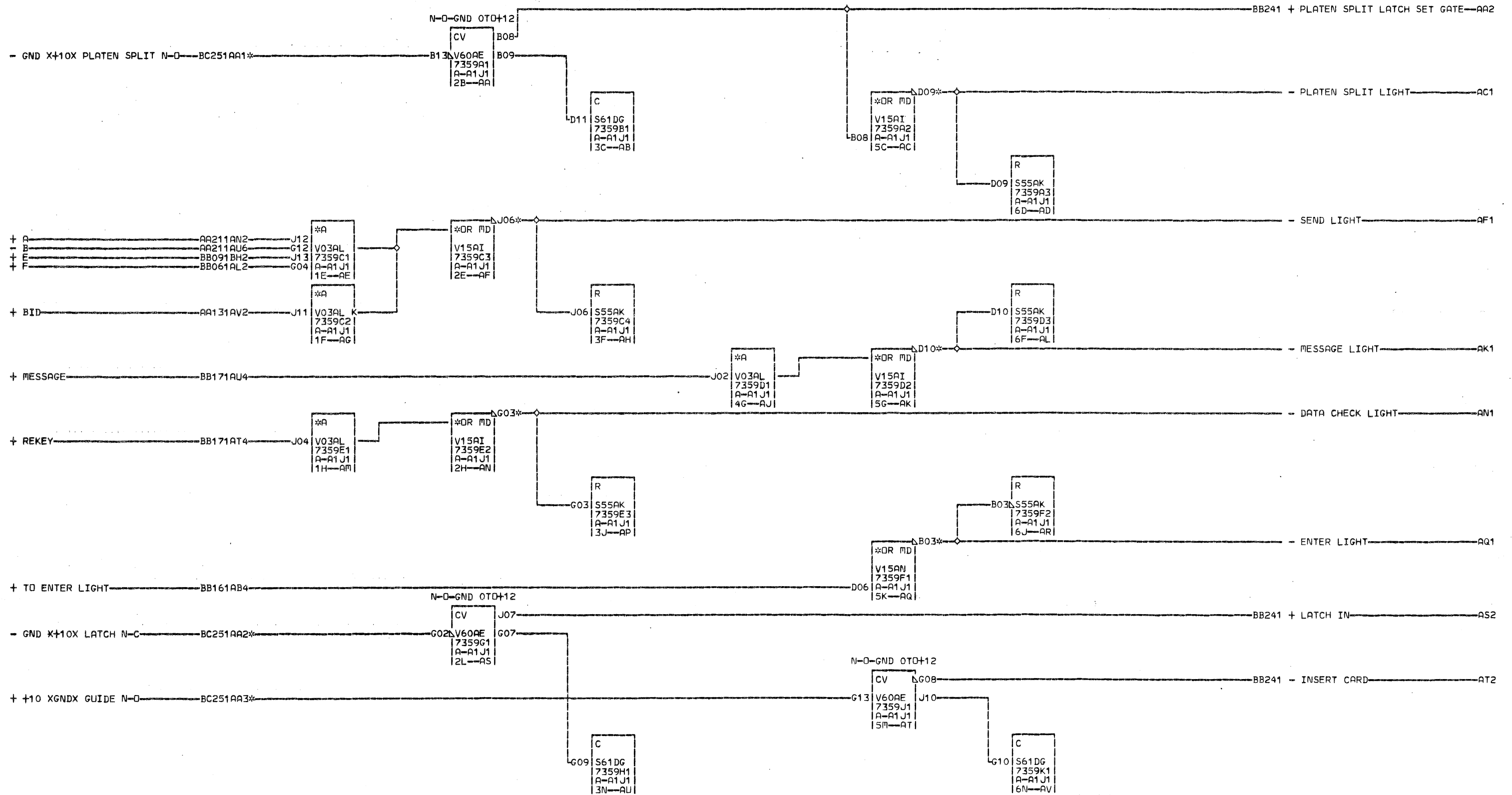


AP1 A-A1N4B09 01A-B1B6B03  
 01A-B1A4B09 01A-B1M2D02  
 01A-B1M2B12 BG1 A-A1M6B08  
 BA4 A-A1N4B03 01A-B1B6B08  
 01A-B1A4B03 01A-B1M1B13  
 BD1 A-A1N4B10 BH1 A-A1M6B05  
 01A-B1A4B10 01A-B1B6B05  
 01A-B1M2B13 01A-B1M2D05  
 BF1 A-A1M6B03

08-11-66 506775  
 11-15-66 506775A  
 10-02-67 306846

HFC-1			
DATE	11-07-67	MACH	1971
LOG	242	FRAME	01
		P.No.	1176271
IBM CORP.	LX	BLK.	BM

B  
 B  
 2  
 4  
 1  
 000



B  
B  
2  
5  
1  
000

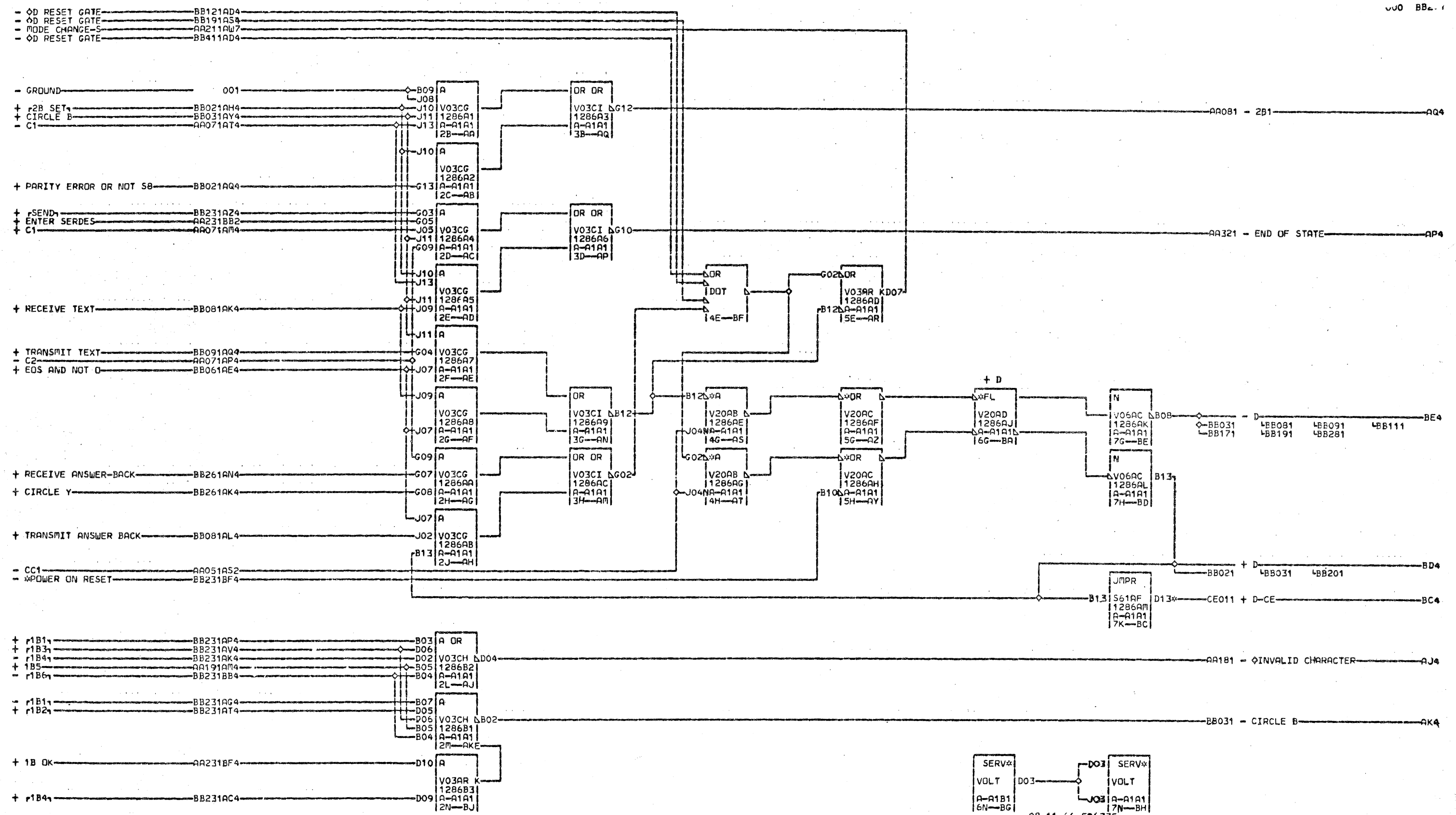
BC251AA1	01A-A1N3D12	AK1 A-A1N3D06
01A-A1N3D10	01A-B1A3D12	01A-B1A3D06
01A-B1A3D10	01A-B1M2B09	01A-B1M2B02
01A-B1M2B08	AC1 A-A1N3D07	AN1 A-A1N3B12
BC251AA2	01A-B1A3D07	01A-B1A3B12
01A-A1N4B05	01A-B1M2B03	01A-B1M2B05
01A-B1A4B05	AF1 A-A1N5B09	AQ1 A-A1N3B10
01A-B1M2B10	01A-B1A5B09	01A-B1A3B10
BC251AA3	01A-B1M2B04	01A-B1M1B12

06-07-66 506775  
11-15-66 506775A  
03-12-68 307158

HFC-2			
DATE	05-16-68	MACH.	1971
LOG	105	FRAME	01
		P.N.	1176272
IBM CORP.	LX	BLK.	AW

B  
B  
2  
5  
1  
000





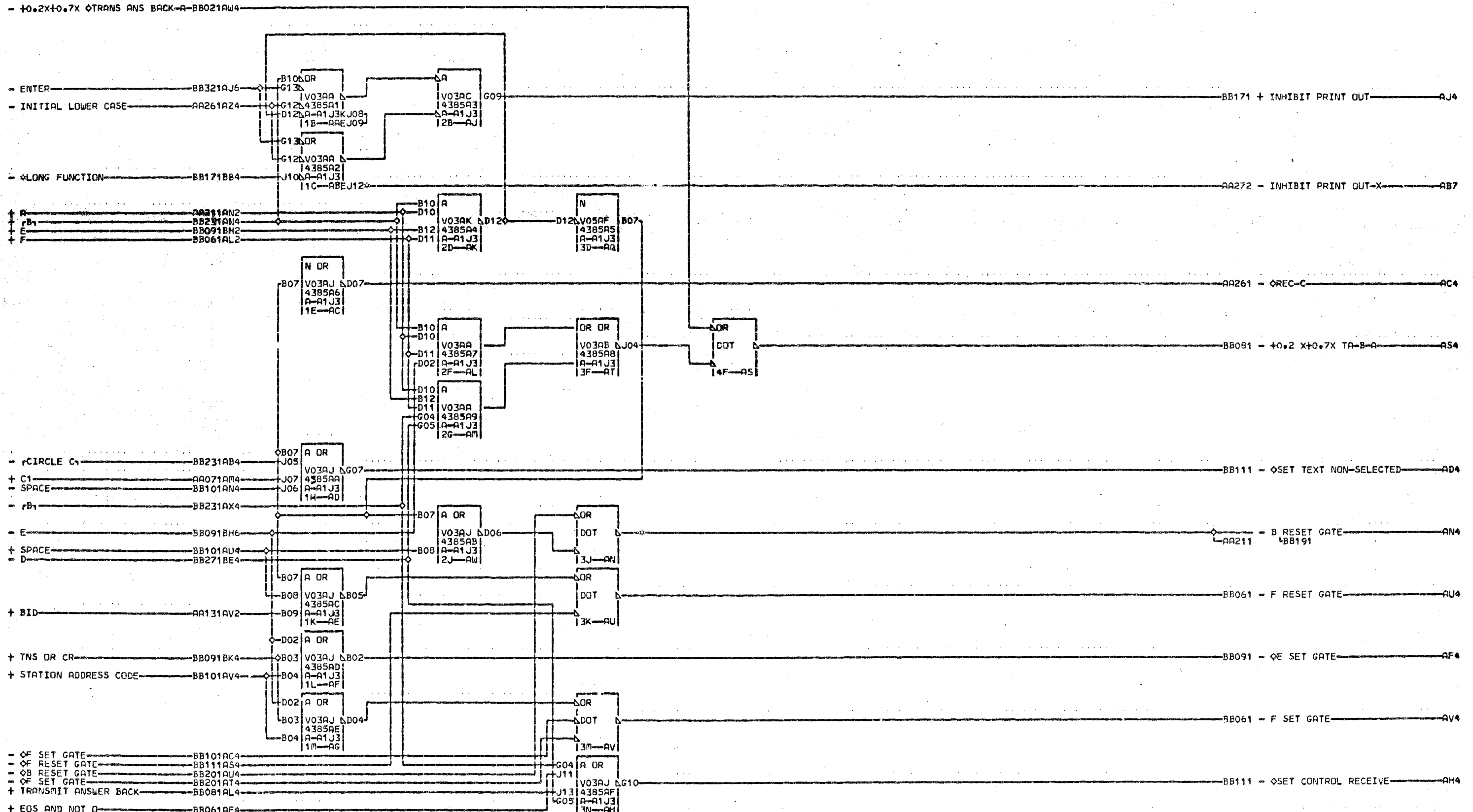
BC4 A-A1N1D02  
 01A-B1A1D02  
 01A-B1B1D09

SERV\* VOLT DO3 SERV\* VOLT  
 A-A1B1 6N-BG A-A1A1 7N-BH  
 08-11-66 506775  
 11-15-66 506775A

BUFFER CHECKING  
 DATE 03-09-67 MACH. 1971  
 LOG 1164 FRAME 01  
 P.No. 1176273  
 IBM CORP. LX BLK. BK

BB271  
 000

BB271  
 000



+ EDS AND NOT 0  
 202023802550282029003110350  
 3530357  
 B  
 B  
 2  
 8  
 1  
 000

AB7 A-A1N7B11  
 C1A-A1A7B11  
 AN4 A-A1N3B08  
 O1A-B1A3B08

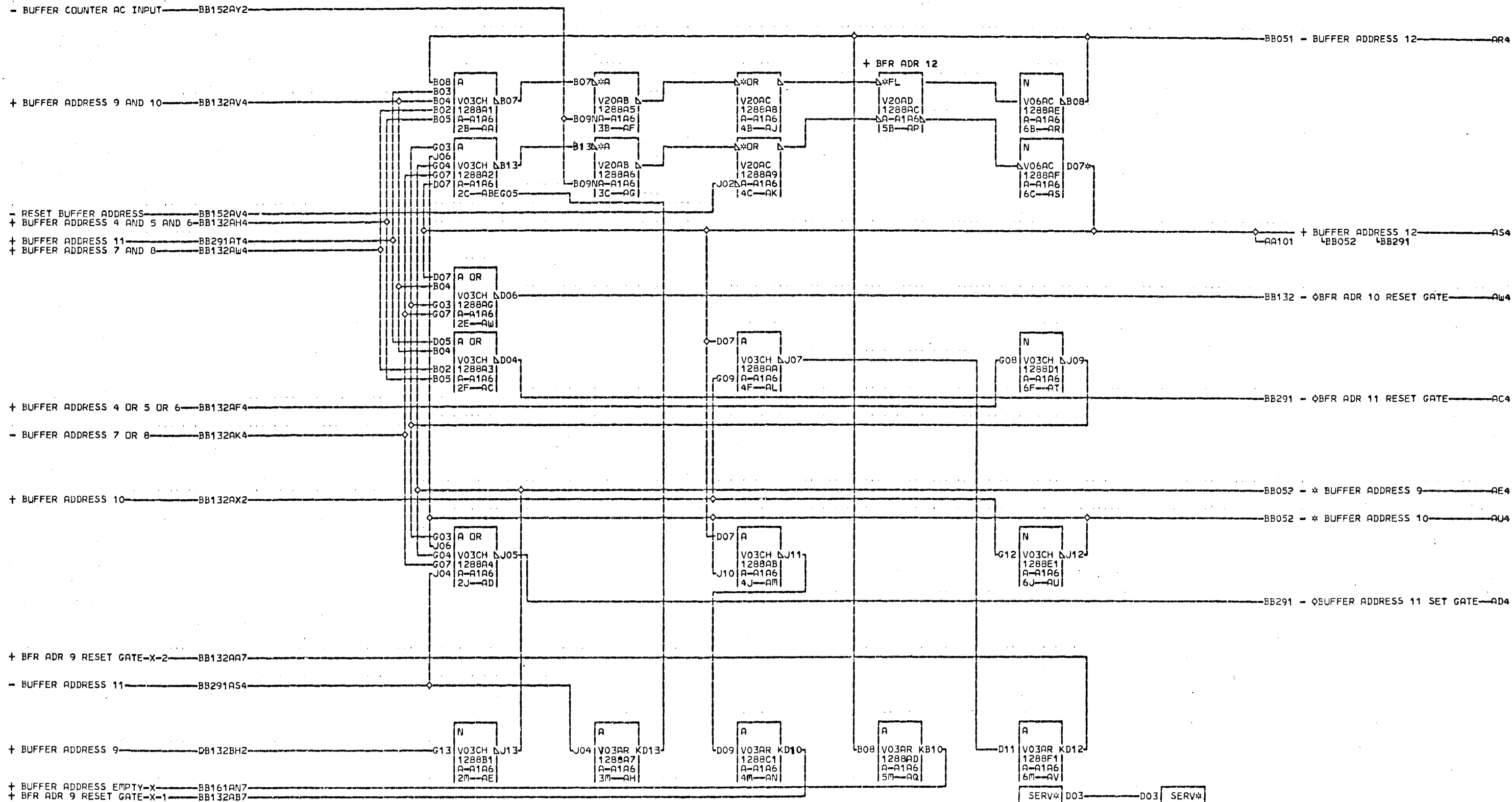
07-12-66 506775  
 11-13-66 506775A

STATION CONTROL 1		
DATE	03-09-67	MACH. 1971
LOG	1164	FRAME 01
	P.No.	1186265
IBM CORP.	LX	BLK. AX

B  
B  
2  
8  
1  
000







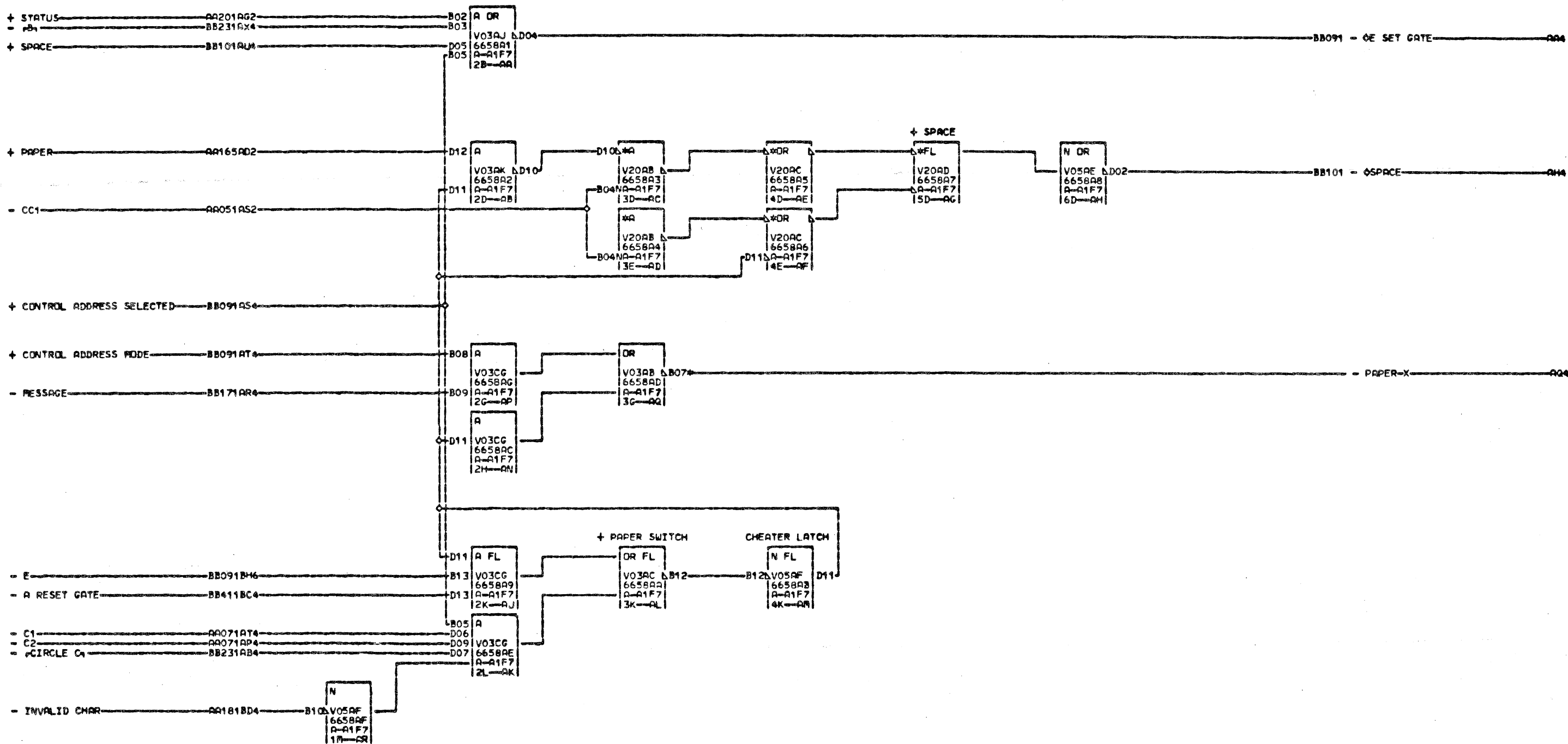
AS4 A-A1M6B12  
01A-B1B6B12

08-11-66 506775  
11-15-66 506775A

BUFFER ADDRESS EXTENSION-2		
448 CHARACTER		
DATE	03-09-67	MACH. 1971
LOG	1164 FRAME	01
P.N. 1186303		
IBM CORP.	LY BLK.	AZ

B  
B  
2  
9  
2  
000

B  
B  
2  
9  
2  
000



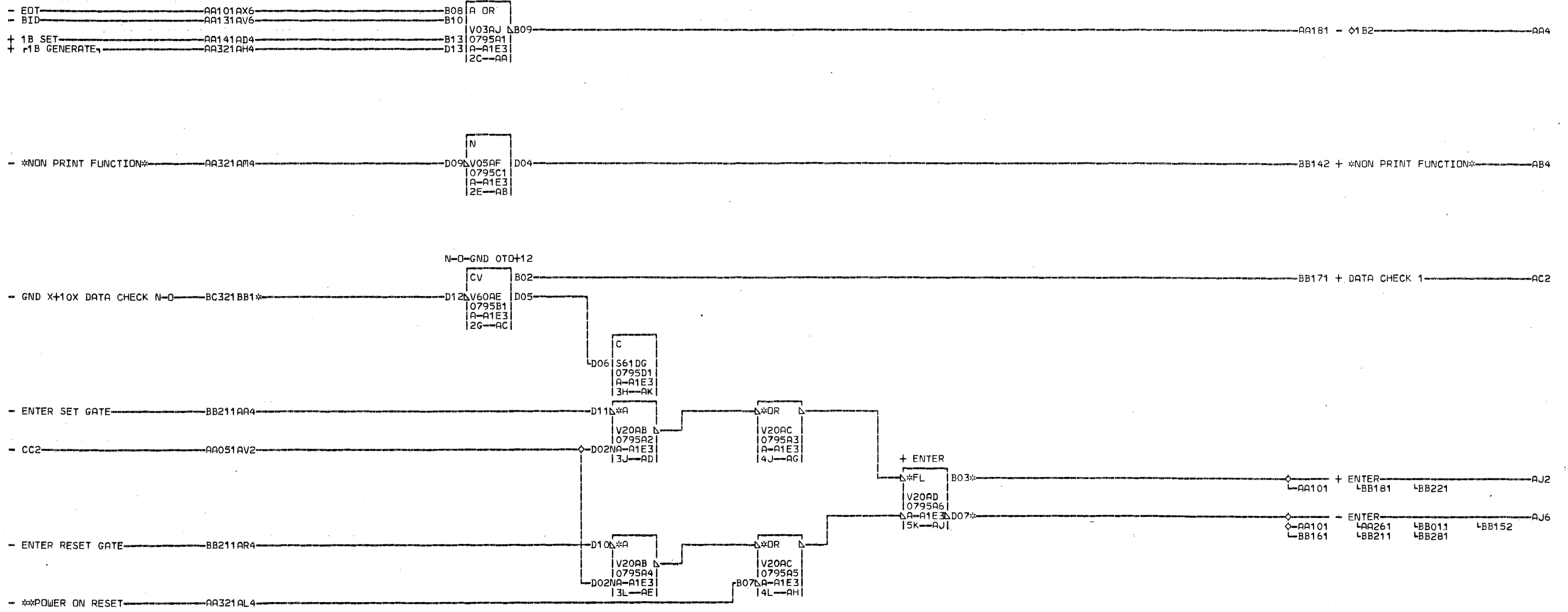
AQ4 A-A1M6D10  
 O1A-B1B6D10  
 O1A-B1M1B10

11-15-66 506775A  
 06-15-67 306767

MFC-3			
DATE	06-29-67	PACHs	1971
LOG	101	FRAME	01
		PcNo	1186495
IBR CORP.	LX	BLKs	AS

88301  
 000

88301  
 000



220  
B  
B  
3  
2  
1  
000

BC321BB1  
01A-A1N3B13  
01A-B1A3B13  
01A-B1M2B07  
AJ2 A-A1N3B04  
01A-B1A3B04  
AJ6 A-A1N3B03  
01A-B1A3B03

07-12-66 506775  
11-15-66 506775A  
03-12-68 307158

VRC + SC1				B
DATE	05-16-68	MACH.	1971	3
LOG	105	FRAME	01	2
		P.N.	1186266	1
IBM CORP.	LX	BLK.	AL	000

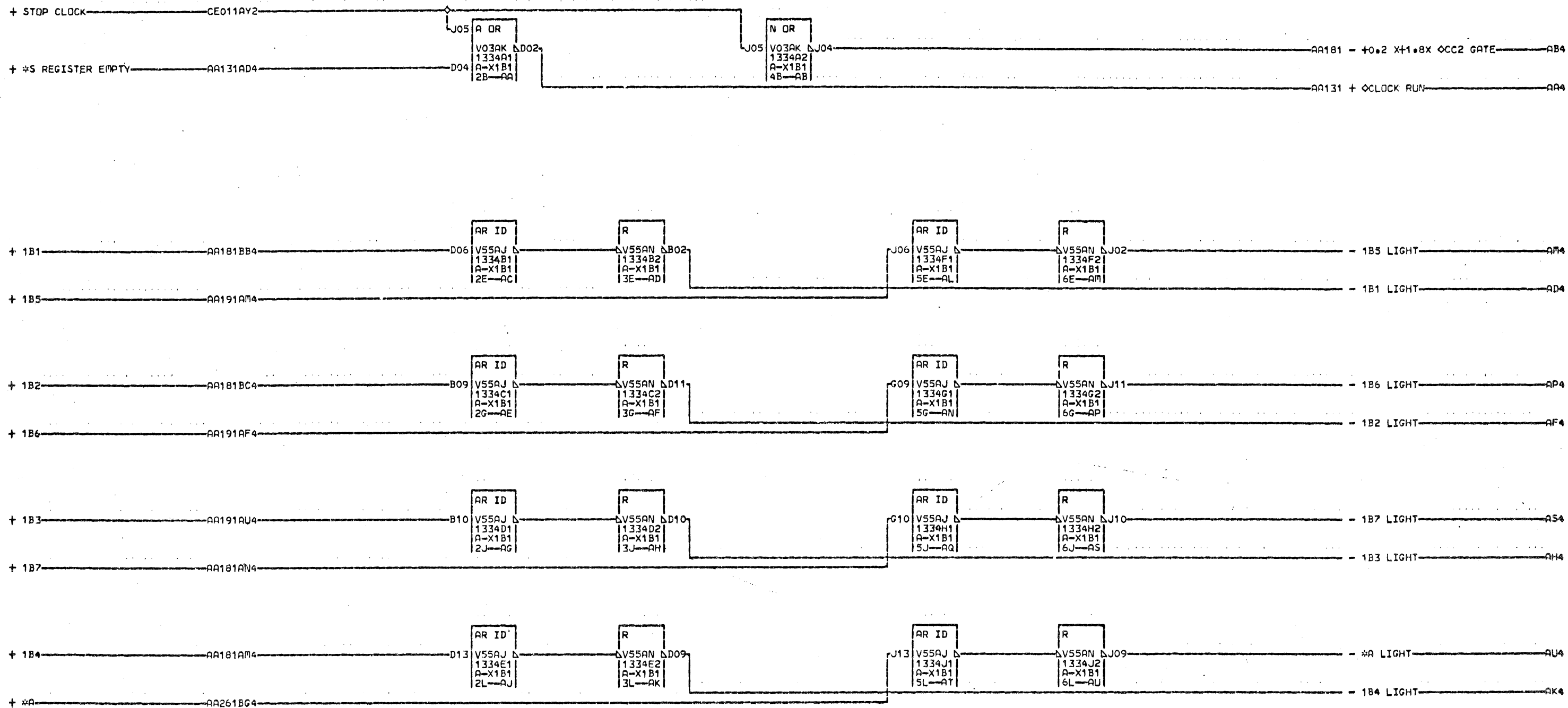












NOTE-THIS PAGE REPRESENTS THE  
CE AIDS-2 LOGIC WHEN THE  
1B REGISTER IS BEING MONITORED

CE  
021

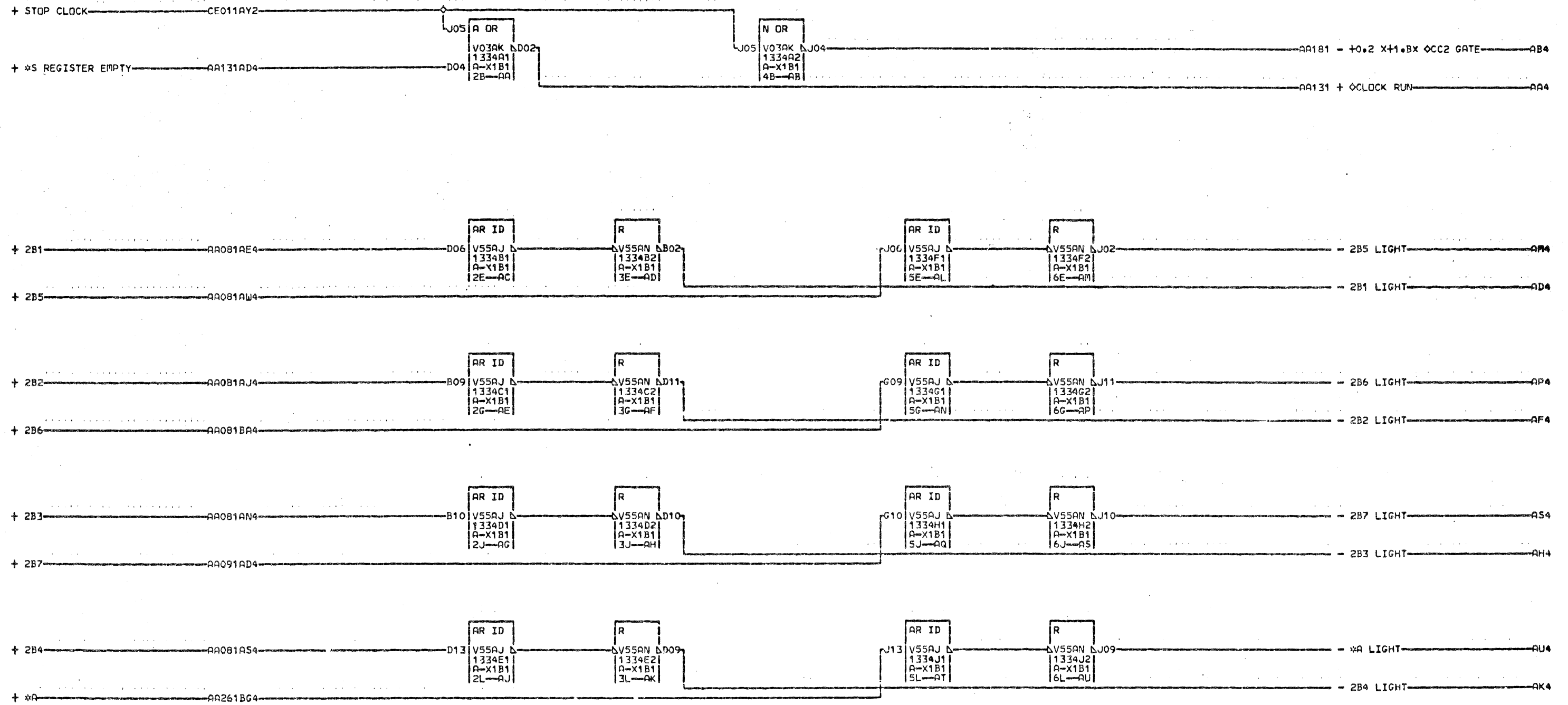
000

06-07-66 506775  
11-15-66 506775A

1B REGISTER C E AIDS-2		
DATE	03-09-67	MACH. 1971
LOG	1164	FRAME 01
	P.N.	1186269
IBM CORP.	LX BLK.	AV

CE  
021

000



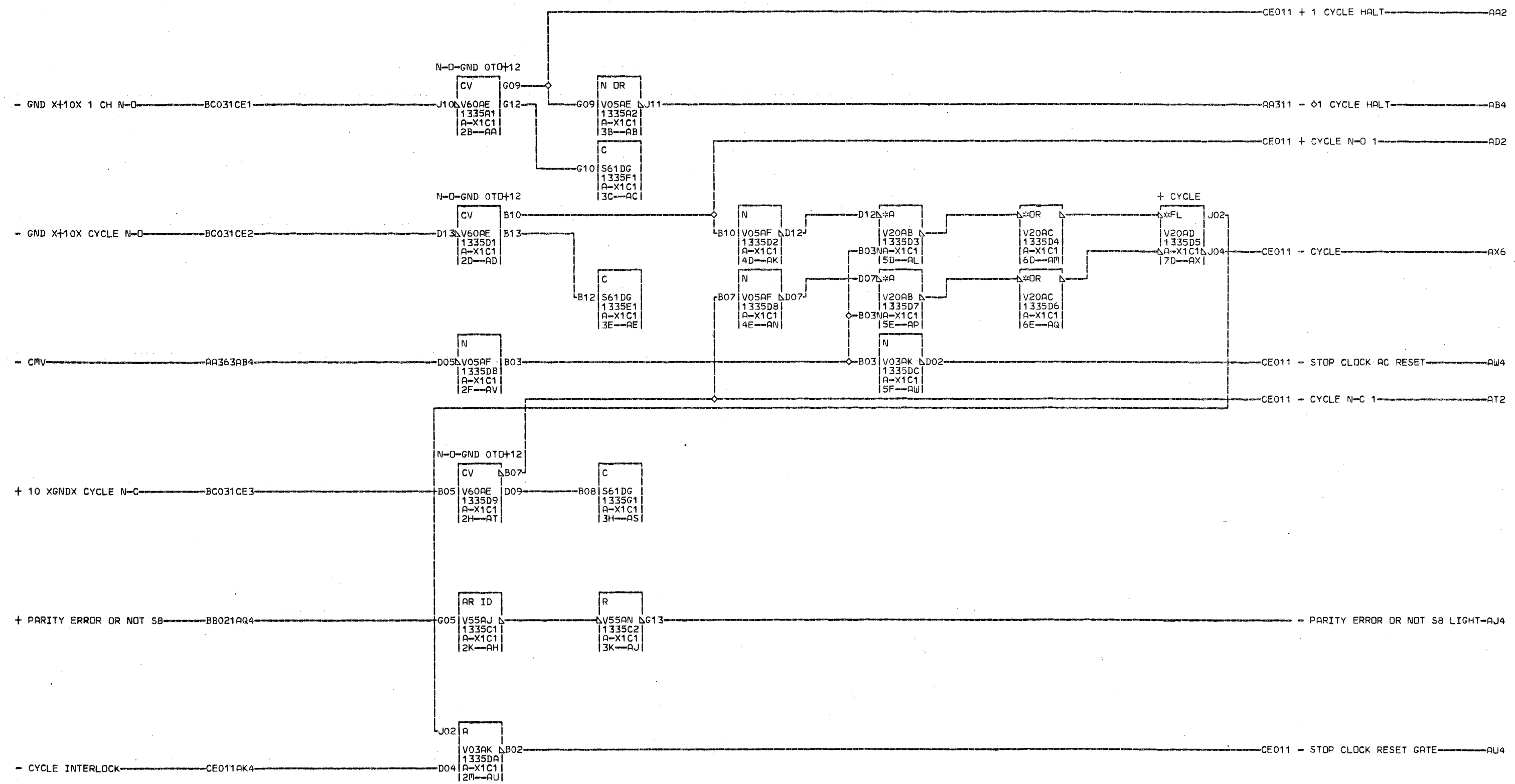
2460315  
 NOTE-THIS PAGE REPRESENTS THE  
 CE AIDS-2 LOGIC WHEN THE  
 2B REGISTER IS BEING MONITORED

CE022  
 000

06-07-66 506775  
 11-15-66 506775A

2B REGISTER C E AIDS-2		
DATE	03-09-67	MACH. 1971
LOG	1164	FRAME 01
	P.No.	1186288
IBM CORP.	LX BLK.	AV

CE022  
 000

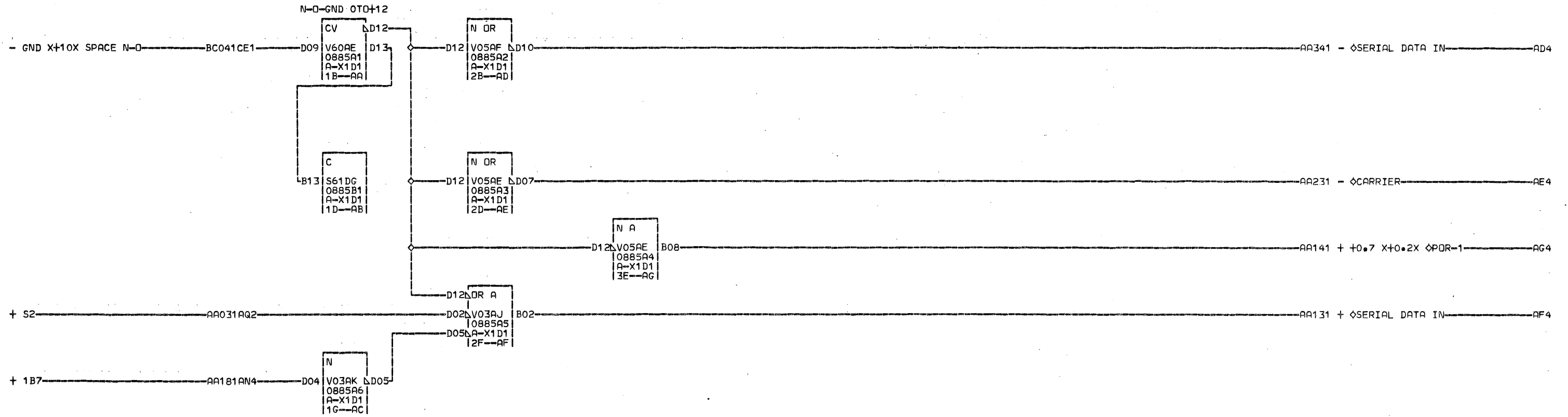


27203150347  
 CE031  
 000

08-11-66 506775  
 11-15-66 506775A  
 03-12-68 307158

C E AIDS-3			
DATE	05-16-68	MACH.	1971
LOG	105	FRAME	01
		P.N.	1186289
IBM CORP.	LX	BLK.	AY

CE031  
 000



NOTE-THIS PAGE REPRESENTS THE  
CE AIDS-4 LOGIC WHEN THE  
1B REGISTER IS BEING MONITORED

CE  
04  
1

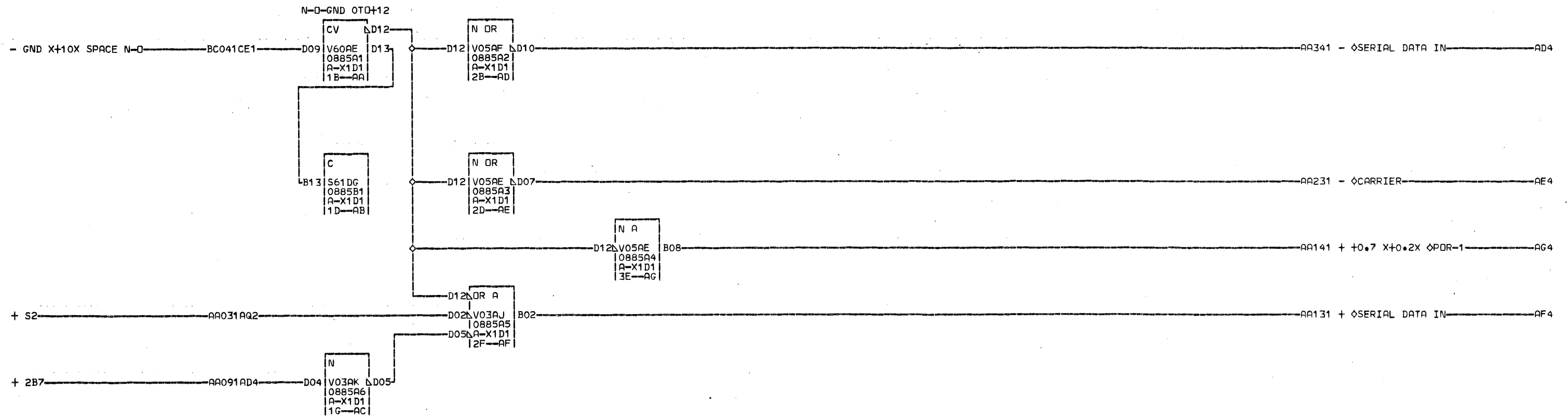
000

08-11-66 506775  
11-15-66 506775A  
03-12-68 307158

1B REGISTER C E AIDS-4			
DATE	05-16-68	MACH.	1971
LOG	105	FRAME	01
		P.N.	1186290
IBM CORP.	LX	BLK.	AH

CE  
04  
1

000



27503150347  
 NOTE-THIS PAGE REPRESENTS THE  
 CE AIDS-4 LOGIC WHEN THE  
 2B REGISTER IS BEING MONITORED

000  
 2  
 2  
 000

08-11-66 506775  
 11-15-66 506775A  
 03-12-68 307158

2B REGISTER C E AIDS-4			
DATE	05-16-68	MACH.	1971
LOG	105	FRAME	01
		P.N.	1186291
IBM CORP.	LX	BLK.	AH

000  
 2  
 000



A1	CONNECTOR
B03	AA091AN4
B04	AA191AM4
B05	AA091AJ4
B06	AA191BG4
B07	BB141BD4
B08	BB181AZ6
B09	BB171BB4
B10	BB161AE4
B11	BB121AJ4
B12	BB181AW6
B13	BB141BG4
D02	BB271BC4
D03	AA101AX2
D04	BB151AF4
D05	BB141BA4
D06	BB141AX4
D07	BB141BB4
D09	BB161AT2
D10	BB181BB4
D11	BB181AW2
D12	BB141AZ4
D13	BB161AT1

A2	CONNECTOR
B03	AA261AG4
B04	BB191AE7
B05	BB061AL6
B06	BB191AE4
B07	AA051AA2
B08	BB081AK4
B09	AA211AU2
B10	AA211AN2
B11	BB181AZ2
B12	BB061AE4
B13	BB091AK4
D02	BB061AL2
D03	BB141AY4
D04	AA231AQ4
D05	BB021AQ4
D06	AA201AY4
D07	AA031BA2
D09	BB261AQ4
D10	AA191BA4
D11	AA141AN4
D12	BB211AG4
D13	AA131AV2

A3	CONNECTOR
B03	BB321AJ6
B04	BB321AJ2
B05	AA261BA4
B06	BB031AC4
B07	AA141BK4
B08	BB281AM4
B09	BB161AV4
B10	BB251AQ1
B11	AA051AS2
B12	BB251AN1
B13	BC321BB1
D02	BB411BC4
D03	BB411BD4
D04	BB201AJ4
D05	AA261BC4
D06	BB251AK1
D07	BB251AC1
D09	AA261AZ4
D10	BC251AA1
D11	BB091BG4
D12	BC251AA3
D13	AA051AV2

A4	CONNECTOR
B03	BB241BA4
B04	BB171AT4
B05	BC251AA2
B06	AA211AU6
B07	AA311AS4
B08	AA191AF4
B09	BB241AP1
B10	BB241BD1
B11	AA231BF4
B12	AA341AD4
B13	AA211AW7
D02	BB011AE2
D03	AA291AW4
D04	AA291AN4
D05	AA071AK6
D06	AA341AF4
D07	AA181AN4
D09	AA231BB2
D10	AA101AZ4
D11	AA131AC2
D12	AA164AF2
D13	BB091AW4

2A5	CONNECTOR
B03	BB231AM4
B04	BB132AV4
B05	BB231BF4

A5	B06	AA271AW4
	B07	CE011BA4
	B08	AA191BB4
	B09	BB251AF1
	B10	AA191AY4
	B11	AA141AH4
	B12	AA081AJ4
	B13	BB231AJ4
	D02	AA191BF4
	D03	AA165AD2
	D04	BB211AF4
	D05	AA163AC2
	D06	AA181BB4
	D07	AA081AE4
	D09	AA191AW4
	D10	AA201AM6
	D11	AA181BF4
	D12	AA141AD4
	D13	BB182AM4

A6	CONNECTOR
B03	BB132AW4
B04	BB131BV2
B05	AA321AM4
B06	AA181BW7
B07	AA181BW4
B08	AA071AY4
B09	AA181BH4
B10	AA071AP4
B11	AA321AL4
B12	BB171BD4
B13	AA191AZ4
D03	AA181BE4
D04	AA321AJ4
D05	BB211AH4
D06	AA181BD4
D07	BB231AB4
D09	AA231AJ7
D10	BB181AB4
D11	AA071AM4
D12	BB191AD4
D13	AA231BH4

A7	CONNECTOR
B03	BB101BC6
B04	BB021BB6
B05	BB141BC4
B06	AA201AN2
B08	AA131AV6
B09	AA272AD4
B10	AA231AP4
B11	BB281AB7
B12	AA211AG6
B13	BB091BK4
D02	AA191AX4
D04	AA201AU2
D05	AA201AX4
D06	AA321AH4
D07	BB081AD4
D09	AA081AN4
D10	BB181BE4
D11	AA291AY4
D12	AA273AD4
D13	AA021AG2

B1	CONNECTOR
B02	AA071AM4
B03	AA363AB4
B04	AA131AD4
B05	AA141AH4
B07	AA311AC4
B08	BB121AJ4
B09	CE011AY6
B10	AA131BG4
B12	CE011BA4
D02	AA201AU2
D04	AA121AZ6
D05	AA051AV2
D06	AA101AY6
D07	AA261BF4
D09	BB271BC4
D11	AA031AQ2

B4	CONNECTOR
B02	AA091AD4
B03	AA101AX6
B04	AA091AF4
B05	AA201AG6
B07	AA164AG2
B08	AA121BJ4
B09	AA164AH2
B10	BB021BG4
B12	AA081BA4
B13	AA071AT4
D02	AA211AN6
D04	AA201AG2
D05	AA181BL7
D06	AA261AN4
D07	AA021AG6
D09	BB261AS4

B4	D10	AA231AX7
	D11	AA081AS4
	D12	AA321AF4
	D13	BB181AX6

B5	CONNECTOR
B02	AA201AU6
B03	AA081AW4
B04	AA311AT4
B05	AA111BH4
B07	AA081BB4
B08	AA162AD2
B09	BB171BE4
B10	BB152AV4
D02	AA211AG2
D04	AA141BF6
D05	AA231AN4
D06	BB081AL4
D09	BB101AH7
D10	BB091AQ4
D11	AA141AP4
D12	AA261AD4
D13	AA121BH4

B6	CONNECTOR
B02	AA261AQ4
B03	BB241BF1
B04	AA261AP4
B05	BB241BH1
B07	AA261AU4
B08	BB241BG1
B10	BB291AT4
B12	BB292AS4
B13	BB291AH4
D02	BC221BB1
D04	AA163AA2
D05	AA331AW4
D07	BB181BA4
D09	BB111AV4
D10	BB301AQ4

C1	CONNECTOR
B02	AA181AN4
B03	AA181AM4
B04	AA191AU4
B05	AA181BB4
B07	AA181BC4
B08	BB061AL2
B09	AA131BC4
B10	AA141BJ4
B12	AA341AA4
D02	AA191AF4
D04	AA191AM4
D07	AA261BG4
D09	BB021AQ4
D10	AA181BV4
D11	AA231BG4

C2	DOUBLE CARD
C3	5804379 4379
AA261	A1 A3 A4 A5 A6 A7 AF AG AH AJ AK AL AM AN AP

C6	DOUBLE CARD
C7	5804495 4495
AA311	A1 A2 A3 A6 A7 A8 AD AE B1 C1

D1	CONNECTOR
B02	AA091AD4
B03	AA081AS4
B04	AA081AN4
B05	AA081AE4
B07	AA081AJ4
B08	BB061AL2
B09	AA131BC4
B10	AA141BJ4
B12	AA341AA4
D02	AA081BA4
D04	AA081AW4
D07	AA261BG4
D09	BB021AQ4
D10	AA181BV4
D11	AA231BG4

D2	DOUBLE CARD
D3	5804370 4370
AA081	01 02 03 04 05 06 07 08 09 10 11 12 13 14 15 16 17 18 19 20 21 22 23 24
AA091	25 26 27 28 29 31 32 33 34 35 36 37

D4	DOUBLE CARD
D5	5804369 4369
AA191	A1 A2 A3 A4 A5 A6 A7 A8 A9 AA AB AC AD AE AF AG AH AJ AL AM AN AP AQ AS AT AU B1

D6	DOUBLE CARD
D7	5801287 1287
AA231	A1 A2 A3 A4 A5 A6 A7 A8 A9 AA AB AC AD AE AF AG AH AJ AK AL AM AN AP AQ AS AT AU AV AW AX

E2	DOUBLE CARD
E3	5801283 1283
AA101	A1 A2 A3 A4 A5 A6 A7 A8 A9 AA AB AC AD AE AF AG AH AJ AK AL AM B1

E4	DOUBLE CARD
E5	5804371 4371
AA201	01 02 03 04 05 06 07 08 09 10 11 12 13 14 15 16 17 18
AA211	19
AA201	20 21 22 23 24 25 26 27 28 29 30 31 32 33 34 35 36

E6	DOUBLE CARD
E7	5804368 4368
AA181	A1 A2 A3 A4 A5 A6 A7 A8 A9 AA AB AC AD AE AF AG AH AJ AL AM AN AP AQ AS AT AU AV AW B1 C1

F1	SINGLE CARD
F2	5803861 3861
AA051	A1 B1

F4	DOUBLE CARD
F5	5804441 4441
AA251	07 08 09 10 11 12 13 14 15 16 17
AA241	19 20 23 24 25 26 27 28 29 30 31 33 34 35

F6	SINGLE CARD
F7	5800789 0789
AA321	B2 B3 B6 B7 C1 E1 F1 F2

G1	SINGLE CARD
G2	5803570 3570
AA051	A1 B1 C1

J1	SINGLE CARD
J2	5803569 3569
AA011	A1 B1 C1 D1

J3	SINGLE CARD
J4	5803565 3565
AA163	A1 A2 A3 A4 A5 A6 A7 A8

J5	SINGLE CARD
J6	5803569 3569
AA011	A1 B1 C1 D1

J7	SINGLE CARD
J8	5803569 3569
AA011	A1 B1 C1 D1

G2	DOUBLE CARD
G3	5807364 7364
AA131	01 02 03 04 05 06 07 08 09 10 11 12 13 14 15 16 17 18 19 20 21 22 23 24 25 26 27 28 29 30 31 32 33 B1

G4	DOUBLE CARD
G5	5804375 4375
AA221	A8 A9 AA AB AC AD AE AF AH B2 C1 C2 C3 C5

G6	SINGLE CARD
AA361	A1
AA362	A1
AA364	A1
AA361	A2
AA362	A2
AA364	A2
AA362	A3 A4 A5 A6 A7 A8 A9 AA AB AC AD AE AF AG AH AJ AK AL
AA361	B1
AA364	B1
AA361	B2
AA364	B2
AA361	B3
AA364	B3

H2	DOUBLE CARD
H3	5804439 4439
AA061	A1 A2 A3 A4 A5 A6 A7 A8 A9 AA AB AC AD AE AF AG AH AJ AK AL
AA071	B1 B2 B3 B4 B5 B6 B7 C1 C2 C3 C4 C5 C6 C7 C8 C9 CA CB CC CD CE CF CG CH CJ

H4	DOUBLE CARD
H5	5807362 7362
AA021	01 02 03 04 05 06 07 08 09 10 11 12 13 14 15 16 17 18 19
AA031	20 21 22 23
AA021	24 25
AA031	26 27 28 29
AA021	30
AA031	31 32 33 34 35 36 37 38 39 40 41 42 B1 B2 B3 B4 B5

H6	DOUBLE CARD
H7	5801279 1279
AA111	A1 A2 A3 A4 A5 A6 A7 A8 A9 AA AB AC AD AE AF AG AH AJ AK AL AM AN AP AQ AS AT AU AV AW AX AY

J1	SINGLE CARD
J2	5803569 3569
AA011	A1 B1 C1 D1

J3	SINGLE CARD
J4	5803565 3565
AA163	A1 A2 A3 A4 A5 A6 A7 A8

J5	SINGLE CARD
J6	5803852 3852
AA165	A1 A2 B1 C1 D1 E1 F1 G1 H1

J7	SINGLE CARD
J8	5803569 3569
AA011	A1 B1 C1 D1

J9	SINGLE CARD
J10	5803569 3569
AA011	A1 B1 C1 D1

J11	SINGLE CARD
J12	5803569 3569
AA011	A1 B1 C1 D1

J13	SINGLE CARD
J14	5803569 3569
AA011	A1 B1 C1 D1

J15	SINGLE CARD
J16	5803569 3569
AA011	A1 B1 C1 D1

J3	E
----	---

J4	DOUBLE CARD
J5	5804378 4378
AA291	A1 A2 B1 G1 L1 M1 N1 P1

J6	DOUBLE CARD
J7	5807365 7365
AA141	A1 A2 A3 A4 A5 A7 A8 AB AC AD AE AH AK AM AN AP AQ AS AT AU AV AW AY AZ

K1	SINGLE CARD
K2	5803567 3567
AA161	A1 A2 A3 A4 A5 A6 A7 A8

K2	SINGLE CARD
K3	5803569 3569
AA011	A1 B1 C1 D1

K3	SINGLE CARD
K4	5803566 3566
AA164	A1 B1 C1 D1 E1 F1 G1 H1

K4	SINGLE CARD
AA331	A1
AA332	A1
AA331	A2 A3 A4 A5 A6 A7 A8 A9 AA AB AC AD B1
AA332	B1
AA331	C1
AA332	C1
AA331	C2
AA332	D1 E1

K
---



N1	D04	AA011AP2
	D05	AA011AS2
	D06	BC161AA4
	D07	BC161AA2
	D09	BC164AA1
	D10	BC164AA4
	D11	BC164AA2
	D12	AA011AF2
	D13	AA011AM2
N2	CONNECTOR	
	B05	AA271BP4
	D02	AA271AQ4
	D04	BC165AA1
	D05	AA011AW2
	D09	BC361AA1
N3	CONNECTOR	
	B02	AA331AW4
	B03	AA341AE4
	B04	AA341AD4
	B05	AA231AV4
	B07	AA341AA4
	B09	BC331AA3
	B12	AA261AX4
	D05	AA341AF4
	D06	AA331AN4
	D10	AA341AC4
	D11	AA341AB4
	D12	AA271AQ4
N4	CONNECTOR	
	B02	AA165AJ4
	B03	CC061CE4
	B04	AA261BA4
	B05	CC061AD6
	B07	AA341AG4
	B08	CC061AJ4
	B09	AA341AC4
	B10	AA341AB4
	B12	CC061BB4
	B13	AA131BG4
	D02	AA341AE4
	D04	AA231BB2
	D05	AA031AV6
	D06	AA261AD4

PLUG LIST				
PART NO	ACC	TYPE	SOCKETS	TOTAL
5800297		0297	L6	01
5800789		0789	F6	01
5801279		1279	H6	01
5801283		1283	E2	01
5801287		1287	D6	01
5803565		3565	J2	01
5803566		3566	K3	01
5803567		3567	K1 L1	02
5803569		3569	J1 J3 K2 L2	04
5803570		3570	G1	01
5803846		3846	L5	01
5803852		3852	L3	01
5803861		3861	F1	01
5804368		4368	E6	01
5804369		4369	D4	01
5804370		4370	D2	01
5804371		4371	E4	01
5804373		4373	F2	01
5804375		4375	G4	01
5804378		4378	J4	01
5804379		4379	C2	01
5804439		4439	H2	01
5804441		4441	F4	01
5804495		4495	C6	01
5807362		7362	H4	01
5807364		7364	G2	01
5807365		7365	J6	01
	CONN	A1 A2 A3 A4		20
		A5 A6 A7 B1		
		B4 B5 B6 C1		
		D1 M1 M2 M4		
		N1 N2 N3 N4		
		G6 K4 K6 L4		04

ONORI

SOCKET LISTING  
 DATE 04-10-68 MACH. 1971  
 LOG 099 BOARD 01A-B1  
 PREV. ENGR. 10-30-67 306846  
 PRES. ENGR. 03-12-68 307158  
 P.N. 1186319  
 IBM CORP. SDD BLK.

L  
R  
0  
2  
0  
0  
000