

MACH LIST FOR-3272 MOD-2 SER-00035356 PLT-06 579 NEW 18APR75

CTRY- CUST-7013901-PENNZO SER BR-204 SYS #- 10256- - JYP-3272

FCT ORDER-571505 SALES MODEL-002 PLT SEQ #-

SHIPPED-16MAY75 SHP SEQ- FCT SEQ-0022 WD- MODE- MACH STA-FACTORY

SEQ # EC # STATUS MASTER COMMENT PICK-UP EC DATE

A0003 000740373 PRES LVL

B0022 FCT 000741298 FACT LVL

R0003 REA 0000663620 INSTALED 000716860
R0004 REA 0000528234 INSTALED 000716860
R0005 REA 0000628235 INSTALED 000716860
R0006 REA 0000663599 INSTALED 000716860
R0007 REA 0000663607 INSTALED 000716860
R0008 REA 0000663605 INSTALED 000716860
R0009 REA 0000663615 INSTALED 000716860
R0010 REA 0000663616 INSTALED 000716860
R0015 REA 0000665260 INSTALED 000716860

FEATURE BM QTY FEATURE NAME MES # K M DEV STAT DATE ACC SHP-LVL-FCT

0002569954 0001 LOGIC GP INT 18APR75 CC11

***** COMMENTS

D0011 000739542 PRES LVL

E0011 FCT 000740399 FACT LVL

R0028 REA 0000681664 INSTALED 000741251

Y0001 OPT 000717959 INSTALED 18APR75
Y0002 OPT 000718943 INSTALED 18APR75
Y0003 OPT 000718548 INSTALED 18APR75
Y0004 OPT 000718547 INSTALED 18APR75
Y0006 OPT 000718976 INSTALED 18APR75
Y0007 OPT 000738642 INSTALED 18APR75
Y0008 OPT 000739279 INSTALED 18APR75
Y0009 OPT 000739548 INSTALED 18APR75
Y0010 OPT 000739275 INSTALED 18APR75
Y0011 OPT 000740038 INQUIRY *installed 3-31-81*
Y0012 OPT 000740395 INQUIRY *installed 3-31-81*

0002569961 0001 DEV ADAP #1 3250 INT 18APR75 0002

***** COMMENTS

D0002 000717950 PRES LVL

E0002 FCT 000717878 FACT LVL

0002569968 0001 SHIP GP 2707 INT 18APR75 0018

***** COMMENTS

D0016 000741298 PRES LVL

E0018 FCT 000740399 FACT LVL

MACH LIST FOR-3272 MOD-2 SER-00035356 PLT-C6 5/9 NEW 18APR75

SEQ # EC # STATUS MASTER COMMENT PICK-UP EC DATE

R0031 REA 0000681664 INSTALED 000741251

Y0001 OPT 000717959 INSTALED 18APR75
Y0002 OPT 000718548 INSTALED 18APR75
Y0003 OPT 000718547 INSTALED 18APR75
Y0005 OPT 000718976 INSTALED 18APR75
Y0006 OPT 000738642 INSTALED 18APR75
Y0007 OPT 000739279 INSTALED 18APR75
Y0008 OPT 000739548 INSTALED 18APR75
Y0009 OPT 000739275 INSTALED 18APR75
Y0010 OPT 000740394 INSTALED 18APR75
Y0011 OPT 000740038 INQUIRY *installed 3-31-82*
Y0012 OPT 000740395 INQUIRY

0002569973 0001 BASIC ASM INT 18APR75 0009

***** COMMENTS

D0002 000738790 PRES LVL

E0009 FCT 000738781 FACT LVL

0002570095 0001 2707 INT 18APR75 0000

***** COMMENTS

D0002 000717489 PRES LVL

Y0001 OPT 000740394 INSTALED 18APR75

0002570163 0001 CORD 208V NON-LK 9885 INT 18APR75 0000

***** COMMENTS

D0001 000717868 PRES LVL

0002570231 0001 3277 LOGIC INT 18APR75 0000

***** COMMENTS

D0004 000740389 PRES LVL

Y0001 OPT 000718989 INSTALED 18APR75

Y0002 OPT 000718970 INSTALED 18APR75

Y0003 OPT 000739066 INSTALED 18APR75

Y0004 OPT 000739072 INSTALED 18APR75

Y0005 OPT 000739065 INSTALED 18APR75

Y0006 OPT 000739071 INSTALED 18APR75

Y0007 OPT 000739268 INSTALED 18APR75

0002570275 0001 USA ENG 2750 INT 18APR75 0000

***** COMMENTS

D0001 000716834A PRES LVL

0002570297 0001 208 VOLT 9902 INT 18APR75 0002

***** COMMENTS

D0001 000738897 PRES LVL

E0002 FCT 000738782 FACT LVL

END

MACH LIST FOR-3272 MOD-2

SER-00035356 PLT-06

579 NEW

18APR75

FEATURE SUMMARY LIST

PAGE 01

FEATURE	BM	SOP	QTY	STAT	FEATURE NAME	MES	DEV	DATE	CCL	RPQ
0002569954			0001	INT	LOGIC GP			18APR75		
0002569961			0001	INT	DEV ADAP #1	3250		18APR75		
0002569968			0001	INT	SHIP GP	2707		18APR75		
0002569973			0001	INT	BASIC ASM			18APR75		
0002570099			0001	INT		2707		18APR75		
0002570163			0001	INT	CORD 208V NON-LK	9885		18APR75		
0002570231			0001	INT	3277 LOGIC			18APR75		
0002570275			0001	INT	USA ENG	2750		18APR75		
0002570297			0001	INT	208 VOLT	9902		18APR75		

TABLE OF CONTENTS

REPORT NUMBER 000000

REPORT DATE 18APR75

VOL BD M/T 32722 SERIAL 00035356

5/9 NEW

LOGIC NUMBER DESCRIPTION
SLT BOARDS

PART NUMBER EC NUMBER FEATURE BM

IAA1 PERSONALITY BOARD

0002625216 000739275 0002569954

PAGE NO. 0001

<u>ECA</u>	<u>BM</u>	<u>EC</u>	<u>Date</u>	<u>INT</u>
036	1656007	741251	3-31-82	BSP
040	1796705	741252		
050	4401465	747570		

TABLE OF CONTENTS

REPORT NUMBER 000000

REPORT DATE 18APR75

VOL 1 M/T 32722 SERIAL 00035356

5/9 NEW

LOGIC NUMBER DESCRIPTION
SYSTEMS DIAGRAMS

PART NUMBER EC NUMBER FEATURE BM

AA001	JUMPER PLUG CHART	0001564043	000717490	0002569968
AA002	WIRING DIAGRAM	0001564044	000740373	0002569968
AA100	INTERCHANGEABLE CARDS	0001832837	000718948	0002569968
A1115	SOCKET LISTING	0001560972	000740399	0002569968

R E A S 0000681664

A1125	SOCKET LISTING	0001560973	0007179550	0002569968
LC001	ANR LOCAL INTF BUS	0001823000	000739548	0002569968
LC005	ANR LOCAL INTF TAGS EXIT ENTER	0001823001	000717955	0002569968
LC101	LOCAL INTF DATA STATUS CTROLS	0001823851	000739548	0002569968
LC102	LOCAL INTF DATA STATUS CTROLS	0001823853	000739548	0002569968
LC104	LOCAL INTF DATA STATUS CTROLS	0001823004	000739548	0002569968
LC201	ANR LOCAL INTF BUS IN STATUS REGS	0001823005	000718964	0002569968
LC204	ANR LOCAL INTF BUS IN STATUS REGS	0001823006	000718964	0002569968
LC206	ANR LOCAL INTERFACE	0001823007	000717471	0002569968
LC301	LOCAL INTF BUS OUT CMD REG TPD	0001823008	000718964	0002569968
LC304	LOCAL INTF BUS OUT CMD REG TPD	0001823009	000718964	0002569968
LC401	ANR LOCAL INTF SELECT SEL OUT RST	0001823854	000718964	0002569968
LC402	ANR LOCAL INTF SELECT SEL CUT RST	0001824171	000739542	0002569968
LC404	ANR LOCAL INTF SELECT SEL OUT RST	0001823013	000739548	0002569968
LC501		0001832937	000718964	0002569968
MN103	KATA COMP AND IND	0001823014	000739275	0002569968
MP001	SERVICE VOLT	0001823015	000717955	0002569968
MP011	SEQ 6	0001823016	000718941	0002569968
MP014	SEQ 6	0001823018	000718941	0002569968
MP021	SEQ 5 + READ LATCHES	0001823020	000739279	0002569968
MP026	SEQ 5 ERASE BUFFER	0001823021	000718547	0002569968
MP031	DECODE ORDERS + ADD STORE REG	0001823022	000717483	0002569968
MP034	BUFFER ADD COUNTER + COMPARE	0001823023	000718547	0002569968
MP036		0001823024	000717490	0002569968

PAGE NO. 0002

TABLE OF CONTENTS

REPORT NUMBER 000000

REPORT DATE 18APR75

VOL 1 M/T 32722 SERIAL 00035356

5/9 NEW

LOGIC SYSTEMS	NUMBER DIAGRAMS	DESCRIPTION	PART NUMBER	EC NUMBER	FEATURE	BM
	MP038	FRT AND FRT VALID LTHS SAVE REG	0001823025	000717490	0002569968	
	MP041	SEQ 8 READ OPER TEST REG	0001823026	000739279	0002569968	
	MP044	SEQ 8 READ OPER	0001823028	000739279	0002569968	
	MP046	SEQ 8 READ OPER	0001823030	000739279	0002569968	
	MP051	SEQ 8 WRITE OPER PRCG ORDER CON	0001823032	000739275	0002569968	
	MP054	SEQ 8 WRITE OPER	0001823033	000739275	0002569968	
	MP057	SEQ WRITE OPER	0001823034	000739275	0002569968	
	MP061	TP CLOCK	0001823035	000717490	0002569968	
	MP062	BYTE -SHORT TIMEOUT COUNTER	0001823036	000717483	0002569968	
	MP063	CLOCK GATING	0001823038	000739542	0002569968	
	MP064	MLPXR RESET CLOCK BAC FET CONT	0001823039	000718964	0002569968	
	MP066	SEQ 8 WRITE OPER 9.5 OSC CONT	0001823041	000739542	0002569968	
	MP071	SEQ 2 3 7 TAG FLUSH	0001823043	000718545	0002569968	
	MP074	+SEQ 7 TAG FLUSH	0001824172	000718948	0002569968	
	MP076	SEQ 2+3 STEP SYSTEM ACT	0001824173	000718964	0002569968	
	MP081	SEQ 4 DEV AVAIL GATE TO SJR	0001823045	000718941	0002569968	
	MP088	SEQ 4 CHK GENT DECCDE NULL	0001823047	000717955	0002569968	
	MP101	SEQ 4	0001823049	000739542	0002569968	
	MP105	SEQ 4 + POLL LATCH	0001823051	000718964	0002569968	
	MP111	PARITY CURSOR CHK CHANGE SEQ LTH	0001823053	000717955	0002569968	
	MP114	SEQ LATCH CHK GEN	0001823054	000718550	0002569968	
	MP116	SEND ZEROS WRT POLL TRIG	0001823055	000717955	0002569968	
	MP117	HALT IO CONTROL COUNT	0001566325	000717950	0002569968	
	MP121	IN OUT REG	0001823057	000717471	0002569968	
	MP123	IN OUT REG BUFF LDD LTH	0001823059	000718941	0002569968	
	MP126	READ DIAG TRACE LATCHES	0001823061	000717490	0002569968	
	MP131	SHIFT REG GATE TO SHIFT REG	0001823064	000718948	0002569968	
	MP133	GATE TO SHIFT REG PARITY GEN	0001823066	000717490	0002569968	
	MP135	DECODE ATTN NULL	0001823067	000718948	0002569968	

TABLE OF CONTENTS

REPORT NUMBER 000000

REPORT DATE 18APR75

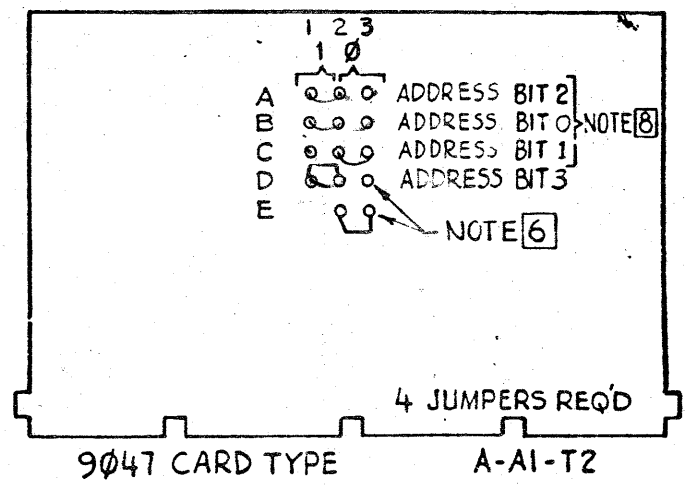
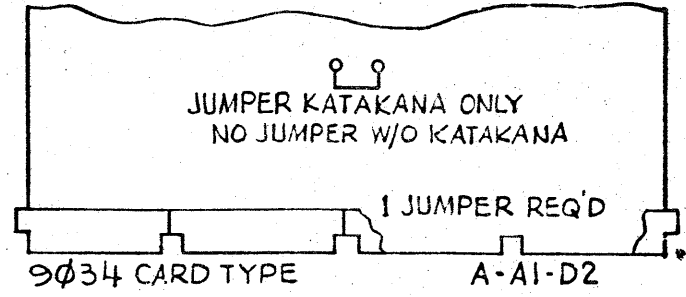
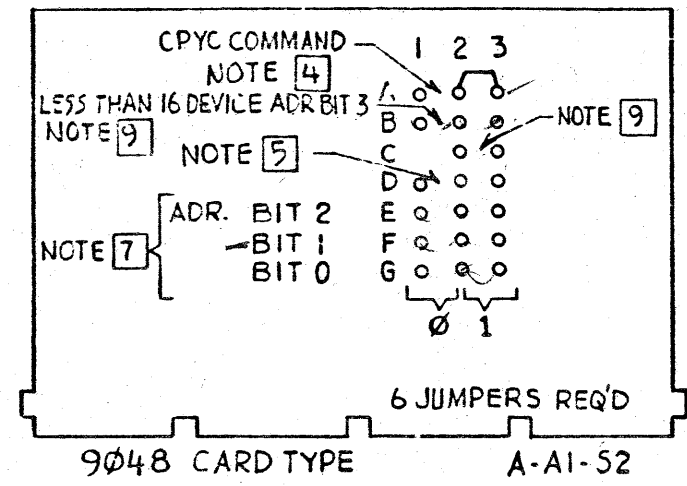
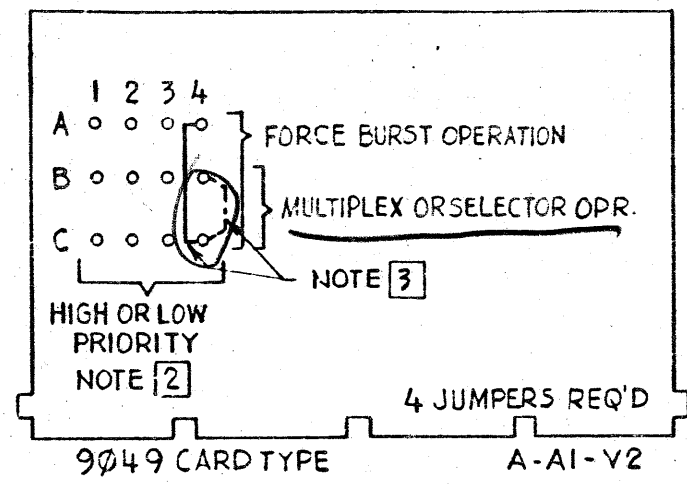
VOL 1 M/T 32722 SERIAL 00035356

5/9 NEW

LOGIC SYSTEMS	NUMBER DIAGRAMS	DESCRIPTION	PART NUMBER	EC NUMBER	FEATURE	BM
	MP141	PRIORITY COUNT GATE TO DEV AVAIL	0001823069	000739542	0002569968	
	MP144	GATE TO SJR WORD 1-2 GEN	0001823070	000717490	0002569968	
	MP151	MESSAGE BUFFER	0001823072	000717471	0002569968	
	MP161	MESSAGE BUFFER	0001823073	000717471	0002569968	
	MP171	MESSAGE BUFFER	0001823074	000717471	0002569968	
	MP181	MESSAGE BUFFER	0001823075	000717471	0002569968	
	MP191	HALT IO COUNT TEST	0001832838	000739542	0002569968	
	MP192		0001841523	000739542	0002569968	
	MP193	TEST IO CONTROL METER IN	0001832840	000739542	0002569968	
	MP271	DEV AVAIL BUSY LATCH REC DRIVERS	0001823076	000717955	0002569968	
	MP281	DEV AVAIL BUSY LATCH REC DRIVERS	0001823078	000717955	0002569968	
	MP290	ENTRY EXIT	0001823080	000717471	0002569968	
	MP291	ENTRY EXIT	0001823081	000717955	0002569968	
	MP299	ENTRY EXIT	0001564042	000717955	0002569968	
	MP300	ENTRY EXIT	0001823082	000717483	0002569968	
	MP301	DEV AVAIL BUSY LATCH REC DRIVERS	0001823083	000717950	0002569968	
	MP311	DEV AVAIL BUSY LATCH REC DRIVERS	0001823084	000717950	0002569968	
	MP321	DEV AVAIL BUSY LATCH REC DRIVERS	0001823085	000717950	0002569968	
	MP331	DEV AVAIL BUSY LATCH REC DRIVERS	0001823086	000717950	0002569968	
	MP341	DEV AVAIL BUSY LATCH REC DRIVERS	0001823087	000717950	0002569968	
	MP351	DEV AVAIL BUSY LATCH REC DRIVERS	0001823088	000717950	0002569968	
	YF730	WIRING DIAG MPX LOCAL 60 HZ	0002481161	000741298	0002569968	
	YF731	WIRING DIAG MPX LOCAL 60 HZ	0002481162	000741298	0002569968	
	YF732	WIRING DIAG MPX LOCAL 50 HZ	0002481168	000741298	0002569968	
	YF733	WIRING DIAG MPX LOCAL 50 HZ	0002481169	000741298	0002569968	
	YF734	WIRING DIAG MPX LOCAL 60 HZ JAPAN	0002481178	000741298	0002569968	
	YF735	WIRING DIAG MPX LOCAL 60 HZ JAPAN	0002481179	000741298	0002569968	

PAGE NO. 0004

0 1 2 3 4 5 6 7 P
1

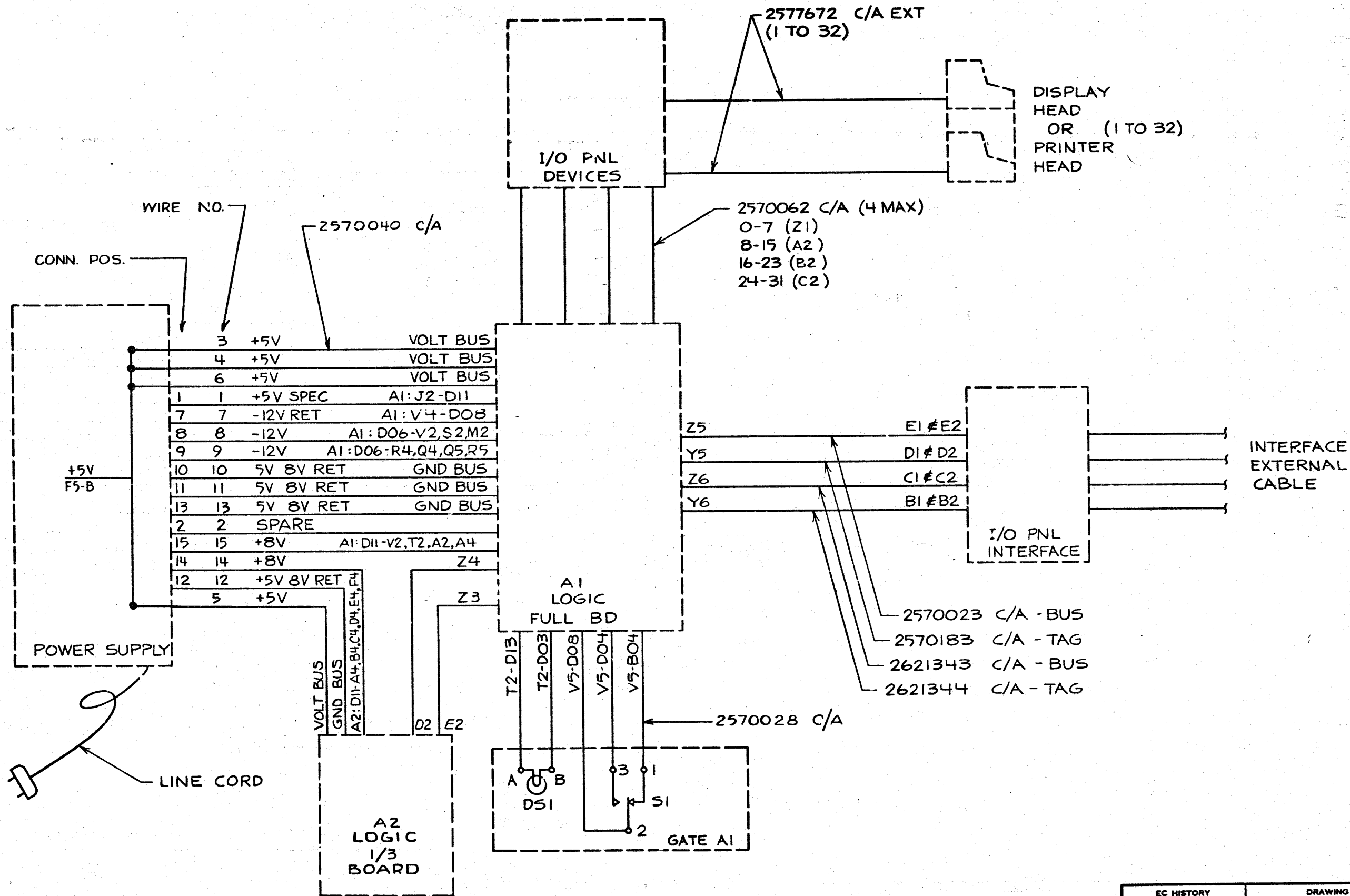


NOTES:

1. USE JUMPER P/N 814342 AND PLASTIC HOUSING P/N 815923 AS INDICATED BY FOLLOWING NOTES. CHARACTERS SHOWN FOR REF. PURPOSES ONLY.
2. PLUG JUMPERS (3) BETWEEN A1 & A2, B1 & B2, C1 & C2, FOR HIGH PRIORITY, OR PLUG JUMPERS (3), BETWEEN A2 & A3, B2 & B3, C2 & C3, FOR LOW PRIORITY.
3. PLUG JUMPER (1) BETWEEN B4 & C4 FOR MULTIPLEXOR SELECTOR OPERATION OR PLUG JUMPER BETWEEN A4 & C4 FOR FORCE BURST OPERATION.
4. PLUG JUMPER (1) BETWEEN A2 & A3 FOR UNITS WITHOUT CPYC COMMAND; FOR CPYC COMMAND REMOVE JUMPER FROM A2 & A3 AND PLUG BETWEEN A1 & A2.
5. PLUG JUMPER (1) BETWEEN D1 & D2 FOR UNITS WITH 16 OR LESS DEVICES; OR FOR UNITS WITH 17 OR MORE DEVICES REMOVE JUMPER FROM D1 & D2 AND INSTALL BETWEEN D2 & D3.
6. FOR 16 OR LESS DEVICES ATTACH JUMPER BETWEEN D1 & D2 FOR A '1' OR BETWEEN D2 & D3 FOR A '0'; FOR 17 OR MORE DEVICES REMOVE JUMPER FOR ROW D & INSTALL BETWEEN E2 & E3.
7. PLUG JUMPERS (3) AS REQ'D FOR PROPER ADDRESS DECODING.
8. PLUG JUMPERS (3) AS REQ'D FOR PROPER ADDRESS GENERATION.

9. FOR 16 OR LESS ATTACHED DEVICES ATTACH JUMPER BETWEEN B1 & B2 FOR A '0' OR BETWEEN B2 & B3 FOR A '1'; FOR 17 OR MORE DEVICES REMOVE JUMPER FOR ROW B AND INSTALL BETWEEN C2 & C3.

EC HISTORY		DRAWING TITLE	
08 MAR 72	716956	JUMPER PLUG CHART 3272	
14 JUN 72	717490	MACH	
		PART NO 1564043	
C	CLASSIFICATION		IBM CORP



EC HISTORY		DRAWING TITLE	
08 MAR 72	716956	WIRING DIAGRAM	
14 JUN 72	717490	MACH LOCAL CONTROL UNIT	
3 FEB 75	740373	PART NO 1564044	
D		CLASSIFICATION	IBM CORP

A A 0 0 2

CHART A

TYPE NO.	LATEST P/N	EQUIVALENT P/N
9034	*8521716	8521482
2220	8522839	8522834
2216	8522840	8522176
9039	8521523	8521990
9048	8522843	8522857
9046	8523251	8522870

* KATAKANA MUST USE 8521716
REFER TO PAGE AA001 FOR
JUMPER CONFIGURATION

NOTES:

- THE FOLLOWING CARDS, SEE CHART 'A' CAN BE USED INTERCHANGEABLY. ONLY THE LATEST P/N IS SHOWN IN THE LOGIC. THESE CARDS ARE IDENTICAL IN LOGIC

A
A
1
0
0

SEE EC HISTORY		DRAWING TITLE
9 OCT 72	718547	INTERCHANGEABLE CARDS
1 NOV 72	718548	MACH 3272
28 NOV 72	718948	PART NO 1832837
C		CLASSIFICATION
		IBM CORP

A
A
1
0
0

<p>A1 CONNECTOR DII MPI48A2 DI3 MPII3AY2 EII MNIOAC4 E13 MPII3CK4</p>	<p>DI CONNECTOR EII LC402AR4 E13 LC40IBZ4</p>	<p>F6 CONNECTOR A04 MPI3IAJ2 B02 MPI22BH4 B04 MPI22AS4 C02 MPI2IBN4 C04 MPO65BG4 D02 MPI22BE4 E02 MPII6AL6 E04 MPO67AV4</p>	<p>KI CONNECTOR AII LC203AL4 AI3 LC203AF4 BII LC203BA4 BI3 LC204AL4</p>	<p>P2 QUAD CARD P3 8522124 2222 P4 P5 MPI41 MPI45 MPI42 MPI46 MPI43 MPI47 MPI44</p>	<p>R5 SINGLE CARD 8521985 9035 MPI81 MPI82</p>	<p>UI CONNECTOR AII LCO05AA3 BI3 LCO05AC6 CI1 LCO05AA4 CI3 LCO05AA8 DII LCO05AA5 DI3 LCO05AA9 EII LC405AG4 E13 LC404AT3</p>	<p>V6 CONNECTOR A02 LC206BN4 A04 LC207BR4 B02 LCO0IAC3 B04 LC207BQ4</p>
<p>A2 DOUBLE CARD A3 8522147 L510 OR 8527294 B910 IF EC 741256 MP271 MP272</p>	<p>D2 QUAD CARD D3 8521716 9034 D4 D5 MPO31 MPO36 MPO32 MPO37 MPO33 MPO38 MPO34 MPO39 MPO35</p>	<p>GI CONNECTOR AII LC202AM4 AI3 LC402AT4</p>	<p>K2 QUAD CARD K3 8522139 2221 K4 K5 MPIO1 MPIO5 MPIO2 MPIO6 MPIO3 MPIO7 MPIO4</p>	<p>P6 CONNECTOR E02 LCO0IAC4 E04 LCO0IAA9</p>	<p>R6 CONNECTOR B02 LC206BR4 B04 LCO0IAC1 C02 LC206BM4 C04 LC206BP4 D02 LC207BS4 D04 LC206BQ4 E02 LC206BN4 E04 LC207BR4</p>	<p>U2 QUAD CARD U3*8523626 9046 U4 OR IF E/C 718964 U5*8523627 *8524323 IF EC 739548 *8526970 IF EC 741251 LC101 LC104 LC102 LC105 LC103</p>	<p>Z3 CABL 5802827 ZAI11 AC GOES TO OIA-A2E2 H6 B02 MP29IAF6 H6 C02 MPO8IAB2 H6 D02 MP29IAF4 H6 E02 MP29IAF2 H6 E04 MPI43BX4 J6 A04 MPI43BX4 J6 B04 LC302AY4 J6 C04 LC30IBL4 J6 D02 MPI43BY4 J6 D04 LC30IBK4 J6 E04 MPI43BZ4</p>
<p>A4 DOUBLE CARD A5 8522147 L510 OR 8527294 BB10 IF EC 741256 MP281 MP282</p>	<p>D6 CONNECTOR E02 MPI3IAK2 E04 MPI3IAY2</p>	<p>G2 QUAD CARD G3 8521969 9036 OR G4 8523635 IF E/C 738642 G5 MPO61 MPO65 MPO62 MPO66 MPO63 MPO67 MPO64 MPO68</p>	<p>LI CONNECTOR DI3 LCO03AE9 EII LCO03AG4 E13 LCO03AF6</p>	<p>Q1 CONNECTOR AII LCO05AC1 AI3 LCO05AC4 BII LCO05AC2 BI3 LCO05AC5 CII MPI94AP4 CI3 LC405AJ4 DII LCO05AA2 DI3 LCO05AA7 EII LCO05AA3</p>	<p>S1 CONNECTOR AII LCO05AC3 AI3 LC402BD4</p>	<p>U6 CONNECTOR A02 LC207BT4 A04 LCO0IAC2 C02 LC206BR4 C04 LCO0IAC1 D02 LC206BM4 D04 LC206BP4 E02 LC207BS4 E04 LC206BQ4</p>	<p>Z4 CABL 5802827 ZAI11 AA GOES TO OIA-A2D2 L6 D02 MP29IAA3 L6 D04 MP29IAA4 L6 E02 MPI03AY4 L6 E04 MP29IAA1 M6 A02 MP29IAA2 M6 A04 MPI03BK4 M6 B02 MPI03AC4 M6 B04 MPI34CK4 M6 C02 MPI03AB4 M6 C04 MPI03AZ4 M6 D04 MPI35AN4 M6 E04 MPO8IAV4 N6 A02 MPI42BB4 N6 A04 MPI42BC4 N6 B02 MPI42AW4 N6 B04 MPI42BA4 N6 C02 MPI42AU4 N6 C04 MPI42AV4 N6 D04 MPI42AT4 N6 E02 MPI42AS4</p>
<p>A6 CONNECTOR E02 MP272AN4</p>	<p>E1 CONNECTOR AII LCO03AG4 AI3 LC402AL4 BII MPI92AF4 BI3 LC10IBA4 CII LC102AQ4 CI3 LC102BP4 DII LC104AX4 EII LC10IBC4 E13 LC203AW4</p>	<p>G6 CONNECTOR A02 MPI2IBL4 A04 MPI3IBE2</p>	<p>L2 QUAD CARD L3*8521414 9085 L4*8523655 IF E/C 739554 L5*8526057 IF E/C 740399 MPIII MPII4 MPII2 MPII5 MPII3 MPII6</p>	<p>Q2 DOUBLE CARD Q3 8524320 X459 IF EC 739542 & NOT EC 741252 8526971 IF EC 741252 OR EC 739542 MPI91 MPI93 MPI92 MPI94</p>	<p>S2 QUAD CARD S3*8523622 9048 S4*8522857 IF EC 718964 & NOT EC 741779 S5 8527906 IF EC 741779 OR EC 718964 LC 301 LC 304 LC 302 LC 305 LC 303</p>	<p>S6 CONNECTOR A02 LCO0IAC3 A04 LC207BQ4</p>	<p>VI CONNECTOR AII LC405AH4 AI3 LC402BF4 BII LCO05AC3 BI3 LC402BD4</p>
<p>BI CONNECTOR AII MPII3CN4 AI3 MPII4BC2 BII MPII3AS4 BI3 MPII4BJ4 CII MPOI2AW4 DII MPO42AZ2 DI3 MPO53AA4 E13 MPO35BS4</p>	<p>E2 QUAD CARD E3 8521725 2218 OR E4 8522830 IF E/C 717959 OR E5 8524319 IF E/C 739279 8563022 IF E/C 745479 MPO41 MPO45 MPO42 MPO46 MPO43 MPO47 MPO44 MPO48</p>	<p>HI CONNECTOR AII LC204RW4 AI3 LC204AN4 BII LCO03AG4 BI3 LC204AS4 CII LC204AJ4 CI3 LC204AQ4 DII LC204AY4 DI3 LC204AU4 EII LC102AJ4</p>	<p>M1 CONNECTOR AII LCO03AE0 AI3 LCO03AF5 BII LCO03AE8 BI3 LCO03AF4 CII LCO03AE7 DII LCO03AE6 DI3 LCO03AF3 E13 LCO03AF2</p>	<p>Q4 SINGLE CARD 8521985 9035 MPI51 MPI52</p>	<p>T1 CONNECTOR AII LCO05AA1 AI3 LCO05AA6 BII LCO05AC1 BI3 LCO05AC4 CII LCO05AC2 CI3 LCO05AC5 DII MPI94AP4 DI3 LC405AJ4 EII LCO05AA2 E13 LCO05AA7</p>	<p>V2 QUAD CARD V3*8523263 V4*8527297 IF EC 740867 V5 LC401 LC404 LC402 LC405 LC403</p>	<p>V6 CONNECTOR AII LC405AH4 AI3 LC402BF4 BII LCO05AC3 BI3 LC402BD4</p>
<p>B2 QUAD CARD B3*8522126 2216 B4*8522840 IF E/C 718542 B5*8523624 IF E/C 718976 *8523659 IF E/C 740020 MPO11 MPO14 MPO12 MPO15 MPO13 MPO16</p>	<p>E6 CONNECTOR A02 MNIOAG4 A04 MPI3IBG4 B02 MPI3IBD2 B04 MPI3IBC2 C02 MPI3IAQ2 C04 MPI3IAZ2 D02 MPI3IAC2 E02 MPI23AU4 E04 MPI23AS4</p>	<p>H2 QUAD CARD H3 8522129 2220 H4*8522839 IF E/C 718545 H5*OR 8522834 OR 8523634 IF EC 738642 MPO71 MPO75 MPO72 MPO76 MPO73 MPO77 MPO74</p>	<p>M2 QUAD CARD M3*8521852 9033 OR M4*8526062 IF EC 740394 M5 MPI21 MPI25 MPI22 MPI26 MPI23 MPI27 MPI24</p>	<p>Q5 SINGLE CARD 8521985 9035 MPI61 MPI62</p>	<p>T2 QUAD CARD T3 8522149 9047 T4 T5 LC201 LC205 LC202 LC206 LC203 LC207 LC204</p>	<p>T6 CONNECTOR A02 LCO0IAC4 A04 LCO0IAA9 B02 LCO0IAA1 B04 LCO0IAA2 C02 LCO0IAA4 C04 LCO0IAA3 D02 LCO0IAA6 D04 LCO0IAA5 E02 LCO0IAA8 E04 LCO0IAA7</p>	<p>THE FOLLOWING CARDS CAN BE USED INTERCHANGEABLY. ONLY THE LATEST P/N IS SHOWN IN THE LOGIC. THESE CARDS ARE IDENTICAL IN LOGIC.</p>
<p>B6 CONNECTOR A04 MP272AP4 B02 MP272AQ4 C04 MP272AR4</p>	<p>FI CONNECTOR AI3 LC102AN4 BII LC202AR4 BI3 LC202AP4 CII LC202AN4 CI3 LC202AK4 DII LC202AQ4 EII LC202AL4 E13 LC202AJ4</p>	<p>J1 CONNECTOR AII LC104BD4 AI3 LC104AJ4 BI3 LC304AL4 CII LC203AT4 CI3 LC104BF4 DII LC104AR4 DI3 LC103AJ4 EII LC203AQ4</p>	<p>NI CONNECTOR AII LCO03AE5 AI3 LCO03AF1 BII LCO03AE4 BI3 LCO03AF7 CII LCO03AE3 DII LCO03AE2 EII LCO03AE1</p>	<p>Q6 CONNECTOR A02 LCO0IAA1 A04 LCO0IAA2 B02 LCO0IAA4 B04 LCO0IAA3 C02 LCO0IAA6 C04 LCO0IAA5 D02 LCO0IAA8 D04 LCO0IAA7 E02 LC207BT4 E04 LCO0IAC2</p>	<p>R2 DOUBLE CARD R3 8523261 Y931 IF EC 718964 & NOT EC 740038 8526064 IF EC 740038 LC501 OR EC 718964</p>	<p>R4 SINGLE CARD 8521985 9035 MPI71 MPI72</p>	<p>C1 CONNECTOR AII MPO56AL2 AI3 MPIOICC4 BII MPI25AF4 BI3 MPO62AL2 CII MPIIIAM4 DII MPO62AR2 DI3 MPO62AF2 EII MPO62AU2 E13 MPII4BB2</p>
<p>C2 QUAD CARD C3 8521829 9128 C4*8522861 IF E/C 718943 C5*8524587 IF E/C 740023 MPO21 MPO26 MPO24 MPO27 MPO25 MPO29</p>	<p>F2 QUAD CARD F3*8521990 9039 F4*8521523 IF E/C 718542 F5 8527304 IF E/C 741774 MPO51 MPO56 MPO52 MPO57 MPO53 MPO58 MPO54 MPO59 MPO55</p>	<p>J2 QUAD CARD J3 8522152 9129 J4 8522858 IF E/C 718941 J5 MPO81 MPO88 MPO85 MPO89 MPO86 MPO90 MPO87 MPO91</p>	<p>PI CONNECTOR EII LCO05AA1 E13 LCO05AA6</p>	<p>R6 SINGLE CARD 8521985 9035 MPI71 MPI72</p>	<p>C6 CONNECTOR A04 MP282AN4 B02 MP282AP4 C04 MP282AQ4 D02 MP282AR4</p>		

EC HISTORY		DRAWING TITLE	
SEE E/C HISTORY		SOCKET LIST BOARD OIA-A1	
JUN 75	741256	MACH	3272
JUN 75	741774	PART NO. 1560972	
JUL 75	741252	CLASSIFICATION	
JUN 77	745479		IBM CORP.

A
1
1
1
5
000

PLUG LIST

PART NO.	E/C ACC	TYPE	SOCKETS				TOTAL
5802827		CABL	Z3	Z4			02
8526057		9085	L2				01
8521716		9034	D2				01
8526062		9033	M2				01
8523635		9036	G2				01
8521985		9035	Q4	Q5	R4	R5	04
8527304		9039	F2				01
8522124		2222	P2				01
8523659		2216	B2				01
8527906		9048	S2				01
8526971		X459	Q2				01
8522139		2221	K2				01
8522147		L510	A2	A4			02
8522149		9047	T2				01
8527297		9049	V2				01
8522858		9129	J2				01
8563022		2218	E2				01
8522831		2219	N2				01
8526970		9046	U2				01
8523634		2220	H2				01
8524587		9128	C2				01
		CONN	A1	A6	B1	B6	34
			C1	C6	D1	D6	
			E1	E6	F1	F6	
			G1	G6	H1	J1	
			K1	L1	M1	N1	
			P1	P6	Q1	Q6	
			R1	R6	S1	S6	
			T1	T6	U1	U6	
			V1	V6			
8526064	Y931	R2					01

SEE NOTE 1

NOTE: NEW CARD ADDED ON EC 718964

NOTE 1 8527294 BB10 IF EC 741256

E/C	DATE	SEQUENCE CARD TYPE	SOCKET	OPTIONAL OR MANDATORY
717959	1 SEP 72	2218	E2	0
		2219	N2	
718545	15 SEP 72	2220	H2	M
718547	29 SEP 72	9128	C2	0
718943		9128	C2	0
718548	5 OCT 72	9046	U2	0
718542	15 NOV 72	2216	B2	
		9039	F2	FACTORY ONLY
		9049	V2	
718550	15 NOV 72	9048	S2	M
		9049	V2	
718941		9129	J2	M
718948	15 JAN 72	9046	U2	M
718964	16 FEB 73	9046	U2	M
718964	16 FEB 73	Y931	R2	M
718964	16 FEB 73	9049	V2	M
718974	27 APR 73	9048	S2	FACTORY ONLY
718976	31 MAY 73	2216	B2	0
738642	20 JUN 73	2220	H2	0
738642	20 JUN 73	9036	G2	0
739542	4 OCT 73	X459	Q2	M
739279	19 DEC 73	2218	E2	0
739554	12 MAR 74	9085	L2	FACTORY ONLY
739275	4 FEB 74	9039	F2	0
739548	JUN 74	9046	U2	0
740020	JUN 74	2216	B2	FACTORY ONLY
740023	JUL 74	9128	C2	FACTORY ONLY
740394	SEP 74	9033	M2	0
740038	NOV 74	Y931	R2	0
740399	NOV 74	9085	L2	FACTORY ONLY
740395	MAR 75	9046	U2	0
741251	APR 75	9046	V2	0
740867	MAY 75	9049	V2	0
741256	JUN 75	BB10	A2, A4	FIELD ONLY
741774	JUN 75	9039	F2	0
741252	APR 75	X459	Q2	0
741779	JAN 76	9048	S2	0
745479	JUN 77	2218	E2	0

EC HISTORY		DRAWING TITLE	
SEE E/C HISTORY		SOCKET LIST BOARD OIA-A1	
JUN 75	741256	WACH 3272	
JUN 75	741774	PART NO 1560972	
JUL 75	741252	CLASSIFICATION	
JUN 77	745479		



A 1115 000

SOLID LOGIC DESIGN AUTOMATION - SOCKET LISTING

A2 CONNECTOR B03 MP302AN4 B05 MP302AQ4 B10 MP312AP4 B12 MP312AR4 D04 MP302AP4 D06 MP302AR4 D09 MP312AN4 D11 MP312AQ4	D2 CABL 5802827 ZAI11 AB GOES TO OIA-A1Z4 D2 B03 MP300AE6 D2 B04 MP300AF1 D2 B05 MP300AF3 D2 B06 MP300AF5 D2 B07 MP300AE2 D2 B08 MP300AF6 D2 B09 MP300AE1 D2 B10 MP300AK4 D2 B11 MP300AE9 D2 B12 MP300AA4 D2 B13 MP301AE4 D2 D02 MP300AE5 D2 D04 MP300AE7 D2 D05 MP300AF2 D2 D06 MP300AF4 D2 D09 MP300AE3 D2 D10 MP300AE4 D2 D11 MP300AB4 D2 D12 MP300AE8 D2 D13 MP300AC4	H2 H3 H4 H5 J2 J3 J4 J5 K2 K3 K4 K5 L2 L3 L4 L5 M2 M3 M4 M5 N2 N3 N4 N5 P2 P3 P4 P5 Q2 Q3	Q4 Q5 R2 R3 R4 R5 S2 S3 S4 S5 T2 T3 T4 T5 U2 U3 U4 U5 V2 V3 V4 V5 Y1 Y2 Y3 Y4 Y5 Y6 Z1 Z2	Z3 Z4 Z5 Z6
A3				
A4 DOUBLE CARD A5 8522147 L510 MP302 MP301				
B2 CONNECTOR B03 MP322AN4 B05 MP322AQ4 B10 MP332AP4 B12 MP332AR4 D04 MP322AP4 D06 MP322AR4 D09 MP332AN4 D11 MP332AQ4	D3 D4 DOUBLE CARD D5 8522147 L510 MP332 MP331			
B3				
B4 DOUBLE CARD B5 8522147 L510 MP311 MP312				
C2 CONNECTOR B03 MP342AN4 B05 MP342AQ4 B10 MP352AP4 B12 MP352AR4 D04 MP342AP4 D06 MP342AR4 D09 MP352AN4 D11 MP352AQ4	E2 CABL 5802827 ZAI11 AD GOES TO OIA-A1Z3 E2 B04 MP300AL4 E2 B05 MP299AA2 E2 B06 MP299AA3 E2 B07 MP299AA4 E2 B08 MP299AA5 E2 B09 MP299AA6 E2 D05 MP299AA7 E2 D09 MP299AC4 E2 D10 MP299AB4 E2 D11 MP299AA1 E2 D12 MP299AD4			
C3				
C4 DOUBLE CARD C5 8522147 L510 MP321 MP322	E3 E4 DOUBLE CARD E5 8522147 L510 MP341 MP342			
	F2			
	F3			
	F4 DOUBLE CARD F5 8522147 L510 MP351 MP352			
	G2			
	G3			
	G4			
	G5			

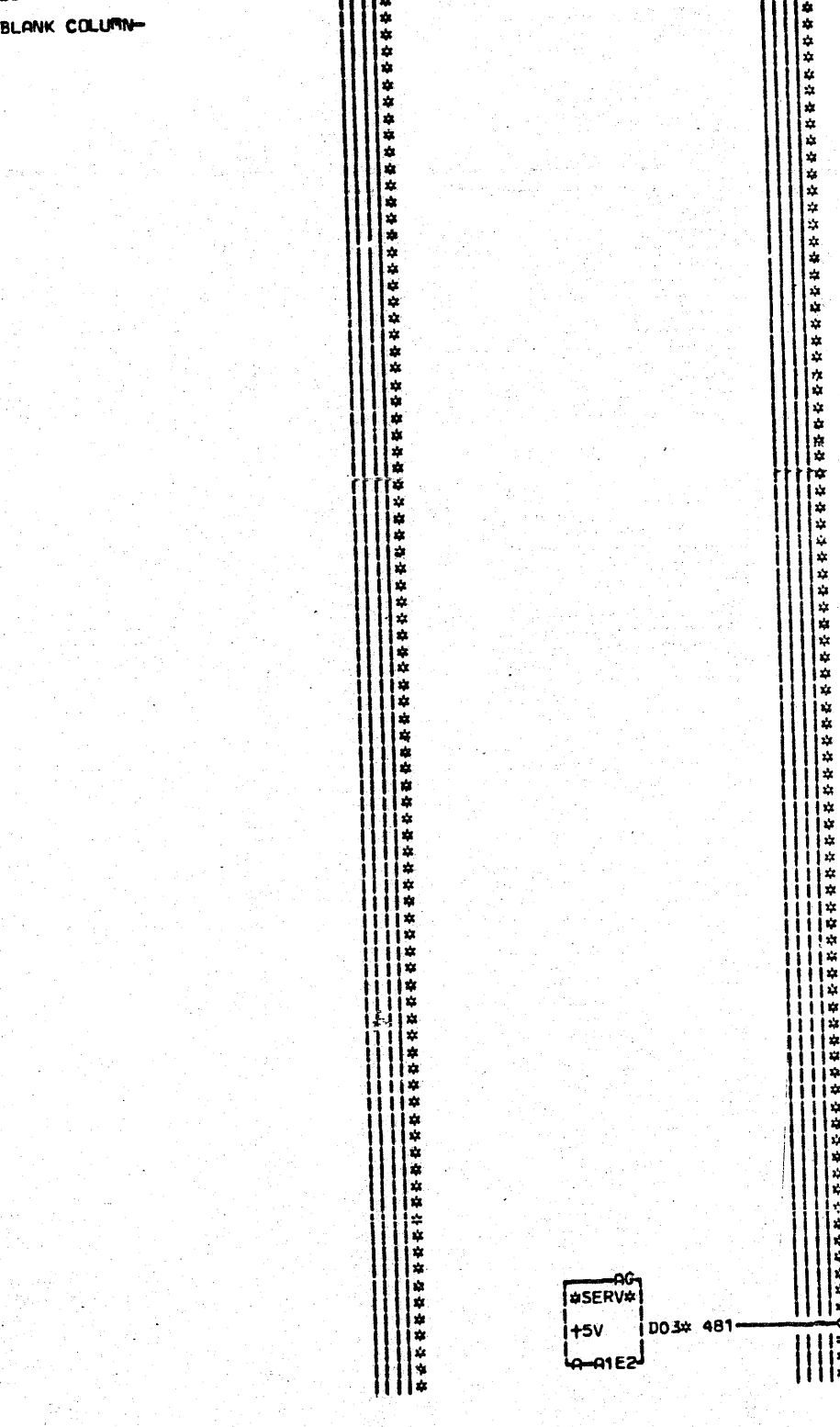
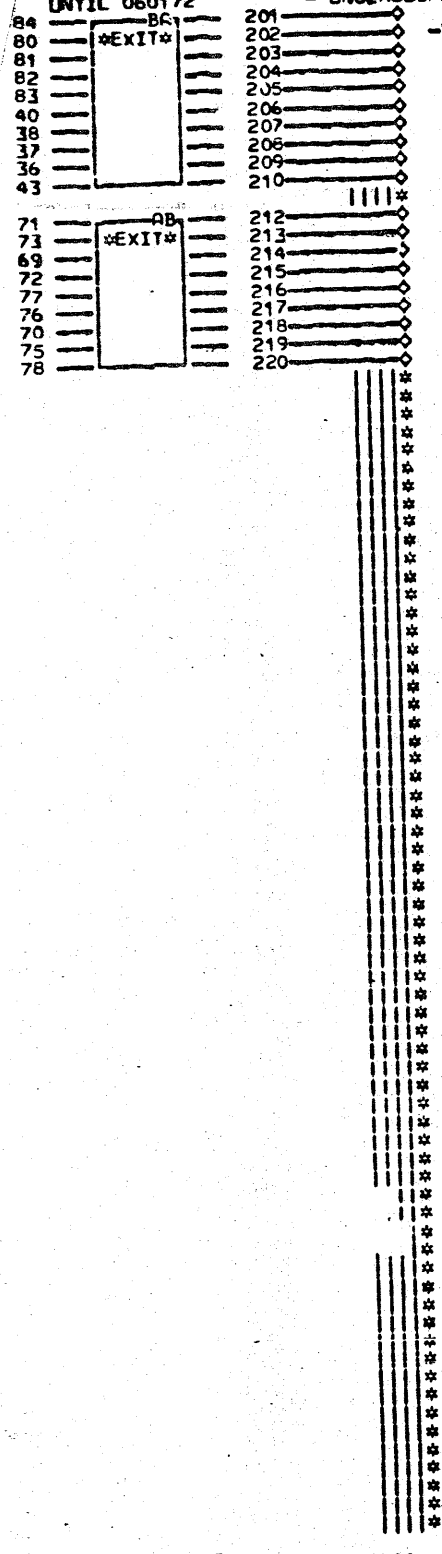
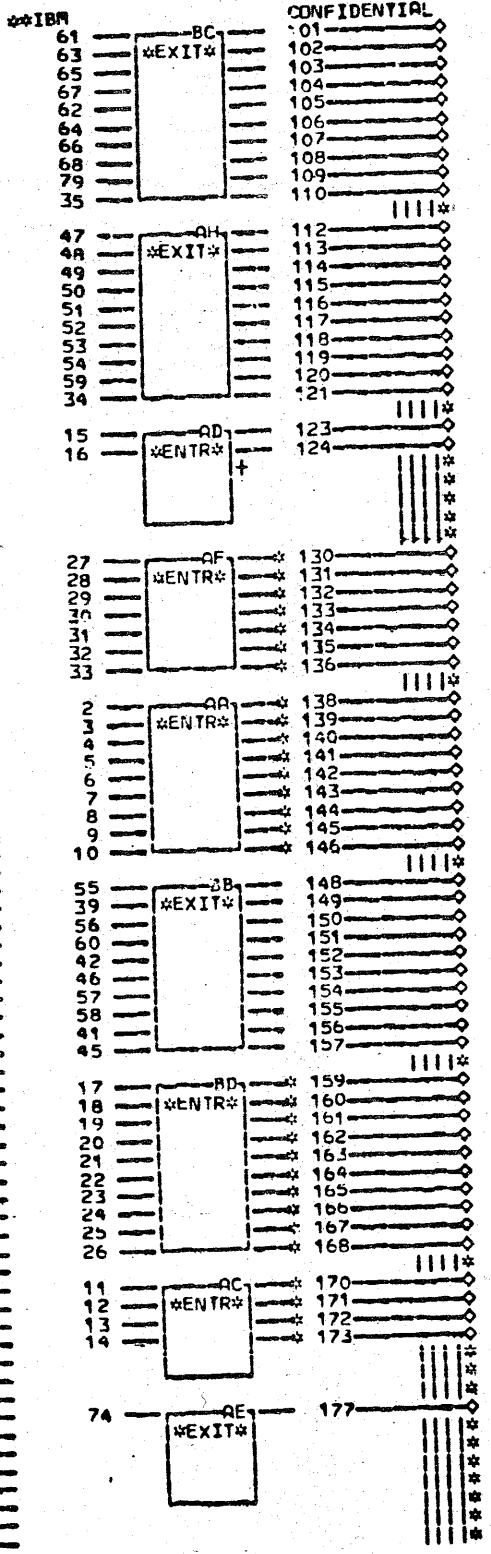
PART NO.	PLUG LIST				TOTAL
	ACC	E/C	TYPE	BASE	
5802827			CABL	D2 E2	02
8522147			L510	A4 B4 C4 D4	06
			CONN	A2 B2 C2	03
				A3 B3 C3 D3	75
				E3 F2 F3 G2	
				G3 G4 G5 H2	
				H3 H4 H5 J2	
				J3 J4 J5 K2	
				K3 K4 K5 L2	
				L3 L4 L5 M2	
				M3 M4 M5 N2	
				N3 N4 N5 P2	
				P3 P4 P5 Q2	
				Q3 Q4 Q5 R2	
				R3 R4 R5 S2	
				S3 S4 S5 T2	
				T3 T4 T5 U2	
				U3 U4 U5 V2	
				V3 V4 V5 Y1	
				Y2 Y3 Y4 Y5	
				Y6 Z1 Z2 Z3	
				Z4 Z5 Z6	

UNUSED

EC HISTORY		DRAWING TITLE	
01NOV72	717955	SOCKET LISTING BOARD OIA-A2	
08NOV72	717955-C	MACH 3272	
		PART NO 1560973	
		CLASSIFICATION	
D		IBM CORP	

A 1125

01	S-B1C2D04	01S-B1E2D04	LC001001	2-1
01	S-B1C2B05	01S-B1E2B05	LC001002	2-1
01	S-B1C2D06	01S-B1E2D06	LC001003	4-1
01	S-B1C2B08	01S-B1E2B08	LC001004	5-1
01	S-B1C2D09	01S-B1E2D09	LC001005	6-1
01	S-B1C2B10	01S-B1E2B10	LC001006	7-1
01	S-B1C2D11	01S-B1E2D11	LC001007	8-1
01	S-B1C2B12	01S-B1E2B12	LC001008	9-1
01	S-B1C2B03	01S-B1E2B03	LC001009	10-1
01	S-B1C1J02	01S-B1E1J02	LC001010	11-1
01	S-B1C2D13	01S-B1E2D13	LC001011	12-1
01	S-B1C1J13	01S-B1E1J13	LC001012	13-1
01	S-B1C2D02	01S-B1E2D02	LC001013	14-1
01	S-B1C2D02	01S-B1E2D02	LC001014	15-1
+	LN LINE SW ON		LC001015	16-1
+	LN LINE SW OFF		LC003001	17-1
+	CE BO PARITY SW		LC003002	18-1
+	CE BO 0 SW		LC003003	19-1
+	CE BO 1 SW		LC003004	20-1
+	CE BO 2 SW		LC003005	21-1
+	CE BO 3 SW		LC003006	22-1
+	CE BO 4 SW		LC003007	23-1
+	CE BO 5 SW		LC003008	24-1
+	CE BO 6 SW		LC003009	25-1
+	CE BO 7 SW		LC003010	26-1
+	CE RESET SW		LC003011	27-1
+	CE SUP OUT SW		LC003012	28-1
+	CE SEL OUT SW ON		LC003013	29-1
+	CE ADR OUT SW ON		LC003014	30-1
+	CE CMD OUT SW ON		LC003015	31-1
+	CE SRV OUT SW ON		LC003016	32-1
+	CE OP OUT SW ON		LC003017	33-1
+	CE INH BO CHK SW ON		LC101BC4	34-1
+	SERV SEQ		LC102AJ4	35-1
+	STACK SET		LC102AJ4	36-1
+	STATUS REQ		LC102AQ4	37-1
+	GT STAT TO BUS IN		LC102BP4	38-1
+	NORM OR SHORT STAT IN		LC103AJ4	39-1
+	STATUS MOD		LC103CI4	40-1
+	SERVICE IN DLY		LC104AJ4	41-1
+	END		LC104AR4	42-1
+	CHAN END SET		LC104AX4	43-1
+	CE REM SET		LC104AX4	43-1
+	STOP		LC104BD4	45-1
+	DEV END SET		LC104BF4	46-1
+	BUS IN 0 IND		LC202AJ4	47-1
+	BUS IN 1 IND		LC202AK4	48-1
+	BUS IN 2 IND		LC202AL4	49-1
+	BUS IN 3 IND		LC202AM4	50-1
+	BUS IN 4 IND		LC202AN4	51-1
+	BUS IN 5 IND		LC202AP4	52-1
+	BUS IN 6 IND		LC202AQ4	53-1
+	BUS IN 7 IND		LC202AR4	54-1
+	ATTENTION SET		LC203AL4	55-1
+	CUE SET		LC203AQ4	56-1
+	UNIT CHK SET		LC203AT4	58-1
+	UNIT EX SET		LC203AU4	59-1
+	BUS IN PARITY IND		LC203BA4	60-1
+	BUSY EXIT		LC204AJ4	61-1
+	CMD REJ SET		LC204AL4	62-1
+	DATA CHK SET		LC204AN4	63-1
+	INT RGD SET		LC204AQ4	64-1
+	UNIT SPECIFY SET		LC204AS4	65-1
+	BUS OUT CHK SET		LC204AU4	66-1
+	CNTL CHK SET		LC204AV4	67-1
+	EQUIP CHK SET		LC204AY4	68-1
+	OPER CHK SET		LC206BM4	69-1
+	BUS IN 2		LC206BN4	70-1
+	BUS IN 6		LC206BP4	71-1
+	BUS IN 0		LC206BQ4	72-1
+	BUS IN 3		LC206BR4	73-1
+	BUS IN 1		LC206BS4	74-1
+	INT DISABLED IND		LC207BQ4	75-1
+	BUS IN 7		LC207BR4	76-1
+	BUS IN 5		LC207BS4	77-1
+	BUS IN 4		LC207BT4	78-1
+	BUS IN PARITY		LC304AL4	79-1
+	CMD STORED		LC401B24	80-1
+	SEL OUT		LC402AL4	81-1
+	CHAN REQ SET		LC402AR4	82-1
+	OP IN SET		LC402AT4	83-1
+	ADDRESS IN TAG		MP192AF4	84-1
+	REQUEST IN		MP192AF4	84-1



138	+ BUS OUT 0	LC301-AA1	
139	+ BUS OUT 1	LC301-AA2	
140	+ BUS OUT 2	LC301-AA3	
141	+ BUS OUT 3	LC301-AA4	
142	+ BUS OUT 4	LC301-AA5	
143	+ BUS OUT 5	LC301-AA6	
144	+ BUS OUT 6	LC301-AA7	
145	+ BUS OUT 7	LC301-AA8	
146	+ BUS OUT PARITY	LC301-AA9	
212	01S-B1C1J04	01S-B1E1J04	AB1
213	01S-B1C1G05	01S-B1E1G05	AB2
214	01S-B1C1J06	01S-B1E1J06	AB3
215	01S-B1C1G08	01S-B1E1G08	AB4
216	01S-B1C1J09	01S-B1E1J09	AB5
217	01S-B1C1G10	01S-B1E1G10	AB6
218	01S-B1C1J11	01S-B1E1J11	AB7
219	01S-B1C1G12	01S-B1E1G12	AB8
220	01S-B1C1G03	01S-B1E1G03	AB9
170	RESERVED FOR FUTURE USE	AC1	
171	MARK OUT	AC2	
172	MARK IN	AC3	
173	RESERVED FOR FUTURE USE	AC4	
123	- ON LINE SW ON	LC401-AD1	
124	- ON LINE SW OFF	LC401-AD2	
177	- INT DISABLED IND	AE1	
*** LC003 ***			
121	+ SRV-S IND	AA0	
112	+ BUS-IN 0 IND	AA1	
113	+ BUS-IN 1 IND	AA2	
114	+ BUS-IN 2 IND	AA3	
115	+ BUS-IN 3 IND	AA4	
116	+ BUS-IN 4 IND	AA5	
117	+ BUS-IN 5 IND	AA6	
118	+ BUS-IN 6 IND	AA7	
119	+ BUS-IN 7 IND	AA8	
120	+ BUS-IN P IND	AA9	
210	+ CE-REM IND	AB0	
201	+ REQ-I IND	AB1	
202	+ SEL-O IND	AB2	
203	+ CH-REQ IND	AB3	
204	+ UP-I IND	AB4	
205	+ ADR-I IND	AB5	
206	+ SRV-I IND	AB6	
207	+ STA-I IND	AB7	
208	+ ST-EARLY IND	AB8	
209	+ STA-REQ IND	AB9	
157	+ STOP IND	AC0	
148	+ ATT IND	AC1	
149	+ SM IND	AC2	
150	+ CUE IND	AC3	
151	+ BSY IND	AC4	
152	+ CE IND	AC5	
153	+ UE IND	AC6	
154	+ UC IND	AC7	
155	+ U EX IND	AC8	
156	+ END IND	AC9	
110	+ STACK IND	AD0	
101	+ CMD REJ IND	AD1	
102	+ INV RGD IND	AD2	
103	+ BO CHK IND	AD3	
104	+ EQ CHK IND	AD4	
105	+ DAT CHK IND	AD5	
106	+ UNIT SPY IND	AD6	
107	+ CTL CHK IND	AD7	
108	+ OP CHK IND	AD8	
109	+ CMD ST IND	AD9	
168	+ CE RESET SW	LC401-AE0	
159	+ CE BO PARITY SW	LC301-AE1	
160	+ CE BO 0 SW	LC301-AE2	
161	+ CE BO 1 SW	LC301-AE3	
162	+ CE BO 2 SW	LC301-AE4	
163	+ CE BO 3 SW	LC301-AE5	
164	+ CE BO 4 SW	LC301-AE6	
165	+ CE BO 5 SW	LC301-AE7	
166	+ CE BO 6 SW	LC301-AE8	
167	+ CE BO 7 SW	LC301-AE9	
130	+ CE SUPP OUT	LC405-AF1	
131	+ CE SEL OUT SW ON	LC401-AF2	
132	+ CE ADR OUT SW ON	LC401-AF3	
133	+ CE CMD OUT SW ON	LC401-AF4	
134	+ CE SRV OUT SW ON	LC401-AF5	
135	+ CE OP OUT SW ON	LC401-AF6	
136	+ CE INH BO CHK SW ON	LC301-AF7	
481	+ 5 VOLTS CE PANEL	AG4	

52	A-A1F1B13	01A-A1R6C02	80	A-A1D1E13	141	A-A1T6C02	164	A-A1M1D11
53	A-A1F1D11	70	A-A1V6A02	81	A-A1E1A13	01A-A1Q6B02	165	A-A1M1C11
54	A-A1F1B11	01A-A1R6E02	82	A-A1D1E11	142	A-A1T6D04	166	A-A1M1B11
55	A-A1F1A13	71	A-A1U6D04	83	A-A1G1A13	01A-A1Q6C04	167	A-A1L1D13
56	A-A1K1A11	01A-A1R6C04	84	A-A1E1B11	143	A-A1T6D02	170	A-A1U6C04
57	A-A1J1E11	72	A-A1U6E04	89	A-A1N1A13	01A-A1R6C02	01A-A1R6B04	
58	A-A1J1C11	01A-A1R6D04	131	A-A1E1E13	144	A-A1T6E04	171	A-A1U6A04
59	A-A1E1E13	73	A-A1U6C02	132	A-A1M1D13	01A-A1Q6D04	01A-A1Q6E04	
60	A-A1K1B11	01A-A1R6B02	133	A-A1E1B13	145	A-A1T6E02	172	A-A1V6B02
61	A-A1H1C11	75	A-A1V6B04	134	A-A1M1A13	01A-A1Q6D02	01A-A1S6A02	
62	A-A1K1B13	01A-A1S6A04	135	A-A1L1E13	146	A-A1T6A04	173	A-A1T6A02
63	A-A1H1D13	76	A-A1V6A04	136	A-A1M1B13	01A-A1P6E04	01A-A1P6E02	
64	A-A1H1C13	01A-A1R6E04	138	A-A1T6B02	168	A-A1M1A11	481	A-A1E1A11
65	A-A1H1B13	77	A-A1U6E02	01A-A1Q6A02	159	A-A1M1E11	01A-A1H1B11	
66	A-A1H1D13	01A-A1R6D02	139	A-A1T6B04	160	A-A1N1D11	01A-A1L1E11	
67	A-A1F1E11	78	A-A1U6A02	01A-A1Q6A04	161	A-A1N1C11		
68	A-A1G1A11	87	A-A1H1D11	01A-A1Q6E02	140	A-A1T6C04	162	A-A1N1B11
69	A-A1F1C11	79	A-A1J1B13	01A-A1Q6B04	163	A-A1N1A11		

LOC. TYPE PAGE VER EC LEV
 LC001 LC001 000 716956
 LC003 000 739548

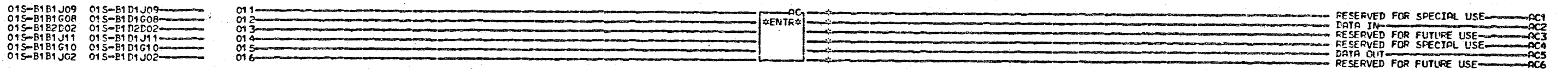
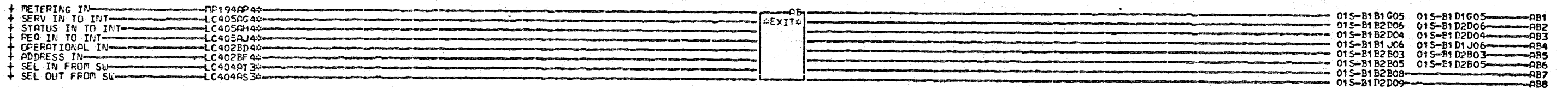
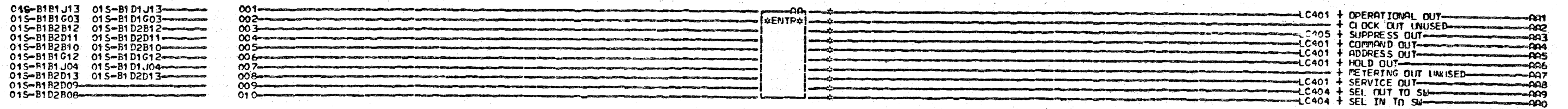
ANR LOCAL INTF BUS
 CE INDICATORS + SWITCHES
 E.C.-HISTORY MACH#3272

717471
 716956
 717490
 717955

DATE LAST EC
 03-27-74 739548

FRAME 01 LC001
 IBR CORP.SDD LC003
 IP.No 1823000 000

LC001
 LC003
 000



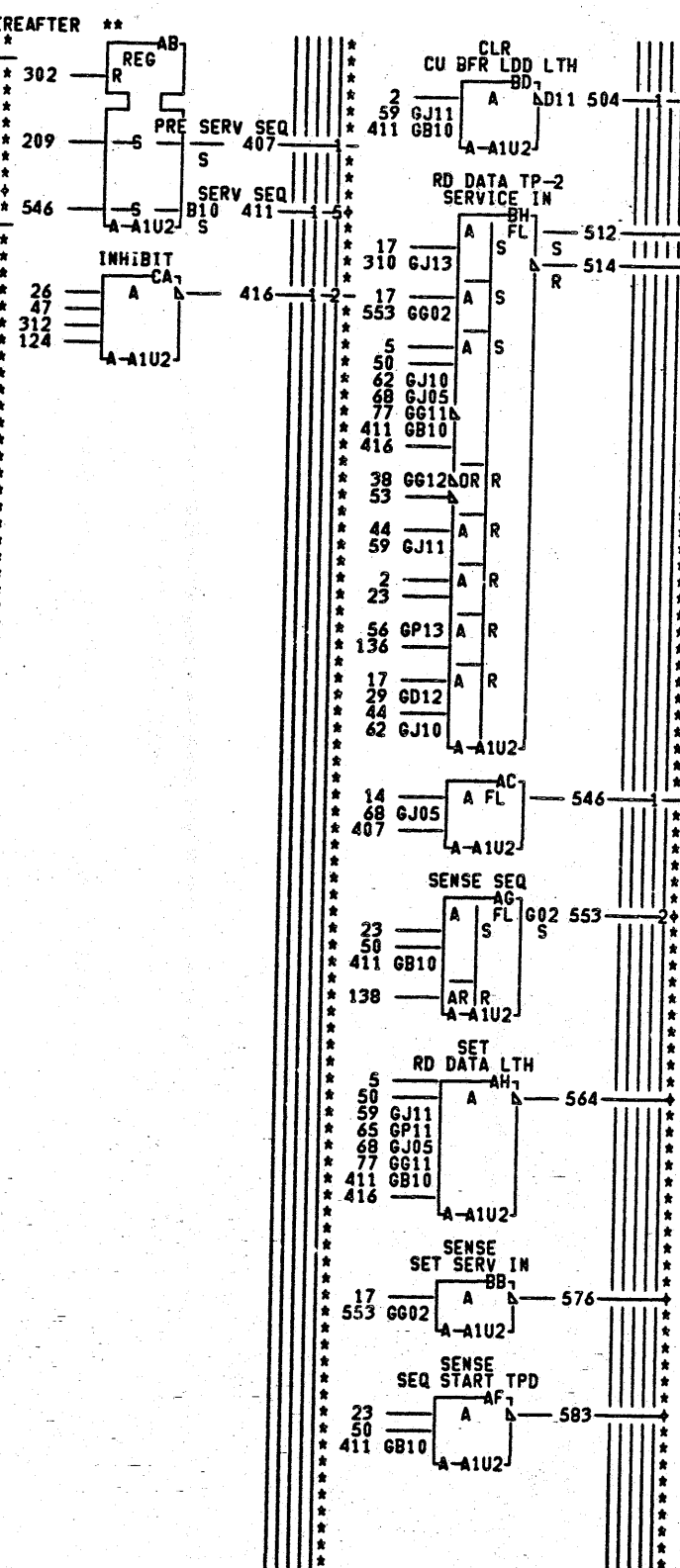
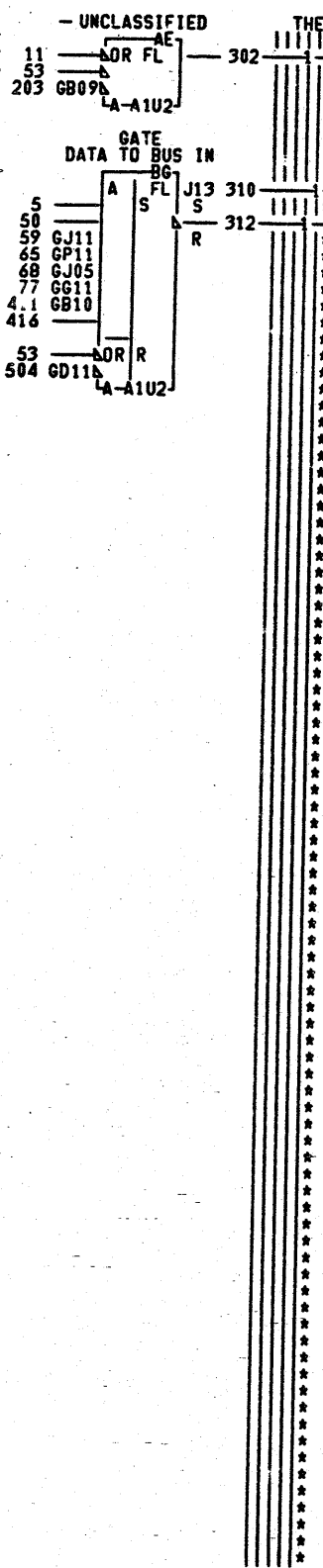
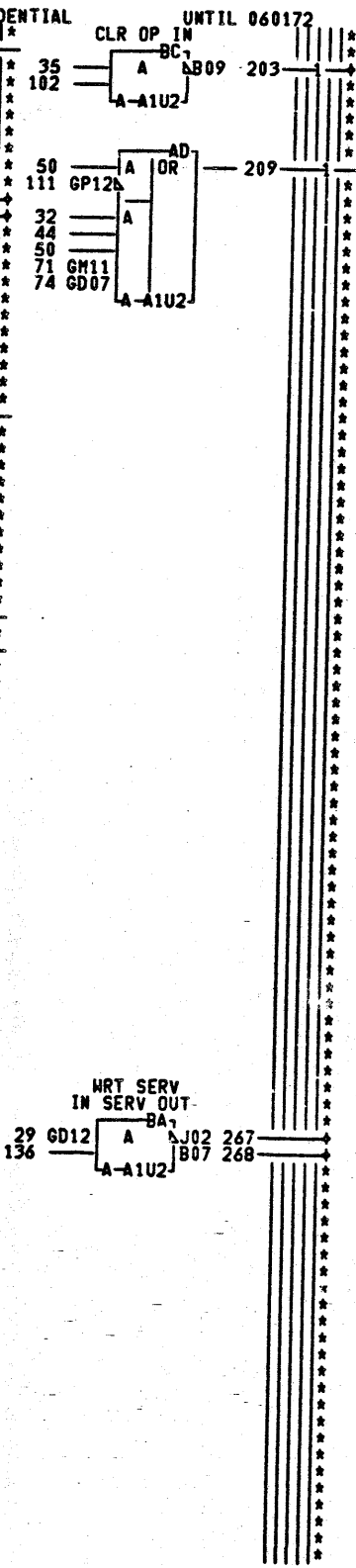
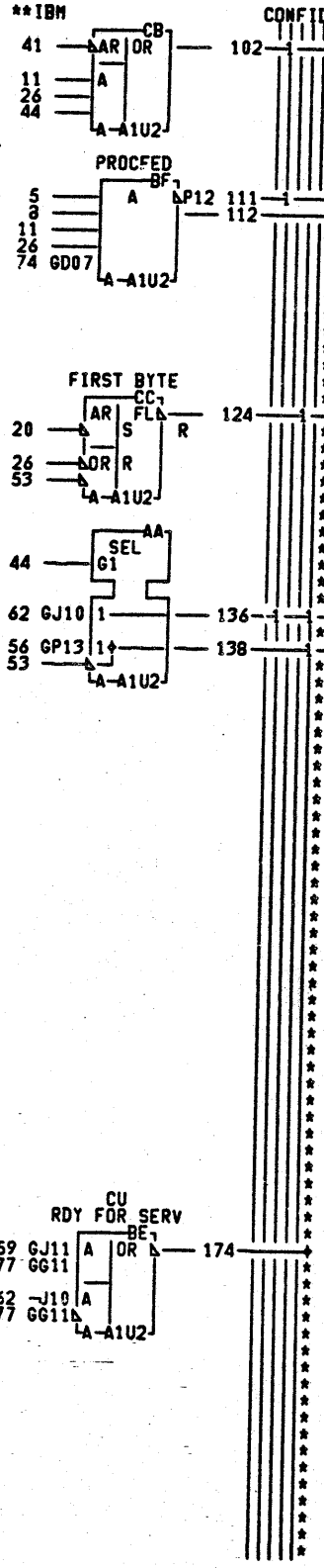
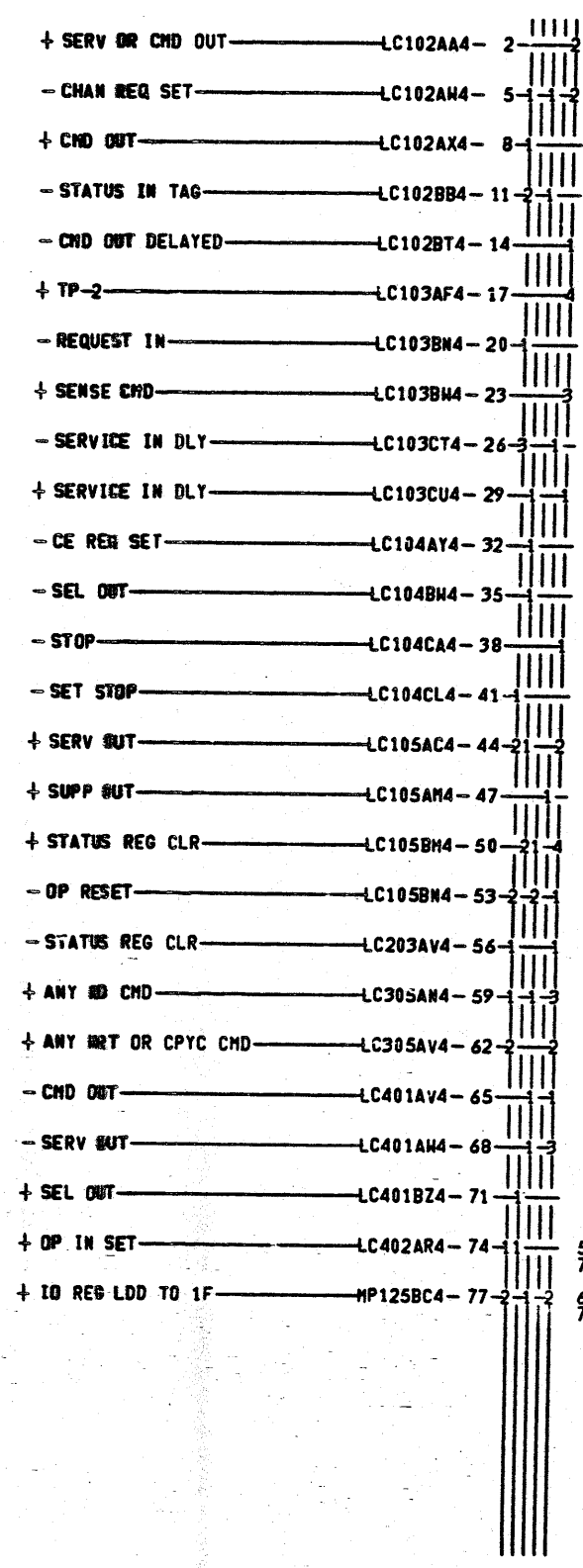
LC005
000

LC402BD4	01A-A1U1E13	01A-A1Q1C13	AA3 A-A1U1A11	01A-A1Q1D13	01A-A1S1A11
01A-A1V1B13	LC405AG4	MP194AP4	01A-A1Q1E11	AA8 A-A1U1C13	AC4 A-A1T1B13
01A-A1S1A13	01A-A1U1E11	01A-A1T1D11	AA4 A-A1U1C11	01A-A1R1B13	01A-A1Q1A11
LC402BF4	01A-A1R1D11	01A-A1Q1C11	01A-A1R1B11	AA9 A-A1U1D13	AC5 A-A1T1C11
01A-A1V1A13	LC405AH4	AA10A-A1R1D13	AA5 A-A1U1D11	AC1 A-A1T1B11	01A-A1Q1B11
01A-A1R1E13	01A-A1V1A11	AA1 A-A1T1A11	01A-A1R1C11	01A-A1Q1A11	AC6 A-A1U1B11
LC404AS3	01A-A1R1E11	01A-A1P1E11	AA6 A-A1T1A13	AC2 A-A1T1C11	01A-A1R1A13
01A-A1R1C13	LC405AJ4	AA2 A-A1T1E11	01A-A1P1E13	01A-A1Q1B11	
LC404AT3	01A-A1T1D13	01A-A1Q1D11	AA7 A-A1T1E13	AC3 A-A1V1B11	

LOC. TYPE

ANR LOCAL INTERFACE	
TAGS EXIT ENTER	
F.C. HISTORY	B. MACH. 3272
717471	
717483	FRAME 01
DATE LAST EC	IBR CORP. SDD
07-12-72 717955	P.No 1823001

LC005
000



LOC. TYPE
A-A1U2 9046

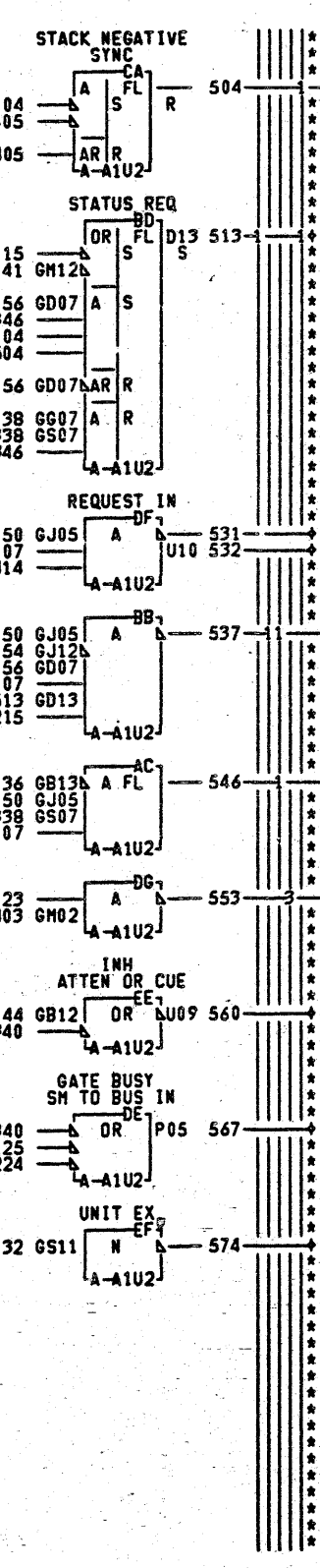
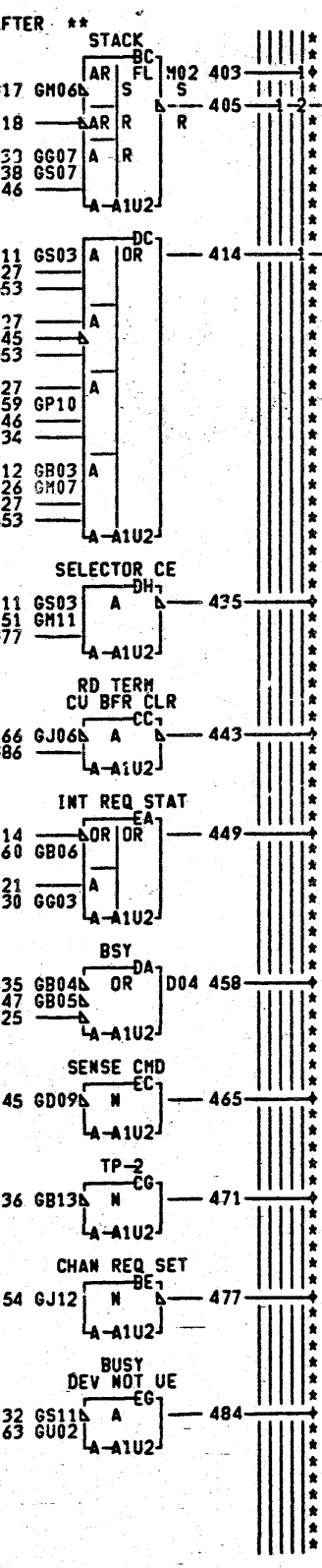
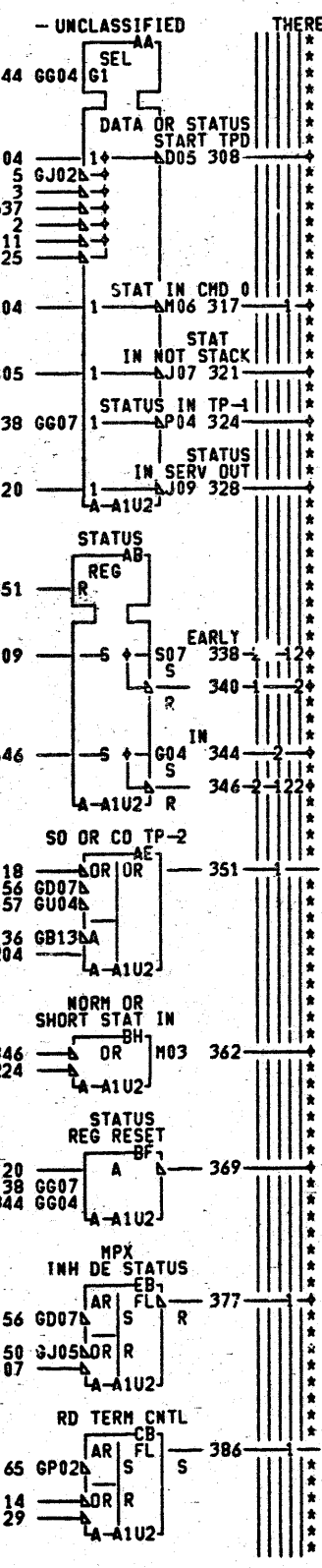
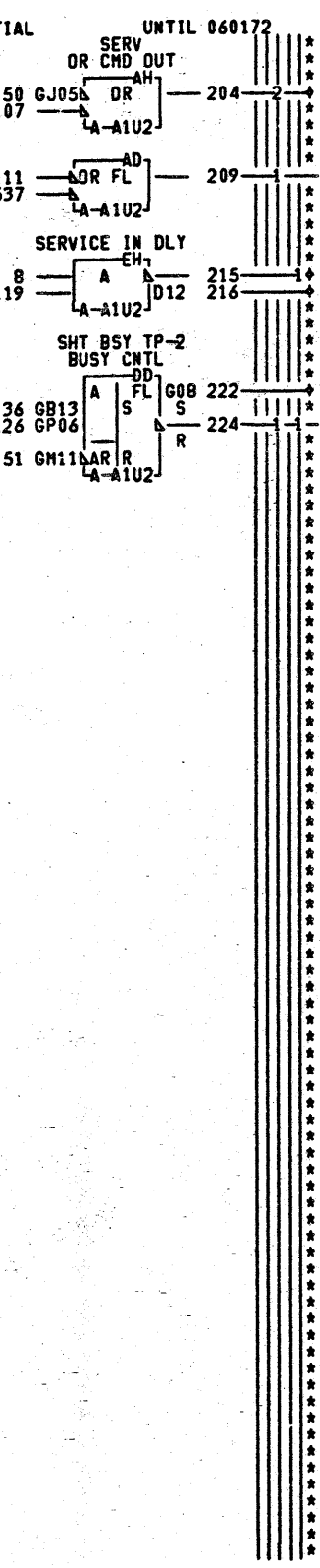
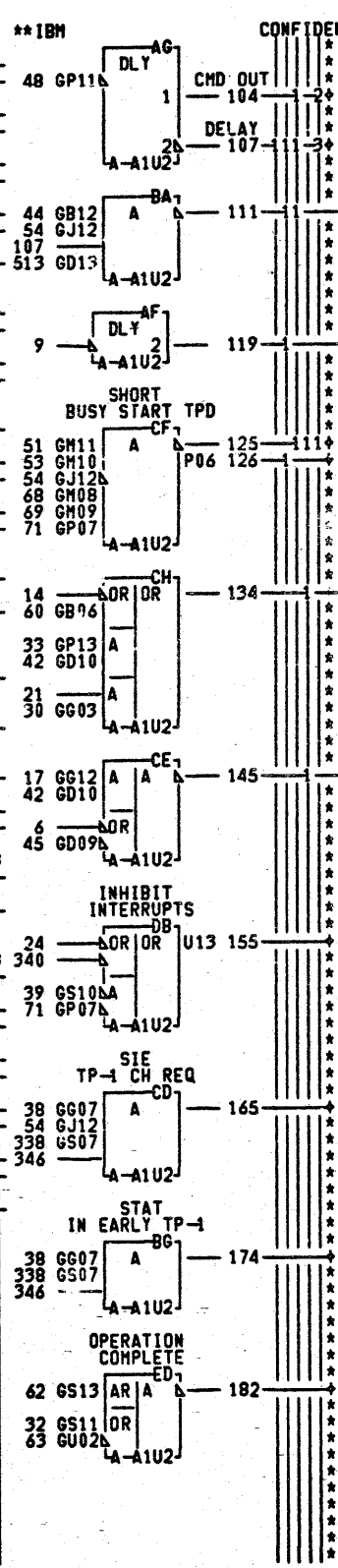
PAGE VER EC LEV
LC101 000 741252

LC101
LC101
000

ANR LOCAL INTERFACE			
DATA STATUS CONTROLS			
-E.C. HISTORY-A-MACH.3272			
717471	718948	FRAME 01	LC101
716956	739548		
717483		IBM CORP.KN	LC101
717490			
DATE	LAST EC	P.N. 1823851	000
05-07-75	741252		

LC102
LC103
000

LC101AA4-2
LC101AE4-3
LC101AG4-5
LC101AM4-6
LC101BA4-8
LC101BB4-9
LC104AR4-11
LC104BF4-12
LC104BG4-14
LC104BH4-15
LC104CA4-17
LC105AA4-18
LC105AC4-20
LC105AE4-21
LC105AM4-23
LC105AY4-24
LC105AZ4-26
LC105BL4-27
LC105BN4-29
LC203AL4-30
LC203AT4-32
LC203AV4-33
LC203BB4-35
LC303AU4-36
LC303AV4-38
LC303AX4-39
LC304AG4-41
LC304AL4-42
LC304BC4-44
LC305AF5-45
LC305BF4-47
LC401AV4-48
LC401A4-50
LC401B24-51
LC402AA4-53
LC402AL4-54
LC402AR4-56
LC403BR6-57
LC405AF4-59
LC501BP4-60
MP012BR4-62
MP081AQ4-63
MP115CK4-65
MP125AF4-66
MP143BR4-68
MP143CB4-69
MP193AV4-71



000 LC102 LC103

*** LC102 ***

204 + SERV OR CMD OUT LC101-AA4
317 - SET STACK AC4
403 + STACK SET AJ4
513 + STATUS REQ LC003-LC204 LC304 LC403
338 + GT STAT TO BUS IN AQ4
340 - STATUS IN EARLY LC104-AR4
477 - CHAN REQ SET AM4
104 + CMD OUT AX4
344 + STATUS IN TAG BA4
346 - STATUS IN TAG BB4
328 - STATUS IN SERV OUT BC4
369 - STATUS REG RESET LC105-BD4
308 - DATA OR STATUS START TPD BG4
324 - STATUS IN TP-1 BH4
362 + NORM OR SHORT STAT IN BP4
107 - CMD OUT DELAYED LC101-BT4
443 - RD TERM CU BFR CLR LC104-BX4
174 + STAT IN EARLY TP-1 LC105-CE4
165 + SIE TP-1 CH REQ LC104-CF4
321 - STAT IN NOT STACK LC402-DA4

*** LC103 ***

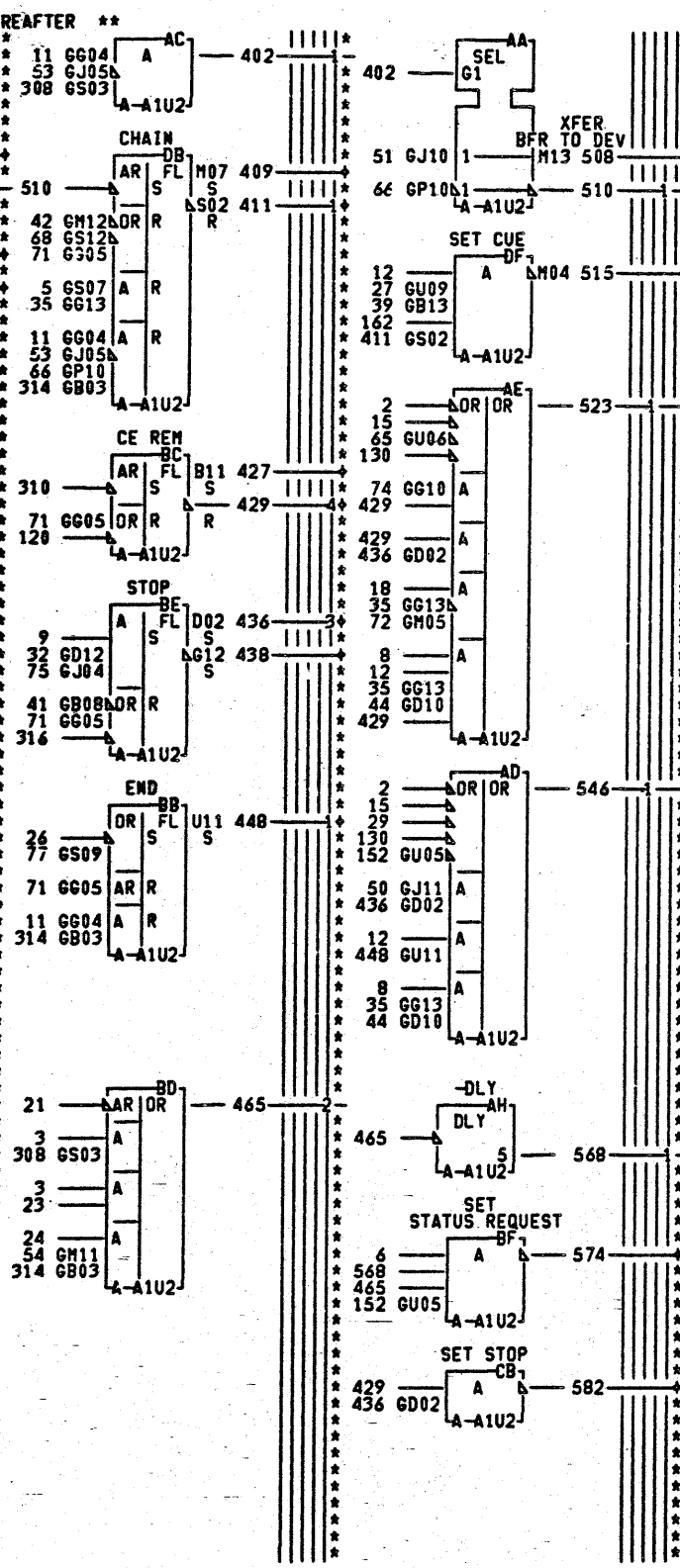
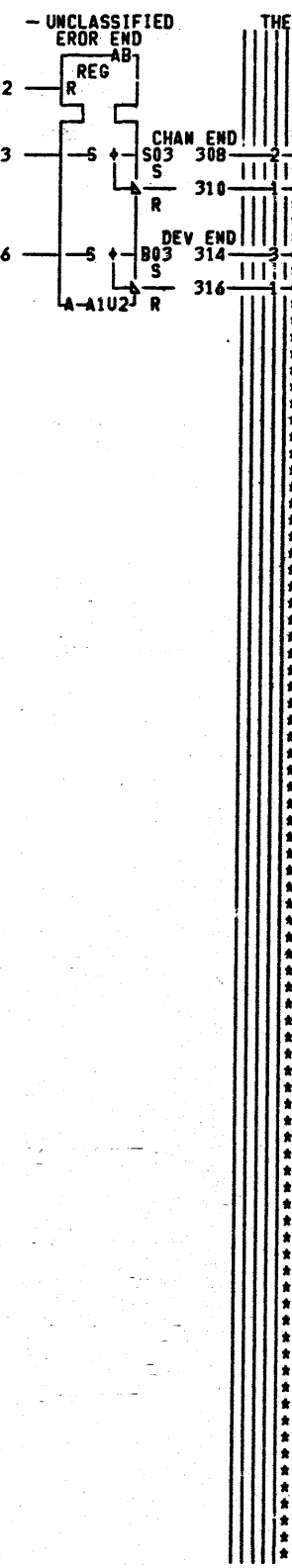
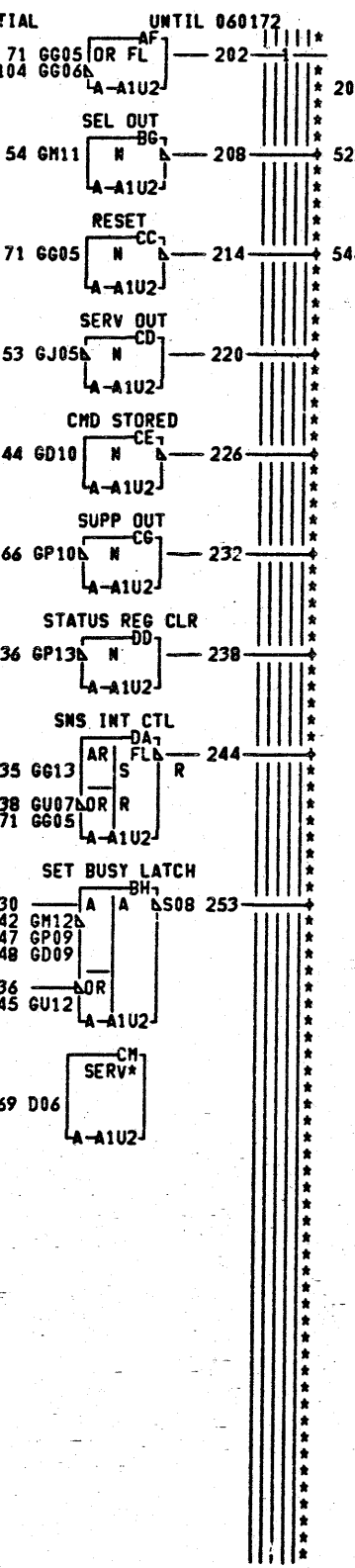
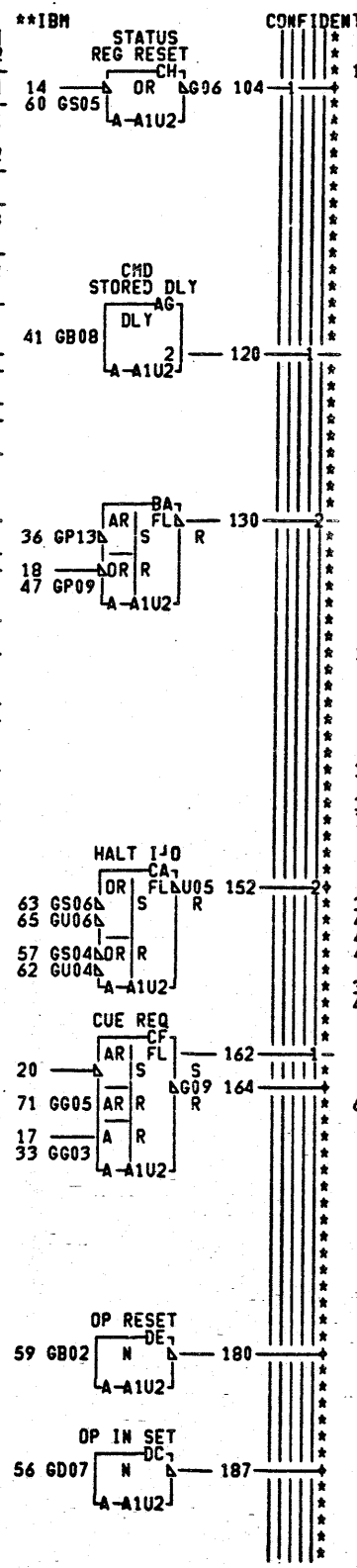
125 - SHORT BUSY START TPD LC105-AE4
471 + TP-2 LC101-AF4
126 + STATUS MOD AJ4
458 + BUSY MP192-AQ4
155 + INHIBIT INTERRUPTS LC202-AK4
222 + BUSY CNTL MP192-AS4
532 + REQ IN MP192-AU4
567 + GATE BUSY SM TO BUS IN AV4
531 - REQUEST IN LC101-BN4
435 - SELECTOR CE LC104-BQ4
449 + INT REQ STAT LC104-BR4
377 - MPX INH DE STATUS LC104-BT4
465 + SENSE CMD LC101-BW4
182 - OPERATION COMPLETE LC104-BX4
560 - INH ATTN OR CUE CE4
574 - UNIT EX LC104-CF4
484 + BUSY DEV NOT UE LC104-CH4
215 - SERVICE IN DLY LC101-CT4
216 + SERVICE IN DLY CU4
LC003 LC101 LC104 LC405

LOC. TYPE
A-1U2 9046

PAGE VER EC LEV
LC102 000 741252
LC103 000 741252

ANR LOCAL INTERFACE			
DATA STATUS CONTROLS			
E.C. HISTORY - A-MACH.3272			
717483	718948		
717490	718964	FRAME	01 LC102
717955	739548		
718548	740038	IBM CORP.KN	LC103
DATE LAST EC		P.N. 1823853 000	
05-07-75 741252			

- SENSE SET SERV IN LC101AH4- 2
 + PROCED LC101BR4- 3
 + GT STAT TO BJS IN LC102AQ4- 5
 - STATUS IN EARLY LC102AR4- 6
 - CHAN REQ SET LC102AW4- 8
 + CMD OUT LC102AX4- 9
 + STATUS IN TAG LC102BA4- 11
 - STATUS IN TAG LC102BB4- 12
 - STATUS REG RESET LC102BD4- 14
 - RD TERM CU BFR CLR LC102BX4- 15
 + STAT IN EARLY TP-1 LC102CE4- 17
 + SIE TP-1 CH RCM LC102CF4- 18
 - SHORT BUSY START TPD LC103AE4- 20
 - SELECTOR CE LC103BQ4- 21
 + INT REQ STAT LC103BR4- 23
 - MPX INH DE STATUS LC103BT4- 24
 - OPERATION COMPLETE LC103BX4- 26
 - INH ATTN OR CUE LC103CE4- 27
 - UNIT EX LC103CF4- 29
 + BUSY DEV NOT UE LC103CH4- 30
 + SERVICE IN DLY LC103CU4- 32
 - CUE SET LC203AL4- 33
 + UNIT CHK SET LC203AQ4- 35
 - STATUS REG CLR LC203AV4- 36
 - SMS REG RESET LC205BU4- 38
 - TP 2 LC303AU4- 39
 + CMD STORED SET LC304AD4- 41
 - CMD CYCLE TP-2 LC304AG4- 42
 + CMD STORED LC304AL4- 44
 - TEST I/O LC304BB4- 45
 - NO-OP CMD LC305AF4- 47
 - SENSE CMD LC305AF5- 48
 + ANY RD CMD LC305AM4- 50
 - ANY WRT OR CPYC CMD LC305AV4- 51
 - SERV OUT LC401AH4- 53
 + SEL OUT LC401BZ4- 54
 + OP IN SET LC402AR4- 56
 - SYSTEM RESET 1 LC403AC4- 57
 + OP RESET LC403AU4- 59
 + SMS STATUS RST LC403BN4- 60
 - OP RST CLEAR SS LC403BR6- 62
 - H I/O CE REM LC403CD4- 63
 - SET HALT I/O LC403CF4- 65
 - SUPP OUT LC405AF4- 66
 - CHAN BREAK CHAIN LC501AL4- 68
 - PTR CLR STOP LC501AN4- 69
 + RESET LC501AT4- 71
 + CMD IMED LC501BC4- 72
 + SET CE LC501BF4- 74
 + TP-4B MP061BE2- 75
 + SET DEV END MP089AT4- 77



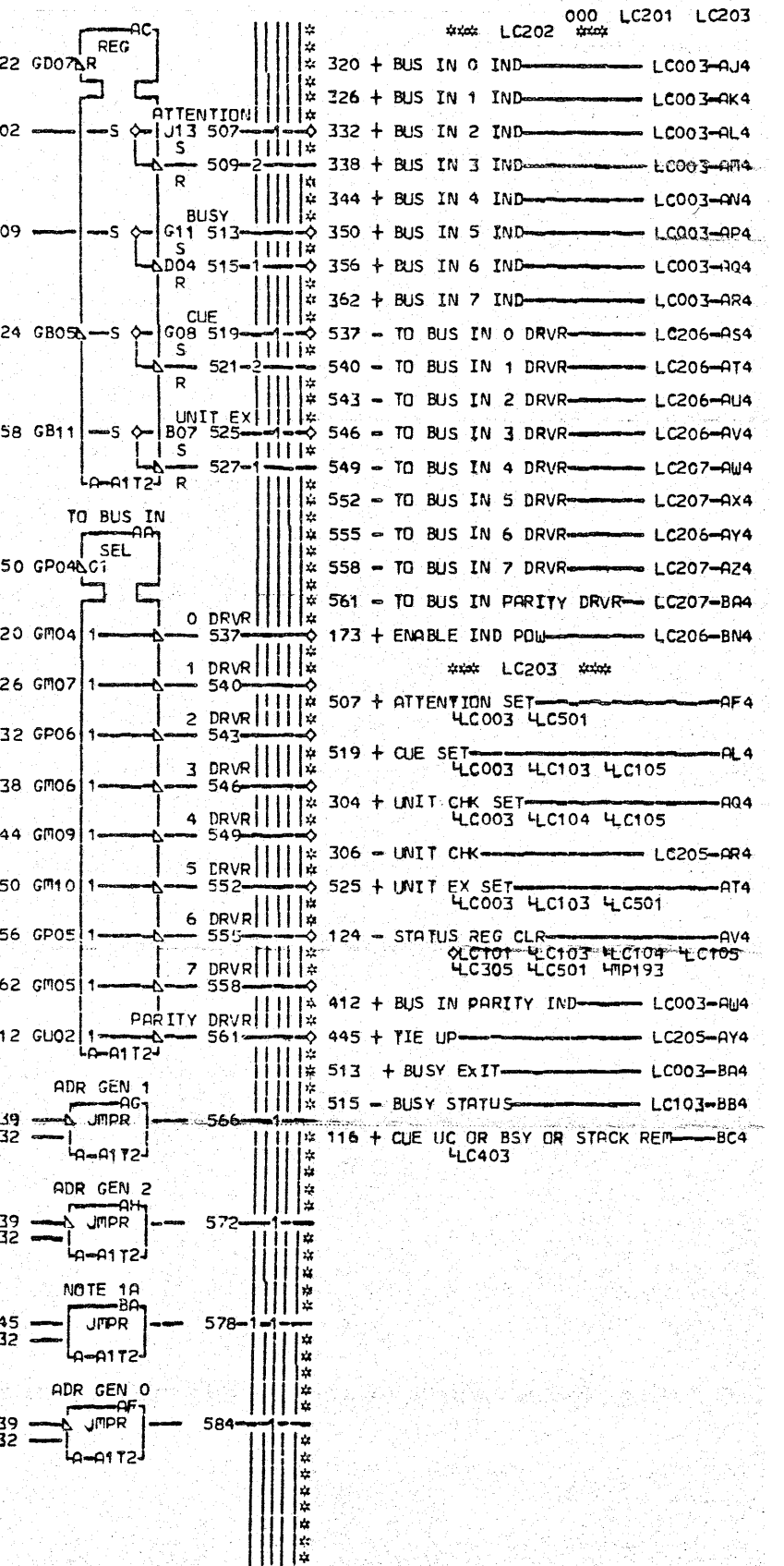
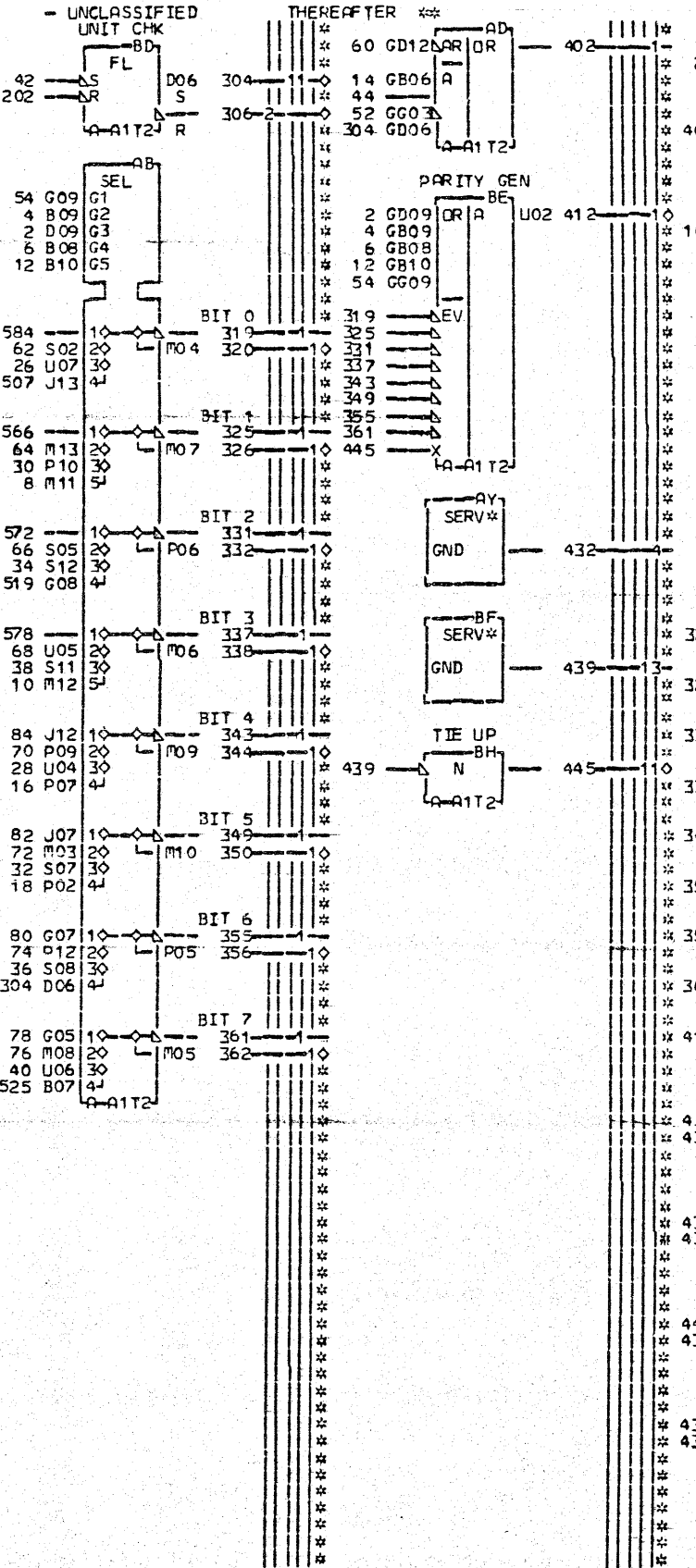
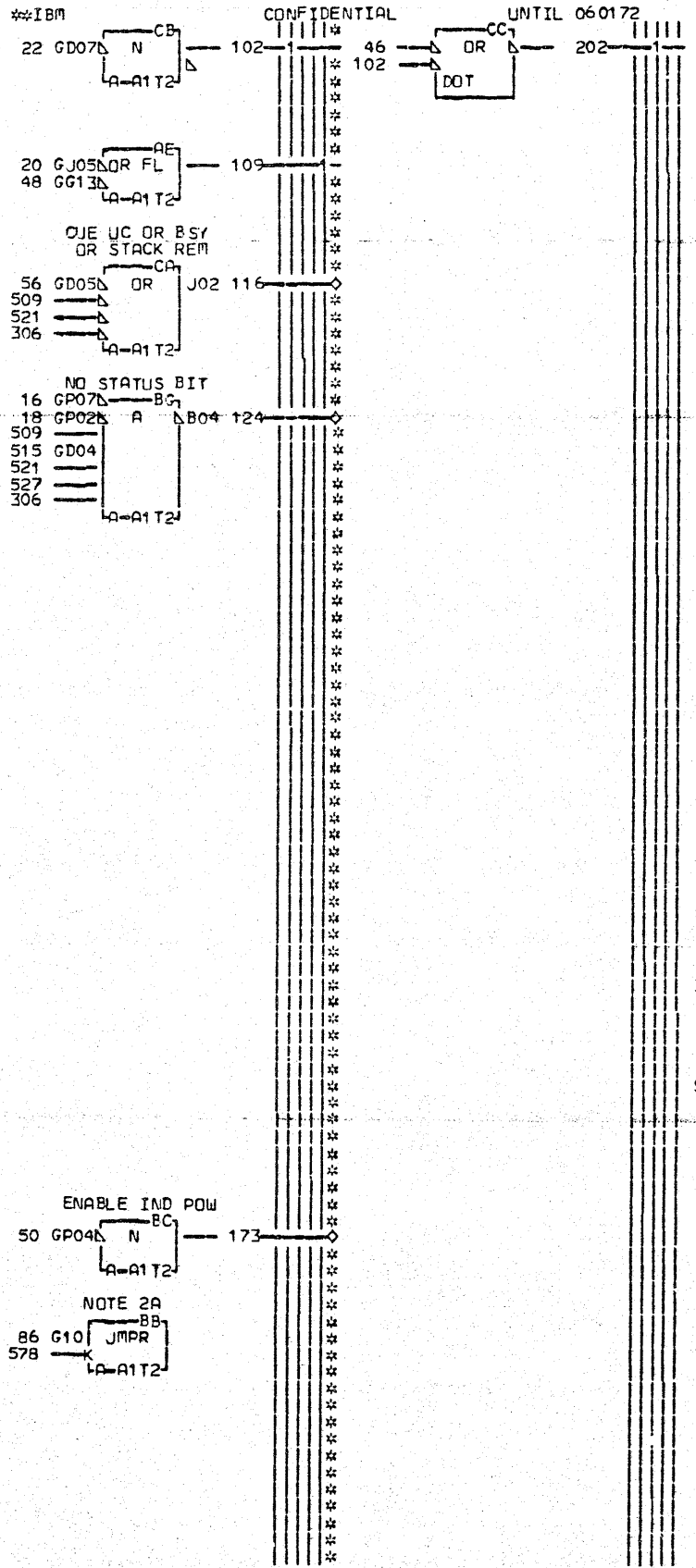
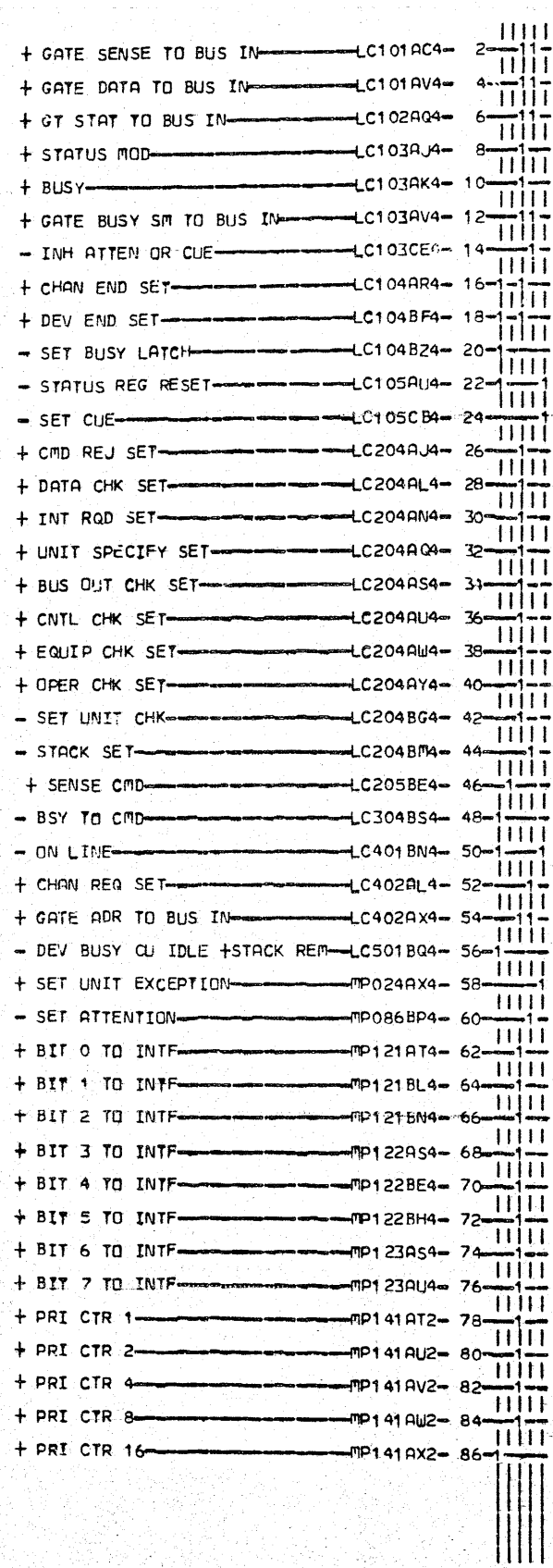
*** LC104 ***
 000 LC104 LC105
 448 + END LC003-AJ4
 308 + CHAN END SET AR4
 +LC003 LC103 LC202 LC203
 4C462 4C403
 427 + CE REM SET AX4
 +LC003 LC403
 429 - CE REM SET LC101-AY4
 436 + STOP LC003-BD4
 314 + DEV END SET BF4
 +LC003 LC103 LC202 LC203
 4C205 4C304 4C403
 316 - DEV END SET BG4
 4C102 LC103
 574 - SET STATUS REQUEST LC102-BH4
 208 - SEL OUT LC101-BH4
 253 - SET BUSY LATCH LC203-BZ4
 438 - STOP 4C101 4C103 4MP051 4MP077
 152 - HALT I/O SET CH4
 4C403 4MP192
 582 - SET STOP LC101-CL4
 *** LC105 ***
 214 - RESET LC102-AA4
 220 + SERV OUT AC4
 4C101 4C102
 226 - CMD STORED LC103-AE4
 508 + XFER BFR TO DEV AG4
 4MP039 4MP051
 164 - CUE REQ SET AL4
 4C403 4C501
 232 + SUPP OUT AM4
 4C101 4C103
 104 - STATUS REG RESET AU4
 4C203 4C501
 244 - SMS INH INT LC103-AY4
 409 + CHAINING AZ4
 4C103 4C501 4MP103
 411 - CHAINING BA4
 4C401 4C403
 187 - OP IN SET LC103-BL4
 238 + STATUS REG CLR LC101-BM4
 180 - OP RESET BN4
 4C101 4C102
 515 - SET CUE LC203-CB4

LOC. TYPE
A-A1U2 9046

PAGE VER EC LEV
LC104 000 741252
LC105 000 741252

ANR LOCAL INTF			
DATA STATUS CNTLS			
- C - HISTORY	A	MACH.3272	
717490	718948		
717955	718954	FRAME 01	LC104
718548	739548		
718550	740038	IBM CORP.KN	LC105
DATE	LAST EC		
05-27-75	741252	P.N. 1823004	000

LC104
LC105
000



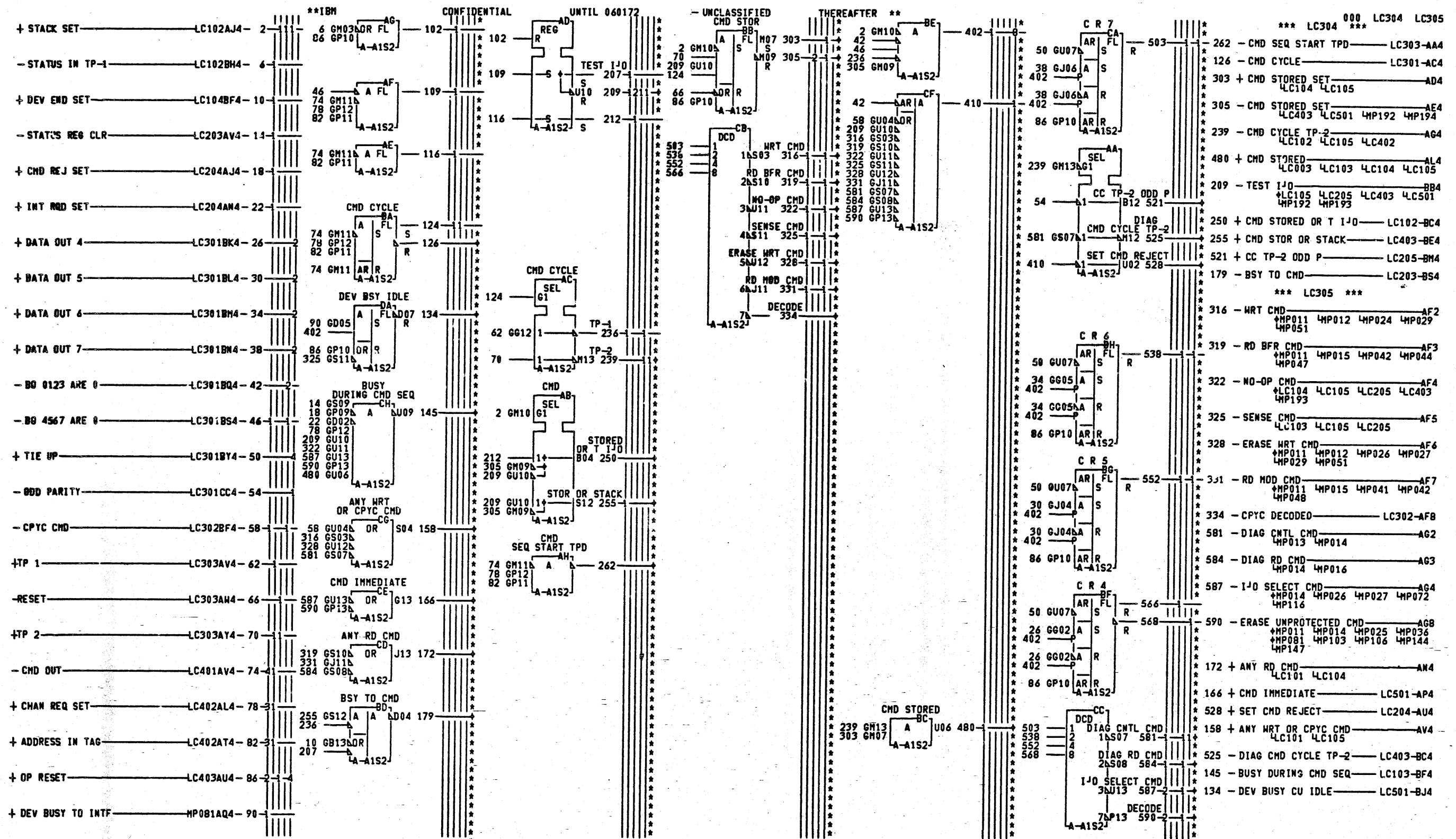
A-NOTE 1 PLUG FOR 16 OR LESS DEVICES DO NOT PLUG FOR MORE THAN 16 DEVICES
 NOTE 2 DO NOT PLUG FOR 16 OR LESS DEVICES PLUG FOR MORE THAN 16 DEVICES

LC201
 LC203
 000

LOC. TYPE
 A-A1T2 9047

PAGE VER EC LEV
 LC201 000 716956
 LC202 000 718964
 LC203 000 740038

ANR LOCAL INTF			
BUS IN SENSE STATUS REGS			
E.C. HISTORY	C-MACH#3272		
717471	717955		
716956	718964	FRAME 01	LC201
717490			
717950		IBM CORP-KN	LC203
DATE	LAST EC		
10-12-74	740038	P-N# 1823005	000



LOC. TYPE
A-A1S2 9048

PAGE VER EC LEV
LC304 000 741252
LC305 000 740038

ANR LOCAL INTERFACE			
BUS OUT	CHD REG	TPD	
717471	717955	A-HACH.3272	
716956	718948	FRAME 01	LC304
717483	718964	IBN CORP.KN	LC305
717490	740038	DATE LAST EC	
05-07-75	741252	P.N. 1823009	000

LC304
LC305
000

***IBA

CONFIDENTIAL

UNTIL 060172

- UNCLASSIFIED THEREAFTER **

- TO BUS IN 0 DRVR LC202AS4- 2-

- TO BUS IN 1 DRVR LC202AT4- 10-

- TO BUS IN 2 DRVR LC202AU4- 18-

- TO BUS IN 3 DRVR LC202AV4- 26-

- TO BUS IN 4 DRVR LC202AW4- 34-

- TO BUS IN 5 DRVR LC202AX4- 42-

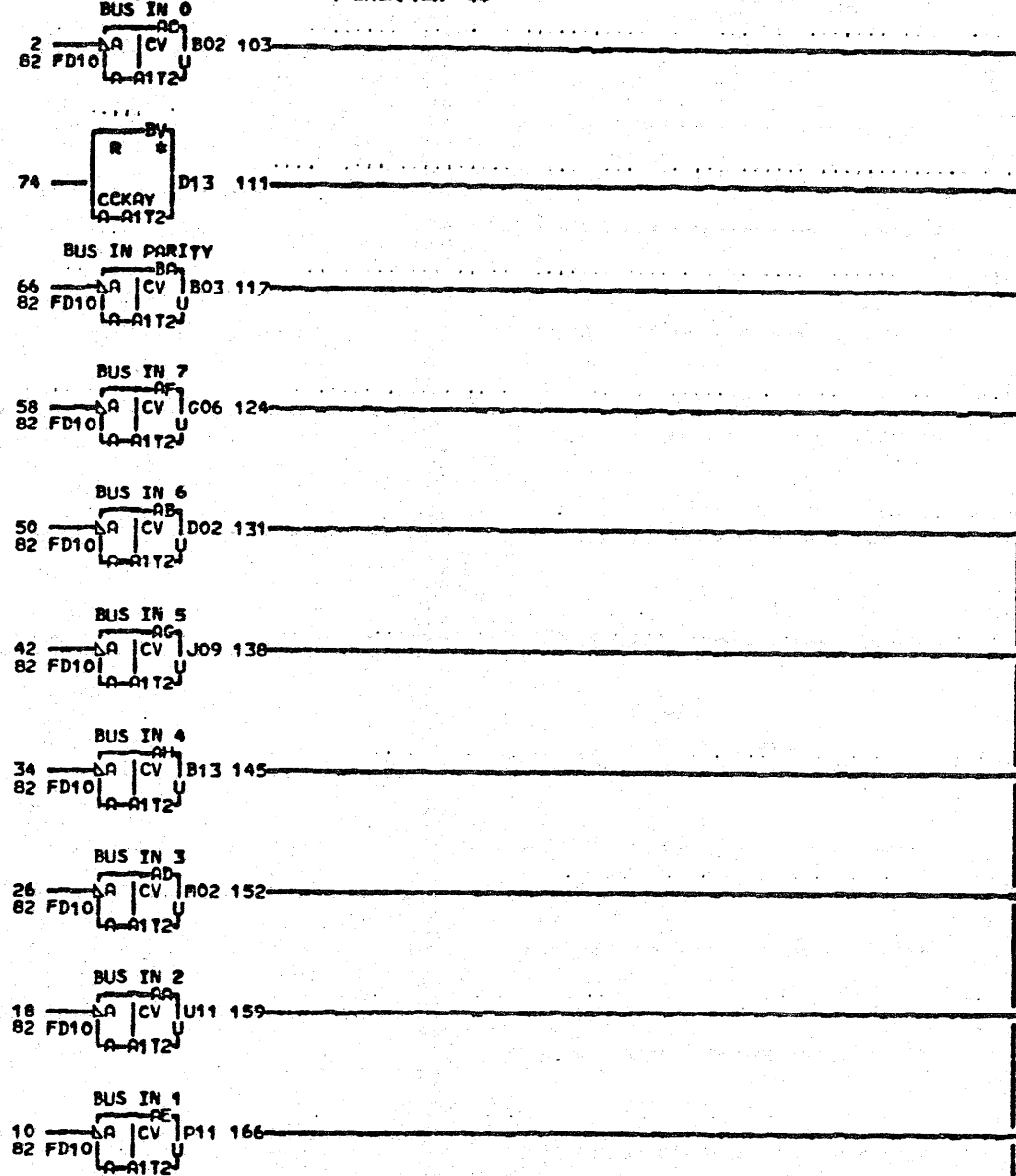
- TO BUS IN 6 DRVR LC202AY4- 50-

- TO BUS IN 7 DRVR LC202AZ4- 58-

- TO BUS IN PARITY DRVR LC202BA4- 66-

+ ENABLE IND POW LC202BN4- 74-

- DRIVER GATE LC404BN4- 82-



000 LC206 LC207

159 + BUS IN 2 LC001-BR4

131 + BUS IN 6 LC001-BN4

103 + BUS IN 0 LC001-BP4

152 + BUS IN 3 LC001-BQ4

166 + BUS IN 1 LC001-BR4

111 INT DISABLED IND LC001-BV4

*** LC207 ***

124 + BUS IN 7 LC001-BQ4

138 + BUS IN 5 LC001-BR4

145 + BUS IN 4 LC001-BS4

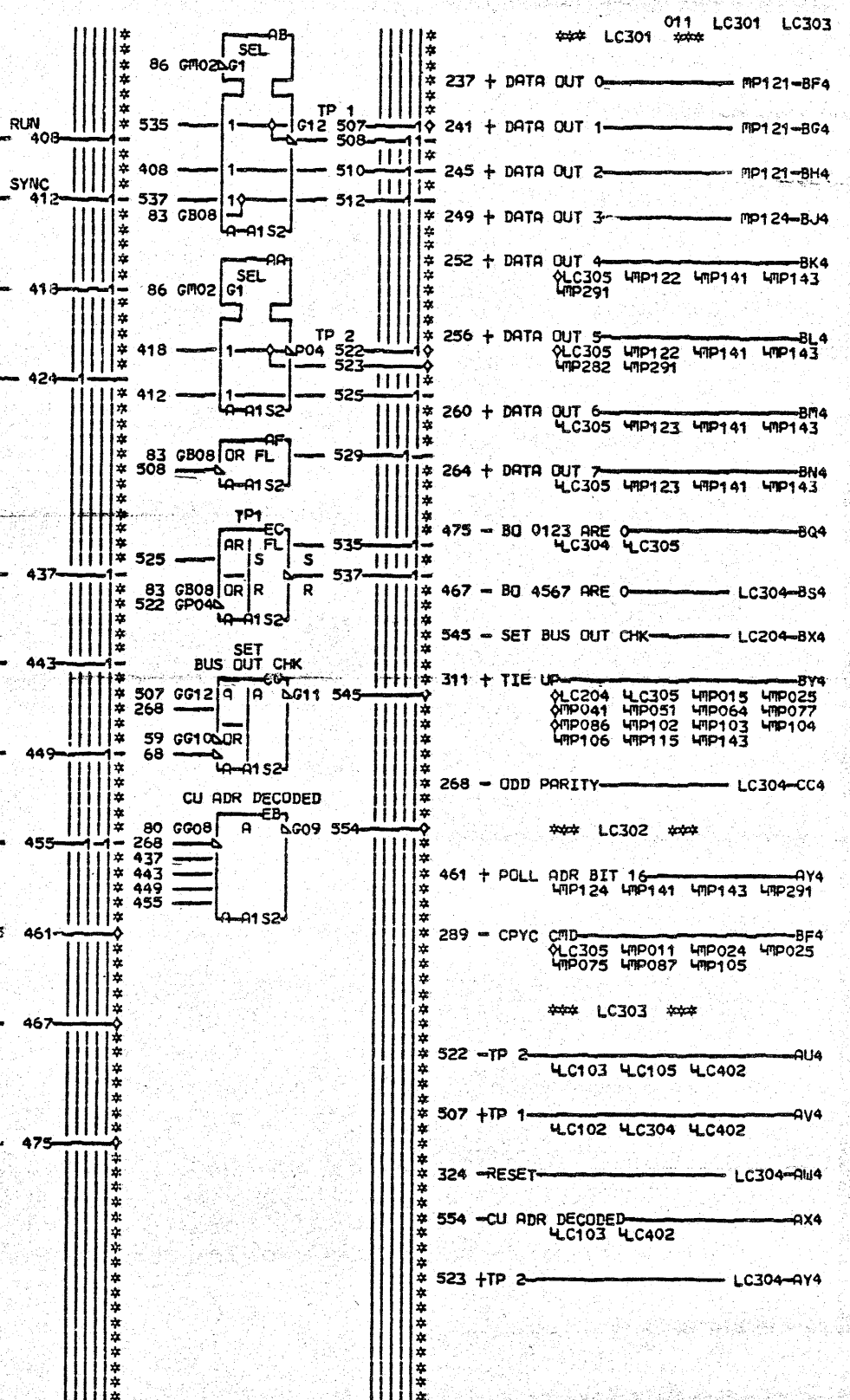
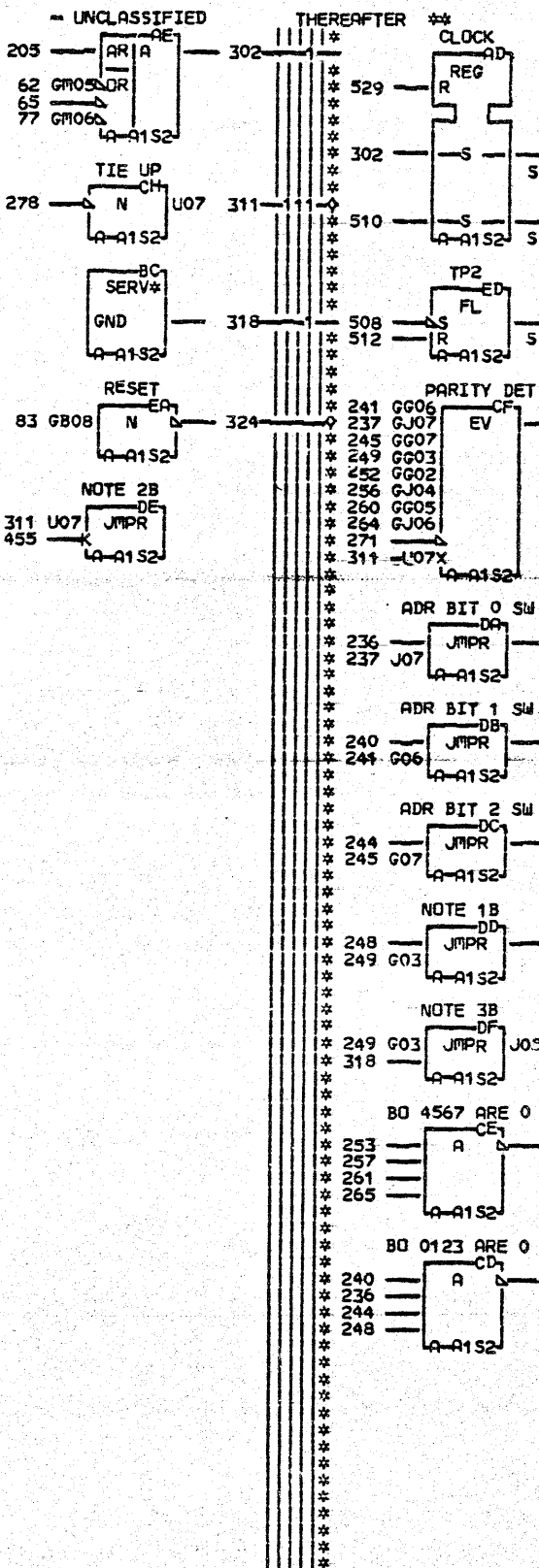
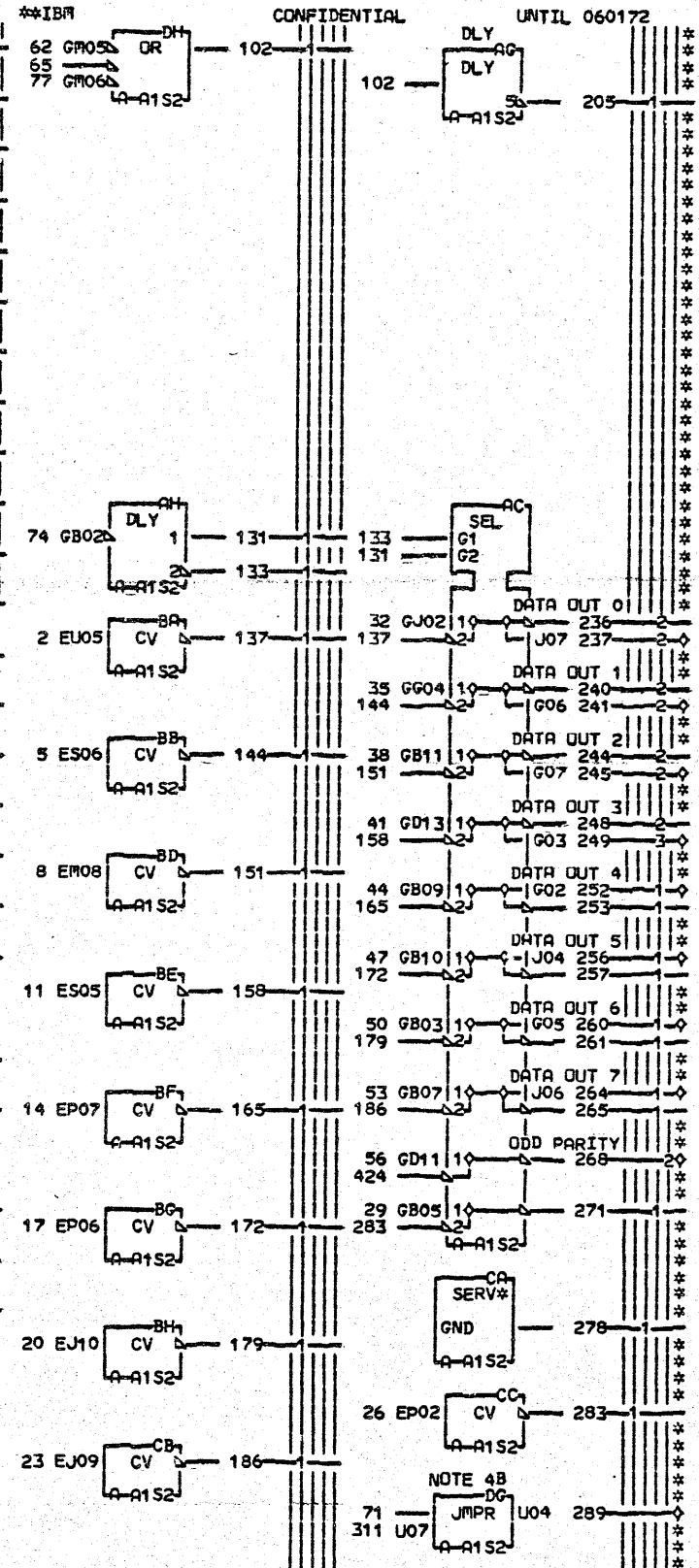
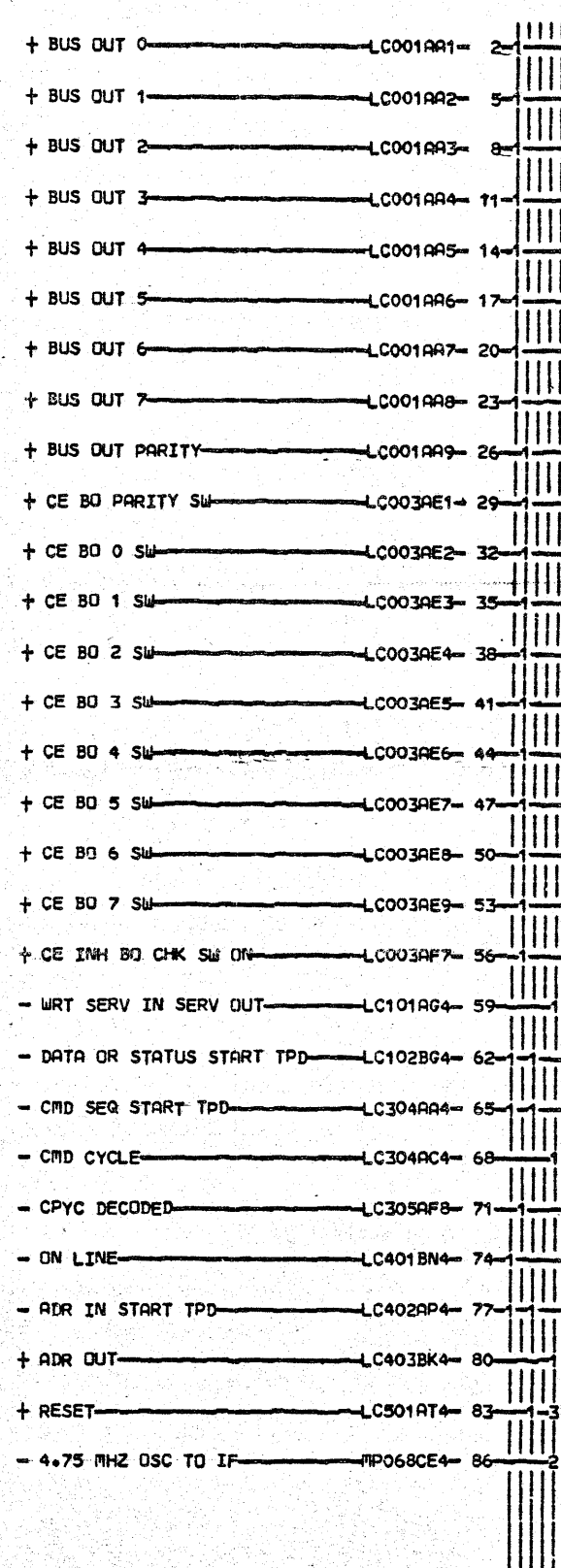
117 + BUS IN PARITY LC001-BT4

LC206
LC207
000

LOC. TYPE
A-R1T2 9047

PAGE VER EC LEV
LC206 000 717471
LC207 000 717471

AIR LOCAL INTERFACE			
E-C-HISTORY	P-MACH	3272	
FRAME	01	LC206	
DATE	LAST EC	IBR CORP-KN	LC207
01-21-72	717471	PoN	1823007 000



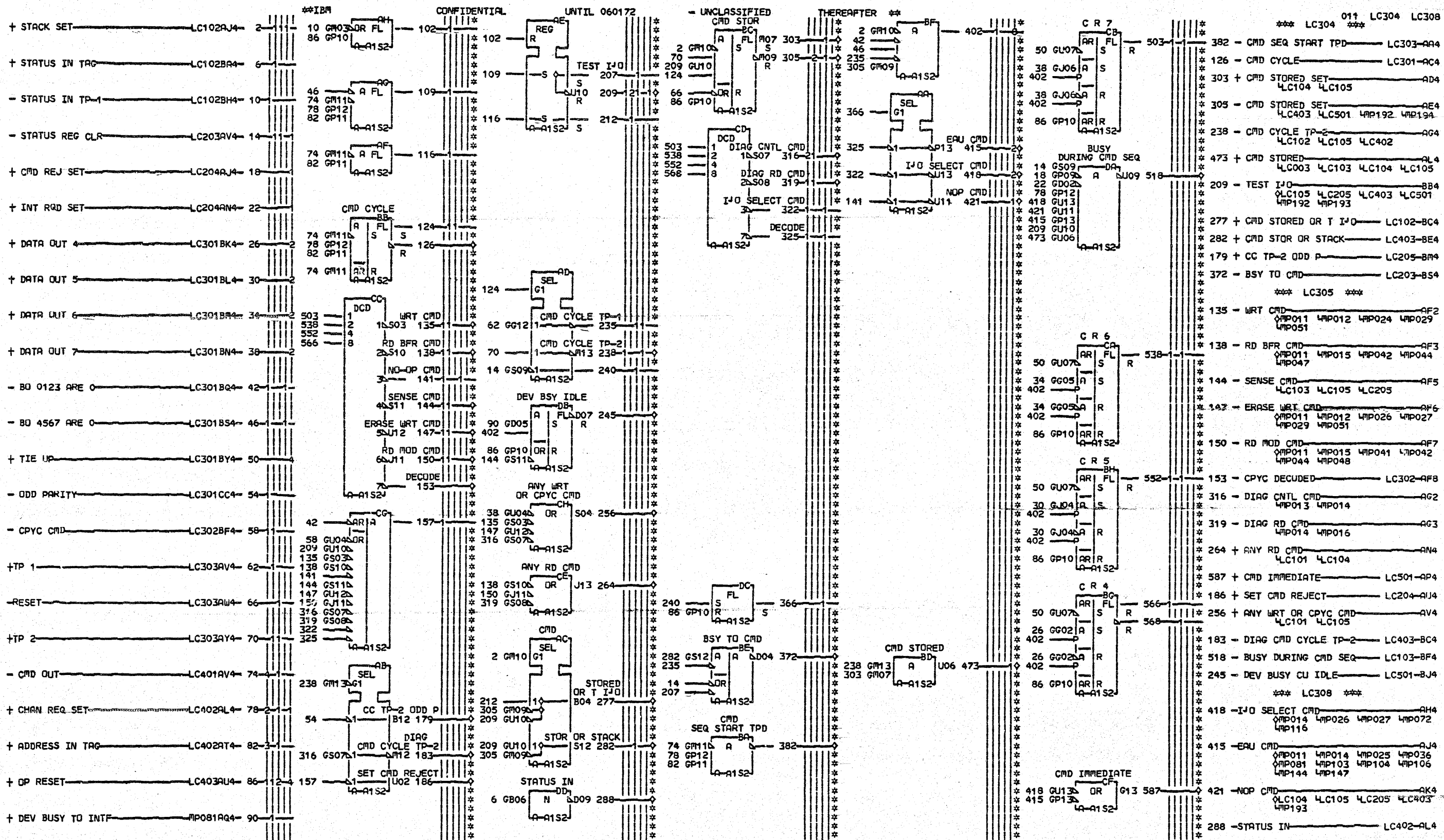
A. SIM TO PN 1564145 EC 747510
 B. NOTE 1 PLUG FOR 16 OR FEWER DEVICES.
 NOTE 2 PLUG FOR 17 OR MORE DEVICES.
 NOTE 3 PLUG TO GND FOR 16 OR FEWER DEVICES PLUG TO DATA OUT 3 FOR 17 OR MORE DEVICES.
 NOTE 4 PLUG TO CPYC DECODED FOR CPYC CMD. PLUG TO TIE UP

SIM TO PN 1564146 EC 717490

LOC. TYPE
 A-A1S2 9048

PAGE VER EC LEV
 LC301 011 747510
 LC302 011 741257
 LC303 000 718964

ANR LOCAL INTERFACE	
BUS OUT CMD REG TPD	
E.C. HISTORY	E1 MACH. 3272
718948	
718964	FRAME 01 LC301
741257	
743328	IBM CORP. KN LC303
DATE LAST EC	
05-03-78 747510	P.N. 1746678 011



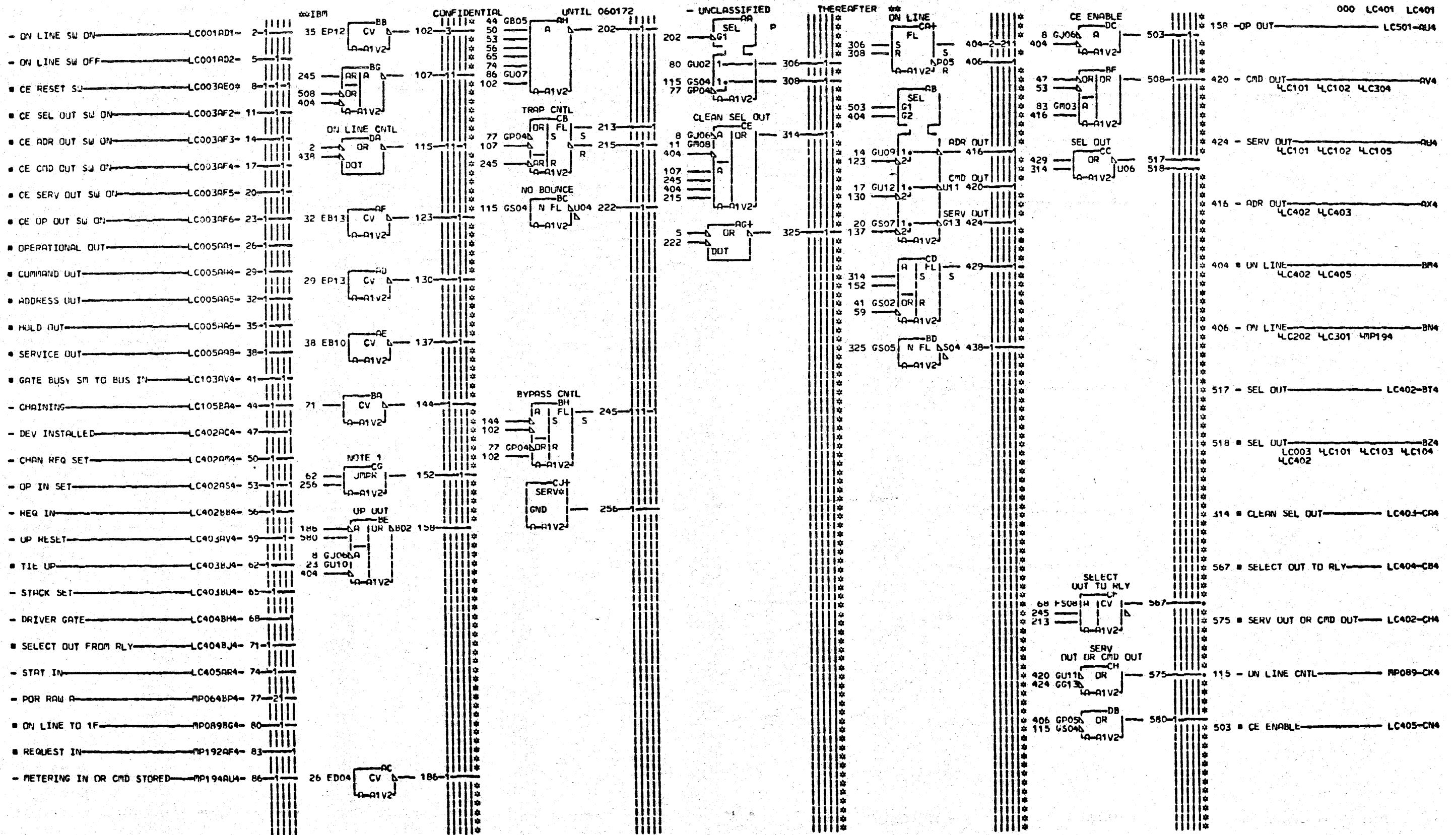
B-SIM TO PN 1564149 EC 741779
 C-SIM TO PN NON REL EC 747510

LOC# TYPE
 A-A1S2 9048

PAGE VER EC LEV
 LC304 000 741779
 LC305 011 744148
 LC308 011 747510

ANR LOCAL INTERFACE			
BUS OUT CMD REG TPD			
E.C. HISTORY E-MACH-3272			
717955	741257	FRAME 01	LC304
718948	741252		
718964	741779	IBM CORP-KN	LC308
740038	744148		
DATE LAST EC		P.N. 1746679 011	
05-03-78 747510			

LC304
 LC308
 011



NOTE 1 PLUG TO TIE UP FOR FORCED BURST OPERATION PLUG TO GND FOR SELECTOR OR BYTTE TPK OPERATION

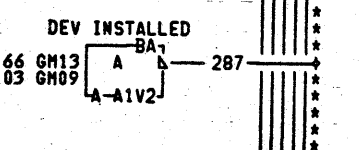
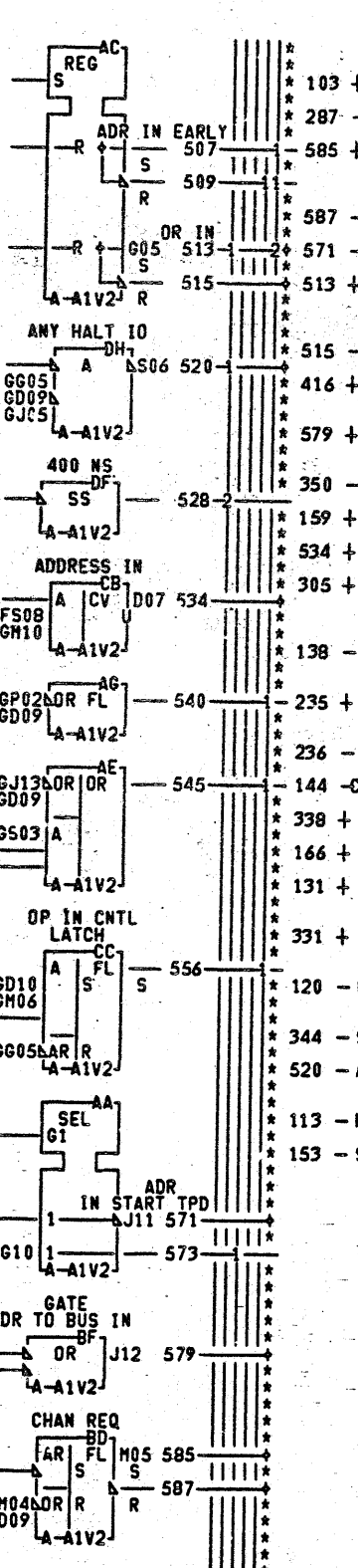
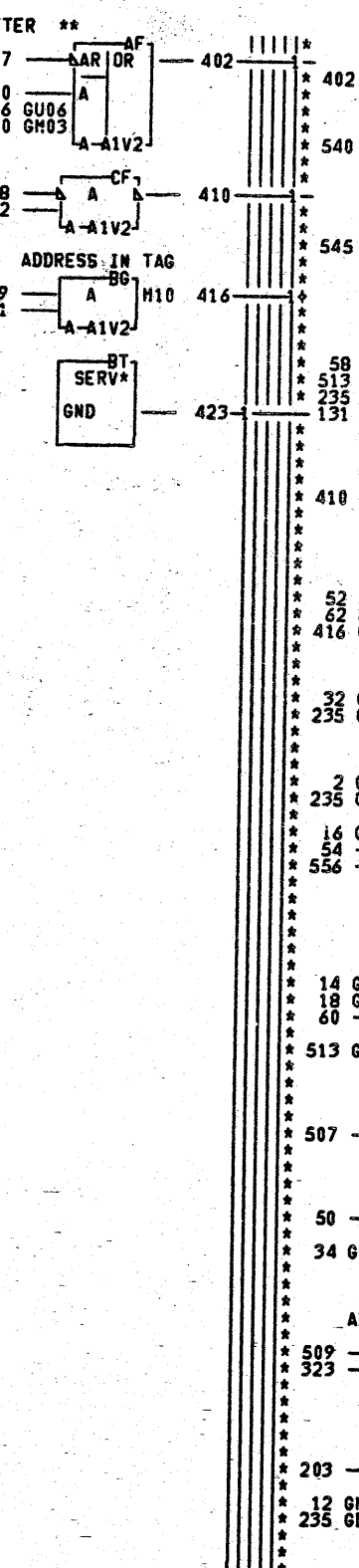
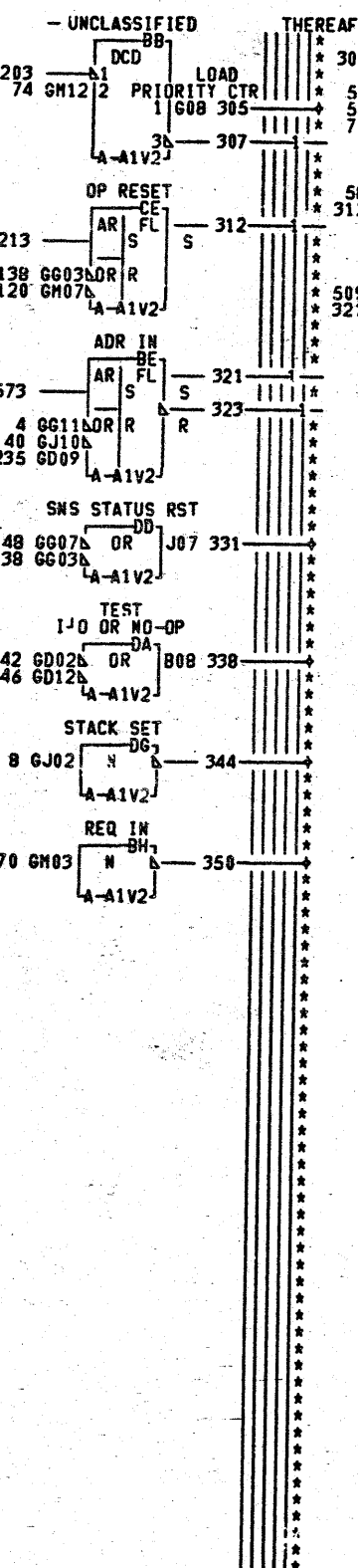
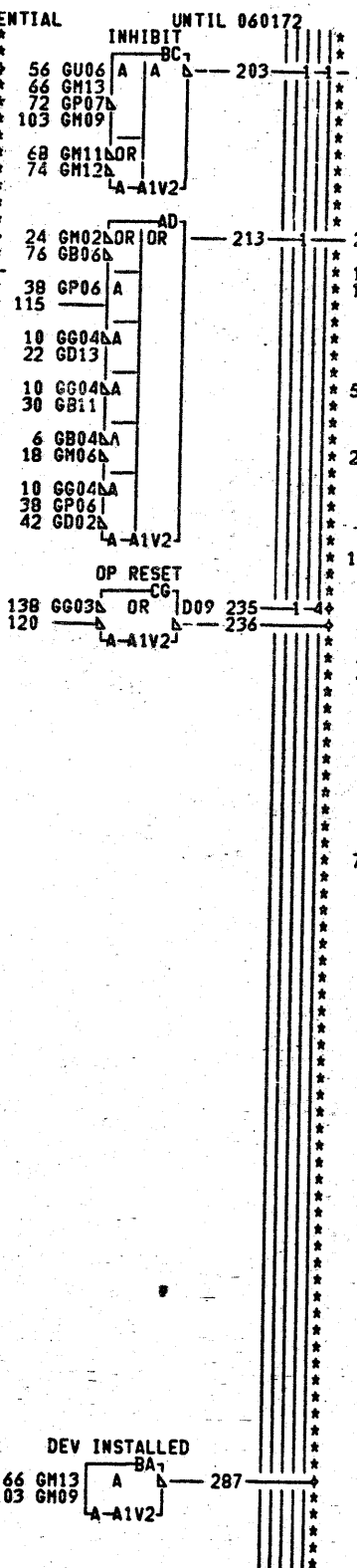
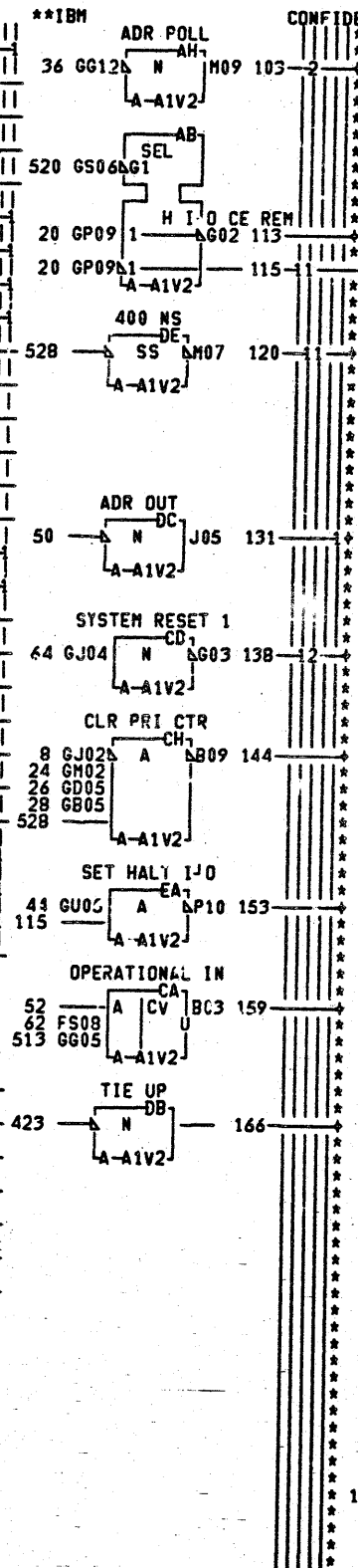
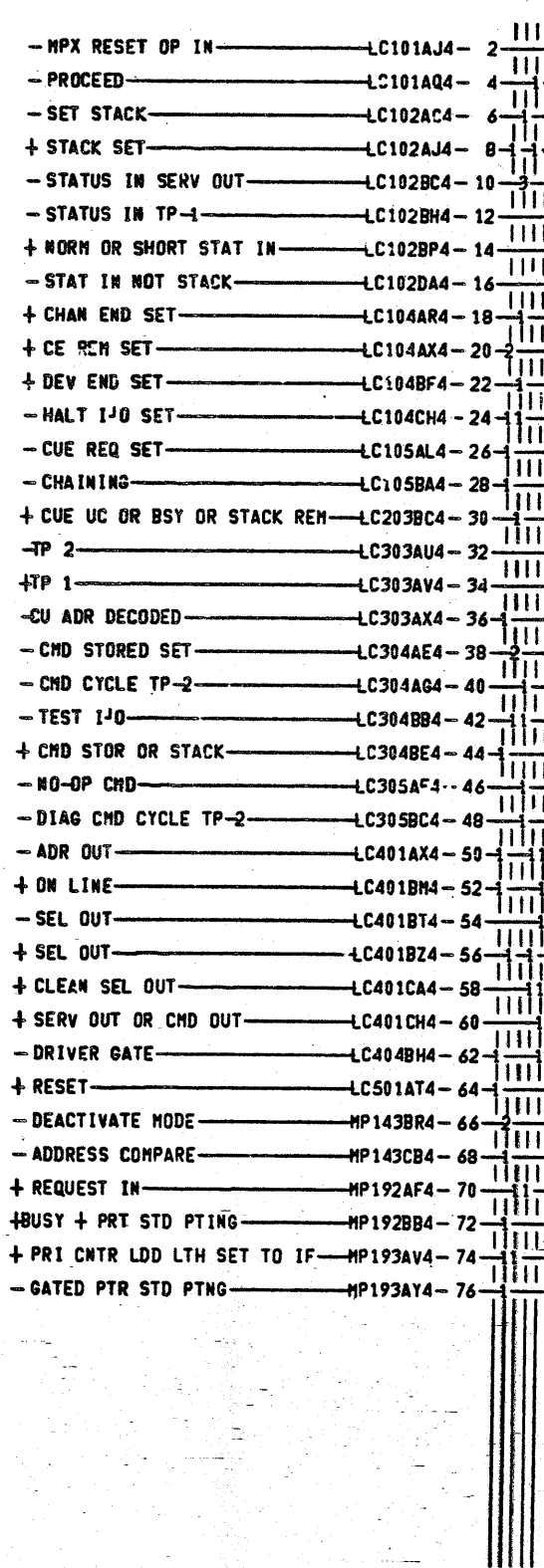
EDGE CONVO 8 RESISTOR A-A1V2J06

LOGO TYPE A-A1V2 9049

PAGE VER EC LEV LC401 000 718964

ANR LOCAL INTERFACE			
SELECTION SEL OUT RST CNTLS			
-ECO-HISTORY-C MACH03272			
717471	717950	FRAME	01 LC401
716956	717955		
717483	718948	IBM CORPOM	LC401
717490			
DATE	LAST EC	PAGE	1823854 000
02-15-73	718964		

LC401
LC401
000

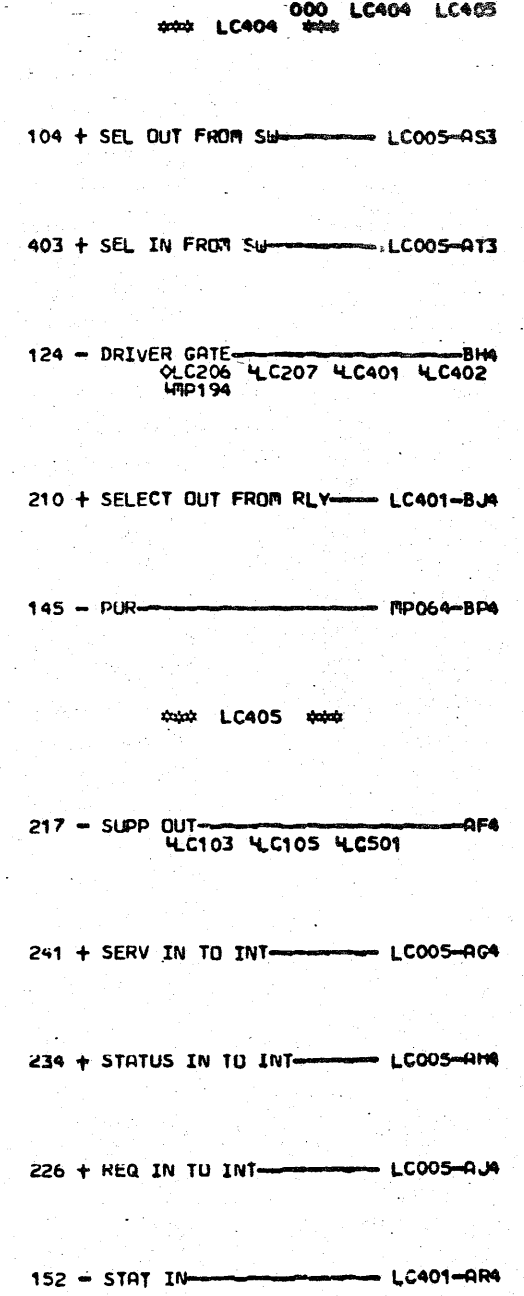
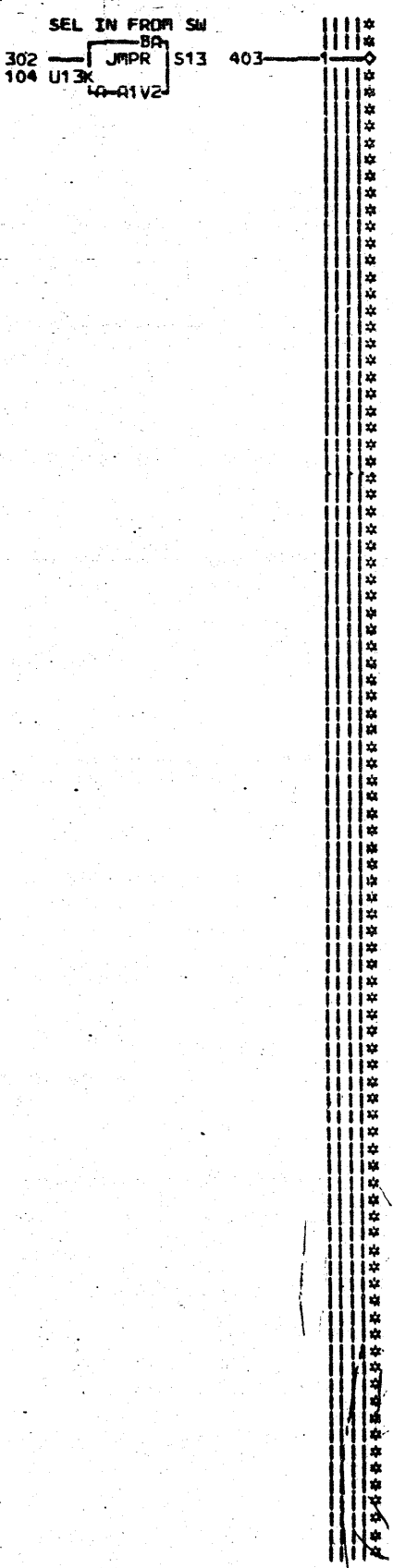
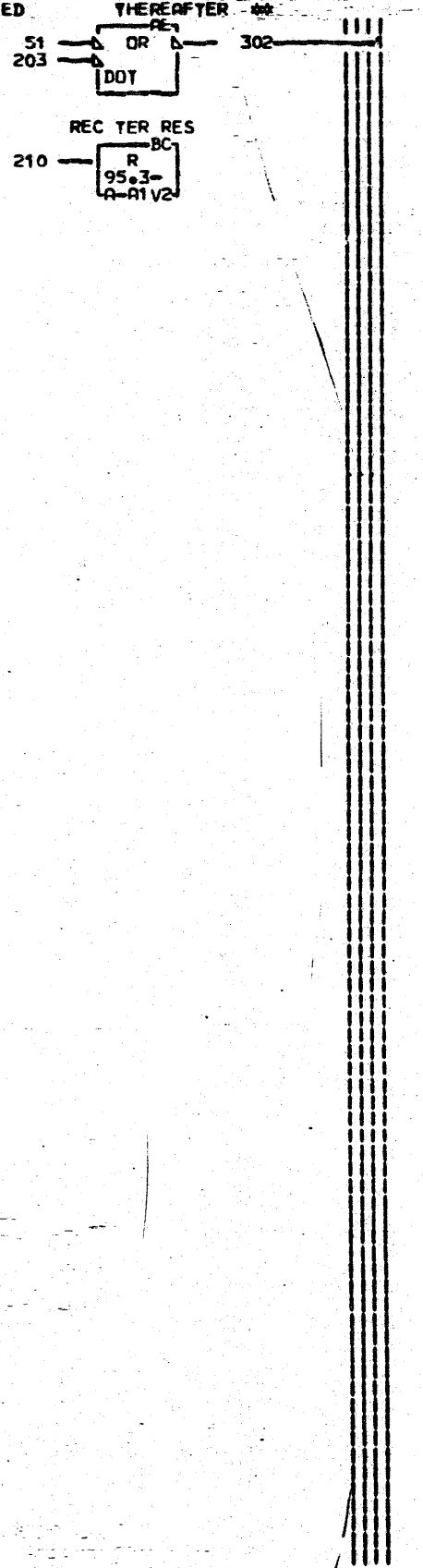
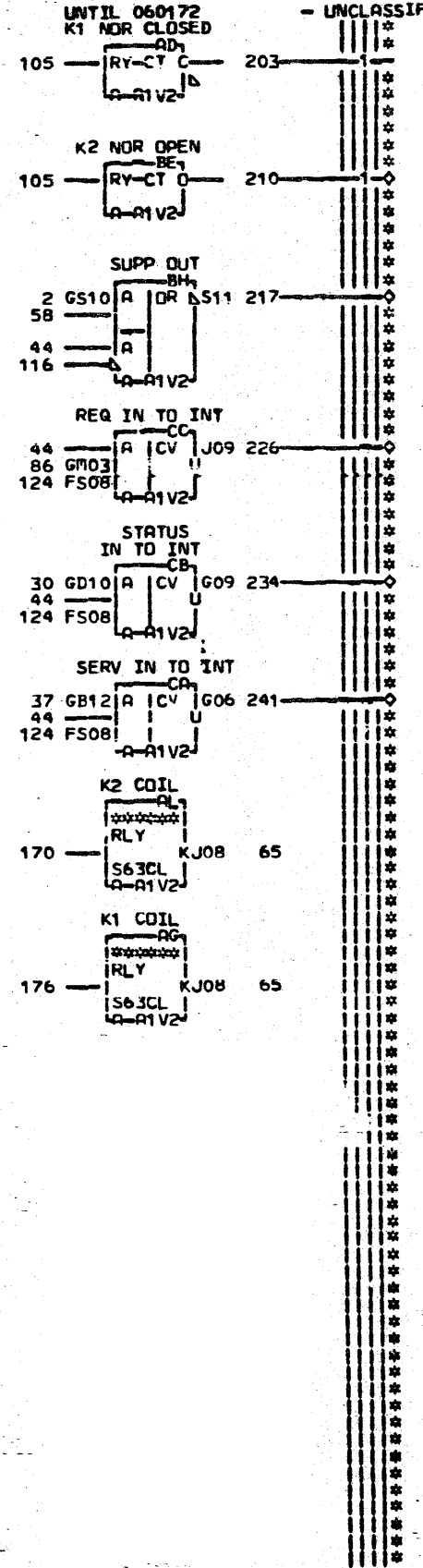
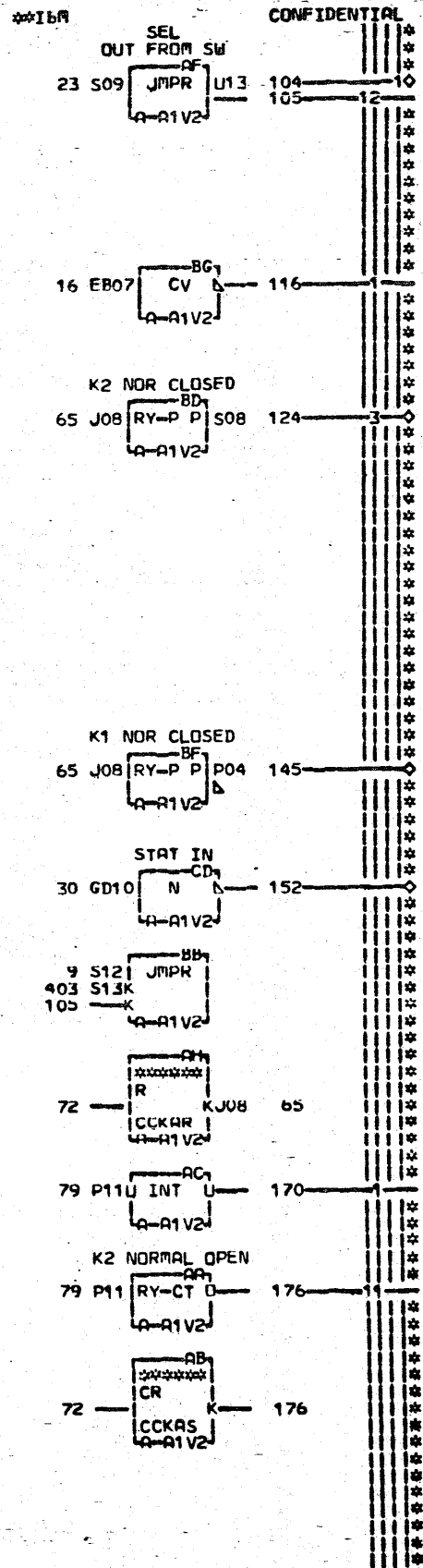
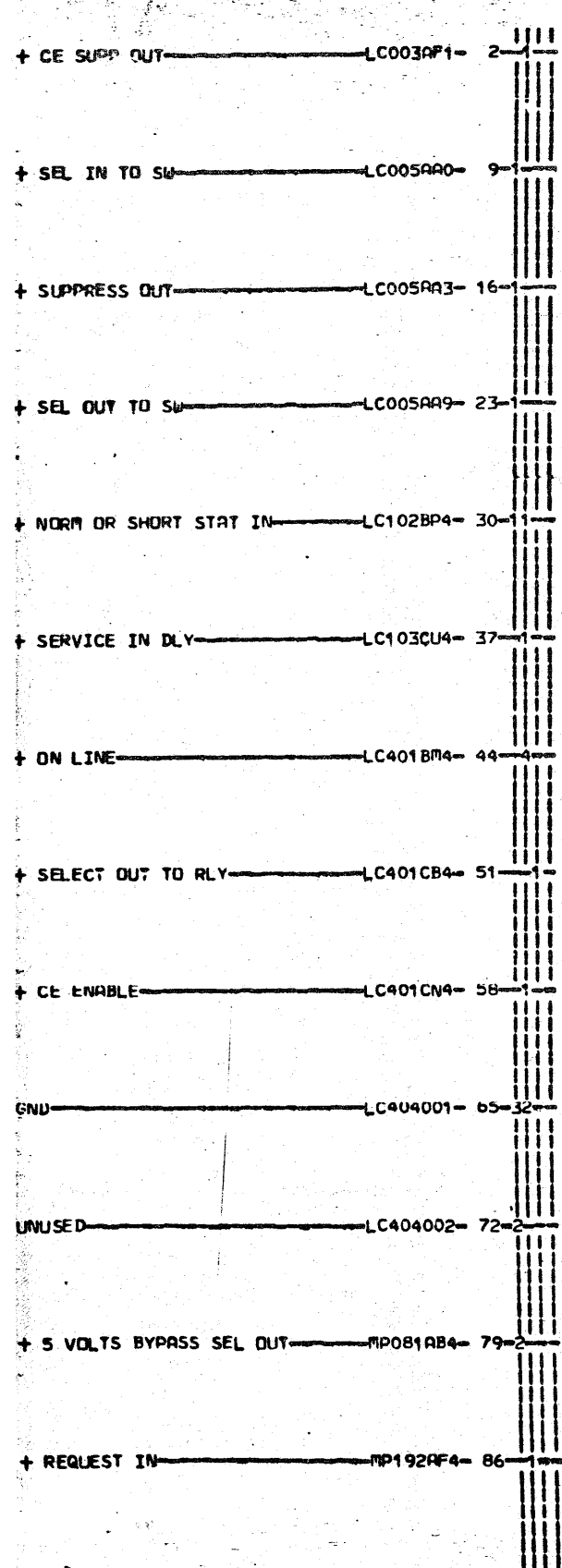


LOC. TYPE
A-1V2 9849

PAGE VER EC LEV
LC402 000 741252
LC403 000 740038

AMR LOCAL INTERFACE			
SELECTION	SEL	OUT	RST CNTL
717490	718948		
717950	718964	FRAME	01 LC402
717955	739542		
718550	740038	IBM CORP. KM	LC403
DATE	LAST EC		
05-07-75	741252	P.N. 1824171	000

LC402
LC403
000



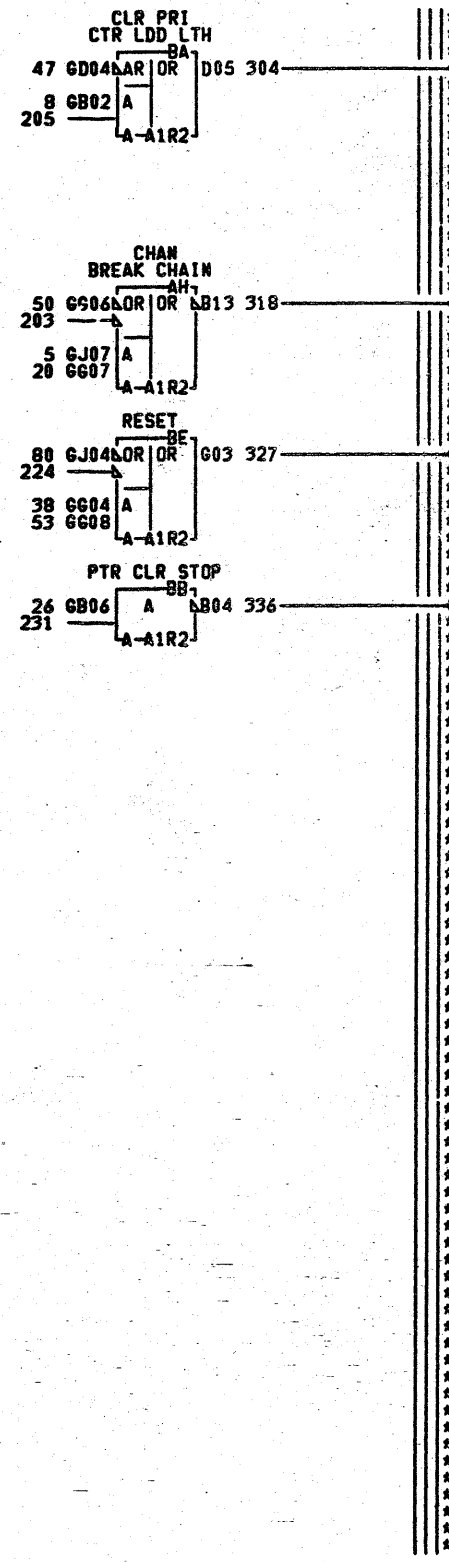
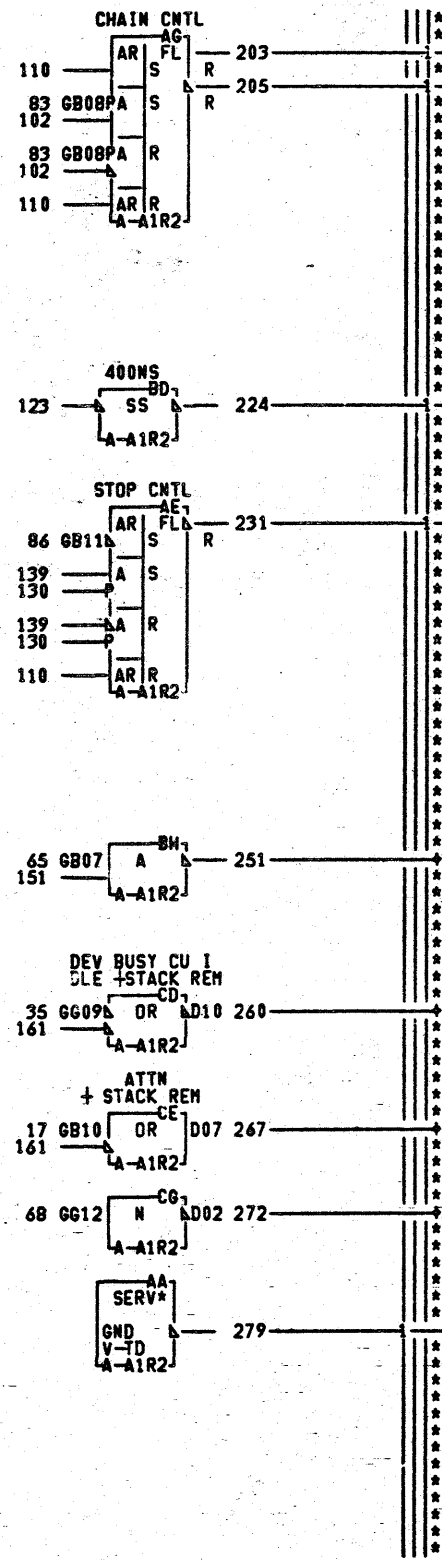
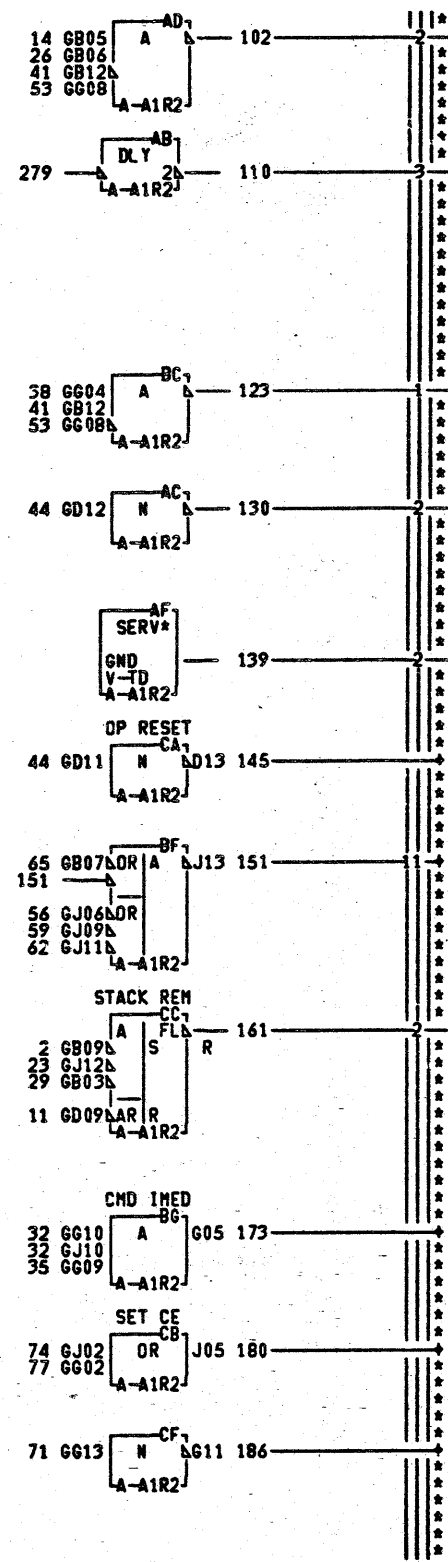
LC404
LC405
000

LOC. TYPE
A-A1V2 9049

PAGE VER EC LEV
LC404 000 717955
LC405 000 739548

ANR LOCAL INTERFACE			
SELECTION SEL OUT RST CNTL			
E.C. HISTORY C1 MACH. 3272			
717471	718948	FRAME 01	LC404
716956	718964		
717490			
717955		IBM CORP. KN	LC405
DATE	LAST EC	P.No. 1823013	000
03-27-74	739548		

- SET STACK LC102AC4- 2
 + GT STAT TO BUS IN LC102AQ4- 5
 - CUE REQ SET LC105AL4- 8
 - STATUS REG RESET LC105AU4- 11
 + CHAINING LC105AZ4- 14
 + ATTENTION SET LC203AF4- 17
 + UNIT EX SET LC203AT4- 20
 - STATUS REG CLR LC203AV4- 23
 - CMD STOPED SET LC304AE4- 26
 - TEST I/O LC304BB4- 29
 + CMD IMMEDIATE LC305AP4- 32
 - DEV BUSY CU IDLE LC305BJ4- 35
 - OP OUT LC401AU4- 38
 + OP IN SET LC402AR4- 41
 + OP RESET LC403AU4- 44
 - CLR PRI CTR LC403AM4- 47
 - ANY HALT IO LC403CA4- 50
 - SUPP OUT LC403AF4- 53
 SPARE 1A LC501001- 56
 SPARE 1B LC501002- 59
 SPARE 1C LC501003- 62
 SPARE 4A LC501004- 65
 SPARE LC501013- 68
 SPARE LC501014- 71
 + SET UNIT EXCEPTION MP024AX4- 74
 + GENERATE CHANNEL END MP025AM4- 77
 - POR RAW A MP064BP4- 80
 - 4.75 MHZ OSC TO LOGIC MP060CF4- 83
 - GATED PTR STD PTNG MP193AY4- 86



000 LC501 LC501
 318 -CHAN BREAK CHAIN LC105-AL4
 304 + CLR PRI CTR LDD LTH MP064-AM4
 336 - PTR CLR STOP LC104-AM4
 327 + RESET LC105 4LC205 4LC303 4LC403
 151 - SPARE OUT 3 B04
 173 +CMD IMED LC104-BC4
 251 SPARE OUT 4 B04
 145 -OP RESET MP077-BE4
 180 +SET CE LC104-BF4
 267 + ATTN + STACK REM LC103-BP4
 260 - DEV BUSY CU IDLE +STACK REM BQ4
 LC203
 186 SPARE OUT 3 BX4
 272 SPARE OUT 1 BY4

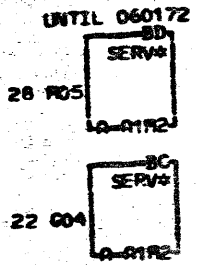
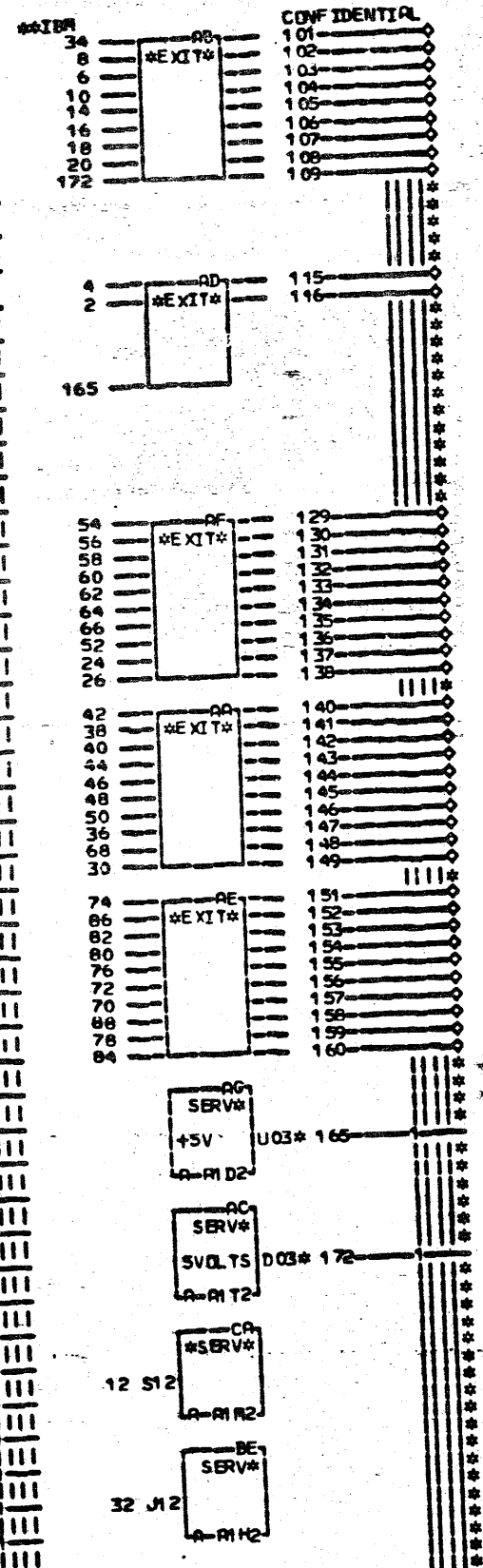
LOC. TYPE
A-A1R2 Y931

PAGE VER EC LEV
LC501 000 741252

LC501
LC501
000

CHAINING CNTL RESET			
-E.C.-HISTORY- A-MACH.3272			
718964	FRAME 01	LC501	
740038	IBM CORP.SDD	LC501	
DATE LAST EC	P.N. 1832937	000	
05-27-75	741252		

- + XFR DR OP FINISHED MP012QW4* 2
- + BAC DECODE 0 MP035BS4* 4
- + RD MODE MP042QZ2* 6
- + WRT MODE MP053QA4* 8
- + BFR ADR VALID LTH SET MP056AL2* 10
- DECODE ORDER NOT BC3 MP059CF4* 12
- + BYTE CNT 0 MP062RF2* 14
- + BYTE CNT 1 MP062RL2* 16
- + BYTE CNT 2 MP062RR2* 18
- + BYTE CNT 3 MP062RU2* 20
- BYTE CNT 0 MP062BL4* 22
- + FET CLOCK MP065BC4* 24
- + TIMEOUT LTH SET MP067AV4* 26
- 4.75 MHZ OSC TO LOGIC MP068CF4* 28
- + PRI CNTR LDD LTH SET MP101CC4* 30
- POLL TGR SET MP107AS2* 32
- + BFR VALID DR AFTER FETCH MP111AM4* 34
- + CHANGE SEQ LTH SET MP113AS4* 36
- + SEQ 3 LTH SET MP113AY2* 38
- + SEQ 4 LTH SET MP113CK4* 40
- + SEQ 2 LTH SET MP113CN4* 42
- + SEQ 5 LTH SET MP114BA2* 44
- + SEQ 6 LTH SET MP114BB2* 46
- + SEQ 7 LTH SET MP114BC2* 48
- + SEQ 8 LTH SET MP114BJ4* 50
- + SEND ZEROES TRIG SET MP116AL6* 52
- + BIT 1 TO INTF MP121BL4* 54
- + BIT 2 TO INTF MP121BN4* 56
- + BIT 3 TO INTF MP122RS4* 58
- + BIT 4 TO INTF MP122BE4* 60
- + BIT 5 TO INTF MP122BH4* 62
- + BIT 6 TO INTF MP123AS4* 64
- + BIT 7 TO INTF MP123AL4* 66
- + ID REG LDD SET MP125AF4* 68
- + S/R BIT 7 MP131AC2* 70
- + S/R BIT 6 MP131AJ2* 72
- + S/R BIT 1 MP131AK2* 74
- + S/R BIT 5 MP131AQ2* 76
- + S/R BIT CRSR MP131AY2* 78
- + S/R BIT 4 MP131AZ2* 80
- + S/R BIT 3 MP131BC2* 82
- + S/R BIT PARITY MP131BD2* 84
- + S/R BIT 2 MP131BE2* 86
- + S/R BIT CNTL POWERED MP131BC4* 88



UNCLASSIFIED THEREAFTER

BLANK COLUMN

- 453 + TIE DOWN MP013 MP015 MP021 MP077 MP086
- 149 + PRIORITY CTR LDD Q00
- 140 + SEQ 2 LTH SET Q01
- 141 + SEQ 3 LTH SET Q02
- 142 + SEQ 4 LTH SET Q03
- 143 + SEQ 5 LTH SET Q04
- 144 + SEQ 6 LTH SET Q05
- 145 + SEQ 7 LTH SET Q06
- 146 + SEQ 8 LTH SET Q07
- 147 + CHANGE SEQ LTH SET Q08
- 148 + I O REG LDD Q09
- 101 + BFR VALID DR AFTER FETCH Q01
- 102 + WRT MODE Q02
- 103 + READ MODE Q03
- 104 + BFR ADDRESS VALID Q04
- 105 + BYTE CNT 0 Q05
- 106 + BYTE CNT 1 Q06
- 107 + BYTE CNT 2 Q07
- 108 + BYTE CNT 3 Q08
- 109 + 5 VOLTS Q09
- 115 + BAC DECODE 0 Q01
- 116 + XFR DR OP FINISHED Q02
- 160 + S/R BIT PARITY Q00
- 151 + S/R BIT 1 Q01
- 152 + S/R BIT 2 Q02
- 153 + S/R BIT 3 Q03
- 154 + S/R BIT 4 Q04
- 155 + S/R BIT 5 Q05
- 156 + S/R BIT 6 Q06
- 157 + S/R BIT 7 Q07
- 158 + S/R BIT CNTL PWR Q08
- 159 + S/R BIT CRSR Q09
- 138 + TIMEOUT LTH SET Q00
- 129 + BIT 1 TO INTF Q01
- 130 + BIT 2 TO INTF Q02
- 131 + BIT 3 TO INTF Q03
- 132 + BIT 4 TO INTF Q04
- 133 + BIT 5 TO INTF Q05
- 134 + BIT 6 TO INTF Q06
- 135 + BIT 7 TO INTF Q07
- 136 + SEND ZEROES TGR Q08
- 137 + FET CLOCK Q09



EDGE CONN.	24 A-A1F6C04	48 A-A1B1A13	68 A-A1C1B11	88 A-A1E6A04
2 A-A1B1C11	26 A-A1F6E04	50 A-A1E1B13	70 A-A1E5D02	165 A-A1E6A02
4 A-A1B1E13	30 A-A1C1A13	52 A-A1F6E02	72 A-A1F6A04	172 A-A1A1E11
6 A-A1B1D11	34 A-A1C1C11	54 A-A1C6R02	74 A-A1D6E02	
8 A-A1B1D13	36 A-A1B1B11	56 A-A1F6C02	76 A-A1E6C02	
10 A-A1C1A11	38 A-A1A1D13	58 A-A1F6A04	78 A-A1D6E04	
14 A-A1C1D13	40 A-A1A1E13	60 A-A1F6D02	80 A-A1E6C04	
16 A-A1C1B13	42 A-A1B1A11	62 A-A1F6R02	82 A-A1E6B04	
18 A-A1C1D11	44 A-A1A1D11	64 A-A1E6E04	84 A-A1E6B02	
20 A-A1C1E11	46 A-A1C1E13	66 A-A1E6E02	86 A-A1E6B04	

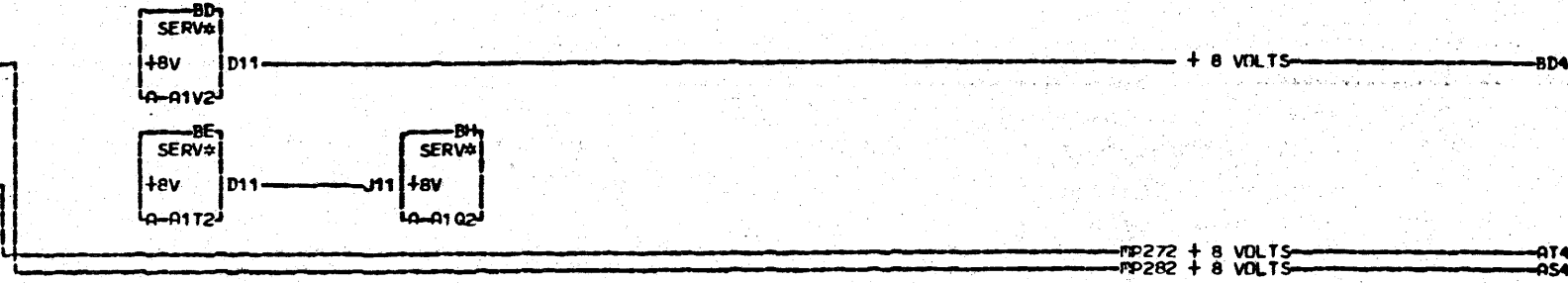
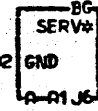
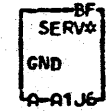
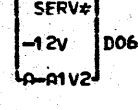
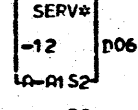
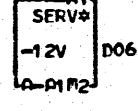
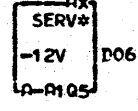
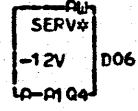
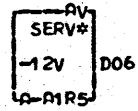
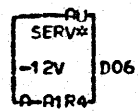
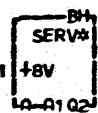
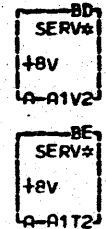
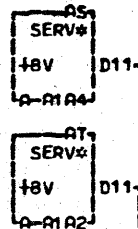
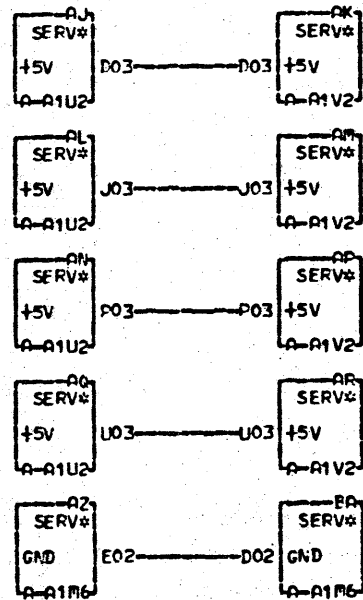
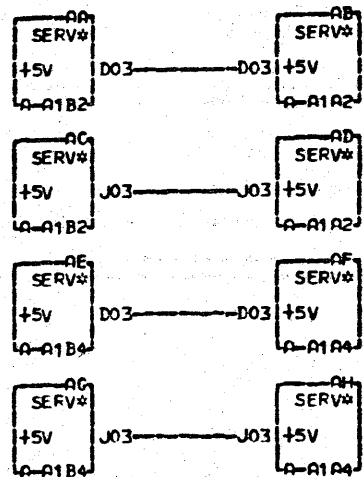
LOC. TYPE PAGE VER EC LEV
 FN103 000 739275
 FN110 000 717490

KATAKAWA COMPATIBILITY AND INDICATORS
 E.C. HISTORY C. WACH. 3272
 717471 717950
 716956 718964
 717483
 717490
 DATE LAST EC
 02-29-74 739275
 FRAME 01 FN103
 IBA CORP. FN110
 P.No. 1823014 000

IBR CONFIDENTIAL

UNTIL 060172 - UNCLASSIFIED THEREAFTER

000 PP001



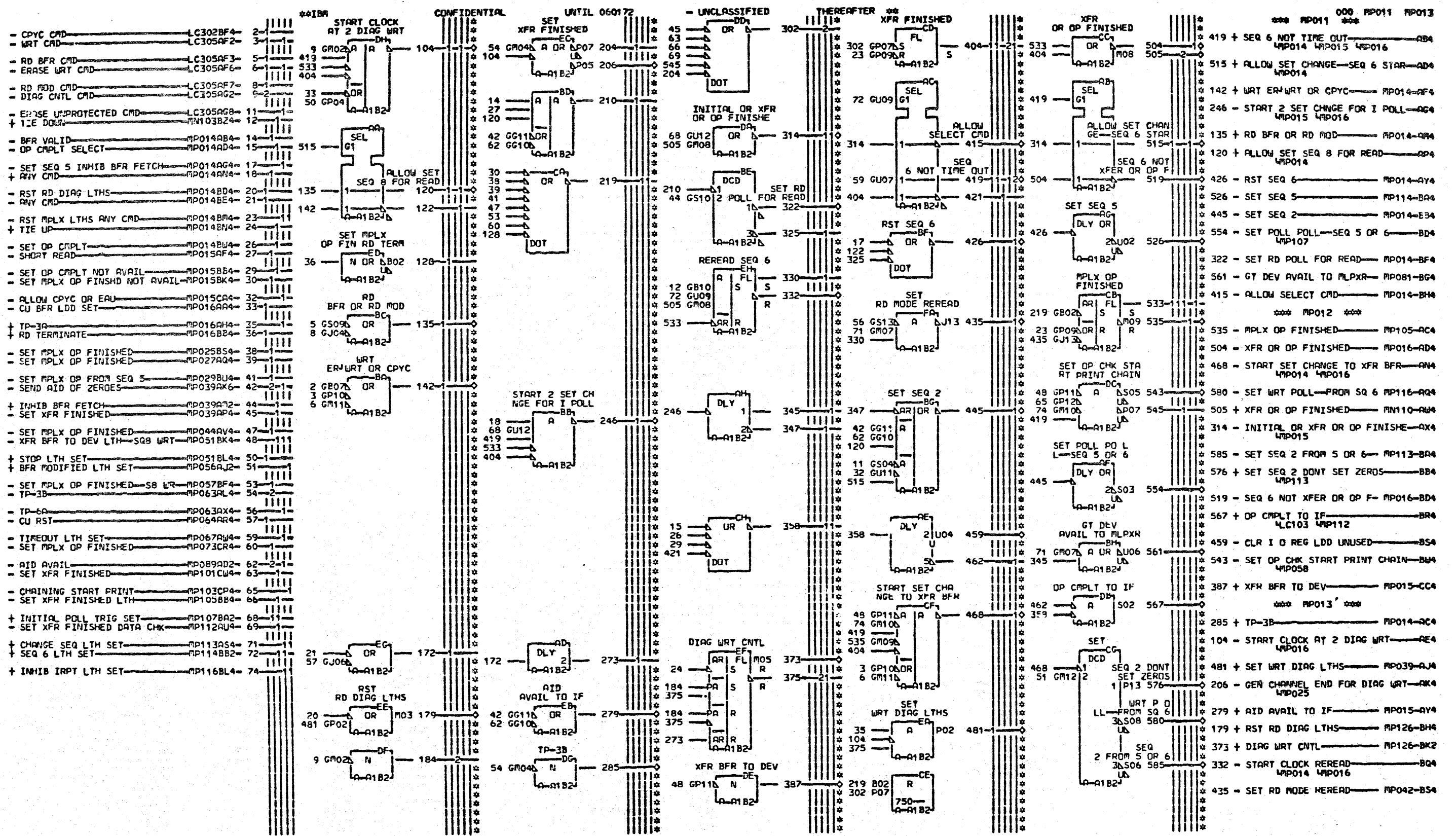
LOC. TYPE

SERVICE VOLT	
E-C-HISTORY	FRAME 01
717471	IBR CORP.
716956	P.N. 1823015
DATE LAST EC	
07-12-72 717955	

PP001

000

000-1

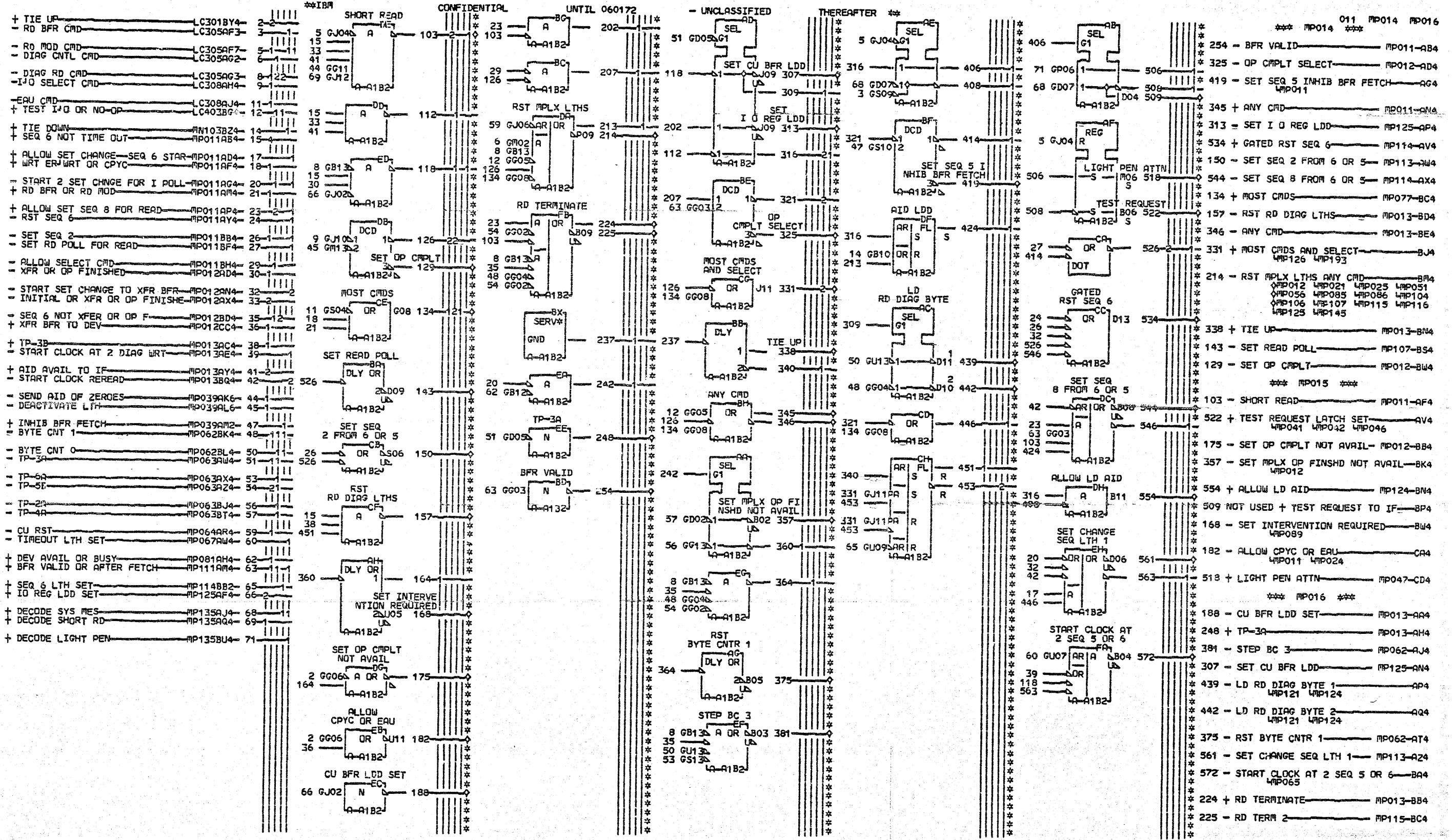


MP011
MP013
000

LOC. TYPE
A-A1B2 2216

PAGE VER EC LEV
MP011 000 717490
MP012 000 718941
MP013 000 717490

SEQ 6			
E.C.	HISTORY	B. MACH.	3272
717471		FRAME	01 MP011
717483		IBN	CORP. KN MP013
717490			
DATE	LAST EC	P.No.	1823016 000
11-02-72	718941		



A-SIM TO PN 1564162 EC 747510
 B-SIM TO PN 1564163 EC 717490

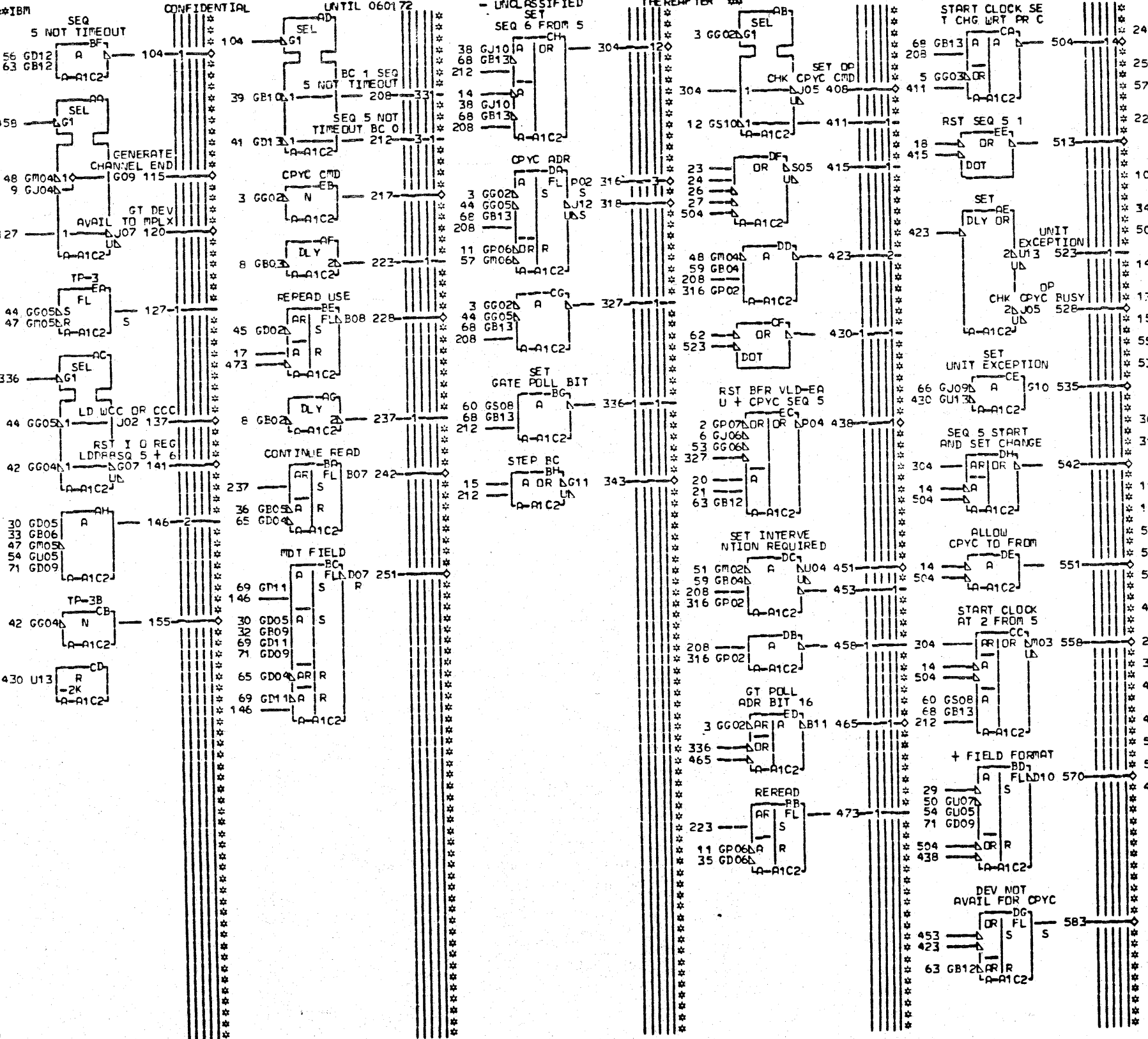
LCC. TYPE
 A-A1B2 2216

PAGE VER EC LEV
 MP014 011 747510
 MP015 011 744148
 MP016 000 717483

SEQ 6	
E.C.-HISTORY	E-MACH 3272
717471	744148
716956	FRAME 01-MP014
717483	IBM CORP-KN
741257	MP016
DATE LAST EC	
05-03-78 747510	P.No. 1746685 011

MP014
 MP016
 011

+ TIE UP LC301BY4 2-1-1
 - CPYC CMD LC302BF4 3-1-22
 - WRT CMD LC305AF2 5-1-1
 - ERASE UNPROTECTED CMD LC305AG9 6-1-1
 + TIE DOWN FJ103BZ4 8-2-1
 - GEN CHANNEL END FOR DIAG WRT MP013AK4 9-1-1
 - RST MPLX LTHS ANY CMD MP014BM4 11-1-1
 - ALLOW CPYC DR EAU MP015CA4 12-1-1
 + ERASE BFR IN SEQ 5 MP026A14 14-1-3
 - TP-6A MP026CK4 15-1-1
 + TP-6B MP027AB4 17-1-1
 - GATED RST SEQ 5 MP027AS4 18-1-1
 + BYTE CNT 0 MP027BK4 20-1-1
 - ERASE WRT MP029AB4 21-1-1
 + RST SEQ 5 FROM POLL PDL MP029AL4 23-1-1
 - SET SEQ 7 FROM 5 MP029AP4 24-1-1
 - RST SEQ 5 FROM RD POLL MP029AY4 26-1-1
 - SET MPLX OP FROM 5 MP029AZ4 27-1-1
 - BFR VALID DR AFTER FETCH MP029BV4 29-1-1
 + BFR ADR COMPARE-BAC AND ASR MP035BA4 30-1-1
 + SET MDT FIRST BYTE MP042AQ4 32-1-1
 - RD MODE MP042AZ2 33-1-1
 - FIRST BYTE LTH SET MP042BD4 35-1-1
 - LD INPUT REG MP047AB4 36-1-1
 + STOP LTH SET MP051BL4 38-2-1
 - BYTE CNT 1 MP062BK4 39-1-1
 - TP-3B MP063AL4 42-2-1
 - TP-2A MP063AR4 44-2-2
 - TP-6A MP063AX4 45-1-1
 - TP-4B MP063AY4 47-2-1
 - TP-5B MP063AZ4 48-1-1
 - TP-2A MP063BJ4 50-1-1
 - TP-4A MP063BT4 51-1-1
 - CU RST MP064AR4 53-1-1
 + MEM CYCLE LTH SET MP065AW4 54-1-1
 - TIMEOUT LTH SET MP067AW4 56-1-1
 - RST CCC CPYC LTHS MP072AU4 57-1-1
 + DEV AVAIL DR BUSY MP081AH4 59-2-1
 - CPYC ERASE LTH SET MP087AR2 60-1-1
 - SET UNIT EXCPT MP101CP4 62-1-1
 + SEQ 5 LTH SET MP114BA2 63-1-1
 + SEQ 8 LTH SET MP114BJ4 65-2-1
 + INHIB IRPT LTH SET MP116BL4 66-1-1
 + ID REG LDD SFT MP125AF4 68-5-2
 + S/R BIT 7 MP131AC2 69-3-1
 + S/R BIT CNTL POWERED MP131BC4 71-1-1



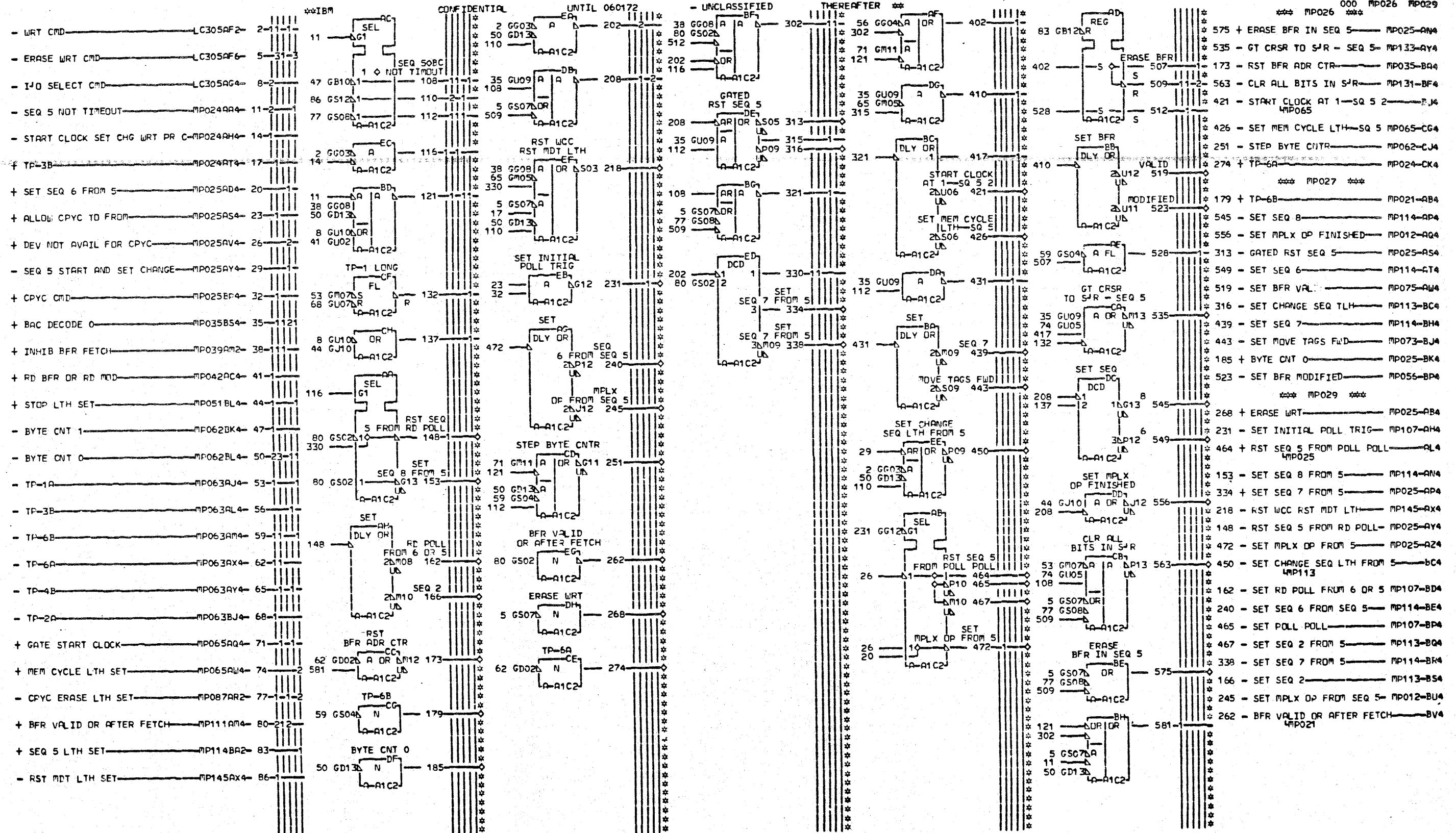
000 MP021 MP025
 *** MP021 ***
 242 - CONTINUE RD LTH SET MP042
 LMP042 LMP047 LMP048
 251 - MDT FIELD LTH SET MP044-AQ4
 570 - FIELD FORMATTED AR2
 LMP044 LMP073
 228 + REREAD USE LTH SET AS2
 LMP043 LMP045
 *** MP024 ***
 104 - SEQ 5 NOT TIMEOUT AA4
 LMP026 LMP027 LMP029
 343 - STEP BC MP062-AG4
 504 - START CLOCK SET CHG WRT PR C-AH4
 LMP029
 141 - RST I O REG LDD8ASQ 5 + 6-AK4
 LMP125
 137 + LD WCC DR CCC MP145-AL4
 155 + TP-3B MP029-AT4
 558 - START CLOCK AT 2 FROM 5 MP065-AV4
 535 + SET UNIT EXCEPTION AX4
 LMC203 LMC501
 *** MP025 ***
 304 + SET SEQ 6 FROM 5 MP029-AD4
 316 + CPYC ADR LTH SET AG4
 LMP036 LMP081 LMP085 LMP087
 LMP090 LMP101 LMP116 LMP142
 115 + GENERATE CHANNEL END LC501-AMA
 120 - GT DEV AVAIL TO MPLX MP081-AN4
 551 + ALLOW CPYC TO FROM MP029-AS4
 583 + DEV NOT AVAIL FOR CPYC MP029-AV4
 542 - SEQ 5 START AND SET CHANGE AY4
 LMP029
 451 - SET INTERVENTION REQUIRED BN4
 LMP089
 217 + CPYC CMD MP029-BP4
 318 - SET MPLX OP FINISHED MP012-BS4
 438 - RST BFR VLD-EAU + CPYC SEQ 5-BU4
 LMP056 LMP111
 465 - GT POLL ADR BIT 16 MP124-BY4
 513 - RST SEQ 5 1 MP114-GE4
 528 - SET OP CHK CPYC BUSY MP058-GG4
 408 - SET OP CHK CPYC CMD MP058-GH4

LOC. TYPE
A-A1C2 9128

PAGE VER EC LEV
MP021 000 739279
MP024 000 718964
MP025 000 718964

SEQ 5 + READ LATCHES			
E.C.	HISTORY	C. MACH.	3272
717471	718547	FRAME	01 MP021
716956	718948	IBN CORP.	SDD MP025
717483	718964	DATE	LAST EC
717490		P.No.	1823020 000
11-18-73	739279		

MP021
MP025
000



LOC. TYPE
A-1C2 9125

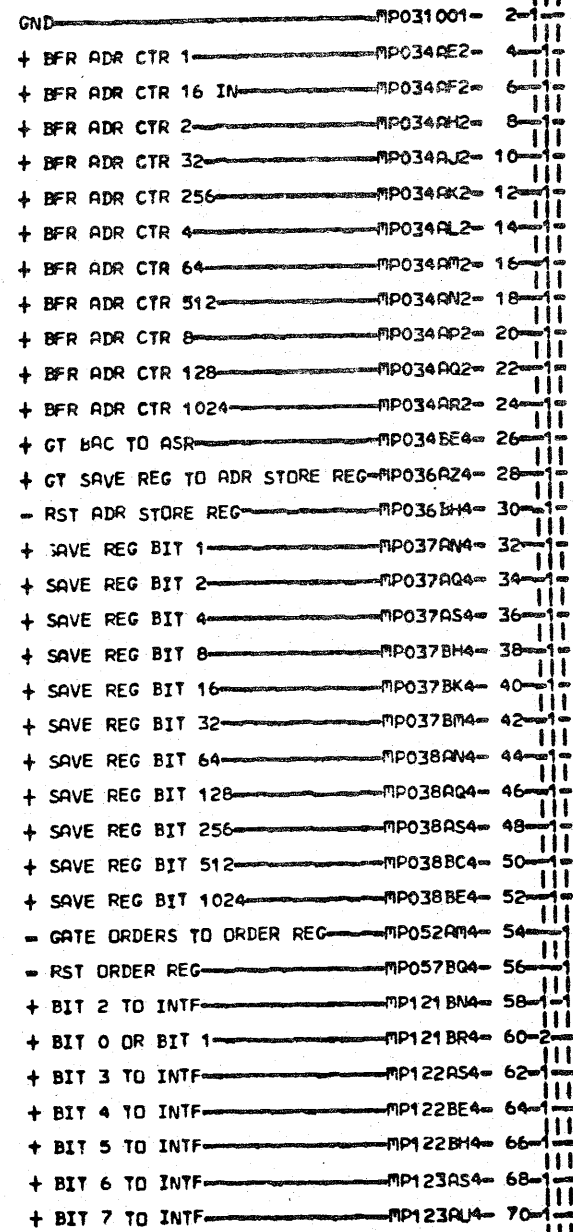
PAGE VER EC LEV
MP026 000 718547
MP027 000 717490
MP029 000 718547

SEQ 5 ERASE BUFFER			
E-C-HISTORY		B-MACH-3272	
717471	716956	FRAME 01	MP026
717490		IBM CORP. SEC	MP029
DATE LAST EC	09-22-72 718547	Pa. No. 1823021	000

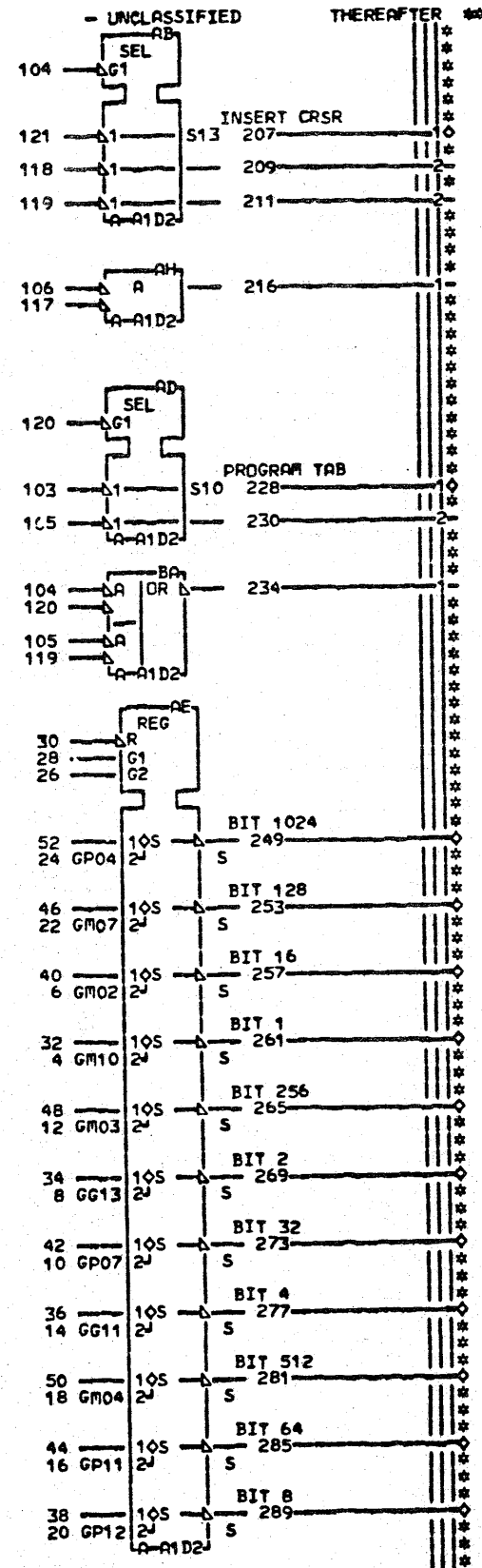
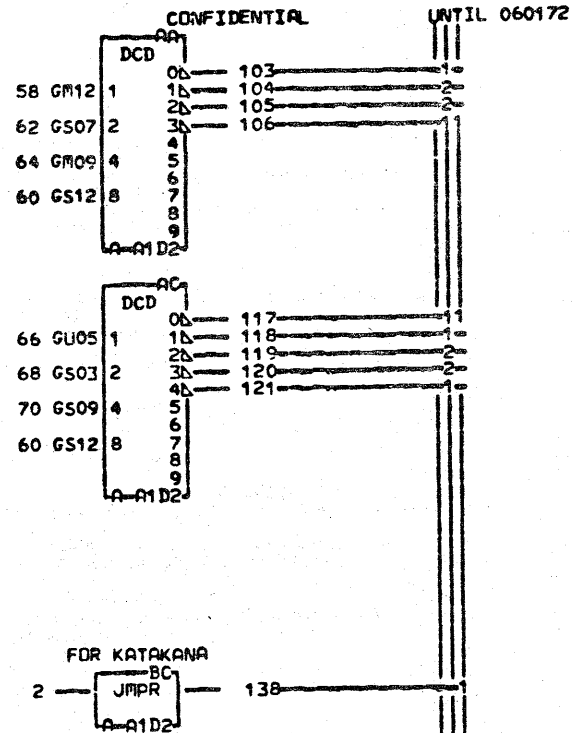
MP026

MP029

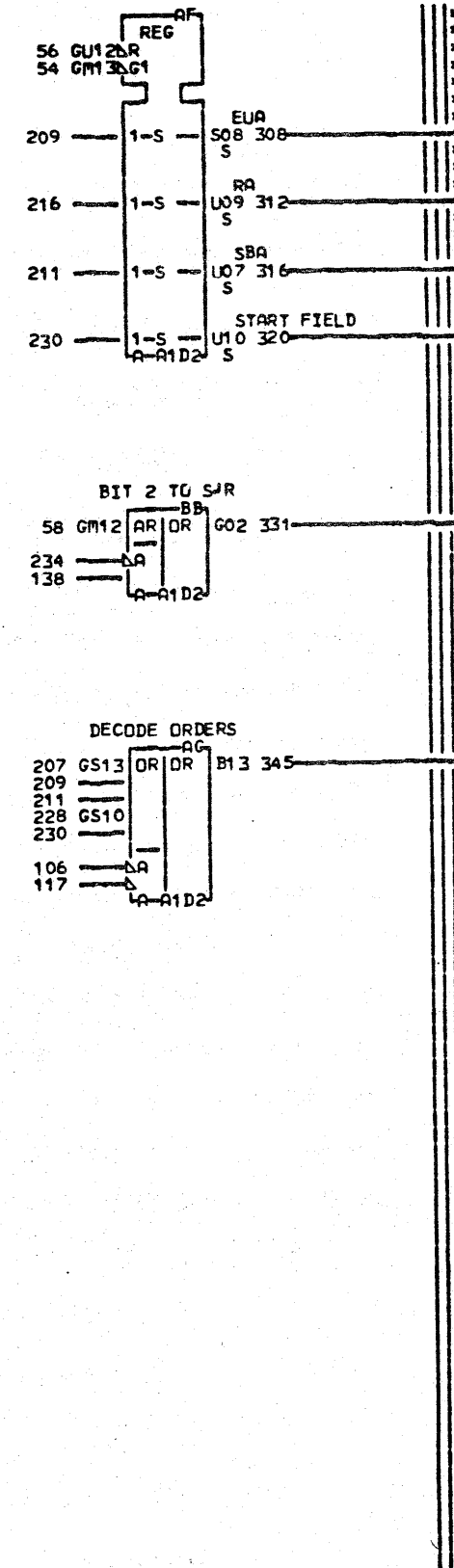
000



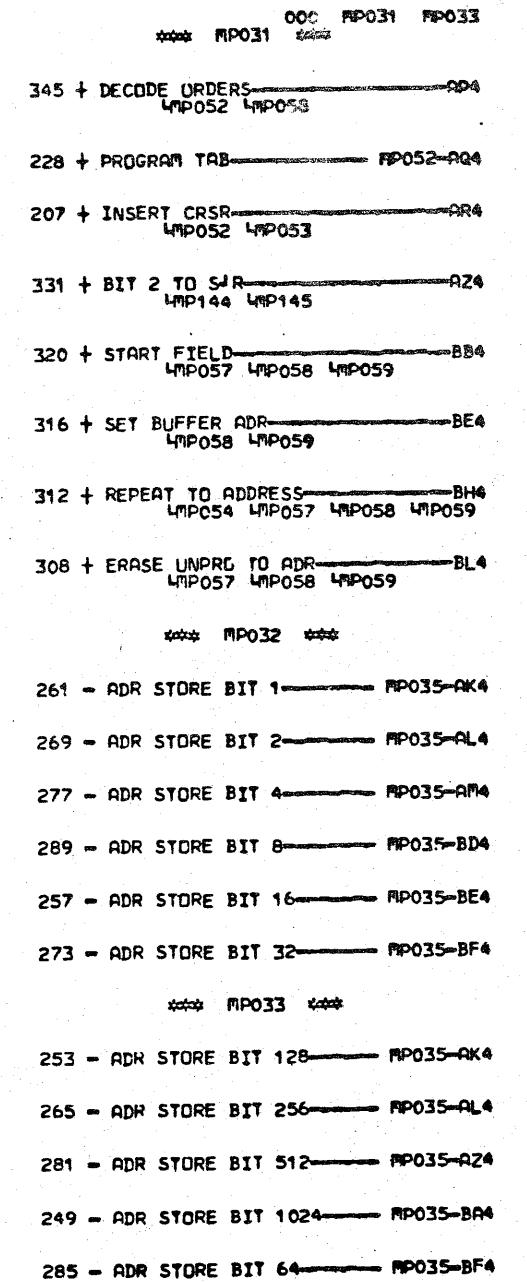
IBM



LDC TYPE
A-A1D2 9034

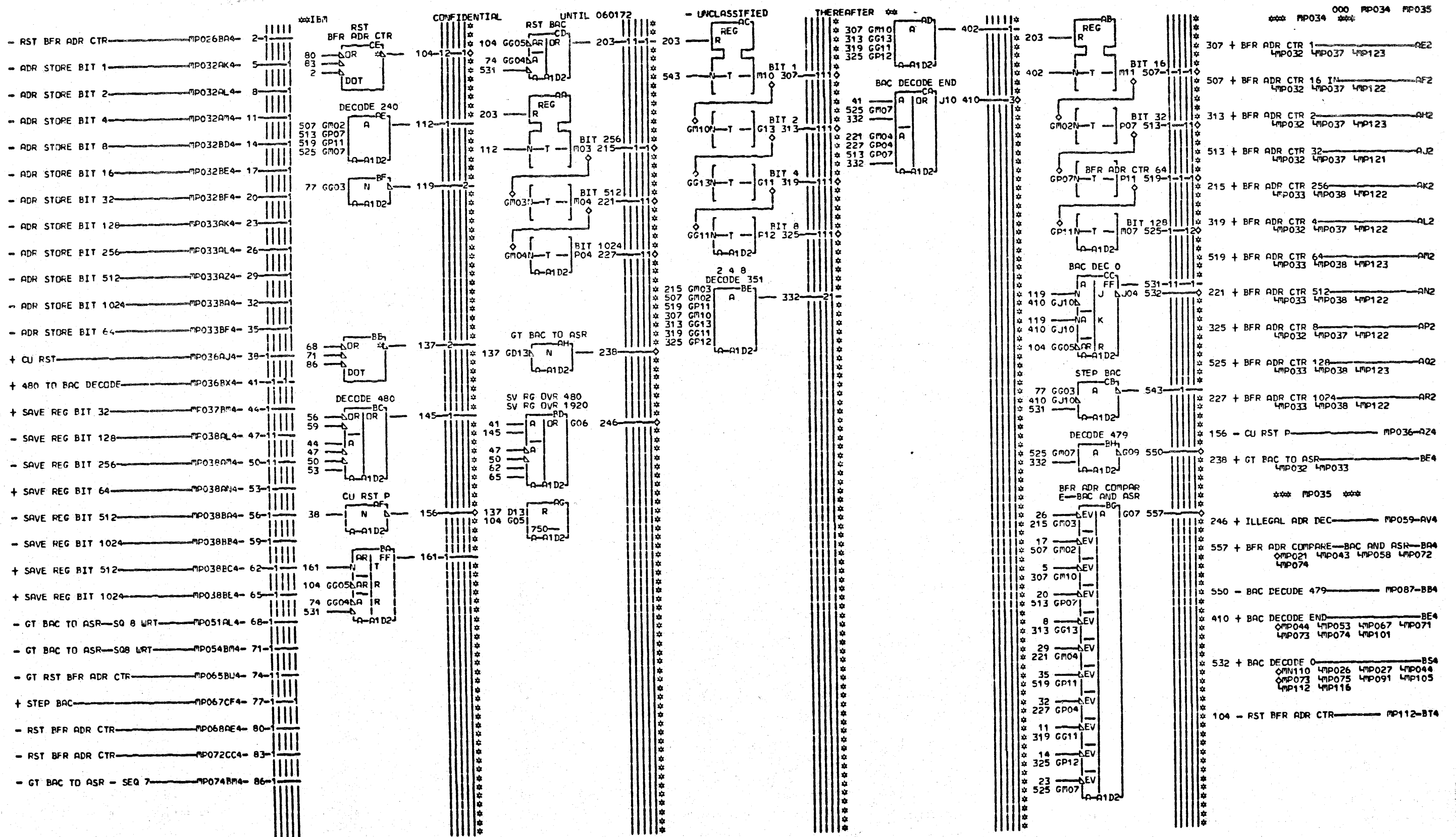


PAGE VER EC LEV
MP031 000 717483
MP032 000 717471
MP033 000 717471



DECODE ORDERS + ADDRESS
 STORE REGISTER
 E.C. HISTORY — MACH. 3272
 717471
 716956
 DATE LAST EC 03-16-72 717483
 FRAME 01
 IBM CORP. KN
 PoNo 1823022 000

MP031
MP033
000



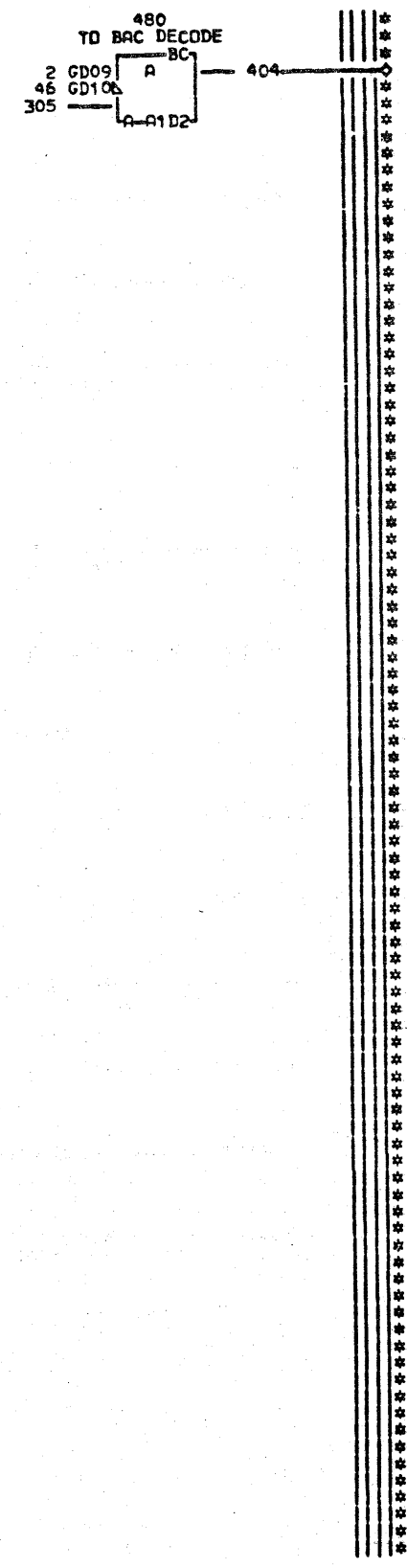
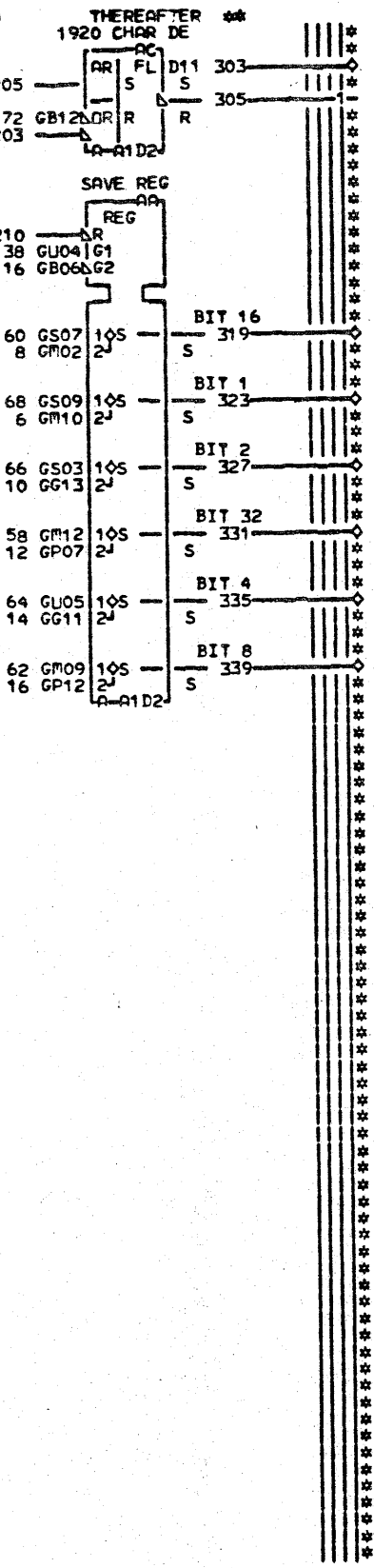
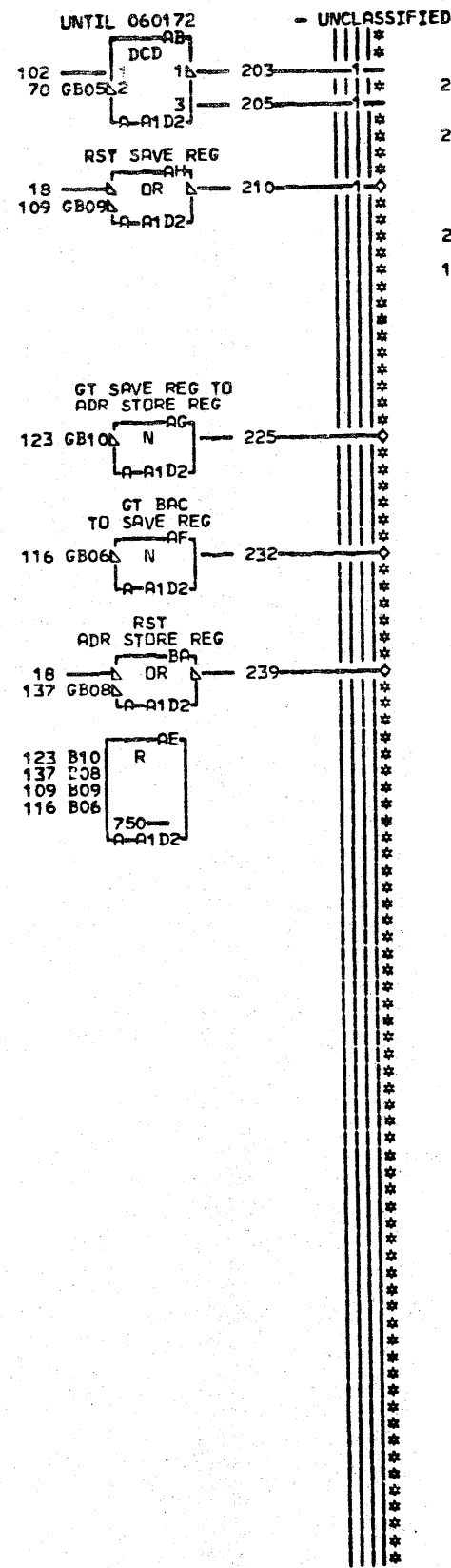
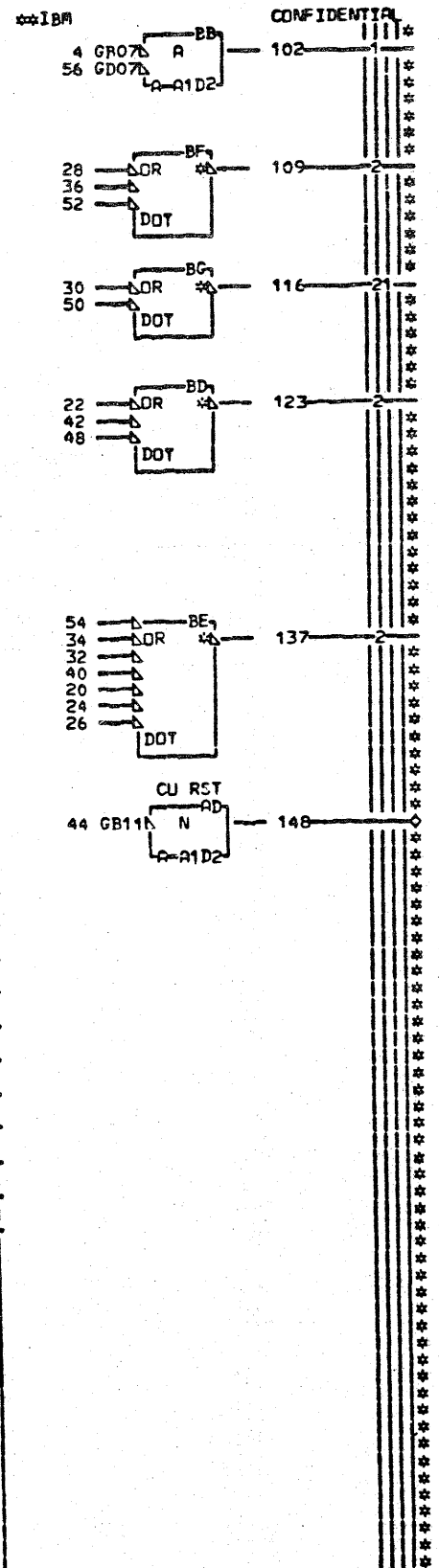
LOC. TYPE
A-A1D2 9034

PAGE VER EC LEV
MP034 000 717471
MP035 000 718547

BUFFER ADDRESS COUNTER + COMPARE		
E.C.-HISTORY	B-MACH-3272	
717471	FRAME 01	MP034
716956	IBM CORP-KN	MP035
DATE LAST EC	P.No 1823023	000
05-22-72 718547		

MP034
MP035
000

- ERASE UNPROTECTED CMD - LC305AGB- 2
 + CPYC ADR LTH SET - MP025AG4- 4
 + BFR ADR CTR 1 - MP034AE2- 6
 + BFR ADR CTR 16 IN - MP034AF2- 8
 + BFR ADR CTR 2 - MP034AH2- 10
 + BFR ADR CTR 32 - MP034AJ2- 12
 + BFR ADR CTR 4 - MP034AL2- 14
 + BFR ADR CTR 8 - MP034AP2- 16
 - CU RST P - MP034AZ4- 18
 - RST ADR STORE REG FOR READ - MP042HT4- 20
 - LD ADR STORE REG FROM SAVE - MP045AE4- 22
 - RST ADR STORE REG - MP045AH4- 24
 - RST ADR STORE REG - MP045BG4- 26
 - CLR SAVE REG - MP047AH4- 28
 - LD SAVE REG FROM BAC - MP047AL4- 30
 - CLR ADR STORE REG - SQ 8 WRT - MP051AK4- 32
 - CLR ADR STORE REG - SQB WRT - MP054BL4- 34
 - CLR SAVE REG - SQ 8 WRT - MP059AS4- 36
 + GT BYTE 2 TO ADR SAVE REG - MP059AV4- 38
 - CLR ADR STORE REG 1 - MP059AZ4- 40
 - GT SAVE REG TO ADR STORE REG - MP059BA4- 42
 - CU RST - MP064AR4- 44
 + LONG TIMEOUT LTH SET - MP067AF4- 46
 - GT SAVE REG TO ADR STORE REG - MP074AT4- 48
 - GT RAC TO SAVE REG - SQ 7 - MP074BP4- 50
 - CLR SAVE REG - SQ 7 - MP074BQ4- 52
 - CLR ADR STORE REG - SQ 7 - MP074BR4- 54
 - SET FORMAT VALID - MP090AQ4- 56
 + BIT 2 TO INTF - MP121BN4- 58
 + BIT 3 TO INTF - MP122AS4- 60
 + BIT 4 TO INTF - MP122BE4- 62
 + BIT 5 TO INTF - MP122BH4- 64
 + BIT 6 TO INTF - MP123AS4- 66
 + BIT 7 TO INTF - MP123AU4- 68
 - GTD DATA TC SR FROM DEVISE - MP134AJ4- 70
 - STEP PRI CTR - MP143AT4- 72



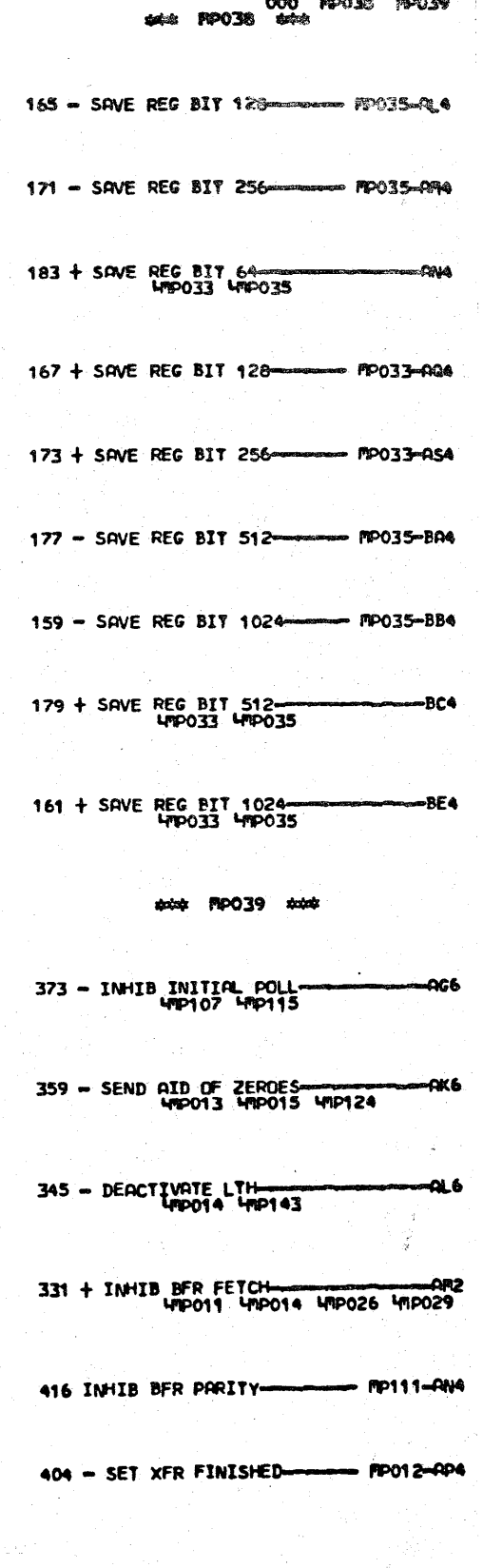
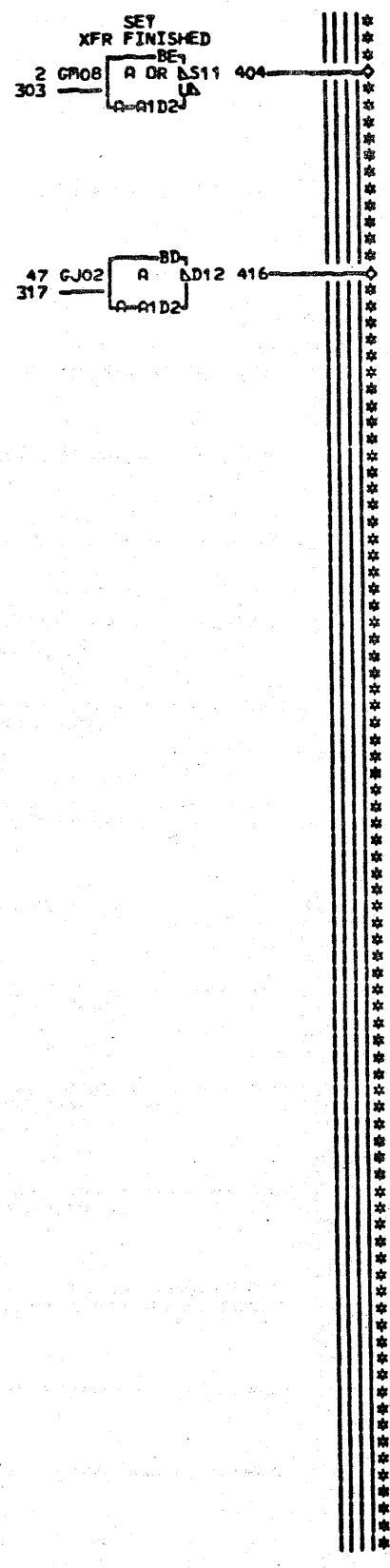
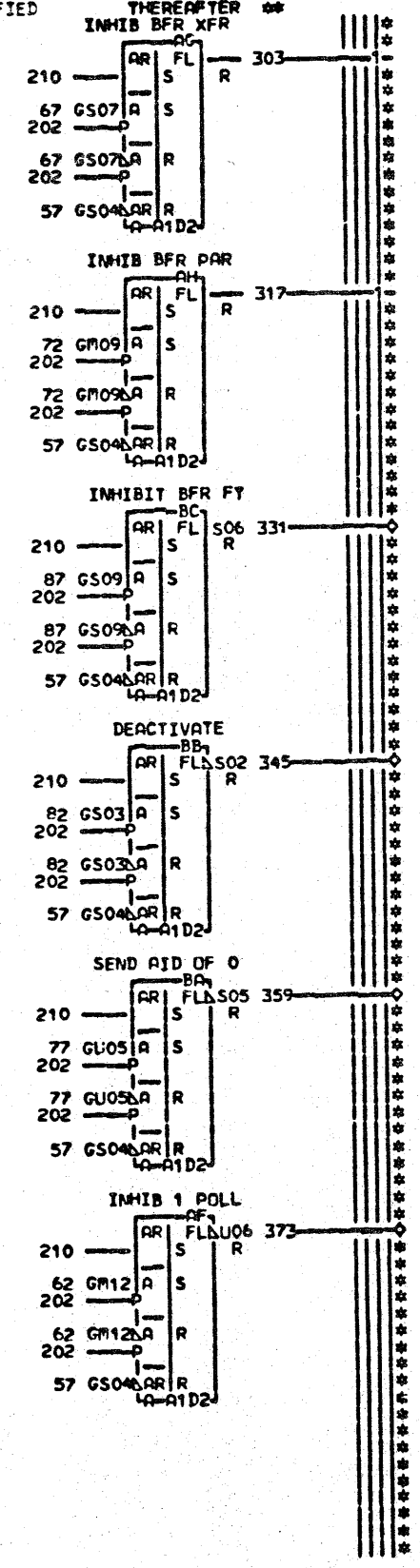
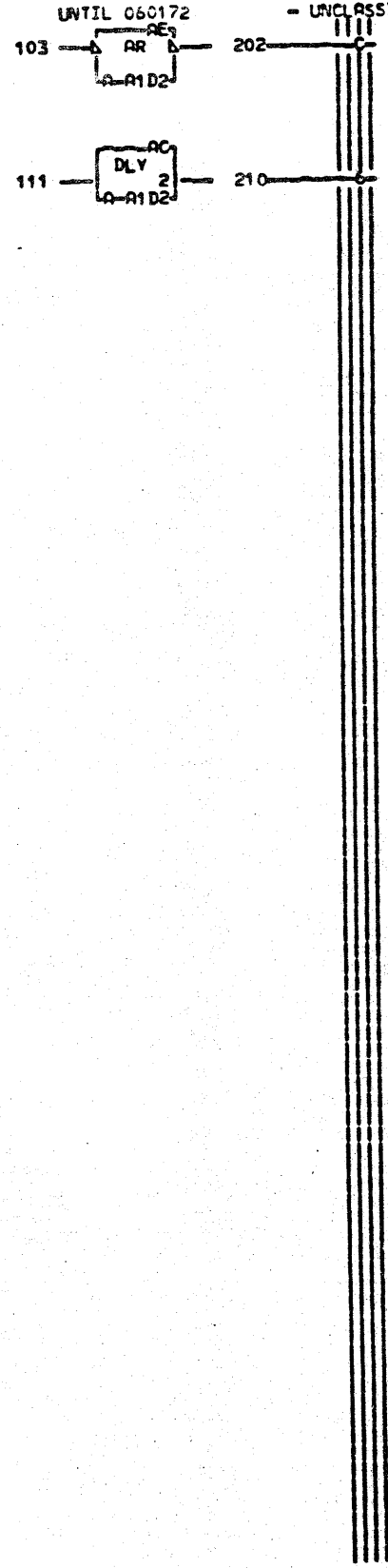
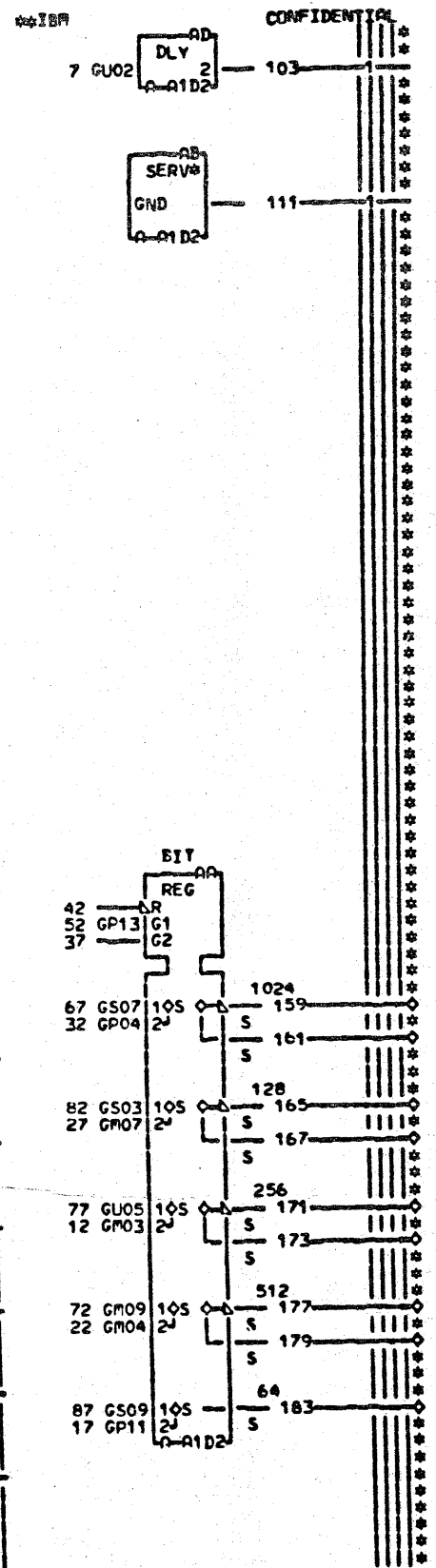
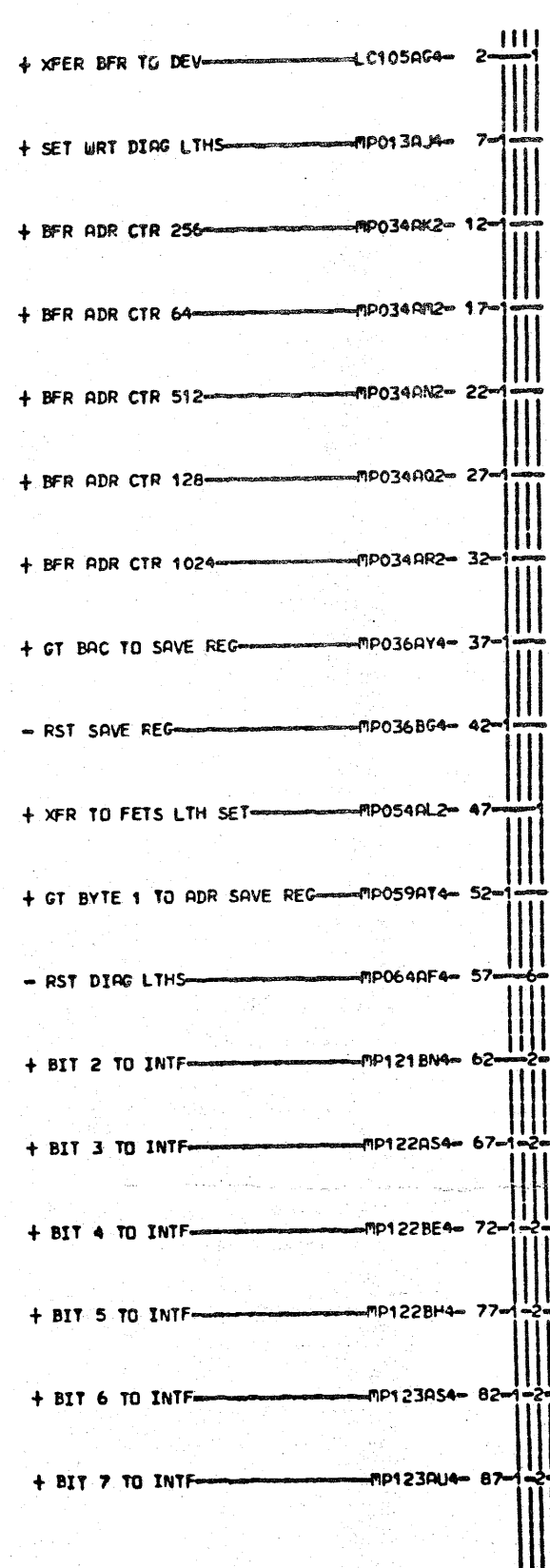
000 MP036 MP037
 303 + 1920 CHAR DEVICE - MP090 MP136
 148 + CU RST - MP034-AJ4
 232 + GT BAC TO SAVE REG - MP038-AY4
 225 + GT SAVE REG TO ADR STORE REG - A24
 MP032 MP033
 210 - RST SAVE REG - MP038-BG4
 239 - RST ADR STORE REG - BHA
 MP032 MP033
 404 + 480 TO BAC DECODE - MP035-BX4
 MP037
 323 + SAVE REG BIT 1 - MP032-AM4
 327 + SAVE REG BIT 2 - MP032-AQ4
 335 + SAVE REG BIT 4 - MP032-AS4
 339 + SAVE REG BIT 8 - MP032-BH4
 319 + SAVE REG BIT 16 - MP032-BK4
 331 + SAVE REG BIT 32 - BHA
 MP032 MP035

MP036
MP037
000

LDC TYPE
A-A1D2 9034

PAGE VER EC LEV
MP036 000 717490
MP037 000 717471

FORMAT AND FORMAT VALID LTHS	
SAVE REGISTER	MACH-3272
717471	FRAME 01 MP036
716956	IBM CORP-KN MP037
DATE LAST EC	P.No. 1823024 000
05-10-72 717490	

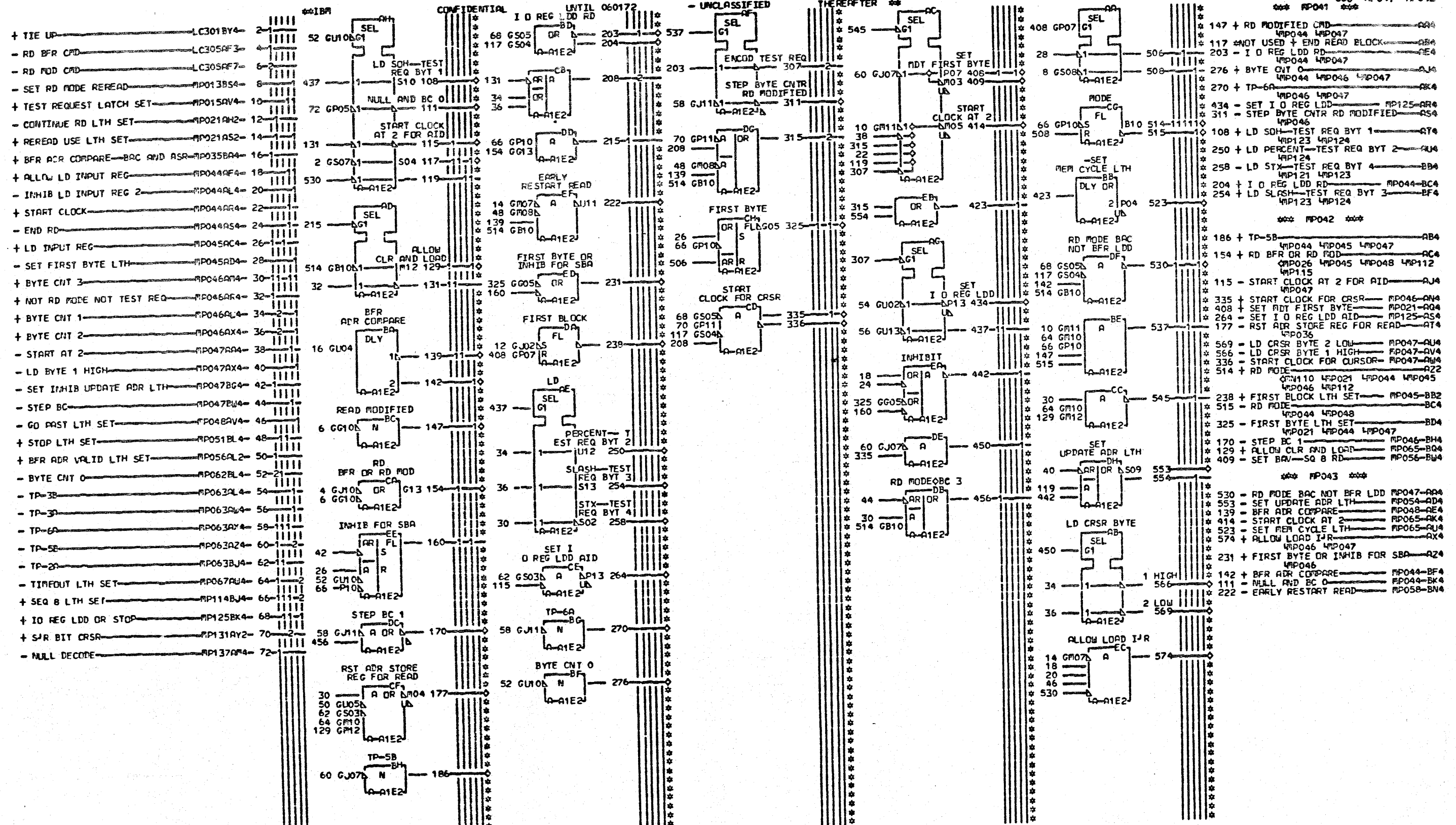


LOC. TYPE
A-A1D2 9034

PAGE VER EC LEV
MP038 000 717471
MP039 000 717490

MP038
MP039
000

SAVE REGISTER		FRAME	01	MP038
WRITE DIAGNOSTIC LATCHES		IBR CORP. #	KN	MP039
E.C. HISTORY - P. RACH. 3272		P. No.	1823025	000
717471	DATE	LAST EC	06-06-72	717490



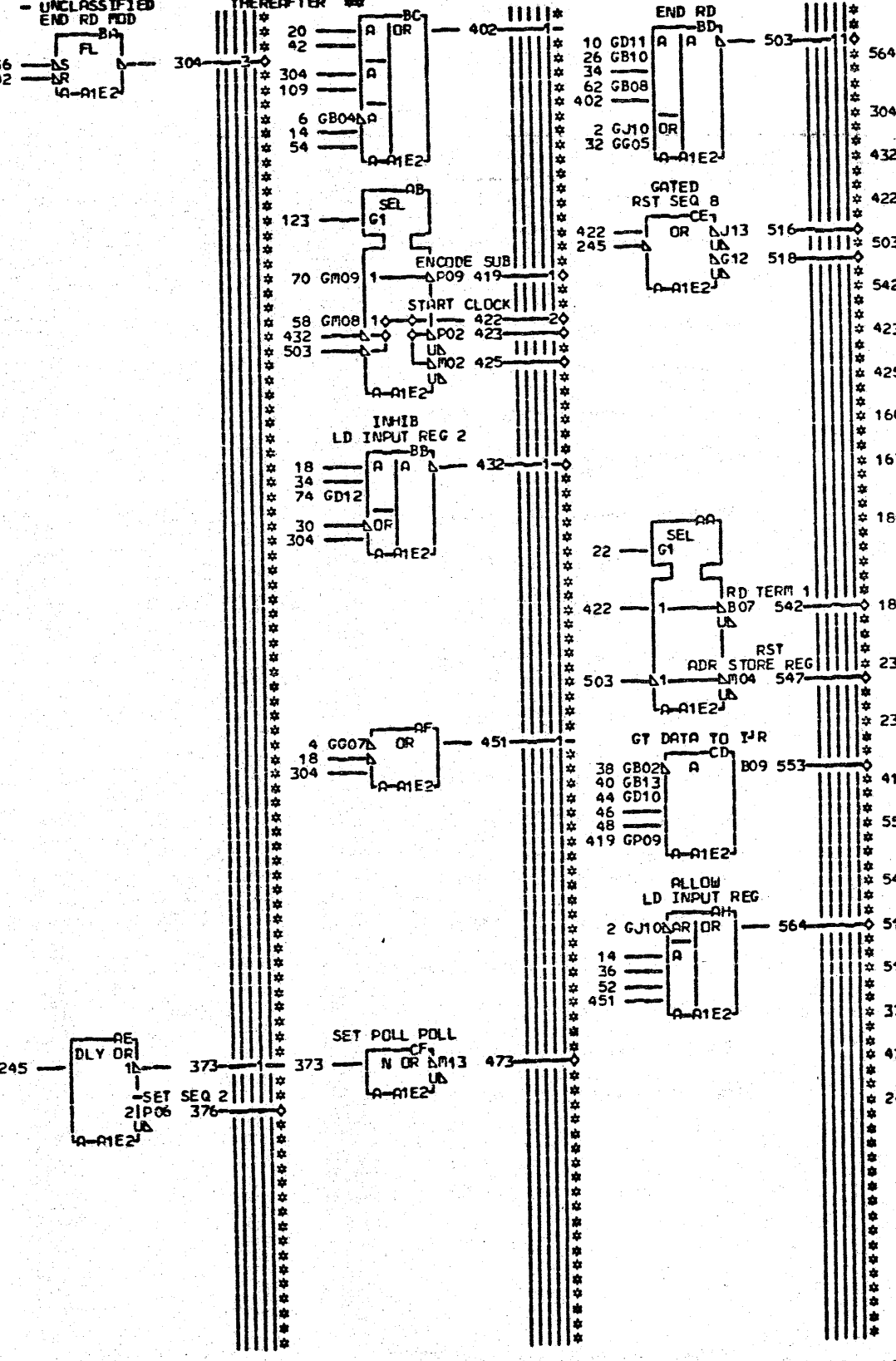
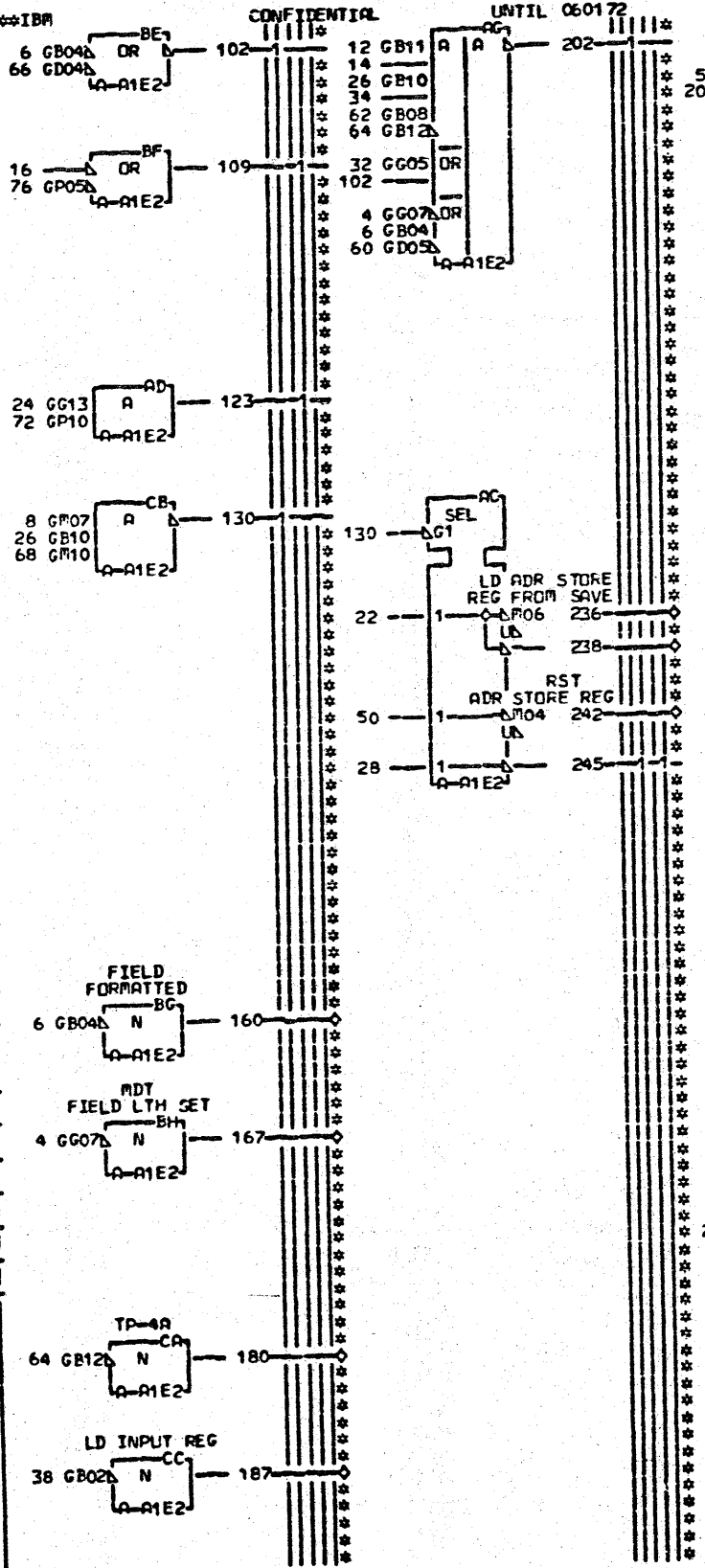
MP041
MP043
000

LOC. TYPE
A-A1E2 2218

PAGE VER EC LEV
MP041 000 717483
MP042 000 739279
MP043 000 717483

SEQUENCE 8 READ OPERATIONS			
TEST REQUEST			
E.C. HISTORY	C	MACH-3272	
717471			
716956		FRAME 01	MP041
717483			
717490		IBR CORP. SDD	MP043
DATE LAST EC			
11-18-73	739279	P. No 1823026	000

- RD BFR CMD - LC305AF3- 2
 - MDT FIELD LTH SET - MP021AQ4- 4
 - FIELD FORMATTED - MP021AR2- 6-2
 + REREAD USE LTH SET - MP021AS2- 8
 + BAC DECODE END - MP035BE4- 10
 + BAC DECODE 0 - MP035BS4- 12
 + RD MODIFIED CMD - MP041AA4- 14
 - I O REG LDD RD - MP041AE4- 16
 + BYTE CNT 0 - MP041AJ4- 18
 + I O REG LDD RD - MP041EC4- 20
 + TP-5B - MP042AB4- 22
 + RD BFR OR RD MOD - MP042AC4- 24
 + RD MODE - MP042AZ2- 26
 + FIRST BLOCK LTH SET - MP042BB2- 28
 - RD MODE - MP042BC4- 30
 - FIRST BYTE LTH SET - MP042BD4- 32
 + BFR ADR COMPARE - MP043BF4- 34
 - NULL AND BC 0 - MP043BK4- 36
 - LD INPUT REG - MP047AB4- 38
 - ENCODE SF - MP047AF4- 40
 + RD BFR - MP047AN4- 42
 - ENCODE SBA - MP047AT4- 44
 - LD BYTE 1 HIGH - MP047AX4- 46
 - LD BYTE 2 LOW - MP047AZ4- 48
 + TP 5A - MP047BX4- 50
 - LIGHT PEN INHIBIT - MP047BY4- 52
 - TAG INHIBIT - MP048BX4- 54
 - RST END RD MOD - MP048CG4- 56
 + STOP LTH SET - MP051BL4- 58
 - BYTE CNT 2 - MP062BJ4- 60
 - BYTE CNT 1 - MP062BK4- 62
 - TP-4A - MP063BT4- 64
 + PER CYCLE LTH SET - MP065AW4- 66
 - TIMEOUT LTH SET - MP067AW4- 68
 + GT ENCODE SUB TO FETS - MP111BG4- 70
 + SEQ 8 LTH SET - MP114BJ4- 72
 + SJR BIT CNTL POWERED - MP131BG4- 74
 - NULL DECODE - MP137AM4- 76



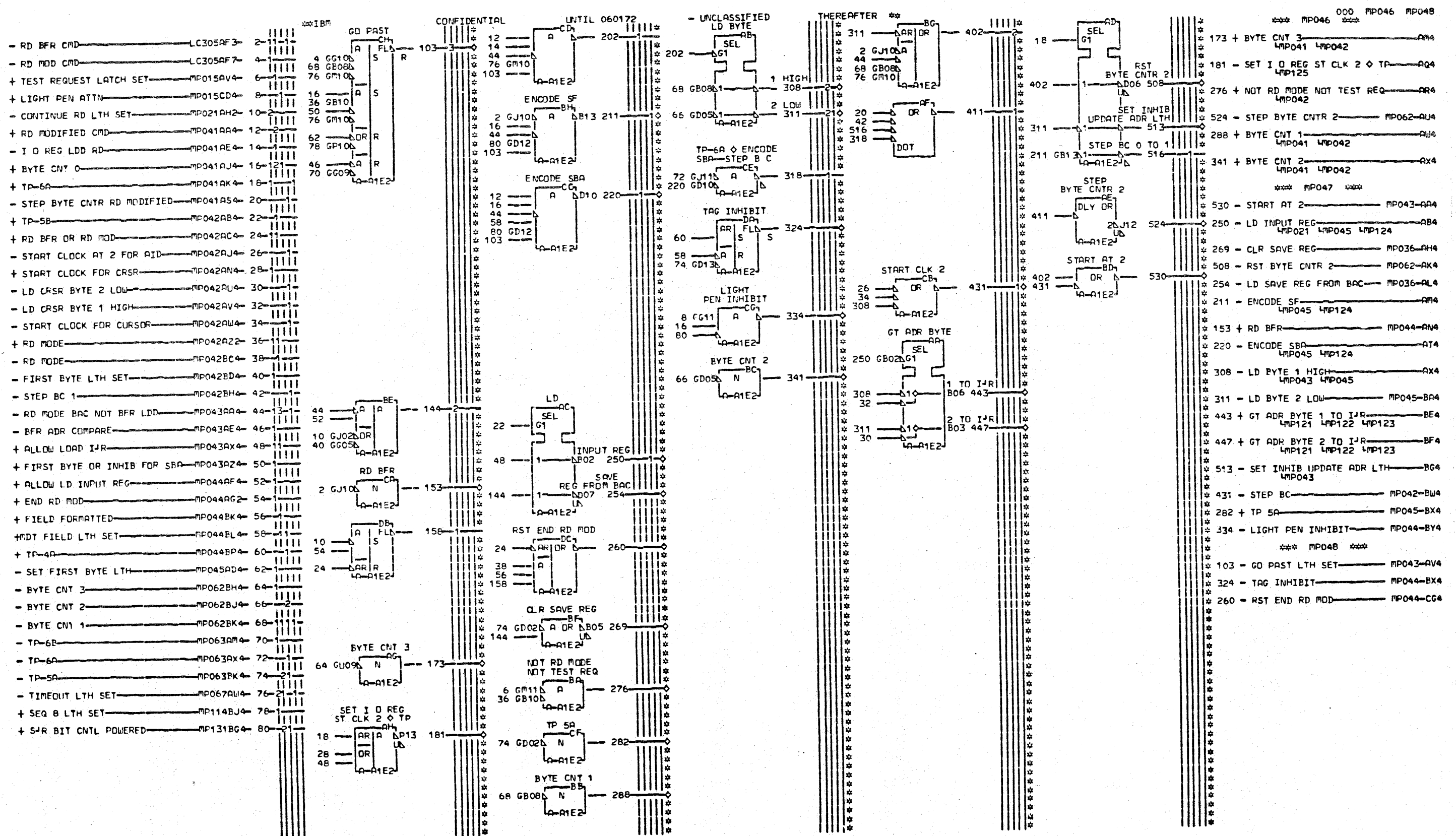
000 MP044 MP045
 *** MP044 ***
 564 + ALLOW LD INPUT REG - MP043-LP047
 304 + END RD MOD - MP048-AG2
 432 - INHIB LD INPUT REG 2 - MP043-AL4
 422 + START CLOCK - MP043-AR4
 503 - END RD - MP043-AS4
 542 - RD TERM 1 - MP115-AU4
 423 - SET MPLX OP FINISHED - MP012-AV4
 425 - SET SEQ 6-SQ 8 RD - MP114-AW4
 160 + FIELD FORMATTED - MP048-BK4
 167 +MDT FIELD LTH SET - BL4
 LMP047 LMP048
 180 + TP-4A - MP048-BP4
 *** MP045 ***
 187 + LD INPUT REG - AC4
 LMP042 LMP043
 238 - SET FIRST BYTE LTH - AD4
 LMP042 LMP048
 236 - LD ADR STORE REG FROM SAVE - AE4
 LMP036
 419 - ENCODE SUB - MP124-AH4
 553 + GT DATA TO IJR - AL4
 LMP121 LMP124
 547 - RST ALR STORE REG - MP036-AW4
 516 - GATED RST SEQ 8 - MP114-AV4
 518 - SET CHANGE SEQ LTH - MP113-AZ4
 376 - SET SEQ 2 - MP113-BC4
 473 - SET POLL POLL - MP107-BD4
 242 - RST ADR STORE REG - MP036-BG4

LOC TYPE
A-A1E2 2218

PAGE VER EC LEV
MP044 000 739279
MP045 000 739542

SEQ 8 READ OPERATIONS			
E.C. HISTORY	C	PACH. 3272	
717471	739542	FRAME 01	MP044
717483		IBN CORP. SDD	MP045
717959			
718948			
DATE	LAST EC	P.No	1823028 000
11-18-73	739279		

MP044
MP045
000

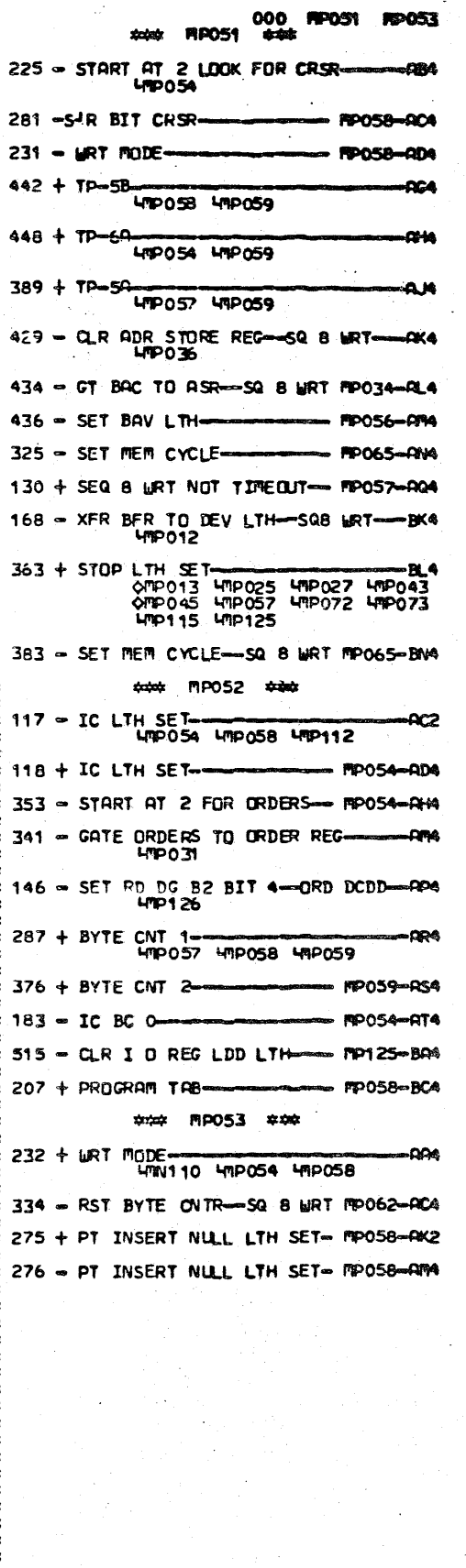
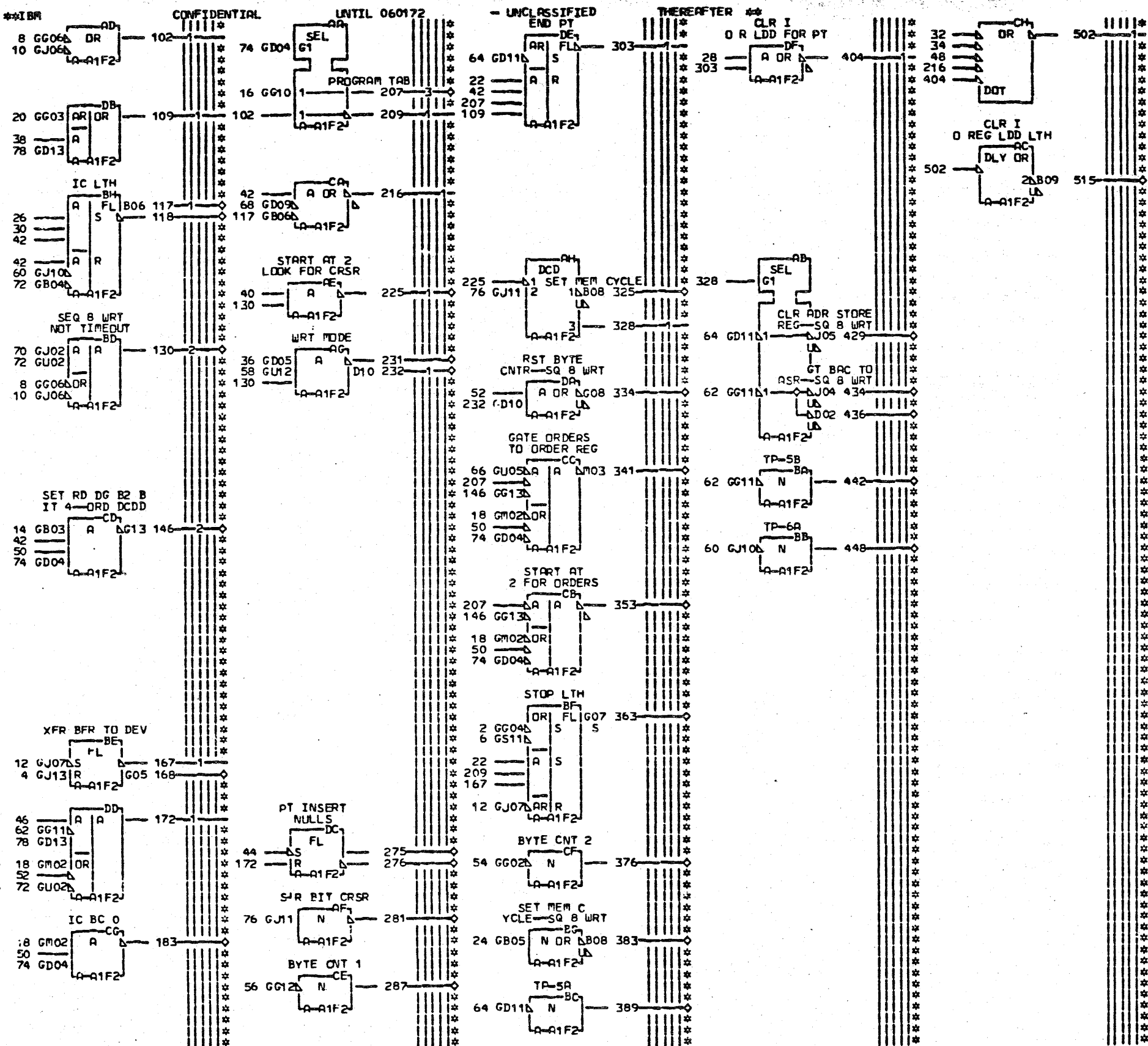
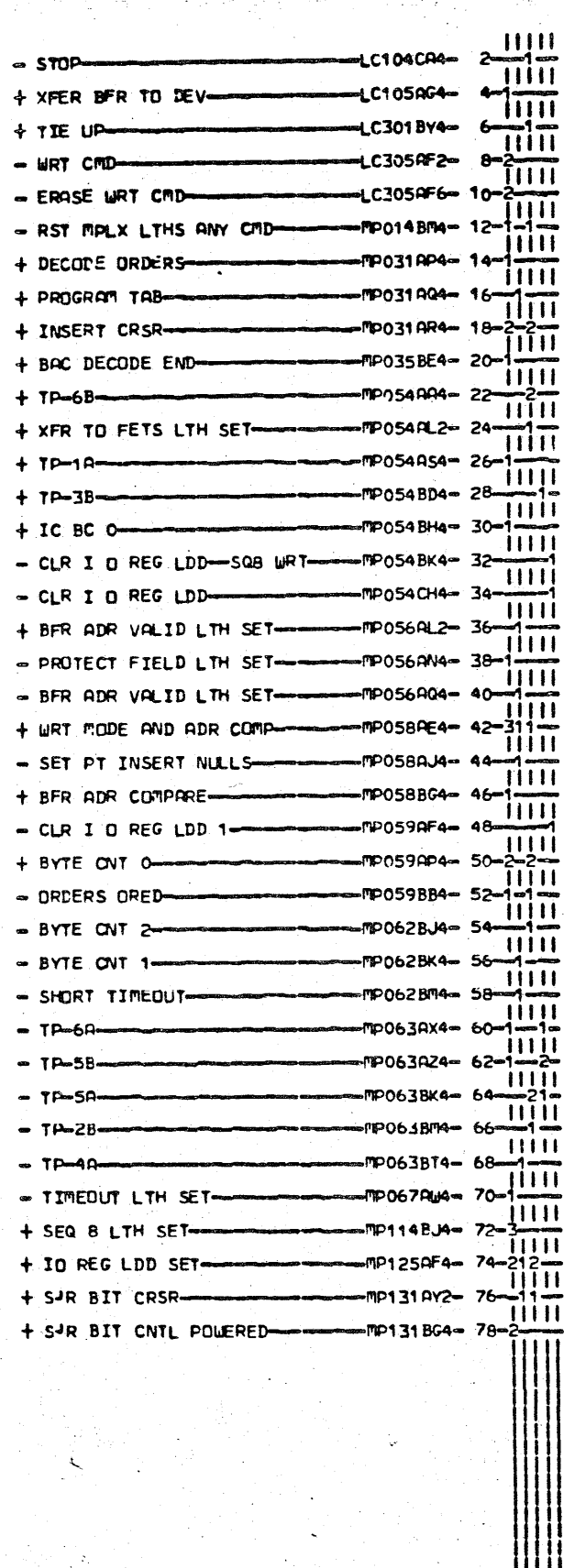


MP046
MP048
000

LDC TYPE
A-A1E2 2218

PAGE VER EC LEV
MP046 000 717483
MP047 000 739279
MP048 000 739279

SEQ 8 READ OPERATIONS			
E.C.	HISTORY	C	MACH. 3272
717471	739542	FRAME	01 MP046
716956		IBM CORP.	SDD MP048
717483		DATE	LAST EC
717959		11-18-73	739279
		P.No.	1823030 000



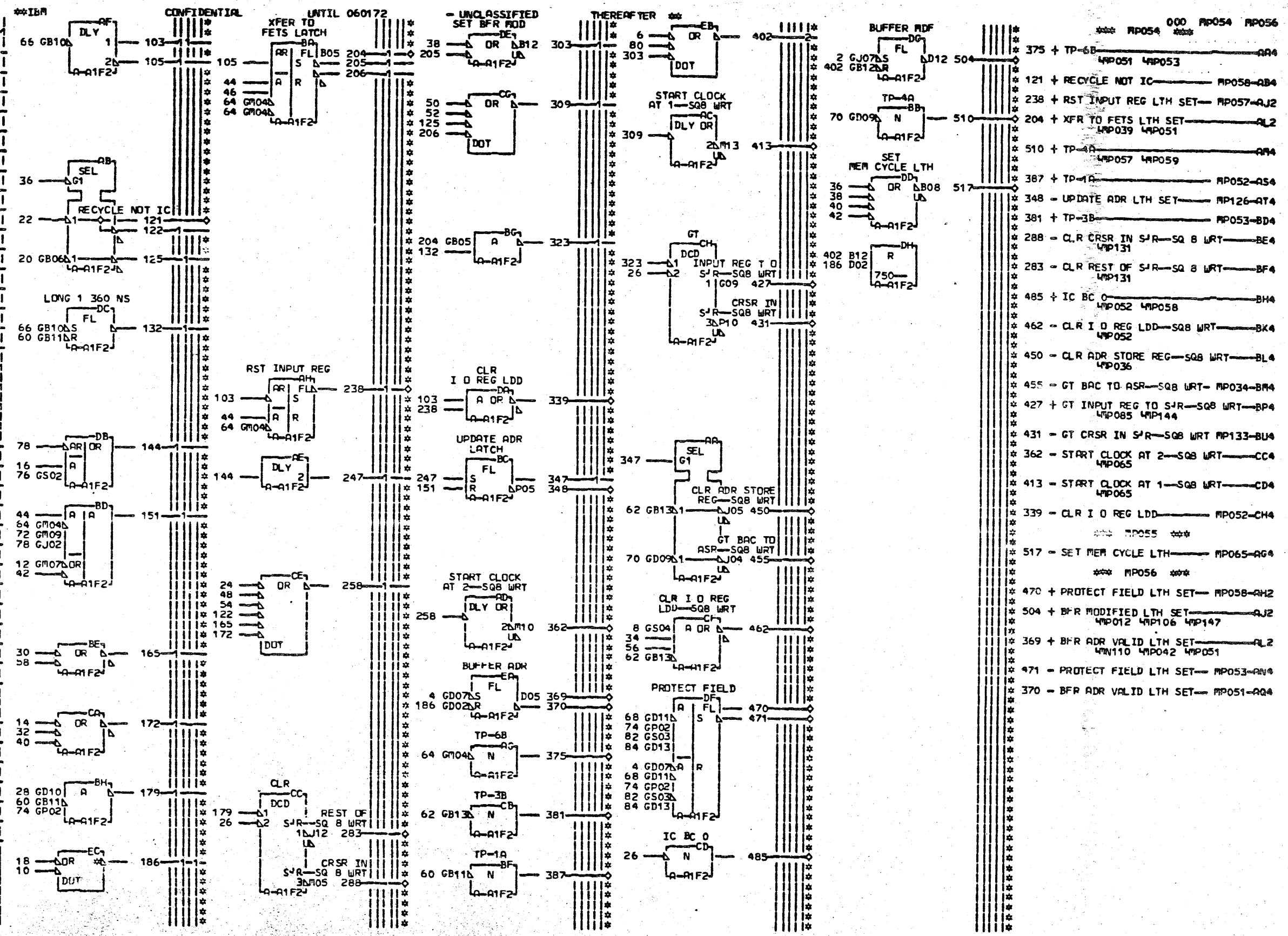
MP051
MP053
000

LOC. TYPE
A-A1F2 9039

PAGE VER EC LEV
MP051 000 739275
MP052 000 717490
MP053 000 717490

SEQ 8 WRITE OPERATIONS			
PROG TAB ORDER CTRL			
E-C-HISTORY-C-MAC:3272			
717471		FRAME	01 MP051
716956			
717483		IBN	CRP-KN MP053
717490		DATE	LAST EC
02-29-74	739275	P.No.	1823032 000

- RST MPLX LTHS ANY CMD - MP0146A4 - 2
- RST BFR VLD-EAU + CPYC SEQ 5 - MP025BU4 - 4
- SET BFR MODIFIED - MP027BP4 - 6
- + REPEAT TO ADDRESS - MP031BH4 - 8
- SET BAV-SQ 8 RD - MP042BU4 - 10
- SET UPDATE ADR LTH - MP043AD4 - 12
- START AT 2 LOOK FOR CRSR - MP051AB4 - 14
- + TP-6A - MP051AH4 - 16
- SET BAV LTH - MP051AM4 - 18
- IC LTH SET - MP052AC2 - 20
- + IC LTH SET - MP052AD4 - 22
- START AT 2 FOR ORDERS - MP052AH4 - 24
- IC BC 0 - MP052AT4 - 26
- + WRT MODE - MP053AA4 - 28
- START AT 2 STOP - MP057AG4 - 30
- START AT 2 STOP ORDER HUNG - MP057AU4 - 32
- + ADR REG LDD LTH SET - MP057BG4 - 34
- RECYCLE - MP058AK4 - 36
- GATED EUA - MP058AM4 - 38
- GATED SBA - MP058AP4 - 40
- GATED PT - MP058AQ4 - 42
- + GATED WRT OR SF - MP058AU4 - 44
- + GATED RA OR IC - MP058AV4 - 46
- START AT 2 EUA - MP058AW4 - 48
- START AT 1 EUA - MP058AX4 - 50
- START AT PT - MP058AY4 - 52
- START AT PT - MP058AZ4 - 54
- + BFR ADR COMPARE - MP058BG4 - 56
- START AT 2 SBA EUA RA - MP059AW4 - 58
- TP-1A - MP063AJ4 - 60
- TP-3B - MP063AL4 - 62
- TP-6B - MP063AM4 - 64
- TP-2A - MP063AJ4 - 66
- TP-5A - MP063BK4 - 68
- TP-4A - MP063BT4 - 70
- + GATE START CLOCK - MP065AQ4 - 72
- + MEM CYCLE LTH SET - MP065AW4 - 74
- RESTART - MP065BP4 - 76
- TIMEOUT LTH SET - MP067AW4 - 78
- SET BFR MODIFIED - SQ 7 - MP075AT4 - 80
- + SJR BIT 2 - MP131BE2 - 82
- + SJR BIT CNTL POWERED - MP131BG4 - 84

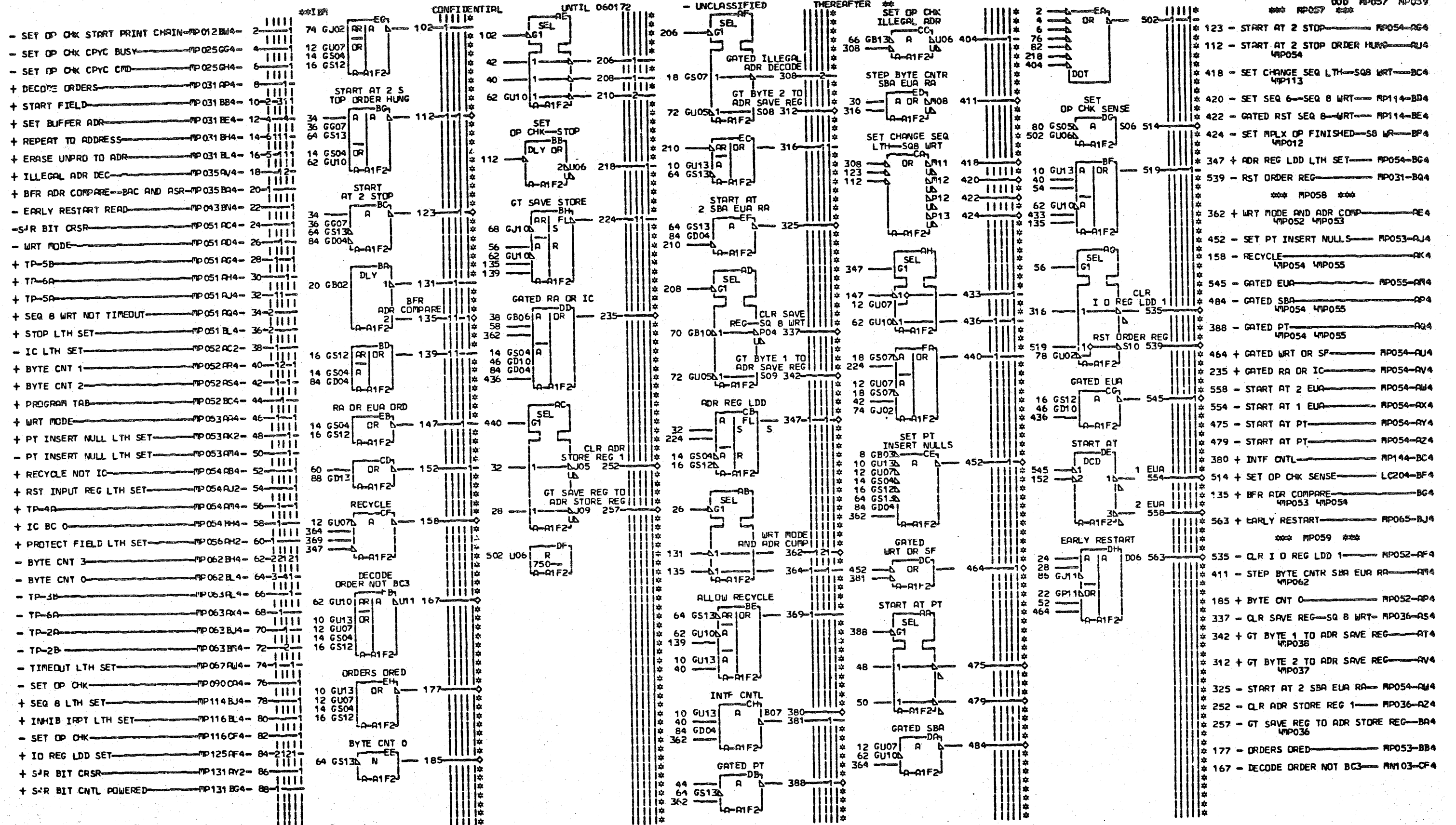


MP054
MP056
000

LDC TYPE
A-A1F2 9039

PAGE VER EC LEV
MP054 000 739275
MP055 000 717490
MP056 000 717490

SEQ 8 WRITE OPERATIONS			
-E-C-HISTORY-	C-MCH-3272		
717471		FRAME 01	MP054
717490		IBM CORP-KN	MP056
DATE	LAST EC	P.No.	000
02-29-74	739275	1823033	

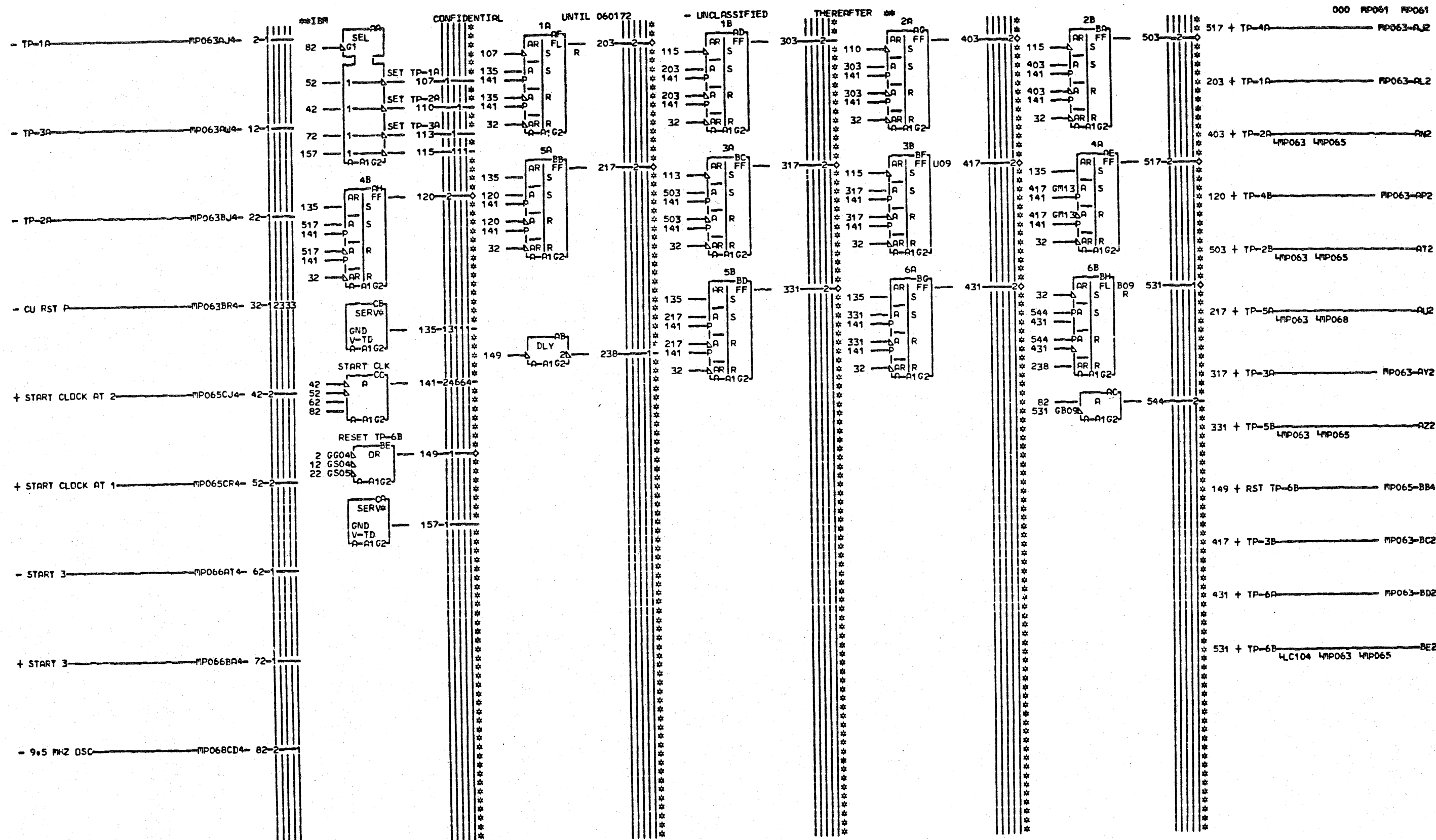


- SET OP CHK START PRINT CHAIN-MP012BU4- 2
- SET OP CHK CPYC BUSY-MP025GG4- 4
- SET OP CHK CPYC CMD-MP025GH4- 6
- + DECODE ORDERS-MP031AP4- 8
- + START FIELD-MP031BB4- 10
- + SET BUFFER ADR-MP031BE4- 12
- + REPEAT TO ADDRESS-MP031BH4- 14
- + ERASE UNPRO TO ADR-MP031BL4- 16
- + ILLEGAL ADR DEC-MP035AV4- 18
- + BFR ADR COMPARE-BAC AND ASR-MP035BA4- 20
- EARLY RESTART READ-MP043BV4- 22
- S-R BIT CRSR-MP051AC4- 24
- WRT MODE-MP051AD4- 26
- + TP-5B-MP051AG4- 28
- + TP-6A-MP051AH4- 30
- + TP-5A-MP051AJ4- 32
- + SEQ 8 WRT NOT TIMEDUT-MP051AQ4- 34
- + STOP LTH SET-MP051BL4- 36
- IC LTH SET-MP052AC2- 38
- + BYTE CNT 1-MP052AR4- 40
- + BYTE CNT 2-MP052AS4- 42
- + PROGRAM TAB-MP052BC4- 44
- + WRT MODE-MP053AR4- 46
- + PT INSERT NULL LTH SET-MP053AK2- 48
- PT INSERT NULL LTH SET-MP053AM4- 50
- + RECYCLE NOT IC-MP054AB4- 52
- + RST INPUT REG LTH SET-MP054AJ2- 54
- + TP-4A-MP054AM4- 56
- + IC BC 0-MP054MH4- 58
- + PROTECT FIELD LTH SET-MP056AH2- 60
- BYTE CNT 3-MP062BH4- 62
- BYTE CNT 0-MP062BL4- 64
- TP-3B-MP063AL4- 66
- TP-6A-MP063AX4- 68
- TP-2A-MP063BJ4- 70
- TP-2B-MP063BQ4- 72
- TIMEOUT LTH SET-MP067AJ4- 74
- SET OP CHK-MP090C4- 76
- + SEQ 8 LTH SET-MP114BJ4- 78
- + INHIB IRPT LTH SET-MP116BL4- 80
- SET OP CHK-MP116CF4- 82
- + IO REG LDD SET-MP125AF4- 84
- + S-R BIT CRSR-MP131AY2- 86
- + S-R BIT CNTL POWERED-MP131BG4- 88

SEQUENCE WRITE OPERATIONS			
E-C-HISTORY	C-MACH	3272	
717471			
716956	FRAME	01	RP057
717483			
717490	IBM CORP-KN		RP059
DATE	LAST EC		
02-29-74	739275	P.No	1823034 000

LDC TYPE A-A1F2 9039

PAGE VER EC LEV
RP057 000 717490
RP058 000 717490
RP059 000 739275



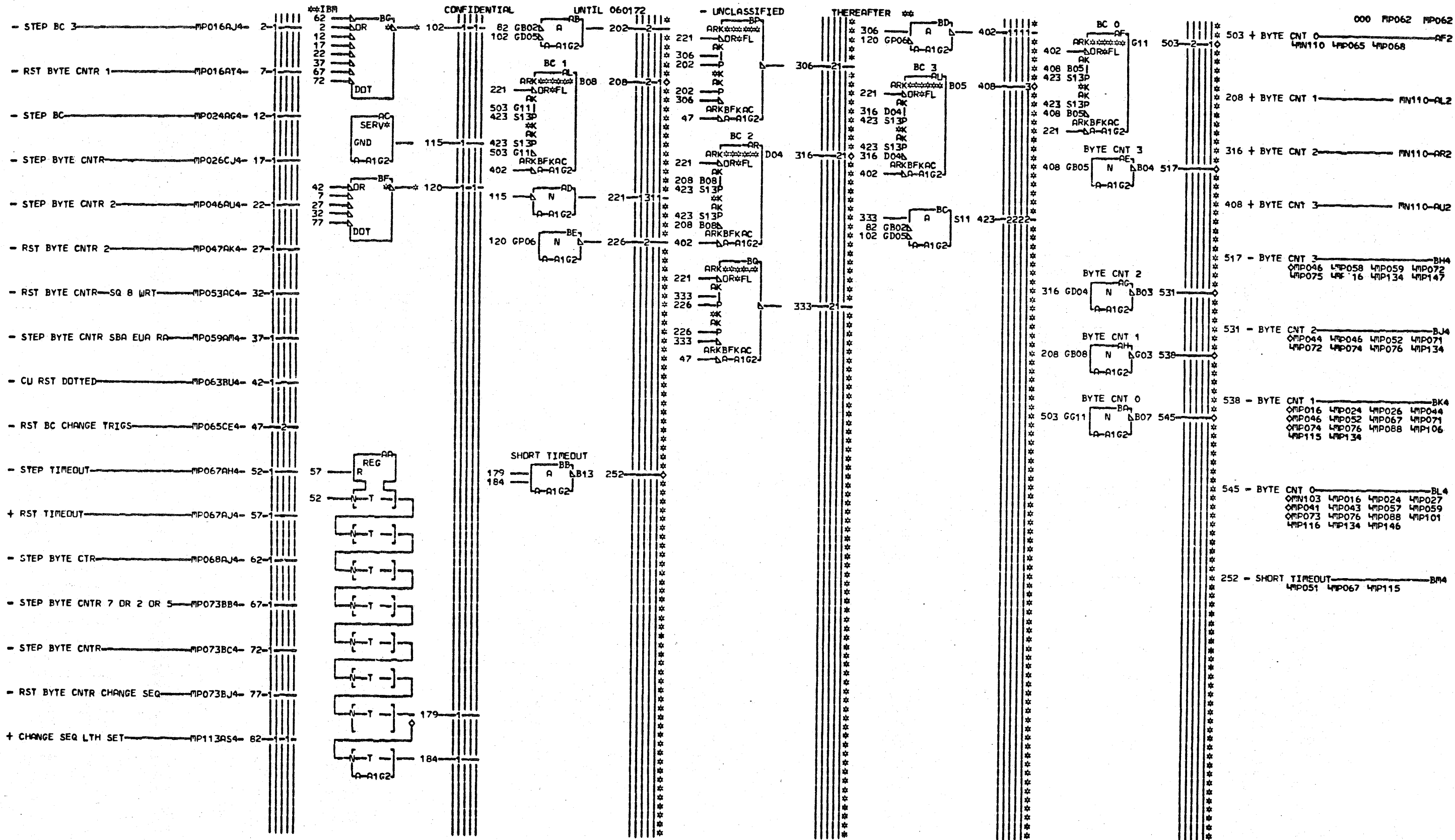
000 MP061 MP061

LOC. TYPE
A-A1G2 9036

PAGE VER EC LEV
MP061 000 717490

TP CLOCK	
E.C. HISTORY 717471 716956	MACH. 3272 FRAME 01 IBM CORP. KN P.No. 1823035
DATE LAST EC 05-10-72 717490	MP061 MP061 000

MP061
MP061
000



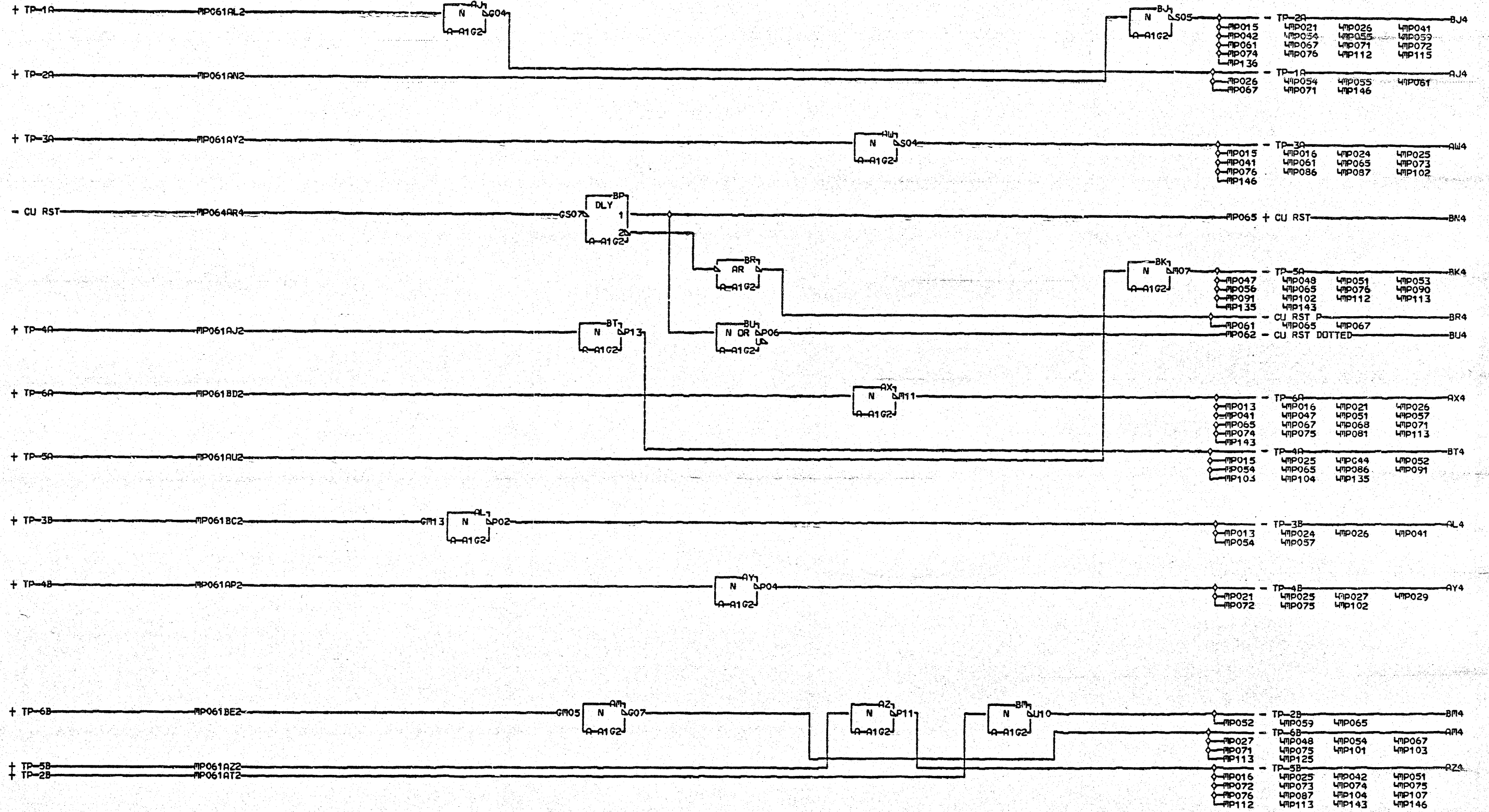
EDGE CONN.
102 RESISTOR
A-1G2D05
120 RESISTOR
A-1G2P06

LOC. TYPE
A-1G2 9036

PAGE VER EC LEV
MP062 C00 717483

BYTE COUNTER AND SHORT TIMEOUT COUNTER			
E-C-HISTORY		B-MACH-3272	
717471			
716956		FRARE 01	MP062
		IBM CORP-KN	MP062
DATE	LAST EC	P.No.	1823036
03-16-72	717483		000

MP062
MP062
000



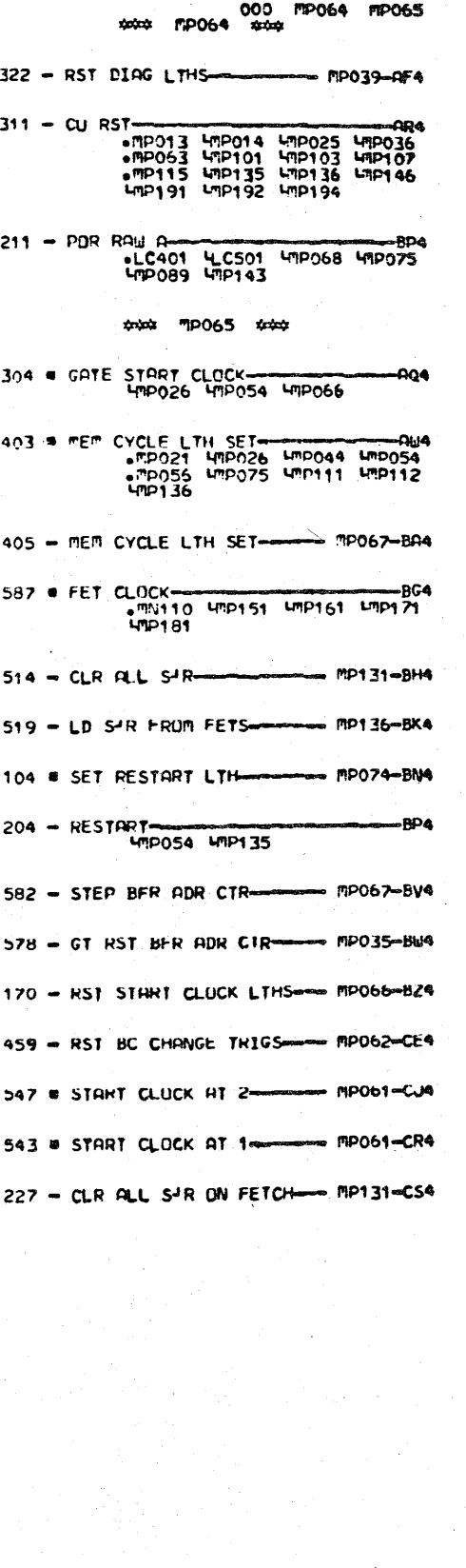
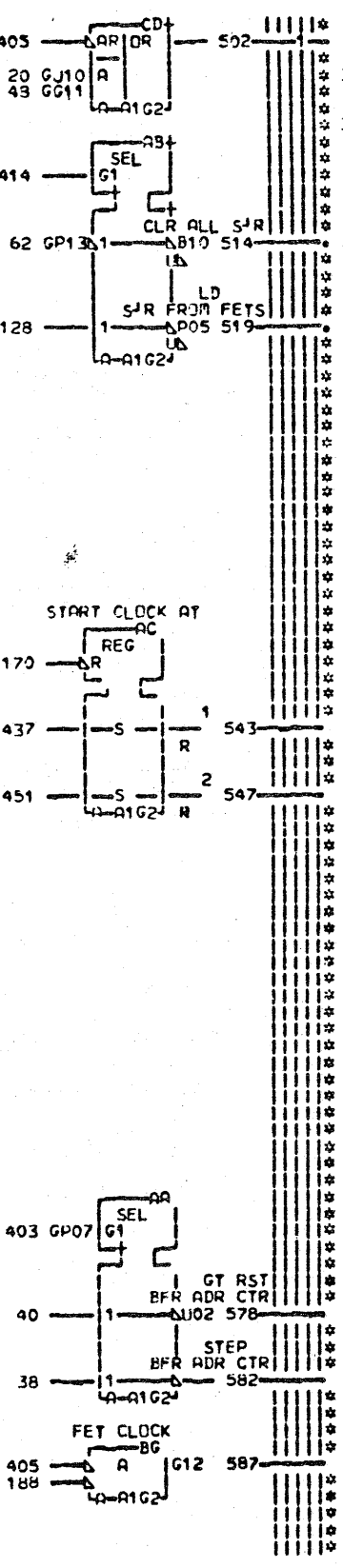
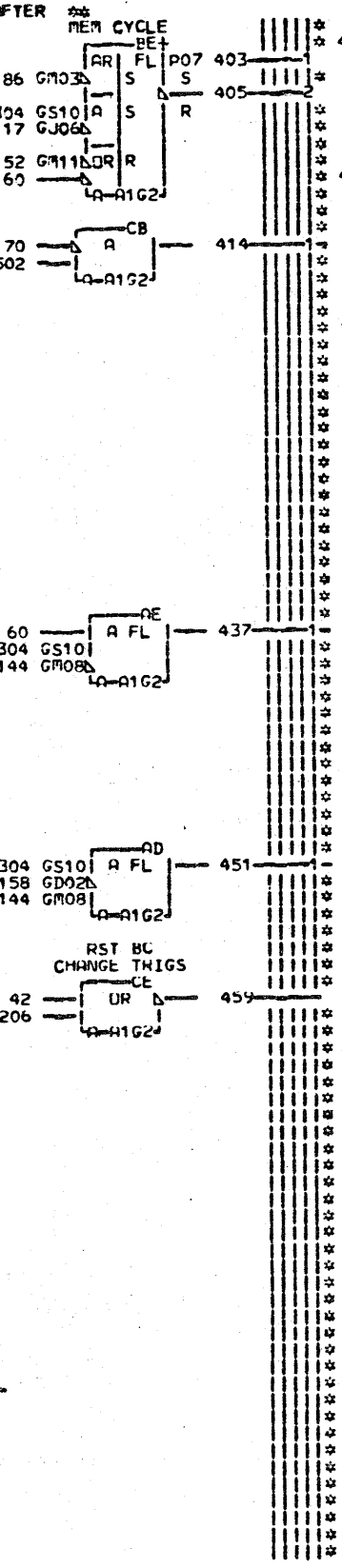
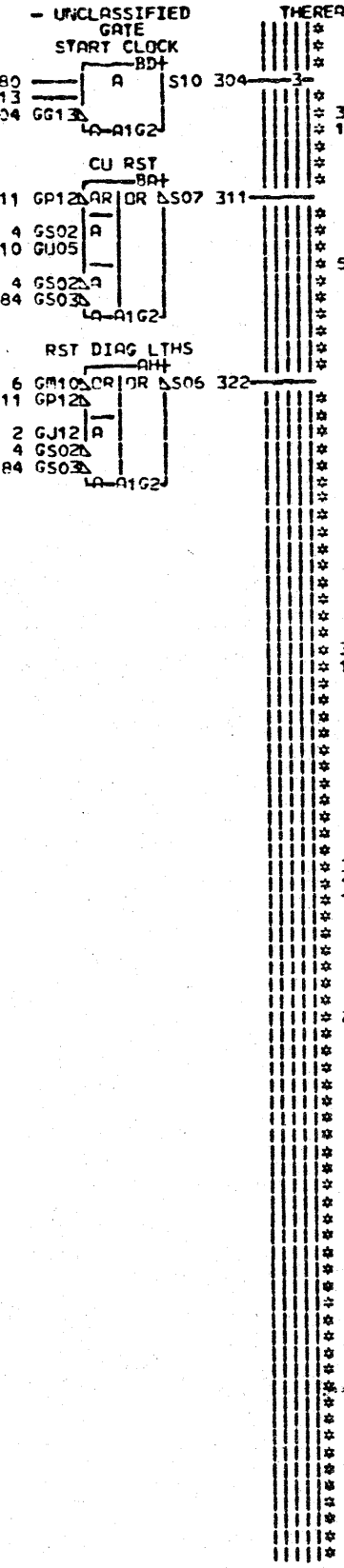
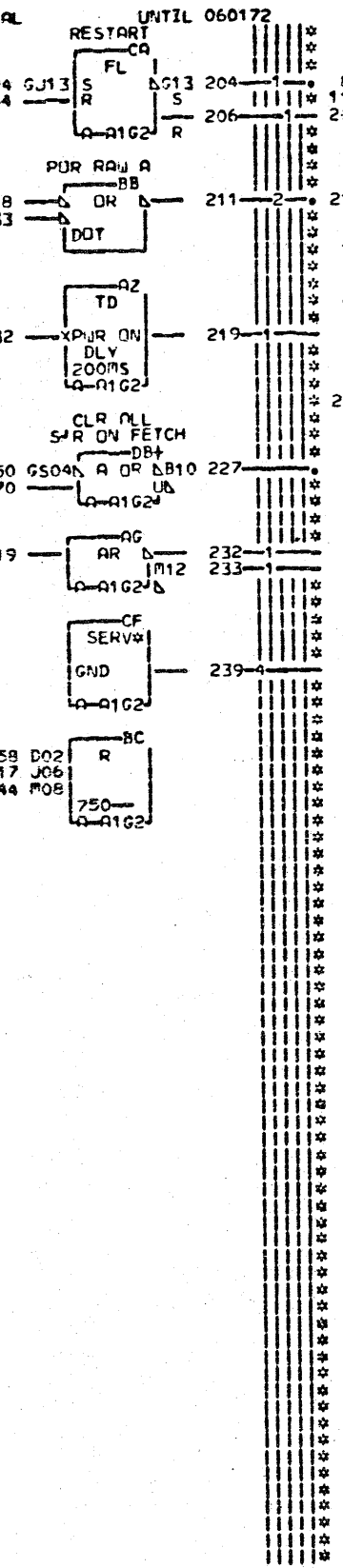
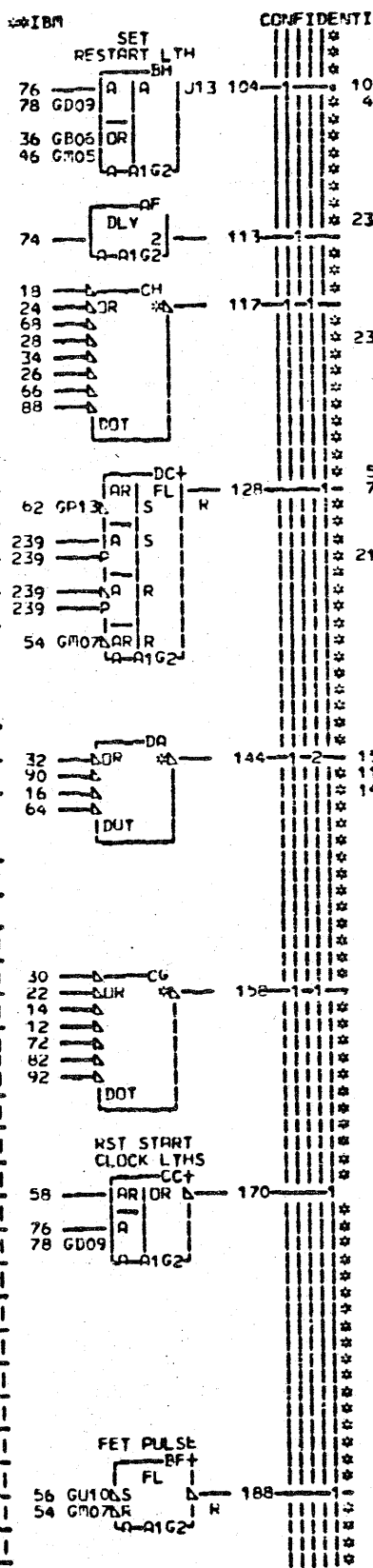
LOC. TYPE
A-1G2 9036

CLOCK GATING	
E.C. HISTORY 741257	E. MACH. 3272
DATE LAST EC 05-03-78 747510	FRAME 01
	IBM CORP. KN
	P.No. 1746538

011

011

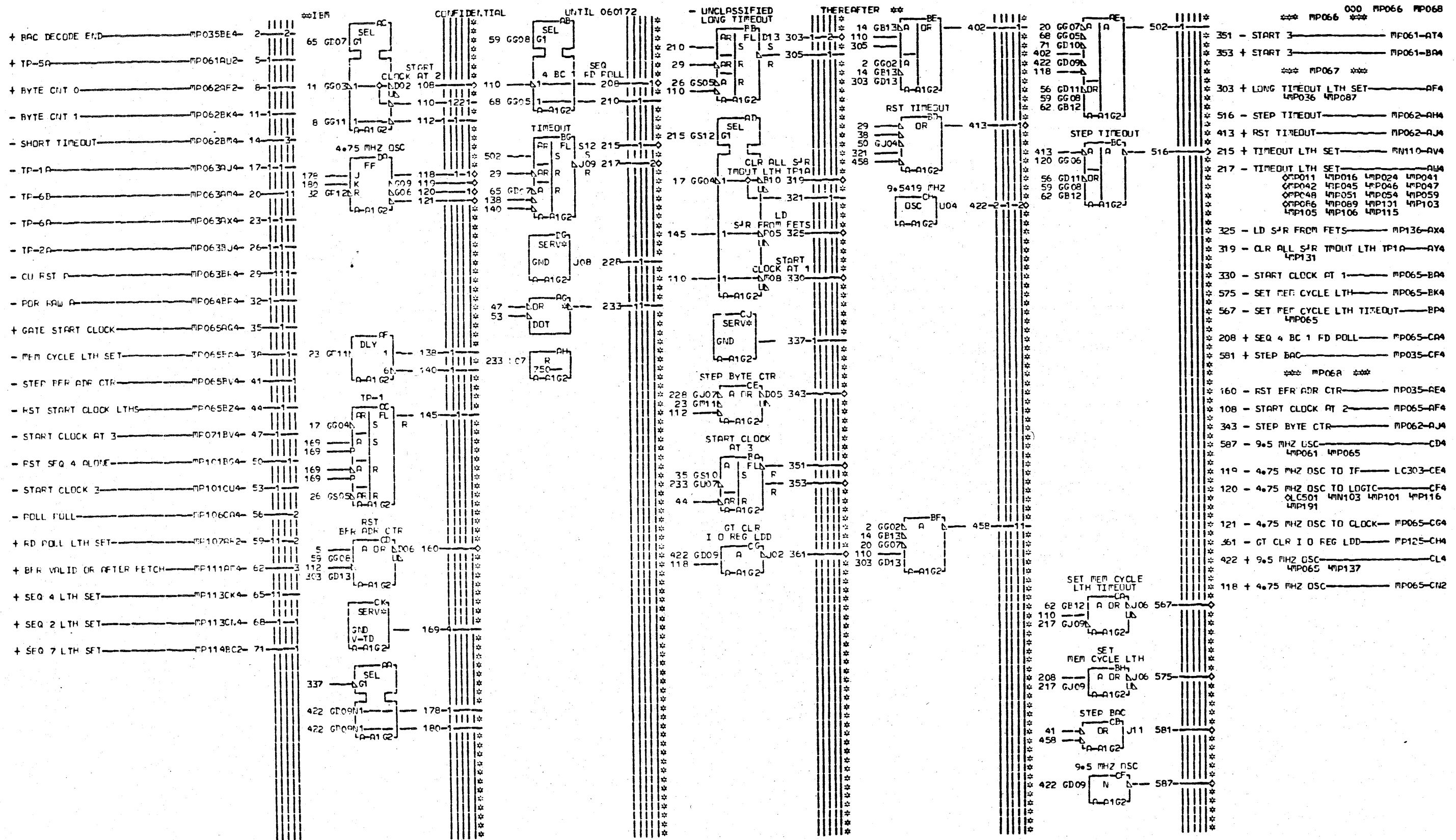
- TIE UP — LC301BY4 — 2
- SYSTEM RESET 1 — LC403AC4 — 4
- ANY HALT IO — LC403CA4 — 6
- POR — LC404BP4 — 8
- CLR PRI CTR LDD LTH — LC501AM4 — 10
- START CLOCK AT 2 SEQ 5 OR 6 — TP016BA4 — 12-1
- START CLOCK AT 2 FROM 5 — TP024AV4 — 14-1
- START CLOCK AT 1 — S2 5 2 — TP026BJ4 — 16-1
- SET MEM CYCLE LTH — S2 5 — TP026CG4 — 18-1
- ALLOW CLR AND LOAD — TP042BQ4 — 20
- START CLOCK AT 2 — TP043AK4 — 22-1
- SET MEM CYCLE LTH — TP043AU4 — 24-1
- SET MEM CYCLE — TP051AN4 — 26-1
- SET MEM CYCLE — S2 8 WRT — TP051BN4 — 28-1
- START CLOCK AT 2 — SQB WRT — TP054CC4 — 30-1
- START CLOCK AT 1 — SQB WRT — TP054CD4 — 32-1
- SET MEM CYCLE LTH — TP055AG4 — 34-1
- EARLY RESTART — TP058BJ4 — 36-1
- TP-2A — TP061AT2 — 40
- TP-2B — TP061AZ2 — 42
- RST TP-6B — TP061BB4 — 44-1
- TP-6B — TP061BE2 — 46-1
- BYTE CNT 0 — TP062AF2 — 48
- TP-3A — TP063AW4 — 50-1
- TP-6A — TP063AX4 — 52-1
- TP-5A — TP063BK4 — 54-2
- TP-2B — TP063BN4 — 56-1
- CU RST — TP063BN4 — 58-1
- CU RST P — TP063BR4 — 60-2
- TP-4A — TP063BT4 — 62-1
- START CLOCK AT 1 — TP067AA4 — 64-1
- SET MEM CYCLE LTH — TP067BK4 — 66-1
- SET MEM CYCLE LTH TIMEOUT — TP067BP4 — 68-1
- SEQ 4 BC 1 RD POLL — TP067CA4 — 70-1
- START CLOCK AT 2 — TP068AF4 — 72-1
- 905 MHZ OSC — TP068CD4 — 74-1
- 4075 MHZ OSC TO CLOCK — TP068CG4 — 76-2
- 905 MHZ OSC — TP068CL4 — 78-2
- 4075 MHZ OSC — TP068CN2 — 80-1
- START CLOCK AT 2 SEQ 2 OR 3 — TP071AU4 — 82-1
- SEQ 2 OR 3 NOT SEND OS — TP071AV4 — 84-2
- SET MEM CYCLE ALONE — TP071AY4 — 86-1
- SET MEM CYCLE LTH SEQ 2 3 — TP071BJ4 — 88-1
- START CLOCK 1 — TP071BY4 — 90-1
- START CLOCK AT 2 — SEQ 7 — TP073BG4 — 92-1



LOC# TYPE
A-A1G2 9035

PAGE VER EC LEV
MP064 000 718964
MP065 000 718948

MLPXR RESETS, START CLOCK			
CTRLS BAC ■ FET BFR CTRLS			
-ECC-HISTORY-C MACH03272			
717471	717950	FRAME	01 MP064
716956	717855		
717483	718941	IBM CORPOMN	MP065
717490	718948		
DATE	LAST EC		
02-15-73	718964	PNW 1823039	000



- + BAC DECODE END MP035BE4 2-1-1
- + TP-5A MP061AU2 5-1-1
- + BYTE CNT 0 MP062AF2 8-1-1
- BYTE CNT 1 MP062BK4 11-1-1
- SHORT TIMEOUT MP062BM4 14-1-1
- TP-1A MP063AJ4 17-1-1
- TP-6B MP063AM4 20-1-1
- TP-6A MP063AX4 23-1-1
- TP-2A MP063BJ4 26-1-1
- CU RST P MP063BF4 29-1-1
- POR HAW A MP064BF4 32-1-1
- + GATE START CLOCK MP065AG4 35-1-1
- MEM CYCLE LTH SET MP065FA4 38-1-1
- STEP PER ADP CTR MP065RV4 41-1-1
- RST START CLOCK LTHS MP065E24 44-1-1
- START CLOCK AT 3 MP071BV4 47-1-1
- RST SEQ 4 ALONE MP101BG4 50-1-1
- START CLOCK 3 MP101CU4 53-1-1
- POLL POLL MP106CA4 56-1-1
- + RD POLL LTH SET MP107AF2 59-1-1
- + BFR VALID OR AFTER FETCH MP111AF4 62-1-1
- + SEQ 4 LTH SET MP113CK4 65-1-1
- + SEQ 2 LTH SET MP113CL4 68-1-1
- + SEQ 7 LTH SET MP114BC2 71-1-1

- 000 MP066 MP068
- *** MP066 ***
- 351 - START 3 MP061-AT4
- 353 + START 3 MP061-BA4
- *** MP067 ***
- 303 + LONG TIMEOUT LTH SET AF4
MP036 MP087
- 516 - STEP TIMEOUT MP062-AH4
- 413 + RST TIMEOUT MP062-AJ4
- 215 + TIMEOUT LTH SET MN110-AV4
- 217 - TIMEOUT LTH SET AA4
MP011 MP016 MP024 MP041
MP042 MP045 MP046 MP047
MP048 MP051 MP054 MP059
MP066 MP089 MP101 MP103
MP105 MP106 MP115
- 325 - LD S'R FROM FETS MP136-AX4
- 319 - CLR ALL S'R TMOU LTH TP1A-AV4
MP131
- 330 - START CLOCK AT 1 MP065-BA4
- 575 - SET PER CYCLE LTH MP065-BK4
- 567 - SET PER CYCLE LTH TIMEOUT BP4
MP065
- 208 + SEQ 4 BC 1 FD POLL MP065-CA4
- 581 + STEP BAC MP035-CF4
- *** MP06A ***
- 160 - RST EFR ADP CTR MP035-AE4
- 108 - START CLOCK AT 2 MP065-AF4
- 343 - STEP BYTE CTR MP062-AJ4
- 587 - 9.5 MHZ OSC CD4
MP061 MP065
- 119 - 4.75 MHZ OSC TO IF LC303-CE4
- 120 - 4.75 MHZ OSC TO LOGIC CF4
QLC501 MP103 MP101 MP116
MP191
- 121 - 4.75 MHZ OSC TO CLOCK MP065-CG4
- 361 - GT CLR I O REG LDD MP125-CH4
- 422 + 9.5 MHZ OSC CL4
MP065 MP137
- 118 + 4.75 MHZ OSC MP065-CN2

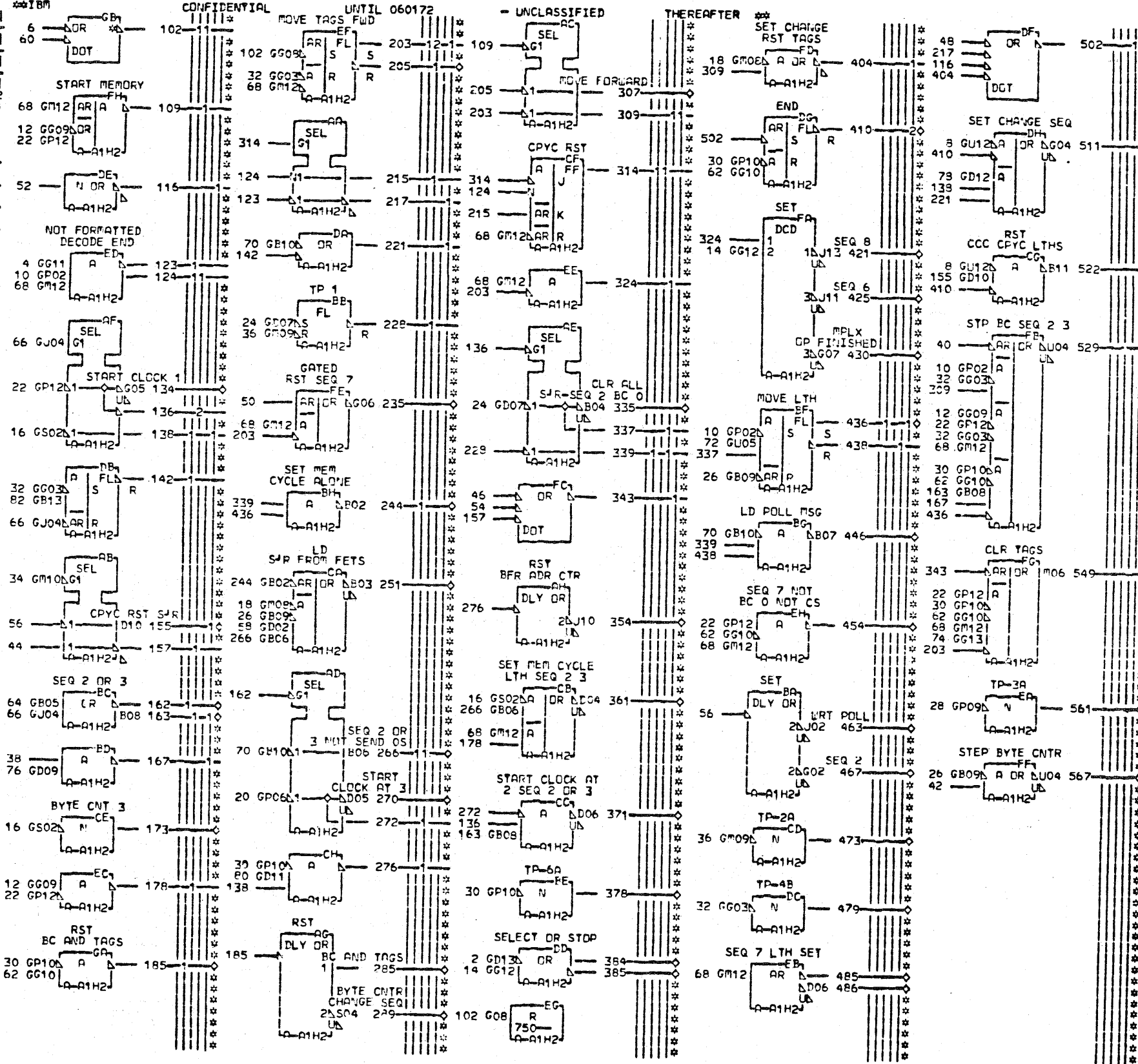
LDC TYPE
A-A1G2 9036

PAGE VEP EC LEV
MP066 000 717471
MP067 000 716956
MP068 000 739542

SEQ 8 WRITE OPERATIONS@ 9.5 MH
OSCILLATOR@ TIMEOUT CONTROLS
E-C-HISTORY@ C-FACT@ 3272
717471 718964 FRAME 01 MP066
716956 717490 IBM CORP-KN MP068
717955
DATE LAST EC
09-24-73 739542 P.No. 1823041 000

MP066
MP068
000

- I/O SELECT CMD LC305AG4- 2
 - FIELD FORMATTED TP021AR2- 4
 - SET MOVE TAGS FWD MP027BJ4- 6
 + BFR ADR COMPARE-BAC AND ASR-MP035BA4- 8
 + BAC DECODE END TP035BE4- 10
 + BAC DECODE 0 MP035BS4- 12
 + STOP LTH SET TP051BL4- 14
 - BYTE CNT 3 TP062BH4- 16
 - BYTE CNT 2 MP062BJ4- 18
 - BYTE CNT 1 MP062BK4- 20
 - BYTE CNT 0 TP062EL4- 22
 - TP-1A MP063AJ4- 24
 - TP-6B MP063AM4- 26
 - TP-3A MP063AN4- 28
 - TP-6A MP063AX4- 30
 - TP-4B MP063AY4- 32
 - TP-5B MP063AZ4- 34
 - TP-2A MP063BJ4- 36
 + BYTE CNT 1 MP074AA4- 38
 - STEP RC-FROM 2 TO 3 MP074AC4- 40
 + STEP BC MP074AU4- 42
 + CLR TAGS 3 MP074BD4- 44
 - CLR TAGS 1-SQ 7 MP074BT4- 46
 - SET CHANGE 1 MP075FA- 48
 + RST SEQ 7-SQ 7X MV TG FWD MP075RA4- 50
 + SET CHANGE 2 MP075BF4- 52
 - CLR TAGS 2 MP075BR4- 54
 - SET SEQ 2 WRT POLL MP075CC4- 56
 - CPYC ERASE LTH SET MP087AR2- 58
 - SET MOVE TAGS FWD LTH MP105AX4- 60
 + CHANGE SEQ LTH SET MP113AS4- 62
 + SEQ 3 LTH SET MP113AY2- 64
 + SEQ 2 LTH SET MP113CN4- 66
 + SEQ 7 LTH SET MP114BC2- 68
 + SEND ZERES TRIG SET MP116AL6- 70
 + WRT POLL TRIG SET MP116AN2- 72
 + S/R BIT CNTL POWERED MP131BG4- 74
 - DECODE END OF SHIFTING IN SE-MP137AV4- 76
 - WORD 1 NOT END WRT POLL MP146CC4- 78
 + GT RST BAC MP147AJ4- 80
 + LOAD PRIORITY CNTR MP193AJ4- 82



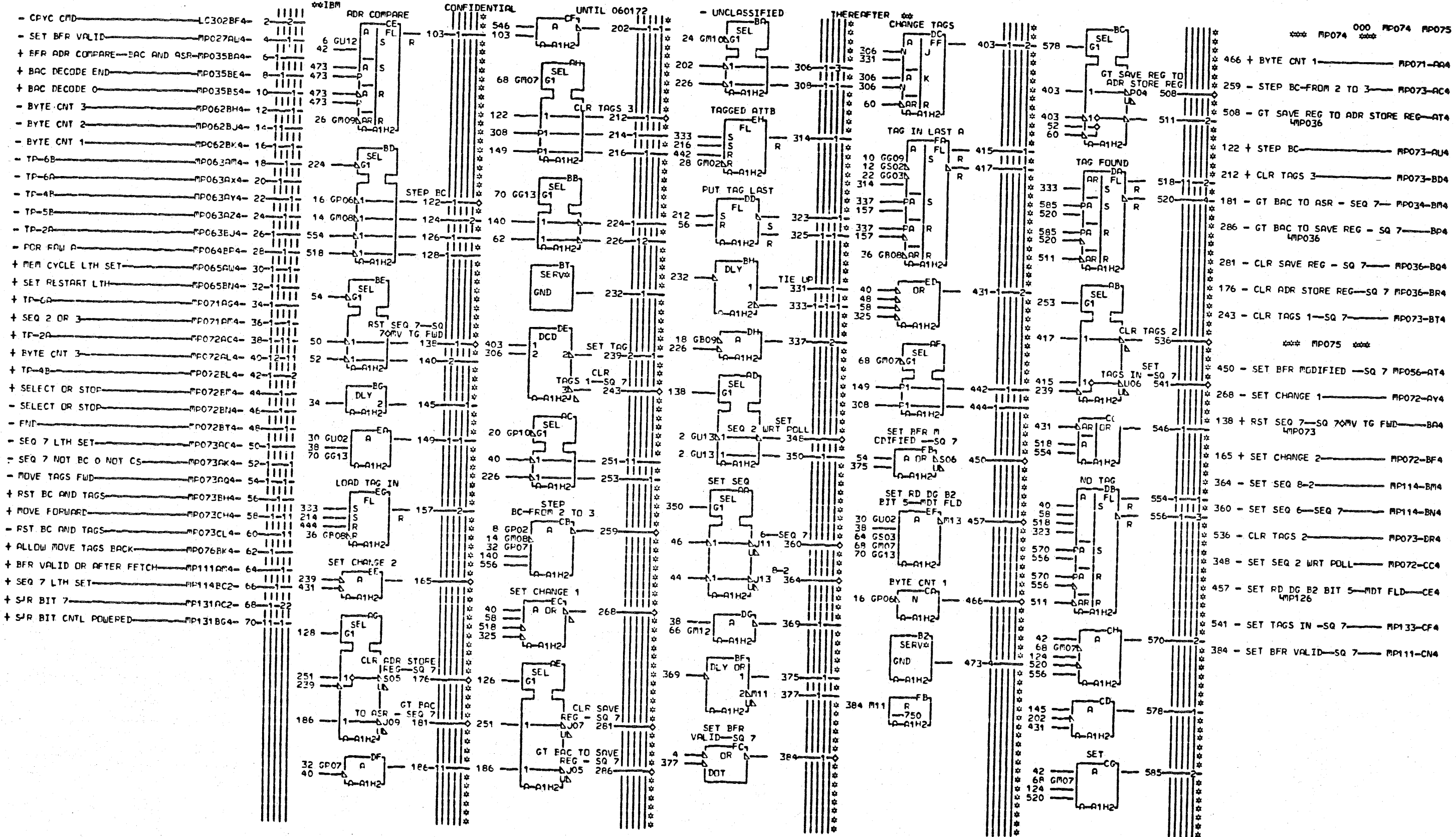
MP071 000 MP071 MP073
 * 162 - SEQ 2 OR 3 MP076-AD4
 * 378 + TP-6A MP074-AG4
 * 163 + SEQ 2 OR 3 MP076-AD4
 * 335 - CLR ALL S/R-SEQ 2 RC 0- MP131-AG4
 * 371 - START CLOCK AT 2 SEQ 2 OR 3- MP065
 * 266 + SEQ 2 OR 3 NOT SEND OS- MP064-AV4
 * 436 + MOVE LTH SET MP076-AW4
 * 446 - LD POLL MSG MP065-AX4
 * 244 - SET MEM CYCLE ALONE MP065-AY4
 * 251 - LD S/R FROM FETS MP126-BH4
 * 361 - SET MEM CYCLE LTH SEQ 2 3- MP065
 * 270 - START CLOCK AT 3- MP066-BV4
 * 134 - START CLOCK 1- MP065-BY4
 MP072
 * 473 + TP-2A MP075-AC4
 * 173 + BYTE CNT 3 MP075-AC4
 * 155 + CPYC RST S/R MP136-AN4
 * 522 - RST CCC CPYC LTHS MP136-AN4
 * 479 + TP-4B MP074-BL4
 * 384 + SELECT OR STOP MP075-BM4
 * 385 - SELECT OR STOP MP075-BM4
 * 410 - END MP075-BT4
 * 511 - SET CHANGE SEQ MP113-BX4
 * 463 - SET WRT POLL MP116-BZ4
 * 467 - SET SEQ 2 MP113-CA4
 * 354 - RST BFR ADR CTR MP035-CC4
 MP073
 * 561 + TP-3A MP076-AA4
 * 485 - SEQ 7 LTH SET MP075-AC4
 * 454 - SEQ 7 NOT BC 0 NOT CS MP074-AK4
 * 421 - SET SEQ 8 MP114-AM4
 * 205 - MOVE TAGS FWD MP074-LP075
 * 235 - GATED RST SEQ 7 MP114-BA4
 * 529 - STEP BYTE CNTR 7 OR 2 OR 5- MP062
 * 567 - STEP BYTE CNTR MP062-BC4
 * 549 + CLR TAGS MP131-BD4
 * 486 - START CLOCK AT 2-SEQ 7 MP065-BG4
 * 285 + RST BC AND TAGS MP074-BH4
 * 289 - RST BYTE CNTR CHANGE SEQ MP062
 * 425 - SET SEQ 6 MP114-CA4
 * 307 + MOVE FORWARD MP075-CH4
 * 185 - RST BC AND TAGS MP074-CL4
 * 430 - SET MPLX OP FINISHED MP012-CR4

LOC. TYPE A-A1H2 2220

PAGE VER EC LEV
MP071 000 717490
MP072 000 718545
MP073 000 718545

SEQ 2030 AND 7 TAG FLUSH E-C-HISTORY-B1-MACH-3272 717471 716956 717490 717955 DATE LAST EC 09-15-72 718545	FRAME 01 IBN CORP-KN PaNo 1823043	MP071 MP073 000
--	---	-----------------------

MP071
MP073
000

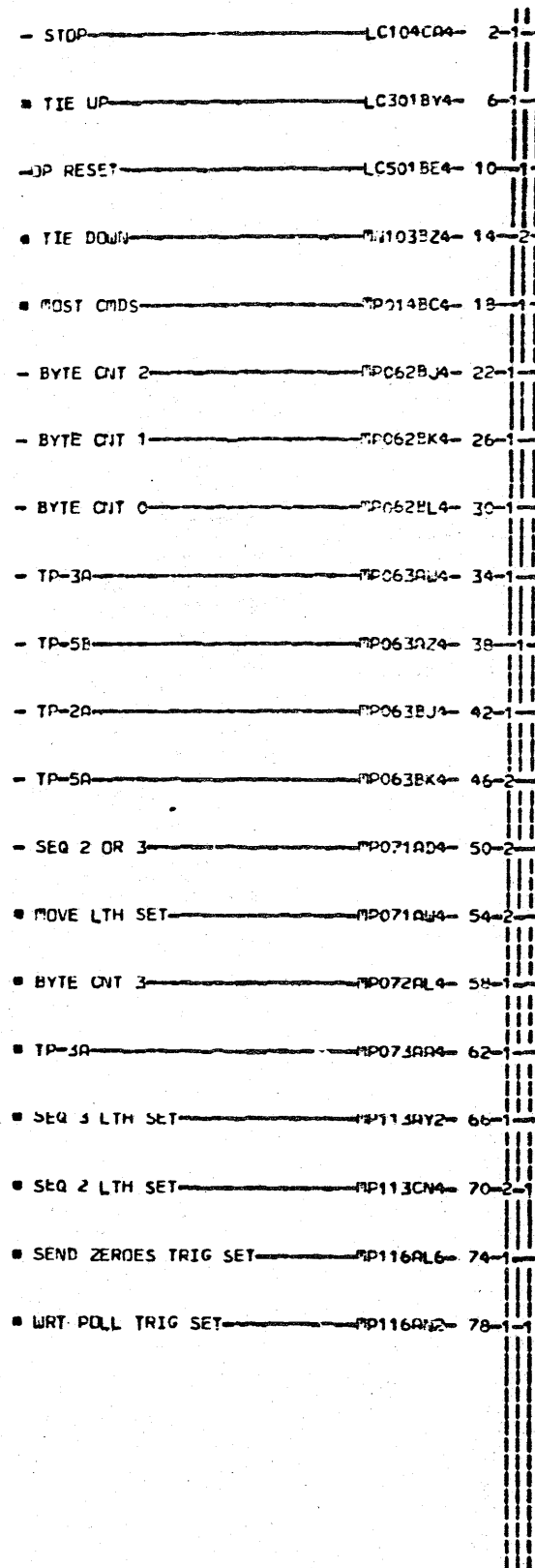


LOC. TYPE
A-A1H2 2220

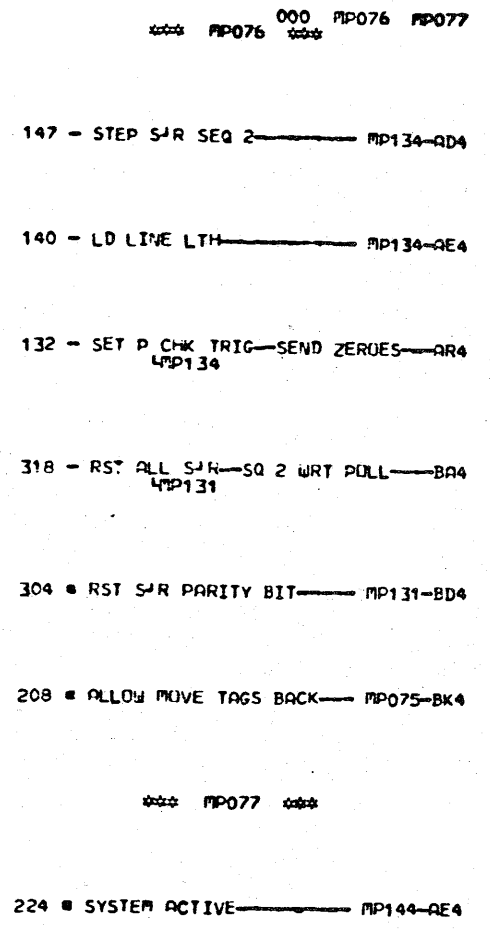
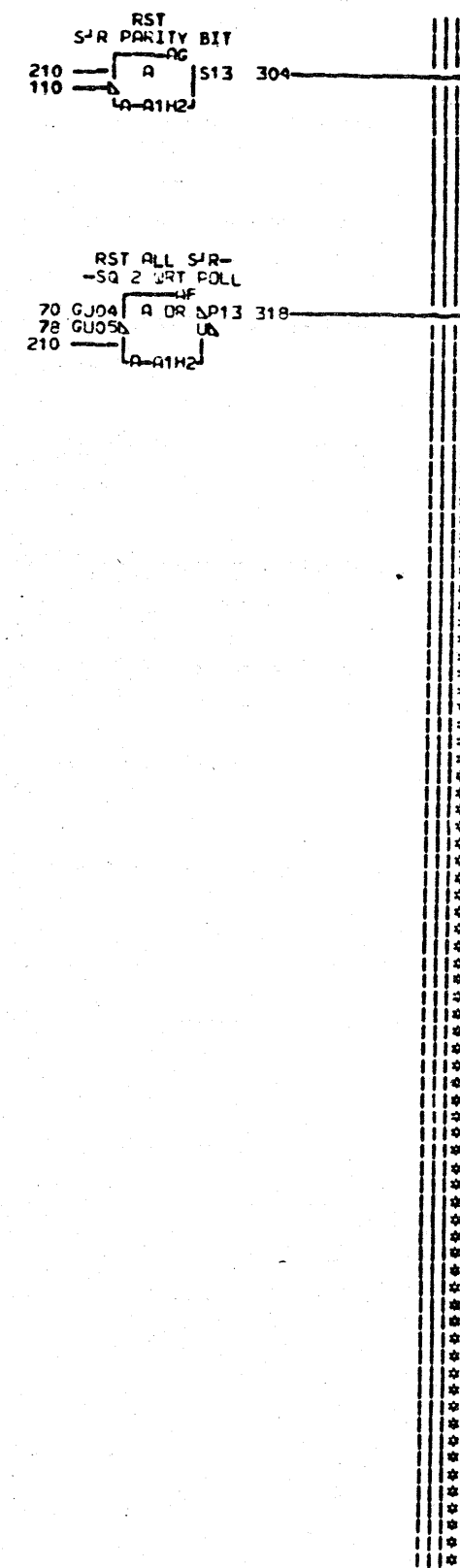
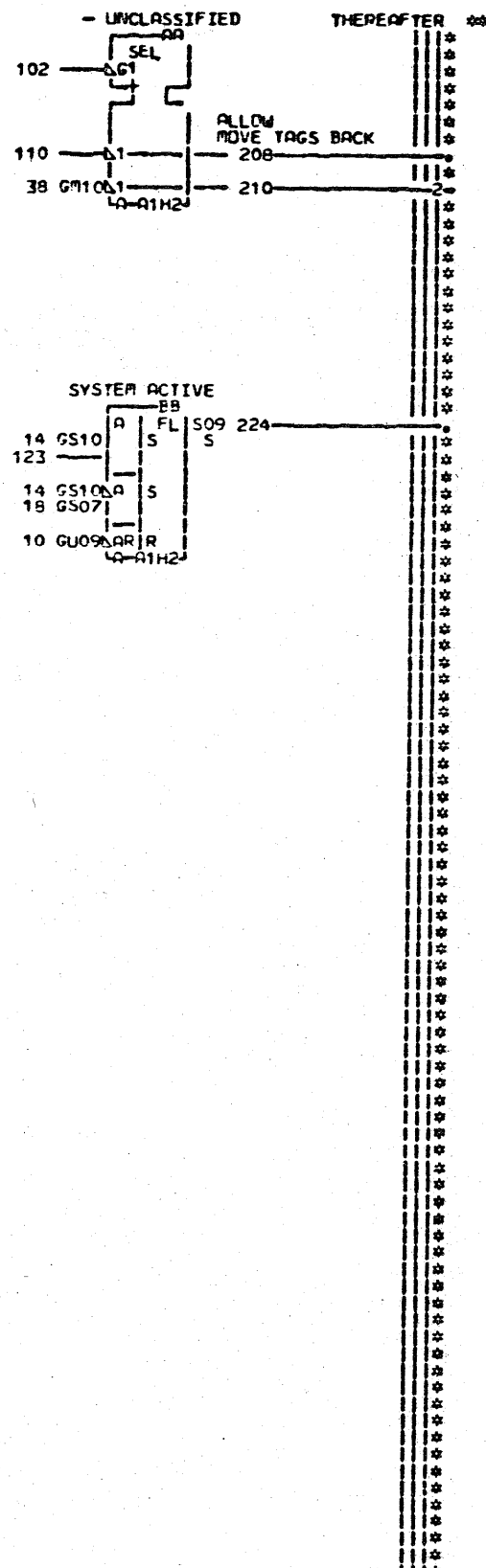
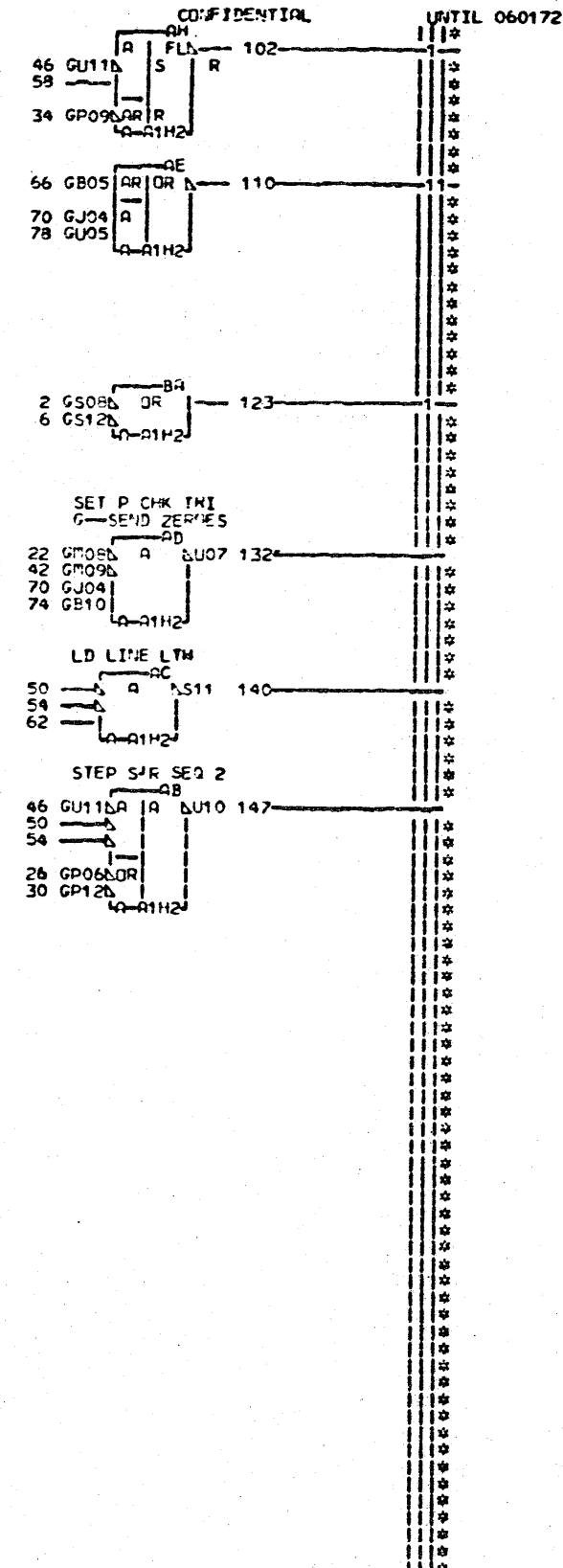
PAGE VER EC LEV
MP074 000 718545
MP075 000 718948

+SEQ 7 TAG FLUSH	
-EoC-HISTORY-	MACH.3272
717471	FRAME 01 MP074
716956	717490
718545	IBM CORP.KN MP075
DATE	LAST EC
12-20-72 718948	PaNo 1824172 000

MP074
MP075
000



IBM



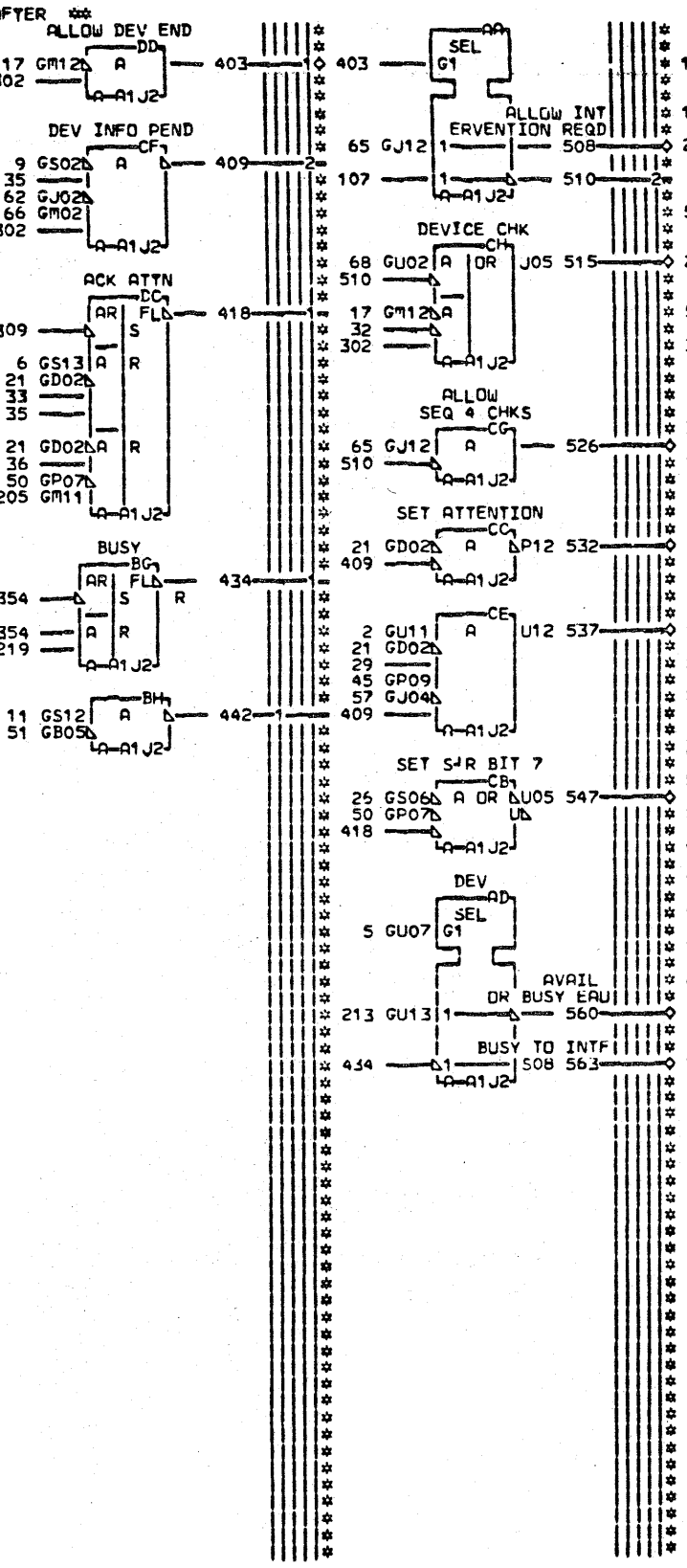
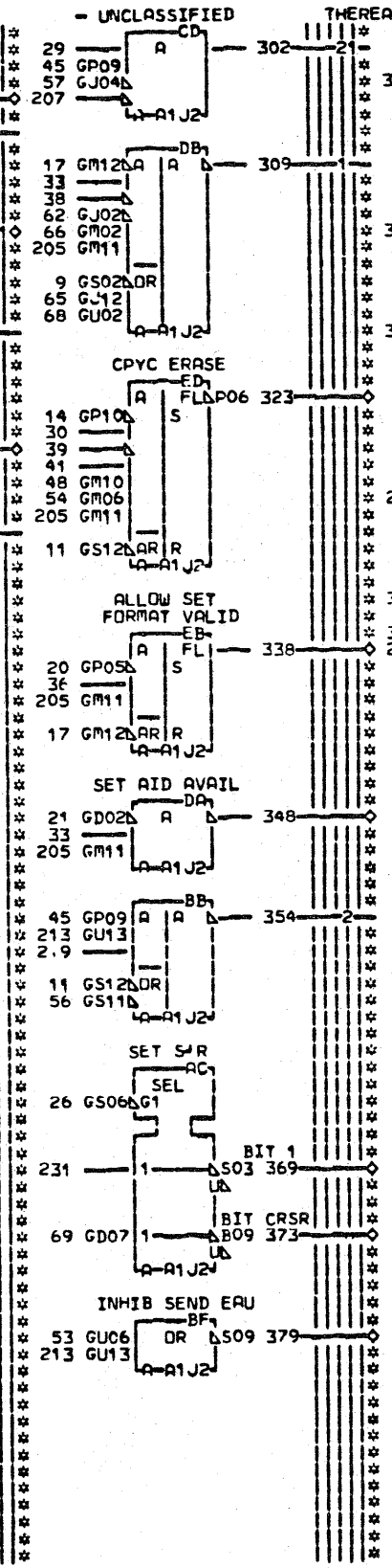
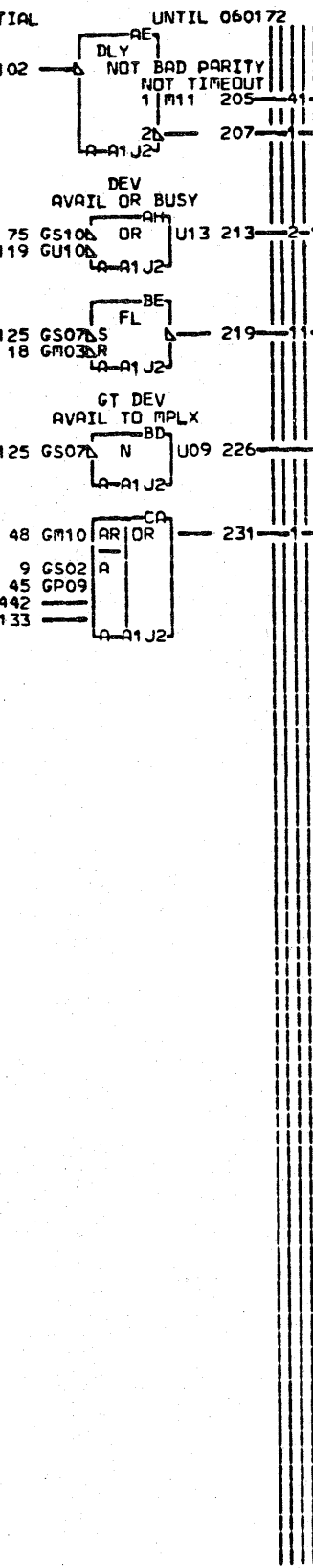
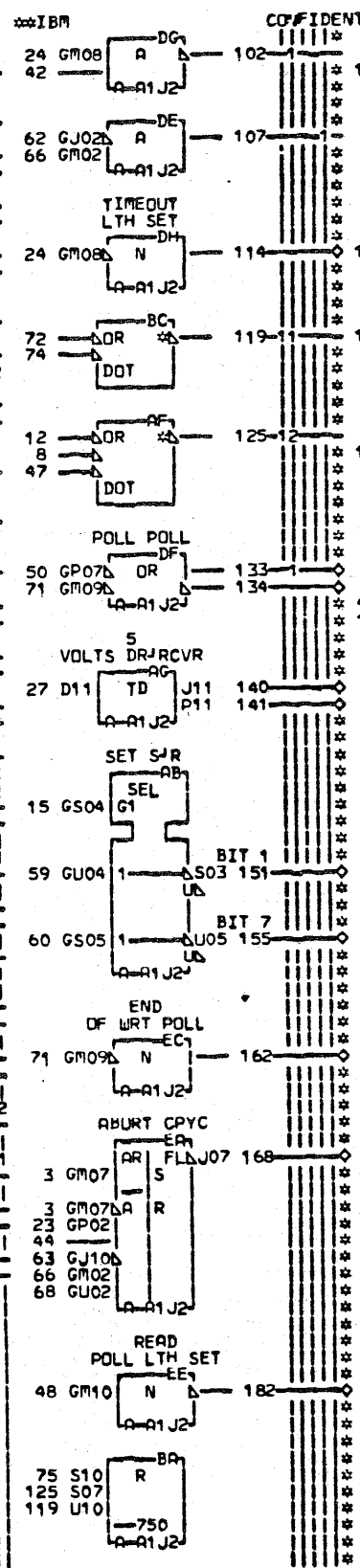
MP076
MP077
000

LOC# TYPE
A-A1H2 2220

PAGE VER EC LEV
MP076 000 717471
MP077 000 718964

SEQ 2 # 3 STEP S/R			
SYSTEM ACTIVE			
ECC-HISTORY - CHMACH03272			
717471			
FRAME	01	MP076	
DATE	LAST EC	IBM CORP	MP077
02-15-73	718964	IPONO 1824173	000

+ TIE UP LC301BY4 2-1-1
 - CPYC CMD LC302BF4 3-2-1
 - ERASE UNPROTECTED CMD LC305AG8 5-1-1
 + TIE DOWN MP103BZ4 6-1-1
 - GT DEV AVAIL TO MPLX MP011BG4 8-1-1
 - RST MPLX LTHS ANY CMD MP014BP4 9-1-1
 + CPYC ADR LTH SET MP025AG4 11-2-1
 - GT DEV AVAIL TO MPLX MP025AN4 12-1-1
 - BAC DECODE 479 MP035BB4 14-1-1
 + GT INPUT REG TO S/R SQ8 WRT MP054BP4 15-1-1
 - TP-3A MP063AW4 17-2-1
 - TP-6A MP063AX4 18-1-1
 - TP-5B MP063AZ4 20-1-1
 - TP-4A MP063BT4 21-1-2
 + LONG TIMEOUT LTH SET MP067AF4 23-1-1
 - TIMEOUT LTH SET MP067AW4 24-2-1
 - LD POLL MSG MP071AX4 26-1-1
 + 5 VOLTS SPECIAL MP081001 27-1-1
 + SEQ 4 BC 1 POLL NOT RETRY MP088AK4 29-1-1
 + BYTE CNT 0 MP088BA4 30-1-1
 - XMIT CHK END OR WRT POLL MP088BL4 32-1-1
 + SEQ 4 BC 1 POLL MP088BQ4 33-2-1
 - INHIB ATTN MP088BR4 35-2-1
 + SEQ 4 BC 0 MP088BS4 36-1-1
 - PRI CNTR LDD LTH SET MP088BU4 38-1-1
 - 480 TO 1920 MP090BE2 39-1-1
 + TP-5A MP090BG4 41-1-1
 - BAD PARITY LTH SET MP091AX4 42-1-1
 + SEQ 4 BC 0 TP 5A MP091CQ4 44-1-1
 + PRI CNTR LDD LTH SET MP101CC4 45-1-2
 - GT DEV AVAIL TO MPLX MP104BN4 47-1-1
 + RD POLL LTH SET MP107AR2 48-1-1
 - POLL TGR SET MP107AS2 50-1-1
 - AFTER FETCH LTH SET MP107AT6 51-1-1
 + INITIAL POLL TRIG SET MP107BA2 53-1-1
 + SEQ 4 LTH SET MP113CK4 54-1-1
 + SEQ 5 LTH SET MP114BA2 56-1-1
 + INHIB IRPT LTH SET MP116BL4 57-1-1
 + BIT 1 TO INTF MP121BL4 59-1-1
 + BIT 7 TO INTF MP123AU4 60-1-1
 + S/R BIT CRSR MP131AY2 62-1-1
 + S/R BIT 3 MP131BC2 63-1-1
 + S/R BIT PARITY MP131BD2 65-1-2
 + S/R BIT 2 MP131BE2 66-2-1
 + S/R BIT CNTL POWERED MP131BG4 68-1-1
 + SEND WORD 2 MP146AS4 69-1-1
 - END OF WRT POLL MP146AZ4 71-2-1
 - DEV AVAIL OR BUSY 0 1 2 3 MP271BE4 72-1-1
 - DEV AVAIL OR BUSY 4 5 6 7 MP281BE4 74-1-1
 - DEV AVAIL OR BUSY 8 THRU 31 MP291AA3 75-1-1



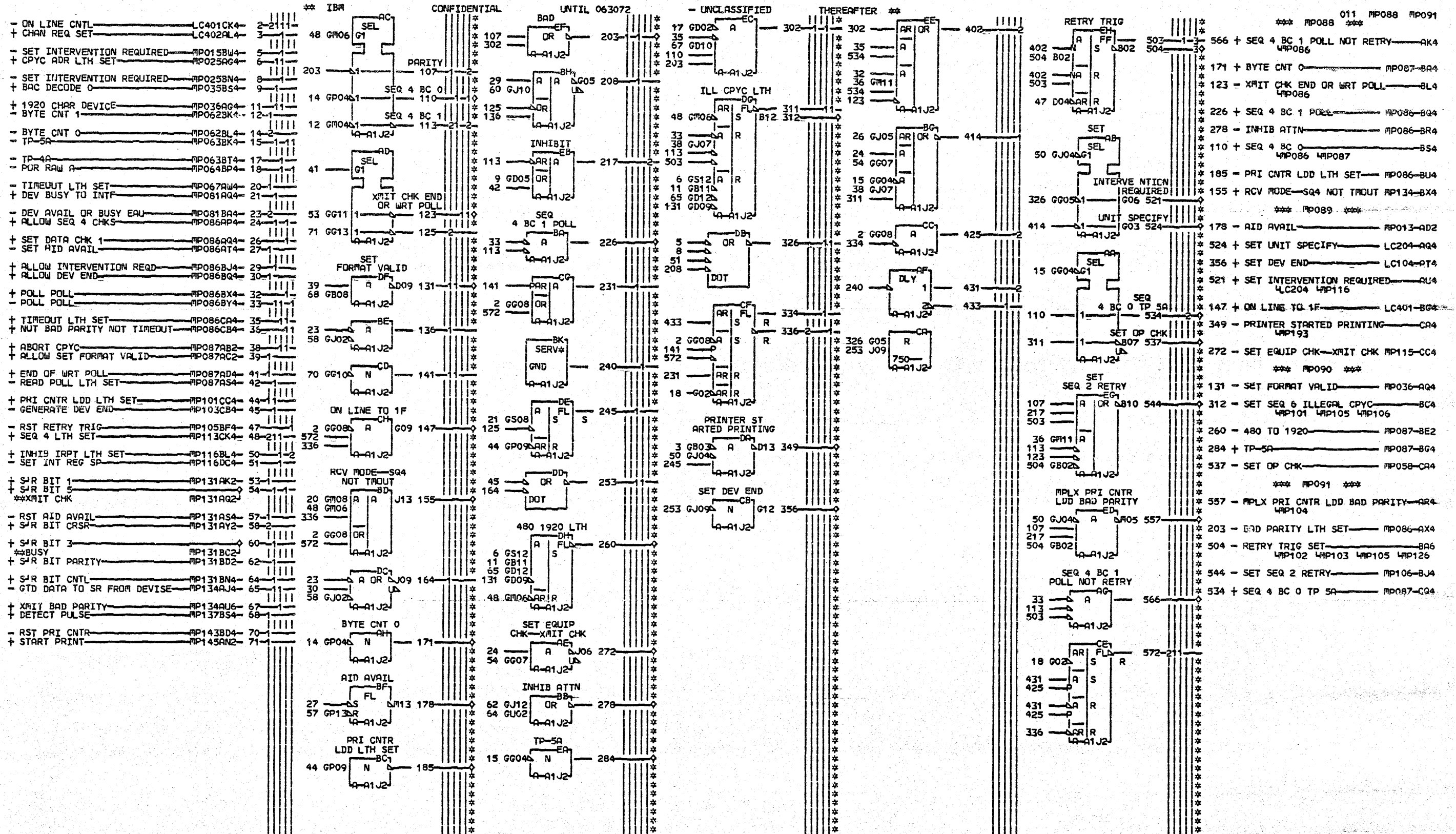
000 MP081 MP087
 + 140 + 5 VOLTS DRJRCVR AB2
 LMP272 LMP282 LMP291
 + 141 + 5 VOLTS BYPASS SEL DUT- LC404-AB4
 + 213 + DEV AVAIL OR BUSY AM4
 LMP015 LMP025 LMP101 LMP102
 LMP103 LMP104
 + 563 + DEV BUSY TO INTF AQ4
 LMC103 LMC305 LMP089 LMP116
 + 226 + GT DEV AVAIL TO MPLX AV4
 LMP271 LMP281 LMP291
 + 560 - DEV AVAIL OR BUSY EAU MP089-BA4
 + 379 - INHIB SEND EAU BN4
 LMP144 LMP147
 + 369 - SET S/R BIT 1 MP132-AE4
 + 151 - SET S/R BIT 1 MP132-AF4
 + 373 - SET S/R BIT CRSR MP133-AG4
 + 547 - SET S/R BIT 7 MP133-AH4
 + 155 - SET S/R BIT 7 MP133-AJ4
 + 537 #NOT USED + NO ATTENTION AF4
 + 526 + ALLOW SEQ 4 CHKS MP089-AP4
 + 515 + SET DATA CHK 1 AQ4
 LMP089 LMP115
 + 348 - SET AID AVAIL MP089-AT4
 + 508 + ALLOW INTERVENTION REQD MP089-BJ4
 + 532 - SET ATTENTION LC203-BP4
 + 403 + ALLOW DEV END MP089-BQ4
 + 133 + POLL POLL MP091-BX4
 + 134 - POLL POLL MP088-BY4
 + 114 + TIMEOUT LTH SET MP091-CA4
 + 205 + NOT BAD PARITY NOT TIMEOUT CB4
 LMP091 LMP102 LMP103
 + 168 + ABORT CPYC AB2
 LMP090 LMP103
 + 338 + ALLOW SET FURMAT VALID MP090-AC2
 + 162 + END OF WRT POLL AD4
 LMP088 LMP089
 + 323 - CPYC ERASE LTH SET AR2
 LMP024 LMP026 LMP027 LMP071
 LMP105
 + 182 - READ POLL LTH SET MP091-AS4

LOC. TYPE
A-A1J2 9129

PAGE VER EC LEV
 MP081 000 718941
 MP085 000 717490
 MP086 000 717950
 MP087 000 717490

SEQUENCE 40 DEVICE AVAILABLE			
GATING TO S/R			
-E.C.-HISTORY- MACH-3272			
717471	717950	FRAME	01
716956		IBM CORP-KN	MP087
717483			
717490			
DATE	LAST EC		
11-02-72	718941	P.No	1823045
			000

MP081
 MP087
 000



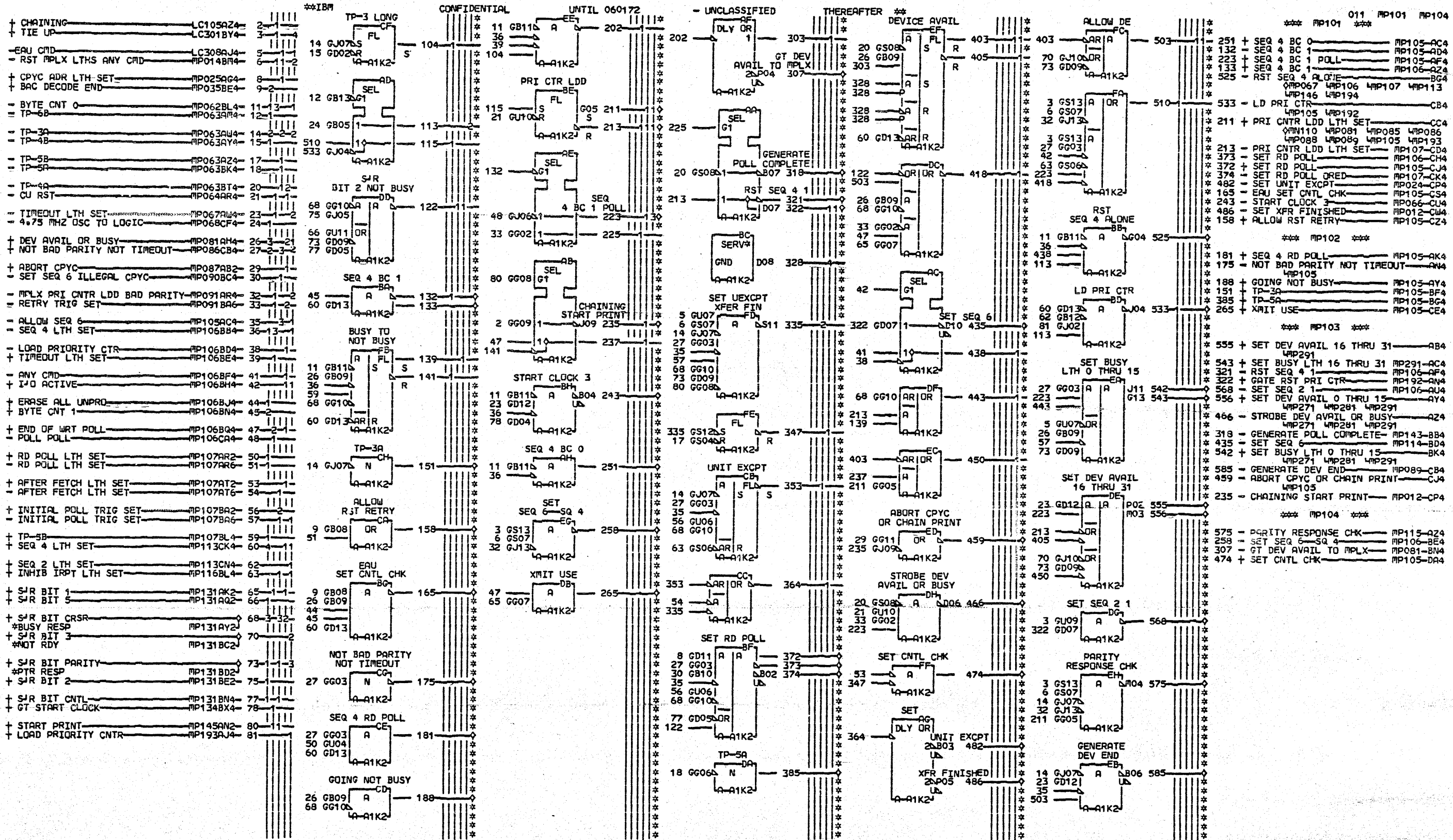
A.SIM TO PN 1564215 EC 717471
 B.SIM TO PN 1564217 EC 717955
 C.SIM TO PN 1564218 EC 717490
 D.SIM TO PN 1564219 EC 747510

LOC. TYPE
 A-1J2 9129

PAGE VER EC LEV
 MP088 011 743326
 MP089 011 744148
 MP090 011 744148
 MP091 011 747510

SEQ 4 CHK GENERATION
 DECODE NULL
 E-C-HISTORY E-MACH-3272
 741257
 743326 FRAME 01 MP088
 744148
 743328 IBM CORP-KN MP091
 DATE LAST EC
 05-03-78 747510 PoN. 1746545 011

MP088
 MP091
 011



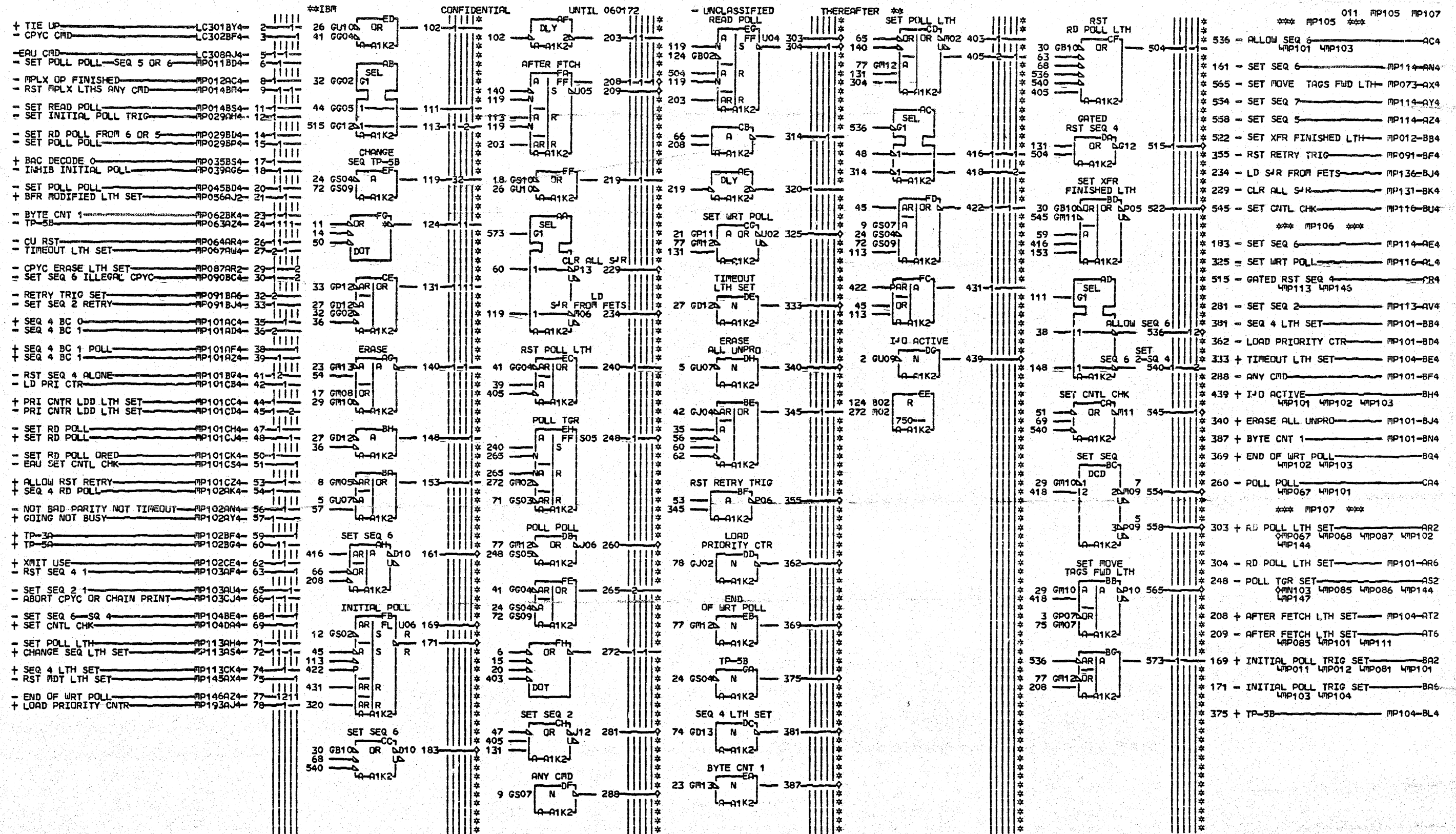
A.SIM TO PN 1564220 EC 747510
 B.SIM TO PN 1564221 EC 747510
 C.SIM TO PN 1564222 EC 747510
 D.SIM TO PN 1564223 EC 747510

MP101
 MP104
 011

LOC. TYPE
 A-A1K2 2221

PAGE VER EC LEV
 MP101 011 747510
 MP102 011 747510
 MP103 011 747510
 MP104 011 747510

SEQUENCE 4
 E.C. HISTORY MACH. 3272
 741257
 744148 FRAME 01 MP101
 743328 IBM CORP. KN MP104
 DATE LAST EC
 05-03-78 747510 PaN. 1746546 011



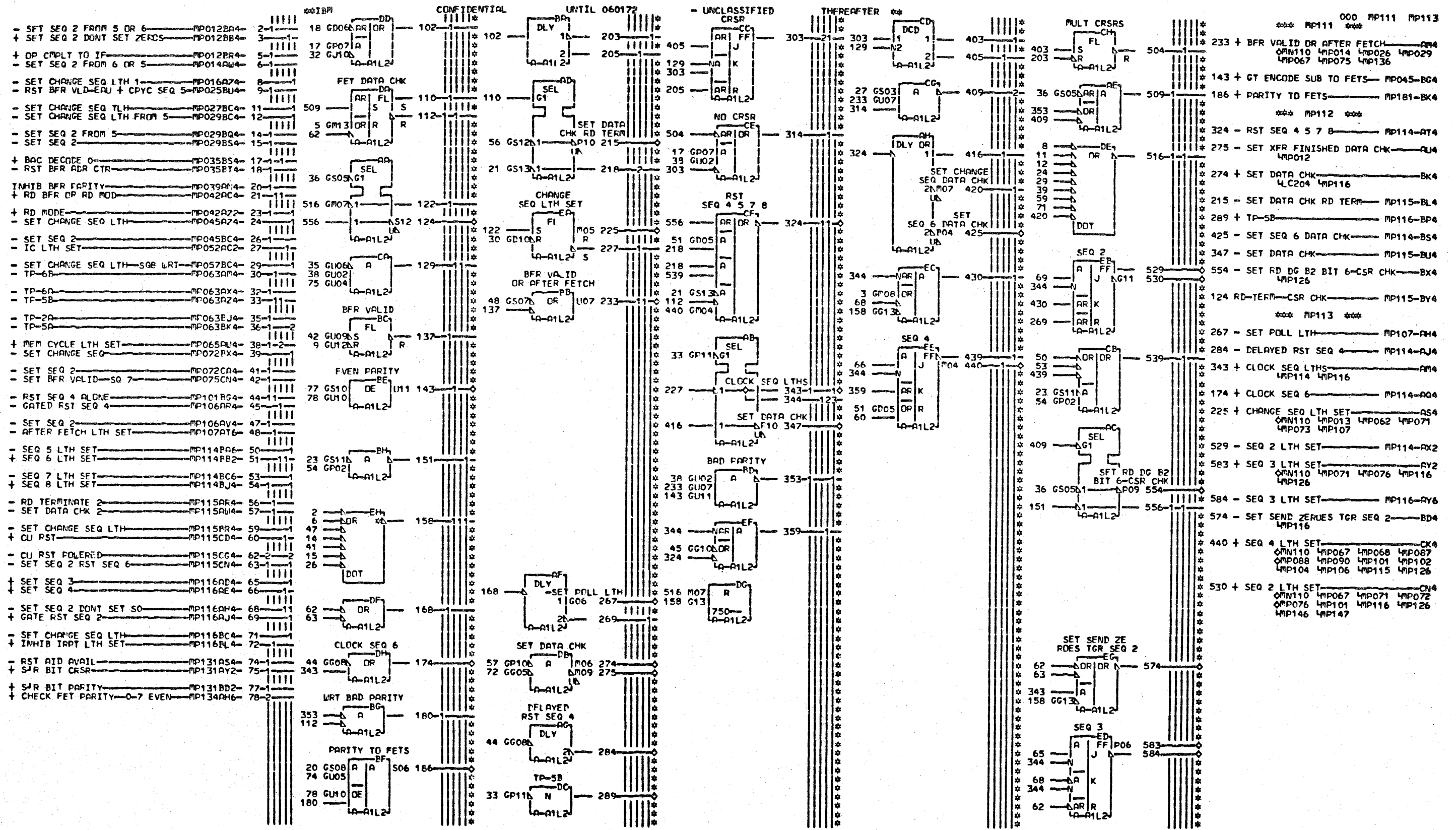
A.SIM TO PN 1564224 EC 747510
 B.SIM TO PN 1564225 EC 741779
 C.SIM TO PN 1564226 EC 747510

LOC. TYPE
 A-A1K2 2221

PAGE VER EC LEV
 MP105 011 747510
 MP106 011 744148
 MP107 011 747510

SEQUENCE 4 + POLL LATCHES			
E.C.	HISTORY	E	MACH.3272
741257			
744148		FRAME	04 MP105
		IBM CORP.	KN MP107
DATE	LAST EC	P.N.	1746547 011
05-03-78	747510		

MP105
 MP107
 011



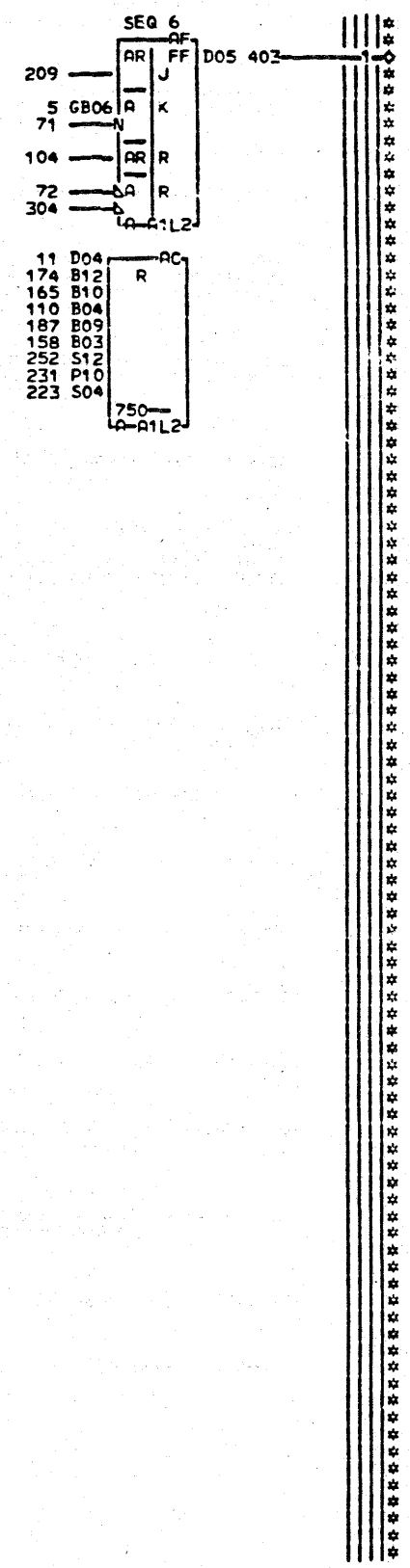
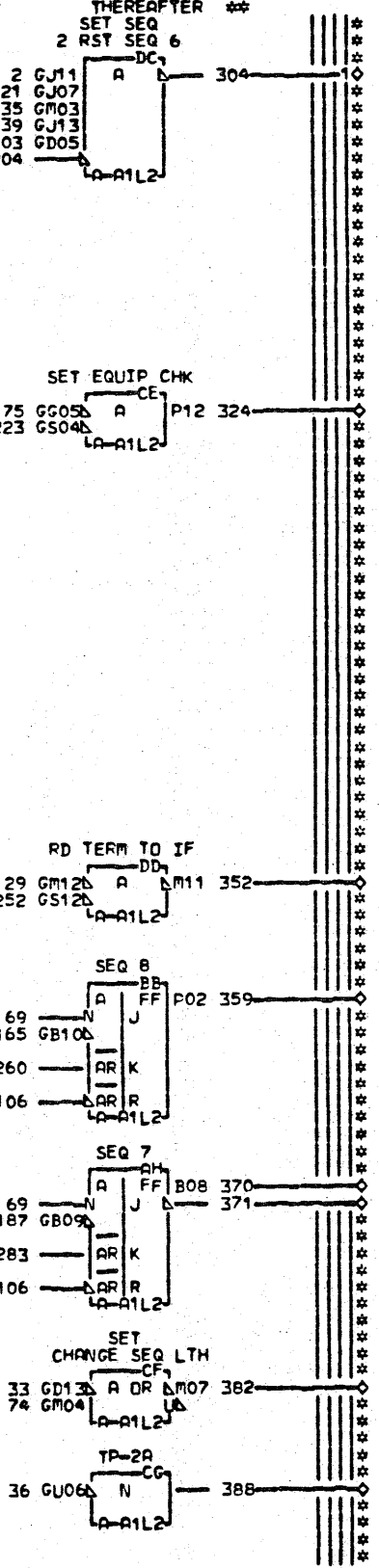
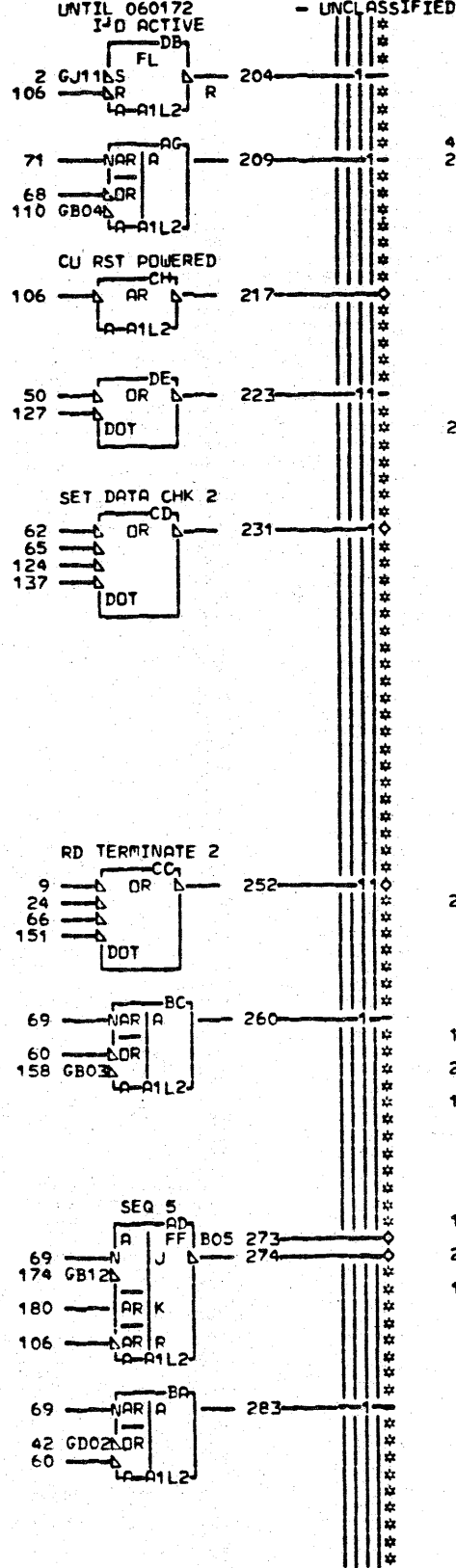
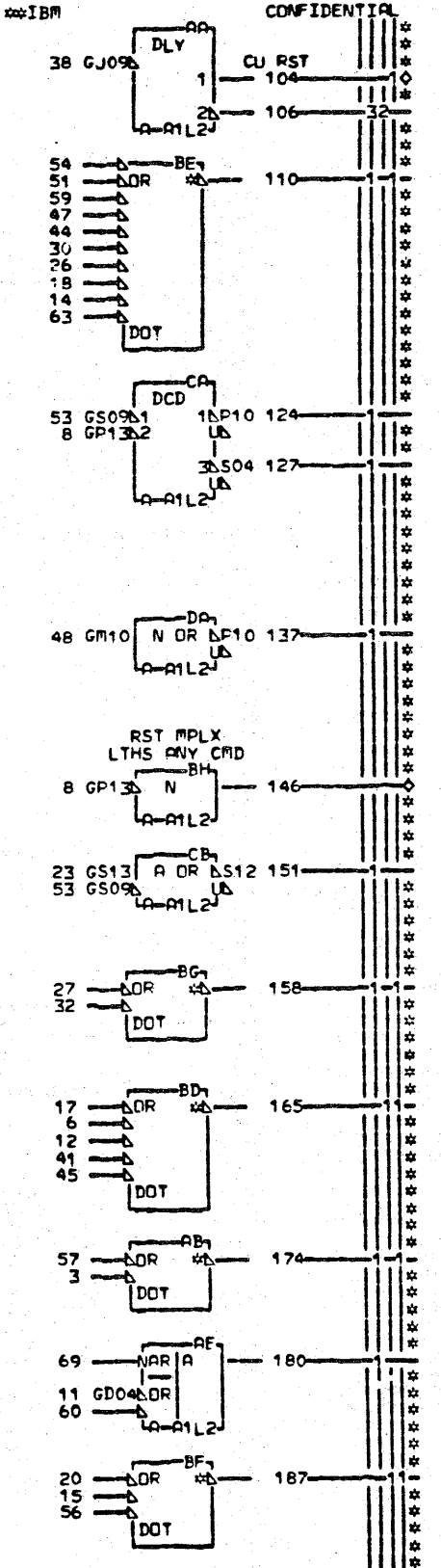
LDC TYPE
A-A1L2 9085

PAGE VER EC LEV
MP111 000 717955
MP112 000 717955
MP113 000 717955

PARITY AND CURSOR CHECKING			
CHANGE SEQ LATCH AND SEQ LATCH			
E.C. HISTORY		PACH#3272	
717471	717950	FRAME	01 MP111
716956			
717483			
717490		IBM CORP#KN	MP113
DATE	LAST EC		
07-12-72	717955	P#No	1823053 000

MP111
MP113
000

+ TIE UP LC301BY4 2-11
 - SET SEQ 5 MP011BA4 3-1
 + GATED RST SEQ 6 MP014AV4 5-1
 - SET SEQ 8 FROM 6 OR 5 MP014AX4 6-1
 - RST MPLX LTHS ANY CMD MP014BM4 8-2
 - RD TERM 2 MP016BC4 9-1
 - RST SEQ 5 1 MP025GE4 11-1
 - SET SEQ 8 MP027AP4 12-1
 - SET SEQ 6 MP027AT4 14-1
 - SET SEQ 7 MP027BH4 15-1
 - SET SEQ 8 FROM 5 MP029AN4 17-1
 - SET SEQ 6 FROM SEQ 5 MP029BE4 18-1
 - SET SEQ 7 FROM 5 MP029BR4 20-1
 - INHIB INITIAL POLL MP039AG6 21-1
 + RD BFR OR RD MOD MP042AC4 23-1
 - RD TERM 1 MP044AU4 24-1
 - SET SEQ 6-SEQ 8 RD MP044AW4 26-1
 - GATED RST SEQ 8 MP045AY4 27-1
 + STOP LTH SET MP051BL4 29-1
 - SET SEQ 6-SEQ 8 WRT MP057BD4 30-1
 - GATED RST SEQ 8 WRT MP057BE4 32-1
 - BYTE CNT 1 MP062BK4 33-1
 - SHORT TIMEOUT MP062BM4 35-1
 - TP-2A MP063BJ4 36-1
 - CU RST MP064AR4 38-1
 - TIMEOUT LTH SET MP067AW4 39-1
 - SET SEQ 8 MP073AM4 41-1
 - GATED RST SEQ 7 MP073BA4 42-1
 - SET SEQ 6 MP073CA4 44-1
 - SET SEQ 8-2 MP075BM4 45-1
 - SET SEQ 6-SEQ 7 MP075BN4 47-1
 + SET DATA CHK 1 MP086AQ4 48-1
 - SET EQUIP CHK-XMIT CHK MP089CC4 50-1
 - SET SEQ 6 MP103BT4 51-1
 - PARITY RESPONSE CHK MP104AZ4 53-2
 - SET SEQ 6 MP105AN4 54-1
 - SET SEQ 7 MP105AY4 56-1
 - SET SEQ 5 MP105AZ4 57-1
 - SET SEQ 6 MP106AE4 59-1
 - RST SEQ 4 5 7 8 MP112AT4 60-1
 - SET DATA CHK RD TERM MP112BL4 62-1
 - SET SEQ 6 DATA CHK MP112BS4 63-1
 - SET DATA CHK MP112BU4 65-1
 - RD-TERM-CSR CHK MP112BY4 66-1
 + DELAYED RST SEQ 4 MP113AJ4 68-1
 + CLOCK SEQ LTHS MP113AM4 69-1
 + CLOCK SEQ 6 MP113AQ4 71-1
 - SEQ 2 LTH SET MP113AX2 72-1
 + SEQ 4 LTH SET MP113CK4 74-1
 + INHIB IRPT LTH SET MP116BL4 75-1



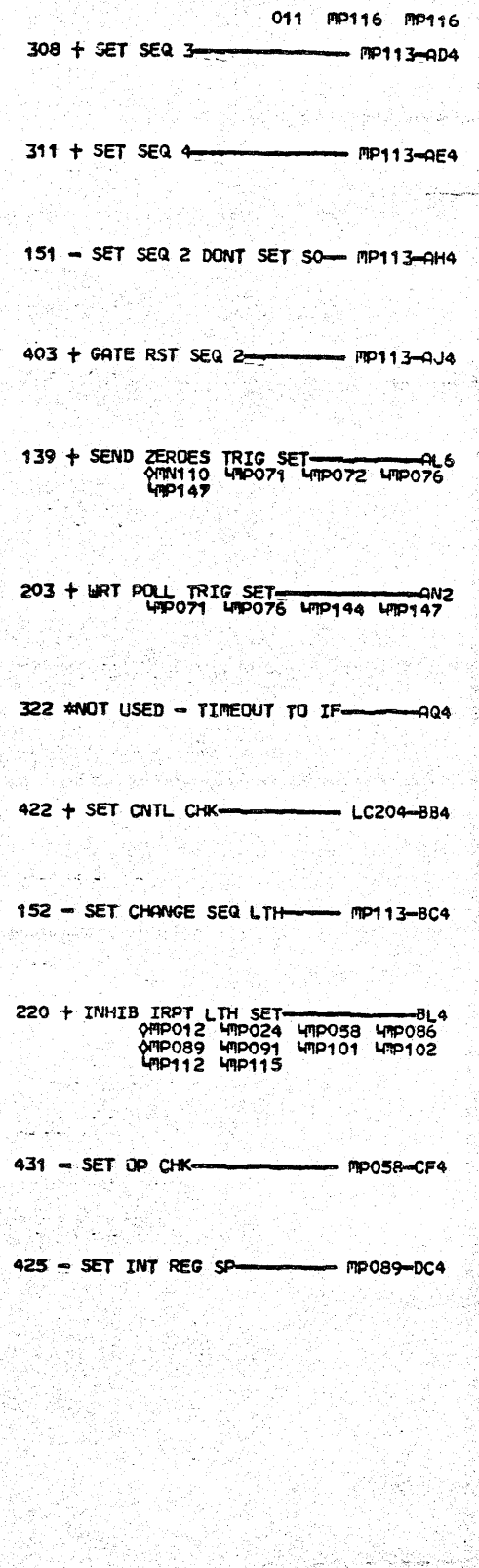
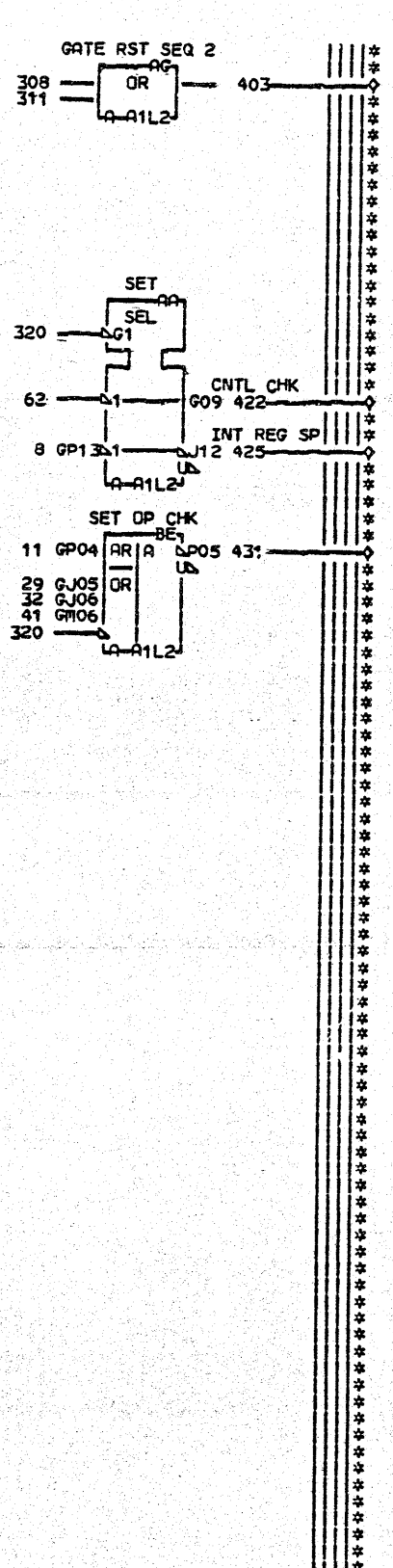
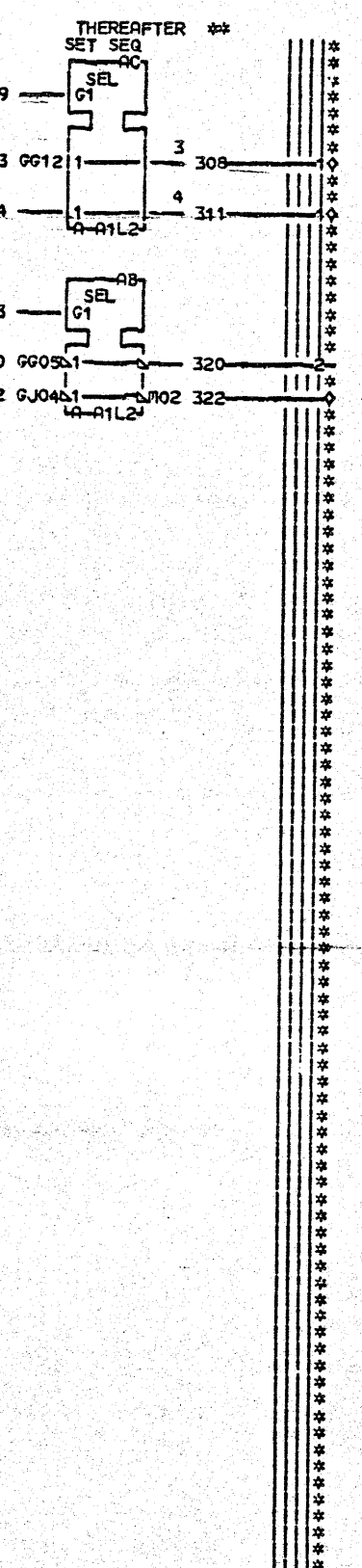
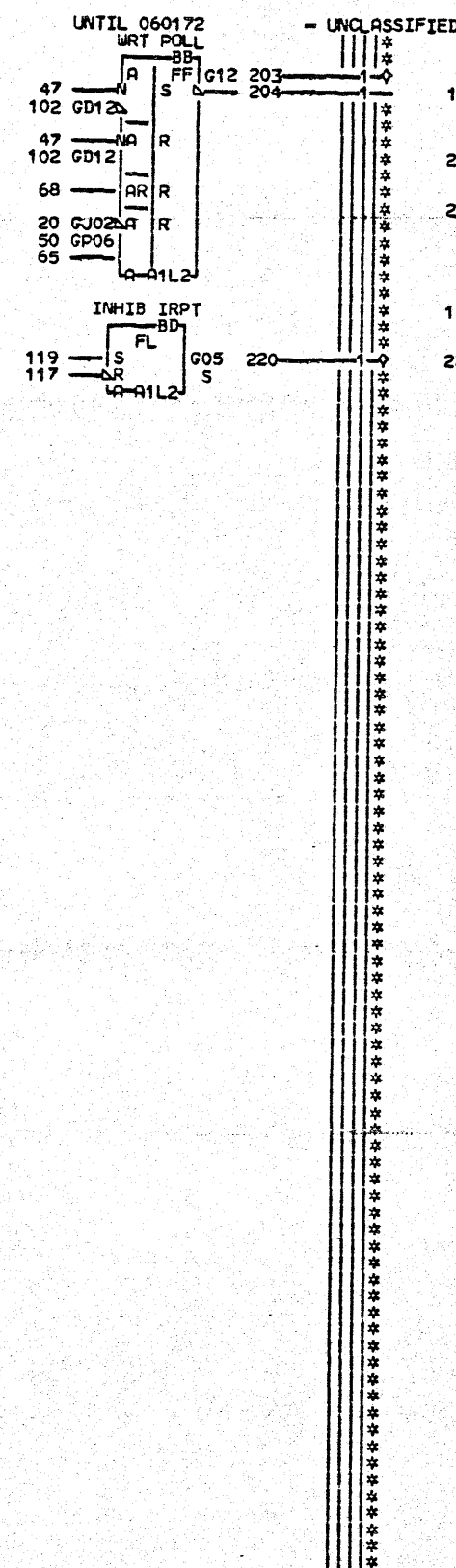
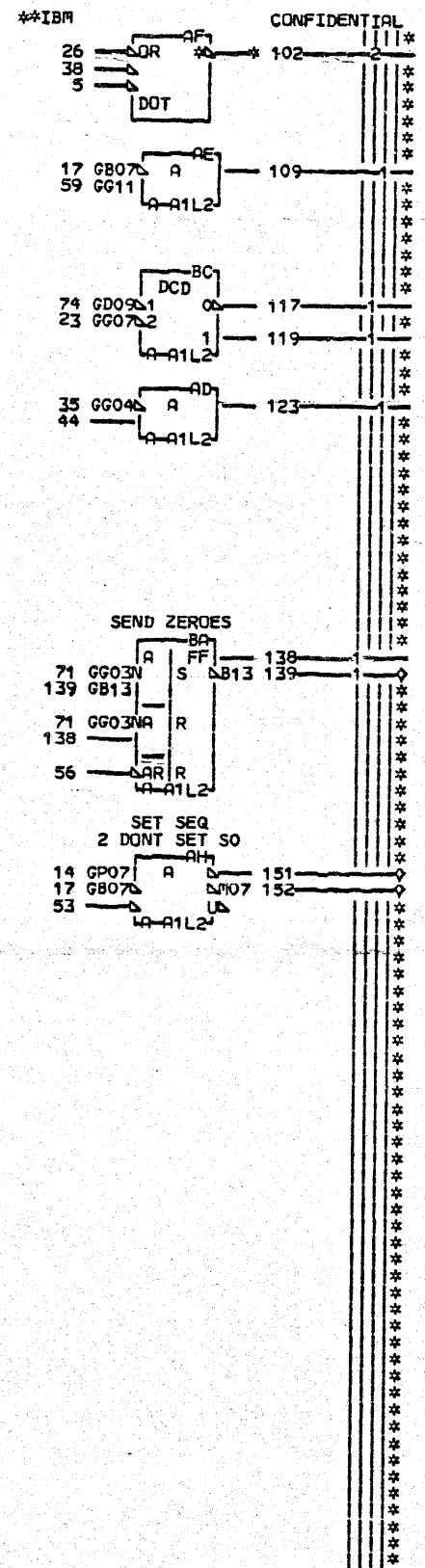
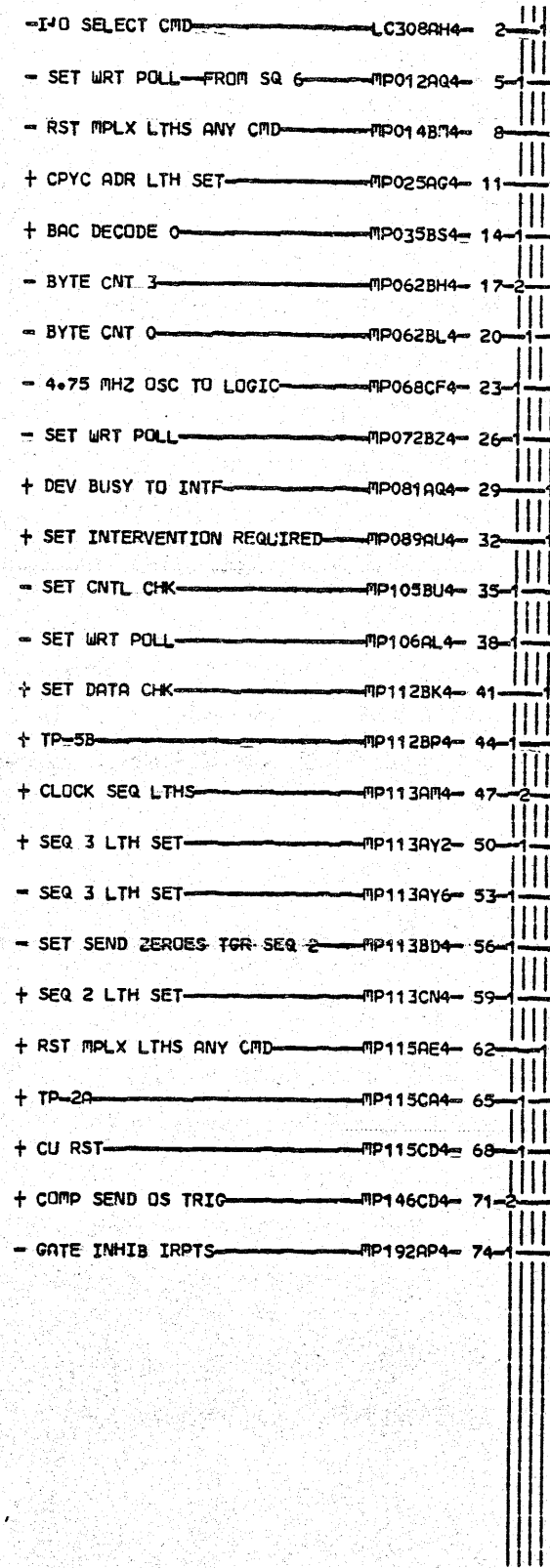
000 MP114 MP115
 273 + SEQ 5 LTH SET MP112-BA6
 274 - SEQ 5 LTH SET MP112-BA6
 403 + SEQ 6 LTH SET MP112-BB2
 370 + SEQ 7 LTH SET MP112-BC2
 371 - SEQ 7 LTH SET MP112-BC6
 359 + SEQ 8 LTH SET MP112-BJ4
 146 + RST MPLX LTHS ANY CMD MP116-AE4
 252 - RD TERMINATE 2 MP112-AR4
 231 - SET DATA CHK 2 MP112-AWA
 324 + SET EQUIP CHK LC204-AX4
 382 - SET CHANGE SEQ LTH MP113-BR4
 388 + TP-2A MP116-CA4
 104 + CU RST LMP113 LMP116 CD4
 217 - CU RST POWERED LMP112 LMP113 CG4
 352 - RD TERM TO IF LC102-CK4
 304 - SET SEQ 2 RST SEQ 6 MP113-CWA

MP114
 MP115
 000

LDC TYPE A-1L2 9085

PAGE VER EC LEV
 MP114 000 718550
 MP115 000 717955

SEQUENCE LATCHES CHECK GENERATION		E.C. HISTORY		MACH#3272	
717471	717955	FRAME	01	MP114	
717483		IBM CORP	KN	MP115	
717490					
717950					
DATE	LAST EC	P.No	1823054	000	
10-31-72	718550				

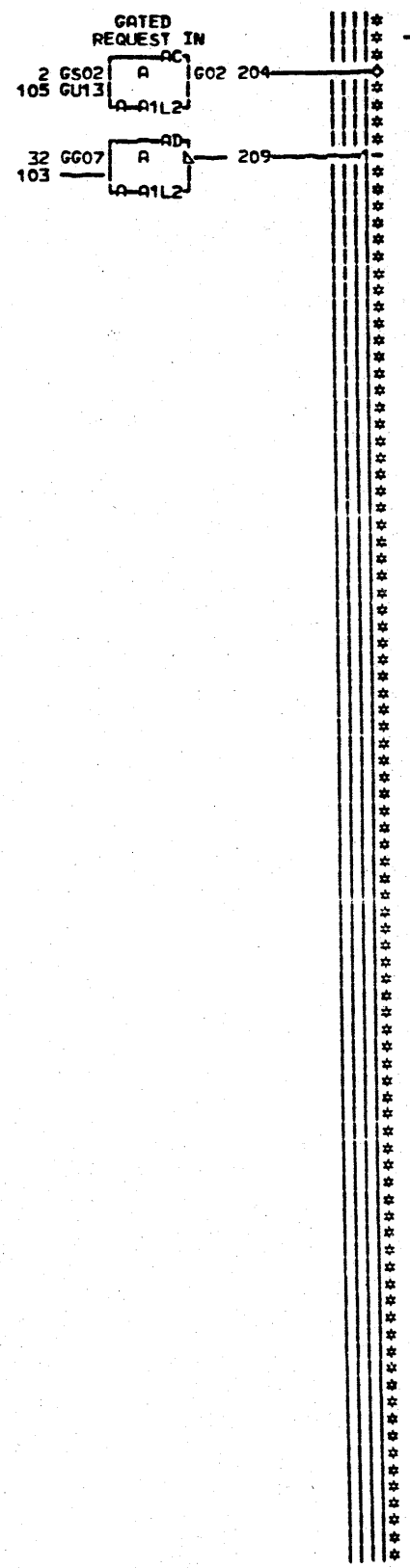
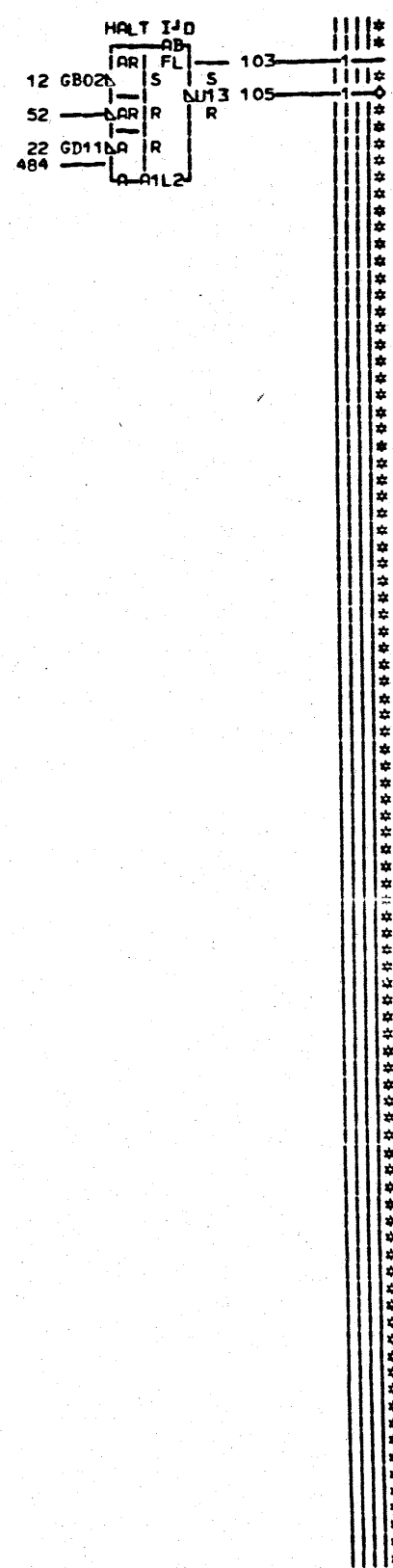
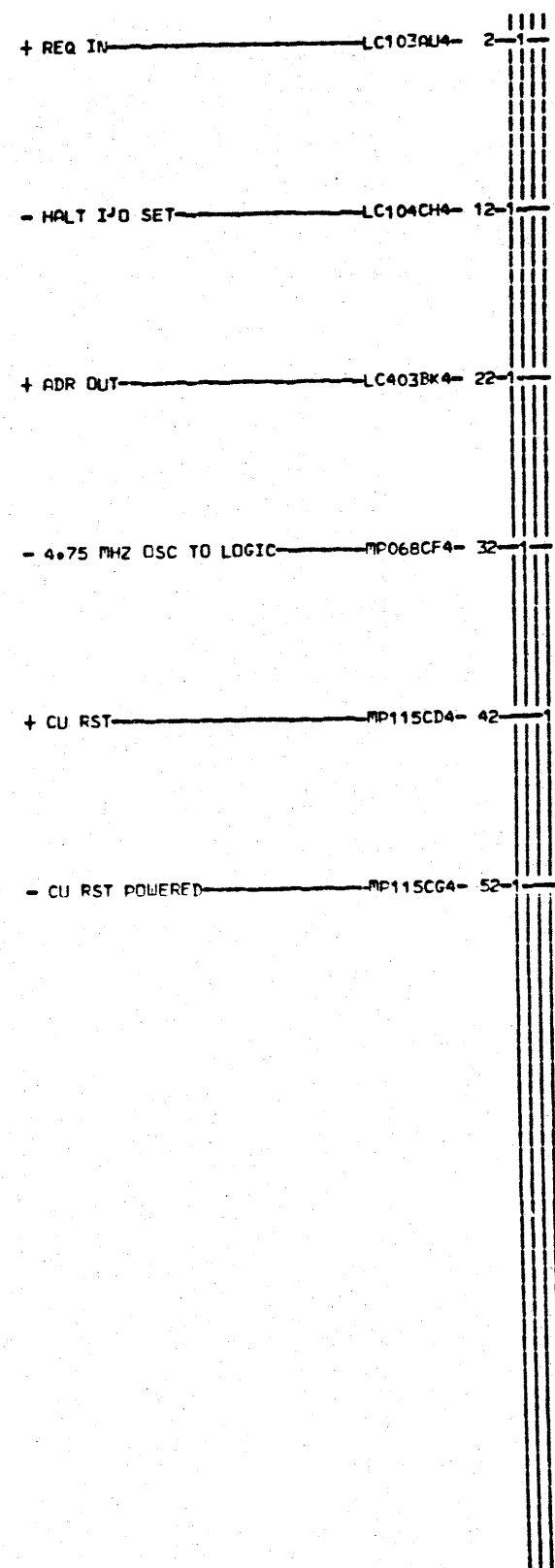


EDGE CONN.
102 RESISTOR
A-A1L2D12

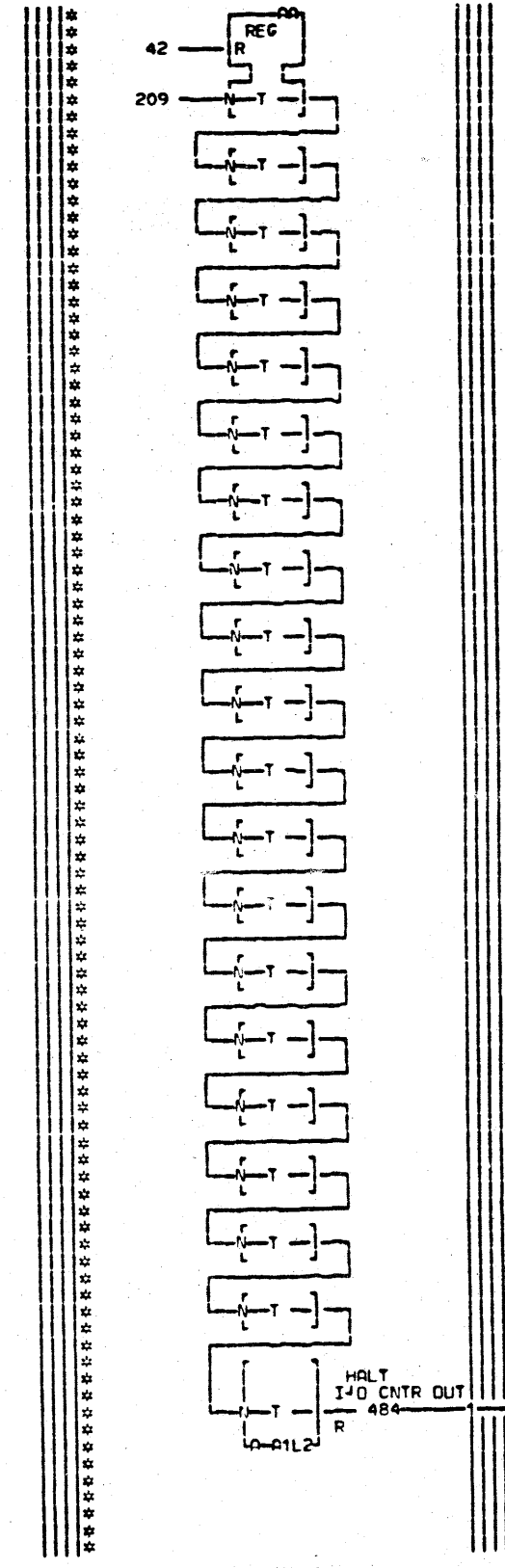
LOC. TYPE
A-A1L2 9085

PAGE VER EC LEV
MP116 011 747510

SEND ZEROS AND WRT POLL TRIG			
E.C. HISTORY	E MACH. 3272		
741257	FRAME	01	MP116
744148	IBM CORP. KN	MP116	
DATE	LAST EC	P.N.	1746550 011
05-03-78	747510		



-BLANK COLUMN-



000 RP117 RP118
*** RP117 ***

105 - HALT I/O USE - MP143-AD4

204 + GATED REQUEST IN - AF4
LC003 LC401 LC402 LC405

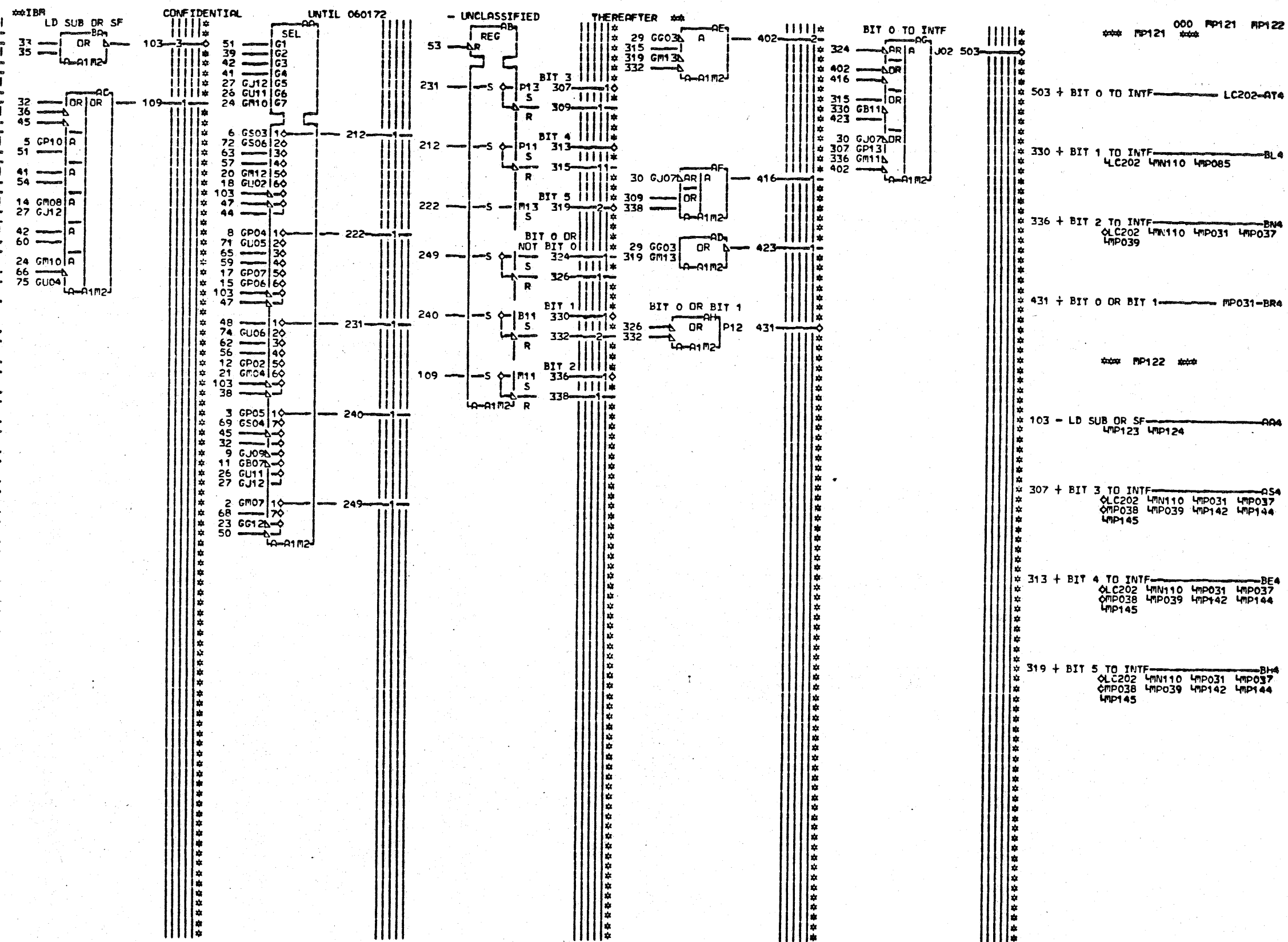
RP117
RP118
000

LCC TYPE
A-A1L2 X458

PAGE VER EC LEV
MP117 000 717950
MP118 000 717950

HALT I/O CONTROL COUNTER			
E.C. HISTORY	FRAC# 3272		
717490		FRAME 01	RP117
DATE	LAST EC	IBA CORP.	RP118
07-10-72	717950	P.No. 1566325	000

+ DATA OUT 0 LC301BF4 2-1
 + DATA OUT 1 LC301BG4 3-1
 + DATA OUT 2 LC301BH4 5-1
 + DATA OUT 4 LC301BK4 6-1
 + DATA OUT 5 LC301BL4 8-1
 - LD RD DIAG BYTE 1 MP016AP4 9-1
 - LD RD DIAG BYTE 2 MP016AQ4 11-1
 + BFR ADR CTR 16 IN MP034AF2 12-1
 + BFR ADR CTR 32 MP034AJ2 14-1
 + BFR ADR CTR 256 MP034AK2 15-1
 + BFR ADR CTR 4 MP034AL2 17-1
 + BFR ADR CTR 512 MP034AN2 18-1
 + BFR ADR CTR 8 MP034AP2 20-1
 + BFR ADR CTR 1024 MP034AR2 21-1
 - LD STX-TEST REQ BYT 4 MP041BB4 23-1
 + GT DATA TO IJR MP045AL4 24-1
 + GT ADR BYTE 1 TO IJR MP047BE4 26-2
 + GT ADR BYTE 2 TO IJR MP047BF4 27-12
 + BIT 6 TO INTF MP123AS4 29-2
 + BIT 7 TO INTF MP123AU4 30-1
 + GT AID TO IJR MP124AA4 32-1
 + LD SUB CHAR MP124AB4 33-1
 + LD SF MP124AC4 35-1
 - LD SUB CHAR MP124AE4 36-1
 - LD SBA MP124AF4 38-1
 + GT DATA OR AID TO IJR MP124AH4 39-1
 + GT DIAG BYTE 1 MP124AJ4 41-1
 + GT DIAG BYTE 2 MP124AK4 42-1
 + LD PTR AID MP124AL4 44-1
 - LD PERCENT OR SLASH MP124AN4 45-1
 - LD PERCENT MP124AP4 47-2
 + DATA OUT 3 GATED MP124AS4 48-1
 - LD SBA SOH SF OR SUB MP124AV4 50-1
 + LOAD IJR FROM 1F MP125AB4 51-1
 - RST INPUT REG MP125AQ4 53-1
 + DIAG BIT 2 BYTE 1-SEQ 2 MP126AB2 54-1
 + DIAG BIT 3 BYTE 1-SEQ 3 MP126AC2 56-1
 + DIAG BIT 4 BYTE 1-SEQ 4 MP126AD2 57-1
 + DIAG BIT 5 BYTE 1-SEQ 5 MP126AE2 59-1
 + PG BIT 2 BYTE 2-CMD MEM CYC MP126AP2 60-1
 + DIAG BIT 3 BYTE 2-LCC OR CC MP126AQ4 62-1
 + DIAG BIT 4 BYTE 2-ORD DECOD MP126AR4 63-1
 + DIAG BIT 5 BYTE 2-MDT FIELD MP126AS4 65-1
 + NL OR EM MP127BH4 66-1
 + NL OR EM OR DUP OR FM MP127BJ4 68-1
 + SJR BIT 1 MP131AK2 69-1
 + SJR BIT 5 MP131AQ2 71-1
 + SJR BIT 4 MP131AZ2 72-1
 + SJR BIT 3 MP131AC2 74-1
 + SJR BIT 2 MP131BE2 75-1



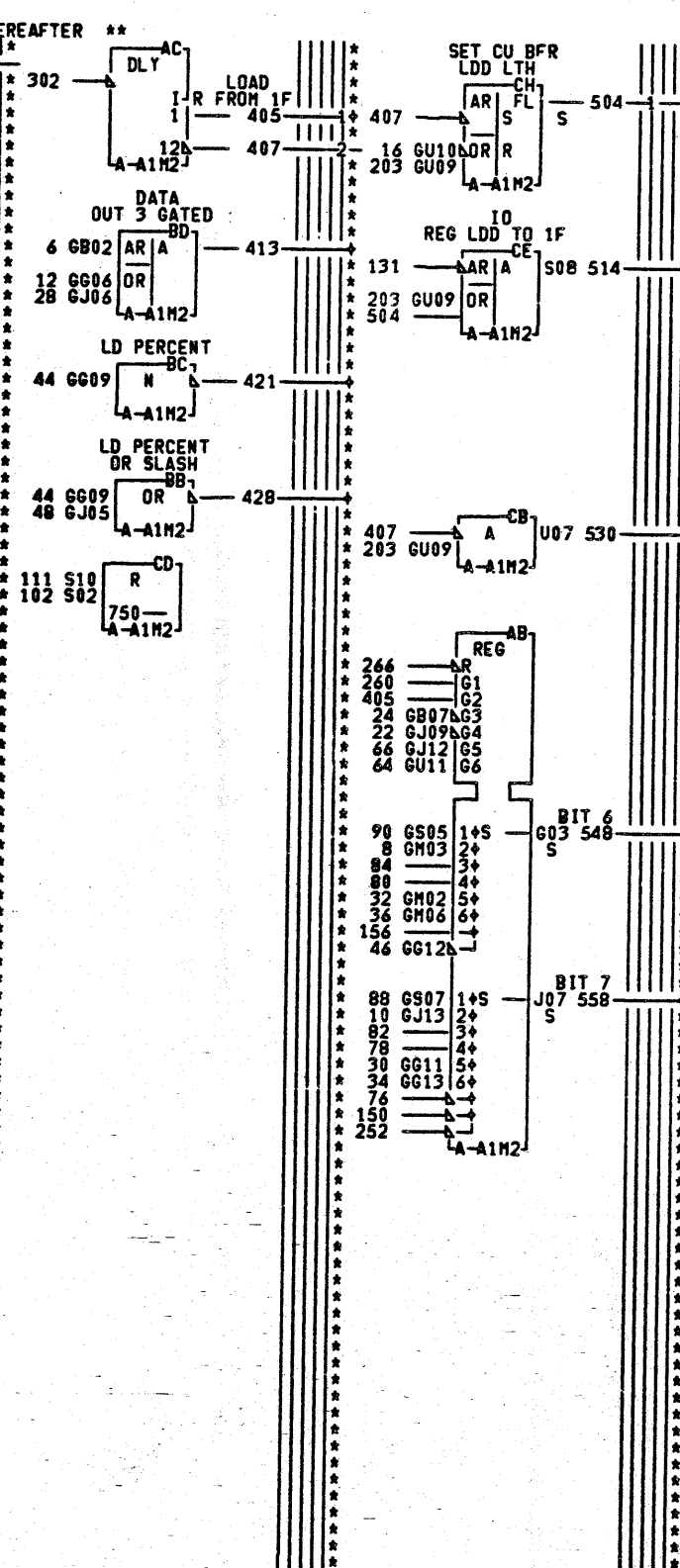
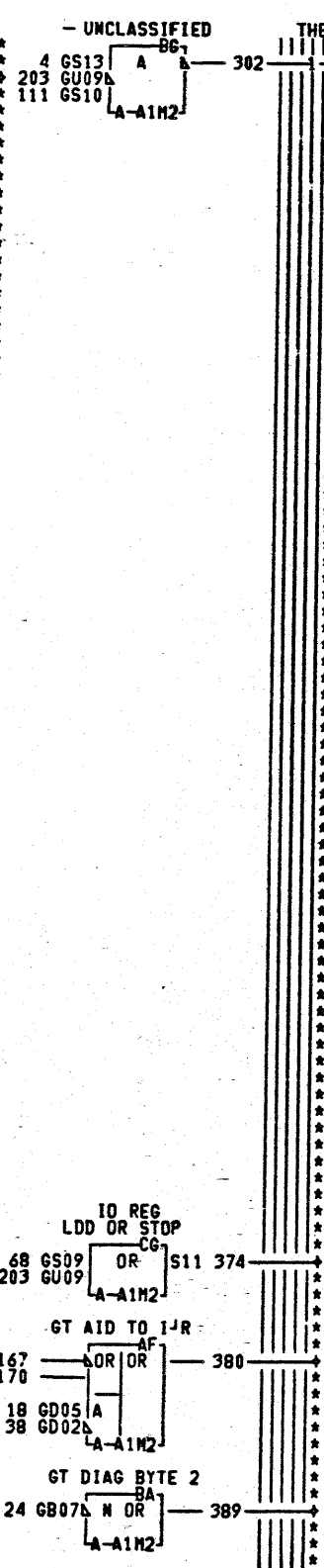
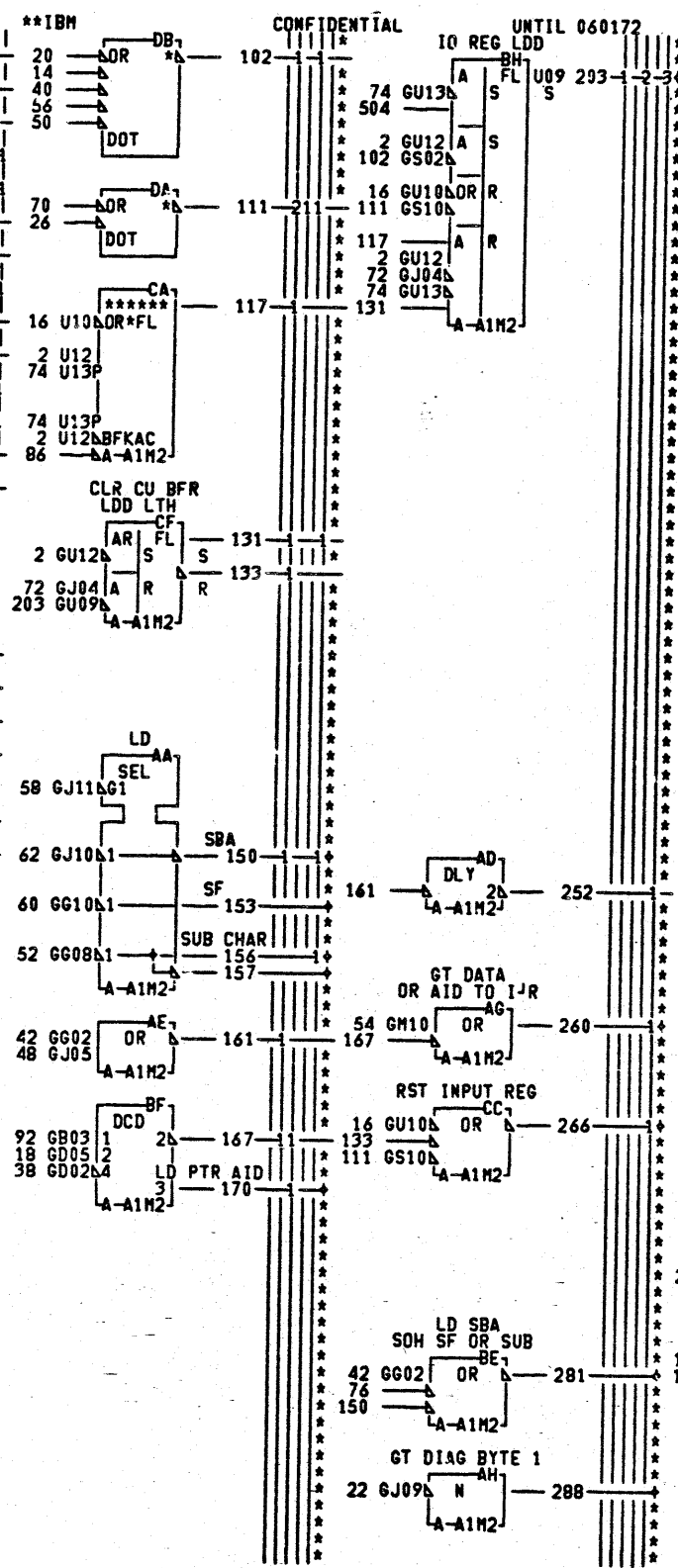
LOC. TYPE
A-A1M2 9033

PAGE VER EC LEV
MP121 000 717471
MP122 000 717471

INPUT OUTPUT REG			
-E.C.-HISTORY-			
MACH# 3272		FRAME	01
DATE		IBN CORP#KN	MP121
LAST EC		PoNo	1823057
01-21-72 717471			000

MP121
MP122
000

- CLR CU BFR LDD LTH LC101AK4- 2-32
 + LOAD CU BFR LC101AX4- 4
 + DATA OUT 3 LC301BJ4- 6
 + DATA OUT 6 LC301BM4- 8
 + DATA OUT 7 LC301BN4- 10
 + POLL ADR BIT 16 LC302AY4- 12
 - SET I 0 REG LDD MP014AP4- 14
 - RST MPLX LTHS ANY CMD MP014BM4- 16
 + ALLOW LD AID MP015BN4- 18
 - SET CU BFR LDD MP016AN4- 20
 - LD RD DIAG BYTE 1 MP016AP4- 22
 - LD RD DIAG BYTE 2 MP016AQ4- 24
 - RST I 0 REG LDD88SQ 5 + 6 MP024AK4- 26
 - GT POLL ADR BIT 16 MP025BY4- 28
 + BFR ADR CTR 1 MP034AE2- 30
 + BFR ADR CTR 2 MP034AH2- 32
 + BFR ADR CTR 64 MP034AM2- 34
 + BFR ADR CTR 128 MP034AQ2- 36
 - SEND AID OF ZEROES MP039AK6- 38
 - SET I 0 REG LDD MP041AR4- 40
 + LD SOH-TEST REQ BYT 1 MP041AT4- 42
 + LD PERCENT-TEST REQ BYT 2 MP041AU4- 44
 - LD STX-TEST REQ BYT 4 MP041BB4- 46
 + LD SLASH-TEST REQ BYT 3 MP041BF4- 48
 - SET I 0 REG LDD AID MP042AS4- 50
 - ENCODE SUB MP045AH4- 52
 + GT DATA TO IJR MP045AL4- 54
 - SET I 0 REG ST CLK 2 + TP MP046AQ4- 56
 - LD INPUT REG MP047AB4- 58
 - ENCODE SF MP047AM4- 60
 - ENCODE SBA MP047AT4- 62
 + GT ADR BYTE 1 TO IJR MP047BE4- 64
 + GT ADR BYTE 2 TO IJR MP047BF4- 66
 + STOP LTH SET MP051BL4- 68
 - CLR I 0 REG LDD LTH MP052BA4- 70
 - TP-6B MP063AM4- 72
 - GT CLR I 0 REG LDD MP068CH4- 74
 - LD SUB OR SF MP122AA4- 76
 + DG BIT 7 BYTE 1 SEQ 7 MP126AA2- 78
 + DIAG BIT 6 BYTE 1-SEQ 6 MP126AF2- 80
 + DIAG BIT 7 BYTE 2-SEQ 8 MP126AN2- 82
 + DIAG BIT 6 BYTE 2-CSR CHK MP126AT4- 84
 + TIE UP FOR CLEAR MP126BH4- 96
 + SJR BIT 7 MP131AC2- 88
 + SJR BIT 6 MP131AJ2- 90
 + SJR BIT PARITY MP131BD2- 92



*** MP123 ***
 000 MP123 MP125
 + LC202 LHM110 LMP031 LMP037 AS4
 + MP038 LMP039 LMP121 LMP142
 LMP144 LMP145
 548 + BIT 6 TO INTF
 558 + BIT 7 TO INTF
 + LC202 LHM110 LMP031 LMP037 AU4
 + MP038 LMP039 LMP085 LMP121
 LMP142 LMP145
 *** MP124 ***
 380 + GT AID TO IJR MP121-AA4
 156 + LD SUB CHAR MP122-AB4
 153 + LD SF MP122-AC4
 157 - LD SUB CHAR MP121-AE4
 150 - LD SBA MP122-AF4
 260 + GT DATA OR AID TO IJR MP122-AH4
 288 + GT DIAG BYTE 1 AJ4
 LMP121 LMP122
 389 + GT DIAG BYTE 2 AK4
 LMP121 LMP122
 170 + LD PTR AID MP122-AL4
 428 - LD PERCENT OR SLASH MP121-AN4
 421 - LD PERCENT MP122-AP4
 413 + DATA OUT 3 GATED MP122-AS4
 281 - LD SBA SOH SF OR SUB MP121-AV4
 *** MP125 ***
 405 + LOAD IJR FROM 1F AB4
 LMP121 LMP122
 203 + IO REG LDD SET AF4
 + LC102 LHM110 LMP016 LMP024
 + MP025 LMP051 LMP052 LMP057
 LMP058 LMP059
 530 *NOT USED + CLR REG 1 AL4
 266 - RST INPUT REG AQ4
 LMP121 LMP122
 514 + IO REG LDD TO 1F LC101-BC4
 374 + IO REG LDD OR STOP MP041-BK4

LOC. TYPE
A-A1M2 9033

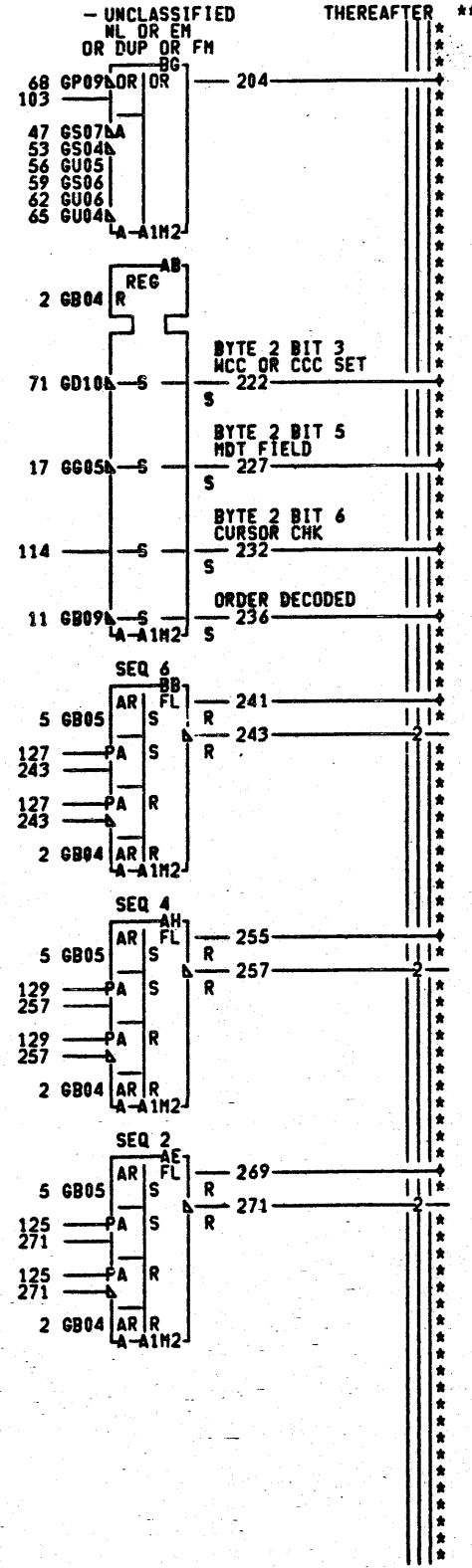
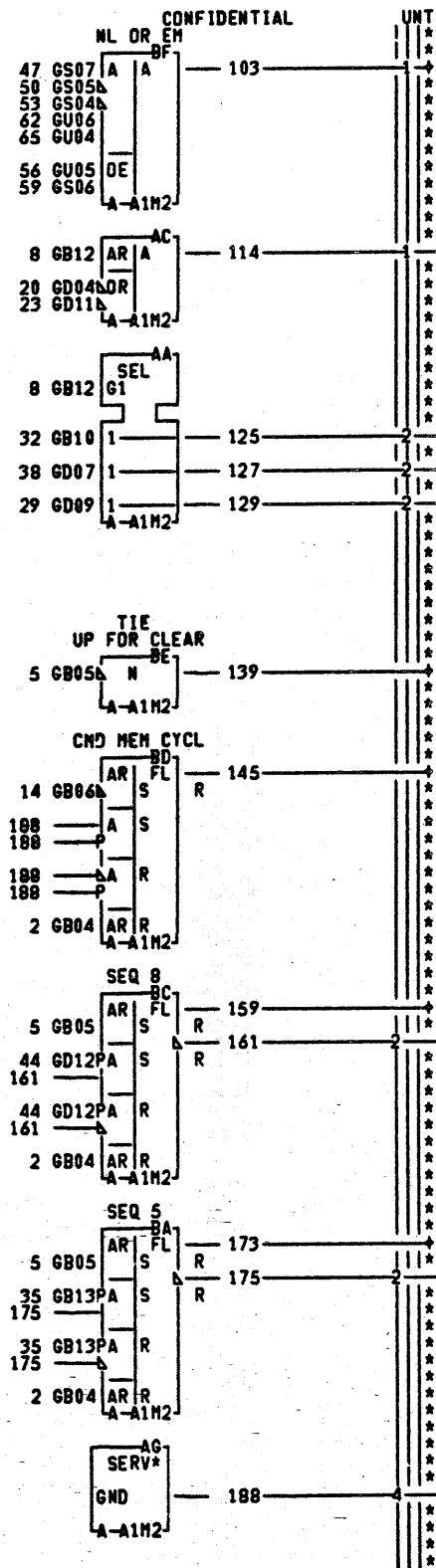
PAGE VER EC LEV
MP123 000 717471
MP124 000 717471
MP125 000 741252

INPUT OUTPUT REG	MACH.3272
CU BUFFER LDD LTH	
E.C. HISTORY	
717471 718941	
716956	FRAME 01 MP123
717483	
717490	IBM CORP.KN MP125
DATE LAST EC	
05-07-75 741252	P.N. 1823059 000

MP123
MP125
000

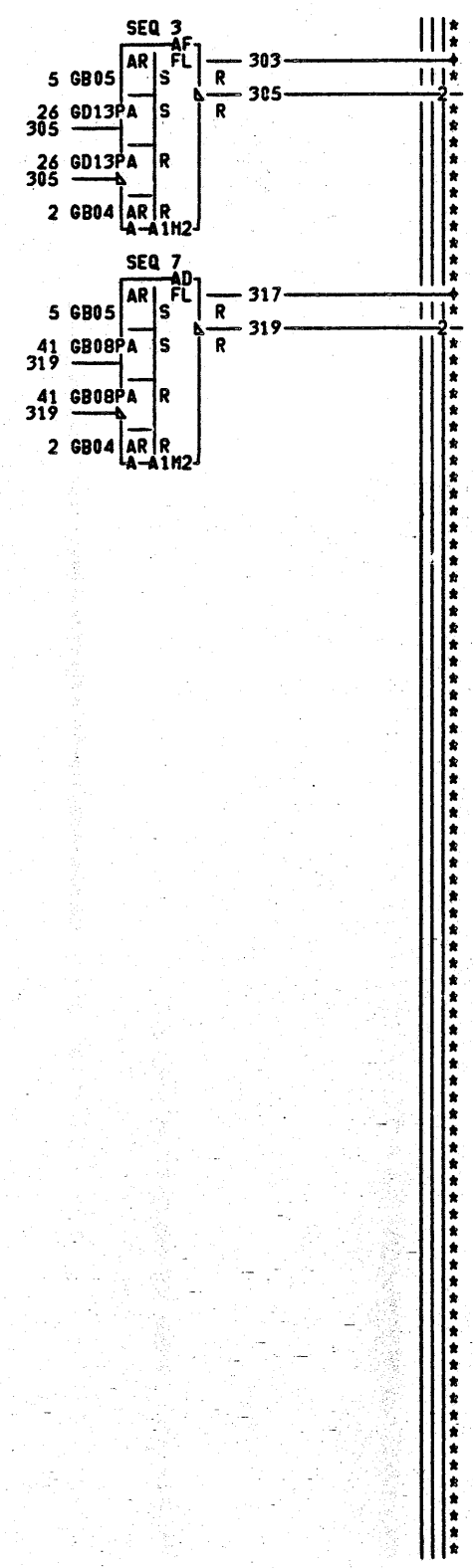
+ RST RD DIAG LTHS — MP013BH4 — 2-342
 + DIAG WRT CNTL — MP013BK2 — 5-332
 + MOST CMDS AND SELECT — MP014BJ4 — 8-2
 - SET RD DG B2 BIT 4 — ORD DCDD — MP052AP4 — 11
 - UPDATE ADR LTH SET — MP054AT4 — 14
 - SET RD DG B2 BIT 5 — MDT FLD — MP075CE4 — 17
 - RETRY TRIG SET — MP091RA6 — 20
 - SET RD DG B2 BIT 6 — CSR CHK — MP112BX4 — 23
 + SEQ 3 LTH SET — MP113AY2 — 26
 + SEQ 4 LTH SET — MP113CK4 — 29
 + SEQ 2 LTH SET — MP113CN4 — 32
 + SEQ 5 LTH SET — MP114BA2 — 35
 + SEQ 6 LTH SET — MP114BB2 — 38
 + SEQ 7 LTH SET — MP114BC2 — 41
 + SEQ 8 LTH SET — MP114BJ4 — 44
 + S/R BIT 7 — MP131AC2 — 47
 + S/R BIT 6 — MP131AJ2 — 50
 + S/R BIT 1 — MP131AK2 — 53
 + S/R BIT 5 — MP131AQ2 — 56
 + S/R BIT 4 — MP131AZ2 — 59
 + S/R BIT 3 — MP131BC2 — 62
 + S/R BIT 2 — MP131BE2 — 65
 - NULL DECODE — MP137AM4 — 68
 - SET RD DG B2 BIT 2 MCC SET — MP145BC4 — 71

**IBM



LOC. TYPE
A-A1M2 9033

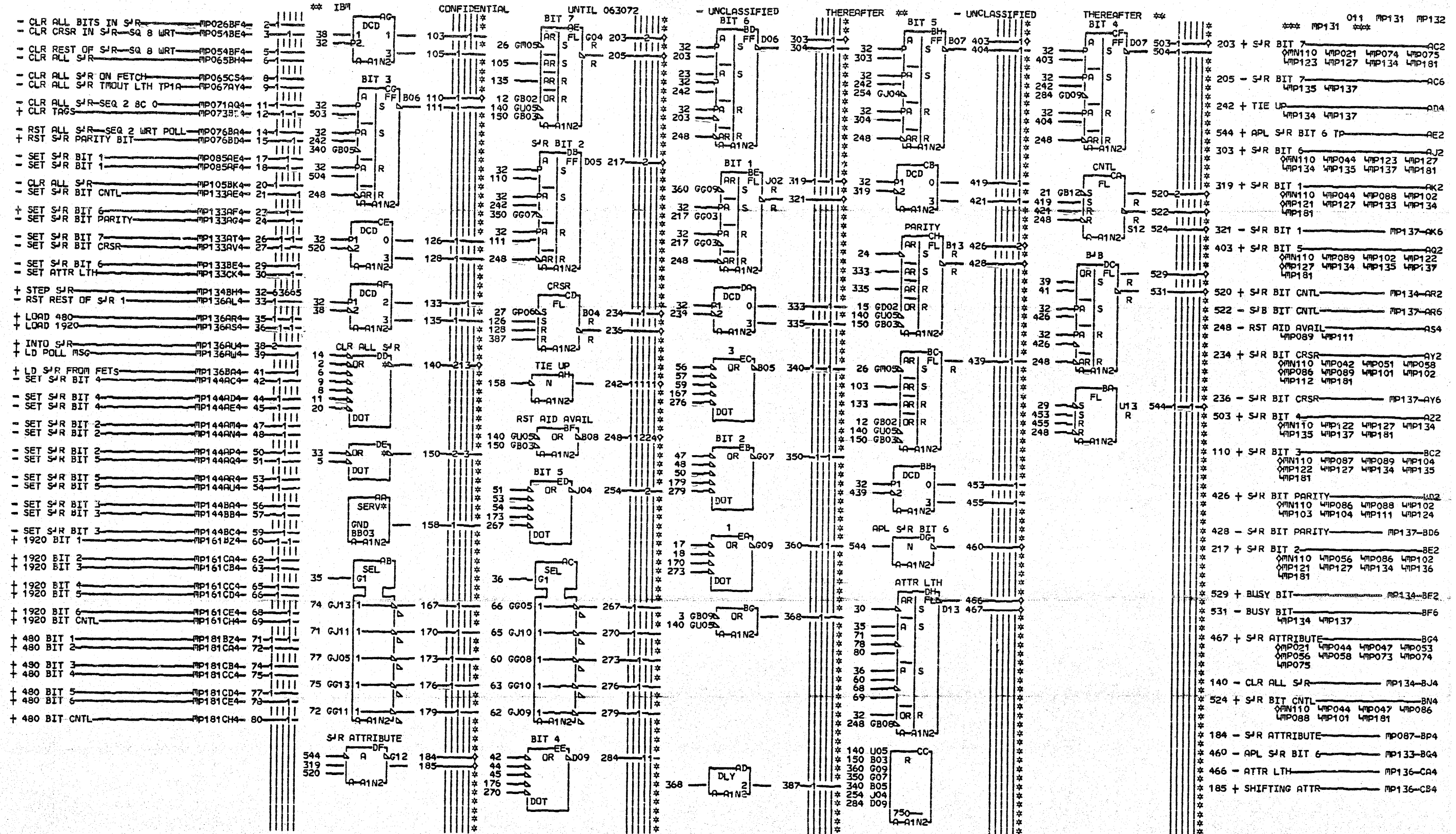
PAGE VER EC LEV
MP126 000 741252
MP127 000 717471



*** MP126 *** 000 MP126 MP127

317 + DG BIT 7 BYTE 1 SEQ 7 — MP123-AA2
 269 + DIAG BIT 2 BYTE 1-SEQ 2 MP121-AB2
 303 + DIAG BIT 3 BYTE 1-SEQ 3 MP122-AC2
 255 + DIAG BIT 4 BYTE 1-SEQ 4 MP122-AD2
 173 + DIAG BIT 5 BYTE 1-SEQ 5 MP122-AE2
 241 + DIAG BIT 6 BYTE 1-SEQ 6 MP123-AF2
 159 + DIAG BIT 7 BYTE 2-SEQ 8 MP123-AM2
 145 + DG BIT 2 BYTE 2-CMD MEM CYC — AP2
 MP121
 222 + DIAG BIT 3 BYTE 2-MCC OR CC — AQ4
 MP122
 236 + DIAG BIT 4 BYTE 2-ORD DECOD — AR4
 MP122
 227 + DIAG BIT 5 BYTE 2-MDT FIELD — AS4
 MP122
 232 + DIAG BIT 6 BYTE 2-CSR CHK — AT4
 MP123
 139 + TIE UP FOR CLEAR — MP125-BH4
 *** MP127 ***
 103 + NL OR EM — MP121-BH4
 204 + NL OR EM OR DUP OR FM — MP121-BJ4

READ DIAGNOSTIC TRACE LATCHES	A-MACH.3272
E.C. HISTORY	717471
	717490
DATE LAST EC	05-07-75 741252
FRAME	01 MP126
IBH CORP.KN	MP127
P.N.	1823061 000



A. SIM TO PN 1564240 EC 747510
 B. SIM TO PN 1564241 EC 717471

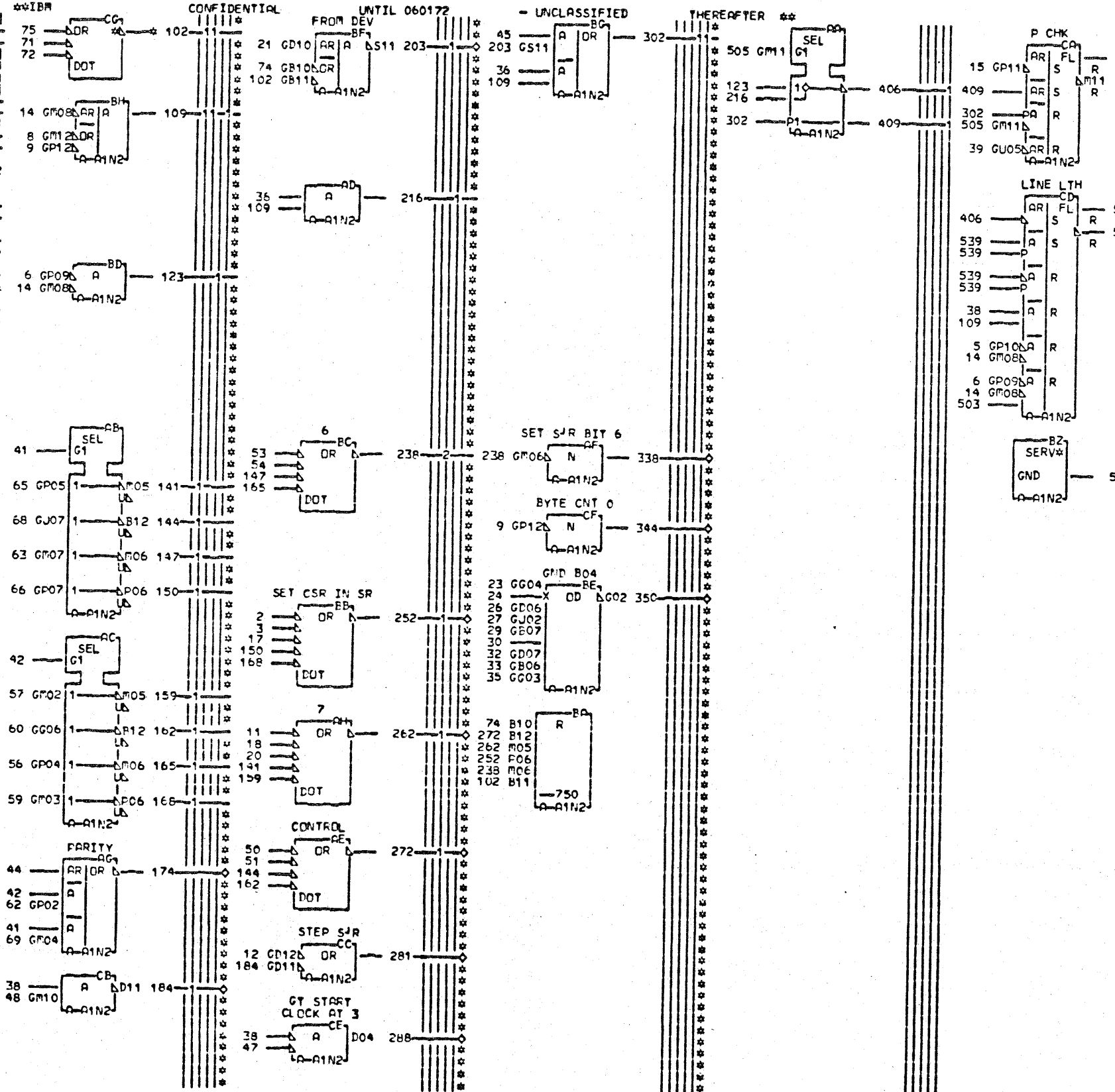
LOC. TYPE
 A-A1N2 BB03

PAGE VER EC LEV
 MP131 011 747510
 MP132 011 743326

SHIFT REGISTER GATING TO SHIFT REGISTER			
E.C. HISTORY	MACH. 3272		
741257			
742868	FRAME	01	MP131
743326			
744148	IBM CORP. KN		MP132
DATE	LAST EC		
05-03-78	747510	P.No. 1746554	011

MP131
 MP132
 011

- GT CRSR TO SJR - SEQ 5 - MP026AY4- 2-1
 - GT CRSR IN SJR - SEQ 8 WRT - MP054BU4- 3-1
 - BYTE CNT 3 - MP062BH4- 5-1
 - BYTE CNT 2 - MP062BJ4- 6-1
 - BYTE CNT 1 - MP062BK4- 8-1
 - BYTE CNT 0 - MP062BL4- 9-1
 - SET TAGS IN -SQ 7 - MP075CF4- 11-1
 - STEP SJR SEQ 2 - MP076AD4- 12-1
 - LD LINE LTH - MP076AE4- 14-2
 - SET P CHK TRIG - SEND ZEROES - MP076AR4- 15-1
 - SET SJR BIT CRSR - MP085AQ4- 17-1
 - SET SJR BIT 7 - MP085AH4- 18-1
 - SET SJR BIT 7 - MP085AJ4- 20-1
 + RCV MODE - SQ4 NOT TMDUT - MP088BX4- 21-1
 + SJR BIT 7 - MP131AC2- 23-1
 + TIE UP - MP131AD4- 24-1
 + SJR BIT 6 - MP131AJ2- 26-1
 + SJR BIT 1 - MP131AK2- 27-1
 + SJR BIT 5 - MP131AG2- 29-1
 + SJR BIT CNTL - MP131AR2- 30-1
 + SJR BIT 4 - MP131A22- 32-1
 + SJR BIT 3 - MP131EC2- 33-1
 + SJR BIT 2 - MP131BE2- 35-1
 + BUSY BIT - MP131BF2- 36-1
 - BUSY BIT - MP131BF6- 38-1
 - CLR ALL SJR - MP131FJ4- 39-1
 + LOAD 480 - MP136AP4- 41-2
 + LOAD 1920 - MP136AS4- 42-2
 + LD POLL MSG - MP136AW4- 44-1
 + TIMED DATA - MP137BR2- 45-1
 - TIMED DATA - MP137EB6- 47-1
 + DETECT PULSE - MP137BS4- 48-1
 - SJR BIT CNTL - MP144AS4- 50-1
 - SJR BIT CNTL - MP144AT4- 51-1
 - SET SJR BIT 6 - MP144BD4- 53-1
 - SET SJR BIT 6 - MP144BP4- 54-1
 + 1920 BIT 6 - MP161CE4- 56-1
 + 1920 BIT 7 - MP161CF4- 57-1
 + 1920 BIT CRSR - MP161CG4- 59-1
 + 1920 BIT CNTL - MP161CH4- 60-1
 + 480 BIT 6 - MP181CJ4- 62-1
 + 480 BIT 7 - MP181CF4- 65-1
 + 480 BIT CRSR - MP181CG4- 66-1
 + 480 BIT CNTL - MP181CH4- 68-1
 + 480 BIT PARITY - MP181CJ4- 69-1
 - DATA TO MPLX 0 1 2 3 - MP271AT4- 71-1
 - DATA TO MPLX 4 5 6 7 - MP281AT4- 72-1
 - DATA TO MPLX 16 THRU 31 - MP291AR2- 74-1
 - DATA TO MPLX 8 THRU 15 - MP291AS5- 75-1



*** MP133 ***
 000 MP133 MP134
 272 - SET SJR BIT CNTL - MP131-AE4
 338 + SET SJR BIT 6 - MP131-AF4
 174 - SET SJR BIT PARITY - MP131-AG4
 262 - SET SJR BIT 7 - MP131-AT4
 252 - SET SJR BIT CRSR - MP131-AV4
 *** MP134 ***
 350 + CHECK FET PARITY - 0-7 EVEN - AH6
 LMP111
 203 - GTD DATA TO SR FROM DEVISE - AJ4
 LMP036 LMP090 LMP136 LMP137
 505 + XMIT BAD PARITY - MP091-AU6
 184 - SHIFT DATA PULSE - A24
 281 + STEP SJR - MP131-BH4
 516 + LD LINE LTH SET - MP135-BJ2
 518 - LD LINE LTH SET - MP135-BJ6
 288 + GT START CLOCK AT 3 - MP101-BX4
 344 + BYTE CNT 0 - MP136-CA4

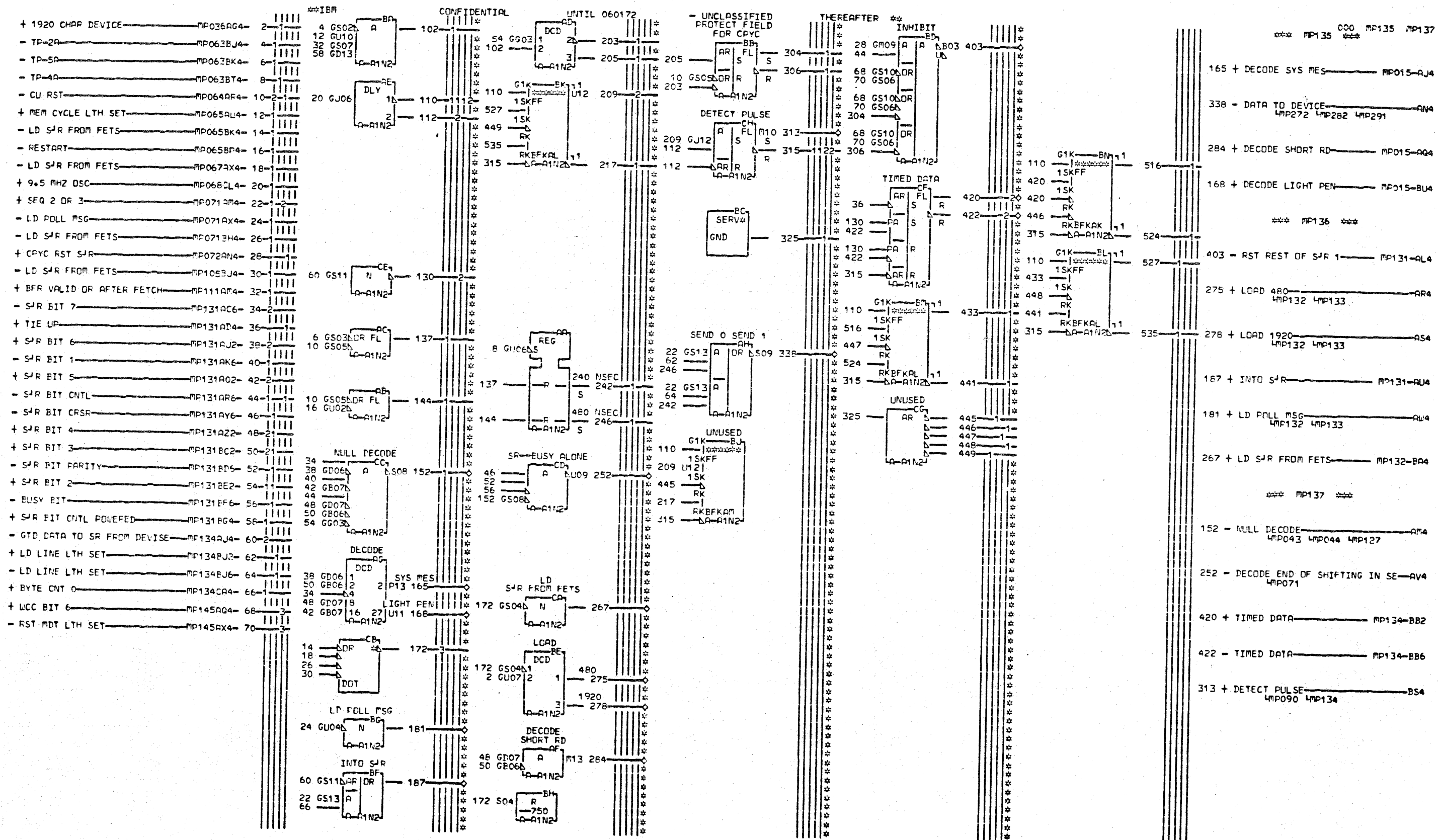
EDGE CONN.
102 A-A1M6B04

LDC. TYPE
A-A1N2 2219

PAGE VER EC LEV
MP133 000 717471
MP134 000 717490

MP133
MP134
000

GATING TO SHIFT REGISTER			
PARITY GENERATOR			
E.C. HISTORY	717471	MACH. 3272	
	716956		
DATE	LAST EC	IBA CORP. KN	MP134
05-10-72	717490	P.No. 1823066	000

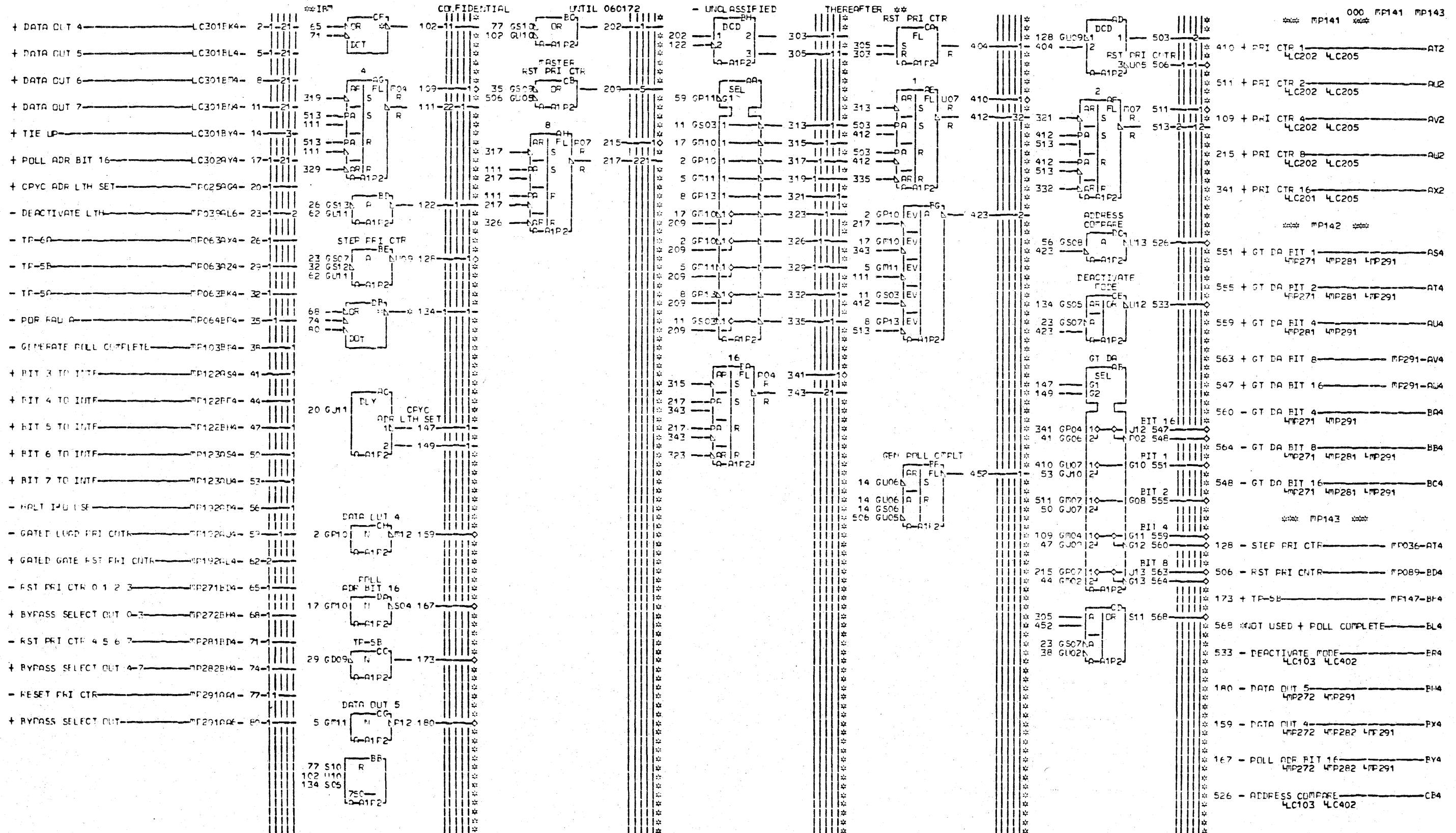


LOC. TYPE
A-A1N2 2219

PAGE VFR EC LEV
MP135 000 717483
MP136 000 717490
MP137 000 718948

MP135
MP137
000

DECODE ATTENTIONS		
DECODE NULL		
E.C.-HISTORY-B MACH.3272		
717471	FRAME 01	MP135
716956		
717483	IBM CORP.KN	MP137
717490		
DATE LAST EC	P.No. 1823067	000
12-20-72 718948		



EDGE COMP.
134 R-A1J6E04

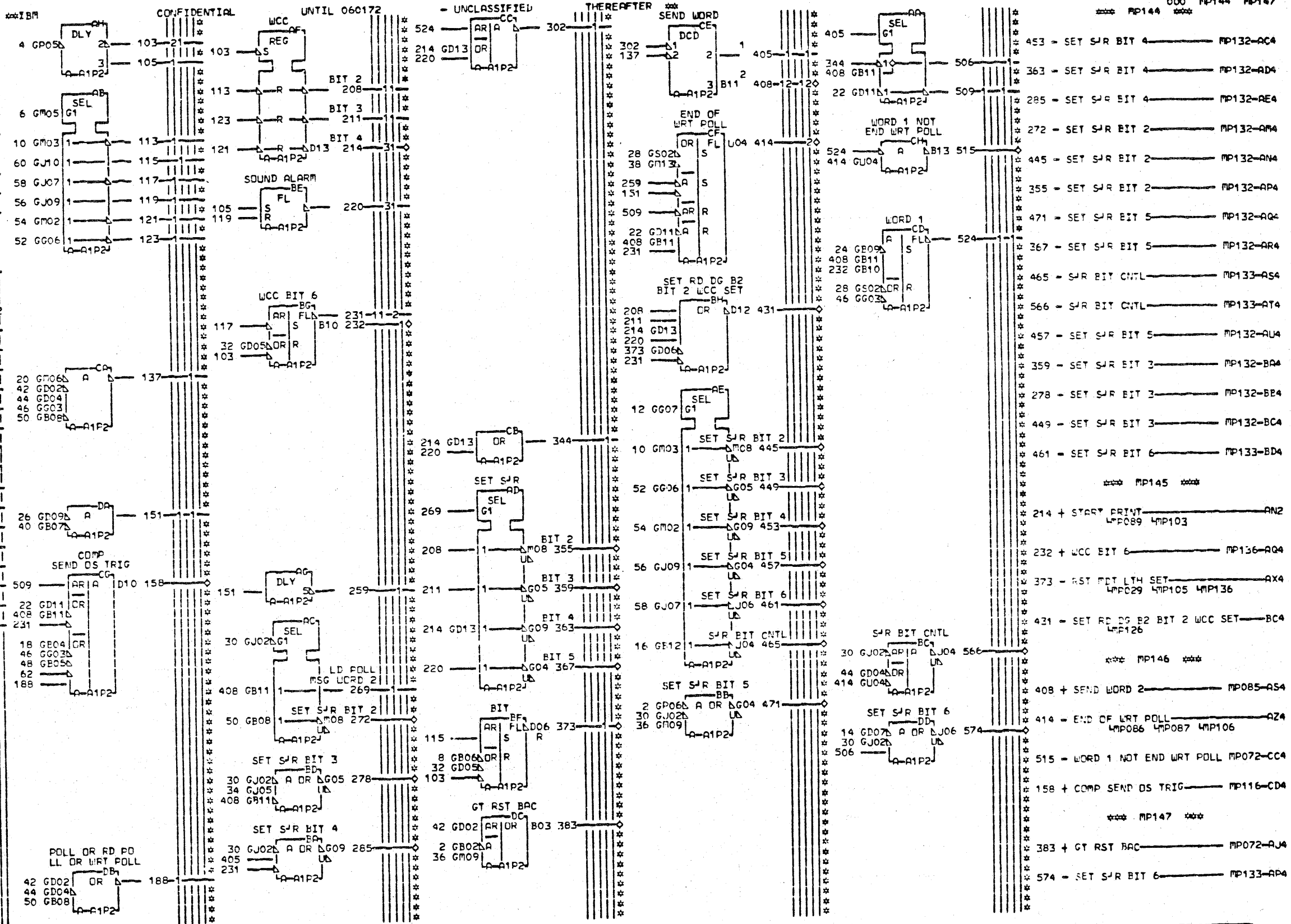
I.O.C. TYPE
R-A1P2 2222

PAGE VER EC LEV
MP141 000 739542
MP142 000 717490
MP143 000 717955

PRIORITY COUNTER			
GATING TO DEVICE AVAILABLE			
E.C. HISTORY		C. MACH. 3272	
717471	717955	FRAME	01 MP141
716956			
717483			
717490		IBM COMP. KN	MP143
DATE	LAST FC		
09-24-73	739542	P.No.	1823069 000

MP141
MP143
000

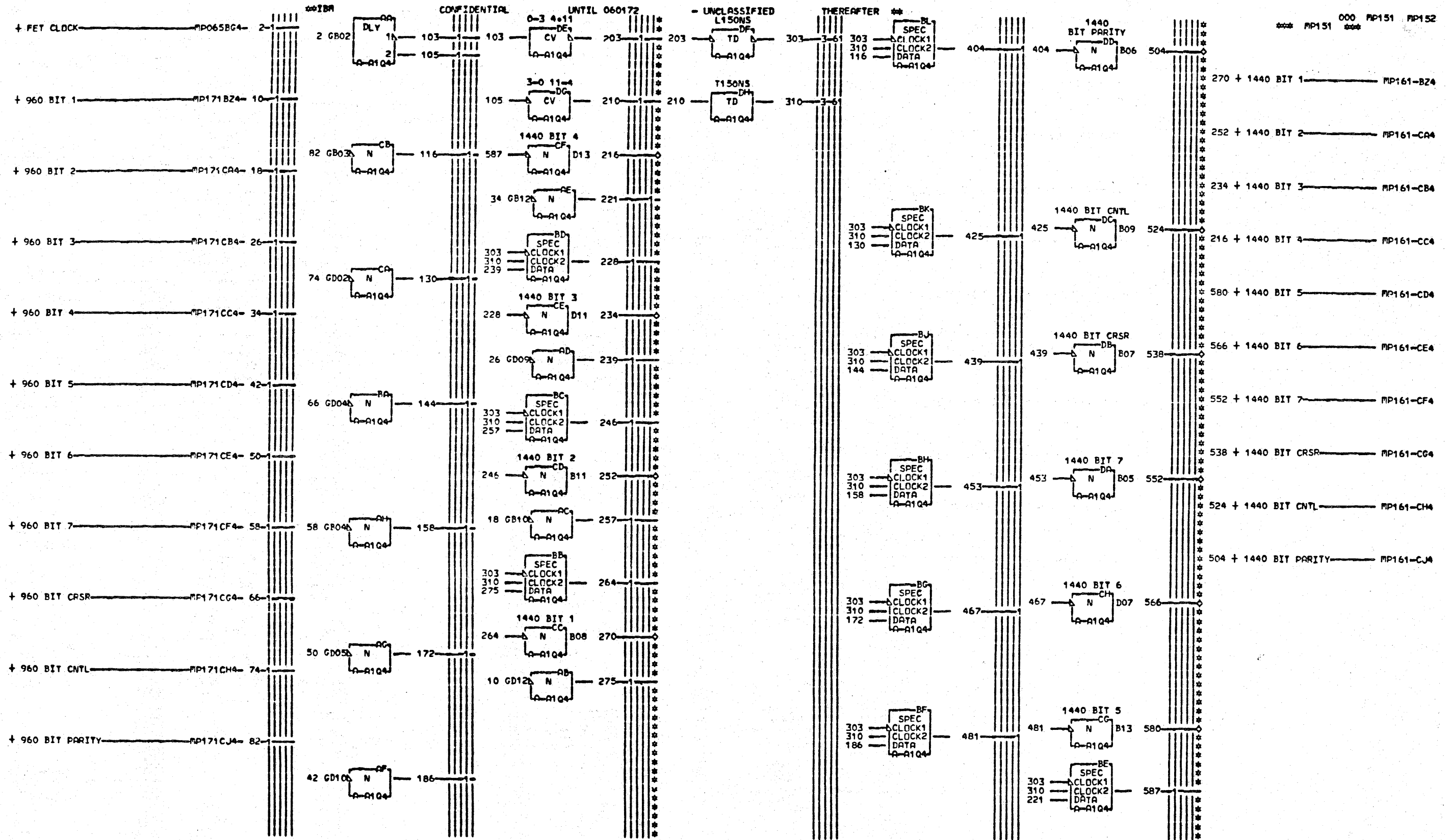
- ERASE UNPROTECTED CMD - LC305AG8 - 2-1-1
- RST MPLX LTHS ANY CMD - MP014BM4 - 4-1-1
- + LD WCC OR CCC - MP024AL4 - 6-1-1
- RST WCC RST MDT LTH - MP029AX4 - 8-1-1
- + BIT 2 TO SJR - MP031AZ4 - 10-1-1
- + GT INPUT REG TO SJR - SQ8 WRT - MP054BP4 - 12-1-1
- + BFR MODIFIED LTH SET - MP056AJ2 - 14-1-1
- + INTF CNTL - MP058BC4 - 16-1-1
- BYTE CNT 3 - MP062BH4 - 18-1-1
- BYTE CNT 0 - MP062BL4 - 20-1-1
- TP-1A - MP063AJ4 - 22-1-1
- TP-3A - MP063AW4 - 24-1-1
- TP-5B - MP063AZ4 - 26-1-1
- CU RST - MP064AR4 - 28-1-1
- LD POLL MSG - MP071AX4 - 30-3-12
- RST CCC CPYC LTHS - MP072AU4 - 32-1-1
- + SYSTEM ACTIVE - MP077AE4 - 34-1-1
- INHIB SEND EAU - MP081BN4 - 36-1-1
- RST SEQ 4 ALONE - MP101BG4 - 38-1-1
- GATED RST SEQ 4 - MP106AR4 - 40-1-1
- + RD POLL LTH SET - MP107AR2 - 42-2-1
- POLL TGR SET - MP107AS2 - 44-2-1
- + SEQ 2 LTH SET - MP113CN4 - 46-2-1
- + SEND ZERDES TRIG SET - MP116AL6 - 48-1-1
- + WRT POLL TRIG SET - MP116AN2 - 50-2-1
- + BIT 3 TO INTF - MP122AS4 - 52-1-1
- + BIT 4 TO INTF - MP122BE4 - 54-1-1
- + BIT 5 TO INTF - MP122BH4 - 56-1-1
- + BIT 6 TO INTF - MP123AS4 - 58-1-1
- + BIT 7 TO INTF - MP123AU4 - 60-1-1
- + TP-5B - MP143BF4 - 62-1-1



LDC TYPE
A-A1P2 2222

PAGE VER EC LEV
MP144 000 717471
MP145 000 717490
MP146 000 717471
MP147 000 717490

GATING TO SJR			
WORD 1 OR 2 GENERATION			
-E.C.-HISTORY- P. MACH. 3272			
717471			
FRAME	01	MP144	
IBN CORP-KN		MP147	
DATE	LAST EC	P.N. 1823070 000	
06-14-72	717490		

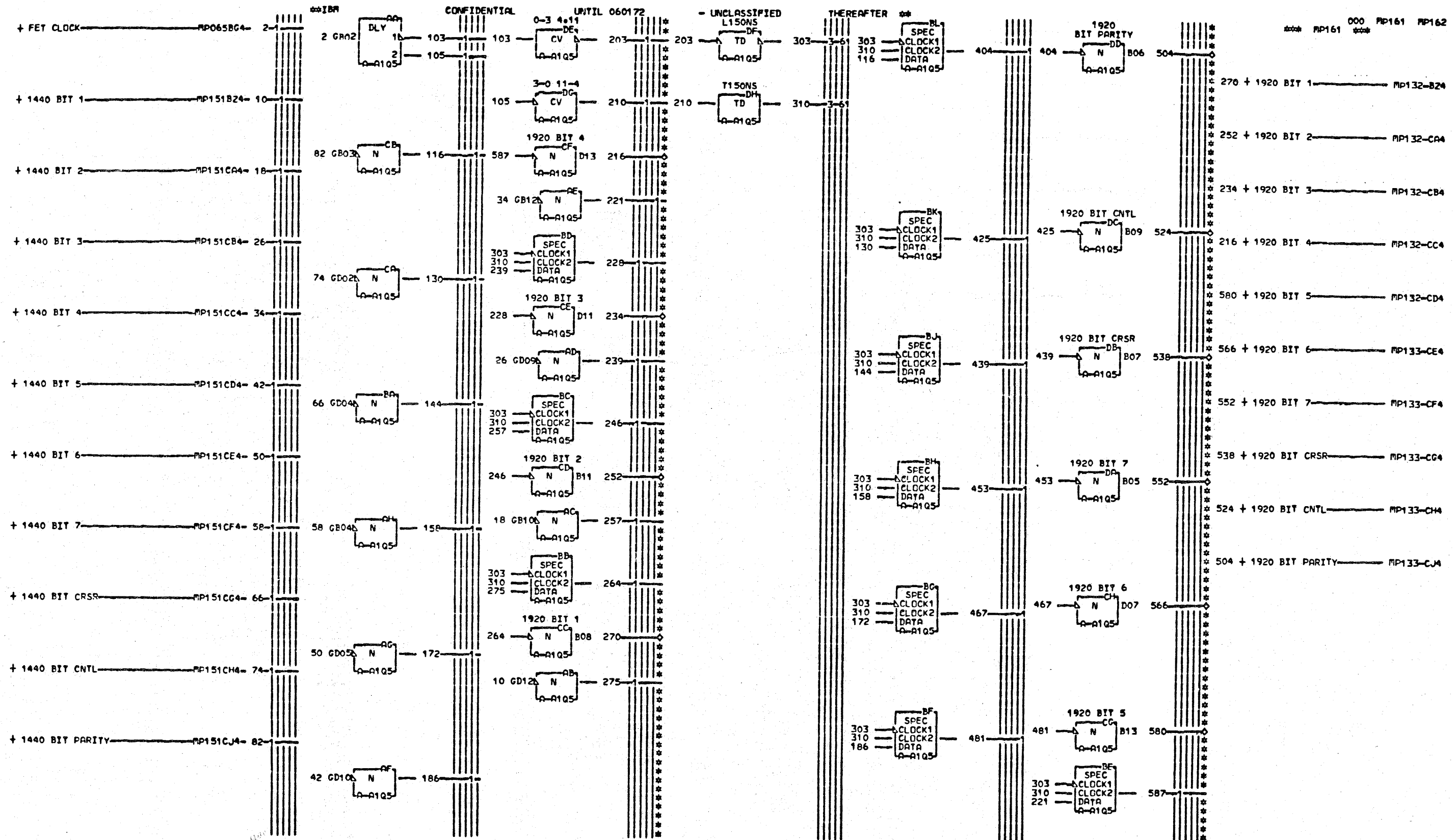


LOC. TYPE
A-A1Q4 9035

PAGE VER EC LEV
MP151 000 717471
MP152 000 717471

MESSAGE BUFFER			
E.C.	HISTORY	P	RACH-3272
FRAME	01	MP151	
DATE	LAST EC	IBM CORP-KN	MP152
01-21-72	717471	P.No. 1823072	000

MP151
MP152
000

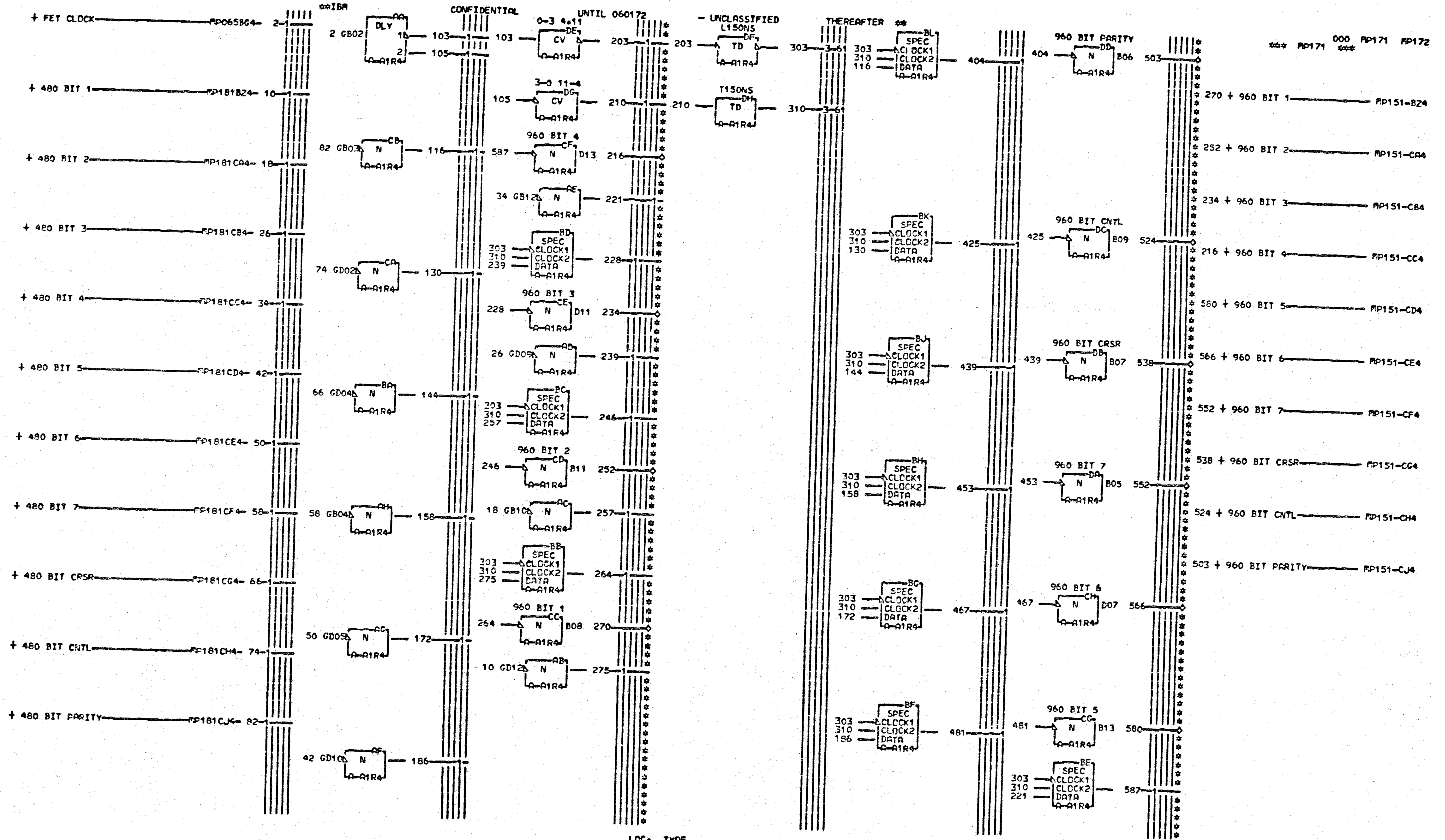


MP161
MP162
000

LOC. TYPE
A-A1Q5 9035

PAGE VER EC LEV
MP161 000 717471
MP162 000 717471

MESSAGE BUFFER			
E.C. HISTORY	P	RACH.3272	
DATE LAST EC		FRAME 01	MP161
01-21-72 717471		IBA CORP. KN	MP162
		P.No. 1823073	000

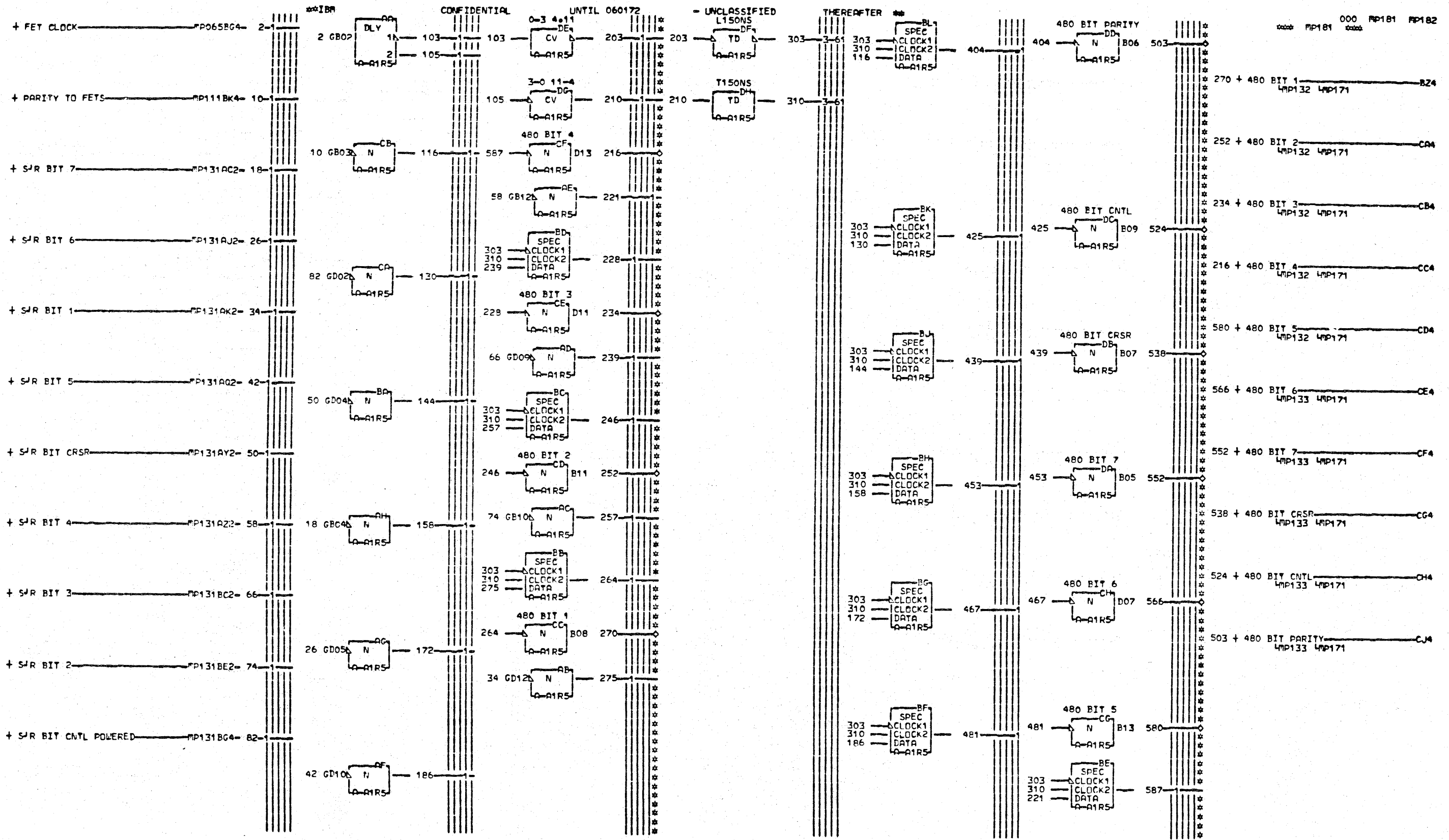


LOC. TYPE
A-A1R4 9035

PAGE VER EC LEV
MP171 000 717471
MP172 000 717471

MP171
MP172
000

MESSAGE BUFFER			
E.C.	HISTORY	P	PACK=3272
DATE	LAST EC	FRAME	01 MP171
01-21-72	717471	IBN CORP.	KN MP172
		PoNo	1823074 000

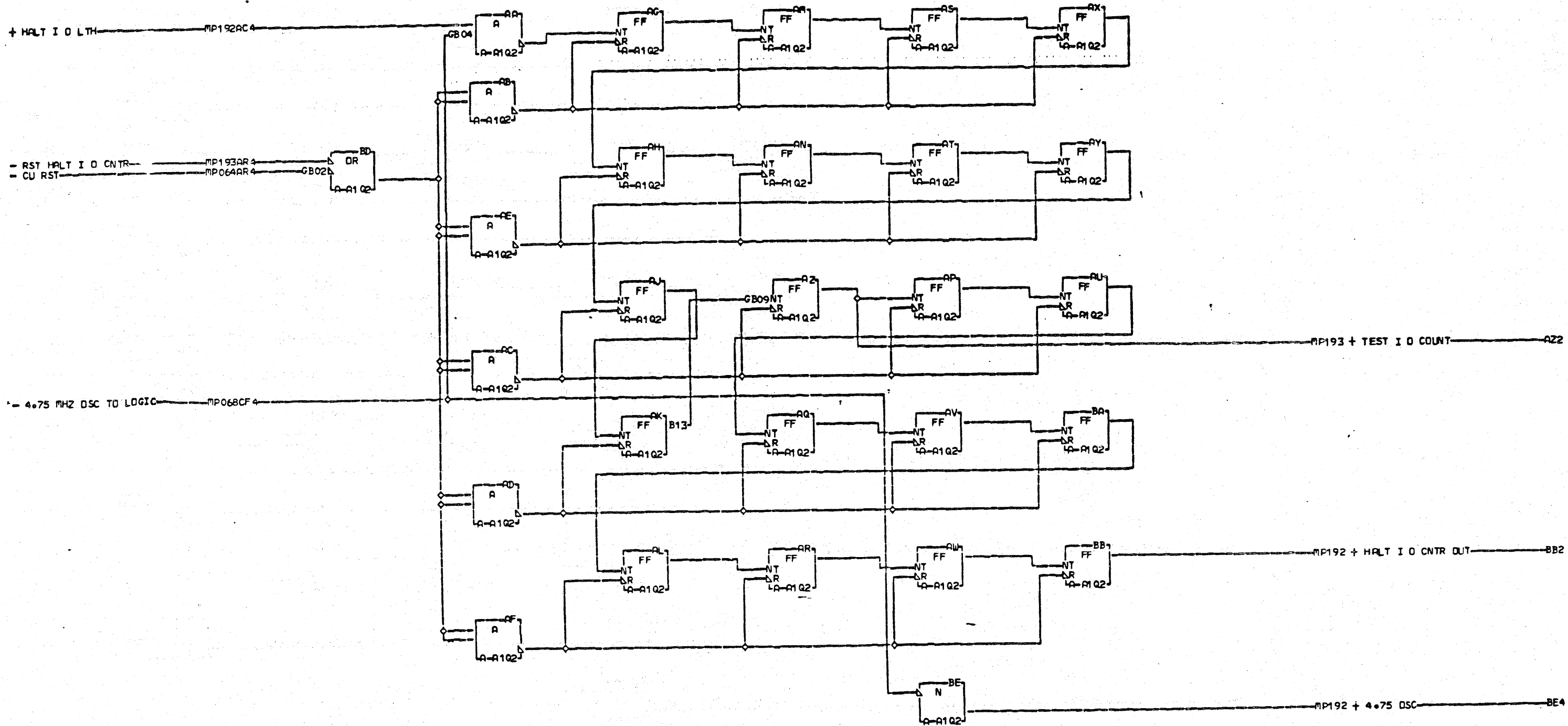


MP181
MP182
000

LOC. TYPE
A-A1R5 9035

PAGE VER EC LEV
MP181 000 717471
MP182 000 717471

MESSAGE BUFFER			
E.C. HISTORY		P. MACH. 3272	
FRAME	01	MP181	
DATE	LAST EC	IBN CORP. KN	MP182
01-21-72	717471	P. No. 1823075	000

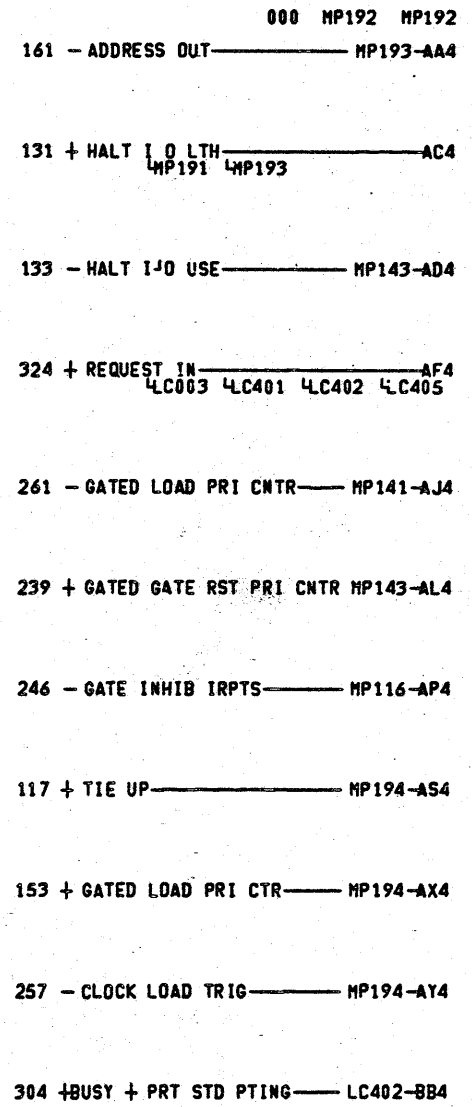
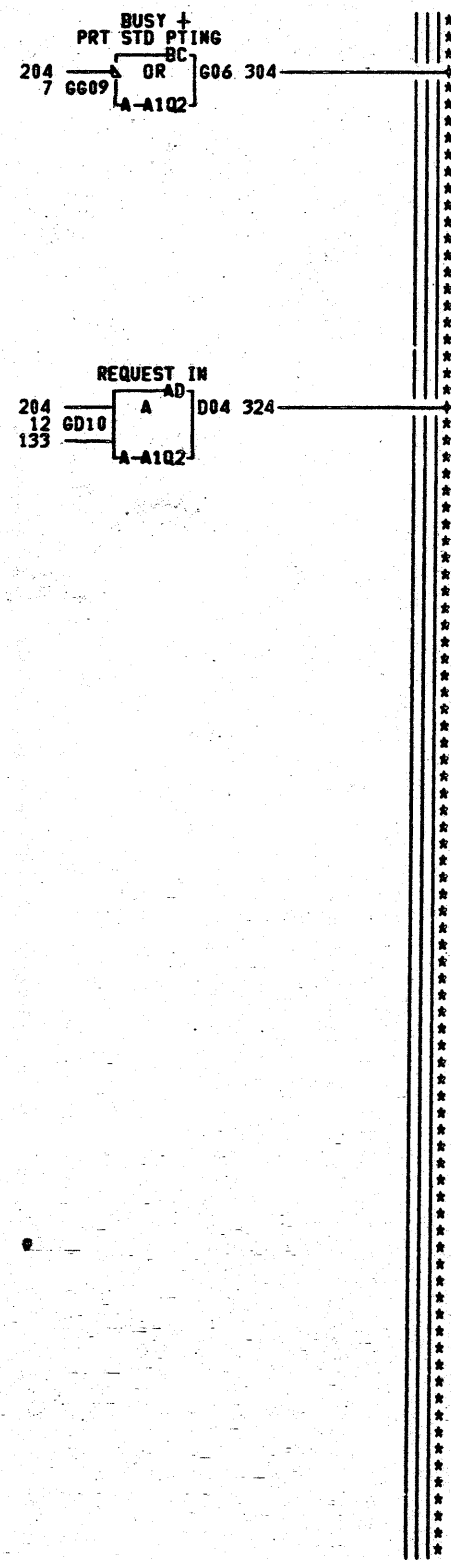
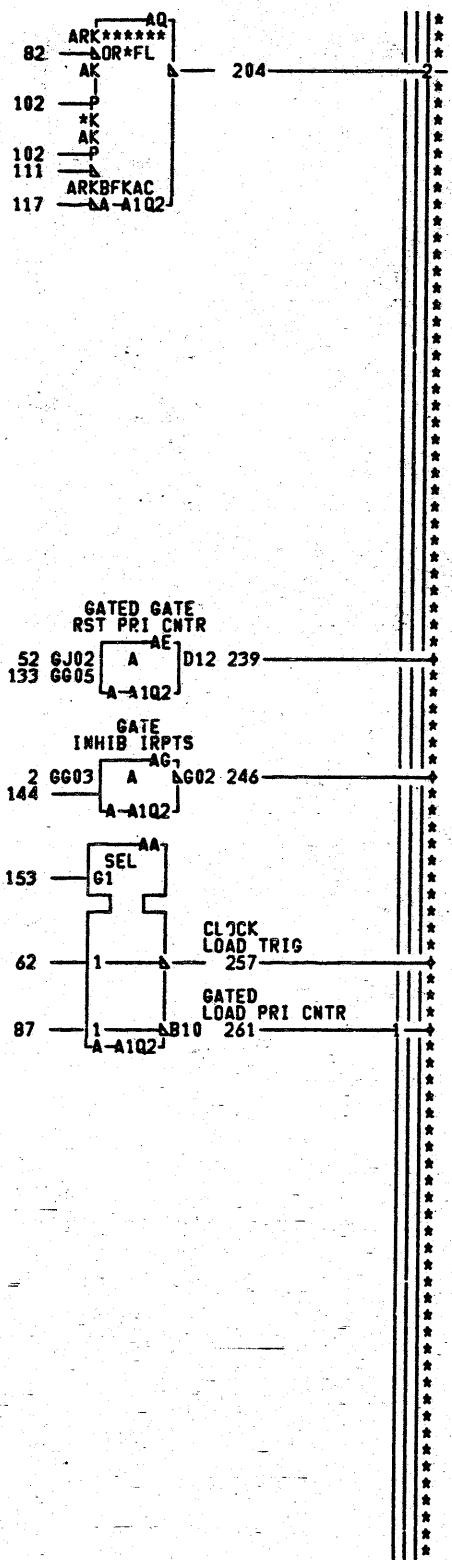
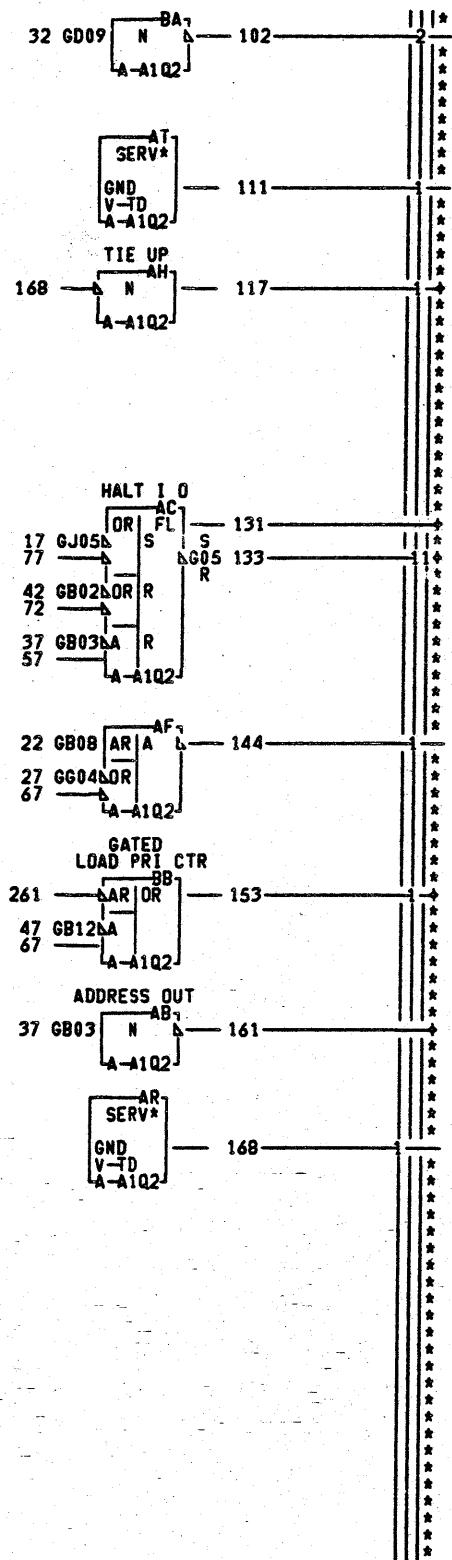
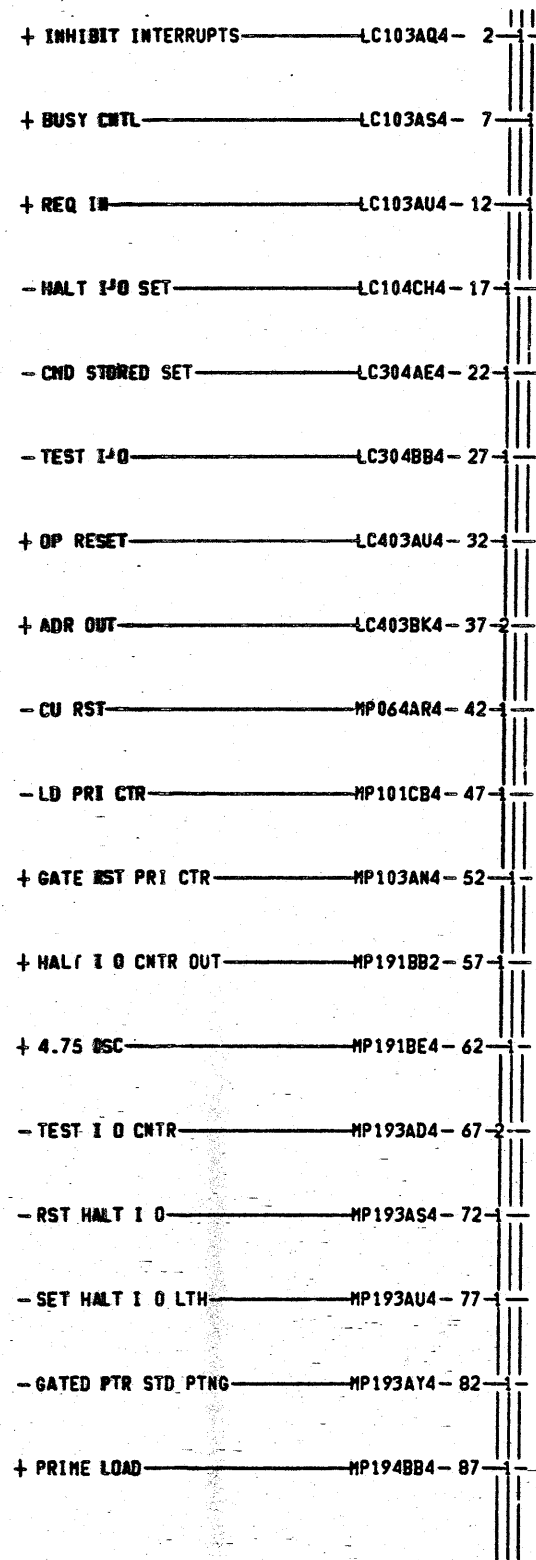


EA 0-1
000

LOC. TYPE
A-A1 Q2 X459

HALT IO COUNTER	
E.C. HISTORY	C MACH. 3272
717955	FRAME 01
DATE LAST EC	IBM CORP. SDD
09-24-73 739542	P.No. 1832638

RP191
000



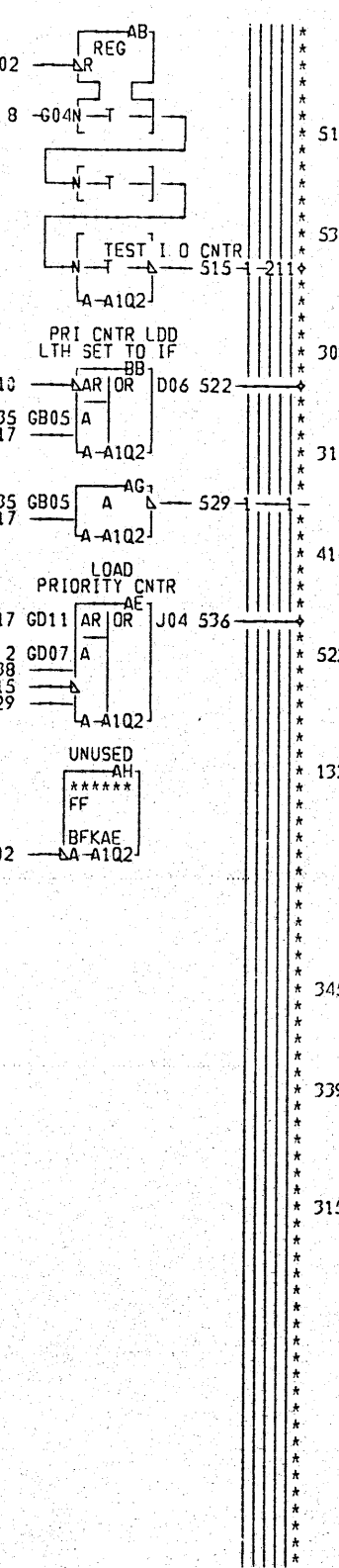
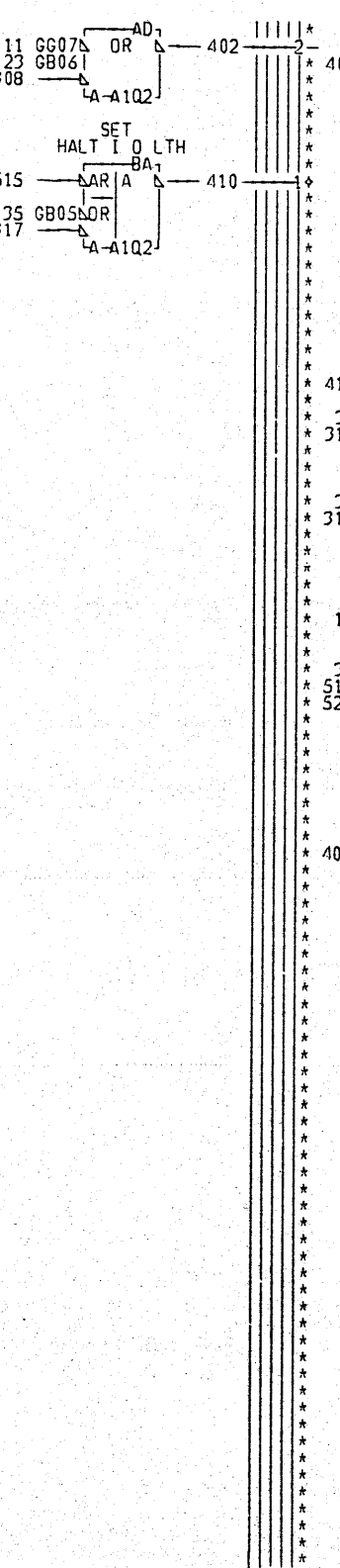
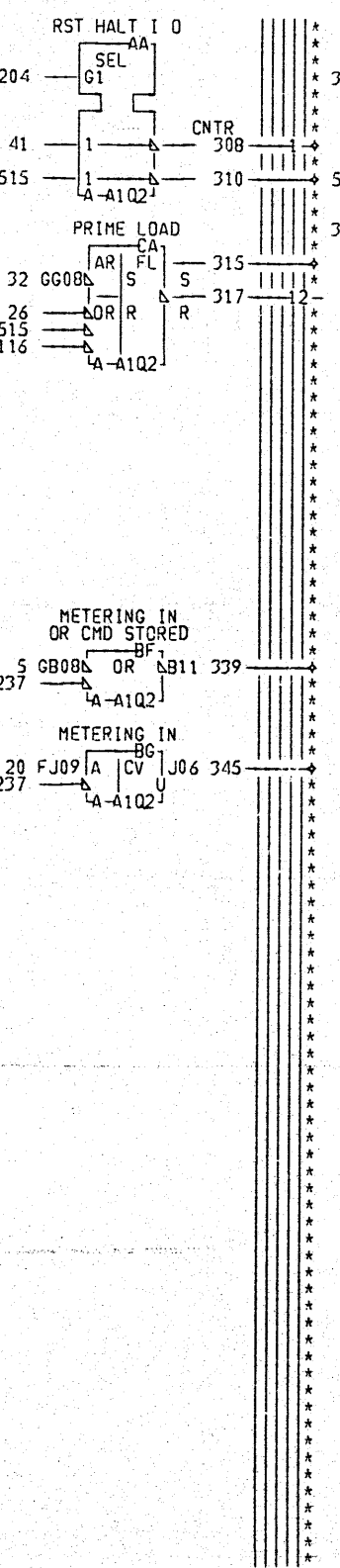
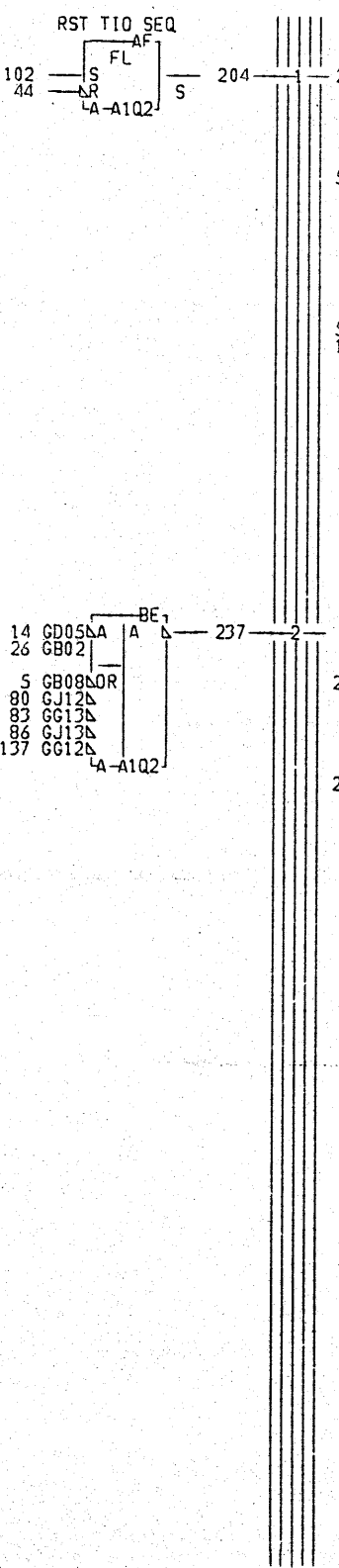
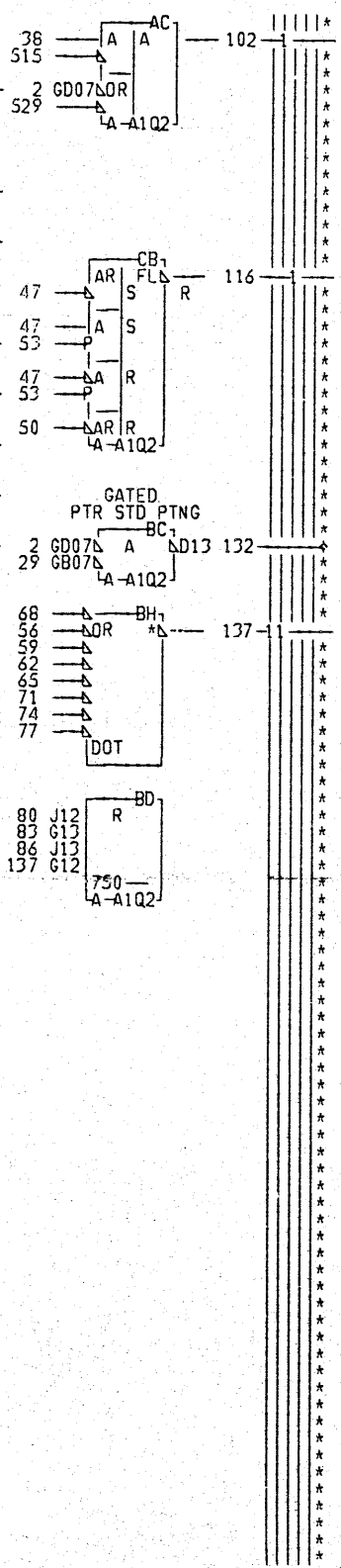
MP192
MP192
000

LOC. TYPE
A-A1Q2 X459

PAGE VER EC LEV
MP192 000 741252

HALT TO COUNT TEST CONTROL			
E.C. HISTORY	A	MACH.3272	
717955			
739542		FRAME 01	MP192
		IBH CORP.SDD	MP192
DATE	LAST EC		
05-07-75	741252	P.M. 1841523	000

- STATUS REG CLR LC203AV4 - 2-2
 - CMD STORED SET LC304AE4 - 5-1
 - TEST I/O LC304BB4 - 8-1
 - NOP CMD LC308AK4 - 11-1
 - ON LINE LC401BN4 - 14-1
 + LOAD PRIORITY CTR LC402BH4 - 17-1
 - DRIVER GATE LC404BH4 - 20-1
 + MOST CMDS AND SELECT MP014BJ4 - 23-1
 - CU RST MP064AR4 - 26-1
 - PRINTER STARTED PRINTING MP089CA4 - 29-1
 - RST SEQ 4 ALONE MP101BG4 - 32-1
 + PRI CNTR LDD LTH SET MP101CC4 - 35-1
 + TEST I/O COUNT MP191AZ2 - 38-1
 - ADDRESS OUT MP192AA4 - 41-1
 + HALT I/O LTH MP192AC4 - 44-1
 + TIE UP MP192AS4 - 47-1
 + GATED LOAD PRI CTR MP192AX4 - 50-1
 - CLOCK LOAD TRIG MP192AY4 - 53-1
 - BUSY 0 MP271BG4 - 56-1
 - BUSY 1 MP271BH4 - 59-1
 - BUSY 2 MP271BJ4 - 62-1
 - BUSY 3 MP271BK4 - 65-1
 - BUSY 4 MP281BG4 - 68-1
 - BUSY 5 MP281BH4 - 71-1
 - BUSY 6 MP281BJ4 - 74-1
 - BUSY 7 MP281BK4 - 77-1
 - BUSY 16 THRU 23 MP291AF2 - 80-1
 - BUSY 8 THRU 15 MP291AF4 - 83-1
 - BUSY 24 THRU 31 MP291AF6 - 86-1



*** MP193 ***
 011 MP193 MP194
 515 - TEST I/O CNTR MP192-AD4
 536 + LOAD PRIORITY CTR AJ4
 4MP072 4MP101 4MP106
 308 - RST HALT I/O CNTR MP191-AR4
 310 - RST HALT I/O MP192-AS4
 410 - SET HALT I/O LTH MP192-AU4
 522 + PRI CNTR LDD LTH SET TO IF AV4
 4LC103 4LC402
 132 - GATED PTR STD PTNG AY4
 4LC403 4CS01 4MP192
 *** MP194 ***
 345 + METERING IN LC005-AP4
 339 - METERING IN OR CMD STORED AU4
 4LC401
 315 + PRIME LOAD MP192-BB4

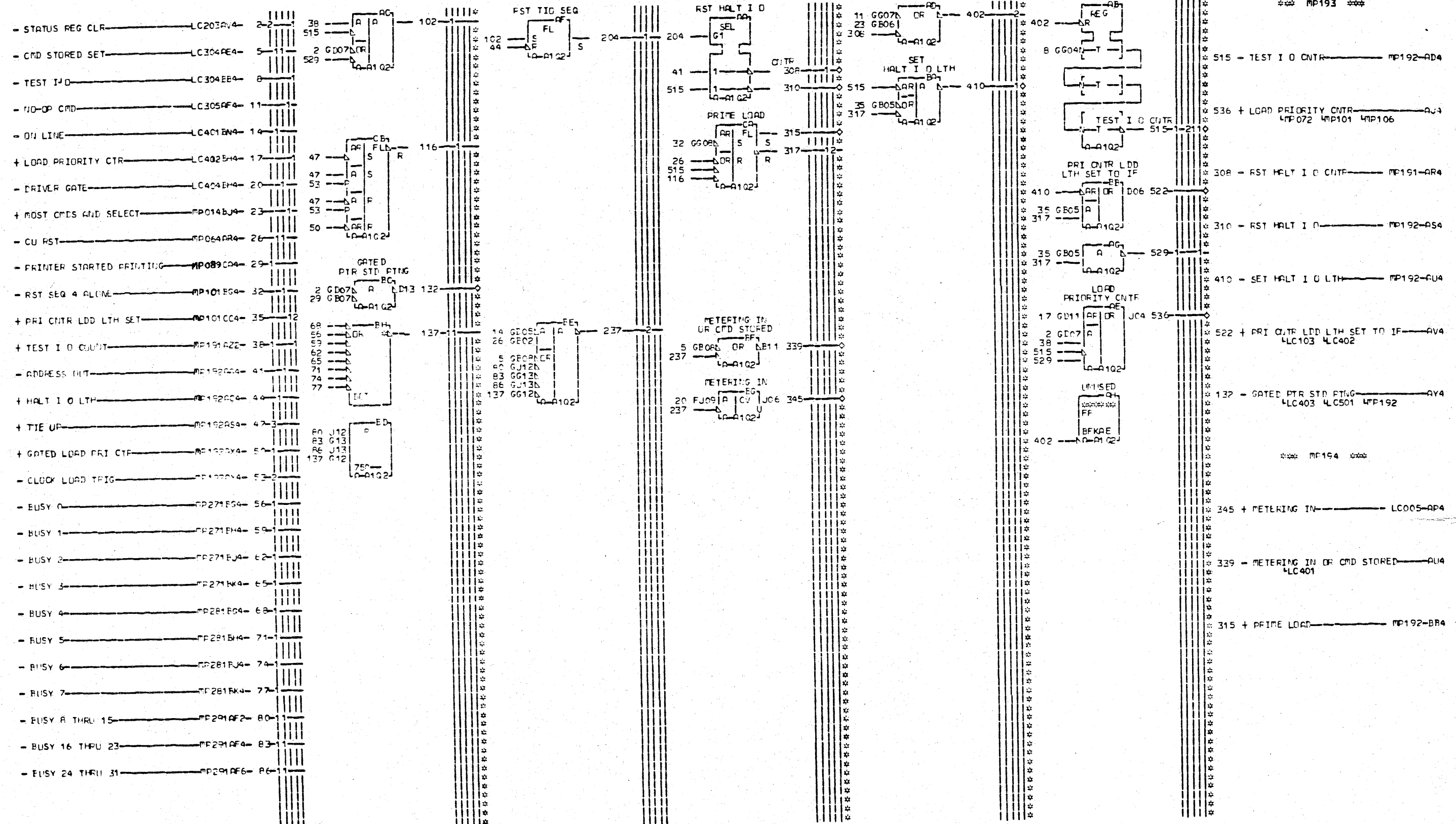
A.SIM TO PN 1832840 EC 741779

LOC. TYPE
A-A1Q2 X459

PAGE VER EC LEV
MP193 011 744148
MP194 000 743328

MP193
MP194
011

TEST I/O CONTROL-METER IN			
- E.C. HISTORY - E. MACH. 3272			
717955	FRAME	01	MP193
739542	IBM CORP. SDD		MP194
741257	DATE	LAST EC	
744148	04-04-77	743328	P.N. 1746560 011

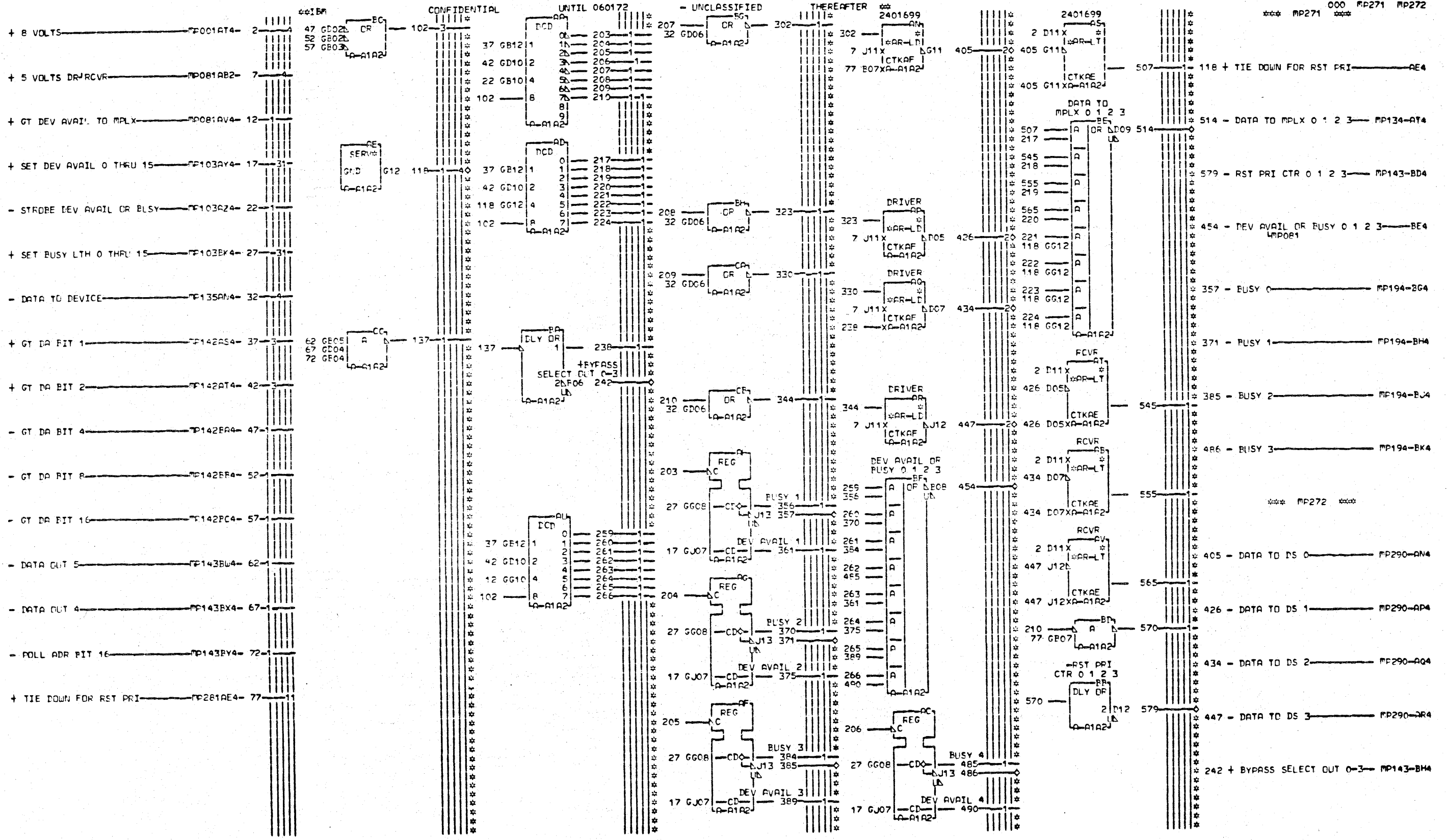


LOC. TYPE
 A1 Q2 X459

PAGE VER EC LEV
 MP193 000 739542
 MP194 000 739542

TEST ID CONTROL METER IN	
E.C. - HISTORY	C1 MACH. 3272
717955	FRAME 01 MP193
718948	IBN CORP. SDD MP194
718964	P.N. 1832640 000
DATE LAST FC	
09-24-73 739542	

MP193
 MP194
 000

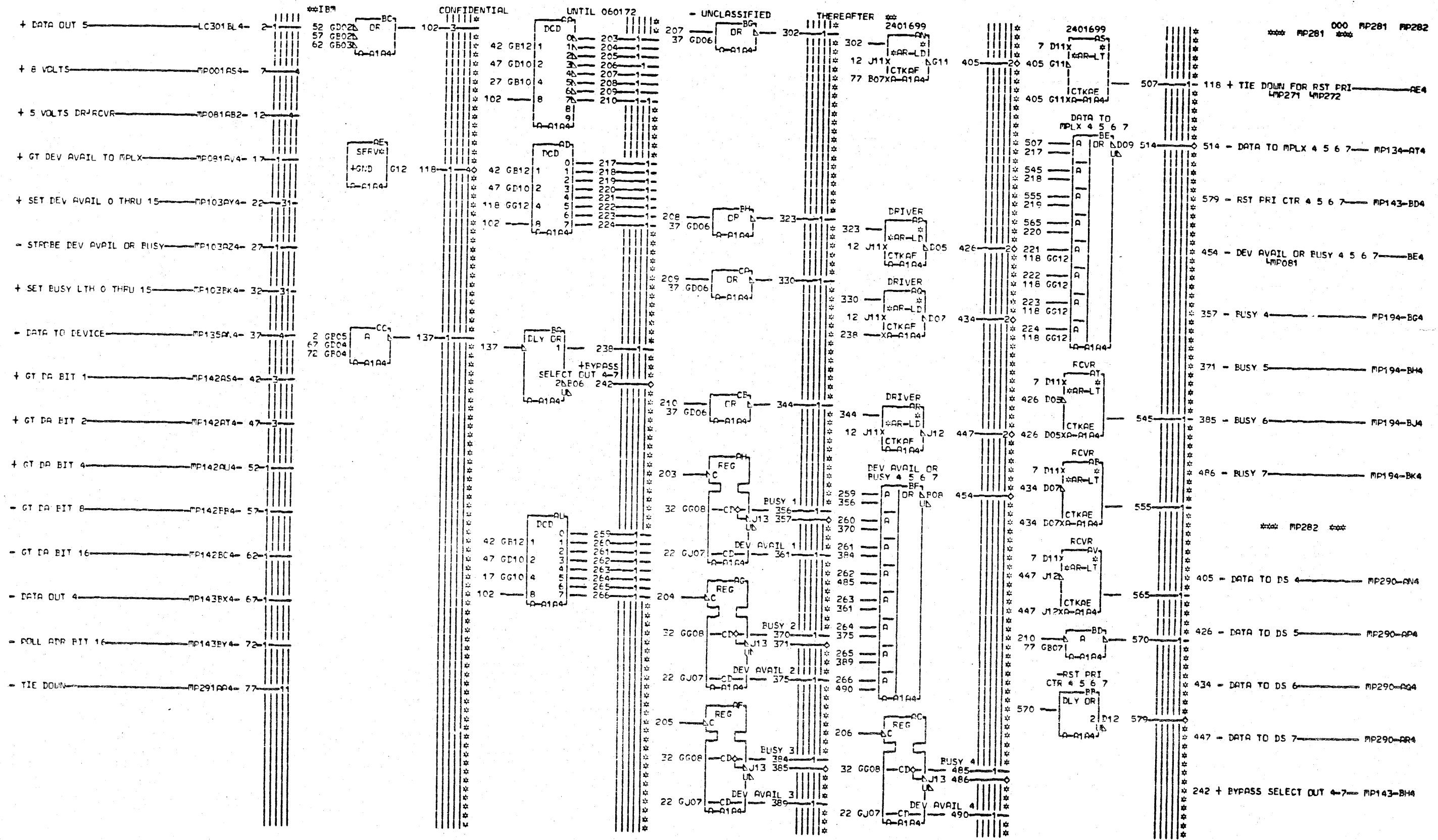


MP271
 MP272
 000

LOC. TYPE
 A-A1A2 L510

PAGE VER EC LEV
 MP271 000 717955
 MP272 000 717950

DEVICE AVAILABLE AND BUSY LATCHES AND RECEIVER DRIVERS	
717471	FRAME 01 MP271
716956	IBN CORP. KN MP272
717950	
DATE LAST EC	P.No 1823076 000
07-12-72 717955	



MP281
MP282
000

LOC. TYPE
A-A1A4 L510
PAGE VER EC LEV
MP281 000 717955
MP282 000 717950

DEVICE AVAILABLE AND BUSY
LATCHES RECEIVER DRIVERS
E.C. HISTORY B. MACH. 3272
717471
716956
717950
DATE LAST EC
07-14-72 717955
FRAME 01 MP281
IBM CORP. KN MP282
P.No. 1B23078 000

**IBM

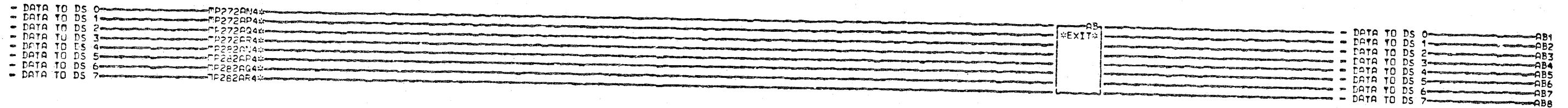
CONFIDENTIAL

UNTIL 060172

- UNCLASSIFIED

THEREAFTER **

000 RP290



PLAN 0

000 SIM TO PN 1560336 EC 715630

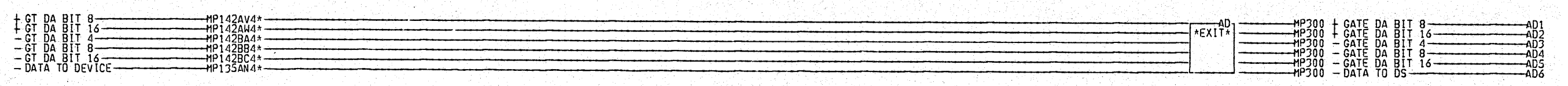
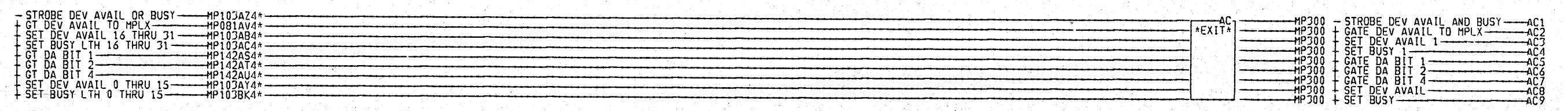
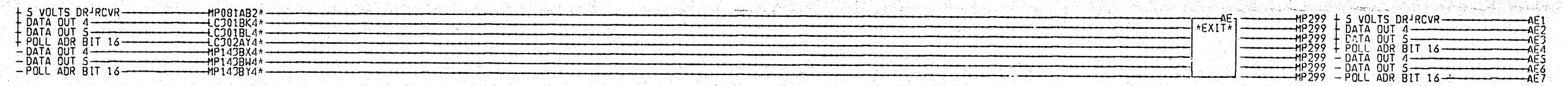
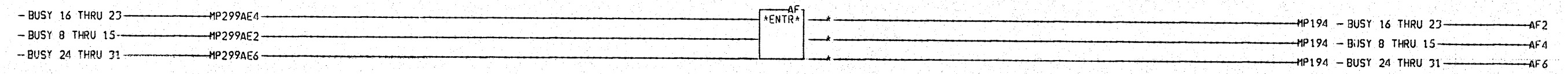
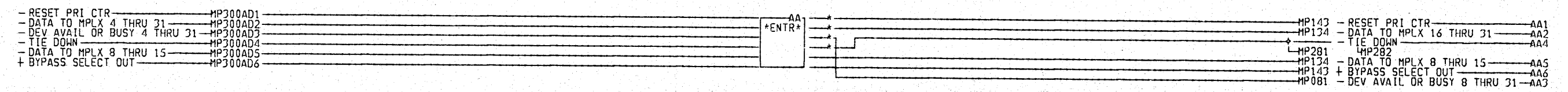
MP272AN4 01A-A1C6A04
 01A-A1A6E02 MP282AP4
 MP272AP4 01A-A1C6B02
 01A-A1B6A04 MP282AQ4
 MP272AQ4 01A-A1C6C04
 01A-A1B6B02 MP282AR4
 MP272ARA 01A-A1C6D02
 01A-A1B6C04
 MP282AN4

LOC. TYPE

ENTRY EXIT	
E.C. HISTORY	MACH. 3272
FRAME	
IBR CORP.	
DATE LAST EC	P.N. 1823080
01-21-72 717471	

RP290

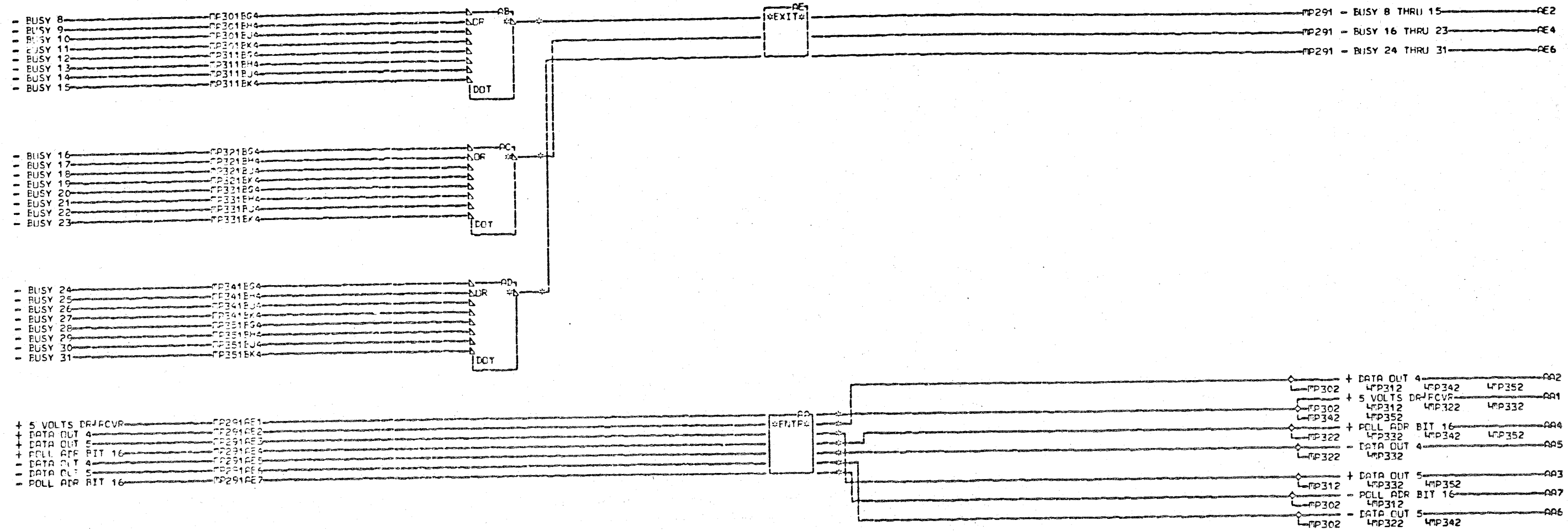
000



M	LC301BK4	01A-A1M6E04	MP103BK4	01A-A1N6C02	MP142BC4	01A-A1L6E04	AF4
P	01A-A1J6D04	MP103AB4	01A-A1M6A04	MP142AV4	01A-A1N6A04	AA2	01A-A1H6D02
2	LC301BL4	01A-A1M6C02	MP135AN4	01A-A1N6C04	MP143BH4	01A-A1M6A02	AF6
9	01A-A1J6C04	MP103AC4	01A-A1M6D04	MP142AW4	01A-A1H6E04	AA3	01A-A1L6D02
1	LC302AY4	01A-A1M6B02	MP142AS4	01A-A1N6B02	MP143BX4	01A-A1L6D02	
	01A-A1J6B04	MP103AY4	01A-A1N6E02	MP142BA4	01A-A1J6A04	AA4	
	MP081AB2	01A-A1L6E02	MP142AT4	01A-A1N6B04	MP143BY4		
011	01A-A1H6C02	MP103AZ4	01A-A1N6D04	MP142BB4	01A-A1J6D02	AF2	
	SIM TO PN 1564267 EC 743328	MP081AV4	01A-A1M6C04	MP142AU4	01A-A1N6A02	AA1	01A-A1H6E02

LOC. TYPE

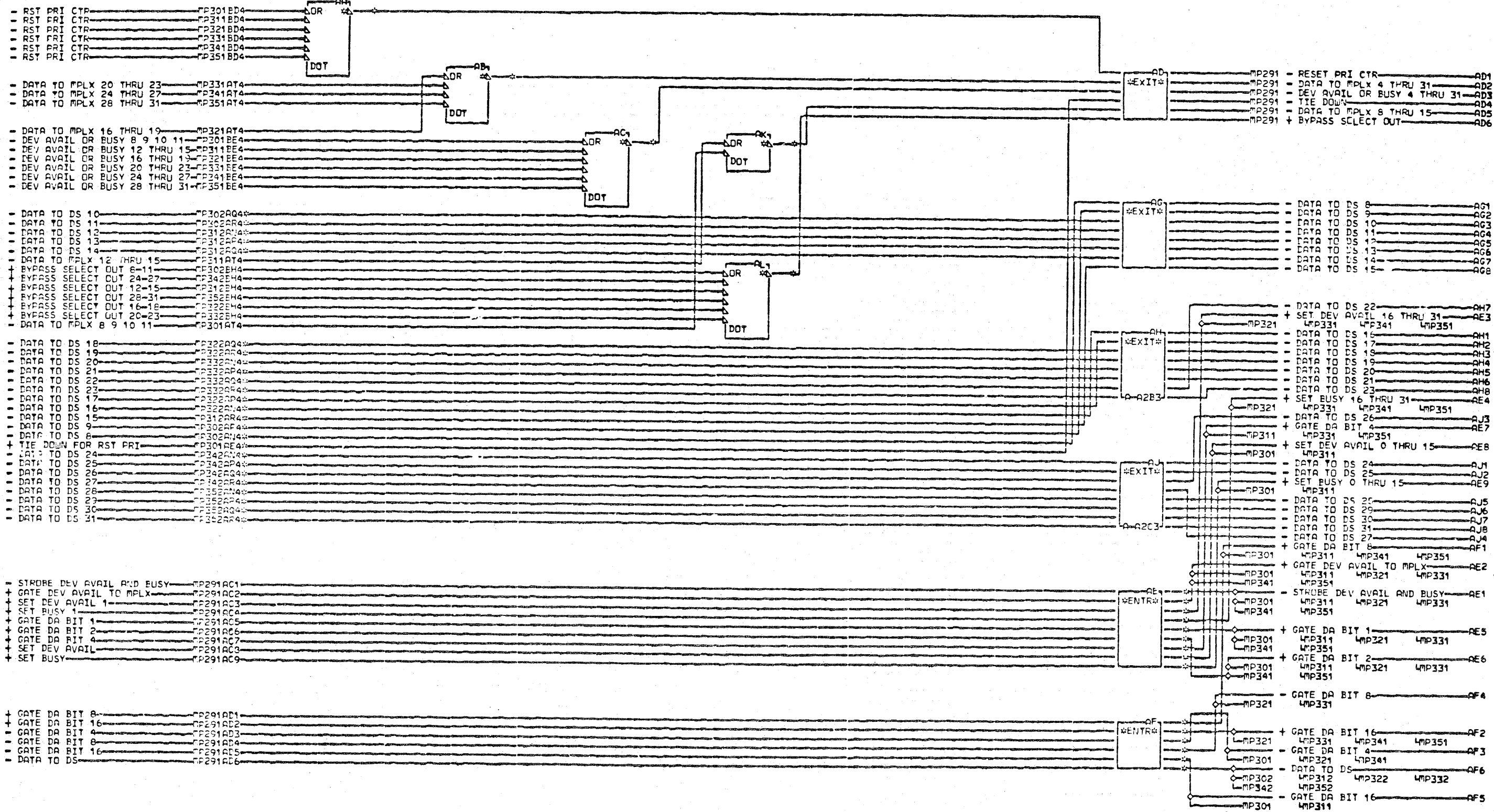
ENTRY EXIT	
-E-C-HISTORY	-E-MACH.3272
741257	FRAME
744148	IBM CORP.
DATE	LAST EC
04-04-77	743328
P.N.	1746563



- AA1 A-A2E2D11
- AA2 A-A2E2B05
- AA3 A-A2E2B05
- AA4 A-A2E2B07
- AA5 A-A2E2B08
- AA6 A-A2E2B09
- AA7 A-A2E2D05
- AA8 A-A2E2D10
- AA9 A-A2E2D09
- AC2 A-A2E2D09

LOC. TYPE

ENTRY EXIT	
E.C. HISTORY	P. MACH. 3272
716956	FRAME 01
717483	IBM CORP.
717950	P.No. 1564042
DATE	LAST EC
07-14-72	717955



MP301AE4	MP312AP4	MP322AR4	MP342AP4	MP352AR4	AE3	AE9	AF6
01A-A2D2B13	01A-A2A2B10	01A-A2B2D06	01A-A2C2D04	01A-A2C2B12	01A-A2D2D09	01A-A2D2B11	01A-A2D2B08
MP302AN4	MP312AQ4	MP332AN4	MP342AQ4	AR2	AE4	AF1	AK2
01A-A2A2B03	01A-A2A2D11	01A-A2B2D09	01A-A2C2B05	AB2	01A-A2D2D10	01A-A2D2B04	01A-A2D2B10
MP302AP4	MP312AR4	MP332AP4	MP342AR4	AC2	01A-A2D2D11	01A-A2D2D05	01A-A2E2B04
01A-A2A2D04	01A-A2A2B12	01A-A2B2B10	01A-A2C2D06	AD2	01A-A2D2D02	01A-A2D2D05	
MP302AQ4	MP322AN4	MP332AQ4	MP352AN4	AE6	01A-A2D2D02	01A-A2D2B05	
01A-A2A2B05	01A-A2B2B03	01A-A2B2D11	01A-A2C2D09	AE7	01A-A2D2D13	01A-A2D2B05	
MP302AR4	MP322AP4	MP332AR4	MP352AP4	AE1	01A-A2D2B09	01A-A2D2B06	
01A-A2A2D06	01A-A2B2D04	01A-A2B2B12	01A-A2C2B10	AE2	01A-A2D2D04	01A-A2D2B06	
MP312AN4	MP322AQ4	MP342AN4	MP352AQ4	AE8	AF5		
01A-A2A2D09	01A-A2B2B05	01A-A2C2B03	01A-A2C2D11	01A-A2D2B07	01A-A2D2D12	01A-A2D2B06	

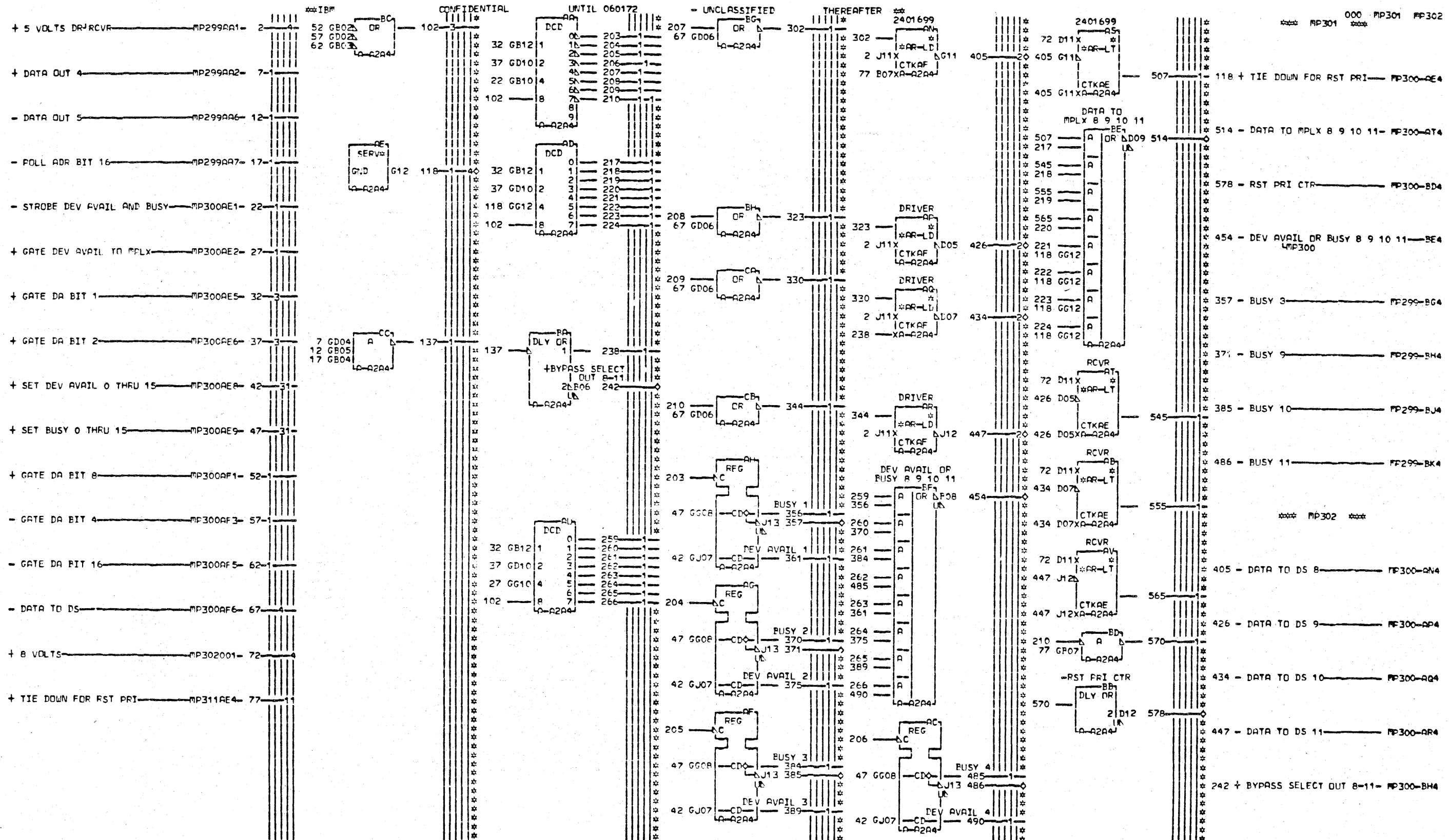
LOC. TYPE

ENTRY EXIT	
E.C. HISTORY	B. MACH. 3272
717471	716956
DATE	LAST EC
03-16-72	717483
IBR CORP.	FRAME
P.No. 1823082	

000

000

082

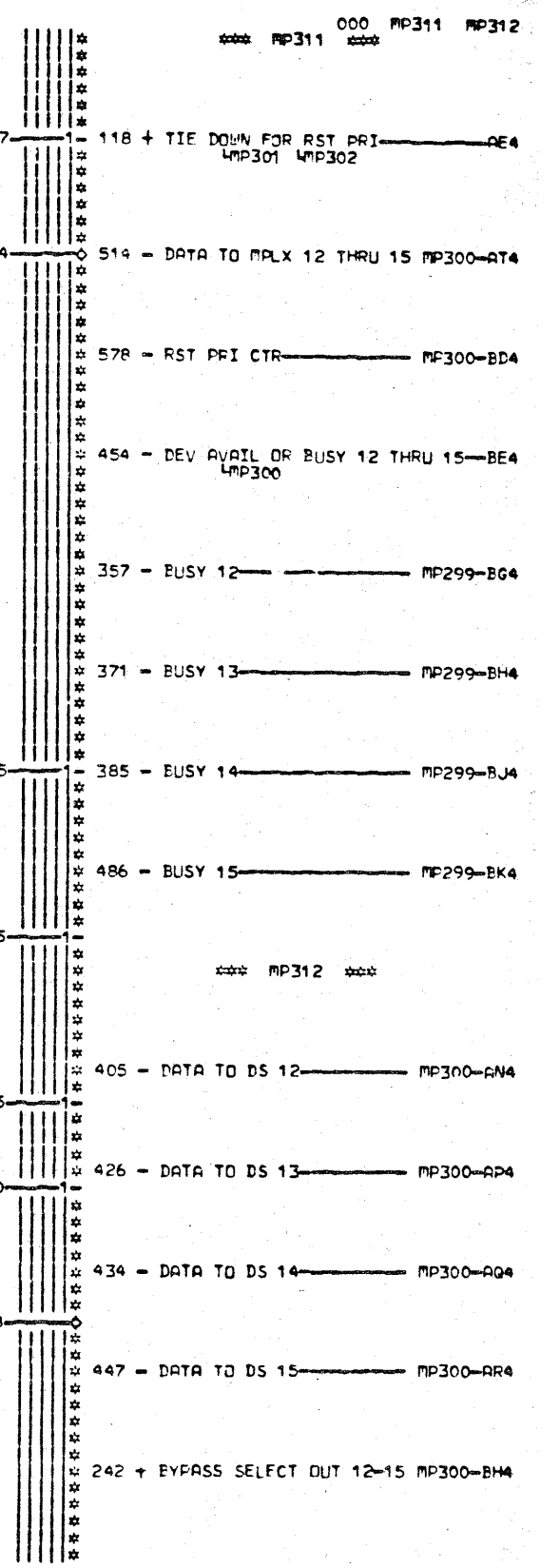
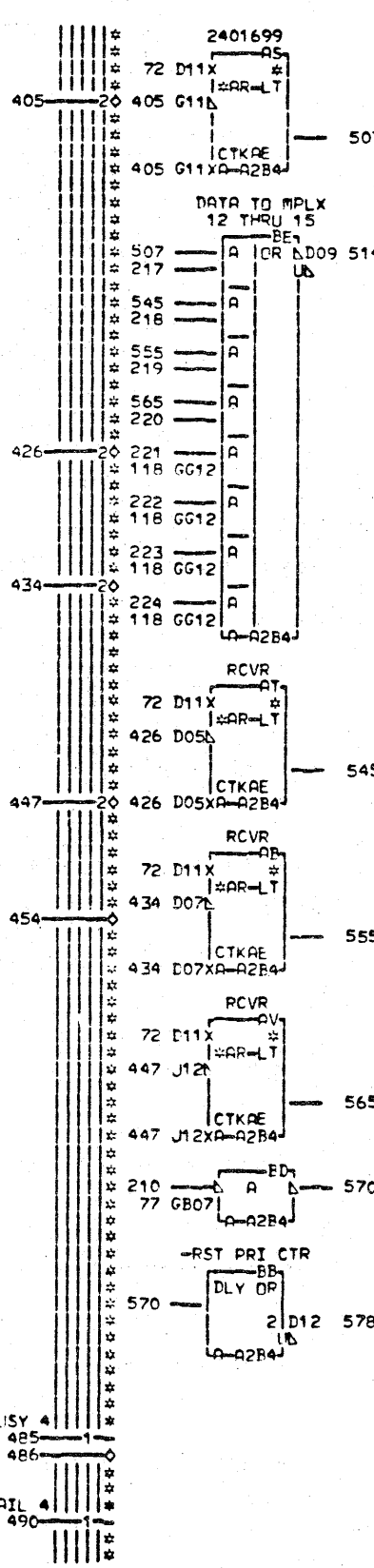
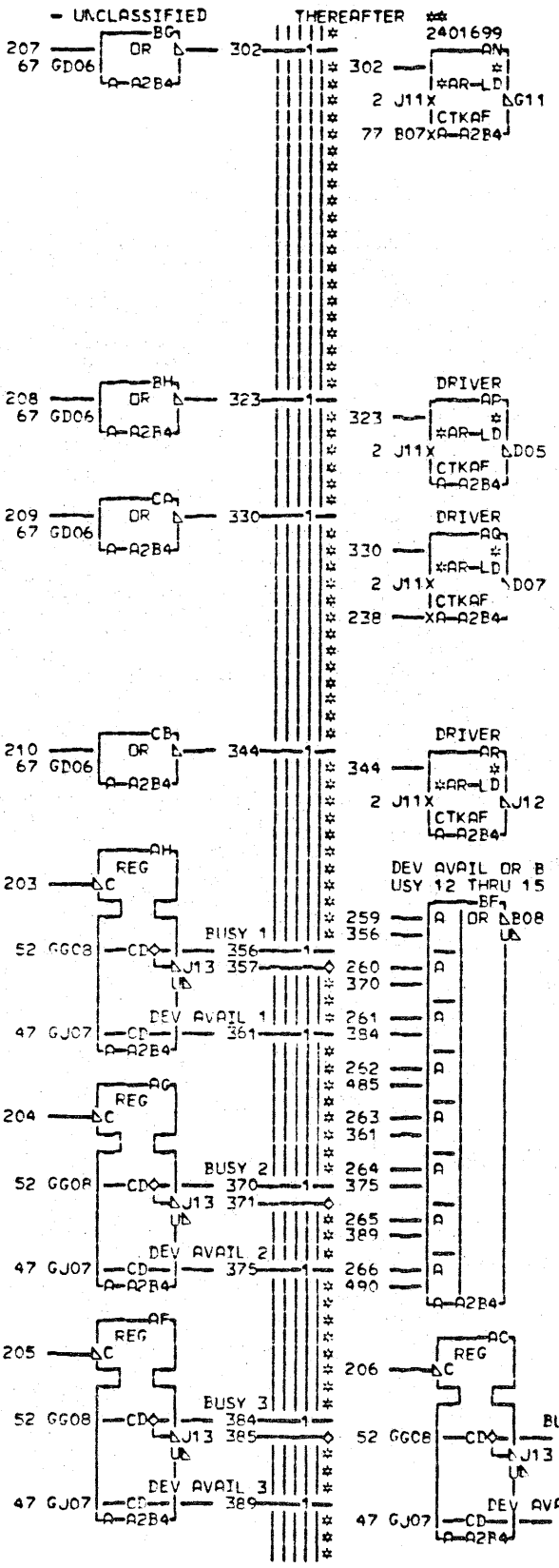
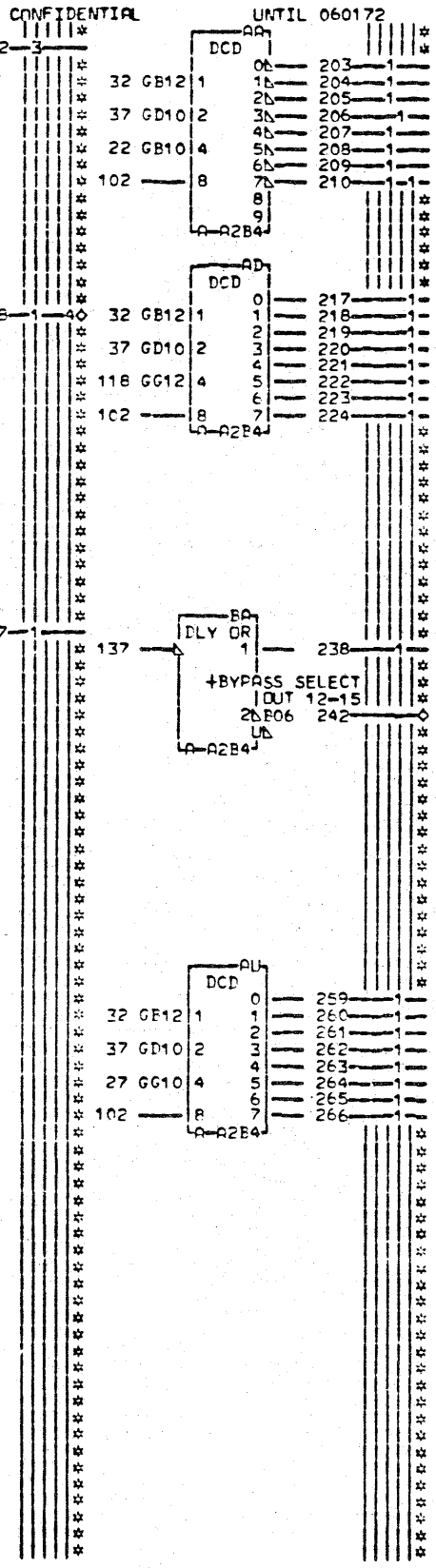
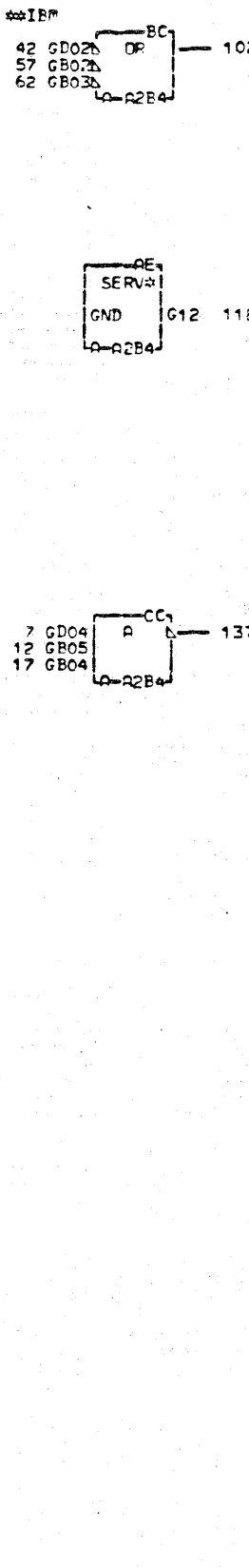
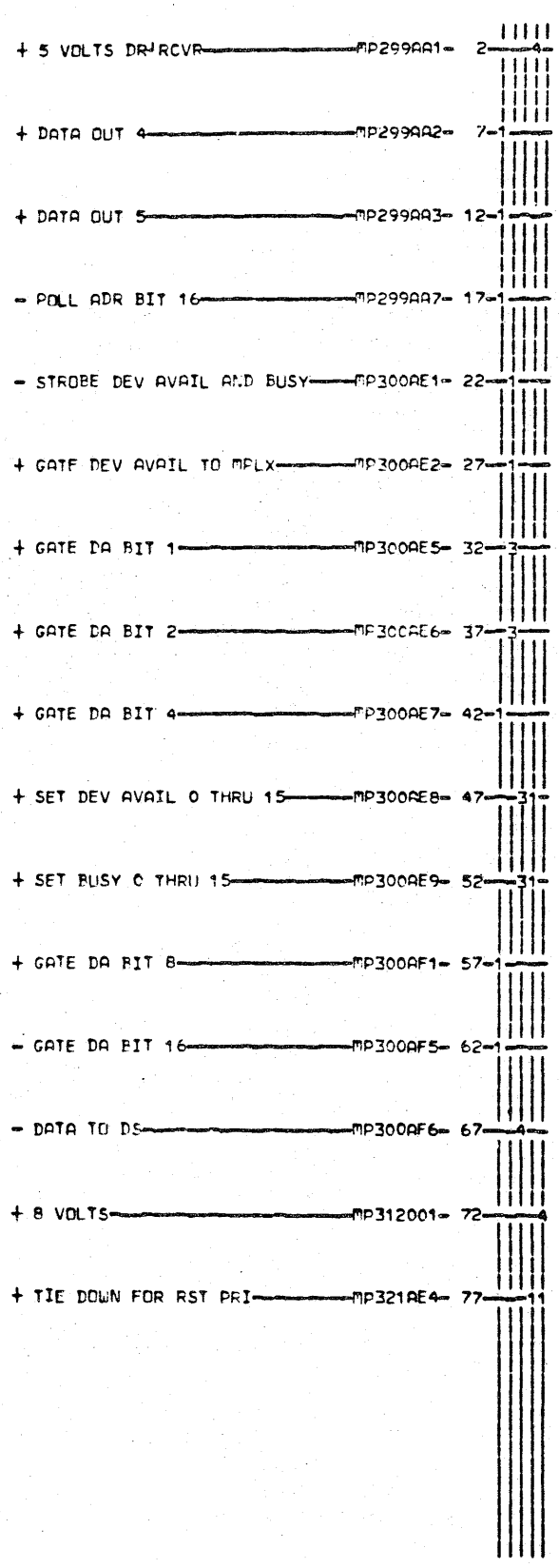


LOC. TYPE
A-A2A4 LS10

PAGE VER EC LEV
MP301 000 717950
MP302 000 717950

DEVICE AVAILABLE AND BUSY LATCHESO RECEIVER DRIVERS			
E-C-HISTORY-MACH-3272			
717471	FRAME	01	MP301
716956	IBN	CORP-EN	MP302
DATE	LAST EC	P-NO	000
07-07-72	717950	1823083	

MP301
MP302
000

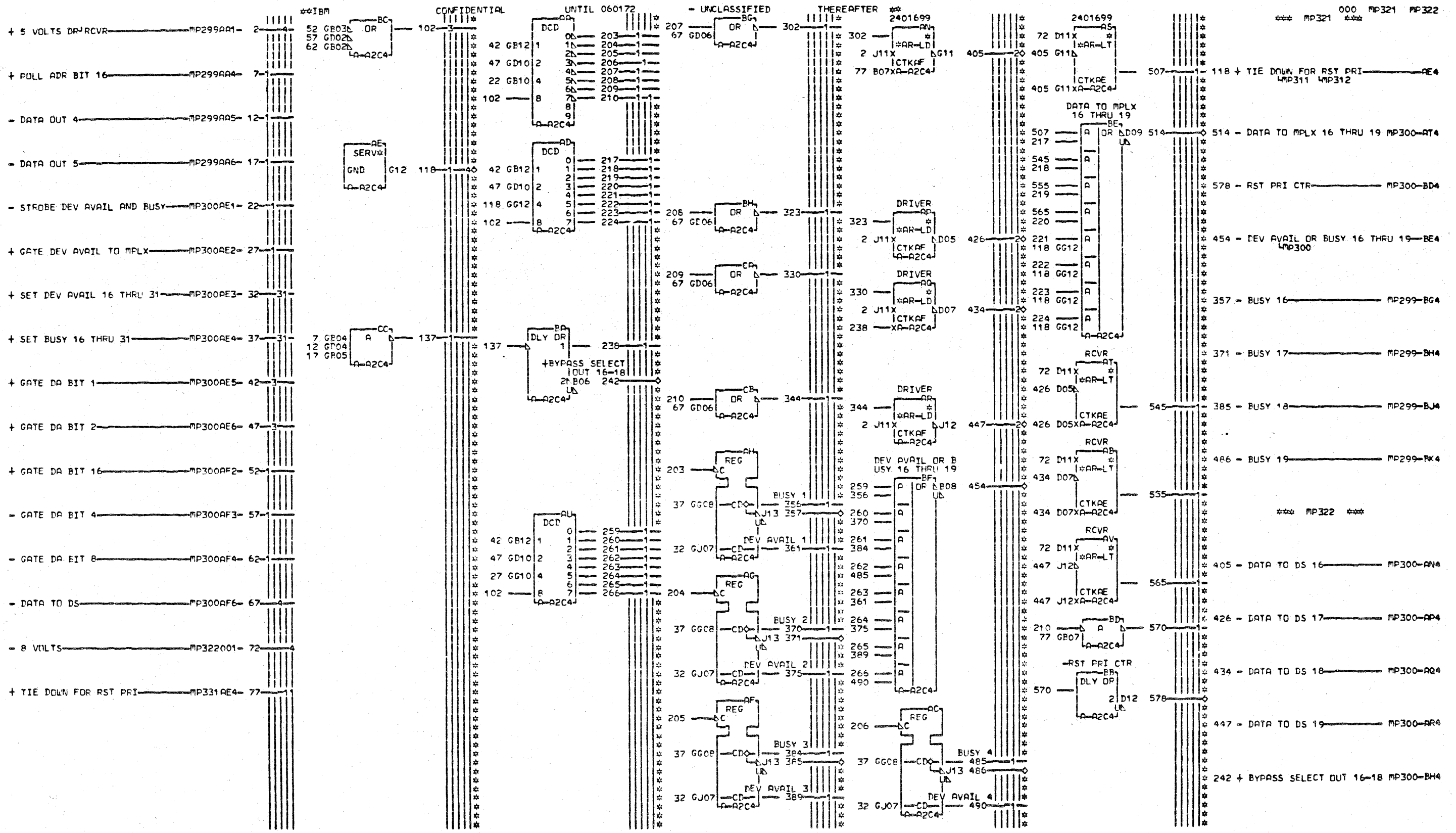


LOC. TYPE
A-A2B4 L510

PAGE VER EC LEV
MP311 000 717950
MP312 000 717950

DEVICE AVAILABLE AND BUSY LATCHES RECEIVER DRIVERS		
E.C. HISTORY MACH. 3272		
717471	FRAME 01	MP311
716956		
DATE LAST EC	IBM CORP. KN	MP312
07-07-72 717950	P.No. 1823084	000

MP311
MP312
000

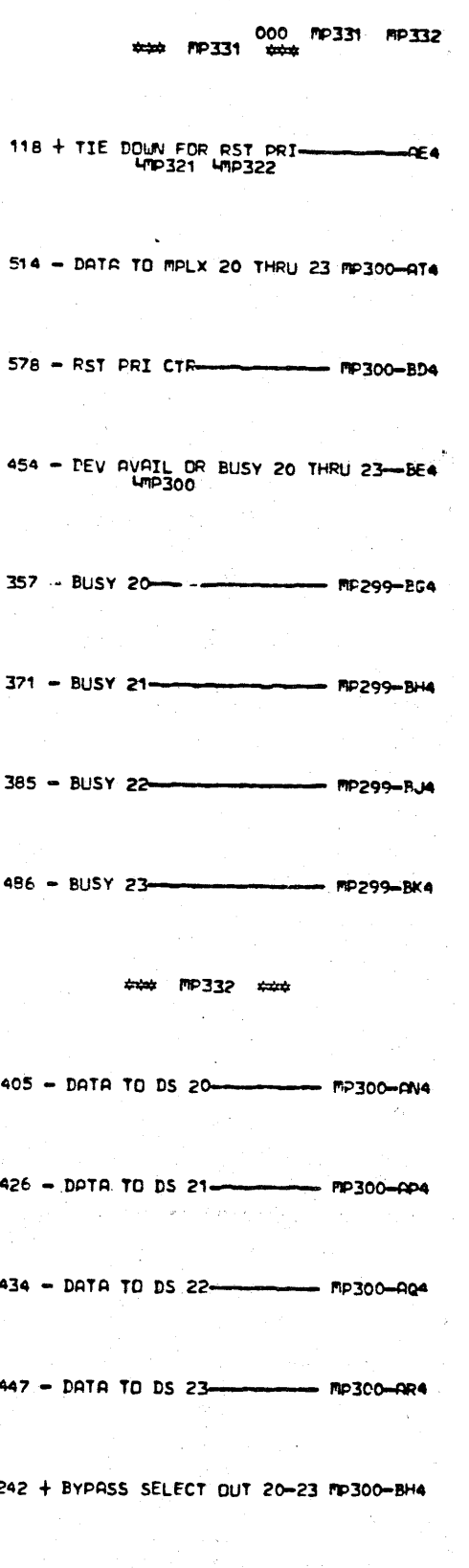
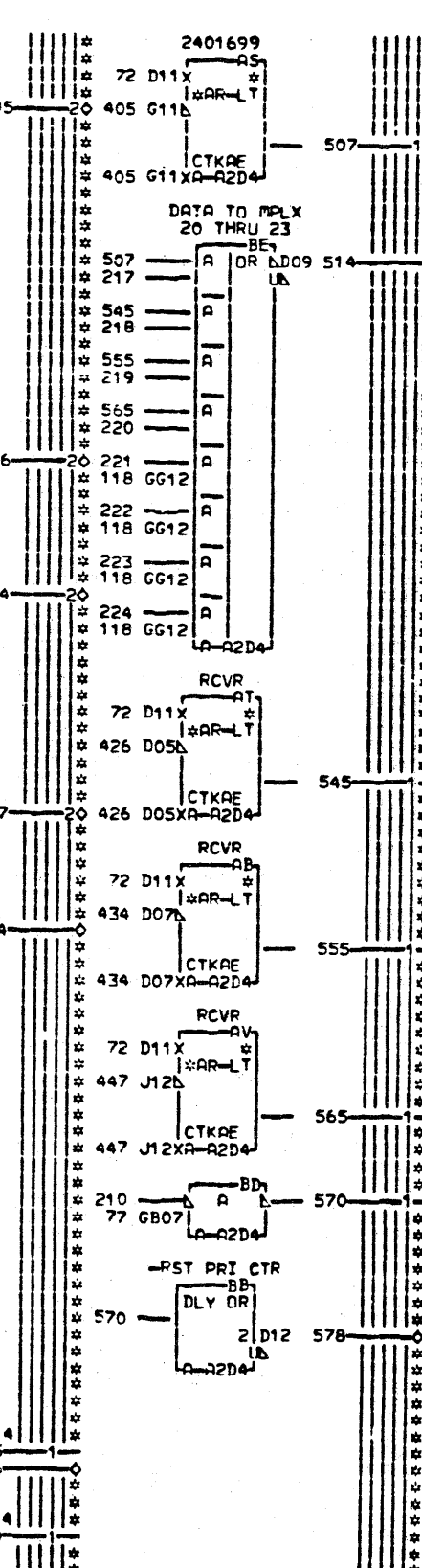
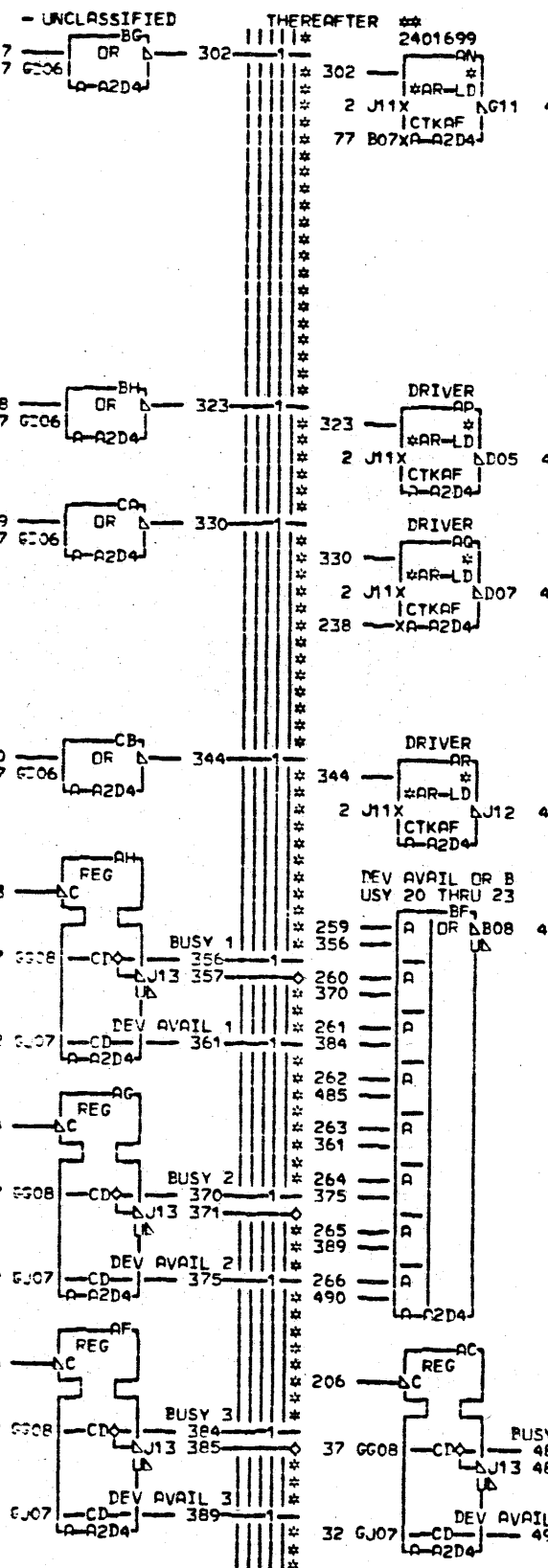
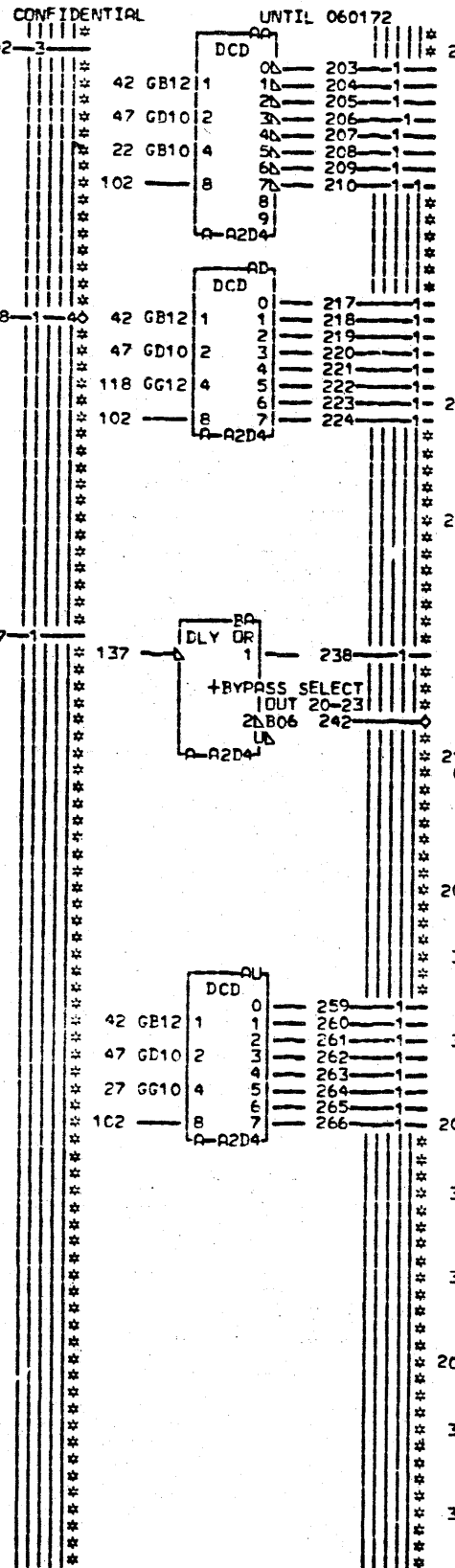
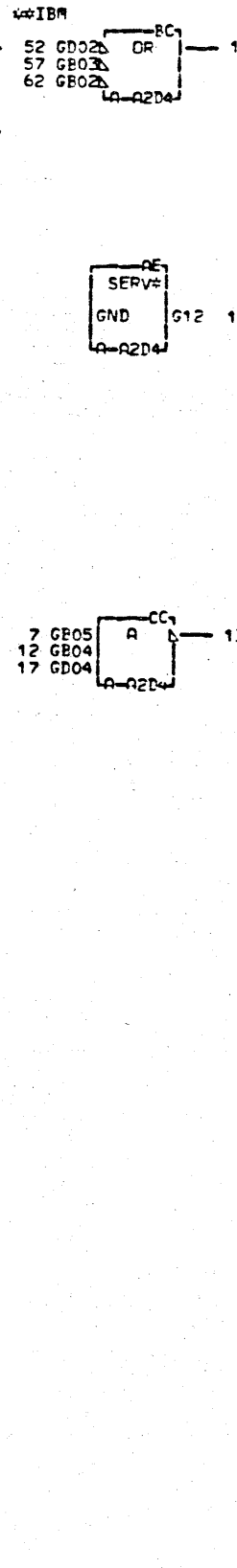
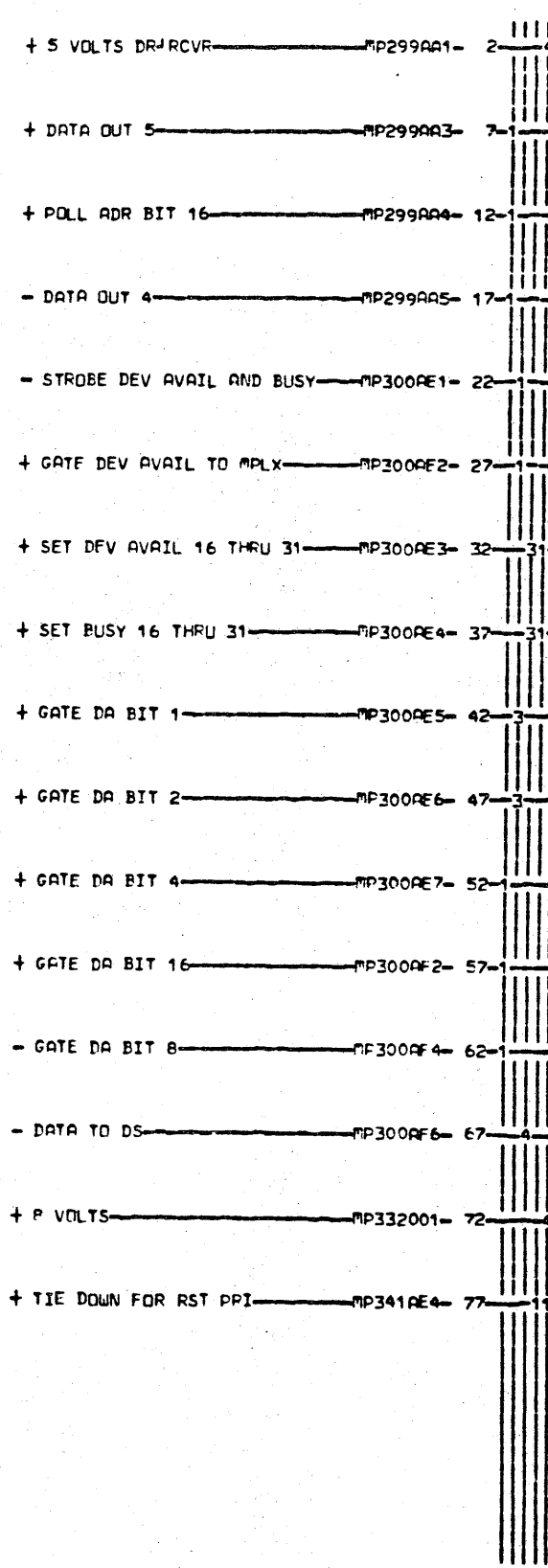


LOC. TYPE
A-A2C4 L510

PAGE VER EC LEV
MP321 000 717950
MP322 000 717950

DEVICE AVAILABLE AND BUSY LATCHES RECEIVER DRIVERS			
E-C-HISTORY-B-MACH-3272			
717471	FRAME	01	MP321
716956	IBM CORP.	KN	MP322
DATE	LAST EC		
07-07-72	717950	P.No.	1823085 000

MP321
MP322

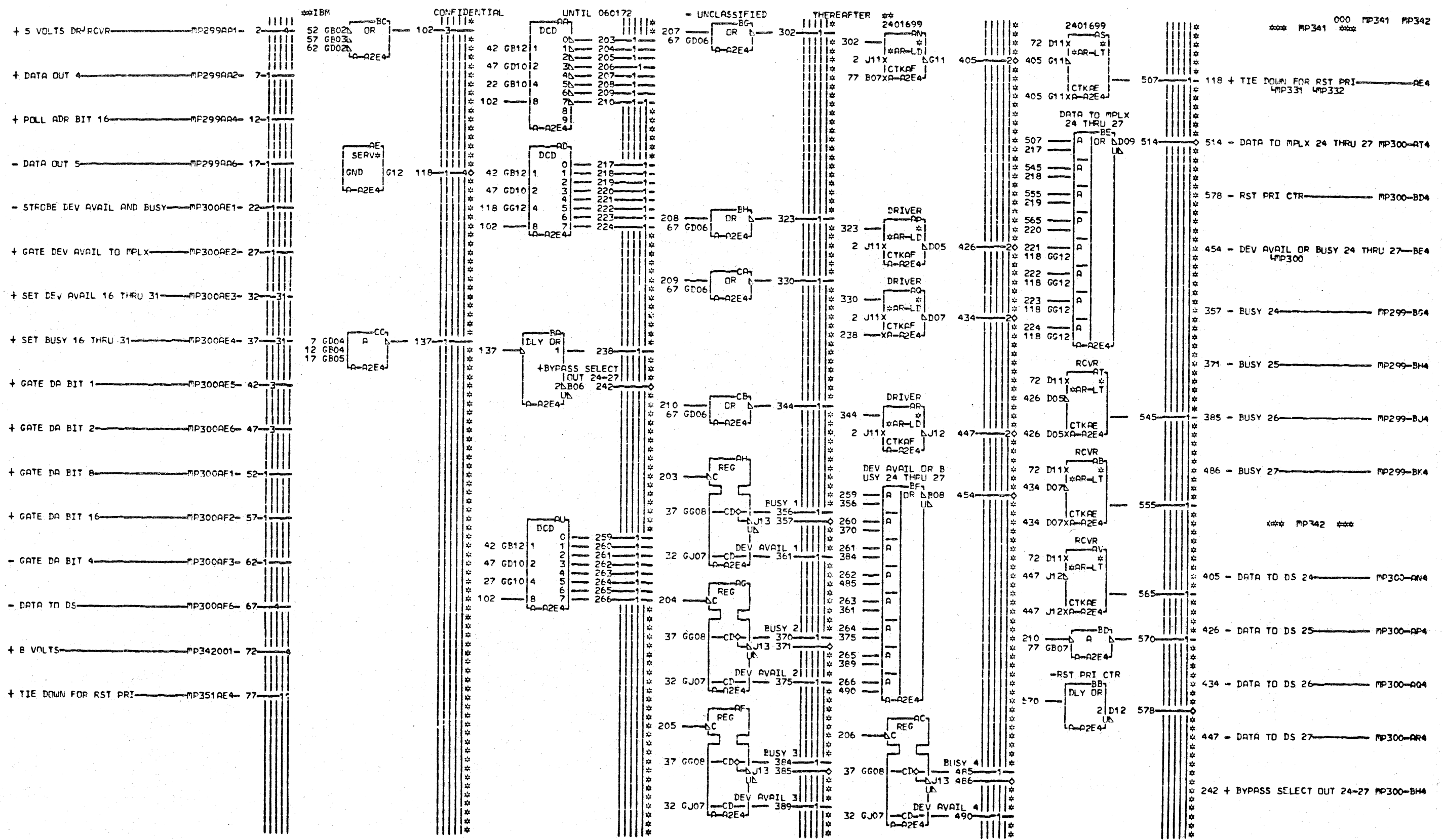


LOC. TYPE
A-A2D4 L510

PAGE VER EC LEV
MP331 000 717950
MP332 000 717950

DEVICE AVAILABLE AND BUSY LATCHES RECEIVER DRIVERS	
E-C-HISTORY	MACH# 3272
717471	FRAME 01 MP331
716956	IBN CORP#KN MP332
DATE LAST EC	P.No. 1823086 000
07-07-72 717950	

MP331
MP332
000

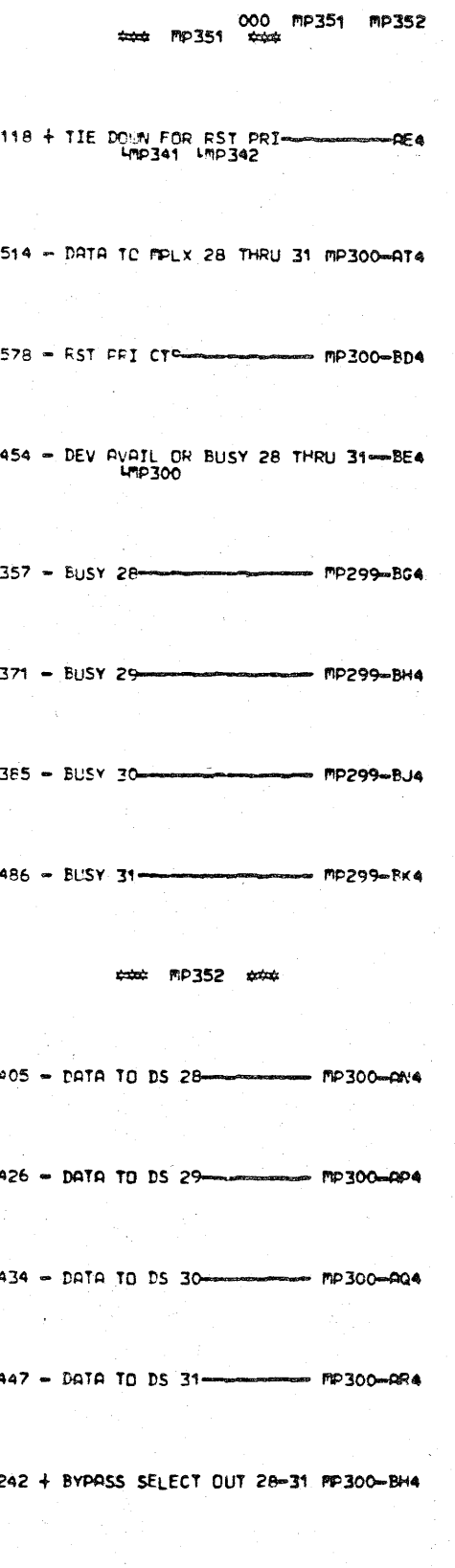
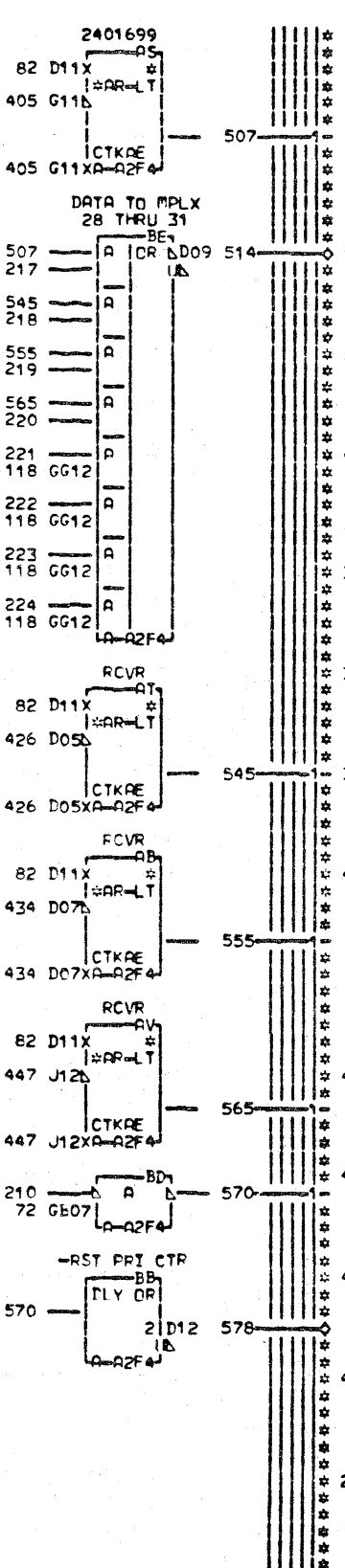
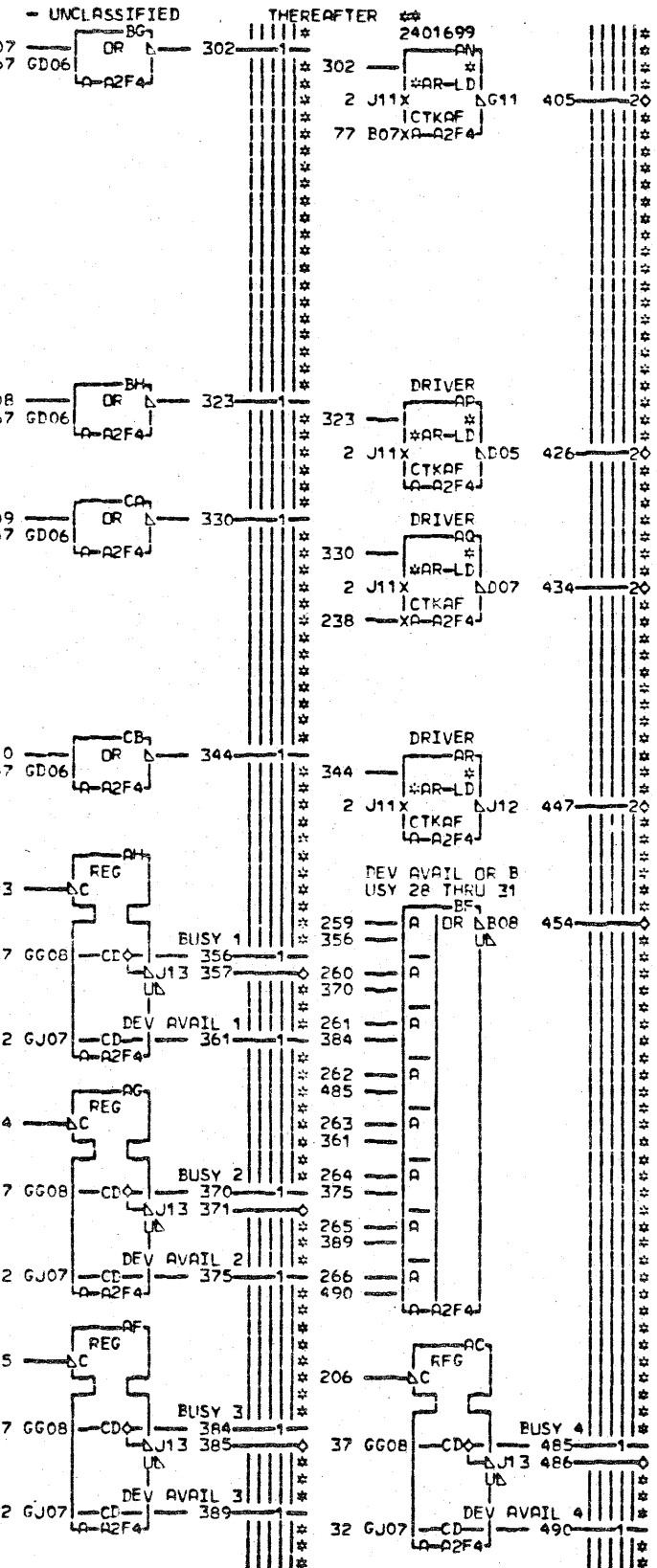
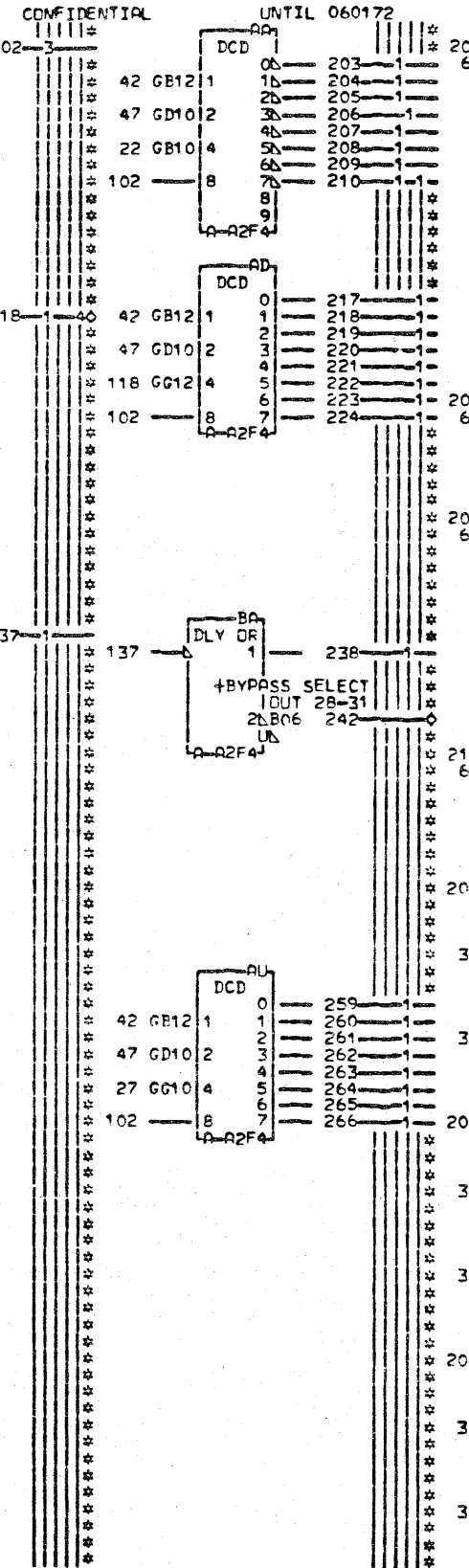
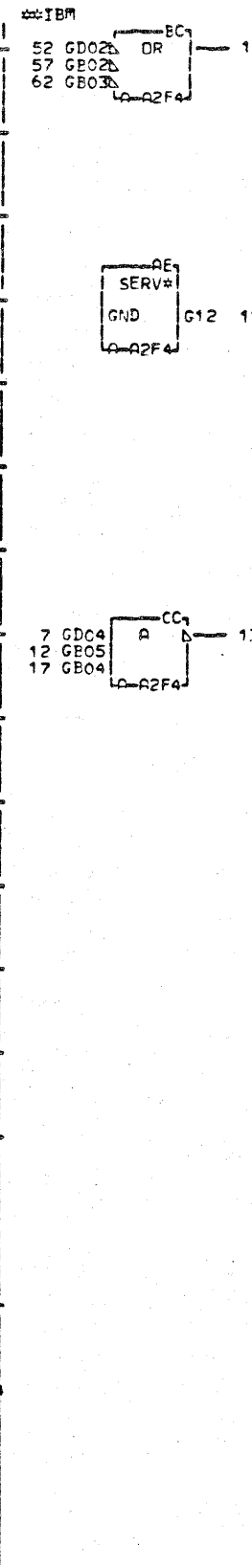
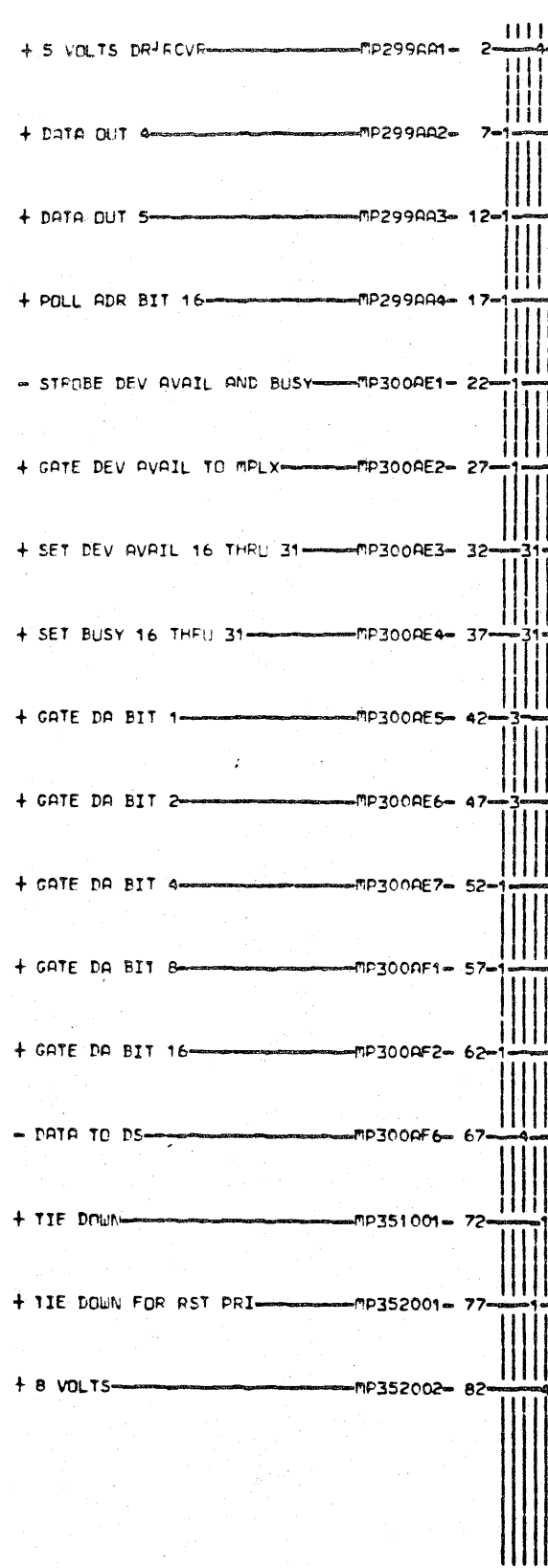


LOC# TYPE
A-A2E4 L510

PAGE VER EC LEV
MP341 000 717950
MP342 000 717950

DEVICE AVAILABLE AND BUSY LATCHES RECEIVER DRIVERS			
F.C. HISTORY - B. MACH. 3272			
717471	FRAME	01	MP341
716956	IBM CORP.	KN	MP342
DATE LAST EC	P.No.	1823087	000
07-07-72	717950		

MP341
MP342
000



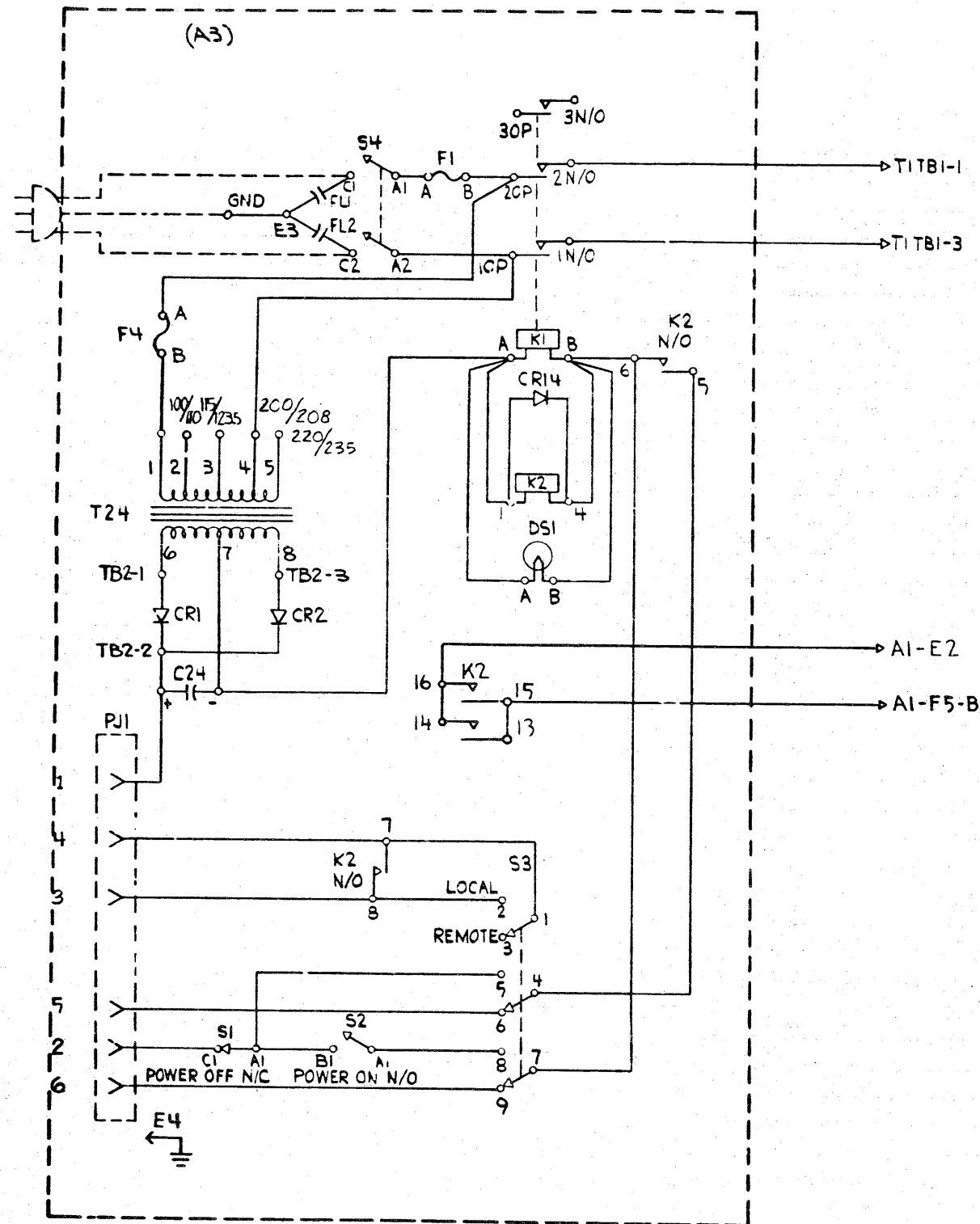
LDC TYPE
A-A2F4 L510

PAGE VER EC LEV
MP351 000 717950
MP352 000 717950

DEVICE AVAILABLE AND BUSY
LATCHES RECEIVER DRIVERS
E.C. HISTORY MACH. 3272
717471 FRAME 01 MP351
716936 IBM CORP. KN MP352
DATE LAST EC P.No 1823088 000
07-07-72 717950

MP351
MP352
000

REFERENCE DRAWING



CODE	DESCRIPTION	PART NO
A1	PRINTED CIRCUIT BOARD ASM	25E2962
A2	REGULATOR CARD -12V	2481207
A3	PRIME PWR BOX	2482992
CI&C2	CAPACITOR 240K μ F 75V	5252526
C3	CAPACITOR 3.1K μ F 25V	+83107
C4	CAPACITOR 49K μ F 10V	5709382
C24	CAPACITOR 1.3K μ F 50V	5213798
FL1&FL2	CAPACITOR, FILTER .01 μ F	737805
C5	CAPACITOR, AC 4 μ F 660V	2582939
CR1,CR2 CR5-CR8,CR13,CR14	DIODE 1AMP 180V	5214324
CR3&CR4	DIODE 10AMP 50V	598479
CR9-CR12	DIODE 3AMP 100V	1149212
DS1	LAMP 24V	5376712
F5	FUSE 15AMP MB 250V	5236559
F2	FUSE 1AMP SB 250V	303549
F3	FUSE 5AMP SB 125V	512137
F4	FUSE 0.1AMP SB 250V	304883
K1	CONTACTOR	2145046
K2	RELAY 24V	824339
F1	FUSE 1AMP SB 250V FUSE 2AMP SB 125V	NOTE [2] NOTE [3]
S1	SWITCH CONTROL	5252633
S2	SWITCH CONTROL	725349
S3	SWITCH ROTARY	5263712
S4	SWITCH LINE	5214955
T1	FERRO 60HZ	2582979
T24	TRANSFORMER 24V	2582953
R1	RESISTOR 3 Ω , 25W, 5%	337213
R2	RESISTOR 15 Ω , 25W, 10%	472588

NOTES

- 1 FOR REMAINDER OF WIRING DIAGRAM SEE 2481162 (YF 731)
- 2 FUSE 303549 IS REQUIRED WHEN THE UNIT IS WIRED FOR 208V OR 230V.
- 3 FUSE 332009 IS REQUIRED WHEN THE UNIT IS WIRED FOR 115V.

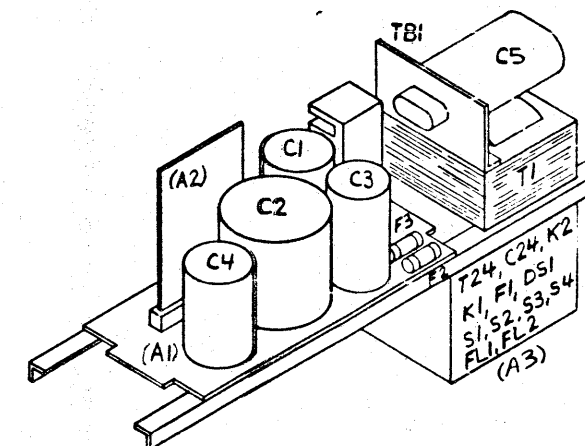
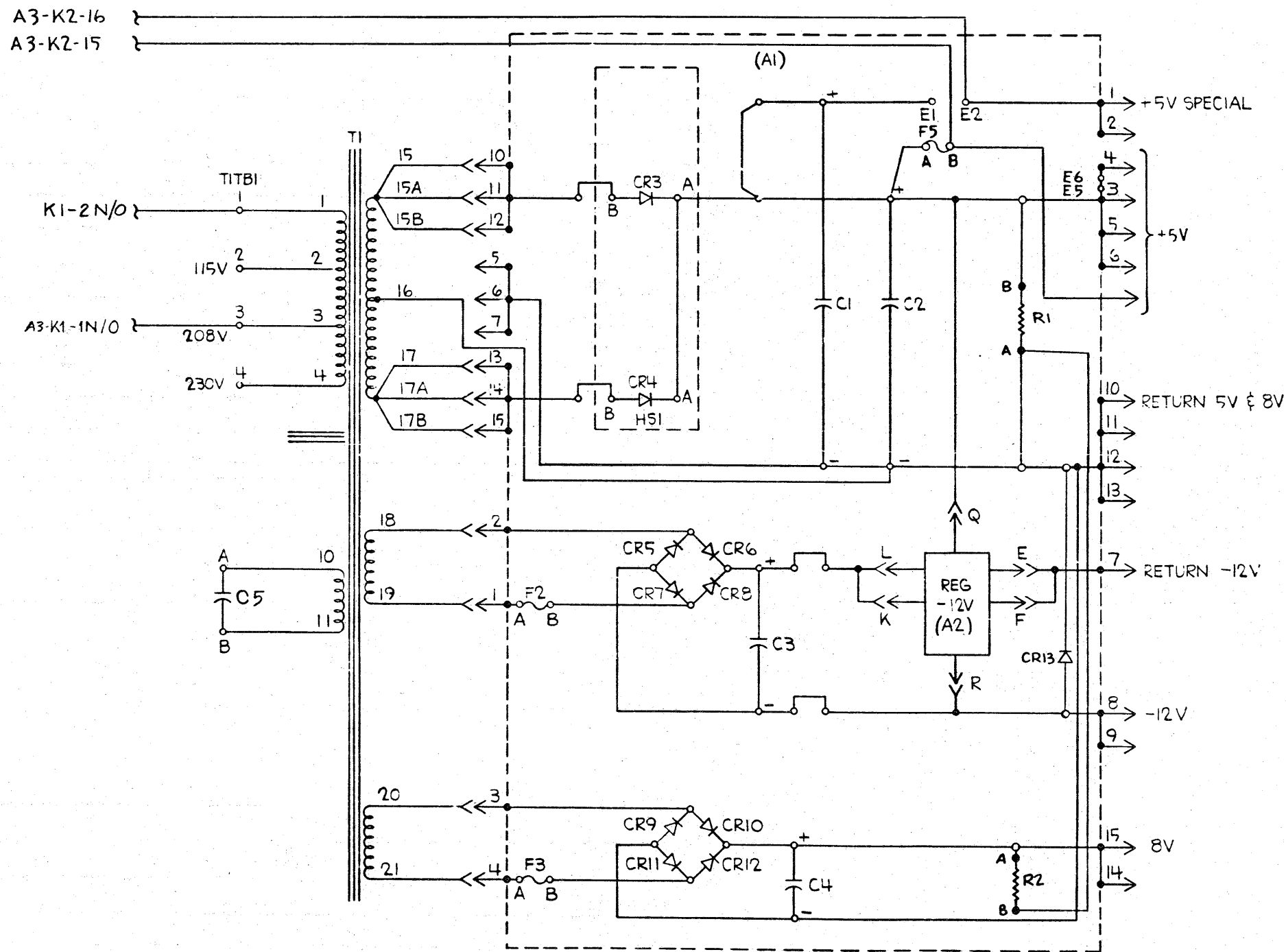
RELEASED FOR ASM 2481165 REF

EC HISTORY		DRAWING TITLE	
18 JAN 72	716732	WIRING DIAGRAM-MPX LOCAL, 60HZ	
3 MAR 72	716736	MACH	
6 JUN 72	717678	PART NO 2481161	
7 JAN 75	741280	CLASSIFICATION	IBM CORP
3 FEB 75	741298		

YF 730

REFERENCE DRAWING

FIELD USE



NOTES
1 FOR REMAINDER OF WIRING DIAGRAM
SEE 2481161 (YF730)

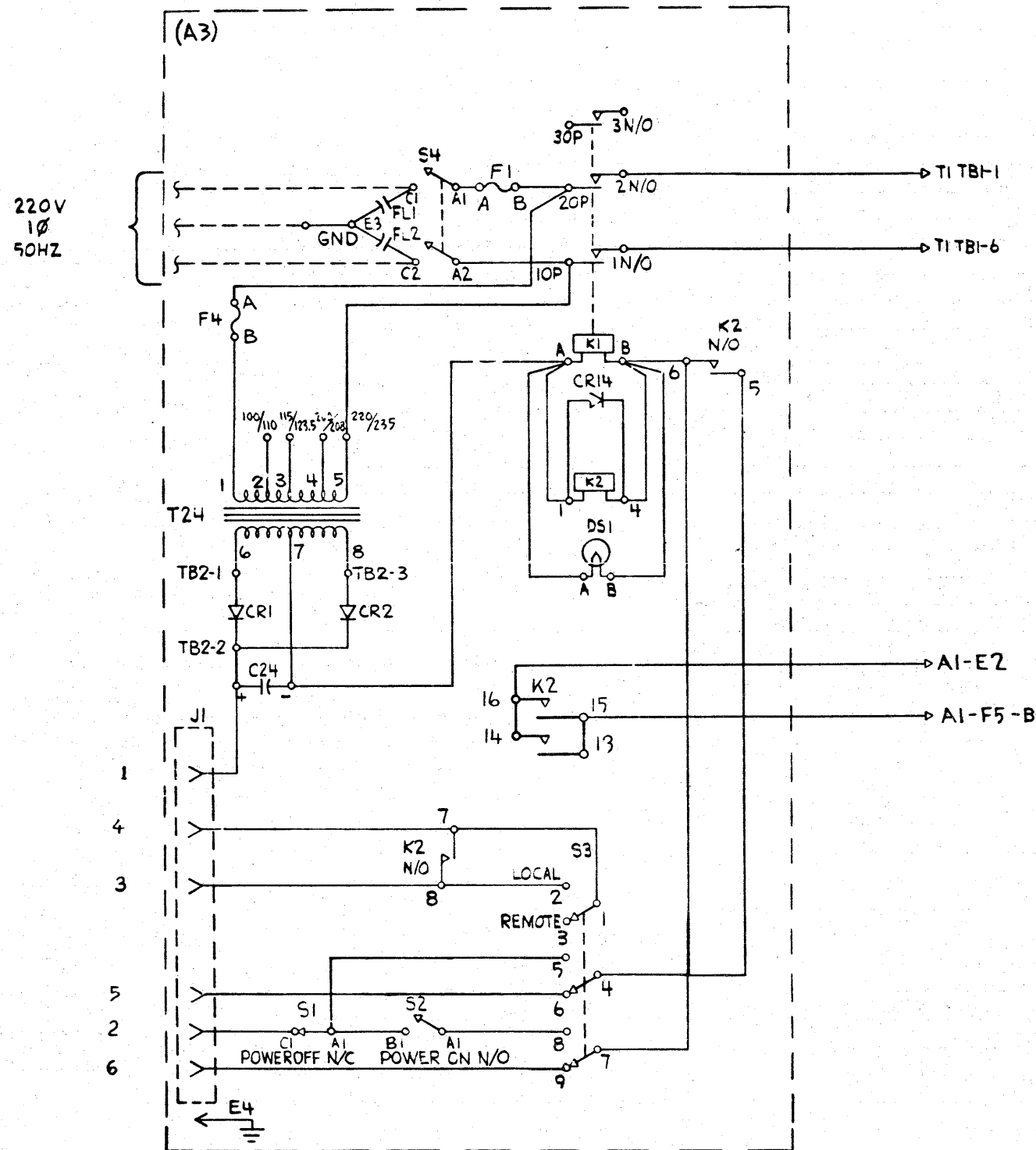
THIS DOCUMENT IS THE PROPERTY OF IBM. ITS USE IS AUTHORIZED ONLY FOR RESPONDING TO A REQUEST FOR QUOTATION OR FOR THE PERFORMANCE OF WORK FOR IBM. ALL QUESTIONS MUST BE REFERRED TO THE IBM PURCHASING DEPARTMENT.

RELEASED FOR ASM 2481165 REF

EC HISTORY		DRAWING TITLE	
7 JAN 75	741280	WIRING DIAGRAM-MPX LOCAL, 60HZ	
3 FEB 75	741298	MACH	PART NO 2481162
D		CLASSIFICATION	IBM CORP

YF 731

REFERENCE DRAWING



NOTES

- FOR REMAINDER OF WIRING DIAGRAM SEE 2481169(YF733)
- FUSE 303549 IS REQUIRED WHEN THE UNIT IS WIRED FOR 200V, 220V OR 235V
- FUSE 332009 IS REQUIRED WHEN THE UNIT IS WIRED FOR 100V, 110V OR 123.5V

FIELD USE

YF732
ML-H

CODE	DESCRIPTION	PART NO
A1	PRINTED CIRCUIT BOARD ASM	2582962
A2	REGULATOR CARD-2V	2481207
A3	PRIME PWR BOX	2582992
CI&C2	CAPACITOR 240K UF 75V	5252526
C3	CAPACITOR 3.1K UF 25V	483107
C4	CAPACITOR 49K UF 10V	509382
C24	CAPACITOR 1.3K UF 50V	5213798
FL1+FL2	CAPACITOR, FILTER 01UF	737305
C5	CAPACITOR, AC 4UF 660V	2582939
CR1,CR2,CR3-CR8 CR13,CR14	DIODE 1AMP 180V	5214324
CR3&CR4	DIODE 10AMP 150V	598479
CR9-CR12	DIODE 3AMP 100V	1149212
DS1	LAMP 24V	5376712
F1	FUSE 1AMP SB 250V	NOTE [2]
	FUSE 2AMP SB 125V	NOTE [3]
F2	FUSE 1AMP SB 250V	303549
F3	FUSE 5AMP SB 125V	52137
F4	FUSE 0.1AMP SB 250V	304883
K1	CONTACTOR	2145046
K2	RELAY 24V	824339
F5	FUSE 15 AMP MB 250V	5236559
S1	SWITCH CONTROL	5252633
S2	SWITCH CONTROL	725349
S3	SWITCH ROTARY	7263712
S4	SWITCH LINE	5214955
T1	FERRO 50HZ	4119269
T24	TRANSFORMER 24V	2582953
R1	RESISTOR 3Ω 25W 5%	337216
R2	RESISTOR 15Ω 25W 10%	472588

RELEASED FOR ASM 2481152 REF.

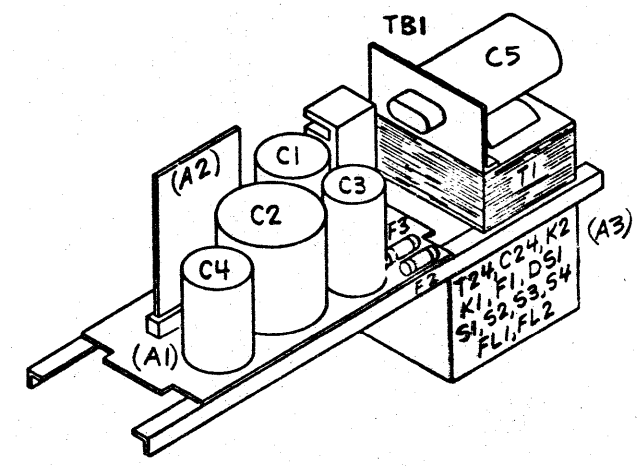
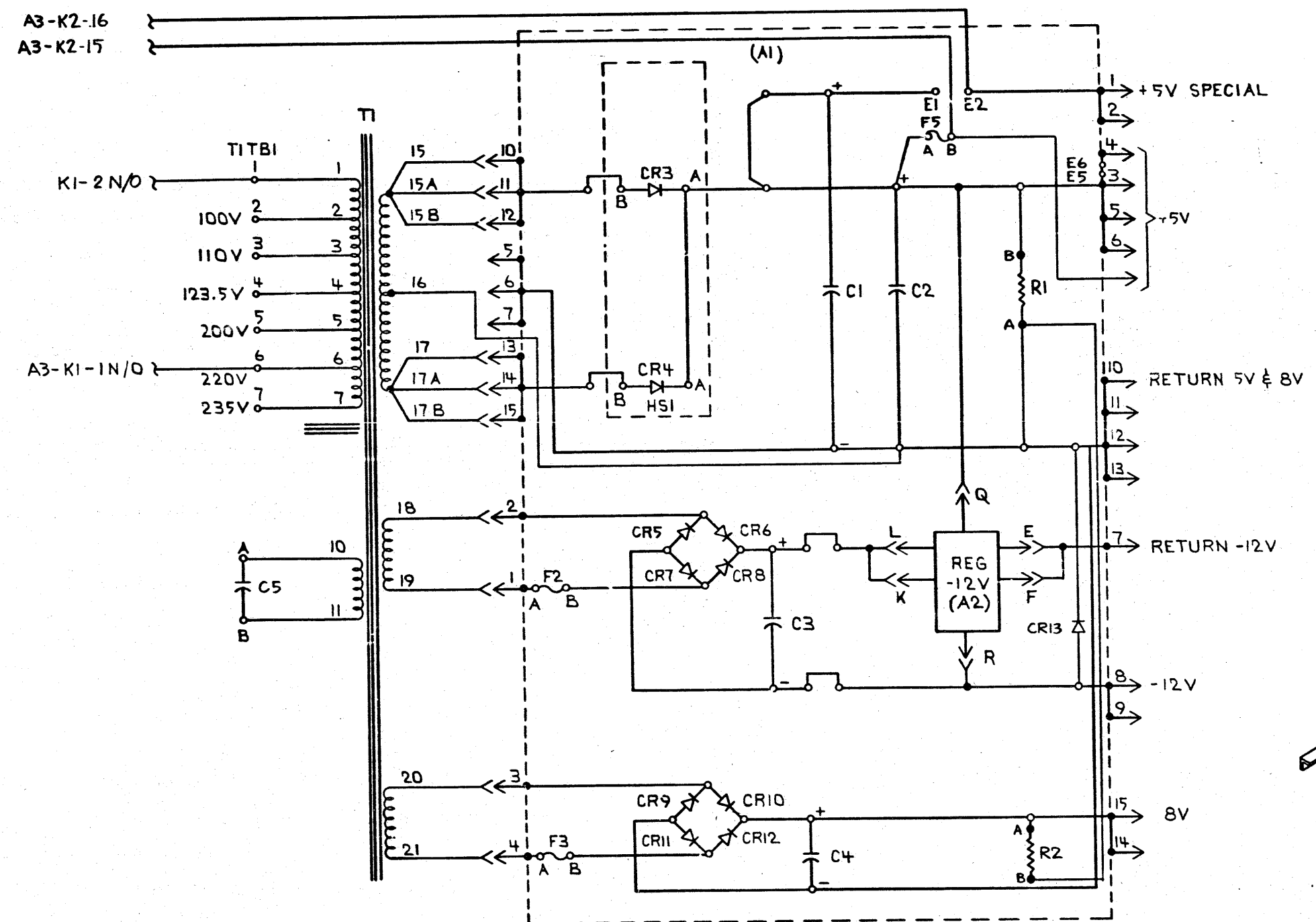
EC HISTORY		DRAWING TITLE	
SEE EC HISTORY		WIRING DIAGRAM-MPX LOCAL, 50HZ	
3 MAR 72	716736	MACH	
6 JUN 72	717678	PART NO 2481168	
7 JAN 75	741280	CLASSIFICATION	
3 FEB 75	741298	IBM CORP	

THIS DOCUMENT IS THE PROPERTY OF IBM. ITS USE IS AUTHORIZED ONLY FOR RESPONDING TO A REQUEST FOR QUOTATION OR FOR THE PERFORMANCE OF WORK FOR IBM. ALL QUESTIONS MUST BE REFERRED TO THE IBM PURCHASING DEPARTMENT.

Y
F
7
3
2

REFERENCE DRAWING

FIELD USE



NOTES
 1. FOR REMAINDER OF WIRING DIAGRAM SEE 2481168(YF 732)

Y
F
7
3
3

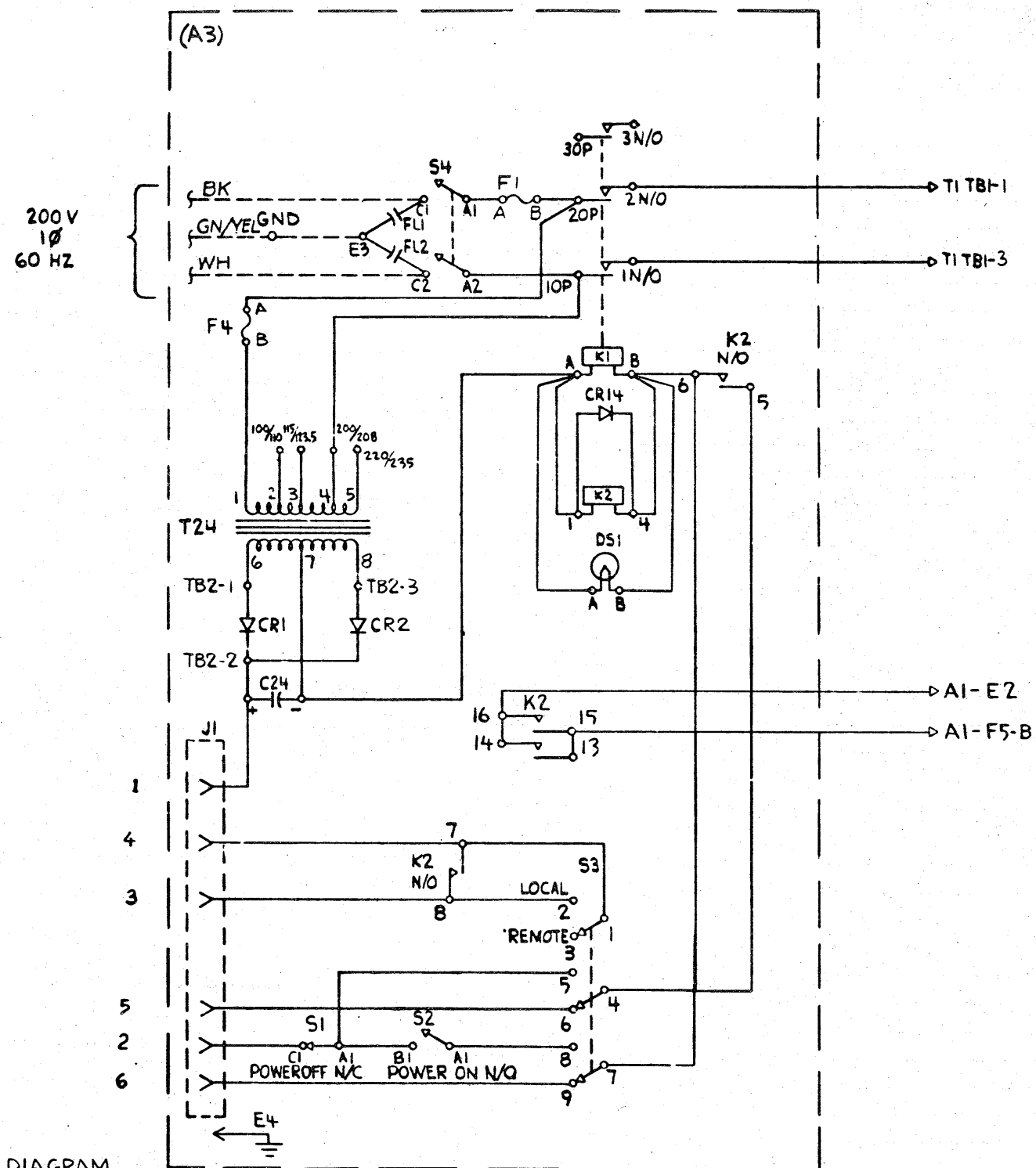
THIS DOCUMENT IS THE PROPERTY OF IBM. ITS USE IS AUTHORIZED ONLY FOR RESPONDING TO A REQUEST FOR QUOTATION OR FOR THE PERFORMANCE OF WORK FOR IBM. ALL QUESTIONS MUST BE REFERRED TO THE IBM PURCHASING DEPARTMENT.

RELEASED FOR ASM 2481152 REF.

EC HISTORY		DRAWING TITLE	
SEE EC HISTORY		WIRING DIAGRAM-MPX LOCAL, 50 HZ	
7 JAN 75	741280	MACH	
3 FEB 75	741298	PART NO 2481169	
D		CLASSIFICATION	IBM CORP

Y
F
7
3
3

REFERENCE DRAWING



NOTES

1. FOR REMAINDER OF WIRING DIAGRAM SEE 2481179(YF735)
- 2 FUSE 303549 IS REQUIRED WHEN THE UNIT IS WIRED FOR 200V.
- 3 FUSE 332009 IS REQUIRED WHEN THE UNIT IS WIRED FOR 100 V.

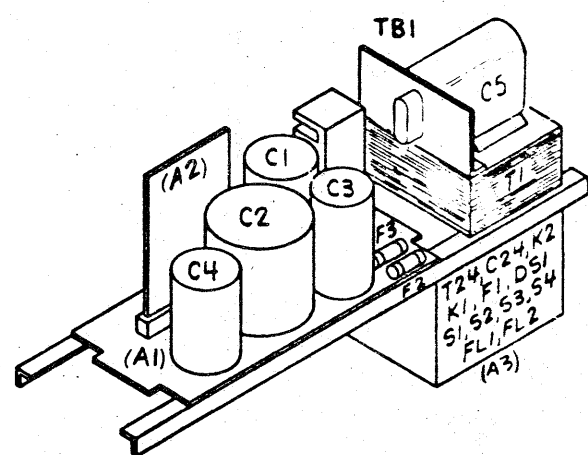
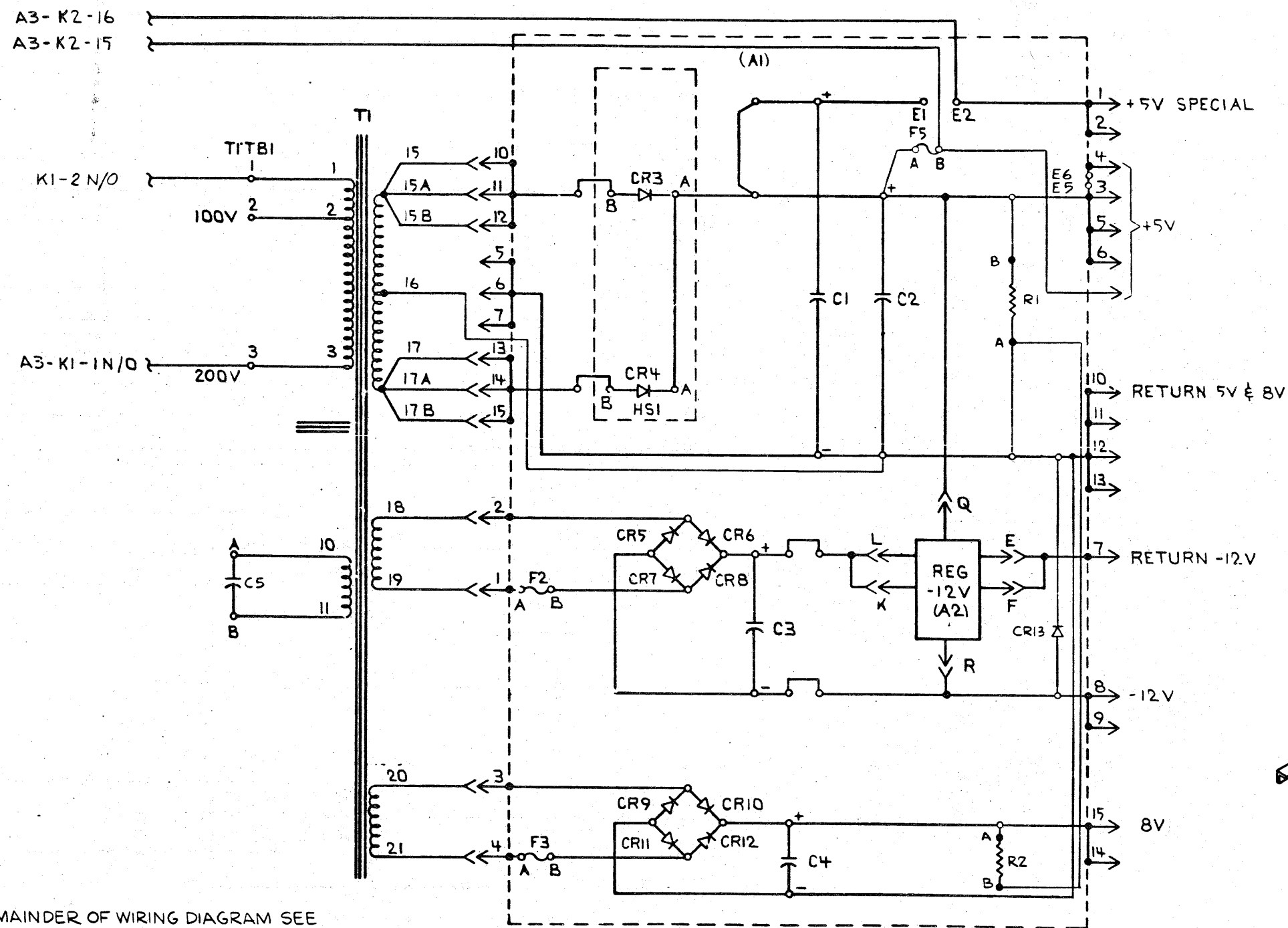
CODE	DESCRIPTION	PART NO
A1	PRINTED CIRCUIT BOARD ASM	2582962
A2	REGULATOR CARD-12V	2481207
A3	PRIME PWR BOX	2582992
CI&C2	CAPACITOR 240K UF 75V	5252526
C3	CAPACITOR 3.1K UF 25V	483107
C4	CAPACITOR 49K UF 10V	5709382
C24	CAPACITOR 1.3K UF 50V	5213798
FL1 & FL2	CAPACITOR, FILTER .01 UF	737809
C5	CAPACITOR, AC 4UF 660V	5252814
CR1, CR2, CR13, CR14 CR5-CR8	DIODE 1AMP 180V	5214324
CR3 & CR4	DIODE 10AMP 150V	598479
CR9-CR12	DIODE 3AMP 100V	1149212
DS1	LAMP 24V	5376712
F1	FUSE 1AMP SB 250V FUSE 2AMP SB 125V	NOTE [2] NOTE [3]
F2	FUSE 1AMP SB 250V	303549
F3	FUSE 5AMP SB 125V	512137
F4	FUSE 0.1AMP SB 250V	304883
K1	CONTACTOR	2145046
K2	RELAY 24V	824339
F5	FUSE 15 AMB MB 250V	5236559
J1	CONNECTOR	523269
S1	SWITCH CONTROL	5252633
S2	SWITCH CONTROL	725349
S3	SWITCH ROTARY	5263712
S4	SWITCH LINE	5214955
T1	FERRO	4119304
T24	TRANSFORMER 24V	2582953
R1	RESISTOR 3Ω 25W 5%	337213
R2	RESISTOR 15Ω 25W 10%	472588

RELEASED FOR ASM 2481228 REF

EC HISTORY		DRAWING TITLE	
18JAN72	716732	WIRING DIAGRAM-MPX	
3MAR72	716736	LOCAL, JAPAN 60HZ	
6JUN72	717678	PART NO 2481178	
24JAN73	738045	CLASSIFICATION	IBM CORP
3FEB75	741298		

THIS DOCUMENT IS THE PROPERTY OF IBM. ITS USE IS AUTHORIZED ONLY FOR RESPONDING TO A REQUEST FOR QUOTATION OR FOR THE PERFORMANCE OF WORK FOR IBM. ALL QUESTIONS MUST BE REFERRED TO THE IBM PURCHASING DEPARTMENT.

REFERENCE DRAWING



NOTES
1. FOR REMAINDER OF WIRING DIAGRAM SEE 2481178 (YF734)

THIS DOCUMENT IS THE PROPERTY OF IBM. ITS USE IS AUTHORIZED ONLY FOR RESPONDING TO A REQUEST FOR QUOTATION OR FOR THE PERFORMANCE OF WORK FOR IBM. ALL QUESTIONS MUST BE REFERRED TO THE IBM PURCHASING DEPARTMENT.

RELEASED FOR ASM 2481228 REF

EC HISTORY		DRAWING TITLE	
20JUL73	738897	LOCAL, JAPAN	60 HZ
3FEB 75	741298	PART NO	2481179
D		CLASSIFICATION	IBM CORP

Y
F
7
3
5