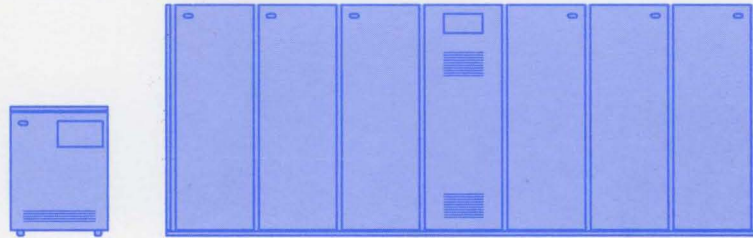


External Cable References



3745
3745
3745
3745



IBM 3745 Communication Controller
Models 130, 150, 170, 210, 310, 410, and 610

SY33-2075-3

IBM 3746 Expansion Unit
Models A11, A12, L13, L14, and L15

External Cable References

Note!

Before using this information and the product it supports, be sure to read the general information under "Notices" on page v.

Fourth Edition (August 1991)

The information contained in this manual is subject to change from time to time. Any such changes will be reported in subsequent revisions. Changes have been made throughout this edition, and this manual should be read in its entirety.

Order publications through your IBM representative or the IBM branch office serving your locality. Publications are not stocked at the addresses given below.

A form for readers' comments appears at the back of this publication. If the form has been removed, address your comments to:

International Business Machines Corporation
Department 6R1LG
180 Kost Road
Mechanicsburg PA 17055-0180
U.S.A.

or

IBM France
Centre d'Etudes et Recherches
Service 0762 BP 79
06610 La Gaude
France

When you send information to IBM, you grant IBM a non-exclusive right to use or distribute the information in any way it believes appropriate without incurring any obligation to you.

© Copyright International Business Machines Corporation 1989, 1991. All rights reserved.

Note to U.S. Government Users — Documentation related to restricted rights — Use, duplication or disclosure is subject to restrictions set forth in GSA ADP Schedule Contract with IBM Corp.

Contents

Chapter 1. Console and RSF Interface Cables	1-1
Cable from the 3745 to a Local Console	1-1
Cable from the 3745 to an Alternate Console	1-2
Cable Adapters for a Local/Alternate Console	1-3
Console Connection through the IBM 7427 Console Switching Unit	1-5
Cables from the 3745 to the 7427 Switching Unit (A)	1-5
Cable from the 7427 to a 31XX or PS/2 or PC Console (B)	1-6
Cable from the 7427 to a 3727 Console (B)	1-7
Remote Console Cable	1-8
Cable to Modem for RSF	1-9
Console Wrap Tools	1-10
Chapter 2. TSS Interface Cables	2-1
LIC1 through LIC4 Interfaces and Cables	2-1
LIC Type 1 DCE Interface (Except Japan)	2-2
LIC Type 1 DCE Interface (Japan NTT Only)	2-4
LIC Type 1 Auto-Call Unit Interface	2-7
LIC Type 1 Direct Attachment Interface	2-10
LIC Type 3 DCE Interface	2-12
LIC Type 3 Direct Attachment Interface	2-14
LIC Type 4A DCE Interface	2-16
LIC Type 4A Direct Attachment Interface	2-18
LIC Type 4B DCE Interface (Except France)	2-20
LIC Type 4B DCE Interface (France Transfix Only)	2-22
LIC Type 4B Direct Attachment Interface	2-24
LIC5 and LIC6 Interfaces and Cables	2-26
LIC Type 5 Line Interface	2-26
LIC Type 6 Line Interface	2-27
TSS Wrap Tools	2-28
PKD Interface	2-29
PT2/3 Interface	2-30
Driver/Receiver Typical Voltage Operating Ranges	2-31
Chapter 3. HPTSS Interface Cables	3-1
DTE/DCE Cable Connectors	3-1
V.35 Interface to DCE	3-2
V.35 Direct Attach Cable	3-3
X.21 Interface to DCE (Including Transfix France at 1.920 Mbps)	3-4
X.21 Interface to DCE (Transfix France, Except 1.920 Mbps)	3-5
X.21 Direct Attach Cable	3-6
EIA-547 Interface to DCE	3-7
EIA-547 Direct Attach Cable	3-8
Voltage Interface Measurements	3-9
HPTSS Wrap Plugs	3-10
Chapter 4. TRSS Interface Cable	4-1
TIC Card to Tailgate Cable	4-1
Interchange Circuits	4-1
Cable to Ring Wall Connector	4-2
Voltage Levels (Ring Transmitter/Receiver)	4-2

Chapter 5. AUI Ethernet** Interface Cables.	5-1
ESS Wrap Plug PN 70X8670	5-1
List of Abbreviations	X-1
3745 Models 210, 310, 410, and 610 Customer Documentation	X-2
3745 Models 210, 310, 410, and 610 Service Documentation.	X-3
3745 Models 130, 150, and 170 Customer Documentation	X-4
3745 Models 130, 150, and 170 Service Documentation	X-5
Index	X-7

Notices

References in this publication to IBM products, programs or services do not imply that IBM intends to make these available in all countries in which IBM operates. Any reference to an IBM product, program, or service is not intended to state or imply that only IBM's product, program, or service may be used. Any functionally equivalent product, program, or service that does not infringe any of IBM's intellectual property rights may be used instead of the IBM product, program, or service. Evaluation and verification of operation in conjunction with other products, except those expressly designated by IBM, is the user's responsibility.

IBM may have patents or pending patent applications covering subject matter in this document. The furnishing of this document does not give you any license to these patents. You can send license inquiries, in writing, to the IBM Director of Commercial Relations, IBM Corporation, Purchase, NY 10577, U.S.A.

Electronic Emission Notices

Federal Communications Commission (FCC) Statement

Note: This equipment has been tested and found to comply with the limits for a Class A digital device, pursuant to Part 15 of the FCC Rules. These limits are designed to provide reasonable protection against harmful interference when the equipment is operated in a commercial environment. This equipment generates, uses and can radiate radio frequency energy and, if not installed and used in accordance with the instruction manual, may cause harmful interference to radio communications. Operation of this equipment in a residential area is likely to cause harmful interference, in which case the user will be required to correct the interference at his own expense.

Properly shielded and grounded cables and connectors must be used in order to meet FCC emission limits. IBM is not responsible for any radio or television interference caused by using other than recommended cables and connectors or by unauthorized changes or modifications to this equipment. Unauthorized changes or modifications could void the user's authority to operate the equipment.

This device complies with Part 15 of the FCC Rules. Operation is subject to the following two conditions: (1) this device may not cause harmful interference, and (2) this device must accept any interference received, including interference that may cause undesired operation.

For Canada, Canadian Department of Communication Statement, GX27-3883, applies.

Trademarks and Service Marks

The following terms, denoted by an asterisk (*), used in this publication, are trademarks or service marks of IBM Corporation in the United States or other countries:

Personal System/2 PS/2

The following terms, denoted by a double asterisk (**), used in this publication, are trademarks of other companies:

Ethernet Xerox Inc.

About this Book

Who Should Use This Book

This manual provides references to wrap plugs, console cables, and telecommunication interface cables used to connect any model of IBM 3745 to external consoles and telecommunication lines.

This manual is dedicated to managers and planners who intend to install the IBM 3745 communication controller. This manual is also useful to all those who will prepare the site for the setup of the controller, or during setup.

How This Book Is Organized

- | | |
|------------------|--|
| Chapter 1 | Presents the cables used to connect the 3745 to the consoles (local, alternate, remote) and to the RSF modem. |
| Chapter 2 | Presents the different TSS interfaces and the cables used to connect the LICs to the network. The LIC wrap tools, the PKD and PT2/3 interfaces are also described in that chapter. |
| Chapter 3 | Presents the HPTSS interfaces and cables used to connect the high-speed transmission subsystem to the network. HPTSS wrap tools are also described in that chapter. |
| Chapter 4 | Presents the token-ring subsystem interface and cables used to connect the TRSS to the token-ring network. |

Where to Find More Information

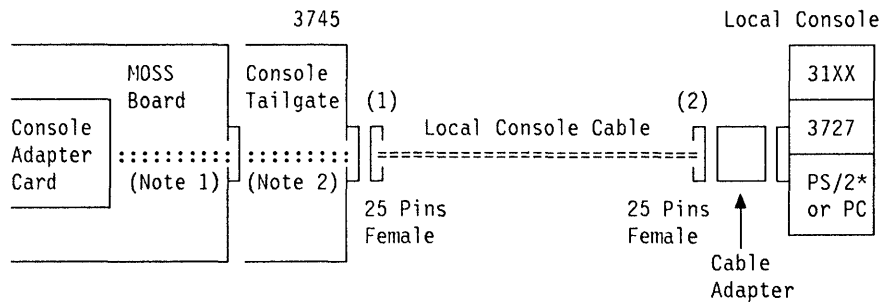
For a complete list of the 3745 customer and service information manuals, see the bibliography in the *3745 Models 210, 310, 410, and 610 Maintenance Information Procedures (MIP)*, SY33-2054, or the bibliography in the *3745 Models 130, 150, and 170 Maintenance Information Procedures (MIP)*, SY33-2070.

A Service and Customer Bibliographies for the 3745 Models 210, 310, 410, and 610, and for the 3745 Models 130, 150, and 170 are provided at the end of this manual.



Chapter 1. Console and RSF Interface Cables

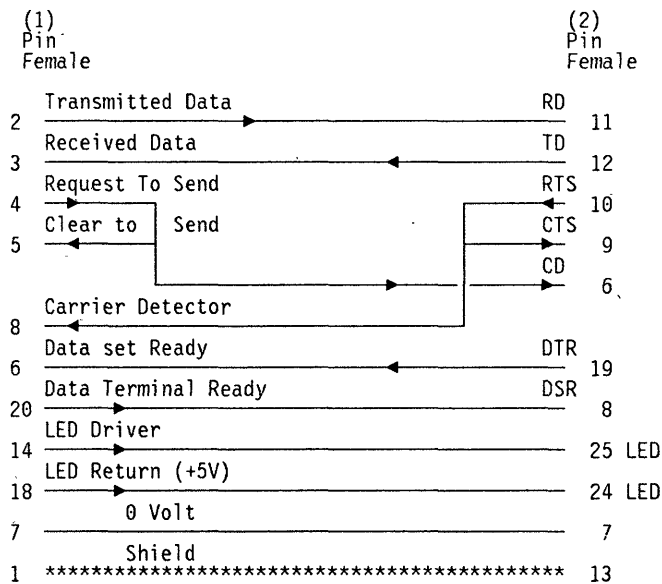
Cable from the 3745 to a Local Console



Note 1: Connection is 01A-Y0C5 in 3745 Models 130, 150 and 170
 Connection is 01A-W0C2 in 3745 Models 210, 310, 410, and 610

Note 2: Connection is 01R-A0J3 in 3745 Models 130, 150 and 170
 Connection is 01U-B0J4 in 3745 Models 210, 310, 410, and 610

Local Console Cable Wiring

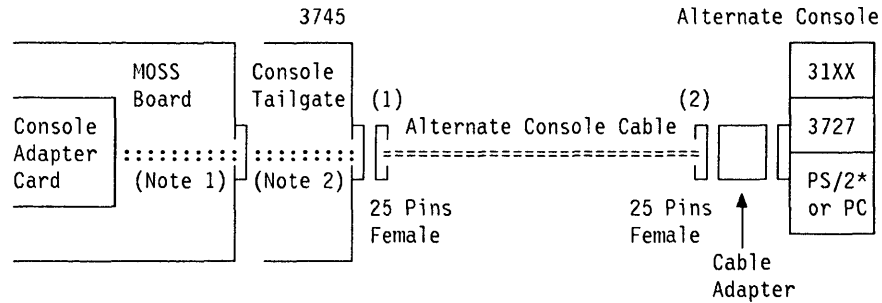


Local Console Cable Assembly

This assembly consists of a local console cable and adapters for a 31XX, 3727, PS/2* or PC (see "Cable Adapters for a Local/Alternate Console" on page 1-3).

3745 Model	Cable Type	Length, m (ft)	Cable Group	Assembly PN	Cable PN
130/150/170	Fixed Length	7 m (23)	Shipped	26F1794	03F4948
210/310/410/610	Fixed Length	7 m (23)	Shipped	26F1792	03F4487

Cable from the 3745 to an Alternate Console



Note 1: Connection is 01A-Y0B5 in 3745 Models 130, 150 and 170
 Connection is 01A-W0B1 in 3745 Models 210, 310, 410, and 610

Note 2: Connection is 01R-A0J2 in 3745 Models 130, 150 and 170
 Connection is 01U-B0J1 in 3745 Models 210, 310, 410, and 610

Alternate Console Cable Wiring

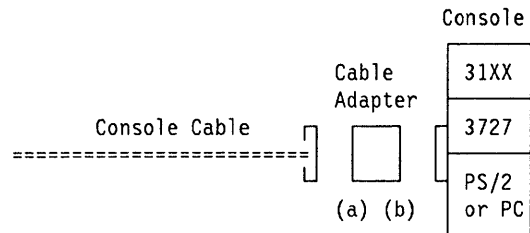
Same as "Local Console Cable Wiring" on page 1-1.

Alternate Console Cable Assembly

This assembly consists of a cable of variable length and adapters for a 31XX, 3727, PS/2 or PC (see "Cable Adapters for a Local/Alternate Console" on page 1-3).

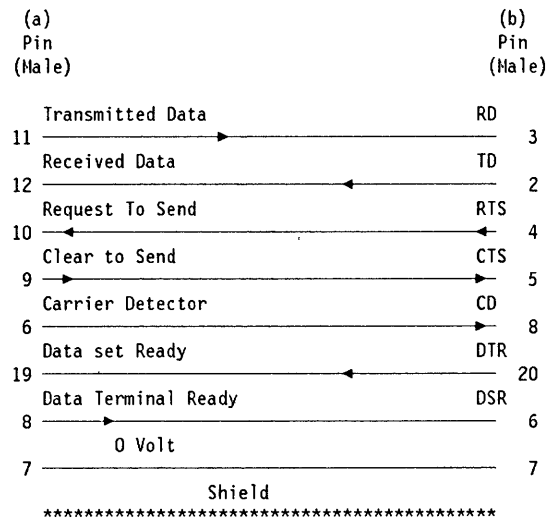
3745 Model	Cable Type	Length, m (ft)	Cable Group	Assembly PN	Cable PN
130/150/170	Variable Length	Up to 35 m (115) Up to 122 m (400)	6147 NA	26F1799 26F1799	03F5026 03F5026
210/310/410/610	Variable Length	Up to 35 m (115) Up to 122 m (400)	5826 NA	34F1262 34F1262	65X8984 65X8984

Cable Adapters for a Local/Alternate Console



Cable Adapter P/N 54F0489 for a 31XX Console

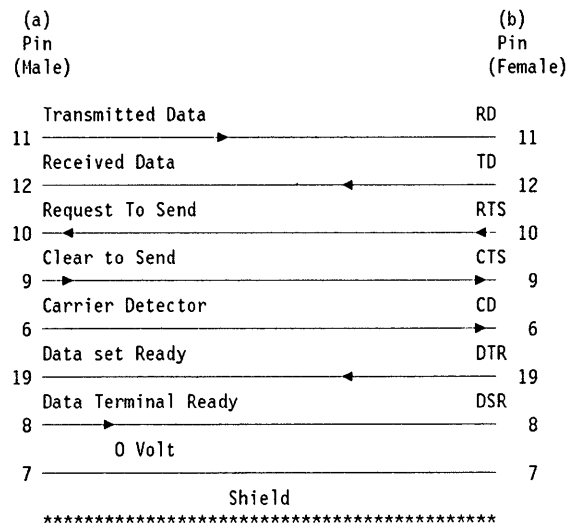
Wiring



Warning: Use care installing the 31XX adapter as it can be reversed and prevent console operation. Observe the label on the adapter and install as indicated.

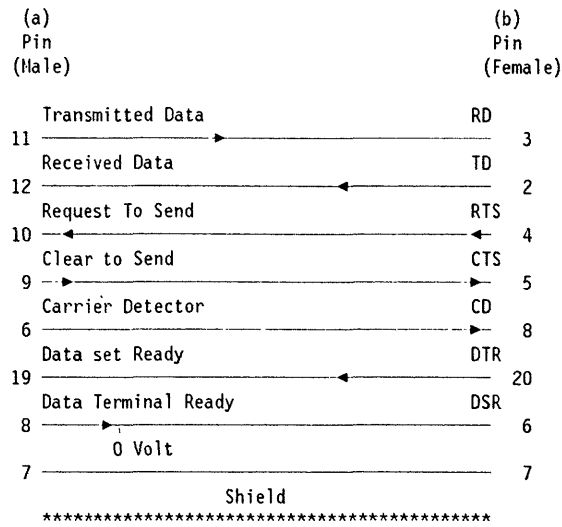
Cable Adapter P/N 54F0488 for a 3727 Console

Wiring



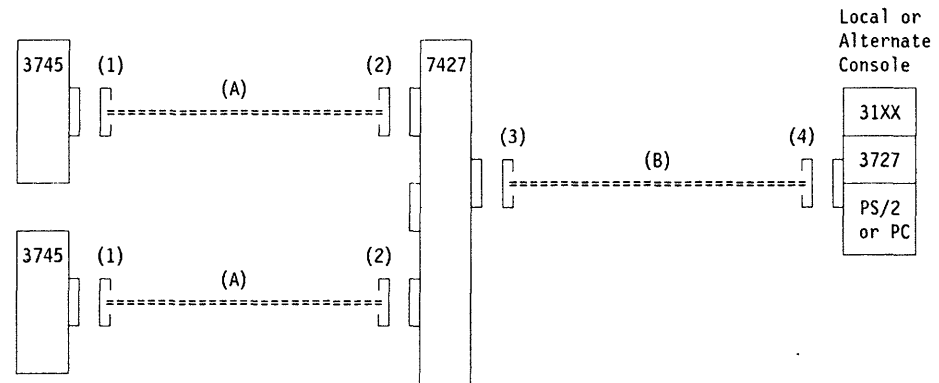
Cable Adapter P/N 54F0490 for a PS/2 or PC Console

Wiring



Console Connection through the IBM 7427 Console Switching Unit

Principle: The 7427 is used to switch one console (31XX, 3727, PS/2 or PC) to as many as four 3745s for the local console, or up to six 3745s for the alternate console.



Cables from the 3745 to the 7427 Switching Unit (A)

(These cables are used **with adapters** as local/alternate console cables.)

Cable Wiring

Same as "Local Console Cable Wiring" on page 1-1.

Cable Assembly for Local Console

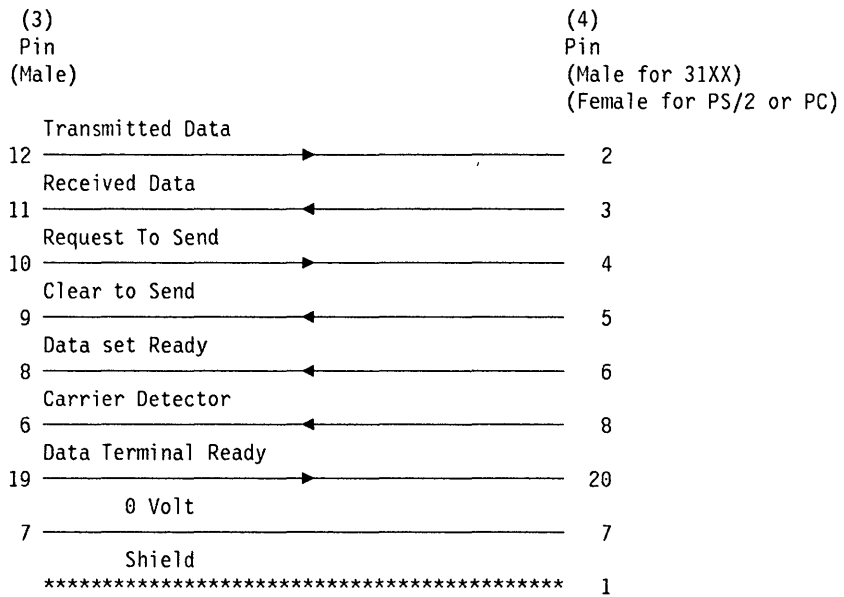
Same as "Local Console Cable Assembly" on page 1-1.
The cable is connected to the 7427 without an adapter.

Cable Assembly for Alternate Console

Same as "Alternate Console Cable Assembly" on page 1-2.
The cable is connected to the 7427 without an adapter.

Cable from the 7427 to a 31XX or PS/2 or PC Console (B)

Cable Wiring



Cable Assembly for a 31XX Console

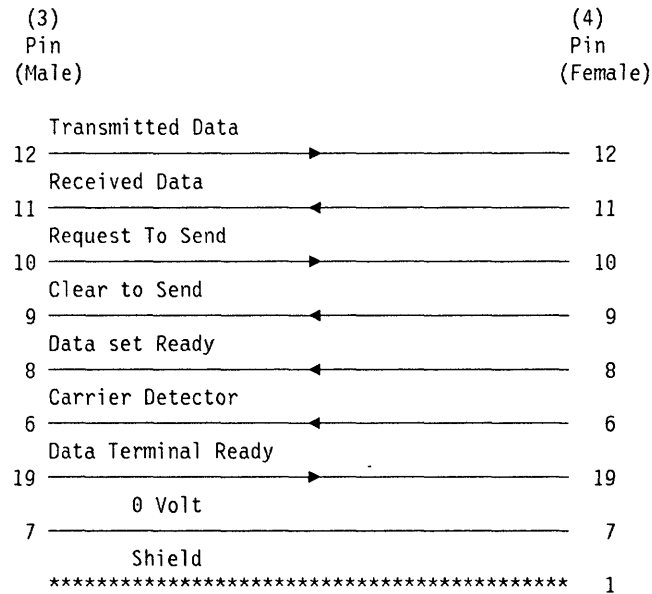
3745 Model	Cable Type	Length, m (ft)	Cable Group	Cable PN
All Models	Fixed Length	1 m (3)	5828	65X8985

Cable Assembly for a PS/2 or PC Console

3745 Model	Cable Type	Length, m (ft)	Cable Group	Cable PN
All Models	Fixed Length	2 m (6.5)	8148	26F0317

Cable from the 7427 to a 3727 Console (B)

Cable Wiring (B)

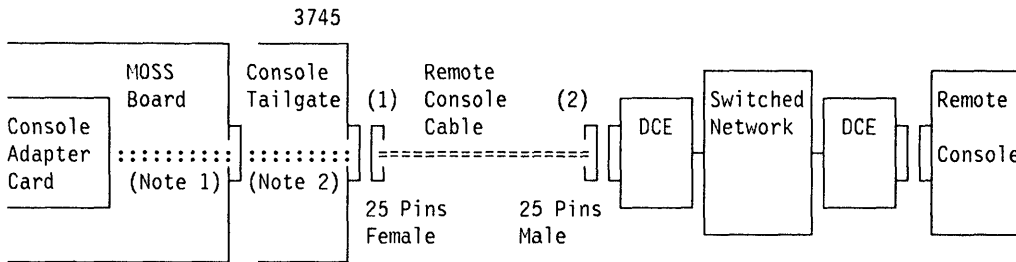


Cable Assembly

This cable for a 3727 console is delivered with the 7427 switching unit.

3745 Model	Cable Type	Length, m (ft)	Cable Group	Cable PN
All Models	Fixed Length	1 m (3)	NA	6081308

Remote Console Cable



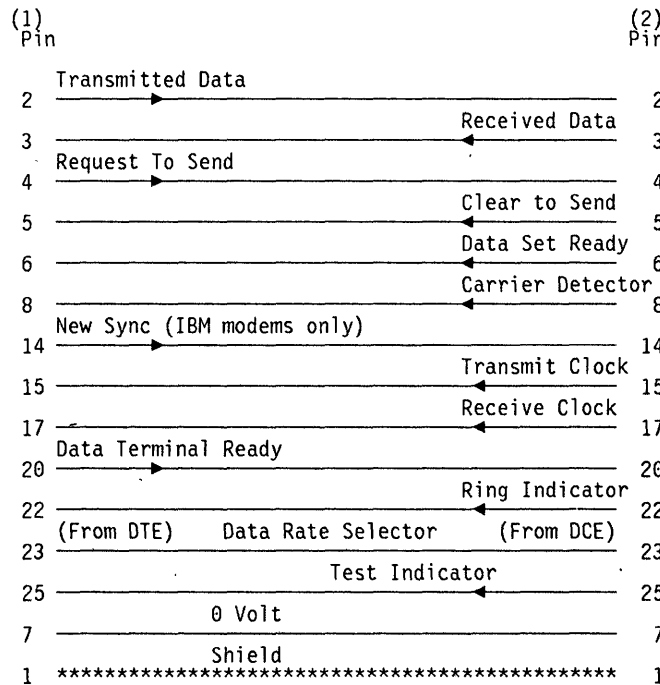
Note 1: Connection is 01A-Y0B5 in 3745 Models 130, 150 and 170
 Connection is 01A-W0B1 in 3745 Models 210, 310, 410, and 610

Note 2: Connection is 01R-A0J2 in 3745 Models 130, 150 and 170
 Connection is 01U-B0J1 in 3745 Models 210, 310, 410, and 610

Cable to Modem for Remote Console

3745 Model	Cable Type	Length, m (ft)	Cable Group	Cable PN
130/150/170	Variable Length	Up to 13.5 m (45) Up to 122 m (400)	6148 NA	03F5027 03F5028
210/310/410/610	Variable Length	Up to 13.5 m (45) Up to 122 m (400)	6153 NA	03F4404 03F4405

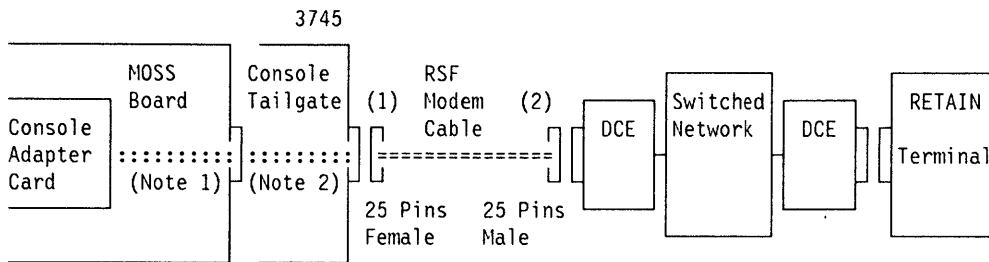
Cable Wiring



Note: The MOSS microcode monitors data set ready (DSR) and ring indicator (RI) to know whether the remote or the alternate console tries to log on.

- If DSR is up without RI, the alternate console is connected.
- If RI goes up first without DSR, the remote console is calling.

Cable to Modem for RSF



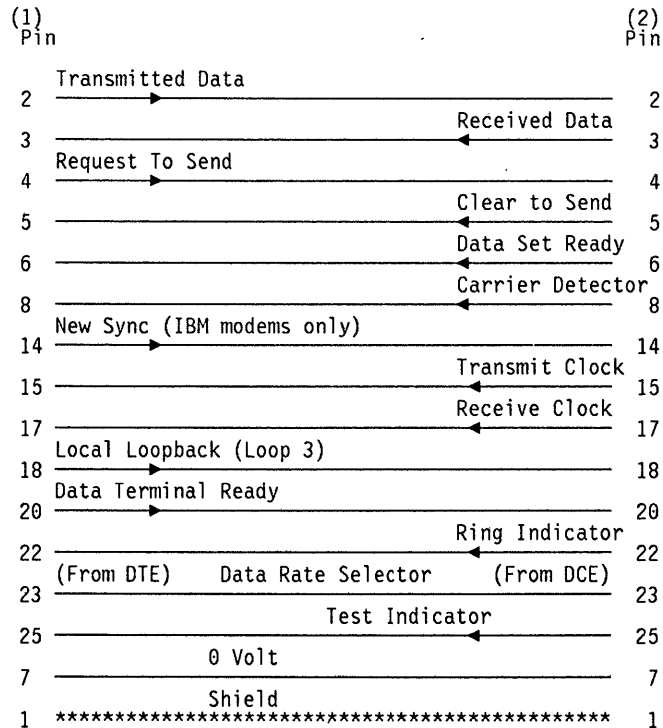
Note 1: Connection is 01A-Y0A5 in 3745 Models 130, 150 and 170
Connection is 01A-W0C1 in 3745 Models 210, 310, 410, and 610

Note 2: Connection is 01R-A0J1 in 3745 Models 130, 150 and 170
Connection is 01U-B0J2 in 3745 Models 210, 310, 410, and 610

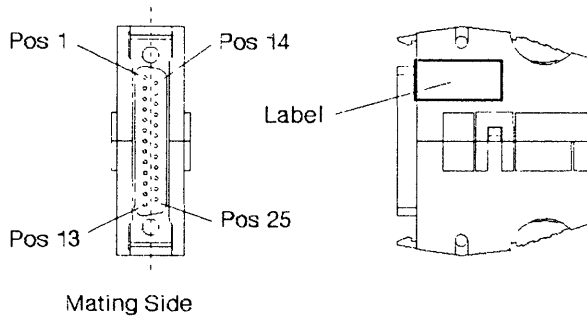
RSF Modem Cable

3745 Model	Cable Type	Length, m (ft)	Cable Group	Cable PN
130/150/170	Fixed Length	13.5 m (45)	Shipped	03F4945
210/310/410/610	Fixed Length	13.5 m (45)	Shipped	65X8920

RSF Modem Cable Wiring

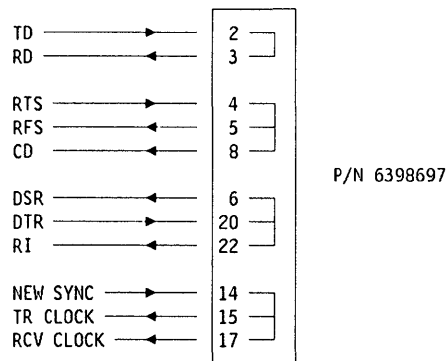


Console Wrap Tools



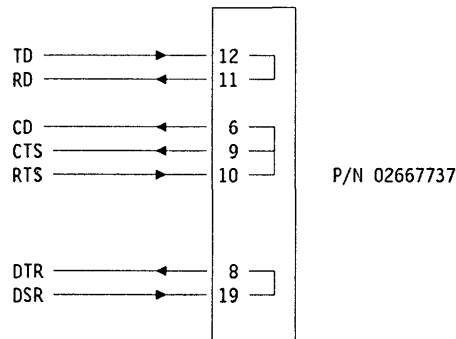
Wrap Tool (P/N 6398697) for Console Tailgate Connectors:

For a console link test, you can install this 25-position wrap socket (female) on any connector of the 3745 console tailgate (local, remote/alternate, RSF).



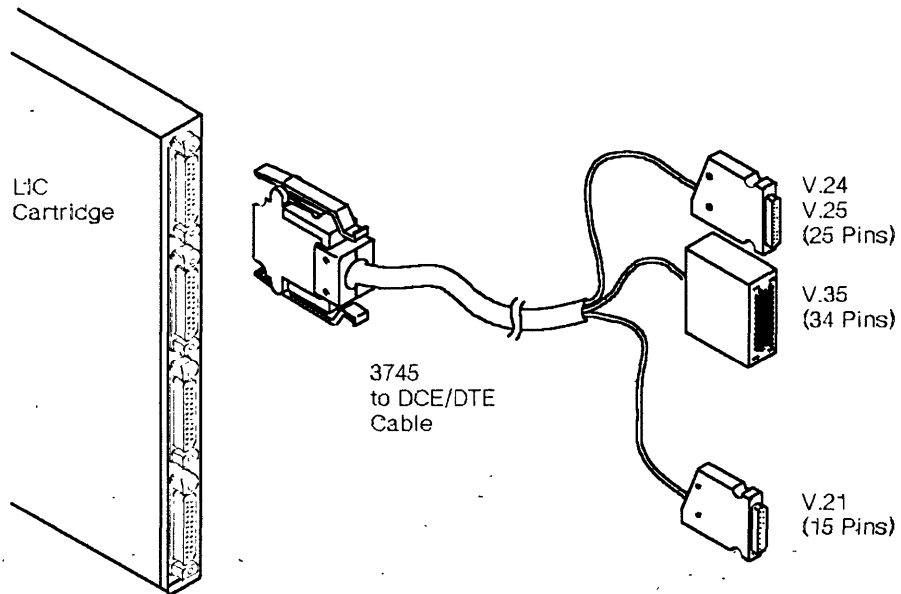
Wrap Tool P/N 02667737 for Local/Alternate/7427 Cable:

For a test of the cable when running a console link test, you can install this 25-pin wrap plug (male) in the connector at the console end of the 3745-to-local/alternate/7427 cable.



Chapter 2. TSS Interface Cables

LIC1 through LIC4 Interfaces and Cables



Ordering DCE/DTE Cables

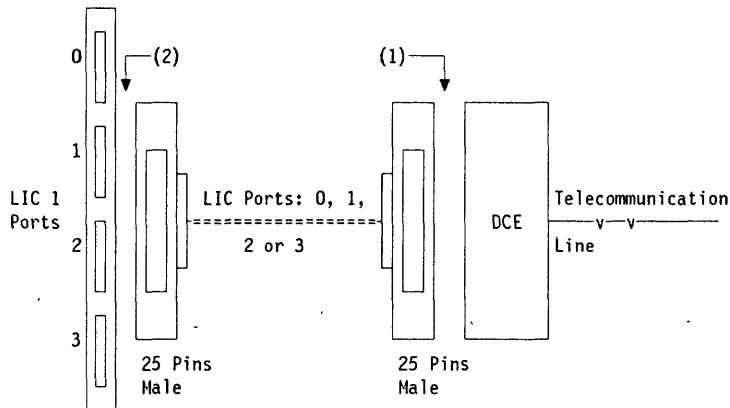
1. For cables less than 13.5 m long, order through cable group.
2. For European, Middle Eastern and African countries (fixed/standard length of 13.5 m) cables, order through BM number.
3. For the U.S.A. (fixed/standard length of 13.5 m) cables, order through cable group.
4. For cables longer than 13.5 m, order through part number.

LIC Type 1 DCE Interface (Except Japan)

Interface	CCITT V.24 (EIA 232C) CCITT X.21 Bis
Transmission speed	Externally clocked up to 19 200 bps
Number of lines	Up to four
Transfer mode	Half-duplex or duplex
Protocols	Start-stop, BSC, SDLC
DTE clocking	Up to 1200 bps for synchronous Up to 19 200 bps for start-stop

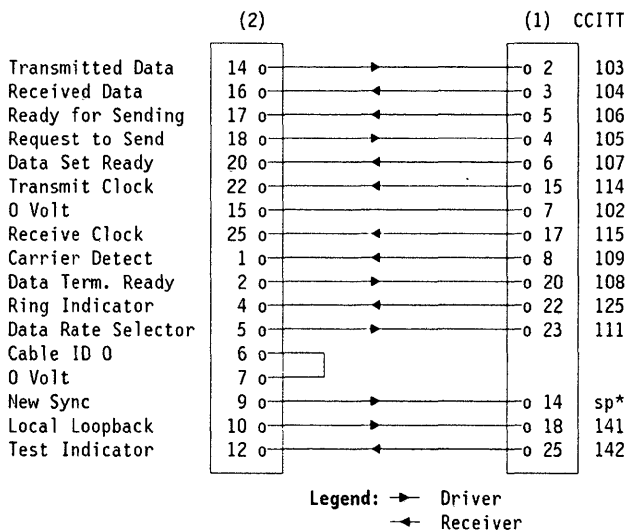
Notes:

1. JAPAN NTT: See "LIC Type 1 DCE Interface (Japan NTT Only)" on page 2-4.
2. Belgium: See "Adapter Cable" on page 2-3.
3. Cable identifier bit 1 set to 0 indicates modem function (100-series).
Cable identifier bit 1 set to 1 indicates autocal equipment installed (200-series).

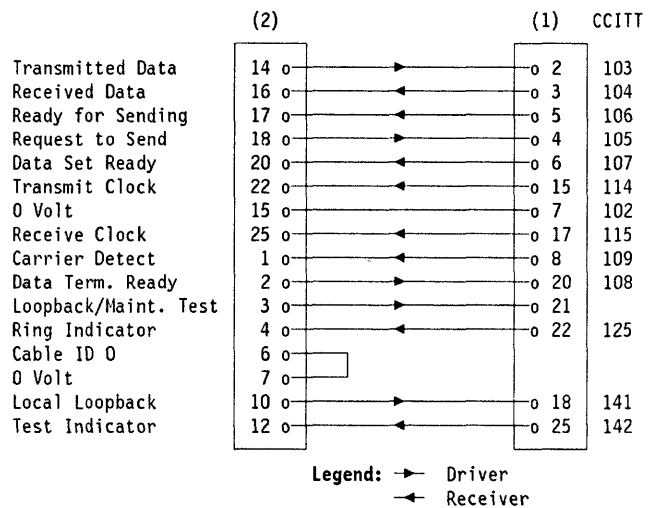


Interchange Circuits

To V.24 DCE (Except Japan NTT)



To X.21 Bis DCE (Except Japan NTT)



Interface Cables

To V.24 DCE (Except Japan and Belgium)

Cable Type and Length m (ft)	Feature Code	Cable Group	BM Number	Cable PN
Fixed length: 13.5 m (45)	4911 (LIC1)	1604	03F4907	6398643
13.5 m (45) or less		1628	6398643	6398643
More than 13.5 m (45) and up to 100 m (330)		N/A	6398785	6398785

To V.24 DCE Belgium Only (Adapter PN 1743585 Included)

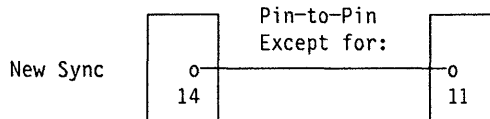
Cable Type and Length m (ft)	Feature Code	Cable Group	BM Number	Cable PN
Fixed length: 13.5 m (45)	4911 (LIC1)	1620	03F4908	65X9520
13.5 m (45) or less		1620	6398672	6398672
More than 13.5 m (45) and up to 100 m (330)		N/A	6398780	6398780

To X.21 Bis DCE (All Countries Except Japan)

Cable Type and Length m (ft)	Feature Code	Cable Group	BM Number	Cable PN
Fixed length: 13.5 m (45)	4911 (LIC1)	8154	61F4508	61F4504
13.5 m (45) or less		8152	61F4504	61F4504
More than 13.5 m (45) and up to 100 m (330)		N/A	61F4506	61F4506

Adapter Cable

To V.24 DCE in Belgium (PN 1489985)



Wrapping

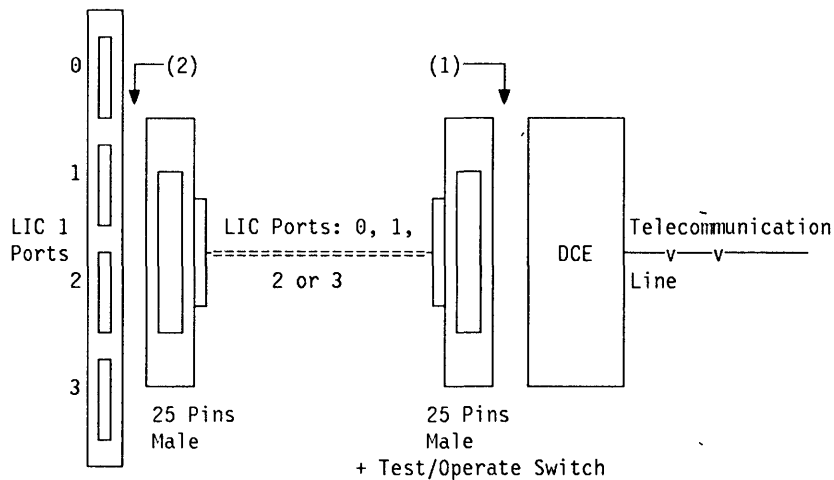
At Cartridge Connector: Install wrap plug PN 65X8927 in (2), ports 0, 1, 2, or 3. See "TSS Wrap Tools" on page 2-28 for pin-to-pin assignment.

Voltage Levels

See "6.5 Volts" on page 2-31.

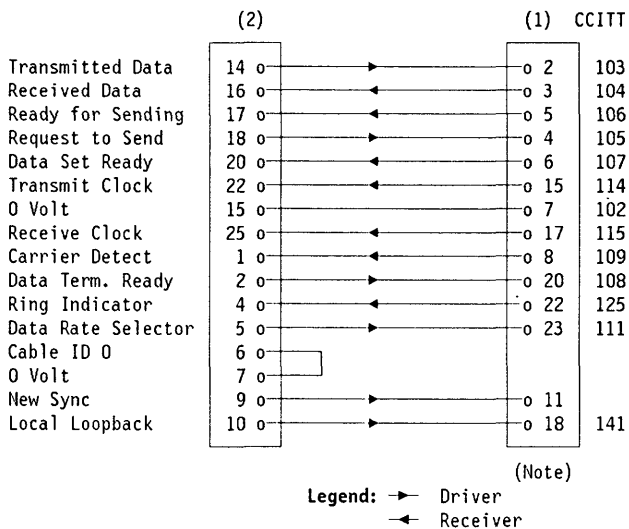
LIC Type 1 DCE Interface (Japan NTT Only)

Interface	CCITT V.24 (EIA 232C) CCITT X.21 Bis
Transmission speed	Externally clocked up to 19 200 bps
Number of lines	Up to four
Transfer mode	Half-duplex or duplex
Protocols	Start-stop, BSC, SDLC
DTE clocking	Up to 1200 bps for synchronous Up to 19 200 bps for start-stop

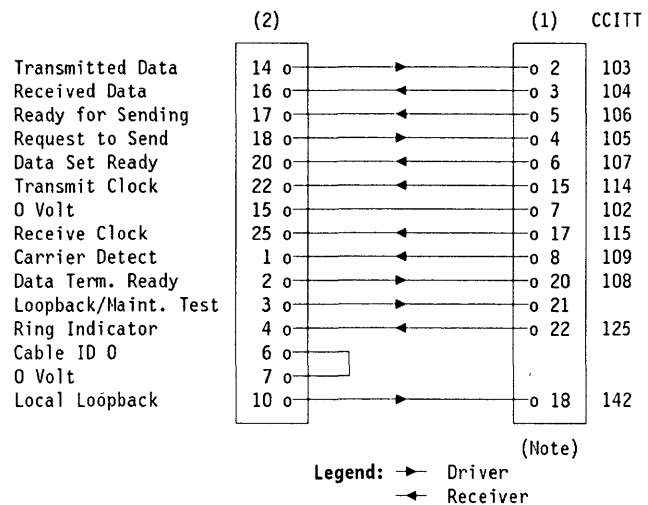


Interchange Circuits

To V.24 DCE (Japan Only)



To X.21 Bis DCE (Japan Only)



Note: This connector is equipped with a test/operate switch (see page 2-5).

Interface Cables

To V.24 DCE (Japan Only)

Cable Type and Length m (ft)	Feature Code	Cable Group	BM Number	Cable PH
13.5 m (45) or less	4911 (LIC1)	1621	6398662	6398662
More than 13.5 m (45) and up to 100 m (330)		N/A	6398782	6398782

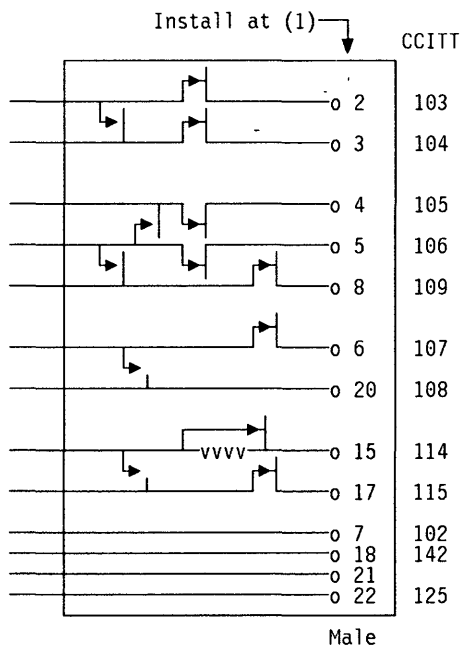
To X.21 Bis DCE (Japan Only)

Cable Type and Length m (ft)	Feature Code	Cable Group	BM Number	Cable PH
13.5 m (45) or less	4911 (LIC1)	8153	61F4505	61F4505
More than 13.5 m (45) and up to 100 m (330)		N/A	61F4507	61F4507

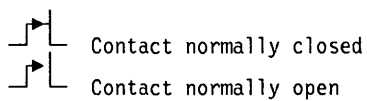
Test/Operate Switch

Wiring Diagram

The diagram below shows the test/operate switch in the 'operate' position.

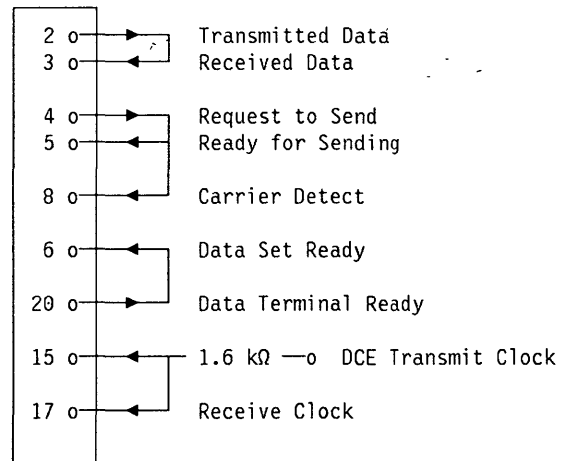


Legend: -vvvv- 1.6 kΩ Resistor



Test Logical Function

The diagram below shows the test function with the switch in the 'test' position.



Wrapping

At Cartridge Connector

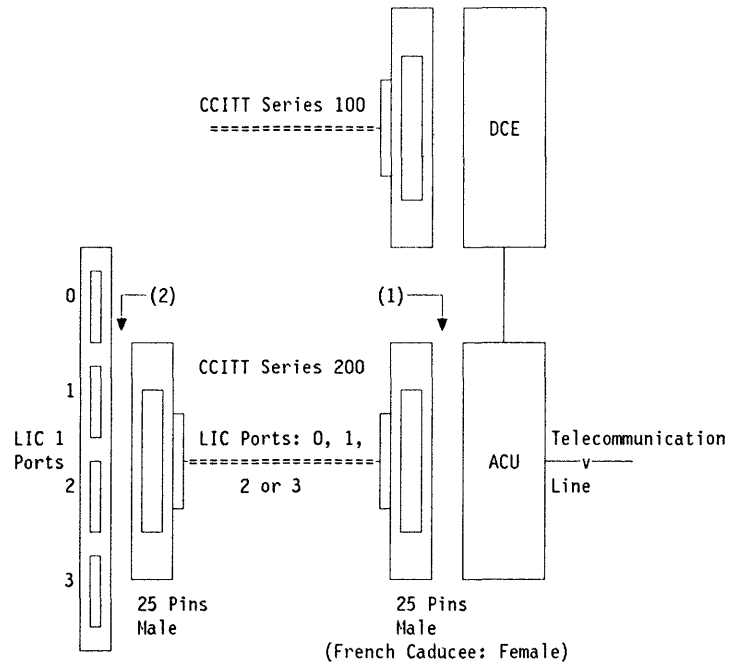
Install wrap plug PN 65X8927 in (2), ports 0, 1, 2, or 3.
See "TSS Wrap Tools" on page 2-28 for pin-to-pin assignment.

Voltage Levels

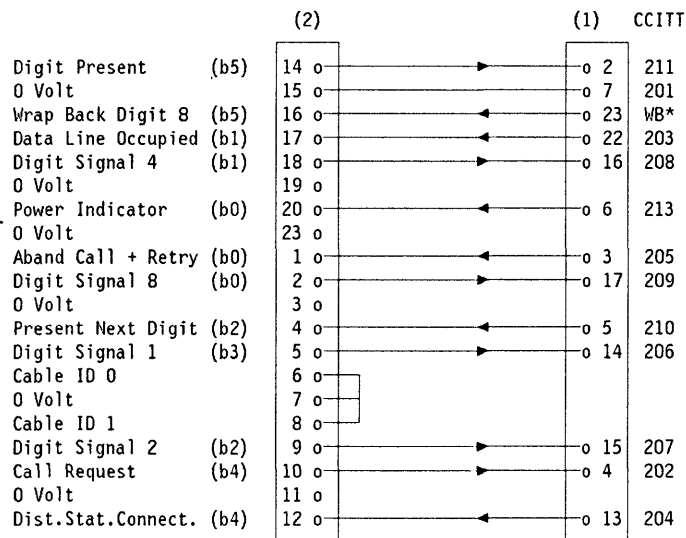
See "6.5 Volts" on page 2-31.

LIC Type 1 Auto-Call Unit Interface

Interface	CCITT V.25 (EIA RS 366)
Number of lines	Up to four



Interchange Circuits



Legend: → Driver
 ← Receiver
 * Japan only (for maintenance purposes)

Interface Cables

To V.25 DCE Autocall Unit (Except U.K., France, Japan)

Cable Type and Length m (ft)	Feature Code	Cable Group	BH Number	Cable PN
Fixed length: 13.5 m (45)	4911 (LIC1)	1616	N/A	6398668
13.5 m (45) or less		1610	N/A	6398668
More than 13.5 m (45) and up to 35 m (115.5)		N/A	6398788	6398788

To V.25 DCE Autocall Unit U.K. (Adapter PN 674570 Included)

Cable Type and Length m (ft)	Feature Code	Cable Group	BH Number	Cable PN
13.5 m (45) or less	4911 (LIC1)	1635	6398670	6398670
More than 13.5 m (45) and up to 35 m (115.5)		N/A	6398787	6398787

* Cable group 1618 includes the cable and the adapter

To V.25 DCE France (Caducee)

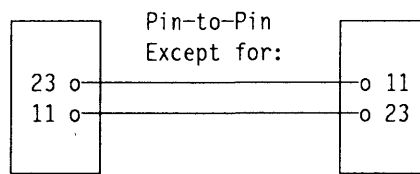
Cable Type and Length m (ft)	Feature Code	Cable Group	BH Number	Cable PN
13.5 m (45) or less	4911 (LIC1)	1622	6398667	6398667
More than 13.5 m (45) and up to 35 m (115.5)		N/A	6398783	6398783

To V.25 DCE Japan NTT

Cable Type and Length m (ft)	Feature Code	Cable Group	BH Number	Cable PN
13.5 m (45) or less	4911 (LIC1)	1634	6398664	6398664
More than 13.5 m (45) and up to 35 m (115.5)		N/A	6398786	6398786

Adapter Cable

U.K. (PN 674570)



Wrapping

At Cartridge Connector

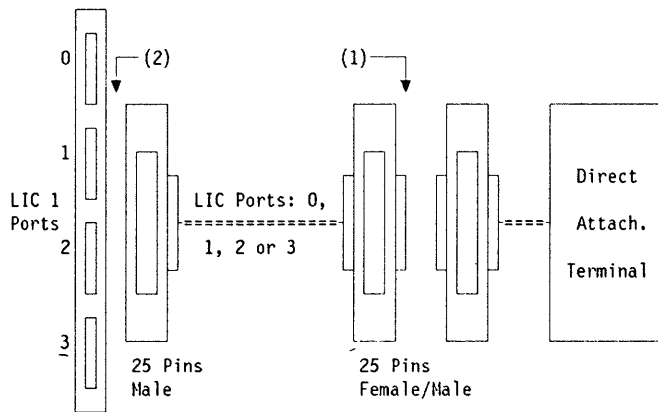
Install wrap plug PN 65X8927 in (2), ports 0, 1, 2, or 3.
See "TSS Wrap Tools" on page 2-28 for pin-to-pin assignment.

Voltage Levels

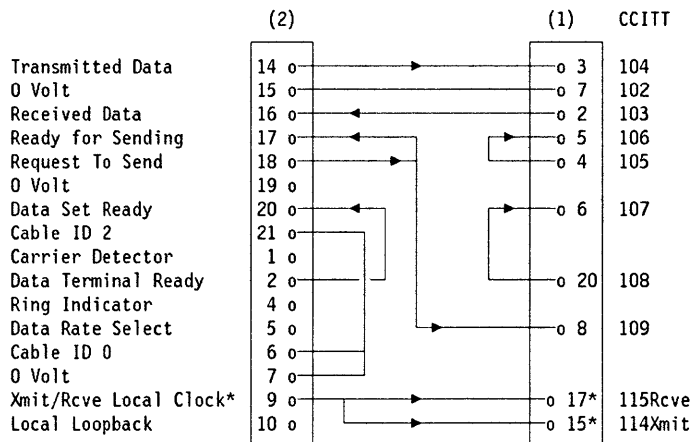
See "6.5 Volts" on page 2-31.

LIC Type 1 Direct Attachment Interface

Interface	CCITT V.24 (EIA 232C) CCITT X.21 Bis
Transmission speed	Up to 19 200 bps
Number of lines	Up to four
Transfer mode	Half-duplex or duplex
Protocols	Start-stop, BSC, SDLC
DTE clocking	Up to 19 200 bps



Interchange Circuits



Legend: → Driver
 ← Receiver
 * 3745 provides Xmit (transmit) and Rcve (receive) clocks to the terminal.

Interface Cables

To V.24 Direct Attachment Synchronous

This cable has a female connector at the terminal side.

Cable Type and Length m (ft)	Feature Code	Cable Group	BM Number	Cable PII
Fixed length: 13.5 m (45) (See the note below)	4911 (LIC1)	1611	7837395	7837395
13.5 m (45) or less		1627	7837395	7837395
More than 13.5 m (45) and up to 122 m (400)		N/A	7837396	7837396

Note: Fixed length is not available in European, Middle Eastern, and African countries.

To V.24 Direct Attachment Asynchronous (Teletype)

This cable has a male connector at the terminal side.

Cable Type and Length m (ft)	Feature Code	Cable Group	BM Number	Cable PII
Fixed length: 13.5 m (45) (See the note below)	4911 (LIC1)	1607	7837397	7837397
13.5 m (45) or less		1612	7837397	7837397
More than 13.5 m (45) and up to 122 m (400)		N/A	7837398	7837398

Note: Fixed length is not available in European, Middle Eastern, and African countries.

Wrapping

At Cartridge Connector

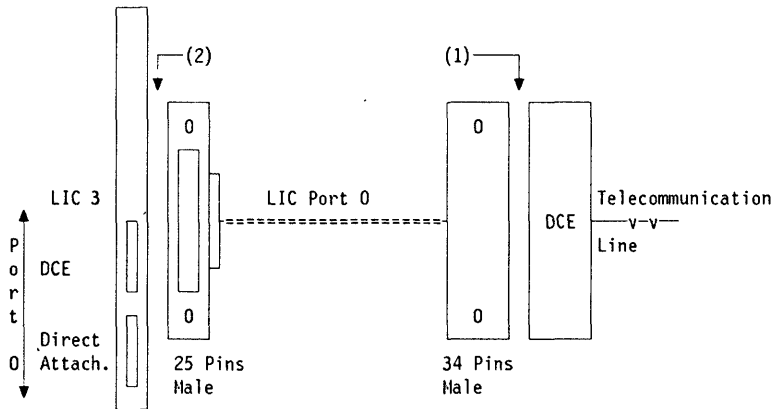
Install wrap plug PN 65X8927 in (2), ports 0, 1, 2, or 3.
See "TSS Wrap Tools" on page 2-28 for pin-to-pin assignment.

Voltage Levels

See "6.5 Volts" on page 2-31.

LIC Type 3 DCE Interface

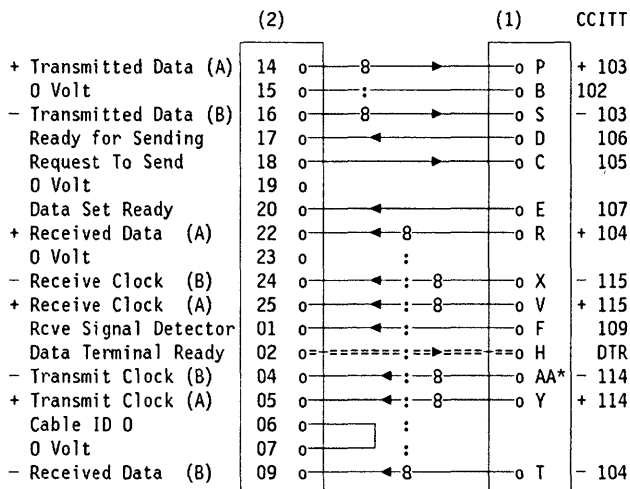
Interface	CCITT V.35
Transmission speed	Up to 256 000 bps
Number of lines	One
Transfer mode	Half-duplex or duplex
Protocols	BSC and SDLC
DTE clocking	Not allowed



Notes:

1. Upper socket is for DCE attachment.
2. Lower socket is for direct attachment to a terminal.

Interchange Circuits



Legend: -8- Twisted pairs ==- Shielded wire
 → Driver ← Receiver
 * AA is also called 'a'

Interface Cables

To V.35 DCE Except France

Cable Type and Length m (ft)	Feature Code	Cable Group	BH Number	Cable PN
Fixed length: 13.5 m (45)	4931 (LIC1)	1613	58X9485	58X9485
13.5 m (45) or less		1618	58X9485	58X9485
More than 15 m (49.5) and up to 100 m (328)		N/A	6398665	6398665

To V.35 DCE France Only (Adapter PN 1749352 Included)

Cable Type and Length m (ft)	Feature Code	Cable Group	BH Number	Cable PN
Fixed length: 13.5 m (45)	4931 (LIC1)	1619	58X9198	65X9522
13.5 m (45) or less		1619	6398671	6398671
More than 15 m (49.5) and up to 100 m (328)		N/A	6398789	6398789

Wrapping

At Cartridge Connector

Install wrap cable PN 65X8928 in (2), between port 0 and the DCE socket. See "TSS Wrap Tools" on page 2-28 for pin-to-pin assignment.

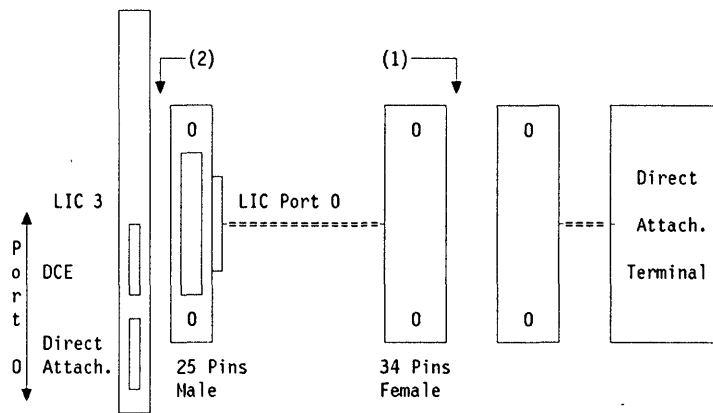
Note: For a full test, run the test with the wrap cable installed, then reverse the cable ends (between port 0 and DCE socket) and repeat the test.

Voltage Levels

See "0.55 Volt (V.35 Balanced Circuits)" on page 2-31.

LIC Type 3 Direct Attachment Interface

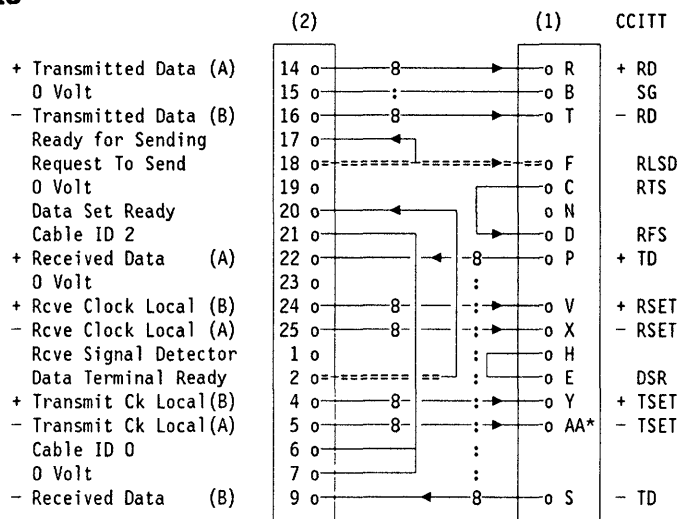
Interface	CCITT V.35
Transmission speed	Up to 245 760 bps (Up to 256 000 bps through RPQ)
Number of lines	One
Transfer mode	Half-duplex or duplex
Protocols	BSC and SDLC
DTE clocking	Up to 256 000 bps



Notes:

1. Upper socket is for DCE attachment.
2. Lower socket is for direct attachment to terminal.

Interchange Circuits



- Legend:**
- 8- Twisted pair
 - === Shielded wire
 - Driver
 - ← Receiver
 - * AA is also called 'a'

Interface Cables

To V.35 Direct Attachment (Except France)

Cable Type and Length m (ft)	Feature Code	Cable Group	BM Number	Cable PN
Fixed length: 13.5 m (45)	4931 (LIC1)	1605	58X9484	58X9484
13.5 m (45) or less		1623	58X9484	58X9484
More than 13.5 m (45) and up to 122 m (400)		N/A	6398657	6398657

To V.35 Direct Attachment (France Only)

Cable Type and Length m (ft)	Feature Code	Cable Group	BM Number	Cable PN
13.5 m (45) or less	4931 (LIC1)	1623F	65X9900	65X9900
More than 13.5 m (45) and up to 122 m (400)		N/A	65X9900	65X9900

Wrapping

At Cartridge Connector

Install wrap cable PN 65X8928 in (2), between port 0 and the DCE socket. See "TSS Wrap Tools" on page 2-28 for pin-to-pin assignment.

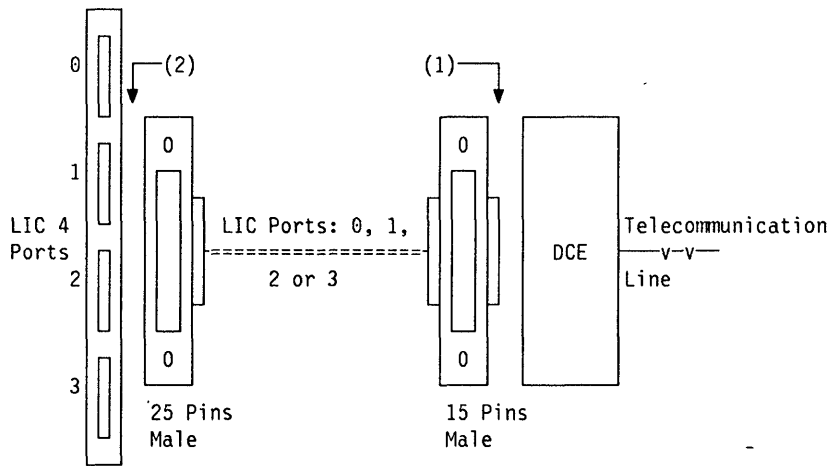
Note: For a full test, run the test with the wrap cable installed, then reverse the cable ends (between port 0 and DCE socket) and repeat the test.

Voltage Levels

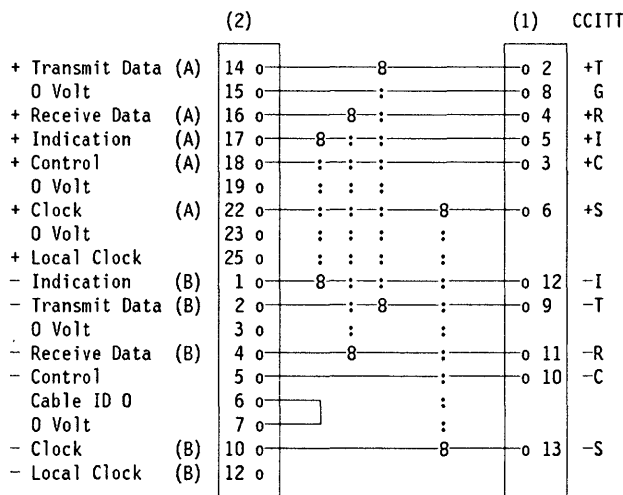
See "0.55 Volt (V.35 Balanced Circuits)" on page 2-31.

LIC Type 4A DCE Interface

Interface	CCITT X.21
Transmission speed	Up to 9600 bps
Number of lines	Four
Transfer mode	Half-duplex or duplex
Protocols	SDLC
DTE clocking	Not allowed



Interchange Circuits



Legend: -8- Twisted pair
 → Driver
 ← Receiver

Interface Cables

To X.21 DCE

Cable Type and Length m (ft)	Feature Code	Cable Group	BM Number	Cable PN
Fixed length: 13.5 m (45)	4941 (LIC1)	1606	03F4913 (ENEA)	58X9487
13.5 m (45) or less		1624	58X9487	58X9487
More than 13.5 m (45) and up to 122 m (400)		N/A	6398658	6398658

Wrapping

At Cartridge Connector

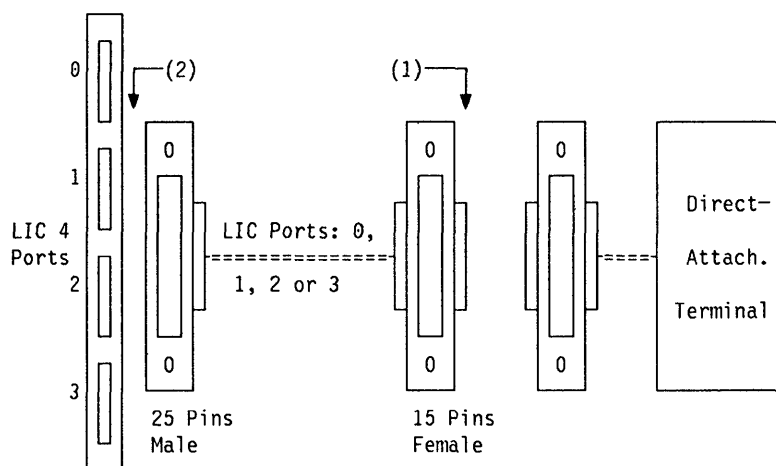
Install wrap plug PN 65X8927 in (2), ports 0, 1, 2, or 3.
See "TSS Wrap Tools" on page 2-28 for pin-to-pin assignment.

Voltage Levels

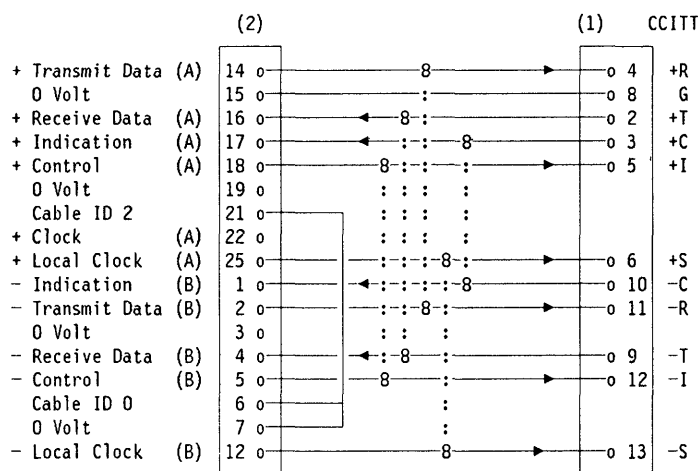
See "3 Volts" on page 2-31.

LIC Type 4A Direct Attachment Interface

Interface	CCITT X.21
Transmission speed	Up to 9600 bps
Number of lines	Four
Transfer mode	Half-duplex or duplex
Protocols	SDLC
DTE clocking	Up to 9600 bps



Interchange Circuits



Legend: -8- Twisted pair
 → Driver
 ← Receiver

Interface Cables

To X.21 Direct Attachment

Cable Type and Length m (ft)	Feature Code	Cable Group	BM Number	Cable PN
Fixed length: 13.5 m (45)	4941 (LIC4A) (No EHEA)	1608	58X9486	58X9486
30 m (99) or less		1625	58X9486	58X9486
More than 30 m (99) and up to 122 m (400)		N/A	6398660	6398660

Wrapping

At Cartridge Connector

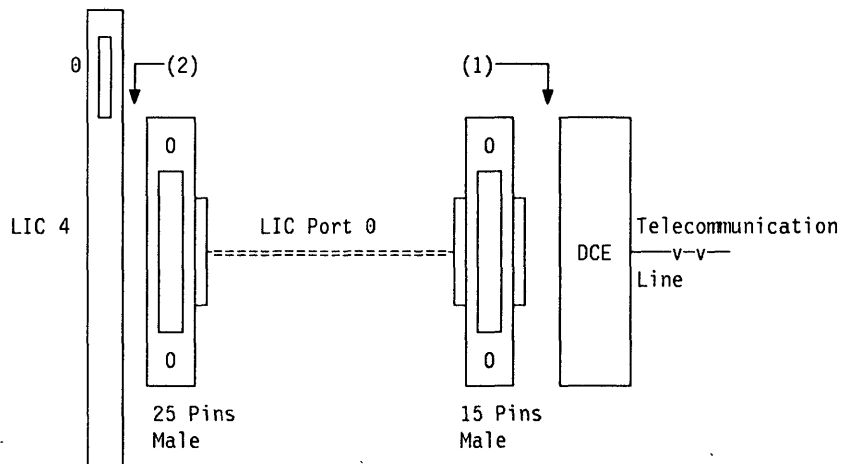
Install wrap plug PN 65X8927 in (2), port 0.
See "TSS Wrap Tools" on page 2-28 for pin-to-pin assignment.

Voltage Levels

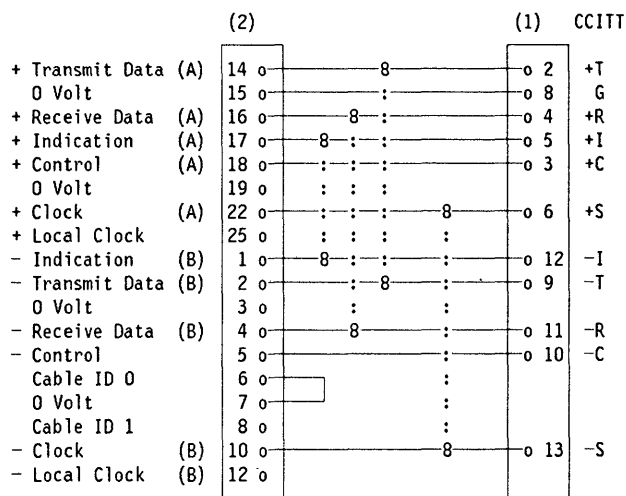
See "3 Volts" on page 2-31.

LIC Type 4B DCE Interface (Except France)

Interface	CCITT X.21
Transmission speed	Up to 256 000 bps
Number of lines	One
Transfer mode	Half-duplex or duplex
Protocols	SDLC
DTE clocking	Not allowed



Interchange Circuits



Legend: -8- Twisted pair
 → Driver
 ← Receiver

Interface Cables

To X.21 DCE

Cable Type and Length m (ft)	Feature Code	Cable Group	BH Number	Cable PH
Fixed length: 13.5 m (45)	4942 (LIC4B)	1606	03F4914 (ENEA)	58X9487
13.5 m (45) or less		1624	58X9487	58X9487
More than 13.5 m (45) and up to 122 m (400)		N/A	6398658	6398658

Wrapping

At Cartridge Connector

Install wrap plug PN 65X8927 in (2), port 0.

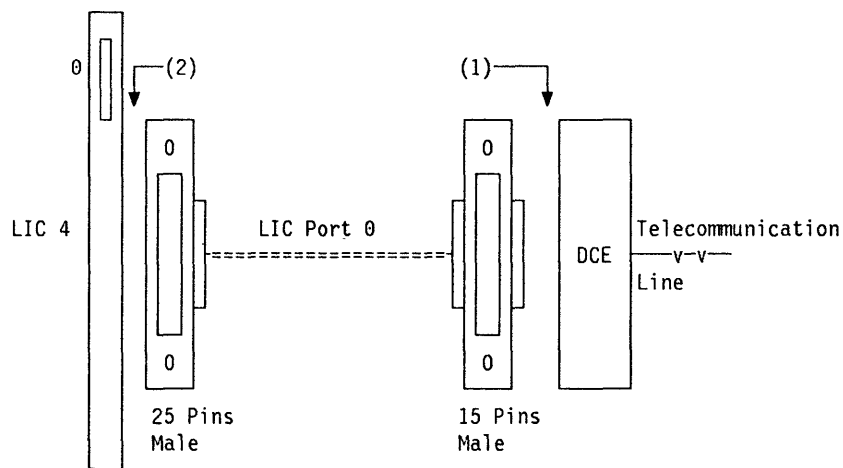
See "TSS Wrap Tools" on page 2-28 for pin-to-pin assignment.

Voltage Levels

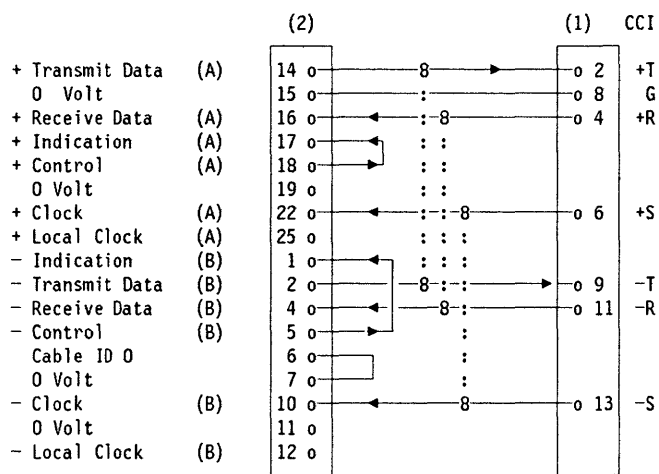
See "3 Volts" on page 2-31.

LIC Type 4B DCE Interface (France Transfix Only)

Interface	CCITT X.21
Transmission speed	Up to 256 000 bps
Number of lines	One
Transfer mode	Half-duplex or duplex
Protocols	SDLC
DTE clocking	Not allowed



Interchange Circuits



Legend: -8- Twisted pair
 → Driver
 ← Receiver

Interface Cables

To X.21 DCE Transfix France

Cable Type and Length m (ft)	Feature Code	Cable Group	BM Number	Cable PH
Fixed length: 13.5 m (45)	4942 (LIC4B)	1609	03F4915 (EHEA)	58X9488
13.5 m (45) or less		1609	58X9488	58X9488
More than 13.5 m (45) and up to 122 m (400)		N/A	6398661	6398661

Wrapping

At Cartridge Connector

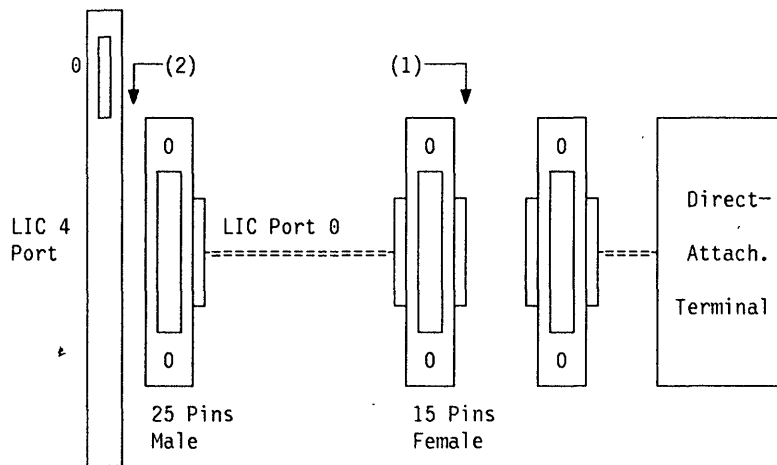
Install wrap plug PN 65X8927 in (2), port 0.
See "TSS Wrap Tools" on page 2-28 for pin-to-pin assignment.

Voltage Levels

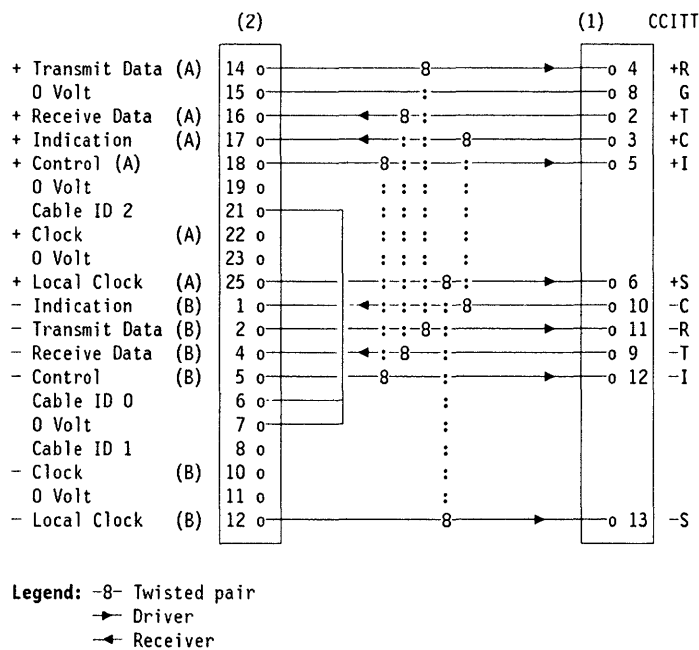
See "3 Volts" on page 2-31.

LIC Type 4B Direct Attachment Interface

Interface	CCITT X.21
Transmission speed	Up to 256 000 bps
Number of lines	One
Transfer mode	Half-duplex or duplex
Protocols	SDLC
DTE clocking	Up to 256 000 bps



Interchange Circuits



Interface Cables

To X.21 Direct Attachment

Cable Type and Length m (ft)	Feature Code	Cable Group	BM Number	Cable PN
Fixed length: 13.5 m (45)	4942 (LIC4B) (No ENEA)	1608	58X9486	58X9486
30 m (99) or less		1625	58X9486	58X9486
More than 30 m (99) and up to 122 m (400)		N/A	6398660	6398660

Wrapping

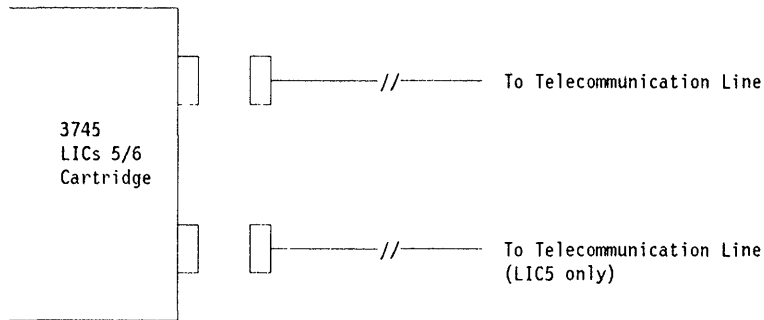
At Cartridge Connector

Install wrap plug PN 65X8927 in (2), port 0.
See "TSS Wrap Tools" on page 2-28 for pin-to-pin assignment.

Voltage Levels

See "3 Volts" on page 2-31.

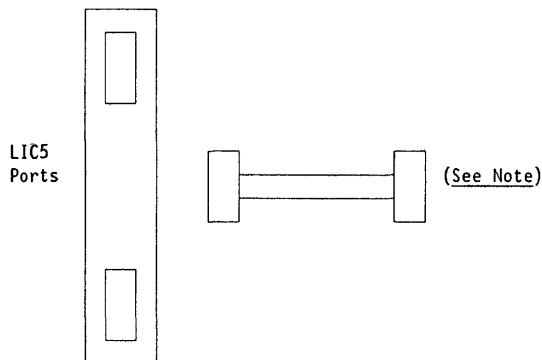
LIC5 and LIC6 Interfaces and Cables



The 3745 provides line cables to the customer's telecommunication socket (see *Power Supply and Telecommunication Connections for IBM Modems*, GA33-0054).

LIC Type 5 Line Interface

Transmission speed	4800 or 9600 or 14 400 bps
Number of lines	Two
Transfer mode	Half-duplex or duplex
Protocols	BSC, SDLC



Note: See *Power Supply and Telecommunication Connections for IBM Modems*, GA33-0054.

Interchange Circuits

Lead Color	Pin Assignments (LIC5 Side)	Pin Assignments (Line Side)	Signal Name
Blue	1	(See Note above)	Receive (Rec) 1
Orange	2		Receive (Rec) 2
Yellow	7		Transmit (Tsm) 1
Black	8		Transmit (Tsm) 2

Interface Cables

Refer to *Power Supply and Telephone Connections for IBM Modems*, GA33-0054.

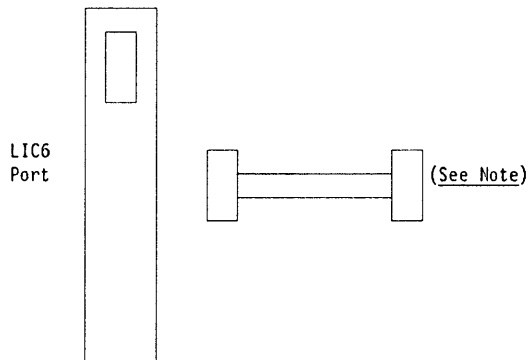
Wrapping

At Cartridge Connector: Install wrap plug PN 11F4815. See "TSS Wrap Tools" on page 2-28 for pin-to-pin assignment.

At Cable End: Install national wrap plug at cable end (see MIP for PNs). All wrap plugs wrap Receive 1 to Transmit 1 and Receive 2 to Transmit 2.

LIC Type 6 Line Interface

Transmission speed	Up to 56 000 bps
Number of lines	One
Transfer mode	Half-duplex or duplex
Protocols	BSC, SDLC



Note: See *Power Supply and Telecommunication Connections for IBM Modems*, GA33-0054.

Interchange Circuits

Lead Color	Pin Assignments (LIC6 Side)	Pin Assignments (Line Side)	Signal Name
Blue	1	(See Note above)	Receive (Rec) 1
Orange	2		Receive (Rec) 2
Yellow	7		Transmit (Tsm) 1
Black	8		Transmit (Tsm) 2

Interface Cables

Refer to *Power Supply and Telephone Connections for IBM Modems*, GA33-0054.

Wrapping

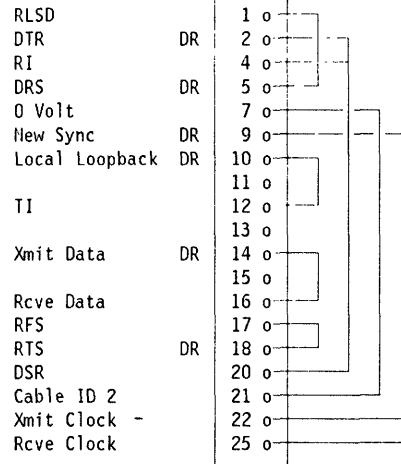
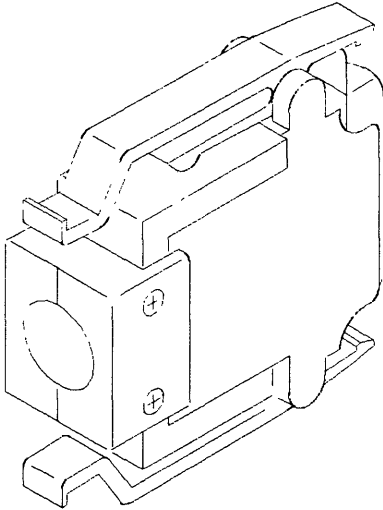
At Cartridge Connector: Install wrap plug PN 11F4815. See "TSS Wrap Tools" on page 2-28 for pin-to-pin assignment.

At Cable End: Install national wrap plug at cable end (see MIP for PNs). All wrap plugs wrap Receive 1 to Transmit 1 and Receive 2 to Transmit 2.

TSS Wrap Tools

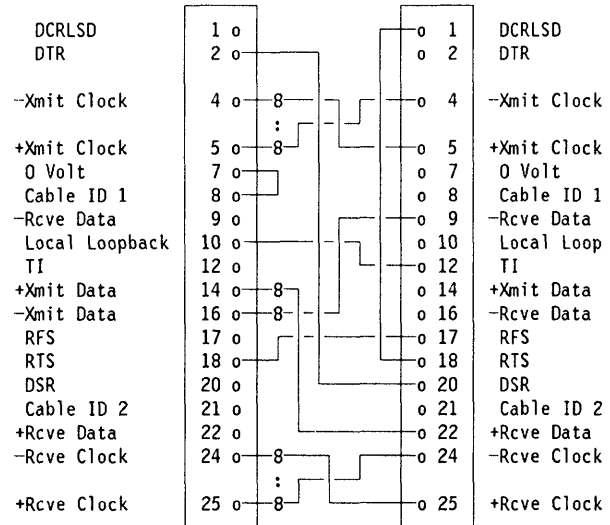
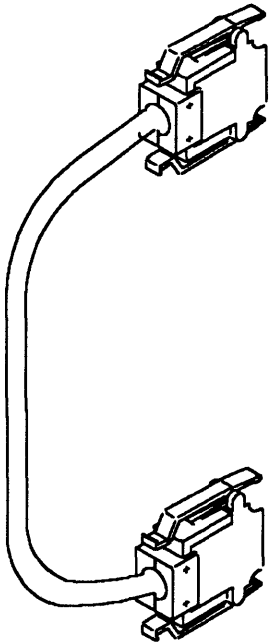
Wrap Plug PN 65X8927

For LIC 1 and LIC 4



Wrap Tool PN 65X8928

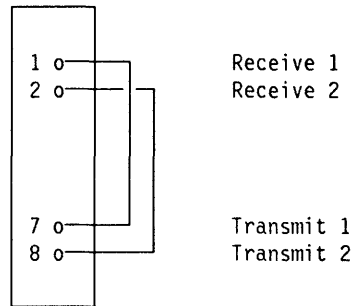
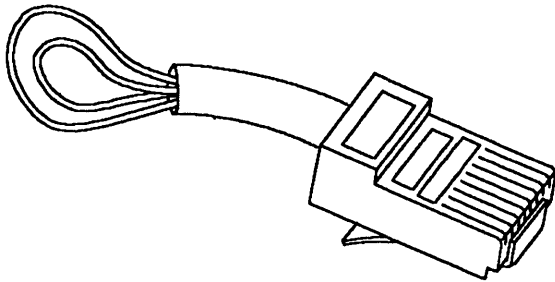
For LIC 3



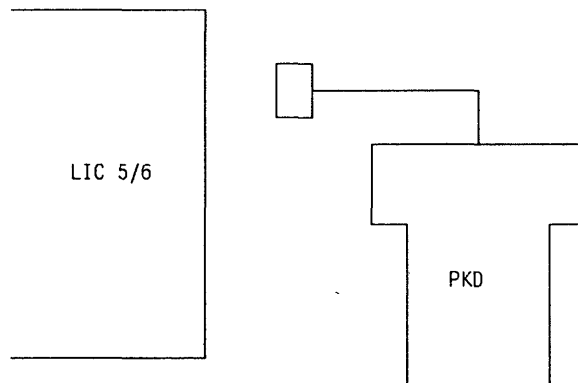
This wrap cable is plugged between the upper socket and the lower socket of a LIC 3 (plugging is interchangeable).

Wrap Plug PN 11F4815

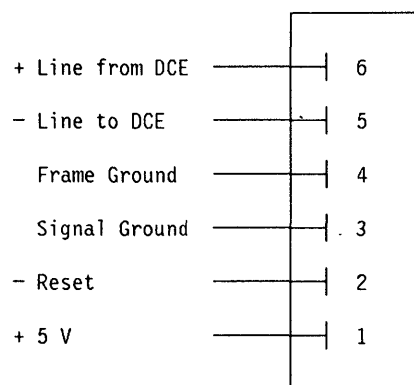
For LIC 5 and LIC 6



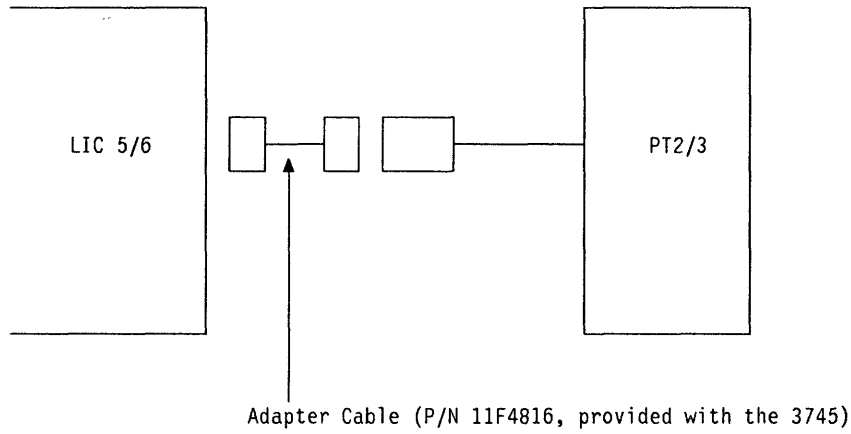
PKD Interface



Connector And Pin Assignment

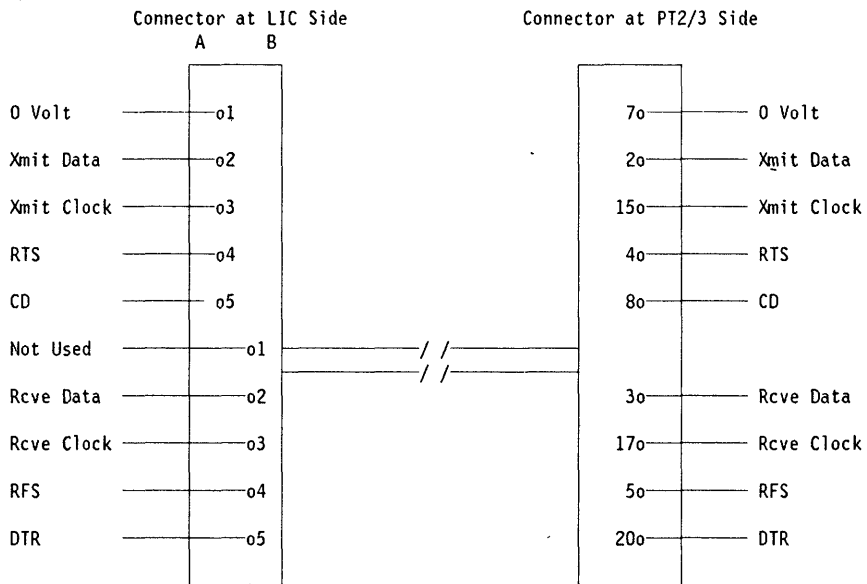


PT2/3 Interface



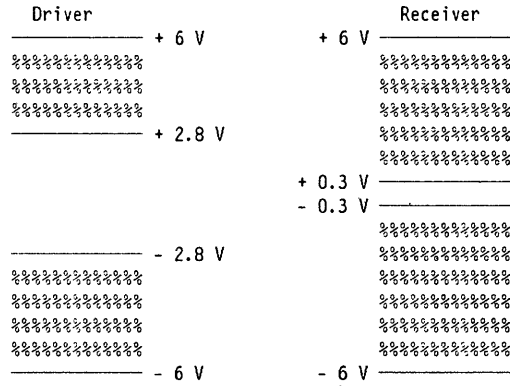
Note: When using the PT2/3 device, the SLT/VTL switch must be set to ON.

Pin Assignments on Adapter Cable

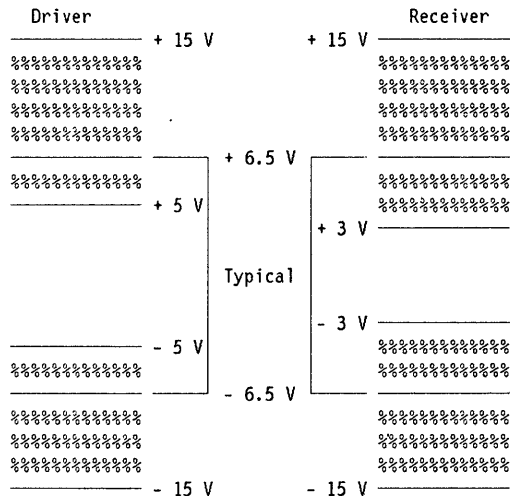


Driver/Receiver Typical Voltage Operating Ranges

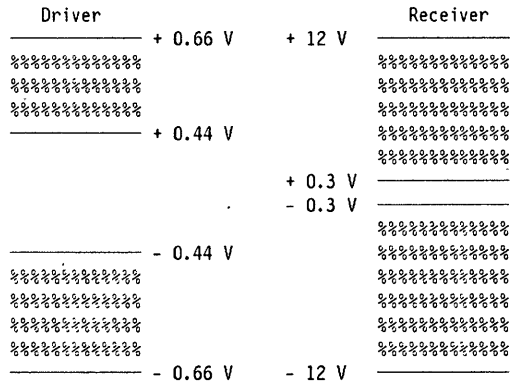
3 Volts



6.5 Volts



0.55 Volt (V.35 Balanced Circuits)



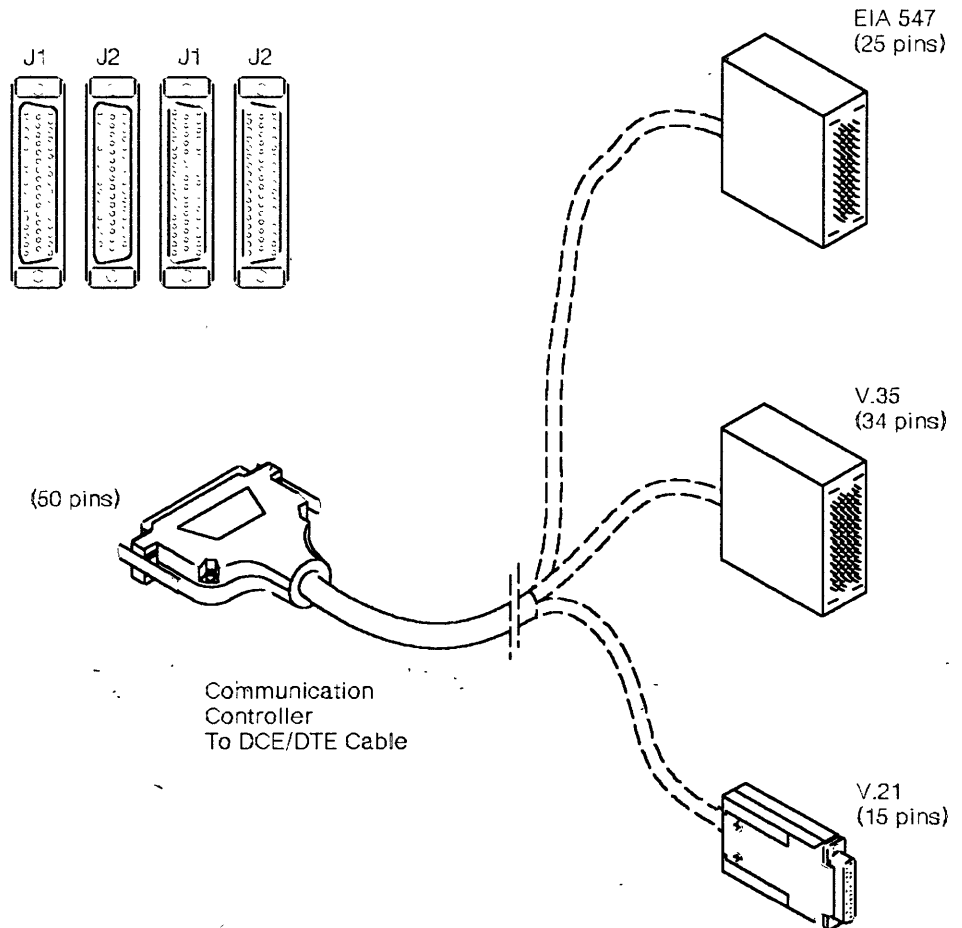
Between wires A and B of given signal for:

- ± Transmitted data
- ± Received data
- ± Receiver signal element timing
- ± Transmitter signal element timing



Chapter 3. HPTSS Interface Cables

DTE/DCE Cable Connectors



For cable ordering, see the HPTSS cable descriptions in the following pages.

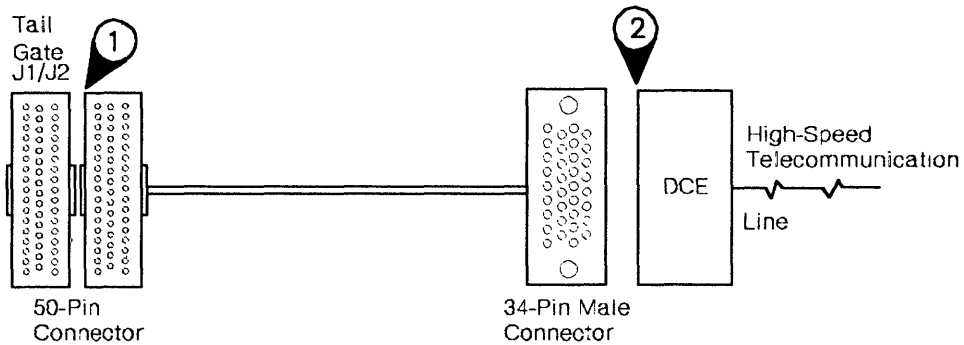
Feature Code: The HPTSS cable feature code is **4740** for 3745 Models 210, 310, 410, and 610 and feature code **4741** for 3745 Models 130, 150, and 170.

V.35 Interface to DCE

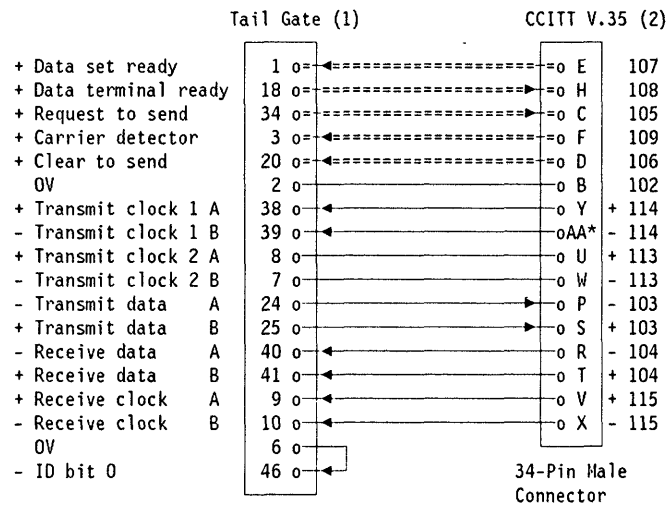
Cable Type	Length, m (ft)	Feature Code *	Cable Group	Cable PN
Standard Fixed	10 m (33)	4740/4741	5831	58X9344
Variable	Less than 10 m (33)	4740/4741	5830	58X9344
Variable	Up to 35 m (115) (See note below)	4740/4741	NA	58X9344

* **Feature Code:** 4740 is for 3745 Models 210, 310, 410, and 610
4741 is for 3745 Models 130, 150, and 170

Note: The 35 m (115 ft) maximum cable length is authorized only if the DCE provides support of circuit 113 (Transmit Clock 2) for clocking in the transmit data from the HPTSS. Circuit 113 is circuit 114 (Transmit Clock 1) from the DCE looped back to the DCE. The option to support circuit 113 may or may not be available on the manufacturer's DCE. Verify that this support exists by reading the documentation on your DCE, and select the options that correspond to your cable length. When circuit 113 is not supported by the DCE, the cable length is limited to 15 m (50 ft).



Interchange Circuits



Legend: == Shielded wires
* AA is also named 'a'

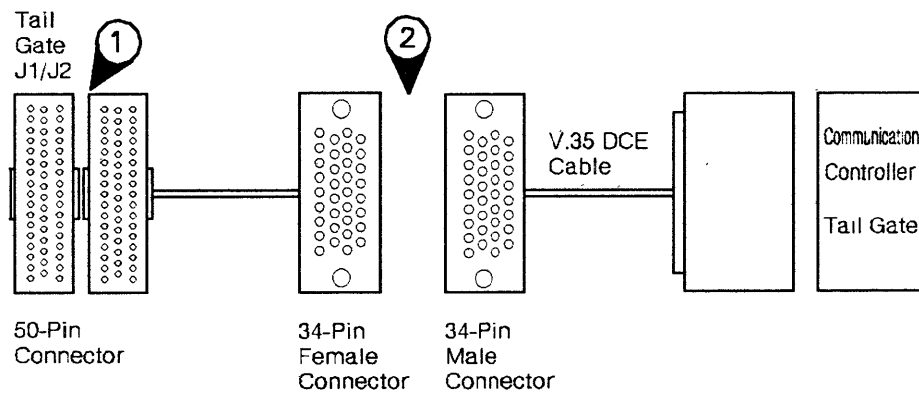
Voltage levels: Refer to "Voltage Interface Measurements" on page 3-9 for information.

V.35 Direct Attach Cable

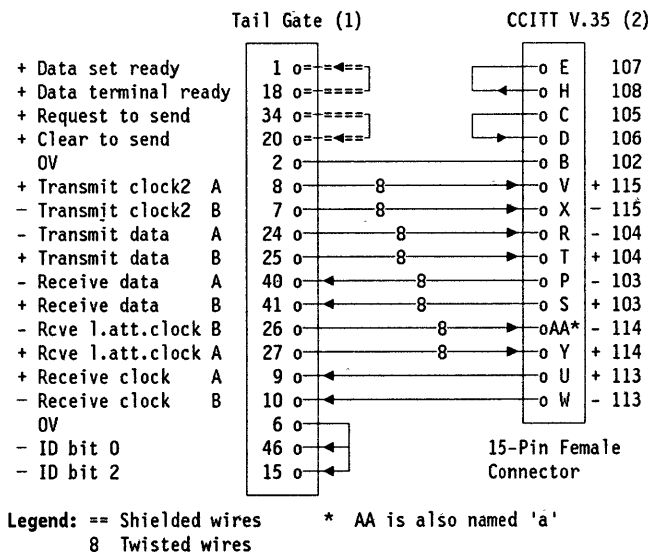
Cable Type	Length, m (ft)	Feature Code *	Cable Group	Cable PN
Standard Fixed	10 m (33)	4740/4741	5837	58X9347
Variable	Less than 10 m (33)	4740/4741	5836	58X9347
Variable	Up to 100 m (330)	4740/4741	NA	58X9347

* Feature Code: 4740 is for 3745 Models 210, 310, 410, and 610
4741 is for 3745 Models 130, 150, and 170

Cable to DTE



Interchange Circuits



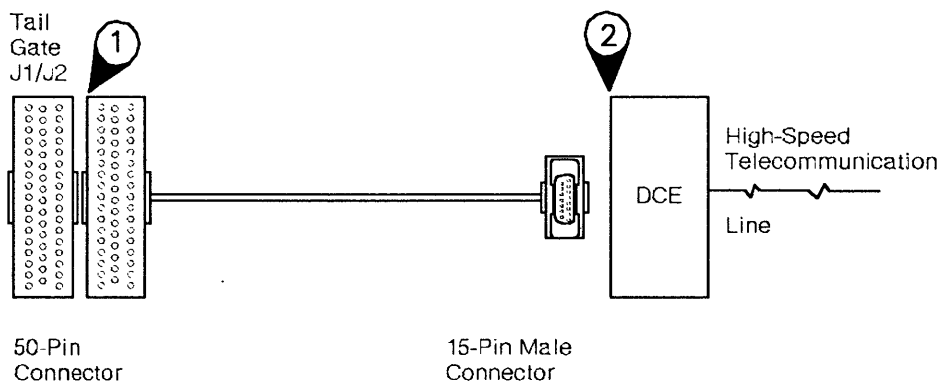
Voltage levels: Refer to "Voltage Interface Measurements" on page 3-9 for information.

X.21 Interface to DCE (Including Transfix France at 1.920 Mbps)

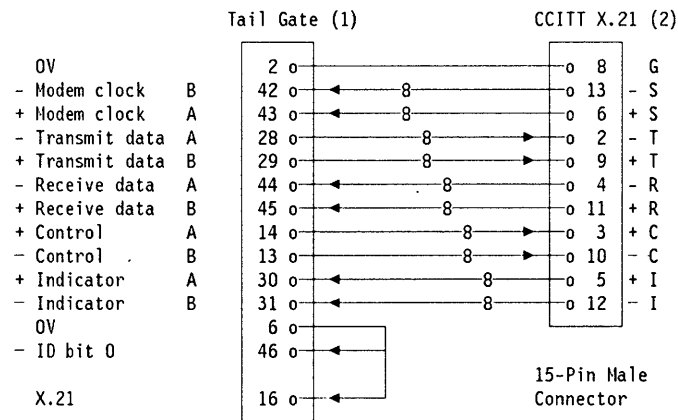
Cable Type	Length, m (ft)	Feature Code *	Cable Group	Cable PN
Standard Fixed	10 m (33)	4740/4741	5833	58X9345
Variable	Less than 10 m (33)	4740/4741	5832	58X9345

* **Feature Code:** 4740 is for 3745 Models 210, 310, 410, and 610
4741 is for 3745 Models 130, 150, and 170

Cable to DCE



Interchange Circuits



Legend: 8 Twisted wires

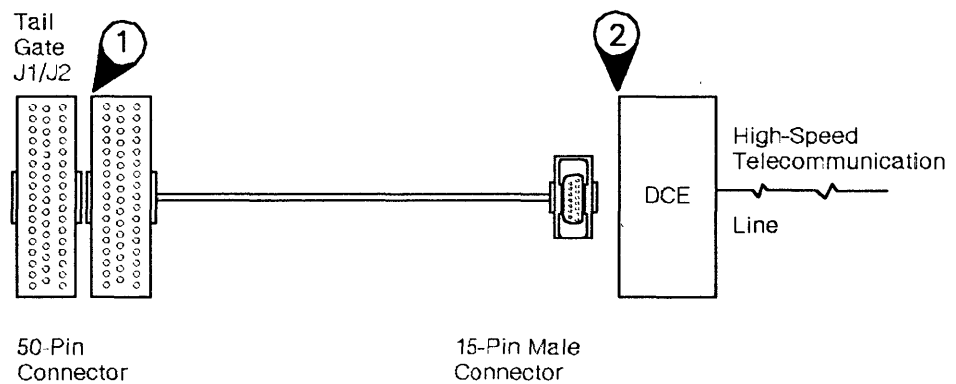
Voltage levels: Refer to "Voltage Interface Measurements" on page 3-9 for information.

X.21 Interface to DCE (Transfix France, Except 1.920 Mbps)

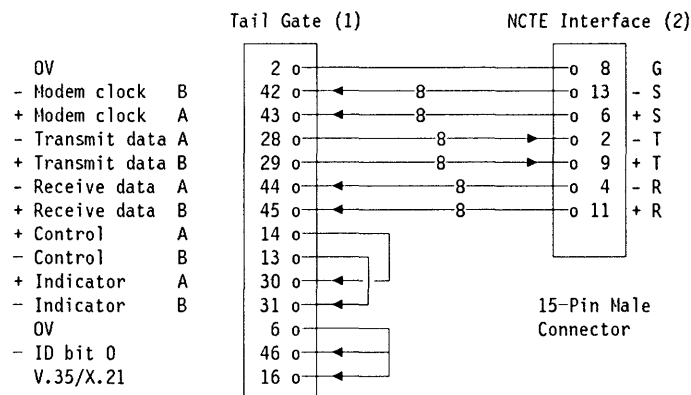
Cable Type	Length, m (ft)	Feature Code *	Cable Group	Cable PN
Standard Fixed	10 m (33)	4740/4741	5835	58X9346
Variable	Less than 10 m (33)	4740/4741	5834	58X9346

* **Feature Code:** 4740 is for 3745 Models 210, 310, 410, and 610
4741 is for 3745 Models 130, 150, and 170

Cable to DCE



Interchange Circuits



Legend: 8 Twisted wires

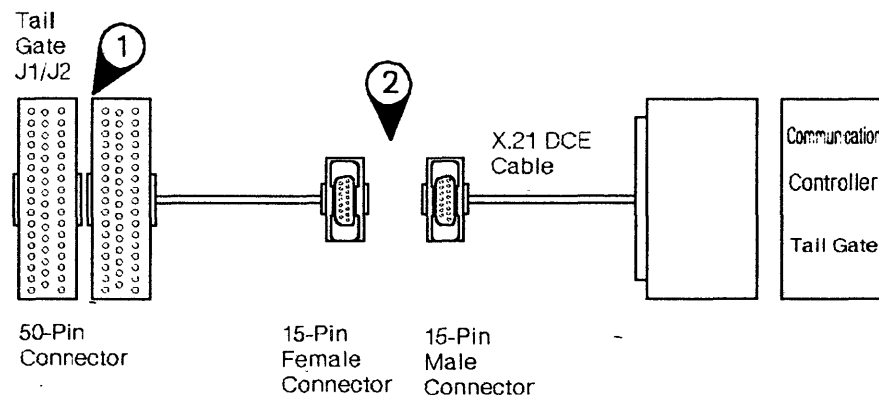
Voltage levels: Refer to "Voltage Interface Measurements" on page 3-9 for information.

X.21 Direct Attach Cable

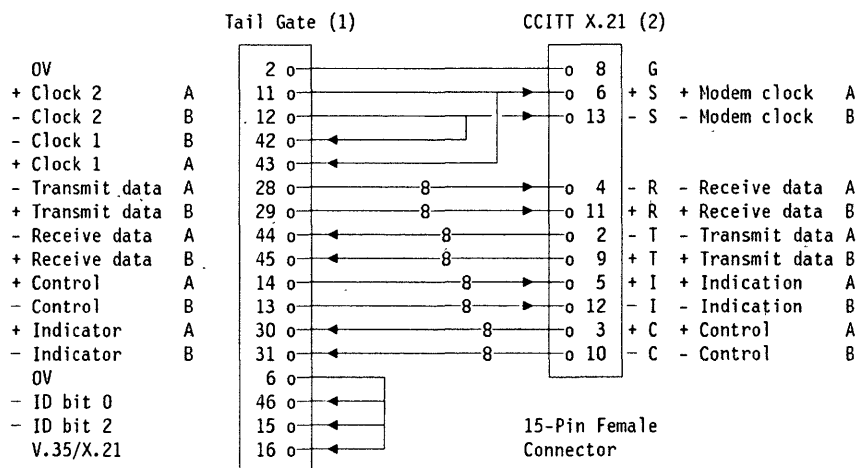
Cable Type	Length, m (ft)	Feature Code *	Cable Group	Cable PN
Standard Fixed	10 m (33)	4740/4741	5839	58X9348
Variable	Less than 10 m (33)	4740/4741	5838	58X9348

* **Feature Code:** 4740 is for 3745 Models 210, 310, 410, and 610
4741 is for 3745 Models 130, 150, and 170

Cable to DTE



Interchange Circuits



Legend: 8 Twisted wires

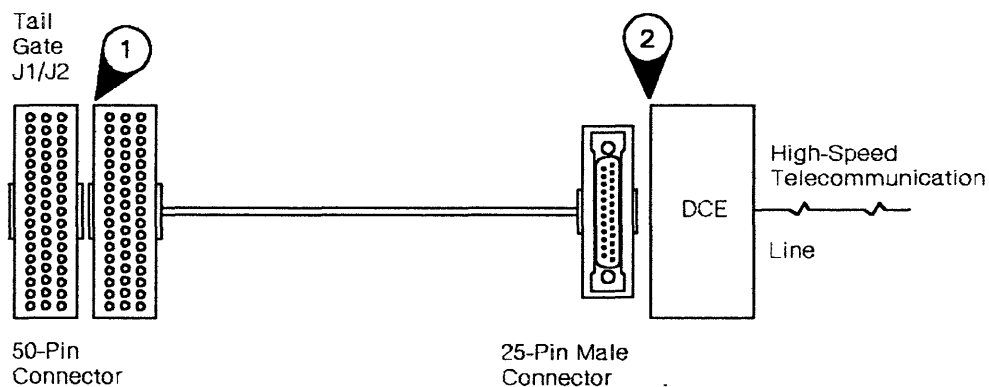
Voltage levels: Refer to "Voltage Interface Measurements" on page 3-9 for information.

EIA-547 Interface to DCE

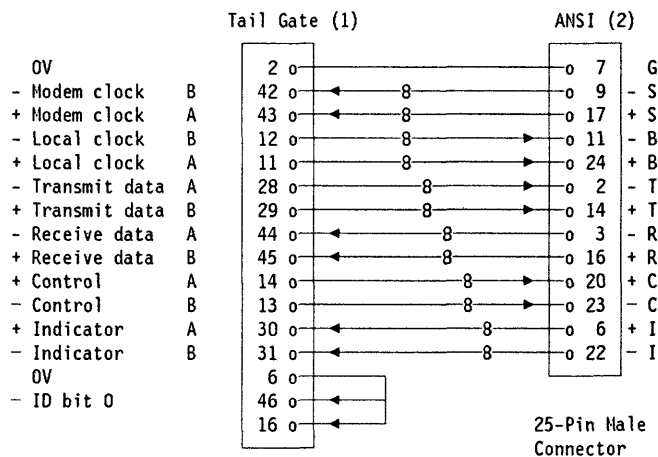
Cable Type	Length, m (ft)	Feature Code *	Cable Group	Cable PN
Standard Fixed	10 m (33)	4740/4741	5844	11F4837
Variable	Less than 10 m (33)	4740/4741	5842	11F4837
Variable	Up to 35 m (115)	4740/4741	NA	11F4837

* **Feature Code:** 4740 is for 3745 Models 210, 310, 410, and 610
4741 is for 3745 Models 130, 150, and 170

Cable to DCE



Interchange Circuits



Legend: 8 Twisted wires

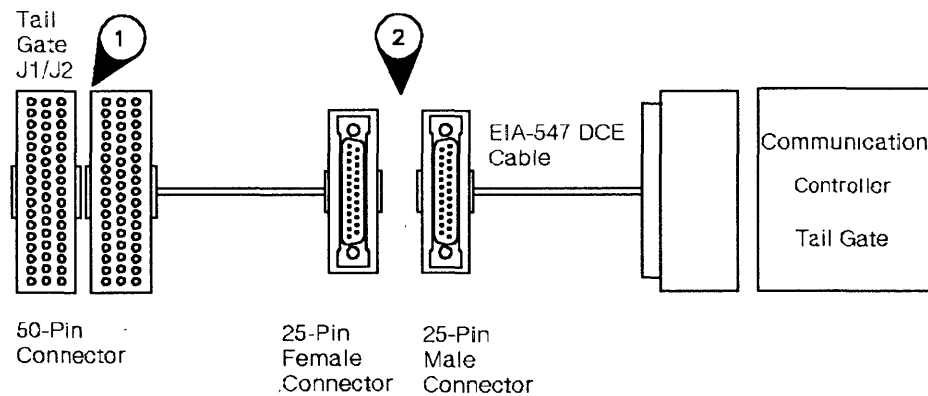
Voltage levels: Refer to "Voltage Interface Measurements" on page 3-9 for information.

EIA-547 Direct Attach Cable

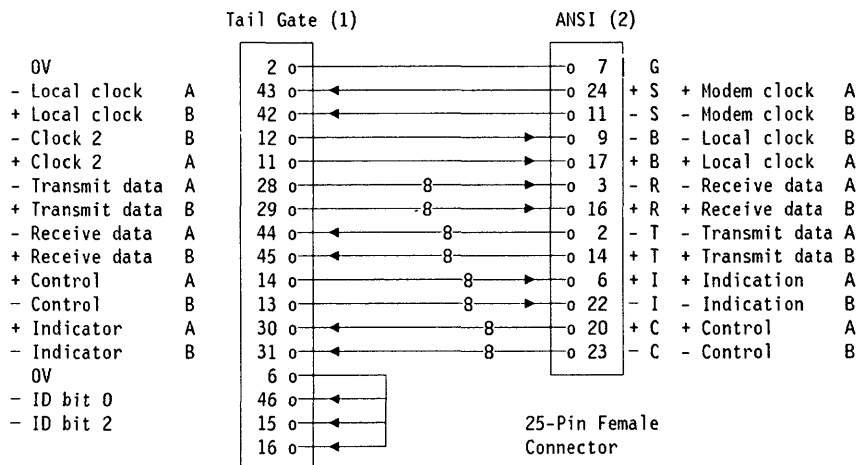
Cable Type	Length, m (ft)	Feature Code *	Cable Group	Cable PN
Standard Fixed	10 m (33)	4740/4741	5845	11F4838
Variable	Less than 10 m (33)	4740/4741	5843	11F4838
Variable	Up to 100 m (328)	4740/4741	NA	11F4838

* **Feature Code:** 4740 is for 3745 Models 210, 310, 410, and 610
4741 is for 3745 Models 130, 150, and 170

Cable to DTE



Interchange Circuits



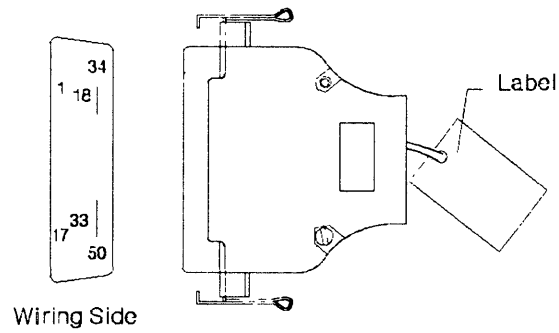
Legend: 8 Twisted wires

Voltage levels: Refer to "Voltage Interface Measurements" on page 3-9 for information.

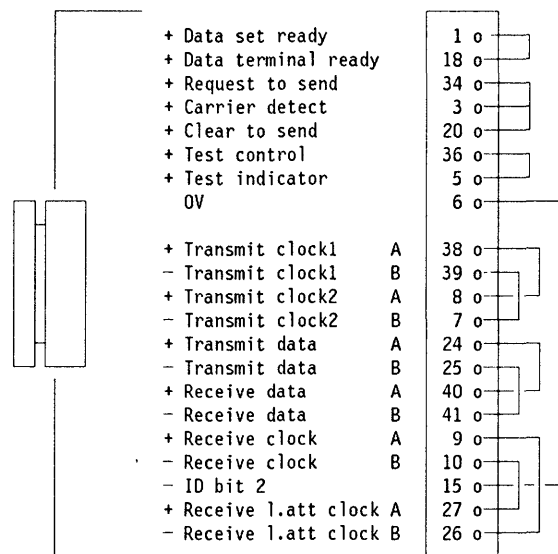
Voltage Interface Measurements

V.35 Interface Signal Name	CCITT Circuit Number	Level	Voltage
CTS	105	ON OFF	> +3 V < -3 V
DTR	108.2	ON OFF	> +3 V < -3 V
TC	140	ON OFF	> +3 V < -3 V
Transmit Data	103	0 1	a>b 0.275 V a<b 0.275 V
Transmit Clock2	113	0 1	a>b 0.275 V a<b 0.275 V
Receive Local Attach	—	0 1	a>b 0.275 V a<b 0.275 V
X.21 Interface			
Transmit Data	T	0 1	a>b 0.275 V a<b 0.275 V
Control	C	0 1	a>b 0.275 V a<b 0.275 V

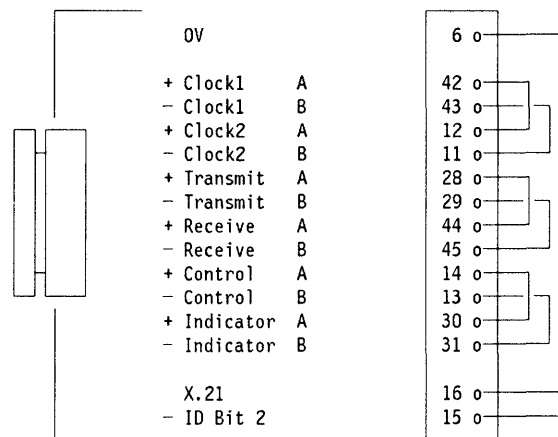
HPTSS Wrap Plugs



Wrap Plug V.35 PN 58X9349

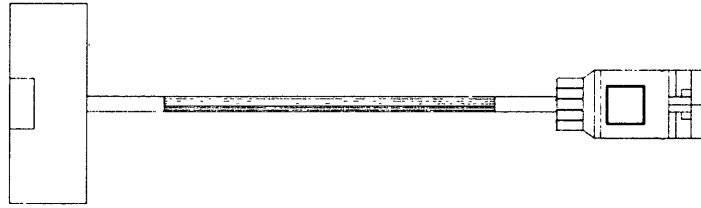


Wrap Plug X.21 PN 58X9354



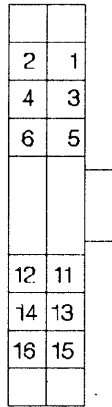
Chapter 4. TRSS Interface Cable

TIC Card to Tailgate Cable

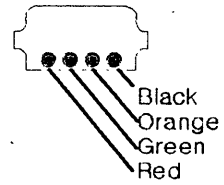


To TIC Card

To Tailgate



Pin Position
(Mating Side)



Interchange Circuits

Signal Name	Color	Pin Connector (Socket Side)
+ Ring out A	Black	Position 16
+ Ring out B	Orange	Position 15
+ Ring in A	Green	Position 1
+ Ring in B	Red	Position 2

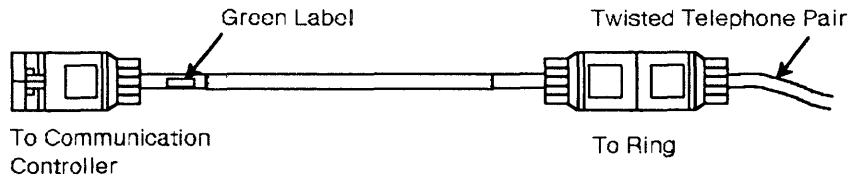
Cable to Ring Wall Connector

The access to the ring interface is via the attachment cable.

Cable Type	Length, m (ft)	Feature Code *	Cable Group	Cable PN	BM Number
Fixed (U.S.A.)	21.3 m (70)	4760/4771	1666	61X3229	61X3229
Fixed (EMEA)	9 m (30)	4760/4771	1666	8642552	03F4906
Variable	Up to 21.3 m (70)	4760/4771	1667	61X3229	61X3229
Variable	Up to 44.2 m (145)	4760/4771	NA	61X3229	61X3229

* **Feature Code:** 4760 is for 3745 Models 210, 310, 410, and 610
4771 is for 3745 Models 130, 150, and 170

Note: In the case where the ring is made of a twisted telephone pair, a 'Data Grade Media to Type 3 Media Filter' must be inserted between the end of the twisted telephone pair and the 3745 (see the following figure).



Voltage Levels (Ring Transmitter/Receiver)

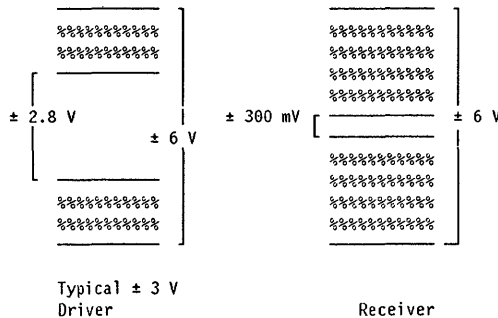
Ring Receiver

Minimum input signal: 50 millivolts peak-to-peak

Ring Transmitter

Output signal: Between 3.0 and 4.5 Volts peak to peak.

Output load: 150 Ohms \pm 10 %



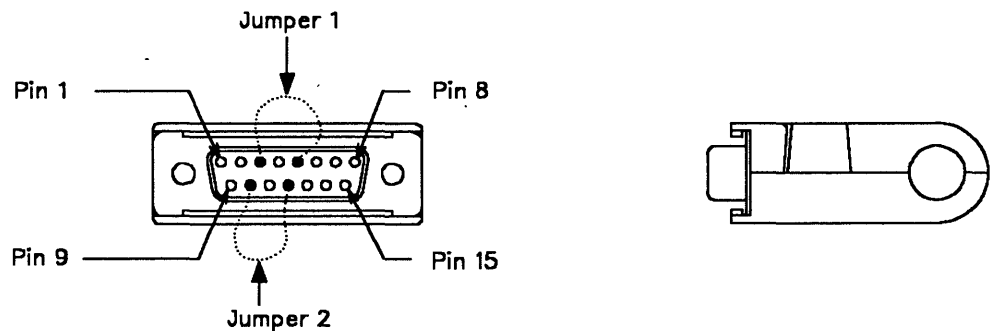
Chapter 5. AUI Ethernet** Interface Cables.

Both the office and standard access unit interface (AUI) Ethernet cables are provided by vendors and are not described in this document. The cable connectors must be equipped with a slide latch.

Warning:

1. All AUI Ethernet cables **must** conform to the ISO 8802-3.
2. Before connecting the AUI Ethernet cables to the media access unit (MAU), you should be aware of the following notes:
 - a. The Ethernet feature's performances have been checked with a wide range of OEMs media access units. Although meeting the 802.3 standards, some MAUs are more sensitive than others to electromagnetic environment and may degrade the box performance related to the noise margin.
 - b. The MAU must be equipped with the SQE-TEST (also called HEARTBEAT) function.

ESS Wrap Plug PN 70X8670



JUMPER	FROM	TO	DESCRIPTION
1	3	5	+TX to +RX
2	10	12	-TX to -RX



List of Abbreviations

AUI	Access Unit Interface	MAU	media access unit
BSC	binary synchronous communication	MOSS	maintenance and operator subsystem
CCITT	Consultative Committee on International Telegraph and Telephone	NCTE	network communication terminal equipment
CD	carrier detector (signal)	PC	personal computer
CTS	clear to send (signal, same as RFS)	PKD	portable keypad display
DCE	data-circuit-terminating equipment	PT2/3	portable tool 2/3
DCRLSD	data channel receive line signal detector (same as CD)	RD	receive data (signal)
DRS	data rate select (signal)	RFS	ready for sending (signal), same as CTS
DSR	data set ready (signal)	RI	ring indicator (signal)
DTE	data terminal equipment	RLSD	receive line signal detector
DTR	data terminal ready (signal)	RPQ	request for price quotation
EIA	Electronic Industries Association	RSF	remote support facility
EMEA	European, Middle Eastern, and African countries	RLSD	receive line signal detector (same as CD)
ESS	Ethernet subsystem	RTS	request to send (signal)
FESH	front-end scanner (high-speed)	SDLC	synchronous data link control
HPTSS	high-performance transmission subsystem	TD	transmitted data (signal)
HSS	high-speed scanner	TI	test indicator (signal)
LIC	line interface coupler card	TIC	token-ring interface coupler card
LSS	low-speed scanner	TRSS	token-ring subsystem
		TSS	transmission subsystem

3745 Models 210, 310, 410, and 610 Customer Documentation

Introduction (INTRO) GA33-0092	Provides information for learning about and evaluating 3745 capabilities	Configuration Program (CP) GA33-0093	Provides information for configuring a 3745
S/370 I/O IMPP GC22-7064	Provides information for doing physical site planning	Preparing for Connection (PFC) GA33-0127	Provides information for preparing cable installation and LIC 5/6 configuration
Principles of Operation (POP) SA33-0102	Describes the 3745 instruction set in order to write or modify a control program	Connection Integration Guide (CIG) SA33-0129 *	Provides information for installing and testing LICs and customizing the 3745 after installation
Basic Operations Guide (BOG) SA33-0098 *	Provides procedures for carrying out daily routine operations	Advanced Operations Guide (AOG) SA33-0097 *	Provides procedures for carrying out advanced operations and tests from the 3745 console
Problem Determination Guide (PDG) SA33-0096 *	Provides procedures for performing problem determination	Master Index (MI) SA33-0172 *	Provides references to 3745 Models 130, 150, and 170 customer documentation
Console Setup Guide (CSG) SA33-0158 *	Provides information on setting consoles for the 3745	Telecommun. Prod. Safety Handbook TPSH GA33-0126 *	Recalls safety principles
Remote load./ Activation Guide (RLA) SA33-0161	Provides information for loading and activating a remote controller		

* This manual is part of the shipping group

3745 Models 210, 310, 410, and 610 Service Documentation.

Product-Trained CE

Installation
Guide
(IG)
SY33-2057 *

Provides instructions
for installing or
relocating a 3745

Service
Functions
(SF)
SY33-2055 *

Describes the MOSS
functions used from
a 3745 console

Maintenance
Information
Proc. (MIP)
SY33-2054 *

Provides procedures
for isolating and fixing
a 3745 problem

Parts Catalog
(PC)
S135-2010 *

Provides reference
information for
ordering 3745 parts

Product-Support-Trained CE

Maintenance
Information
Ref. (NIR)
SY33-2056 *

Provides in-depth
hardware reference
information

Diagnostic
Descriptions
(DD)
SY33-2059 *

Describes the
3745 diagnostic
programs

External
Cable
Refer. (ECR)
SY33-2075 *

Provides references
to console and line
cables used for
connecting a 3745

Service
Master
Index (SMI)
SY33-2080 *

Provides references
to 3745 models
210, 310, 410, and 610
shipping group
documentation

Channel
Adapter OLTs
(CAOLT)
D99-3745A

Provides procedures
for running the CA OLTs
on a 3745

* This manual is part of the shipping group.

3745 Models 130, 150, and 170 Customer Documentation

<p>Introduction (INTRO) GA33-0138</p>	<p>Provides information for learning about and evaluating 3745 capabilities</p>	<p>Configuration Program (CP) GA33-0093</p>	<p>Provides information for configuring a 3745</p>
<p>S/370 I/O IMPP GC22-7064</p>	<p>Provides information for doing physical site planning</p>	<p>Preparing for Connection (PFC) GA33-0140</p>	<p>Provides information for preparing cable installation and LIC 5/6 configuration</p>
<p>Principles of Operation (POP) SA33-0102</p>	<p>Describes the 3745 instruction set in order to write or modify a control program</p>	<p>Connection Integration Guide (CIG) SA33-0141 *</p>	<p>Provides information for installing and testing LICs and customizing the 3745 after installation</p>
<p>Basic Operations Guide (BOG) SA33-0146 *</p>	<p>Provides procedures for carrying out daily routine operations</p>	<p>Advanced Operations Guide (AOG) SA33-0097 *</p>	<p>Provides procedures for carrying out advanced operations and tests from the 3745 console</p>
<p>Problem Determination Guide (PDG) SA33-0096 *</p>	<p>Provides procedures for performing problem determination</p>	<p>Console Setup Guide (CSG) SA33-0158 *</p>	<p>Provides information on setting consoles for the 3745</p>
<p>Master Index (MI) SA33-0142 *</p>	<p>Provides references to 3745 Models 130, 150, and 170 customer documentation</p>	<p>Telecommun. Prod. Safety Handbook TSPH GA33-0126 *</p>	<p>Recalls safety principles</p>
<p>Remote Load./Activation Guide (RLA) SA33-0161</p>	<p>Provides information for loading and activating a remote controller</p>		

* This manual is part of the shipping group.

3745 Models 130, 150, and 170 Service Documentation

Product-Trained CE

Installation
Guide
(IG)
SY33-2067 *

Provides instructions
for installing or
relocating a 3745

Service
Functions
(SF)
SY33-2069 *

Describes the MOSS
functions used from
a 3745 console

Maintenance
Information
Proc. (MIP)
SY33-2070 *

Provides procedures
for isolating and fixing
a 3745 problem

Parts Catalog
(PC)
S135-2012 *

Provides reference
information for
ordering 3745 parts

Product-Support-Trained CE

Hardware
Maintenance
Refer. (HMR)
SY33-2066 *

Provides in-depth
hardware reference
information

Diagnostic
Descriptions
(DD)
SY33-2076 *

Describes the
3745 diagnostic
programs

External
Cable
Refer. (ECR)
SY33-2075 *

Provides references
to console and line
cables used for
connecting a 3745

Service
Master
Index (SMI)
SY33-2079 *

Provides references
to 3745 models
130, 150, and 170
shipping group
documentation

Channel
Adapter OLTs
(CAOLT)
D99-3745A

Provides procedures
to run the CA OLTs
on a 3745

* This manual is part of the shipping group.



Index

A

- abbreviation list X-1
- adapters for consoles 1-3
- alternate console connection 1-2

C

- cable
 - adapters for consoles 1-3
 - alternate console 1-2
 - connectors (DTE/DCE) for HSS 3-1
 - EIA-547 direct attach (HSS) 3-8
 - EIA-547 to DCE (HSS) 3-7
 - local console 1-1
 - ordering (DTE/DCE) 2-1
 - TIC card to tailgate 4-1
 - TIC to token-ring 4-1
 - to ring wall connector (TRA) 4-2
 - V.35
 - direct attach (HSS) 3-3
 - to DCE (HSS) 3-2
 - X.21
 - direct attach 3-6
 - to DCE (HSS) 3-4
 - to DCE (Transfix France), (HSS) 3-5
- console adapters 1-3
- console connection
 - adapters 1-3
 - alternate console 1-2
 - local console 1-1
 - remote console 1-8
 - RSF modem 1-9
 - through 7427 1-5
 - 3745 to 7427 1-5
 - 7427 to 31XX or PS/2 or PC 1-6
 - 7427 to 3727 1-7
- console wrap tools 1-10

D

- direct attach cable (V.35), (HSS) 3-3
- DTE/DCE cables connectors for HSS 3-1

E

- EIA-547
 - cable to DCE (HSS) 3-7
 - direct attach cable (HSS) 3-8

H

- HSS
 - cable to DCE 3-7
 - cable to DCE (Transfix France) 3-5

HSS (continued)

- communication interfaces 3-1
- direct attach cable 3-8
- V.35 direct attach cable 3-3
- V.35 interface to DCE 3-2
- wrap plugs 3-10
- X.21 interface to DCE 3-4

I

- interfaces of HSS 3-1

L

- LIC1
 - auto-call unit interface 2-7
 - DCE interface (except Japan) 2-2
 - DCE interface (Japan only) 2-4
 - direct attach interface 2-10
- LIC1 through LIC4 interfaces and cables 2-1—2-25
- LIC3
 - DCE interface 2-12
 - direct attach interface 2-14
- LIC4-A
 - DCE interface 2-16
 - direct attach interface 2-18
- LIC4-B
 - DCE interface (except France) 2-20
 - DCE interface (France Transfix only) 2-22
 - direct attach interface 2-24
- LIC5 and LIC6 interfaces and cables 2-26—2-27
- local console connection 1-1

O

- ordering DCE/DTE cables 2-1

P

- PKD Interface 2-29
- PT2/3 Interface 2-30

R

- remote console connection 1-8
- ring
 - voltage levels (transmitter/receiver) 4-2
- RSF modem cable 1-9

T

- TIC
 - interface cable to token-ring 4-1
- token-ring
 - TIC interface cable 4-1

TSS Interface Cables 2-1

V

voltage interface measurements (HSS) 3-9
voltage levels (TRA ring transmitter/receiver) 4-2
voltage levels (TSS driver/receiver) 2-31

V.35

cable to DCE (HSS) 3-2
direct attach cable (HSS) 3-3

W

wrap tool
for LIC3 2-28

wrap tools
console/RSF 1-10
for LIC1 and LIC4 2-28
for LIC5 and LIC6 2-29
HSS 3-10

X

X.21

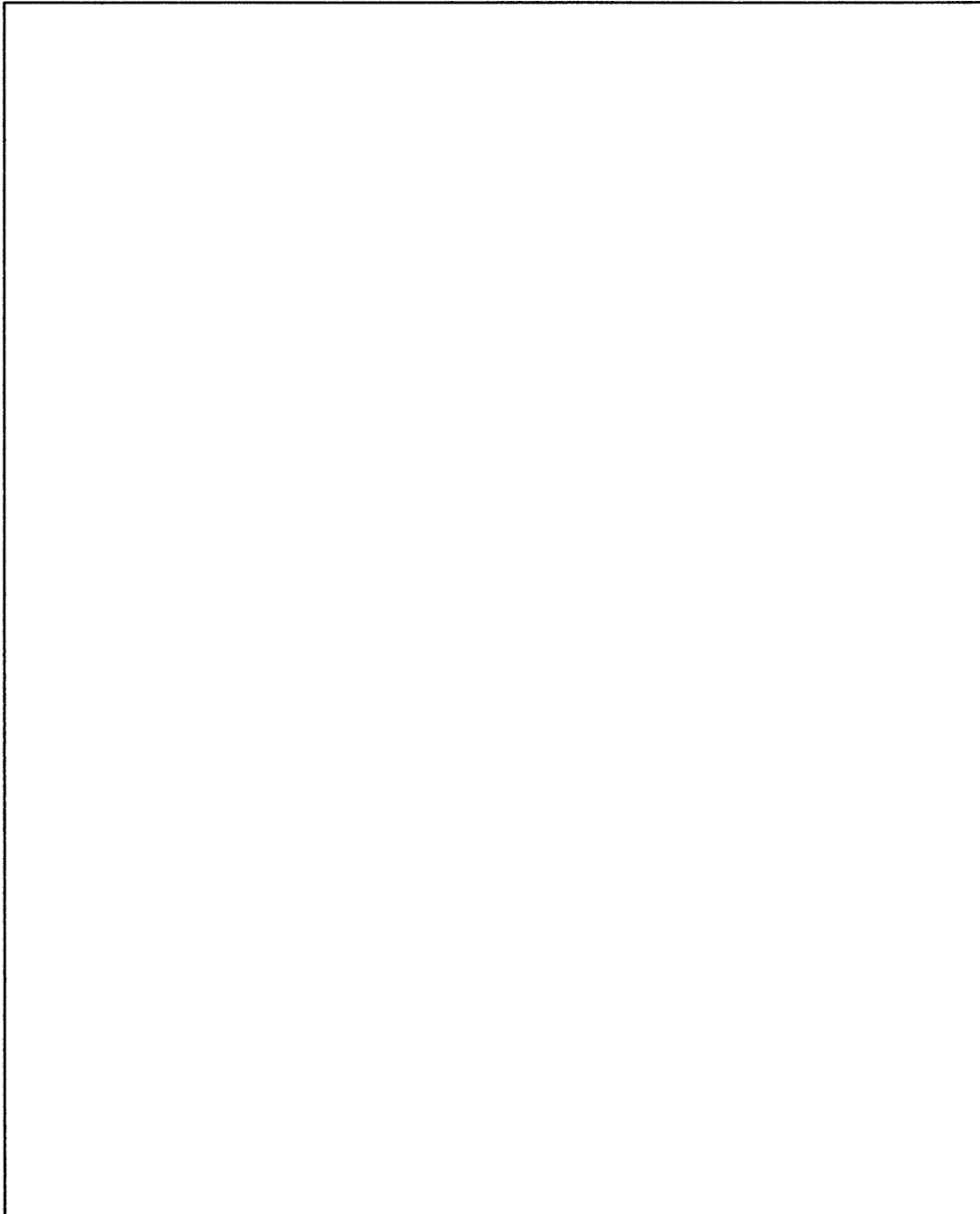
cable to DCE (HSS) 3-4
cable to DCE (Transfix France), (HSS) 3-5
direct attach cable (HSS) 3-6

IBM 3745 Communication Controller
Models 130, 150, 170, 210, 310, 410, and 610
IBM 3746 Expansion Unit
Models A11, A12, L13, L14, and L15
External Cable References
Order No. SY33-2075-3

**READER'S
COMMENT
FORM**

Please write your comments concerning this manual in the space reserved below. We will greatly appreciate them and will consider them for later releases of the present manual.

In advance, thank you.



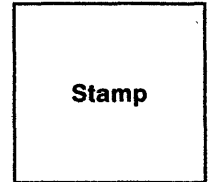
Note: Staples can cause problems with automated mail sorting equipment.
Please use pressure sensitive or other gummed tape to seal this form.

Reader's Comment Form

Fold and tape

Please Do Not Staple

Fold and tape



IBM France
Centre d'Etudes et Recherches
Service 0762 - BP 79
06610 - La Gaude
France

Fold and tape

Please Do Not Staple

Fold and tape

If you would like a reply, please print:

Your Name

Company Name _____ *Department* _____

Address _____

IBM Branch Office serving you _____

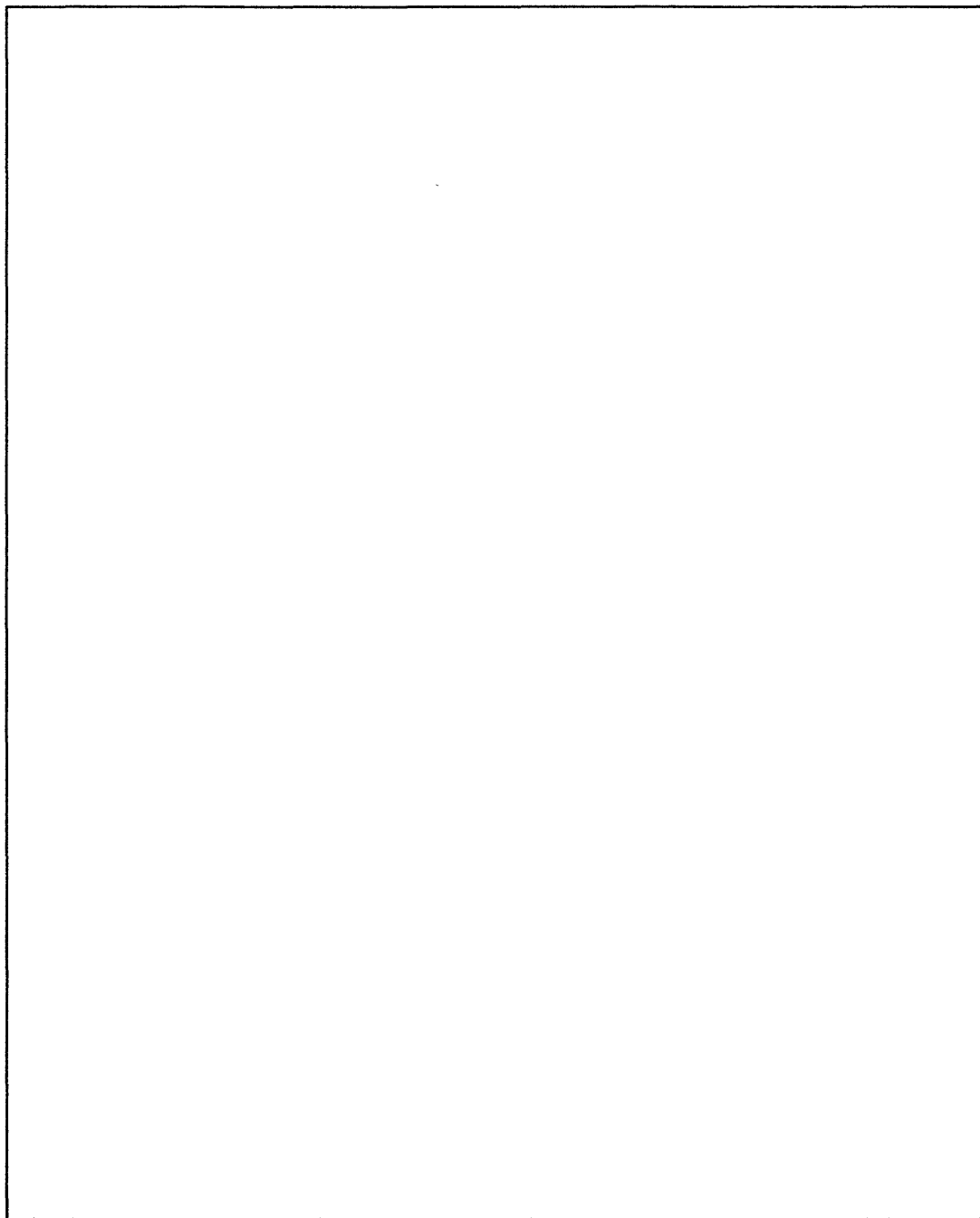


IBM 3745 Communication Controller
Models 130, 150, 170, 210, 310, 410, and 610
IBM 3746 Expansion Unit
Models A11, A12, L13, L14, and L15
External Cable References
Order No. SY33-2075-3

**READER'S
COMMENT
FORM**

Please write your comments concerning this manual in the space reserved below. We will greatly appreciate them and will consider them for later releases of the present manual.

In advance, thank you.



Note: Staples can cause problems with automated mail sorting equipment.
Please use pressure sensitive or other gummed tape to seal this form.

Reader's Comment Form

Fold and tape

Please Do Not Staple

Fold and tape



NO POSTAGE
NECESSARY
IF MAILED
IN THE
UNITED STATES

BUSINESS REPLY MAIL

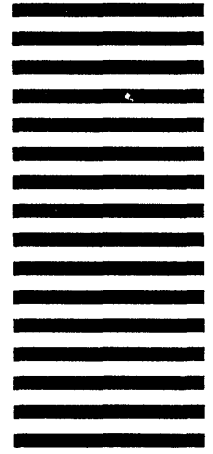
FIRST CLASS

PERMIT NO. 40

ARMONK, N.Y.

POSTAGE WILL BE PAID BY ADDRESSEE:

International Business Machines Corporation
Department 6R1LG
180 Kost Road
Mechanicsburg
PA 17055



Fold and tape

Please Do Not Staple

Fold and tape

No postage stamp necessary if mailed in the USA. (Elsewhere, an IBM office or representative will be happy to forward your comments or you may mail directly to the address in the Edition Notice on the back of the title page.)

If you would like a reply, please print:



Your Name _____

Company Name _____ Department _____

Street Address _____

City _____

State _____ Zip Code _____

IBM Branch Office serving you _____





Part Number
03F5240



SY33-2075-3

