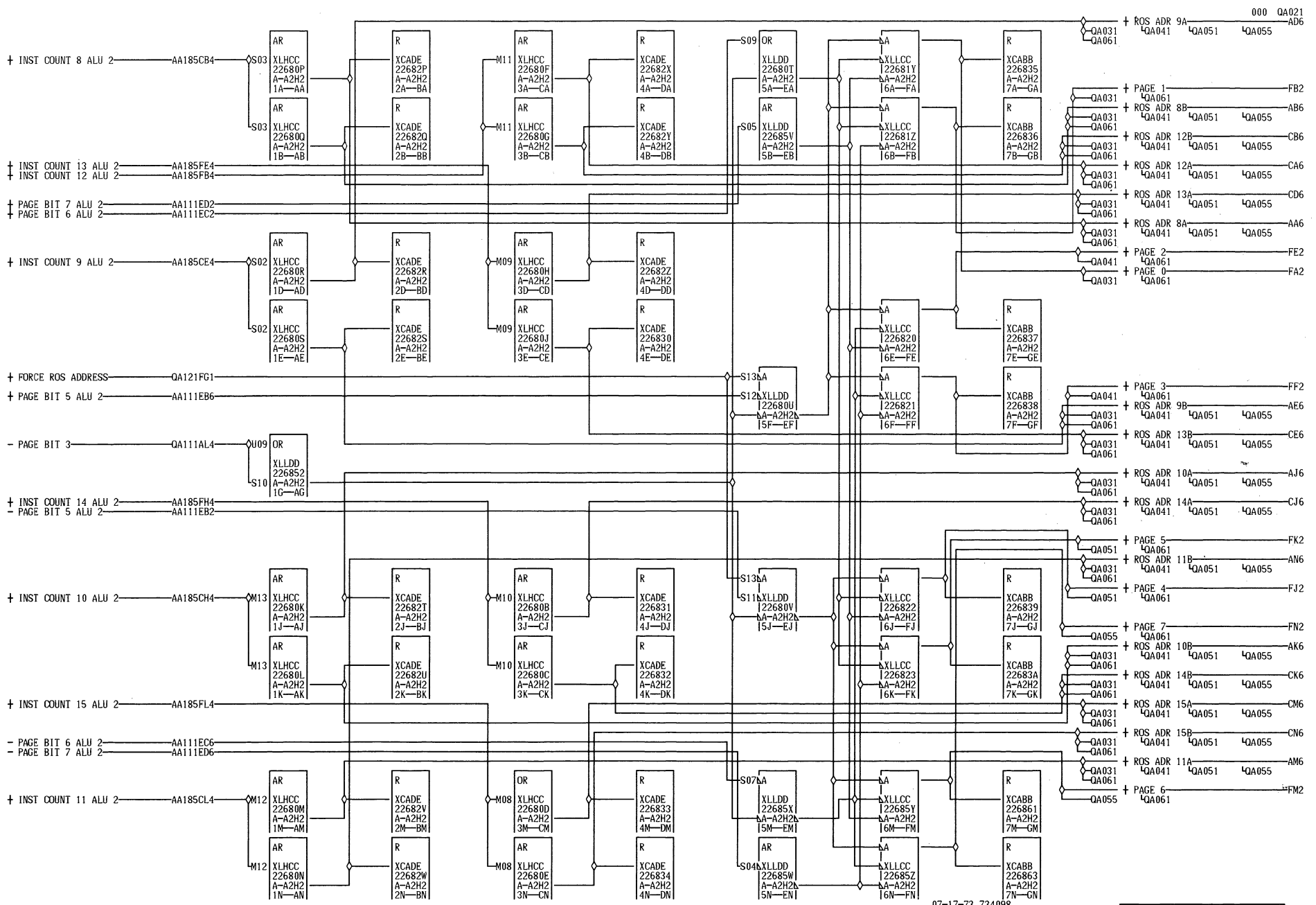


07-17-73 734098

Q
A
0
1
1
000

ALU 2 ROS BITS		Q
ALU 2		A
DATE	08-18-81 MACH. 3803-2	0
LOG	0016 FRAME 01	1
P.N. 2736414		1
IBM CORP. SDD BLK.		000
		FN

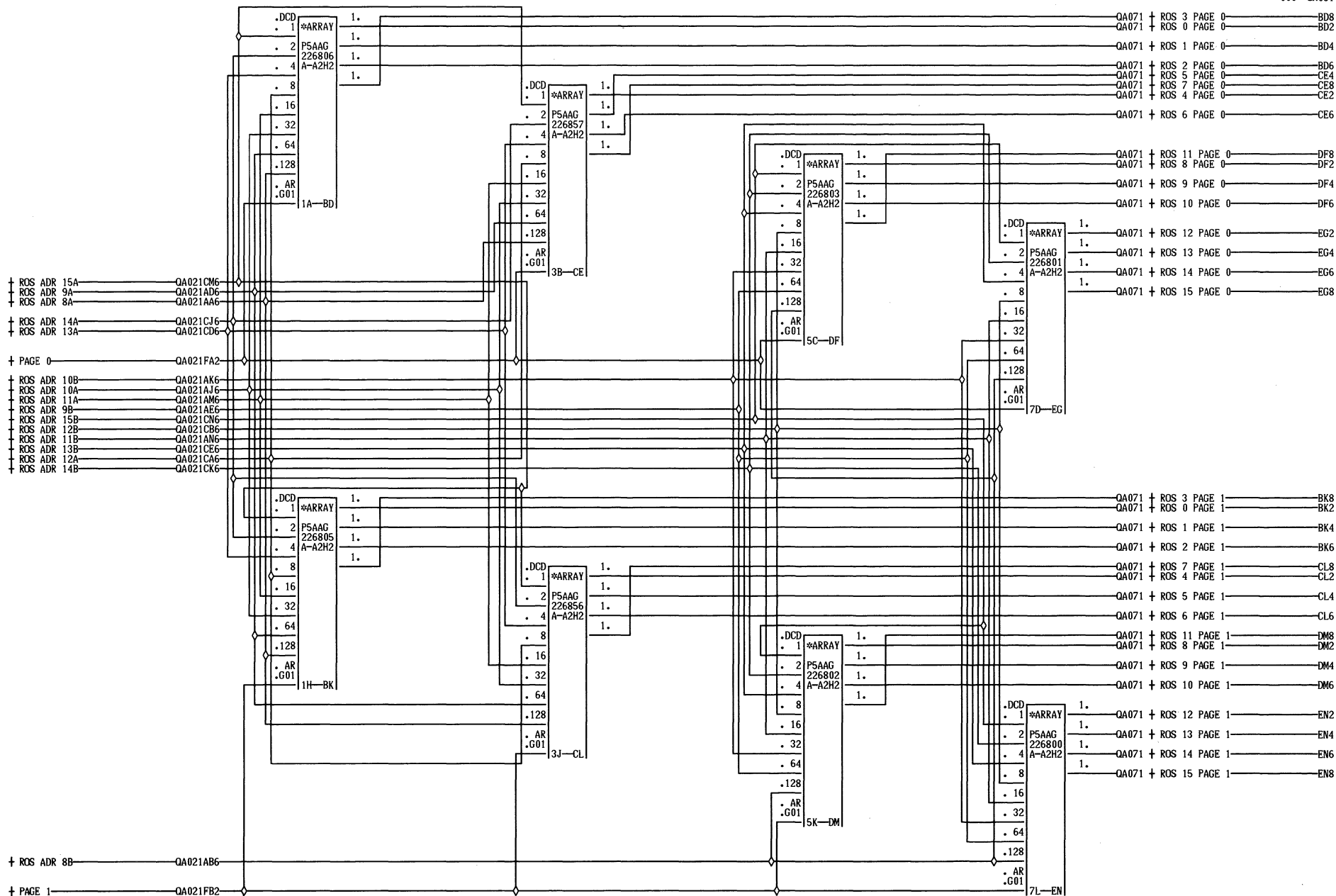


07-17-73 734098

POWERING ROS ADDR			
DATE	08-18-81	MACH.	3803-2
LOG	0016	FRAME	01
		P.N.	2736415
IBM CORP.		BLK.	GP

Q
A
0
2
1
000

Q
A
0
2
1
000

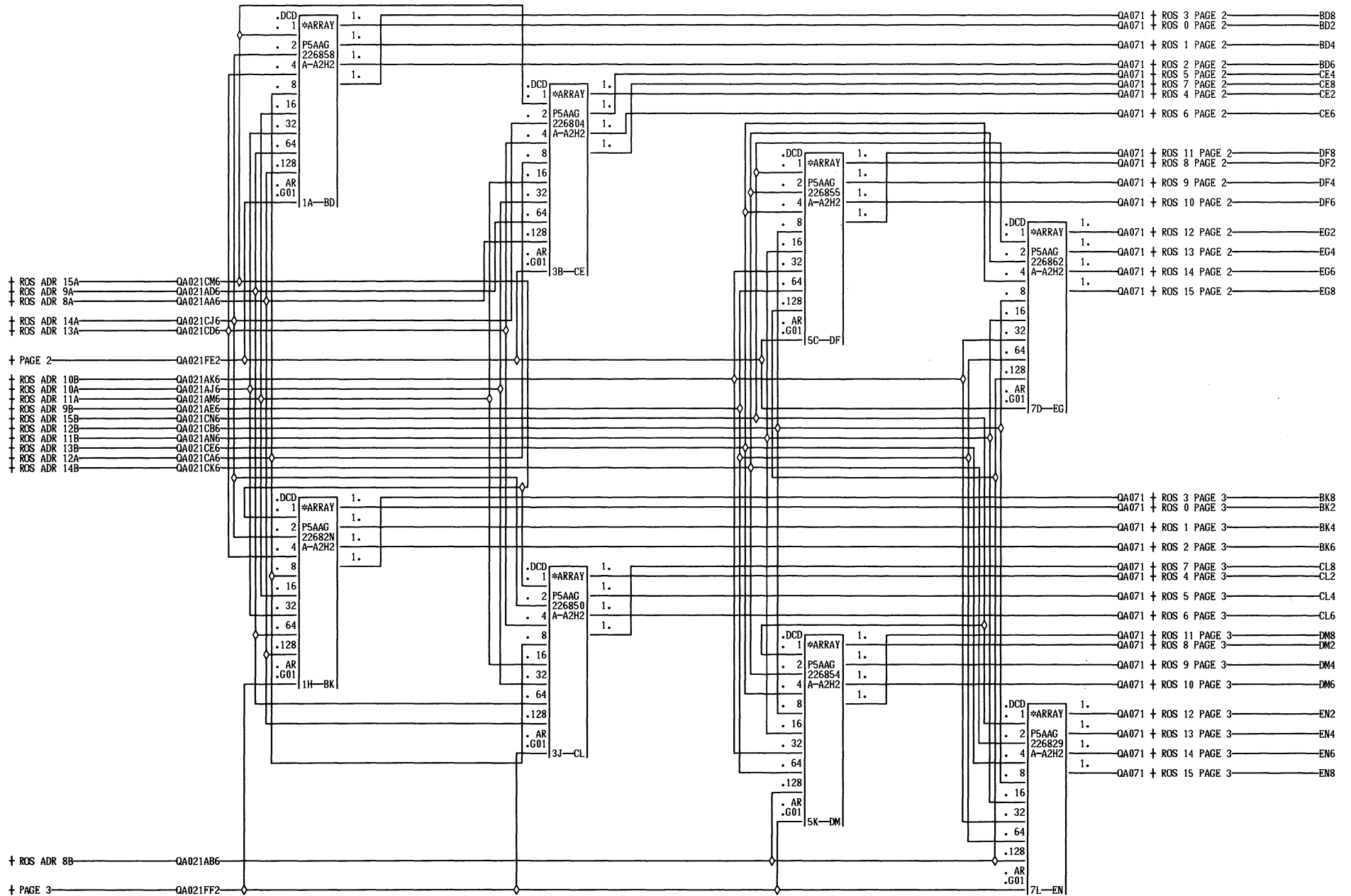


07-17-73 734098

0
A
0
3
1
000

ROS DECODE PAGE 0+1			
DATE	08-18-81	MACH.	3803-2
LOG	0016	FRAME	01
		P.N.	2736416
IBM CORP.		BLK.	EP

Q
A
0
3
1
000

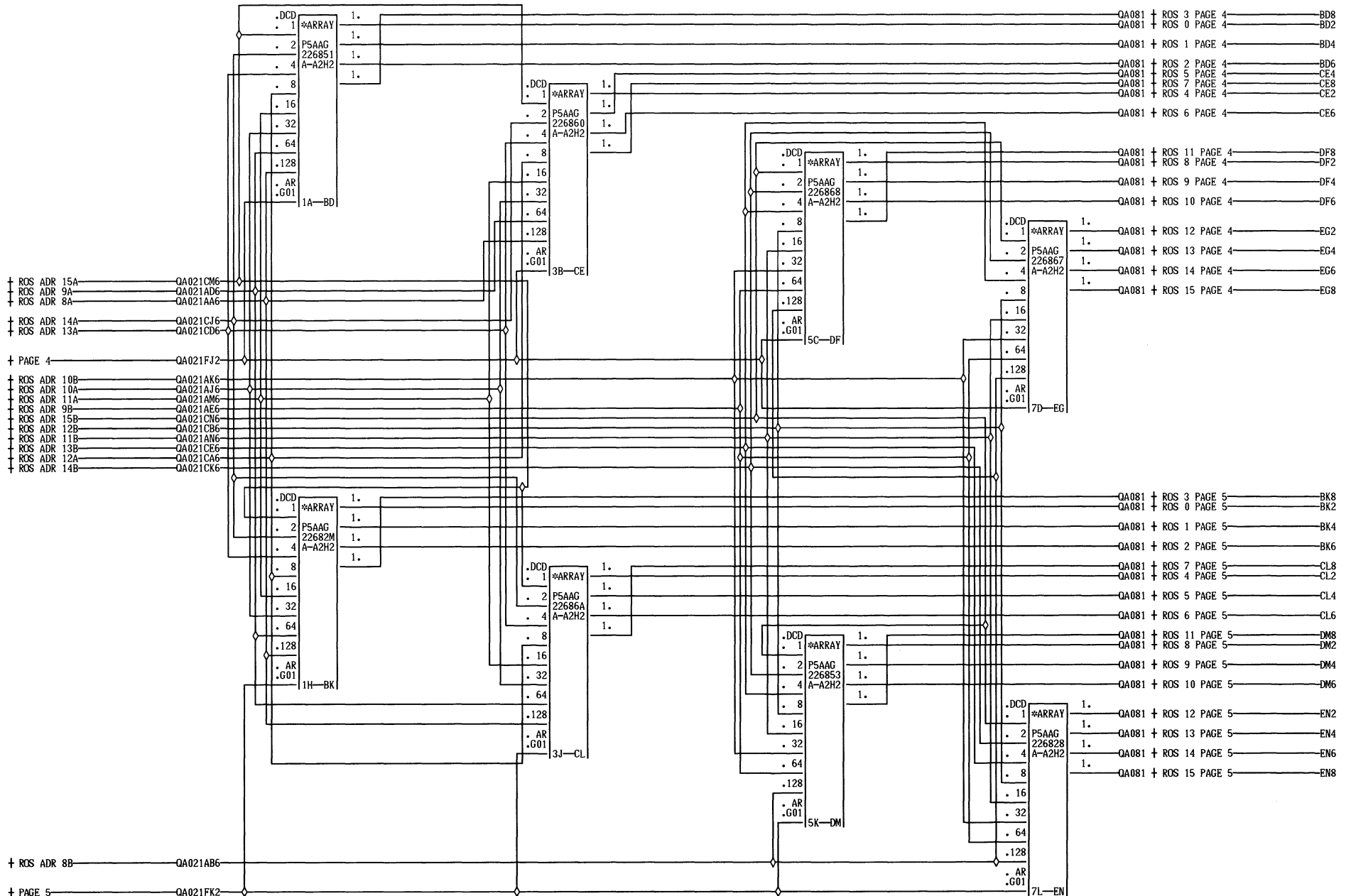


07-17-73 734098

Q
A
0
4
1
000

ROS DECODE PAGE 2+3			
DATE	08-18-81	MACH.	3803-2
LOG	0016	FRAME	01
		P.N.	2736417
IBM CORP.		BLK.	EP

Q
A
0
4
1
000

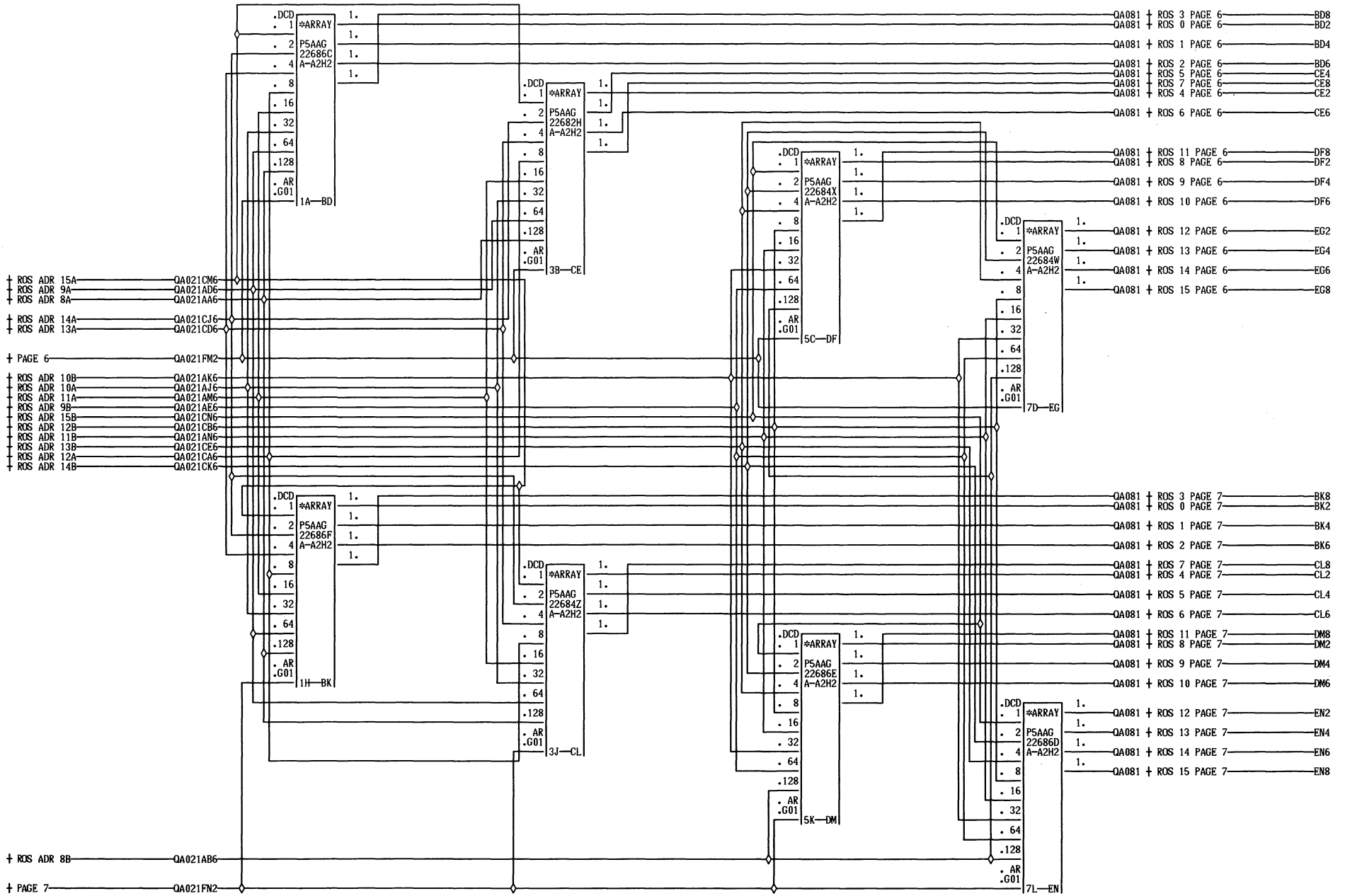


07-17-73 734098

QA051
000

ROS DECODE PAGE 4+5			
DATE	08-18-81	MACH.	3803-2
LOC	0016	FRAME	01
		P.N.	2736418
IBM CORP.	BLK.	EP	

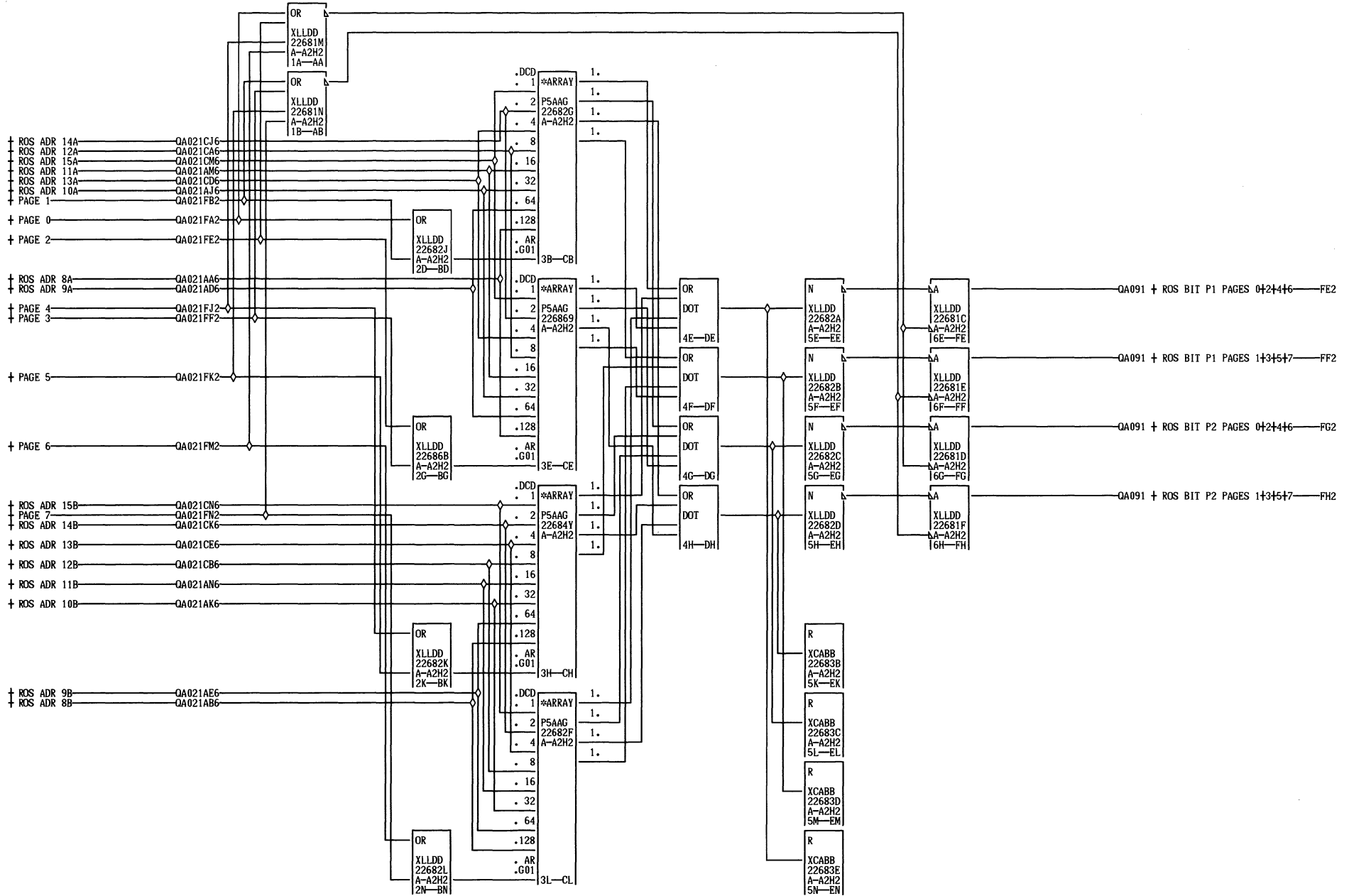
QA051
000



07-17-73 734098

ROS DECODE PAGE 6+7			
DATE	08-18-81	MACH.	3803-2
LOG	0016	FRAME	01
		P.N.	2736419
IBM CORP.	BLK.	EP	000

Q
A
0
5
5
000

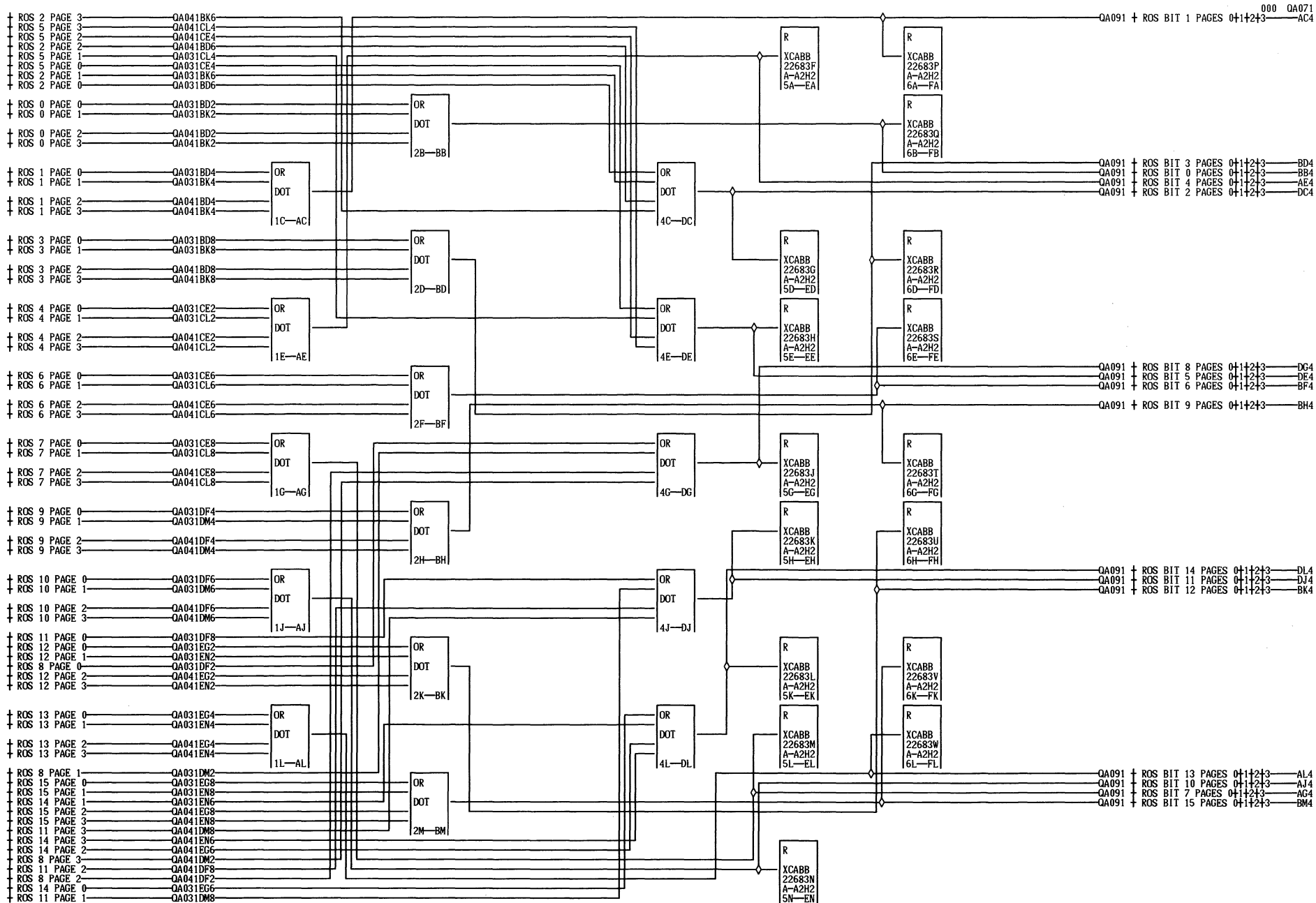


07-17-73 734098

ROS DECODE P-BITS			
DATE	08-18-81	MACH.	3803-2
LOG	0016	FRAME	01
		P.N.	2736420
IBM CORP.	BOL BLK.		GN

QA061
000

QA061
000



07-17-73 734098

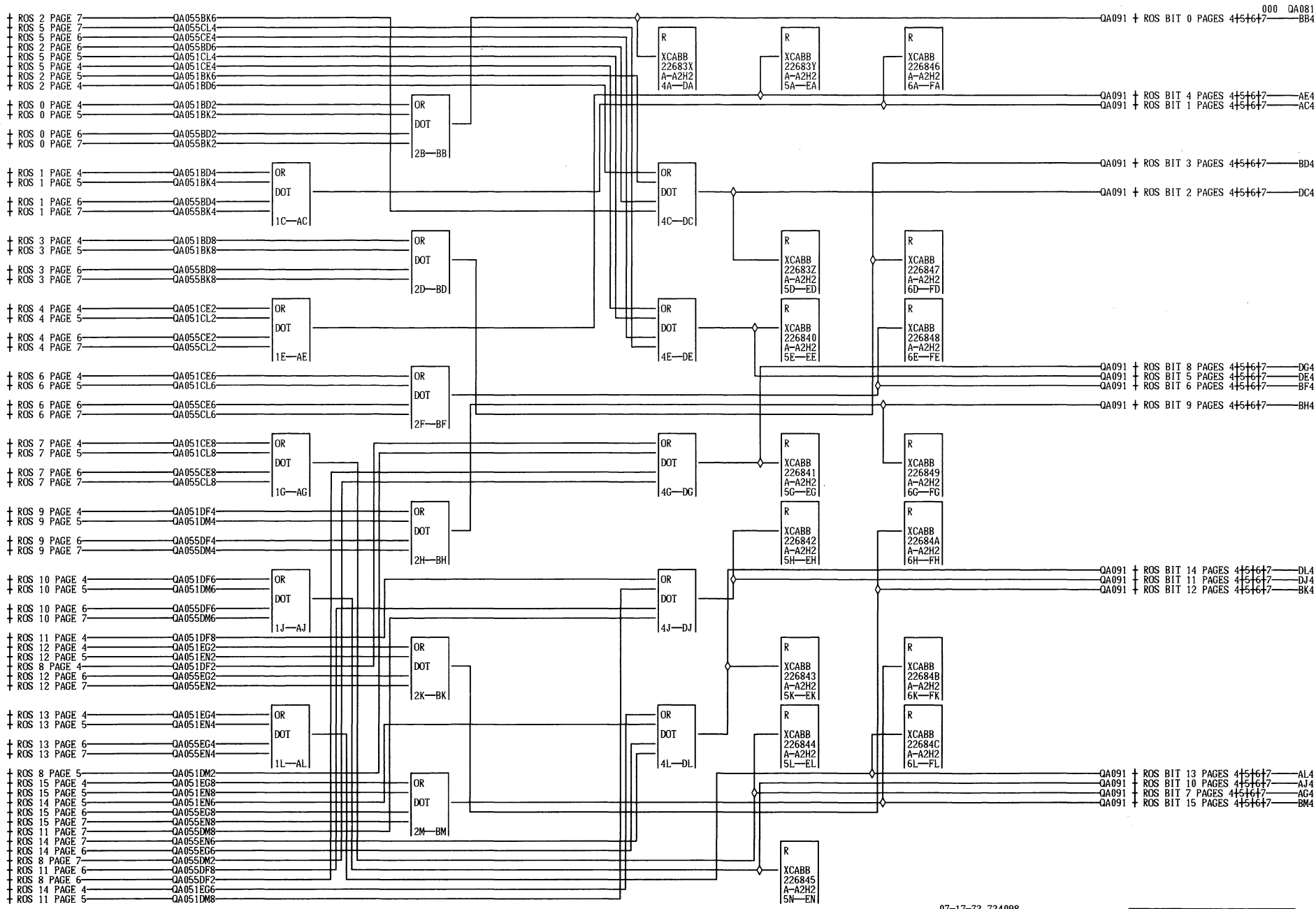
Q
A
0
7
1

000

ROS DOTTING			
DATE	08-18-81	MACH.	3803-2
LOG	0016	FRAME	01
		P.N.	2736421
IBM CORP.	BOL BLK.		FM

Q
A
0
7
1

000



000 QA081

Q
A
0
8
1

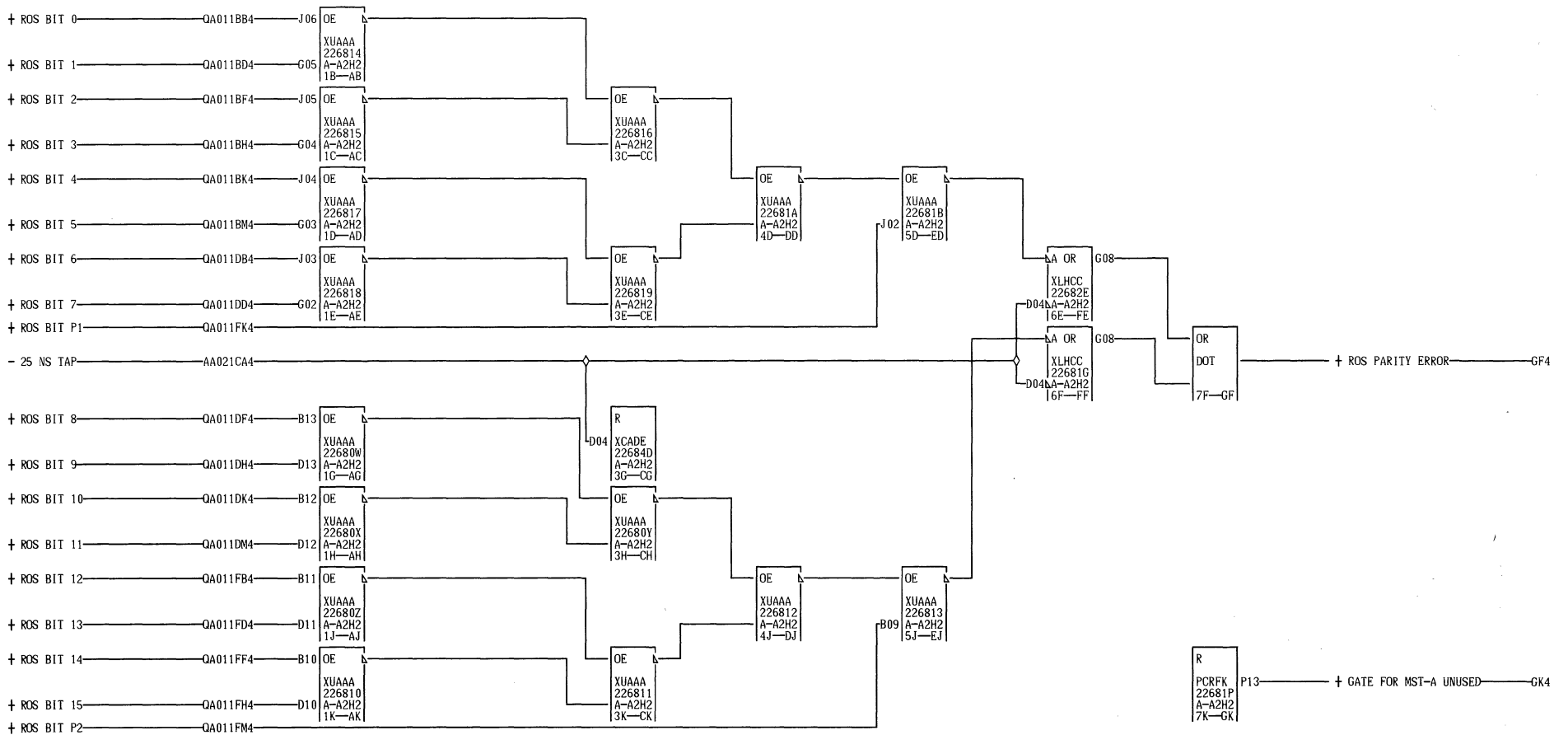
000

07-17-73 734098

ROS DOTTING			
DATE	08-18-81	MACH.	3803-2
LOC	0016	FRAME	01
		P.N.	2736422
IBM CORP.	BOL	BLK.	FM

Q
A
0
8
1

000

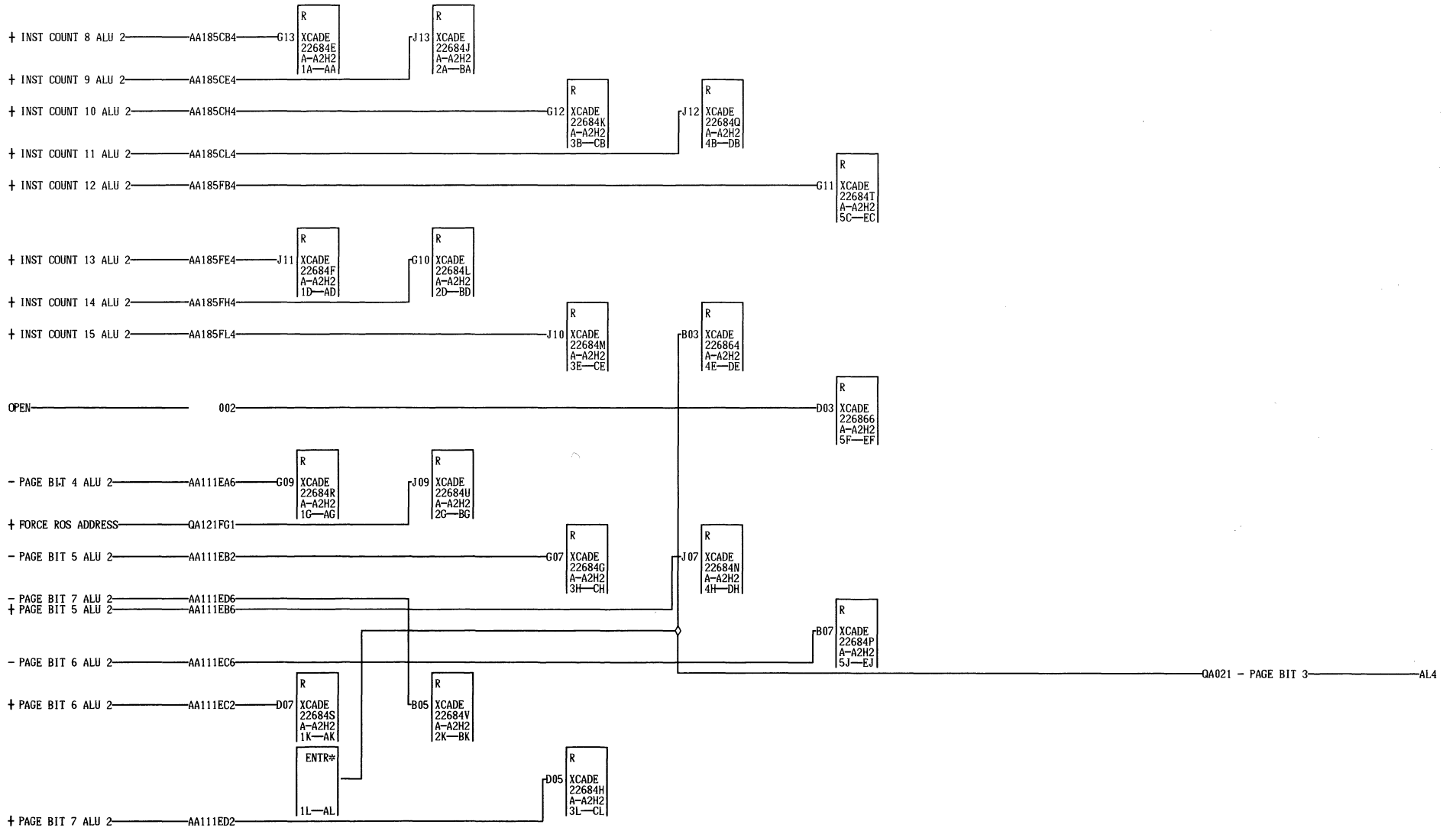


QA101
000

07-17-73 734098

ROS ERROR			
DATE	08-18-81	MACH.	3803-2
LOG	0016	FRAME	01
		P.N.	2736424
IBM CORP.	BOL	BLK.	GL

QA101
000

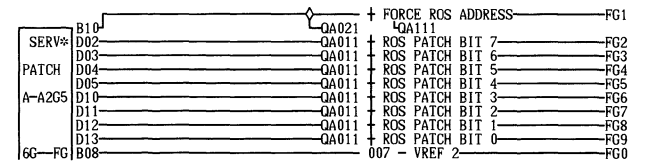
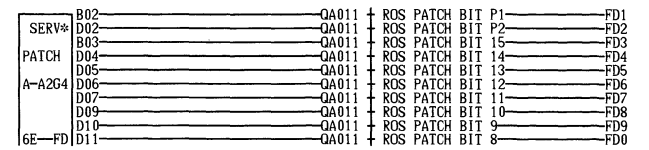
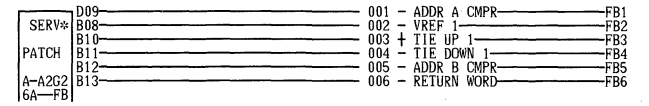
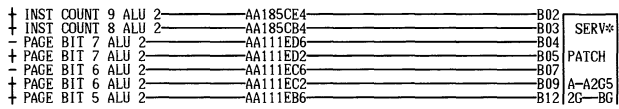
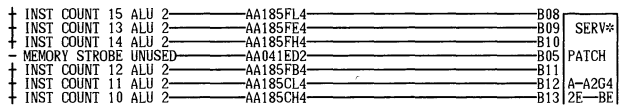
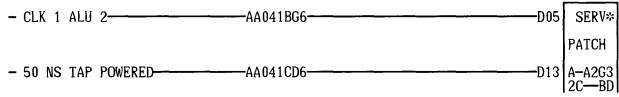
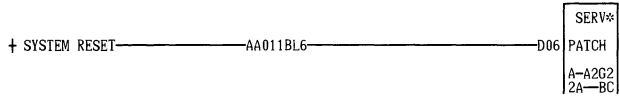


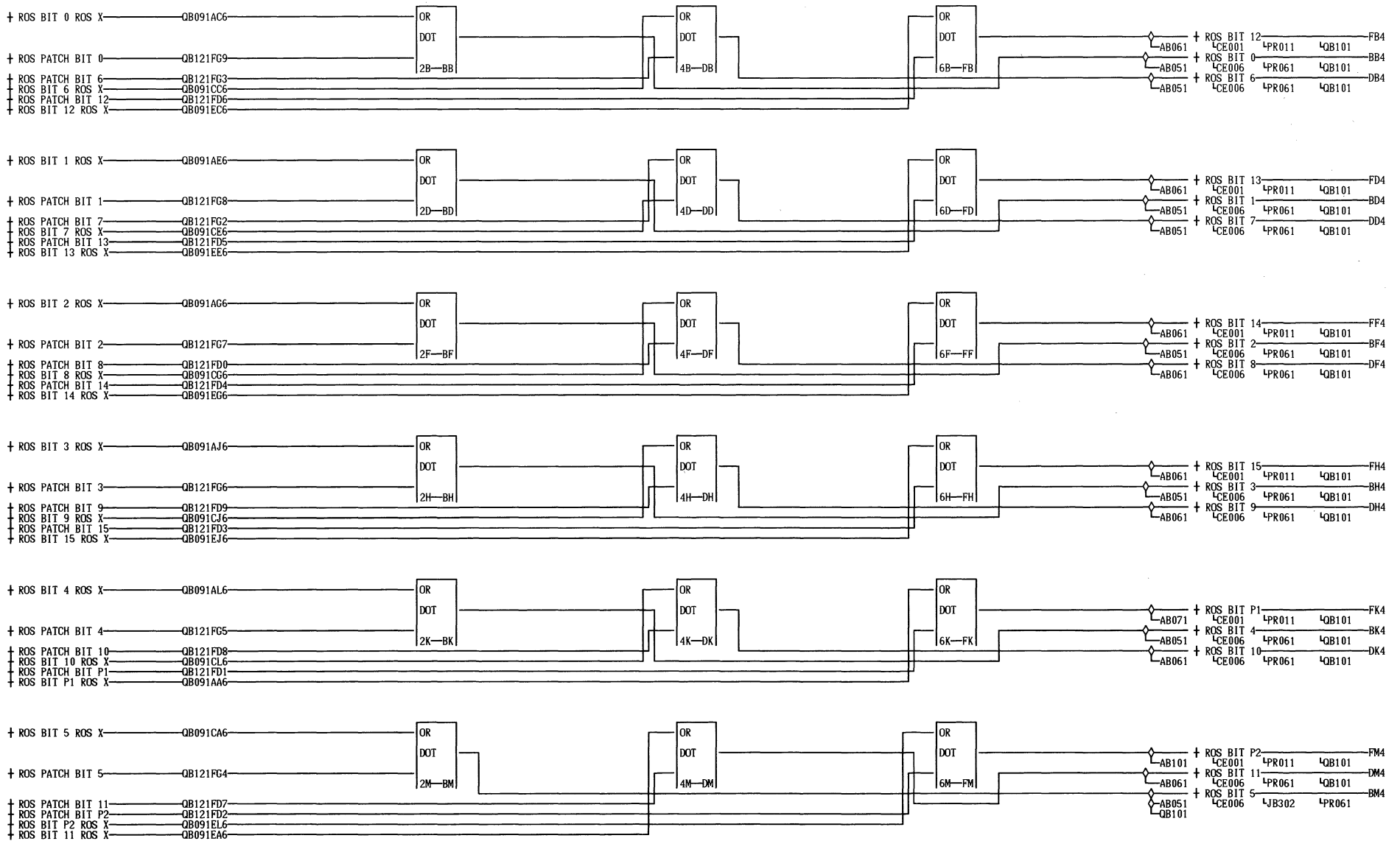
07-17-73 734098

Q
A
1
1
1
000

ROS DRIVE TERMINATION			
DATE	08-18-81	MACH.	3803-2
LOG	0016	FRAME	01
		P.N.	2736425
IBM CORP.	BOL BLK.		EM

Q
A
1
1
1
000



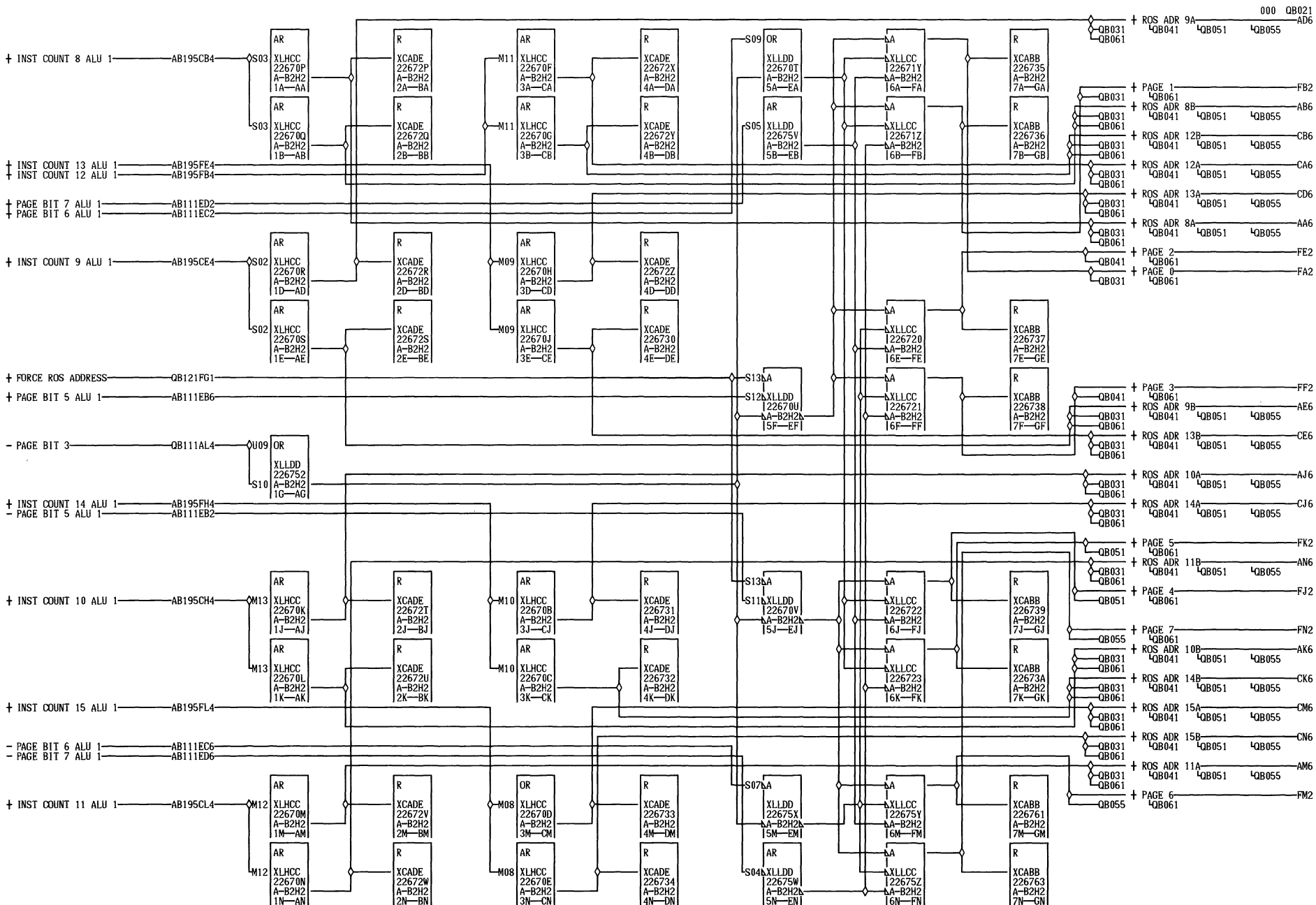


07-17-73 734098

Q
B
0
1
1
000

ALU 1 ROS BITS			
DATE	08-18-81	MACH.	3803-2
LOG	0016	FRAME	01
		P.N.	2736427
IBM CORP.	SDD	BLK.	FN

Q
B
0
1
1
000

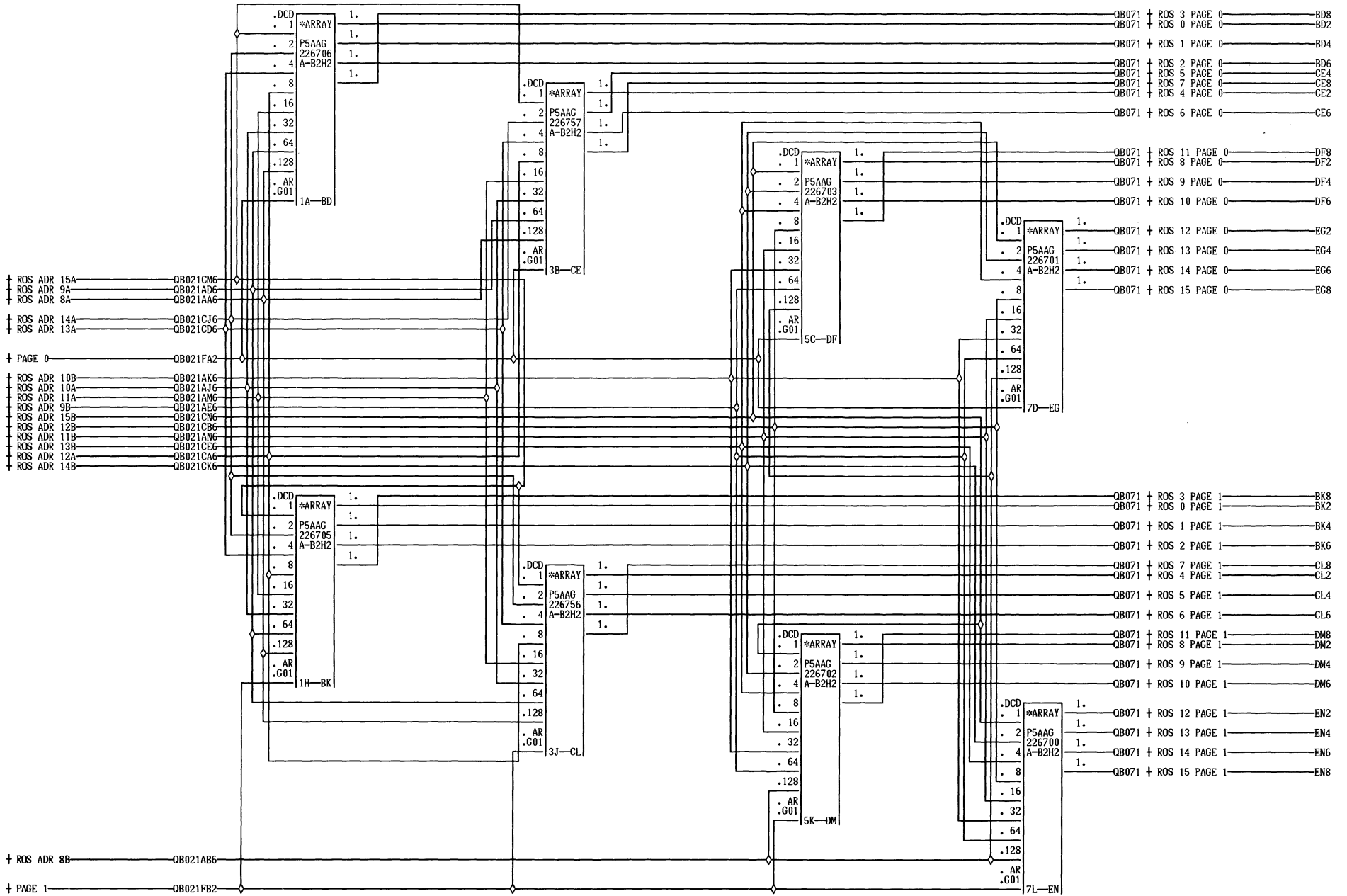


07-17-73 734098

POWERING ROS ADR			
DATE	08-18-81	MACH.	3803-2
LOC	0016	FRAME	01
		P.N.	2736428
IBM CORP.		BLK.	GP

0
8
0
2
1
000

0
8
0
2
1
000



07-17-73 734098

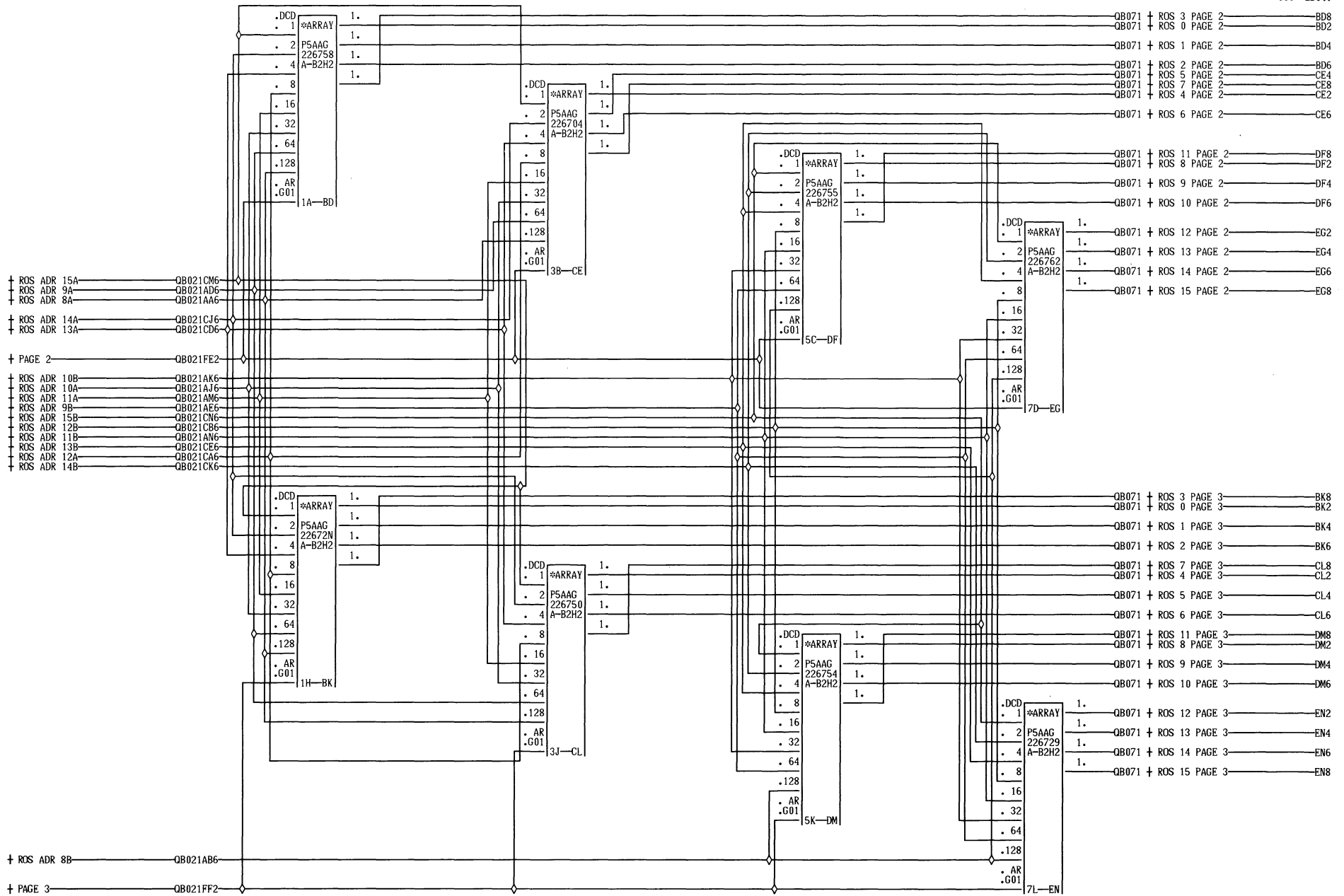
Q
B
0
3
1

000

ROS DECODE PAGE 0+1			
DATE	08-18-81	MACH.	3803-2
LOG	0016	FRAME	01
		P.N.	2736429
IBM CORP.		BLK.	EP

Q
B
0
3
1

000

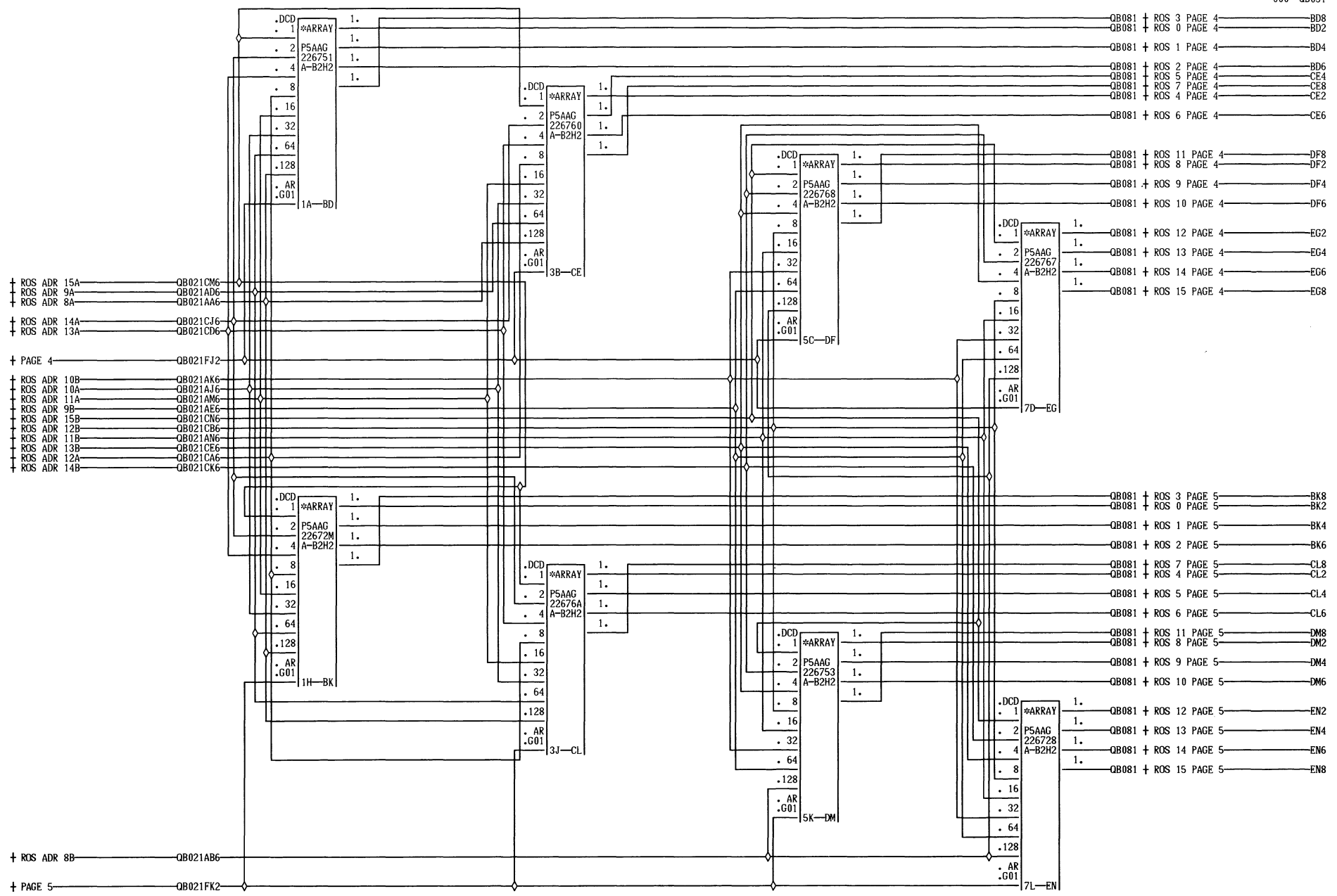


07-17-73 734098

Q
B
0
4
1
000

ROS DECODE PAGE 2+3			
DATE	08-18-81	MACH.	3803-2
LOG	0016	FRAME	01
		P.N.	2736430
IBM CORP.		BLK.	EP

Q
B
0
4
1
000

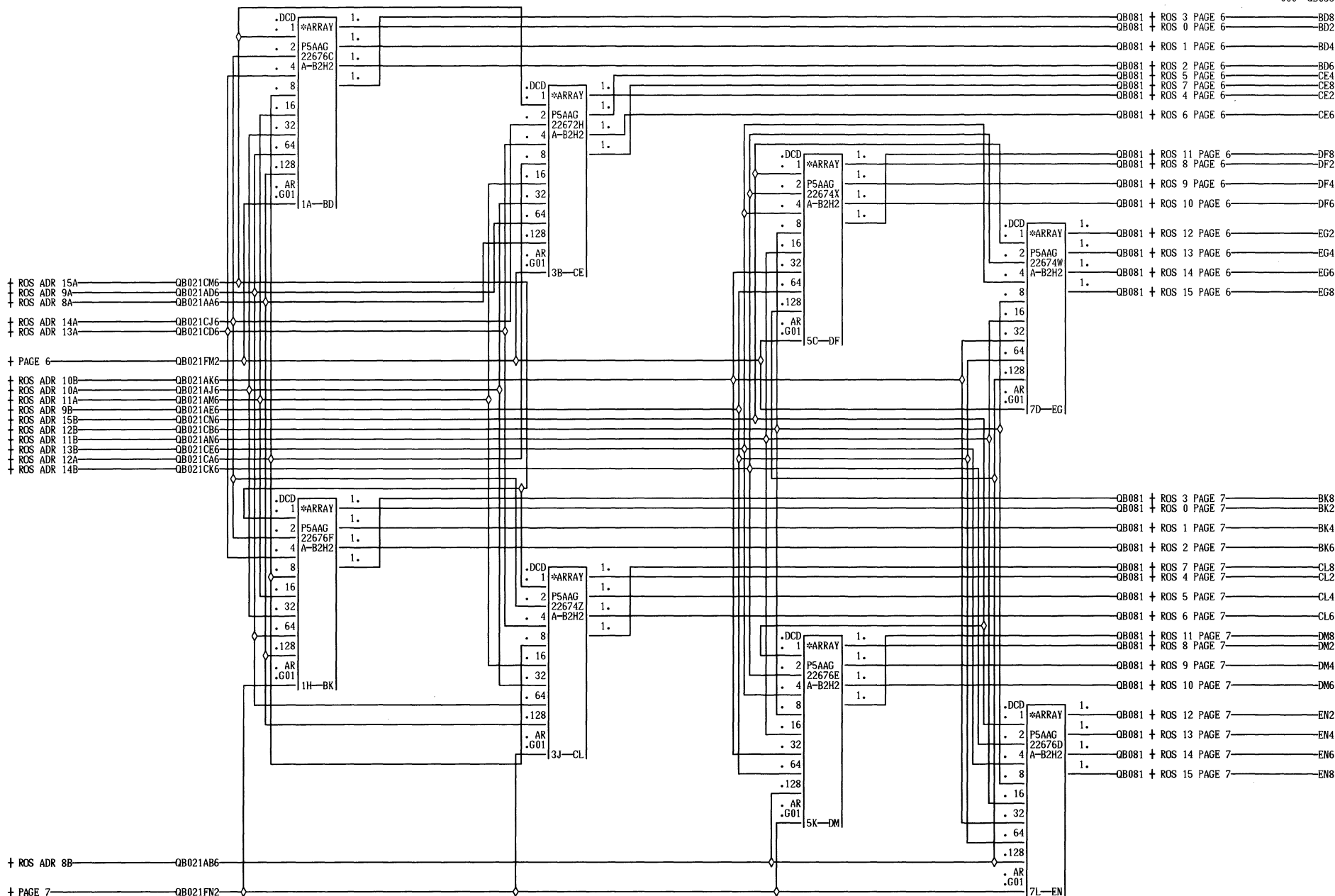


07-17-73 734098

Q
B
O
S
1
000

ROS DECODE PAGE 4+5			
DATE	08-18-81	MACH.	3803-2
LOG	0016	FRAME	01
		P.N.	2736431
IBM CORP.	BLK.		EP

Q
B
O
S
1
000

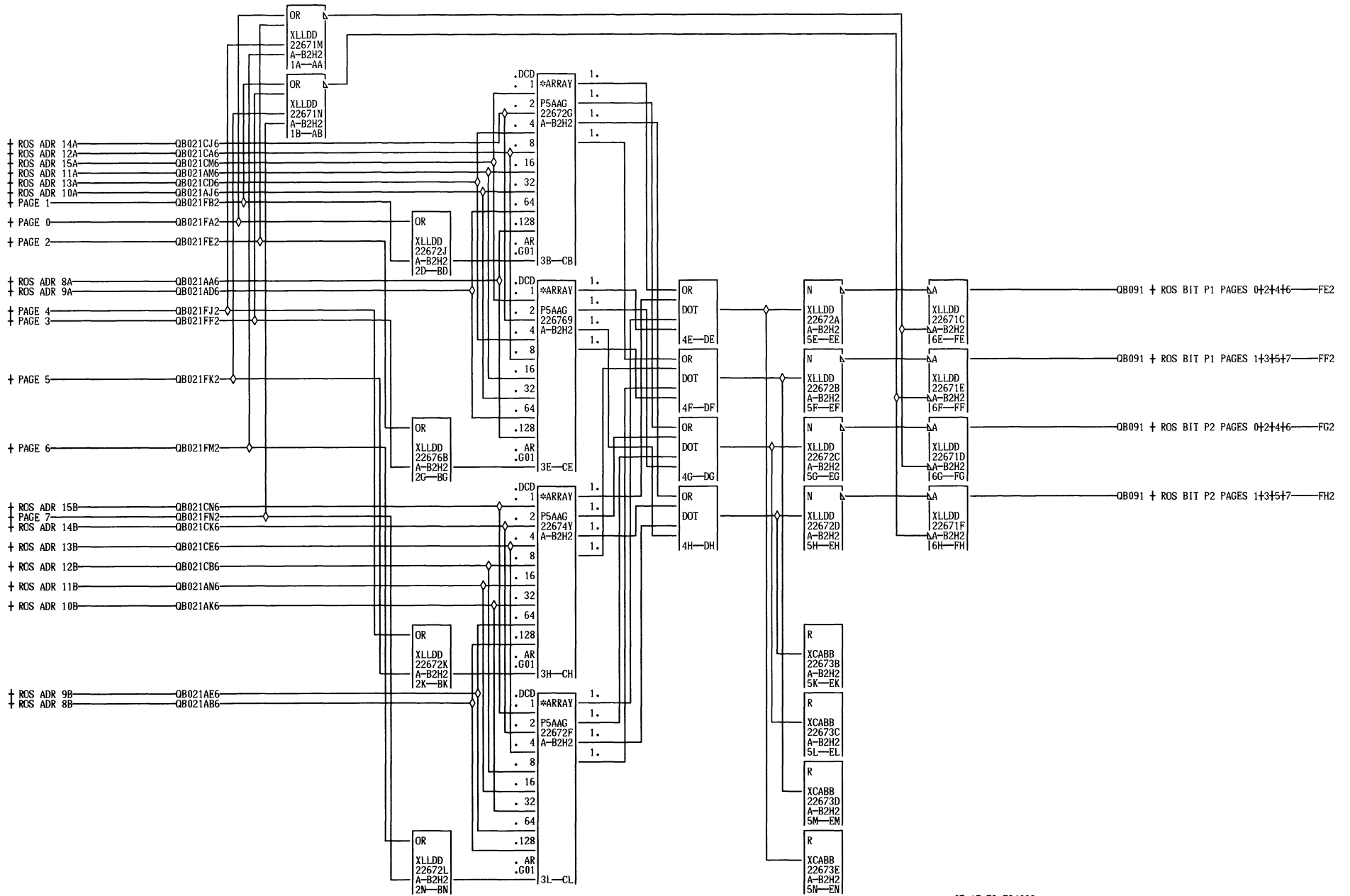


07-17-73 734098

ROS DECODE PAGE 6+7			
DATE	08-18-81	MACH.	3803-2
LOG	0016	FRAME	01
		P.N.	2736432
IBM CORP.	BLK.		EP

Q
B
0
5
5
000

Q
B
0
5
5
000

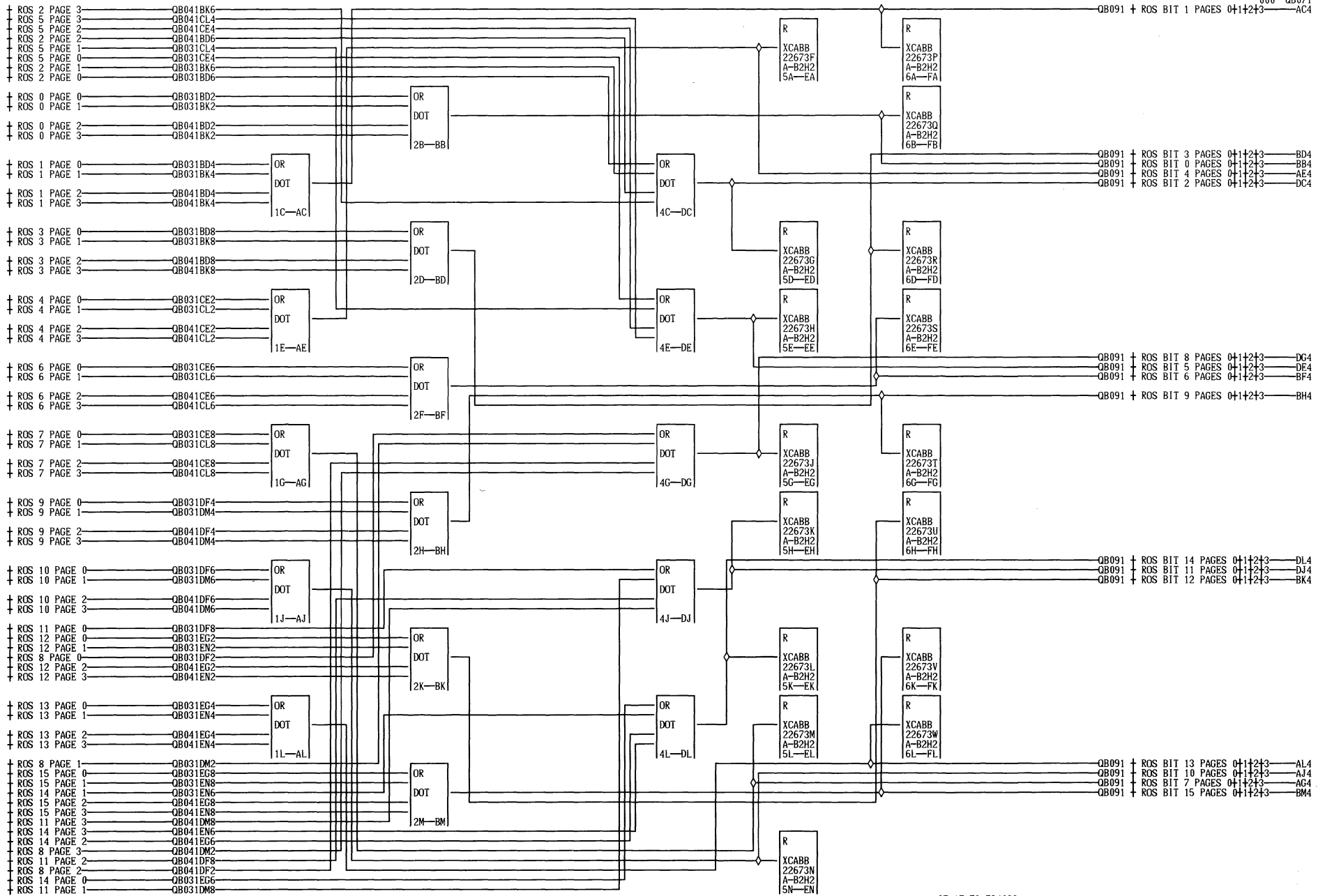


07-17-73 734098

ROS DECODE P-BITS			
DATE	08-18-81	MACH.	3803-2
LOG	0016	FRAME	01
		P.N.	2736433
IBM CORP.	BOL BLK.		GN

Q
B
0
6
1
000

Q
B
0
6
1
000

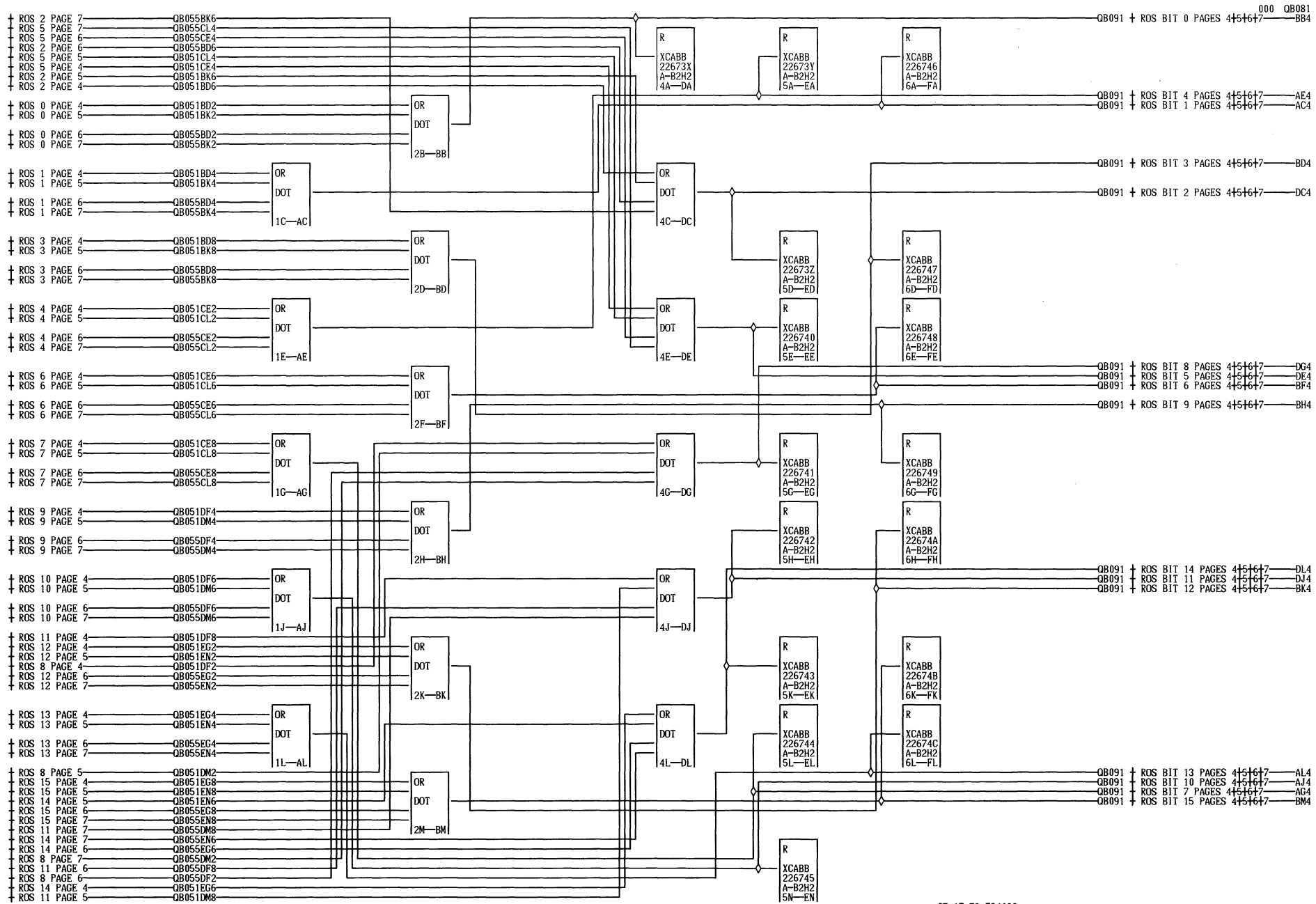


0
8
0
7
1
000

07-17-73 734098

ROS DOTTING			
DATE	08-18-81	MACH.	3803-2
LOG	0016	FRAME	01
		P.N.	2736434
IBM CORP.	BOL	BLK.	FM

0
8
0
7
1
000



07-17-73 734098

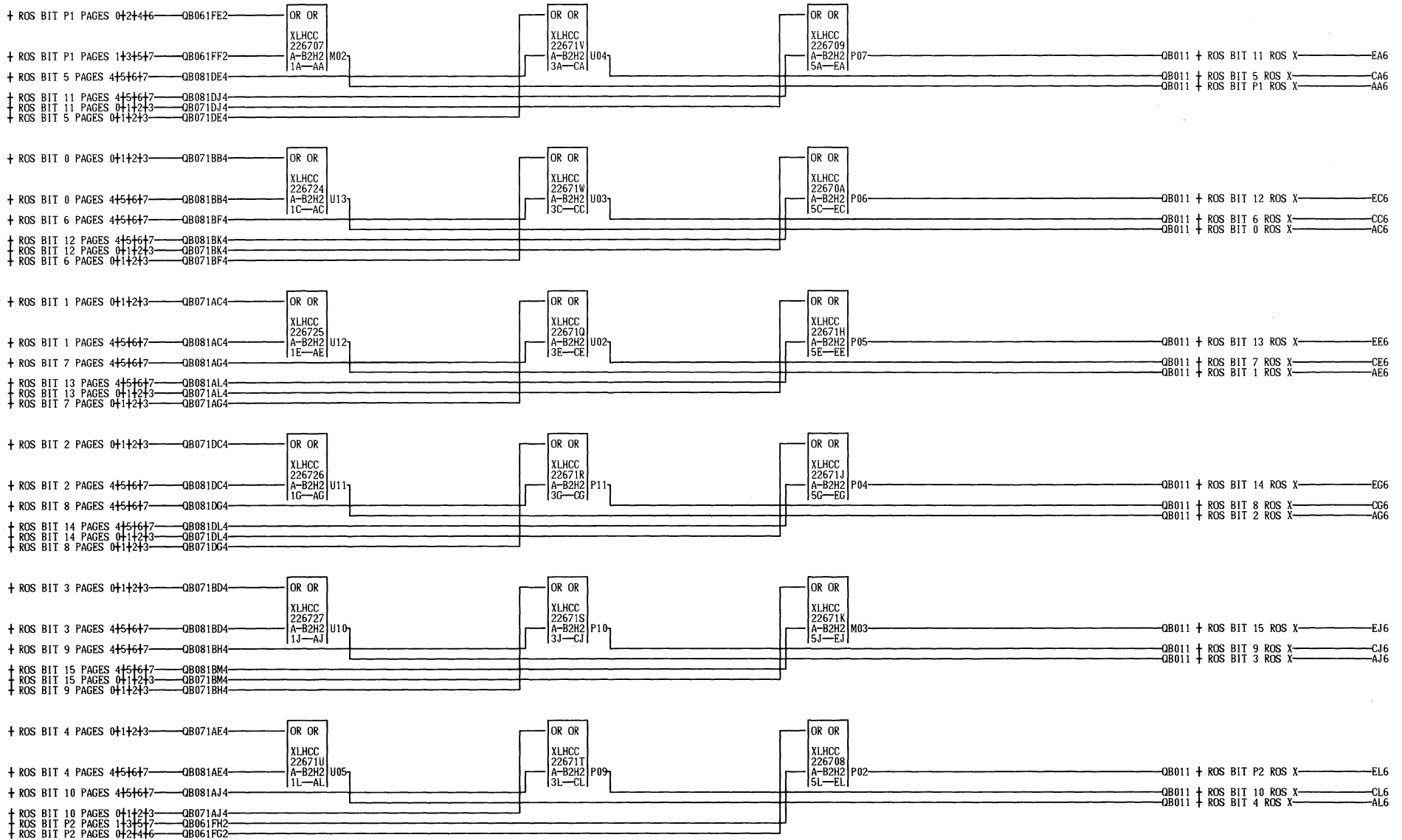
Q
B
0
8
1

000

ROS DOTTING			
DATE	08-18-81	MACH.	3803-2
LOG	0016	FRAME	01
		P.N.	2736435
IBM CORP.	BOL BLK.		FM

Q
B
0
8
1

000



07-17-73 734098

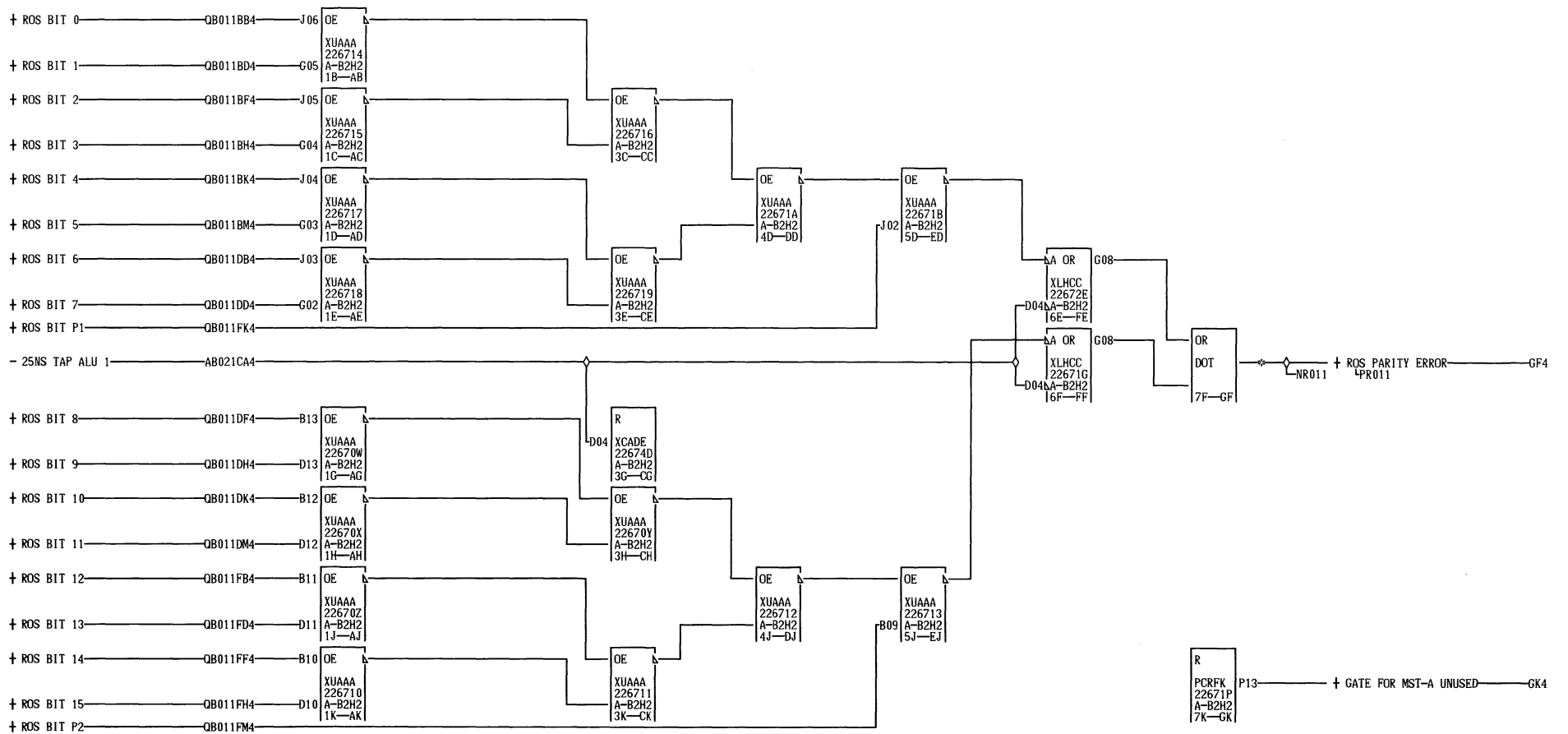
0
0
9
1

000

ROS POWERING			
DATE	08-18-81	MACH.	3803-2
LOG	0016	FRAME	01
		P.N.	2736436
IBM CORP.	BOL BLK.		EM

0
0
9
1

000



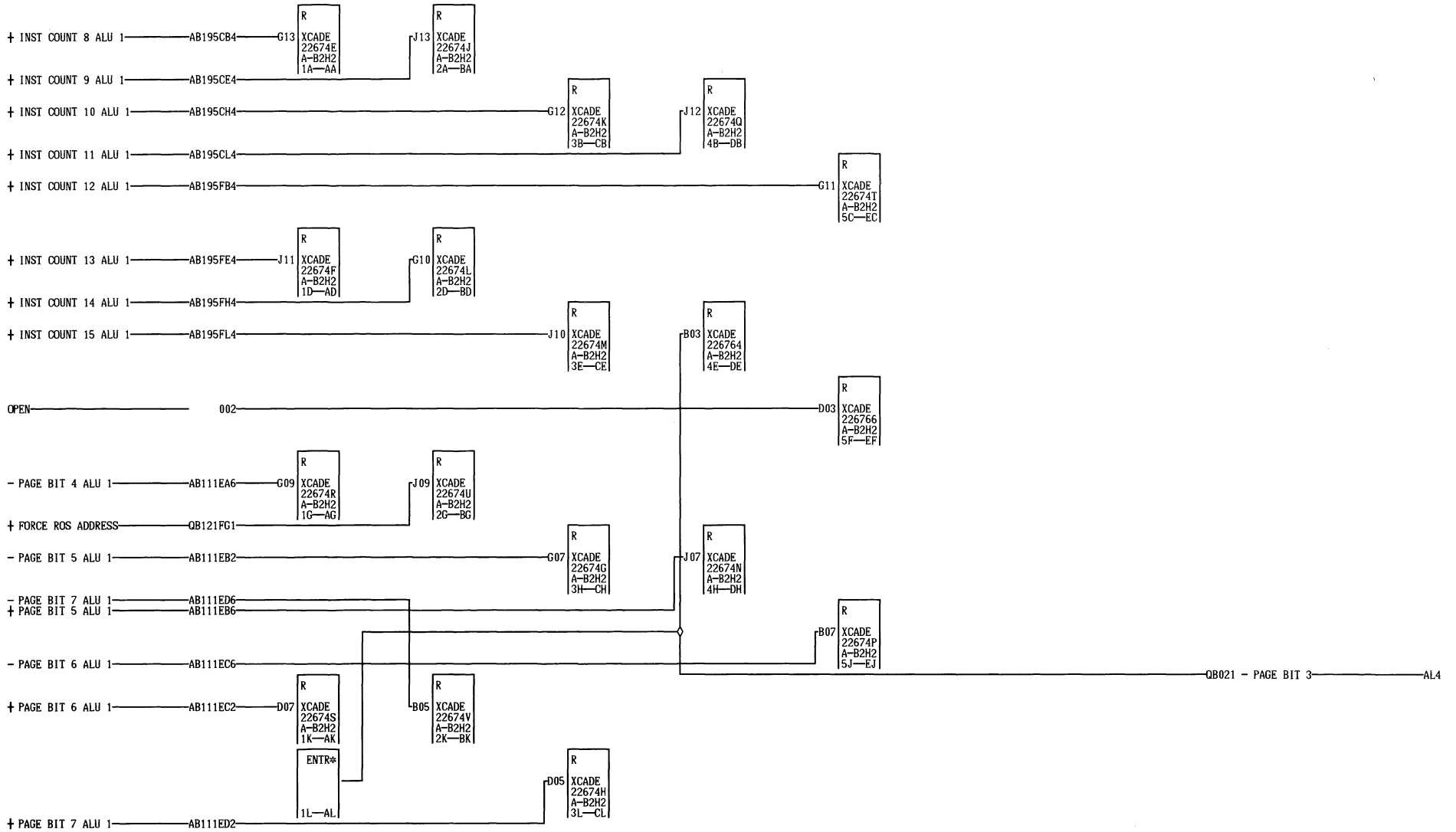
GF4 A-B2B2B09
01A-A2U2B09

07-17-73 734098

Q
B
1
0
1
000

ROS ERROR			
DATE	08-18-81	MACH.	3803-2
LOG	0016	FRAME	01
		P.N.	2736437
IBM CORP.	BOL	BLK.	GL

Q
B
1
0
1
000

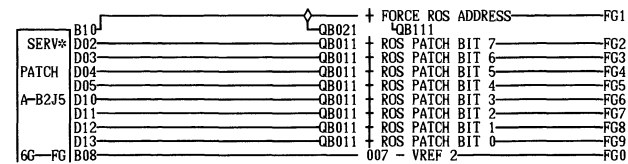
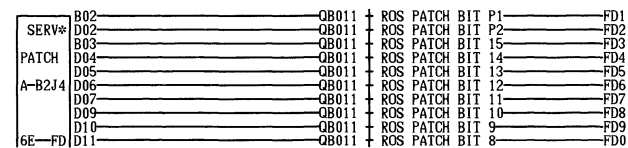
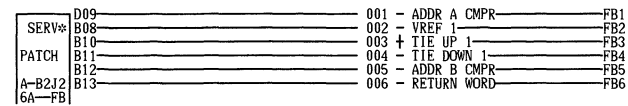
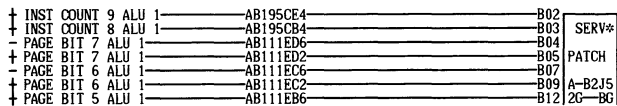
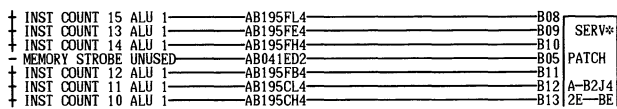
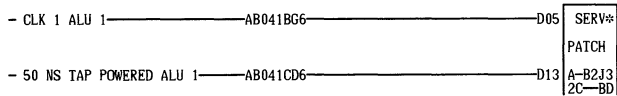
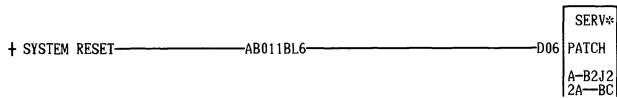


Q
B
1
1
1
000

07-17-73 734098

ROS DRIVE TERMINATION			
DATE	08-18-81	MACH.	3803-2
LOG	0016	FRAME	01
		P.N.	2736438
IBM CORP.	BOL BLK.		EM

Q
B
1
1
1
000

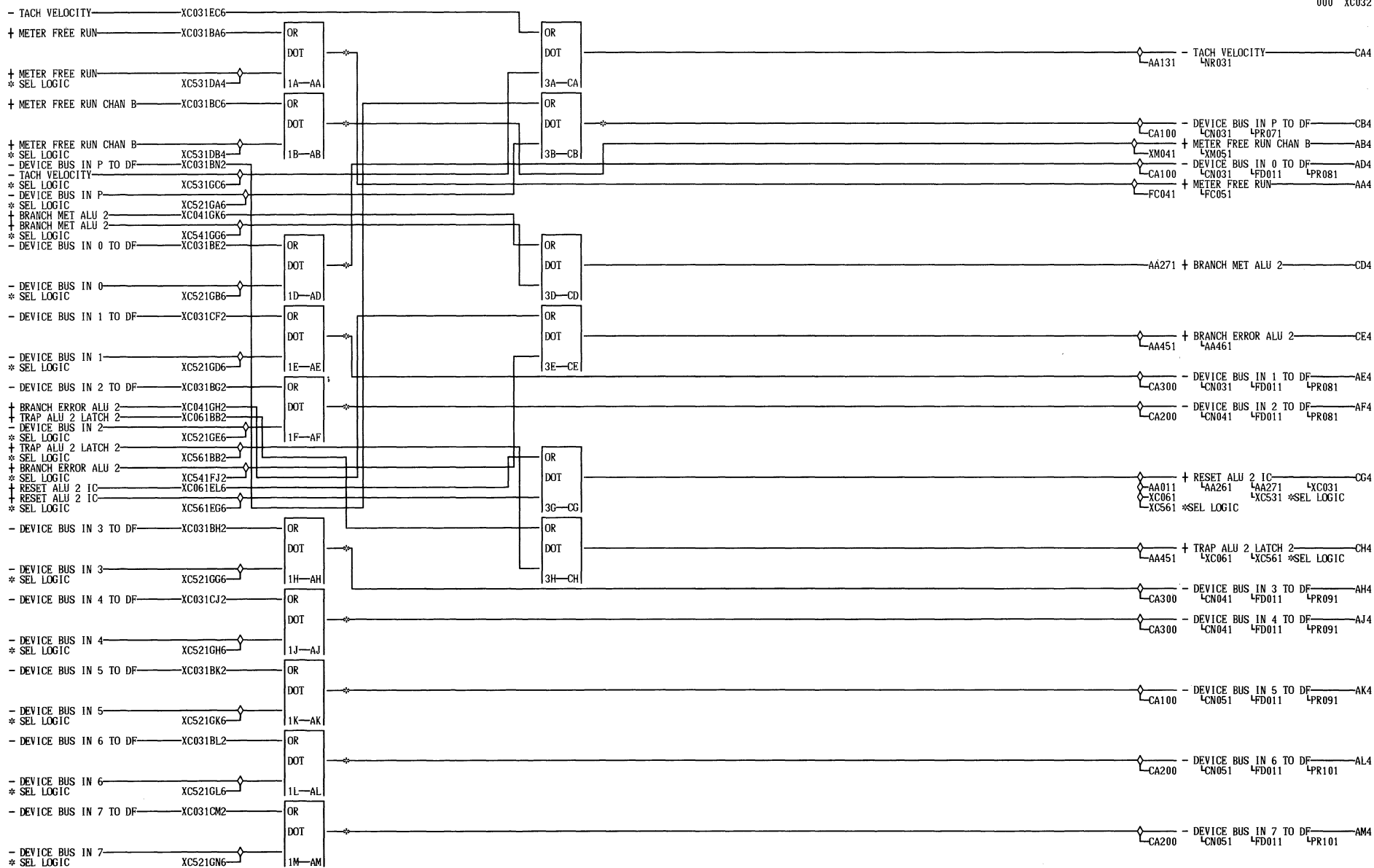


Q
B
1
2
1
000

07-17-73 734098
07-16-80 846627

ARRAY PATCH CARD WIRING			
ALU 1			
DATE	08-18-81	MACH.	3803-2
LOG	1002	FRAME	01
		P.N.	2736439
IBM CORP.	BLK.		FH

Q
B
1
2
1
000

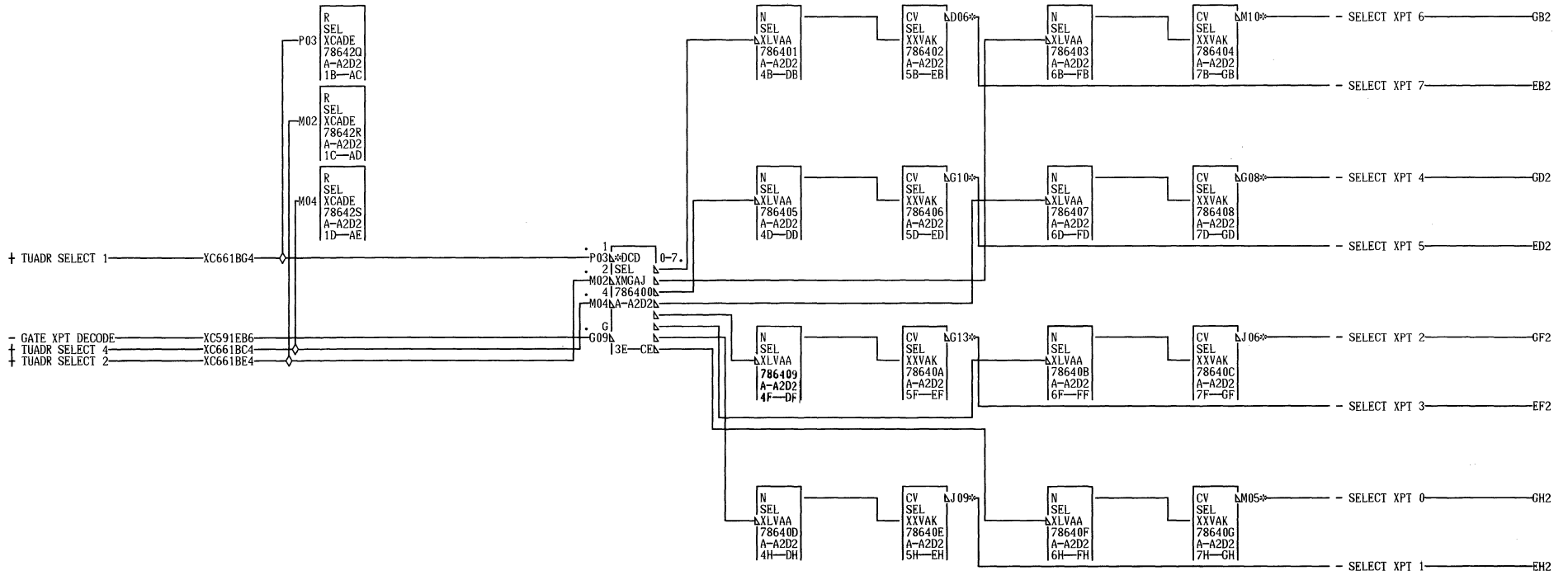


X
C
0
3
2
000

AA4 A-A2U2B04	01A-A1B6B02	01A-A1B5B08	01X-Y1V5B09	CB4 A-A2A1D11
01A-B2B2B04	01A-A1B5B05	01X-Y1V5B08	AL4 A-A2C1A11	01A-A1A6D02
AB4 A-A2U2B05	01X-Y1V5B05	AJ4 A-A1C6C02	01A-A1B5B10	01A-A1B5B02
01A-B2B2B05	AF4 A-A2B1C11	01A-A2C1C11	01A-A1C6A02	01X-Y1V5B02
AD4 A-A2A1E11	01A-A1B6C02	01A-A1B5B12	01X-Y1V5B10	
01A-A1A6E02	01A-A1B5B06	01X-Y1V5B12	AM4 A-A2C1E11	
01A-A1B5B04	01X-Y1V5B06	AK4 A-A2C1B11	01A-A1C6E02	
01X-Y1V5B04	AH4 A-A2B1D11	01A-A1B5B09	01A-A1B5B13	
AE4 A-A2B1B11	01A-A1B6D02	01A-A1C6B02	01X-Y1V5B13	

07-17-73 734098

DOT SEL. OR COM. INTERFACES			
DATE	08-18-81	MACH.	3803-2
LOG	0016	FRAME	01
		P.N.	2736443
IBM CORP.	BLK.		CJ

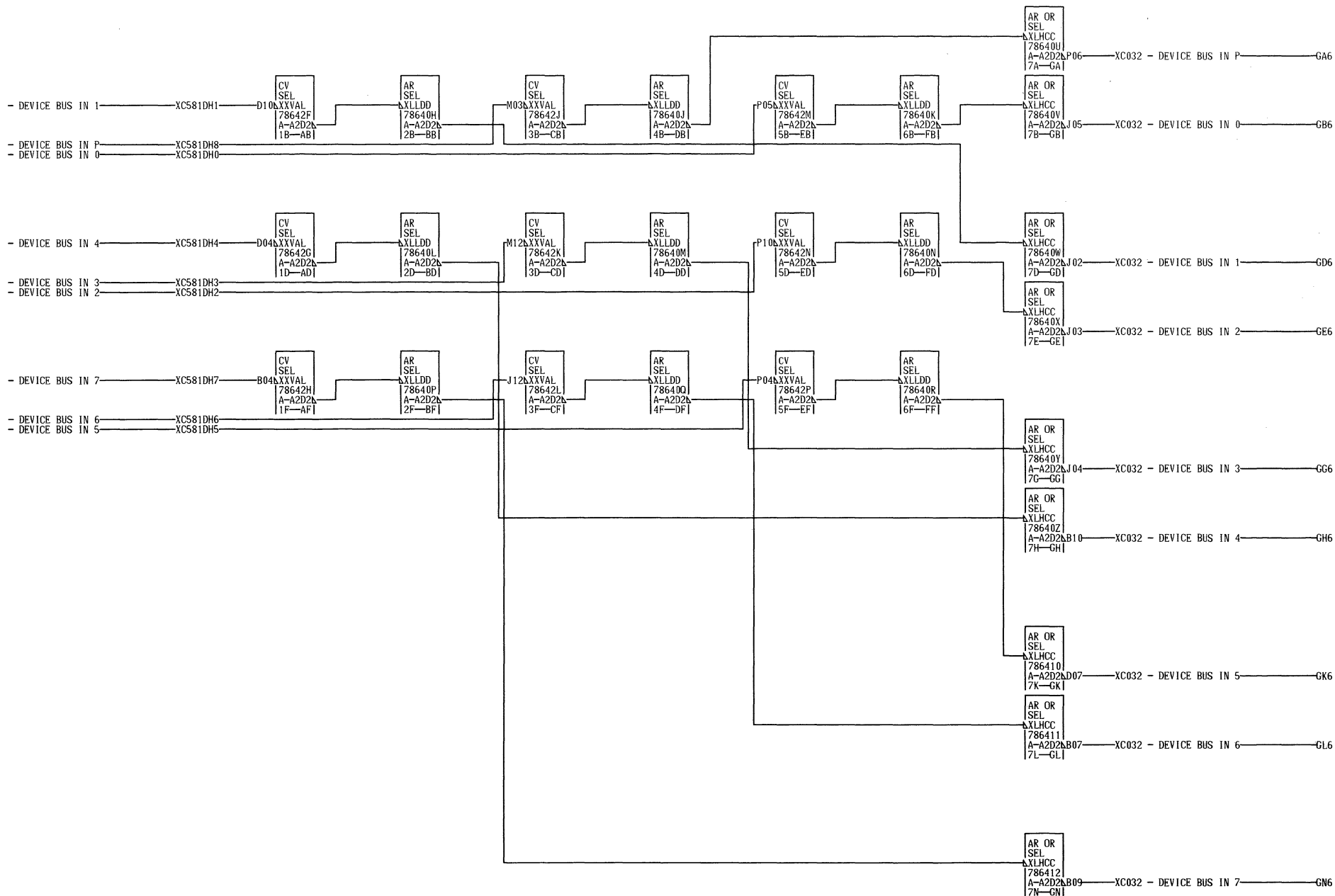


SELECTION LOGIC
X NOTE
C FOR OUTPUT LINE
5 CONNECTIONS REFER
1 TO XC700.
1
000

EB2 A-A2B4D09 01A-B3J1B13
01A-B3J1C11 GD2 A-A2B4B06
ED2 A-A2B4D07 01A-B3H1E13
01A-B3J1A11 CF2 A-A2B4B04
EF2 A-A2B4D05 01A-B3H1C13
01A-B3H1D11 GH2 A-A2B4B02
EH2 A-A2B4D03 01A-B3H1A13
01A-B3H1B11
GB2 A-A2B4B08

07-17-73 734098

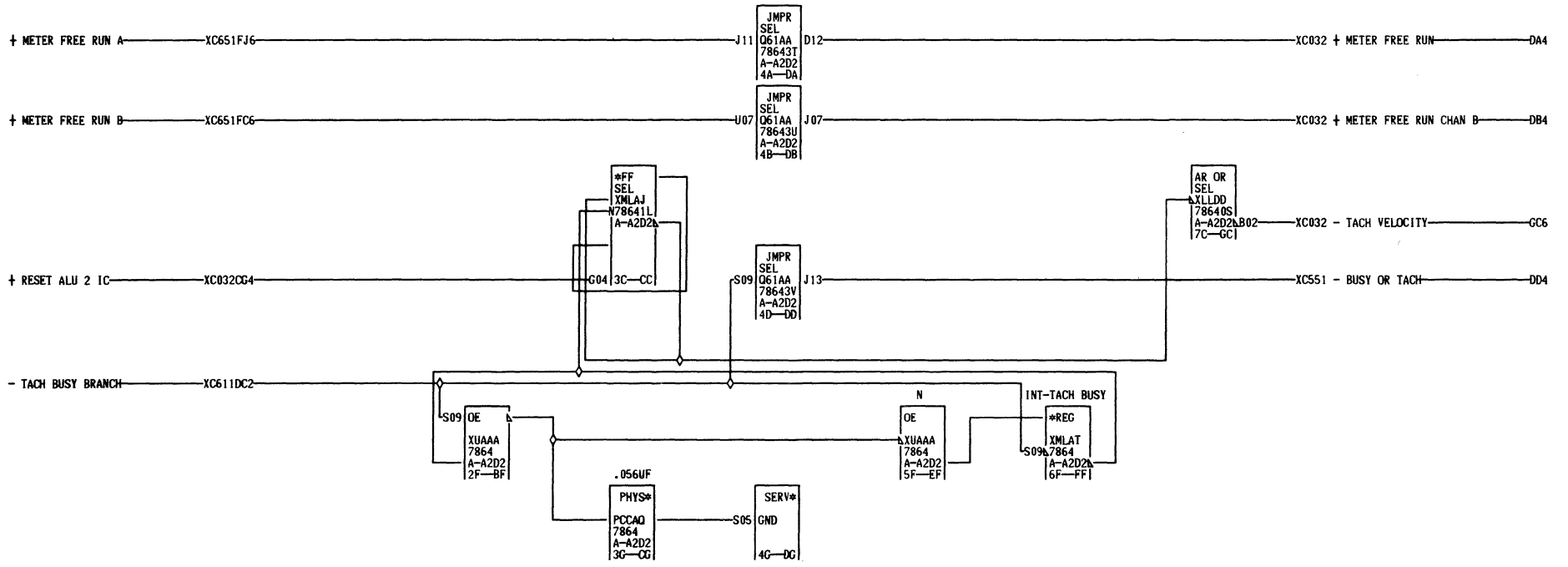
XPOINT SELECT DECODE			
DATE	08-18-81	MACH.	3803-2
LOG	0016	FRAME	01
		P.N.	2736455
IBM CORP.	BLK.		GJ



07-17-73 734098

SELECTION LOGIC ONLY
XC521

DEVICE INTERFACE RECEIVERS			X
DATE	08-18-81	MACH. 3803-2	C
LOG	0016	FRAME 01	5
		P.N. 2736456	2
IBM CORP.	BLK.	GP	1
			000

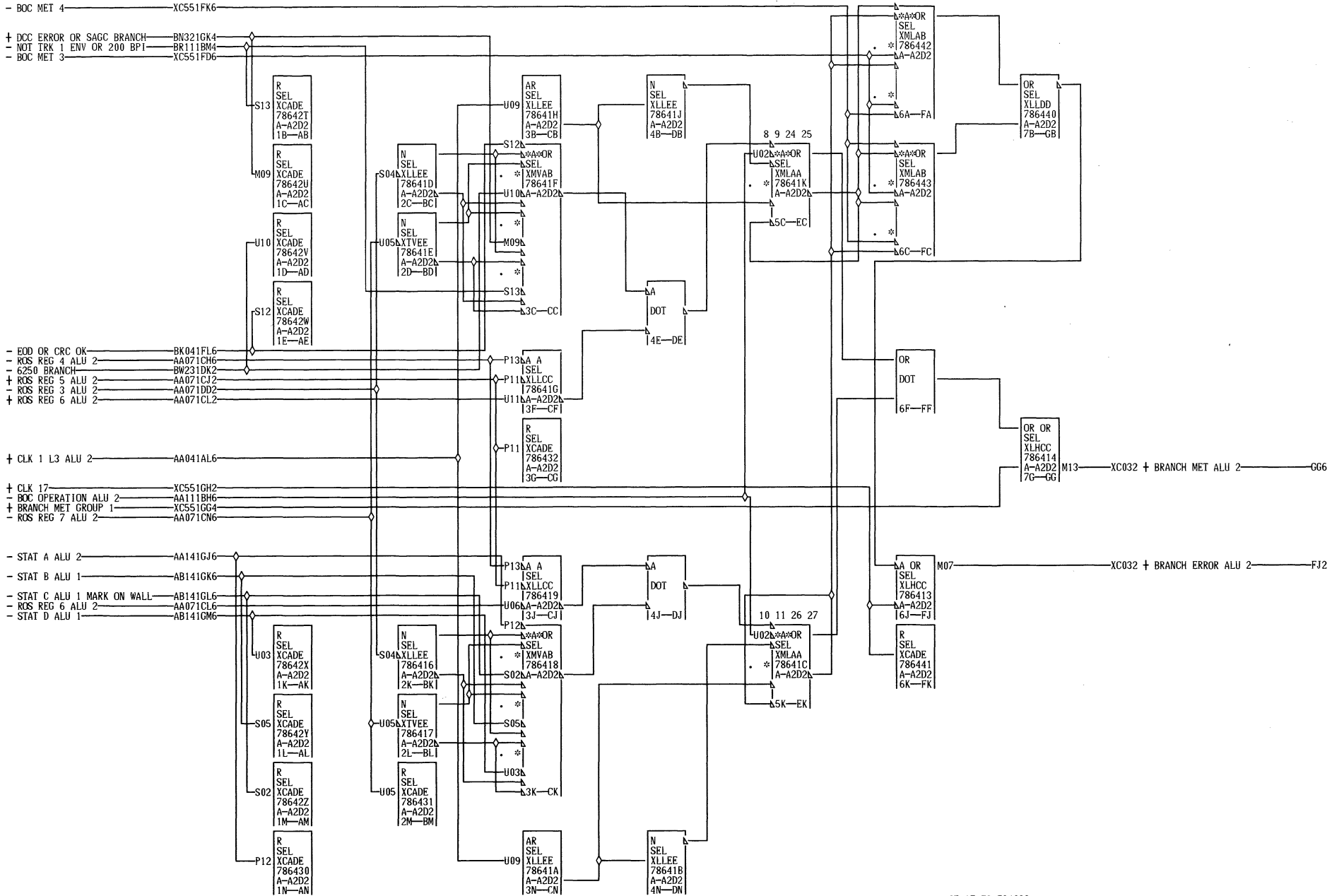


SELECTION LOGIC
X
C
S
3
1
000

07-17-73 734098
05-11-82 847221

METER			
DATE	09-01-82	MACH.	3803-2
LOG	2067	FRAME	01
		P.N.	2736457
IBM CORP.	BLK.	GD	

X
C
S
3
1
000



SELECTION LOGIC
ONLY

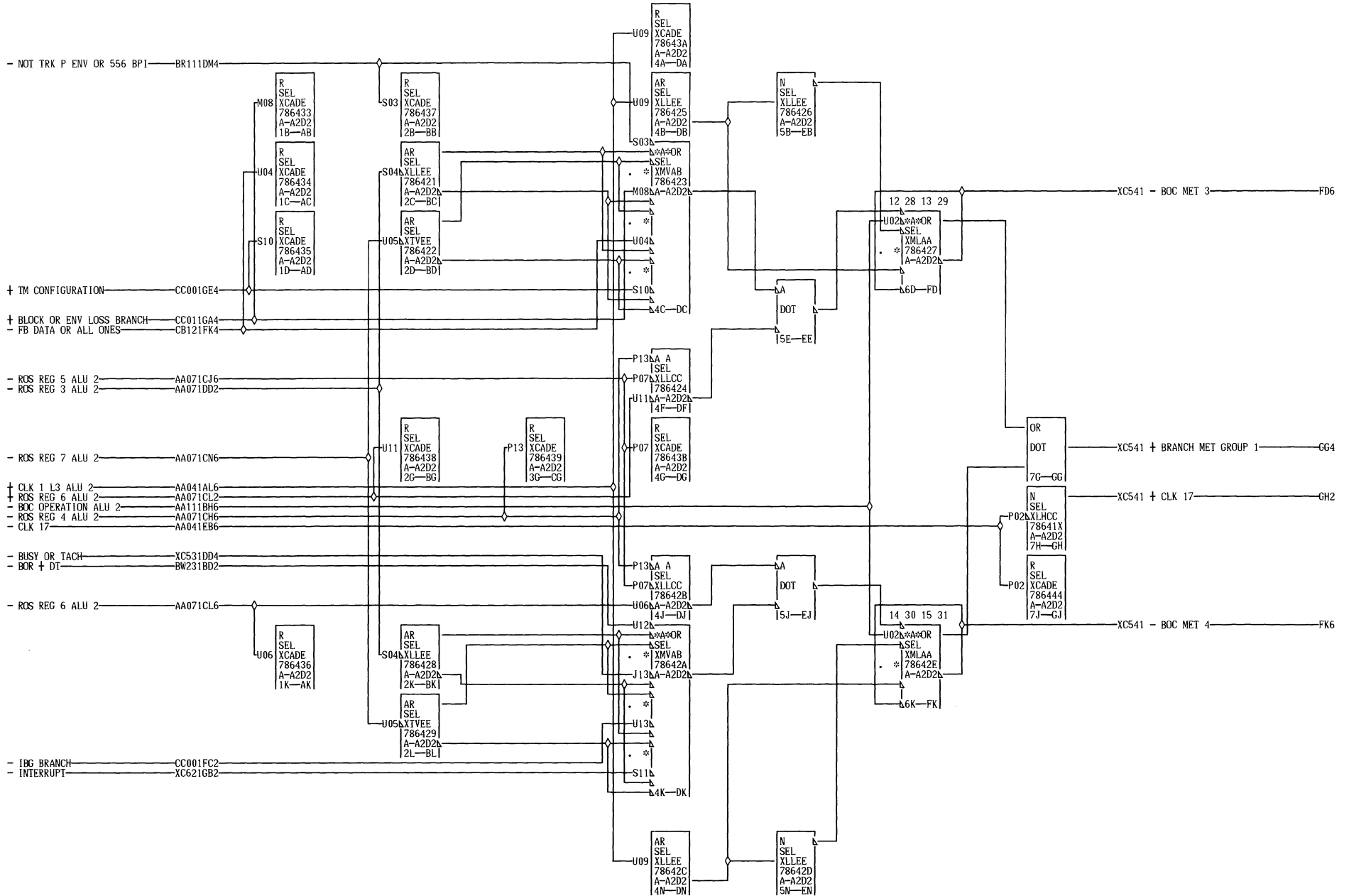
X
C
5
4
1

000

07-17-73 734098

BRANCH MET ALU 2			
DATE	08-18-81	MACH.	3803-2
LOG	0016	FRAME	01
		P.N.	2736458
IBM CORP.		BLK.	GJ

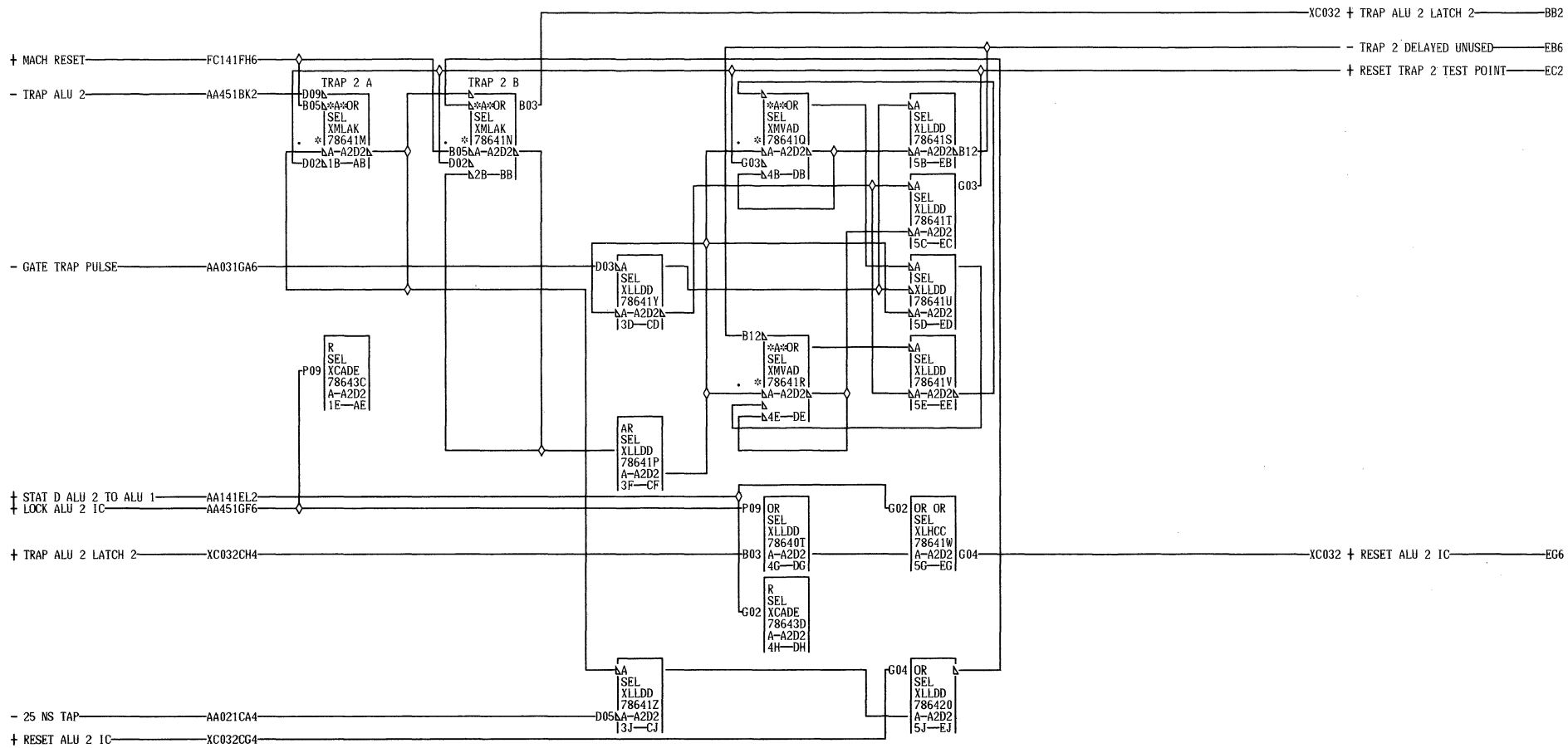
X
C
5
4
1
000



SELECTION LOGIC ONLY
XC551

07-17-73 734098
02-22-79 846276

BRANCH MET GROUP 1		
DATE	08-18-81 MACH. 3803-2	X
LOG	1836 FRAME 01	C
	P.N. 2736459	5
IBM CORP.	BLK.	1
		000



SELECTION LOGIC

XC ONLY
561

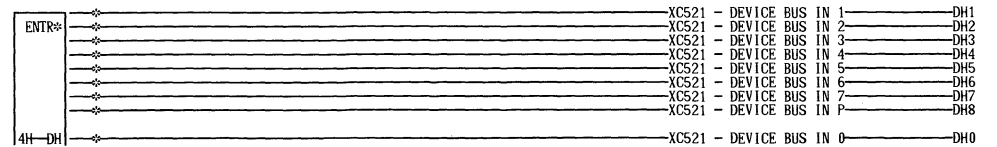
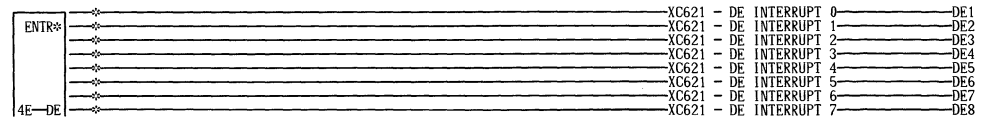
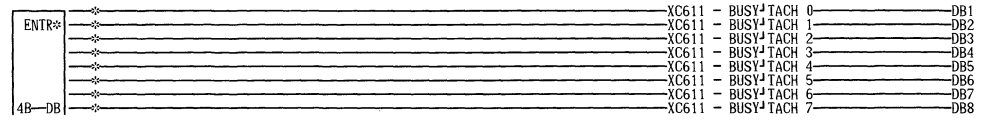
000

07-17-73 734098

TRAP ALU 2		
DATE	08-18-81 MACH. 3803-2	
LOG	0016 FRAME	01
	P.N. 2736460	
IBM CORP.	BLK.	GM

XC
561

000

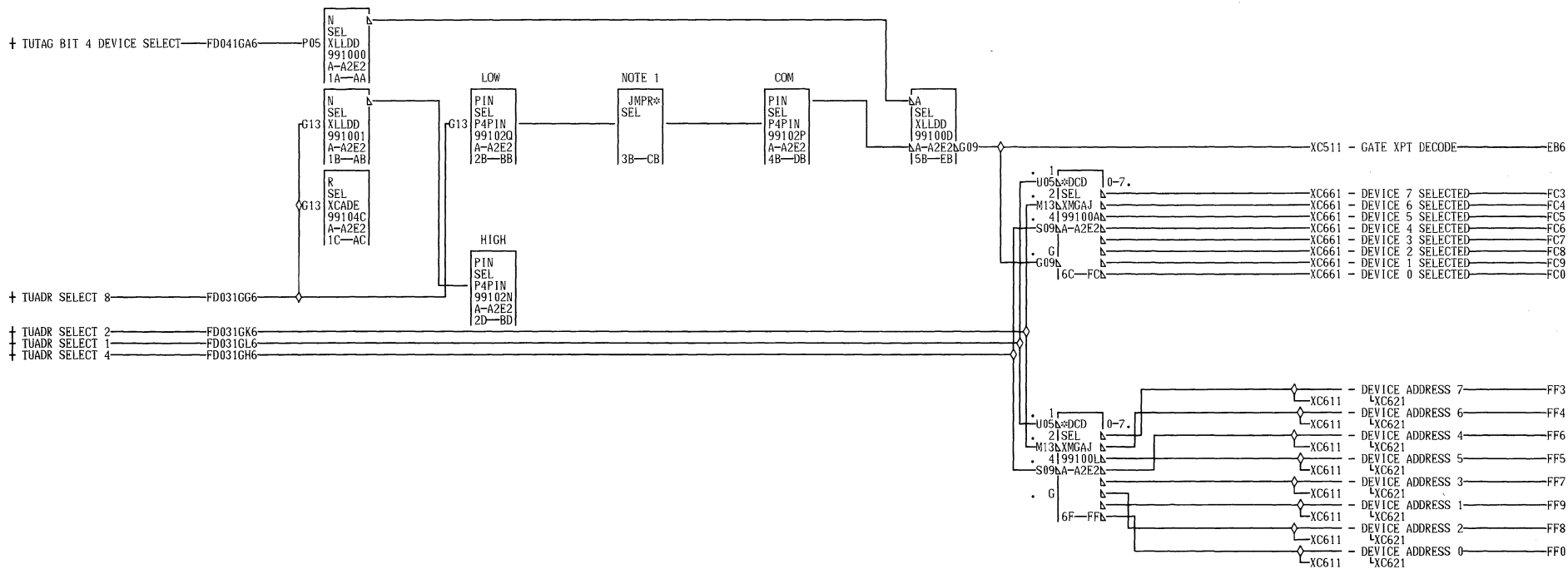


 SELECTION LOGIC
 X NOTE FOR INPUT
 C LINE CONNECTIONS
 5 REFER TO XC700
 8
 1
 000

DB1 A-A2A3B06	01A-B3B1D11	01A-B3B2B12	01T-A1C2G12	DE2 A-A2A3B10	01A-B3C1C11	01A-B3B3D11	01T-A1C1J11	DH4 A-A2B5B06	01A-B3C6B04
01A-B3B1C13	01A-B3A4B12	01T-A1C4G12	DB8 A-A2B3D13	01A-B3C1B13	01A-B3A5D11	01T-A1C3J11	DH0 A-A2B5B02	01A-B3B6C04	
01A-B3A2B12	01T-A1C5G12	DB6 A-A2B3B12	01A-B3G1A11	01A-B3A3D11	01T-A1C5J11	DE7 A-A2B3D05	01A-B3A6D04	DH5 A-A2B5D07	
01T-A1C8G12	DB4 A-A2A3D13	01A-B3F1E13	01A-B3B5B12	01T-A1C7J11	DE5 A-A2B3B04	01A-B3E1C11	DH1 A-A2B5D03	01A-B3B6D02	
DB2 A-A2A3B12	01A-B3C1E11	01A-B3B3B12	01T-A1C1G12	DE3 A-A2A3D05	01A-B3E1B13	01A-B3B4D11	01A-B3A6E02	DH6 A-A2B5B08	
01A-B3C1D13	01A-B3A5B12	01T-A1C3G12	DE1 A-A2A3B04	01A-B3B1B11	01A-B3B2D11	01T-A1C2J11	DH2 A-A2B5B04	01A-B3B6E04	
01A-B3A3B12	01T-A1C5G12	DB7 A-A2B3D07	01A-B3B1A13	01A-B3A4D11	01T-A1C4J11	DE8 A-A2B3D11	01A-B3B6A04	DH7 A-A2B5D09	
01T-A1C7G12	DB5 A-A2B3B06	01A-B3E1E11	01A-B3A2D11	01T-A1C6J11	DE6 A-A2B3B10	01A-B3F1D11	DH3 A-A2B5D05	01A-B3C6A02	
DB3 A-A2A3D07	01A-B3E1D13	01A-B3B4B12	01T-A1C8J11	DE4 A-A2A3D11	01A-B3F1C13	01A-B3B5D11	01A-B3B6B02	DH8 A-A2B5B10	

07-17-73 734098

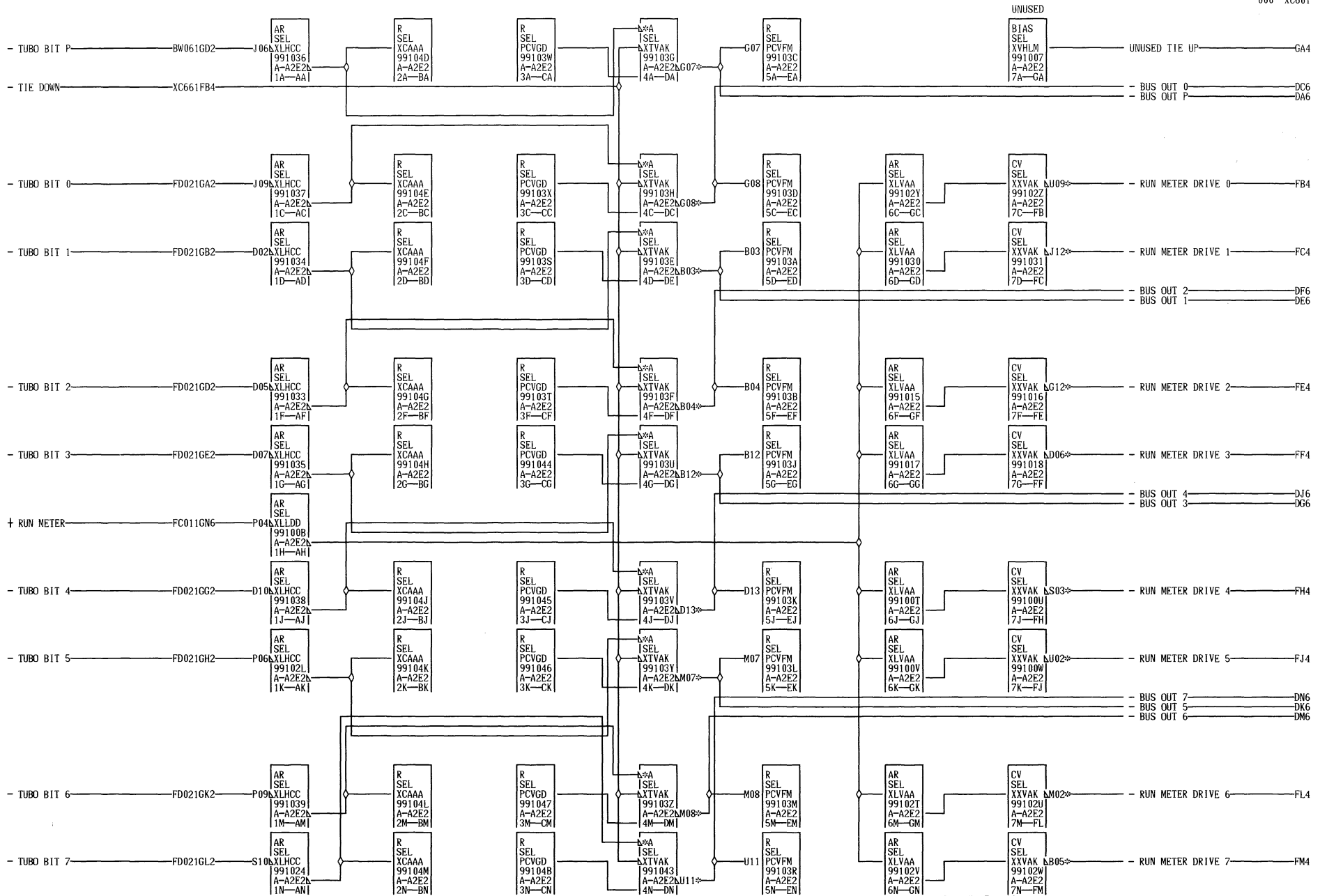
ENTRY PAGE 2		
LINES DIFFERENT FROM 5838		X
DATE	08-18-81 MACH. 3803-2	C
		5
LOG	0016 FRAME	01
		8
		1
	P.N. 2736461	000
IBM CORP.	SDD BLK.	DJ



NOTE 1
 JMPR LOW FOR ADDR 0-7
 X JMPR HIGH FOR ADDR 8-15
 C *****
 5 SELECTION LOGIC ONLY
 9
 1
 000

07-17-73 734098

ADDRESS DECODER			X
DATE	08-18-81 MACH. 3803-2		C
LOG	0016 FRAME	01	5
	P.N. 2736462		9
IBM CORP.	SDD BLK.	FG	1
			000

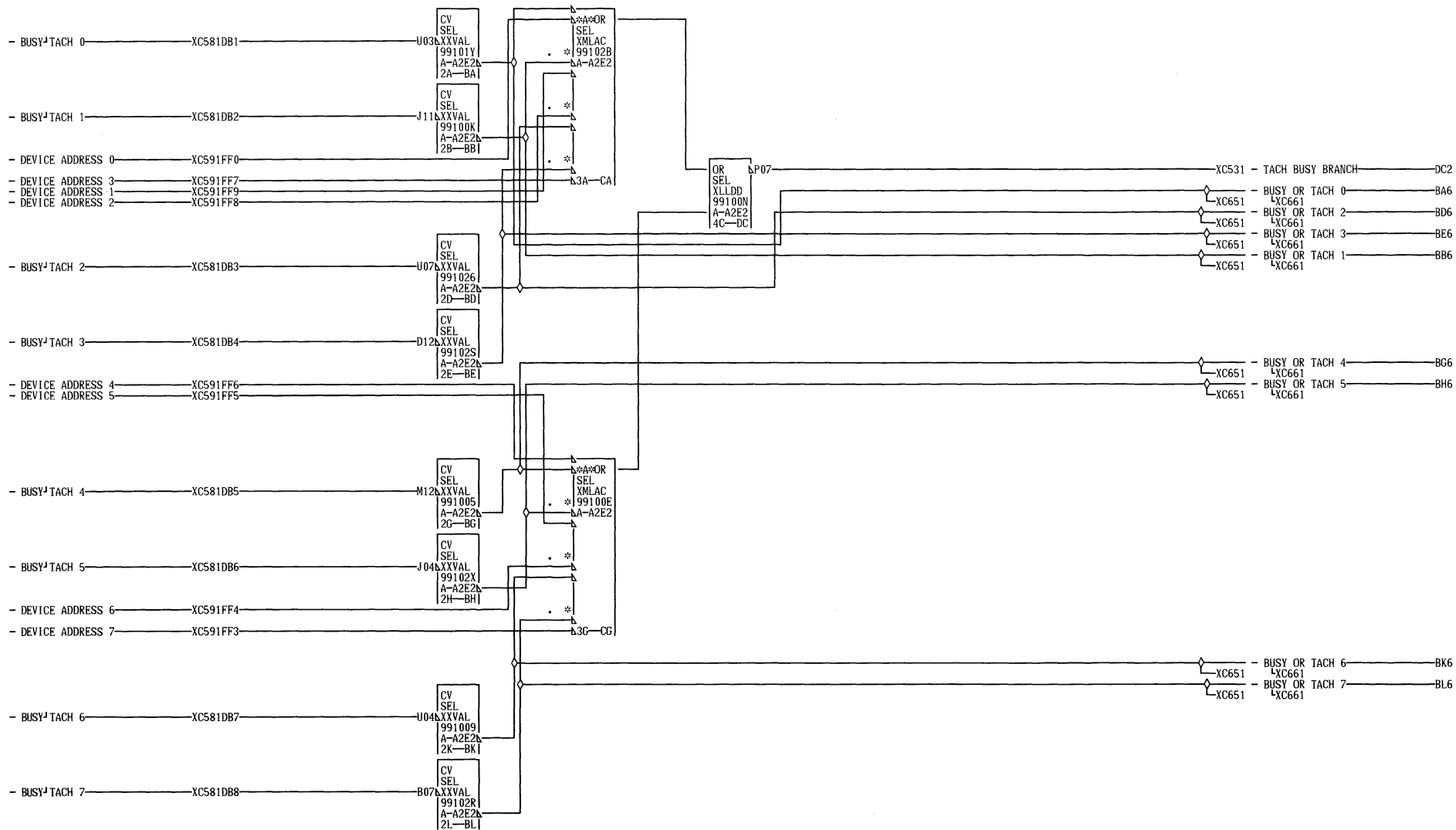


SELECTION LOGIC ONLY
 X NOTE
 C FOR OUTPUT LINE
 6 CONNECTIONS REFER
 0 TO XC700.

DA6 A-A2C5B10	01A-B3Q1C11	FB4 A-A2A3B02	01A-B3A1E11	01A-B3B2D13	01T-A1C2J13
01A-B3R1C13	DJ6 A-A2C5B06	01A-B3A1D13	01A-B3A4D13	FM4 A-A2B3D09	
DC6 A-A2C5B02	01A-B3Q1D13	01A-B3A2D13	01T-A1C6J13	FJ4 A-A2B3B08	01A-B3F1B11
01A-B3P1E13	DK6 A-A2C5D07	01T-A1C8J13	FF4 A-A2A3D09	01A-B3F1A13	01A-B3B5D13
DE6 A-A2C5D03	01A-B3Q1E11	FC4 A-A2A3B08	01A-B3C1A11	01A-B3B3D13	01T-A1C1J13
01A-B3Q1A11	DM6 A-A2C5B08	01A-B3B1E13	01A-B3A5D13	01T-A1C3J13	
DF6 A-A2C5B04	01A-B3R1A13	01A-B3A3D13	01T-A1C5J13	FL4 A-A2B3D03	
01A-B3Q1B13	DN6 A-A2C5D09	01T-A1C7J13	FH4 A-A2B3B02	01A-B3E1A11	
01A-B3R1B11	FE4 A-A2A3D03	01A-B3D1E13	01A-B3B4D13		

07-17-73 734098

CROSSPOINT DRIVERS BUS OUT DRI		
DATE		X
08-18-81	MACH. 3803-2	C
LOG	0016 FRAME	0
	P.N. 2736463	1
IBM CORP.	BLK.	000
	GP	

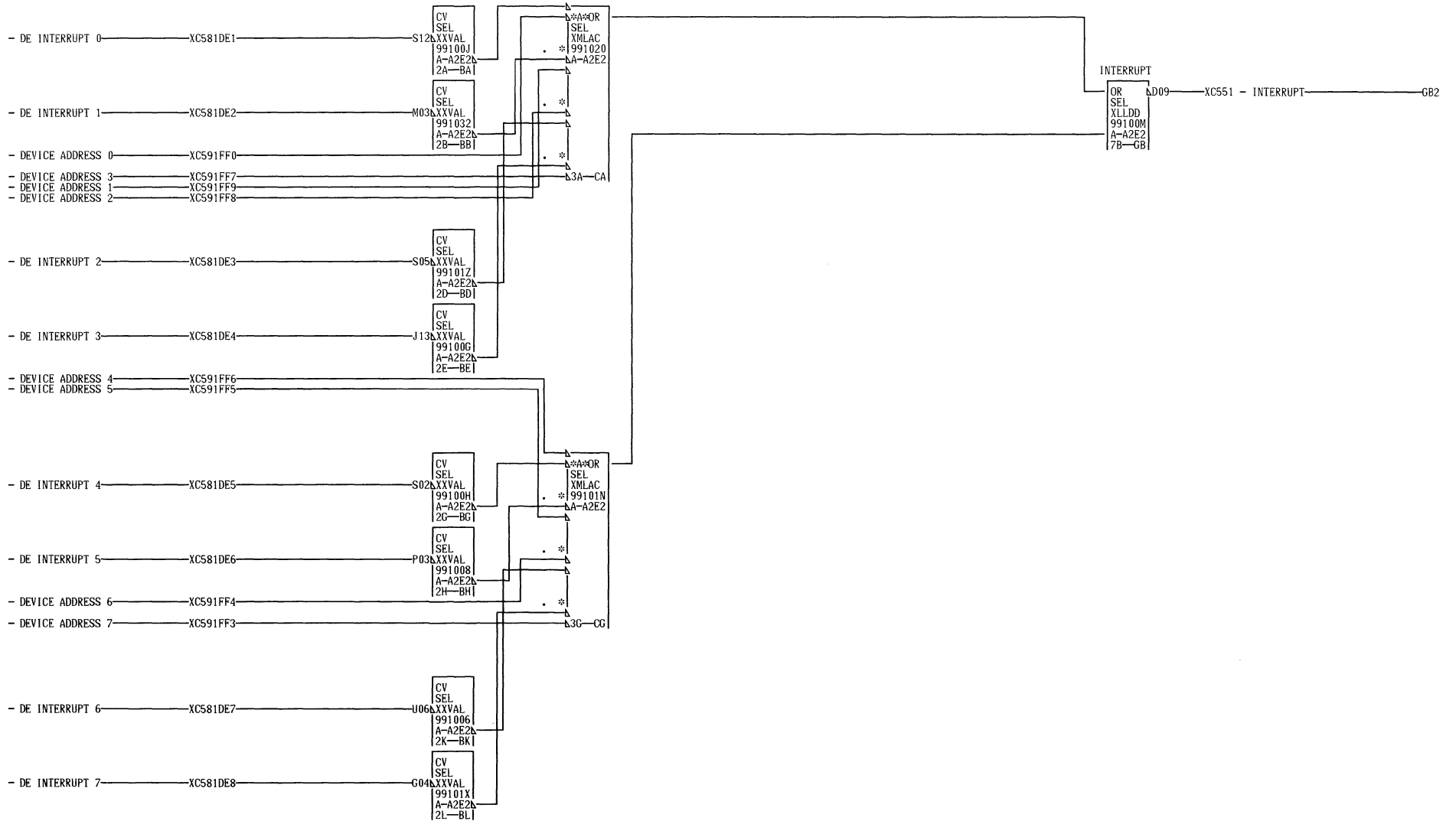


 SELECTION LOGIC
 X ONLY
 C
 6
 1
 1
 000

07-17-73 734098

TACH BUSY RECEIVERS			
DATE	08-18-81	MACH.	3803-2
LOG	0016	FRAME	01
		P.N.	2736464
IBM CORP.	SDD	BLK.	DD

XC611
000

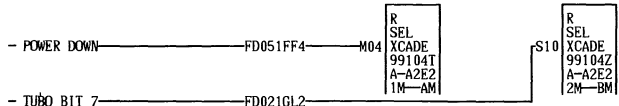
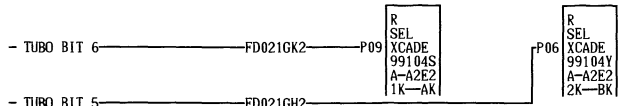
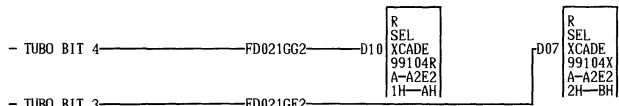
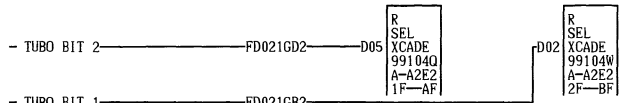
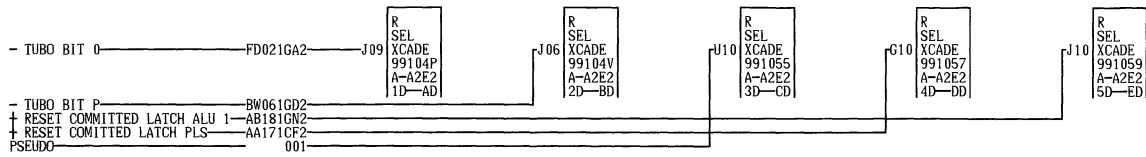
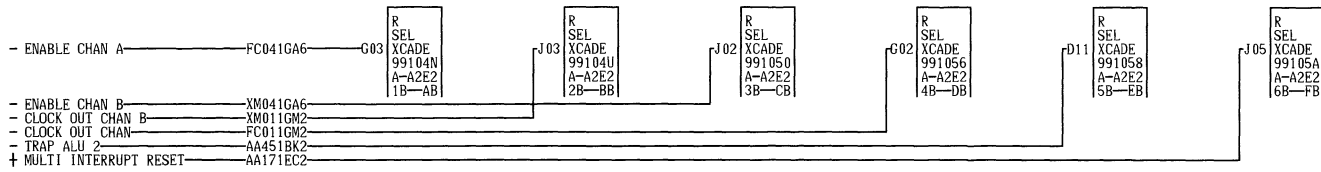


 SELECTION LOGIC
 X
 C
 6
 2
 1
 000

07-17-73 734098

INTERRUPT RECEIVERS			
DATE	08-18-81	MACH.	3803-2
LOG	0016	FRAME	01
		P.N.	2736465
IBM CORP.	SDD BLK.		CC

X
C
6
2
1
000

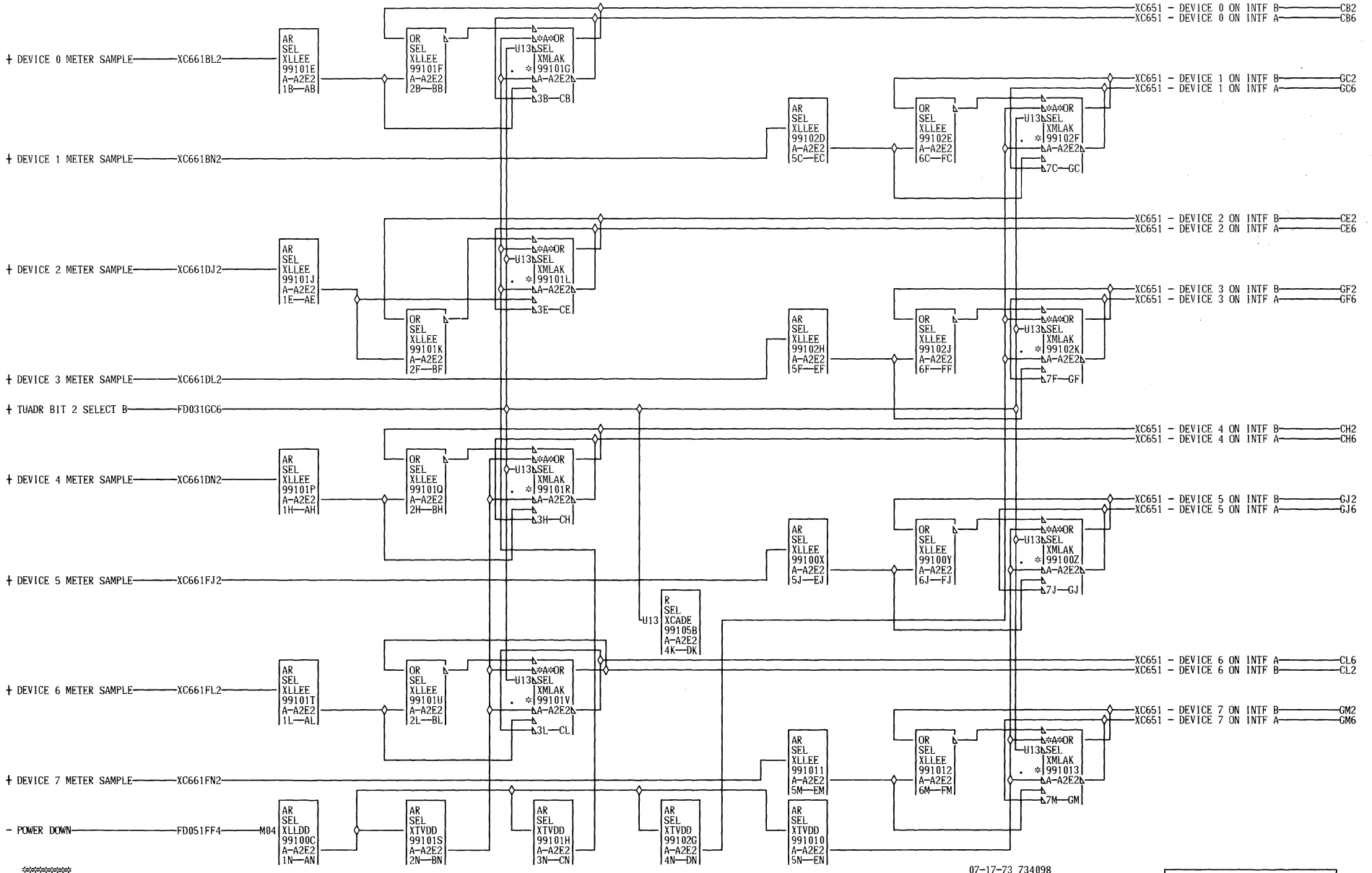


 SELECTION LOGIC
 X ONLY
 C
 6
 3
 1
 000

07-17-73 734098

TERMINATORS			
DATE	08-18-81	MACH.	3803-2
LOG	0016	FRAME	01
		P.N.	2736466
IBM CORP.	SDD	BLK.	FC

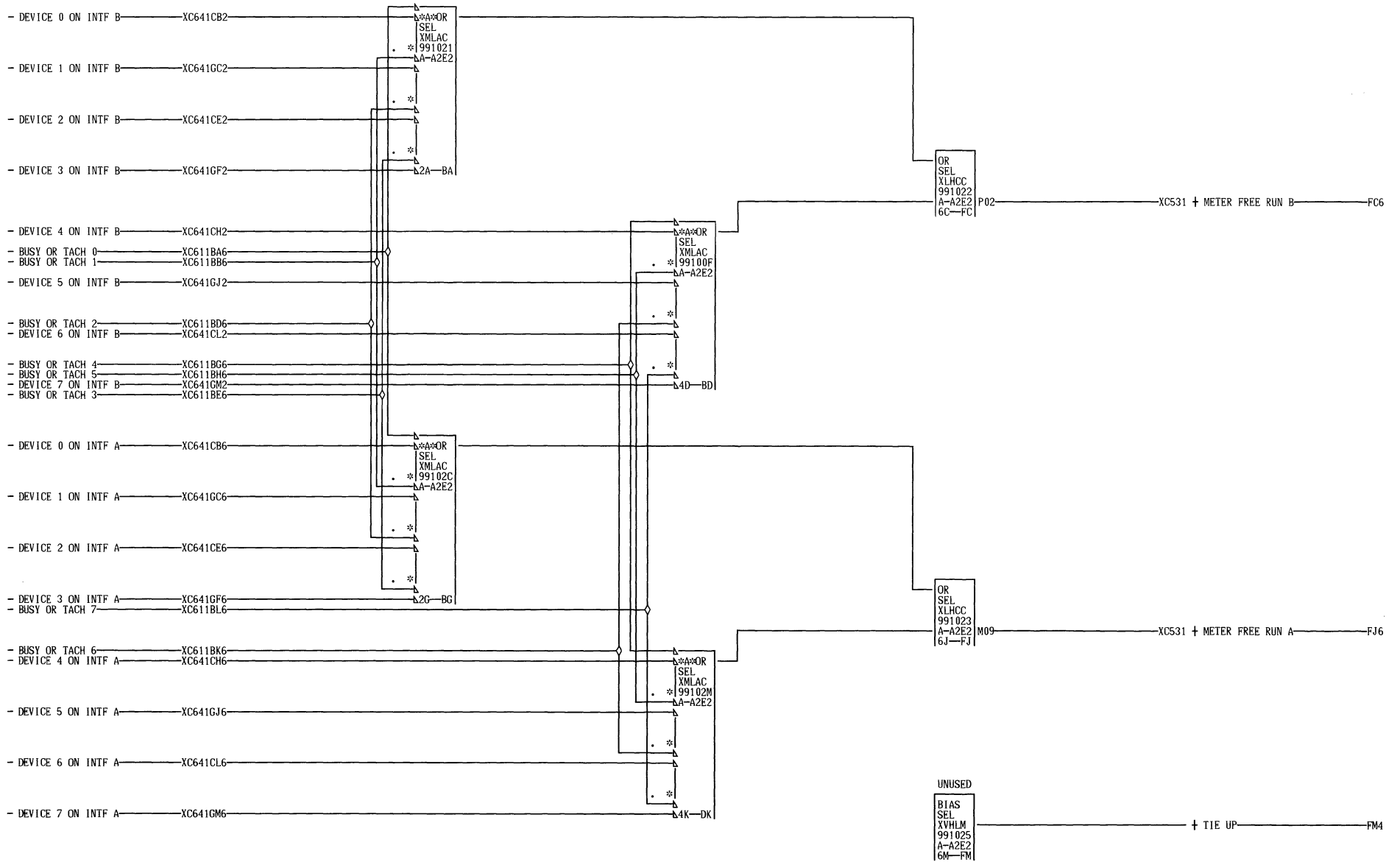
X
 C
 6
 3
 1
 000



SELECTION LOGIC
X ONLY
C
6
4
1
000

07-17-73 734098

INTF A/B LATCHES		X
DATE	08-18-81 MACH. 3803-2	C
LOG	0016 FRAME 01	6
	P.N. 2736467	4
		1
IBM CORP. SDD BLK.		000

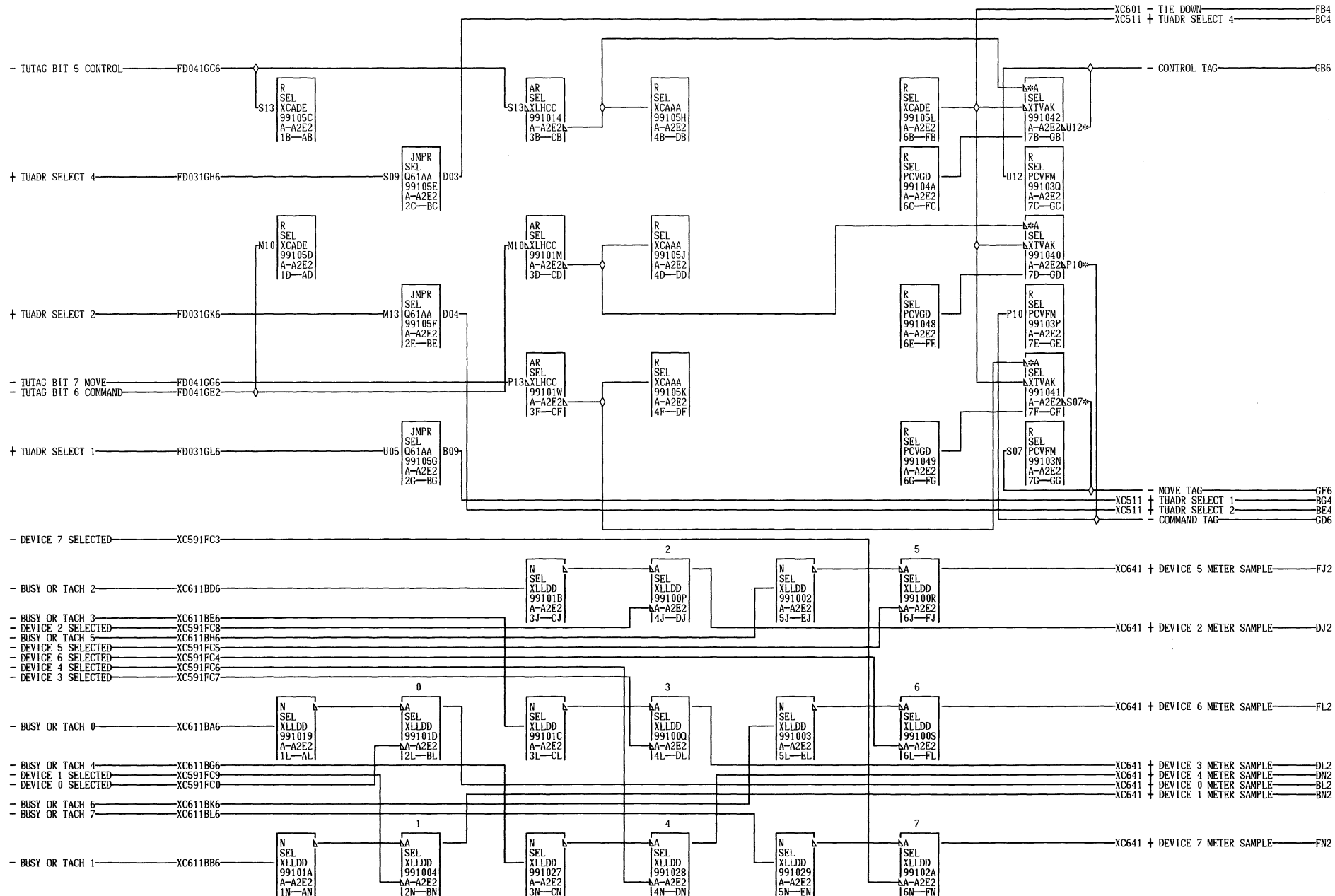


 SELECTION LOGIC
 X ONLY
 C
 6
 5
 1
 000

07-17-73 734098

METERING IN ASSEMBLERS			
DATE	08-18-81	MACH.	3803-2
LOG	0016	FRAME	01
		P.N.	2736468
IBM CORP.	SDD	BLK.	FM

X
C
6
5
1
000



SELECTION LOGIC
 X NOTE FOR OUTPUT
 C LINE CONNECTIONS
 6 REFER TO XC700
 6
 1

GB6 A-A2C5D11
 01A-B3R1D11
 GD6 A-A2C5B12
 01A-B3R1E13
 GF6 A-A2C5D13
 01A-B3S1A11

07-17-73 734098

TAG DRIVERS		
DATE	08-18-81	MACH. 3803-2
LOG	0016	FRAME 01
	P.N. 2736469	
IBM CORP.	SDD BLK.	CH

X
C
6
6
1
000

NOTES

1 SDI FEATURE CONSIST OF:

- A SDI SWITCH LOGIC CARDS. EACH CARD CONTAINS 4 NODES (A NODE IS THE LOGIC CIRCUITRY REQUIRED TO SELECT AND ASSIGN ONE TAPE DRIVE TO A REQUESTING TC).
- B CROSS POINT (XPT) SWITCH LOGIC CARDS. EACH MST CARD CONTAINS THE ELECTRONIC SWITCHES NEEDED TO SWITCH THE BUS IN OR BUS OUT LINES FOR 4 NODES.
- C CABLES AND CONNECTORS TO INTERCONNECT TC'S, TAPE DRIVES, SDI SWITCH, (LOGIC AND XPT) SWITCHES.
- D DOCUMENTATION.

2 CHART DEFINITION

CHART NUMBER	DEFINITION
(A)	MST CARD LOCATION 4 NODE EACH CARD. TWO CARDS EACH CU.
(B)	TU ADDRESS JUMPERING.
(C)	CONTROL UNIT PRIORITY JUMPERING.
(D)	INTERFACE LINE USED BY EACH CONTROL UNIT TO THE SDI SWITCH.
(E)	ENABLE/DISABLE SWITCHES ON CU.
(F)	COMMITTED EXIT LINES USED TO PREVENT MORE THAN ONE CU FROM SELECTING A DRIVE.
(G)	COMMITTED ENTRY LINES (SEE DEFINITION FOR CHART F). COMMITTED LINES PREVENT SIMULTANEOUS SELECTION OF THE SAME DEVICE BY MORE THAN ONE CU.
(H)	TAPE DRIVE TO SDI LOGIC LINES - THESE LINES ARE SWITCHED TO THE SELECTING CU BY NODE LOGIC.
(J)	XPT SWITCHES - CARD LOCATION.
(K)	CONNECTOR LOCATIONS FOR TD CONNECTOR TO CU FLAT CABLE LOCATIONS. BUS IN/BUS OUT - TU CONNECTOR PIN DESIGNATIONS - CU TO CU I/O CONNECTORS AND PIN DESIGNATION.
(L)	XPT SWITCH CONTROL LINES - ONE LINE FROM EACH NODE TO SET OF BUS IN AND BUS OUT SWITCHES.
(M)	XPT SWITCHES - CARD LOCATION.
(N)	XPT SWITCH CONTROL LINES - ONE LINE FROM EACH NODE TO SET OF BUS IN AND BUS OUT SWITCHES.
(P)	CONNECTOR LOCATION FOR TD CONNECTOR TO CU FLAT CABLE LOCATIONS. BUS IN/BUS OUT - TU CONNECTOR PIN DESIGNATION - CU TO CU I/O CONNECTORS AND PN DESIGNATION.
(Q)	TAPE DRIVE TO SDI LOGIC LINES - THESE LINES ARE SWITCHED TO THE SELECTING CU BY NODE LOGIC.

FOR 2x8
OR 2x16
ONLY

FOR
SELECTION
LOGIC
ONLY

NOTE: THE CIRCLED LETTER DESIGNATIONS ARE ALSO THE CHART DESIGNATIONS.

- 3 THE SAME DEVICE ADDRESS CANNOT BE USED ON MULTIPLE CONTROL UNITS WHEN THE CONTROL UNITS ARE INTERCONNECTED VIA COMMUNICATOR FEATURE. DEVICE ADDRESSES MUST BE ASSIGNED IN BLOCKS OF EIGHT PER CONTROL UNIT; EXAMPLE - CU A HOSTS THE SWITCH, CU A ATTACHED DRIVES MUST BE ADDRESSED 0-7 OR 8-15. THE CU B WITH DRIVES ATTACHED MUST BE ADDRESSED 8-15 OR 0-7 DEPENDING ON WHICH BLOCK OF EIGHT IS USED ON CU A.

- 4 CONNECTIONS ACCOMPLISHED VIA JUMPERS. SEE AA005.



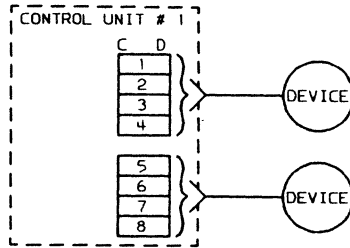
"THIS DOCUMENT IS THE PROPERTY OF IBM. ITS USE IS AUTHORIZED ONLY FOR RESPONDING TO A REQUEST FOR QUOTATION OR FOR THE PERFORMANCE OF WORK FOR IBM. ALL QUESTIONS MUST BE REFERRED TO THE IBM PURCHASING DEPARTMENT."



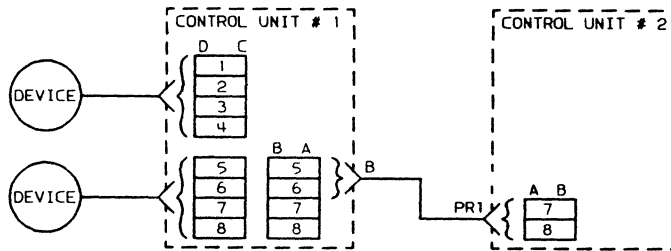
EC	SEE EC	846771	846771B					
DATE	HISTORY	11JUN82	15AUG83					

DEVICE SWITCHING

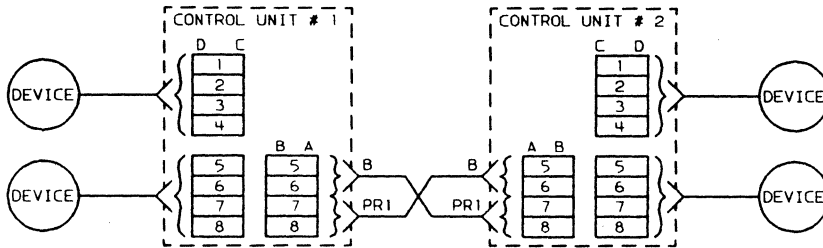
SELECTION LOGIC SUBSYSTEM



2x8 SUBSYSTEM CONFIGURATION



2x16 SUBSYSTEM CONFIGURATION

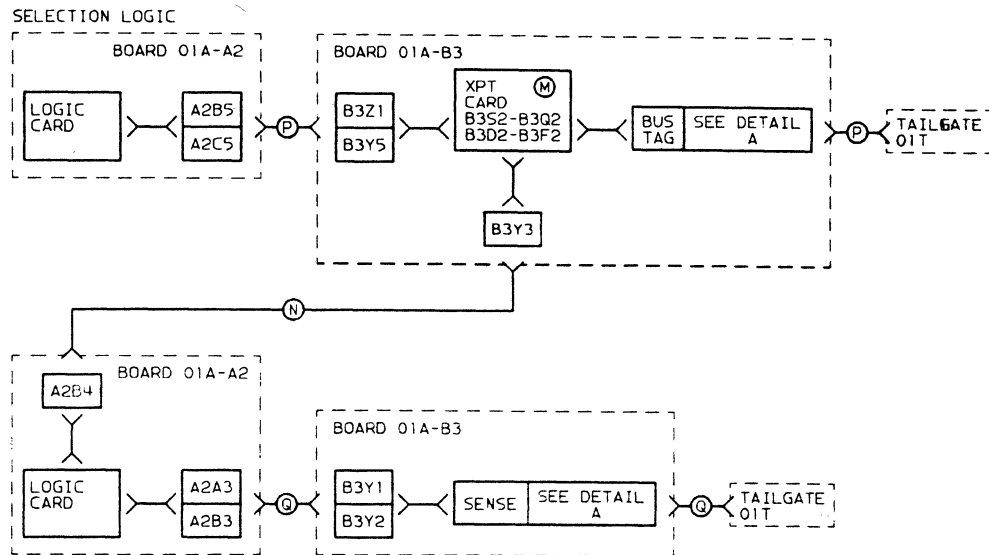


"THIS DOCUMENT IS THE PROPERTY OF IBM. ITS USE IS AUTHORIZED ONLY FOR RESPONDING TO A REQUEST FOR QUOTATION OR FOR THE PERFORMANCE OF WORK FOR IBM. ALL QUESTIONS MUST BE REFERRED TO THE IBM PURCHASING DEPARTMENT."

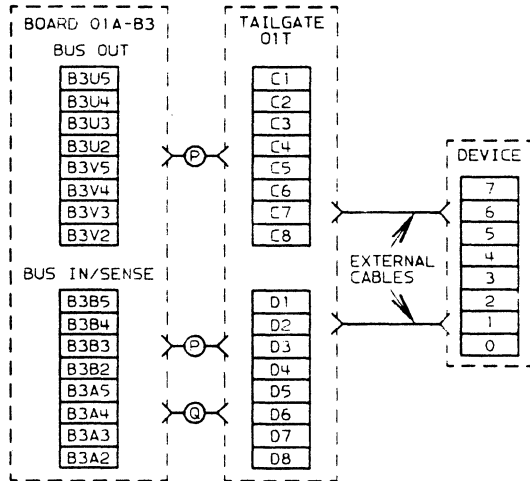


EC	SEE EC	846771	846771B				
DATE	HISTORY	11JUN82	15AUG83				

PATH FOLW



DETAIL A



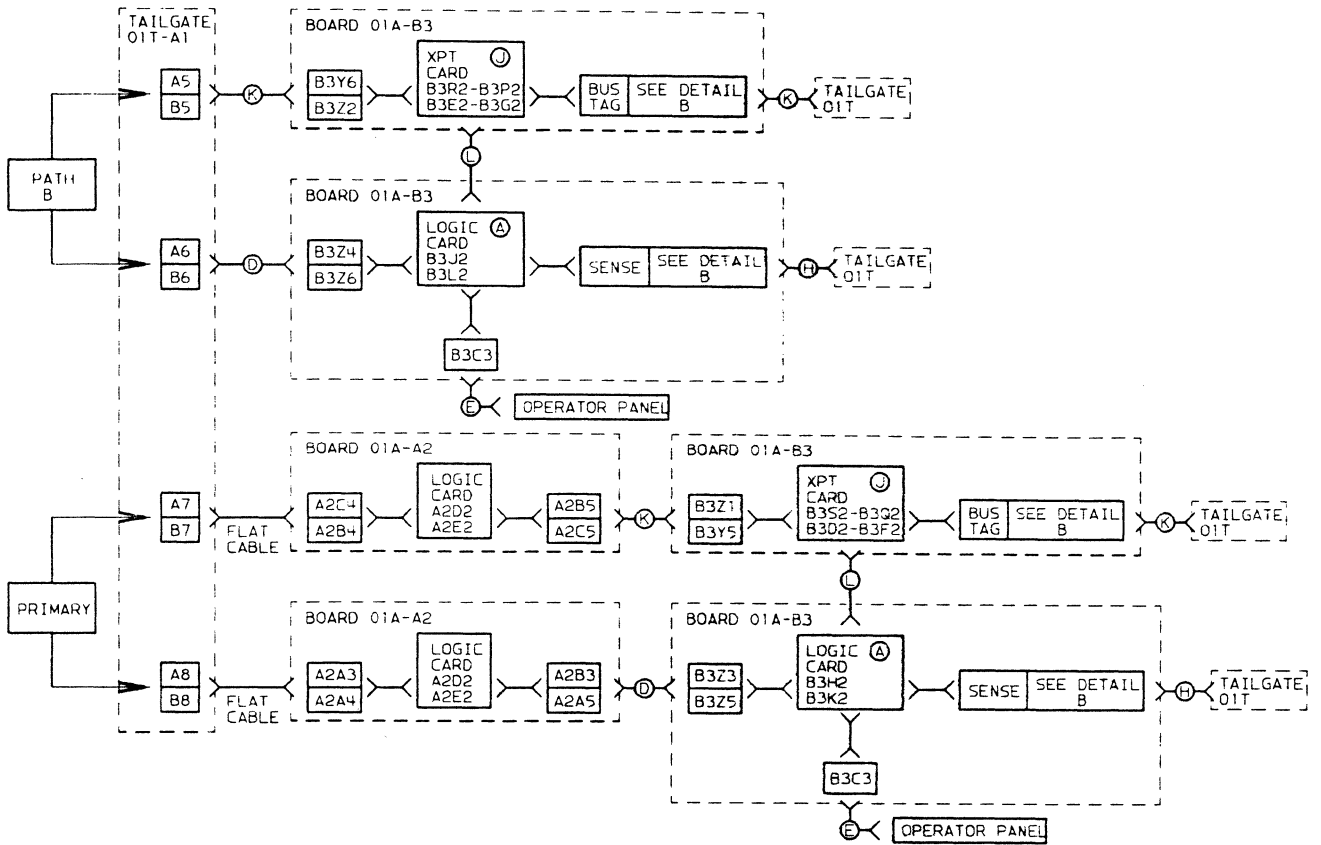
THIS DOCUMENT IS THE PROPERTY OF IBM. ITS USE IS AUTHORIZED ONLY FOR RESPONDING TO A REQUEST FOR QUOTATION OR FOR THE PERFORMANCE OF WORK FOR IBM. ALL QUESTIONS MUST BE REFERRED TO THE IBM PURCHASING DEPARTMENT.



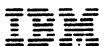
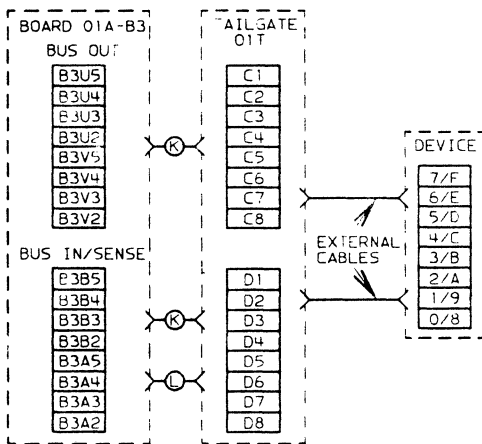
EC	SEE EC	846771	846771B					
DATE	HISTORY	11JUN82	15AUG83					

PATH FOLW

2x8 CONTROL UNIT # 1
2x16 CONTROL UNIT # 1 AND # 2



DETAIL B

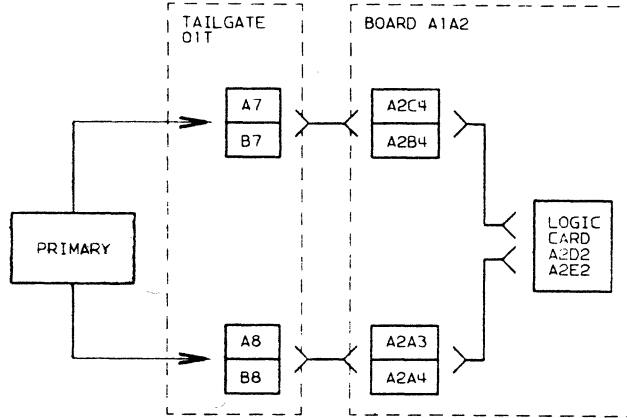


"THIS DOCUMENT IS THE PROPERTY OF IBM. ITS USE IS AUTHORIZED ONLY FOR RESPONDING TO A REQUEST FOR QUOTATION OR FOR THE PERFORMANCE OF WORK FOR IBM. ALL QUESTIONS MUST BE REFERRED TO THE IBM PURCHASING DEPARTMENT."



EC	SEE EC	846771	846771B				
DATE	HISTORY	11JUN82	15AUG83				

2x8 CONTROL UNIT # 2 (SEE LOGIC BOOK FOR DETAILS)



"THIS DOCUMENT IS THE PROPERTY OF IBM. ITS USE IS AUTHORIZED ONLY FOR RESPONDING TO A REQUEST FOR QUOTATION OR FOR THE PERFORMANCE OF WORK FOR IBM. ALL QUESTIONS MUST BE REFERRED TO THE IBM PURCHASING DEPARTMENT."

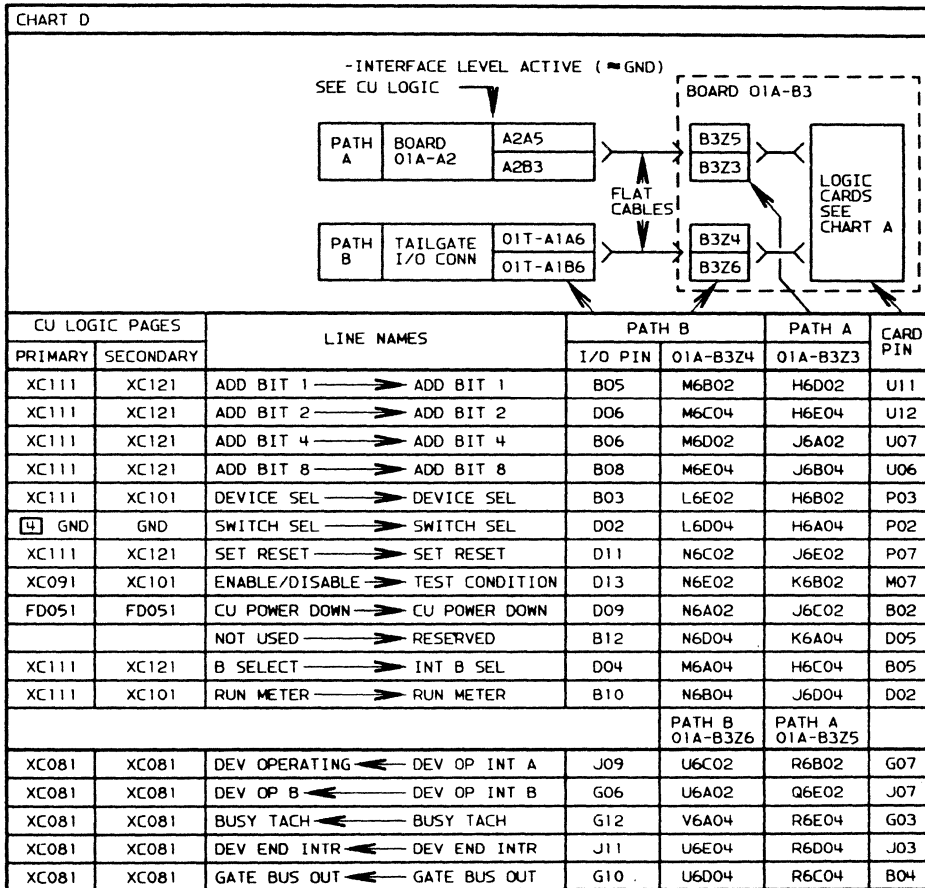


EC	SEE EC	846771	846771B					
DATE	HISTORY	11JUN82	15AUG83					

CHART A (2x8 OR 2x16)		
LOGIC CARD LOCATION		
DEVICE	PATH A	PATH B
0 / 8		
1 / 9	B3H2 TYPE 6319	B3J2 TYPE 7867
2 / A		
3 / B		
4 / C		
5 / D	B3K2 TYPE 7866	B3L2 TYPE 7868
6 / E		
7 / F		

CHART B
ADDRESS JUMPER LIST
PLUG CARDS LISTED IN CHART A TO PROPER ADDRESS. REFER TO LOGIC PAGE AA010.

CHART C
CONTROL UNIT PRIORITY JUMPERS
PLUG EACH CONTROL UNIT CARD LISTED IN CHART A TO PRIORITY DESIRED. REFER TO LOGIC PAGE AA010.



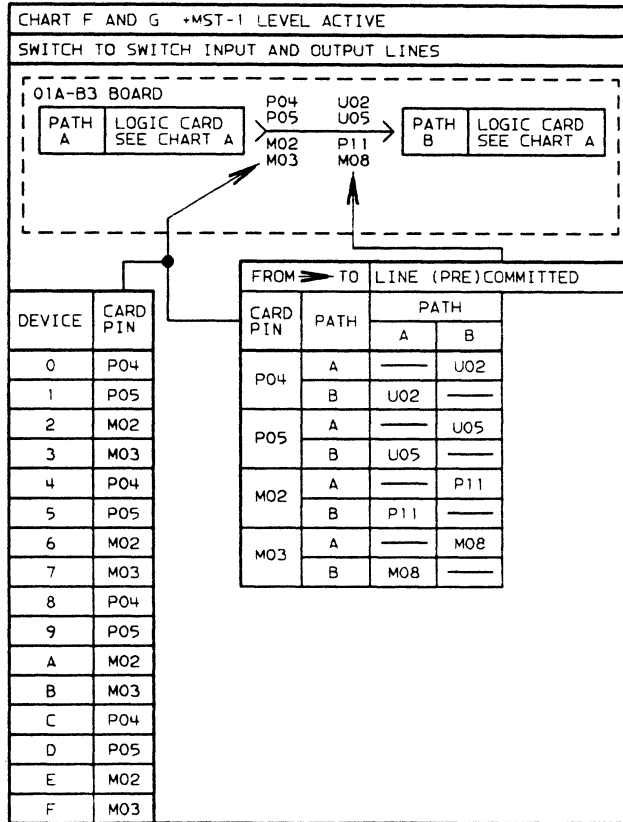
LINES CONTINUED TO DEVICE
SEE CHART H

IBM "THIS DOCUMENT IS THE PROPERTY OF IBM. ITS USE IS AUTHORIZED ONLY FOR RESPONDING TO A REQUEST FOR QUOTATION OR FOR THE PERFORMANCE OF WORK FOR IBM. ALL QUESTIONS MUST BE REFERRED TO THE IBM PURCHASING DEPARTMENT."



EC	SEE EC	846771	846771B				
DATE	HISTORY	11JUN82	15AUG83				

CHART E (2x8 OR 2x16)				
ENABLE SWITCHES GND DISABLED				
TU ADDRESS	C.U.DEV	CABLE B3C3	CARD	
			PIN	LOCATION
0	A-0	D12	G08	B3H2
1	A-1	D13	J09	B3H2
2	A-2	D11	D13	B3H2
3	A-3	D09	B13	B3H2
4	A-4	D07	G08	B3K2
5	A-5	D05	J09	B3K2
6	A-6	D03	D13	B3K2
7	A-7	D02	B13	B3K2
8	B-0	B13	G08	B3J2
9	B-1	D10	J09	B3J2
A	B-2	B11	D13	B3J2
B	B-3	B09	B13	B3J2
C	B-4	B07	G08	B3L2
D	B-5	B04	J09	B3L2
E	B-6	D04	D13	B3L2
F	B-7	B02	B13	B3L2



"THIS DOCUMENT IS THE PROPERTY OF IBM. ITS USE IS AUTHORIZED ONLY FOR RESPONDING TO A REQUEST FOR QUOTATION OR FOR THE PERFORMANCE OF WORK FOR IBM. ALL QUESTIONS MUST BE REFERRED TO THE IBM PURCHASING DEPARTMENT."



EC	SEE EC	846771	846771B				
DATE	HISTORY	11JUN82	15AUG83				

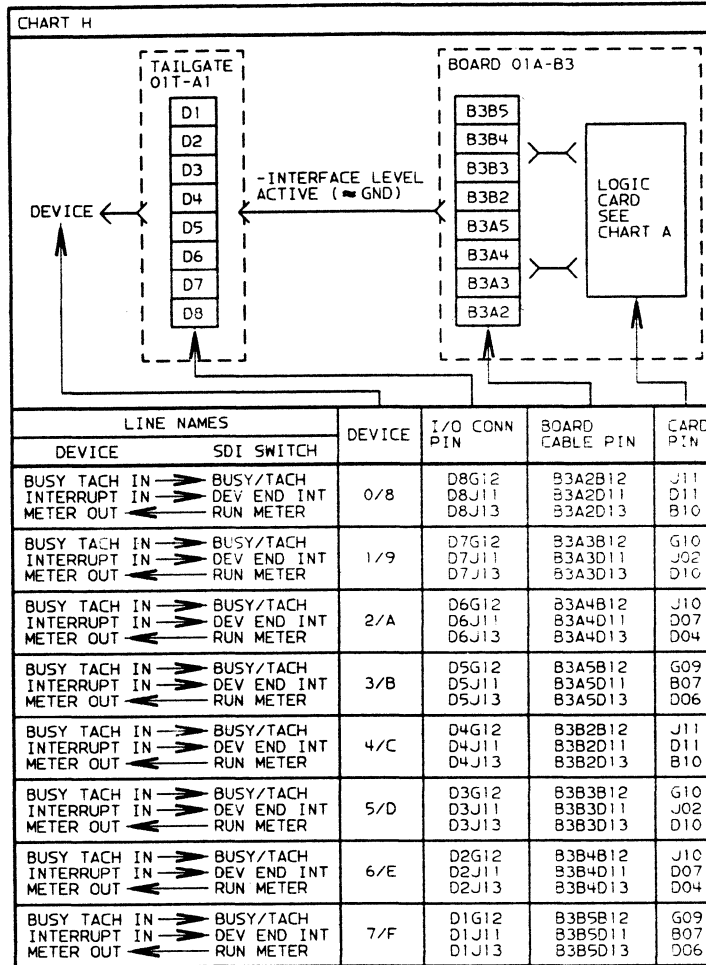


CHART J (2x8 OR 2x16)

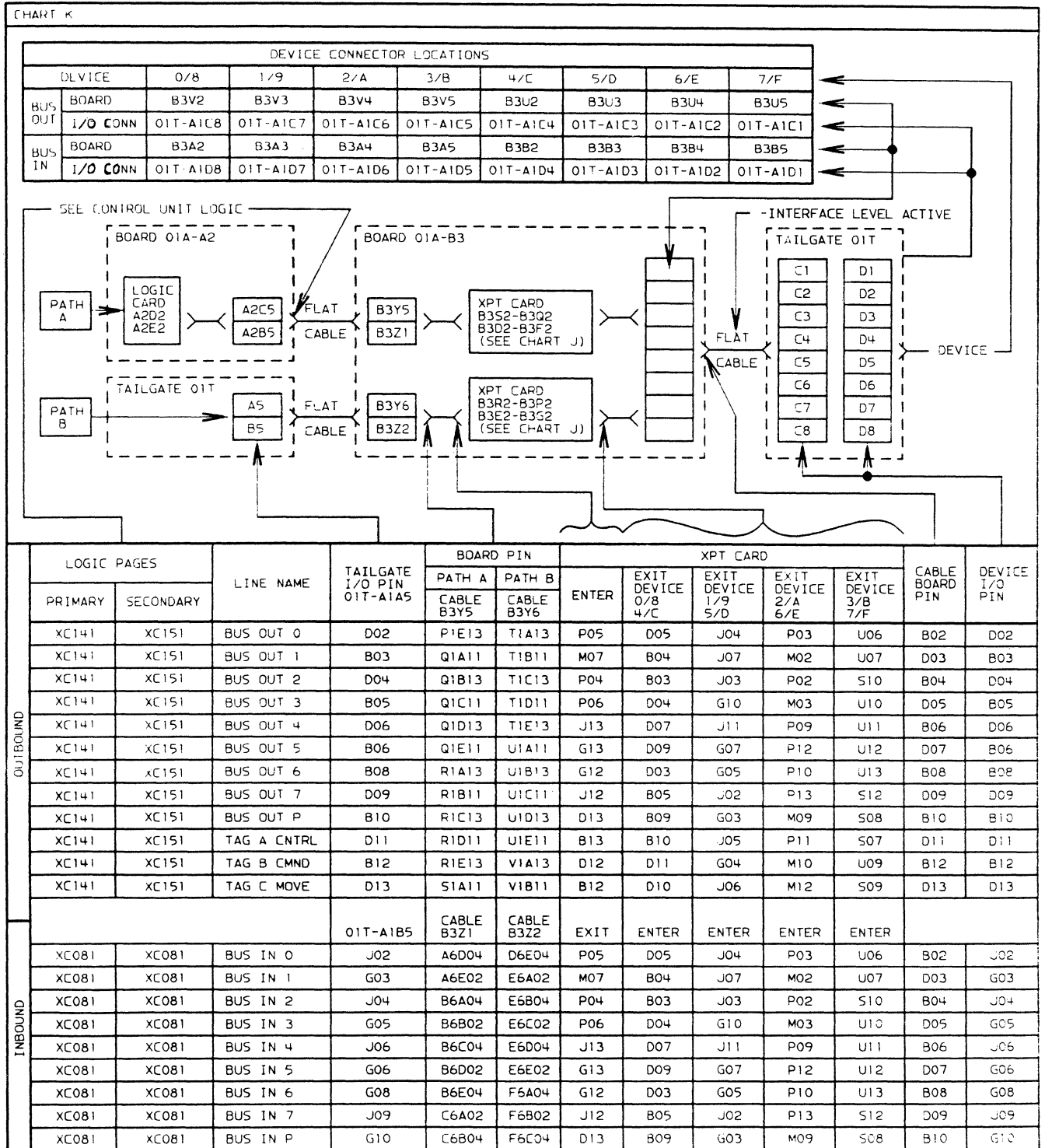
DEVICE	OUTBOUND CARD TYPE 5896		INBOUND CARD TYPE 5897	
	PATH A	PATH B	PATH A	PATH B
0/8				
1/9	B3S2	B3R2	B3D2	B3E2
2/A				
3/B				
4/C				
5/D	B3Q2	B3P2	B3F2	B3G2
6/E				
7/F				



"THIS DOCUMENT IS THE PROPERTY OF IBM. ITS USE IS AUTHORIZED ONLY FOR RESPONDING TO A REQUEST FOR QUOTATION OR FOR THE PERFORMANCE OF WORK FOR IBM. ALL QUESTIONS MUST BE REFERRED TO THE IBM PURCHASING DEPARTMENT."



SEE EC HISTORY	846771	846771B					
	11JUN82	15AUG83					



IBM "THIS DOCUMENT IS THE PROPERTY OF IBM. ITS USE IS AUTHORIZED ONLY FOR RESPONDING TO A REQUEST FOR QUOTATION OR FOR THE PERFORMANCE OF WORK FOR IBM. ALL QUESTIONS MUST BE REFERRED TO THE IBM PURCHASING DEPARTMENT."



EC	SEE EC	846771	846771B						
DATE	HISTORY	11JUN82	15AUG83						

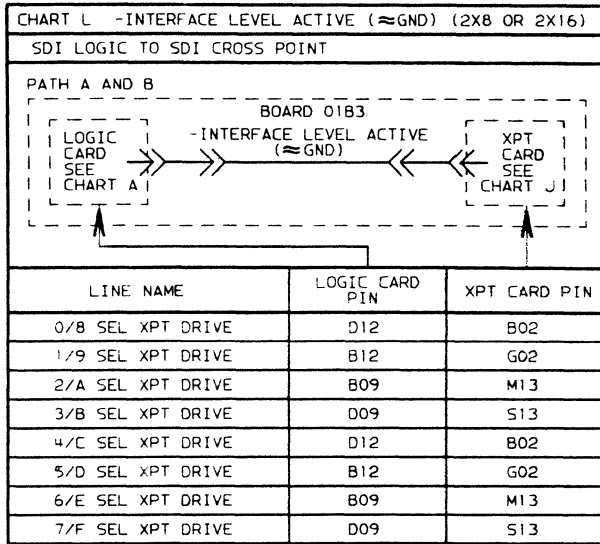
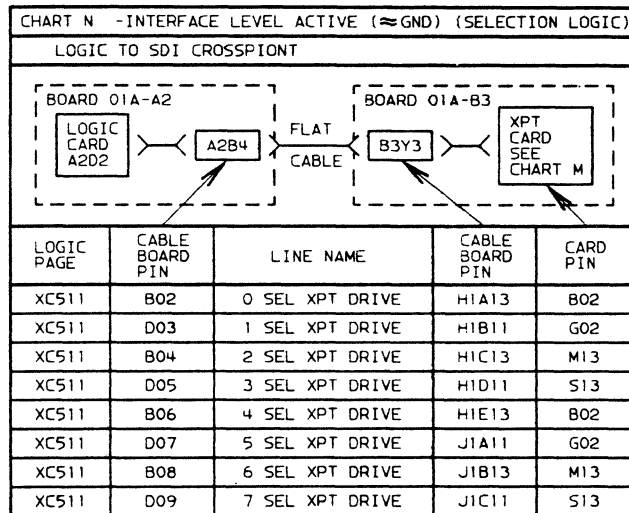


CHART M (SELECTION LOGIC)
XPT CARDS 01A-B3 BOARD

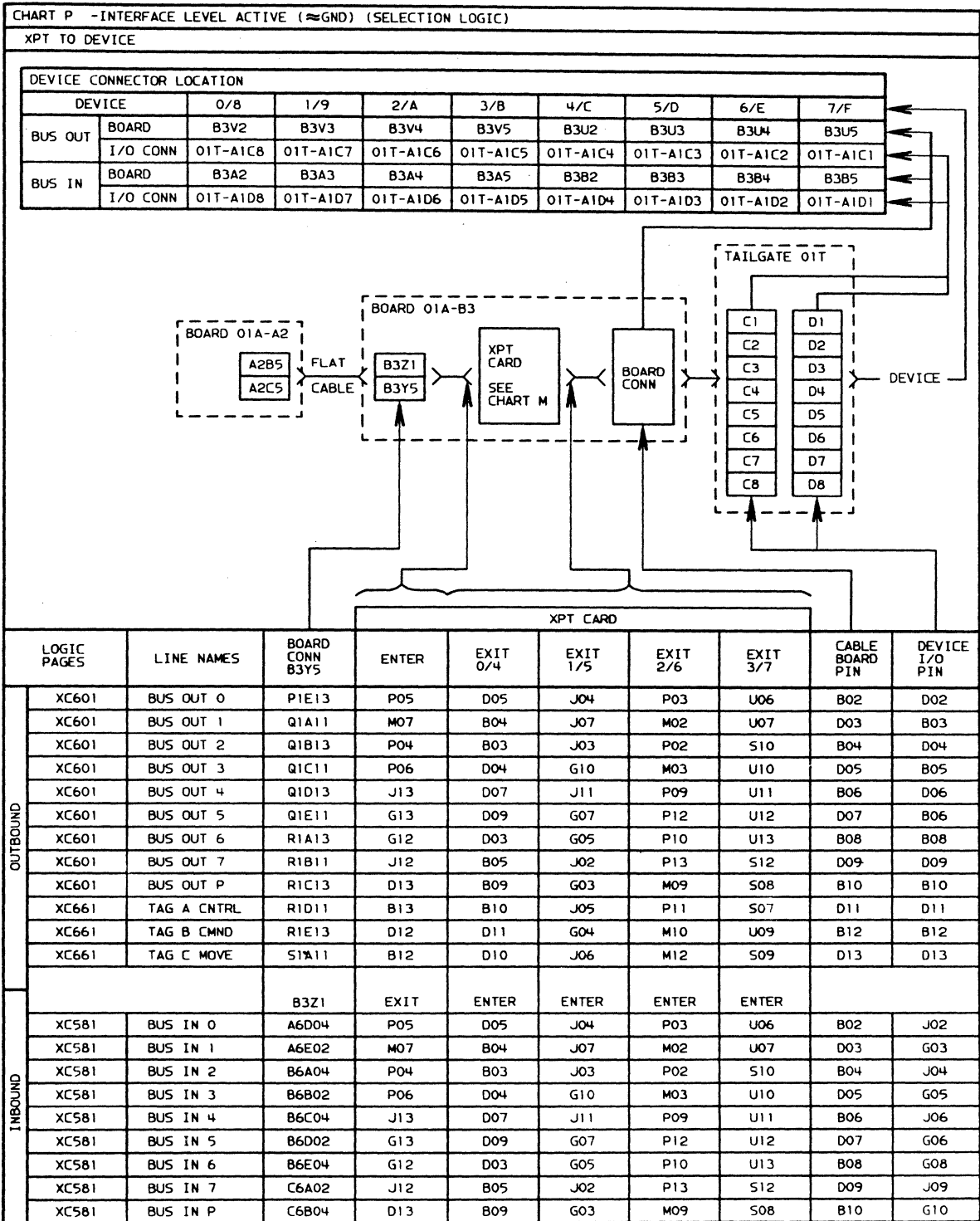
DEVICE	OUTBOUND CARD TYPE 5896	INBOUND CARD TYPE 5897
0	B3S2	B3D2
1		
2		
3		
4	B3Q2	B3F2
5		
6		
7		



IBM "THIS DOCUMENT IS THE PROPERTY OF IBM. ITS USE IS AUTHORIZED ONLY FOR RESPONDING TO A REQUEST FOR QUOTATION OR FOR THE PERFORMANCE OF WORK FOR IBM. ALL QUESTIONS MUST BE REFERRED TO THE IBM PURCHASING DEPARTMENT."



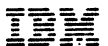
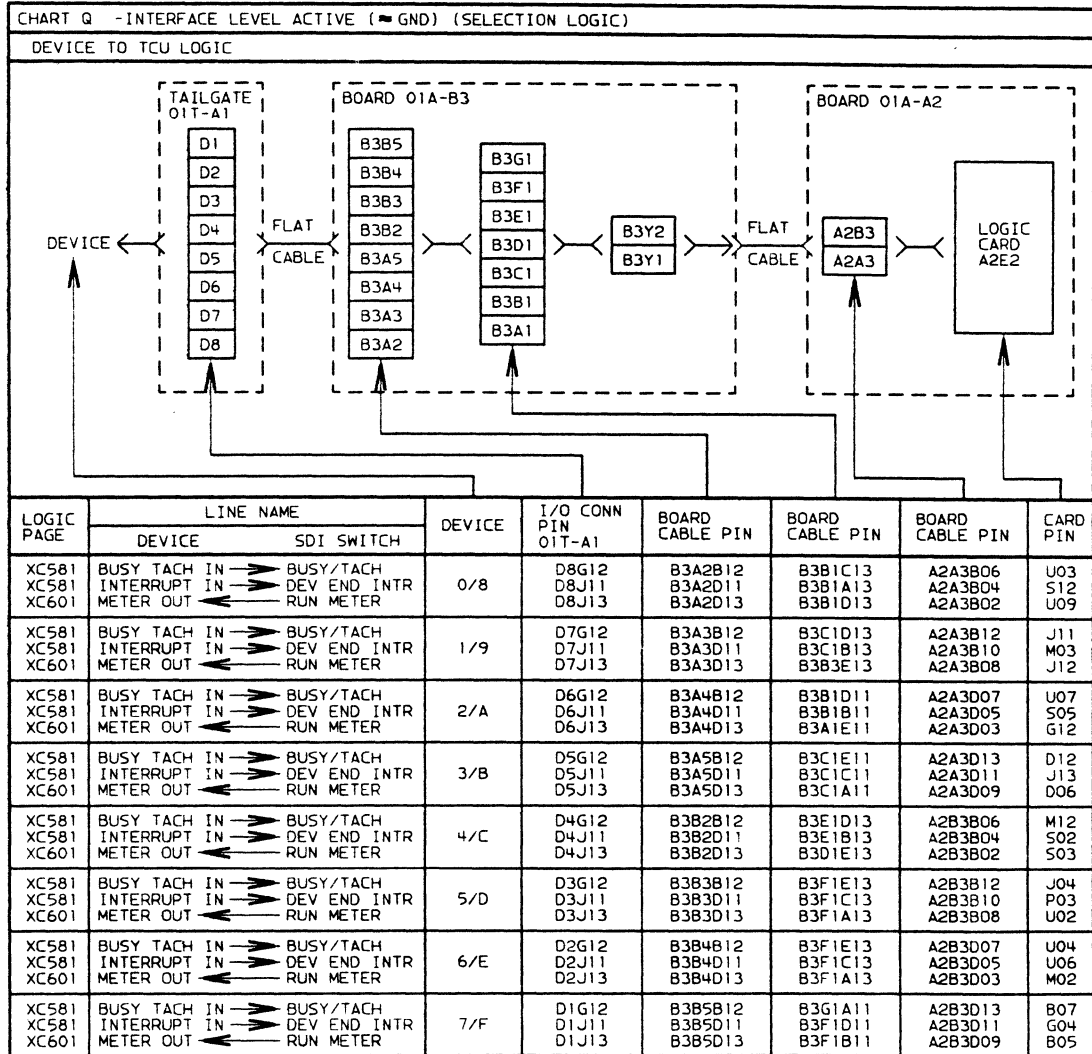
EC	SEE EC	846771	846771B					
DATE	HISTORY	11JUN82	15AUG83					



IBM "THIS DOCUMENT IS THE PROPERTY OF IBM. ITS USE IS AUTHORIZED ONLY FOR RESPONDING TO A REQUEST FOR QUOTATION OR FOR THE PERFORMANCE OF WORK FOR IBM. ALL QUESTIONS MUST BE REFERRED TO THE IBM PURCHASING DEPARTMENT."



EC	SEE EC	846771	846771B						
DATE	HISTORY	11JUN82	15AUG83						



"THIS DOCUMENT IS THE PROPERTY OF IBM. ITS USE IS AUTHORIZED ONLY FOR RESPONDING TO A REQUEST FOR QUOTATION OR FOR THE PERFORMANCE OF WORK FOR IBM. ALL QUESTIONS MUST BE REFERRED TO THE IBM PURCHASING DEPARTMENT."



EC	SEE EC	846771	846771B					
DATE	HISTORY	11JUN82	15AUG83					

NOTES

- 1 SDI FEATURE CONSIST OF:
 - A. SDI SWITCH LOGIC CARDS. EACH CARD CONTAINS 4 NODES (A NODE IS THE LOGIC CIRCUITRY REQUIRED TO SELECT AND ASSIGN ONE TAPE DRIVE TO A REQUESTING TC).
 - B. CROSS POINT (XPT) SWITCH LOGIC CARDS. EACH MST CARD CONTAINS THE ELECTRONIC SWITCHES NEEDED TO SWITCH THE BUS IN OR BUS OUT LINES FOR 4 NODES.
 - C. CABLES AND CONNECTORS TO INTERCONNECT TC'S, TAPE DRIVES, SDI SWITCH, (LOGIC AND XPT) SWITCHES.
 - D. DOCUMENTATION:
 - A SDI INTERCONNECTION ILLUSTRATION (SHEET 2).
 - B OPERATIONAL LOGIC FOR ONE NODE (SHEET 3).
 - C TERMINAL AND PHYSICAL LOCATING CHARTS (SHEETS 9-13).

2 CHART DEFINITION

CHART NUMBER	DEFINITION
A.	MST CARD LOCATION 4 NODE EACH CARD. TWO CARDS EACH CU.
B.	TU ADDRESS JUMPERING.
C.	CONTROL UNIT PRIORITY JUMPERING.
D.	INTERFACE LINE USED BY EACH CONTROL UNIT TO THE SDI SWITCH.
E.	ENABLE/DISABLE SWITCHES ON CU.
F.	COMMITTED EXIT LINES USED TO PREVENT MORE THAN ONE CU FROM SELECTING A DRIVE.
G.	COMMITTED ENRY LINES (SEE DEFINITION FOR CHART F). COMMITTED LINES PREVENT SIMULTANEOUS SELECTION OF THE SAME DEVICE BY MORE THAN ONE CU.
H.	TAPE DRIVE TO SDI LOGIC LINES - THESE LINES ARE SWITCHED TO THE SELECTING CU BY NODE LOGIC.
J.	XPT SWITCHES - CARD LOCATION 4 CARDS FOR EACH CU.
K.	CONNECTOR LOCATIONS FOR TD CONNECTOR TO CU FLAT CABLE LOCATIONS. BUS IN/BUS OUT - TU CONNECTOR PIN DESIGNATIONS - CU TO CU I/O CONNECTORS AND PIN DESIGNATION.
L.	XPT SWITCH CONTROL LINES - ONE LINE FROM EACH NODE TO SET OF BUS IN AND BUS OUT SWITCHES.

3 EXAMPLES INDICATED IN THIS ILLUSTRATION (SUB SYSTEM CONFIGURATION)
TCU2 SELECTING TAPE DRIVE 5

- (A) MST CARD LOCATION FOR NODES CU B-TO 4-7.
- (D) BUSY/TACH IN SWITCH NODE TO TC.
- (E) ENABLE/DISABLE SWITCH ON HOST CU.
- (F) COMMITTED EXIT NODE CU B-TO5.
- (G) COMMITTED ENTRY CU B TO CU A, CU C AND CU D.
- (H) BUSY/TACH IN TAPE DRIVE TO SWITCH NODE.
- (J) MST CARD LOCATIONS FOR BUS IN/BUS OUT XPT SWITCHES (LOGIC SHOWN FOR EXAMPLES).
- (K) PADDLE CONNECTOR LOCATIONS FOR BUS IN/BUS OUT LINES, BUS IN 3 BIT, BUS OUT - CONTROL TAG.
- (L) XPT SWITCH SELECT.

NOTE: THE CIRCLED LETTER NOTE DESIGNATIONS ARE ALSO THE CHART DESIGNATIONS.

- 4 BUS IN/BUS OUT. TO AND FROM XPT SWITCHES BELOW.
- 5 THE SAME DEVICE ADDRESS CANNOT BE USED ON MULTIPLE CONTROL UNITS WHEN THE CONTROL UNITS ARE INTERCONNECTED VIA COMMUNICATOR FEATURE. DEVICE ADDRESSES MUST BE ASSIGNED IN BLOCKS OF EIGHT PER CONTROL UNIT; EXAMPLE - CU A HOSTS THE SWITCH. CU A ATTACHED DRIVES MUST BE ADDRESSED 0-7 OR 8-15. THE CU B WITH DRIVES ATTACHED MUST BE ADDRESSED 8-15 OR 0-7 DEPENDING ON WHICH BLOCK OF EIGHT IS USED ON CU A.
- 6 CONNECTIONS ACCOMPLISHED VIA JUMPERS. SEE AA005.

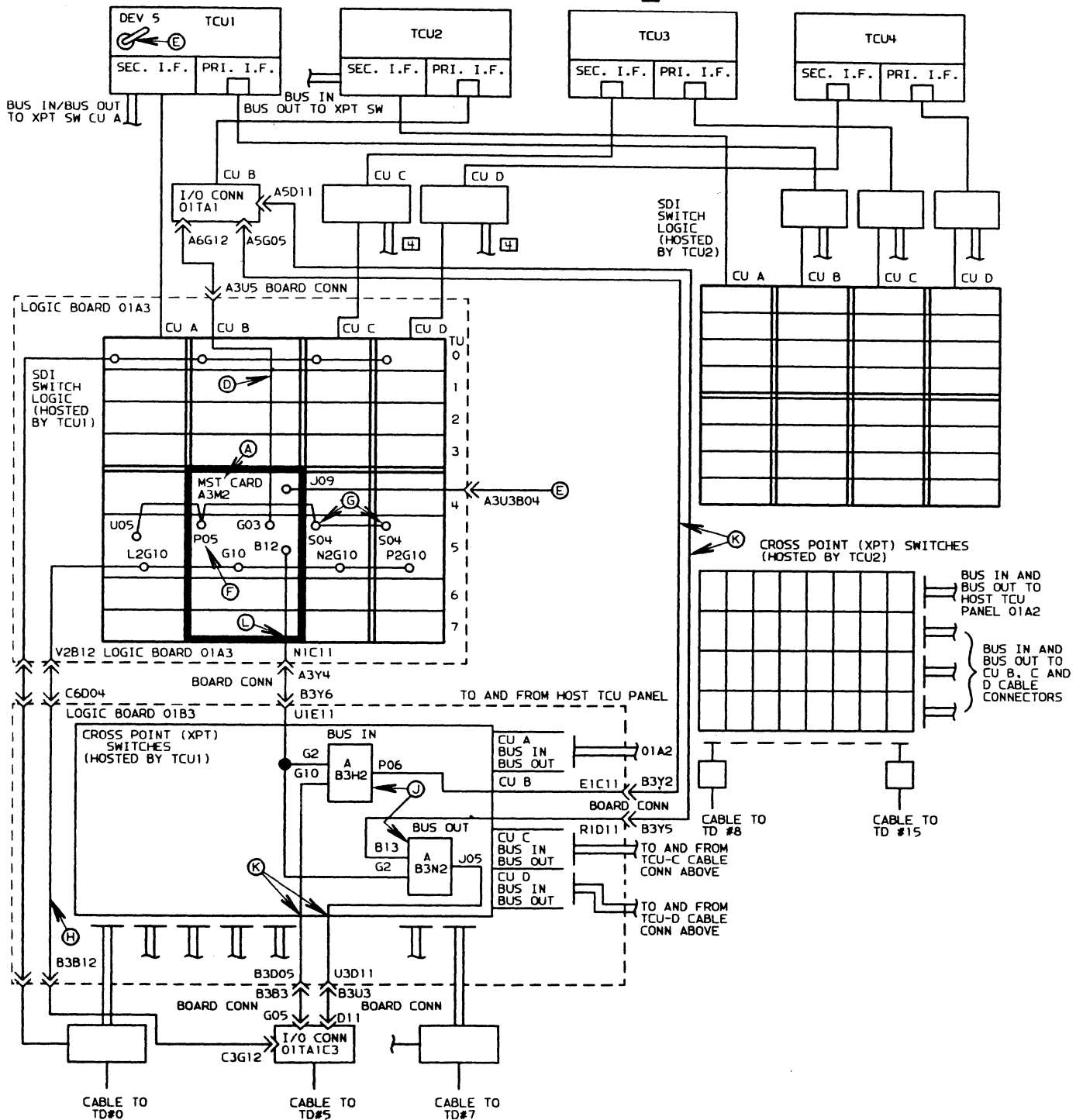


"THIS DOCUMENT IS THE PROPERTY OF IBM. ITS USE IS AUTHORIZED ONLY FOR RESPONDING TO A REQUEST FOR QUOTATION OR FOR THE PERFORMANCE OF WORK FOR IBM. ALL QUESTIONS MUST BE REFERRED TO THE IBM PURCHASING DEPARTMENT."



EC	SEE EC	846771	846771B				
DATE	HISTORY	11JUN82	15AUG83				

SUBSYSTEM CONFIGURATION EXAMPLE 3



IBM "THIS DOCUMENT IS THE PROPERTY OF IBM. ITS USE IS AUTHORIZED ONLY FOR RESPONDING TO A REQUEST FOR QUOTATION OR FOR THE PERFORMANCE OF WORK FOR IBM. ALL QUESTIONS MUST BE REFERRED TO THE IBM PURCHASING DEPARTMENT."

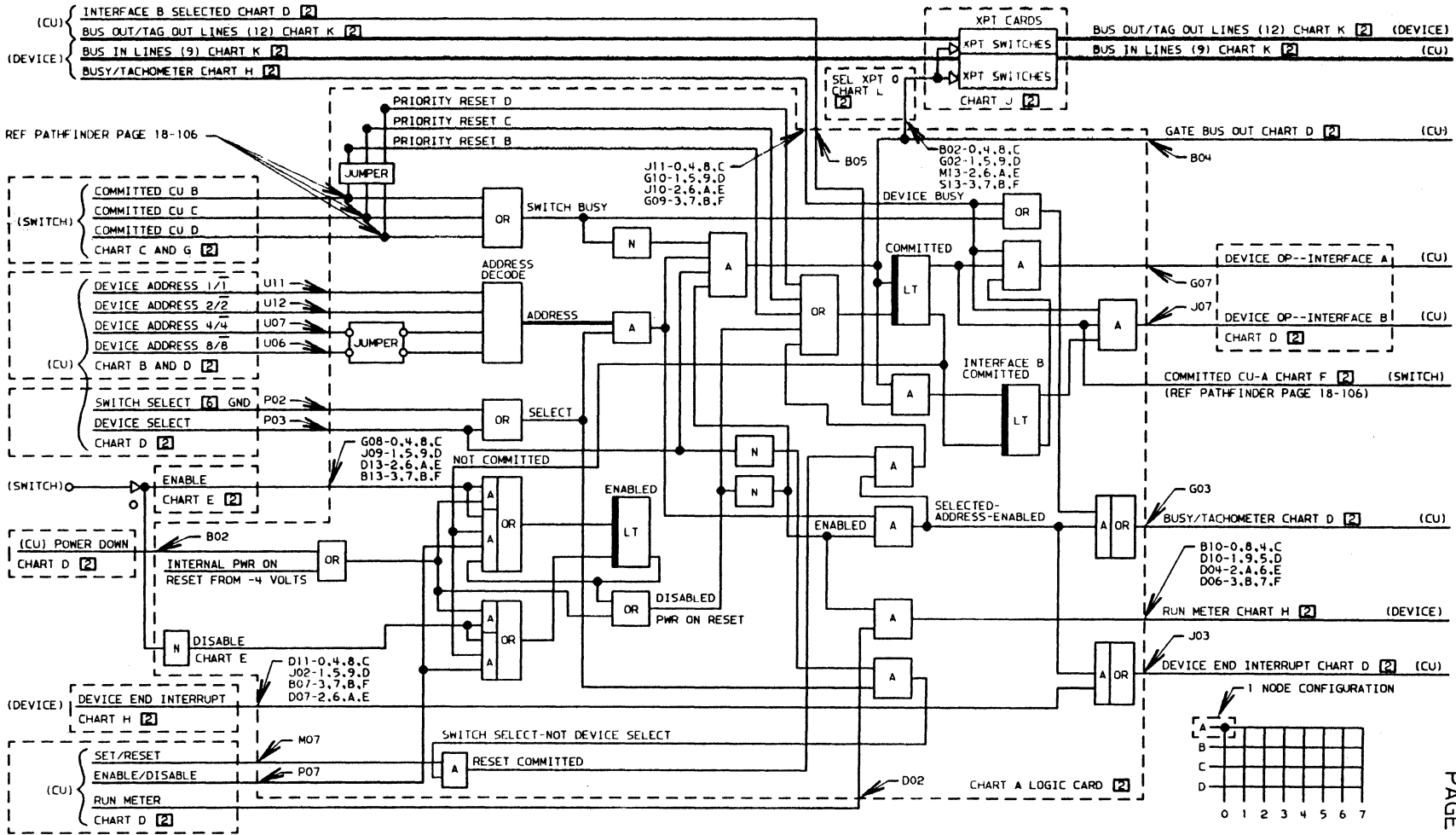


EC	SEE EC	846771	846771B						
DATE	HISTORY	11JUN82	15AUG83						



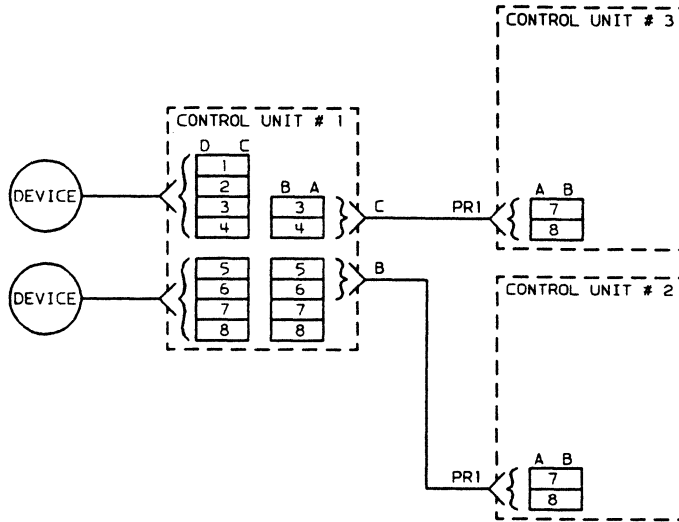
"THIS DOCUMENT IS THE PROPERTY OF IBM. ITS USE IS AUTHORIZED ONLY FOR RESPONDING TO A REQUEST FOR QUOTATION OR FOR THE PERFORMANCE OF WORK FOR IBM. ALL QUESTIONS MUST BE REFERRED TO THE IBM PURCHASING DEPARTMENT."

EC	SEE EC	846771	846771B
DATE	HISTORY	11 JUN 82	15 AUG 83

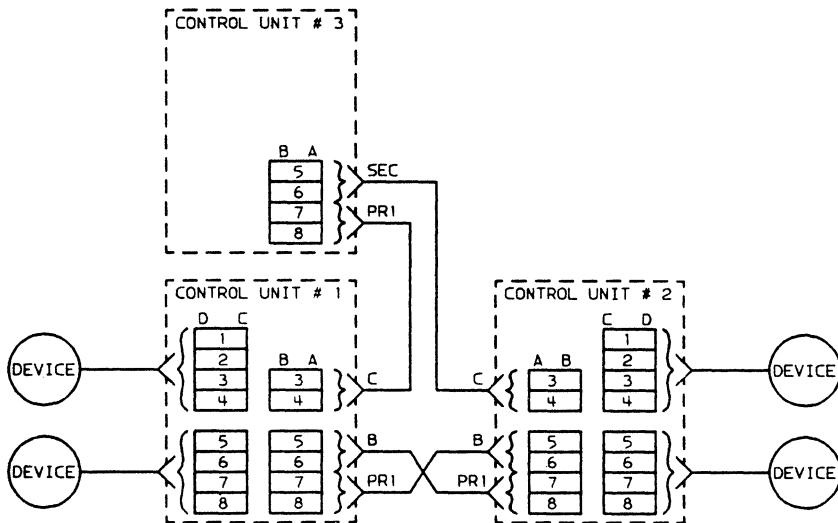


DEVICE SWITCHING

3x8 SUBSYSTEM CONFIGURATION



3x16 SUBSYSTEM CONFIGURATION

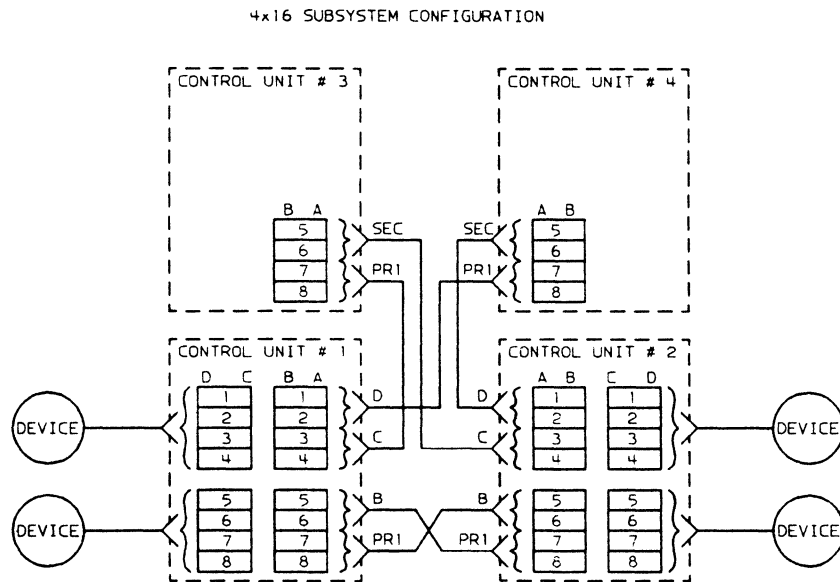
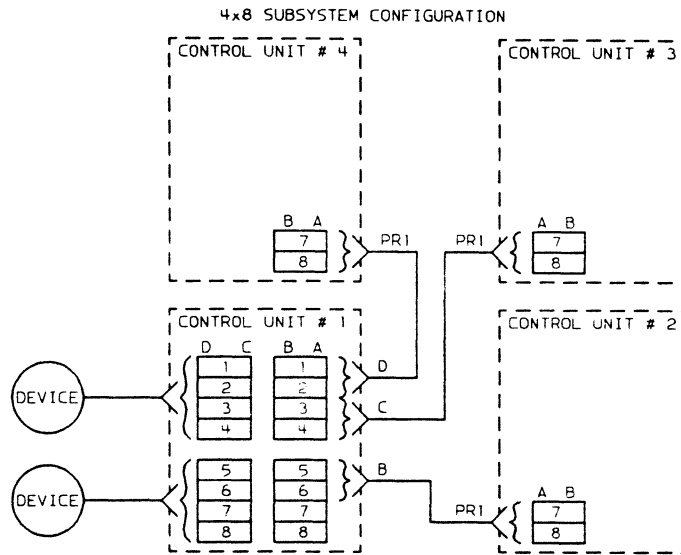


"THIS DOCUMENT IS THE PROPERTY OF IBM. ITS USE IS AUTHORIZED ONLY FOR RESPONDING TO A REQUEST FOR QUOTATION OR FOR THE PERFORMANCE OF WORK FOR IBM. ALL QUESTIONS MUST BE REFERRED TO THE IBM PURCHASING DEPARTMENT."



EC	SEE EC	846771	846771B					
DATE	HISTORY	11JUN82	15AUG83					

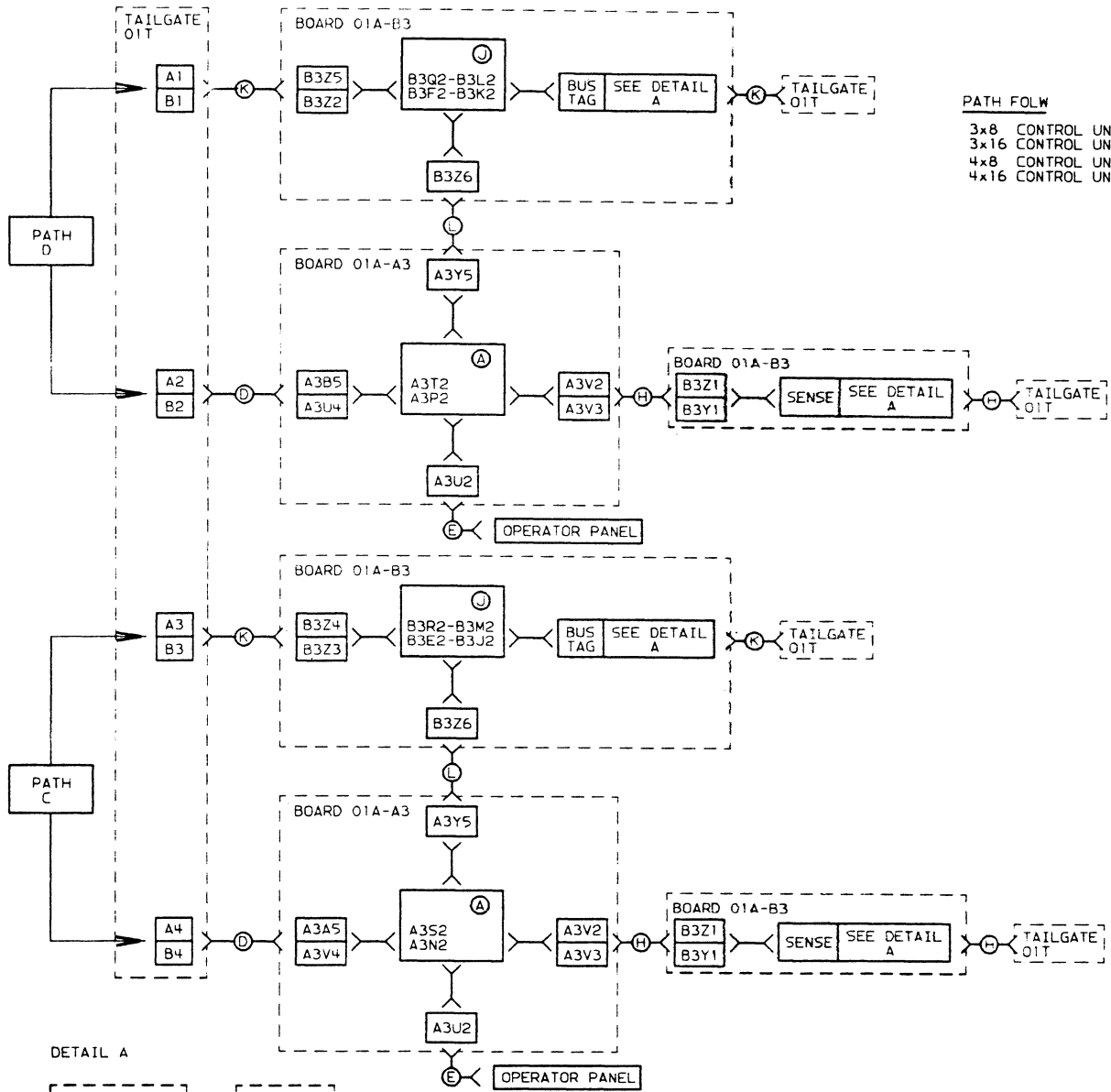
DEVICE SWITCHING



"THIS DOCUMENT IS THE PROPERTY OF IBM. ITS USE IS AUTHORIZED ONLY FOR RESPONDING TO A REQUEST FOR QUOTATION OR FOR THE PERFORMANCE OF WORK FOR IBM. ALL QUESTIONS MUST BE REFERRED TO THE IBM PURCHASING DEPARTMENT."



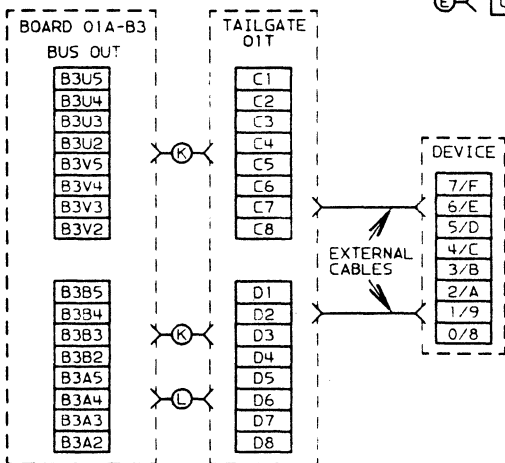
EC	SEE EC	846771	846771B				
DATE	HISTORY	11JUN82	15AUG83				



PATH FOLW

- 3x8 CONTROL UNIT # 1
- 3x16 CONTROL UNIT # 1 AND # 2
- 4x8 CONTROL UNIT # 1
- 4x16 CONTROL UNIT # 1 AND # 2

DETAIL A



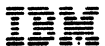
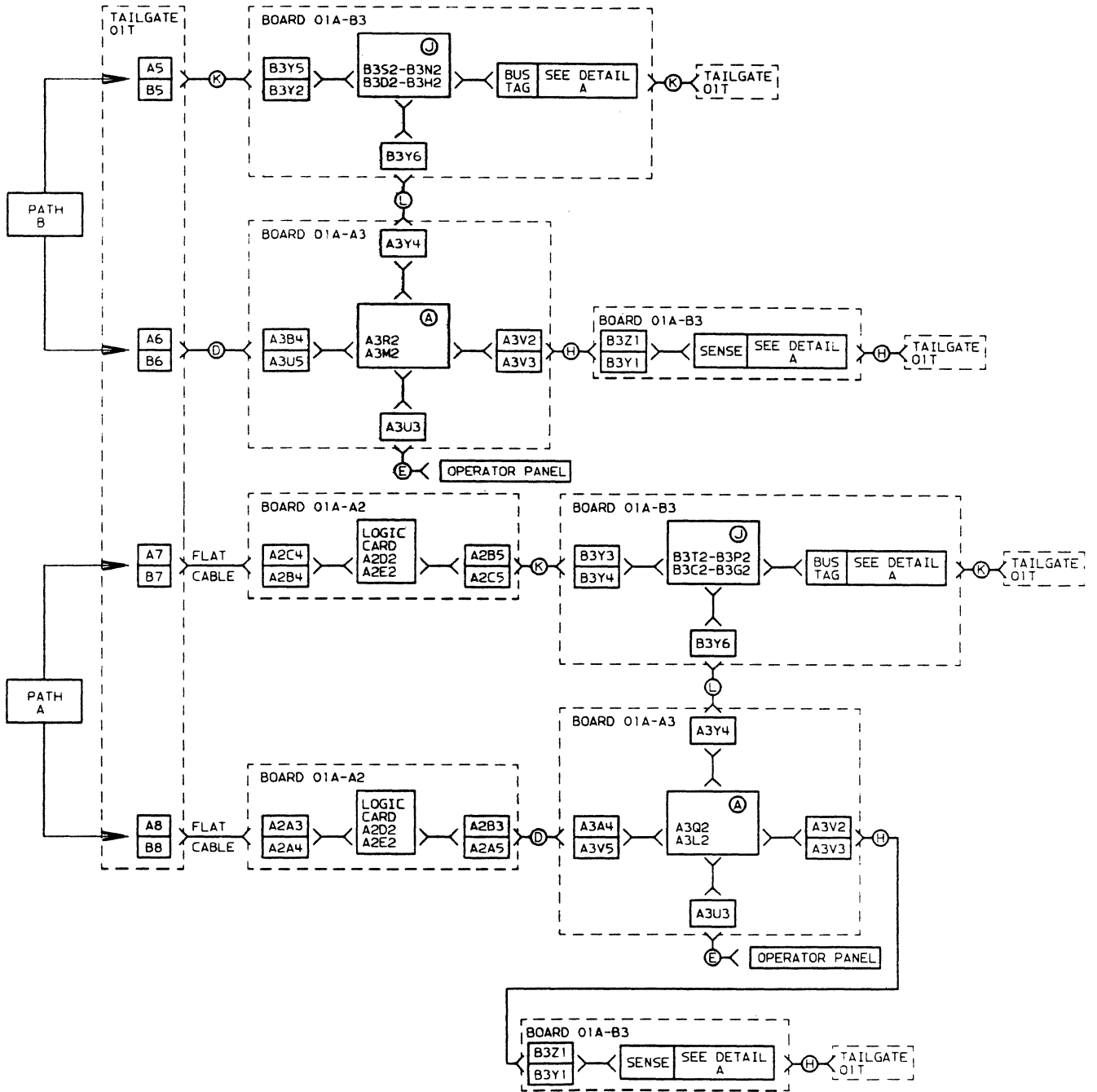
"THIS DOCUMENT IS THE PROPERTY OF IBM. ITS USE IS AUTHORIZED ONLY FOR RESPONDING TO A REQUEST FOR QUOTATION OR FOR THE PERFORMANCE OF WORK FOR IBM. ALL QUESTIONS MUST BE REFERRED TO THE IBM PURCHASING DEPARTMENT."



EC	SEE EC	846771	846771B					
DATE	HISTORY	11JUN82	15AUG83					

PATH FOLW

- 3x8 CONTROL UNIT # 1
- 3x16 CONTROL UNIT # 1 AND # 2
- 4x8 CONTROL UNIT # 1
- 4x16 CONTROL UNIT # 1 AND # 2

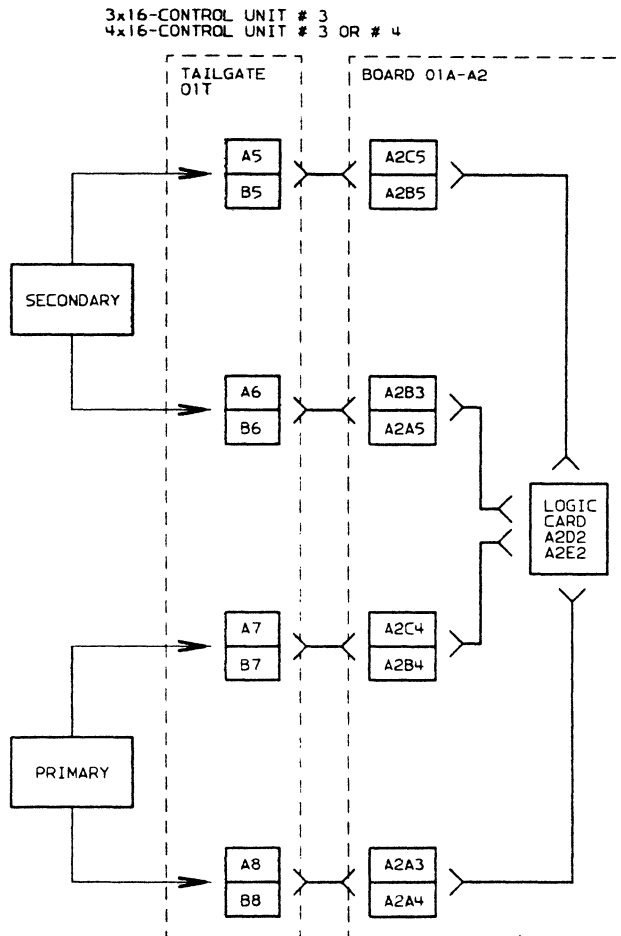
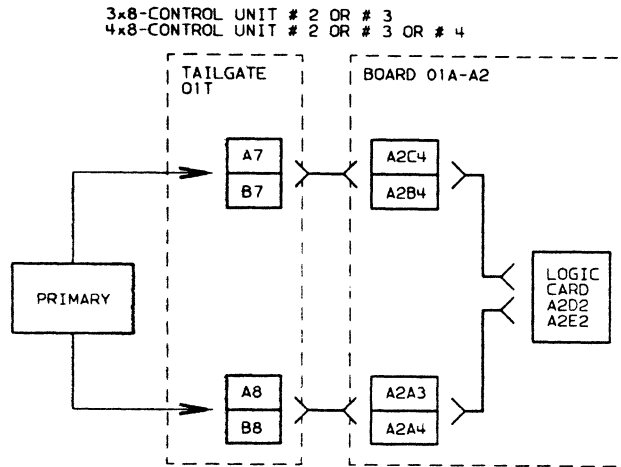


"THIS DOCUMENT IS THE PROPERTY OF IBM. ITS USE IS AUTHORIZED ONLY FOR RESPONDING TO A REQUEST FOR QUOTATION OR FOR THE PERFORMANCE OF WORK FOR IBM. ALL QUESTIONS MUST BE REFERRED TO THE IBM PURCHASING DEPARTMENT."



EC	SEE EC	846771	846771B					
DATE	HISTORY	11JUN82	15AUG83					

PATH FLOW



"THIS DOCUMENT IS THE PROPERTY OF IBM. ITS USE IS AUTHORIZED ONLY FOR RESPONDING TO A REQUEST FOR QUOTATION OR FOR THE PERFORMANCE OF WORK FOR IBM. ALL QUESTIONS MUST BE REFERRED TO THE IBM PURCHASING DEPARTMENT."

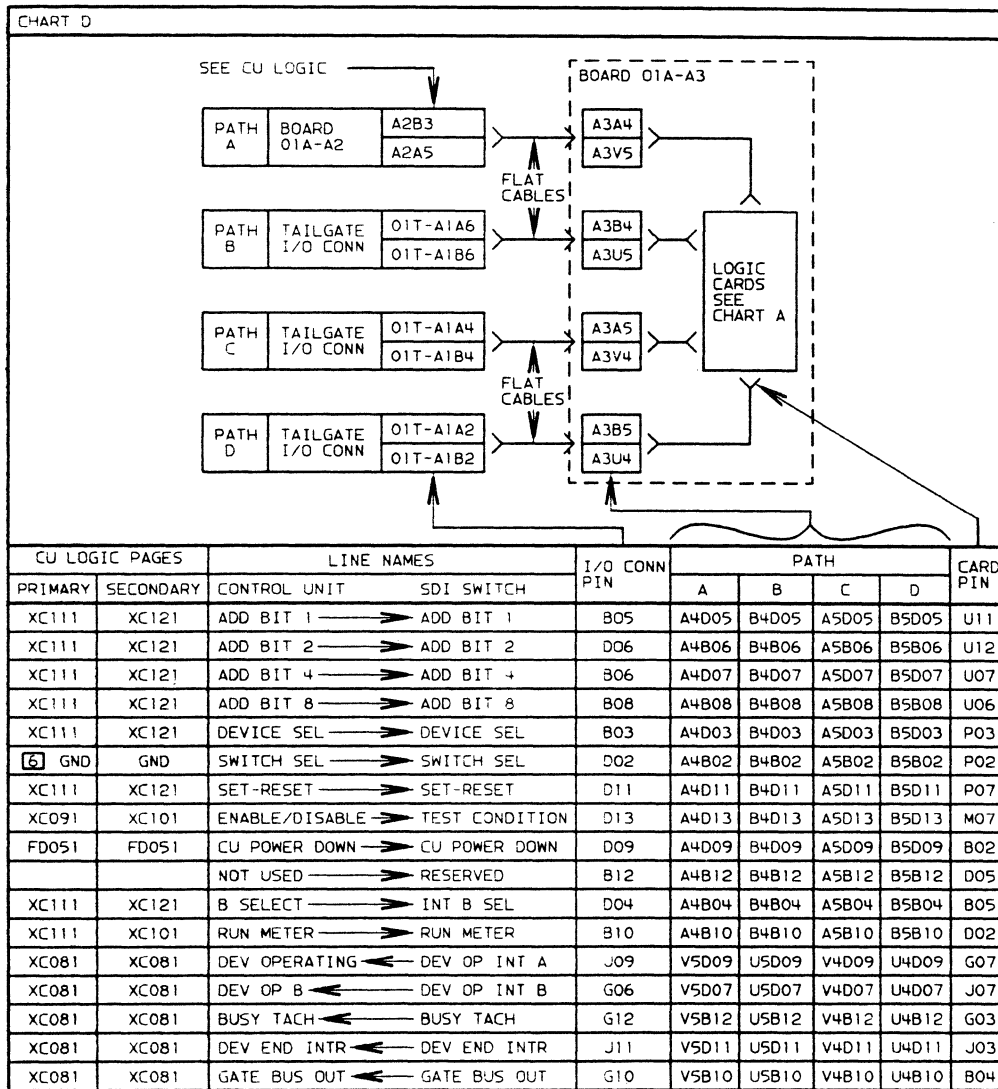


EC	SEE EC	846771	846771B					
DATE	HISTORY	11JUN82	15AUG83					

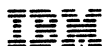
CHART A				
LOGIC CARD LOCATIONS				
DEVICE	PATH			
	A	B	C	D
0 / 8				
1 / 9	A3Q2 TYPE 6319	A3R2 TYPE 7867	A3S2 TYPE 7867	A3T2 TYPE 7867
2 / A				
3 / B				
4 / C				
5 / D	A3L2 TYPE 7866	A3M2 TYPE 7868	A3N2 TYPE 7868	A3P2 TYPE 7868
6 / E				
7 / F				

CHART B
ADDRESS JUMPER LIST
PLUG CARDS LISTED IN CHART A TO PROPER ADDRESS. REFER TO LOGIC PAGE AA010.

CHART C
CONTROL UNIT PRIORITY JUMPERS
PLUG EACH CONTROL UNIT CARD LISTED IN CHART A TO PRIORITY DESIRED. REFER TO LOGIC PAGE AA010.



LINEs CONTINUED TO DEVICE
SEE CHART H



"THIS DOCUMENT IS THE PROPERTY OF IBM. ITS USE IS AUTHORIZED ONLY FOR RESPONDING TO A REQUEST FOR QUOTATION OR FOR THE PERFORMANCE OF WORK FOR IBM. ALL QUESTIONS MUST BE REFERRED TO THE IBM PURCHASING DEPARTMENT."

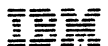
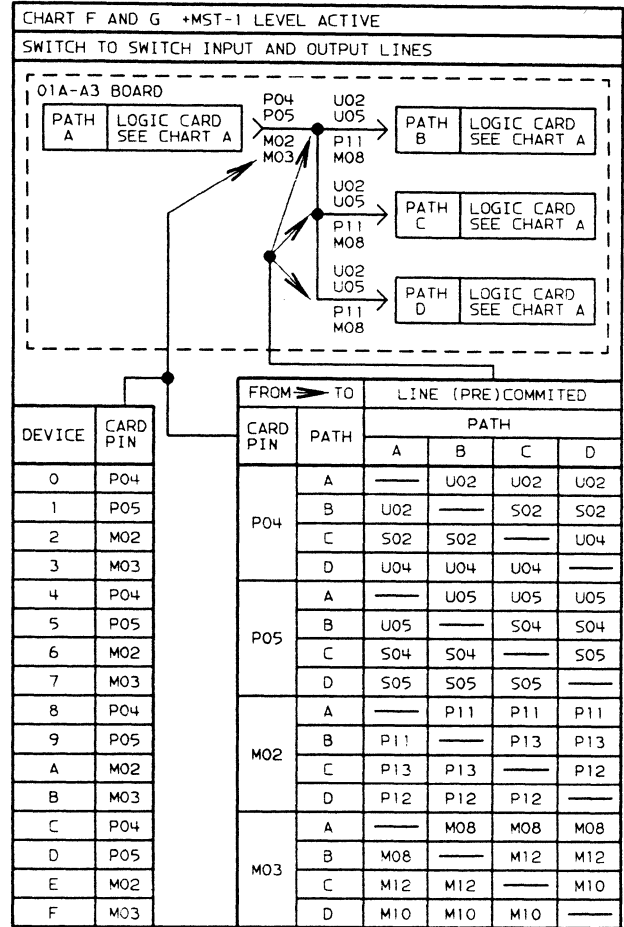


EC	SEE EC	846771	846771B					
DATE	HISTORY	11JUN82	15AUG83					

CHART E

ENABLE SWITCHES GND DISABLED

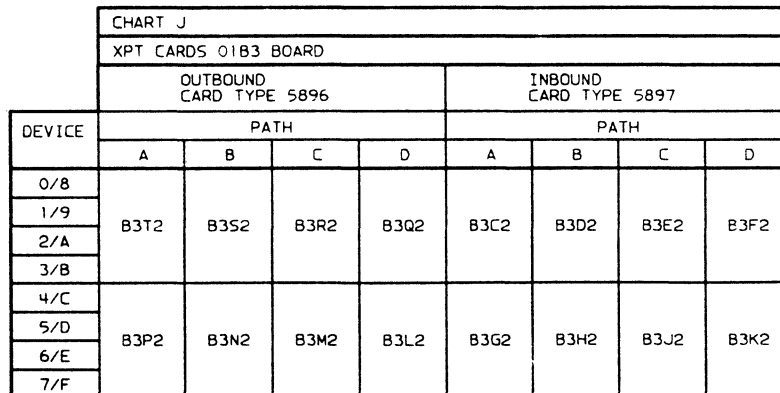
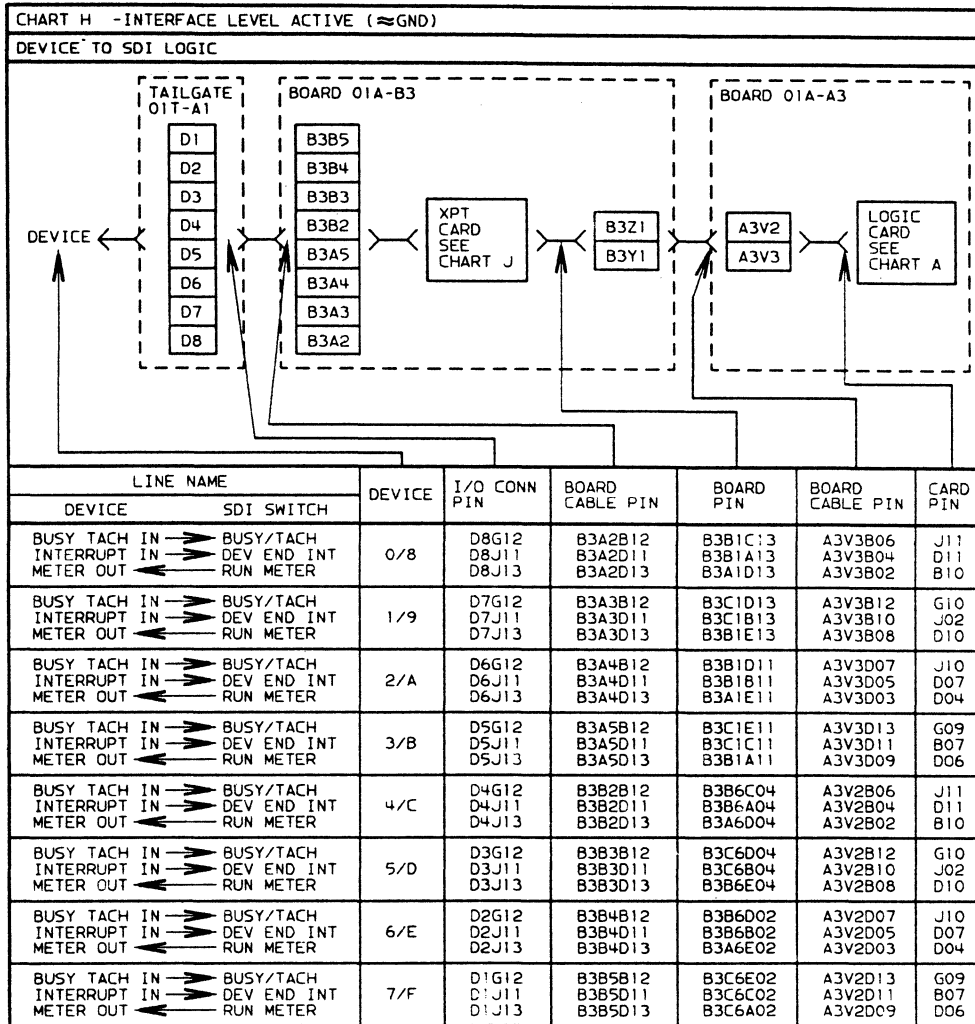
C.U.DEV	CABLE A3U3	CARD	
		PIN	LOCATION
A-0.8	D12	G08	A3Q2
A-1.9	D13	J09	A3Q2
A-2.A	D11	D13	A3Q2
A-3.B	D09	B13	A3Q2
A-4.C	D07	G08	A3L2
A-5.D	D05	J09	A3L2
A-6.E	D03	D13	A3L2
A-7.F	D02	B13	A3L2
B-0.8	B13	G08	A3R2
B-1.9	D10	J09	A3R2
B-2.A	B11	D13	A3R2
B-3.B	B09	B13	A3R2
B-4.C	B07	G08	A3M2
B-5.D	B04	J09	A3M2
B-6.E	D04	D13	A3M2
B-7.F	B02	B13	A3M2
	CABLE A3U2		
C-0.8	D12	G08	A3S2
C-1.9	D13	J09	A3S2
C-2.A	D11	D13	A3S2
C-3.B	D09	B13	A3S2
C-4.C	D07	G08	A3N2
C-5.D	D05	J09	A3N2
C-6.E	D03	D13	A3N2
C-7.F	D02	B13	A3N2
D-0.8	B13	G08	A3T2
D-1.9	D10	J09	A3T2
D-2.A	B11	D13	A3T2
D-3.B	B09	B13	A3T2
D-4.C	B07	G08	A3P2
D-5.D	B04	J09	A3P2
D-6.E	D04	D13	A3P2
D-7.F	B02	B13	A3P2



"THIS DOCUMENT IS THE PROPERTY OF IBM. ITS USE IS AUTHORIZED ONLY FOR RESPONDING TO A REQUEST FOR QUOTATION OR FOR THE PERFORMANCE OF WORK FOR IBM. ALL QUESTIONS MUST BE REFERRED TO THE IBM PURCHASING DEPARTMENT."



EC	SEE EC	846771	846771B				
DATE	HISTORY	11JUN82	15AUG83				

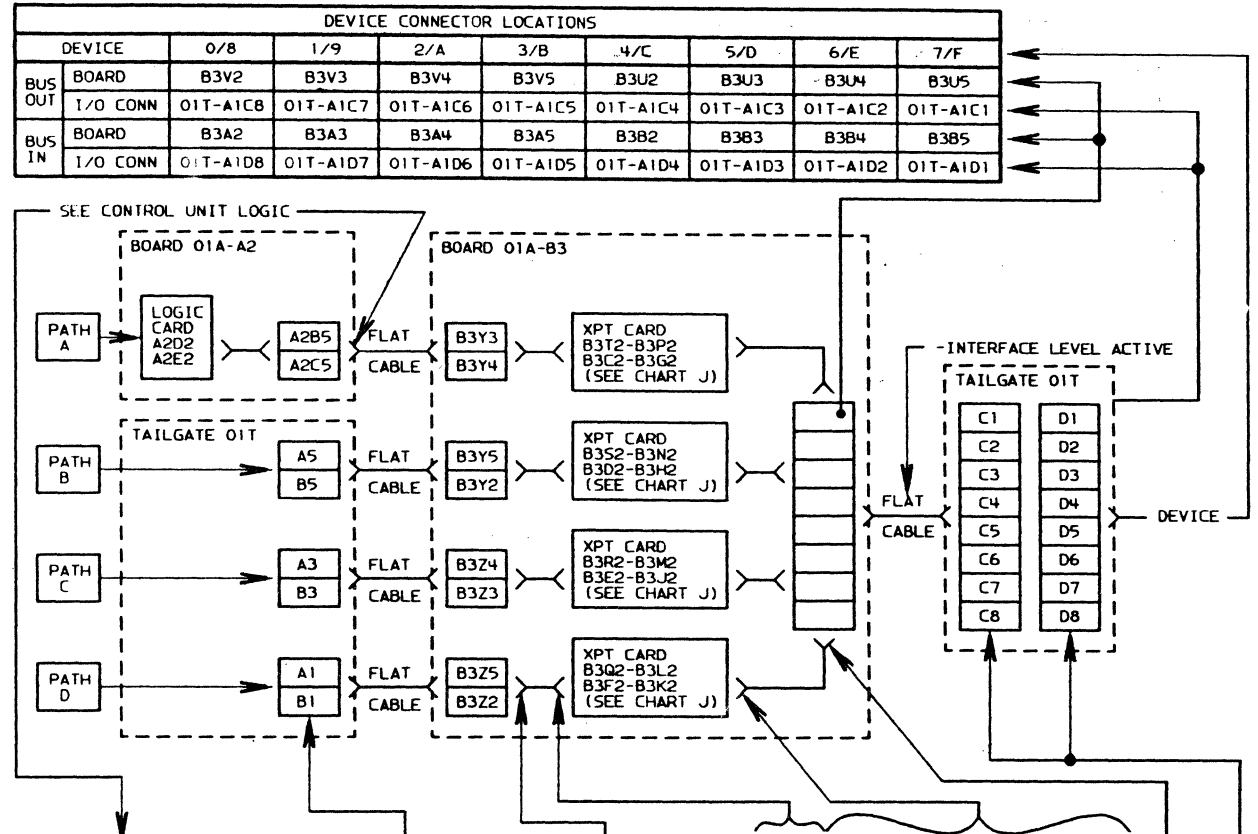


"THIS DOCUMENT IS THE PROPERTY OF IBM. ITS USE IS AUTHORIZED ONLY FOR RESPONDING TO A REQUEST FOR QUOTATION OR FOR THE PERFORMANCE OF WORK FOR IBM. ALL QUESTIONS MUST BE REFERRED TO THE IBM PURCHASING DEPARTMENT."



EC	SEE EC	846771	846771B				
DATE	HISTORY	11JUN82	15AUG83				

CHART K



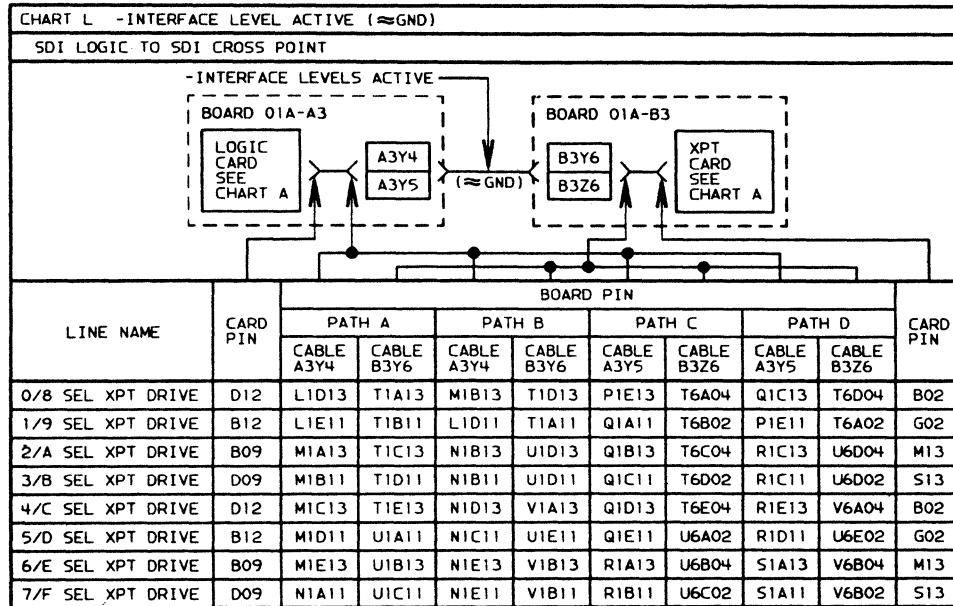
LOGIC PAGES		LINE NAME	TAILGATE I/O PIN 01T-A1A5	BOARD PIN				XPT CARD PIN SEE CHART J FOR CARD LOCATION					DEVICE BOARD PIN	DEVICE I/O PIN
PRIMARY	SECONDARY			PATH A CABLE B3Y4	PATH B CABLE B3Y2	PATH C CABLE B3Z4	PATH D CABLE B3Z2	ENTER CU	EXIT 0/8 4/C	EXIT 1/9 5/D	EXIT 2/A 6/E	EXIT 3/B 7/F		
XC091	XC101	BUS OUT 0	D02	L1D13	P1E13	L6D04	P6E04	P05	D05	J04	P03	U06	B02	D02
XC091	XC101	BUS OUT 1	B03	L1E11	Q1A11	L6E02	Q6A02	M07	B04	J07	M02	U07	D03	B03
XC091	XC101	BUS OUT 2	D04	M1A13	Q1B13	M6A04	Q6B04	P04	B03	J03	P02	S10	B04	D04
XC091	XC101	BUS OUT 3	B05	M1B11	Q1C11	M6B02	Q6C02	P06	D04	G10	M03	U10	D05	B05
XC091	XC101	BUS OUT 4	D06	M1C13	Q1D13	M6C04	Q6D04	J13	D07	J11	P09	U11	B06	D06
XC091	XC101	BUS OUT 5	B06	M1D11	Q1E11	M6D02	Q6E02	G13	D09	G07	P12	U12	D07	B06
XC091	XC101	BUS OUT 6	B08	M1E13	R1A13	M6E04	R6A04	G12	D03	G05	P10	U13	B08	B08
XC091	XC101	BUS OUT 7	D09	N1A11	R1B11	N6A02	R6B02	J12	B05	J02	P13	S12	D09	D09
XC091	XC101	BUS OUT P	B10	N1B13	R1C13	N6B04	R6C04	D13	B09	G03	M09	S08	B10	B10
XC111	XC101	TAG A CNTRL	D11	N1C11	R1D11	N6C02	R6D02	B13	B10	J05	P11	S07	D11	D11
XC111	XC121	TAG B CMND	B12	N1D13	R1E13	N6D04	R6E04	D12	D11	G04	M10	U09	B12	B12
XC111	XC121	TAG C MOVE	D13	N1E11	S1A11	N6E02	S6A02	B12	D10	J06	M12	S09	D13	D13
				CABLE B3Y3	CABLE B3Y2	CABLE B3Z3	CABLE B3Z2	EXIT	ENTER	ENTER	ENTER	ENTER		
				CABLE B3Y3	CABLE B3Y2	CABLE B3Z3	CABLE B3Z2	EXIT	ENTER	ENTER	ENTER	ENTER		
XC081	XC081	BUS IN 0	J02	H1A13	D1E13	H6A04	D6E04	P05	D05	J04	P03	U06	B02	J02
XC081	XC081	BUS IN 1	G03	H1B11	E1A11	H6B02	E6A02	M07	B04	J07	M02	U07	D03	G03
XC081	XC081	BUS IN 2	J04	H1C13	E1B13	H6C04	E6B04	P04	B03	J03	P02	S10	B04	J04
XC081	XC081	BUS IN 3	G05	H1D11	E1C11	H6D02	E6C02	P06	D04	G10	M03	U10	D05	G05
XC081	XC081	BUS IN 4	J06	H1E13	E1D13	H6E04	E6D04	J13	D07	J11	P09	U11	B06	J06
XC081	XC081	BUS IN 5	G06	J1A11	E1E11	J6A02	E6E02	G13	D09	G07	P12	U12	D07	G06
XC081	XC081	BUS IN 6	G08	J1B13	F1A13	J6B04	F6A04	G12	D03	G05	P10	U13	B08	G08
XC081	XC081	BUS IN 7	J09	J1C11	F1B11	J6C02	F6B02	J12	B05	J02	P13	S12	D09	J09
XC081	XC081	BUS IN P	G10	J1D13	F1C13	J6D04	F6C04	D13	B09	G03	M09	S08	B10	G10



"THIS DOCUMENT IS THE PROPERTY OF IBM. ITS USE IS AUTHORIZED ONLY FOR RESPONDING TO A REQUEST FOR QUOTATION OR FOR THE PERFORMANCE OF WORK FOR IBM. ALL QUESTIONS MUST BE REFERRED TO THE IBM PURCHASING DEPARTMENT."



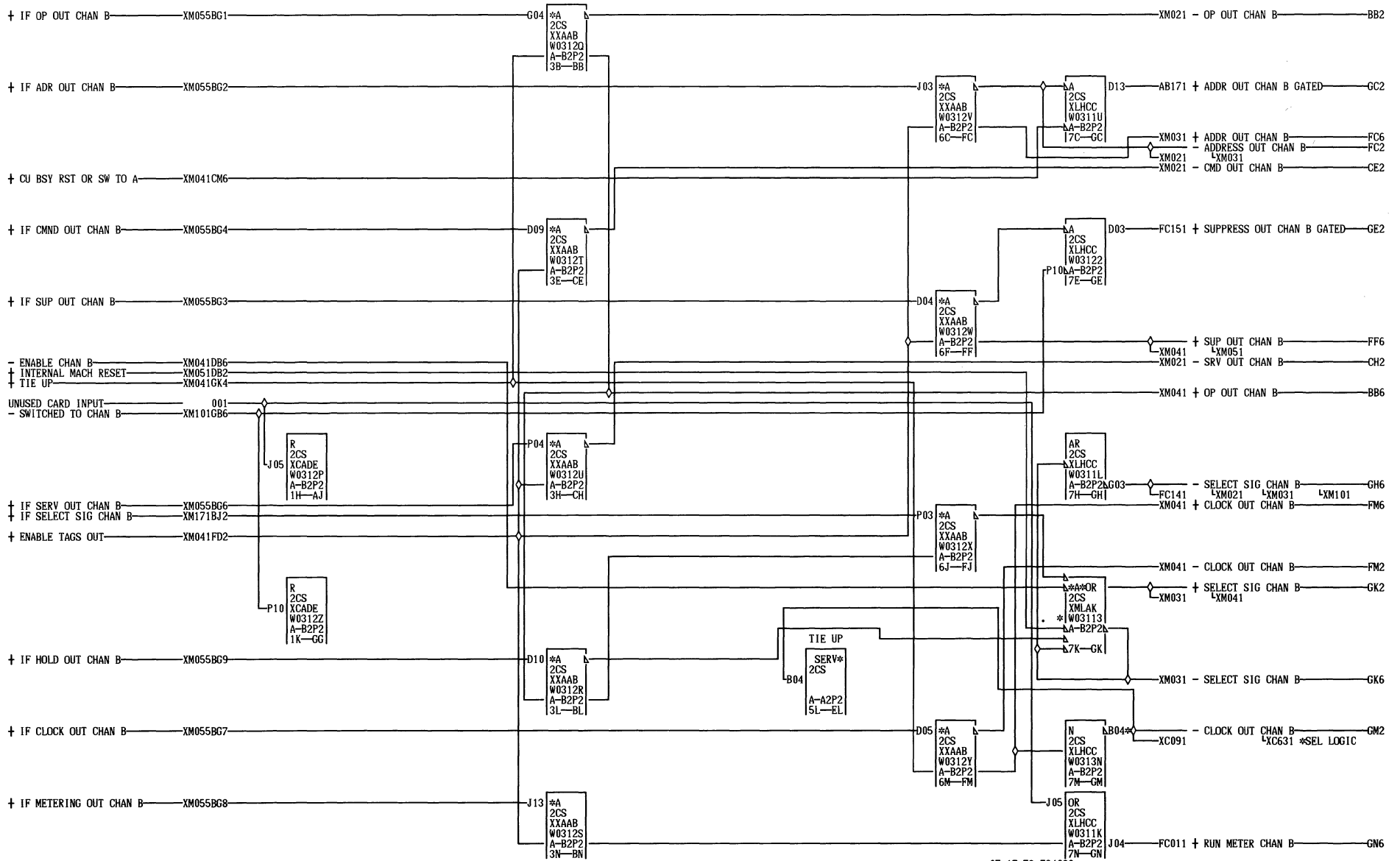
EC	SEE EC	846771	846771B						
DATE	HISTORY	11JUN82	15AUG83						



"THIS DOCUMENT IS THE PROPERTY OF IBM. ITS USE IS AUTHORIZED ONLY FOR RESPONDING TO A REQUEST FOR QUOTATION OR FOR THE PERFORMANCE OF WORK FOR IBM. ALL QUESTIONS MUST BE REFERRED TO THE IBM PURCHASING DEPARTMENT."



EC	SEE EC	846771	846771B					
DATE	HISTORY	11JUN82	15AUG83					

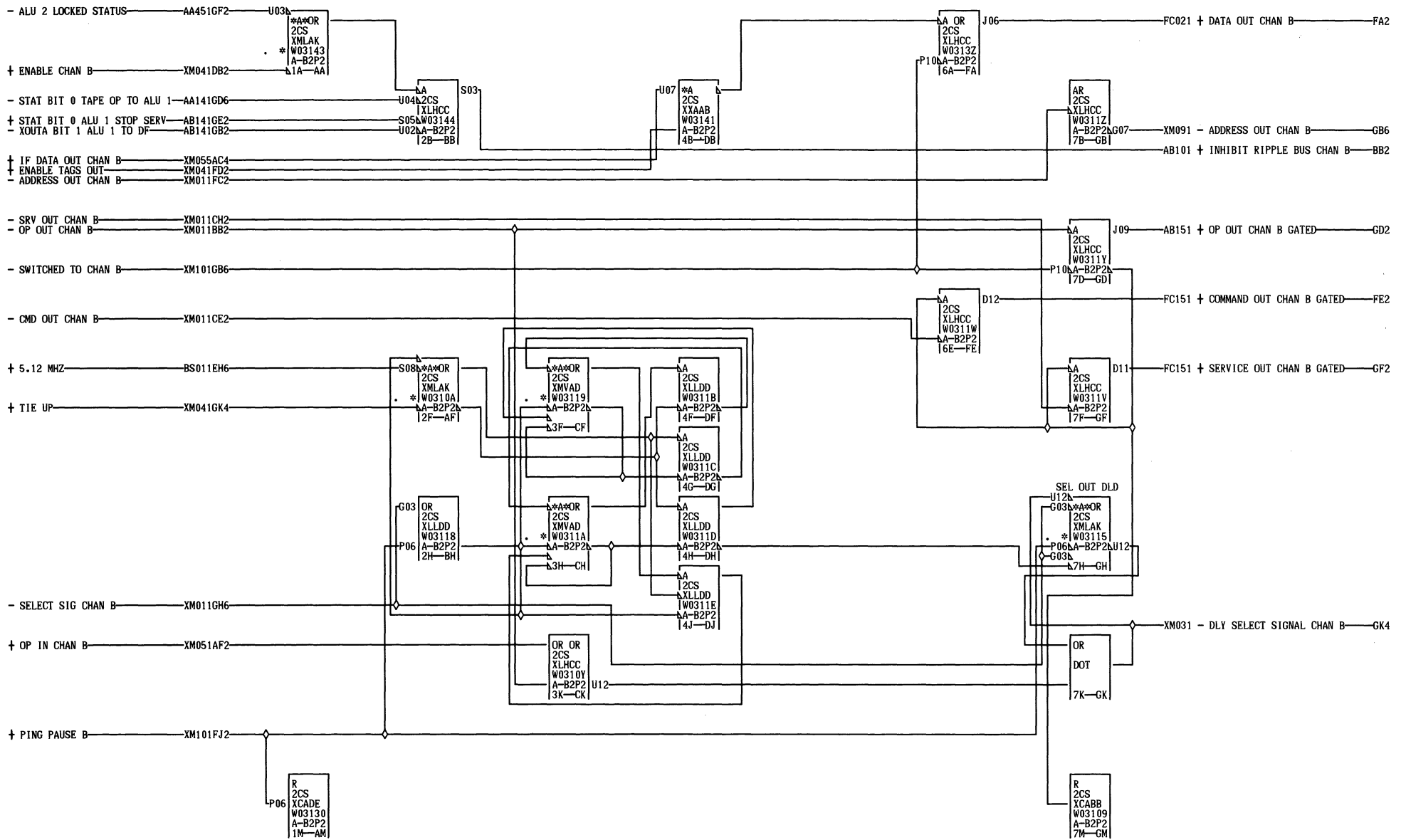


GM2 A-B2A2B06
01A-A2V2B06

07-17-73 734098
03-16-82 846498

OUT TAGS CONVERSION			
DATE	04-24-82	MACH.	3803-2
LOG	1861	FRAME	01
		P.N.	2736470
IBM CORP.	CO	BLK.	GP

X
M
0
1
1
000

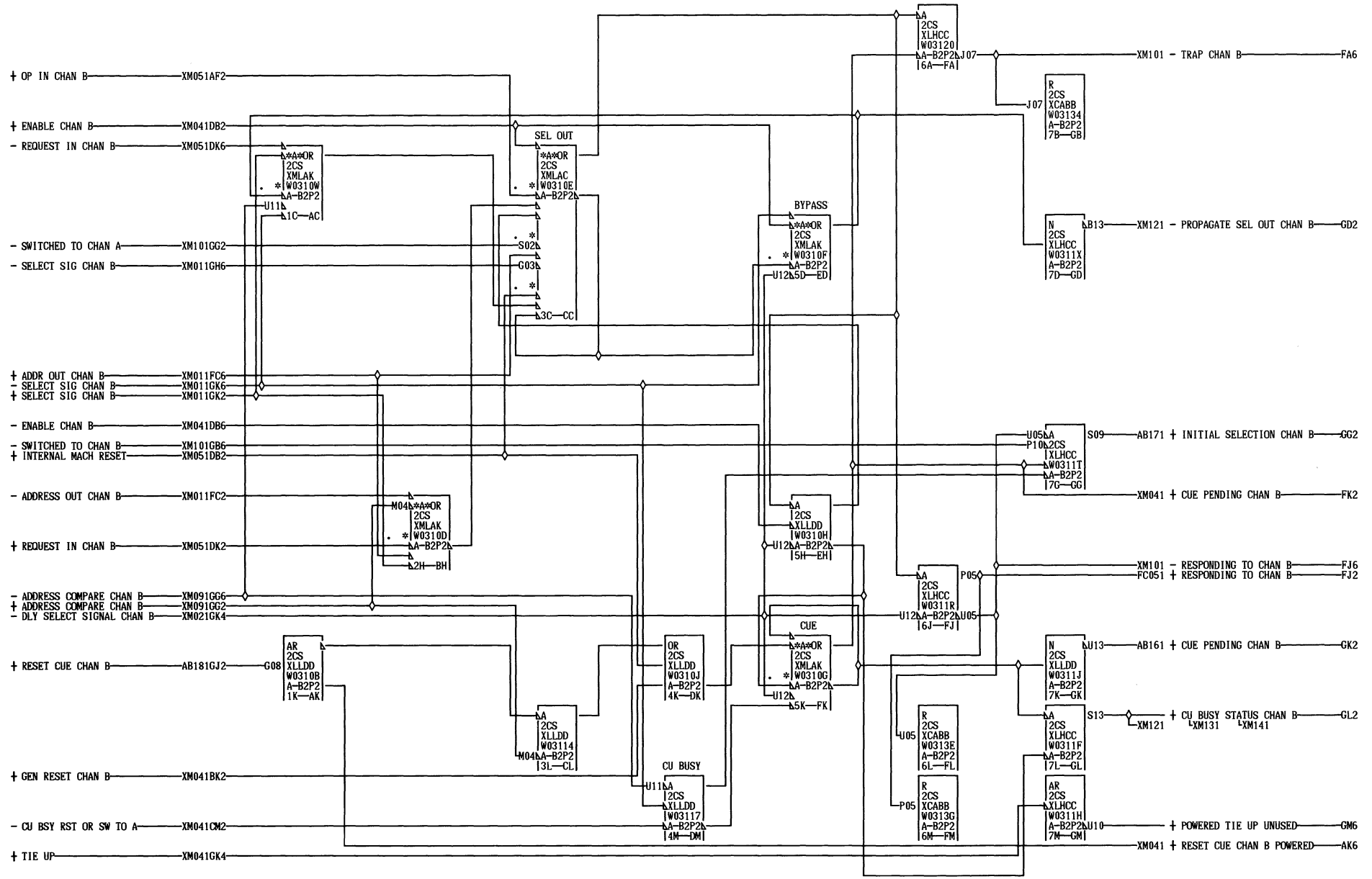


XM021

07-17-73 734098
03-18-74 736699

OUT TAGS SELECT OUT DELAY			
DATE	03-21-74	MACH.	3803-2
LOG	0J20	FRAME	01
		P.N.	2736471
IBM CORP.	CO	BLK.	GN

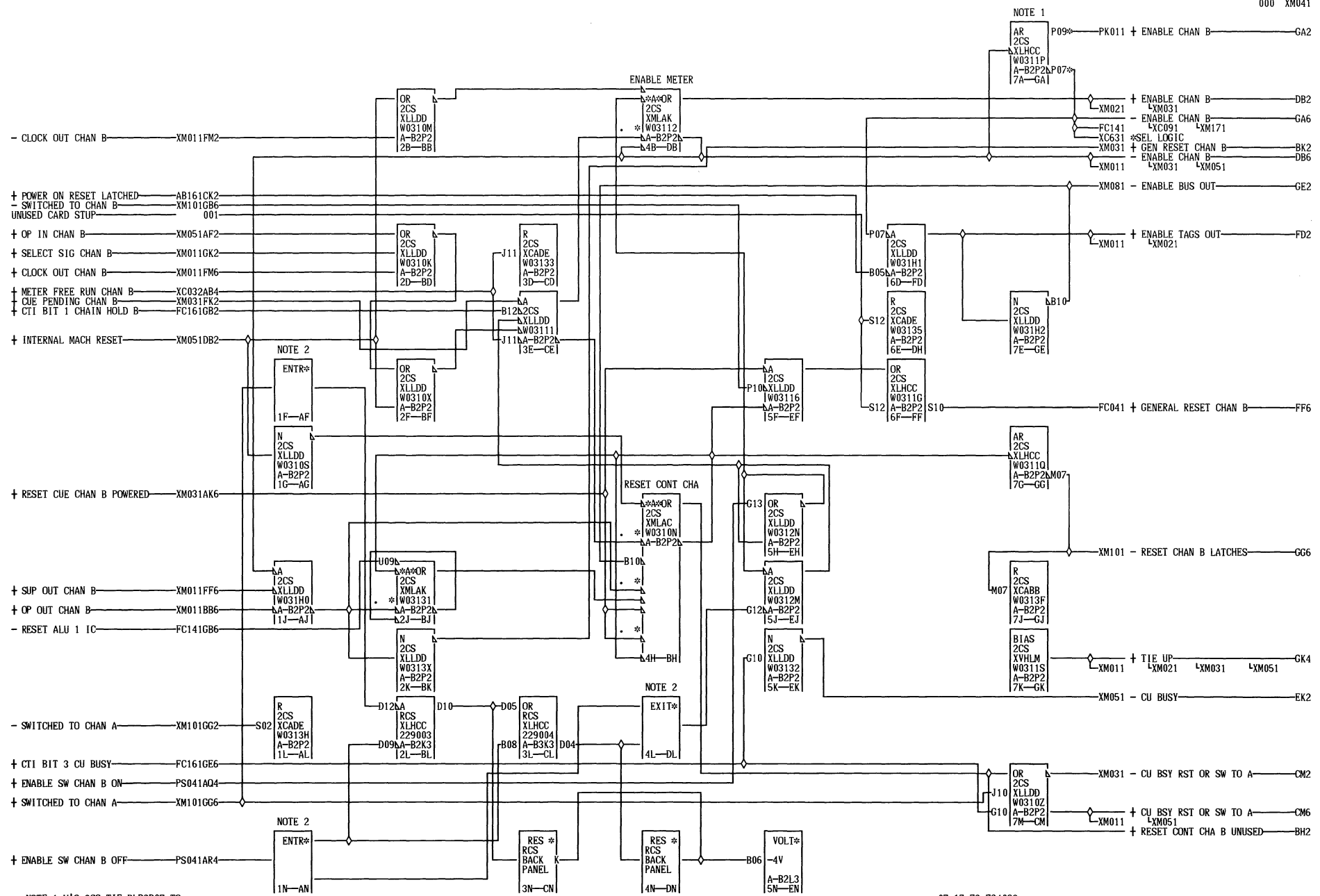
XM021



07-17-73 734098
03-16-82 846498

SELECT OUT BYPASS				X
DATE	04-24-82	MACH.	3803-2	0
LOG	1861	FRAME	01	3
		P.N.	2736472	1
IBM CORP.	CO	BLK.	GN	000

X
N
0
3
1
000

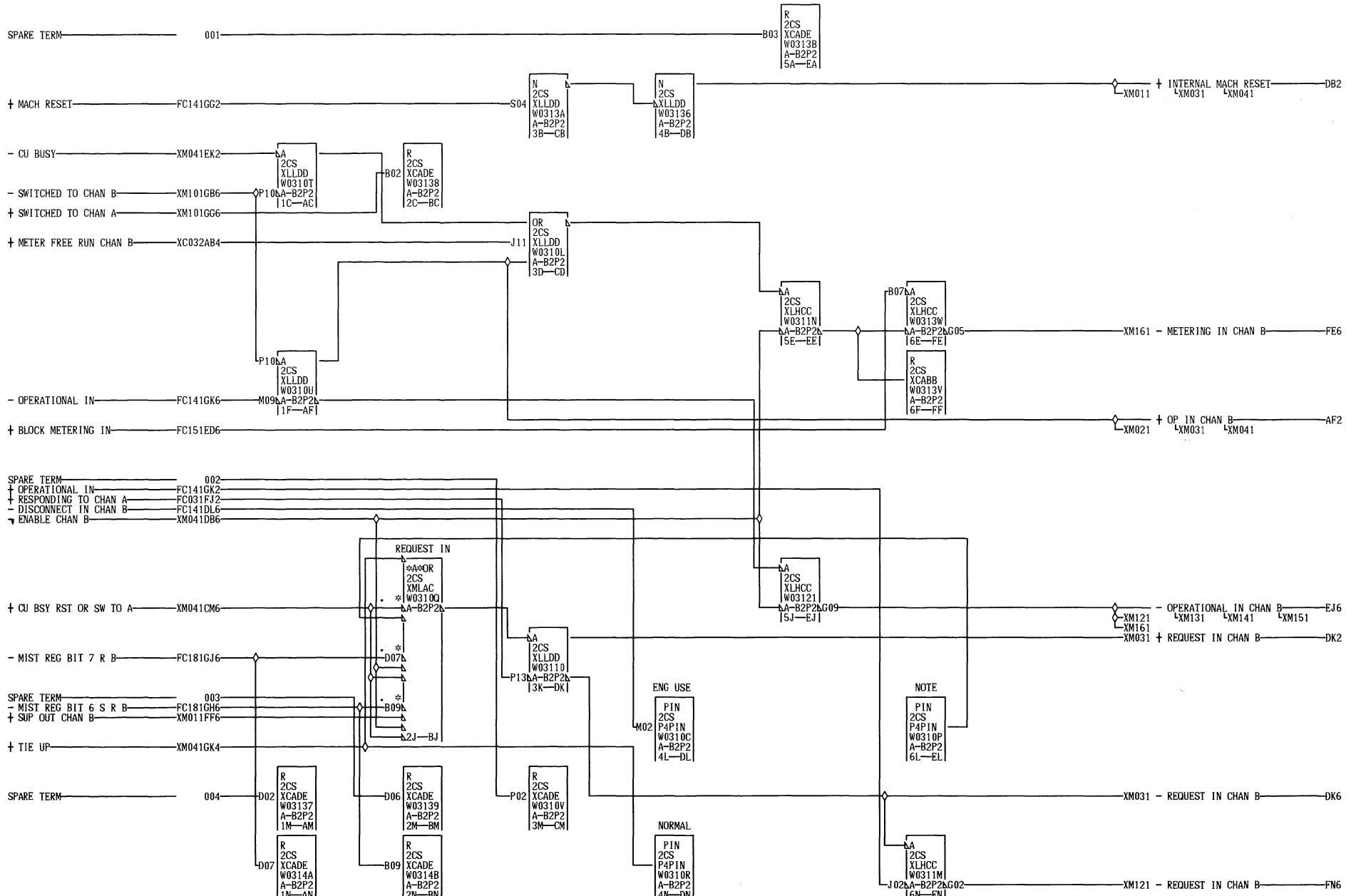


NOTE 1 W/O 2CS TIE BLP2P07 TO J08 WITH RES 2520936
 X NOTE 2 ENABLE SW CHAN B W OFF DIRECTLY CONN TO B2P2612.
 0 W/O RCS FEATURE INSTALLED.
 4 WITH RCS FEAT THE WIRING
 1 IS INSTALLED.

GA2 A-B2A2B04
 01A-A2V2B04
 01A-A2B2B10
 01A-A1ASB10
 GA6 A-B2BSB04
 01A-A2USB04

07-17-73 734098

METERING			
DATE	08-18-81	MACH.	3803-2
LOG	0016	FRAME	01
		P.N.	2736473
IBM CORP.	CO	BLK.	GL



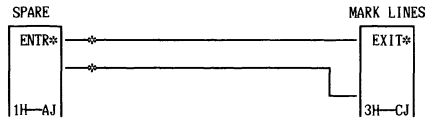
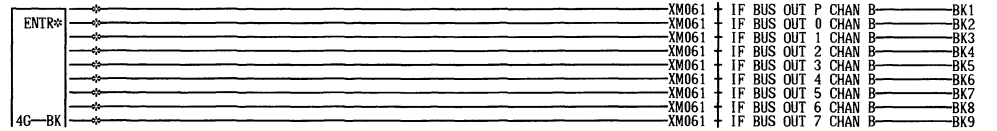
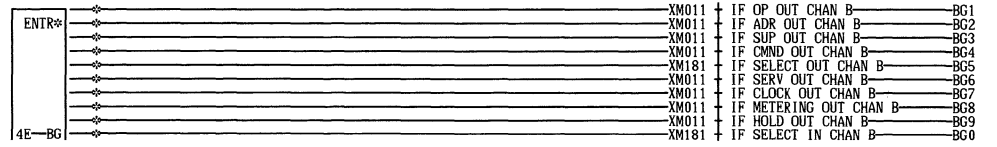
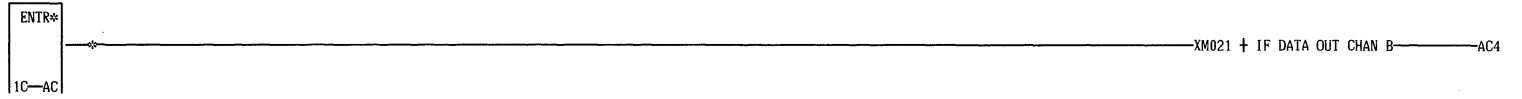
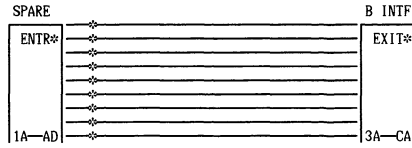
07-17-73 734098

* JUMPER DL-EL FOR ENG USE
* JUMPER DN-EL FOR NORMAL

X
M
0
5
1
000

INTAGS			
DATE	08-18-81	MACH.	3803-2
LOG	0016	FRAME	01
		P.N.	2736474
IBM CORP.	CO	BLK.	GM

X
M
0
5
1
000

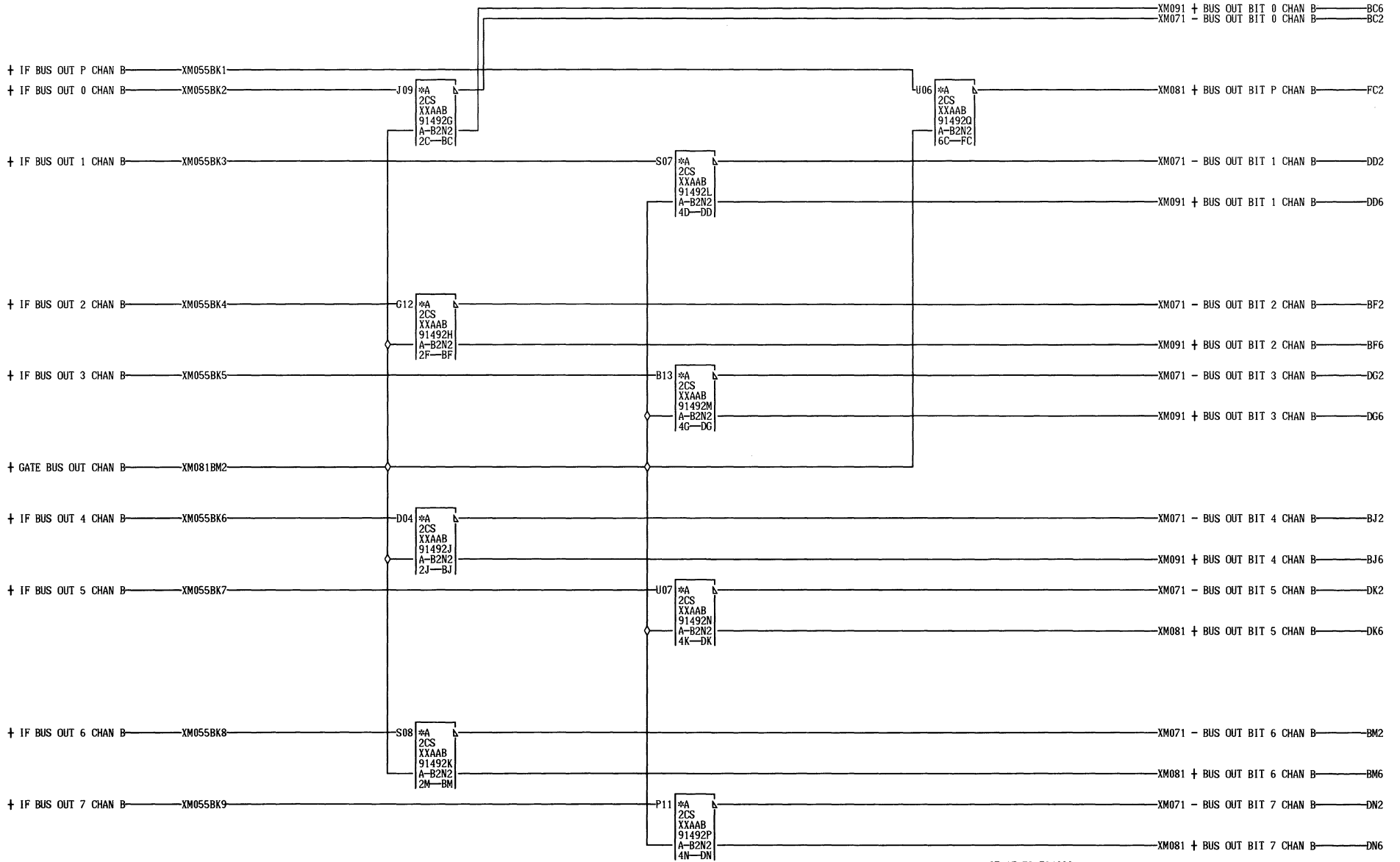


AC4 S-A1A8G10	AD3 S-A1A8J02	AD6 S-A1A6G06	AD9 S-A1A6J02	BG0 A-B2U4B08	01A-B2V6A04	BG7 S-A1A8G03	BK1 S-A1A5B03	BK4 S-A1A5D06	BK7 S-A1A5B10
01A-B2R6C04	01A-B2P6E04	01A-B2U1A11	01A-B2T1A13	01S-A1B7B08	01S-A1A7B12	01A-B2Q6A02	01A-B2Q1A11	01A-B2Q1D13	01A-B2R1C13
01A-B2T5B10	01A-B2T5B02	01A-B2U3D07	01A-B2U3B02	BG1 S-A1A8J13	BG4 S-A1B7D11	01A-B2T5D03	01A-B2T2D03	01A-B2T2B06	01A-B2T2B10
01S-A1B8B10	01S-A1B8J02	01S-A1B6C06	01S-A1B6J02	01A-B2S6A02	01A-B2U4D11	01S-A1B8B03	01S-A1B5B03	01S-A1B5D06	01S-A1B5B10
AD1 S-A1A7D02	AD4 S-A1A8G06	AD7 S-A1A5D02	AJ2 S-A1A6J13	01A-B2T5D13	01A-B2U6E02	BG8 S-A1A8J04	BK2 S-A1A5D04	BK5 S-A1A5B08	BK8 S-A1A5D11
01A-B2T6A04	01A-B2Q6E02	01A-B2P1E13	01A-B2V1B11	01S-A1B8J13	01S-A1A7D11	01A-B2Q6B04	01A-B2Q1B13	01A-B2R1A13	01A-B2R1D11
01A-B2U4B02	01A-B2T5D07	01A-B2T2B02	01A-B2U3D13	BG2 S-A1B7B10	BG5 A-B2U6C02	01A-B2T5B04	01A-B2T2B04	01A-B2T2B08	01A-B2T2D11
01S-A1B7D02	01S-A1B8G06	01S-A1B5D02	01S-A1B6J13	01A-B2U4B10	01S-A1A7D09	01S-A1B8J04	01S-A1B5D04	01S-A1B5B08	01S-A1B5D11
AD2 S-A1A7B06	AD5 S-A1A8J09	AD8 S-A1A5B06	AJ4 S-A1A5D13	01A-B2U6D04	BG6 S-A1B7D13	BG9 S-A1A8G12	BK3 S-A1A5B05	BK6 S-A1A5D09	BK9 S-A1A5B12
01A-B2U6A02	01A-B2R6B02	01A-B2Q1E11	01A-B2S1A11	01S-A1A7B10	01A-B2U4D13	01A-B2R6E04	01A-B2Q1C11	01A-B2R1B11	01A-B2R1E13
01A-B2U4D07	01A-B2T5D09	01A-B2T2D07	01A-B2T2D13	BK3 S-A1B7B12	01A-B2V6B02	01A-B2T5B12	01A-B2T2D05	01A-B2T2D09	01A-B2T2B12
01S-A1B7B06	01S-A1B8J09	01S-A1B5B06	01S-A1B5D13	01A-B2U4B12	01S-A1A7D13	01S-A1B8G12	01S-A1B5B05	01S-A1B5D09	01S-A1B5B12

ENTRY PAGE			
DATE	08-18-81	MACH.	3803-2
LOG	0016	FRAME	01
		P.N.	2736475
IBM CORP.	SDD	BLK.	CK

X
M
O
S
S

X
M
O
S
S

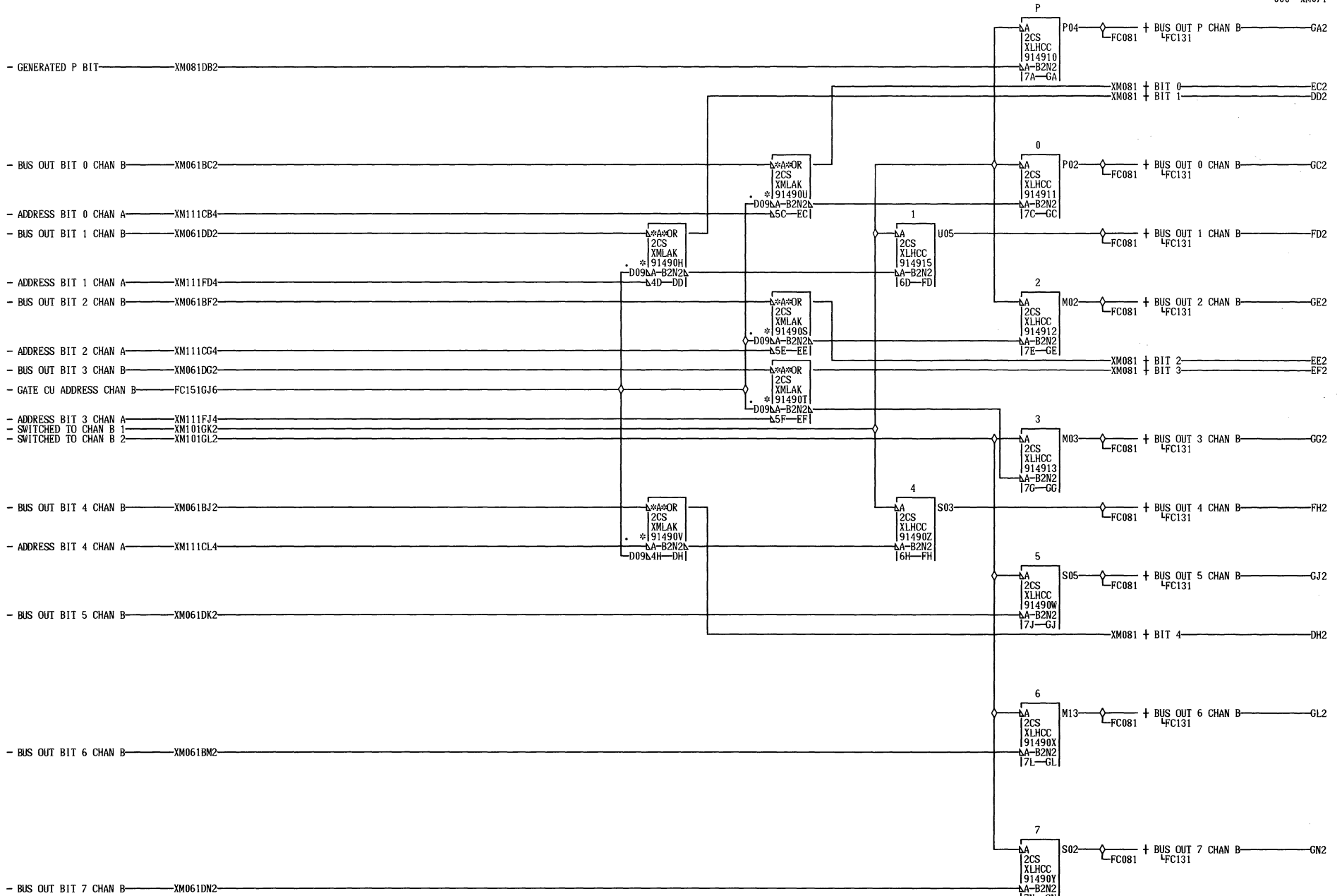


07-17-73 734098

X
M
0
6
1

000

CONVERTERS BUS OUT CHAN B				X
DATE	08-18-81	MACH.	3803-2	M
LOC	0016	FRAME	01	6
		P.N.	2736476	1
IBM CORP.	SDD	BLK.	FD	000

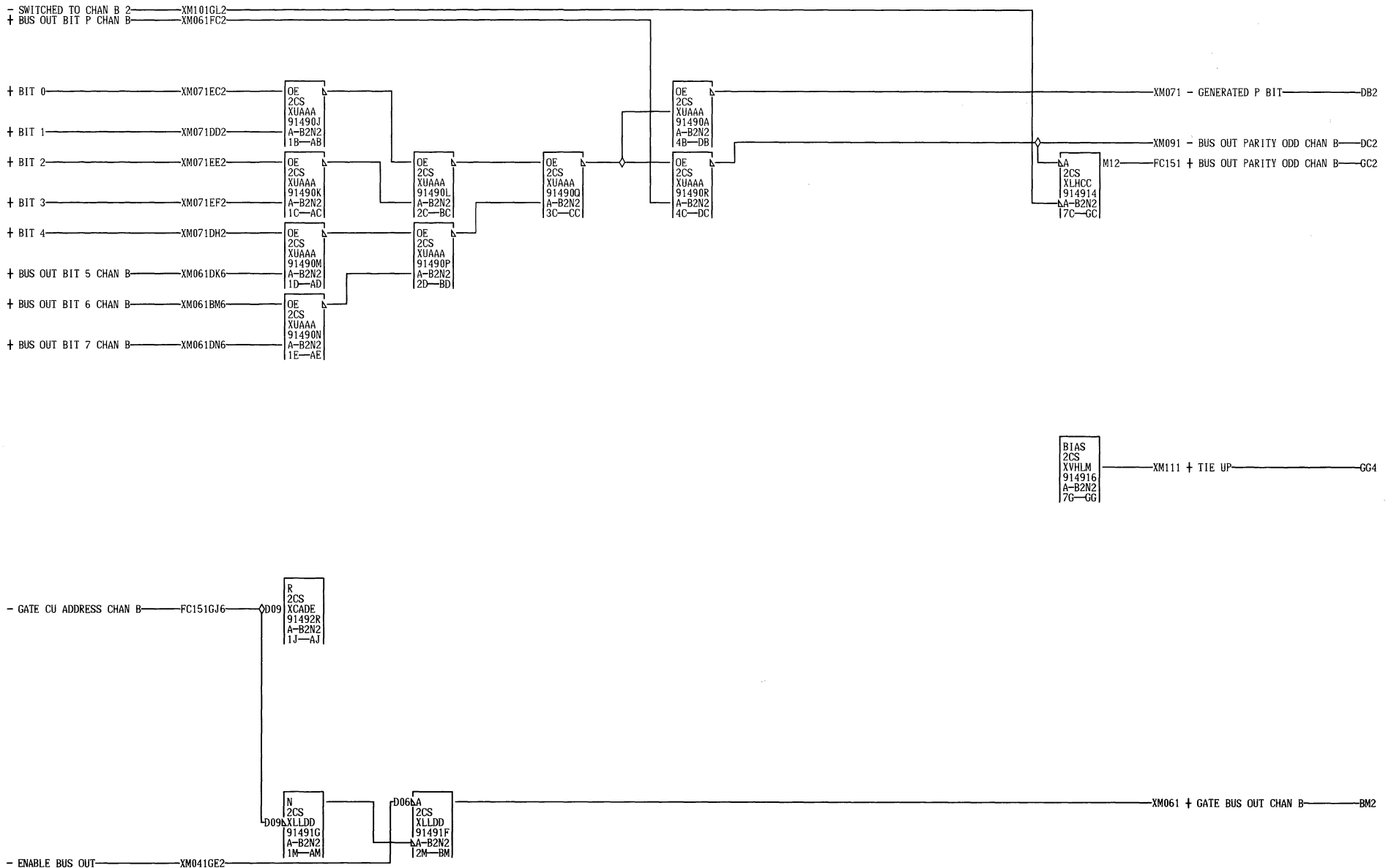


07-17-73 734098

X
M
0
7
1
000

BUS OUT GATING CHANNEL B		
ADDRESS EMIT		
DATE	08-18-81	MACH. 3803-2
LOG	0016 FRAME	01
P.N. 2736477		
IBM CORP.	SDD BLK.	GP

X
M
0
7
1
000

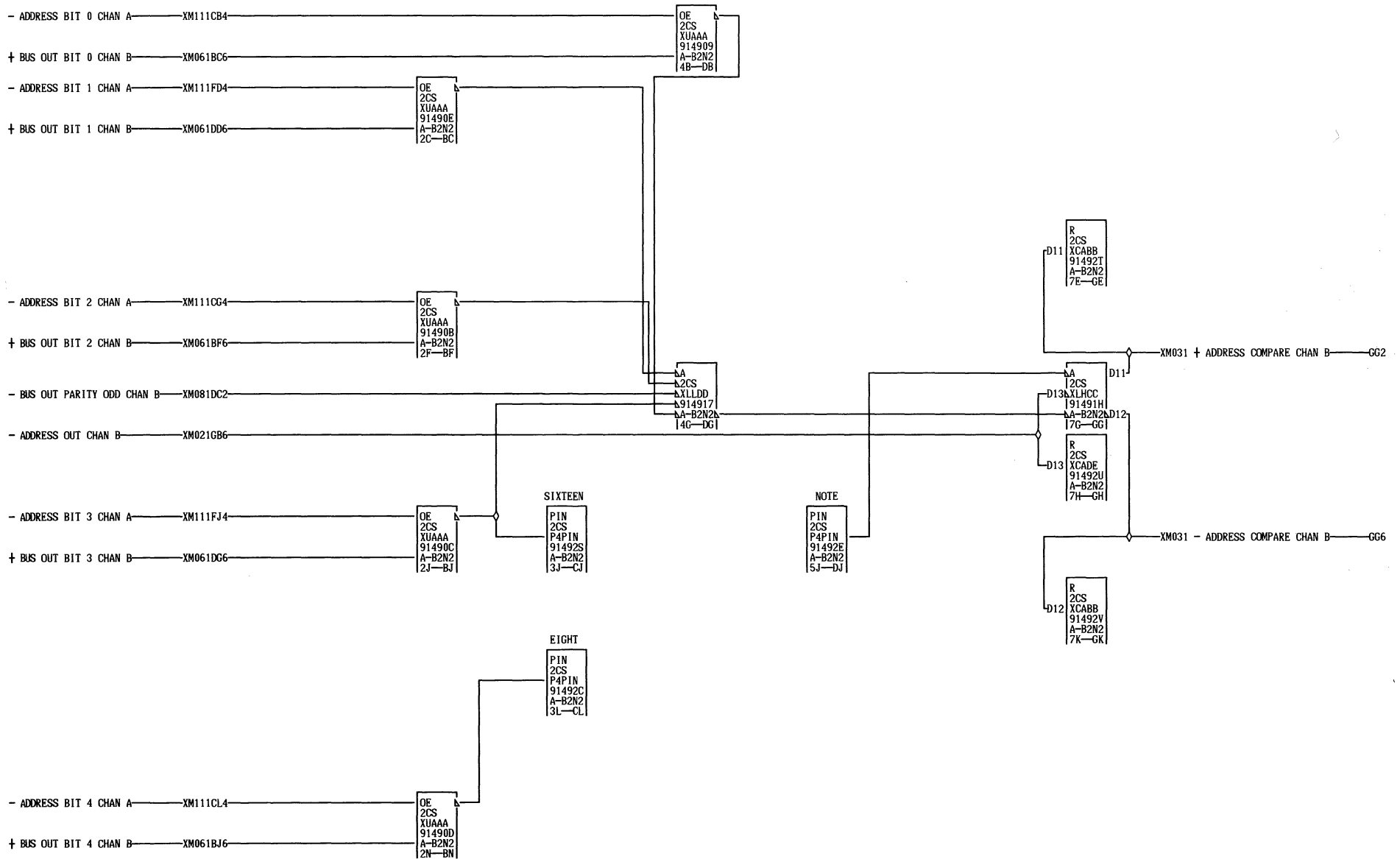


X
M
0
8
1
000

07-17-73 734098

BUS OUT CHECK			
DATE	08-18-81	MACH.	3803-2
LOG	0016	FRAME	01
		P.N.	2736478
IBM CORP.	SDD	BLK.	GP

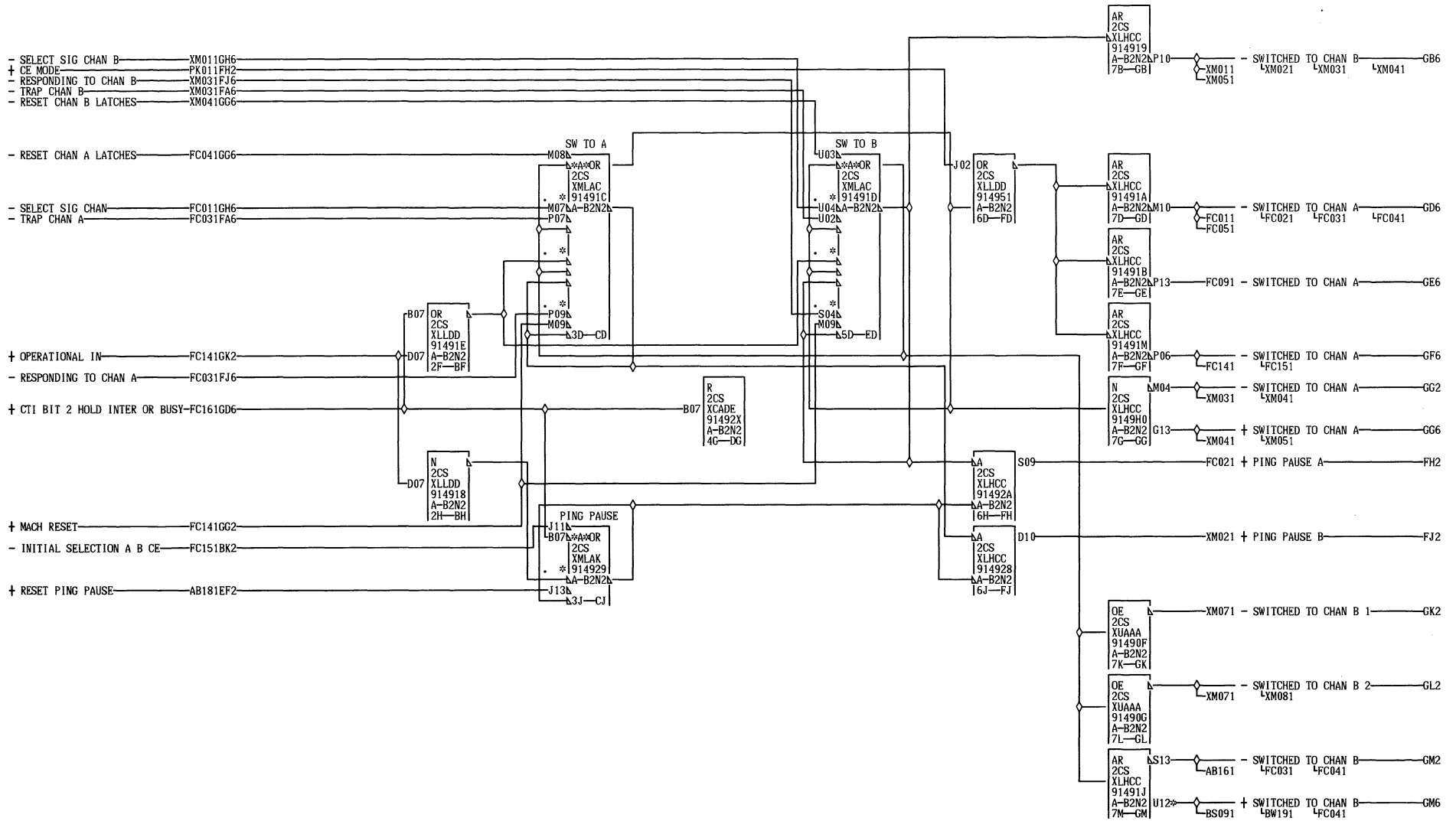
X
M
0
8
1
000



JUMPER CJ-DJ IF SIXTEEN
TU INTERFACES ATTACHED
X JUMPER CL-DJ IF EIGHT TU
M INTERFACES ATTACHED
0
9
1
000

07-17-73 734098

ADDRESS COMPARE LOGIC				X
2CS FEATURE				M
DATE	08-18-81	MACH.	3803-2	0
LOG	0016	FRAME	01	9
		P.N.	2736479	1
IBM CORP.	SDD	BLK.	GN	000

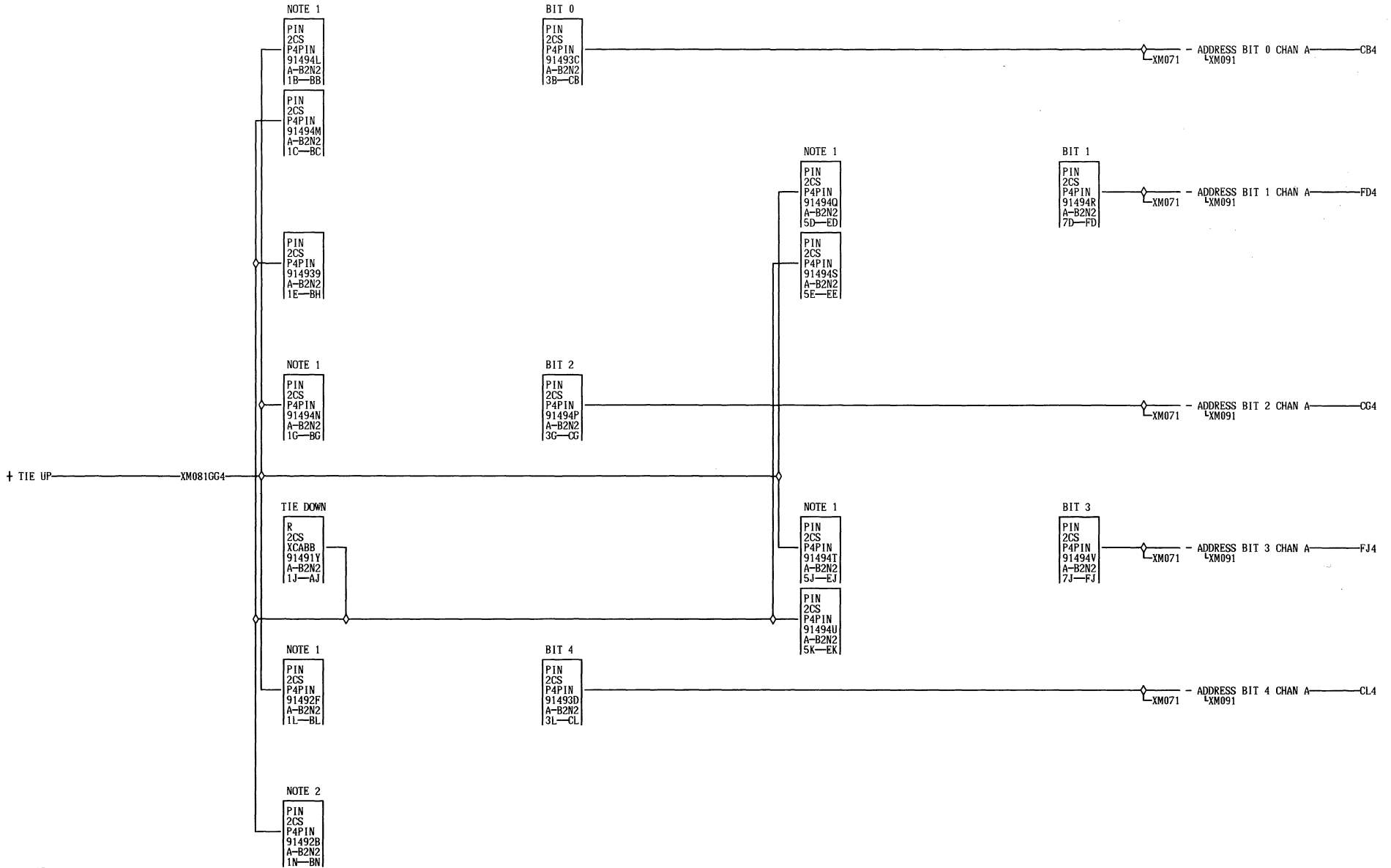


TIE A-B2N2J11 TO A-B2N2J08
WITH RESISTOR P/N 2520936
X ON MACHINES WITHOUT M1S.

GM6 A-B2B5D11
01A-A2U5D11
01A-A2V1A13
01A-A1V1A13

07-17-73 734098
04-30-80 847120

TIE BREAKER LOGIC			
2CS FEATURE			
DATE	08-18-81	MACH.	3803-2
LOG	0867	FRAME	01
P.N.		2736480	
IBM CORP.	SDD BLK.	GN	000

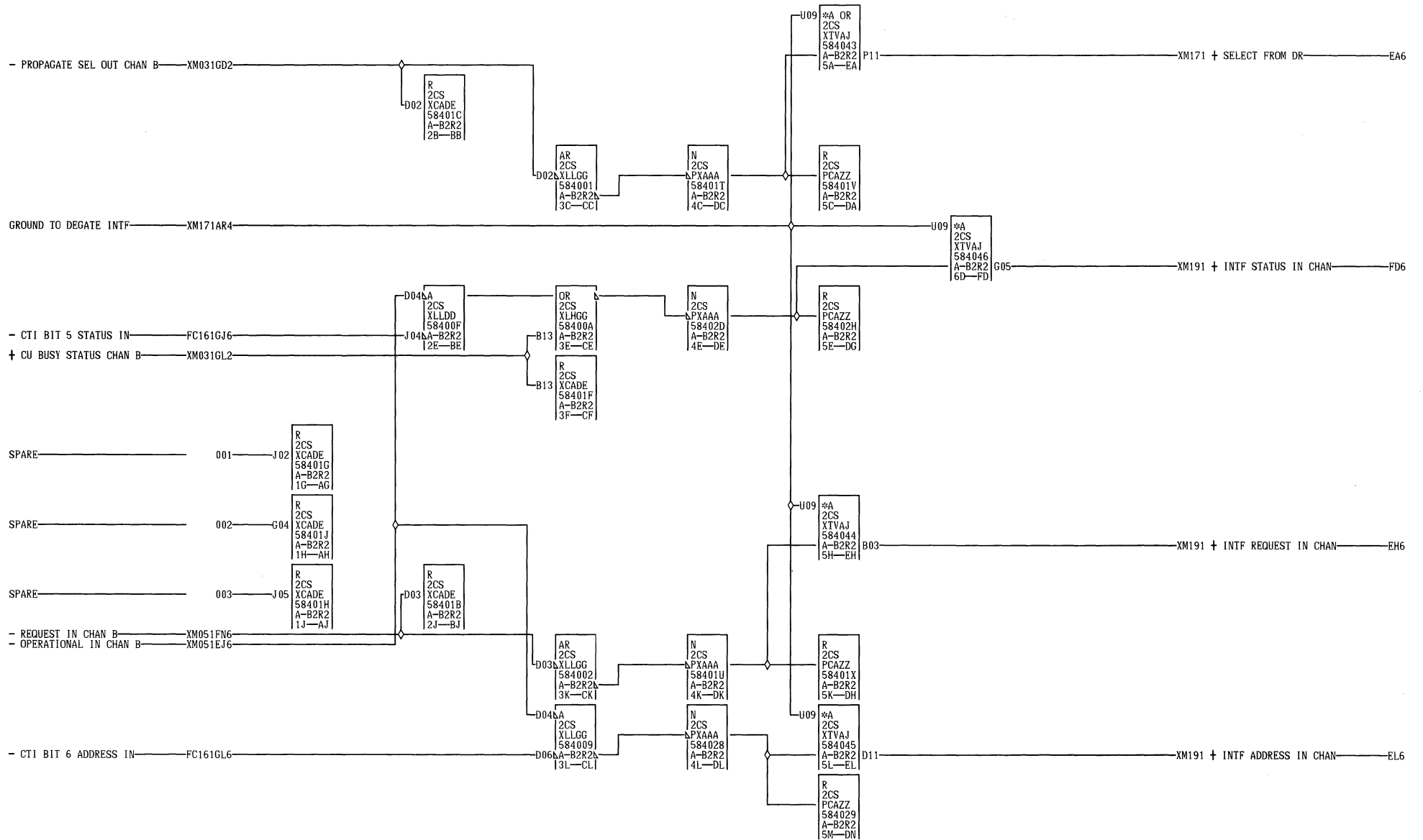


NOTE 1 JUMPER ONE OF EACH PAIR
 X NOTE 2 JUMPER BIT 4 IF SIXTEEN TAPE UNITS ARE ACCESSED BY CONTROL UNIT
 1
 1
 000

07-17-73 734098

CONTROL UNIT ADDRESS JUMPERS			
2CS FEATURE			
DATE	08-18-81	MACH.	3803-2
LOG	0016	FRAME	01
		P.N.	2736481
IBM CORP.	SDD	BLK.	GM

X
M
1
1
1
000

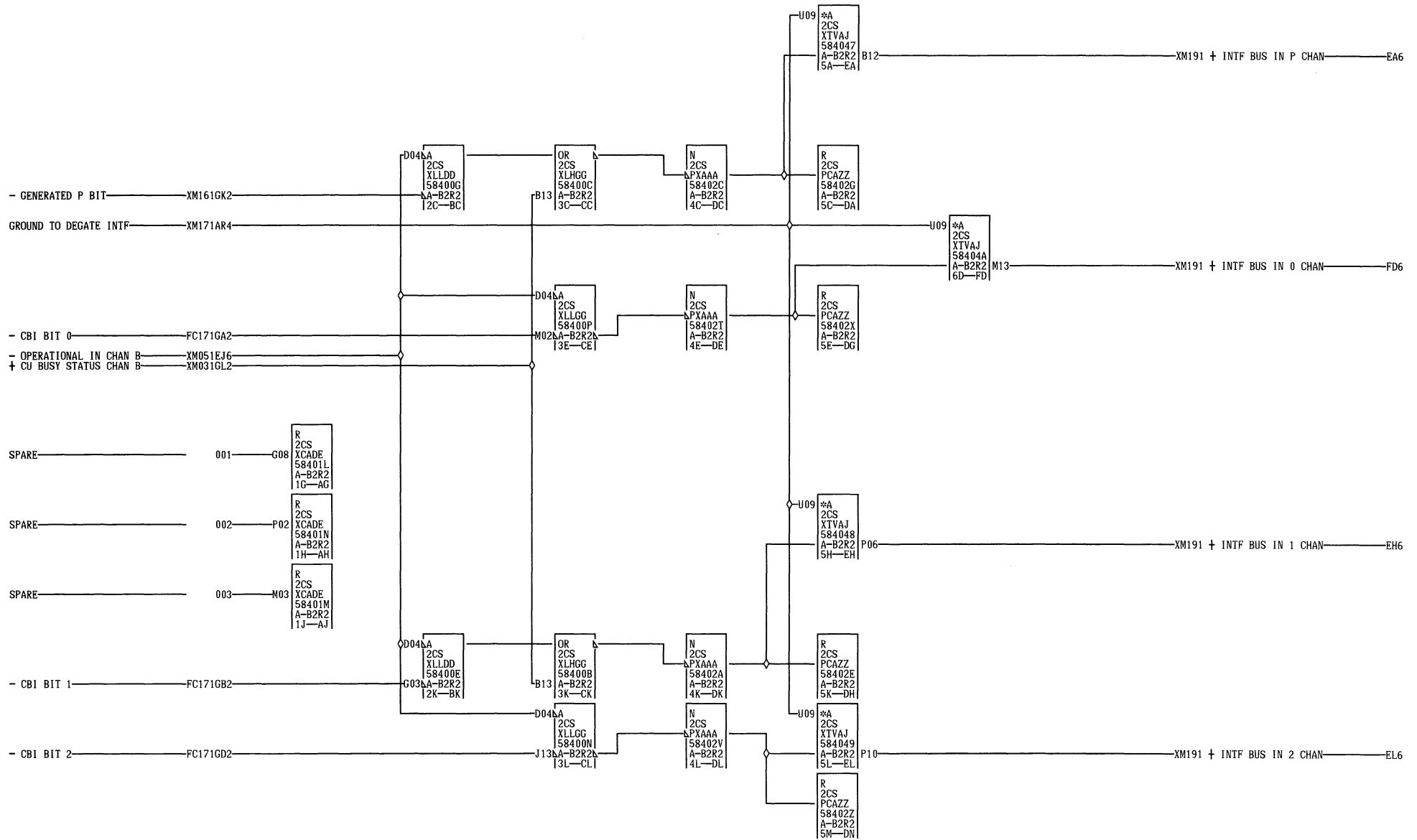


07-17-73 734098

X
M
1
2
1
000

INTERFACE DRIVERS PAGE 1		
DATE	08-11-73	MACH. 3803-2
LOG	0016	FRAME 01
		P.N. 2736482
IBM CORP.	SDD BLK.	GP

X
M
1
2
1
000

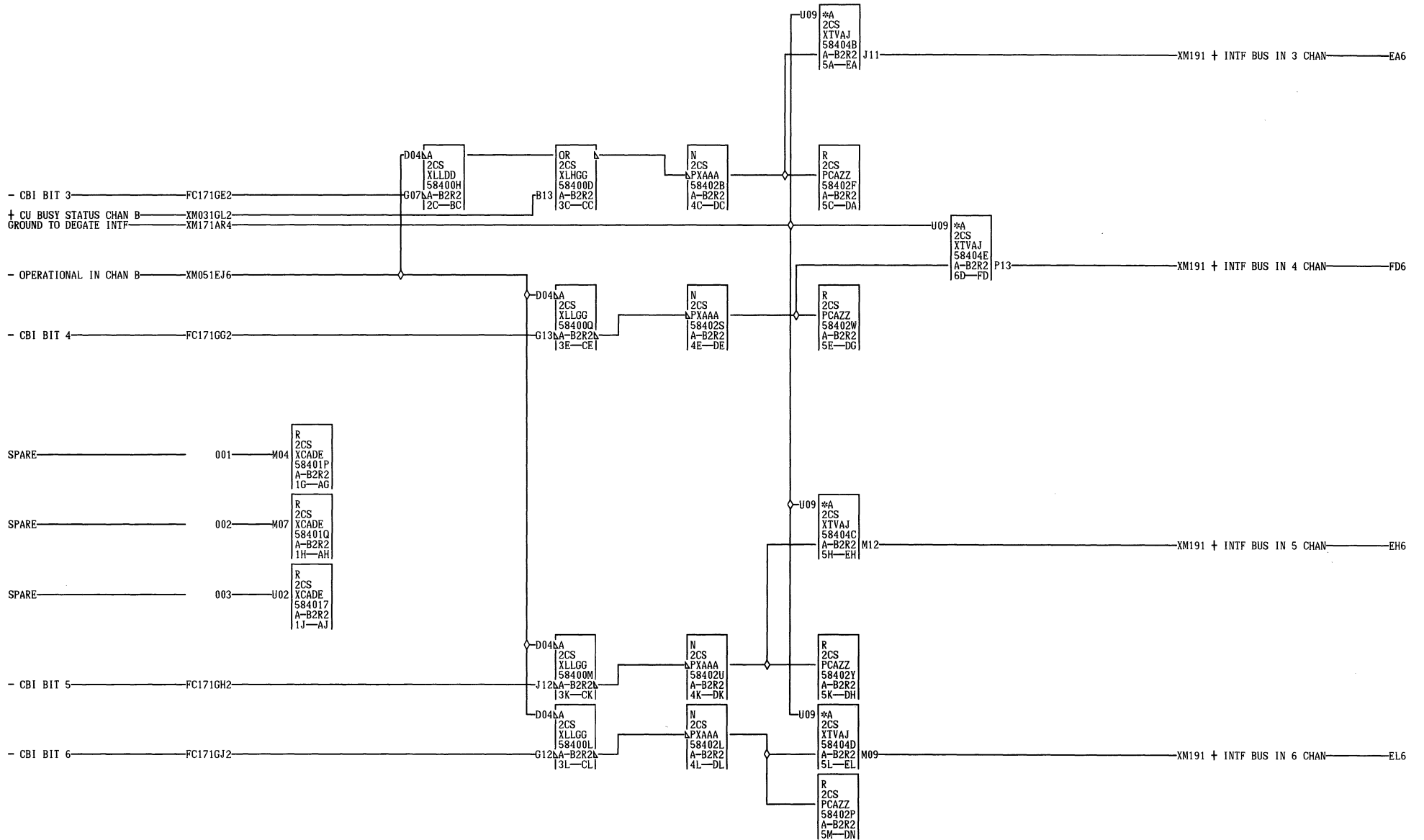


07-17-73 734098

X
M
1
3
1
000

INTERFACE DRIVERS PAGE 2			
DATE	08-11-73	MACH.	3803-2
LOG	0016	FRAME	01
		P.N.	2736483
IBM CORP.	SDD	BLK.	GP

X
M
1
3
1
000

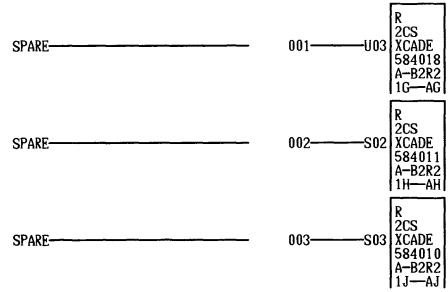
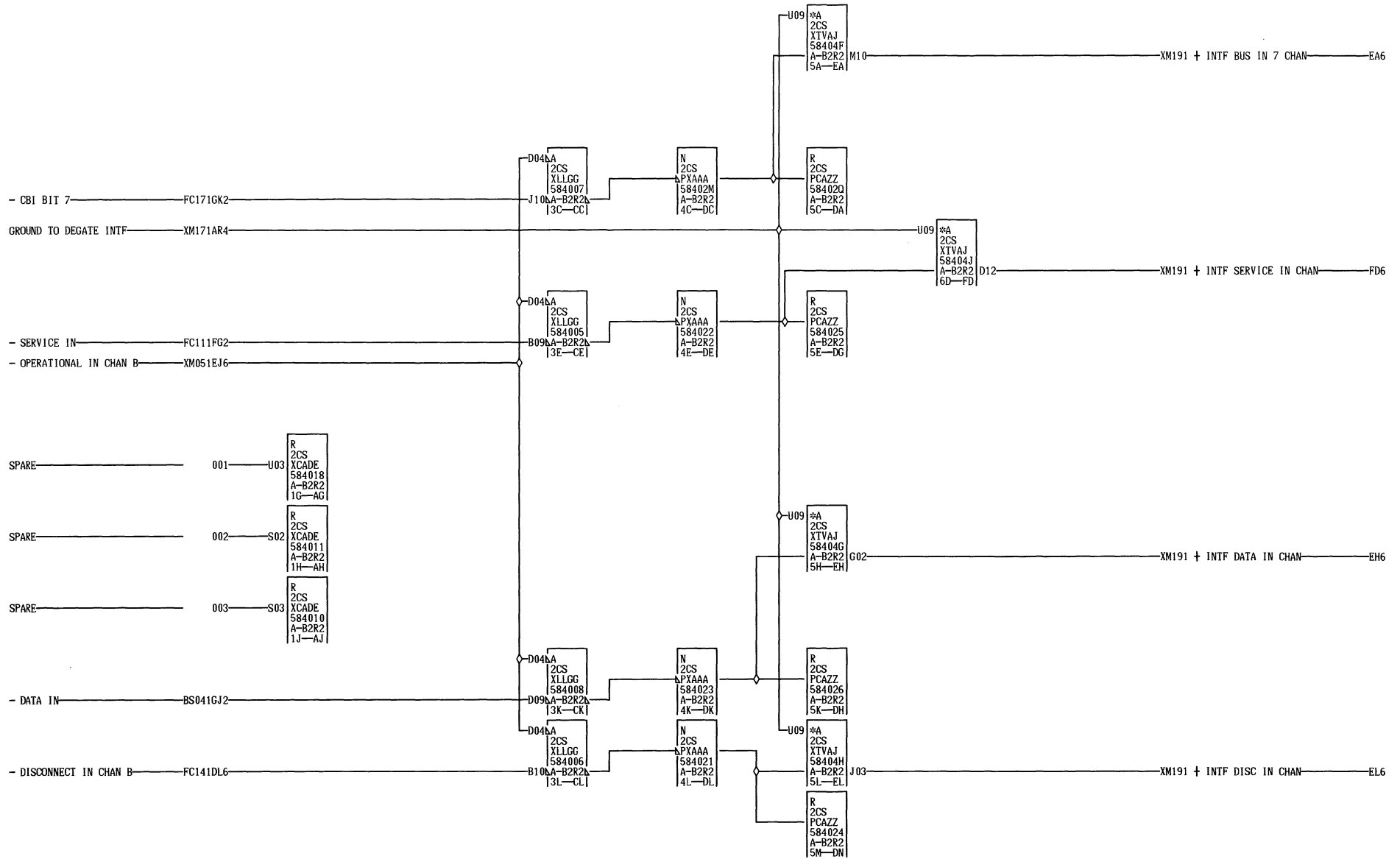


07-17-73 734098

INTERFACE DRIVERS PAGE 3		
DATE	08-11-73 MACH. 3803-2	
LOG	0016 FRAME	01
P.N.		2736484
IBM CORP.	SDD BLK.	GP

X
M
1
4
1
000

X
M
1
4
1
000



07-17-73 734098
05-13-74 736701

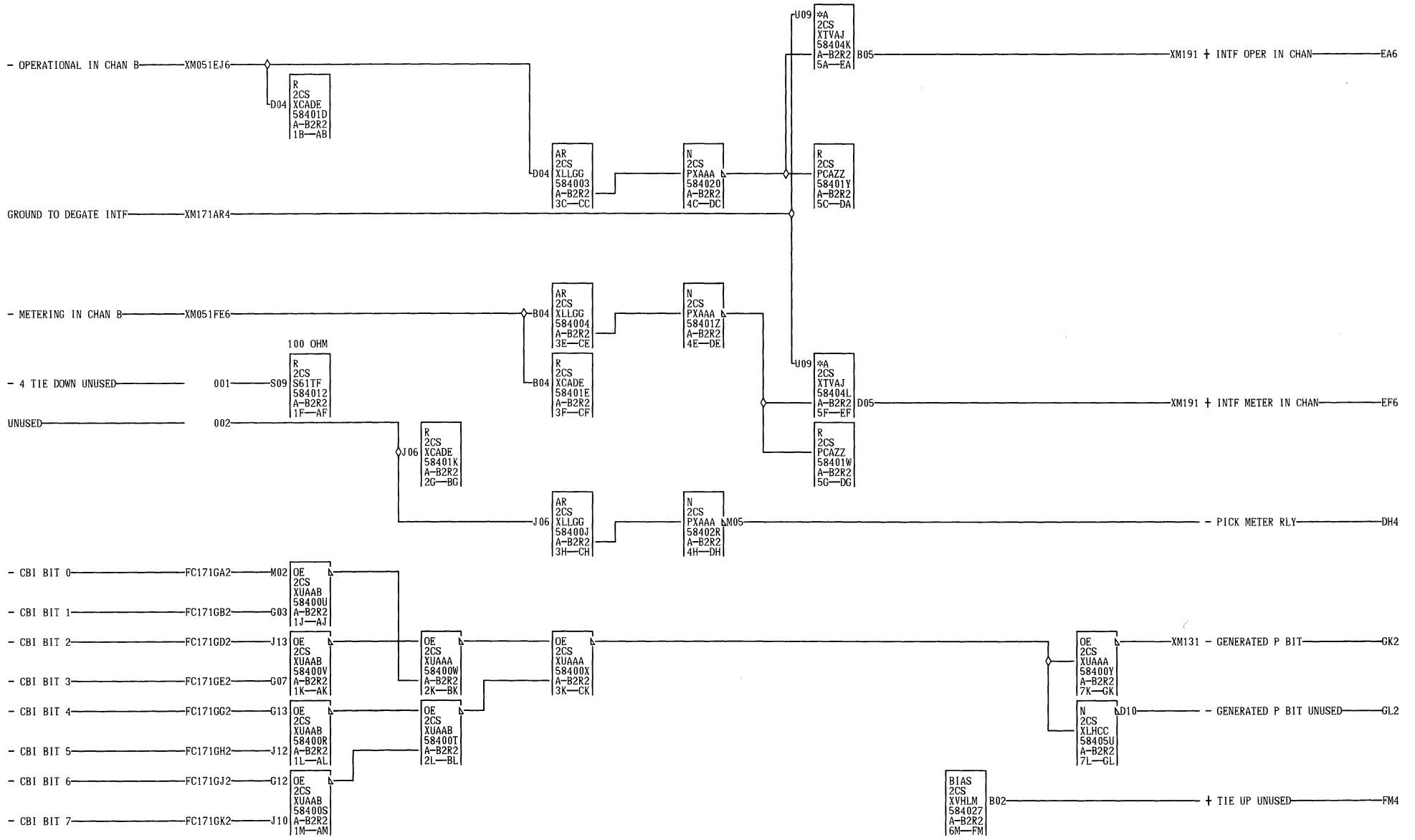
INTERFACE DRIVERS PAGE 4			
DATE	08-18-81	MACH.	3803-2
LOG	0W65	FRAME	01
		P.N.	2736485
IBM CORP.	SDD BLK.		GP

X
M
1
5
1

000

X
M
1
5
1

000

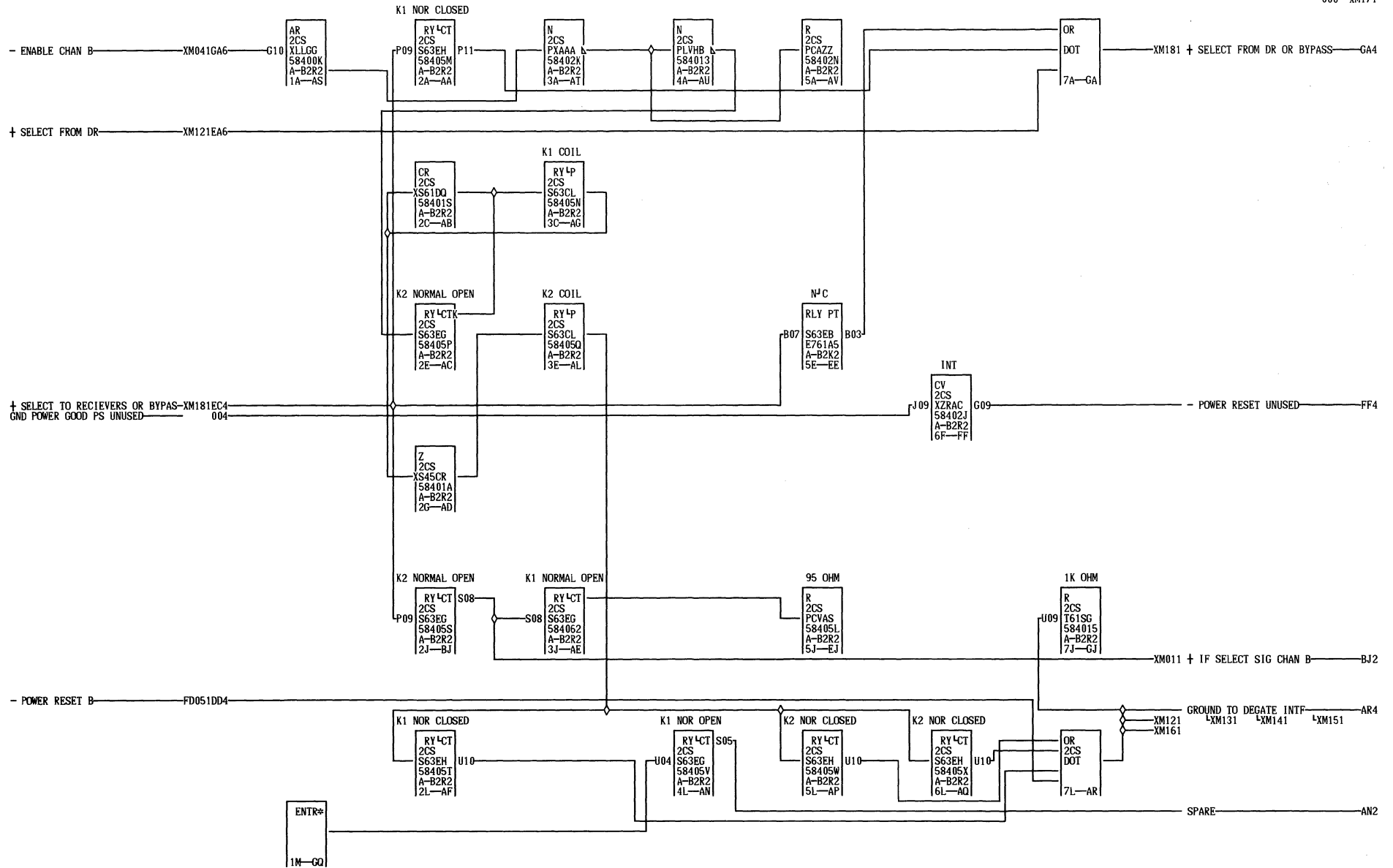


NOTE
 FOR OUTPUT LINE CONNECTIONS
 X REFER TO XC700 OR XC701.
 M
 1
 6
 1
 000

07-17-73 734098

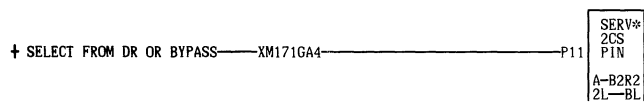
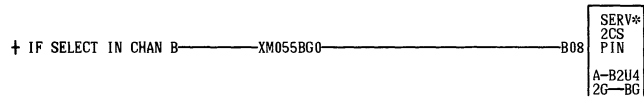
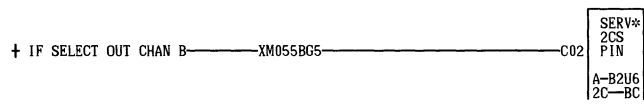
INTERFACE DRIVERS PAGE 5			
DATE	08-11-73	MACH.	3803-2
LOG	0016	FRAME	01
		P.N.	2736486
IBM CORP.	SDD	BLK.	GM

X
 M
 1
 6
 1
 000

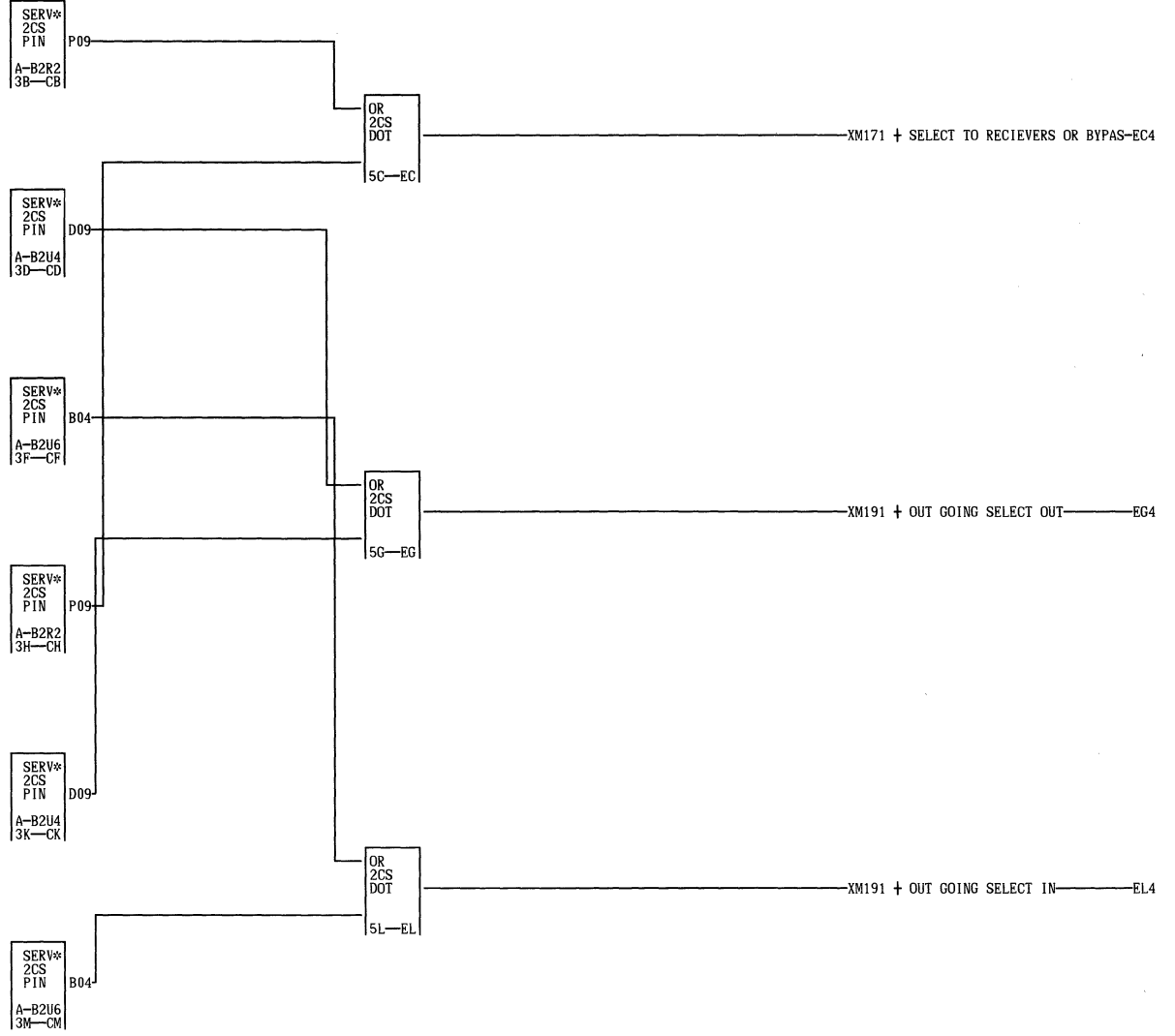


07-17-73 734098
09-17-73 734107

SELECT OUT BYPASS RELAY			X
DATE	08-18-81	MACH. 3803-2	M
LOG	0024	FRAME 01	1
		P.N. 2736487	1
IBM CORP.	SDD BLK.		000



NOTE 1



NOTE 1
HIGH PRIORITY WIRE B2U6C02 TO
X B2R2P09 AND B2U4B08 TO B2U6B04
M AND B2R2P11 TO B2U4D09
1 LOW PRIORITY WIRE B2U6C02 TO
8 B2U4D09 AND B2U4B08 TO B2R2P09
1 AND B2R2P11 TO B2U6B04

000

07-17-73 734098

PRIORITY JUMPING CHAN B			
DATE	08-11-73	MACH.	3803-2
LOG	0016	FRAME	01
		P.N.	2736488
IBM CORP.	SDD	BLK.	EM

X
M
1
8
1
000

† INTF BUS IN P CHAN	XM131EA6*		B BUS
† INTF BUS IN 0 CHAN	XM131FD6*		EXIT*
† INTF BUS IN 1 CHAN	XM131EH6*		
† INTF BUS IN 2 CHAN	XM131EL6*		
† INTF BUS IN 3 CHAN	XM141EA6*		
† INTF BUS IN 4 CHAN	XM141FD6*		
† INTF BUS IN 5 CHAN	XM141EH6*		
† INTF BUS IN 6 CHAN	XM141EL6*		
† INTF BUS IN 7 CHAN	XM151EA6*		

† INTF SERVICE IN CHAN	XM151FD6*		B TAGS
† INTF DISC IN CHAN	XM151EL6*		EXIT*
† INTF OPER IN CHAN	XM161EA6*		
† INTF METER IN CHAN	XM161EF6*		
† INTF STATUS IN CHAN	XM121FD6*		
† INTF REQUEST IN CHAN	XM121EH6*		
† INTF ADDRESS IN CHAN	XM121EL6*		
† OUT GOING SELECT IN	XM181EL4*		
† OUT GOING SELECT OUT	XM181EG4*		

† INTF DATA IN CHAN	XM151EH6*		EXIT*
			4J-DJ

XM121EH6	XM121FD6	XM131EH6	XM131FD6	XM141EH6	XM141FD6	XM151EH6	XM151FD6	XM161EF6	01A-B2U6B04 07-17-73 734098
01A-B2Q6D04	01A-B2T6C04	01A-B2U3D05	01A-B2U3B04	01A-B2U3B10	01A-B2U3D09	01S-A1A8G08	01A-B2T6E04	01A-B2Q6C02	
01S-A1A8J06	01S-A1A7D04	01S-A1B6G05	01S-A1B6J04	01S-A1B6G10	01S-A1B6J09	01A-B2R6A04	01S-A1A7D06	01S-A1A8G05	
01A-B2T5B06	01A-B2U4B04	01A-B2T1D11	01A-B2T1C13	01A-B2U1D13	01A-B2U1C11	01A-B2T5B08	01A-B2U4B06	01A-B2T5D05	
01S-A1B8J06	01S-A1B7D04	01S-A1A6G05	01S-A1A6J04	01S-A1A6G10	01S-A1A6J09	01S-A1B8G08	01S-A1B7D06	01S-A1B8G05	
XM121EL6	XM131EA6	XM131EL6	XM141EA6	XM141EL6	XM151EA6	XM151EL6	XM161EA6	XM181EG4	
01A-B2T6D02	01A-B2T1B11	01A-B2U3B06	01A-B2U3B08	01A-B2U3D11	01A-B2U3B12	01A-B2R6D02	01A-B2T6B02	01A-B2U4D09	
01S-A1A7B05	01S-A1B6G03	01S-A1B6J06	01S-A1B6G08	01S-A1B6J11	01S-A1B6G12	01S-A1A8J11	01S-A1A7B03	01S-A1B7D09	
01A-B2U4D05	01A-B2U3D03	01A-B2T1E13	01A-B2U1B13	01A-B2U1E11	01A-B2V1A13	01A-B2T5D11	01A-B2U4D03	XM181EL4	
01S-A1B7B05	01S-A1A6G03	01S-A1A6J06	01S-A1A6G08	01S-A1A6J11	01S-A1A6G12	01S-A1B8J11	01S-A1B7B03	01S-A1A7B08	

X
M
1
9
1
000

I-O INTERFACE		
EXIT PAGE		
DATE	08-11-73	MACH. 3803-2
LOG	0016	FRAME 01
P.N. 2736489		
IBM CORP.	SDD BLK.	DK

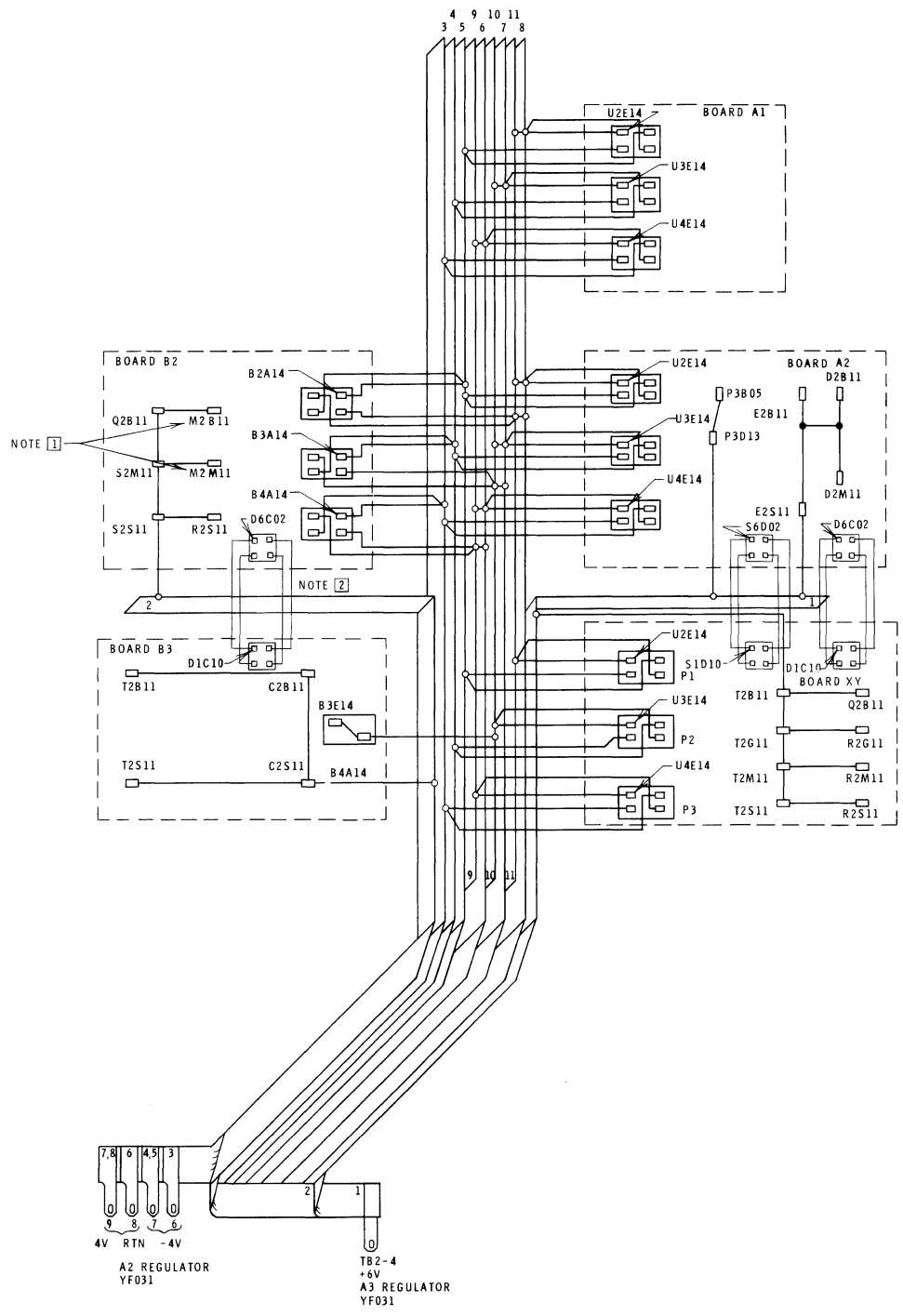
X
M
1
9
1
000

D
1766075

PART NO
1766075

LOGIC PG NO
YA106

3803-2 DC DISTRIBUTION
WITHOUT B-GATE ATTACHMENT



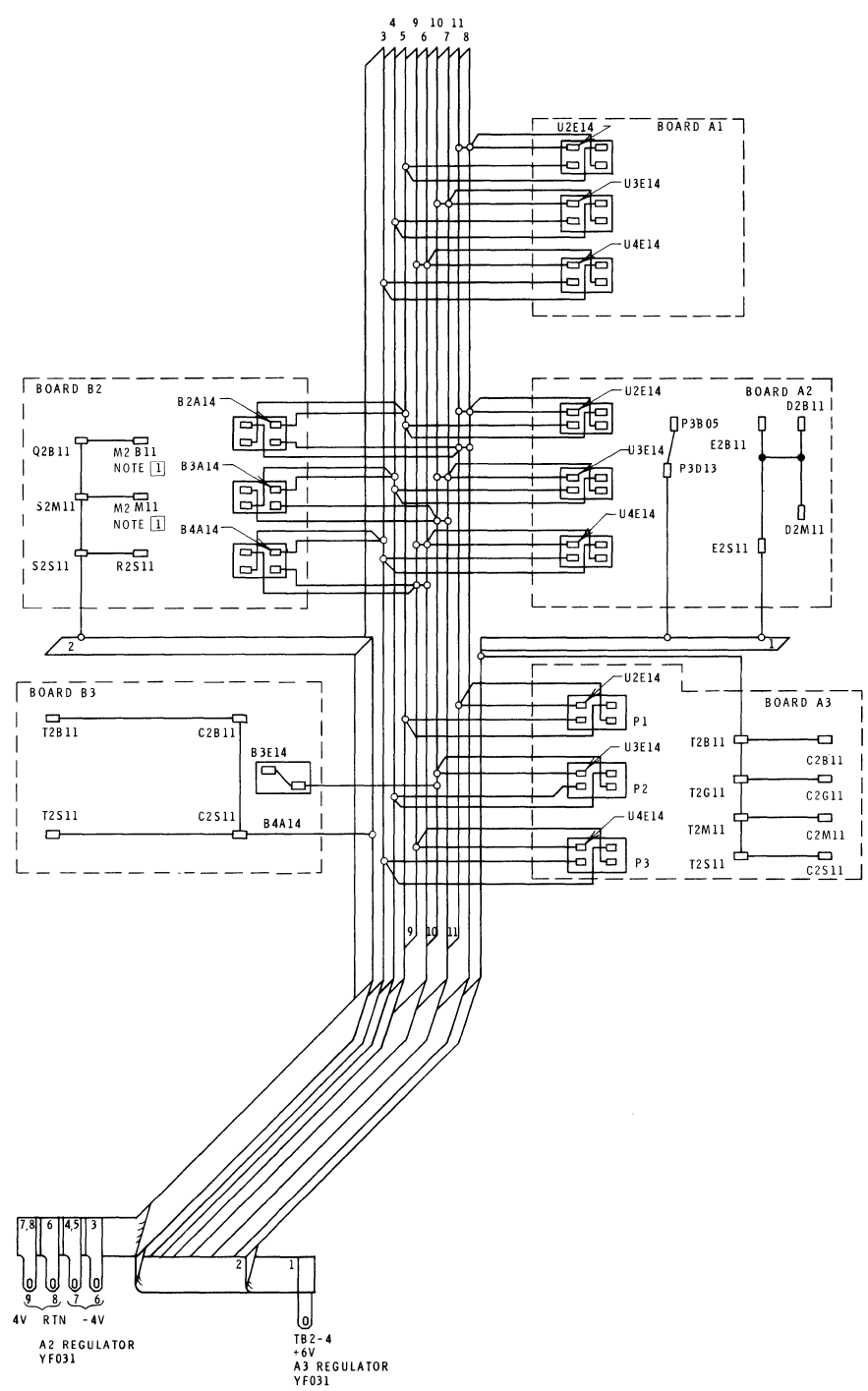
NOTES

- 1 FIELD MACHINES SHIPPED AT 3803-1 EC LEVEL 733814 OR LATER UTILIZE REWORKED DC DISTRIBUTION ASSEMBLY. PART NUMBERS 2524679 WITH 6 VOLTS CONNECTED TO 01B2M2B11 AND 01B2M2M11. PRIOR MACHINES UTILIZE DC DISTRIBUTION ASSEMBLY PART NUMBER 2521556 WITH 6 VOLTS PLUGGED ON BOARD 01B2L2B11 AND 01B2L2M11
- 2 THIS VOLTAGE JUMPER ASSEMBLY IS INSTALLED WITH SELECTION LOGIC AND TWO CONTROL SWITCH FEATURES

"THIS DOCUMENT IS THE PROPERTY OF IBM. ITS USE IS AUTHORIZED ONLY FOR RESPONDING TO A REQUEST FOR QUOTATION OR FOR THE PERFORMANCE OF WORK FOR IBM. ALL QUESTIONS MUST BE REFERRED TO THE IBM PURCHASING DEPARTMENT."

IBM				DATE	CHANGE NO	DATE	CHANGE NO
NAME D C DISTRIBUTION				25MAY72	734308B		
CARD ON BOARD				19JUL72	734308F		
DESIGN WHF	11DEC70	SHT	OF	16FEB73	734308L		
DETAIL LD	3MAY72			7JUN73	734534		
CHECK		CLASSIFICATION	MUST CONFORM TO ENG SPEC	DEVELOPMENT NO		LOGIC PG NO	
APPRO		N- J1	31MAY73			YA106	

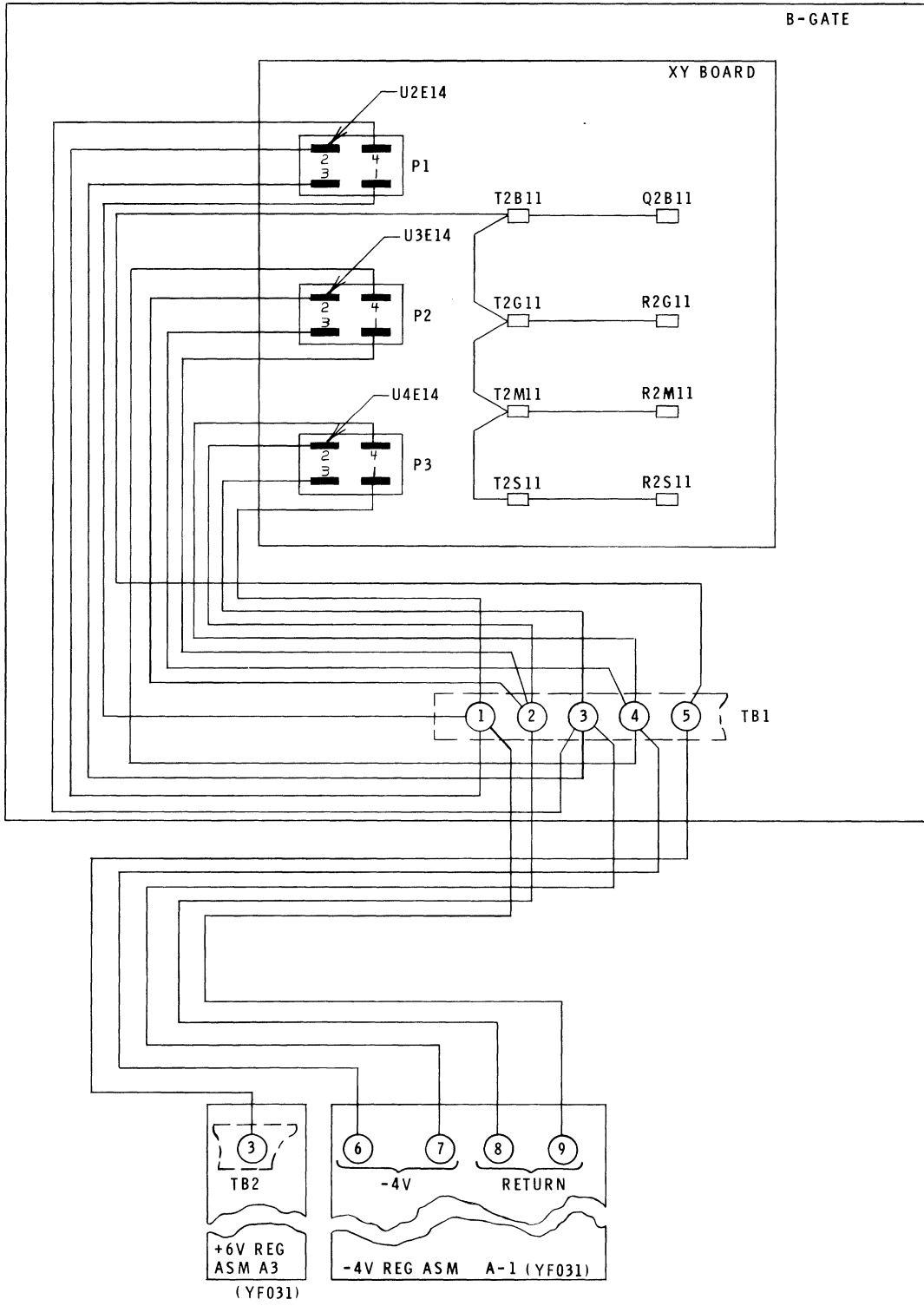
3803-2 DC DISTRIBUTION
WITH B-GATE ATTACHMENT



NOTES:
 1 FIELD MACHINES SHIPPED AT 3803-1 E.C. LEVEL 733814 OR LATER UTILIZE REWORKED DC DISTRIBUTION ASSEMBLY PART NUMBER 2524679 WITH 6 VOLTS CONNECTED TO 01R2M2M11 AND 01B2M2B11 PRIOR MACHINES UTILIZE DC DISTRIBUTION ASSEMBLY PART NUMBER 2521556 WITH 6 VOLTS PLUGGED ON BOARD 01B2L2B11 AND 01B2L2M11

"THIS DOCUMENT IS THE PROPERTY OF IBM. ITS USE IS AUTHORIZED ONLY FOR RESPONDING TO A REQUEST FOR QUOTATION OR FOR THE PERFORMANCE OF WORK FOR IBM. ALL QUESTIONS MUST BE REFERRED TO THE IBM PURCHASING DEPARTMENT."

IBM			DATE	CHANGE NO	DATE	CHANGE NO
NAME	D C DISTRIBUTION		25 MAY 72	734308B		
CARD ON BOARD			6JUN73	734534		
DESIGN	WHF	11DEC70	SHT 1 OF 1			
DETAIL	TKC	25MAY72				
CHECK	RMF	30MAY72	CLASSIFICATION	MUST CONFORM TO ENG SPEC	DEVELOPMENT NO	LOGIC PG NO
APPRO			N-J1	31MAY73		



"This document is the property of IBM. Its use is authorized only for responding to a request for quotation or for the performance of work for IBM. All questions must be referred to the IBM Purchasing Department."

INTERNATIONAL BUSINESS MACHINES CORP.		DATE	CHANGE NO.	APPROVAL	DATE	CHANGE NO.	APPROVAL	DEVELOPMENT NO.
NAME DC DISTRIBUTION		24MAY72	734308B					
B-GATE		7JUN73	734534					
DESIGN	J. B. H. P. R. 72	MODEL						
DETAIL	G. W. S. 22 APR 72	SCALE						
CHECK	V. L. G. 29 APR 72	DRAW						
APPRO	M. J. J. 31 MAY 72	CHECK						

1766040

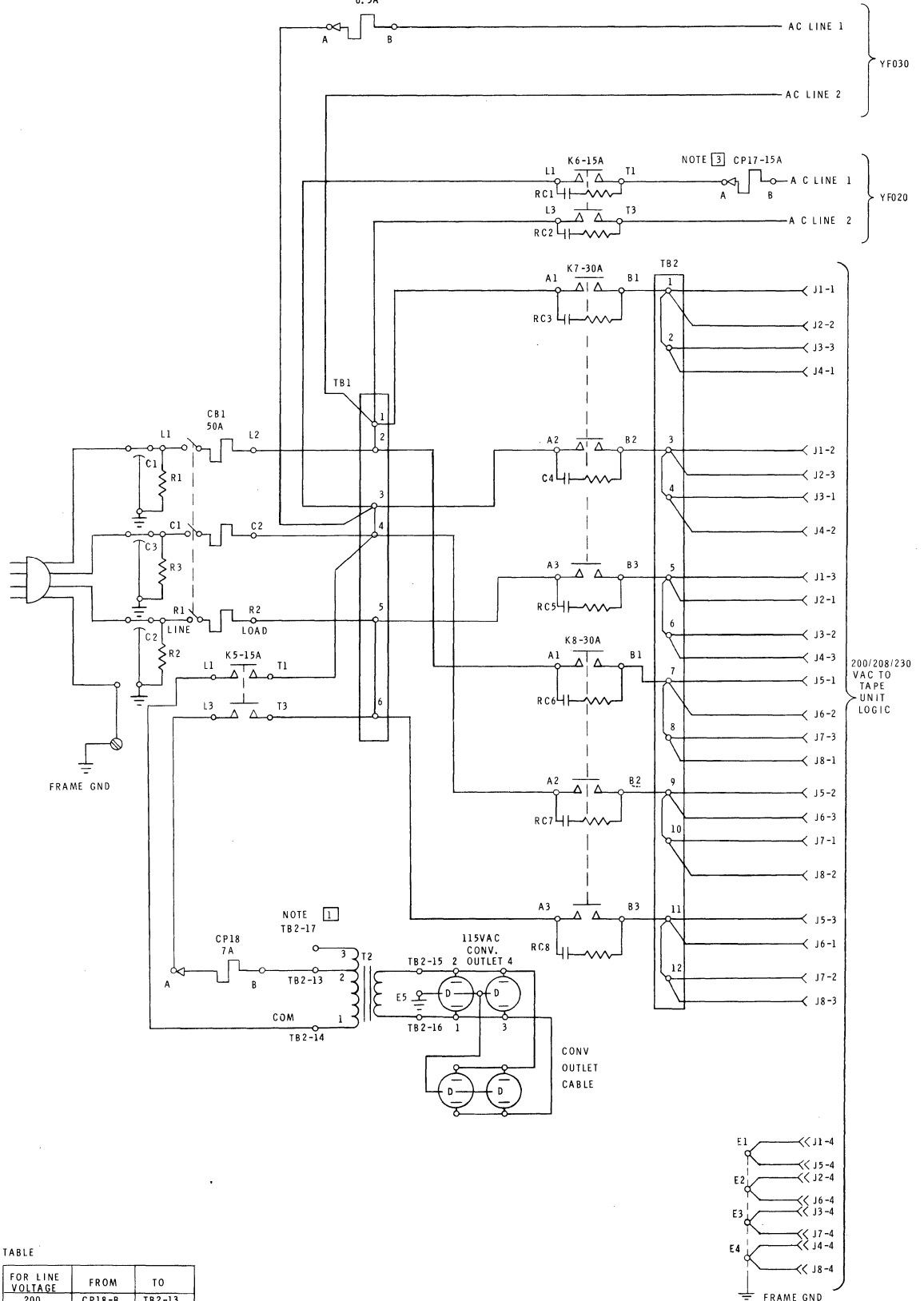
01038

SECURITY - INFO. PROHIBITION

C

A C DISTRIBUTION
60HZ

CP19 NOTE 4
0.5A



NOTES

1 TABLE

FOR LINE VOLTAGE	FROM	TO
200	CP18-B	TB2-13
208	CP18-B	TB2-13
230	CP18-B	TB2-17

2 REFER TO YF020 AND YF030 FOR FURTHER CONVERSIONS

3 3803-1 MANUFACTURED BEFORE EC 734503 CONTAIN A 12 AMP CIRCUIT PROTECTOR PART NUMBER 2524613

4 WORLD TRADE POWER SUPPLIES AT E.C. 734530 OR LATER CONTAIN A 1.0 AMP CIRCUIT PROTECTOR PART NUMBER 4116967

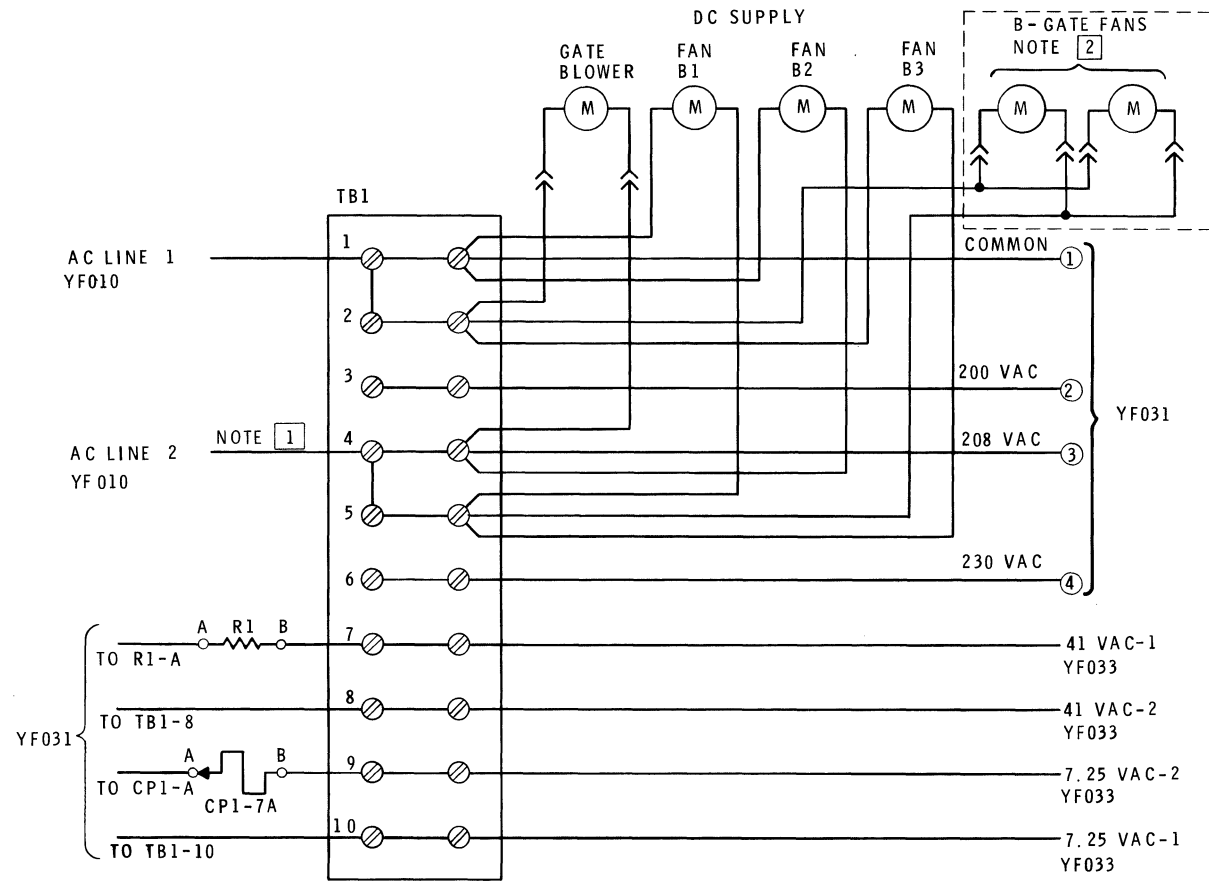
NAME	DATE	CHANGE NO.	DATE	CHANGE NO.	NOTE	DEVELOPMENT NO.
A C DISTRIBUTION 60HZ					X PRINT TO ENG. SPEC. NO.	
3803-1, 2						
DESIGN						
DETAIL						
CHECK						
APPRO						

2521549

2521549

YF020

FAN AND METER DISTRIBUTION



NOTE

1 TABLE

FOR LINE VOLTAGE	LINE 1	LINE 2
200	TB1-1	TB1-3
208	TB1-1	TB1-4
230	TB1-1	TB1-6

2 B-GATE FANS EXIST ONLY ON 3803-2 WITH B-GATE ATTACHMENT

"This document is the property of IBM. Its use is authorized only for responding to a request for quotation or for the performance of work for IBM. All questions must be referred to the IBM Purchasing Department."

IBM		DATE	CHANGE NO.	DATE	CHANGE NO.	NOTE	DEVELOPMENT NO.
NAME	AC DISTRIBUTION-60HZ	20CT70	732382E	13APR71	733684	X PRINT TO ENG. SPEC. NO.	2521549
FAN AND METER		18NOV70	733660	9JUN71	733689		
DESIGN	STANDARDS CODE	18DEC70	733664	13SEP71	733695		
DETAIL	LD 18DEC70	16JAN71	733672	29NOV72	734286		
CHECK		12MAR71	733680	7JUN73	734534		
APPRO	N-JM26SEP72						

626-0021-000

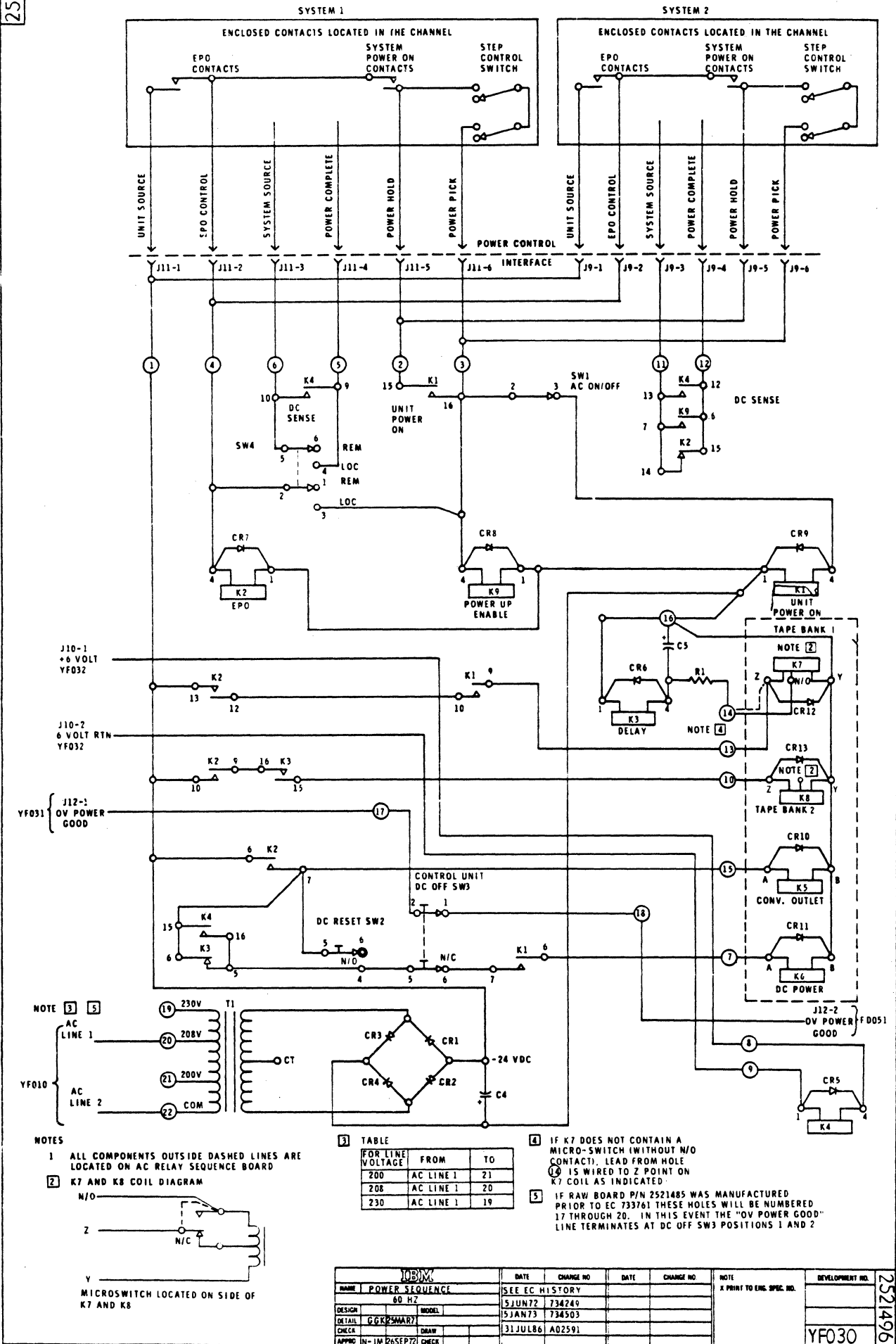
C

01038

WT-BH

This document is the property of IBM. Its use is authorized only for preparing a request for quotation or for the performance of work for IBM. All systems must be returned to the IBM Purchasing Department.

POWER SEQUENCE 60 HZ



NOTE 3 5

YF010 AC LINE 1 20 208V

AC LINE 2 21 200V

COM 22

NOTES

1 ALL COMPONENTS OUTSIDE DASHED LINES ARE LOCATED ON AC RELAY SEQUENCE BOARD

2 K7 AND K8 COIL DIAGRAM

N/O

Z

N/C

Y

MICROSWITCH LOCATED ON SIDE OF K7 AND K8

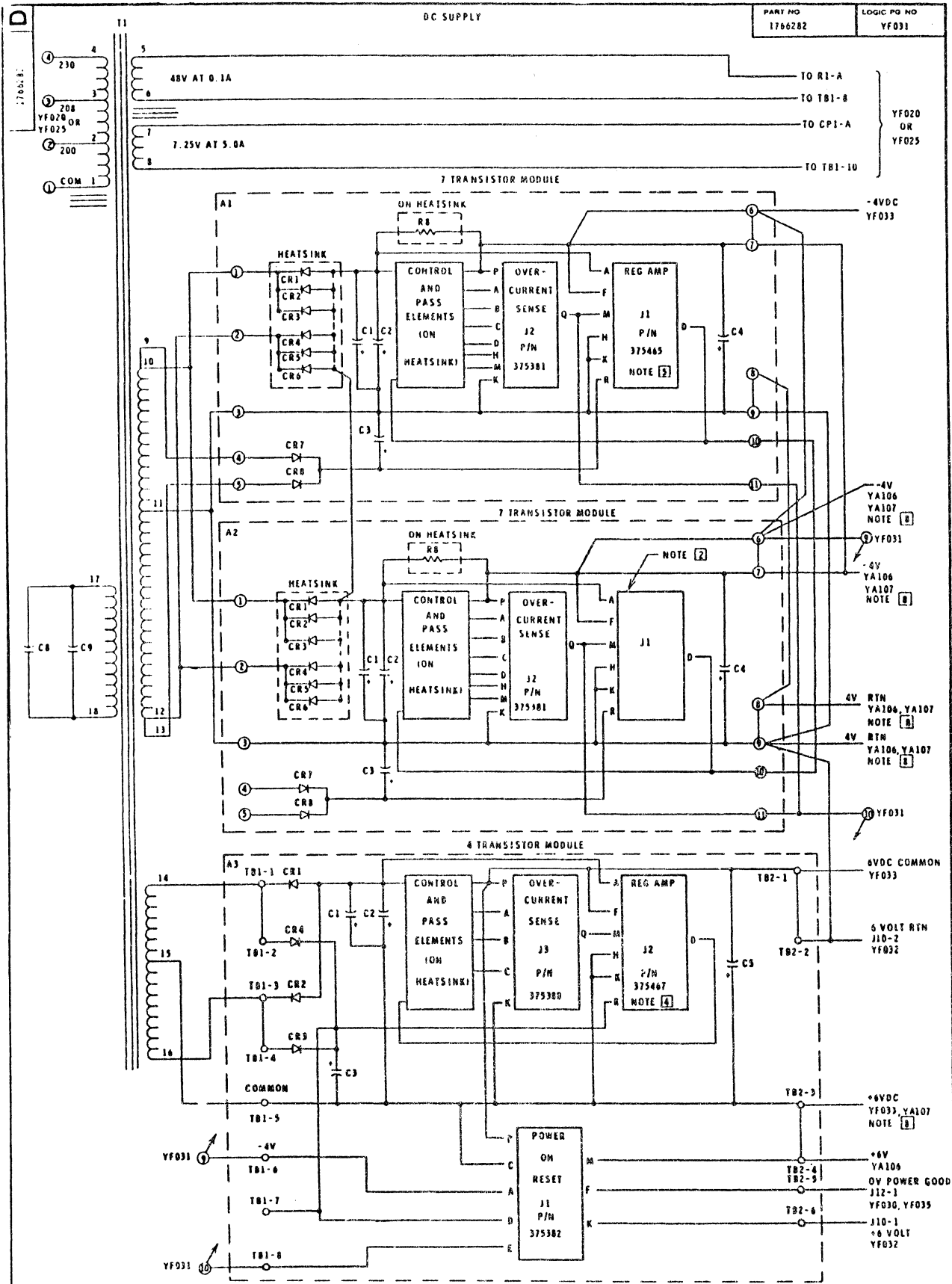
3 TABLE

FOR LINE VOLTAGE	FROM	TO
200	AC LINE 1	21
208	AC LINE 1	20
230	AC LINE 1	19

4 IF K7 DOES NOT CONTAIN A MICRO-SWITCH (WITHOUT N/O CONTACT), LEAD FROM HOLE 16 IS WIRED TO Z POINT ON K7 COIL AS INDICATED

5 IF RAW BOARD P/N 2521485 WAS MANUFACTURED PRIOR TO EC 733761 THESE HOLES WILL BE NUMBERED 17 THROUGH 20. IN THIS EVENT THE "OV POWER GOOD" LINE TERMINATES AT DC OFF SW3 POSITIONS 1 AND 2

NAME	DATE	CHANGE NO	DATE	CHANGE NO	NOTE	DEVELOPMENT NO.
POWER SEQUENCE	5 JUN 72	734249			X PRINT TO ENG. SPEC. NO.	2521496
DESIGN	5 JAN 73	734503				
DETAIL	31 JUL 86	A02591				
CHECK						
APP'D						



NOTES

- 1
- 2 REGULATOR ASSEMBLY, A2, DOES NOT HAVE REGULATOR AMPLIFIER PLUGGED
- 3 ON PC BOARD ARE HOLE NUMBERS FOR LEADS
- 4 ALTERNATE PART NUMBER 375342
- 5 ALTERNATE P/N 375343
- 6
- 7 SIMILAR TO P/N 2521457 AT E. C. 734289
- 8 YA107-3803-2 WITH B-GATE ATTACHMENT

"This document is the property of IBM. Its use is authorized only for the purposes stated in the request for quotation or for the performance of work for IBM. All questions must be referred to the IBM Purchasing Department."

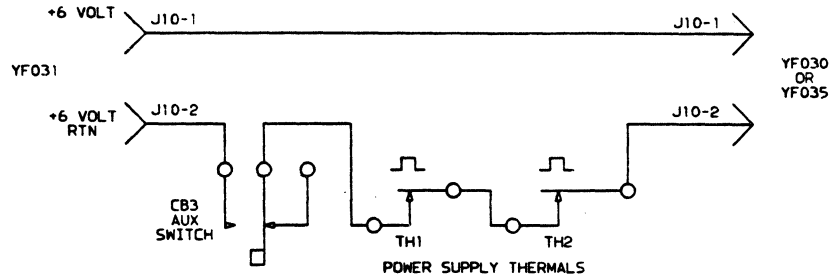
IBM			DATE	CHANGE NO.	DATE	CHANGE NO.
NAME	DC SUPPLY 50/60HZ		11MAY73	734516		
DESIGN	LRB		8JUN73	734534		
DETAIL	LD	11MAY73	8JAN74	734688		
CHECK	V.L.G.	16MAY73	31JUL86	A02591		
APPRO						
CLASSIFICATION			MUST CONFORM TO ENG. SPEC.		DEVELOPMENT NO.	
					LOGIC PG NO.	
					YF031	

1766282



PART NO. 6272677

PART NO. 6272677
 DEVELOPMENT NO. LOGIC PAGE NUMBER YF032



MAINTENANCE INFORMATION

THERE ARE SEVEN POWER SUPPLY FAULTS WHICH WILL INTENTIONALLY SHUT DOWN THE DC SUPPLY. OTHER COMPONENT FAILURES MAY ALSO SHUT DOWN THE SUPPLY. PRIMARY POWER WILL BE REMOVED IF THE 6 VOLTS TO RELAY K4 IN THE AC BOX IS LOST. THE 6 VOLTS IS SUPPLIED BY THE POWER ON RESET CARD (PN 375382) LOCATED ON THE A3 REGULATOR IN THE DC POWER SUPPLY.

THE SEVEN FAULTS WHICH WILL INTENTIONALLY SHUT DOWN THE SUPPLY ARE:

1. -4 VOLT OVER CURRENT SENSED ON REGULATOR ASSEMBLY A1.
2. -4 VOLT OVER CURRENT SENSED ON REGULATOR ASSEMBLY A2.
3. -4 VOLT OVER VOLTAGE SENSED BY THE POWER ON RESET CARD.
4. 6 VOLT OVER CURRENT SENSED ON REGULATOR ASSEMBLY A3.
5. 6 VOLT UNDER VOLTAGE (6 VOLTS NOT ENOUGH TO PICK K4).
6. THERMAL SENSOR AT REGULATOR LOCATION A1.
7. THERMAL SENSOR AT REGULATOR LOCATION A2.

THE FIRST FIVE OF THESE ACT AS INPUTS TO THE POWER ON RESET CARD AND ARE NOT LATCHED UP OR INDICATED. THE THERMALS ARE MANUAL RESET TYPES AND WILL INDICATE WHEN TRIPPED. THE THERMALS ARE LOCATED ON THE DC POWER SUPPLY SHIELD. LOOSE CONNECTIONS ARE MOST LIKELY AT THE BOLTS ON THE TERMINALS FROM THE TRANSFORMER OR AT THE SCREWS ON CAPACITORS C1 OR C2 ON EITHER THE A1 OR A2 REGULATOR.

TYPICAL POWER SUPPLY OPERATION AND DEFECT ISOLATION INFORMATION

TYPICAL +6 VOLT POWER SUPPLY OPERATION

BULK DC INPUT VOLTAGE (SEE NOTES 1 AND 4): MINUS 5 VOLTS
 INPUT RIPPLE VOLTAGE (SEE NOTE 2): 0.400 VOLT
 OUTPUT RIPPLE VOLTAGE (SEE NOTE 3): 0.025 VOLT

TYPICAL -4 VOLT POWER SUPPLY OPERATION

BULK DC INPUT VOLTAGE (SEE NOTE 1): MINUS 8 VOLTS
 INPUT RIPPLE VOLTAGE (SEE NOTE 2): 1.000 VOLT
 OUTPUT RIPPLE VOLTAGE (SEE NOTE 3): 0.050 VOLT

- NOTE 1. MEASURED ON THE REGULATOR HEAT SINK WITH A DC VOLTMETER. MAY CHANGE BY AS MUCH AS +/- 1 VOLT AND STILL BE ACCEPTABLE.
 NOTE 2. MEASURED ON THE REGULATOR HEAT SINK WITH AN OSCILLOSCOPE SET FOR AC INPUT.
 NOTE 3. MEASURED AT THE OUTPUT OF THE REGULATOR WITH AN OSCILLOSCOPE SET FOR AC INPUT.
 NOTE 4. THE -6 VOLT REGULATOR IS IN SERIES WITH THE COMMON SIDE OF THE SUPPLY. THE INPUT TO THE REGULATOR IS THEREFORE MINUS.

THE DC RESET SWITCH ON THE FRONT END OF THE AC BOX CAN BE HELD IN THE ON POSITION TO FORCE THE POWER SUPPLY ON EVEN THOUGH SOME CAUSE IS SHUTTING IT DOWN. USE CAUTION WHEN FORCING THE SUPPLY TO STAY ON BY HOLDING THE DC RESET SWITCH. FORCE THE SUPPLY ON ONLY LONG ENOUGH TO MAKE A MEASUREMENT (JUST A FEW SECONDS AT A TIME).

CAUTION:

THE DC POWER SUPPLY CAN DELIVER VERY HIGH CURRENT. TOOLS CAN BE BURNED IF ACCIDENTALLY ALLOWED TO COME IN CONTACT WITH CURRENT CARRYING PARTS WHILE POWER IS ON. USE CARE IF IT IS NECESSARY TO MAKE ANY MEASUREMENTS OR ADJUSTMENTS WITH POWER ON.

THIS DOCUMENT IS THE PROPERTY OF IBM. ITS USE IS AUTHORIZED ONLY FOR THE SPECIFIC PROJECT AND FOR THE PERFORMANCE OF WORK FOR IBM. ALL QUESTIONS MUST BE REFERRED TO THE IBM PURCHASING DEPARTMENT.

TITLE DC POWER SUPPLY - FAULT DETECTION AND MAINT INFO		
DESIGNER	RGB	6JUN86
CHECKED		
APPROVED		
CLASS	RGB	6JUN86

DATE	EC NO.
17SEP86	A02591



MUST CONFORM TO ENG. SPEC.

PART NO.	SHEET 1 OF 1
6272677	
DEVELOPMENT NO.	
LOGIC PG. NO.	
YF032	

C

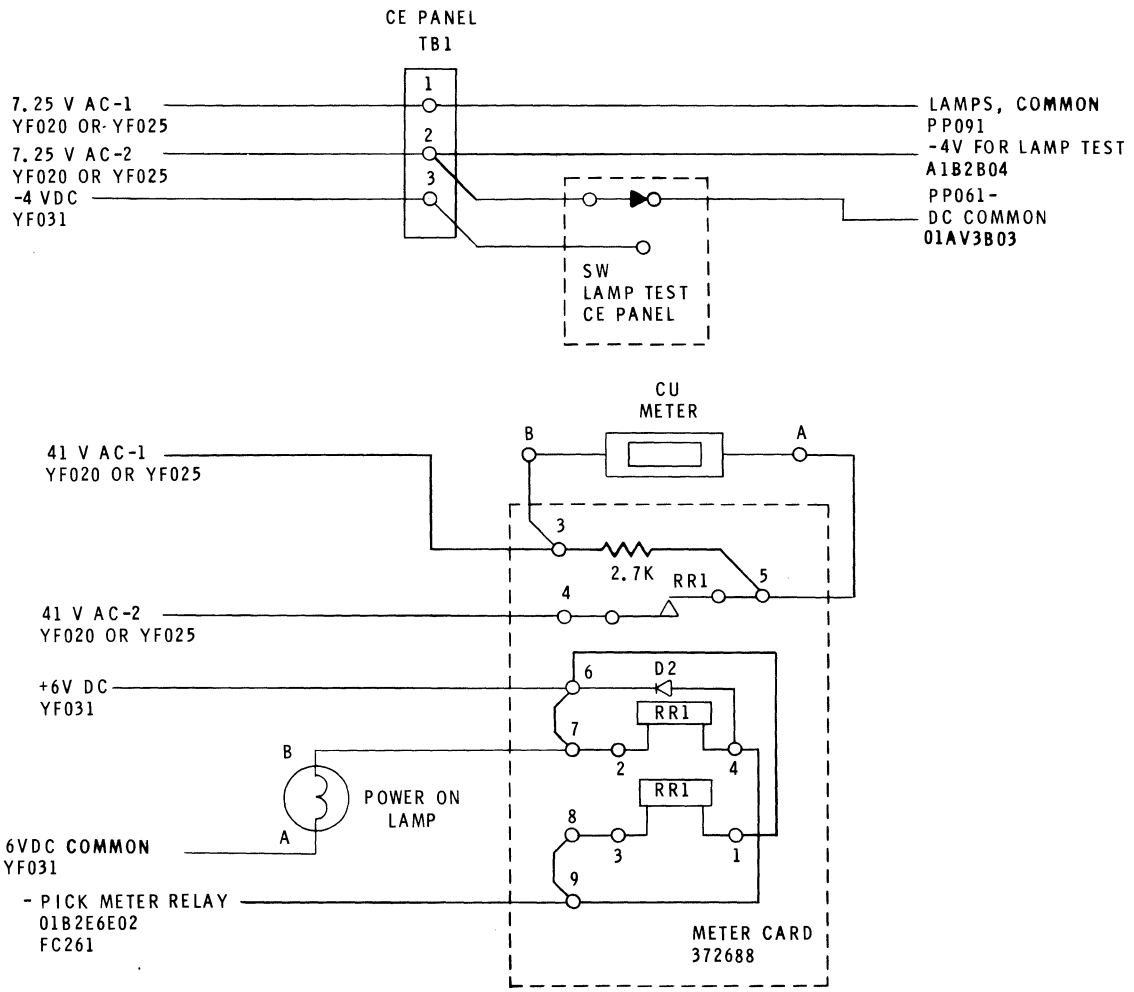
2521548

PART NO
2521548

LOGIC PG NO
YF033

ML-G

USAGE METER



THIS DOCUMENT IS THE PROPERTY OF IBM. ITS USE OR REPRODUCTION IS AUTHORIZED ONLY FOR RESPONDING TO A REQUEST FOR QUOTATION OR FOR THE PERFORMANCE OF WORK FOR IBM. ALL QUESTIONS MUST BE REFERRED TO THE IBM PURCHASING DEPARTMENT.

IBM				DATE	CHANGE NO	DATE	CHANGE NO	
NAME	USAGE METER 50/60HZ			2 OCT 70	732382E	RED	22 MAR 71	733679
				18 NOV 70	733660		14MAY71	733761
DESIGN	LRB		SHT OF	18 DEC 70	733664		29JUN71	733691
DETAIL	TKC	22MAR71		16 JAN 71	733672		23AUG71	733697
CHECK	<i>HH</i>		CLASSIFICATION	MUST CONFORM TO ENG SPEC		DEVELOPMENT NO		LOGIC PG NO
APPRO								YF033

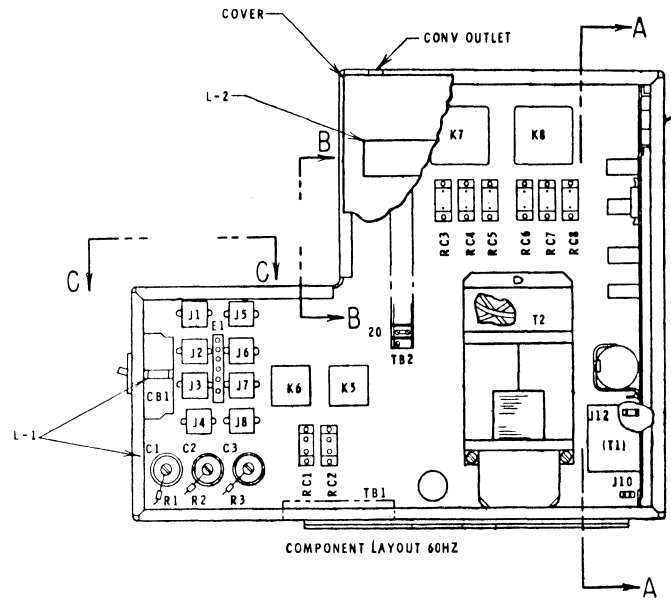
2521548

C

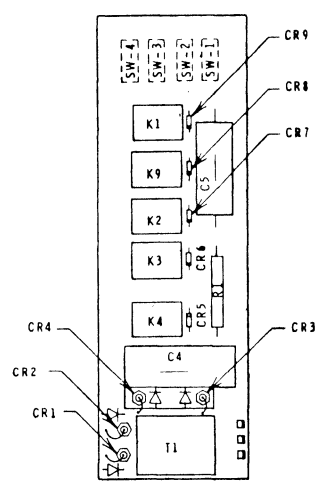
This document is the property of IBM. Its use is authorized only for responding to a request for quotation or for the performance of work for IBM. All questions must be referred to the IBM Purchasing Department.

60- 50HZ
AC COMPONENT LOCATION CHART

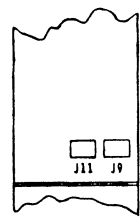
SEE SHEET 2 FOR NOTES



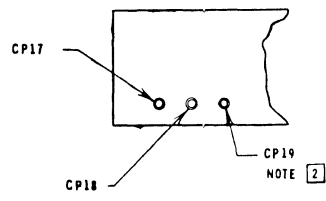
COMPONENT LAYOUT 60HZ



VIEW A-A
SHOWING AC RELAY BOARD
60, 50HZ



VIEW B-B
60HZ



VIEW C-C
60HZ

COMPONENT LOCATION CHART FOR AC RELAY BOARD

PART NO.	DESCRIPTION	REF DESIGNATION	QTY
208238	CAPACITOR, 10K μ , 33VDCW	C4	1
5213521	CAPACITOR, 1000 μ , 25VDCW	C5	1
2111232	DIODE, AM	CR5-CR9	5
598353	RECTIFIER, SILICON	CR1-CR4	4
5318969	RELAY, 4PDT, 5A, 6V	K4	1
5318968 NOTE 4	RELAY, 4PDT, 5A, 24V	K1, K2, K3, K9	4
2102625	RESISTOR, 150 Ω , 5W	R1	1
5420117 NOTE 3	SWITCH, DPDT, MOM TOGGLE	SW2, SW3	2
5420118 NOTE 2	SWITCH, DPDT TOGGLE	SW1, SW4	2
2521482	TRANSFORMER, 24V 50HZ	T1	1
2521480	TRANSFORMER, 24V 60HZ	T1	1
2521483	RELAY BOARD 60HZ		1
2521583	RELAY BOARD 50HZ		1
138754	LABEL (SAFETY)	L-1	2
369208	LABEL (SAFETY)	L-2	1

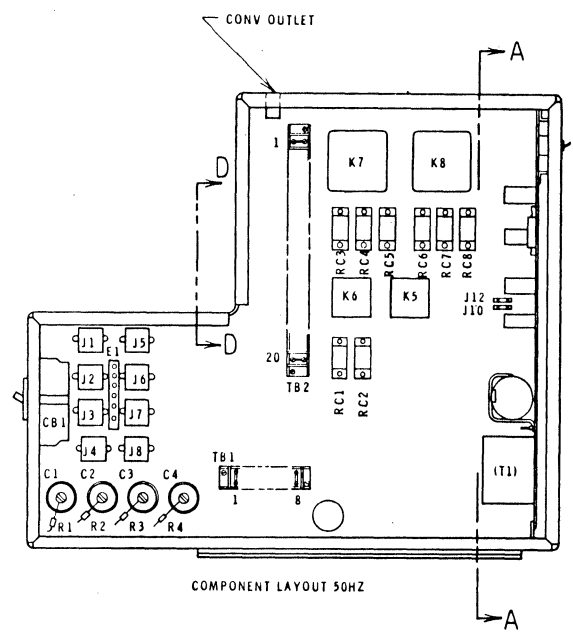
COMPONENT LOCATION CHART

PART NO.	DESCRIPTION	REF DESIGNATION	QTY
2229542	CIRCUIT PROTECTOR, 7A	CP18 (60 HZ)	1
2218599	CIRCUIT PROTECTOR, 10A	CP18 (50HZ)	1
2524831 NOTE 1	CIRCUIT PROTECTOR, 15A	CP17	1
2513489 NOTE 2	CIRCUIT PROTECTOR, 5A	CP19 (50/60 HZ)	1
5213804	CKT. BREAKER, 50A 60HZ	C81	1
2521481	CKT. BREAKER, 60A 50HZ	C81	1
4120834	CAP., FEED THRU 50HZ	C4 (NOT USED ON 60HZ)	1
4120834	CAP., FEED THRU	C1-C3	3
2524614	RESISTOR	R1, R2, R3	3
2524614	RESISTOR 50HZ	R4 (NOT USED ON 60HZ)	1
2194932	TRANS. CONV OUTLET 60 HZ	T2 (NOT USED ON 50HZ)	1
5276703	CONTACTOR, 24VDC	K7, K8	2
5276701	CONTACTOR, 24VDC	K5 & K6	2
2514467	CAPACITOR-RESISTOR ASM	RC1, RC2	2
2914029	CAP-RES ASM.	RC3-RC8	6
2521492	CONNECTOR, HOUSING	J1 THRU J8	8
1166116	CONNECTOR, HOUSING	J10, J12	2
523260	CONNECTOR	J9, J11	2
2160917	DIODE, AM	CR 10-CR 13	4
357995	CONV. OUTLET 60HZ		1
418835	CONV. OUTLET 50HZ		1
317315	TERMINAL BOARD 50HZ	TB1	1
504870	TERMINAL BOARD 60HZ	TB1	1
252320	TERMINAL BOARD	TB2	1
2521488	PWR SYST FINAL ASM-60HZ	DOMESTIC ONLY	1
2521489	PWR SYST FINAL ASM-50HZ	WTC BUILT ONLY	1

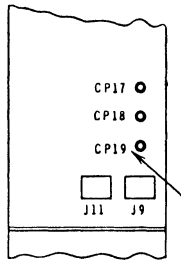
NAME	COMPONENT LOCATION CHART 60, 50 HZ-A C BOX	DATE	13 JUN 77	CHANGE NO.	449066	NOTE	X PRINT TO ENG. SPEC. NO.	DEVELOPMENT NO.	2521589
DESIGN	KRD OCT70	DATE	21 MAY 73	CHANGE NO.	734530				
DETAIL	LD BRUV70	DATE	1 AUG 73	CHANGE NO.	735961				
CHECK		DATE	13 NOV 73	CHANGE NO.	7342348				
APPRO	N-JM26SEP72	DATE	17 DEC 72	CHANGE NO.	449059				

YF036

60 - 50HZ
AC COMPONENT LOCATION CHART



COMPONENT LAYOUT 50HZ



VIEW D-D

50HZ

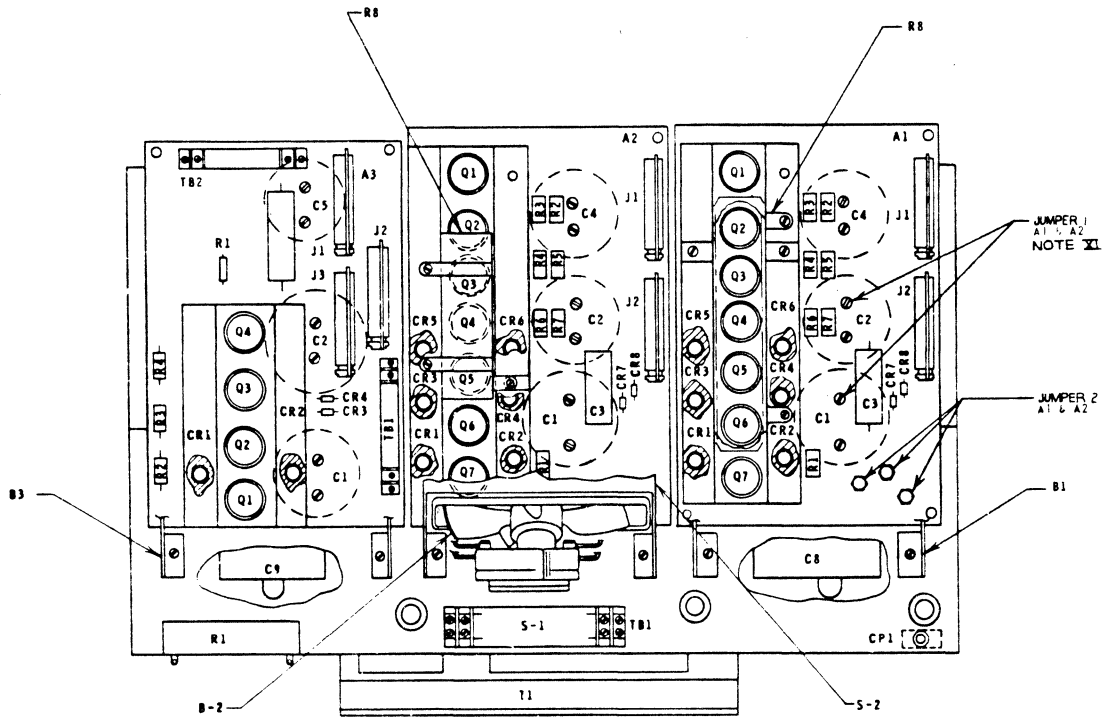
NOTE:

- 1 MACHINES MANUFACTURED BEFORE EC 734503 CONTAIN A 12 AMP CP, P/N2524613
- 2 SOME WORLD TRADE POWER SUPPLIES AT EC 734530 (W/O REA-91-02494 LABELLED) MAY CONTAIN A 1.0A CIRCUIT PROTECTOR P/N 4116967
- 3 IF SWITCH IS SLIDE, SWITCH 2 AND SWITCH 3 WILL BE PART NUMBER 2524771 AND SWITCH 1 AND SWITCH 4 WILL BE PART NUMBER 2524772 IF RELAY BOARD IS AT EC 734245
- 4 ALTERNATE PART NUMBER 2513155-2 POT POSITION R-9

"THIS DOCUMENT IS THE PROPERTY OF IBM. ITS USE IS AUTHORIZED ONLY FOR RESPONDING TO A REQUEST FOR QUOTATION OR FOR THE PERFORMANCE OF WORK FOR IBM. ALL QUESTIONS MUST BE REFERRED TO THE IBM PURCHASING DEPARTMENT."

IBM		DATE	CHANGE NO	DATE	CHANGE NO	2521589 D
NAME	COMPONENT LOCATION	SEE EC HISTORY		17 DEC 76	449059	
CHART	60, 50 HZ - A C BOX	21 MAY 73	734530	13 JUN 77	449066	
DESIGN	SHT 2 OF 2	1 AUG 73	735961	17 SEP 81	846171	
DETAIL		13 NOV 73	7342348			
CHECK	CLASSIFICATION	MUST CONFORM TO ENG SPEC	DEVELOPMENT NO	LOGIC PG NO		
APPRO				YF036		

1766283



COMPONENT LOCATION CHART

PART NO	DESCRIPTION	REF DESIGNATION	QTY
322767	TERMINAL BOARD	TB1	1
2521459	TRANS. FERRO 50HZ	T1 FIELD USE	1
2521458	TRANS. FERRO 60HZ	T1	1
1766071	TRANS. FERRO 50HZ	T1 NOTE 5	1
5252817	CAP FERRO 30MF, 330V	C8 60HZ	1
5252819	CAP FERRO 40MF 330V	C8, C9 50HZ NOTE 4	2
5252820	CAP FERRO 45MF, 330V	C9 60HZ	1
5252820	CAP FERRO 45MF, 330V	C9 50HZ NOTE 5	1
5252819	CAP FERRO 40MF, 330V	C8 50HZ NOTE 5	1
222553	RESISTOR 50W 100Ω	R1	1
2521599	RESISTOR .1A 300W	R8 NOTE 6, 7, 8	2
2521454	RESISTOR .16A 300W	R8 NOTE 5, 8, 10	2
2521455	FANISUB 74-P/N 2521456 60HZ	B1, B2, B3 NOTE 3	3
2521456	FAN 50HZ	B1, B2, B3 NOTE 3	3
582444	SHIELD (TB-1)	S-1	1
358795	RESISTOR .56Ω 1W	R1	1
207324	RESISTOR .1A 5W	R2, R3, R4	3
5261825	CAPACITOR 70Kμf 15V	C1, C2	2
609391	CAPACITOR 500μf 25V	C3	1
208238	CAP. 10Kμf 33V	C5	1
2111232	DIODE, AM	CR3, CR4	2
369214	TRANSISTOR (10B)	Q1-Q4	4
2521528	TERM BOARD	TB1	1
2521526	TERM BOARD	TB2	1
375380	OVER/CURRENT CARD	D/C SENSE J3	1
375467	+6V REG CARD NOTE 2	REGULATOR J2	1
375382	PWR ON/RESET CARD	PWR ON/RESET J1	1
2392039	DIODE, 20A	CR1, CR2	2
2521577	6 VOLT MODULE	A3	1

COMPONENT LOCATION CHART (CONT'D)

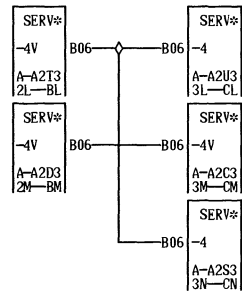
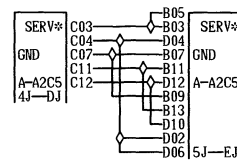
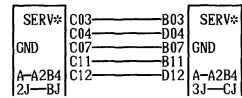
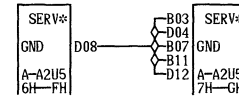
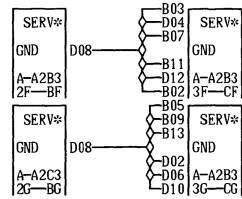
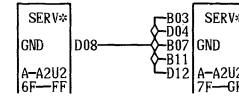
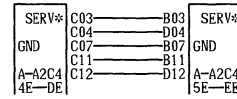
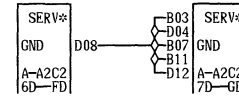
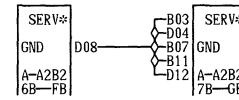
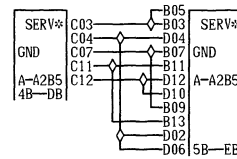
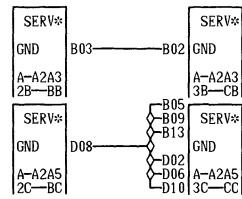
PART NO	DESCRIPTION	REF DESIGNATION	QTY
5796393	CAPACITOR 120Kμf 15V	C1, C2 NOTE 12	2
609391	CAPACITOR 500μf 25V	C3	1
5214372	CAPACITOR 18Kμf 25VDC	C4 NOTE 12	1
2392039	DIODE, 20A	CR1-CR6	6
2111232	DIODE, AM	CR7, CR8	2
132778	RESISTOR 62Ω 1W	R1	1
207324	RESISTOR .1A 5W	R2-R7	6
369214	TRANSISTOR (10B)	Q1-Q7	7
375465	-4V REG CARD NOTE 1	REGULATOR J1	1
375381	OVER/CURRENT CARD	D/C SENSE J2	1
2521578	4 VOLT MODULE	A1 AND A2	2
176618C	JUMPER TO HEATSINK	JUMPER 1 NOTE 11	1
2524632	JUMPER TO T1	JUMPER 2	6
1766360	PWR SYS FINAL ASM 50HZ	FIELD USE (CONVERTED)	
1766281	PWR SYS FINAL ASM 60HZ	DOMESTIC BUILT ONLY	
1766290	PWR SYS FINAL ASM 50HZ	ACTIVE	
1766291	PWR SYS FINAL ASM 60HZ	WORLD TRADE BUILT ONLY	
6272676	COVER ASM	S2	1
4487509	THERMAL		2

NOTES

- 1 USED ONLY IN MODULE A1, ALTERNATE PART NUMBER 375343
- 2 ALTERNATE PART NUMBER 375342
- 3 MOTOR ONLY-60 HZ, 5357090/50 HZ 4120171
- 4 P.S. P/N 1766360
- 5 P.S. P/N 1766290
- 6 P.S. P/N 1766281, 1766291, NOTE 8
- 7 SIMILAR TO LOGIC PART NUMBER 2521590 AT ENGINEERING CHANGE 734286
- 8 SCREWS SHIPPED WITH REPLACEMENT CAPACITORS C1, C2, & C4 ARE TOO SHORT. USE SCREW P/N 32617, .44(1.1, 1.5) LONG. IF BOARD HAS FEED THRU TERMINAL USE SCREW P/N 33262C, .50(1.2, 1.7) LONG.
- 9 60 HZ "COMMUNICATOR ONLY" AND "SELECTION LOGIC" MACHINES WILL HAVE A .16A RESISTOR PART NUMBER 2521454 ON THE A2 BOARD AND A .1A RESISTOR PART NUMBER 2521599 ON THE A1 BOARD.
- 10 P.S. 1766360, 50 HZ, HAS A .1A ON A1 BOARD AND A .16 ON A2 BOARD.
- 11 DRESS JUMPER TERMINAL SHANKS TOWARD EACH OTHER TO PREVENT POSSIBLE SHORTING TO ADJACENT LANDS.

THIS DOCUMENT IS THE PROPERTY OF IBM. ITS USE IS AUTHORIZED ONLY FOR RESPONDING TO A REQUEST FOR QUOTATION OR FOR THE PERFORMANCE OF WORK FOR IBM. ALL QUESTIONS MUST BE REFERRED TO THE IBM PURCHASING DEPARTMENT.

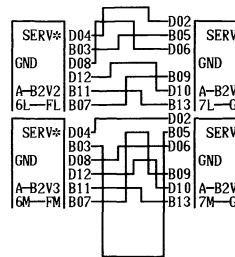
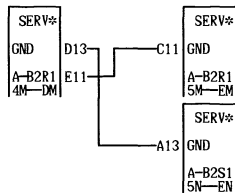
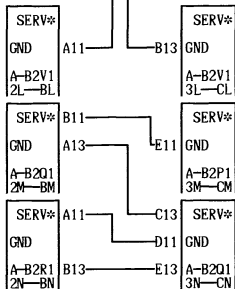
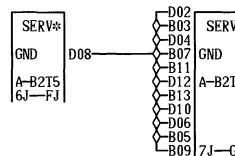
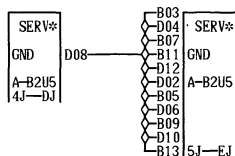
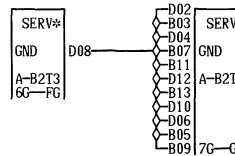
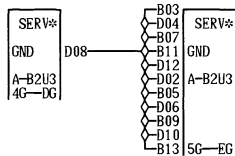
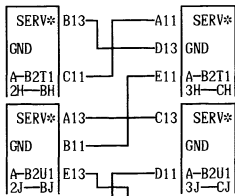
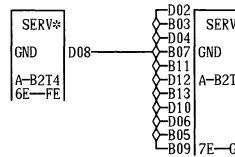
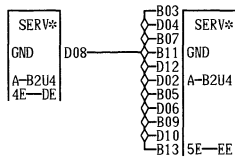
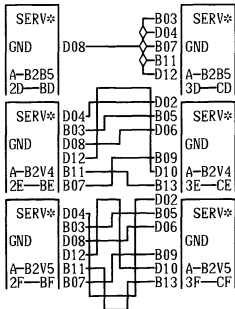
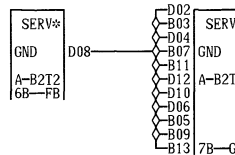
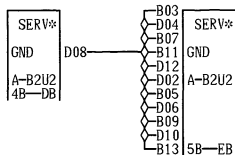
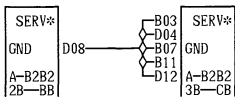
NAME		COMPONENT LOCATION	HIST	DATE	CHANGE NO	DATE	CHANGE NO
CHART-D.C. SECTION		50/60HZ		17DEC76	449059		
DESIGN	KRD		SHT OF				
DETAIL	LD	11MAY73					
CHECK	VLG	15MAY73	CLASSIFICATION	MUST CONFORM TO ENG SPEC	DEVELOPMENT NO	LOGIC PG NO	
APPRO		N-JFI 10MAR73					



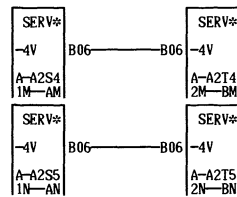
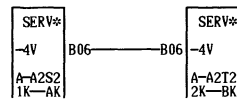
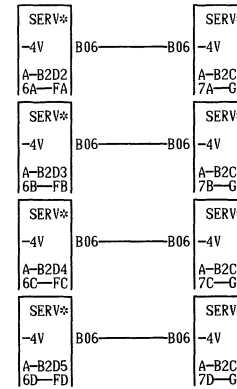
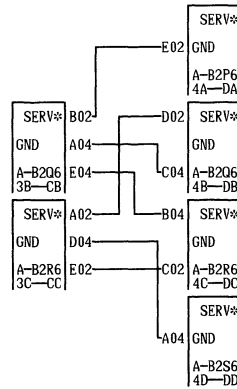
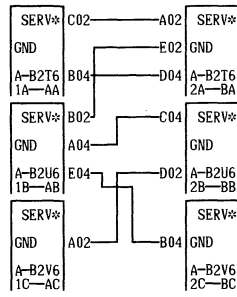
07-17-73 734098

Z
V
0
0
1
000

DATE	08-18-81	MACH.	3803-2	Z
LOG	0016	FRAME	01	V
		P.N.	2736510	0
IBM CORP.	SDD	BLK.	GJ	1
				000



07-17-73 734098

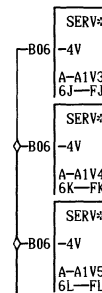
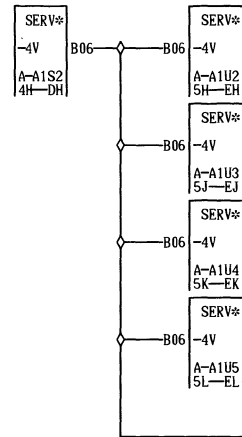
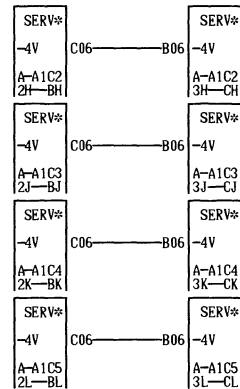
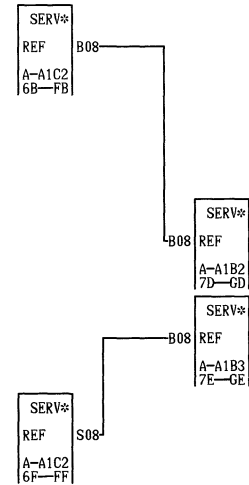
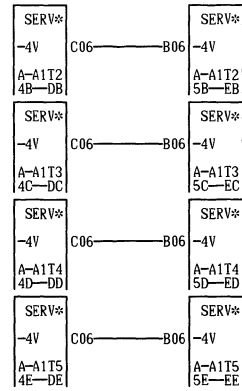
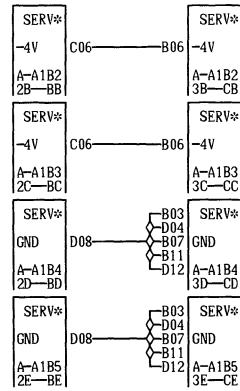


07-17-73 734098

SERVICE VOLTAGE PAGE			
DATE	08-18-81	MACH.	3803-2
LOG	0016	FRAME	01
		P.N.	2736512
IBM CORP.	SDD	BLK.	GE

Z
V
0
0
3
000

Z
V
0
0
3
000



07-17-73 734098

Z
V
0
0
4
000

SERVICE VOLTAGE PAGE
 DATE 08-18-81 MACH. 3803-2
 LOG 0016 FRAME 01
 P.N. 2736513
 IBM CORP. SDD BLK. GH

Z
V
0
0
4
000

