

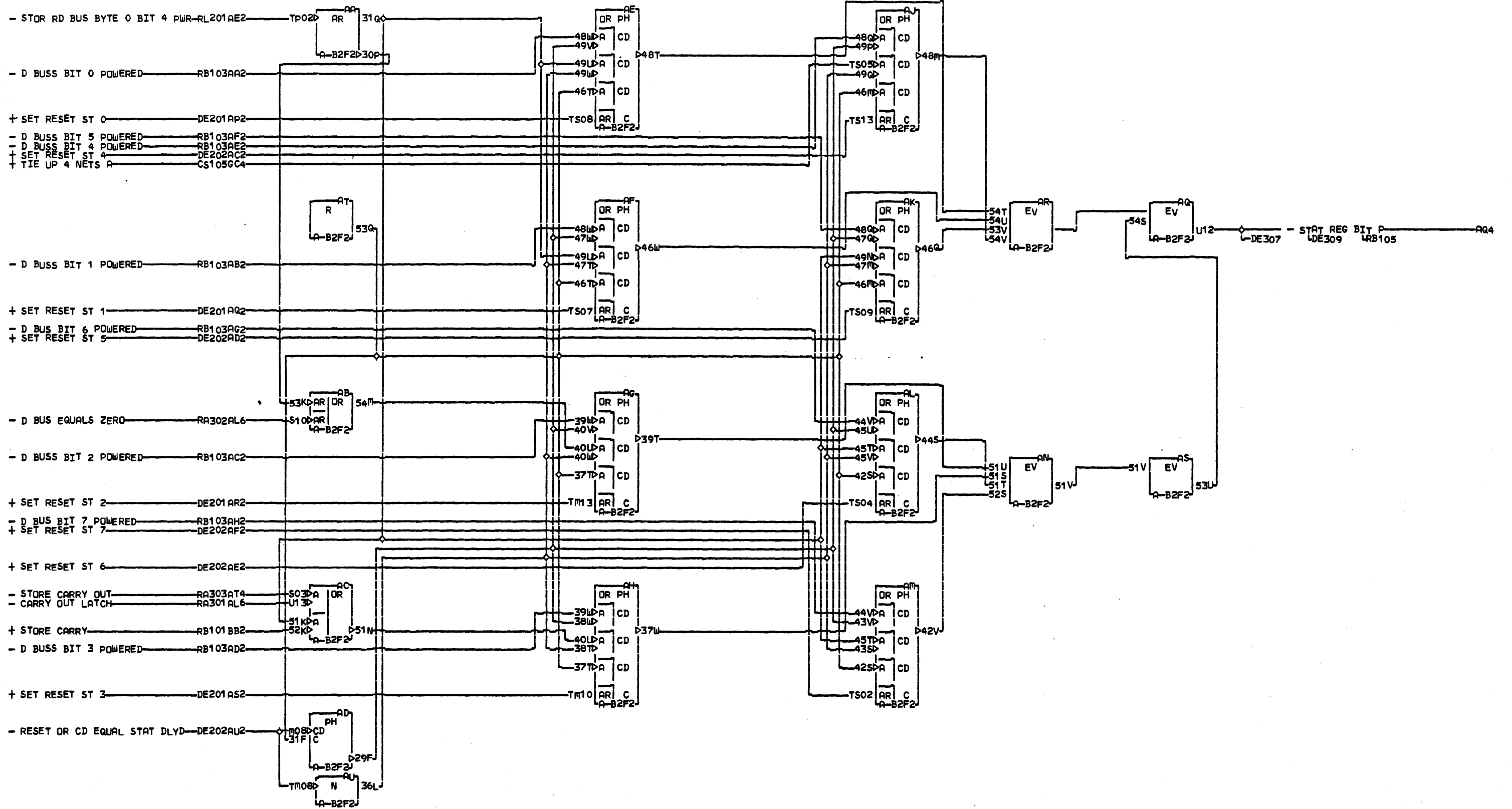
AJ6 A-B2L2B12
1 01A-B1T1E11

LOC. TYPE
A-B2F2 0687

STAT REGISTER	
E.C. HISTORY	MACH. 3830-2
437301	FRAME 01
437302	IBM CORP.
DATE	LAST EC
06-15-73	437310
P.N.	2345846

RB101

RB101

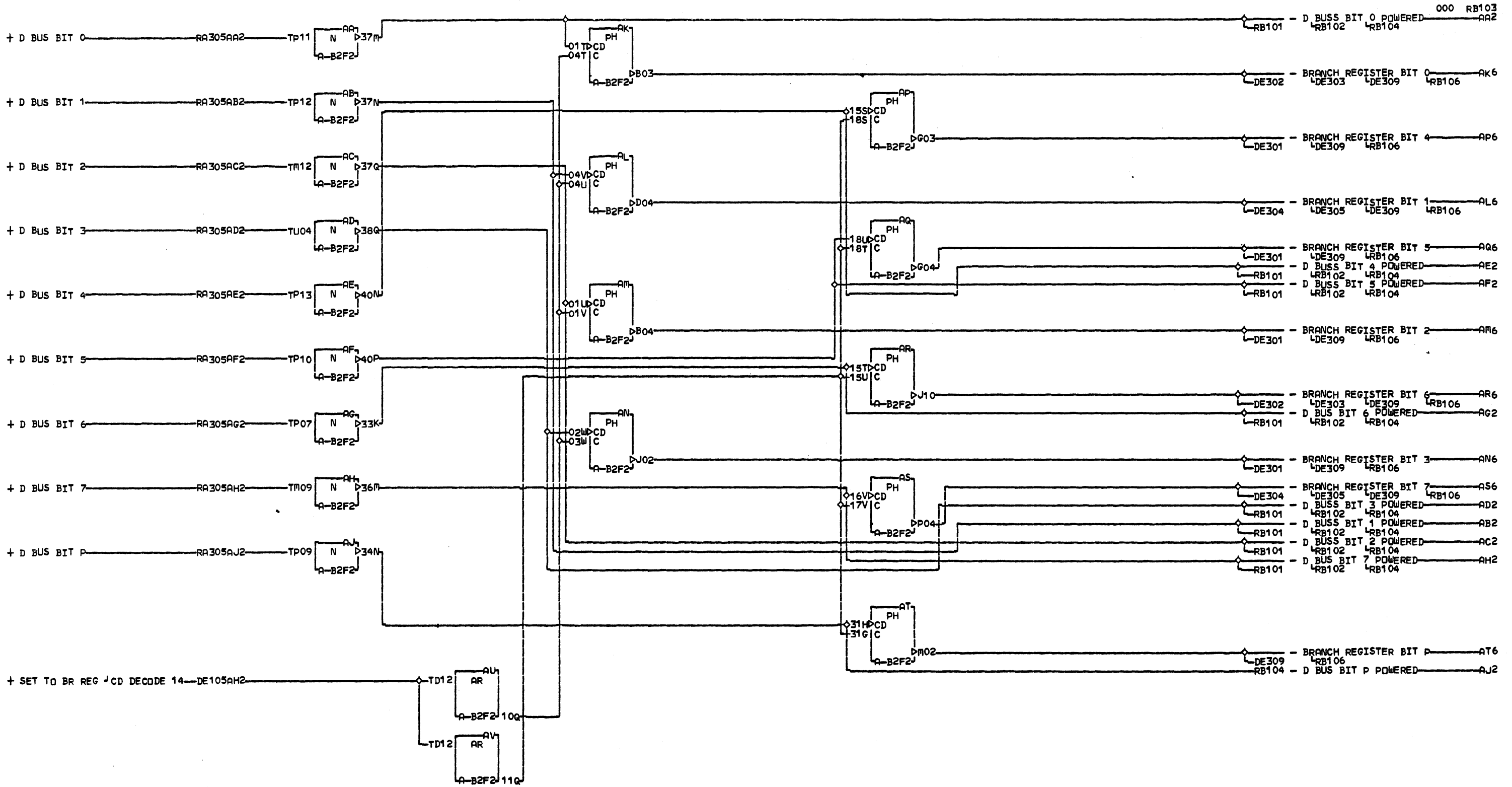


LDC TYPE
A-B2F2 0687

STAT REGISTER PARITY	
E.C. HISTORY 437301	MACH. 3830-2 FRAME 01
DATE 06-15-73	IBM CORP. P.N. 2345847
LAST EC 437310	

RB102
000

RB102
000



RB103
000

LDC TYPE
A-B2F2 0687

BRANCH REGISTER	
E.C. HISTORY 437301	MACH. 3830-2 FRAME 01
DATE LAST EC 06-15-73 437310	IBM CORP. P.N. 2345848

RB103
000

IBM

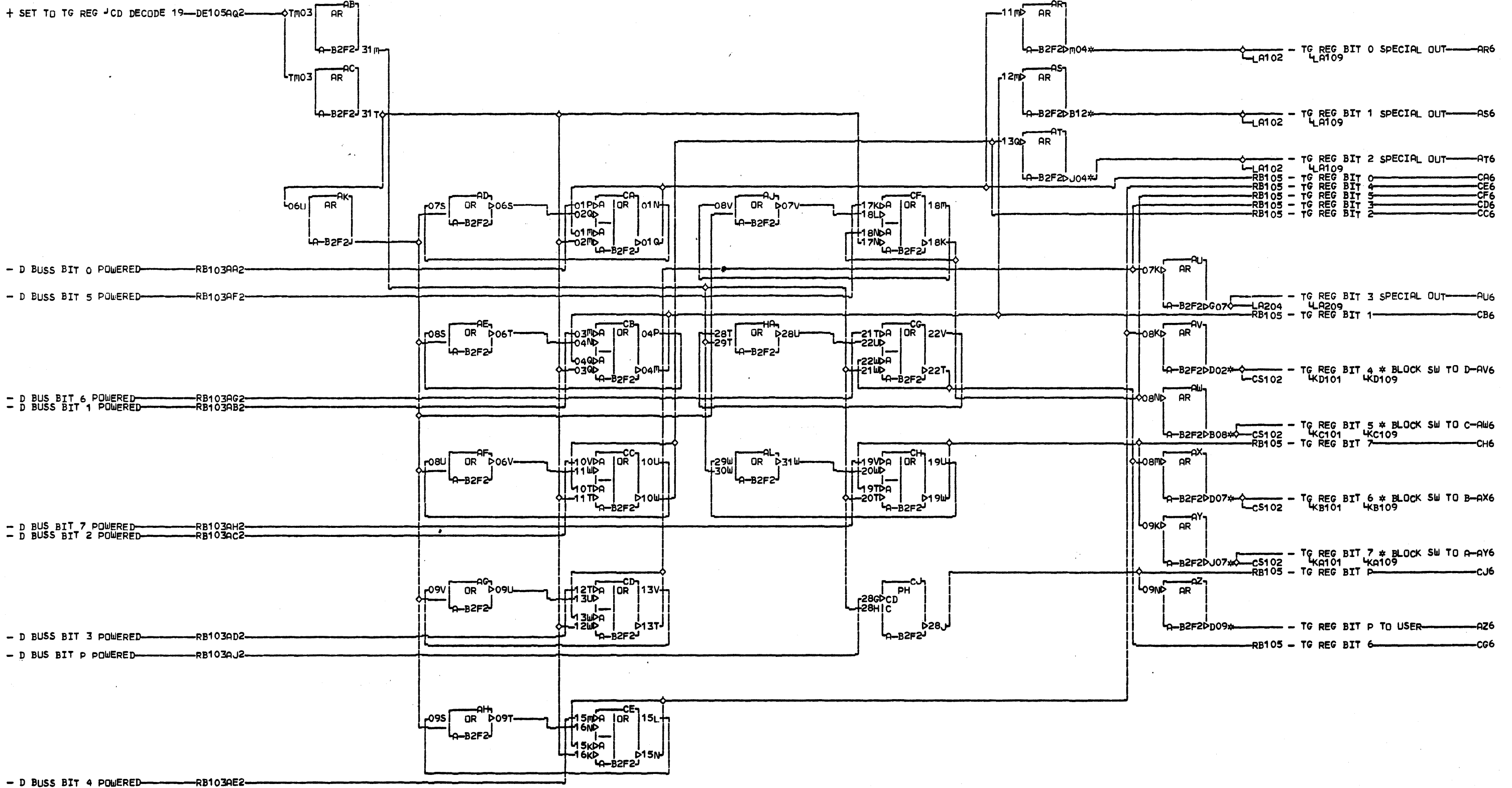
CONFIDENTIAL

UNTIL 03-30-76

UNCLASSIFIED

THEREAFTER

005 RB104



R
B
1
0
4

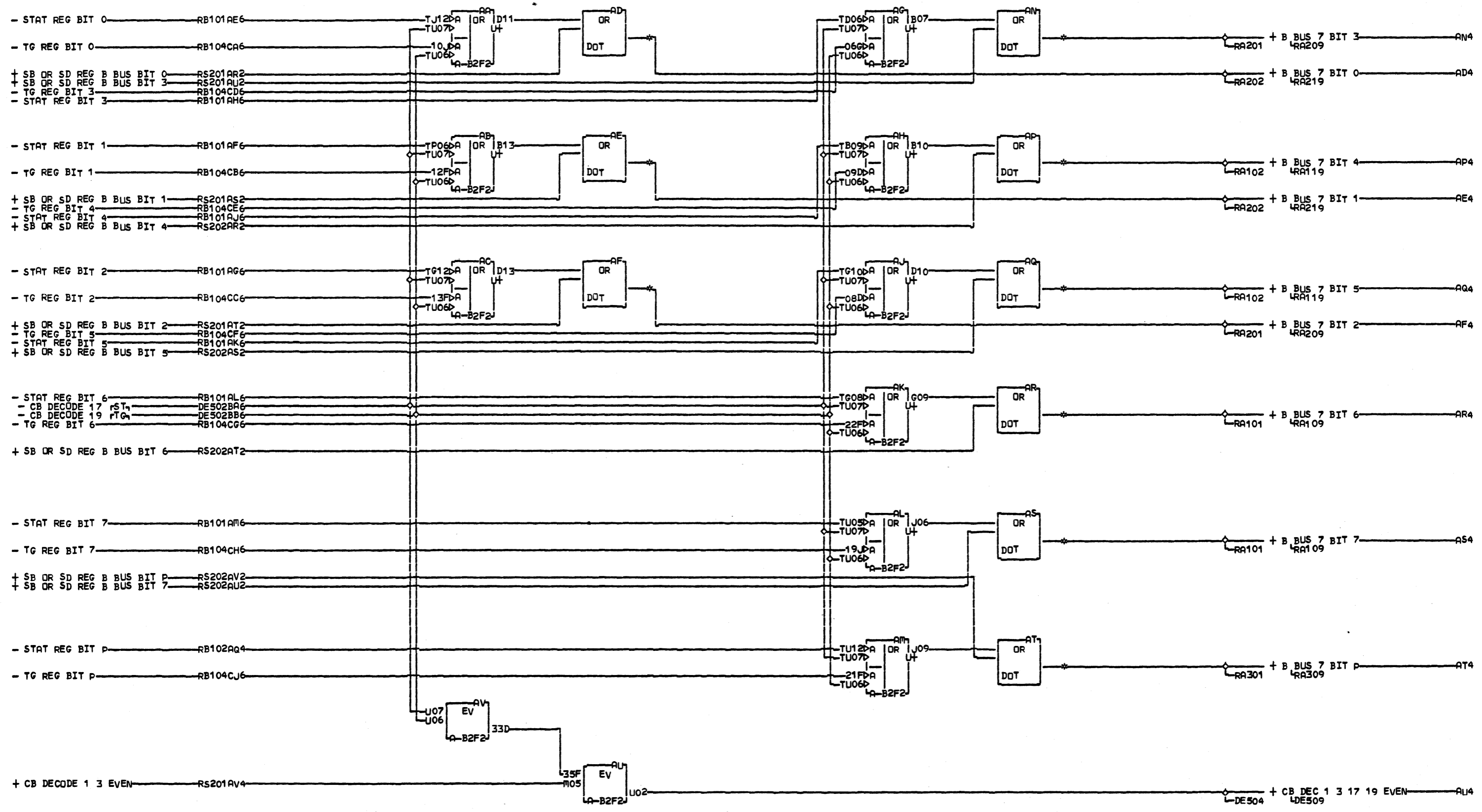
005COPYRIGHT IBM CORP 1976
SIM TO PN 2345849 EC 437310

AR6 A-B2L2B11 A 01A-A1N1B11
 A 01A-B1V4B11 AX6 A-B2A5B11
 AS6 A-B2L2B12 A 01A-A1N1C11
 A 01A-B1V4B12 AY6 A-B2A5B12
 AT6 A-B2L2B13 A 01A-A1N1D11
 A 01A-B1V4B13 AZ6 A-B2A5B13
 AV6 A-B2A5B09 A 01A-A1N1E11
 A 01A-A1N1A11
 AW6 A-B2A5B10

LOC. TYPE
A-B2F2 0687

TG REGISTER	
E.C. HISTORY	MACH. 3830-2
437380	FRAME 01
DATE	IBM CORP.
11-28-75	P.No. 2290425
LAST EC	
437381	

R
B
1
0
4
005



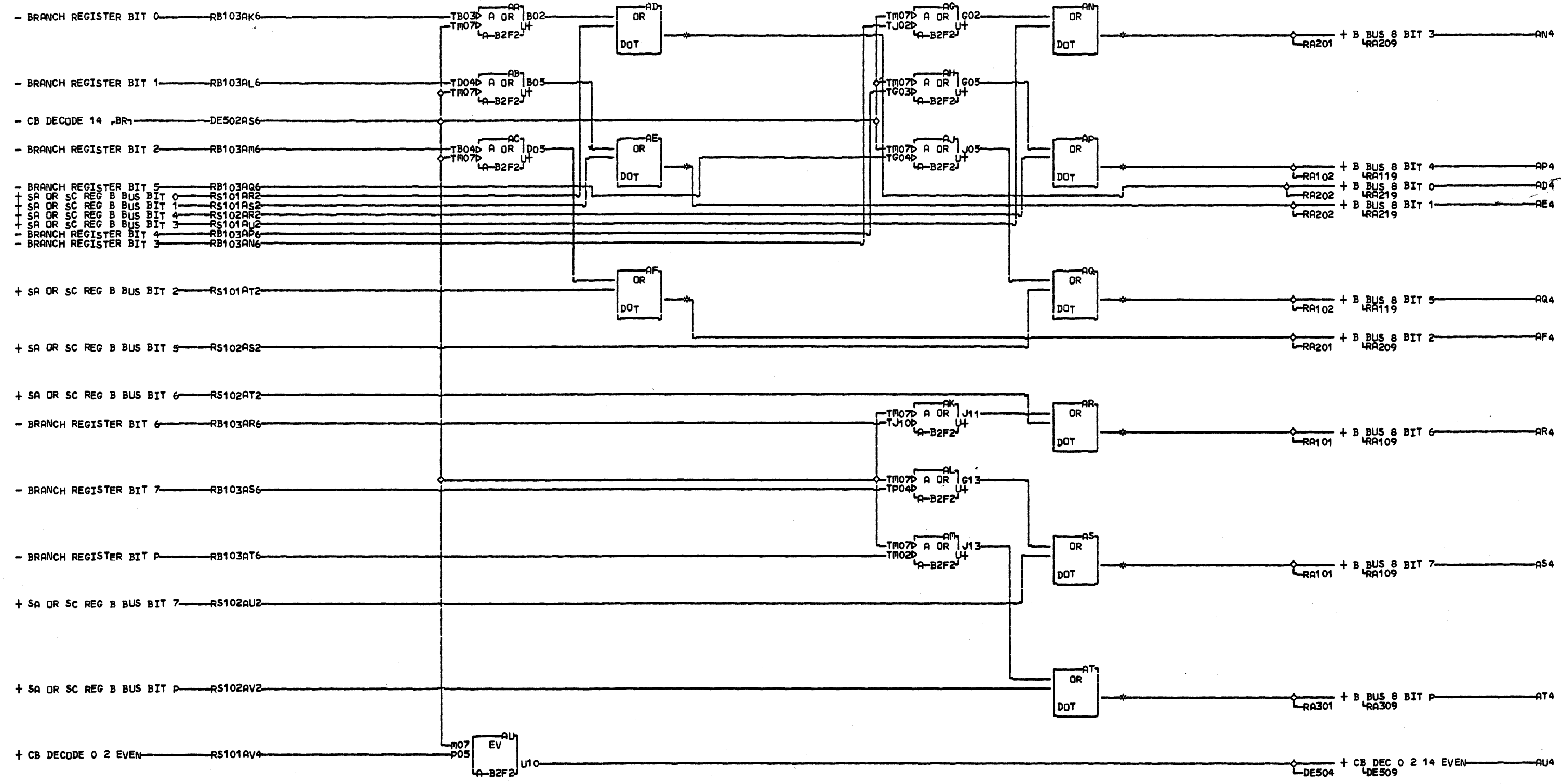
R
B
1
0
5
000

AD4	A-B2K1A11	A	01A-B1J6B04
A	01A-B1K6A04	AQ4	A-B2J1A11
AE4	A-B2J1E11	A	01A-B1J6A04
A	01A-B1J6E04	AR4	A-B2H1E11
AF4	A-B2J1D11	A	01A-B1H6E04
A	01A-B1J6D04	AS4	A-B2H1D11
AN4	A-B2J1C11	A	01A-B1H6D04
A	01A-B1J6C04	AT4	A-B2M1D13
AP4	A-B2J1B11	A	01A-B1H6D02

LOC. TYPE
A-B2F2 0687

STAT TG REG B ASSEM AND B BUS 8	
E.C. HISTORY 437301	MACH. 3830-2
DATE LAST EC 06-15-73 437310	FRAME 01
	IBM CORP.
	P.No. 2345850

R
B
1
0
5
000

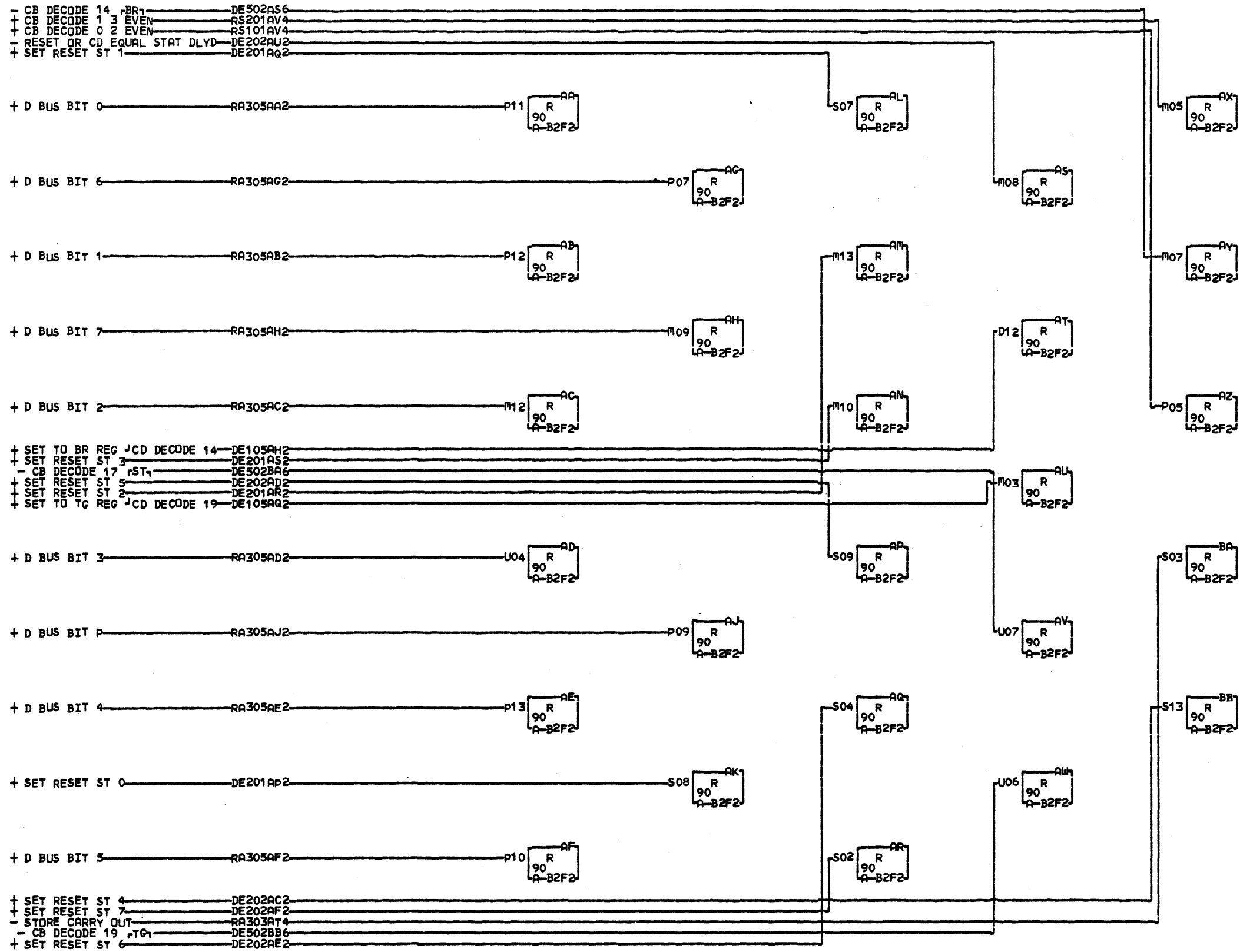


AD4 A-B2M1B13 A 01A-B1H6C02
 A 01A-B1M6B02 AQ4 A-B2H1D13
 AE4 A-B2M1A13 A 01A-B1H6D02
 A 01A-B1M6A02 AR4 A-B2H1E13
 AF4 A-B2L1E13 A 01A-B1H6E02
 A 01A-B1L6E02 AS4 A-B2J1A13
 AN4 A-B2L1D13 A 01A-B1J6A02
 A 01A-B1L6D02 AT4 A-B2M1C13
 AP4 A-B2H1C13 A 01A-B1M6C02

LOC. TYPE
 A-B2F2 0687

BR REG B ASSEM	
E.C. HISTORY 437301	B1 MACH. 3830-2
DATE 06-15-73	LAST EC 437310
FRAME IBM CORP.	P.N. 2345851

R
B
1
0
6
000

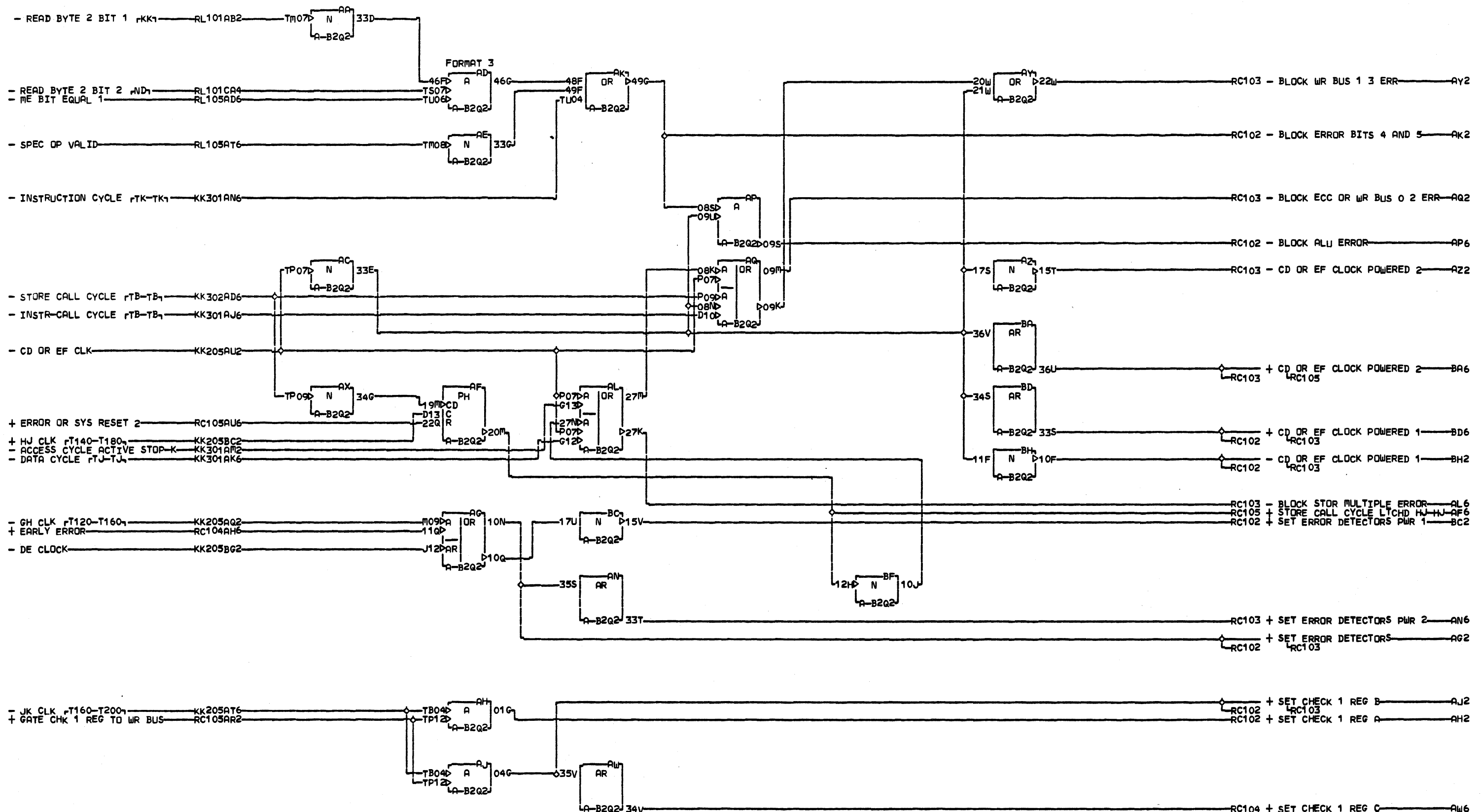


LOC. TYPE
A-B2F2 0687

TERMINATORS	
-E.C.-HISTORY- 437301 437305	B MACH.3830-2 FRAME 01 IBM CORP. SDD
DATE LAST EC 06-15-73 437310	P.No. 2345852

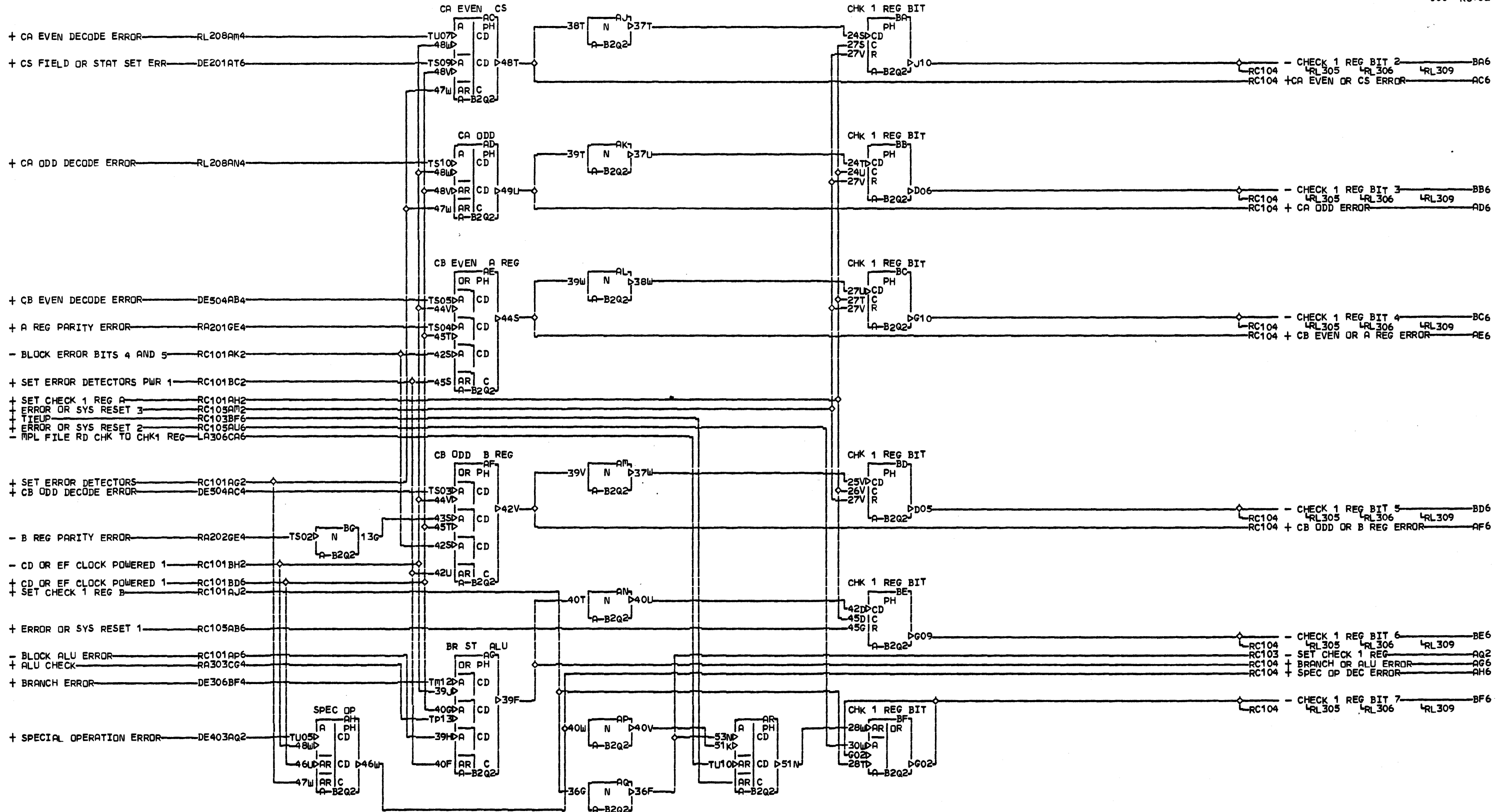
RB
109
000

RB
109
000



LOC. TYPE
A-B2Q2 0710

CHECK 1 REGISTER GATING	
-E.C.-HISTORY	B-MACH.3830-2
437301	FRAME 01
	IBM CORP. SDD
DATE LAST EC	P.No. 2345853
06-15-73 437310	



- + CA EVEN DECODE ERROR — RL208AM4
- + CS FIELD OR STAT SET ERR — DE201AT6
- + CA ODD DECODE ERROR — RL208AN4
- + CB EVEN DECODE ERROR — DE504AB4
- + A REG PARITY ERROR — RA201GE4
- BLOCK ERROR BITS 4 AND 5 — RC101AK2
- + SET ERROR DETECTORS PWR 1 — RC101BC2
- + SET CHECK 1 REG A ERROR OR SYS RESET 3 — RC101AH2
- + TIEUP — RC103BF6
- + ERROR OR SYS RESET 2 — RC105AL6
- MPL FILE RD CHK TO CHK1 REG — LA306CA6
- + SET ERROR DETECTORS — RC101AG2
- + CB ODD DECODE ERROR — DE504AC4
- B REG PARITY ERROR — RA202GE4
- CD OR EF CLOCK POWERED 1 — RC101BH2
- + CD OR EF CLOCK POWERED 1 — RC101BD6
- + SET CHECK 1 REG B — RC101AJ2
- + ERROR OR SYS RESET 1 — RC105AB6
- BLOCK ALU ERROR — RC101AP6
- + ALU CHECK — RA303CG4
- + BRANCH ERROR — DE306BF4
- + SPECIAL OPERATION ERROR — DE403AQ2

LOC. TYPE
A-B2Q2 0710

CHECK 1 REG BITS 2-7	
—E.C.—HISTORY—	B-MACH-3830-2
437301	FRAME 01
DATE LAST EC	IBM CORP. SDD
06-15-73 437310	P.No. 2345854

IBM

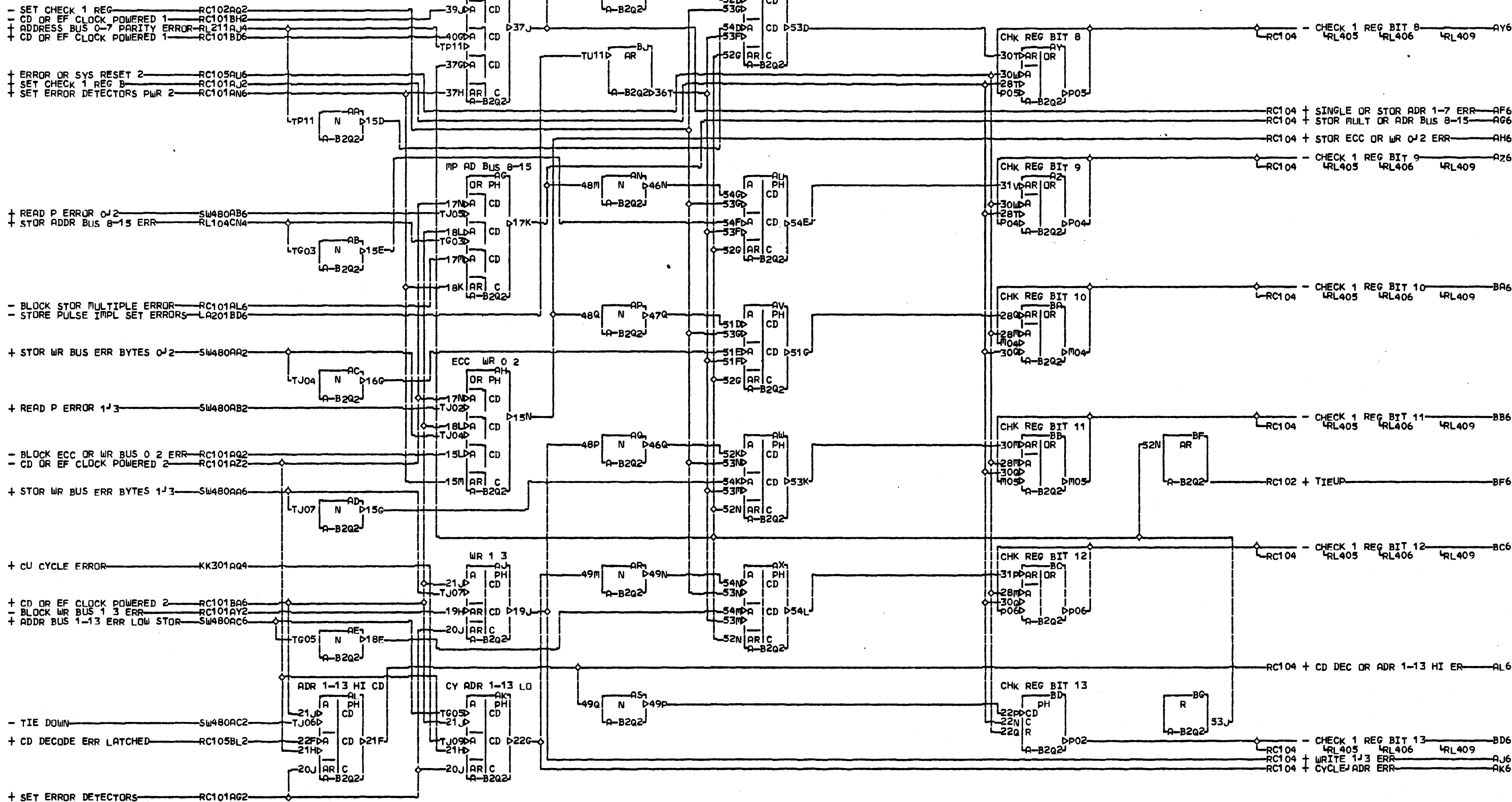
CONFIDENTIAL
SNG AD BUS 1-7

UNTIL 03-30-76

UNCLASSIFIED

THEREAFTER

005 RC103

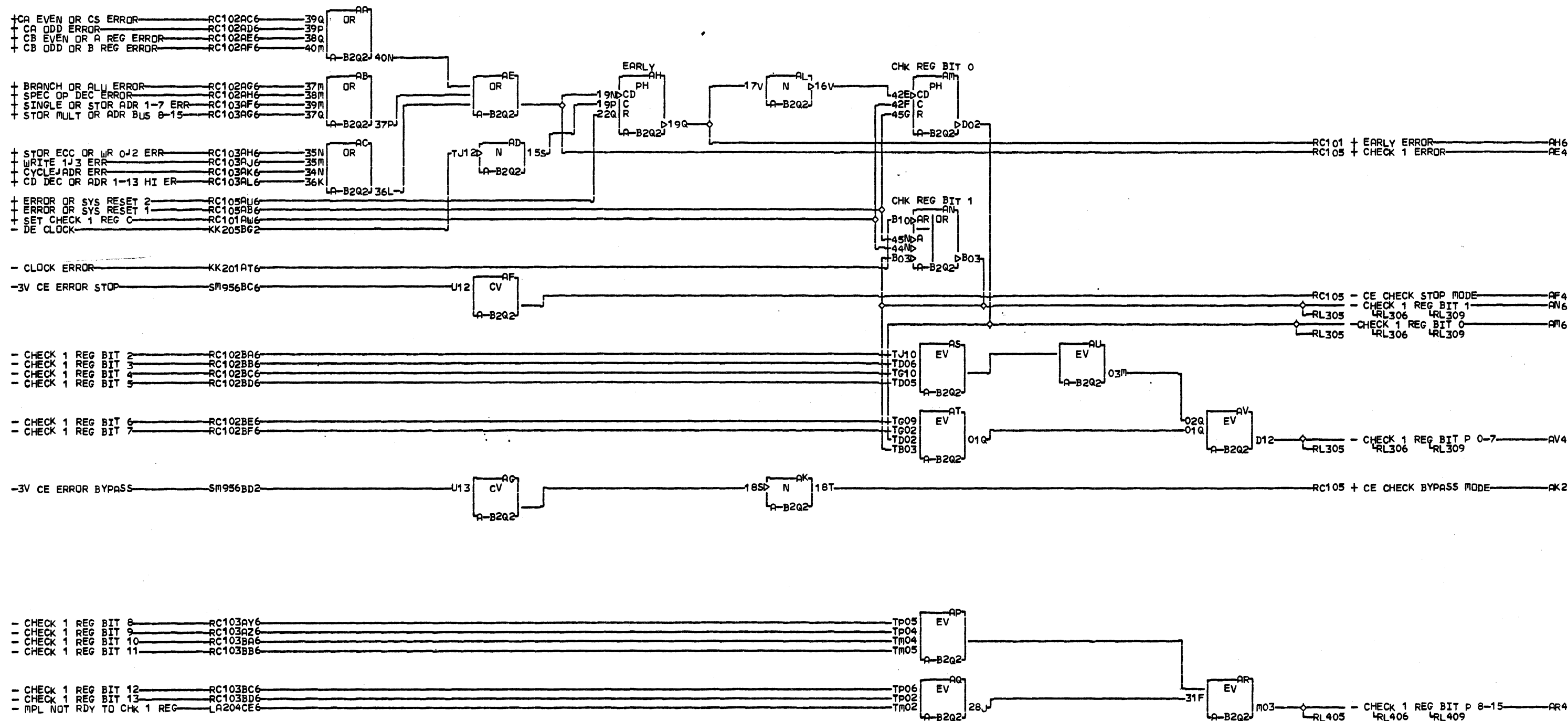


LOC. TYPE
A-B2Q2 0710

CHECK 1 REG BITS 8-13	
E.C. HISTORY 437380	B-MACH. 3830-2
DATE 11-28-75	LAST EC 437381
FRAME 01	IBM CORP. SDD
P.No. 2290426	

RC103

100

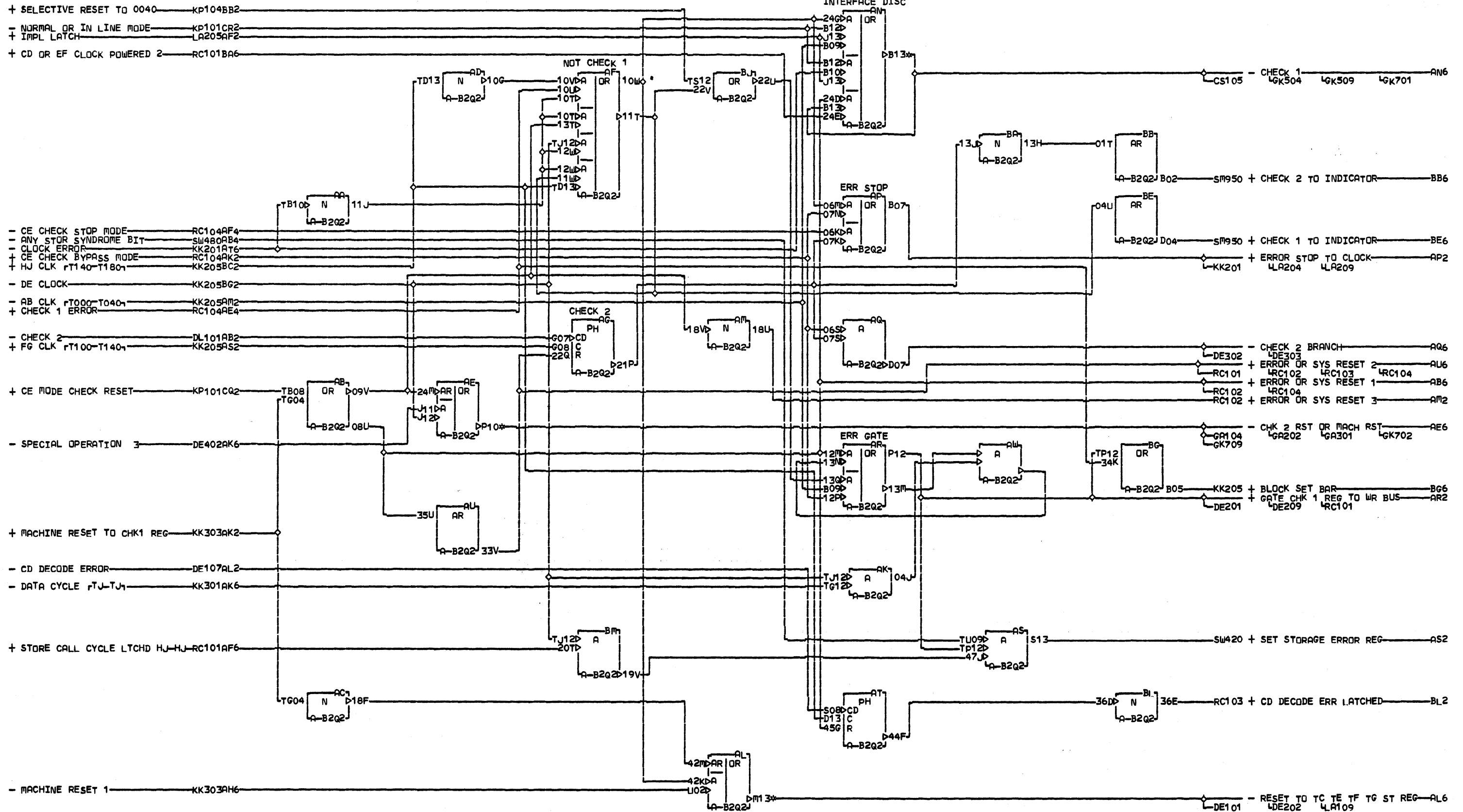


RC104

LOC. TYPE
A-B2Q2 0710

CHECK 1 REG BITS 0-1	
E.C. HISTORY	B MACH. 3830-2
437301	FRAME 01
DATE LAST EC	IBM CORP. SDD
06-15-73 437310	P.No. 2345856

RC104



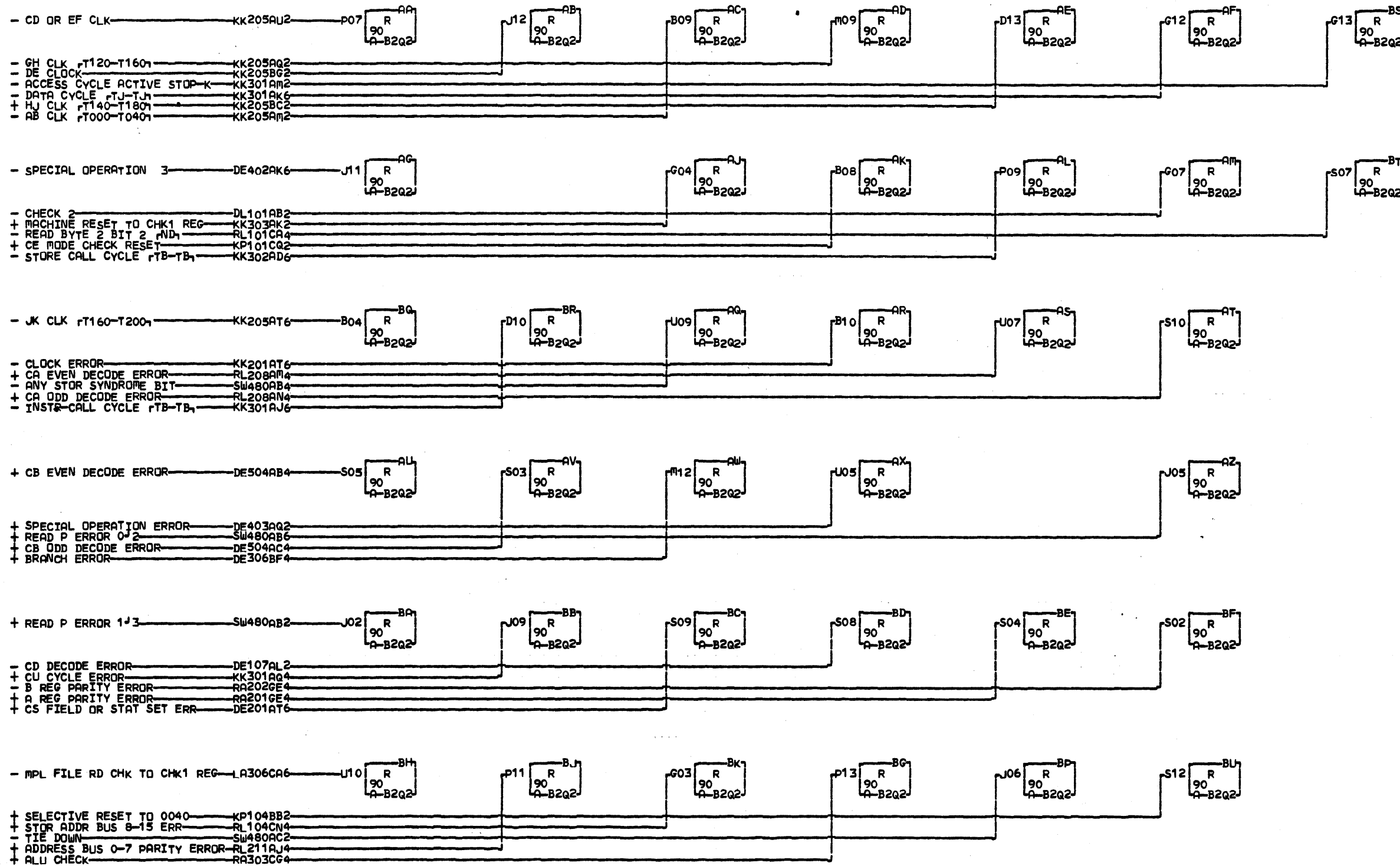
R
C
1
0
5
 AE6 A-B2U4B07
 A 01A-B1U2B07
 B 01A-B1R1C11
 B 01A-A1V4D10
 AL6 A-B2U2D10
 A 01A-B1V4D10
 AN6 A-B2R6A04
 A 01A-A1R1A13

005COPYRIGHT IBM CORP 1976
 SIM TO PN 2345857 EC 437310

LOC. TYPE
 A-B2Q2 0710

CHECK 1 REGISTER CONTROLS	
E.C.-HISTORY 437380	MACH.3830-2
DATE 11-28-75	FRAME 01
LAST EC 437381	IBM CORP. SDD
	P.N. 2290427

R
C
1
0
5
 005

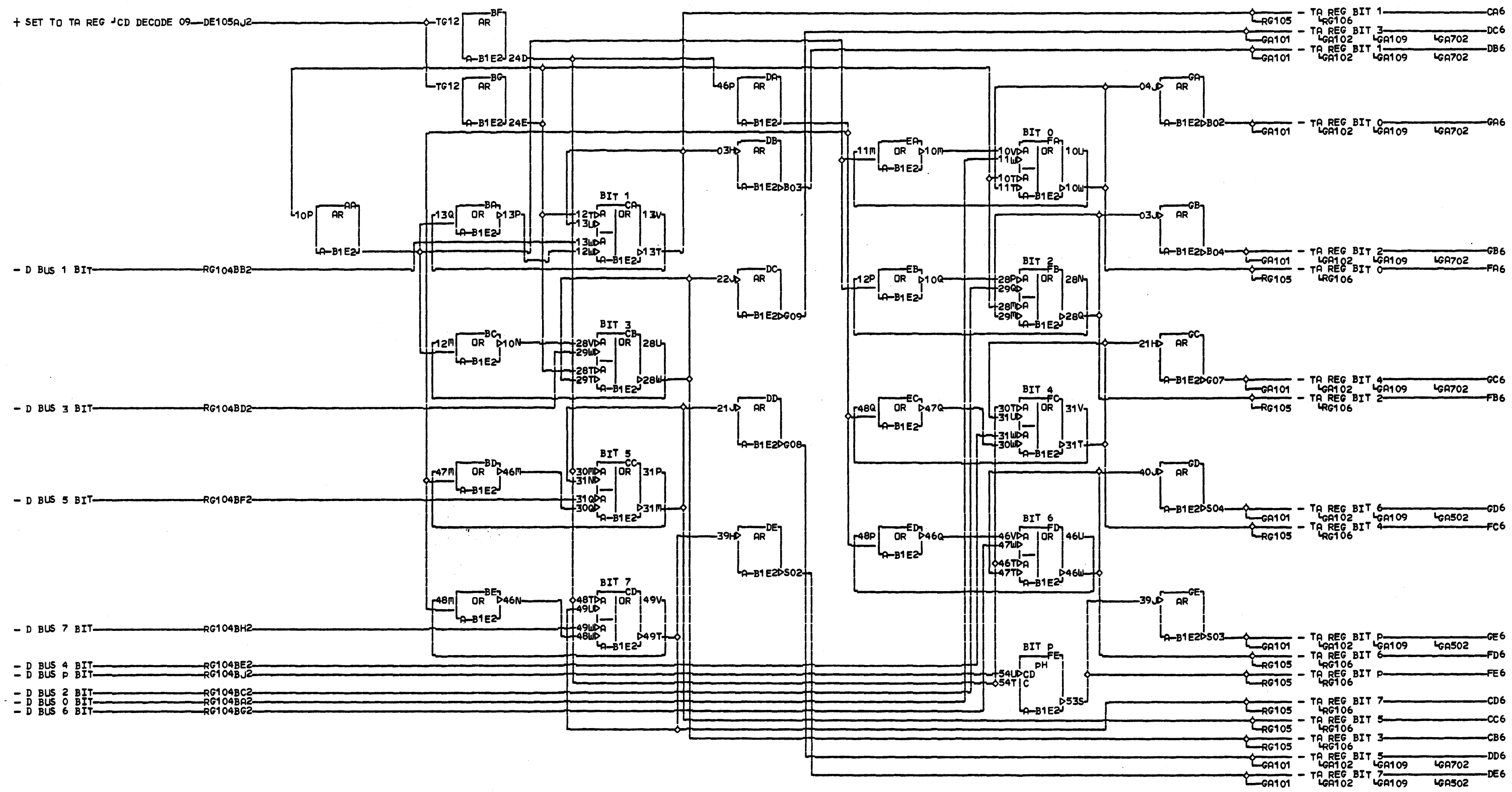


LOC. TYPE
A-B2Q2 0710

RC109

ERROR CONTROL TERMINATOR PAGE	
E.C. HISTORY 437380	MACH. 3830-2
DATE 11-28-75	LAST EC 437381
FRAME 01	IBM CORP. SDD
	P.No. 2290486

RC109

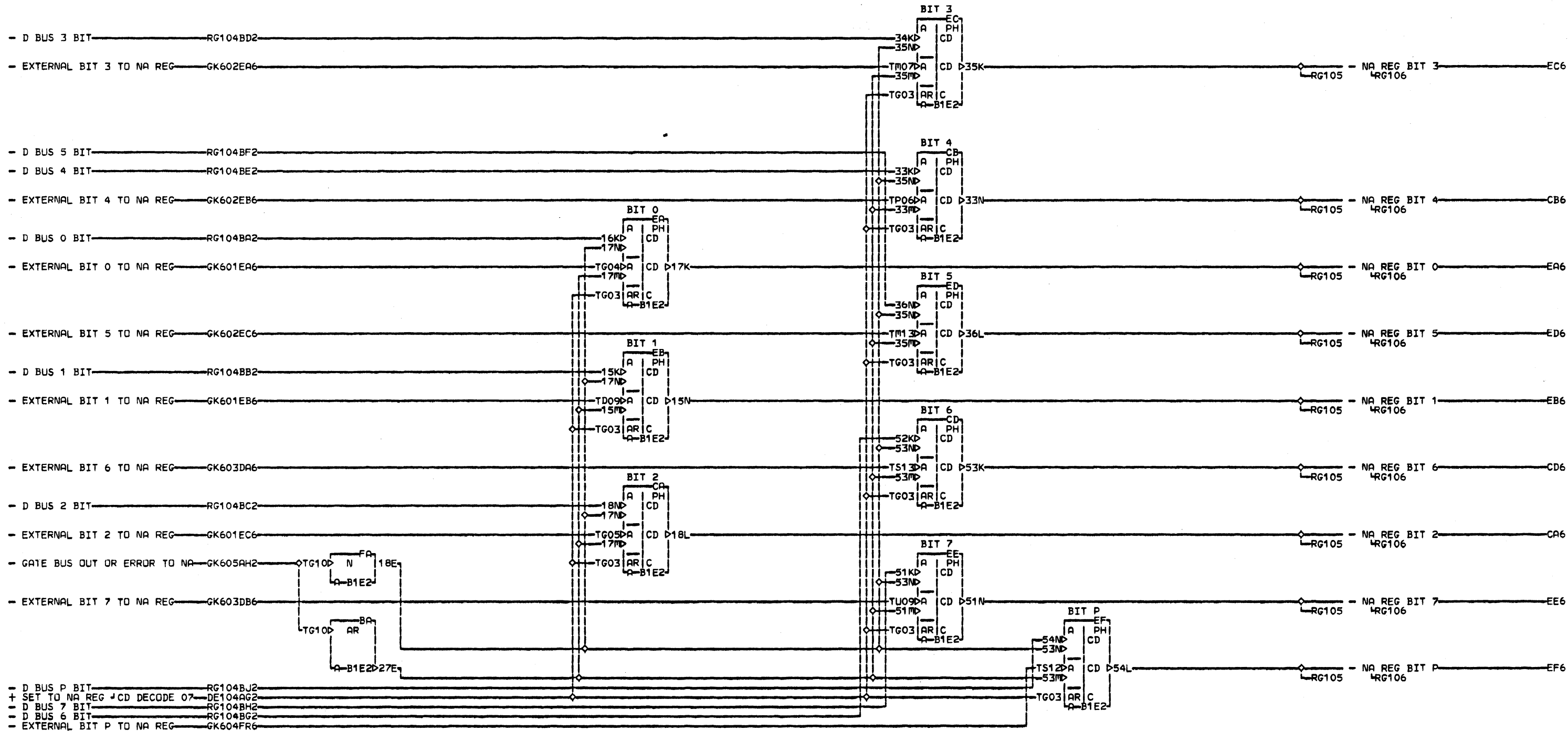


RG101

LOC. TYPE
A-B1E2 0691

STANDARD G.P. REGISTER	
TA REGISTER	
E.C. HISTORY	MACH. 3830-2
437301	FRAME 01
437308	IBM CORP. SD
DATE LAST EC	P.N. 2345859
06-15-73 437310	

RG101

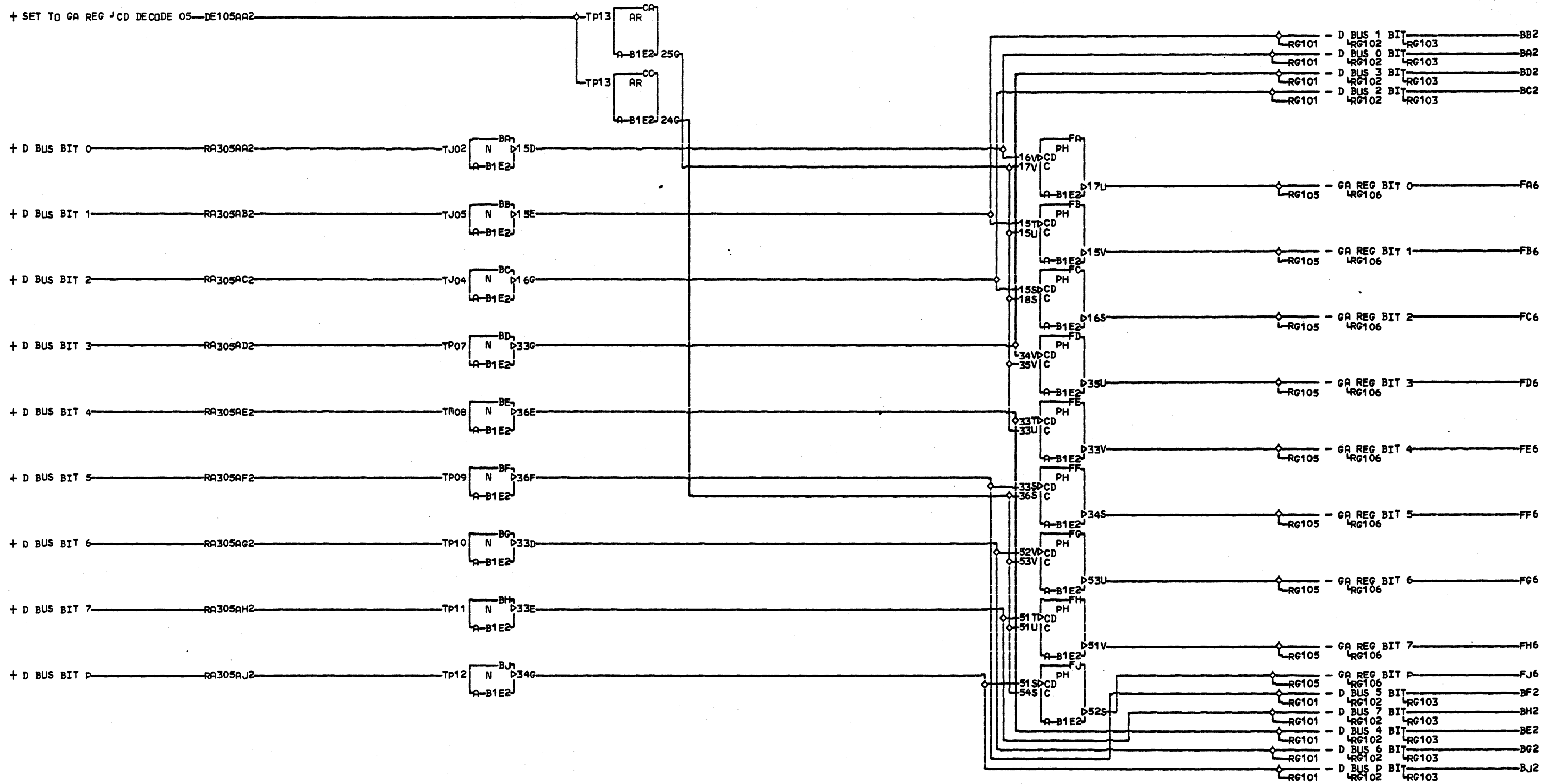


RG103

002 SIM TO PN EC 437305

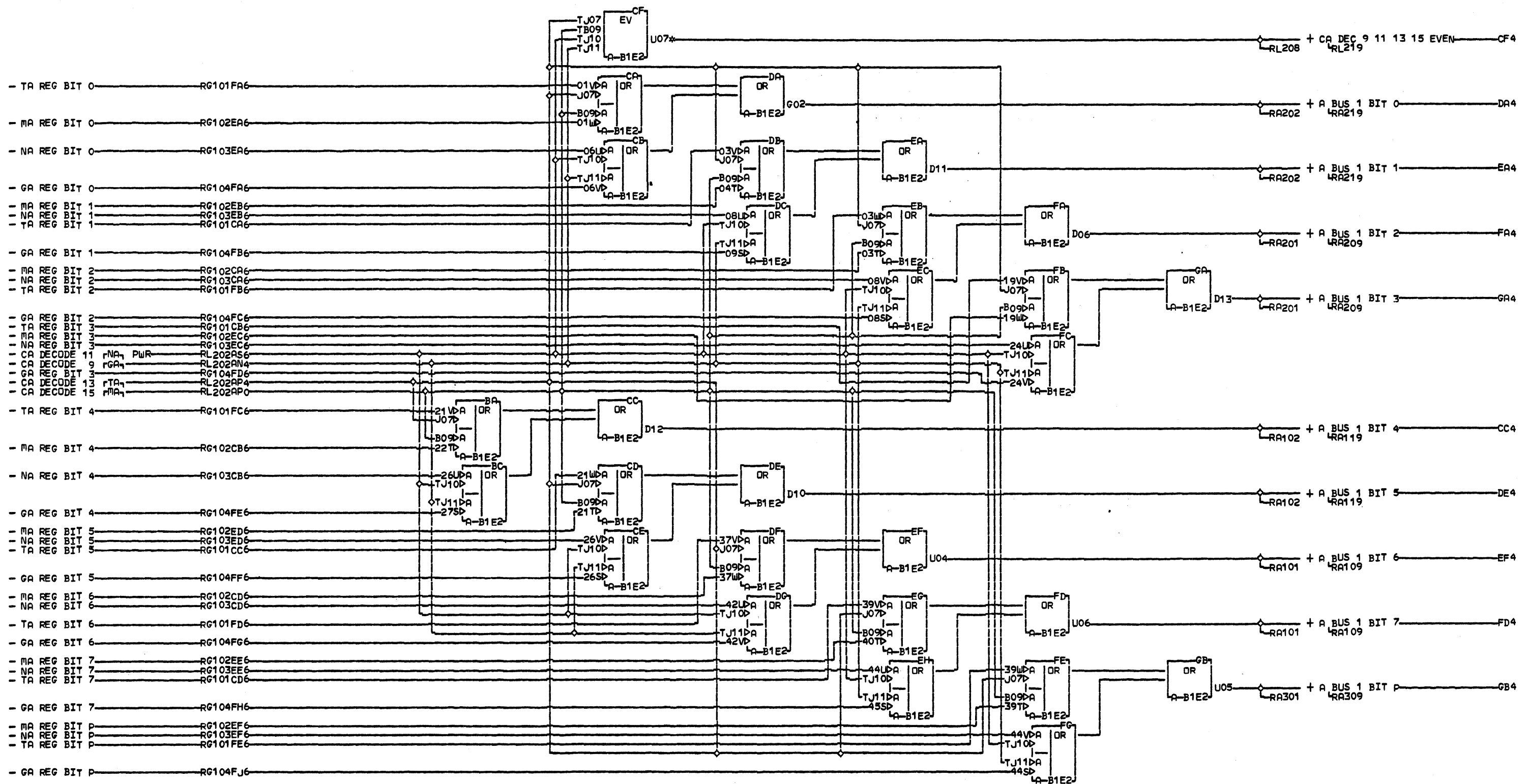
LOC. TYPE A-B1E2 0691

STANDARD G.P. REGISTER		RG103
NA REGISTER		
E.C. HISTORY	MACH. 3830-2	01
437357		
DATE	LAST EC	IBM CORP. SD
04-16-73	437311	
P.No. 2346281		002



LOC. TYPE
A-B1E2 0691

STANDARD G.P. REGISTER		R G 1 0 4
GA REGISTER		
E.C. HISTORY	B. MACH. 3830-2	000
437301	FRAME 01	
DATE	LAST EC	IBM CORP. SD
06-15-73	437310	
P.N. 234562		

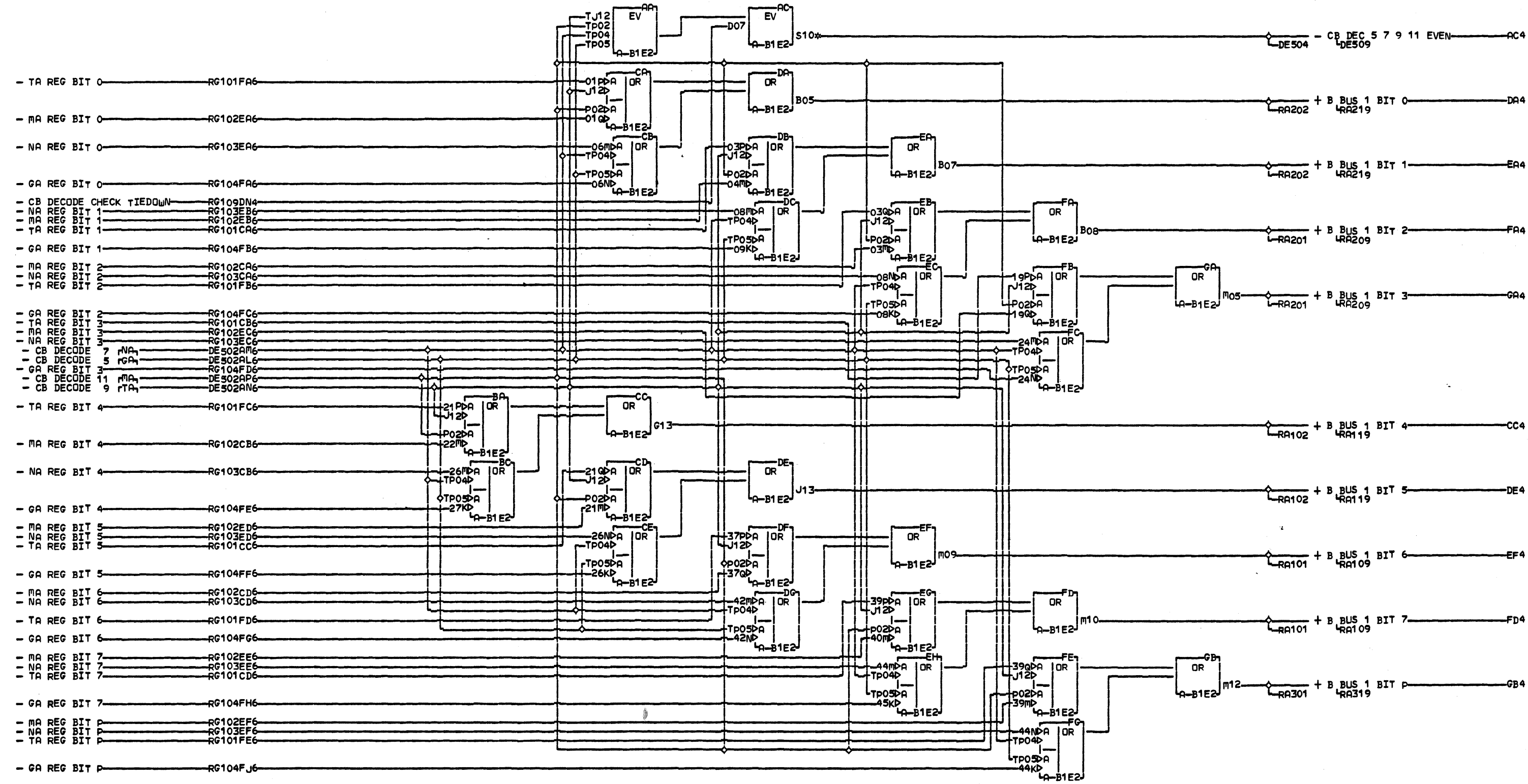


CF4 A-B1A6D04
 A 01A-B2M1E11

LOC. TYPE
 A-B1E2 0691

STANDARD G.P. REGISTER A		R G 1 0 5
PARTIAL A BUS ASSEM		
-E.C.-HISTORY	MACH. 3830-2	I B M C O R P. S D
437301		
DATE	LAST EC	P a N o 2 3 4 5 8 6 3
06-15-73	437310	

R
G
1
0
5



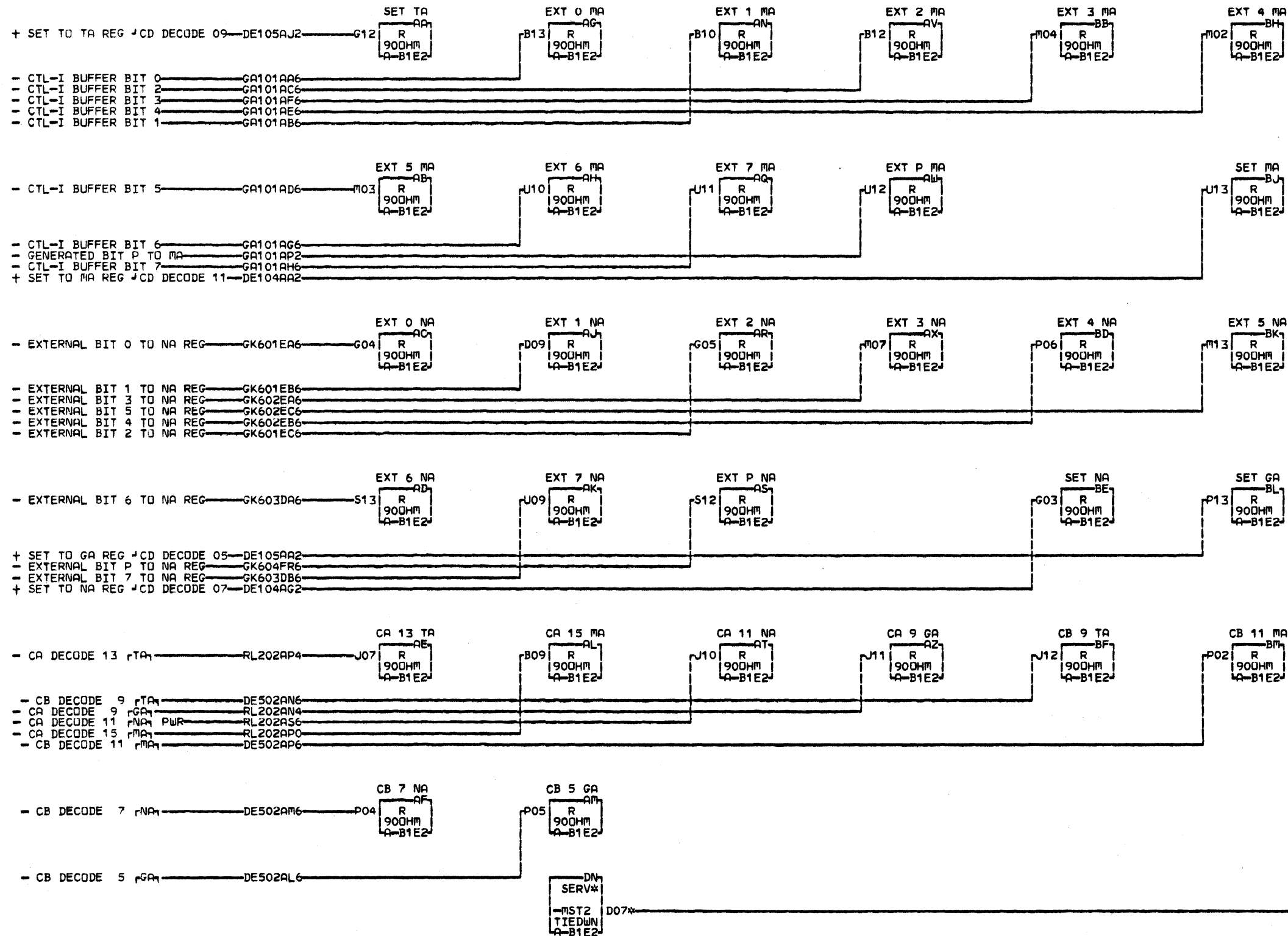
AC4 A-B1A6E04
A 01A-B2N1A11

LOC. TYPE
A-B1E2 0691

STANDARD G.P. REGISTER A		R G 1 0 6
PARTIAL B BUS ASSEM		
-E.C.-HISTORY	MACH. 3830-2	000
437301	FRAME 01	
DATE LAST EC	IBM CORP. SD	000
06-15-73 437310	P.No. 2345864	

R
G
1
0
6

000



RG109

002 SIM TO PN EC 437310

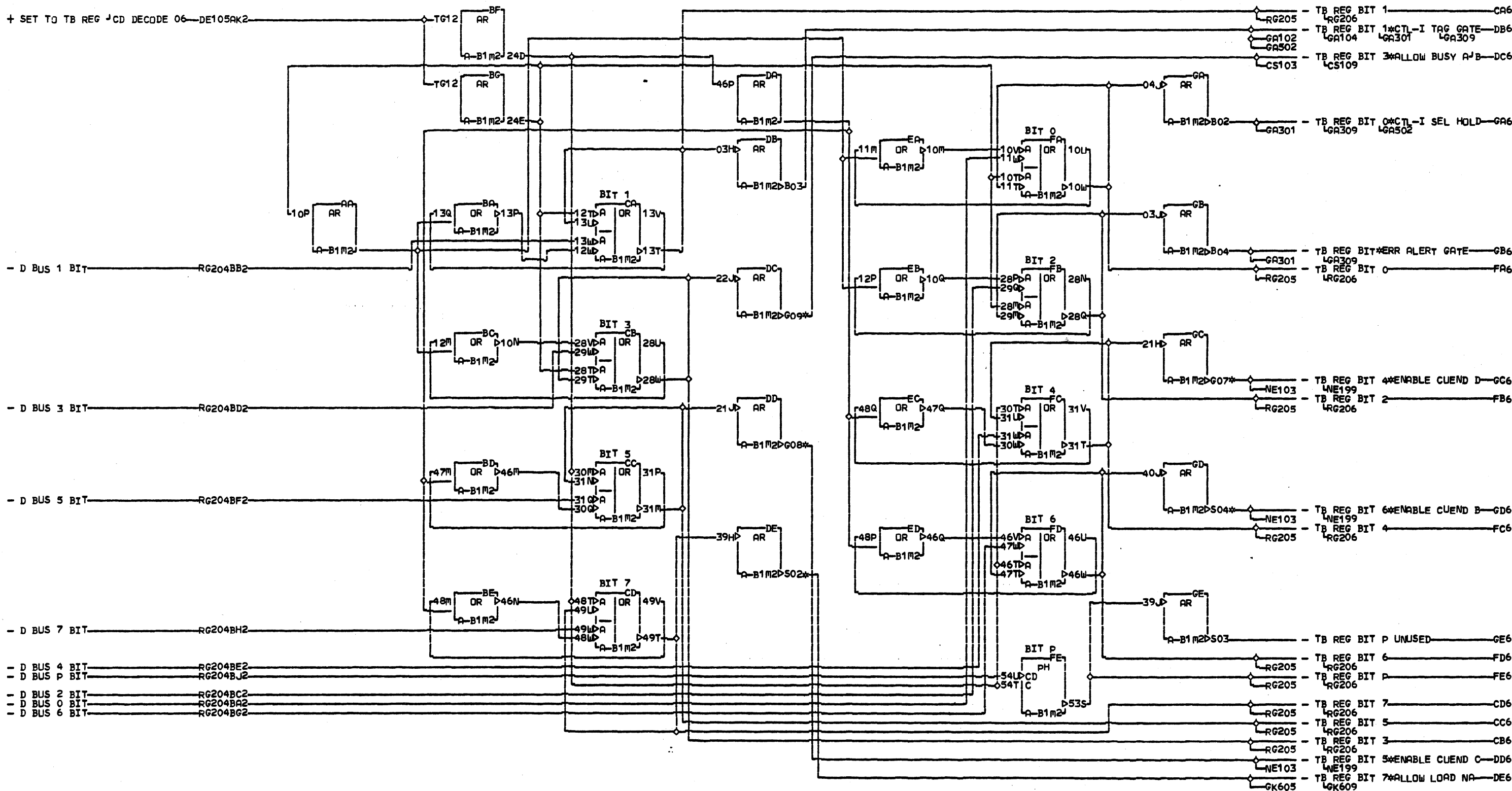
LOC. TYPE
A-B1E2 0691

STANDARD G.P. REGISTER A	
RESISTOR PAGE	
E.C. HISTORY—MACH. 3830-2	
437357	FRAME 01
437308	IBM CORP. SD
437310	
DATE LAST EC	PN# 2346282
04-16-73 437311	

RG109

IBM CONFIDENTIAL UNTIL 03-30-76 UNCLASSIFIED THEREAFTER

005 RG201



RG201

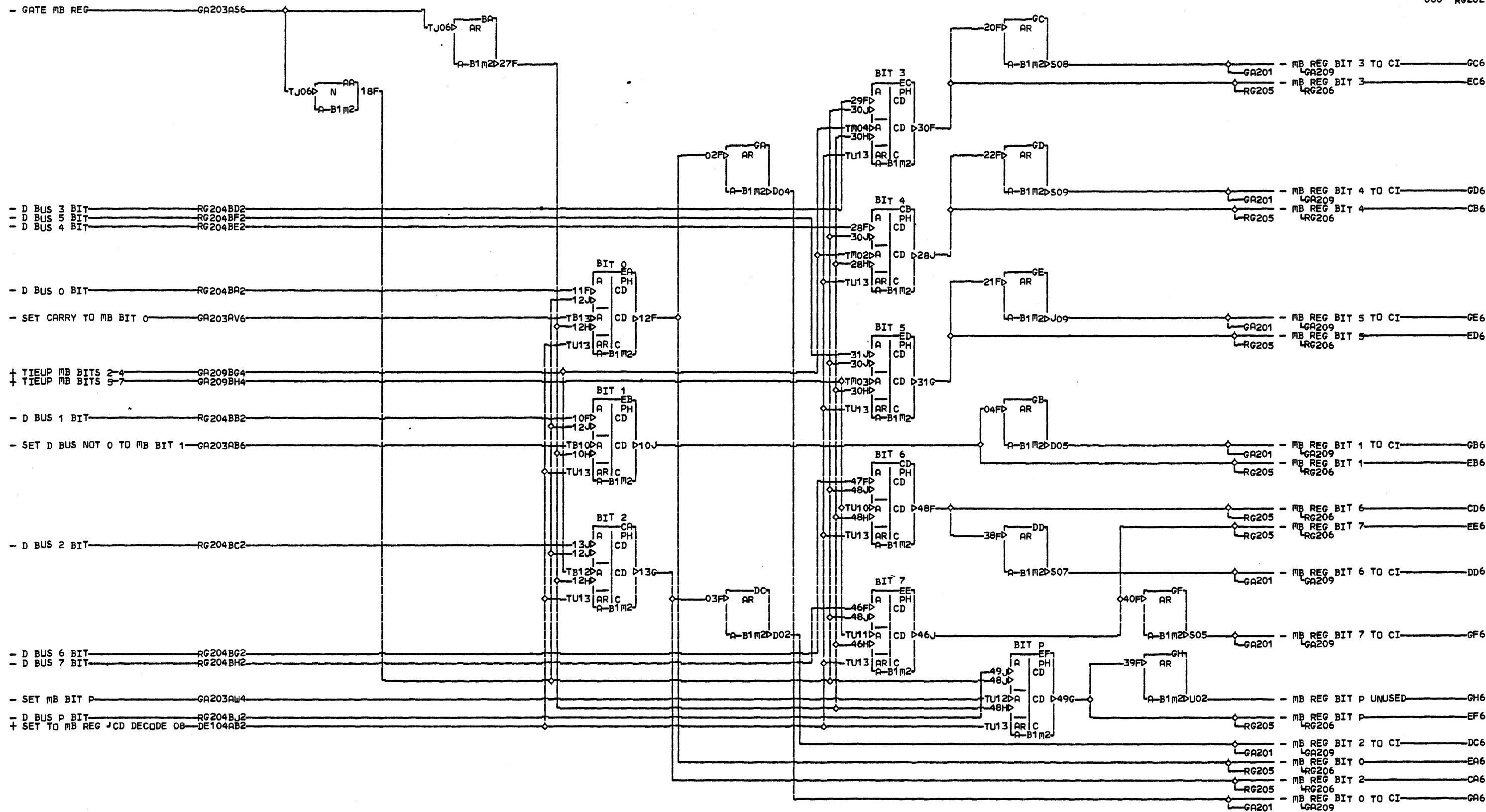
DC6 A-B1U1C11 A 01A-A1H1E11
 A 01A-A1H1B11
 DD6 A-B1U1E11
 A 01A-A1H1D11
 DE6 A-B1V1B11
 A 01A-A1J1A11
 GC6 A-B1U1D11
 A 01A-A1H1C11
 GD6 A-B1V1A11

005COPYRIGHT IBM CORP 1976
 SIM TO PN 2345866 EC 437310

LOC. TYPE
 A-B1M2 0691

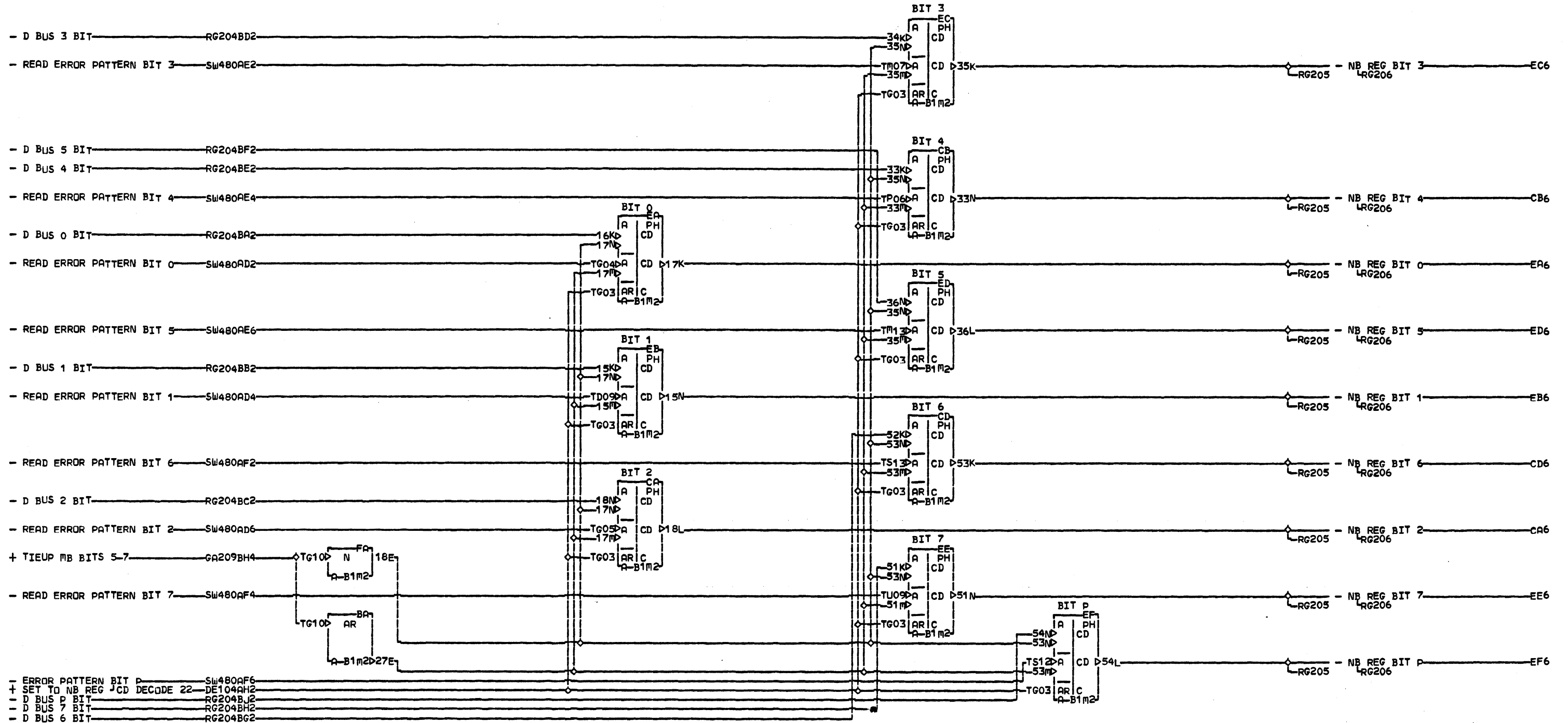
STANDARD G.P. REGISTER	
TB REGISTER	
E.C. HISTORY B-MACH-3830-2	
437380	FRAME 01
DATE LAST EC 11-28-75 437381	
P.N. 2290428	

RG201
005



LOC. TYPE
A-B1M2 0691

STANDARD G.P. REGISTER		
MB REGISTER		
E.C. HISTORY	MACH. 3830-2	
437301		
437302	FRAME	01
437306		
437307	IBM CORP. SD	
DATE	LAST EC	
06-15-73	437310	P.No. 2345867

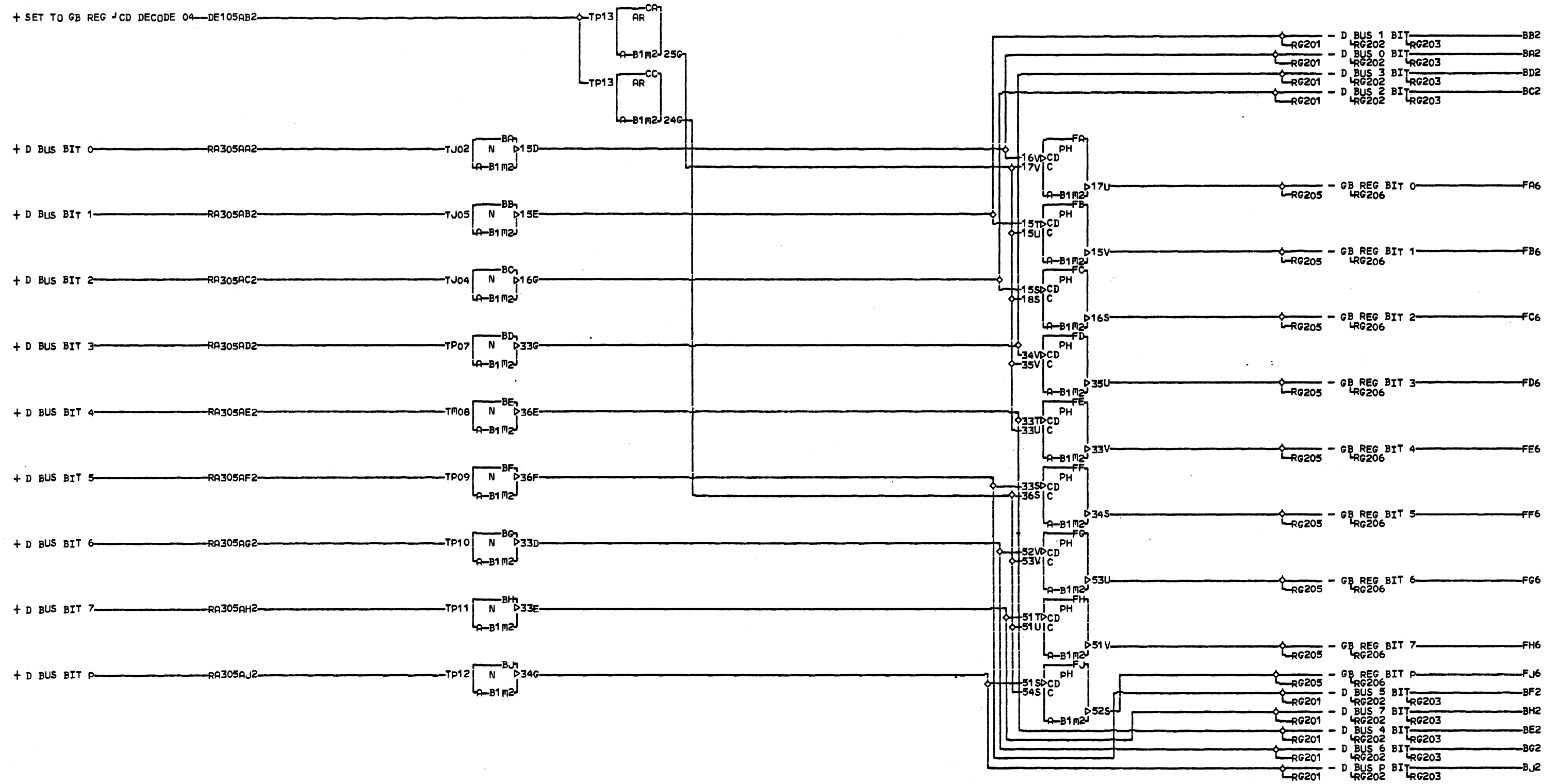


206
3

LDC TYPE
A-B1M2 0691

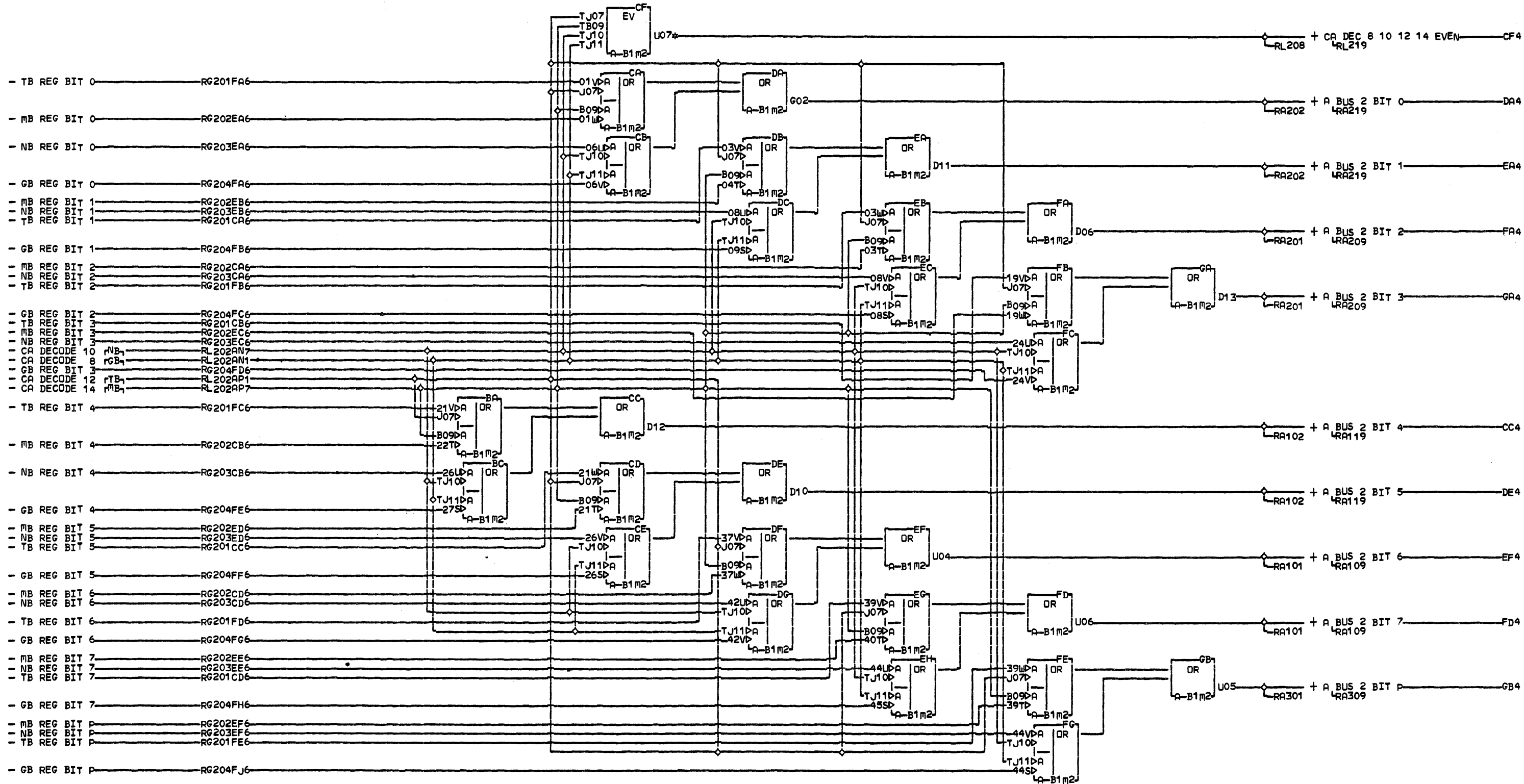
STANDARD G.P. REGISTER	
NB REGISTER	
E.C. HISTORY 437380	MACH. 3830-2
DATE 11-28-75	LAST EC 437381
FRAME 01	IBM CORP. SD
P.O. No. 2290429	

RG203



LDC. TYPE
A-B1M2 0691

STANDARD G.P. REGISTER	
GB REGISTER	
E.C. HISTORY 437301	B MACH. 3830-2
DATE 06-15-73	LAST EC 437310
FRAME 01	IBM CORP. SD
P.No. 2345869	



CF4 A-B1T6B02
A 01A-B2T1B13

LQC. TYPE
A-B1M2 0691

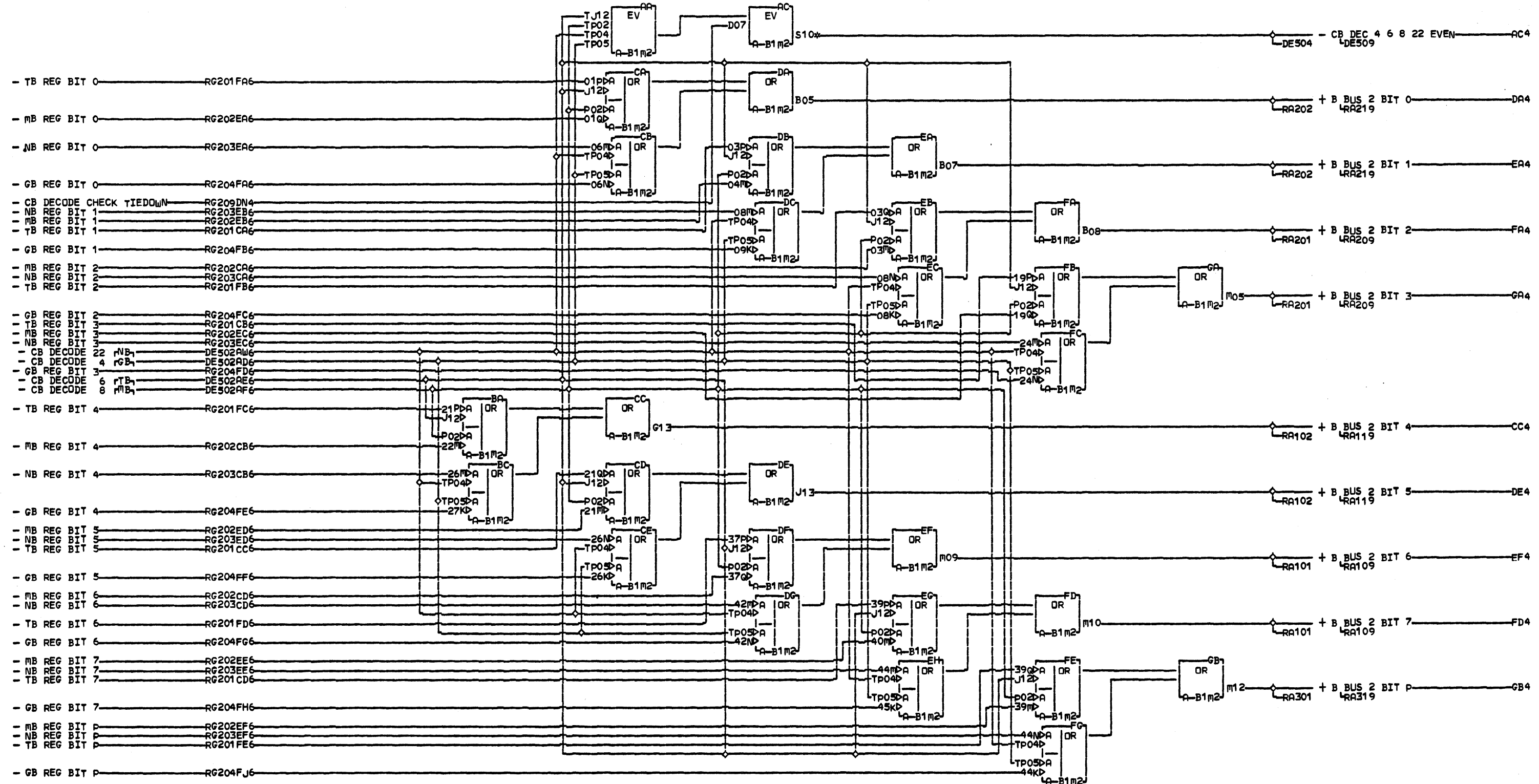
STANDARD G.P. REGISTER	
PARTIAL A BUS ASSEM 2	
E.C. HISTORY	MACH. 3630-2
437301	FRAME 01
DATE LAST EC	IBM CORP. SD
06-15-73 437310	P.N. 2345870

RG205

000

RG205

000



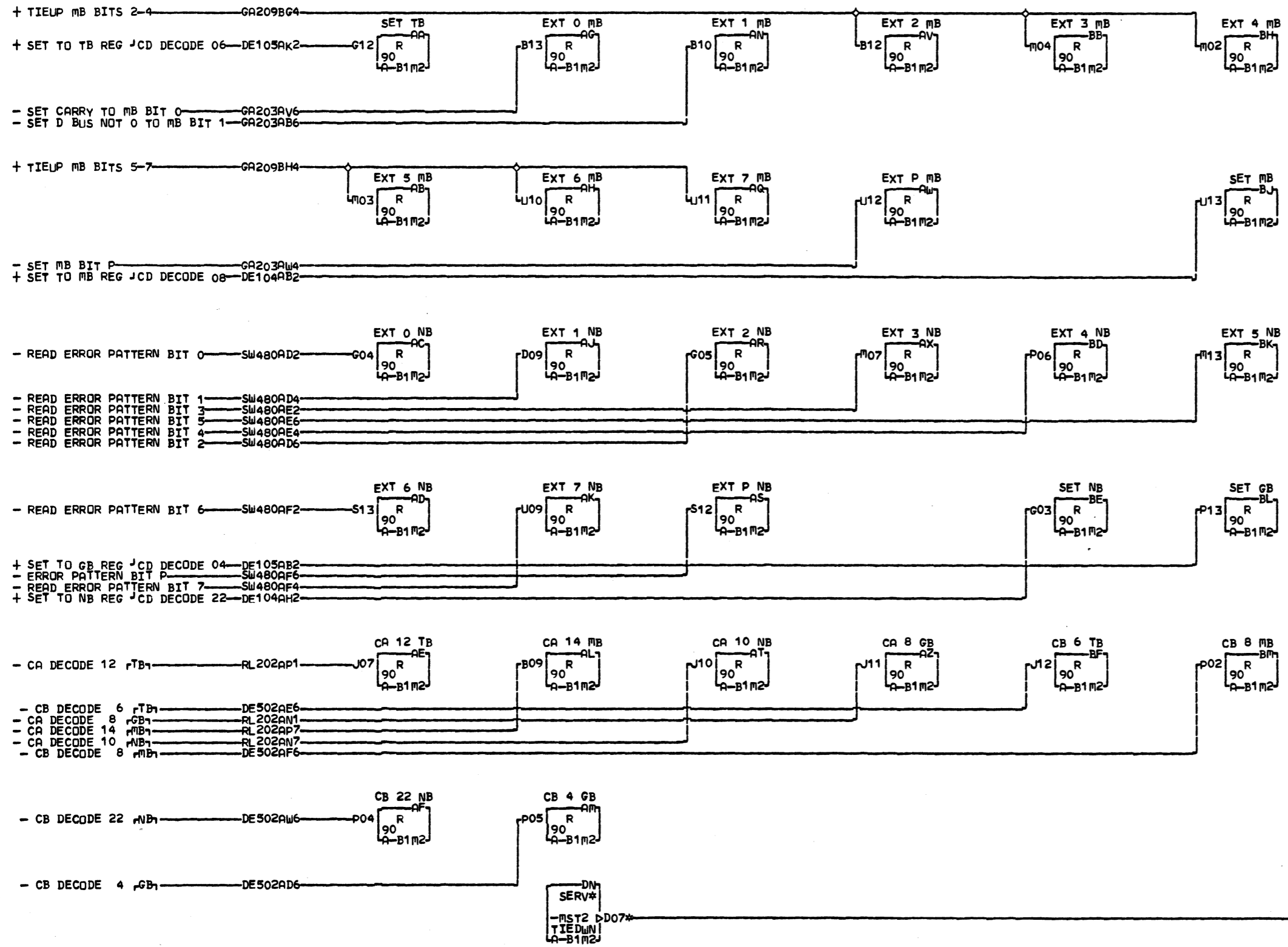
- TB REG BIT 0 RG201FA6
- MB REG BIT 0 RG202EA6
- NB REG BIT 0 RG203EA6
- GB REG BIT 0 RG204FA6
- CB DECODE CHECK TIEDOWN RG209DN4
- NB REG BIT 1 RG203EB6
- MB REG BIT 1 RG202EB6
- TB REG BIT 1 RG201CA6
- GB REG BIT 1 RG204FB6
- MB REG BIT 2 RG202CA6
- NB REG BIT 2 RG203CA6
- TB REG BIT 2 RG201FB6
- GB REG BIT 2 RG204FC6
- TB REG BIT 3 RG201CB6
- MB REG BIT 3 RG202EC6
- NB REG BIT 3 RG203EC6
- CB DECODE 22 NB₁ DE502AW6
- CB DECODE 4 GB₁ DE502AD6
- GB REG BIT 3 RG204FD6
- CB DECODE 6 TB₁ DE502AE6
- CB DECODE 8 MB₁ DE502AF6
- TB REG BIT 4 RG201FC6
- MB REG BIT 4 RG202CB6
- NB REG BIT 4 RG203CB6
- GB REG BIT 4 RG204FE6
- MB REG BIT 5 RG202ED6
- NB REG BIT 5 RG203ED6
- TB REG BIT 5 RG201CC6
- GB REG BIT 5 RG204FF6
- MB REG BIT 6 RG202CD6
- NB REG BIT 6 RG203CD6
- TB REG BIT 6 RG201FD6
- GB REG BIT 6 RG204FG6
- MB REG BIT 7 RG202EE6
- NB REG BIT 7 RG203EE6
- TB REG BIT 7 RG201CD6
- GB REG BIT 7 RG204FH6
- MB REG BIT P RG202EF6
- NB REG BIT P RG203EF6
- TB REG BIT P RG201FE6
- GB REG BIT P RG204FJ6

- AC4 - CB DEC 4 6 8 22 EVEN
- DA4 + B BUS 2 BIT 0
- EA4 + B BUS 2 BIT 1
- FA4 + B BUS 2 BIT 2
- GA4 + B BUS 2 BIT 3
- CC4 + B BUS 2 BIT 4
- DE4 + B BUS 2 BIT 5
- EF4 + B BUS 2 BIT 6
- FD4 + B BUS 2 BIT 7
- GB4 + B BUS 2 BIT P

AC4 A-B1T6B04
A 01A-B2T1B11

LOC. TYPE
A-B1M2 0691

STANDARD G.P. REGISTER B		RG 2 0 6
PARTIAL B BUS ASSEM		
E.C. HISTORY B MACH. 3830-2		000
437301	FRAME 01	
DATE LAST EC	IBM CORP. SD	
06-15-73 437310	P.N. 2345871	



R
G
2
0
9

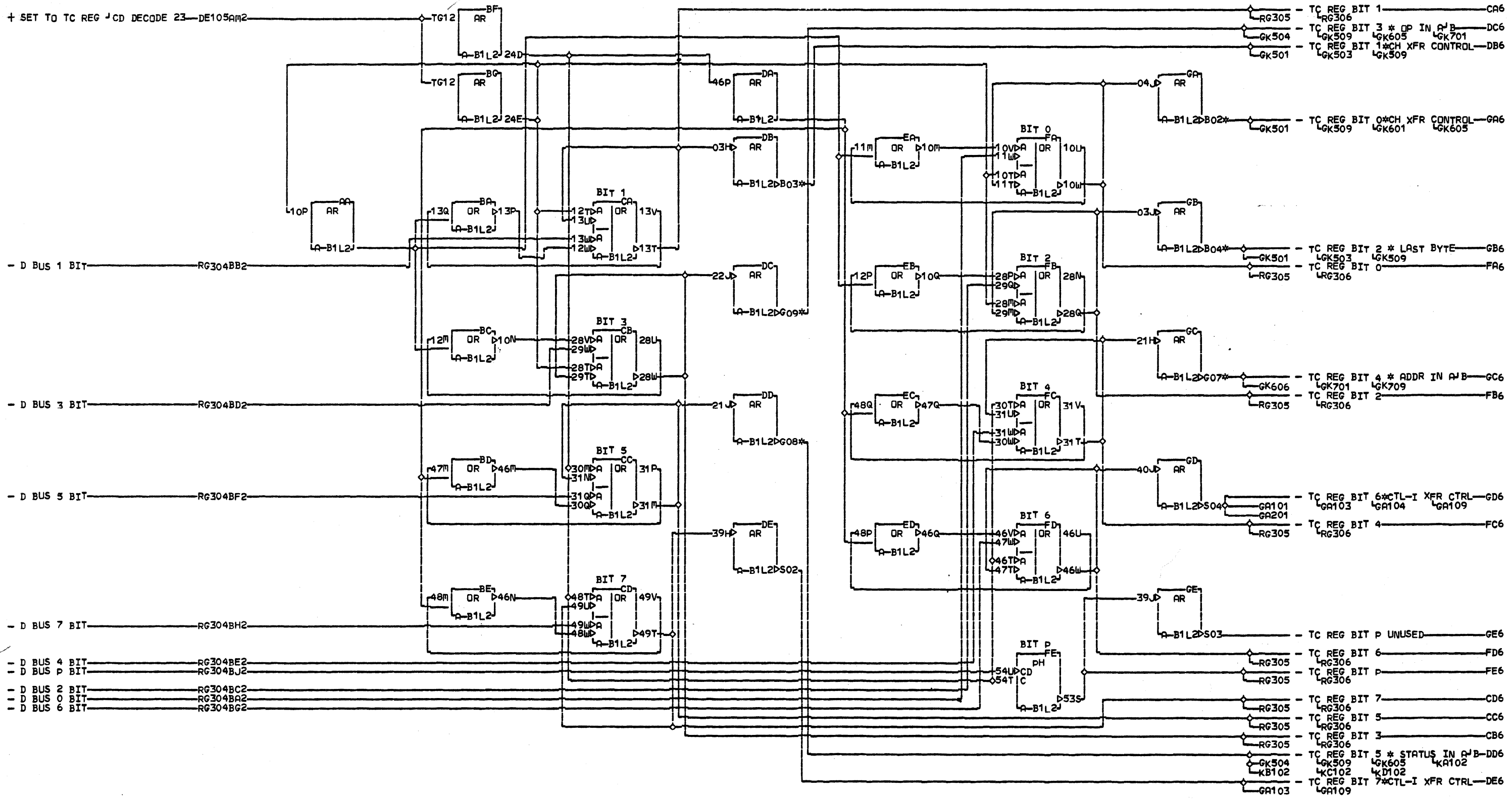
DN4 RESISTOR
A-B1M2D07
A-B1M2D07

LOC. TYPE
A-B1M2 0691

STANDARD G.P. REGISTER B		R G 2 0 9
RESISTOR PAGE		
E.C. HISTORY		000
437301	FRAME 01	
437302	IBM CORP. SD	
437307	P.N. 2345872	
DATE	LAST EC	
06-15-73	437310	

IBM CONFIDENTIAL UNTIL 03-30-76 UNCLASSIFIED THEREAFTER

005 RG301



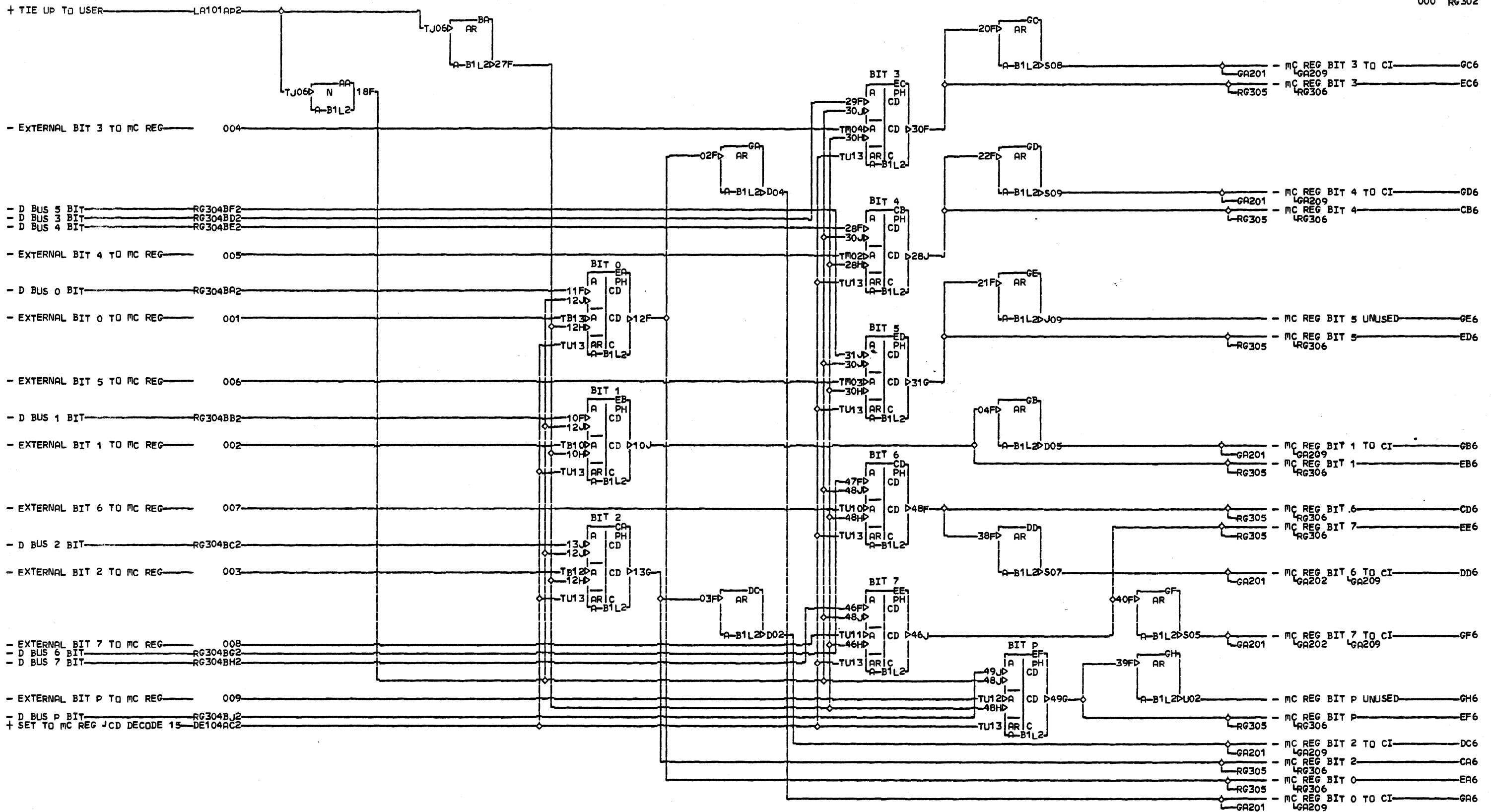
R
G
3
0
1

DB6 A-B1Q1C11 A 01A-A1V4D06
 A 01A-A1V4D05 GC6 A-B1R1A11
 DC6 A-B1Q1E11 A 01A-A1V4D08
 A 01A-A1V4D07
 DD6 A-B1R1B11
 A 01A-A1V4D09
 GA6 A-B1Q1B11
 A 01A-A1V4D04
 GB6 A-B1Q1D11

005COPYRIGHT IBM CORP 1976
 SIM TO PN 2345873 EC 437310

LOC. TYPE
 A-B1L2 0691

STANDARD G.P. REGISTER		R G 3 0 1
TC REGISTER		
E.C. HISTORY	B MACH. 3830-2	005
437380	FRAME 01	
DATE LAST EC	IBM CORP. SD	
11-28-75 437381	P.N. 2290430	



000 RG302

+ TIE UP TO USER LA101AP2

- EXTERNAL BIT 3 TO MC REG 004

- D BUS 5 BIT RG304BF2

- D BUS 3 BIT RG304BD2

- D BUS 4 BIT RG304BE2

- EXTERNAL BIT 4 TO MC REG 005

- D BUS 0 BIT RG304BA2

- EXTERNAL BIT 0 TO MC REG 001

- EXTERNAL BIT 5 TO MC REG 006

- D BUS 1 BIT RG304BB2

- EXTERNAL BIT 1 TO MC REG 002

- EXTERNAL BIT 6 TO MC REG 007

- D BUS 2 BIT RG304BC2

- EXTERNAL BIT 2 TO MC REG 003

- EXTERNAL BIT 7 TO MC REG 008

- D BUS 6 BIT RG304BG2

- D BUS 7 BIT RG304BH2

- EXTERNAL BIT P TO MC REG 009

- D BUS P BIT RG304BJ2

+ SET TO MC REG JCD DECODE 15 DE104AC2

MC REG BIT 3 TO CI GC6

MC REG BIT 3 EC6

MC REG BIT 4 TO CI GD6

MC REG BIT 4 CB6

MC REG BIT 5 UNUSED GE6

MC REG BIT 5 ED6

MC REG BIT 1 TO CI GB6

MC REG BIT 1 EB6

MC REG BIT 6 CD6

MC REG BIT 7 EE6

MC REG BIT 6 TO CI DD6

MC REG BIT 7 TO CI GF6

MC REG BIT P UNUSED GH6

MC REG BIT P EF6

MC REG BIT 2 TO CI DC6

MC REG BIT 2 CA6

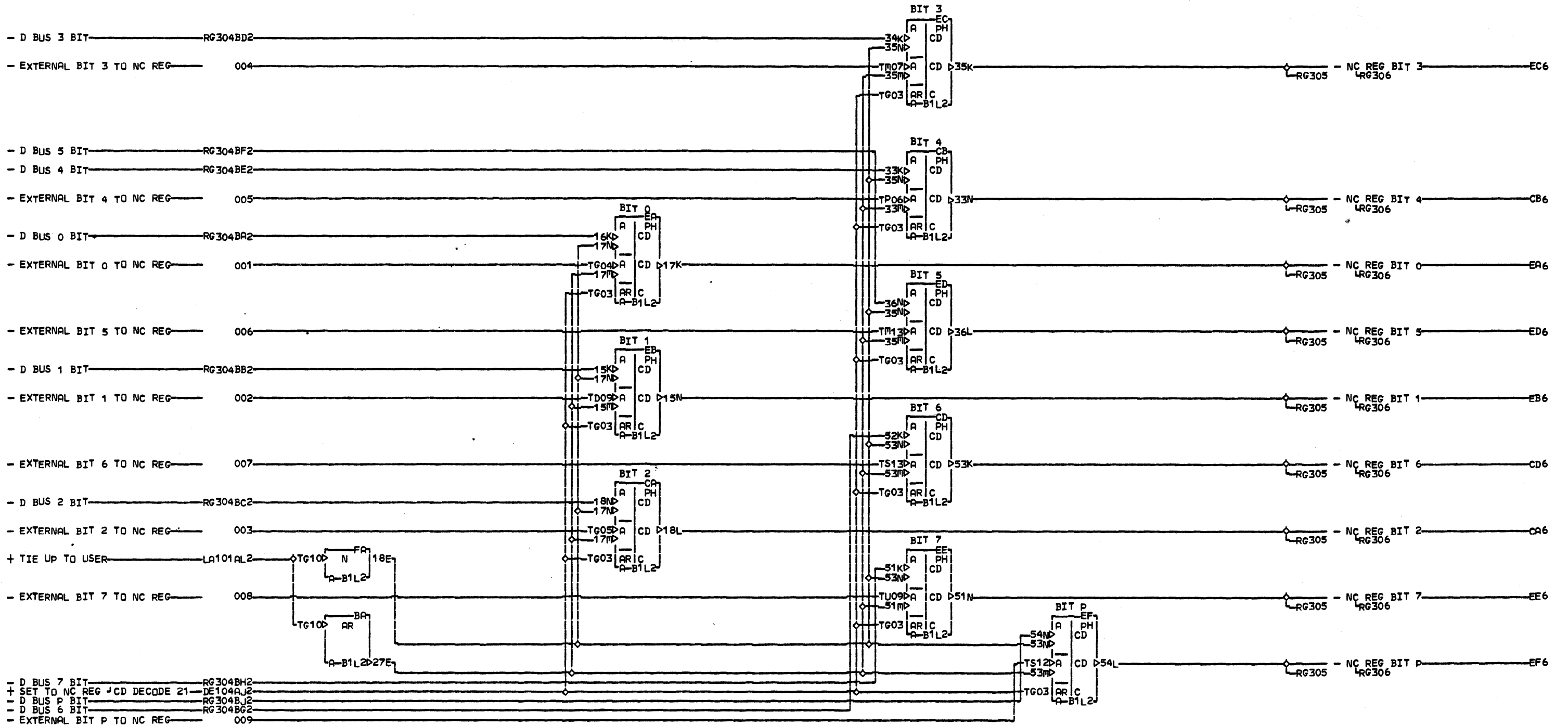
MC REG BIT 0 EA6

MC REG BIT 0 TO CI GA6

LOC. TYPE
A-B1L2 0691

STANDARD G.P. REGISTER		R G 3 0 2
MC REGISTER		
437301	—E.C.—HISTORY—B—MACH. 3830-2	0 2
437302	FRAME 01	
437303		000
437306	IBM CORP. SD	
DATE	LAST EC	
06-15-73	437310	P.N. 2345874

RG302



LOC. TYPE
A-B1L2 0691

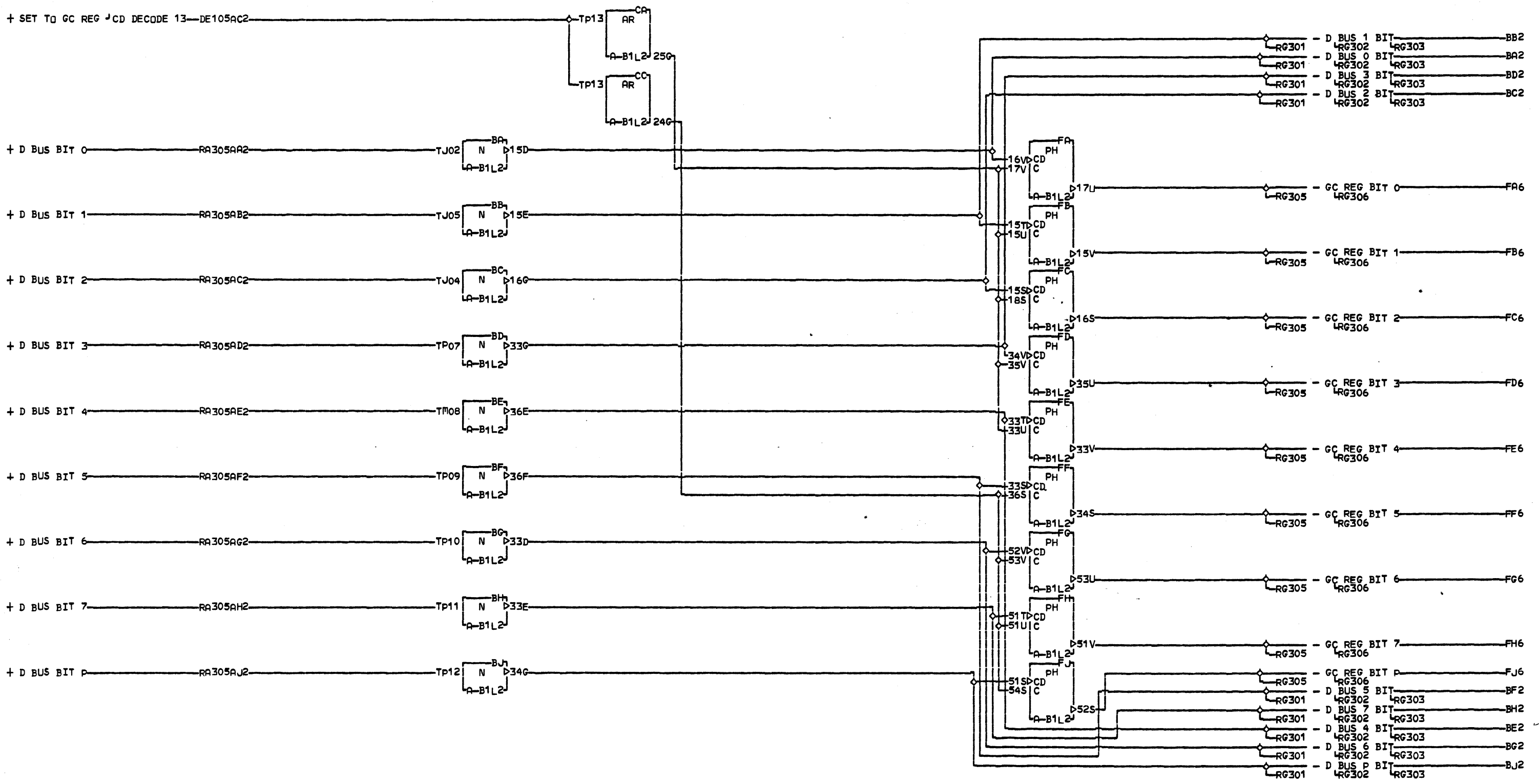
STANDARD G.P. REGISTER	
NC REGISTER	
—E.C.—HISTORY—	—MACH.—3830-2
437301	FRAME 01
437305	IBM CORP. SD
DATE LAST EC	P.N. 2345875
06-15-73 437310	

RG
303

000

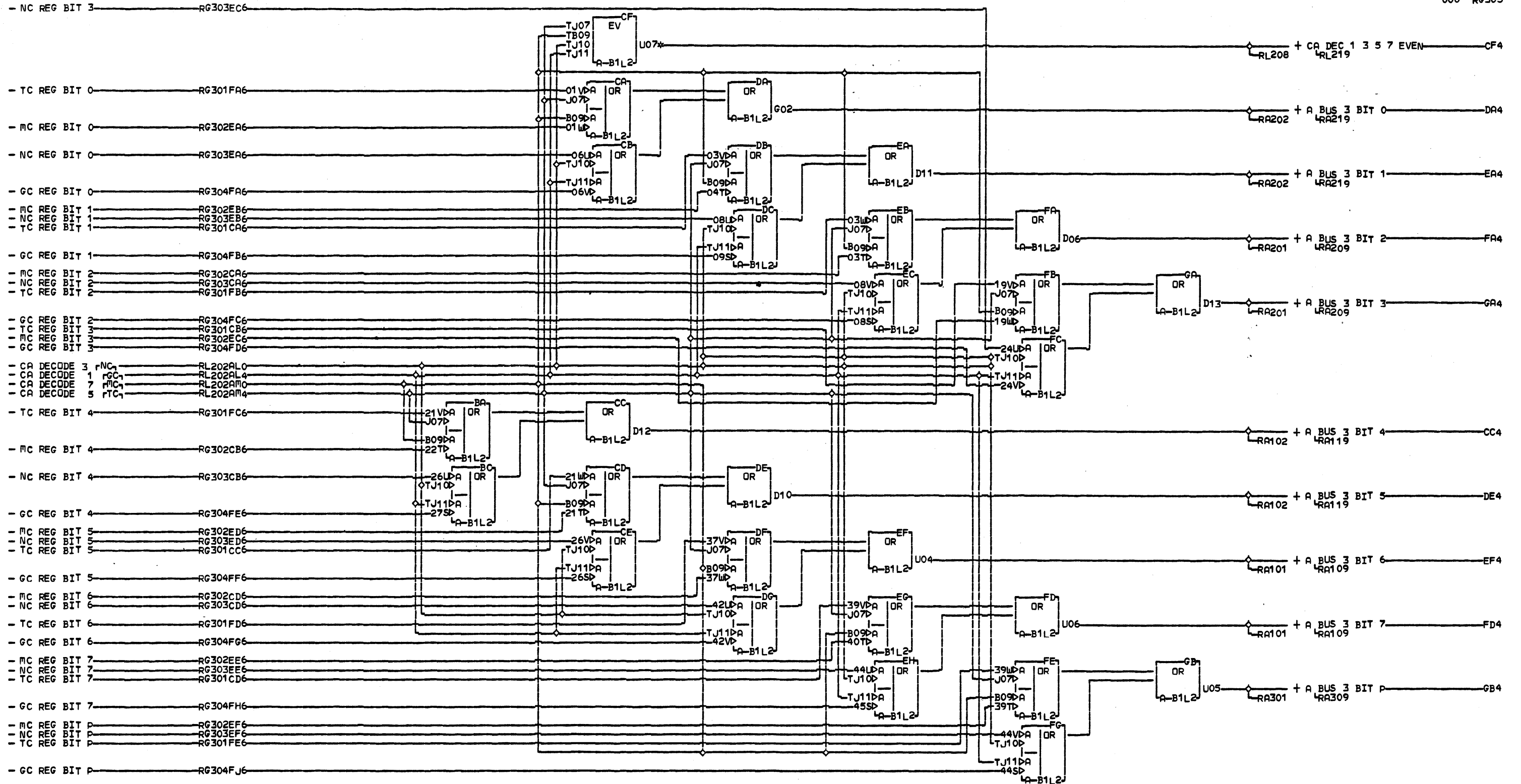
NUMBER

000



LOC. TYPE
A-B1L2 0691

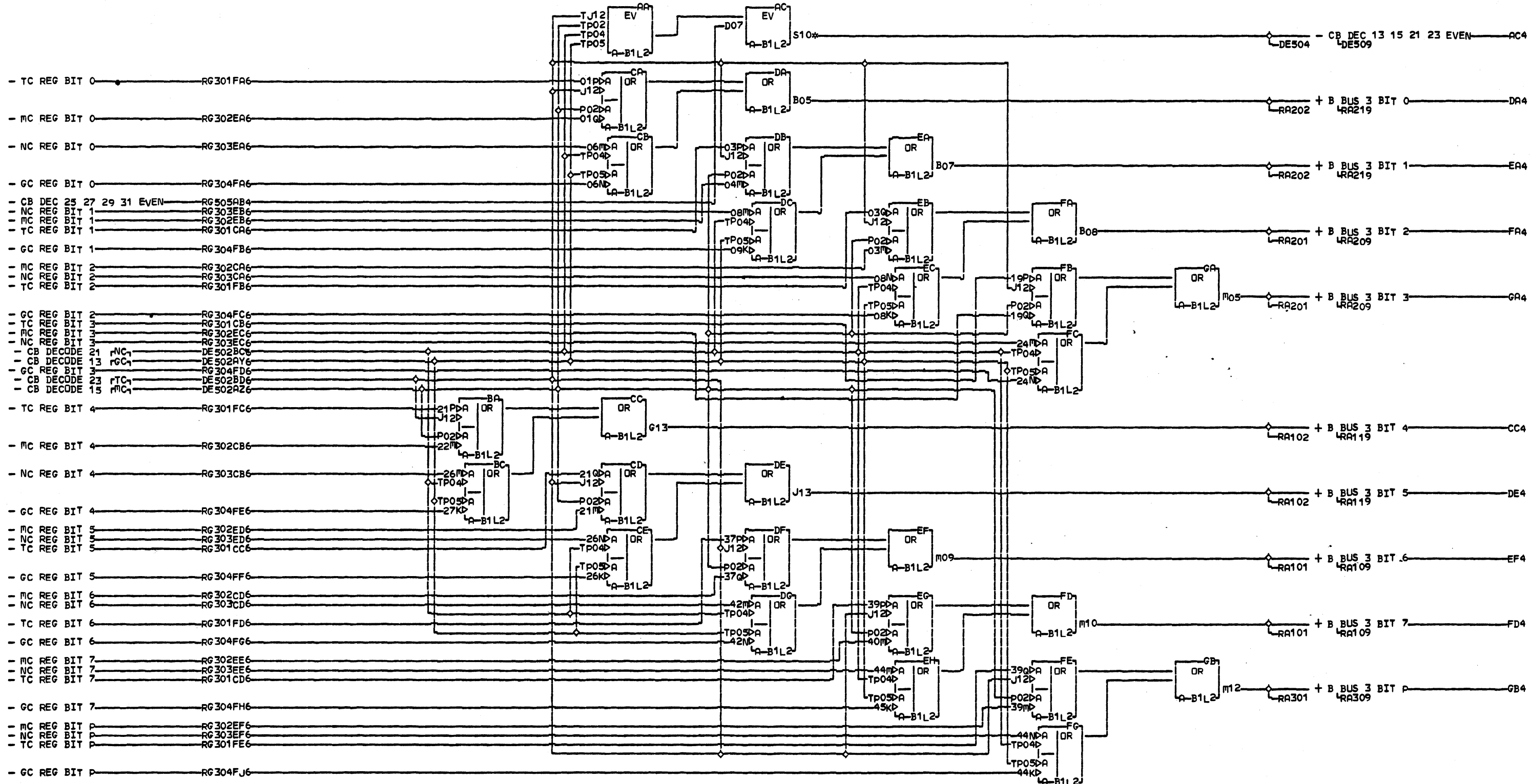
STANDARD G.P. REGISTER		R G 3 0 4
GC REGISTER		
E.C. HISTORY 437301	MACH. 3830-2 FRAME 01	000
DATE LAST EC 06-15-73 437310	IBM CORP. SD P.N. 2345876	



CF4 A-B1T6A02
A 01A-B2T1A13

LOC. TYPE
A-B1L2 0691

STANDARD GOP REGISTER C		R G 3 0 5
PARTIAL A BUS ASSEM		
EoC-HISTORY B1 MACH 3830-2		000
437301	FRAME 01	
DATE LAST EC	IBM CORP. SD	
06-15-73 437310	P.No. 2345877	

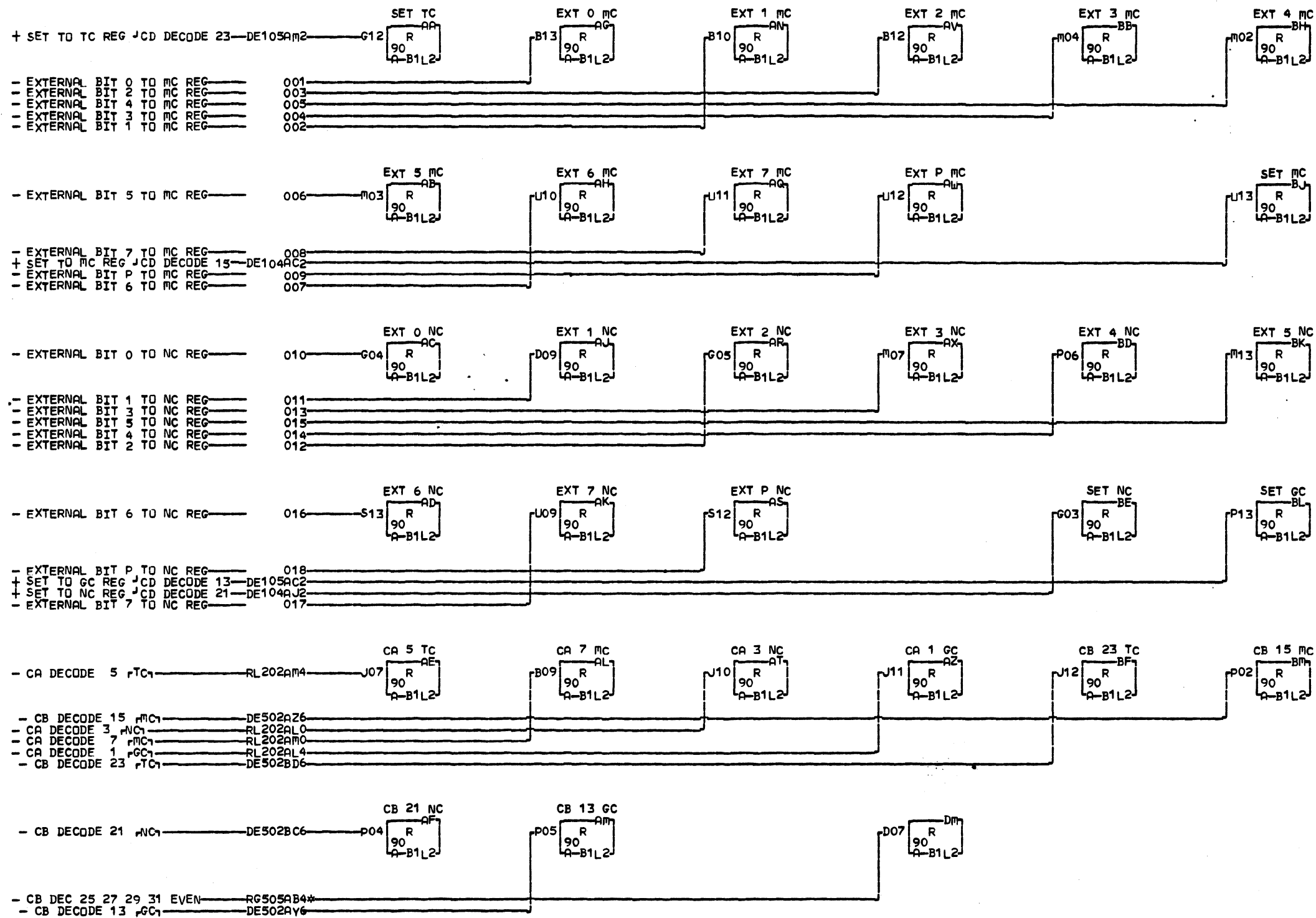


AC4 A-B1T6A04
A 01A-B2T1A11

LOC. TYPE
A-B1L2 0691

STANDARD G.P. REGISTER C		R G 3 0 6
PARTIAL B BUS ASSEM		
E.C. HISTORY	B. MACH. 3830-2	000
437301	FRAME 01	
DATE	LAST EC	IBM CORP. SD
06-15-73	437310	
P.No. 2345878		

RG306
000



RG505AB4
RESISTOR
A-B1L2D07

LOC. TYPE
A-B1L2 0691

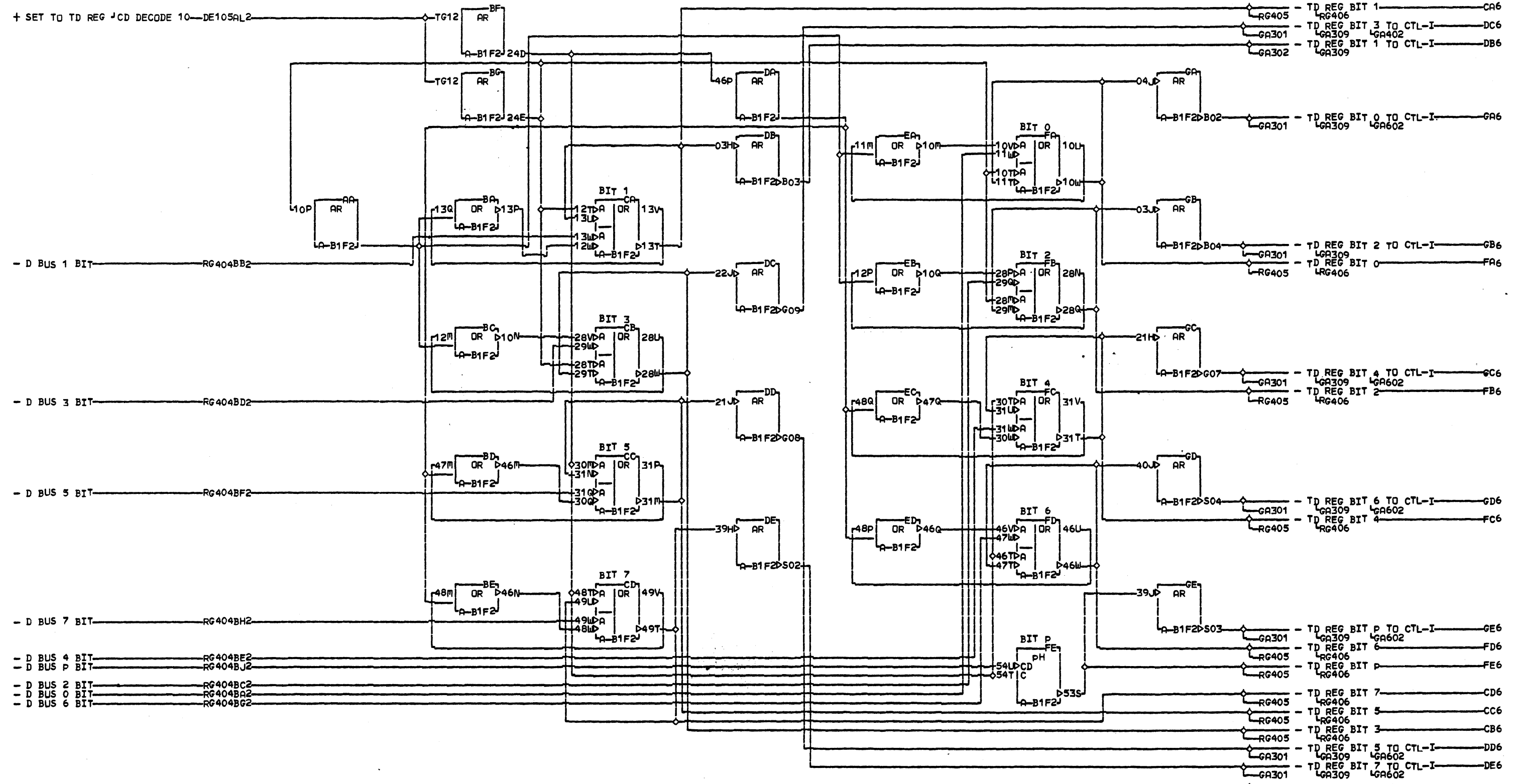
STANDARD G.P. REGISTER C	
RESISTOR PAGE	
E.C. HISTORY	B-MACH. 3830-2
437301	FRAME 01
437305	IBM CORP. SD
DATE	LAST EC
06-15-73	437310
P.N. 2345879	

R
G
3
0
9

000

R
G
3
0
9

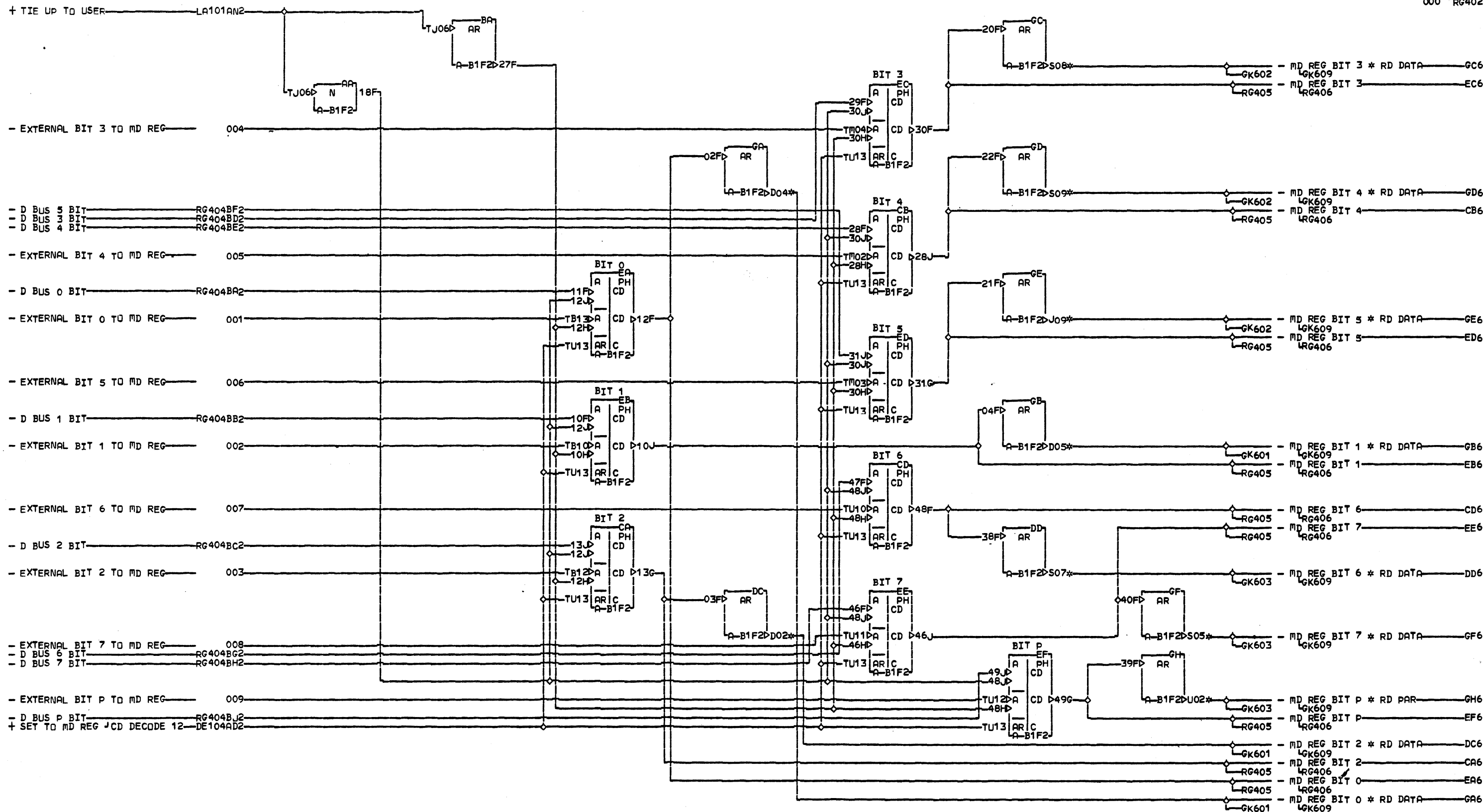
000



RG401
000

LOC. TYPE
A-B1F2 0691

STANDARD G.P. REGISTER		R G 4 0 1
TD REGISTER		
—E.C.—	HISTORY—B MACH. 3830-2	000
437301	FRAME 01	
437303	IBM CORP. SD	
437305		
DATE	LAST EC	
06-15-73	437310	P.N. 2345880

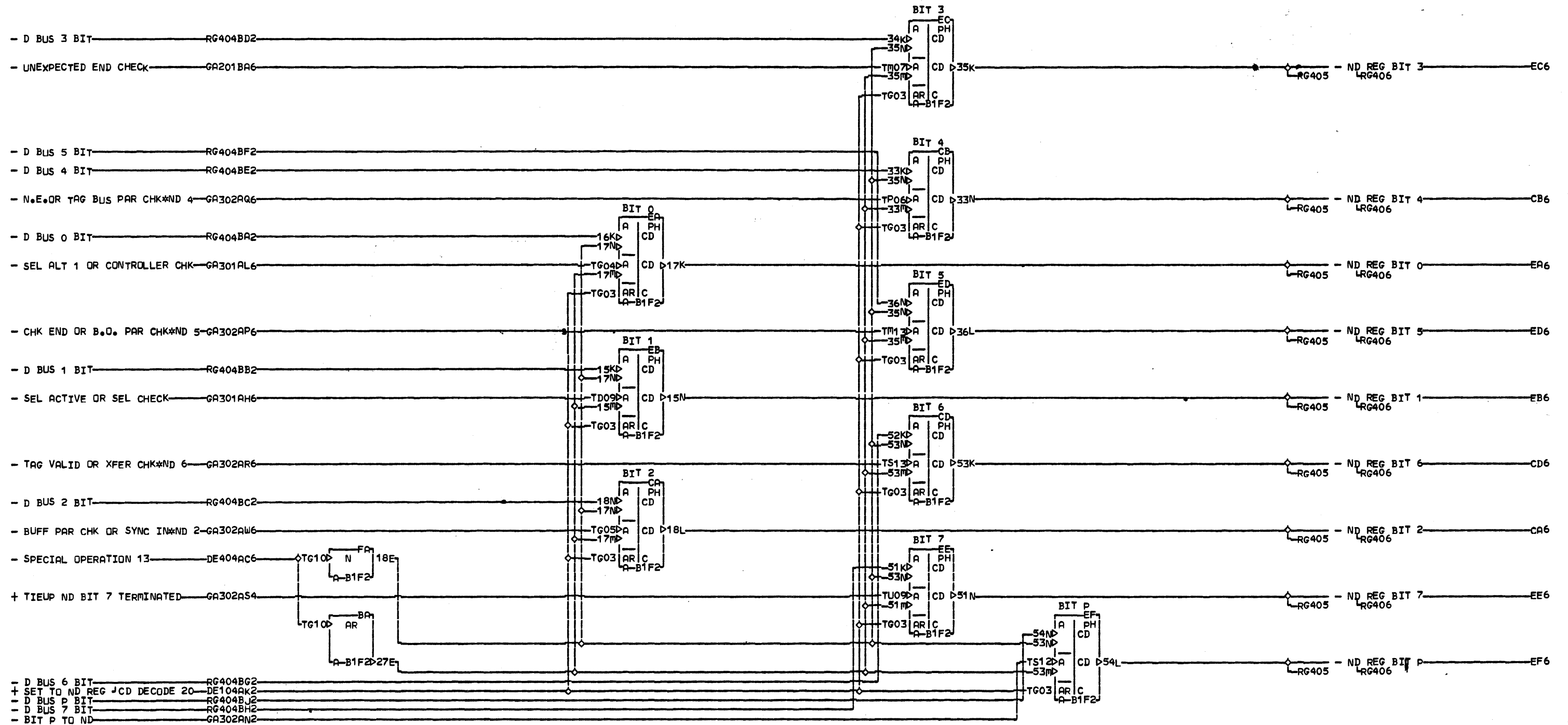


RG402
000

DC6 A-B1A2D04 A 01A-A1V4B05
 A 01A-A1V4B04 GD6 A-B1A2D06
 DD6 A-B1A2D09 A 01A-A1V4B06
 A 01A-A1V4B09 GE6 A-B1A2D07
 GA6 A-B1A2D02 A 01A-A1V4B07
 A 01A-A1V4B02 GF6 A-B1A2D10
 GB6 A-B1A2D03 A 01A-A1V4B10
 A 01A-A1V4B03 GH6 A-B1A2D11
 GC6 A-B1A2D05 A 01A-A1V4B11

LOC. TYPE
 A-B1F2 0691

STANDARD G.P. REGISTER		R G 4 0 2
MD REGISTER		
—E.C.—HISTORY—B.MACH.3830-2		IBM CORP. SD 000
437301	FRAME 01	
437302		
437305		
DATE	LAST EC	
06-15-73	437310	P.No. 2345881



LOC. TYPE
A-B1F2 0691

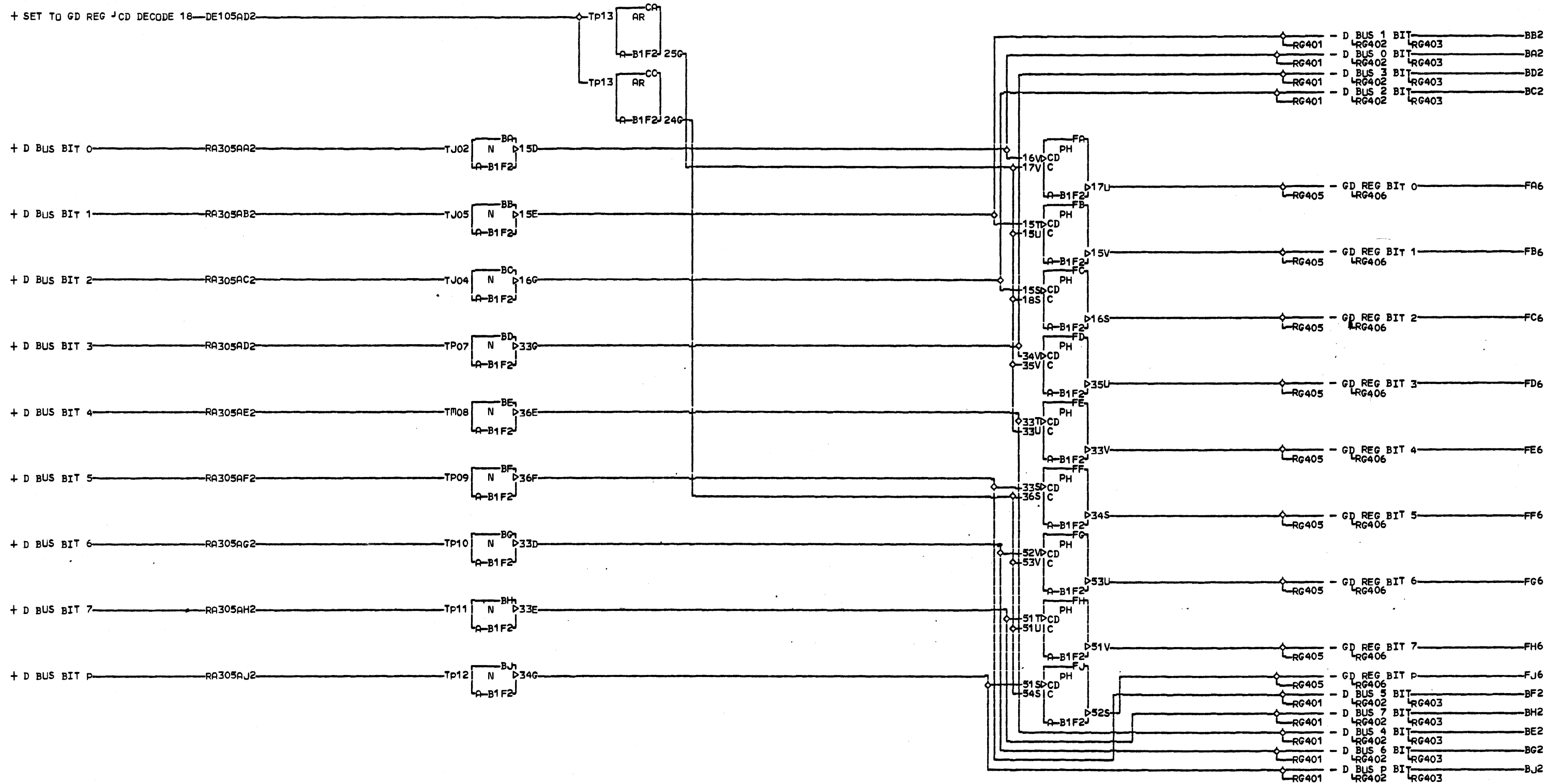
STANDARD G.P. REGISTER	
ND REGISTER	
E.C. HISTORY	MACH. 3830-2
437301	FRAME 01
437302	IBM CORP. SD
437303	DATE LAST EC
437307	P.No. 2345882
06-15-73 437310	

R
G
4
0
3

000

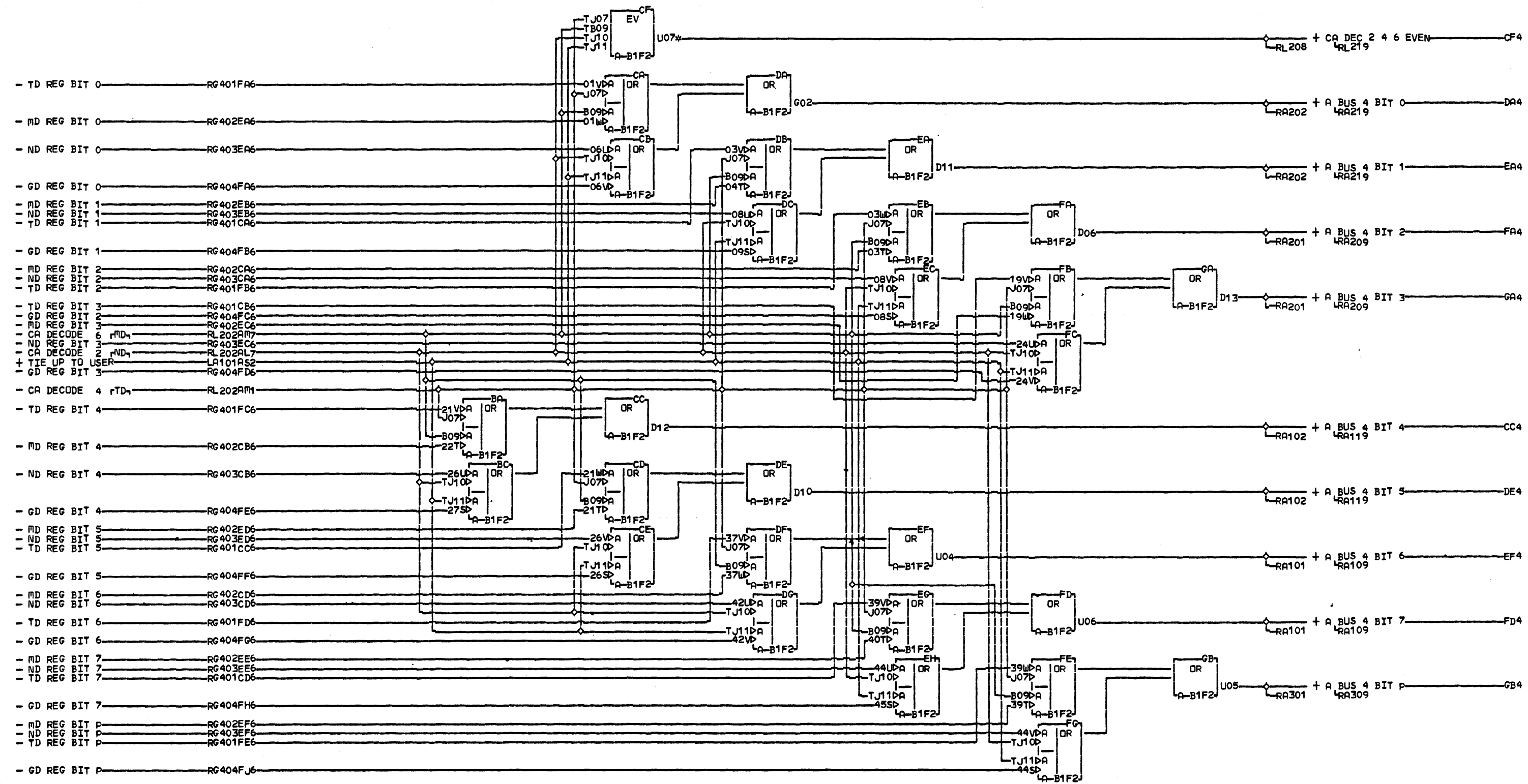
100407

000



LOC. TYPE
A-B1F2 0691

STANDARD G.P. REGISTER	
GD REGISTER	
E.C. HISTORY	MACH. 3830-2
437301	FRAME 01
DATE LAST EC	IBM CORP. SD
06-15-73 437310	P.N. 2345883

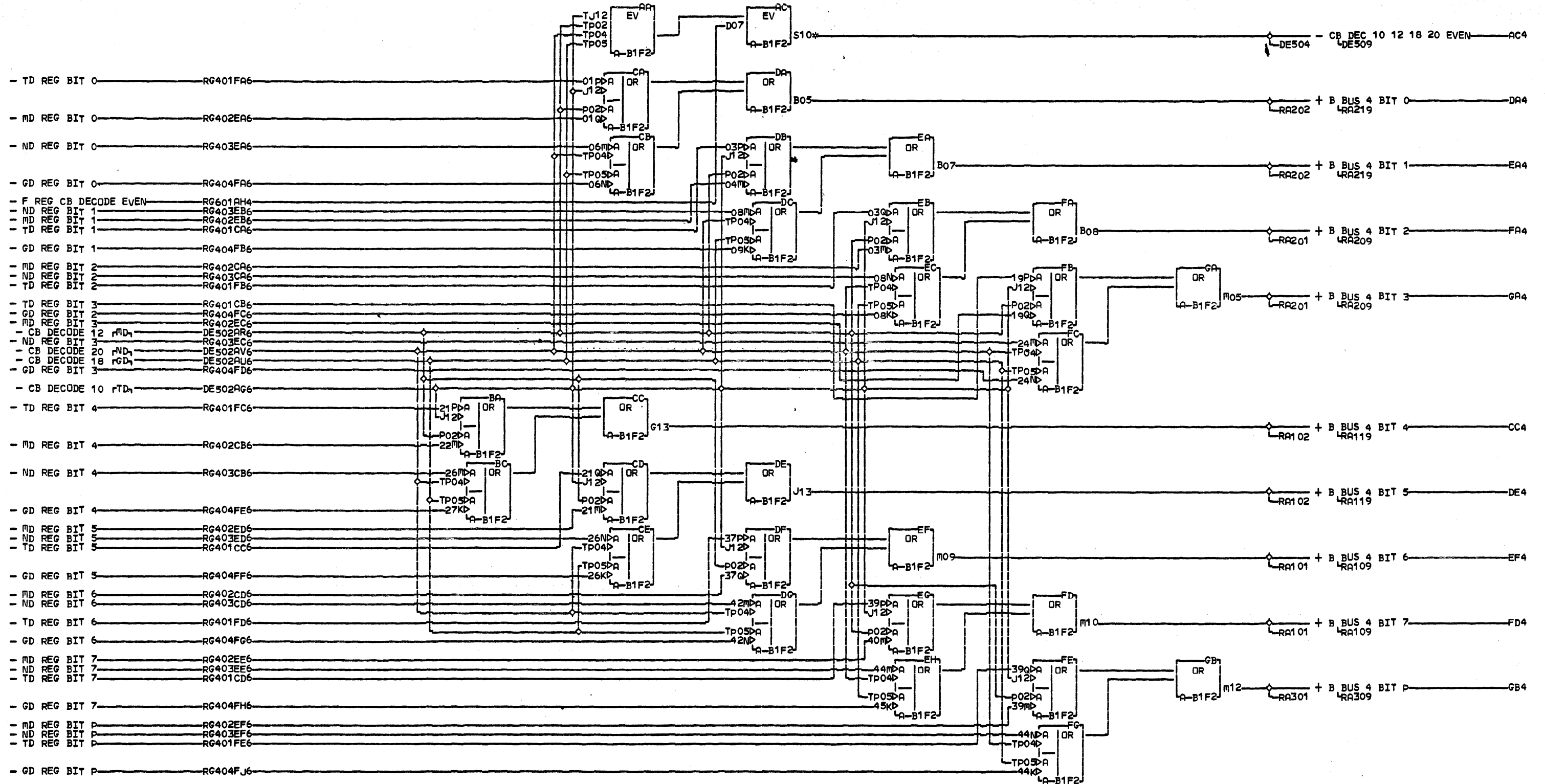


CF4 A-B1B6A04
A 01A-B2N1B11

LOC. TYPE
A-B1F2 0691

STANDARD G.P. REGISTER D		R G 4 0 5
PARTIAL A BUS ASSEM		
E.C. HISTORY	MACH. 3830-2	IB M C O R P. S D
437301	FRAME 01	
DATE LAST EC	P.No. 2345884	000
06-15-73 437310		

50467
000

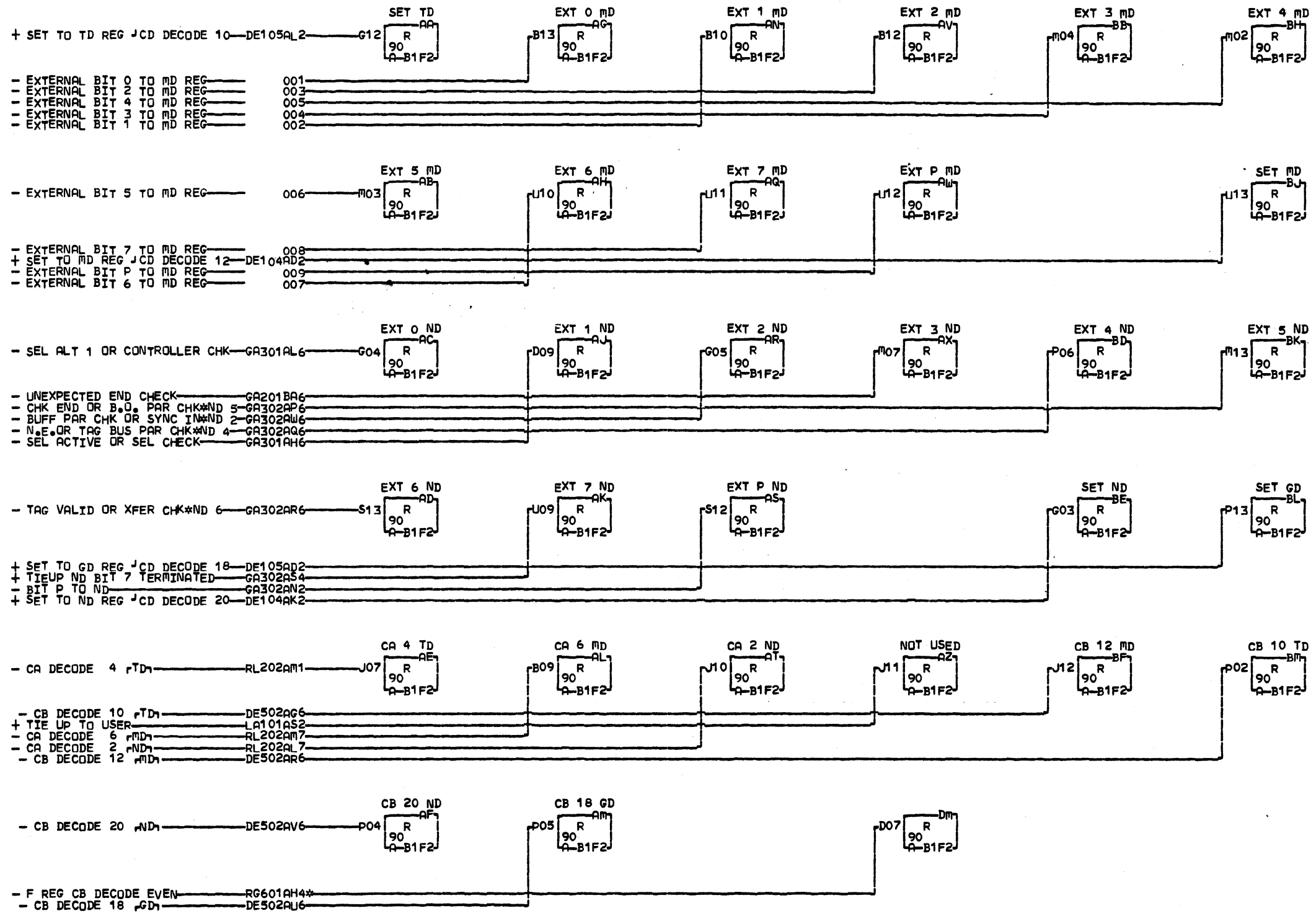


AC4 A-B1B6B04
A 01A-B2N1C11

LQC. TYPE
A-B1F2 0691

STANDARD G.O.P. REGISTER D		R G 4 0 6
PARTIAL B BUS ASSEM		
E.C. HISTORY	B MACH. 3830-2	005
437380	FRAME 01	
DATE	LAST EC	IBM CORP. SD
11-28-75	437381	
P.O. No. 2290431		

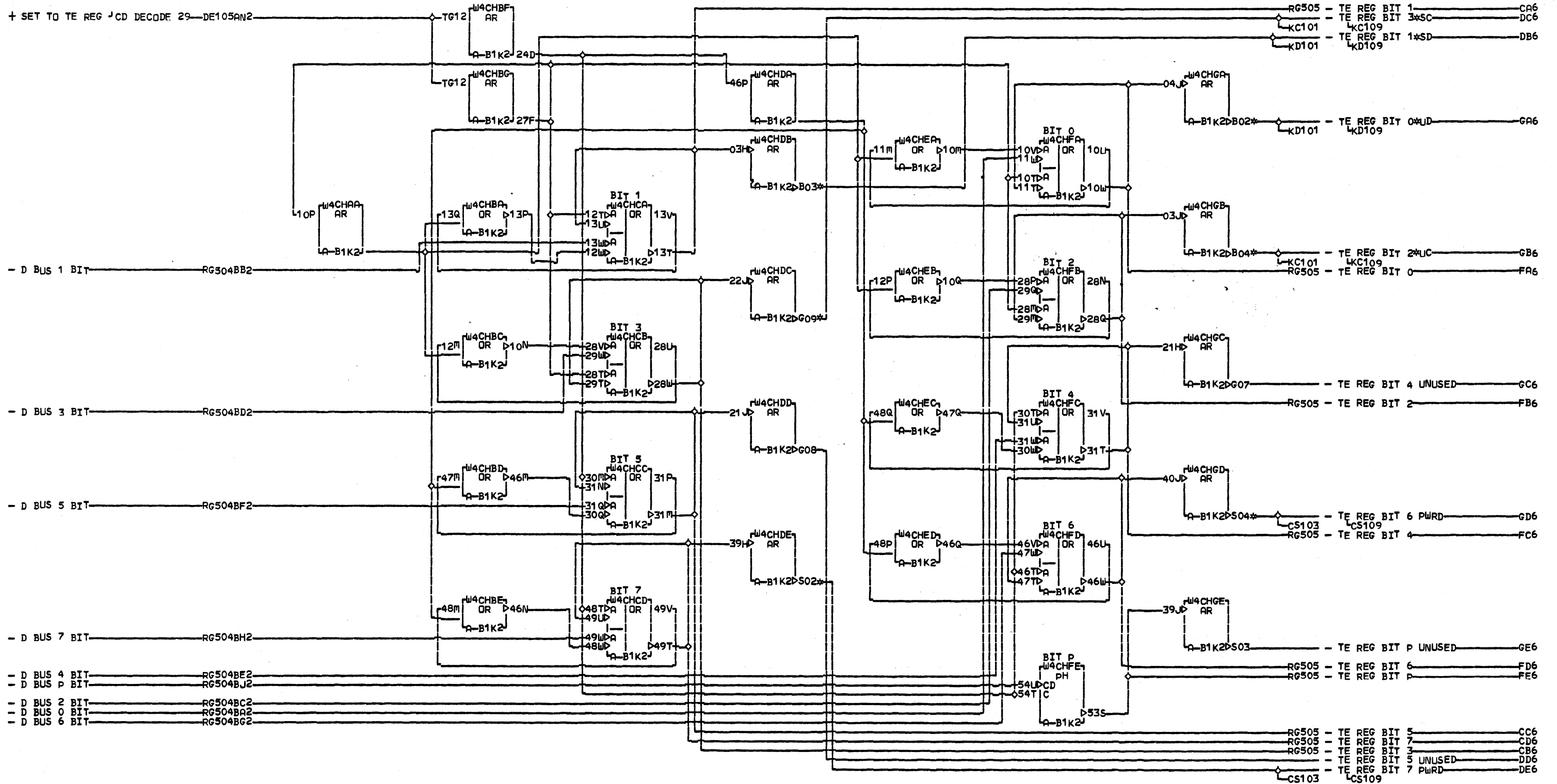
R
G
4
0
6



RG601AH4
RESISTOR
A-B1F2D07

LOC. TYPE
A-B1F2 0691

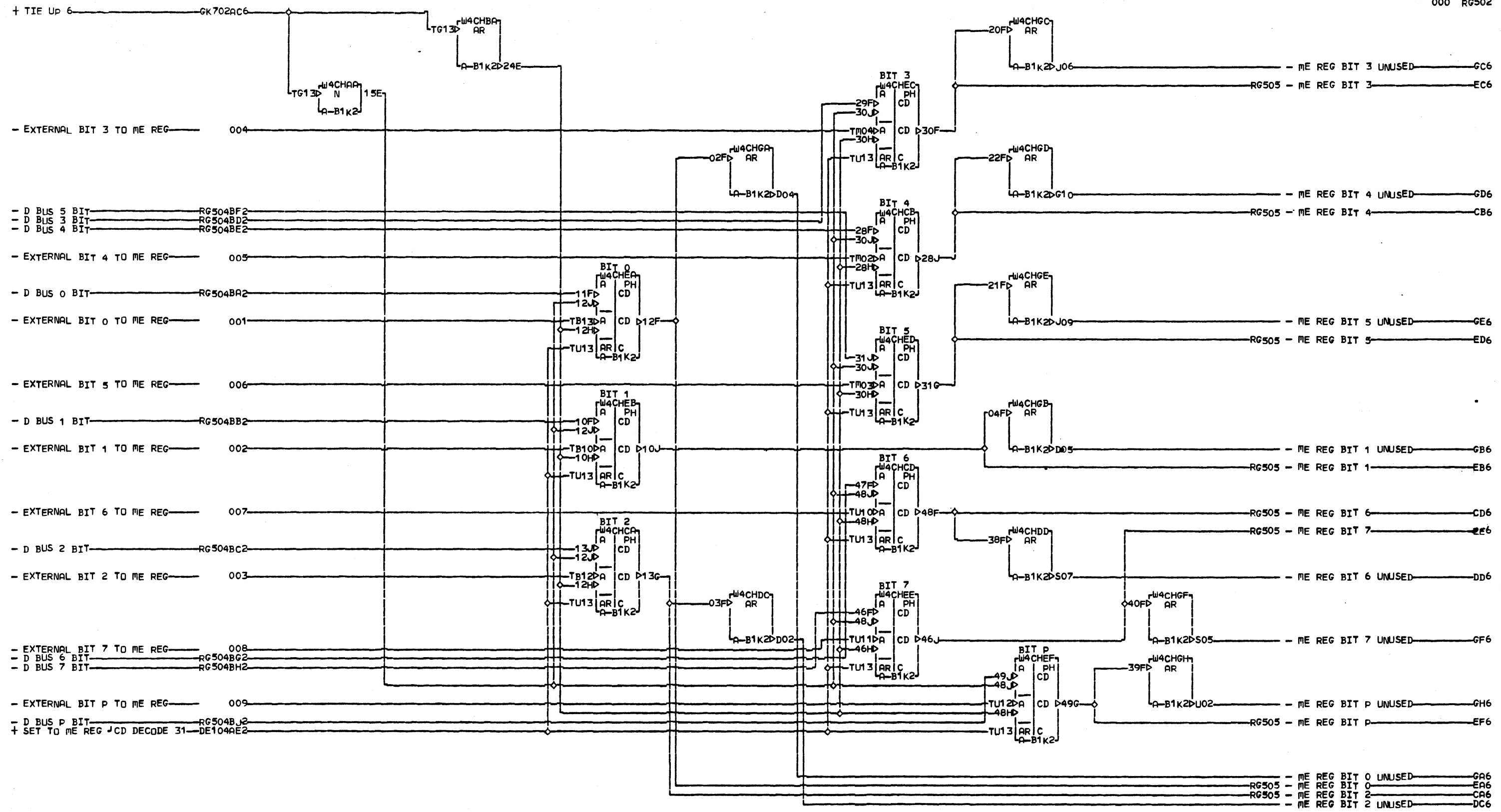
STANDARD G.P. REGISTER D		R G 4 0 9
RESISTOR PAGE		
E.C. HISTORY	MACH. 3830-2	005
437380	FRAME 01	
DATE	LAST EC	P.No. 2290432
11-28-75	437381	



RG501
 DB6 A-B1A2D12 A 01A-A1V4B13
 A 01A-A1V4B12 GD6 A-B1J1E13
 DC6 A-B1J1B13 A 01A-A1V2D05
 A 01A-A1V2D02
 DE6 A-B1K1A13
 A 01A-A1V2D06
 GA6 A-B1A2D08
 A 01A-A1V4B08
 GB6 A-B1A2D13

LQC. TYPE
 A-B1K2 0692

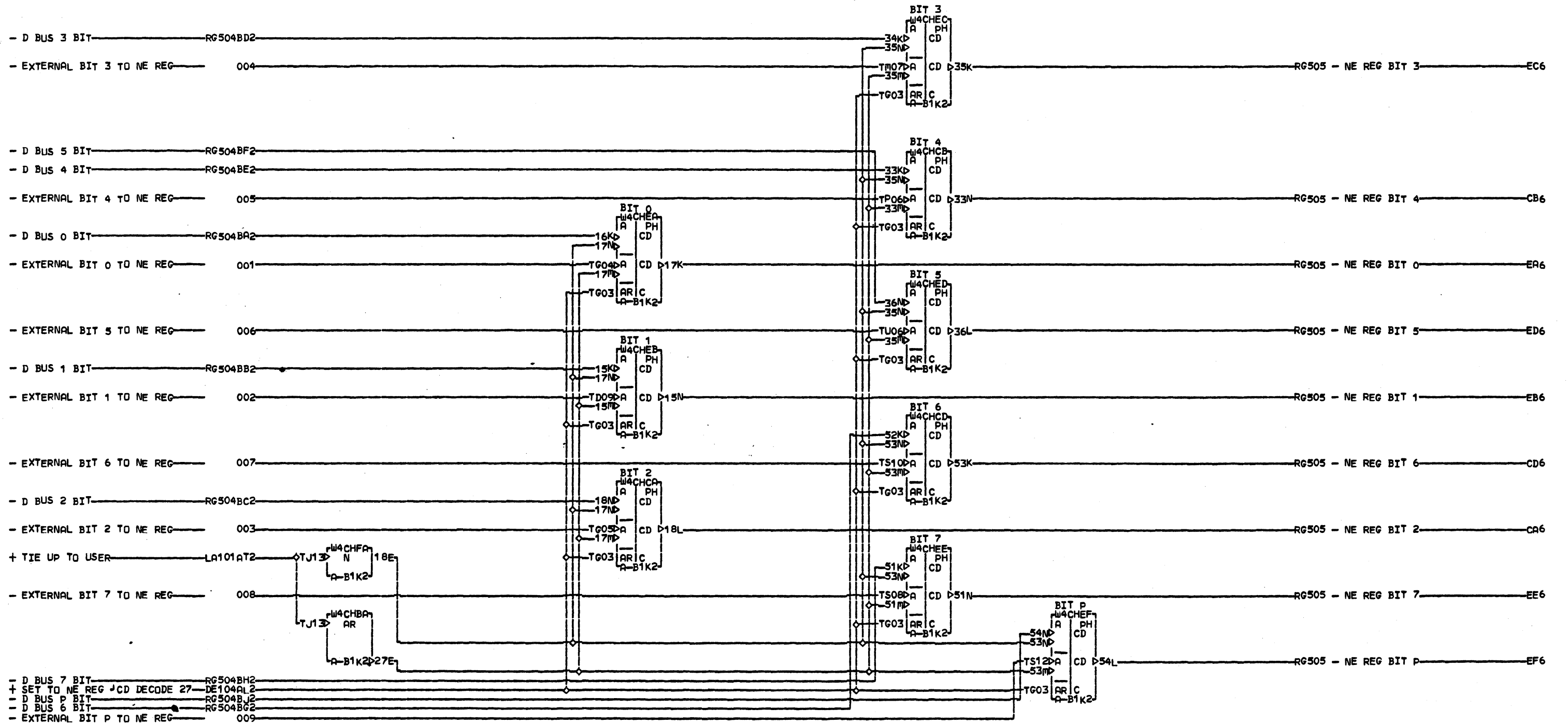
W4CH G.P. REGISTER		R G 5 0 1
TE REG		
E.C. HISTORY	B-MACH-3830-2	005
437380	FRAME 01	
DATE LAST EC	IBM CORP. SDD	
11-28-75 437381	P.N. 2290433	

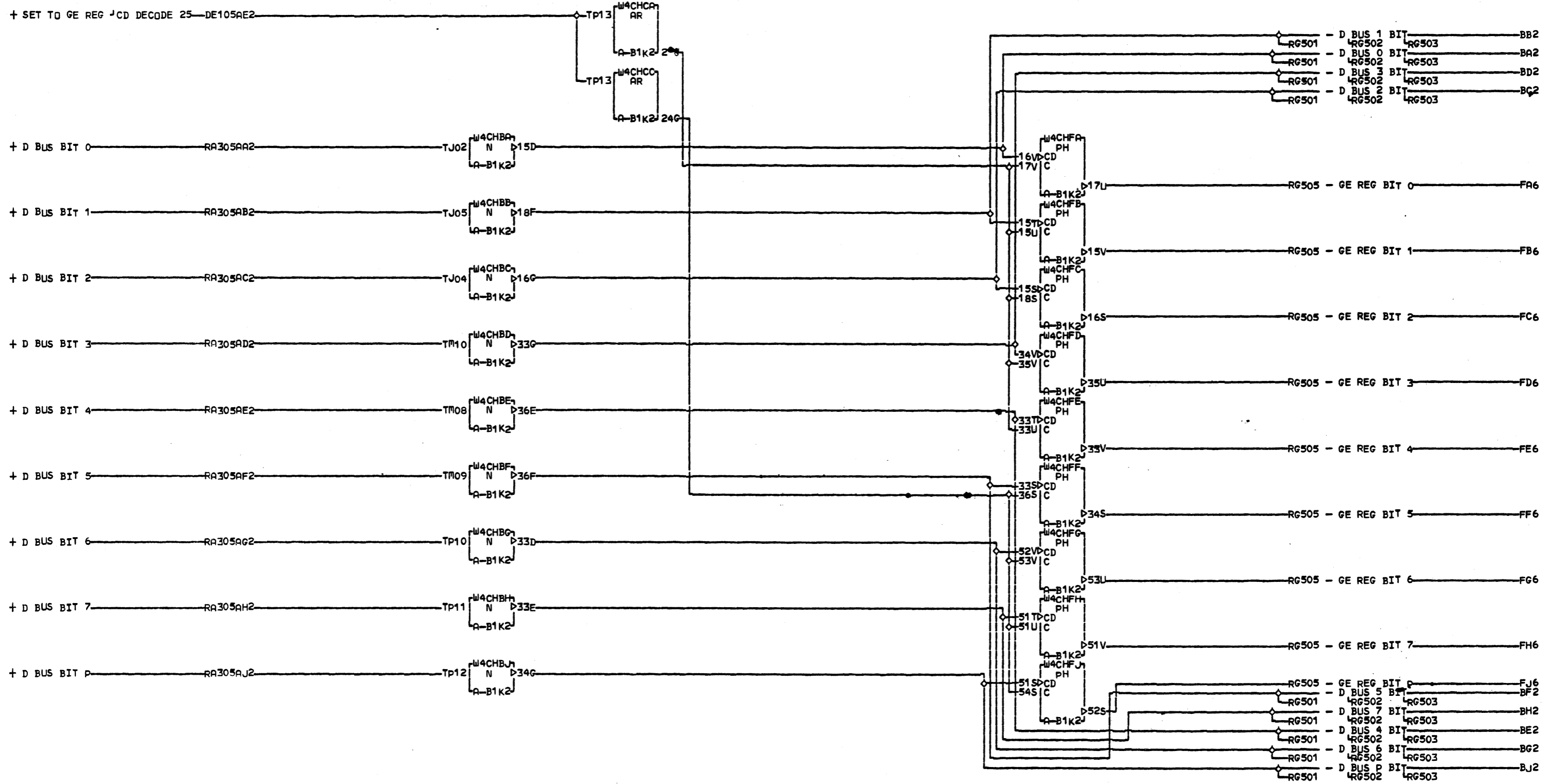


RG502

LOC. TYPE
A-B1K2 0692

W4CH G.P. REGISTER		R G 5 0 2
ME REGISTER		
E.C. HISTORY	B-MACH. 3830-2	000
437301	FRAME 01	
437305	IBM CORP. SD	
DATE LAST EC	P.No. 2345888	
06-15-73 437310		

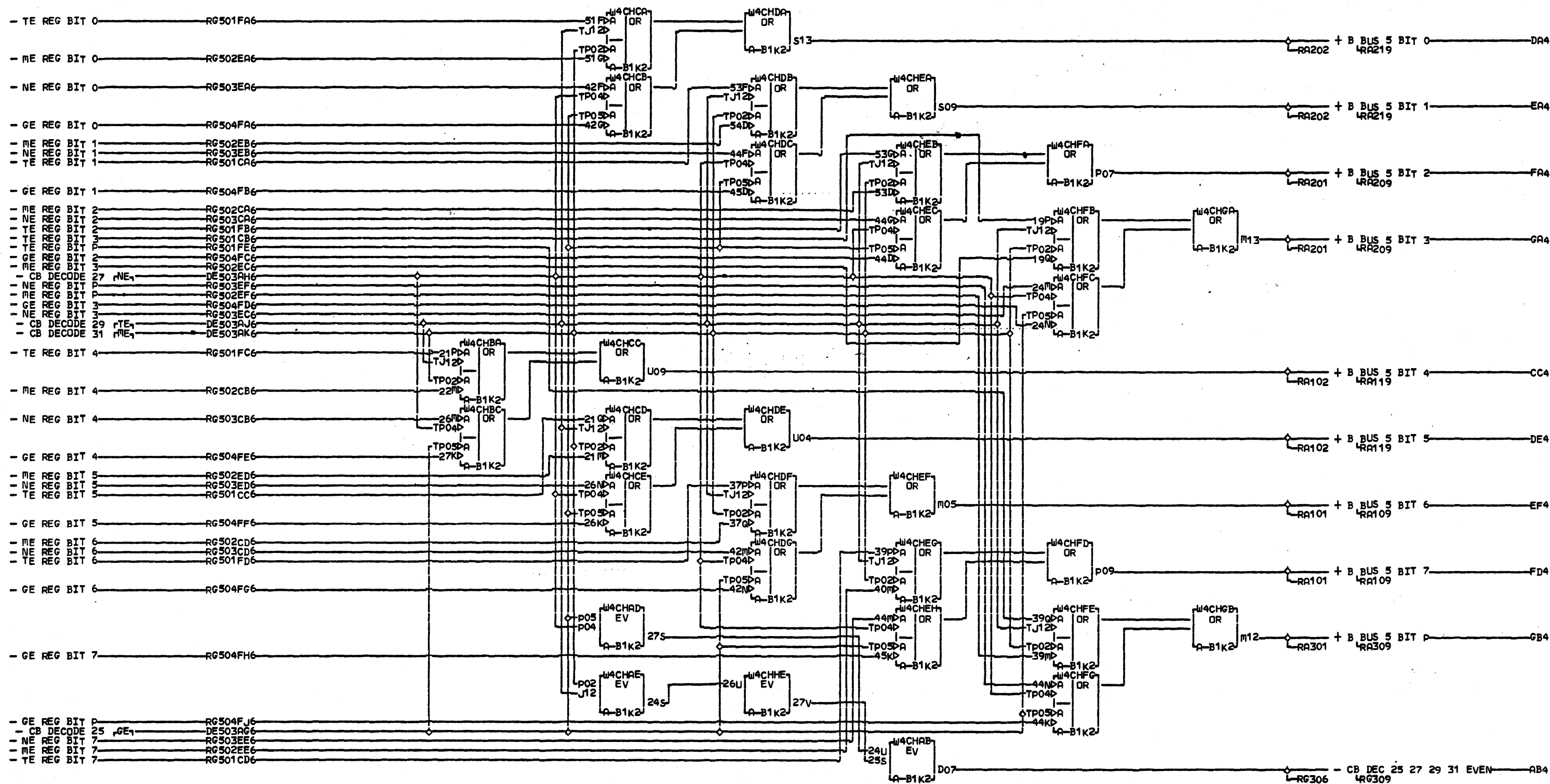




RG504
000

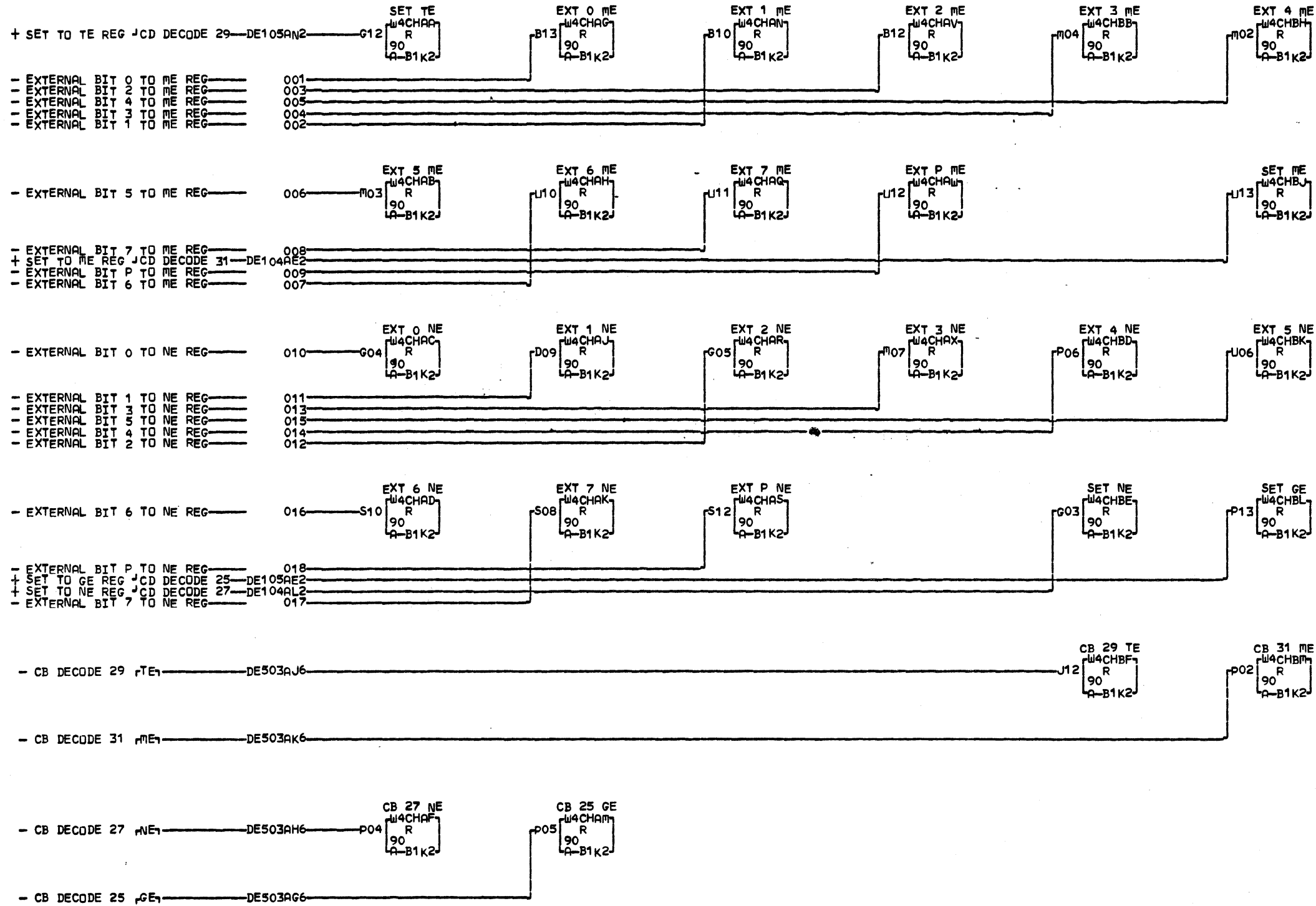
LOC. TYPE
A-B1K2 0692

W4CH G.P. REGISTER		R G S O 4
GE REGISTER		
E.C. HISTORY	MACH. 3830-2	000
437301	FRAME 01	
DATE LAST EC	IBM CORP. SD	
06-15-73 437310	P.N. 2345890	



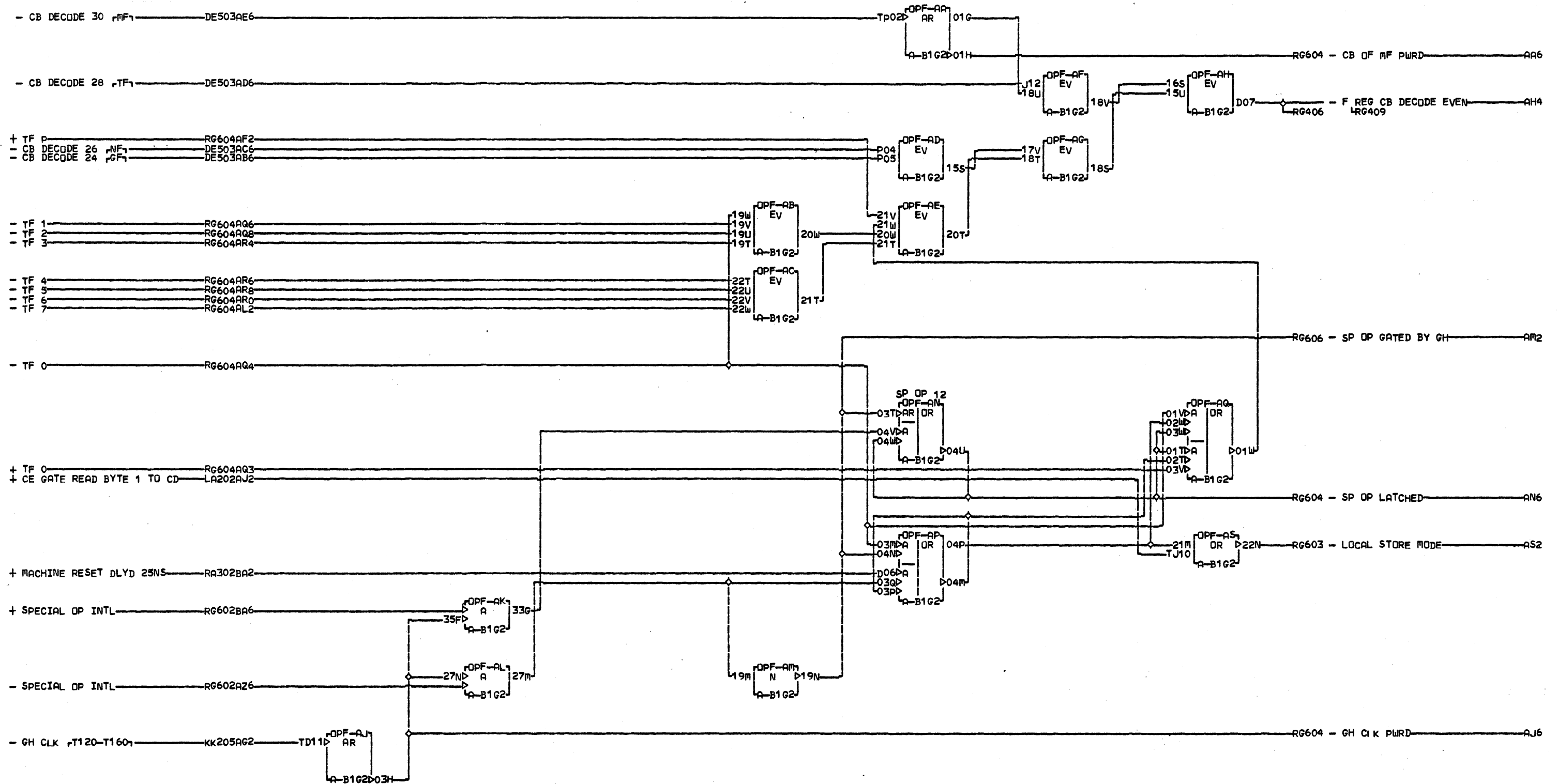
LOC. TYPE
A-B1K2 0692

W4CH G.P. REGISTER E		R G 5 0 5
PARTIAL B BUS ASSEM		
-E.C. HISTORY	B-MACH.3830-2	
437301		
DATE	LAST EC	IBM CORP. SD
06-15-73	437310	P.No. 2345891



LOC. TYPE
A-B1K2 0692

W4CH G.P. REGISTER	
RESISTOR PAGE	
E.C. HISTORY	B. MACH. 3830-2
437301	FRAME 01
437305	IBM CORP. SD
DATE	LAST EC
06-15-73	437310
P.No. 2345892	

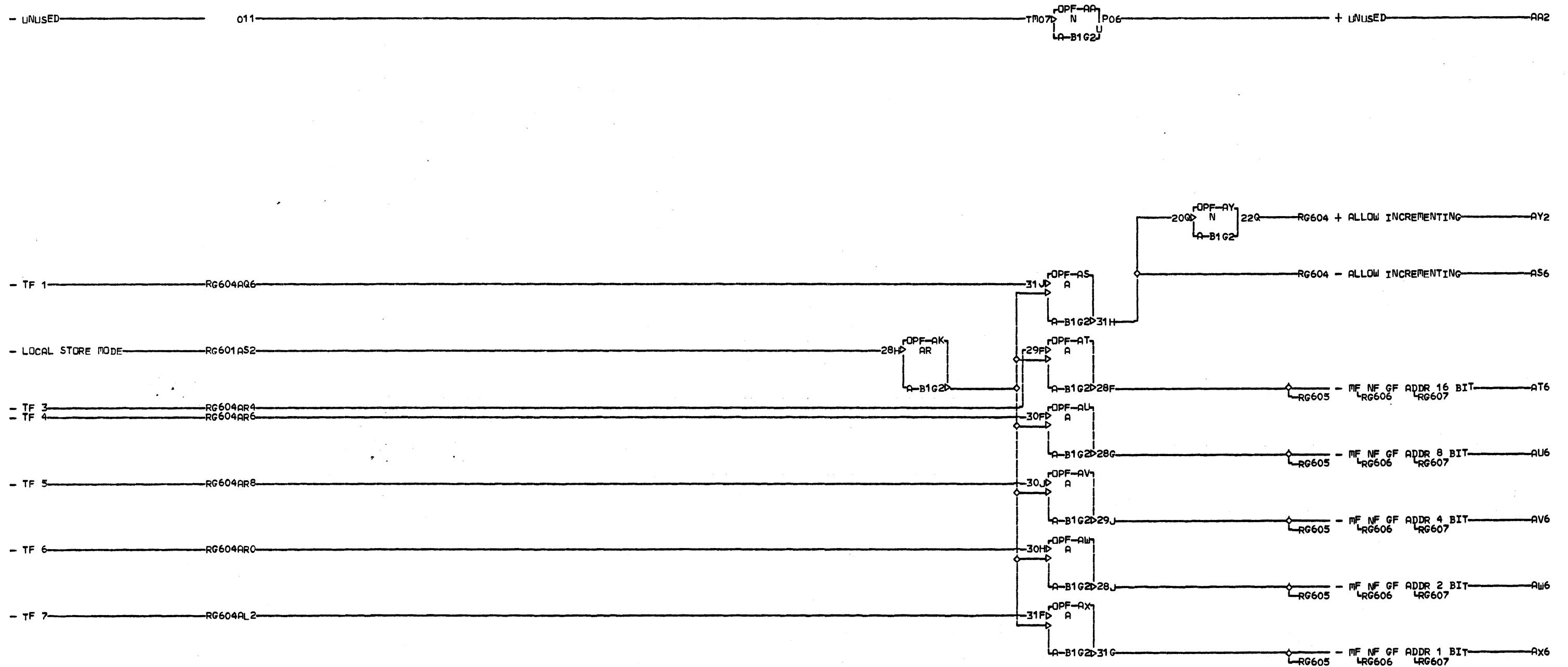


LOC. TYPE
A-B1G2 Z512

F REGS PARITY TREE AND POWERING	
E.C. HISTORY - 437380	B MACH. 3830-2
DATE 11-28-75	LAST EC 437381
FRAME 01	IBM CORP. GPD
P.o.N. 2290434	

RG601

RG601

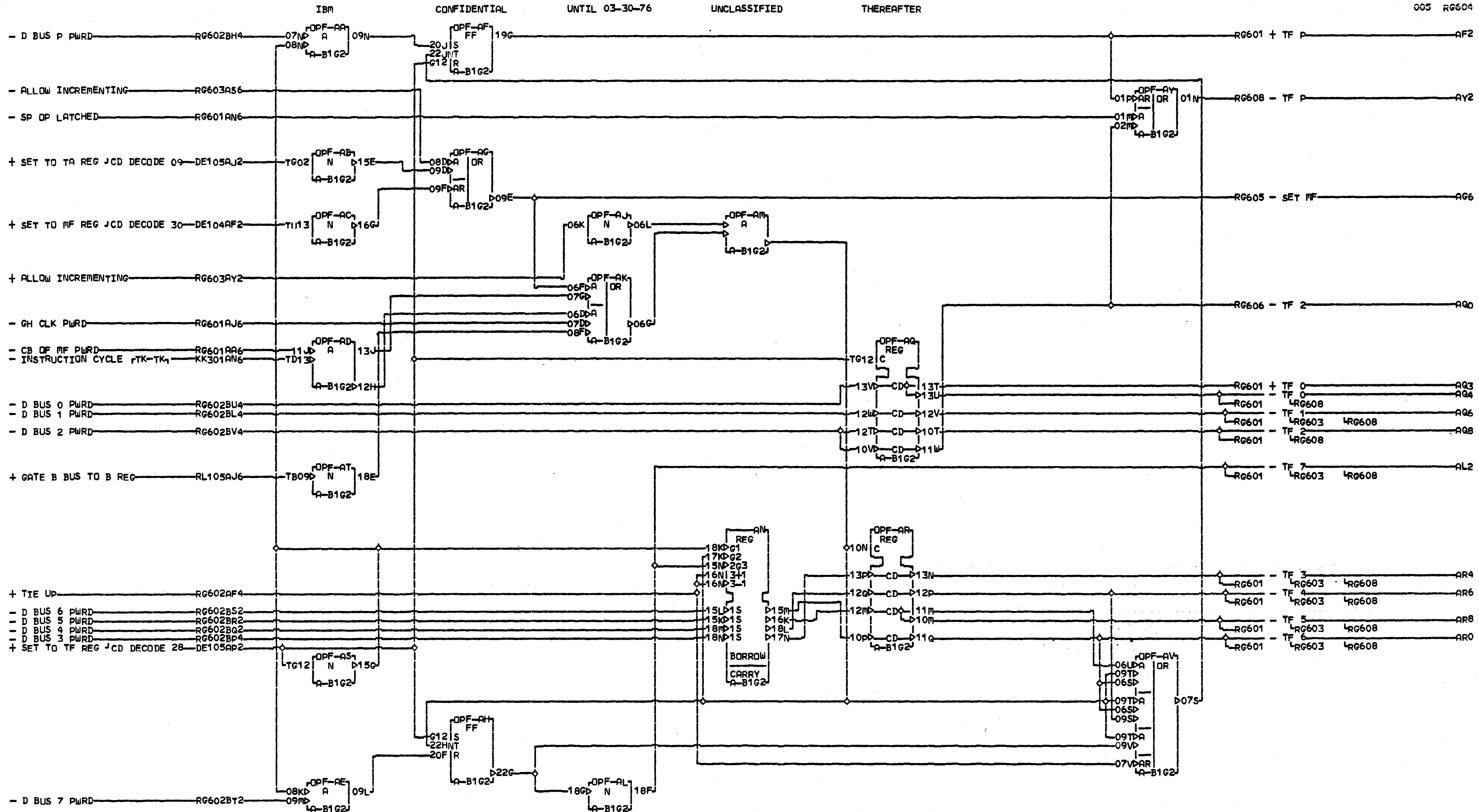


LOC. TYPE
A-B1G2 2512

F REG LOCAL STORE ADDRESSING		R G 6 0 3
NF REGISTER		
E.C. HISTORY 437380	MACH. 3830-2	005
DATE LAST EC 11-28-75 437381	FRAME 01 IBM CORP. GPD P.No. 2290436	

CONFIDENTIAL UNTIL 03-30-76 UNCLASSIFIED THEREAFTER

005 RG604



R
G
6
0
4

LDC. TYPE
A-B1G2 Z512

TF REGISTER OF REGISTER		MACH.3830-2	FRAME 01
E.C.-HISTORY			
437380		IBM CORP. GPD	
DATE LAST EC		P.O. 2290437	
11-28-75 437381			

R
G
6
0
4
005

IBM

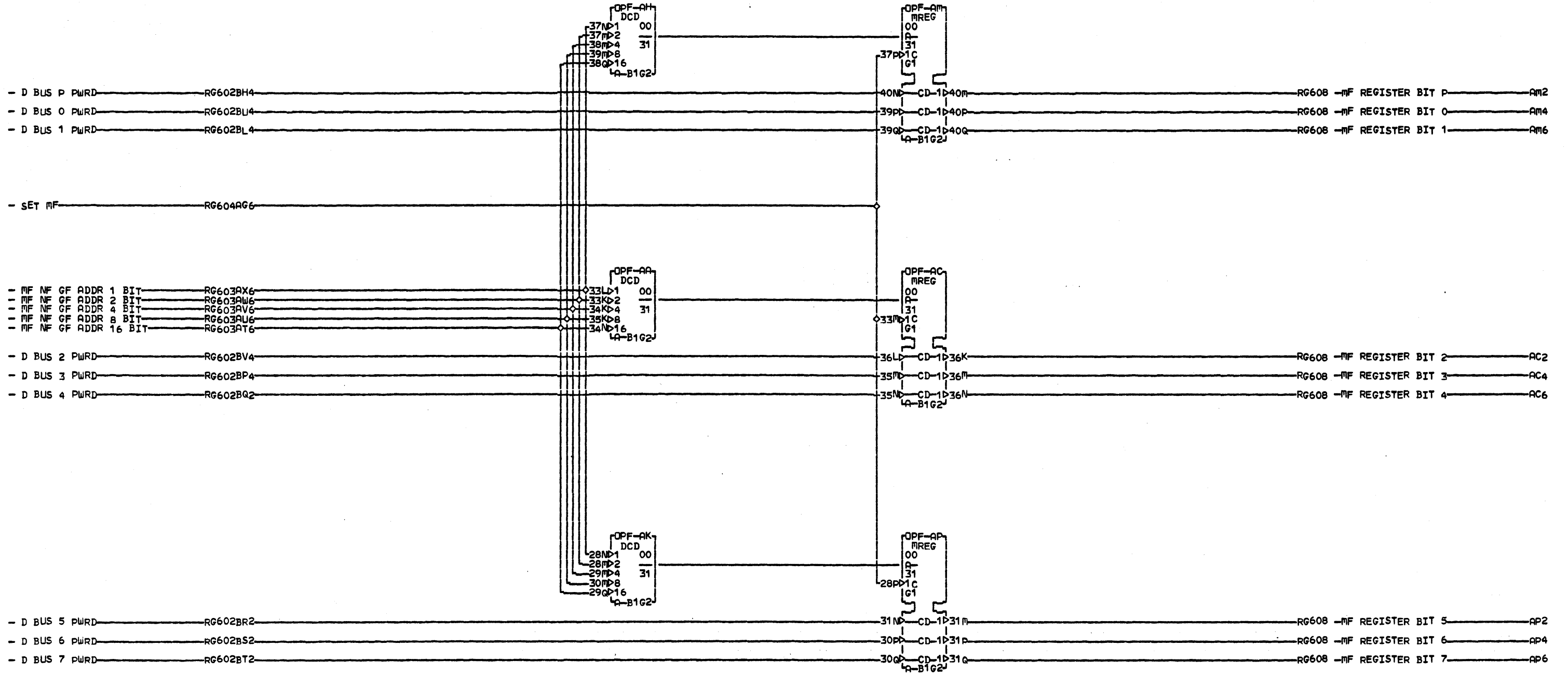
CONFIDENTIAL

UNTIL 03-30-76

UNCLASSIFIED

THEREAFTER

005 RG605



RG605

LOC. TYPE
A-B1G2 Z512

MF REGISTER	
PARTIAL B BUS ASSEM	
E.C. HISTORY 437380	B MACH. 3830-2
DATE 11-28-75	LAST EC 437381
FRAME 01	IBM CORP. GPD
P.N. 2290438	

RG605

005

IBM

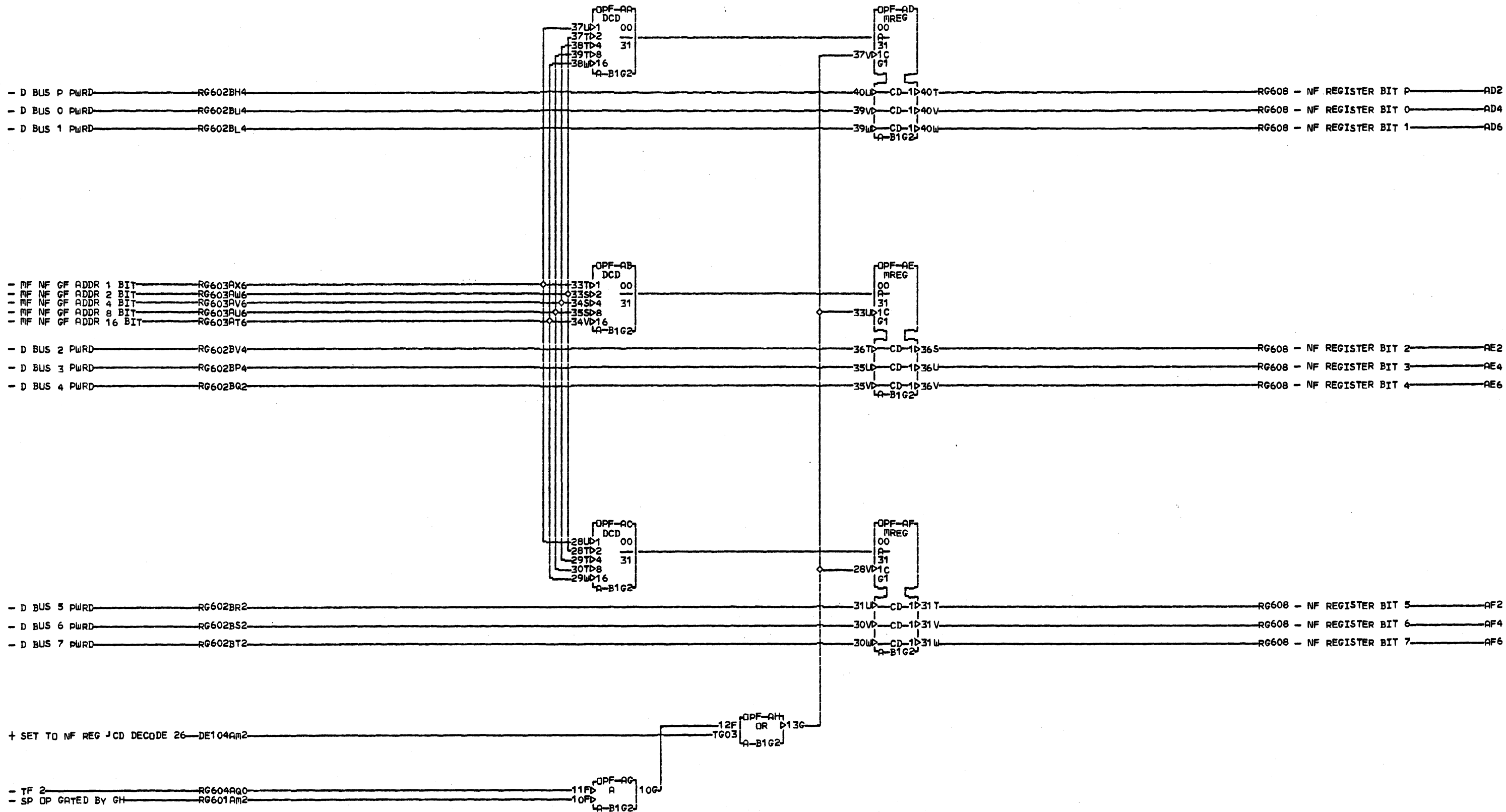
CONFIDENTIAL

UNTIL 03-30-76

UNCLASSIFIED

THEREAFTER

005 RG606



LDC TYPE
A-B1G2 2512

NF REGISTER	
E.C. HISTORY 437380	MACH. 3830-2 FRAME 01
DATE 11-28-75	IBM CORP. GPD PoN. 2290439
LAST EC 437381	

R
G
6
0
6

R
G
6
0
6

IBM

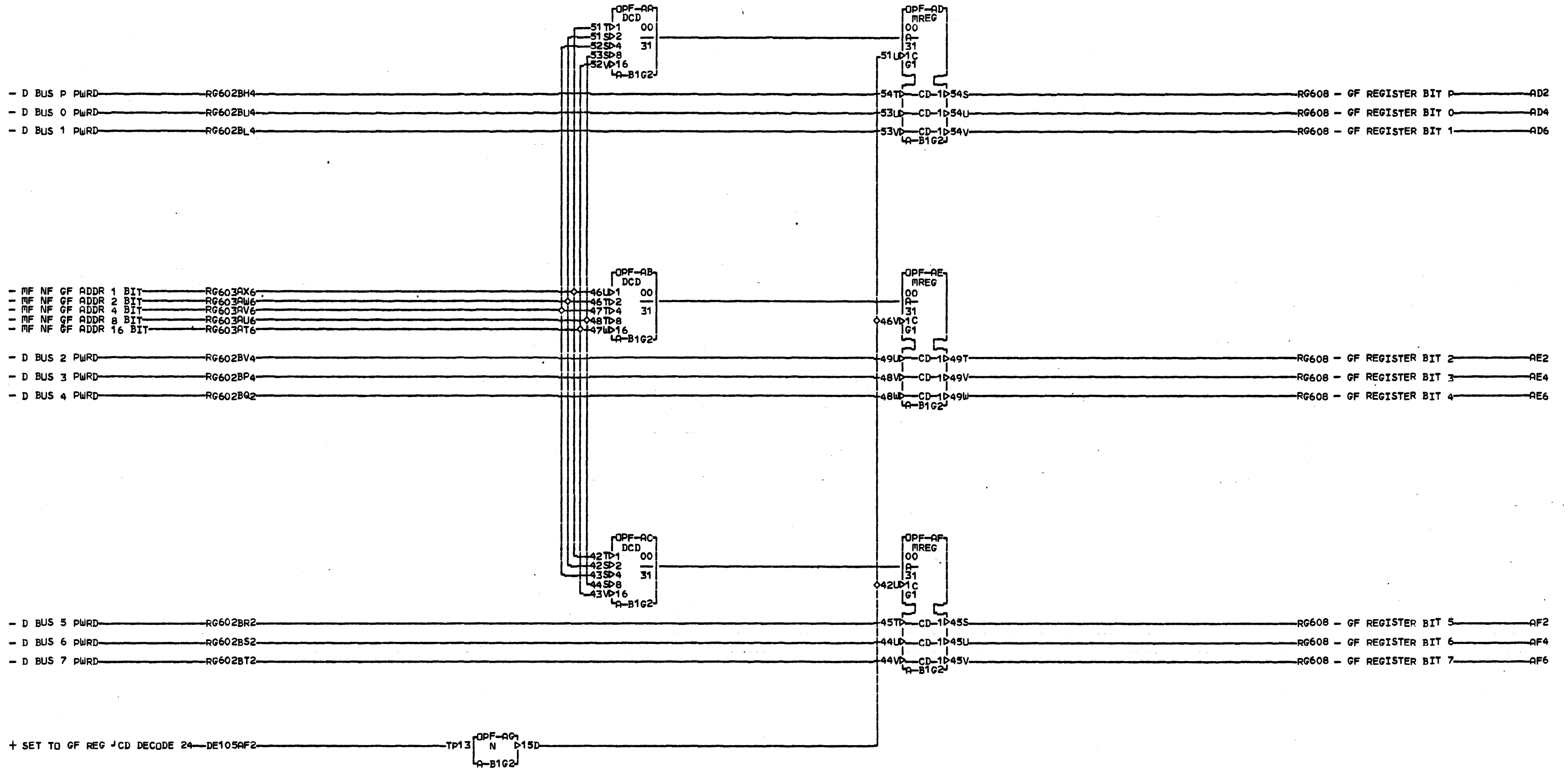
CONFIDENTIAL

UNTIL 03-30-76

UNCLASSIFIED

THEREAFTER

005 RG607



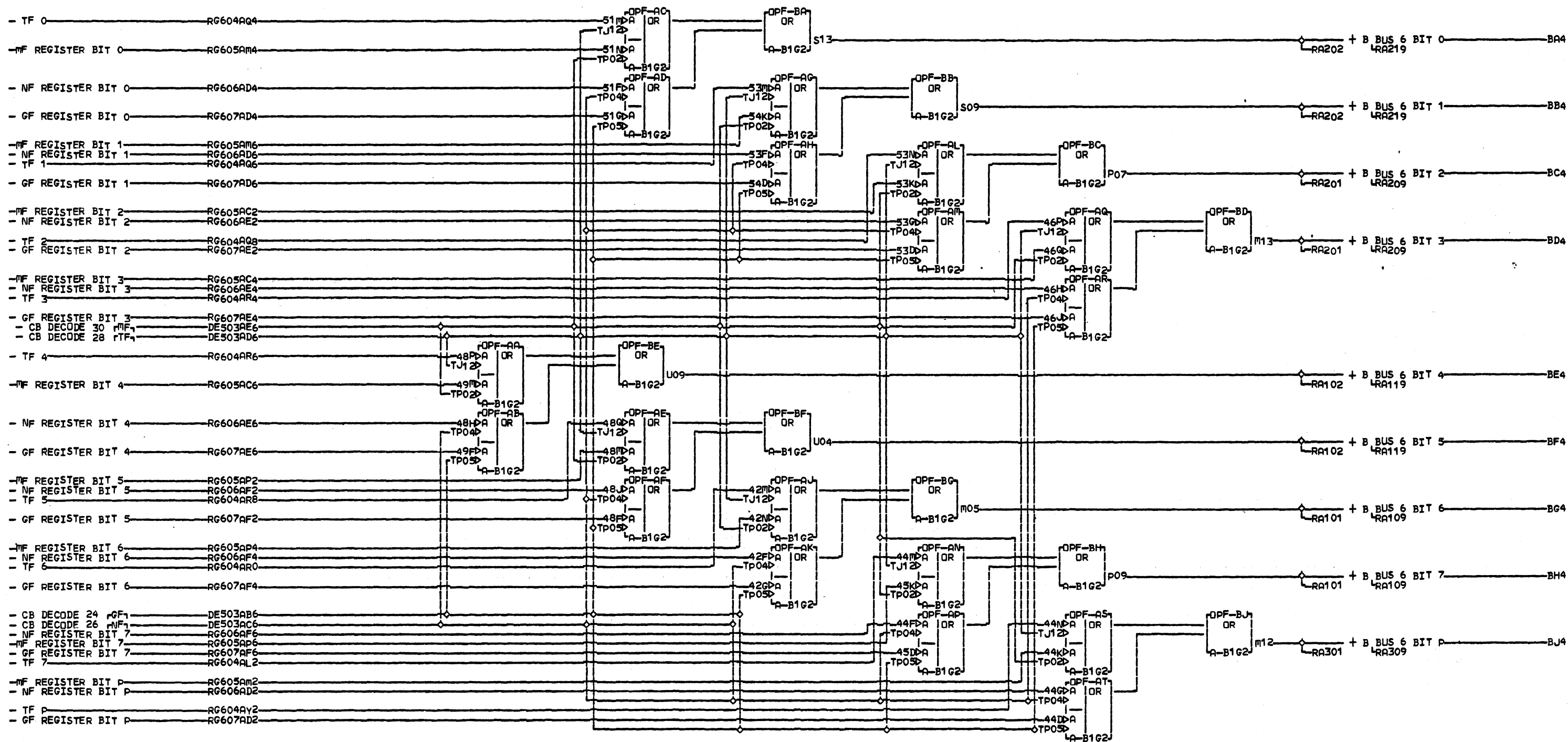
LOC. TYPE
A-B1G2 2512

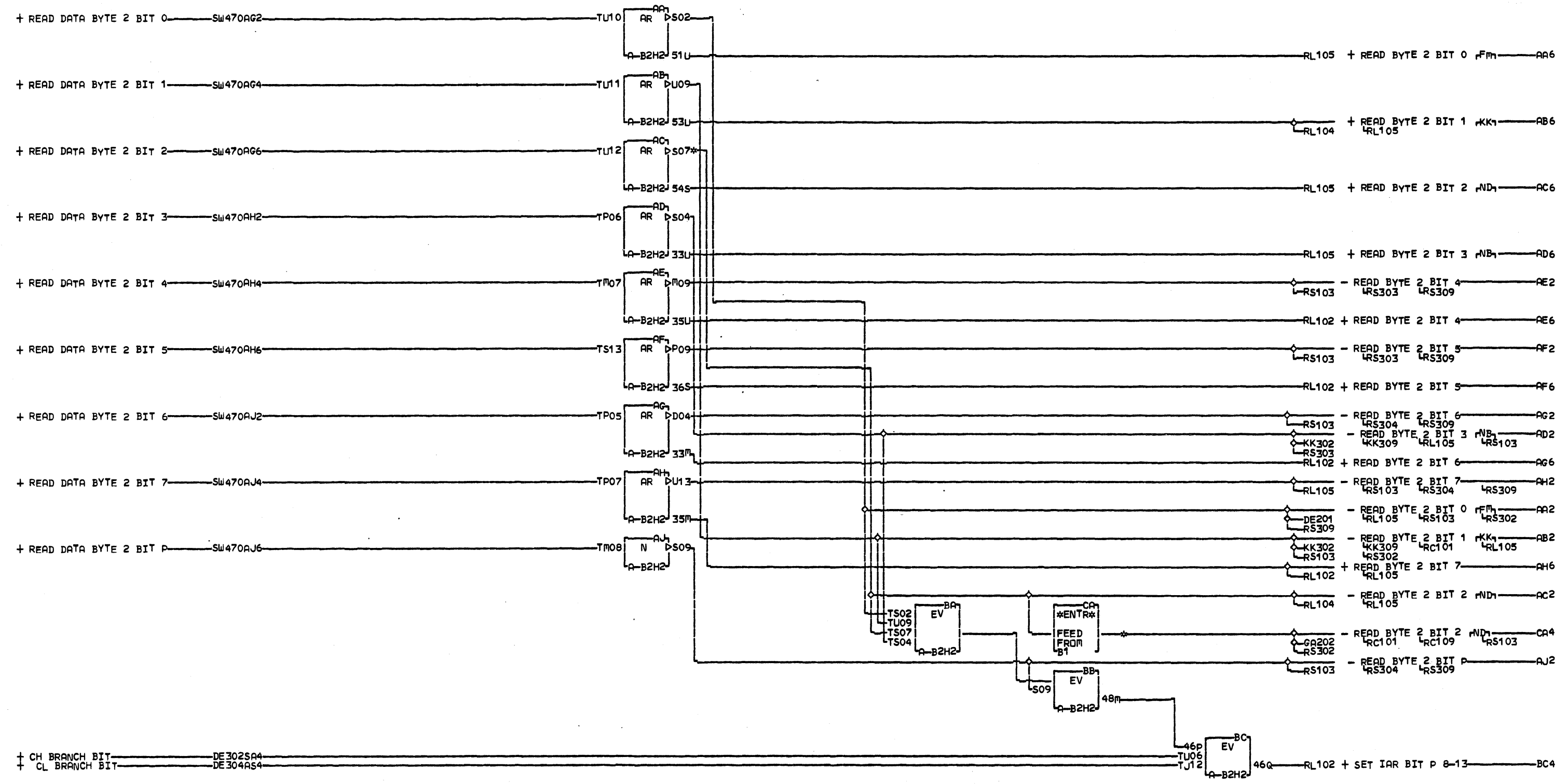
GF REGISTER	
E.C. HISTORY 437380	B MACH. 3830-2
DATE 11-28-75	LAST EC 437381
FRAME 01	IBM CORP. SDD
P.N. 2290440	

RG607

005

RG607



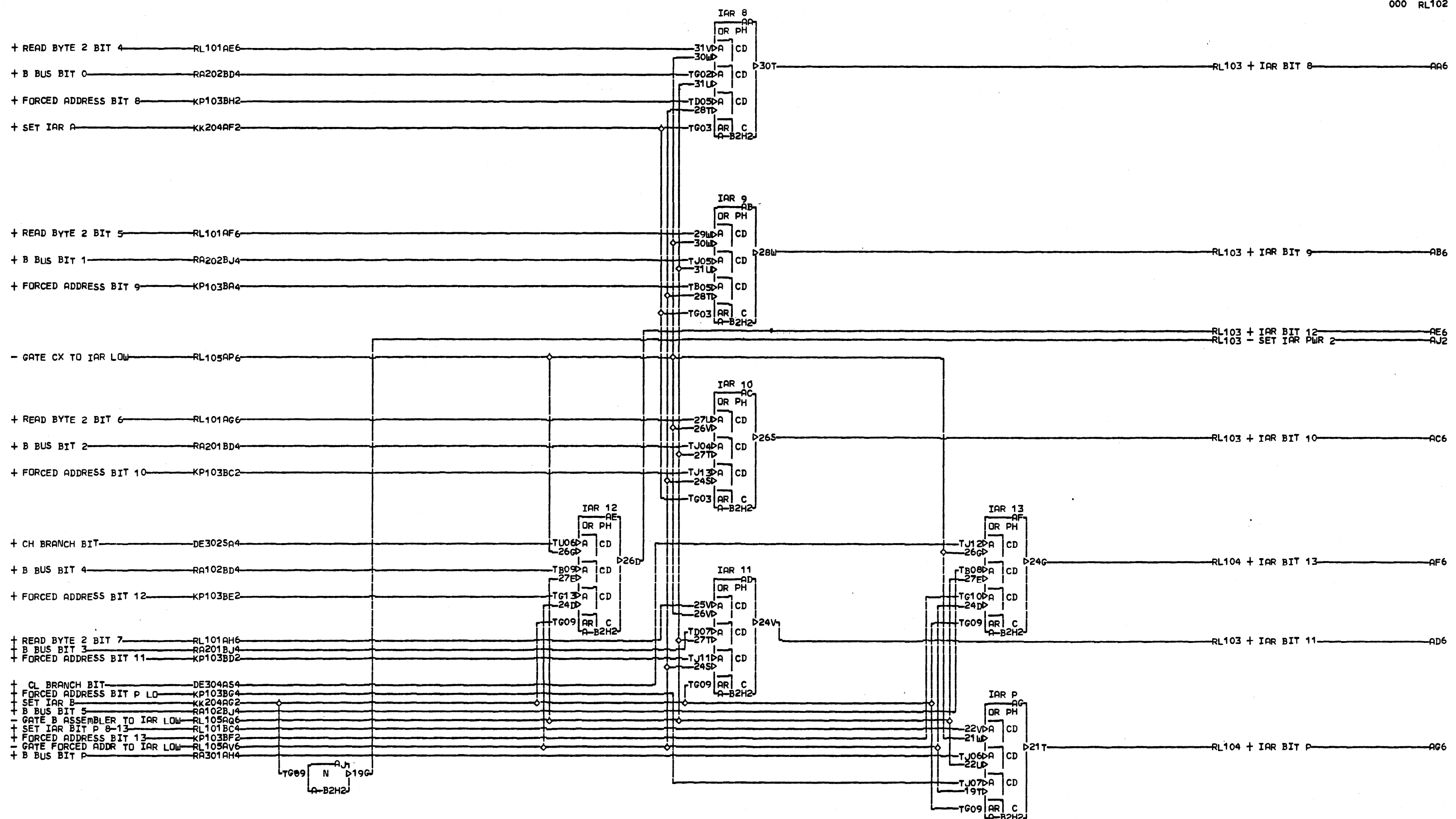


AC2 A-B2A2D12
 CA4 A-B1B1D13
 2 01A-B1B1C13
 2 01A-B2A2D13

LOC. TYPE
 A-B2H2 0699

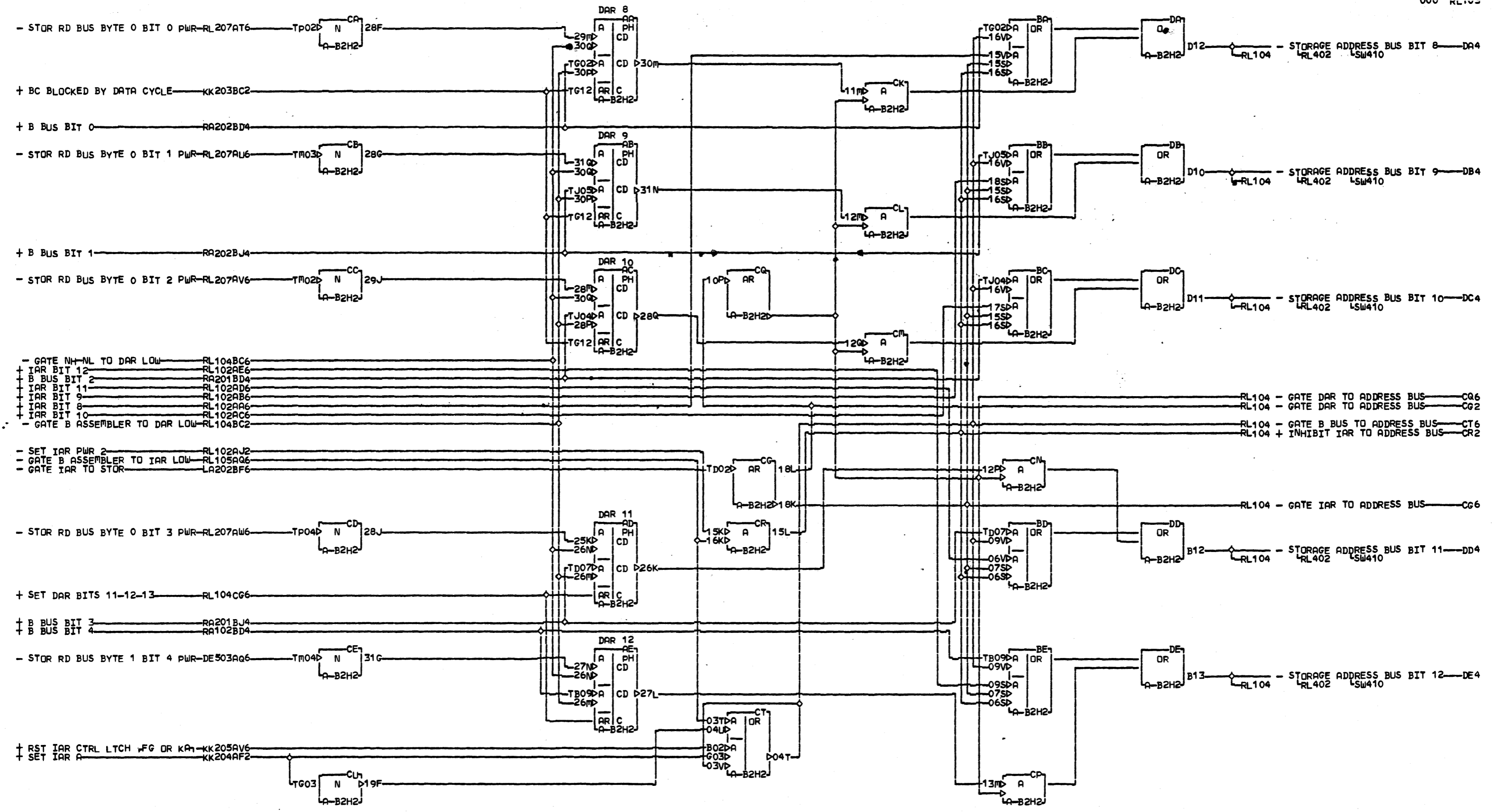
READ BYTE 2 ASSEMBLY AND IAR PARITY GENERATION		R
E.C. HISTORY	MACH. 3830-2	L
437301		1
437302	FRAME	01
	IBM CORP. SDD	000
DATE	LAST EC	
06-15-73	437310	
	P.N. 2345899	

R
L
1
0
1



LOC. TYPE
A-B2H2 0699

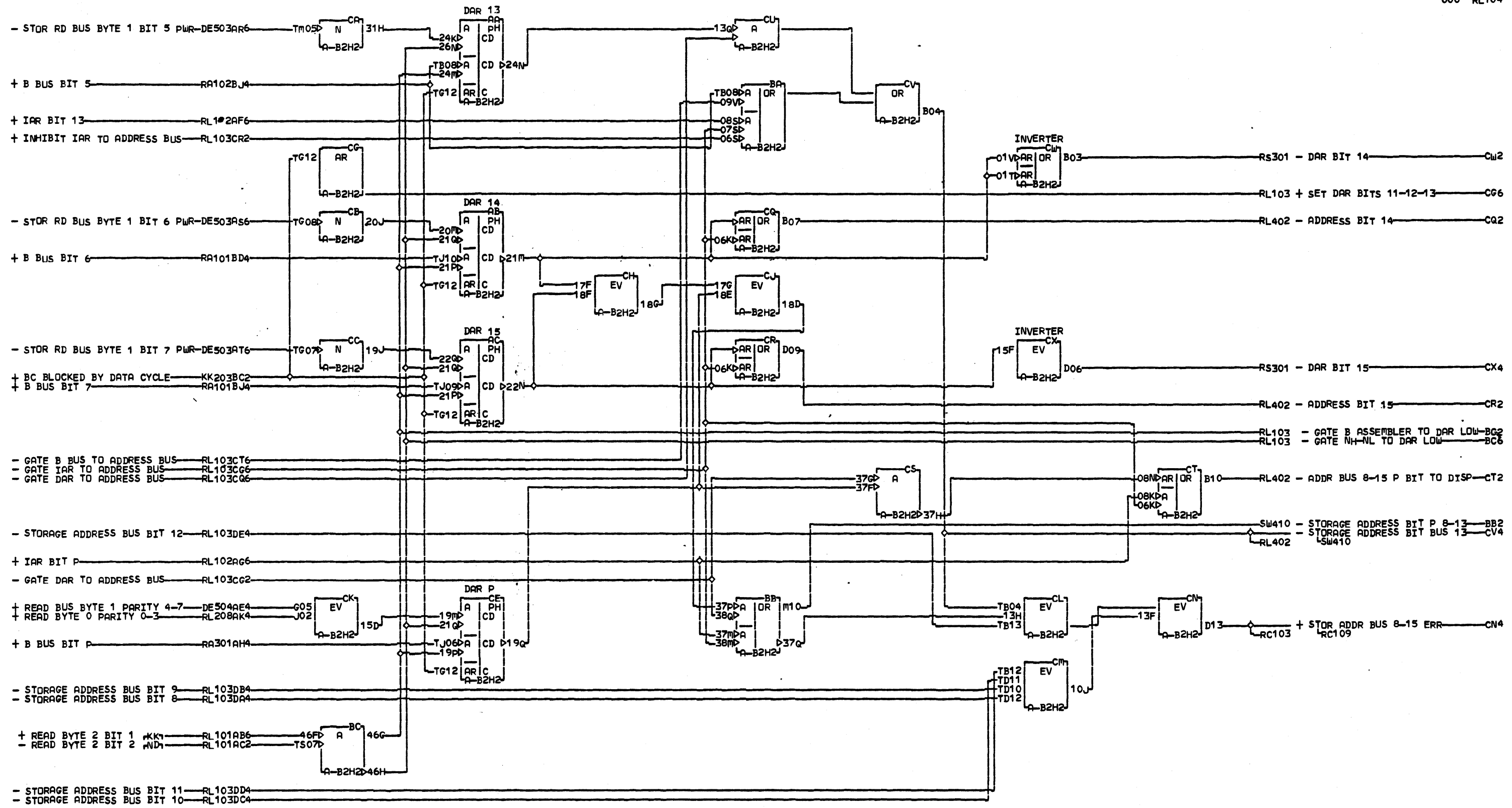
IAR REG-LOW ORDER	
BITS 8 THRU 13 AND PARITY	
E.C. HISTORY	MACH. 3830-2
437301	
FRAME	01
IBM CORP. SDD	
DATE	LAST EC
06-15-73	437310
P.N.	2345900



LOC. TYPE
A-B2H2 0699

DAR REG-LOW ORDER		R L 1 0 3
BITS 8 THRU 12		
-E.C.-HISTORY	-MACH.3830-2	
437301	FRAME	01
437302	IBM CORP. SDD	
DATE	LAST EC	000
06-15-73	437310	P.No. 2345901

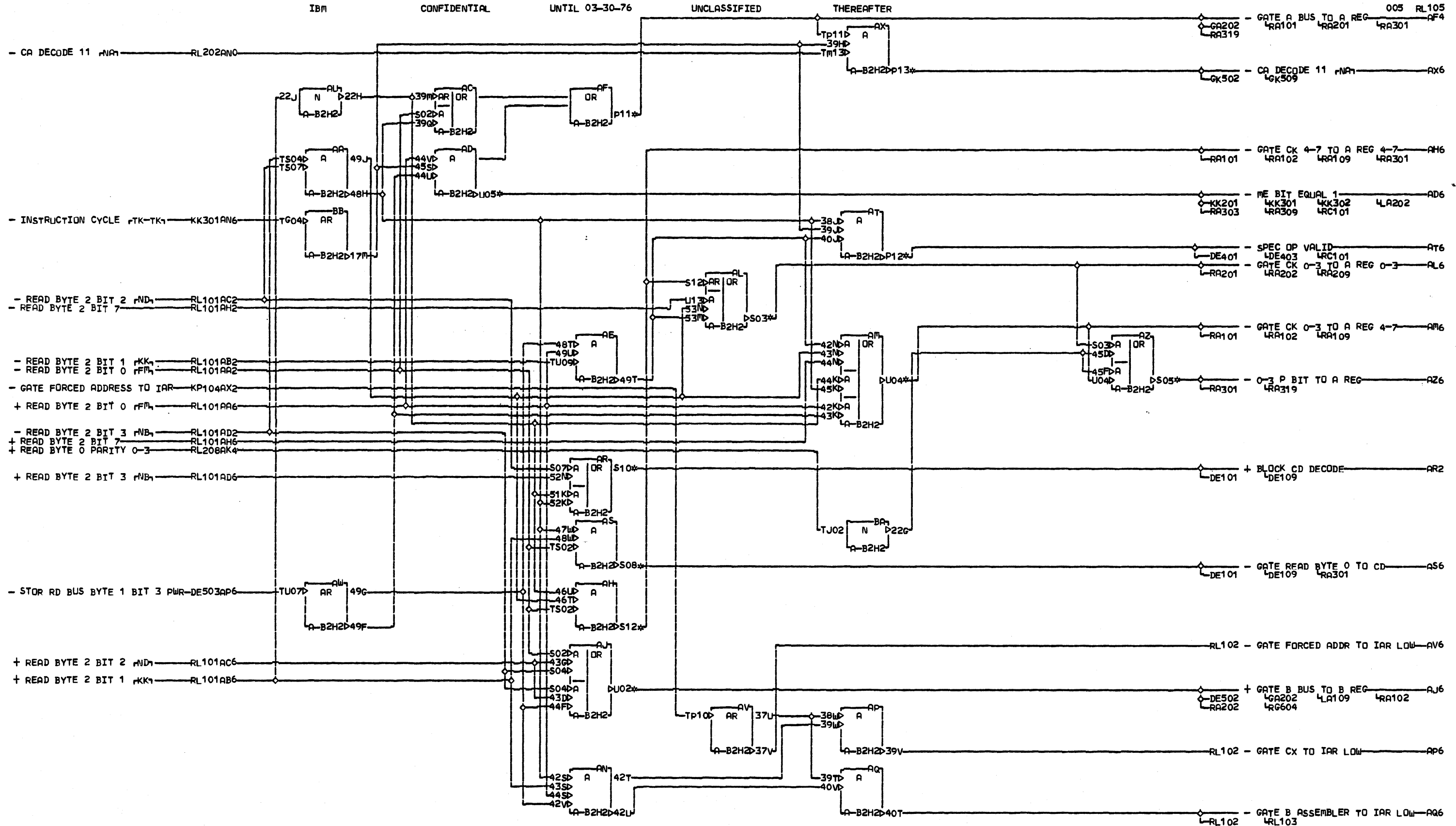
30-17 R
3
000



LCC TYPE
A-B2H2 0699

DAR REG LOW ORDER		R L 1 0 4
BITS 13 THRU 15 AND PARITY		
E.C. HISTORY	B. MACH. 3830-2	000
437301	FRAME 01	
437302	IBM CORP. SDD	
DATE LAST EC	P.N. 2345902	
06-15-73 437310		

IBM CONFIDENTIAL UNTIL 03-30-76 UNCLASSIFIED THEREAFTER



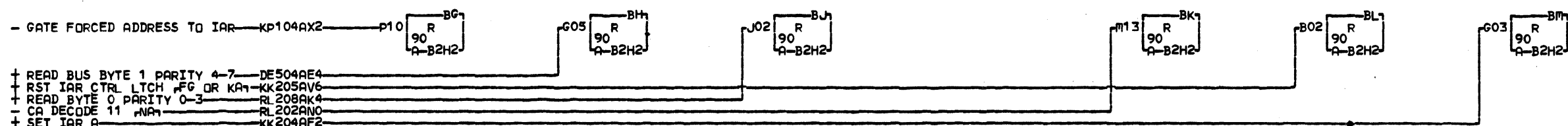
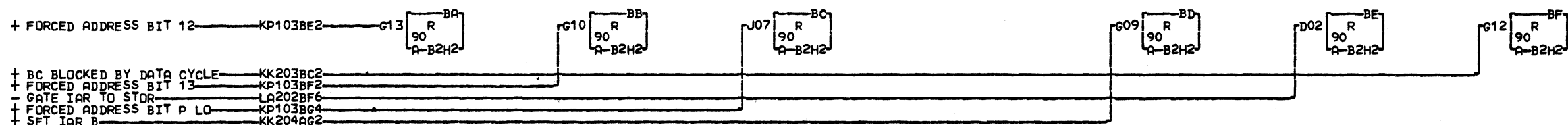
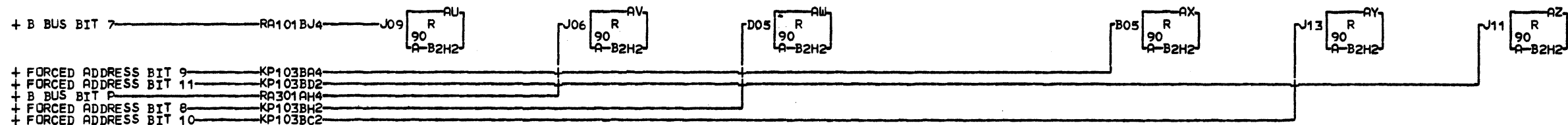
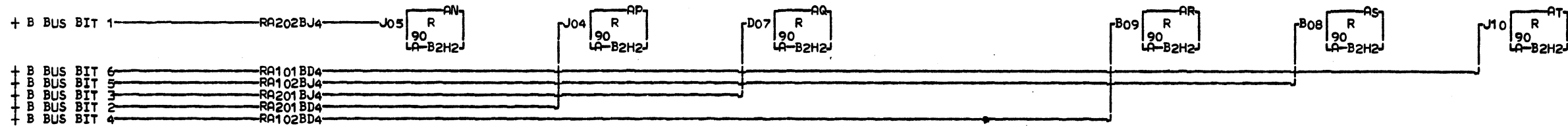
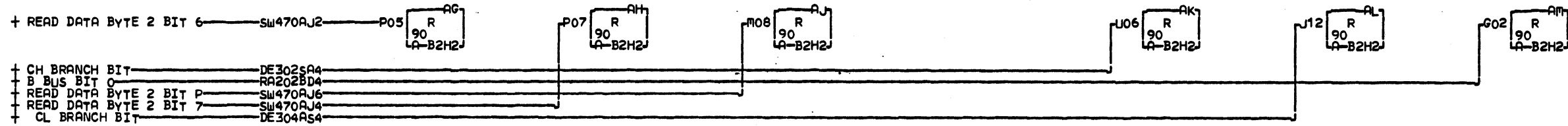
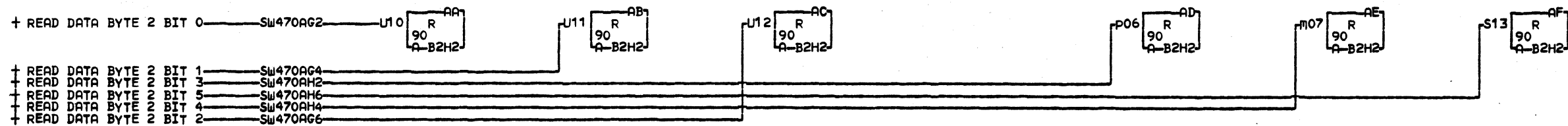
RL105
005
005 COPYRIGHT IBM CORP 1976
SIM TO PN 2345903 EC 437310

AD6 A-B2R1D11 A 01A-B1H6C04 AX6 A-B2A5D12
 A 01A-B1R6D04 AM6 A-B2G1A11 1 01A-A1U1E11
 AF4 A-B2H1A11 A 01A-B1G6A04 AZ6 A-B2R1D13
 A 01A-B1H6A04 AR2 A-B2R1E11 A 01A-B1R6D02
 AH6 A-B2H1B11 A 01A-B1R6E04
 A 01A-B1H6B04 AS6 A-B2S1A11
 AJ6 A-B2K1B11 A 01A-B1S6A04
 A 01A-B1K6B04 AT6 A-B2T1D11
 AL6 A-B2H1C11 A 01A-B1T6D04

LOC. TYPE
A-B2H2 0699

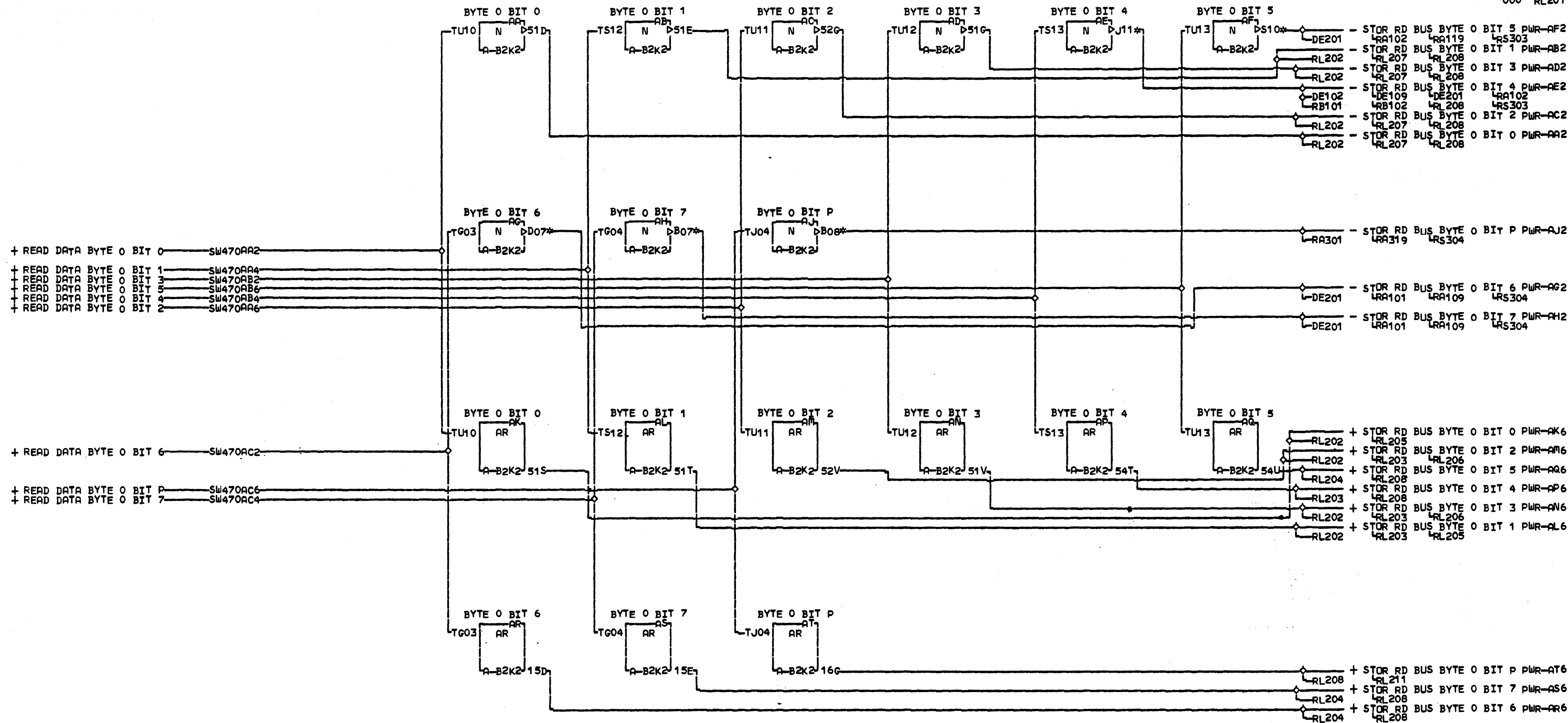
FORMAT DECODES	
E.C. HISTORY	B. MACH. 3830-2
437380	FRAME 01
DATE LAST EC	IBM CORP. SDD
11-28-75 437381	P.N. 2290443

RL105
1
0
5
005



LOC. TYPE
A-B2H2 0699

TERMINATORS	
—E.C.—HISTORY—	B MACH. 3830-2
437301	FRAME 01
437302	IBM CORP. SDD
437305	
DATE	LAST EC
06-15-73	437310
	P.No. 2345904



AE2 A-B2C1A13 A 01A-B1S6A02
 A 01A-B1C6A02
 AF2 A-B2B1E13
 A 01A-B1B6E02
 AG2 A-B2C1A11
 A 01A-B1C6A04
 AH2 A-B2B1E11
 AI 01A-B1B6E04
 AJ2 A-B2S1A13

LQC. TYPE
 A-B2K2 0698

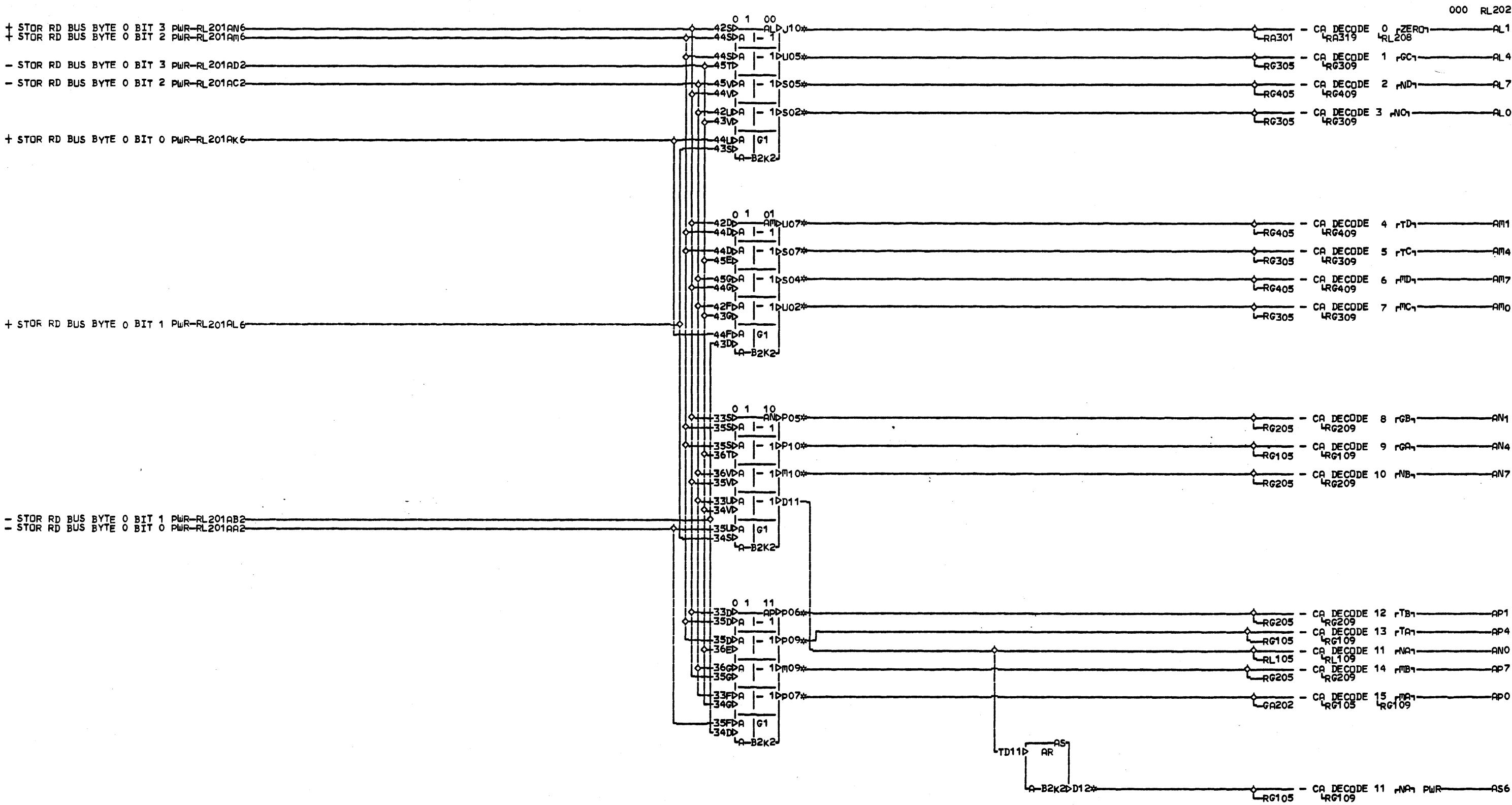
STOR READ BUS BYTE 0	
E.C. HISTORY	MACH. 3830-2
437301	FRAME 01
437302	IBM CORP. SDD
DATE LAST EC	P.N. 2345905
06-15-73 437310	

RL201

000

RL201

000



000 RL202

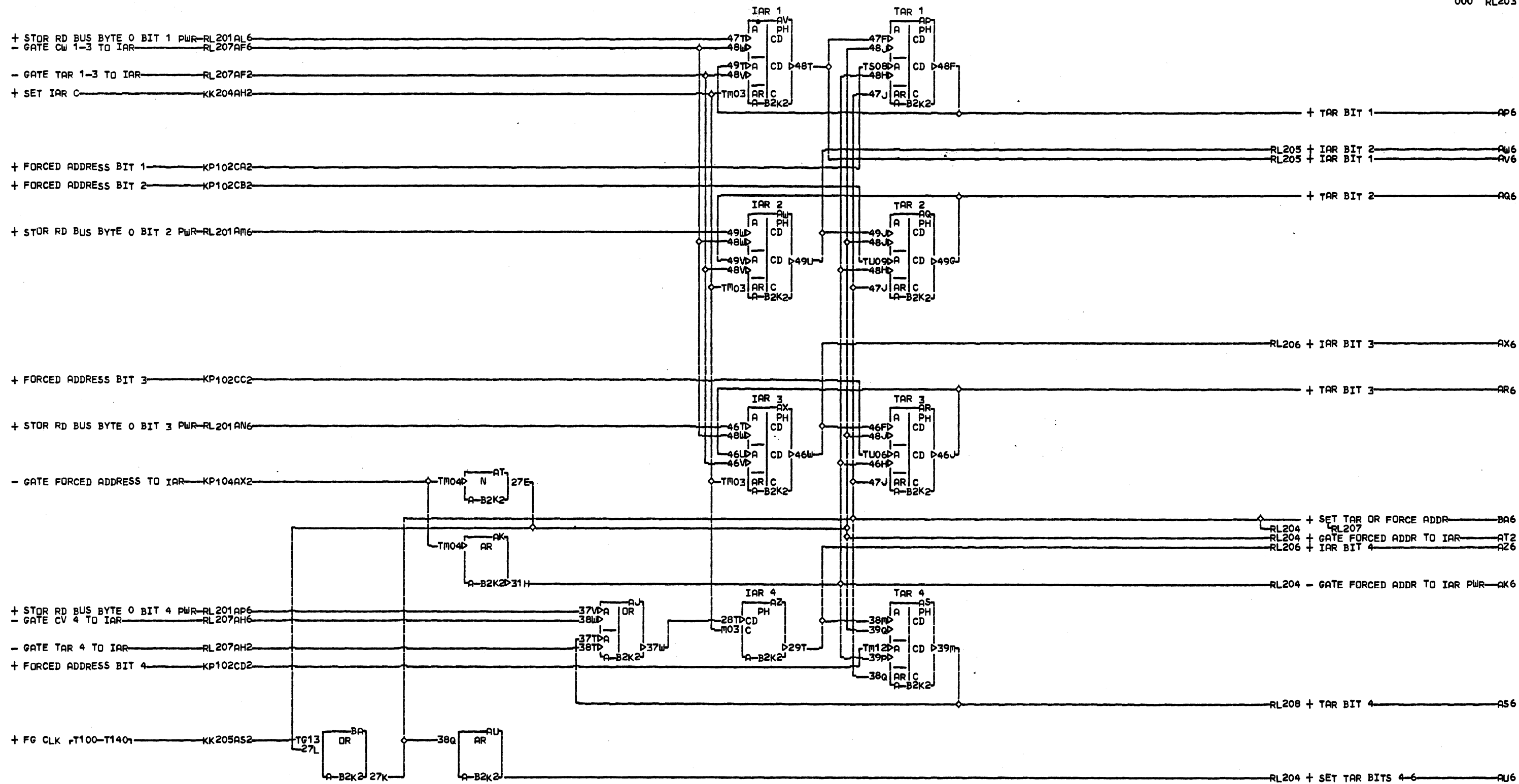
AL10A-B2Q1C11	A 01A-B1Q6D04	AN4 A-B2N1C13	A 01A-B1B6D02
A 01A-B1Q6C04	AM1 A-B2N1A13	A 01A-B1B6B02	AP7 A-B2R1A11
AL1 A-B2R1B11	A 01A-B1A6E02	AN7 A-B2Q1E11	A 01A-B1R6A04
A 01A-B1R6B04	AM4 A-B2Q1D13	A 01A-B1Q6E04	AS6 A-B2N1D13
AL4 A-B2Q1C13	A 01A-B1Q6D02	AP10A-B2N1D11	A 01A-B1B6C02
A 01A-B1Q6C02	AM7 A-B2N1B13	A 01A-B1B6C04	
AL7 A-B2M1E13	A 01A-B1B6A02	AP1 A-B2R1A13	
A 01A-B1A6D02	AM1 A-B2Q1E13	A 01A-B1R6A02	
AM10A-B2Q1D11	A 01A-B1Q6E02	AP4 A-B2N1E13	

LOC. TYPE
A-B2K2 0698

CA FIELD DECODE	
E.C. HISTORY 437301	MACH. 3830-2
DATE LAST EC 06-15-73 437310	FRAME 01 IBM CORP. SDD P.N. 2345906

RL202
000

RL202
000

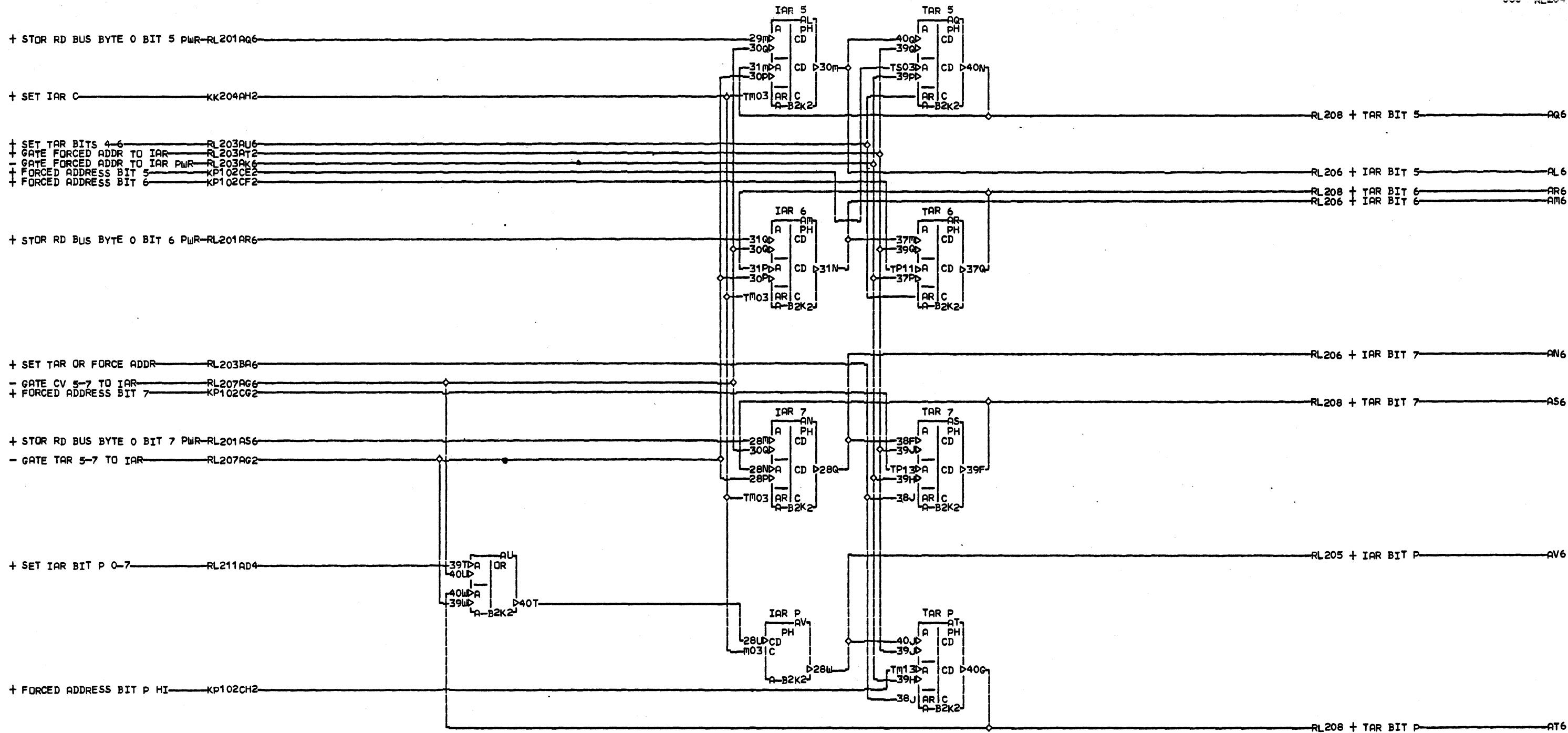


LOC. TYPE
A-B2K2 0698

IAR AND TAR REGS BITS 1-4	
E.C. HISTORY	MACH. 3830-2
437301	FRAME 01
DATE LAST EC	IBM CORP. SDD
06-15-73 437310	P.N. 2345907

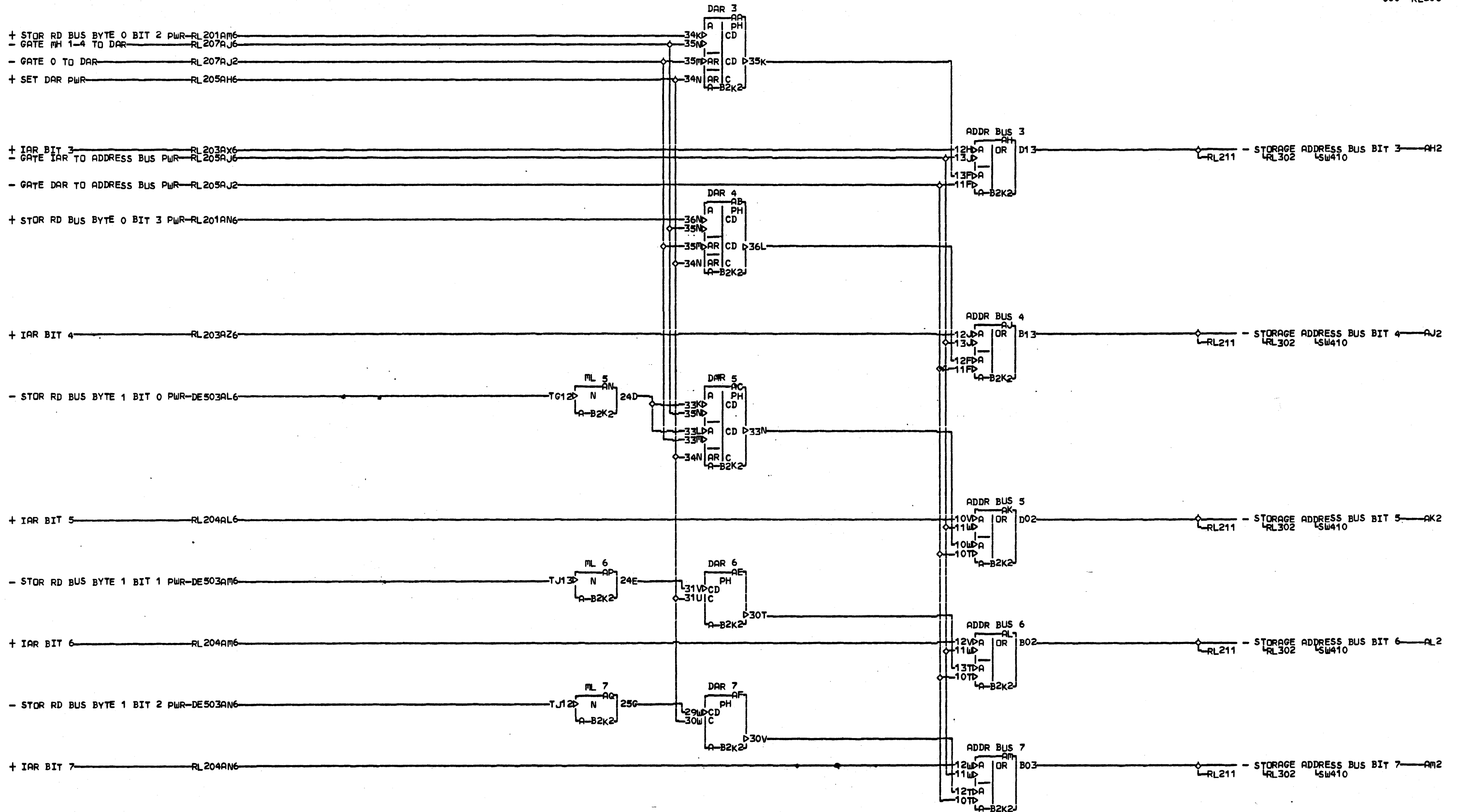
3
000

R
L
2
0
3
000



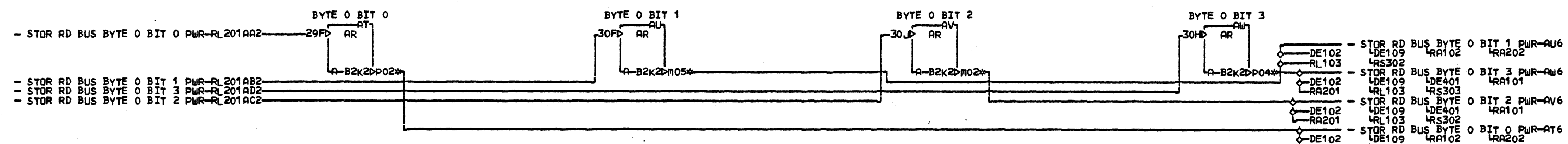
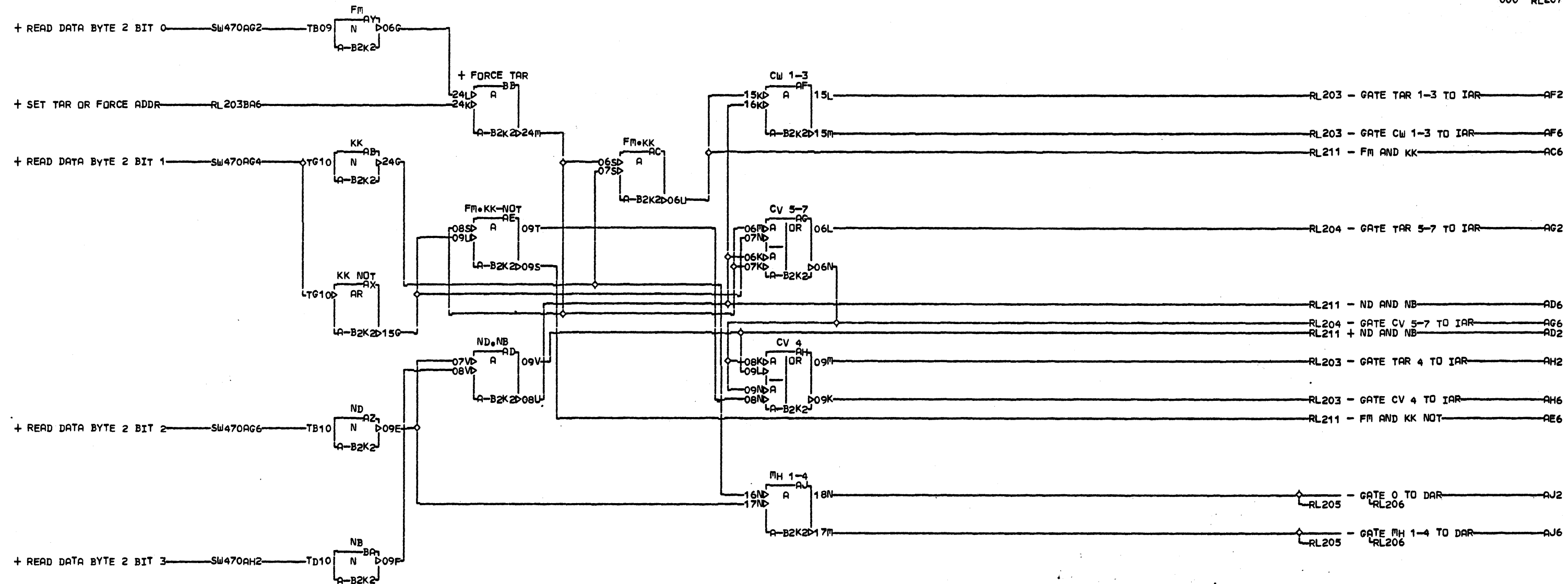
LOC. TYPE
A-B2K2 0698

IAR AND TAR REGS BITS 5-7P	
E.C. HISTORY 437301	B MACH. 3830-2
DATE LAST EC 06-15-73 437310	FRAME 01 IBM CORP. SDD P.No. 2345908



LOC. TYPE
A-B2K2 0698

DAR REG BITS 3-7	
E.C. HISTORY	B-MACH. 3830-2
437301	FRAME 01
437302	IBM CORP. SDD
DATE LAST EC	P.N. 2345910
06-15-73 437310	

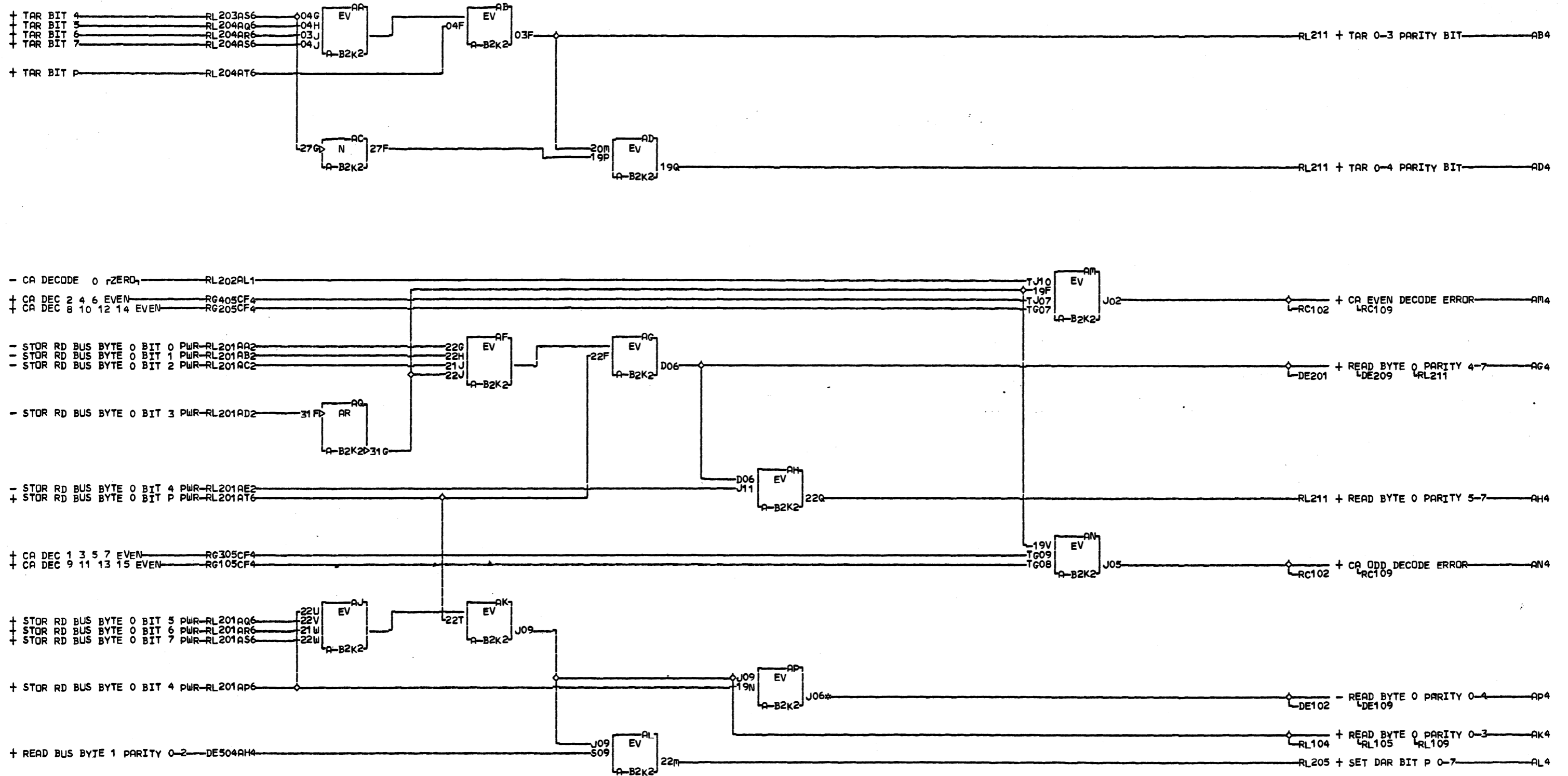


LOC. TYPE
A-B2K2 0698

INSTR FORMAT DECODE	
E.C. HISTORY	MACH. 3830-2
437301	FRAME 01
437302	IBM CORP. SDD
DATE LAST EC	P.N. 2345911
06-15-73 437310	

R
L
2
0
7

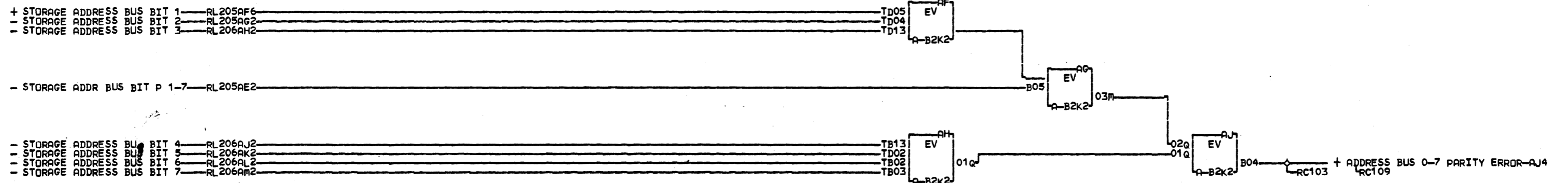
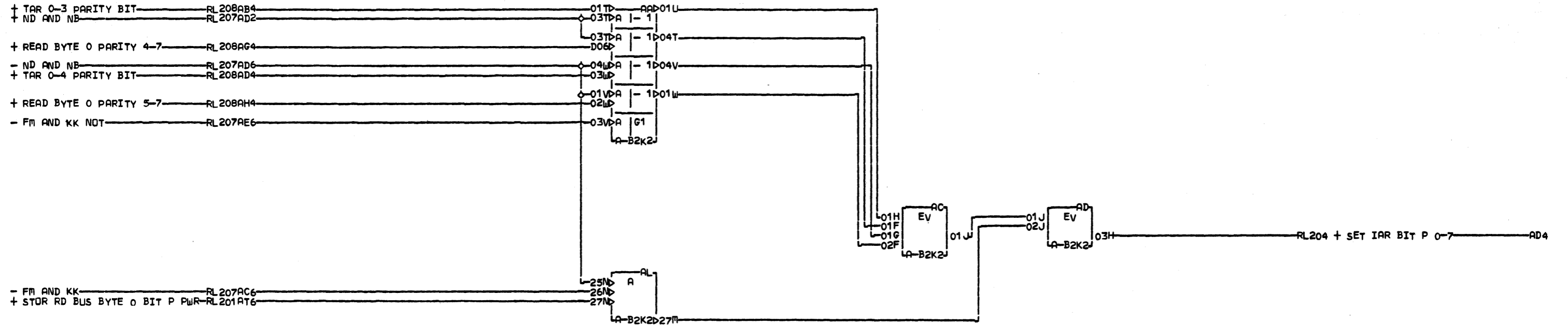
R
L
2
0
7



AP4 A-B2M1A11
A 01A-B1M6A04

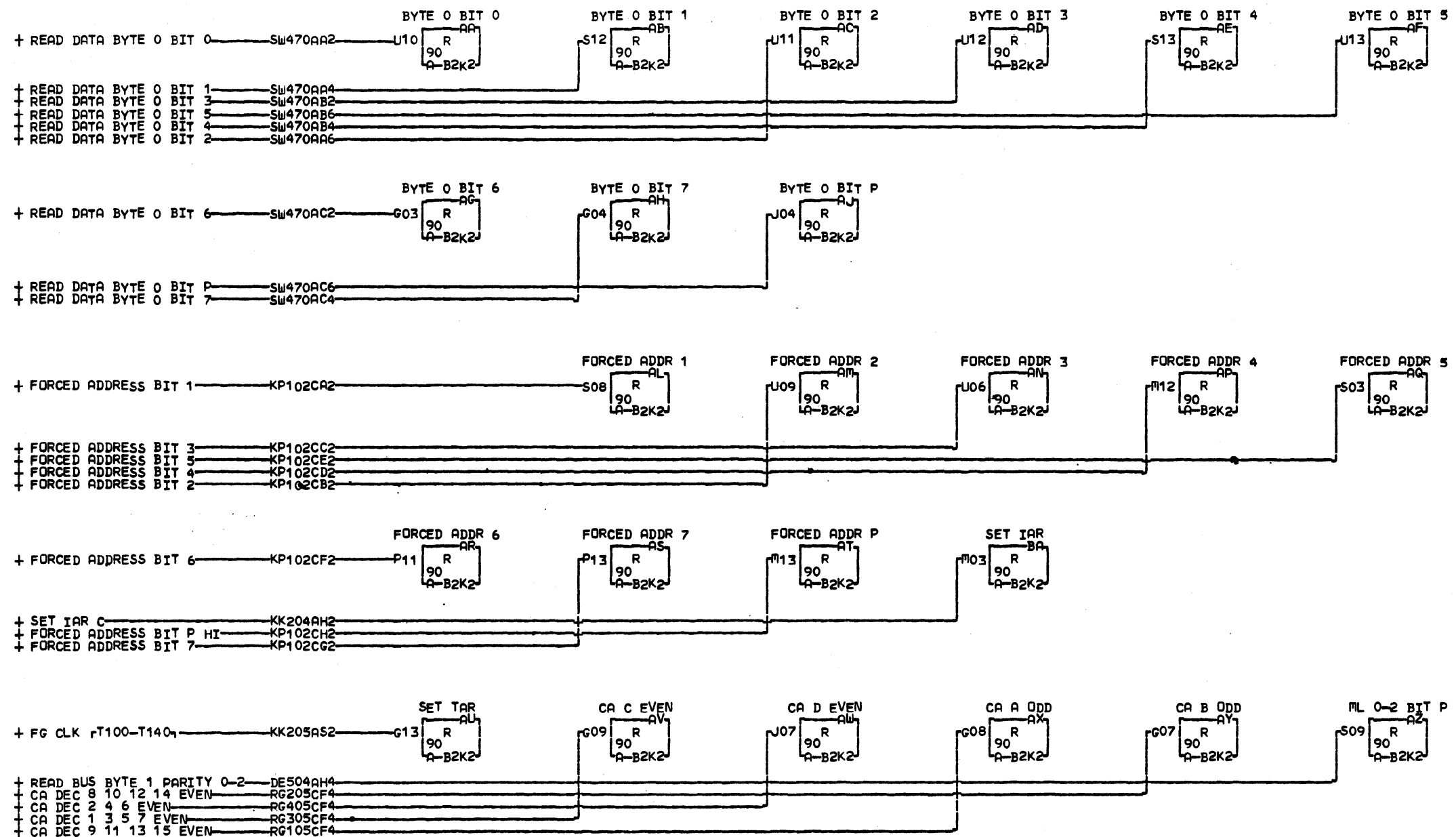
LOC. TYPE
A-B2K2 0698

CA DECODE CHKS AND STOR RD BUS BYTE 0 PARITY PREDICTORS E.C. HISTORY	MACH. 3830-2
437301	FRAME 01
DATE LAST EC	IBM CORP. SDD
06-15-73 437310	P.No. 2345912



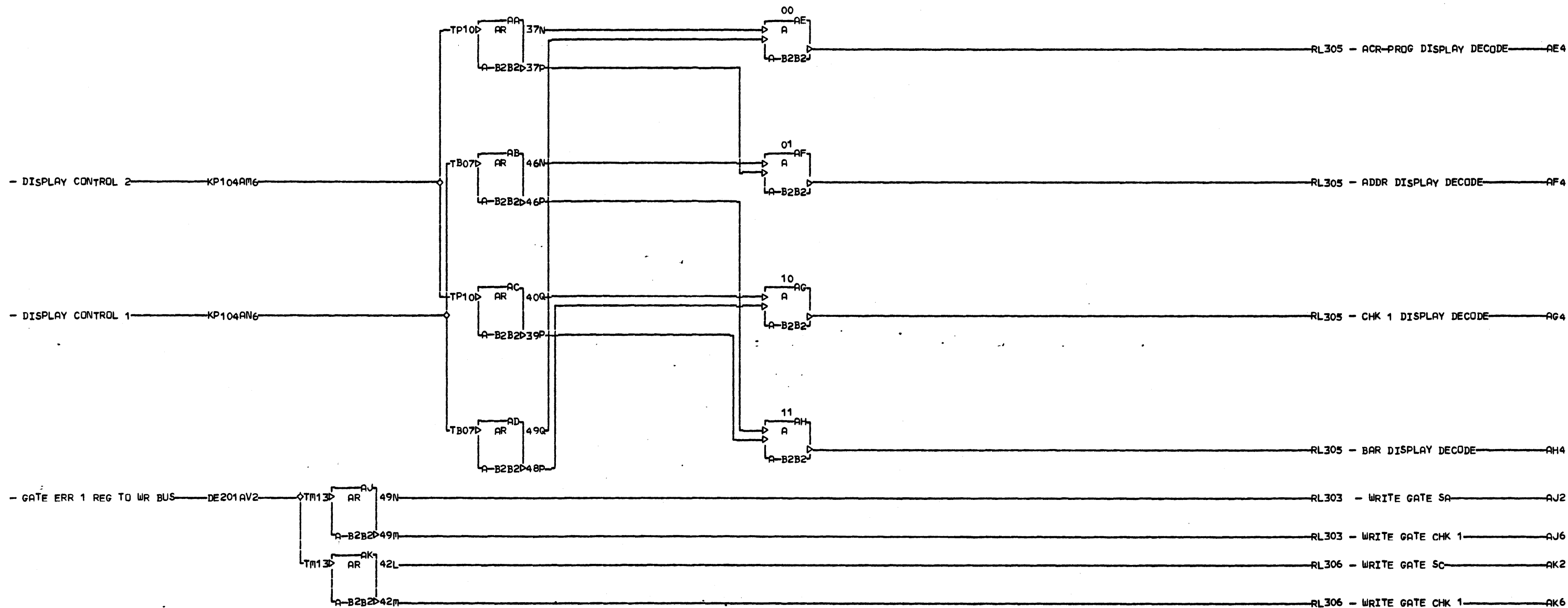
LOC. TYPE
A-B2K2 0698

IAR PAR PREDICTOR AND STOR ADDR BUS 0-7 PAR CHK	
EAC-HISTORY 437301	MACH. 3830-2
DATE 06-15-73	LAST EC 437310
FRAME 01	IBM CORP. SDD P.N. 2345913



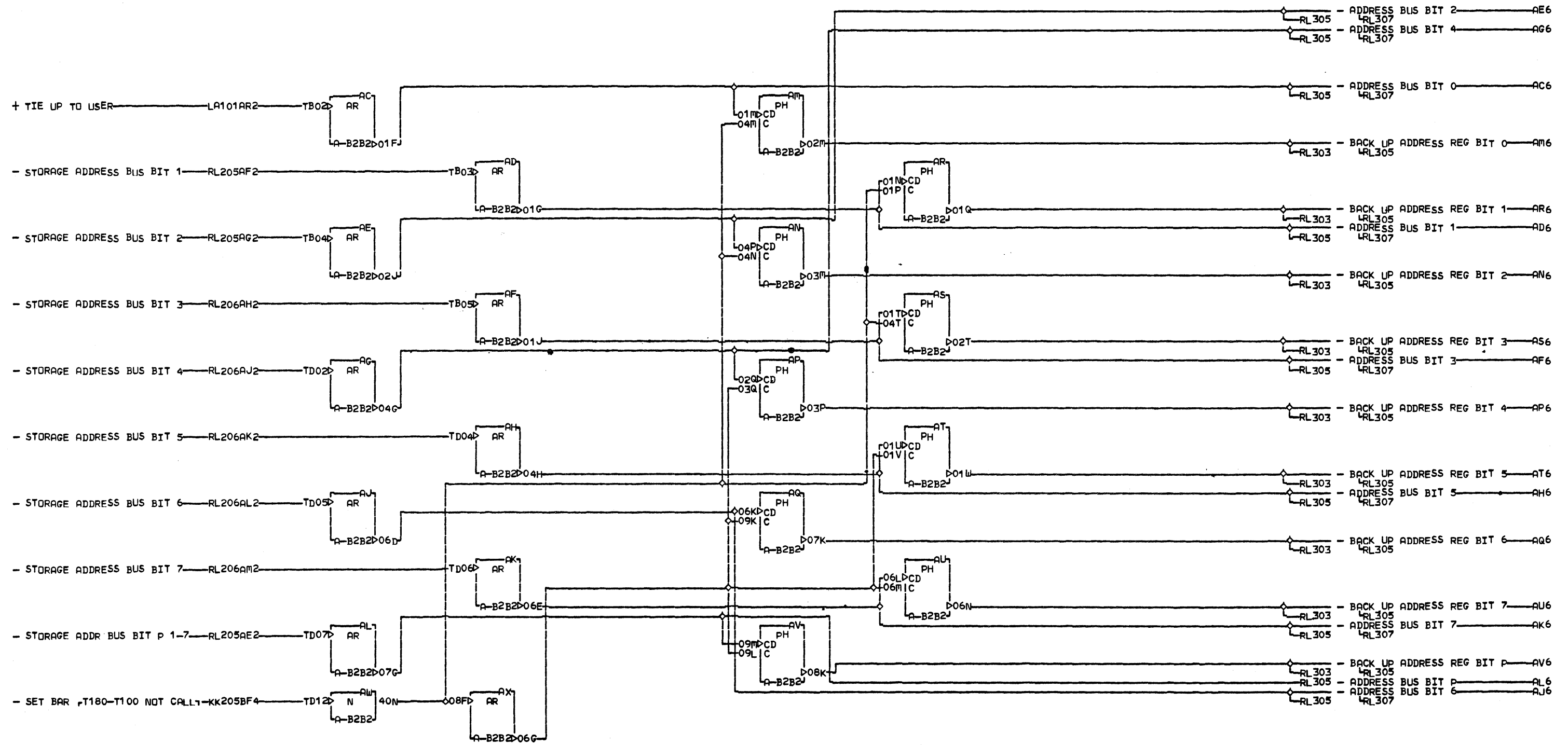
LOC. TYPE
A-B2K2 0698

TERMINATORS	
—E.C.—HISTORY—	B MACH. 3830-2
437301	FRAME 01
437302	IBM CORP. SDD
437303	P.N. 2345914
DATE	LAST EC
06-15-73	437310



LOC. TYPE
A-B2B2 0690

DISPLAY DECODES AND WRITE GATE	
E.C. HISTORY 437301	MACH. 3830-2
DATE 06-15-73	LAST EC 437310
FRAME 01	IBN CORP. SDD
P.N. 2345915	

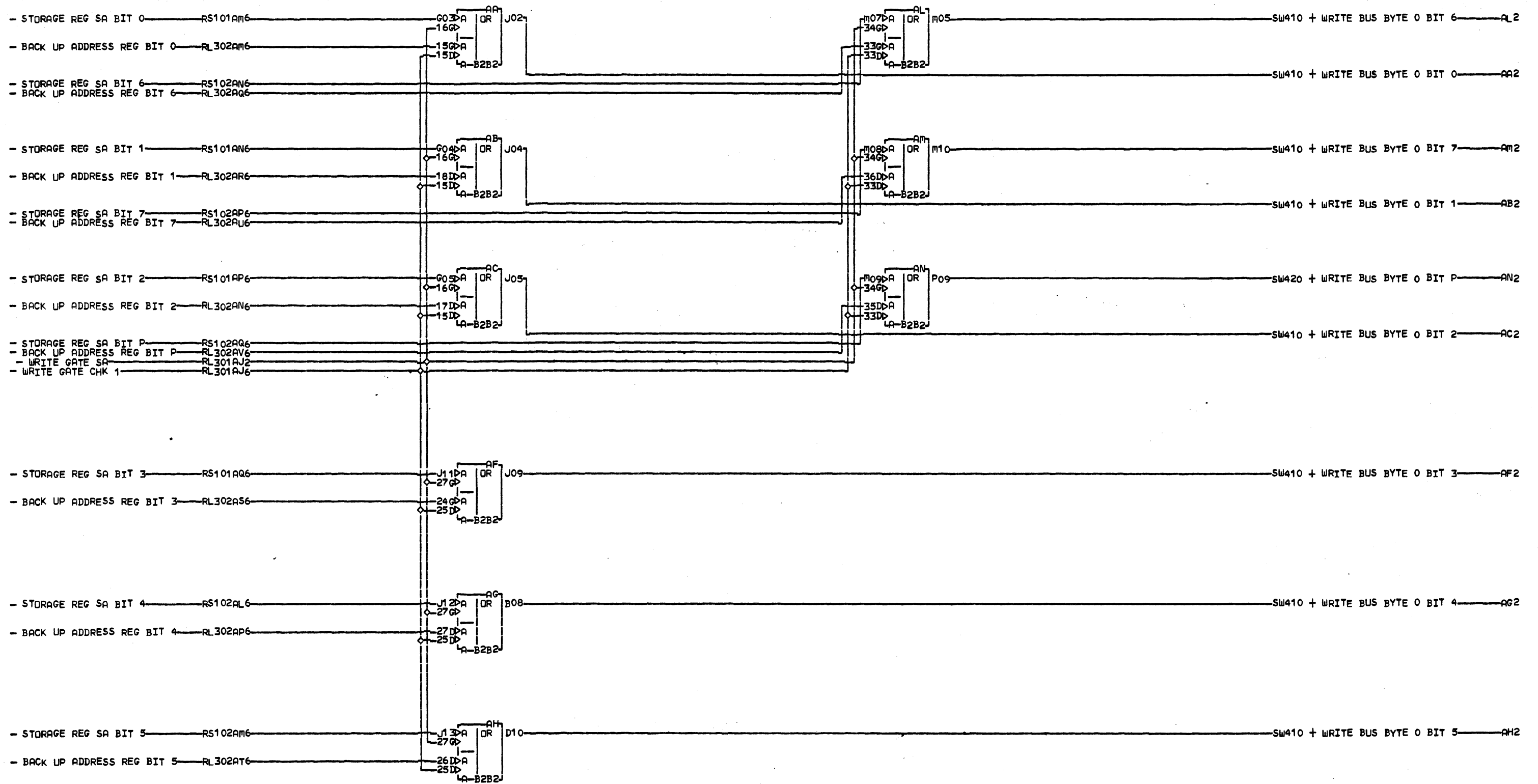


LOC. TYPE
A-B2B2 0690

BACK UP ADDRESS REGISTER	
E.C. HISTORY 437301	MACH. 3830-2 FRAME 01
DATE 06-15-73	IBN CORP. SDD P.N. 2345916
LAST EC 437310	

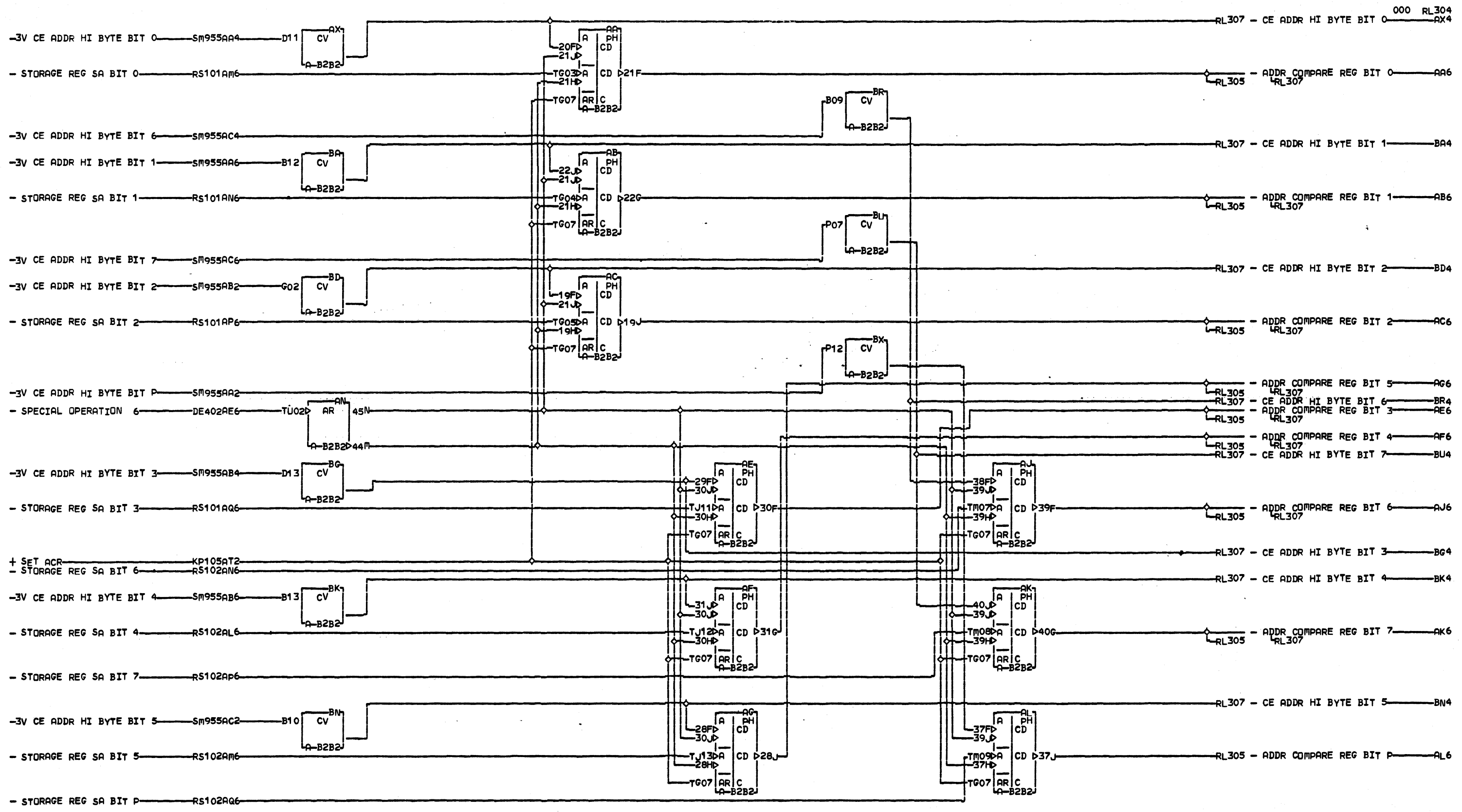
NO. 1
000

RL302
000



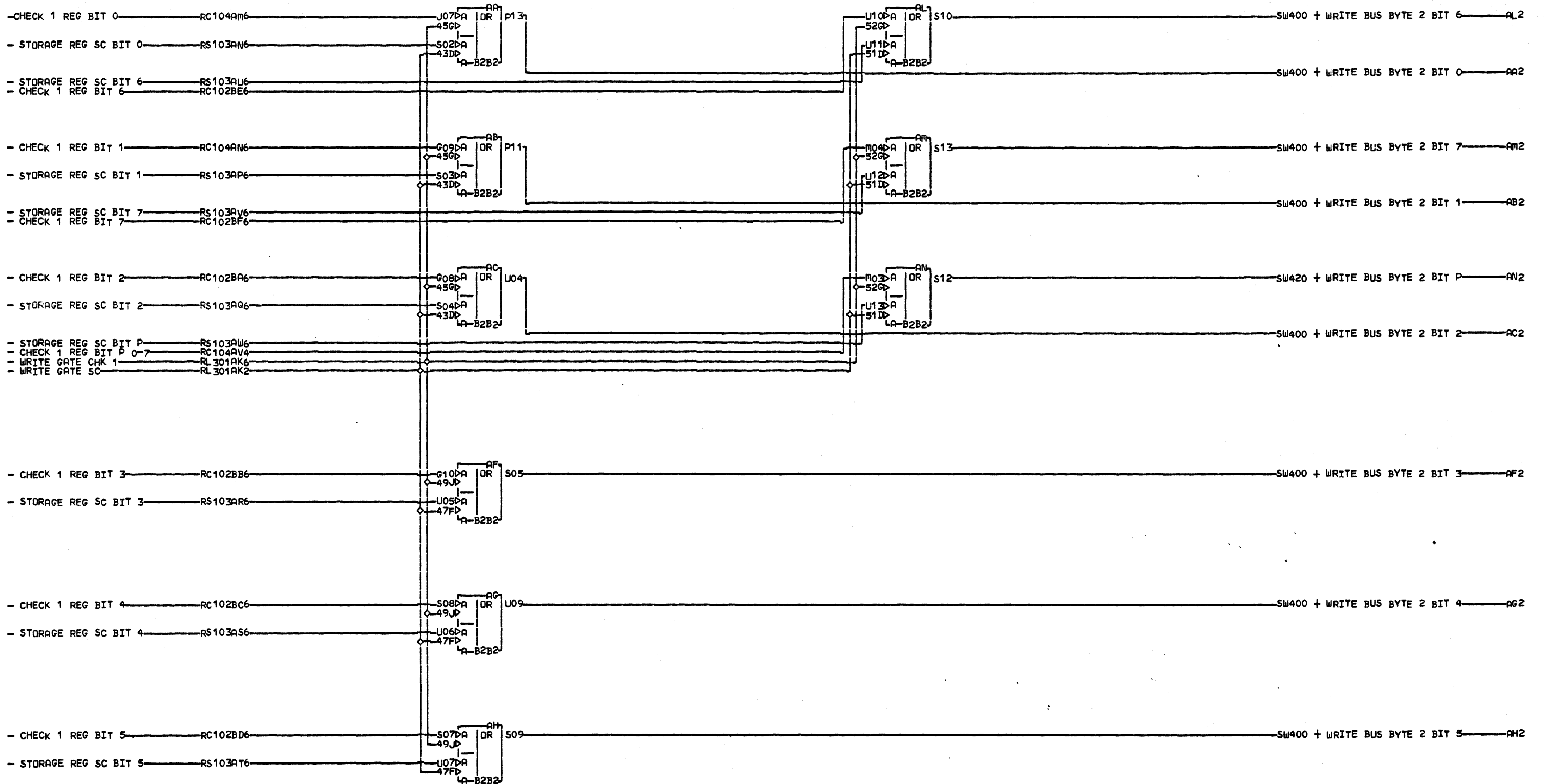
LDC. TYPE
A-B2B2 0690

STOR WRITE BUS BYTE 0	
E.C. HISTORY	B. MACH. 3830-2
437301	
437302	FRAME 01
	IBM CORP. SDD
DATE LAST EC	P.N. 2345917
06-15-73 437310	



LOC. TYPE
A-B2B2 0690

ADDRESS COMPARE REGISTER	
E.C. HISTORY 437301	MACH. 3830-2
DATE 06-15-73	FRAME 01
LAST EC 437310	IBM CORP. SDD
	P.N. 2345918

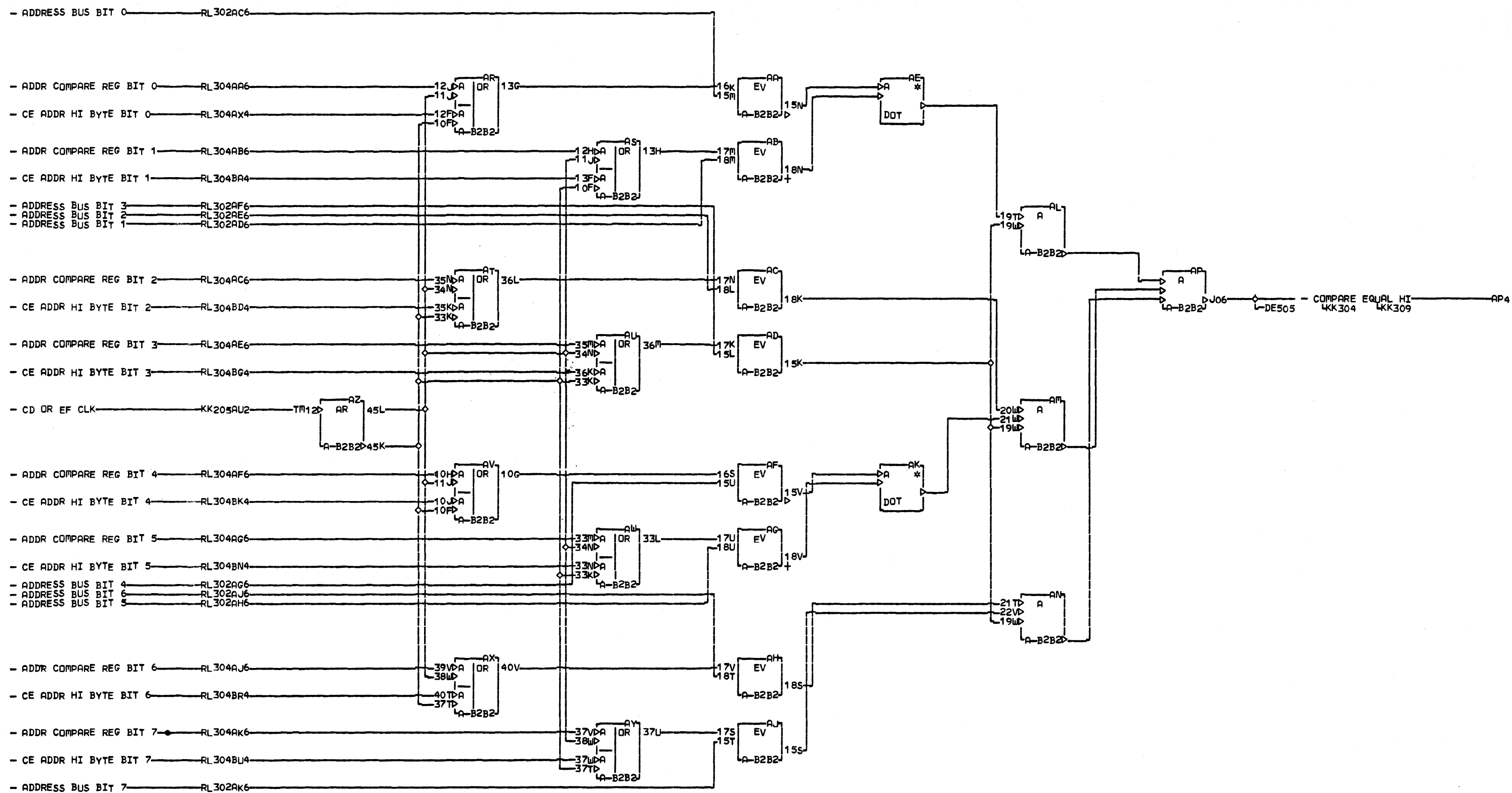


R
L
3
0
6

LOC. TYPE
A-B2B2 0690

STOR WRITE BUS BYTE 2	
E.C. HISTORY	B MACH. 3830-2
437301	FRAME 01
437302	IBM CORP. SDD
DATE	LAST EC
06-15-73	437310
P.N.	2345920

R
L
3
0
6

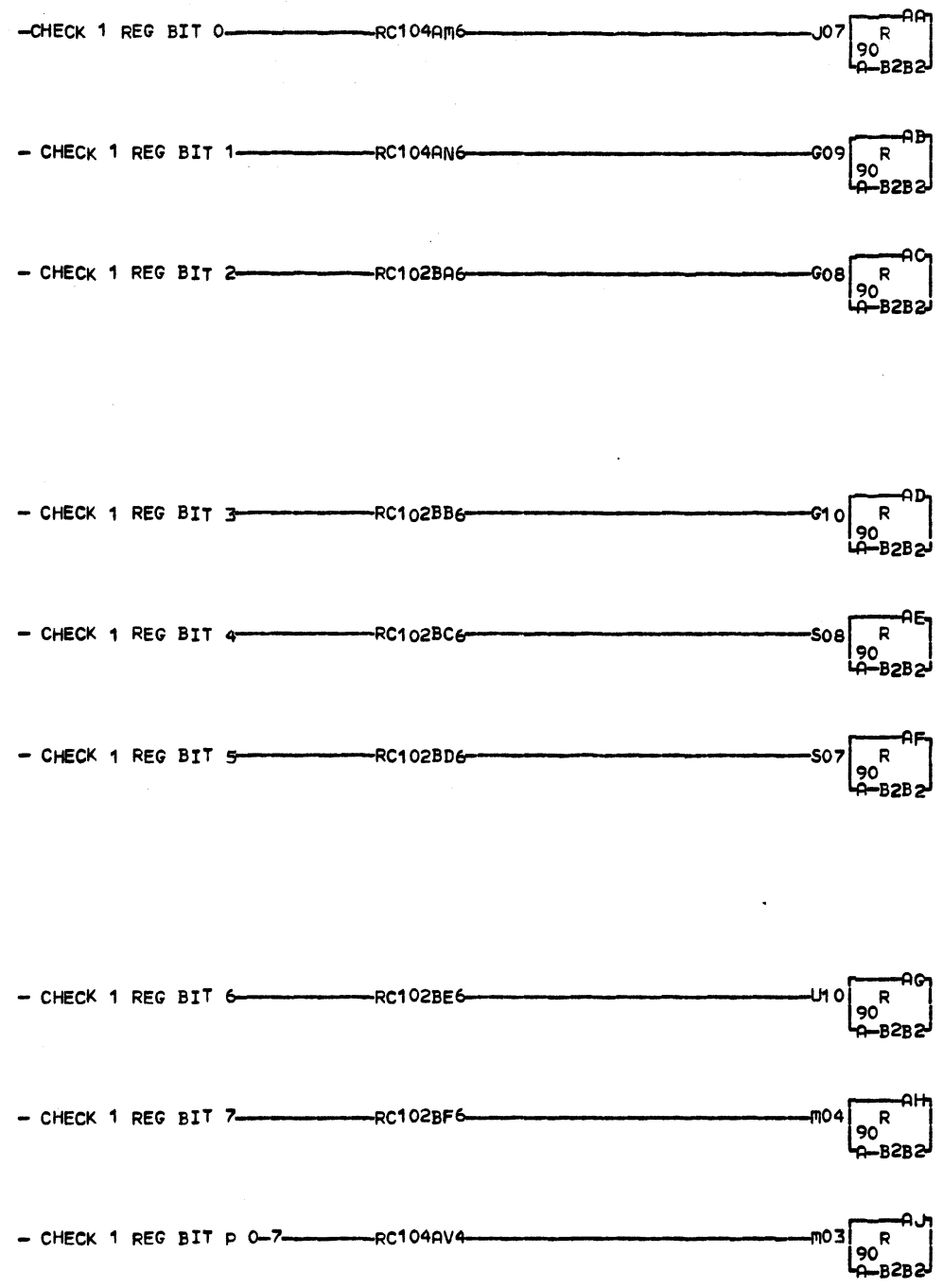


R
7
000

LOC. TYPE
A-B2B2 0690

ACR AND ADDR BIT COMP EQUAL	
E.C. HISTORY	B MACH. 3830-2
437301	
437305	FRAME 01
437307	IBM CORP. SDD
DATE	LAST EC
06-15-73	437310
P.N.	2345921

R
7
000



TERMINATORS	
E.C. HISTORY 437301	MACH. 3830-2 FRAME 01
DATE 06-15-73	LAST EC 437310
	IBN CORP. SDD P.No. 2345922