

IBM Customer Engineering Handbook

Printed in U.S.A.

223-2640-2

7040-7044 Data Processing Systems

IBM

**International Business Machines Corporation
Data Processing Division
112 East Post Road, White Plains, N.Y. 10601**

IBM®

Customer Engineering Handbook
7040-7044 Data Processing Systems

Ungrounded oscilloscopes are dangerous. Voltages that are not referenced to ground are safely measured by using the Tektronix type CA plug-in unit available for all Tektronix 500 series oscilloscopes except the Tektronix 561A oscilloscope. The add feature of the type CA plug-in unit is incorporated in the type 3A1 plug-in unit for the Tektronix 561A oscilloscope. The add feature is explained in the IBM Tektronix Oscilloscopes CE Manual of Instruction, Form 223-6725-4, available from Stationery Stores, Endwell, New York.

Pressing the master power disconnect key does not remove 24 vac from the console or power supply area. For your own personal safety, disconnect all power via the customer's wall switch before working in these areas.

Pressing the normal power off key does not remove power from the convenience outlets nor the -48 vdc from the power supply area or the console. For your own personal safety, disconnect all power via the customer's wall switch before working in these areas.

Your own personal safety cannot be overemphasized. Make it a daily practice to work safely. Be familiar with safety practices listed on IBM Form 124-0082. Is your installation a safe place to work?

Are you working alone?

Are you wearing your safety glasses?

Did you turn off the power to replace that fuse?

Did you turn off the power to replace that SMS card?

Did you discharge the capacitors when you worked on that dc power supply?

Did you replace all of the safety covers?

MINOR REVISION (May 1964)

This edition, Form 223-2640-2, is a minor revision and does not obsolete any of the previous printings. This book reflects the latest information generated to assist Customer Engineers in maintaining the 7040 and 7044 Data Processing Systems. Many of the additions result from requests made by Customer Engineers on the postpaid comment card supplied in the back of each book.

Copies of this and other IBM publications can be obtained through IBM Branch Offices.

Address comments concerning the content of this publication to: IBM Corporation, CE Manuals, Dept. B95, PO Box 390, Poughkeepsie, New York 12602.

© 1963 by International Business Machines Corporation

7040-7044 CUSTOMER ENGINEERING MANUALS	5
PROGRAMMING INFORMATION	6
Word Formats	6
Data Words	6
Program Register	7
Instruction Words	8
IORD Words	9
Code Charts	10
Instructions	12
Basic Instruction Set-Alphabetic	12
Input-Output Device Address	13
Extended Performance Instructions	13
7904 Data Channel Diagnostic Instructions	14
Single Precision Floating Point Instructions	14
Double Precision Floating Point Instructions	14
Storage Protection Instructions	14
Direct Data Connection Instructions	14
1401 Option Instructions	14
Instruction Listing-Numeric (All Options)	15
Logic Flow	17
Sense Operation Status Bits	18
TRAPPING	20
Masking for Direct Data and Channel Traps	20
Trap Control Set and Reset	20
Summary of Trapping	21
Interval Timer Blast	21
Memory Protect Violation	21
Parity	22
Pre-Interrupt Memory Protect	24
Interval Timer Overflow	24
Direct Data	25
Channel	26
LOGIC PAGE LOCATIONS	30
Light Locations	30
7040/44 CPU	30
MFI Codes	30
Keys and Switches	30
Registers	31
Triggers and Major Lines	31
7106 Core Storage Unit	34
MFI Codes	34
Drivers, Registers, and Major Lines	34
7107 Core Storage Unit	34
Drivers, Registers and Major Lines	34
Channel A	34
MFI Codes	34
Triggers and Major Lines	35
7904 Channel B, C, D, and E	37
MFI Codes	37
Registers	37
Triggers and Major Lines	37
CORE STORAGE	39
Memory Protect	39
7106 Core Storage	39
7106 MAR Bit Arrangement	39
Card Locations	40
Block Diagram	42
Physical Layout	43
7107 Core Storage	46
Block Diagram	46
7107 MAR Bit Arrangement	47
Sense Amplifier Card Locations	47
First Level MAD Decoding	48
Second Level MAD	48
Second Level MAD Decoding - Read	49

Physical Layout	50
POWER SUPPLY	51
Test Points and Tolerances	51
INPUT-OUTPUT	52
Channel A Indicators	52
Interface 0 Control and Signal Lines	54
Interface 3 Control and Signal Lines	56
731 Input-Output Device	58
731 Type Arrangement A - Report Writing	58
731 Type Arrangement H - Program Language	58
731 Select Latch Chart	59
Channel B Indicators	60
7904 Overlap Channel to 1414 I-II TAU	62
1414 I-II TAU to 7904 Overlap Channel	63
1414 I-II-VII Trigger Locations - Tape	64
1414 III-IV-VIII Trigger Locations - Card	64
1414 Card-Machine Data Flow	66
1402 Read-Punch	68
1402 IBM Card and MQ Register Placement	68
1402 Column Binary Card and MQ Register Placement	69
1402 Read-Punch Pockets	70
1402 CB and Card Row Relationship	70
COMPONENT CIRCUITS	71
Module Layout	71
Component Circuits Reference Card	72
Line Determination	74
Key Trigger	77
SMS Cards	77
DIAGNOSTIC PROGRAMS	78
Hard Core Tests	78
7040-7044 Programs	80
7040-7044 Input-Output Programs	80
LOAD and GO	81

7040-7044 CUSTOMER ENGINEERING MANUALS
March 11, 1964

All of these manuals are stocked in Endwell Stationery Stores.

CEIM or CEIR are combination Instruction-Maintenance Manuals.
CEMI is a CE Manual of Instruction.
CEMM or CERM are CE Maintenance Manuals.
ISD are Instructional Systems Diagrams.

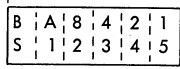
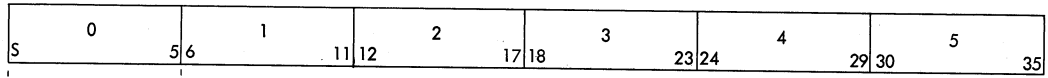
FORM	MACHINE	NAME
223-2640	7040-7044	HANDBOOK
R23-2659	7040-7044	CPU LOGIC DIAGRAMS CERM
R23-2651	7040-7044	CENTRAL PROCESSING UNIT CEMI
223-2753	7040-7044	TRAPPING CEMM
223-2644	7040-7044	CHANNEL A CEMI
223-2652	7040-7044	CHANNEL B-E CEMM
223-2712	7040-7044	CHANNEL B-E CEMI
223-2755	7040-7044	POWER SUPPLIES CEIR
R23-2680	7040-7044	CORE STORAGE CERM
223-2593	7106	CORE STORAGE CEMI
R23-2645	7107	CORE STORAGE CEMI
R23-2573	7107	CORE STORAGE CEMI
* 223-2618	0000	DDTL COMPONENT CIRCUITS CEMI
* 225-6478	0000	SMS POWER SUPPLY CEMI
* 223-6783	0000	TRANSISTOR THEORY AND APP CEMI
* 223-6889	0000	TRANSISTOR COMPONENT CIRCUITS CEMI
* 223-6900	0000	STANDARD MODULAR SYSTEM CEIR
* 223-2509	0729	TAPE UNIT NOR-RELAY ISD
* 223-6868	0729	TAPE UNIT M2, 3, AND 4 CERM
* 223-6988	0729	NOR TAPE CEIR
* 225-1726	0731	INPUT-OUTPUT PRINTER CERM
* 225-6595	0731	INPUT-OUTPUT PRINTER CEMI
* 223-6954	0000-1009	SYNCHRONOUS TRANS-REC M1 AND 2 CEMI
* 225-6561	1009	DATA TRANSMISSION UNIT CERM
* 225-6560	1009	DATA TRANSMISSION UNIT CEMI
* 227-5545	1011	PAPER TAPE READER CERM
* 227-5546	1011	PAPER TAPE READER CEMI
* 225-6583	1014	REMOTE INQUIRY UNIT CEIR
* 227-5582	1301	DISK STORAGE CEMI
* 227-5582	1301	DISK STORAGE CERM
* 225-6487	1401	DATA PROCESSING SYSTEM CERM
* 225-6540	1401	DATA PROCESSING SYSTEM CEMI
* 225-6541	1401	DPS OPTIONAL FEATURES CEMI
* 225-0002	1402	CARD READ-PUNCH CEIR
* 225-6492	1403	PRINTER CEMI
* 225-6493	1403	PRINTER CERM
* 223-2554	1414M1	I-O SYNC M1, 2, AND 7 CEIR
* 223-2590	1414M3	I-O SYNC M3, 4, 6, AND 8 CEIR
* 223-2609	1414M1	I-O SYNC M1, 2, AND 7 ISD
* 223-2630	1414M3	I-O SYNC M3, 4, 6, AND 8 ISD
* 227-5612	1622	CARD READER-PUNCH ISD
* 227-5806	1622	CARD READER-PUNCH CEMI
* 227-5715	1622	CARD READER-PUNCH CERM
* 223-6930	7330	MAGNETIC TAPE UNIT ISD
* 223-6943	7330	MAGNETIC TAPE UNIT CEMI
* 223-6967	7330	MAGNETIC TAPE UNIT CERM
* 222-2766	7631	FILE CONTROL CEIR
* 223-2533	7750	INTRODUCTION TO THE PTC CEMI
* 223-2540	7750	PROCESS STOR AND CTRL STOR CEMI
* 223-2544	7750	ADAPTER AND CHANNEL WORD CEMI
* 223-2570	7750	PROCESS CONTROL CEMI
* 223-2579	7750	POWER SUPPLY AND DISTRIBUTION CEMI
* 223-2633	7750	PROCESS CONTROL CERM
* 223-2653	7750	COMMUNICATIONS INPUT-OUTPUT CERM
* 223-2654	7750	POWER SUPPLY AND STORAGE CERM

* THESE MANUALS ARE NOT PREPARED EXCLUSIVELY FOR THE
7040-7044 SYSTEMS.

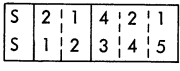
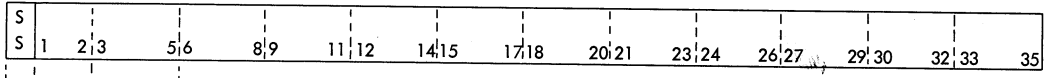
R FORM NUMBERS ARE PRELIMINARY EDITIONS.

Z FORM NUMBERS ARE IBM CONFIDENTIAL.

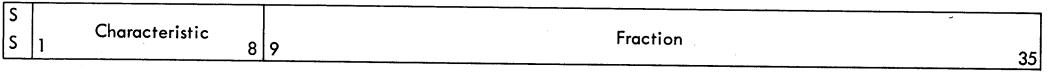
A 7040-7044 CUSTOMER REFERENCE MANUAL BIBLIOGRAPHY,
FORM A28-6288, IS AVAILABLE FROM STATIONERY STORES,
ENDWELL, NEW YORK.



Alphameric Word

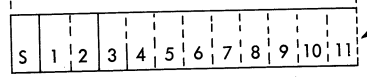
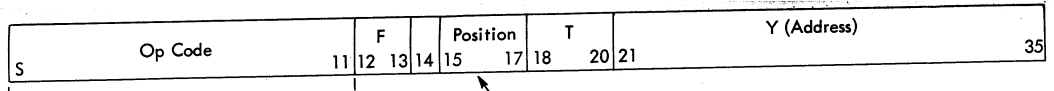


Numeric Word (Octal)

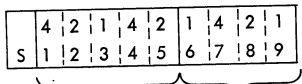


Floating Point Word

7040/7044 Data Word Format



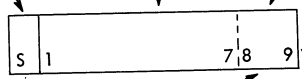
Storage Register



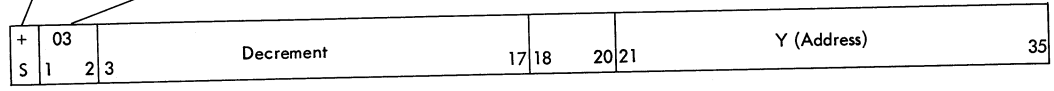
Program Register

Secondary Op Decoder (SOD) - Only used if POD equals 76

Primary Op Decoder (POD) - Position 6 is assumed to be 0 when POD is decoded. Causes 32 primary command lines.

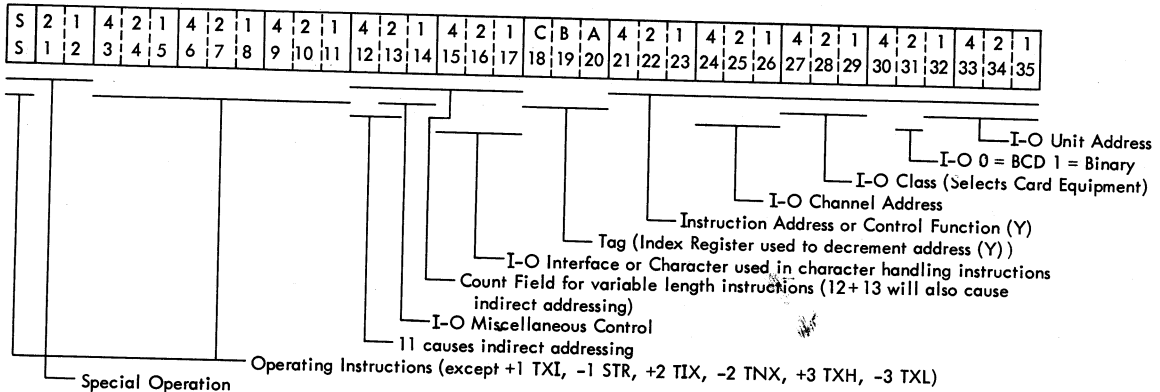


Program Register



Storage Register

Program Register



Special Operation

+1 TXI

-1 STR (positions 3 through 11 are zero) A -1 on a normal 7040/44 instruction is ignored. A -1 on a 7090/94 computer causes an unconditional STR and positions 3 through 11 are ignored.

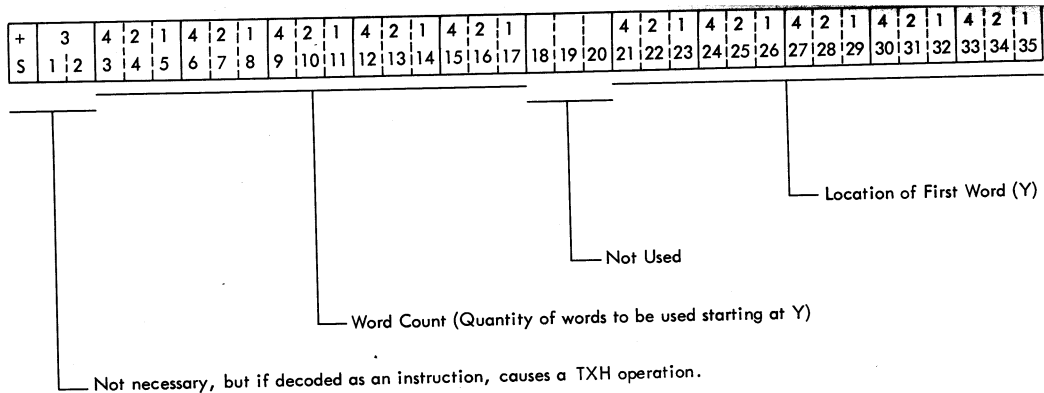
+2 TIX

-2 TNX

+3 TXH

-3 TXL

7040/44 Instruction Format



IORD Word Format

CHARACTER CODING AND TRANSLATION

CORE STORAGE BYTE	TAPE	OTHER		TYPEWRITER		TYPEWRITER	
		BCD	BCD	REPORT WRITING GRAPHICS		PROGRAMMING LANGUAGES GRAPHICS	
				BCD	BINARY	BCD	BINARY
000 000	0 000 000	0 000 000	Blank	Blank	Blank	Blank	Blank
000 001	1 000 001	0 000 001	1	1	1	1	1
000 010	1 000 010	0 000 010	2	2	2	2	2
000 011	0 000 011	1 000 011	3	3	3	3	3
000 100	1 000 100	0 000 100	4	4	4	4	4
000 101	0 000 101	1 000 101	5	5	5	5	5
000 110	0 000 110	1 000 110	6	6	6	6	6
000 111	1 000 111	0 000 111	7	7	7	7	7
001 000	1 001 000	0 001 000	8	8	8	8	8
001 001	0 001 001	1 001 001	9	9	9	9	9
001 010	0 001 010*	0 010 000	0	0	0	0	0
001 011	1 001 011	0 001 011	#	#	#	#	#
001 100	0 001 100	1 001 100	@	@	@	@	@
001 101	1 001 101	0 001 101	:	:	:	:	:
001 110	1 001 110	0 001 110	>	>	>	>	>
001 111	0 001 111	1 001 111	> TM	>	>	>	>
010 000	0 110 000	1 110 000	G	/	+	+	+
010 001	1 110 001	0 110 001	A	/	A	/	/
010 010	1 110 010	0 110 010	B	S	B	S	S
010 011	0 110 011	1 110 011	C	T	C	T	T
010 100	1 110 100	0 110 100	D	U	D	U	U
010 101	0 110 101	1 110 101	V	E	V	E	E
010 110	0 110 110	1 110 110	F	W	F	W	W
010 111	1 110 111	0 110 111	G	X	G	X	X
011 000	1 111 000	0 111 000	H	Y	H	Y	Y
011 001	0 111 001	1 111 001	?	z	?	z	z
011 010	0 111 010	1 111 010	!	z	!	z	z
011 011	1 111 011	0 111 011	,	,	,	,	,
011 100	0 111 100	1 111 100	□	%)))
011 101	1 111 101	0 111 101	<	<	[[[
011 110	1 111 110	0 111 110	<	<	[[[
011 111	0 111 111	1 111 111	‡ GM	‡	‡	‡	‡
100 000	1 100 000	0 100 000	-	-	-	-	-
100 001	0 100 001	1 100 001	J	J	J	J	J
100 010	0 100 010	1 100 010	K	K	K	K	K
100 011	1 100 011	0 100 011	L	L	L	L	L
100 100	0 100 100	1 100 100	M	M	M	M	M
100 101	1 100 101	0 100 101	N	N	N	N	N
100 110	0 100 110	1 100 110	O	O	O	O	O
100 111	1 100 111	0 100 111	P	P	P	P	P
101 000	0 101 000	1 101 000	Q	Q	Q	Q	Q
101 001	1 101 001	0 101 001	R	R	R	R	R
101 010	1 101 010	0 101 010	!	!	!	!	!
101 011	0 101 011	1 101 011	\$	\$	\$	\$	\$
101 100	1 101 100	0 101 100	•	•	•	•	•
101 101	0 101 101	1 101 101	◊	◊	◊	◊	◊
101 110	0 101 110	1 101 110	:	:	:	:	:
101 111	1 101 111	0 101 111	Δ	Δ	Δ	Δ	Δ
110 000	1 010 000	1 000 000	Blank	&	Blank	+ A	+ A
110 001	0 010 001	1 010 001	/	A	/	+ A	+ A
110 010	0 010 010	1 010 010	S	B	/	+ A	+ A
110 011	1 010 011	0 010 011	T	C	T	+ A	+ A
110 100	0 010 100	1 010 100	U	D	U	D	D
110 101	1 010 101	0 010 101	V	E	V	D	D
110 110	1 010 110	0 010 110	W	F	W	D	D
110 111	0 010 111	1 010 111	X	G	X	G	G
111 000	0 011 000	1 011 000	Y	H	Y	H	H
111 001	1 011 001	0 011 001	Z	I	Z	H	H
111 010	1 011 010	0 011 010	‡ RM	?	‡	?	?
111 011	0 011 011	1 011 011	,	,	,	,	,
111 100	1 011 100	0 011 100	%	□	())
111 101	0 011 101	1 011 101	<	<	[[[
111 110	0 011 110	1 011 110	<	<	[[[
111 111	1 011 111	0 011 111	‡	‡	‡	‡	‡

* CORE STORAGE = 000 000 ON READ

PRINTER		PRINTER		READ - PUNCH	
"A" CHAIN		"H" CHAIN		IBM CARD CODE	
BCD	BINARY	BCD	BINARY	BCD	
0	Blank	0	Blank	0	1
1	1	1	1	1	1
2	2	2	2	2	2
3	3	3	3	3	3
4	4	4	4	4	4
5	5	5	5	5	5
6	6	6	6	6	6
7	7	7	7	7	7
8	8	8	8	8	8
9	9	9	9	9	9
+	+	+	+	+	8-2
#	#	#	#	#	8-3
Blank	Blank	Blank	Blank	Blank	8-4
Blank	Blank	Blank	Blank	Blank	8-5
Blank	Blank	Blank	Blank	Blank	8-6
Blank	Blank	Blank	Blank	Blank	8-7
&	+	+	+	+	12-1
A	/	A	/	/	12-2
B	S	B	S	S	12-3
C	T	C	T	T	12-3
D	U	D	U	U	12-4
E	V	E	V	V	12-5
F	W	F	W	W	12-6
G	X	G	X	X	12-7
H	Y	H	Y	Y	12-8
I	z	I	z	z	12-9
&	z	+	+	+	12-0
.	12-8-3
Blank	Blank	Blank	Blank	Blank	12-8-4
Blank	Blank	Blank	Blank	Blank	12-8-5
Blank	Blank	Blank	Blank	Blank	12-8-6
Blank	Blank	Blank	Blank	Blank	12-8-7
J	J	J	J	J	11-1
K	K	K	K	K	11-2
L	L	L	L	L	11-3
M	M	M	M	M	11-4
N	N	N	N	N	11-5
O	O	O	O	O	11-6
P	P	P	P	P	11-7
Q	Q	Q	Q	Q	11-8
R	R	R	R	R	11-9
.	11-0
\$	\$	\$	\$	\$	11-8-3
*	*	*	*	*	11-8-4
Blank	Blank	Blank	Blank	Blank	11-8-5
Blank	Blank	Blank	Blank	Blank	11-8-6
Blank	Blank	Blank	Blank	Blank	11-8-7
Blank	Blank	Blank	Blank	Blank	11-8-7
/	A	/	+	Blank	0-1
S	B	S	B	Blank	0-2
T	C	T	C	Blank	0-3
U	D	U	D	Blank	0-4
V	E	V	E	Blank	0-5
W	F	W	F	Blank	0-6
X	G	X	G	Blank	0-7
Y	H	Y	H	Blank	0-8
Z	I	Z	I	Blank	0-9
z	&	z	+	Blank	0-8-2
.	.	.	.	Blank	0-8-3
Blank	Blank	Blank	Blank	Blank	0-8-4
Blank	Blank	Blank	Blank	Blank	0-8-5
Blank	Blank	Blank	Blank	Blank	0-8-6
Blank	Blank	Blank	Blank	Blank	0-8-7

"9"=709, 7040, 7044, 7090, 7094.
Storage Code
"5"=705, 7080 and BCD Magnetic Tape Code
"14"=1401, 1410, 1414 Storage and Buffer Code
"H"=Standard 64 Character IBM Card Code

"A" ARRANGEMENT "H" ARRANGEMENT "H" CODE

INSTRUCTIONS

BASIC INSTRUCTION SET - ALPHABETIC

SYM	NUMERIC	NAME	F	T
ACL	0361	ADD AND CARRY LOGICAL WORD	x	x
ADD	0400	ADD	x	x
ALS	0767	ACCUMULATOR LEFT SHIFT	x	x
ANA	-0320	AND TO ACCUMULATOR	x	x
ARS	0771	ACCUMULATOR RIGHT SHIFT	x	x
BSR	0768	BACKSPACE RECORD	x	x
CAL	-0500	CLEAR AND ADD LOGICAL WORD	x	x
CAP	-1510	CLEAR AND ADD LOGICAL WORD WITH PARITY	x	x
CAS	0340	COMPARE ACCUMULATOR WITH STORAGE	x	x
CHS	0760.00002	CHANGE SIGN	x	x
CLA	0500	CLEAR AND ADD	x	x
CLS	0502	CLEAR AND SUBTRACT	x	x
COM	0760.00006	COMPLEMENT CHANNEL	x	x
CTR	-1766.6BIT14	CONTROL SELECT (WRITE)	x	x
DCT	0760.00012	DIVIDE CHECK TEST	x	x
DNP	0221	DIVIDE OR PROCEED	x	x
ENB	0564	ENABLE FROM Y	x	x
ENK	0760.00004	ENTER KEYS	x	x
ETTA	-0760.01000	END OF TAPE TEST CHANNEL A	x	x
ETTB	-0760.02000	END OF TAPE TEST CHANNEL B	x	x
ETTC	-0760.03000	END OF TAPE TEST CHANNEL C	x	x
ETTD	-0760.04000	END OF TAPE TEST CHANNEL D	x	x
ETTE	-0760.05000	END OF TAPE TEST CHANNEL E	x	x
HPR	0420	HALT AND PROCEED	x	x
ICT	-1760.00014	INHIBIT CHANNEL TRAPS	x	x
IOT	0760.00005	INPUT/OUTPUT CHECK TEST	x	x
LAS	-0340	LOGICAL COMPARE ACCUMULATOR WITH STOR	x	x
LBT	0760.00001	LOAD ORDER BIT TEST	x	x
LDD	0560	LOAD MO	x	x
LGJ	-0763	LOGICAL LEFT SHIFT	x	x
LGR	-0765	LOGICAL RIGHT SHIFT	x	x
LLS	0763	LONG LEFT SHIFT	x	x
LRS	0765	LONG RIGHT SHIFT	x	x
MPY	0200	MULTIPLY OR TO ACCUMULATOR	x	x
OR	-0501	OR TO ACCUMULATOR	x	x
PBT	-0760.00001	P BIT TEST	x	x
PRD	-1762	PREPARE TO READ	x	x
PWR	-1766	PREPARE TO WRITE	x	x
RCHA	0540	RESET AND LOAD CHANNEL A	x	x
RCHB	-0540	RESET AND LOAD CHANNEL B	x	x
RCHC	0541	RESET AND LOAD CHANNEL C	x	x
RCHD	-0541	RESET AND LOAD CHANNEL D	x	x
RCHE	0542	RESET AND LOAD CHANNEL E	x	x
RCT	0760.00014	RESTORE CHANNEL TRAPS	x	x
RDCA	0760.01352	RESET DATA CHANNEL A	x	x
RDCB	0760.02352	RESET DATA CHANNEL B	x	x
RDCD	0760.03352	RESET DATA CHANNEL C	x	x
RDDC	0760.04352	RESET DATA CHANNEL D	x	x
RDDC	0760.05352	RESET DATA CHANNEL E	x	x
RDS	0762	READ SELECT	x	x
REW	0772	REWIND	x	x
RW	-0773	ROTATE MO LEFT	x	x
RUN	-0772	REWIND AND UNLOAD	x	x
SCHA	0640	STORE CHANNEL A	x	x
SCHB	-0640	STORE CHANNEL B	x	x
SCHC	0641	STORE CHANNEL C	x	x
SCHD	-0641	STORE CHANNEL D	x	x
SCH E	0642	STORE CHANNEL E	x	x
SLD	-1762.6BIT14	SENSE SELECT (READ)	x	x
SLW	0502	STORE LOGICAL WORD	x	x
SSP	062	STORE SIGN PLUS	x	x
STA	0622	STORE ADDRESS	x	x
STD	0522	STORE DECREMENT	x	x
STL	-0625	STORE INSTRUCTION LOCATION COUNTER	x	x
STO	0601	STORE	x	x
STR	-1000	STORE LOCATION AND TRAP	x	x
STZ	0600	STORE ZERO	x	x
SUB	0402	SUBTRACT	x	x
SWT	0760.0016N	SWITCH TEST	x	x
TCAA	0060	TRANSFER ON CHANNEL A IN OPERATION	x	x
TCCB	0061	TRANSFER ON CHANNEL B IN OPERATION	x	x
TCCD	0062	TRANSFER ON CHANNEL C IN OPERATION	x	x
TCCD	0063	TRANSFER ON CHANNEL D IN OPERATION	x	x
TCEE	0064	TRANSFER ON CHANNEL E IN OPERATION	x	x
TCEA	-1060	TRANSFER ON CHANNEL A DEVICE IN OP	x	x
TEFA	0030	TRANSFER ON END OF FILE CHANNEL A	x	x
TEFB	-0030	TRANSFER ON END OF FILE CHANNEL B	x	x
TEFC	0031	TRANSFER ON END OF FILE CHANNEL C	x	x
TEFD	-0031	TRANSFER ON END OF FILE CHANNEL D	x	x
TEFE	0032	TRANSFER ON END OF FILE CHANNEL E	x	x
TMI	-0120	TRANSFER ON MINUS	x	x
THZ	-0100	TRANSFER ON NO ZERO	x	x
TOV	0140	TRANSFER ON OVERFLOW	x	x
TPL	0120	TRANSFER ON PLUS	x	x
TRA	0022	TRANSFER	x	x
TRCA	-0022	TRANSFER ON REDUNDANCY CHECK CHANNEL A	x	x
TRCB	-0022	TRANSFER ON REDUNDANCY CHECK CHANNEL B	x	x
TRCC	0024	TRANSFER ON REDUNDANCY CHECK CHANNEL C	x	x
TRCD	-0024	TRANSFER ON REDUNDANCY CHECK CHANNEL D	x	x
TRD	0024	TRANSFER AND RESTORE PARITY AND TRAPS	x	x
TRP	-1165	TRANSFER AND RESTORE PARITY AND TRAPS	x	x
TRT	-1164	TRANSFER AND RESTORE TRAPS	x	x
TSJ	-1627	TRANSFER ON ZERO	x	x
TZE	0100	TRANSFER AND STORE INSTR LOCATION CTR	x	x
VDP	0225	VARIABLE LENGTH DIVIDE OR PROCEED	x	x
VLM	0204	VARIABLE LENGTH MULTIPLY	x	x
VMA	-1204	VARIABLE LENGTH MULTIPLY AND ACCUM	x	x
WBT	0766.6BIT14	WRITE BLANK TAPE	x	x
WEF	0770	WRITE END OF FILE	x	x
WRS	0756	WRITE LOGICAL	x	x
XEC	0522	EXECUTE	x	x

INPUT-OUTPUT DEVICE ADDRESS

DEVICE	CHAN	ADAPT	BCD ADDRESSES		BINARY ADDRESSES	
			BCD ADDRESSES	BINARY ADDRESSES		
MAGNETIC TAPE	A	0	01201/01212	01221/01232		
	B		02201/02212	02221/02232		
	C		03201/03212	03221/03232		
	D		04201/04212	04221/04232		
I/O CONTROL UNIT	A		01000	01020		
	B		02000	02020		
	C		03000	03020		
	D		04000	04020		
	E		05000	05020		
DIRECT DATA CONNECTION	B		02240	02260		
	C		03240	03260		
	D		04240	04260		
	E		05240	05260		
1622 CARD READER	A	3	01210	01230		
	A	3	01211	01231		
	A	3	01210	01230		
	A	3	01211	01231		
	A	3	01212	01232		
	A	3	01000	01020		
	A	3	01201/01212	01221/01232		
	A	3	01601	01621		
	A	3	01301	01321		
	A	3	01701/01702	01721/01722		
	A	3	01401/01404	01421/01424		
	A	3				

CPU CONSOLE	PROGRAM LISTING	TAPE UNIT DIAL SETTING
BCD/BINARY	BCD/BINARY	
XXX01/XXX21	XXX01/XXX21	1
XXX02/XXX22	XXX02/XXX22	2
XXX03/XXX23	XXX03/XXX23	3
XXX04/XXX24	XXX04/XXX24	4
XXX05/XXX25	XXX05/XXX25	5
XXX06/XXX26	XXX06/XXX26	6
XXX07/XXX27	XXX07/XXX27	7
XXX10/XXX30	XXX08/XXX28	8
XXX11/XXX31	XXX09/XXX29	9
XXX12/XXX32	XXX10/XXX30	0

NOTES

- F - Represents an indirectly addressable instruction
- T - Represents an indexable instruction
- N - Represents a number from 1 to 6

EXTENDED PERFORMANCE INSTRUCTIONS

SYM	NUMERIC	NAME	F	T
AXT	0774	ADDRESS TO INDEX TRUE	x	x
CCS	-1341	COMPARE CHARACTER WITH STORAGE	x	x
LAC	-0535	LOAD COMPLEMENT OF ADDRESS IN INDEX	x	x
LDC	-0535	LOAD COMPLEMENT OF DECREMENT IN INDEX	x	x
LXA	0534	LOAD INDEX FROM ADDRESS	x	x
LXD	-0534	LOAD INDEX FROM DECREMENT	x	x
MIT	-1341.6	STORAGE MINUS TEST	x	x
MSM	-1623.6	MAKE STORAGE SIGN MINUS	x	x
MSP	-1623.7	MAKE STORAGE SIGN PLUS	x	x
PAC	0737	PLACE COMPLEMENT OF ADDRESS IN INDEX	x	x
PAX	0734	PLACE ADDRESS IN INDEX	x	x
PCS	-1505	PLACE CHARACTER FROM STORAGE	x	x
PDC	-0737	PLACE COMPLEMENT OF DECREMENT IN INDEX	x	x
PDX	-0734	PLACE DECREMENT IN INDEX	x	x
PLT	-1341.7	STORAGE PLUS TEST	x	x
PXA	0754	PLACE INDEX IN ADDRESS	x	x
PXD	-0754	PLACE INDEX IN DECREMENT	x	x
SAC	-1623	STORE ACCUMULATOR CHARACTER	x	x
SXA	0634	STORE INDEX IN ADDRESS	x	x
SXD	-0634	STORE INDEX IN DECREMENT	x	x
TIX	2000	TRANSFER ON INDEX		
TMT	-1704	TRANSFER ON NO INDEX		
TSX	0074	TRANSFER ON SET INDEX		
TXH	3000	TRANSFER ON INDEX HIGH		
TXI	1000	TRANSFER WITH INDEX INCREMENTED		
TXL	-3000	TRANSFER ON INDEX LOW OR EQUAL		

7904 DATA CHANNEL DIAGNOSTIC INSTRUCTIONS

SYM	NUMERIC	NAME	F	T
LDLB	-0540.1	LOAD DATA REGISTER AND LOOP, CHANNEL B	X	X
LDLC	-0541.1	LOAD DATA REGISTER AND LOOP, CHANNEL C	X	X
LDLD	-0541.1	LOAD DATA REGISTER AND LOOP, CHANNEL D	X	X
LDLE	-0542.1	LOAD DATA REGISTER AND LOOP, CHANNEL E	X	X
SDRB	-0640.1	STORE DATA REGISTER, CHANNEL B	X	X
SDRC	-0641.1	STORE DATA REGISTER, CHANNEL C	X	X
SDRD	-0641.1	STORE DATA REGISTER, CHANNEL D	X	X
SDRE	-0642.1	STORE DATA REGISTER, CHANNEL E	X	X

SINGLE PRECISION FLOATING POINT INSTRUCTIONS

SYM	NUMERIC	NAME	F	T
FAD	0300	FLOATING ADD	X	X
FDP	0241	FLOATING DIVIDE OR PROCEED	X	X
FMP	0260	FLOATING MULTIPLY	X	X
FSB	0302	FLOATING SUBTRACT	X	X
UFA	-0300	UNNORMALIZED FLOATING ADD	X	X
UFM	-0260	UNNORMALIZED FLOATING MULTIPLY	X	X
UFS	-0302	UNNORMALIZED FLOATING SUBTRACT	X	X

DOUBLE PRECISION FLOATING POINT INSTRUCTIONS

SYM	NUMERIC	NAME	F	T
DFAD	0301	DOUBLE PRECISION FLOATING ADD	X	X
DFDP	-0241	DOUBLE PRECISION FLOATING DIVIDE OR PROCEED	X	X
DFMP	0261	DOUBLE PRECISION FLOATING MULTIPLY	X	X
DFSB	0303	DOUBLE PRECISION FLOATING SUBTRACT	X	X

STORAGE PROTECTION INSTRUCTIONS

SYM	NUMERIC	NAME	F	T
RPM	-1004	RELEASE PROTECT MODE		
SPM	-1160	SET PROTECT MODE	X	X

DIRECT DATA CONNECTION INSTRUCTIONS

SYM	NUMERIC	NAME	F	T
PSLB	-0664	PRESENT SENSE LINES, CHANNEL B	X	X
PSLC	-0665	PRESENT SENSE LINES, CHANNEL C	X	X
PSLD	-0665	PRESENT SENSE LINES, CHANNEL D	X	X
PSLE	-0666	PRESENT SENSE LINES, CHANNEL E	X	X
SSLB	-0660	STORE SENSE LINES, CHANNEL B	X	X
SSLC	-0661	STORE SENSE LINES, CHANNEL C	X	X
SSLD	-0661	STORE SENSE LINES, CHANNEL D	X	X
SSLE	-0662	STORE SENSE LINES, CHANNEL E	X	X

1401 OPTION INSTRUCTIONS

SYM	NUMERIC	NAME	F	T
SLFA	-1760,01501	STATUS LINE OFF, CHANNEL A		X
SLNA	-1760,01541	STATUS LINE ON, CHANNEL A		X

INSTRUCTION LISTING-NUMERIC

(All Options)

SYM	NUMERIC	NAME	F	T
TRA	0020	TRANSFER	X	X
TRCA	0022	TRANSFER ON REDUNDANCY CHECK, CHANNEL A	X	X
TRCB	-0022	TRANSFER ON REDUNDANCY CHECK, CHANNEL B	X	X
TRCC	-0024	TRANSFER ON REDUNDANCY CHECK, CHANNEL C	X	X
TRCD	-0024	TRANSFER ON REDUNDANCY CHECK, CHANNEL D	X	X
TRCE	0026	TRANSFER ON REDUNDANCY CHECK, CHANNEL E	X	X
TEFA	0030	TRANSFER ON END OF FILE, CHANNEL A	X	X
TEFB	-0030	TRANSFER ON END OF FILE, CHANNEL B	X	X
TEFC	0031	TRANSFER ON END OF FILE, CHANNEL C	X	X
TEFD	-0031	TRANSFER ON END OF FILE, CHANNEL D	X	X
TEFE	0032	TRANSFER ON END OF FILE, CHANNEL E	X	X
TCOA	0060	TRANSFER ON CHANNEL A IN OPERATION	X	X
TCOB	0061	TRANSFER ON CHANNEL B IN OPERATION	X	X
TCOC	0062	TRANSFER ON CHANNEL C IN OPERATION	X	X
TCOD	0063	TRANSFER ON CHANNEL D IN OPERATION	X	X
TCOE	0064	TRANSFER ON CHANNEL E IN OPERATION	X	X
TSA	0074	TRANSFER AND SET INDEX	X	X
TZE	0100	TRANSFER ON ZERO	X	X
TNZ	-0100	TRANSFER ON NO ZERO	X	X
TPL	0120	TRANSFER ON PLUS	X	X
TMI	-0120	TRANSFER ON MINUS	X	X
TQV	0140	TRANSFER ON OVERFLOW	X	X
MPY	0200	MULTIPLY	X	X
VLM	0204	VARIABLE LENGTH MULTIPLY	X	X
DIV	0204	DIVIDE OR PROCEED	X	X
VDP	0255	VARIABLE LENGTH DIVIDE OR PROCEED	X	X
FDP	0241	FLOATING DIVIDE OR PROCEED	X	X
DFDP	-0241	DOUBLE PREC FLO DIVIDE OR PROCEED	X	X
FMP	0260	FLOATING MULTIPLY	X	X
UFM	-0260	UNNORMALIZED FLOATING MULTIPLY	X	X
DFMP	0261	DOUBLE PRECISION FLOATING MULTIPLY	X	X
FAD	0300	FLOATING ADD	X	X
UF	-0300	UNNORMALIZED FLOATING ADD	X	X
DFAD	0301	DOUBLE PRECISION FLOATING ADD	X	X
FSB	0302	FLOATING SUBTRACT	X	X
UFS	-0302	UNNORMALIZED FLOATING SUBTRACT	X	X
DFSB	-0303	DOUBLE PRECISION FLOATING SUBTRACT	X	X
AND	-0320	AND TO ACCUMULATOR	X	X
CAS	0340	COMPARE ACCUMULATOR WITH STORAGE	X	X
LAS	-0340	LOGICAL COMPARE ACCUM WITH STORAGE	X	X
ACL	0361	ADD AND CARRY LOGICAL WORD	X	X
ADD	0400	ADD	X	X
SUB	0402	SUBTRACT	X	X
HPR	0420	HALT AND PROCEED	X	X
CLA	0500	CLEAR AND ADD	X	X
CAL	-0500	CLEAR AND ADD LOGICAL WORD	X	X
ORA	-0501	OR TO ACCUMULATOR	X	X
CLS	0502	CLEAR AND SUBTRACT	X	X
XEC	0522	EXECUTE	X	X
LXA	0534	LOAD INDEX FROM ADDRESS	X	X
LXD	-0534	LOAD INDEX FROM DECREMENT	X	X
LAC	0535	LOAD COMPLEMENT OF ADDRESS IN INDEX	X	X
LDC	-0535	LOAD COMPLEMENT OF DECREMENT IN INDEX	X	X
RCHA	0540	RESET AND LOAD CHANNEL A	X	X
RCHB	-0540	RESET AND LOAD CHANNEL B	X	X
LDLB	-0540.1	LOAD DATA REGISTER AND LOOP, CHANNEL B	X	X
RCHC	0541	RESET AND LOAD CHANNEL C	X	X
LDLC	0541.1	LOAD DATA REGISTER AND LOOP, CHANNEL C	X	X
RCHD	-0541	RESET AND LOAD CHANNEL D	X	X
LDLD	-0541.1	LOAD DATA REGISTER AND LOOP, CHANNEL D	X	X
RCHE	0542	RESET AND LOAD CHANNEL E	X	X
LDLE	0542.1	LOAD DATA REGISTER AND LOOP, CHANNEL E	X	X
LQ	0560	LOAD MQ	X	X
ENB	0564	ENABLE FROM Y	X	X
STZ	0603	STORE ZERO	X	X
STO	-0600	STORE MQ	X	X
STO	0601	STORE	X	X
SLW	0602	STORE LOGICAL WORD	X	X
STAD	0621	STORE ADDRESS	X	X
STD	0622	STORE DECREMENT	X	X
STL	-0625	STORE INSTRUCTION LOCATION COUNTER	X	X
SXA	0634	STORE INDEX IN ADDRESS	X	X
SXD	-0634	STORE INDEX IN DECREMENT	X	X
SCHA	0640	STORE CHANNEL A	X	X
SCHB	-0640	STORE CHANNEL B	X	X
SDRB	-0640.1	STORE DATA REGISTER, CHANNEL B	X	X
SCHC	0641	STORE CHANNEL C	X	X
SDRD	-0641.1	STORE DATA REGISTER, CHANNEL C	X	X
SCHD	-0641	STORE CHANNEL D	X	X
SDRD	-0641.1	STORE DATA REGISTER, CHANNEL D	X	X
SCH E	0642	STORE CHANNEL E	X	X

INSTRUCTION LISTING-NUMERIC

(All Options)

SYM	NUMERIC	NAME	F	T
SDRE	0642.1	STORE DATA REGISTER+CHANNEL E	X	X
SSLB	0660	STORE SENSE LINES+CHANNEL B	X	X
SSLC	0661	STORE SENSE LINES+CHANNEL C	X	X
SSLD	0661	STORE SENSE LINES+CHANNEL D	X	X
SSLE	0662	STORE SENSE LINES+CHANNEL E	X	X
PSLB	0664	PRESENT SENSE LINE+CHANNEL B	X	X
PSLC	0665	PRESENT SENSE LINE+CHANNEL C	X	X
PSLD	0665	PRESENT SENSE LINES+CHANNEL D	X	X
PSLE	0666	PRESENT SENSE LINES+CHANNEL E	X	X
PAX	0734	PLACE ADDRESS IN INDEX	X	X
PDX	0734	PLACE DECREMENT IN INDEX	X	X
PAC	0737	PLACE COMPLEMENT OF ADDRESS IN INDEX	X	X
PDC	0737	PLACE COMPLEMENT OF DECREMENT IN INDEX	X	X
PXA	0754	PLACE INDEX IN ADDRESS	X	X
PXD	0754	PLACE INDEX IN DECREMENT	X	X
LBT	0760.00001	LOW ORDER BIT TEST	X	X
PBT	0760.00001	P BIT TEST	X	X
CHS	0760.00002	CHANGE SIGN	X	X
SSP	0760.00003	SET SIGN PLUS	X	X
ENK	0760.00004	ENTER KEYS	X	X
IOT	0760.00005	INPUT/OUTPUT CHECK TEST	X	X
COM	0760.00006	COMPLEMENT MAGNITUDE	X	X
DCT	0760.00012	DIVIDE CHECK TEST	X	X
RCT	0760.00014	RESTORE CHANNEL TRAPS	X	X
SWT	0760.0016N	SENSE SWITCH TEST	X	X
ETTA	0760.01000	END OF TAPE TEST+CHANNEL A	X	X
RDCA	0760.01352	RESET DATA CHANNEL A	X	X
ETTB	0760.02000	END OF TAPE TEST+CHANNEL B	X	X
RDCB	0760.02352	RESET DATA CHANNEL B	X	X
ETTC	0760.03000	END OF TAPE TEST+CHANNEL C	X	X
RDCC	0760.03352	RESET DATA CHANNEL C	X	X
ETTD	0760.04000	END OF TAPE TEST+CHANNEL D	X	X
RDCD	0760.04352	RESET DATA CHANNEL D	X	X
ETTE	0760.05000	END OF TAPE TEST+CHANNEL E	X	X
RDCE	0760.05352	RESET DATA CHANNEL E	X	X
RDS	0762	READ SELECT	X	X
LLS	0763	LONG LEFT SHIFT	X	X
LGS	0763	LOGICAL LEFT SHIFT	X	X
BSR	0764	BACKSPACE RECORD	X	X
LRS	0765	LONG RIGHT SHIFT	X	X
LGR	0765	LOGICAL RIGHT SHIFT	X	X
WBT	0766	WRITE BLANK TAPE	X	X
WRS	0766	WRITE SELECT	X	X
ALS	0767	ACCUMULATOR LEFT SHIFT	X	X
REF	0770	WRITE END OF FILE	X	X
REW	0771	ACCUMULATOR RIGHT SHIFT	X	X
REW	0772	REWIND	X	X
RUN	0772	REWIND AND UNLOAD	X	X
RQL	0773	ROTATE MQ LEFT	X	X
AXT	0774	ADDRESS TO INDEX TRUE	X	X
STR	1000	TRANSFER LOCATION AND TRAP	X	X
TXI	1000	TRANSFER WITH INDEX INCREMENTED	X	X
RPN	1004	RELEASE PROTECT MODE	X	X
TDA	1060	TRANSFER ON CHANNEL A DEVICE IN OP	X	X
SPM	1160	SET PROTECT MODE	X	X
TRT	1164	TRANSFER AND RESTORE TRAPS	X	X
TRP	1165	TRANSFER AND RESTORE PARITY AND TRAPS	X	X
VMA	1204	VARIABLE LENGTH MULTIPLY AND ACCUM	X	X
CCS	1341	COMPARE CHARACTER WITH STORAGE	X	X
MIT	1341.6	STORAGE MINUS TEST	X	X
PLT	1341.7	STORAGE PLUS TEST	X	X
PCT	1505	PLACE CHARACTER FROM STORAGE	X	X
CAP	1510	TRANSFER AND ADD LOGICAL WORD WITH PARITY	X	X
SLP	1612	STORE LOGICAL WORD WITH PARITY	X	X
SAC	1623	STORE ACCUMULATOR CHARACTER	X	X
MSM	1623.6	MAKE STORAGE SIGN MINUS	X	X
MSP	1623.7	MAKE STORAGE SIGN PLUS	X	X
TSL	1627	TRANS AND STORE INSTR LOCATION COUNTER	X	X
TMT	1704	TRANSMIT	X	X
ICT	1760.00014	INHIBIT CHANNEL TRAPS	X	X
SLFA	1760.01501	STATUS LINE OFF CHANNEL A	X	X
SLNA	1760.01541	STATUS LINE ON CHANNEL A	X	X
PRD	1762	PREPARE TO READ	X	X
SEN	1762	SENSE SELECT READ	X	X
CTR	1764	CONTROL SELECT WRITE	X	X
PWR	1766	PREPARE TO WRITE	X	X
TIX	2000	TRANSFER ON INDEX	X	X
TNX	2000	TRANSFER ON NO INDEX	X	X
TXH	3000	TRANSFER ON INDEX HIGH	X	X
TXL	3000	TRANSFER ON INDEX LOW OR EQUAL	X	X

LOGIC FLOW

Inst	Action	Result/ Registers
ACL	C(AC)P,1-35 + C(Y) C(AC)S,Q are unchanged	AC
ADD	C(AC) + C(Y)	AC
ALS	← C(AC)Q,P,1-35	AC
ANA	C(AC)P,1-35 AND'ed with C(Y) C(AC)S,Q are set to zeros	AC
ARS	C(AC)Q,P,1-35 →	AC
AXT	C(AXT)21-35 replace C(XR)	Index
CAL	C(AC)P,1-35 replaced by C(Y) C(AC)S,Q are set to zeros	AC
CAP	C(AC)S,P,1-35 are replaced by C(Y)C,S,1-35 C(AC)Q is set to zero	AC
CAS	If C(AC) > C(Y) C(AC) = C(Y) C(AC) < C(Y)	Next Inst 2nd Inst 3rd Inst AC
CHS	C(AC)S is inverted C(AC)Q,P,1-35 are unchanged	AC
CLA	C(AC)S,1-35 are replaced by C(Y) C(AC)Q,P are set to zeros	AC
CLS	C(AC)S,1-35 are replaced by negative of C(Y) C(AC)Q,P are set to zeros	AC
COM	C(AC)Q,P,1-35 are replaced by negative of itself C(AC)S is unchanged	AC
DVP	C(AC)Q,P,1-35 & C(MQ)1-35 ÷ C(Y)	AC (remainder) MQ (quotient)
LAC	2's comp of C(Y)21-35 replace C(XR)	Index
LAS	If C(AC)Q,P,1-35 > C(Y) C(AC)Q,P,1-35 = C(Y) C(AC)Q,P,1-35 < C(Y)	Next Inst 2nd Inst 3rd Inst
LDC	2's comp of C(Y)3-17 replace C(XR)	Index
LDQ	C(MQ) replaced by C(Y)	MQ
LGL	← C(AC)Q,P,1-35 & C(MQ)S,1-35	AC & MQ
LGR	C(AC)Q,P,1-35 & C(MQ)S,1-35 →	AC & MQ
LLS	← C(AC)Q,P,1-35 & C(MQ)1-35	AC & MQ
LRS	C(AC)Q,P,1-35 & C(MQ)1-35 →	AC & MQ
LXA	C(Y)21-35 replace C(XR)	Index
LXD	C(Y)3-17 replace C(XR)	Index
MPY	C(Y) * C(MQ)	AC (low order) MQ (high order)
ORA	C(AC)P,1-35 OR'ed with C(Y)	AC
PAC	2's comp of C(AC)21-35 replace C(XR)	Index
PAX	C(AC)21-35 replace C(XR)	Index
PDC	2's comp of C(AC)3-17 replace C(XR)	Index
PDX	C(AC)3-17 replace C(XR)	Index
PXA	C(XR) replace C(AC)21-35 C(AC)S,1-20 are set to zeros	AC
PXD	C(XR) replace C(AC)3-17 C(AC)S,1,2,18-35 are set to zeros	AC
RQL	← C(MQ)S,1-35	MQ
STA	C(Y)21-35 replaced by C(AC)21-35 C(Y)S,1-20 are unchanged	Loc Y
STD	C(Y)3-17 replaced by C(AC)3-17 C(Y)S,1,2,18-35 are unchanged	Loc Y
STO	C(AC)S,1-35 replace C(Y)	Loc Y
STQ	C(MQ)S,1-35 replace C(Y)	Loc Y
STZ	Zeros replace C(Y)	Loc Y
SUB	C(AC) - C(Y)	AC
SXA	C(XR) replace C(Y)21-35 C(Y)S,1-20 are unchanged	Loc Y
SXD	C(XR) replace C(Y)3-17 C(Y)S,1,2,18-35 are unchanged	Loc Y

NOTES

F — Represents an indirectly addressable instruction

I — Represents an indexable instruction

N — Represents a number 1 to 6

Read Bus Position	Rd Bus B	Rd Bus A	Rd Bus 8	Rd Bus 4	Rd Bus 2	Rd Bus 1
1st Word Spec by RCHA	Position Sign	Position 1	Position 2	Position 3	Position 4	Position 5
MACHINE AND OP	NOT READY		CHECK	BUSY	CONDITION	NO TRANSFER
1401 DPS 1402 Card Read Operation	1401 Busy Out of Cards; no End of File. Off line. Reader power off. Stop key depressed.	Not Used	Not Used Card codes other than 64 valid char. Check status not turned off with SENA instruction. Chan A redundancy chk turned on when card RDS is given. Hole count, parity, ring check, or clock error.	Not Used Card filling the buffer.	Not Used Status bit indicates EOF and is turned on after the last card has been transferred from buffer to CPU if EOF key has been depressed. Indicator sensed and turned off by SENA instruction, if reader is not busy.	Not Used Used with column binary feature on 1414-4 and indicates the card in the read buffer had 7 and 9 punches in column one, and there are 160 characters of information available.
1402 Card Punch Operation	Out of cards. Off line. Power off. Stop key depressed.		Not Used	Punching a card.	Hole count check on 1st card while 2nd is being punched, clock ring or parity error in punch scans.	Not Used
1403 Printer Operation	Out of forms. Off line. Power off. Stop key depressed.	Forms Busy	Same as conditions given in Position 4.	Printer printing a line or forms busy.	Parity error detected during a print scan. A print hammer failed to fire. Printer timing circuit was out of sync with print chain.	Not Used
1009 Data Transmission Unit (Input Status)	Off line. Power off.		A parity error was detected during filling of the buffer.	Buffer being filled.	CPU did not empty the buffer in time and a message has been lost.	End of message, or no message is in the buffer.
1009 Data Transmission Unit (Output Status)	Off line. Power off.		Not Used	Both buffers have data, one is emptying.	Last message sent had an error. Message was transmitted to the local 1009 but was not sent successfully to the remote 1009.	End of message.

18

19

1011 Paper Tape Reader	Out of tape. Tape broken. Off line. Power off.		Parity error while buffer was being loaded.	Buffer being filled.	Not Used	Not Used
1014 Remote Inquiry Unit (Input Status)	Off line. Power off.		Error was detected during filling of the buffer.	Not Used	Not Used	No message in the buffer. Buffer being filled.
1014 Remote Inquiry Unit (Output Status)	Off line. Power off.		Not Used	Buffer being emptied.	Error was detected during sending of previous message.	Previous message was not sent; station addressed inoperative.
Telegraph Type Input-Output (Input Status)	Buffer off line. Power off.		Parity error during filling of buffer. Format chk during filling of buffer. Part of a message has been lost.	Buffer being filled.	CPU did not empty buffer in time and one or more messages have been lost.	No message in the buffer.
Telegraph Type Input-Output (Output Status)	Buffer off line. Power off. Local telegraph unit is not ready.		Not Used	Buffer being emptied.	An error was detected during the transmission of the previous message.	Previous message was sent but received incorrectly or not at all, because of invalid format, line failure, or excessive delay in getting characters to the output line.
Tapes	Ready	Not Used	Not Used	Sense Rewind	Not Used	Sense Load Point

Normal Sequence:

SENA - 1762

RCHA + 0540

S	1					11	12	13	14	15
1	0	1	1	1	1	1	0	1	0	1
0	0	0	1	0	1	0	0	0	0	0

MASKING FOR DIRECT DATA AND CHANNEL TRAPS

Mask Trigger	Conditions Enabled and Tags Stored	Channel	Mask Tgr Set by ENB Data Wrđ Bit
Operation	Operation Complete End of File	17	A 35
		15 and 17	B 34
	Word Parity Unusual End	14 and 17	C 33
		12 and 17	D 32
			E 31
Direct Data	Direct Data Interrupt	16 (B)	B 25
		15 (C)	C 24
		14 (D)	D 23
		13 (E)	E 22
Parity	Word Parity Redundancy Check	14	A 17
		16	B 16
			C 15
			D 14
			E 13
Attention	1401 Attention Tele-Processing Interrupt (1414 Attention)	10	A 8
		9	
	SI Attention	11	B 7
			C 6
			D 5
		E 4	
Unit Record	Unit Record Interrupt	8	A 5

TRAP-CONTROL SET AND RESET

	Trap Control (02.13.03)	Parity Mode (02.13.03)	Channel Trap Ctl (02.13.03)	MP Mode (02.16.05)
Set	1. TRT or TRP Inst 2. Power on Reset 3. Reset, Load, or Clear Keys	1. TRP Inst 2. Power on Reset 3. Reset, Load, or Clear Keys	1. ENB or RCT Inst	1. SPM Inst
Reset	1. Any Trap	1. Parity Trap	1. Channel or DD Trap 2. ICT Inst 3. Power on Reset 4. Reset, Load or Clear Keys	1. SPM, RPM MP Violation, or Pre I-O Traps 2. Power on Reset 3. Reset, Load, or Clear Keys

TRAPPING

TRAP PRIORITY	TRAP NAME	REASON FOR TRAP	WHEN TRAP CAN OCCUR	TRAP RESTRICTIONS	STORE *8 LOCATION	TRANSFER *9 LOCATION	DISABLING EFFECT OF TRAP	HOW DISABLING EFFECT MAY BE NULLIFIED
1	Interval Timer Blast	A "C" cycle request is received before the preceding "C" cycle request is honored. 33 milliseconds have expired since the interval timer was last stepped.	A "C" cycle request may occur (and therefore a Trap request) 1) Between instructions 2) During RDS, PRD, SEN, WRS, PWR, CTR, BSR, REW, WBT, RUN, WEF instructions. 3) Between "U" cycles during execution of a RCHA instruction. A trap request initiates an immediate trap.	None	00036	00037	1) Trap control turned off 2) Resets all channels 3) Resets program register in CPU and shift ctr. 4) Resets waiting "C" cycle requests and interval timer overflow trap requests. 5) Interval timer will contain 2g less than it should. 6) An interrupted instruction is not completed.	Trap control may be turned on by executing a TRT or TRP instruction. Interval timer may be corrected by: CLA 00005 ADD =02 STO 00005
2 **	Memory Protect Violation	A store is attempted in a protected area of core. NOTE: Input information from an I/O device is never prevented from storing in a protected area.	Immediately after an "E" cycle attempting (it will not succeed) to store in a protected area of core.	1) Trap control on *1 2) Protect mode on *1 If trap control is off, protect mode on, and a violation occurs, the store will be successful and a trap will not occur.	00032 Bit 16 Flag	00033	1) Protect mode turned off. 2) Violating instructions are not allowed to store (or complete, in the case of the Transmit Instruction; on other instructions, the E store cycle will be the last cycle.) 3) Trap control turned off.	Protect mode may be turned on by executing a SPM instruction. Trap control may be turned on by executing a TRT or TRP instruction.

SUMMARY OF TRAPPING

TRAP PRIORITY	TRAP NAME	REASON FOR TRAP	WHEN TRAP CAN OCCUR	TRAP RESTRICTIONS	STORE *8 LOCATION	TRANSFER *9 LOCATION	DISABLING EFFECT OF TRAP	HOW DISABLING EFFECT MAY BE NULLIFIED
5	Pre-Interrupt Memory Protect	Interval timer overflow, channel or direct data trap requested with protect mode on.	Trap is initiated at the time the causitive trap would have been initiated had memory protect been off. Refer to individual causitive trap descriptions.	1) Trap control on. 2) Protect mode on. 3) Restrictions for causitive trap met.	00032 Bit 17 Flag	00033	1) Protect mode turned off. 2) Delays execution of causitive trap until protect mode is turned off. 3) Trap control turned off.	1) Protect mode may be turned on by executing a SPM instruction. 2) Trap control may be turned on by executing a TRT or TRP instruction.
6	Interval Timer Overflow	Adder 1 carry while interval timer is being incremented.	After "C" cycle storing - incremented interval timer if "C" cycle occurred between instructions. If "C" cycle occurred during a BSR, REW, RUN, WEF or RCHA instruction, the instruction will complete before trap is initiated. If the trap request occurs during or immediately after a privileged *5 instruction, the trap will be delayed until after the completion of the instruction following the privileged instruction.	1) Trap control on. 2) Protect mode off. *6 *6 If on, pre-interrupt memory protect trap will be initiated to turn if off.	00006	00007	1) Blocks "C" cycle requests while waiting for trap to be executed. 2) Trap control turned off. Trap control may be restored by executing a TRT or TRP instruction.	If trap execution is delayed long enough to block two "C" cycle requests, an interval timer blast trap will be initiated which will reset overflow trap request. At this time, the interval timer should contain 2g (it will contain 0g). This may be corrected by: CLA =02 STO 00005

7	Direct Data	Interrupt signal from direct data external device with direct data mask bit for subject channel a one. Mask Bit *11 (From ENB Inst.) Channel B 25 C 24 D 23 E 22	After completion of the instruction in progress when the interrupt signal is received. If the trap request occurs during or immediately after a privileged *5 instruction, the trap will be delayed until after the completion of the instruction following the privileged instruction.	1) Trap control on. 2) Channel trap control on. 3) Protect mode off. *10 4) Direct data mask bit for interrupting channel must be a one *11. *10 If on, pre-interrupt memory protect trap will be initiated to turn if off.	00003 Channel B interrupt yields Bit 16 Flag Channel C interrupt yields Bit 15 Flag Channel D interrupt yields Bit 14 Flag Channel E interrupt yields Bit 13 Flag *11 Flag Bits will be stored only if the mask bit is on. It is possible to have more than one Flag Bit stored if the execution of the trap is delayed long enough to allow more than one channel to send an interrupt signal. Only one trap will be executed in this case.	00004 The instruction contained in this location must be an unconditional transfer to main-CT compatibility.	control turned off. Channel trap control may also be turned off by executing an ICT instruction. Direct data traps may also be blocked by an ENB O instruction.	control may be turned on by executing a RCT or ENB instruction. The RCT instruction will allow the maskbits specified in the last ENB instruction to retain control. Any interrupt signal received while channel trap control was off will be honored after execution of RCT along with TRT or TRP The ENB instruction will permit an interrupt signal received while channel trap control was off to cause a trap if the mask bit for the channel is turned on by the new ENB instruction, even
---	-------------	--	--	---	---	---	---	--

TRAP PRIORITY	TRAP NAME	REASON FOR TRAP	WHEN TRAP CAN OCCUR	TRAP RESTRICTIONS	STORE *8 LOCATION	TRANSFER *9 LOCATION	DISABLING EFFECT OF TRAP	HOW DISABLING EFFECT MAY BE NULLIFIED
								though the prior ENB instruction did not specify that mask bit. Waiting interrupt requests are reset by a direct data trap (only for those channels covered by a mask bit) an RDCX instruction (all channels) or by reading or writing from the DD channel requesting the interrupt.
8 Trap priority among channels is in order of	Channel E Channel D Channel C	1) An I/O operation completes with operation "mask bit for subject channel a one. This will occur whenever any channel	After completion of the instruction in progress when the trap request is generated. A trap request may be generated by a channel only when it goes not in	1) Trap control on 2) Channel trap control on 3) Protect mode off *12	00022 *15 00020 *15 00016 *15	00023 *14 00021 *14 00017 *14	1) Channel trap control turned off. Channel trap control may also be turned off by executing an ICT instruction.	1) Channel trap control may be turned on by executing a RCT or ENB instruction. 2) Trap control may be turned on by executing a TRT or TRP instruction.

physical remoteness from CPU. Channel "A" has the lowest priority. For this discussion, it is assumed that Channel "E" is the furthest from CPU. No channel may request a trap (except an attention trap) while it is still in use. However, the condition that will eventually cause a trap request may be present for much of the channel operation. If a higher priority	Channel B Channel A	command completes, tapes complete a back space or write end of file or blank tape, or when the relays pick for a rewind. 2) Redundancy check from I/O device or channel parity error with "parity" mask bit for subject channel a one *18. This will stop the transmission of data although the channel will remain in use. 3) End of file *13, 18 from tapes or from 1401 (KB instruction from 1401), or when 1622 or 1402 reader runs out of cards with "operation" mask bit a one. 4) Word parity error while reading or writing from core during "U" or "B" cycles or channel parity error during a write operation. Either "parity" mask bit (data transmission stops) or "operation" mask bit	use. The exception to this is an attention request which does not have to wait until the channel goes not in use. If the trap request occurs during or immediately after a privileged*5 instruction, the trap will be delayed until after the completion of the instruction following the privileged instruction.	4) Appropriate mask bit must be on for both the channel and the condition for which the trap is requested. *12 if on, pre-interrupt memory protect trap will be initiated to turn it off.	00014 *15 00012 *15	00013 *14	Channel traps may also be blocked by an ENB O instruction. This is not advisable however because data transmission will not be stopped in the event of a parity error or redundancy check with the "parity" mask bit off. This will also make it difficult to locate the word in error because the channel address counter will continue to step after the error occurs. 2) Trap control turned off.	mask bits specified in the last ENB instruction to retain control. <u>Any</u> trap request received while channel trap control was off will be honored after execution of RCT along with TRT or TRP. The ENB instruction will permit a trap request occurring while channel trap control was off to be honored if the mask bit for <u>both</u> the channel and the condition is turned on by the new ENB instruction, even though the prior ENB instruction did not specify that mask bit.
				The store and transfer locations associated with a specific channel are fixed and do not change if physical remoteness from CPU is altered. *15 (1) yields bit 17 flag (2) yields bit 16 flag (3) yields bits 15 and 17 flag (4) yields bit 14 flag (5) yields bits 12 and 17 flag (6) yields bit 11 flag (7) yields bit 10 flag (8) yields bit 9 flag	*14 The instruction contained in this location must be an unconditional transfer to maintain 7090/7094 compatibility.			

TRAP PRIORITY	TRAP NAME	REASON FOR TRAP	WHEN TRAP CAN OCCUR	TRAP RESTRICTIONS	STORE *8 LOCATION	TRANSFER *9 LOCATION	DISABLING EFFECT OF TRAP	HOW DISABLING EFFECT MAY BE NULLIFIED
channel goes "not in use" and requests a trap. it will trap first, even though the condition that caused its trap occurred after a trapping condition in the channel that is still in use.		(transmission continues) must be a one. 5) Unusual end signal from simplex interface I/O device *16, or tape word incomplete (number of characters sent to tape, or received from tape, except tape mark, not a multiple of six). Operation mask bit must be a one. The significance of the simplex interface signal depends upon the simplex interface device and it will usually require a sense operation to determine the condition. 6) Simplex interface *16 attention signal with "attention" mask bit a one. The significance of the signal depends upon the simplex interface I/O device. 7) 1401 attention signal *17 with "attention" mask bit a one. The attention			(9) yields bit 8 flag More than one bit may be stored if the trap execution is delayed long enough to allow multiple trapping conditions to occur on a single channel. Only the first condition will request a trap.			The conditions that will request a trap can be reset by executing the trap for that channel or by a RDCX instruction (this will reset <u>all</u> trapping conditions on the specified channel).

	signal is the result of a <u>KF</u> instruction on the 1401. 8) Teleprocessing attention signal *17 from 1414 IV or V I/O sync with "attention" mask bit a one. It indicates a message is waiting or an output buffer is empty. 9) Unit record interrupt signal *17 with "unit record" mask bit a one. It indicates the card reader buffer is full, the punch or printer buffer is empty or the paper tape reader is full. For the printer, the interrupt signal also indicates that the forms are stopped.	*5 Privileged instructions are: RDS, PRD, SEN, WRS, PWR, WBT, CTR, ENB, RCT, ICT, XEC, SPM *8 The core address of the instruction following the instruction being executed when a trap request occurs will be stored in positions 21-35 of the store location, in addition to any indicated flag bits. *9 The final operation during a trap consists of starting memory with this address selected during I time. *13 Channel "A" end of file cannot directly cause a trap, but will induce an "operation" complete "Trap." In this case bits will be stored in positions 15 and 17 of Location 00012. *16 Overlap channels only for simplex interface unusual end signal. *17 Channel "A" only *18 If the mast bit for redundancy check or end of file is a one, the respective TRCX or TEFX instructions will always be executed as no-operations regardless of whether the tested conditions exist.	SUMMARY OF MASK BITS FOR CHANNEL AND DIRECT DATA TRAPS					
			Channel Bit Position of ENB Operand					
			Channel	Operation	Parity	Attention	Unit Record	Direct Data
E	31	13	4	N/A	22			
D	32	14	5	N/A	23			
C	33	15	6	N/A	24			
B	34	16	7	N/A	25			
A	35	17	8	S	N/A			

LOGIC PAGE LOCATIONS

Caution

When scoping, avoid ground levels such as minus B and plus S. A ground level could be an open circuit.

Caution

Do not use an ungrounded scope

LIGHT LOCATIONS

The location of indicator lights is noted in the following charts by--

- C Console
- N No indicator light
- P Back panel mounting

7040/44 CPU

MFI CODES

AT	INTERVAL TIMER
CHB	FIRST OVERLAP CHANNEL - CHANNEL B
CHC	ADDITIONAL OVERLAP CHANNEL - CHANNEL C
CHD	ADDITIONAL OVERLAP CHANNEL - CHANNEL D
CHE	ADDITIONAL OVERLAP CHANNEL - CHANNEL E
EP	EXTENDED PERFORMANCE
SP	SINGLE PRECISION FLOATING POINT
DP	DOUBLE PRECISION FLOATING POINT
MP	MEMORY PROTECT 4K
MP8	MEMORY PROTECT 8K
MP16	MEMORY PROTECT 16K
MP32	MEMORY PROTECT 32K
BU	8 USEC MEMORY
2.5U	2.5 USEC MEMORY
4K	4K MEMORY
4KBK	4K OR 8K MEMORY
16K	16K MEMORY

KEYS AND SWITCHES

NAME	LIGHT	ALD PAGE FROM	ALD PAGE TO	VOL
ADDRESS - OPK 21 TO 35-	N	00.20.04.0	02.05.21.1	V3
AK 21 TO 35 -LOCATION	N	00.20.04.0	02.04.21.1	V3
ANY KEY -RESET-	N	00.20.06.0	02.14.01.1	V4
AUTOMATIC	C	00.20.06.0	02.14.06.1	V4
CHANNEL BIT DENSITY -ABCDE-	N	00.20.00.0	02.04.04.1	V3
CHANNEL DENSITY -ABCDE-	N	00.20.00.0	02.04.04.1	V3
C-B AND THERMAL LIGHT	C	09.00.50.0		V7
CLEAR	N	00.20.06.0	02.14.04.1	V4
CONTINUOUS ENTER INSTRUCTION	N	00.20.06.0	02.14.06.1	V4
DISPLAY STORAGE	N	00.20.06.0	02.14.03.1	V4
EMERGENCY OFF PULL	N	09.00.10.0	SHEET.1	V7
EMERGENCY POWER OFF	N	09.00.10.0	SHEET.1	V7
ENTER INSTRUCTION	N	00.20.06.0	02.14.03.1	V4
ENTER STORAGE	N	00.20.06.0	02.14.03.1	V4
I-O INTERLOCK CONTROL	C	00.20.06.0	02.14.06.1	V4
I-O INTERLOCK -CONTROL-	C	00.20.06.0	02.14.06.1	V4
INSTRUCTION -OPK 0 TO 17-	N	00.20.04.0	02.05.00.1	V3
LOAD	N	00.20.06.0	02.14.04.1	V4
LOCATION -AK 21 TO 35	N	00.20.04.0	02.04.21.1	V3
MASTER CONNECT LIGHT	C	09.00.50.0		V7
MASTER CONNECT	C	09.00.10.0	SHEET.1	V7
MASTER DISCONNECT	C	09.00.10.0	SHEET.1	V7
MASTER POWER CONNECT LIGHT	C	09.00.50.0		V7
MASTER POWER CONNECT	C	09.00.10.0	SHEET.1	V7
MASTER POWER DISCONNECT	C	09.00.10.0	SHEET.1	V7
MULTIPLE STEP	N	00.20.06.0	02.14.01.1	V4
NORMAL POWER OFF	N	09.00.30.0	SHEET.1	V7
NORMAL POWER ON	N	09.00.30.0	SHEET.1	V7
NORMAL POWER ON LIGHT	C	09.00.50.0		V7
OPK 18 TO 20 -TAG-	N	00.20.04.0	02.05.18.1	V3

NAME	LIGHT	ALD PAGE FROM	ALD PAGE TO	VOL
AK 21 TO 35 -ADDRESS	N	00.20.04.0	02.05.21.1	V3
AK 0 TO 17 -INSTRUCTION	N	00.20.04.0	02.05.00.1	V3
POWER OFF -NORMAL-	N	09.00.30.0	SHEET.1	V7
POWER ON -NORMAL-	N	09.00.30.0	SHEET.1	V7
POWER ON LIGHT -NORMAL-	C	09.00.50.0		V7
RESET	N	00.20.06.0	02.14.04.1	V4
RESET - ANY KEY-	N	00.20.06.0	02.14.01.1	V4
SENSE -123456-	N	00.20.04.1	02.10.75.1	V4
SENSE SWITCHES -123456-	N	00.20.04.1	02.10.75.1	V4
SINGLE STEP	N	00.20.06.0	02.14.01.1	V4
START	N	00.20.06.0	2.14.02.1	V4
STEP MODE	N	00.20.00.1	02.14.02.1	V4
STEP MODE CYCLE	N	00.20.00.1	02.14.02.1	V4
STORAGE CLOCK	N	00.20.00.1	02.14.03.1	V4
TAG - OPK 18 TO 20-	N	00.20.04.0	02.05.18.1	V3

REGISTERS

NAME	LIGHT	ALD PAGE	VOL	MFI
ACCUMULATOR		C 02.02.00.1	V2	
ADDRESS REGISTER		C 02.04.21.1		
CLOCK		C 02.15.00.1	V4	
COUNT REGISTER 32-35	N	02.16.01.1	V4	MP
FIELD REGISTER 21-27	N	02.16.02.1	V4	MP
INDEX REGISTER		C 02.03.21.1	V3	EP
INSTRUCTION COUNTER		C 02.04.21.1		
INSTRUCTION REG. S-9-PROG. REG.		C 02.04.00.1	V3	
LATCH REGISTER		N 02.30.82.1	V5	DP
MG REGISTER		C 02.01.00.1	V2	
MG REGISTER C -WORD EVEN TGR.-		C 03.30.02.1	V6	
POSITION REGISTER 14-17		C 02.04.18.1	V3	
POSITION REGISTER 13		N 02.04.18.1	V3	
POSITION REGISTER F - IA TGR.-		C 02.10.65.1	V4	
PROGRAM REGISTER S-9-INSTR.REG.		C 02.04.00.1	V3	
PROGRAM REGISTER 24-27		N 02.04.47.1	V3	
SHIFT COUNTER		C 02.04.10.1	V3	
STORAGE REGISTER		C 02.01.00.1	V2	
STORAGE REGISTER 36 -SR C-		C 02.05.36.1	V3	
SWAP REGISTER		N 02.30.82.1	V5	DP
TAG ABC-		C 02.04.20.1	V3	EP
TALLY COUNTER		C 02.20.00.1	V5	SP-DP
<u>TRIGGERS AND MAJOR LINES</u>				
NAME LIGHT ALD PAGE VOL MFI				
60 CYCLE BUFFER TGR.		N 02.16.51.1	V4	AT
9 CARRY TGR.		C 02.20.07.1	V5	SP
9 OVERFLOW TGR.		C 02.20.06.1	V5	SP
A1 D1		C 02.15.01.1	V4	
A2 D1		C 02.15.02.1	V4	
A3 D1		C 02.15.03.1	V4	
A4 D1		C 02.15.04.1	V4	
A5 D1		C 02.15.05.1	V4	
AC OVERFLOW TGR.		C 02.10.41.1	V4	
ALPHA EARLY TGR.		C 02.15.33.1	V4	
ALPHA LATE TGR.		N 02.15.33.1	V4	
A0 D1		C 02.15.00.1	V4	
BETA CYCLE TGR.-MASTER BETA TGR.		C 02.15.39.1	V4	
BETA EARLY TGR.		C 02.15.33.1	V4	
BETA LATE TGR.		N 02.15.33.1	V4	
BLAST CONTROL TGR.		N 02.13.04.1	V4	
BLOCK TGR.		N 02.15.39.1	V4	
C CYCLE PARITY TRAP REQUEST TGR		N 02.13.01.1	V4	
C CYCLE REQUEST TGR		N 02.16.51.1	V4	AT
C CYCLE REQUEST TGR.		N 02.16.51.1	V4	AT

NAME	LIGHT	ALD	PAGE	VOL	MFI	NAME	LIGHT	ALD	PAGE	VOL	MFI
C REQUEST INTERLOCK TGR.	N	02.16.51.1	V4	AT		MEMORY PROTECT COMPARE UNEQUAL	N	02.16.04.1	V4	MP	
CHANNEL CHECK A	C	03.30.03.1	V6			MEMORY PROTECT MODE TGR.	C	02.16.05.1	V4	MP	
CHANNEL CHECK BCDE	C	06.15.02.1	V7			MEMORY PROTECT VIOLATION TGR.	N	02.16.05.1	V4	MP	
CHANNEL IN USE A	C	02.10.06.1	V4			MPY ADD RIGHT TGR	N	02.10.21.1	V4		
CHANNEL IN USE BCDE 06.20.02.1	C	02.10.06.1	V7-V4	CH-		MPY-DIV TGR	N	02.10.20.1	V4		
CHANNEL SELECT A	N	02.04.48.1	V3			MQ C -WORD EVEN TGR.-	C	03.30.02.1	V6		
CHANNEL SELECT B	N	02.04.48.1	V3	CHB		OSCILLATOR - CLOCK	N	02.15.17.1	V4		
CHANNEL SELECT C	N	02.04.49.1	V3	CHC		PARITY CHECK-PARITY ERROR TGR.-	C	02.05.45.1	V3		
CHANNEL SELECT D	N	02.04.49.1	V3	CHD		PARITY ERROR TGR.	C	02.05.45.1	V3		
CHANNEL SELECT E	N	02.04.49.1	V3	CHE		PARITY INHIBIT-PARITY MODE TGR-	C	02.13.03.1	V4		
CHANNEL TRAP CONTROL TGR.	C	02.13.03.1	V4			PARITY MODE TGR.-PARITYINHIBIT-	C	02.13.03.1	V4		
CHANNEL TRAP TGR.	N	02.13.06.1	V4			PARITY TRAP TGR.	N	02.13.06.1	V4		
CLASS ADDRESSES	N	02.04.42.1	V3			PARTIAL STORE TGR.	N	02.15.34.1	V4		
CLEAR TGR.	N	02.14.04.1	V4			POD 10, 12, 14, 16, 1X, X2	N	02.04.01.1	V3		
CLOCK A0 - A1 - A2	N	02.15.18.1	V4			POD 24, 26	N	02.04.02.1	V3	SP	
CLOCK GATE TGR.	N	02.15.16.1	V4			POD 20, 22, X4	N	02.04.02.1	V3		
CLOCK OSCILLATOR	N	02.15.17.1	V4			POD 32, 34, 36, X6	N	02.04.03.1	V3		
DIRECT DATA TRAP TGR.	N	02.13.06.1	V4			POD 30	N	02.04.03.1	V3		
DISPLAY STORAGE TGR.	N	02.14.03.1	V4			POD 40, 42	N	02.04.04.1	V3		
DIV CHECK TGR	C	02.10.22.1	V4			POD 53	N	02.04.05.1	V3	EP	
DOUBLE PRECISION FLOAT PT TRAP	TN	02.20.41.1	V5	SP		POD 50,52, 54, 56, 5X	N	02.04.05.1	V3		
E CYCLE PARITY TRAP REQUEST TGR	N	02.13.01.1	V4			POD 63	N	02.04.06.1	V3	EP	
E LATE TGR.	N	02.15.30.1	V4			POD 60, 62, 64, 66, 6X	N	02.04.06.1	V3		
EARLY C REQUEST TGR.	N	02.16.51.1	V4	AT		POD 70, 72, 74, 76, 7X	N	02.04.07.1	V3		
END OPERATION	N	02.15.35.1	V4			POD 07	N	02.04.00.1	V3	EP	
END OPERATION TGR.	N	02.15.39.1	V4			POD 00, 02, 06, 0X, X0	N	02.04.00.1	V3		
END OPERATION-FLOATING POINT	N	02.20.09.1	V5	SP		POSITION REGISTER F-IA TGR.-	C	02.10.65.1	V4		
ENTER INSTRUCTION TGR.	N	02.14.03.1	V4	EP		PRE IA TGR.	N	02.10.65.1	V4		
ENTER STORAGE TGR.	N	02.14.03.1	V4			PRIVILEGED INSTRUCTION TGR.	N	02.13.04.1	V4		
FIRST C CYCLE COMPLETE TGR.	N	02.16.53.1	V4	AT		PROGRAM RESET TGR.	N	02.14.20.1	V4		
FIRST C CYCLE DELAYED TGR.	N	02.16.54.1	V4	AT		PROGRAM STOP TGR.	C	02.14.06.1	V4		
FIRST C LATE TGR.	N	02.16.53.1	V4	AT		PULSE MODE BETA 1D1 DELAYED TGR	N	02.15.16.1	V4		
FIRST E TIME	N	02.15.39.1	V4	DP		PULSE MODE LATCH TGR.	N	02.15.16.1	V4		
FLOATING POINT TRAP TGR.	N	02.13.06.1	V4	SP		Q CARRY TGR.	C	02.10.41.1	V4		
FLOATING POINT 2 TGR.	C	02.20.06.1	V5	DP		READY LIGHT	C	02.14.06.1	V4		
FLOATING POINT 1 TGR.	C	02.20.07.1	V5	SP		RESET I TGR.	N	02.14.04.1	V4		
FLOATING POINT-END OPERATION	N	02.20.09.1	V5	SP		RESET II TGR.	N	02.14.04.1	V4		
FP FLAG 14 TGR.-TRAP REQUEST	N	02.20.40.1	V5	SP		SECOND E TIME	N	02.15.39.1	V4	DP	
FP FLAG 15 TGR.-AC-MQ OVERFLOW	N	02.20.40.1	V5	SP		SINGLE CYCLE TGR.	N	02.14.03.1	V4		
FP FLAG 16 TGR.-AC OVER OR UNDERN	02.20.40.1	V5	SP			SINGLE INSTRUCTION TGR.	N	02.14.02.1	V4		
FP FLAG 17 TGR.-MQ OVER OR UNDERN	02.20.41.1	V5	SP			SKIP SYNC TGR.	N	02.10.74.1	V4		
GO TO C	N	02.16.52.1	V4	AT		SOD	N	02.04.45.	V3		
GO TO E	N	02.15.34.1	V4			STACKED PARITY TRAP REQUEST TGR	N	02.13.01.1	V4		
GO TO L	N	02.15.34.1	V4			START TGR.	N	02.14.02.1	V4		
HB III TGR.-PREVENTS DIV OP.-	N	02.10.22.1	V4			STOP TGR. -MASTER	C	02.14.05.1	V4		
I LATE TGR.	N	02.15.30.1	V4			STOP TGR.-PROGRAM-	C	02.14.06.1	V4		
I OR IA PARITY TRAP REQUEST TGR	N	02.13.01.1	V4			STORAGE BUS	N	02.05.00.1	V3		
IA TGR. -POSITION REGISTER F-	C	02.10.65.1	V4			STORAGE REGISTER 36 -SR C-	C	02.05.36.1	V3		
I-O CHECK TGR.	C	02.10.74.1	V4			STORE CYCLE TGR	N	02.12.50.1	V4		
INSTRUCTION COUNTER OVERFLOW	N	02.14.20.1	V4			TALLY COUNTERS	C	02.20.00.1	V5	SP-DP	
INTERVAL TIMER TRAP TGR.	N	02.13.05.1	V4			TAPE SENSE TGR.	N	02.15.36.1	V4		
IT BLAST REQUEST TGR.	N	02.16.54.1	V4	AT		TMT READ EARLY	N	02.10.90.1	V4	EP	
IT OVERFLOW TGR.	N	02.16.54.1	V4	AT		TMT READ LATE	N	02.10.90.1	V4	EP	
IT OVERFLOW TRAP REQUEST TGR.	N	02.16.54.1	V4	AT		TRAP CONTROL TGR.-TRAP INHIBIT-	C	02.13.03.1	V4		
L LATE TGR.	N	02.15.30.1	V4			TRAP INHIBIT-TRAP CONTROL TGR.-	C	02.13.03.1	V4		
LAST TGR.	N	02.14.04.1	V4			UNITS ADDRESS 6,7,10,11,12,14	N	02.04.41.1	V3		
LOAD 2 TGR.	N	02.14.06.1	V4			UNITS ADDRESS 0-5	N	02.04.40.1	V3		
LOAD TGR.	N	02.14.04.1	V4			X CARRY TGR.	C	02.10.41.1	V4		
MASTER BETA TGR.-BETA CYCLE TGR.C	02.15.39.1	V4									
MASTER C CYCLE TGR.	N	02.16.52.1	V4	AT							
MASTER E TGR.	C	02.15.30.1	V4								
MASTER I TGR.	C	02.15.30.1	V4								
MASTER L TGR.	C	02.15.30.1	V4								
MASTER STOP TGR.	C	02.14.05.1	V4								
MEMORY PROTECT TRAP TGR.	N	02.13.05.1	V4								

7106 CORE STORAGE UNIT

MFI CODES

A1 4K MEMORIES ONLY
 A2 8K MEMORY ADDITIONS
 A3 16K MEMORY ADDITIONS
 A4 32K MEMORY ADDITIONS

DRIVERS, REGISTERS, AND MAJOR LINES

NAME	LIGHT	ALD	PAGE	VOL	MFI
CLOCK - READ-WRITE	N	01.10.10.1	V1		
INHIBIT DRIVERS	N	01.20.10.1	V1		
MEMORY ADDRESS REGISTER	N	01.11.07.1	V1		
MEMORY DATA REGISTER	N	01.19.01.1	V1		
READ-WRITE CLOCK	N	01.10.10.1	V1		
SENSE AMPLIFIERS	N	01.18.10.1	V1		
X GATES	N	01.16.01.1	V1		
X READ DRIVERS	N	01.14.10.1	V1		
X WRITE DRIVERS	N	01.14.10.1	V1		
Y GATES	N	01.17.10.1	V1		
Y READ DRIVERS	N	01.15.10.1	V1		
Y WRITE DRIVERS	N	01.15.10.1	V1		

7107 CORE STORAGE UNIT

MFI CODES

B1 8K MEMORIES ONLY
 B2 16K MEMORY ADDITIONS
 B3 32K MEMORY ADDITIONS

DRIVERS, REGISTERS, AND MAJOR LINES

NAME	LIGHT	ALD	PAGE	VOL	MFI
MEMORY ADDRESS REGISTER	N	01.11.01.1	V1		
MEMORY DATA REGISTER 00-39	N	01.19.01.1	V1		
MEMORY DATA REGISTER 40-73	N	01.19.11.1	V1		B4
SENSE AMPLIFIERS 00-37	N	01.18.01.1	V1		
SENSE AMPLIFIERS 38-76	N	01.18.10.1	V1		B4
X GATES	N	01.16.00.1	V1		
X MATRIX SWITCH DECODE	N	01.12.01.1	V1		
X SELECT GATE DRIVERS	N	01.16.09.1	V1		
Y DRIVERS	N	01.15.01.1	V1		
% DRIVERS	N	01.14.01.1	V1		
Y GATES	N	01.16.00.1	V1		
Y MATRIX SWITCH DECODE	N	01.13.01.1	V1		
Y SELECT GATE DRIVERS	N	01.17.09.1	V1		
Z DRIVERS 36-72	N	01.20.04.1	V1		B4
Z DRIVERS 00-35	N	01.20.01.1	V1		

CHANNEL A

MFI CODES

U0 INTERFACE 0 ADAPTER FOR 1414 TAPE
 U3 INTERFACE 3 ADAPTER FOR 1414 CARD MACHINES
 U5 INTERFACE 5 ADAPTER FOR 1401
 UR INTERFACE 3 ADAPTER FOR 1622
 U03 CIRCUITS COMMON TO 1414 TAPE AND 1414 CARD MACHINES
 U05 CIRCUITS COMMON TO 1414 TAPE AND 1401
 U35 CIRCUITS COMMON TO 1414 CARD MACHINES AND 1401
 UR0 CIRCUITS COMMON TO 1414 TAPE AND 1622
 UR3 CIRCUITS COMMON TO 1414 CARD MACHINE AND 1622
 UR03 CIRCUITS COMMON TO 1414 TAPE, 1414 CARD MACHINES, AND 1622
 UR35 CIRCUITS COMMON TO 1414 CARD MACHINES, 1401, AND 1622

TRIGGERS AND MAJOR LINES

NAME	LIGHT	ALD	PAGE	VOL	MFI
1401 ATTENTION TGR. -ENABLE-	N	03.05.06.1	V6		U5
1401 ATTENTION-ATT SYNC TGR.	P	03.05.06.1	V6		U5
1401 END TGR.	P	03.05.06.1	V6		U5
1401 INSTRUCTION TRANSFER	P	03.05.07.1	V6		U5
1401 READY TGR.	P	03.05.05.1	V6		U5
1401 SENSE BUSY	P	03.05.08.1	V6		U5
1401 SENSE INDICATOR TGR.	N	03.05.09.1	V6		U5
1401 SERVICERESPONSE-IN OR OUT-	P	03.05.07.1	V6		U5
ALLOW ERROR TGR.	P	03.00.07.1	V6		U0
ATTENTION SYNC TGR.	N	03.03.15.1	V6		U3
ATTENTION SYNC TGR.	P	03.05.06.1	V6		U5
BACKSPACE-REWIND TGR.	P	03.00.08.1	V6		U0
BINARY MODE TGR.	P	03.10.06.1	V6		
BLOCK WRITE SOLENOID TGR.	P	03.04.05.1	V6		
BUFFER ATTENTION TGR.	P	03.03.15.1	V6		UR3
BUFFER GO TGR.	P	03.03.10.1	V6		U3
BUSY STATUS TGR	P	03.00.10.1	V6		U0
C BIT TRANSLATOR	N	03.30.05.1	V6		
C1 -STROBE TGR.-	P	03.20.01.1	V6		
C2 -STROBE TGR.-	P	03.20.01.1	V6		
C3 -STROBE TGR.-	P	03.20.01.1	V6		
CARD MACHINE SELECT	N	03.03.01.1	V6		U3
CARRIER RETURN TGR.	P	03.04.04.1	V6		
CHANNEL IN OPERATION TGR.	P	03.10.02.1	V6		
CHANNEL IN USES TGR.	P	03.10.02.1	V6		
CONTROL TGR.	P	03.10.05.1	V6		
DISCONNECT DELAY TGR.	P	03.20.02.1	V6		
DISCONNECT SYNC TGR.	P	03.10.10.1	V6		
DISCONNECT TGR.	P	03.10.10.1	V6		
ENABLE ATTENTION TGR.	P	03.30.06.1	V6		
ENABLE END TGR.	P	03.30.06.1	V6		
ENABLE PARITY TGR.	P	03.30.06.1	V6		
ENABLE UNIT RECORD-ENB BU INT T	P	03.30.06.1	V6		
END OPERATION CONTROL TGR.	P	03.10.03.1	V6		
END OPERATION TGR	P	03.10.03.1	V6		
END SELECT-SELECT END TGR.	P	03.00.08.1	V6		U0
END TRAP TGR.	P	03.30.07.1	V6		
END-OF-FILE TGR.	P	03.30.04.1	V6		
END-OF-RECORD TGR.	P	03.10.10.1	V6		
END-OF-TAPE TGR.	P	03.30.04.1	V6		
ERASE CONTROL TGR.	P	03.00.10.1	V6		U0
ERASE CONTROL TGR.	P	03.10.11.1	V6		
FILL MQ TGR.	P	03.00.07.1	V6		U0
FIRST CHARACTER TAPEMARK TGR.	P	03.03.10.1	V6		U3
FORMS DELAY 1 TGR.	P	03.03.10.1	V6		
FORMS DELAY 2 TGR.	P	03.03.10.1	V6		U3
GO TO U TGR.	P	03.20.10.1	V6		
IN MODE TGR.	P	03.03.12.1	V6		U3
INHIBIT TGR.	P	03.10.09.1	V6		
INHIBIT WR. SOLENOID-BLK WR SOL	P	03.04.05.1	V6		
INITIAL WORD COUNT ZERO TGR.	P	03.10.06.1	V6		
INITIAL ZERO-INIT WC ZERO TGR.	P	03.10.06.1	V6		
INSTRUCTION DECODING	N	03.10.01.1	V6		
INSTRUCTION TRANSFER TGR.	P	03.05.07.1	V6		U5
INTERFACE 0	N	03.00.02.0	V6		U0
INTERFACE 1 TGR. -BINARY-	P	03.10.07.1	V6		
INTERFACE 2 TGR. -BINARY-	P	03.10.07.1	V6		
INTERFACE 3 WITH 1414 CARD MACH	N	03.03.30.0	V6		U3
INTERFACE 3 WITH 1622	N	03.03.31.0	V6		UR
INTERFACE 4	N	03.04.40.0	V6		
INTERFACE 4 TGR. -BINARY-	P	03.10.07.1	V6		
INTERFACE 5	N	03.05.50.0	V6		U5
KA THRU KE INSTRUCTIONS -1401-	N	03.05.04.1	V6		U5
LAST CARD TGR.	N	03.03.24.1	V6		UR
MQ C -WORD EVEN TGR.-	C	03.03.02.1	V6		

NAME	LIGHT	ALD	PAGE	VOL	MF1
OUT MODE TGR.	P	03.03.12.1	V6		U3
OUTPUT RESPONSE TGR.	N	03.05.07.1	V6		U5
PAPER TAPE READER BUSY TGR.	-PTRP	03.03.14.1	V6		UR3
PARITY CIRCUITS	N	03.30.01.1	V6		
POSITION 13 EQUAL ONE TGR.	N	03.03.16.1	V6		U3
POSITION 13 EQUAL ZERO TGR.	N	03.03.16.1	V6		U3
PRINTER BUSY TGR. -PR-	P	03.03.14.1	V6		UR3
PUNCH BUSY TGR. -PU-	P	03.03.14.1	V6		UR3
PUNCH DELAY TGR.	N	03.03.22.1	V6		UR
READ DELAY 1 TGR.	N	03.03.24.1	V6		UR
READ DELAY 2 TGR.	N	03.03.24.1	V6		UR
READ END TGR.	P	03.03.24.1	V6		UR
READ GATE TGR.	P	03.03.23.1	V6		UR
READ SERVICE REQUEST TGR.	N	03.03.23.1	V6		UR
READ TGR.	P	03.10.04.1	V6		
READ TRANSLATOR	N	03.20.04.1	V6		
READER BUSY TGR. -RD-	P	03.03.14.1	V6		UR3
SELECT 1 TGR.	P	03.03.09.1	V6		U3
SELECT 2 TGR.	P	03.03.09.1	V6		U3
SELECT 3 TGR.	P	03.03.09.1	V6		U3
SELECT DATA TRANSMISSION UNIT TGR	P	03.03.07.1	V6		U3
SELECT END TGR.	P	03.00.08.1	V6		U0
SELECT INTERFACE ZERO TGR.	P	03.10.08.1	V6		
SELECT PAPER TAPE READER TGR	P	03.03.08.1	V6		U3
SELECT PRINTER TGR.	P	03.03.06.1	V6		U3
SELECT PUNCH TGR.	P	03.03.07.1	V6		UR3
SELECT READER TGR.	P	03.03.06.1	V6		UR3
SELECT REMOTE INQUIRY TGR.	P	03.03.08.1	V6		U3
SELECT TTY TGR	P	03.03.07.1	V6		U3
SENSE BUSY TGR.	P	03.05.08.1	V6		U5
SENSE INDICATOR TGR.	N	03.05.10.1	V6		U5
SENSE TGR.	P	03.10.05.1	V6		U6
SERVICE REQUEST PRINT	P	03.04.05.1	V6		
SERVICE REQUEST SPACE	P	03.04.05.1	V6		
SERVICE RESPONSE WRITE TGR.	P	03.03.23.1	V6		UR
SERVICE RESPONSE -IN OR OUT-	P	03.05.07.1	V6		U5
SOLENOID DRIVERS	N	03.04.01.1	V6		
SR LOADED TGR.	P	03.20.09.1	V6		
SR REQUEST 1 TGR.	P	03.20.09.1	V6		
SR REQUEST 2 TGR.	P	03.20.09.1	V6		
STROBE C1 TGR.	P	03.20.01.1	V6		
STROBE C2 TGR.	P	03.20.01.1	V6		
STROBE C3 TGR.	P	03.20.01.1	V6		
STROBE GENERATE TGR.	P	03.20.01.1	V6		
SYNC 1 TGR.	P	03.20.02.1	V6		
SYNC 2 TGR.	P	03.20.02.1	V6		
TAPE BUSY-BUSY STATUS TGR.	P	03.00.10.1	V6		U0
TAPE UNIT SELECT 0-9	N	03.00.01.1	V6		U0
TRANSLATOR-C BIT	N	03.30.05.1	V6		
TRANSLATOR-READ	N	03.20.04.1	V6		
TRANSLATOR-WRITE	N	03.20.05.1	V6		
TRAP PRIORITY TGR.	P	03.30.09.1	V6		
TYPEWRITER CIRCUITS	N	03.04.42.0	V6		
TYPEWRITER DATA REGISTER	N	03.04.06.1	V6		
TYPEWRITER SOLENOID DRIVERS	N	03.04.01.1	V6		
U END TRAP TGR.	P	03.30.10.1	V6		
U LATE TGR.	P	03.20.10.1	V6		
WORD COUNT ZERO TGR.	P	03.10.11.1	V6		
WORD EVEN TGR. -MQ C-	C	03.30.02.1	V6		
WORD PARITY TGR.	P	03.30.07.1	V6		
WRITE CALL-WRITE GATE TGR.	P	03.03.23.1	V6		UR
WRITE END-OF-RECORD DELAY TGR.	N	03.03.22.1	V6		UR

NAME	LIGHT	ALD	PAGE	VOL	MF1
RITE END-OF-RECORD TGR.	N	03.03.22.1	V6		UR
RITE GATE TGR.	P	03.03.23.1	V6		UR
RITE GATE TGR.	P	03.10.09.1	V6		
RITE SERVICE RESP.-SVC RES WR	P	03.03.23.1	V6		UR
RITE TGR.	P	03.10.04.1	V6		
RITE TRANSLATOR	N	03.20.05.1	V6		

904 CHANNELS B, C, D, AND E

MF1 CODES

DD	DIRECT DATA
DDC	DIRECT DATA WITH C LEVEL INTERFACE
DDN	DIRECT DATA WITH N LEVEL INTERFACE
DDN4	DIRECT DATA TO ANOTHER 7040/44 SYSTEM
DDN9	DIRECT DATA TO A 7090/94 SYSTEM
SI	STANDARD INTERFACE FEATURE
TI	TAPE INTERFACE FEATURE
TIDD	TAPE INTERFACE AND/OR DIRECT DATA
TISI	TAPE INTERFACE AND/OR DIRECT DATA

REGISTERS

NAME	LIGHT	ALD	PAGE	VOL	MF1
ADDRESS REGISTER			P 06.13.00.1	V7	
ASSEMBLY REGISTER			P 06.11.20.1	V7	TISI
C BIT-CHANNEL DATA REGISTER			P 06.10.12.1	V7	
CHANNEL ADDRESS REGISTER			P 06.13.00.1	V7	
CHANNEL ASSEMBLY REGISTER			P 06.11.20.1	V7	TISI
CHANNEL DATA REGISTER			N 06.10.00.1	V7	
CHANNEL DATA REGISTER C BIT			P 06.10.12.1	V7	
CHANNEL WORD COUNTER			P 06.12.00.1	V7	
DATA REGISTER			N 06.10.00.1	V7	
DATA REGISTER C BIT			P 06.10.12.1	V7	
DIRECT DATA SENSE OUTPUT REGISTER			P 06.51.04.1	V7	DD
SENSE OUTPUT REGISTER			N 06.51.04.1	V7	DD
WORD COUNTER			P 06.12.00.1	V7	

TRIGGERS AND MAJOR LINES

NAME	LIGHT	ALD	PAGE	VOL	MF1
1414 INTERFACE			N 06.03.01.0	V7	TI
ATTENTION RESPONSE TGR.			P 06.20.28.1	V7	SI
ATTENTION SYNC TGR.			P 06.16.01.1	V7	SI
ATTENTION TGR.			P 06.20.28.1	V7	SI
AWAIT FIRST BINARY CHARACTER TGRP			P 06.20.27.1	V7	TI
B CYCLE DEMAND TGR.			P 06.20.03.1	V7	
B CYCLE-CHAN B-CY TGR			P 06.20.03.1	V7	
BACKSPACE-REWIND TGR			P 06.20.11.1	V7	TI
BCD MODE TGR.			P 06.20.02.1	V7	
BUSY TGR.			P 06.20.02.1	V7	
BUSY TISI TGR.			P 06.20.12.1	V7	TISI
CHANNEL B CYCLE TGR			P 06.20.03.1	V7	
CHANNEL BUSY TGR.			P 06.20.02.1	V7	
CHANNEL CHARACTER COUNTER			P 06.17.00.1	V7	TISI
CHANNEL CLOCK			N 06.19.00.1	V7	
CHANNEL DISCONNECT TGR.			P 06.20.13.1	V7	
CHANNEL LIGHT-RDNY CHECK TGR.			P 06.15.02.1	V7	
CHANNEL READ SELECT TGR.			P 06.20.00.1	V7	
CHANNEL WORD COUNT ZERO			P 06.12.15.1		
CHANNEL WRITE SELECT TGR.			P 06.20.00.1	V7	
CONTROL SENSE-TGR 14 TGR.			P 06.40.02.1	V7	
DATA REGISTER LOADED TGR.			P 06.20.06.1	V7	
DD INTERRUPT TGR.			P 06.51.03.1	V7	DD
DD SELECT TGR			P 06.51.02.1	V7	DD

CORE STORAGE

NAME	LIGHT	ALD	PAGE	VOL	MF1
DD STATUS TGR.	P	06.52.00.1	V7	DD	
DIRECT DATA END-OF-RECORD GATE	TP	06.12.15.1	V7	DD	
DIRECT DATA INTERFACE	N	06.51.00.1	V7	DD	
DISCONNECT CALL TGR.	P	06.20.12.1	V7		
DISCONNECT SYNC TGR.	P	06.16.02.1	V7		
DISCONNECT TGR. -CHANNEL-	P	06.20.13.1	V7		
ENABLE ATTENTION TGR.	P	06.16.00.1	V7	SI	
ENABLE COLUMN WORD TRAP TGR.	P	06.16.00.1	V7		
ENABLE DIRECT DATA INTERRUPT TGRP	P	06.16.00.1	V7	DD	
ENABLE END-ENB CWT TGR.	P	06.16.00.1	V7		
ENABLE PARITY-ENB TCT TGR.	P	06.16.00.1	V7		
ENABLE TAPE CHECK TRAP TGR.	P	06.16.00.1	V7		
END RESPONSE TGR.	P	06.20.29.1	V7	SI	
END-OF-FILE SYNC TGR.	P	06.16.02.1	V7	TIDD	
END-OF-FILE TGR.	P	06.15.01.1	V7	TIDD	
FIRST B CYCLE-WRITE FIRST B CYCLP	06.20.27.1	V7			
FIRST BINARY-WAIT FIRST BIN CHAP	06.20.27.1	V7		T1	
FIRST CHARACTER TAPEMARK TGR.	P	06.15.01.1	V7	T1	
INTERFACE 1414	N	06.03.01.0	V7	T1	
INTERFACE DIRECT DATA	N	06.51.00.1	V7	DD	
INTERFACE SIMPLEX	N	06.40.00.1	V7	SI	
IO-MF END OPERATION TGR.	P	06.20.01.1	V7		
PARITY GENERATOR	N	06.18.00.1	V7	TISI	
PROGRAM INDICATOR SYNC TGR.	P	06.15.04.1	V7		
READ LAST WORD TGR.	P	06.20.14.1	V7	TISI	
READ PARITY GENERATOR TGR.	P	06.18.01.1	V7	TISI	
READ SELECT TGR.	P	06.20.00.1	V7		
READ TRANSLATOR	N	06.11.02.1	V7	TISI	
REDUNDANCY CHECK TGR.	P	06.15.02.1	V7		
REDUNDANCY CHECK-CONSOLE BCDE	C	06.15.02.1	V7		
REDUNDANCY CHECK SYNC TGR.	P	06.16.02.1	V7		
SERVICE RESPONSE TGR.	P	06.20.25.1	V7	SI	
SIMPLEX INTERFACE	N	06.40.00.1	V7	SI	
SIMPLEX INTERFACE SELECT TGR.	P	06.40.02.1	V7		
SIXTH CHARACTER TGR.	P	06.20.25.1	V7		
STOP TGR.	P	06.20.27.1	V7	SI	
TAPE END TGR.	P	06.15.00.1	V7	T1	
TAPE SELECT TGR.	06.30.00.1	V7		T1	
TAPE UNIT SELECT 0-9	N	06.30.01.1	V7	T1	
TI SI BUSY TGR.	P	06.20.12.1	V7	TISI	
TRANSLATOR-READ	N	06.11.02.1	V7	TISI	
TRANSLATOR-WRITE	N	06.11.05.1	V7	TISI	
TRANSMISSION LOSS TGR.	P	06.20.10.1	V7		
TRAP PRIORITY TGR.	P	06.16.03.1	V7		
TRIGGER 14 TGR.	P	06.40.02.1	V7		
UNUSUAL END SYNC TGR.	P	06.16.01.1	V7		
UNUSUAL END TGR.	P	06.20.29.1	V7		
WORD COUNT ZERO	P	06.12.15.1	V7		
WORD PARITY ERROR TGR.	P	06.18.02.1	V7		
WORD PARITY SYNC TGR.	P	06.16.01.1	V7		
WRITE FIRST B CYCLE TGR.	P	06.20.27.1	V7		
WRITE FIRST WORD TGR.	P	06.20.24.1	V7	TISI	
WRITE ODD COUNT TGR.	P	06.18.02.1	V7	TISI	
WRITE SELECT TGR.	P	06.20.00.1	V7		
WRITE TRANSLATOR	N	06.11.05.1	V7	TISI	

MEMORY PROTECT

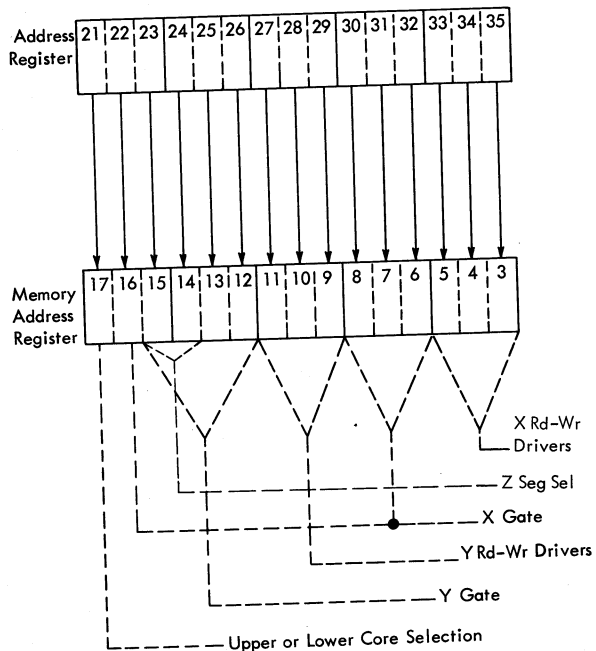
The number of locations protected:

Count Register	Trap* on Equal	Trap* on Unequal
33 to 35	32 = 1	32 = 0
7	400 ₈	77,400 ₈
6	1,000 ₈	77,000 ₈
5	2,000 ₈	76,000 ₈
4	4,000 ₈	74,000 ₈
3	10,000 ₈	70,000 ₈
2	20,000 ₈	60,000 ₈
1	40,000 ₈	40,000 ₈
0	100,000 ₈	0 ₈

* Memory is protected when machine traps.

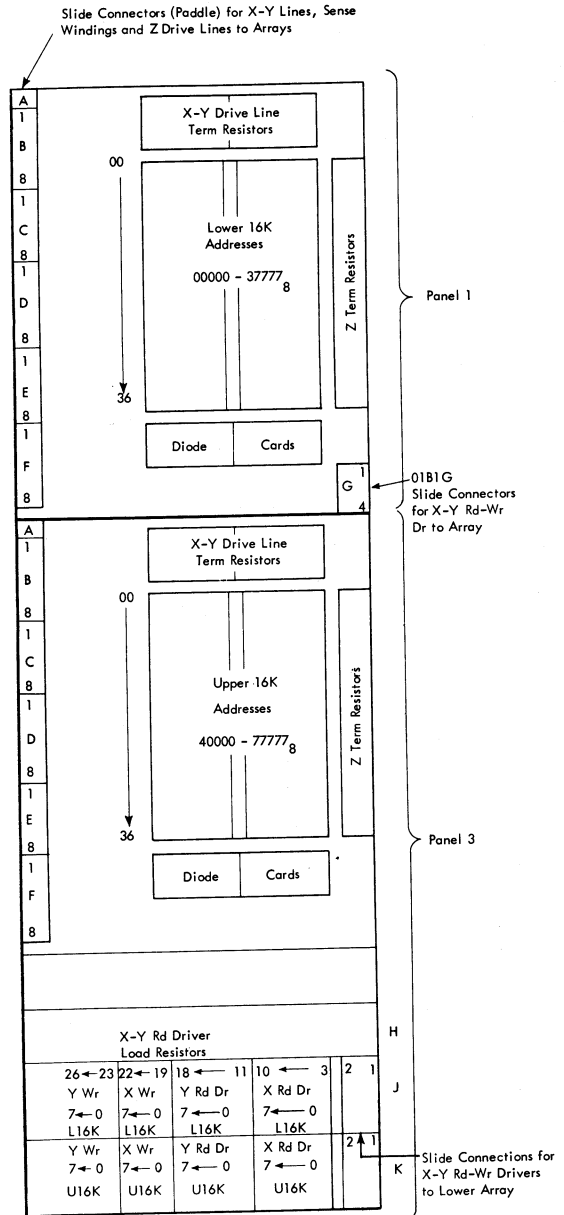
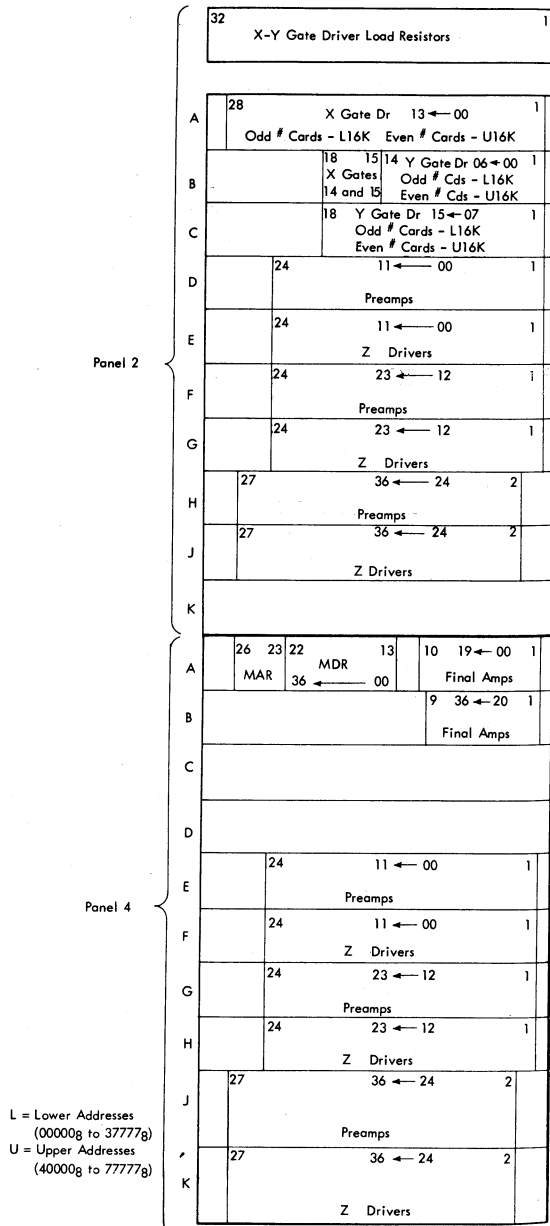
7106 CORE STORAGE

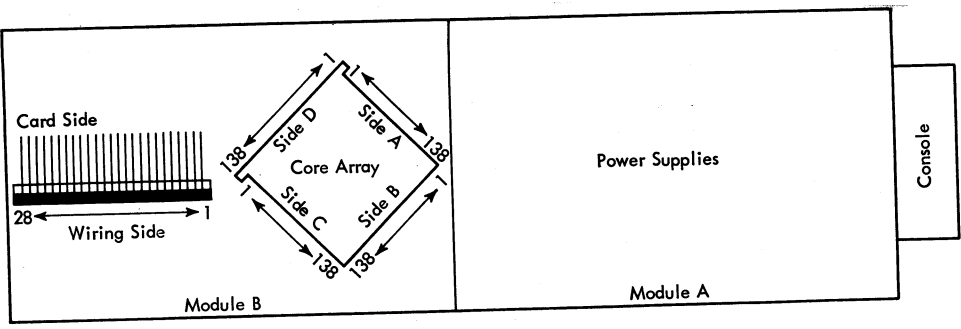
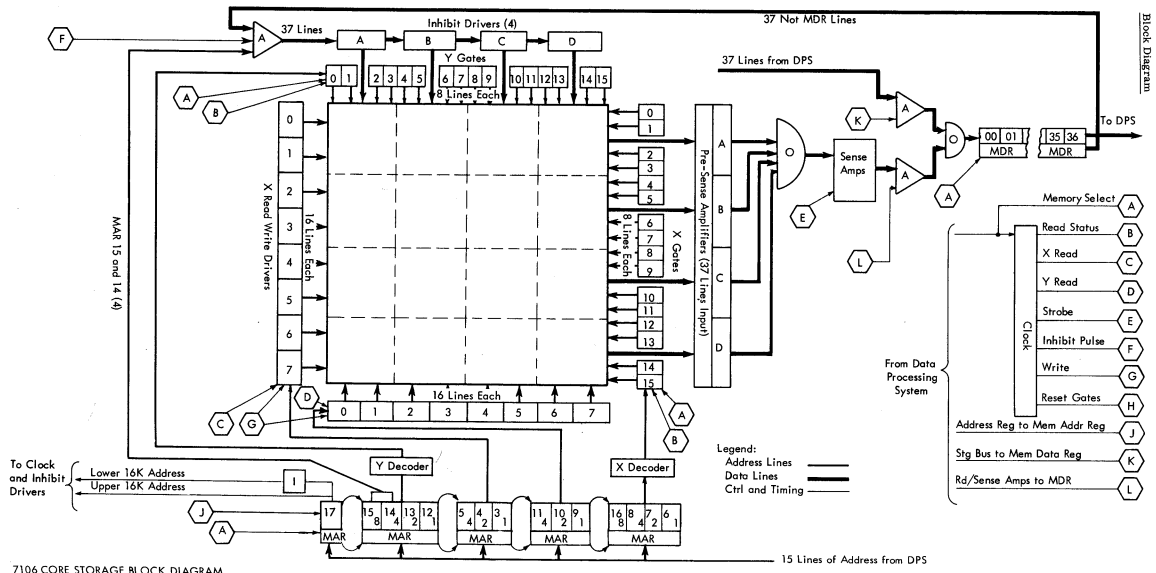
7106 MAR Bit Arrangement



7106 MAR Bit Arrangement

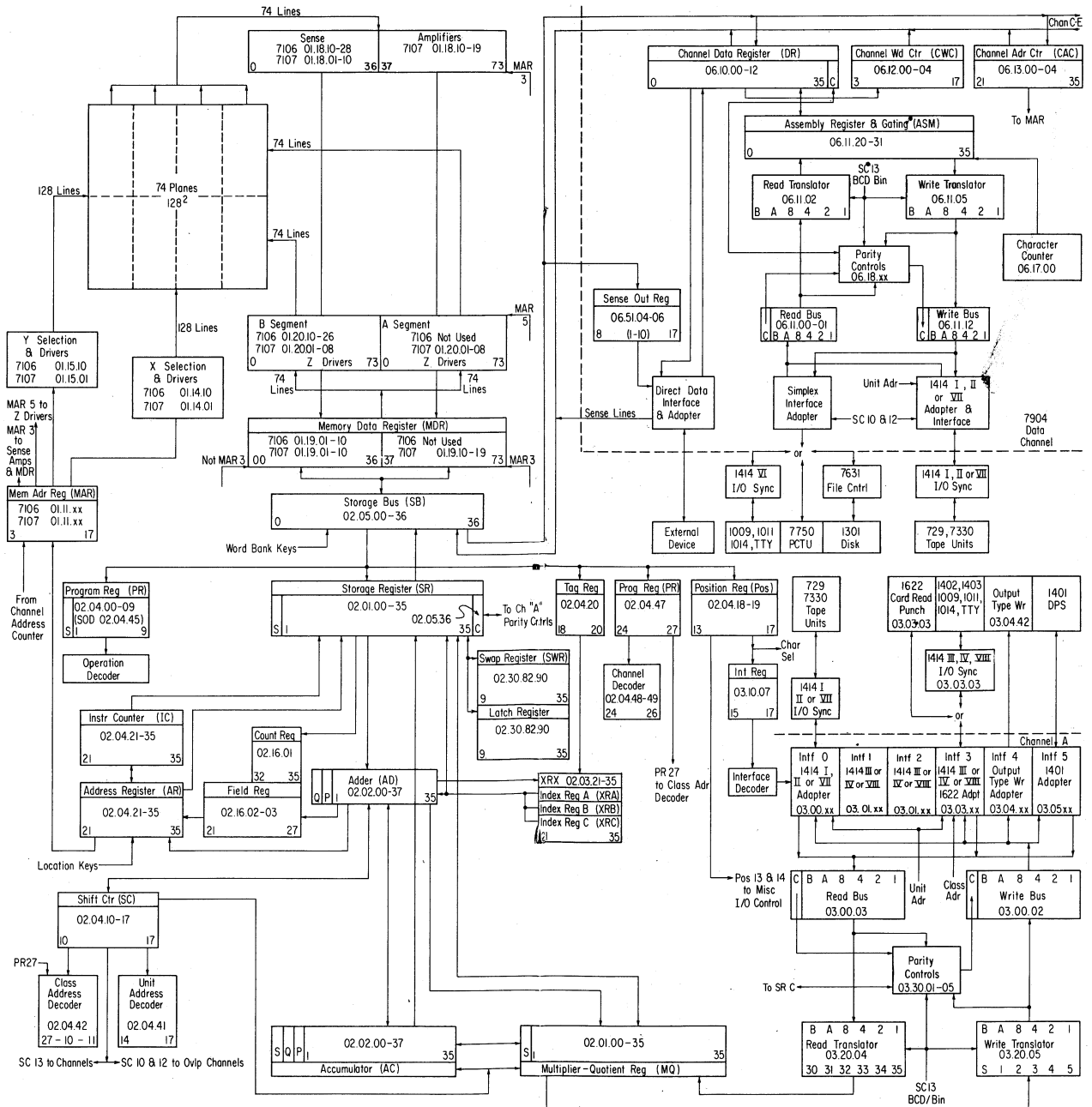
Card Locations

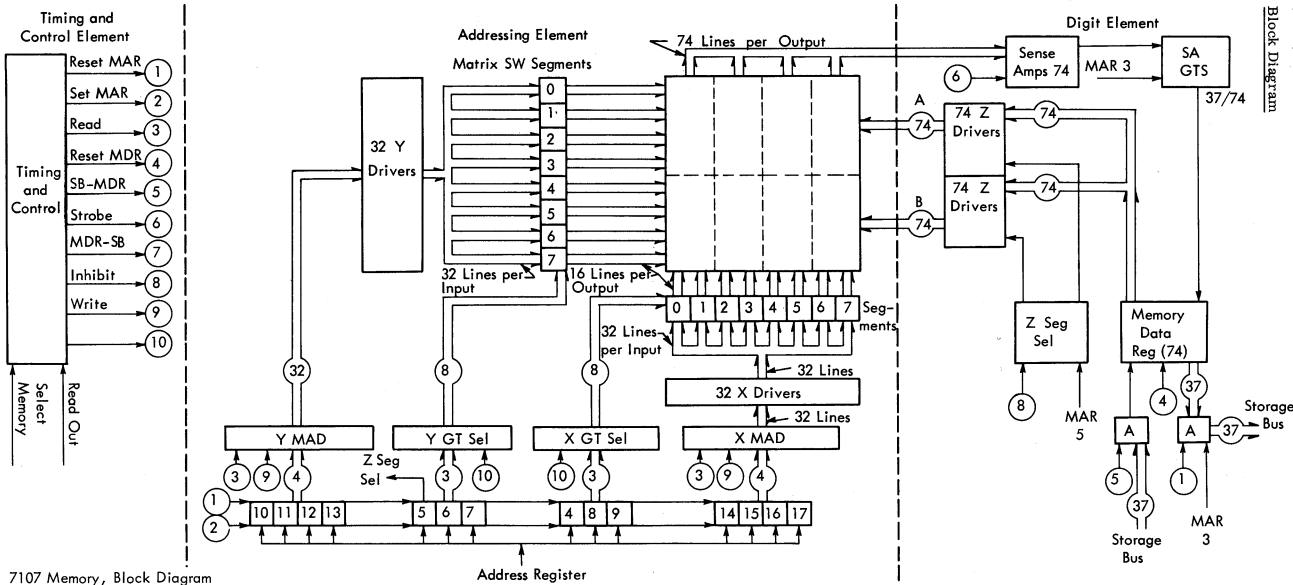




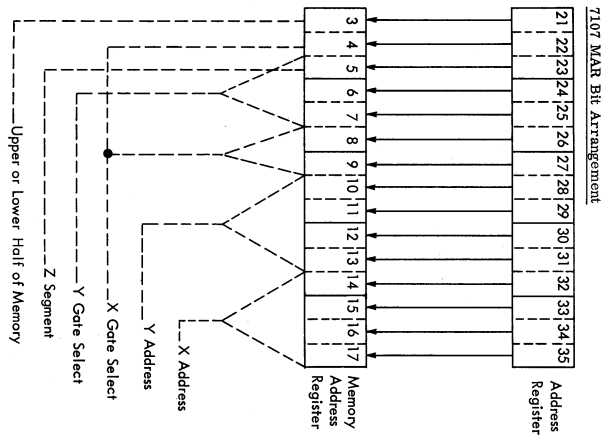
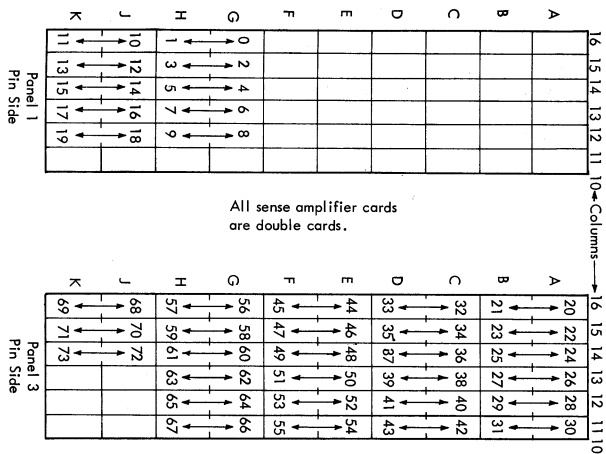
Physical Layout

Photographs showing the physical layout of the 7106 Core Storage are in the 7106 Core Storage Customer Engineering Instruction-Reference Manual.





7107 Memory, Block Diagram



First Level MAD Decoding

X or Y Address	MAD Levels Active					
0000	2	4	6	8	10	12
0001	1	3	5	8	10	12
0010	1	4	6	7	9	12
0011	2	3	5	7	9	12
0100	2	3	6	7	10	11
0101	1	4	5	7	10	11
0110	1	3	6	8	9	11
0111	2	4	5	8	9	11
1000	2	4	5	8	9	11
1001	1	3	6	8	9	11
1010	1	4	5	7	10	11
1011	2	3	6	7	10	11
1100	2	3	5	7	9	12
1101	1	4	6	7	9	12
1110	1	3	5	8	10	12
1111	2	4	6	8	10	12

X Addresses
Memory Address Register Positions 14, 15, 16,
and 17

Y Addresses
Memory Address Register Positions 10, 11, 12,
and 13

Second Level MAD

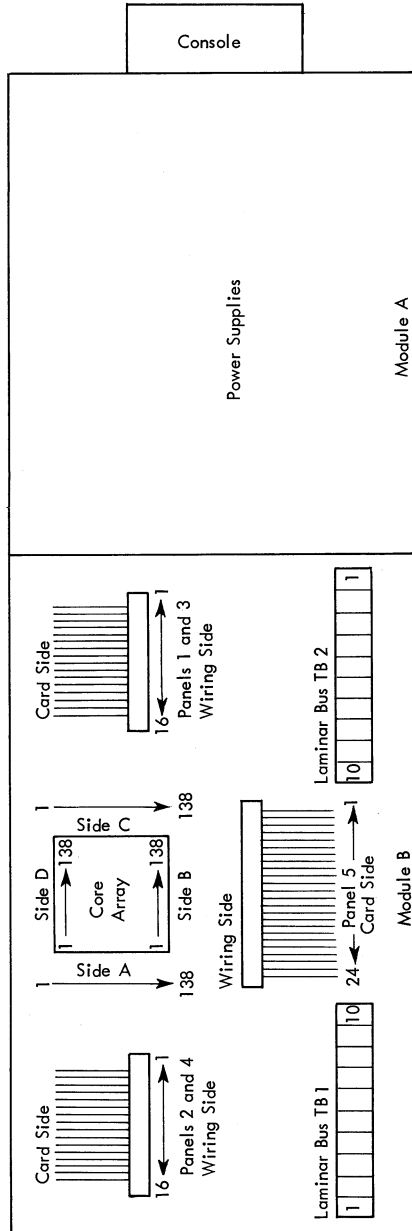
The output of the second level MAD circuits are primary 16 pairs. One line of each pair is active during read, while the other line is active during write. Which line of the pair is active for read or write is determined by first and second level MAD switching. The output lines are numbered 1 through 16 and NOT 1 through NOT 16. Hence, either 1 or NOT 1, 2 or NOT 2, etc. is active for each read. If 1 is active at read time, then NOT 1 is active at write time.

The following chart shows the lines 1 through 16 that are active during read time.

Second Level MAD Decoding - Read

X or Y Address	MAD Primary Levels Active for Read															
	1	2	3	4	5	6	7	8	9	10	11	12	13	14	15	16
0000	1	2	3	4	5	6	7	8	9	10	11	12	13	14	15	16
0001	1	N2	3	N4	5	N6	7	N8	9	N10	11	N12	13	N14	15	N16
0010	1	2	N3	N4	5	6	N7	N8	9	10	N11	N12	13	14	N15	N16
0011	1	N2	N3	4	5	N6	N7	8	9	N10	N11	12	13	N14	N15	16
0100	1	2	3	4	N5	N6	N7	N8	9	10	11	12	N13	N14	N15	N16
0101	1	N2	3	N4	N5	6	N7	8	9	N10	11	N12	N13	14	N15	16
0110	1	2	N3	N4	N5	N6	7	8	9	10	N11	N12	N13	N14	15	16
0111	1	N2	N3	4	N5	6	7	N8	9	N10	N11	12	N13	14	15	N16
1000	1	2	3	4	5	6	7	8	N9	N10	N11	N12	N13	N14	N15	N16
1001	1	N2	3	N4	5	N6	7	N8	N9	10	N11	12	N13	14	N15	16
1010	1	2	N3	N4	5	6	N7	N8	N9	N10	11	12	N13	N14	15	16
1011	1	N2	N3	4	5	N6	N7	8	N9	10	11	N12	N13	14	15	N16
1100	1	2	3	4	N5	N6	N7	N8	N9	N10	N11	N12	13	14	15	16
1101	1	N2	3	N4	N5	6	N7	8	N9	10	N11	12	13	N14	15	N16
1110	1	2	N3	N4	N5	N6	7	8	N9	N10	11	12	13	14	N15	N16
1111	1	N2	N3	4	N5	6	7	N8	N9	10	11	N12	13	N14	N15	16

Physical Layout



7107 Physical Layout

POWER SUPPLY

TEST POINTS AND TOLERANCES

Power Supply	Check at Laminar Bus Terminal	Tolerance * * *	Ripple
Frame B			
+60v	7*, 8*, 8	**	0.60v
-32v	5*	± 2.56v	---
+12v	5, 4*	± 0.48v	0.12v
+12v Z	7	± 0.48v	0.12v
-12v M	6*	± 0.48v	0.12v
-12v	4, 6, 3*	± 0.48v	0.12v
+6v	3, 2*	± 0.24v	0.06v
-6v	2	± 0.24v	0.06v
Frames C, D, and E			
+12	5	± 0.48v	0.12v
+12	6	± 0.48v	0.12v
-12M	9	± 0.48v	0.12v
-12	10	± 0.48v	0.12v
+6	1	± 0.24v	0.06v
+6	2	± 0.24v	0.06v

* Denote 7044 terminal designations.

** Refer to 7040/7044 Core Storage Manual for recommendations.

*** Tolerance includes ripple

CHANNEL A INDICATORS INPUT - OUTPUT

28	27	26	25	24	23	22	21	20	19	18	17	16	15	14	13	12	11	10	9	8	7	6	5	4	3	2	1
Enb Att	Enb Unit Rcd	Enb Par	Enb End				Inh		Wr Gate			EOF	EOT					Bin Mode		Read	Write	Sen	ChI		IFR 4	IFR 2	IFR 1
30.06	30.06	30.06	30.06				10.09		10.09				30.04	30.04				10.06		10.04	10.04	10.05	10.05		10.7	10.7	10.7
		Word Par	End Trap		Strobe Gen	C1	C2	C3	Sync 1	Sync 2					Fill MQ			Carr Ret	Inh Wr Sol	SVC Req PR	SVC Req SP				Sel IF 0		
		30.07	30.07		20.01	20.01	20.01	20.01	20.02	20.02					10.11			04.04	04.05	04.05	04.05				10.08		
Trap PRI			U End Trap		Disc Dly	Disc Sync	Disc		Ch in Use	Ch in Oper		End Op ClI	End Op		WC Zero	Init Zero		SR Req 1	SR Req 2		SR LDD		GO to U	U Late			
30.09			30.10		20.02	10.10	10.10		10.02	10.02		10.03	10.03		10.11	10.06		20.09	20.09		20.09		20.10	20.10			

53

EOR D17Q 10.10
Word Even F17Q 30.02
RC A15Q 30.03

Name
Name
Name
MFI
Page

01D4
(03.XX.YY.1)

28	27	26	25	24	23	22	21	20	19	18	17	16	15	14	13	12	11	10	9	8	7	6	5	4	3	2	1	
									1401 Sense Busy U5	1401 End U5		Allow Error U0	Busy Status U0	Form Dly 1 U3	Form Dly 2 U3		Rd Busy IF-3 UR3	PU Busy IF-3 UR3	PR Busy IF-3 U3	PTR Busy IF-3 U3		Sel Pch UR3	Sel PT Rdr U3	Sel TTY U3	Sel DTU U3		Out Mode U3	In Mode U3
									05.08	05.06		00.07	00.10	03.10		03.14	03.14	03.14	03.14		03.07	03.06	03.06					
01E3									1401 SVC Resp U5	1401 Att U5		Bksp Rew U0	Sel End U0			1622 Write Call UR	1622 Read End UR	Unit Rcd Int IF-3 UR3			Sel Rem Inq U3	Sel PT Rdr U3	Sel TTY U3	Sel DTU U3		03.12	03.12	
03.XX.YY.1									05.07	05.06		00.08	00.08		03.23	03.24	03.15			03.08	03.08	03.07	03.07					
									1401 Inst Tra U5	1401 Rdy U5		Erase ChI U0	1st Char TM U0			1622 Rd Gate UR	1622 Wr SVC Resp UR	1414 Buf Att UR3		Sel 3 U3	Sel 2 U3	Sel 1 U3	Sel 0 U3					
									05.07	05.05		00.10	00.07		03.23	03.23	03.15			03.09	03.09	03.09	03.09				03.10	
01E4																												
U1, U2																												
Feature Only																												
03.XX.YY.1																												

53

J

Logic Page	Line In	Input	CPU Line Name	1414-I,II Line Name	Output	Line Out	Logic Page
03.00.01.1	+B	01E3J19D	-C Sel Unit 10	-C Unit Nu 0 to TAU	14D1C04A	+S	60.68.50.1
03.00.01.1	+B	01E3J19Y	-C Sel Unit 1	-C Unit Nu 1 to TAU	14D1C04C	+S	60.68.50.1
03.00.01.1	+B	01E3J19G	-C Sel Unit 2	-C Unit Nu 2 to TAU	14D1C04L	+S	60.68.50.1
03.00.01.1	+B	01E3J19X	-C Sel Unit 3	-C Unit Nu 3 to TAU	14D1C04B	+S	60.68.51.1
03.00.01.1	+B	01E3J19L	-C Sel Unit 4	-C Unit Nu 4 to TAU	14D1C05A	+S	60.68.51.1
03.00.01.1	+B	01E3J19G	-C Sel Unit 5	-C Unit Nu 5 to TAU	14D1C05C	+S	60.68.51.1
03.00.01.1	+B	01E3J19P	-C Sel Unit 6	-C Unit Nu 6 to TAU	14D1C05L	+S	60.68.52.1
03.00.01.1	+B	01E3J195	-C Sel Unit 7	-C Unit Nu 7 to TAU	14D1C05B	+S	60.68.52.1
03.00.01.1	+B	01E3J19B	-C Sel Unit 8	-C Unit Nu 8 to TAU	14D1C06A	+S	60.68.52.1
03.00.01.1	+B	01E3J19V	-C Sel Unit 9	-C Unit Nu 9 to TAU	14D1C06C	+S	60.68.53.1
03.00.04.1	+B	01E3J17L	-C Write Call	-C Write Tape Call	14D1A20L	+S	60.68.30.1
03.00.04.1	+B	01E3J17Y	-C Read Call	-C Read Tape Call	14D1A20B	+S	60.68.30.1
03.00.04.1	+B	01E3J17X	-C Bksp Call	-C Backspace Call	14D1A20A	+S	60.68.30.1
03.00.04.1	+B	01E3J17G	-C Wr EOF Call	-C Write Tape Mk Call	14D1A20C	+S	60.68.30.1
03.00.04.1	+B	01E3J08G	-C Erase Call	-C Erase Call	14D1A21B	+S	60.68.31.1
03.00.04.1	+B	01E3J17S	-C REW Call	-C Rewind Call	14D1A21A	+S	60.68.31.1
03.00.04.1	+B	01E3J17V	-C RUN Call	-C Rewind Unload	14D1A21C	+S	60.68.31.1
03.00.04.1	+B	01E3J17B	-C Turn Off TI	-C Turn Off Tape Ind	14D1A21L	+S	60.68.31.1
03.00.04.1	+B	01E3J17X	-C Reset TAU	-C Comp Reset to Tape	14D1A22B	+S	60.68.31.1
03.00.04.1	+B	01E3J17D	-C Disc Call	-C Disconnect Call	14D1A22A	+S	60.68.32.1
03.00.04.1	+B	01E3J17P	-C Bin Mode	-C Odd Parity Op to TAU	14D1A22C	+S	60.68.32.1
03.00.04.1	+B	01E3J17G	-C Set Tape Sel	-C Set Tape Sel Reg	14D1C06B	+S	60.68.53.1
03.00.04.1	+B	01E3J18Y	-C Reset Tape Sel	-C Reset Tape Sel Reg	14D1C06L	+S	60.68.53.1
03.00.02.1	+B	01E3J18G	-C TAU Wr Bus 1	-C CPU to TAU 1 Bit	14D1A06B	+S	60.68.20.1
03.00.02.1	+B	01E3J18L	-C TAU Wr Bus 2	-C CPU to TAU 2 Bit	14D1A06A	+S	60.68.20.1
03.00.02.1	+B	01E3J18P	-C TAU Wr Bus 4	-C CPU to TAU 4 Bit	14D1A06C	+S	60.68.20.1
03.00.02.1	+B	01E3J18B	-C TAU Wr Bus 8	-C CPU to TAU 8 Bit	14D1A06L	+S	60.68.20.1
03.00.02.1	+B	01E3J18D	-C TAU Wr Bus A	-C CPU to TAU A Bit	14D1A11B	+S	60.68.21.1
03.00.02.1	+B	01E3J18S	-C TAU Wr Bus B	-C CPU to TAU B Bit	14D1A11A	+S	60.68.21.1
03.00.02.1	+B	01E3J18V	-C TAU Wr Bus C	-C CPU to TAU C Bit	14D1A11C	+S	60.68.21.1

Logic Page	Line In	Input	1414-I,II Line Name	CPU Line Name	Output	Line Out	Logic Page
60.68.40.1	-S	14D1D08D	-C TAU to CPU 1 Bit	-C Rd Bus 1	01E3J16A	-B	03.00.03.1
60.68.40.1	-S	14D1D08C	-C TAU to CPU 2 Bit	-C Rd Bus 2	01E3J16D	-B	03.00.03.1
60.68.40.1	-S	14D1D08B	-C TAU to CPU 4 Bit	-C Rd Bus 4	01E3J16G	-B	03.00.03.1
60.68.40.1	-S	14D1D08F	-C TAU to CPU 8 Bit	-C Rd Bus 8	01E3J16L	-B	03.00.03.1
60.68.40.1	-S	14D1D07D	-C TAU to CPU A Bit	-C Rd Bus A	01E3J16P	-B	03.00.03.1
60.68.40.1	-S	14D1D07C	-C TAU to CPU B Bit	-C Rd Bus B	01E3J16U	-B	03.00.03.1
60.68.40.1	-S	14D1D07B	-C TAU to CPU C Bit	-C Rd Bus C	01E3J16X	-B	03.00.03.1
60.68.41.1	-S	14D1D05F	-C Tape Error	-C Tape Error	01E3H15C	+B	03.00.05.1
60.68.41.1	-S	14D1D05C	-C Tape Read Strobe	-C Tape Read Strobe	01E3J15D	-B	03.00.05.1
60.68.41.1	-S	14D1D04B	-C Select at Load Point	-C Sel and Ld Pt	01E3J15G	-B	03.00.05.1
60.68.40.1	-S	14D1D07F	-C Tape Write Strobe	-C Tape Write Strobe	01E3J162	-B	03.00.05.1
60.68.41.1	-S	14D1D04D	-C Tape Ready	-C Tape Ready	01E3J15L	-B	03.00.05.1
60.68.40.1	-S	14D1D05D	-C Write Condition	-C Write Cond	01E3J15P	-B	03.00.05.1
60.68.41.1	-S	14D1D04C	-C Select and Rewind	-C Sel and Rew	01E3J15X	-B	03.00.05.1
60.68.41.1	-S	14D1D04F	-C Select and Tape Ind On	-C Sel and T I	01E3J15U	-B	03.00.05.1
60.68.41.1	-S	14D1D05B	-C Tape Busy	-C TAU Busy	01E3J15A	-B	03.00.05.1

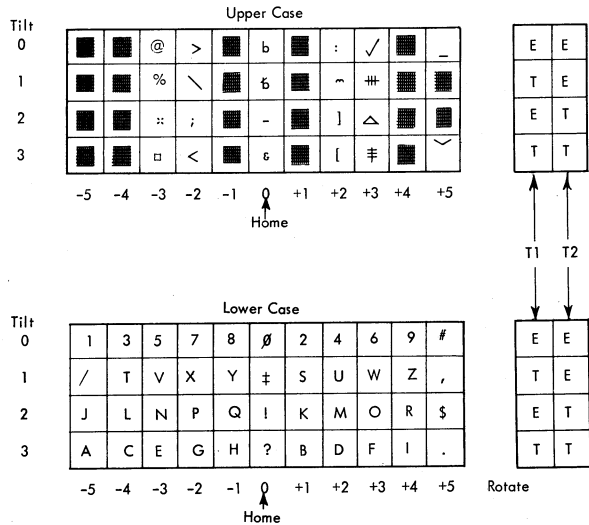
Logic Page	Line In	Input	CPU Line Name	1414-IV Line Name	Output	Line Out	Logic Page
03.03.01.1	+B	01E3J06D	-C Sel Reader	-C Unit 1 Select to I-O	14A4K25B	+S	51.40.01.1
03.03.01.1	+B	01E3J03G	-C Sel Printer	-C Unit 2 Select to I-O	14A3D21B	+S	53.50.04.1
03.03.01.1	+B	01E3J08V	-C Sel Pu BCD	-C Unit 4 Select to I-O	14A4K25A	+S	51.40.01.1
03.03.01.1	+B	01E3J08S	-C Sel Pu Bin	-C Unit 8 Select to I-O	14A4K21L	+S	51.40.01.1
03.03.01.1	+B	01E3J06G	-C Sel 0 to Buf	-C Select No 0 to Buf	14A4K18B	+S	51.40.07.1
03.03.01.1	+B	01E3J06L	-C Sel 1 to Buf	-C Select No 1 to Buf	14A4K18A	+S	51.40.07.1
03.03.01.1	+B	01E3J06P	-C Sel 2 to Buf	-C Select No 2 to Buf	14A4K18C	+S	51.40.07.1
03.03.01.1	+B	01E3J06B	-C Sel 3 to Buf	-C Select No 3 to Buf	14A4K18L	+S	51.40.07.1
03.03.01.1	+B	01E3J03P	-C Sel DTU	-C Select Unit D	14A4K17B	+S	51.40.03.1
03.03.01.1	+B	01E3J03B	-C Sel TTY	-C Select Unit L	14A4K19B	+S	51.40.03.1
03.03.01.1	+B	01E3J03S	-C Sel PT Read	-C Select Unit P	14A4K19C	+S	51.40.03.1
03.03.01.1	+B	01E3J03V	-C Sel Rem Inq	-C Select Unit Q	14A4K19L	+S	51.40.03.1
03.03.02.1	+B	01E3J05S	-C Computer Reset	-C Comp Reset to Buf	14A4K21C	+S	52.11.01.1
03.03.02.1	+B	01E3J06G	-C Res Sel Buf	-C Reset Select Buf Ltc	14A4K24A	+S	51.11.01.1
03.03.02.1	+B	01E3J06Y	-C Input Mode	-C Input Mode to Buf	14A4K21B	+S	51.40.02.1
03.03.02.1	+B	01E3J06X	-C Output Mode	-C Output Mode to Buf	14A4K21A	+S	51.40.02.1
03.03.02.1	+B	01E3J03Y	-C Ready to Buffer	-C Ready to Buffer	14A4K25L	+S	51.40.04.1
03.03.02.1	+B	07E3J06G	-C Correct Tran to Buf	-C Corr Trans to Buf	14A4K24B	+S	51.40.04.1
03.03.02.1	+B	01E3J03X	-C Forms Go	-C Forms Stacker Go	14A4K24L	+S	51.40.50.1
03.03.02.1	+B	01E3J03L	-C Forms Control	-C Forms Ctrl to Buf	14A3D21A	+S	53.50.04.1
03.03.03.1	+B	01E3J05C	-C 1414 Wr Bus 1	-C CPU to I-O Sync 1 Bit	14A2K26A	+S	51.40.10.1
03.03.03.1	+B	01E3J05L	-C 1414 Wr Bus 2	-C CPU to I-O Sync 2 Bit	14A2K26C	+S	51.40.10.1
03.03.03.1	+B	01E3J05P	-C 1414 Wr Bus 4	-C CPU to I-O Sync 4 Bit	14A2K26L	+S	51.40.10.1
03.03.03.1	+B	01E3J05B	-C 1414 Wr Bus 8	-C CPU to I-O Sync 8 Bit	14A2K25B	+S	51.40.10.1
03.03.03.1	+B	01E3J05D	-C 1414 Wr Bus A	-C CPU to I-O Sync A Bit	14A2K25A	+S	51.40.10.1
03.03.03.1	+B	01E3J05Y	-C 1414 Wr Bus B	-C CPU to I-O Sync B Bit	14A2K25C	+S	51.40.10.1
03.03.03.1	+B	01E3J05X	-C 1414 Wr Bus C	-C CPU to I-O Sync C Bit	14A2K25L	+S	51.40.10.1

Logic Page	Line In	Input	1414-IV Line Name	CPU Line Name	Output	Line Out	Logic Page
51.40.18.1	-S	14A4K23C	-C Buffer Ready	-C Buffer Ready	01E3H12F	+B	03.03.04.1
51.40.19.1	-S	14A4K15D	-C Reader Busy	-C 1414 Rd Busy	01E3J04A	-B	03.03.14.1
51.40.19.1	-S	14A4K15C	-C Punch Busy	-C 1414 Pu Busy	01E3J04D	-B	03.03.14.1
51.40.19.1	-S	14A4K23D	-C Buffer Busy	-C Buffer Busy	01E3H12D	+B	03.03.04.1
53.50.03.1	-S	14A3D06F	-C 1403 Print Buffer Busy	-C 1414 Pr Busy	01E3J04G	-B	03.03.14.1
51.40.19.1	-S	14A4K15B	-C Paper Tape Reader Busy	-C Prrt Busy	01E3J04L	-B	03.03.14.1
53.50.03.1	-S	14A3D06B	-C Forms Busy Sta to CPU	-C Forms Busy	01E3H15F	+B	03.03.04.1
52.13.03.1	-S	14A4K22F	-C Read Column Binary	-C Read Column Binary	01E3H15G	+B	03.03.04.1
51.40.12.1	-S	14A4K22D	-C Buffer End of Trans	-C Buffer End of Trans	01E3J04U	-B	03.03.05.1
51.40.12.1	-S	14A4K20C	-C Buffer No Trans Cond	-C Buffer No Trans Cond	01E3H12G	+B	03.03.04.1
51.40.02.1	-S	14A4K22B	-C Buffer Inq Out Pulse	-C Buffer Outquiry	01E3J04P	-B	03.03.04.1
51.40.20.1	-S	14A4K23B	-C Buffer Conditions	-C Buffer Conditions	01E3H12C	+B	03.03.04.1
51.40.20.1	-S	14A4K20D	-C Buffer Inq Request	-C Buffer Inquiry	01E3H15H	+B	03.03.04.1
51.40.21.1	-S	14A4K23F	-C Buffer Error	-C Buffer Error	01E3H12E	+B	03.03.04.1
51.40.43.1	-S	14A4K22C	-C Buffer Strobe	-C Buffer SVC Req	01E3J04X	-B	03.03.05.1
51.40.11.1	-S	14A2K24D	-C I-O Sync to CPU 1 Bit	-C 1414-1622 Rd Bus 1	01E3J07A	-B	03.03.03.1
51.40.11.1	-S	14A2K24C	-C I-O Sync to CPU 2 Bit	-C 1414-1622 Rd Bus 2	01E3J07D	-B	03.03.03.1
51.40.11.1	-S	14A2K24B	-C I-O Sync to CPU 4 Bit	-C 1414-1622 Rd Bus 4	01E3J07G	-B	03.03.03.1
51.40.11.1	-S	14A2K24F	-C I-O Sync to CPU 8 Bit	-C 1414-1622 Rd Bus 8	01E3J07L	-B	03.03.03.1
51.40.11.1	-S	14A2K23D	-C I-O Sync to CPU A Bit	-C 1414-1622 Rd Bus A	01E3J07P	-B	03.03.03.1
51.40.11.1	-S	14A2K23C	-C I-O Sync to CPU B Bit	-C 1414-1622 Rd Bus B	01E3J07U	-B	03.03.03.1
51.40.11.1	-S	14A2K23B	-C I-O Sync to CPU C Bit	-C 1414-1622 Rd Bus C	01E3J07X	-B	03.03.03.1

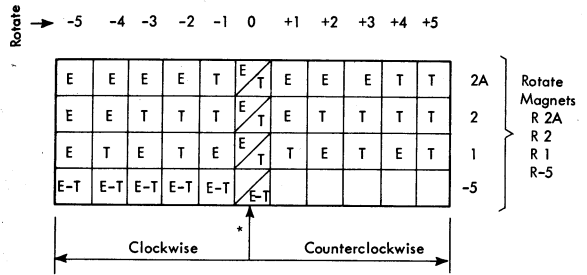
731 INPUT - OUTPUT DEVICE

The 731 console printers used on the 1410 and 7040/44 systems are interchangeable.

731 Type Arrangement A - Report Writing



731 Select Latch Chart



T = Contact Transferred
E = Magnet Energized
T1, T2, R1, R2, R2A - Not Energized,
Transfer Their Respective Contacts
R5 Energized -Transfers Contact

*Note:

Home position blocks are split for upper and lower case
Chart is shown for output cycle using magnets. Contacts transferred on input cycles are the same as shown, except for upper case home position. On input, home position in either case will transfer contacts as shown for lower case.

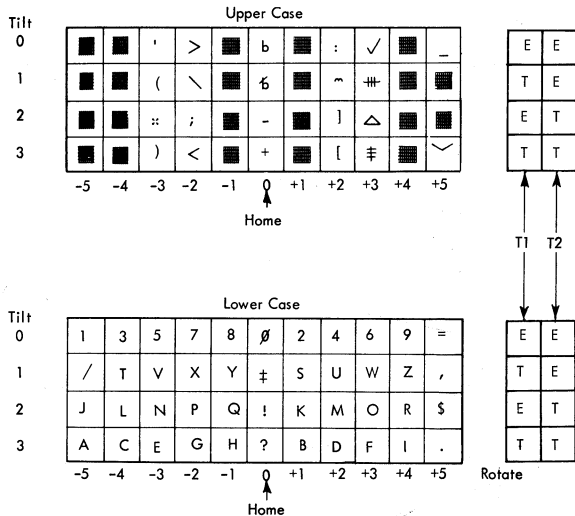


B	A	Tilt
0	0	0
0	1	1
1	0	2
1	1	3

8	4	2	1	Rotate
0	0	0	0	0 (Home)
0	0	0	1	-5
0	0	1	0	+1
0	0	1	1	-4
0	1	0	0	+2
0	1	0	1	-3
0	1	1	1	+3
1	0	0	0	-1
1	0	0	1	+4
1	0	1	0	0 (Home)
1	0	1	1	+5
1	1	0	0	-3
1	1	0	1	+2
1	1	1	0	-2
1	1	1	1	+3

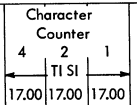
731 Type Arrangement H - Program Language

The type H head is used for FORTRAN and programming the 7040/44 system.



B = Tilt 2
A = Tilt 1
2 = Rotate +1
4 or 8 = Rotate +1
4 and 8 = Rotate +2A
8 and $\bar{1}$, $\bar{8}$ and 1 = Rotate -5

	28	27	26	25	24	23	22	21	20	19	18	17	16	15	14	13	12	11	10	9	8	7	6	5	4	3	2	1
B		Tape Sel TI 30.00	SI Sel 40.02	DD Sel 51.02			Chan WRS 20.00	Chan Rds 20.00	Ctrl Sense 40.02	BCD Mode 20.02	Bksp/ Rew'd 20.11	TI SI 20.12	Chan Busy 20.02	O/MF End Op 20.01		DD EOR Gate DD 12.15	Wd Ctr = 0 12.15	Dr Load-ed 20.06	6th Char 20.25	Write 1st Word 20.24	Read Last Word 20.23	Chan Disc 20.13	Disc Call 20.12		B Cycle Dmd 20.03	B Cycle 20.03	1st B Cycle 20.27	1st BIN Tgr 20.27
C			Tape End TI 15.00		1st Char TM TI 15.01	End of File TI DD 15.01	Word Par Error 18.02	Redun Check 15.02	Trans Loss 20.10		Prog Ind Sync 15.04								Serv Resp SI 20.26		Attn SI 20.28	Attn SI 20.28		Stop SI 20.27	Unus End 20.29	End Resp SI 20.29		
D		Enb CWT 16.00		Enb TCT 16.00	Wd Par SI 16.00	Enb Attn SI 16.00		Enb DD Int DD 16.00			Attn Sync SI 16.01	Unus End Sync 16.01	Wd Par Sync 16.01	Disc Sync 16.02	Redun Check Sync 16.02	EOF Sync TI DD 16.02					Trap PRI 16.03			DD Inter DD 51.03				
H																												



Name	02A1
Name	or
Name	02A2
MFI	(06.XX.YY.1)
Page	

	28	27	26	25	24	23	22	21	20	19	18	17	16	15	14	13	12	11	10	9	8	7	6	5	4	3	2	1				
B		Assembly Register 1st Character						Assembly Register 2nd Character						Assembly Register 3rd Character																		
C		Assembly Register 4th Character						Assembly Register 5th Character						Assembly Register 6th Character						DR C Bit	Wr T Odd Cnt	Rd Par Gen	DD Stat									
D		Channel Word Counter																														
E		Channel Address Counter																														

02A3
or
02A4
(06.XX.YY.1)

Logic Page	Line In	Input*	Channel Line Name	1414-I, II Line Name	Output	Line Out	Logic Page
06.30.01.1	+B	02A3G23B	-C Unit Nu 0 to TAU	-C Unit Nu 0 to TAU	14D1C04A	+S	60.68.50.1
06.30.01.1	+B	02A3G23G	-C Unit Nu 1 to TAU	-C Unit Nu 1 to TAU	14D1C04C	+S	60.68.50.1
06.30.01.1	+B	02A3G23F	-C Unit Nu 2 to TAU	-C Unit Nu 2 to TAU	14D1C04L	+S	60.68.50.1
06.30.01.1	+B	02A3G23E	-C Unit Nu 3 to TAU	-C Unit Nu 3 to TAU	14D1C04B	+S	60.68.51.1
06.30.01.1	+B	02A3G23D	-C Unit Nu 4 to TAU	-C Unit Nu 4 to TAU	14D1C05A	+S	60.68.51.1
06.30.01.1	+B	02A3G23C	-C Unit Nu 5 to TAU	-C Unit Nu 5 to TAU	14D1C05C	+S	60.68.51.1
06.30.01.1	+B	02A3G24B	-C Unit Nu 6 to TAU	-C Unit Nu 6 to TAU	14D1C05L	+S	60.68.52.1
06.30.01.1	+B	02A3G24G	-C Unit Nu 7 to TAU	-C Unit Nu 7 to TAU	14D1C05B	+S	60.68.52.1
06.30.01.1	+B	02A3G24E	-C Unit Nu 8 to TAU	-C Unit Nu 8 to TAU	14D1C06A	+S	60.68.52.1
06.30.01.1	+B	02A3G24F	-C Unit Nu 9 to TAU	-C Unit Nu 9 to TAU	14D1C06C	+S	60.68.53.1
06.20.09.1	+B	02A3J01X	-C TAU Write Call	-C Write Tape Call	14D1A20L	+S	60.68.30.1
06.20.09.1	+B	02A3J016	-C TAU Read Call	-C Read Tape Call	14D1A20B	+S	60.68.30.1
06.20.09.1	+B	02A3G22B	-C Backspace Call	-C Backspace Call	14D1A20A	+S	60.68.30.1
06.20.09.1	+B	02A3G22G	-C Write Tape Mark Call	-C Write Tape Mk Call	14D1A20C	+S	60.68.30.1
06.30.00.1	+B	02A3C04B	-C Erase Call to TAU	-C Erase Call	14D1A21B	+S	60.68.31.1
06.20.09.1	+B	02A3G22F	-C Rewind Call	-C Rewind Call	14D1A21A	+S	60.68.31.1
06.20.09.1	+B	02A3G22E	-C Rewind Unload Call	-C Rewind Unload	14D1A21C	+S	60.68.31.1
06.15.00.1	+B	02A1G04D	-C Turn Off Tape Indicate	-C Turn Off Tape Ind	14D1A21L	+S	60.68.31.1
06.19.05.1	+B	02A1J27B	-C Computer Reset to TAU	-C Comp Reset to Tape	14D1A22B	+S	60.68.31.1
06.30.00.1	+B	02A1C15A	-C Write Disc to TAU	-C Disconnect Call	14D1A22A	+S	60.68.32.1
06.20.02.1	+B	02A1C22G	-C Odd Parity Op to TAU	-C Odd Parity Op to TAU	14D1A22C	+S	60.68.32.1
06.30.00.1	+B	02A1H17D	-C Set Tape Select Reg	-C Set Tape Sel Reg	14D1C06B	+S	60.68.53.1
06.20.13.1	+B	02A1F16B	-C Reset Tape Unit Selects	-C Reset Tape Sel Reg	14D1C06L	+S	60.68.53.1
06.11.12.1	+B	02A3J01T	-C Chan Wr Bus 1 to Tape	-C CPU to TAU 1 Bit	14D1A06B	+S	60.68.20.1
06.11.12.1	+B	02A3J01R	-C Chan Wr Bus 2 to Tape	-C CPU to TAU 2 Bit	14D1A06A	+S	60.68.20.1
06.11.12.1	+B	02A3J01C	-C Chan Wr Bus 4 to Tape	-C CPU to TAU 4 Bit	14D1A06C	+S	60.68.20.1
06.11.12.1	+B	02A3J01A	-C Chan Wr Bus 8 to Tape	-C CPU to TAU 8 Bit	14D1A06L	+S	60.68.20.1
06.11.12.1	+B	02A3J01Q	-C Chan Wr Bus A to Tape	-C CPU to TAU A Bit	14D1A11B	+S	60.68.21.1
06.11.12.1	+B	02A3J01K	-C Chan Wr Bus B to Tape	-C CPU to TAU B Bit	14D1A11A	+S	60.68.21.1
06.11.12.1	+B	02A3J01F	-C Chan Wr Bus C to Tape	-C CPU to TAU C Bit	14D1A11C	+S	60.68.21.1

Logic Page	Line In	Input	1414-I, II Line Name	Channel Line Name	Output*	Line Out	Logic Page
60.68.40.1	-S	14D1D08D	-C TAU to CPU 1 Bit	-C Tape Bit 1	02A3G03X	-B	06.11.01.1
60.68.40.1	-S	14D1D08C	-C TAU to CPU 2 Bit	-C Tape Bit 2	02A3G03U	-B	06.11.01.1
60.68.40.1	-S	14D1D08B	-C TAU to CPU 4 Bit	-C Tape Bit 4	02A3G03P	-B	06.11.01.1
60.68.40.1	-S	14D1D08F	-C TAU to CPU 8 Bit	-C Tape Bit 8	02A3G03L	-B	06.11.01.1
60.68.40.1	-S	14D1D07D	-C TAU to CPU A Bit	-C Tape Bit A	02A3G03G	-B	06.11.00.1
60.68.40.1	-S	14D1D07C	-C TAU to CPU B Bit	-C Tape Bit B	02A3G03D	-B	06.11.00.1
60.68.40.1	-S	14D1D07B	-C TAU to CPU C Bit	-C Tape Bit C	02A3G03A	-B	06.11.00.1
60.68.41.1	-S	14D1D05F	-C Tape Error	-C TAU Error	02A1F05K	+B	06.15.02.1
60.68.41.1	-S	14D1D05C	-C Tape Read Strobe	-C TAU Read Strobe	02A3G022	-B	06.20.26.1
60.68.41.1	-S	14D1D04B	-C Select at Load Point	-C Tape Select at Loadpoint	02A3D02F	+B	06.20.11.1
60.68.40.1	-S	14D1D07F	-C Tape Write Strobe	-C TAU Write Strobe	02A3G02U	-B	06.20.26.1
60.68.41.1	-S	14D1D04D	-C Tape Ready	-C Tape Sel and Rdy from TAU	02A1H10D	+B	06.20.01.1
60.68.40.1	-S	14B1D05D	-C Write Condition	-C Write Cond from TAU	02A1J15B	+B	06.20.10.1
60.68.41.1	-S	14D1D04C	-C Select and Rewind	-C Select and Rewind	02A3D02E	+B	06.20.11.1
60.68.41.1	-S	14D1D04F	-C Select and Tape Ind On	-C Select and Tape Ind On	02A1G08C	+B	06.15.00.1
60.68.41.1	-S	14D1D05B	-C Tape Busy	-C TAU Busy	02A3G02A	-B	06.20.12.1

Note

* These overlap channel test points are for channels 1 and 3.

To use these test points for channels 2 and 4, change the chassis locations from 1 to 2 and from 3 to 4. For example:

Channel 1 and 3 test point
is the same as
Channel 2 and 4 test point

02A1J27B or 02A3G23B
↓ ↓
02A2J27B or 02A4G23B

1414-I-II-VII **TRIGGER LOCATIONS - TAPE

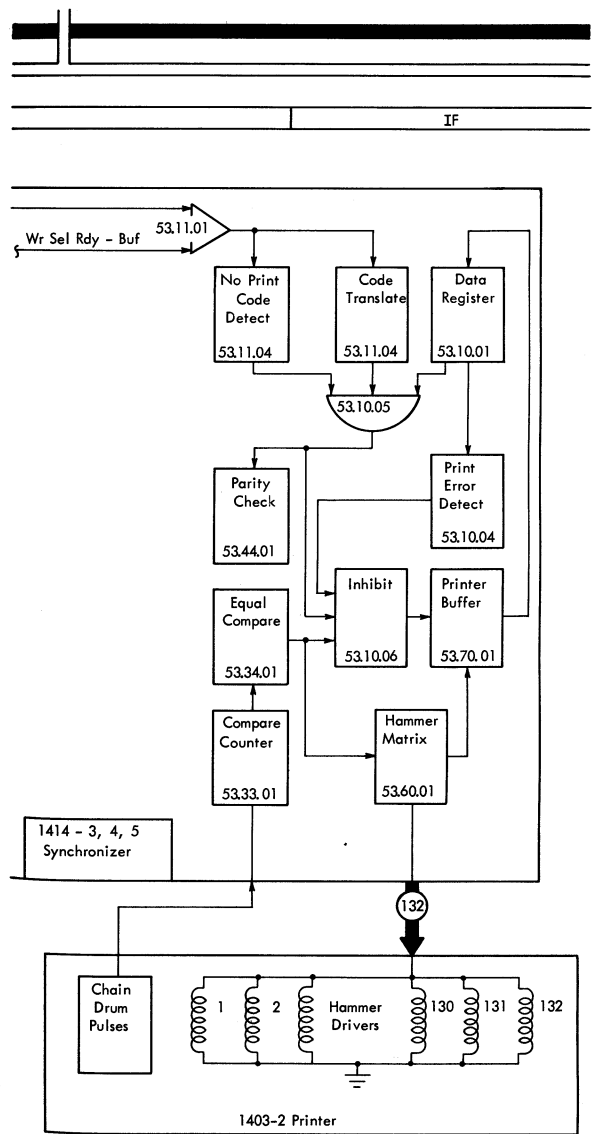
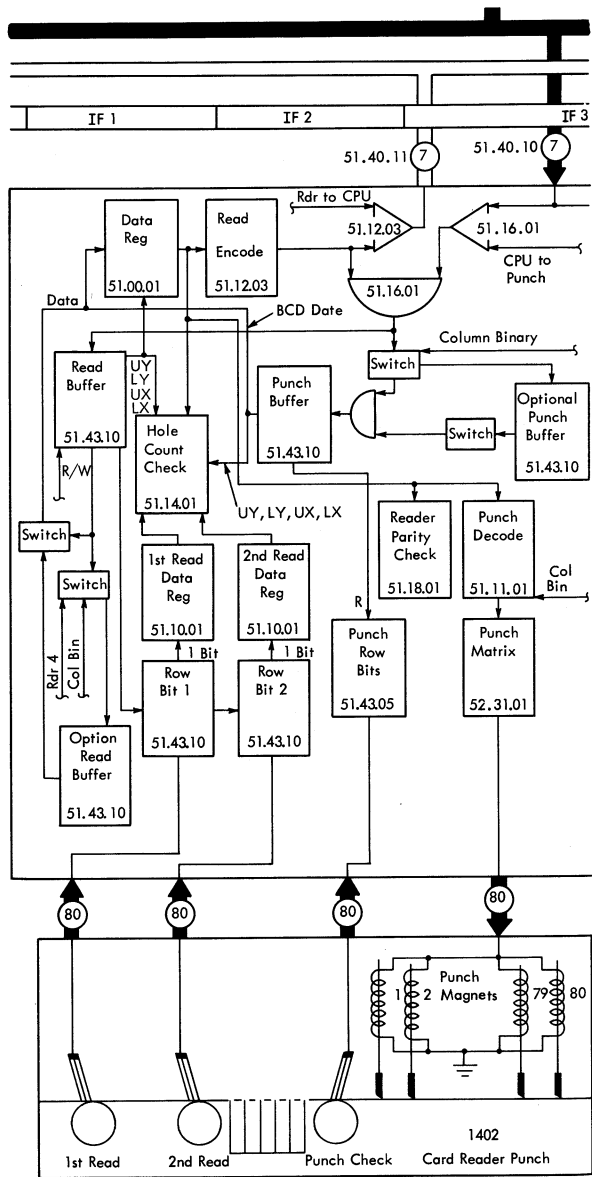
A Reg VRC	60-50-51	R-W Reg 1 Bit	60-40-50
Backspace	60-60-40	R-W Reg 2 Bit	60-40-50
Backward	60-60-40	R-W Reg 4 Bit	60-40-50
Check Character	60-40-61	R-W Reg 8 Bit	60-40-51
Compare Check	60-50-30	R-W Reg A Bit	60-40-51
Disconnect	60-60-31	R-W Reg B Bit	60-40-51
Erase	60-60-31	R-W Reg C Bit	60-40-52
Error Latch	60-50-50	R-W Reg VRC	60-50-50
First Bit	60-40-60	Rewind	60-60-02
First Character	60-40-60	Rewind Unload	60-60-02
Forward Stop Delay	60-30-56	Select Tape Units	60-68-50;53
Gate On Final Amps	60-30-52	Skew Error	60-50-51
Go	60-60-11	Turn On TI	60-60-50
Load Point	60-60-02	Write	60-60-30
No Echo Latch	60-50-50	Write Condition	60-60-30
Odd Redundancy	60-40-61	Write Delay	60-30-11
Read Condition	60-60-20	Write Disc Delay	60-30-11
Read Delay	60-30-10	Write Tgr Release	60-60-31
Read Disc Delay	60-30-10	Write TM	60-60-31
Read Only	60-60-20	CE Switches	60-68-05
		Indicators	60-68-60;62

**For 1414-VII, ALD page numbers start with 90. Thus: 90-XX-XX.

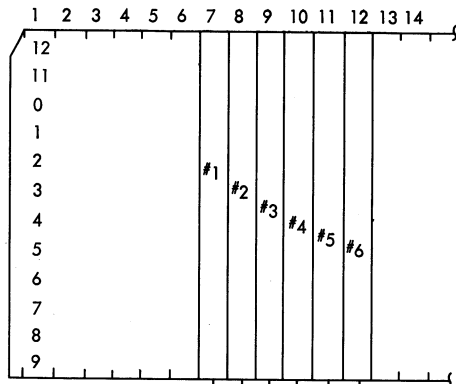
1414-III-IV-VIII TRIGGER LOCATIONS - CARD

Adv by 2	53-33-05	E O Xfr 1	51-40-12
After 9 CAM	52-10-14	E O Xfer 2	51-40-12
Auto Space	53-55-01	Emitter Delay	53-52-02
Block Data Reg	51-50-01	Equal Compare	53-10-01
Brush SS Latch	52-10-10	Error PT	55-10-06
Buff Full PT	55-10-02	Fast or Slo Skip	53-54-01
Busy Ctl PT	55-10-01	*Five Ring 1-5 Prt	53-21-01
Busy PT	55-10-02	Five Ring Adv	53-23-02
Carriage Moving	53-55-03	Form Check	53-42-01
CB A-1	52-20-02	*Hammer Check Reg	53-10-01
CB Latch	52-10-10	Hammer Row Bit Reg	53-10-02
CCC Reg A-1	53-50-01	Holdover 132	53-40-02
*CE Check	51-14-01	*Home, Printer	53-22-01
CE GO	51-50-03	Indicator Ch 9	53-56-01
CE Reader Rdy	52-11-01	Indicator Ch 12	53-56-01
Chain Home	53-30-01	Insert C Bit	53-11-05
Channel 12-7	53-53-01	*LX Data Reg	51-10-01
Channel 6-1	53-53-02	*LY Data Reg	51-10-01
Clock 000-100	51-30-03	Man Reg Rst	53-50-02
Clock Check	51-30-01	Man Reg Space	53-50-02
*Clock Error	51-30-01	Multi-Rd Fd Latch	52-10-08
Compare A	53-33-03	No Xfr	51-40-12
Compare B	53-33-03	Parity 1	51-18-01
Compare 8	53-33-02	Parity 1 Prt	53-44-02
Compare 4	53-33-02	Parity 2	53-44-01
Compare 2	53-33-01	Parity 2 Prt	53-44-02
Compare 1	53-33-01	PCH Check 1	52-12-02
Ctl Bit Serial	51-50-05	PCH Check 2	52-12-02
*Data Reg A-1 Int Buff	51-10-02	PCH FD	52-10-15
*Data Reg A Prt Buff	53-10-01	PCH Priority Request	52-10-01
*Data Reg B Prt Buff	53-10-01	PCH Data Reg	51-10-01
*Data Reg C Prt Buff	53-10-01	PCH Request	52-10-15
*Data Reg 8 Prt Buff	53-10-02	*PCH SCN	52-10-02
*Data Reg 4 Prt Buff	53-10-02	PCH SCN CB Latch (2F&3J)	52-10-14
*Data Reg 2 Prt Buff	53-10-02	PCH Stack Sel	52-13-01
*Data Reg 1 Prt Buff	53-10-02	Punch FD	52-10-14
Data Reg A-1 PT	55-10-03	PCH Xfr	52-10-15
Delay Forms	53-51-06	PCH Xfr Check	52-12-01
Delay Latch	53-23-03	Print Error	53-12-01
Delay Rst	53-55-03	Print in Process	53-51-06
E O File	52-11-01	*PRT Line Complete Reg	53-10-01
E O File Dly	52-11-01	PS 1-32	53-32-01
*E O Scan	51-32-01	PSS 1	53-31-01

PSS 2	53-31-01	Start Latch CE	51-50-03
PSS 3	53-31-01	Stop Latch CE	51-50-03
PSS Tgr	53-30-01	Strobe	51-40-43
Rd Fd	52-10-09	Strobe Pls Int Buff	51-30-05
Rd Fd Latch	52-10-08	Switch Bounce	53-42-01
Rd Pls 1 Int Buff	51-30-05	Sync Check	53-43-01
Rd Pls 2 Int Buff	51-30-05	Sync Ctl 1	55-10-01
Rd Priority Request	52-10-01	Sync Ctl 2 Pt	55-10-01
Rd Request	52-10-07	Sync Holdover	53-12-01
Rd Request PT	55-10-06	*Ten Ring 0-7	51-32-01
*Rd Scn	52-10-02	*Ten Ring 0-4 Prt	53-20-01
Rd Scn PT	55-10-07	*Ten Ring 5-9 Prt	53-20-02
Rd Xfr Req PT	55-10-06	Ten Ring AC	51-32-02
Rd Xfr Request	52-10-09	Ten Ring Adv Prt	53-23-02
Rdy Print	53-40-01	*Three Ring 1 Prt	53-22-01
Ready	51-40-04	*Three Ring 2 Prt	53-22-01
*Read Check	52-12-01	*Three Ring 3 Prt	53-22-01
Read In, Prt	53-40-01	Three Ring Adv Prt	53-23-02
Read Request	51-40-01	Time Pls 1	51-30-02
Ring Check Tgr	51-32-02	Time Pls 2	51-30-02
Ring Err 1	51-32-02	Turn Off Rings	53-23-01
*Ring Err 2	51-32-02	*Unit Ring 0-9	51-31-01
Scan Call, Prt	53-40-01	*Unit Ring Error	51-31-02
Scan Req PT	55-10-07	*UX Data Reg	51-10-01
*Scan, Prt	53-40-01	*UY Data Reg	51-10-01
Serial Scn Latch	51-50-06	*Validity Latch	52-12-02
Single Line	53-42-01	Wr Pls Int Buff	51-30-05
Stacker 1	52-13-02	Z Pls Int Buff	51-30-05
Stacker 2	52-13-02	1st Rd Data Reg	51-10-01
Stacker 4	52-13-01	2nd Rd Data Reg	51-10-01
Stacker 8	52-13-01	1401 CCC Reg Rst	53-50-03
Start Latch	53-42-01	1401 Rd Latch	52-10-08
		51 Col Cd Proceed	52-10-11

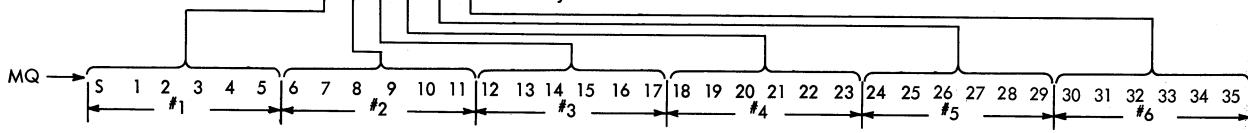


68

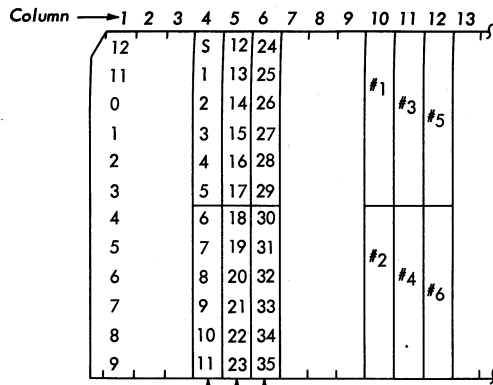


The card is transferred sequentially from column 1 to column 80. This causes the IBM card to be transferred in six column increments. The IBM card fills $13 \frac{1}{3}$ MQ words.

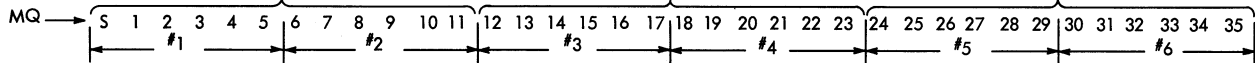
Word	Columns	Word	Columns
1	1 thru 6	8	43 thru 48
2	7 thru 12	9	49 thru 54
3	13 thru 18	10	55 thru 60
4	19 thru 24	11	61 thru 66
5	25 thru 30	12	67 thru 72
6	31 thru 36	13	73 thru 78
7	37 thru 42	14	79 and 80

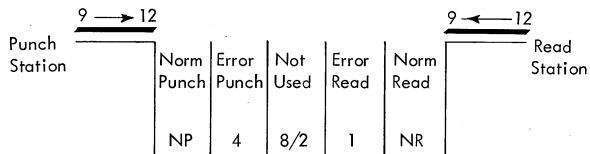
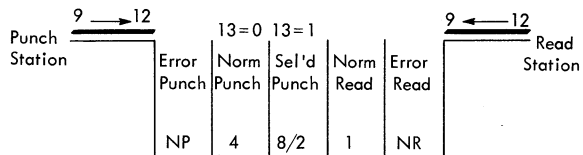


69



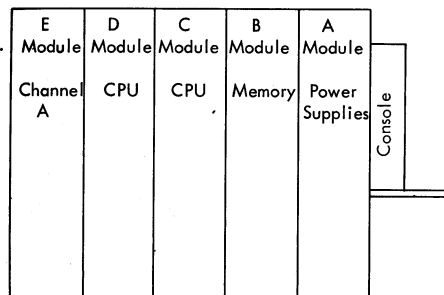
This card is transferred sequentially from column 1 to column 80. This causes the binary card to be transferred in three column increments. The binary card fills $26 \frac{2}{3}$ MQ words starting with column 1 in word 1 positions S, 1, 2, 3, 4, and 5.



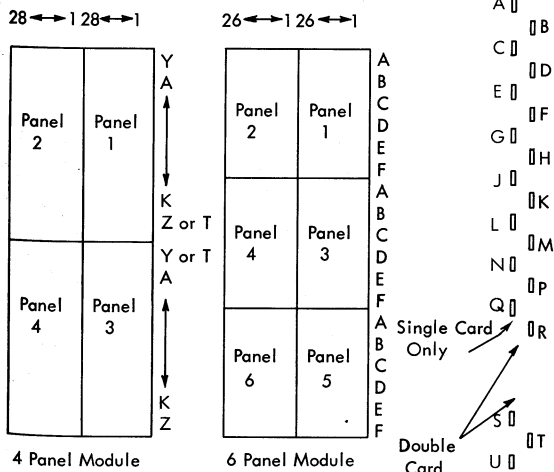


CB	Timing	
9	8 1	C
8	8	
7	4 2 1	
6	4 2	C
5	4 1	C
4	4	
3	2 1	C
2	2	
1	1	
0	A	
11	B	
12	A B C	

MODULE LAYOUT

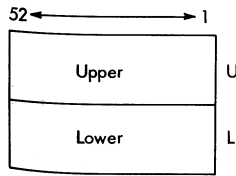


Frame 01



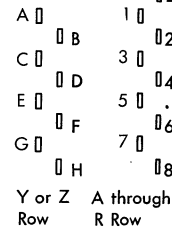
4 Panel Module

6 Panel Module



Panel 7

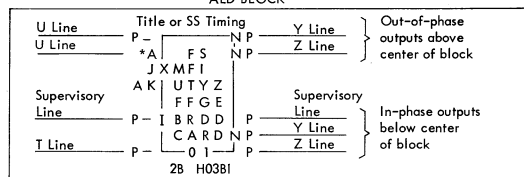
7040 Module Layout Wiring Side



IBM Customer Engineering

Component Circuits Reference Card

ALD BLOCK



FS - Functional symbol (up to four characters -A, -TO, SS, ---)
MFI - Machine feature index or special note (up to four characters)
UT - Line type in
YZ - Line type out
FF - Frame (01 - 99)
G - Sliding gate (A, B, C, D) or module (A, B, C, ---)
E - Engineering change level tag (A, B, C, ---)
B - Chassis (1 - 6) or swinging gate (1 - 8)
R - Chassis Row (A - K) or swinging gate column (A - F)
DD - Chassis column (01 - 28) or swinging gate row (01 - 26)
P - Card socket pin (single card:A-R; double, Stan-Pac, or twin:A-8)
*A - Edge Connector, Test Point given in Note A
JX - Shield lead connected to pin J (X = twisted pair; * = coaxial cable)
AK - Pin A backpanel wired to pin K
CARD - Card code
2B - Page coordinates
H03BI - For engineering use; block identification (circuit type)
01 - For engineering use; block configuration (01, 02, 03, ---)
N - When used means normal (not supervisory) output, load in this block.
I - One of six symbols:

- 3 - Third level input, load in this block
- ◇ - Third level input, load elsewhere
- S - Split level input, load in this block
- 2 - Split level input, load elsewhere
- C - Cascode level input, load in this block
- H - Cascode level input, load elsewhere

LINE LEVELS

Line Type	Ideal Swing (volts)	Down Levels (volts)		Up Levels (volts)		Application
		Low	High	Low	High	
B	0 to +6	+0.1	+0.3	+2.7	+6.8	DDTL, Uncompensated
B	0 to +6	+0.1	+0.3	+5.6	+6.8	DDTL, Compensated
B	0 to +6	-0.8	+0.8	+3.2	+6.8	DDTL, DE Chain
C	0 to 15 ma	-4.1	-0.3	+0.6	+3.1	Std Interface DL, DT
D	-2.5 to +2.5	-5.0	-0.7	+0.7	+5.0	DEFL
E	-6 to +6	-25.0	-3.0	+3.0	+25.0	EIA Std Data Sets
N	± from 0 ref	-3.0	-0.4	+0.4	+1.2	Alloy Current Sw
N	± from 0 ref	-0.9	-0.4	+0.4	+0.6	Diffused Current Sw
P	± from -6 ref	-7.2	-6.4	-5.6	-3.0	Alloy Current Sw
P	± from -6 ref	-6.6	-6.4	-5.6	-5.2	Diffused Current Sw
Q	0 to 40 ma	-3.8	-0.5*	+0.6	+2.4	DL and DT
R	0 to +12	-0.4	+0.2	+5.6	+12.5	CTRL
S	-12 to 0	-12.5	-5.6	-0.2	+0.4	CTRL
S	-12 to 0	-12.5	-6.9	-0.5	0.0	SDTRL
S*	-6 to 0	-6.9	-5.9	-0.5	0.0	Clamped SDTDL and SDTRL (7074)
T	-6 to +6	-6.2	-0.7	+1.4	+6.2	CTDL
U	-12 to 0	-12.5	-7.4	-5.3	+0.2	CTDL
V	Any					Special
W	# 0 to -48	-53.0	-43.0	-2.0	0.0	Relays
X	-30 to +10	-60.0	-18.3	+5.5	+40.0	Tubes
Y	-6 to 0	-8.8	-5.8	-0.7	-0.1	SDTDL
Z	-6 to +6	-7.0	-4.2	+3.0	+6.2	Magnetic Shift Cores

* High down level can go to +0.1 on some circuits

0 to relay source voltage; typically, 0 to -48

NORMAL PIN ASSIGNMENTS FOR POWER SUPPLY VOLTAGES

Card Type	Grnd	-6v	+6v	-12v	+30v	+12M	-36v	-20v	+6M	+12v	-12M	+20v
All Single	J	K	L	M	N*	N*	P*	P*	Q*	Q*	R	
Double**	J&I	K	L	M	N*	N*	P*	P*	Q*	Q*	R	
Stan-Pac(7104)	1	2	3	4	5							
Stan-Pac(7302§)	J&I		5					6			8	7
Twin #	J&I		3	4	5*or7			6		5*	8	

* One of two voltages that may be on this pin

** Current switching circuits (1410, 7030, 7070, 7074, 7080, 7090, 7094)

§ Serial 12000 and above (DEFL circuits)

DDTL circuits (7040, 7044, 7640, 7710, 7750, 7908)

CURRENT SWITCHING SUPERVISORY LEVELS

Line Name	Ref	Down Levels* (volts)			Up Levels* (volts)		
		L	N	H	L	N	H
Third-Level N	0.0	-2.0	-1.6	-1.2	+0.4	+0.5	+0.5
Third-Level P	-6.0	-6.5	-6.5	-6.4	-4.8	-4.4	-4.0
Split-Level N	0.0	-2.0	-1.6	-1.2	-0.2	0.0	+0.2
Split-Level P	-6.0	-6.2	-6.0	-5.8	-4.8	-4.4	-4.0
Cascode N (N')	+6.0	+5.0	+5.3	+5.6	+6.4	+6.5	+6.5
Cascode P (P')	-12.0	-12.5	-12.5	-12.4	-11.6	-11.3	-7.0

* L - Low limit for typical circuits using this line type

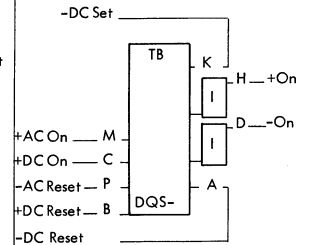
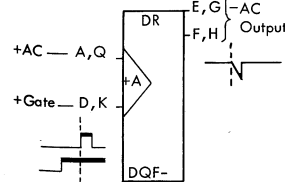
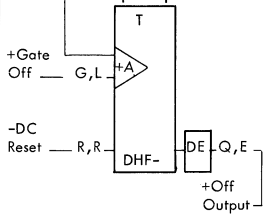
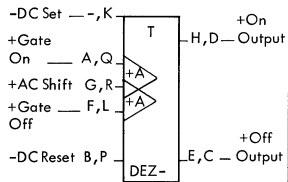
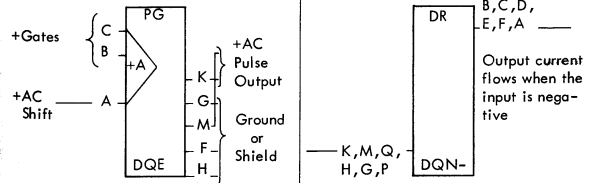
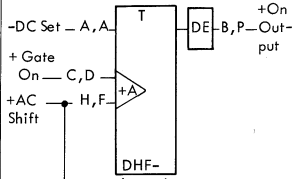
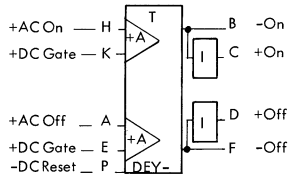
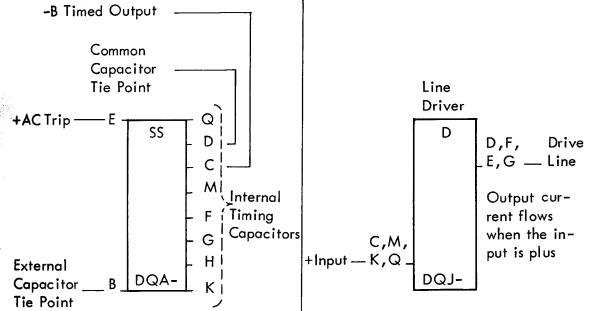
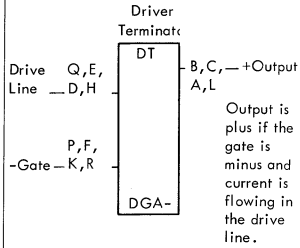
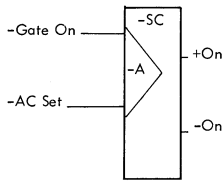
* N - Nominal voltage level

* H - High limit for typical circuits using this line type

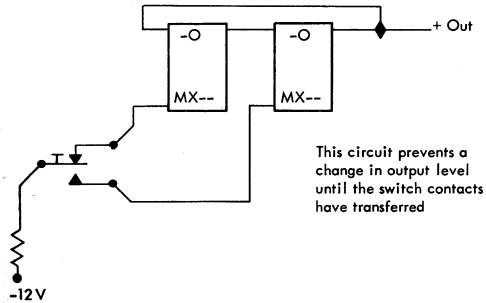
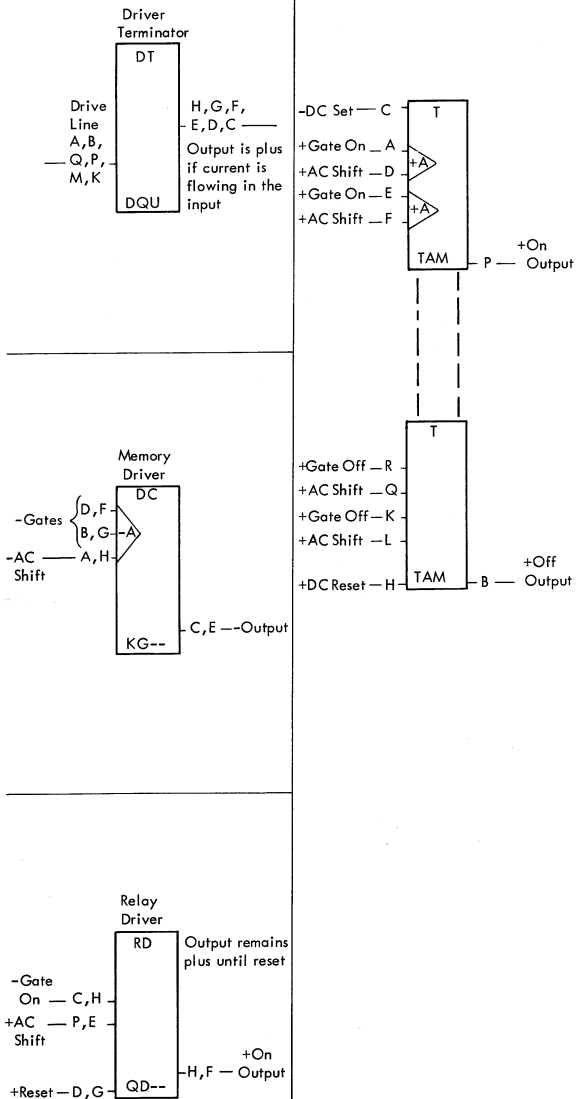
7070 SPECIAL CORE DRIVE LEVELS

Line Name	Down Levels (volts)			Up Levels (volts)		
	Low	Nom	High	Low	Nom	High
A Drive (ROD)	+1.1	+10.0	+17.9	+28.7	+30.0	+31.2
B Drive (RID)	-6.2	-6.0	-5.2	+12.2	+17.0	+20.9
B Drive (DRID)	-5.9	-5.8	-5.7	+10.8	+11.0	+11.9
C Drive (ROCD)	+6.4	+6.4	+7.2	+11.7	+12.0	+17.0

LINE DETERMINATION



KEY TRIGGER



Key Trigger Circuit

SMS CARDS

- P EQUALS POWER SUPPLY CARDS
- * EQUALS 7106 CORE STORAGE CARDS
- ** EQUALS 7107 CORE STORAGE CARDS
- *** EQUALS BOTH 7106 AND 7107 CORE STORAGE CARDS

PART NUMBER	NAME	PART NUMBER	NAME
370697	ANN- *	372126	DPV-
370660	ANG- *	372116	DPY-
372188	DB--	372147	DOA-
370659	DLM- *	372140	DOB-
370787	DLP- *	372142	DOC-
370662	DL- *	372190	DDO-
370786	DLT- *	372144	DOE-
370657	DLU- *	372152	DOF-
370889	DMM-	372150	DQJ-
370890	DMN-	372143	DOM-
370891	DMP-	372151	DON-
372125	DMQ-	372145	DOP-
370892	DMR-	372138	DOR- ***
370893	DMS-	372155	DOS-
370894	DMT-	372148	DOT-
370895	DMU-	372146	DOU-
370896	DMV-	372181	DOX-
370897	DMX-	372233	DXA- *
370898	DMY-	371699	RE-- ***
372103	DNA- **	373102	STZ- *
372105	DNB-	373288	SVR- *
372104	DNC- **	371621	TC-- *
372127	DND-	373295	UCA- ***
372106	DNF-	373301	UCB-
372137	DNH-	373302	UCC-
372164	DNJ- **	373303	UCD-
372163	DNK- **	373304	UCE-
372162	DNL- **	373296	UCF-
372156	DNW-	373297	UCG-
372189	DNY-	373298	UCH-
372261	DNZ-	373312	UCK-
372100	DPA-	373299	UCL-
372124	DPB-	373313	UCM-
372101	DP- *	373350	UCN-
372102	DPD-	373351	UCP-
372107	DPE-	373349	UCQ-
372108	DPG-	372187	V7--
372109	DPH-	373101	VJG- *
372110	DP- *	370575	YGA- P
372111	DPQ-	370576	YGB- P
372112	DPR-	370579	YGE- P
372113	DPS-	370610	YGH- P
372141	DPT-	370612	YGL- P
372114	DP- *		

DIAGNOSTIC PROGRAMS

HARD CORE TESTS

4HC1A Hard Core Basic Test

1. Load cards 1-13 in BCD card reader
2. Make reader ready--EOF on--START
3. Read select BCD reader in keys
4. RESET - AUTO on - LOAD

For each succeeding card--RESET and LOAD.

<u>Number</u>	<u>Test</u>	<u>Normal Halt in SR</u>
1	Ones to AC + MQ	HPR 00001
2	Zeros to AC + MQ	HPR 00002
3	Minus Alternates	HPR 00003
4	Plus Alternates	HPR 00004
5	SS 1-2-3 Off	HPR 00005
6	SS 4-5-6 Off	HPR 00006
7	SS 1-2-3 On	HPR 00007
8	SS 4-5-6 On	HPR 00010
9	Keys to ACC IORD to MQ	HPR 00011
10	Typewriter Test	HPR 00012
11	Type: Hard Core Test	HPR 00013
12	Reads Thirteen	
13	Type: Loader OK etc.	HPR 00216

1. Put card 14 before each program deck.
This is a one card BCD load to 1005.
Only one program in the reader at a time.
Decks are full BCD and must be in order.
2. Read select BCD reader in keys.
See Sense Switches listed below.
3. RESET and LOAD.

Following programs have slight changes for use without DCP.

	<u>Error Halt</u>	<u>Normal Halt in SR</u>
HC51A	HPR 51 Adr of Halt	HPR 51 00051
HC52A	HPR 52 Adr of Halt	HPR 52 00052
HC53A	HPR 53 Adr of Halt	HPR 53 00053
HC54A	HPR 54 Adr of Halt	HPR 54 00054
HC55A	HPR 55 Adr of <u>Error</u>	HPR 55 00055

Sense
Switches

- | | | |
|---|----|---|
| 1 | on | Loop routine |
| 2 | on | Bypass errors |
| 3 | on | HC55 can halt on error |
| 4 | on | HC55 bypass long typeout |
| 5 | on | No effect |
| 6 | on | Repeat program. Type out after 1000 passes. |

4HC2A Hard Core Test from Tapes

1. Load 4HC2 tape on any drive on any channel, except 1401 tapes.
2. Read select the tape drive in binary mode in the keys.
3. RESET - AUTO on - LOAD
4. For each succeeding record--RESET and LOAD

<u>Number</u>	<u>Test</u>	<u>Normal Halt in SR</u>
1	Ones to AC + MQ	HPR 00001
2	Zeros to AC + MQ	HPR 00002
3	Minus Alternates	HPR 00003
4	Plus Alternates	HPR 00004
5	SS 1-2-3 Off	HPR 00005
6	SS 4-5-6 Off	HPR 00006
7	SS 1-2-3 On	HPR 00007
8	SS 4-5-6 On	HPR 00010
9	Keys to ACC IORD to MQ	HPR 00011
10	Typewriter Test	HPR 00012
11	Type: Hard Core Test	HPR 00013
12	Reads Thirteen	
13	Type: Loader OK etc.	HPR 00216

Record 14 is a dummy--needed after each LOAD as LOAD spaces tape.

Fifteen is a loader for hard core versions of CPU diagnostics 51-55.

See Sense Switches listed below.

RESET and LOAD.

Following programs have slight changes for use without DCP.

	<u>Error Halt</u>	<u>Normal Halt in SR</u>
HC51A	HPR 51 Adr of Halt	HPR 51 00051
HC52A	HPR 52 Adr of Halt	HPR 52 00052
HC53A	HPR 53 Adr of Halt	HPR 53 00053
HC54A	HPR 54 Adr of Halt	HPR 54 00054
HC55A	HPR 55 Adr of <u>Error</u>	HPR 55 00055

Sense
Switches

- | | | |
|---|----|---|
| 1 | on | Loop routine |
| 2 | on | Bypass Errors |
| 3 | on | HC55 can halt on error |
| 4 | on | HC55 bypass long typeout |
| 5 | on | No effect |
| 6 | on | Repeat program. Type out after 1000 passes. |

7040-7044 PROGRAMS

Hard Core for CPU

4HC1 Card Version	} Both Have HC51, HC52, HC53, HC54, HC55
4HC2 Tape Version	

Diagnostic Control Programs (DCP)

4DC1 for Binary Cards
4DC2 for BCD Cards
4DC3 for Taped Programs

CPU Diagnostics

4M51	} Run as a sequenced group.
4M52	
4M53	
4M54	
4M55	

4M56 Extended Performance
4M58 Memory Protect
4M59 Interval Timer
4M61 Single Precision Floating Point
4M63 Double Precision Floating Point

Memory Diagnostics

4S83 Hi	} For 8K 8usec Memory
4S84 Lo	
4S53 Hi	} For 16K 8 or 2.5 Memory
4S54 Lo	
4S55 Hi	} For 32K 8 or 2.5 Memory
4S56 Lo	

Systems Test

4SY1 16K or 32K Memory
4SY3 8K Memory

Utility

4UT1 Diagnostic Tape Generator
4UT2 1414 Simulator
4UT3 Diagnostic Tape Punch-Out

7040-7044 I-O PROGRAMS

Typewriter

4TY1 Typewriter

Card Machines

4RP2 1402 Reader/Punch
4RP6 1622 Reader/Punch
4PR3 1403 Printer

Channel

4CH1 Basic Overlap Test

Tape Diagnostics

4T51 Basic, Part I
4T52 Basic, Part II
4T55 Gap Tests
4T57 Compatibility

1301/7320 File

4F01 7631 Control Unit Test (Both)
4F09 Format/Home Address Generator (Both)
4F10 1301 Surface Analysis
4DR1 7320 Surface Analysis

1401 Diagnostics

4C51 7040/44 to 1401 Interface
4C52 1401 Answer-Back
For 4C51 and 4SY1
4C53 Small 1401 Answer-Back
For 4C51 and 4SY1

Remote Inquiry Typewriter

4MQ1 Diagnostic

Paper Tape

4PT1 Channel A Only
4PT3 Overlap Channels Only

Direct Data

4C55 Master Program
4C56 Slave Program

LOAD AND GO

From Binary Cards

1. Load 4DC1 in the card reader with other desired binary decks following.
2. EOF on - START.
3. Set panel keys to +0762 030 01230.
4. RESET - AUTO on - LOAD

Halt 00000 will display contents of 472 in the Acc and contents of 471 in the MQ. If the configuration words displayed are not correct, set AUTO off and manually load locations 472 and 471 with configuration words 1 and 2 respectively.

5. AUTO on - START

From BCD Cards

1. Load 4DC2 in the card reader with other desired BCD decks following.
2. EOF on - START.
3. Set panel keys to +0762 030 01210.
4. RESET - AUTO on - LOAD.

Halt 00000 will display contents of 472 in the Acc and contents of 471 in the MQ. If the configuration words are not correct, set AUTO off and manually load locations 472 and 471 with configuration words 1 and 2 respectively.

5. AUTO on - START.

From DCP Binary Tape

1. 4DC3 will be on the prepared tape.
2. Load tape on desired channel on tape unit 1.
3. Set proper RDS in the panel keys - +0762 000 0XXXXX.
For channel A, XXXXX equals 1221.
For channel B, XXXXX equals 2221.
For channel C, XXXXX equals 3221.
For channel D, XXXXX equals 4221.
For channel E, XXXXX equals 5221.
4. Change prefix in keys from +0 to -0.
5. Turn on Sense Switch 5.
6. RESET - AUTO on - LOAD.

Halt 00000 will display contents of 472 in the Acc and contents of 471 in the MQ. If the configuration words displayed are not correct, set AUTO off and manually load locations 472 and 471 with configuration words 1 and 2 respectively.

7. Release Sense Switch 5.
8. AUTO on - START.

CONFIGURATION WORD 1-472			CONFIGURATION WORD 2-471		
BIT	DEFINITION	BIT	DEFINITION	BIT	DEFINITION
1	1402 RDR/PCH-INTERFACE 3	S	1011 PAPER TAPE-CHANNEL A		
2	1402 COL/BIN-INTERFACE 3	01	SPARE		
3	1403 PRINTER-INTERFACE 3	02	SPARE		
4	1402 RDR/PCH-INTERFACE 1	03	SPARE		
5	1402 COL/BIN-INTERFACE 1	04	SPARE		
6	1403 PRINTER-INTERFACE 1	05	1009 DATA TRANS-CHANNEL A		
7	1402 RDR/PCH-INTERFACE 2	06	1009 DATA TRANS-CHANNEL B		
8	1402 COL/BIN-INTERFACE 2	07	1009 DATA TRANS-CHANNEL C		
9	1403 PRINTER-INTERFACE 2	08	1009 DATA TRANS-CHANNEL D		
10	1401 ON CHANNEL A	09	1009 DATA TRANS-CHANNEL E		
11	1622 RDR/PCH	10	USED WITH CONF-REQ WORD FOR THE 7750/7740/1440 PROGRAM		
12	1014 REMOTE INQUIRY	11	7750/7740/1440-CHANNEL B		
13	DIRECT DATA INTERFACES	12	7750/7740/1440-CHANNEL C		
14	CYLINDER MODE ON FILES	13	7750/7740/1440-CHANNEL D		
15	1301 FILE ON CHANNEL A	14	7750/7740/1440-CHANNEL E		
16	1301 FILE ON CHANNEL B	15	7750 IS THE TRANS-CTRL UNIT		
17	1301 FILE ON CHANNEL C	16	7740 IS THE TRANS-CTRL UNIT		
18	1301 FILE ON CHANNEL D	17	1440 IS THE TRANS-CTRL UNIT		
19	DIRECT DATA ON CHAN.-E	18	RESERVED FOR 45V1,45V2		
20	DIRECT DATA ON CHAN.-D	19	USED IN CONF-REQ BY 45D3 TO DENOTE NON-1040/1046 PGM.		
21	DIRECT DATA ON CHAN.-C	20	TELETYPE-----CHANNEL A		
22	DIRECT DATA ON CHAN.-B	21	TELEPHONE INQ.--CHANNEL A		
23	TAPES AVAILABLE-CHAN-E	22	SHARED FILE		
24	TAPES AVAILABLE-CHAN-D	23	SPARE		
25	TAPES AVAILABLE-CHAN-C	24	SPARE		
26	TAPES AVAILABLE-CHAN-B	25	SPARE		
27	TAPES AVAILABLE-CHAN-A	26	SPARE		
28	DOUBLE PRECISION F-P	27	SPARE		
29	SINGLE PRECISION F-P	28	SPARE		
30	INTERVAL TIMER-16 MILLISEC.	29	SPARE		
31	STORAGE PROTECT	30	INTERVAL TIMER-1 MILLISEC.		
32	EXTENDED PERFORMANCE	31	NEED FILE-----CHANNEL A		
33	4-00 4 K MEMORY SIZE	32	NEED FILE-----CHANNEL B		
33	4-01 8 K MEMORY SIZE	33	NEED FILE-----CHANNEL C		
33	4-10 16K MEMORY SIZE	34	NEED FILE-----CHANNEL D		
33	4-11 32K MEMORY SIZE	35	NEED FILE-----CHANNEL E		
35	0 8.0 MICROSECOND STORAGE				
35	1 2.5 MICROSECOND STORAGE				

Notes

IBM Customer Engineering Handbook, 7040-7044 Data Processing System, Form 223-2640-2

From _____ Office No. _____

Address comments about this handbook to:

IBM Corporation, CE Manuals, Dept. B95, PO Box 390, Poughkeepsie, N.Y. 12602 5/64:500-EP-92

FIRST CLASS
PERMIT NO. 81
POUGHKEEPSIE, N. Y.

BUSINESS REPLY MAIL

NO POSTAGE STAMP NECESSARY IF MAILED IN U.S.A.

POSTAGE WILL BE PAID BY

IBM Corporation
P.O. Box 390
Poughkeepsie, N.Y. 12602

Attn: CE Manuals, Department B95