

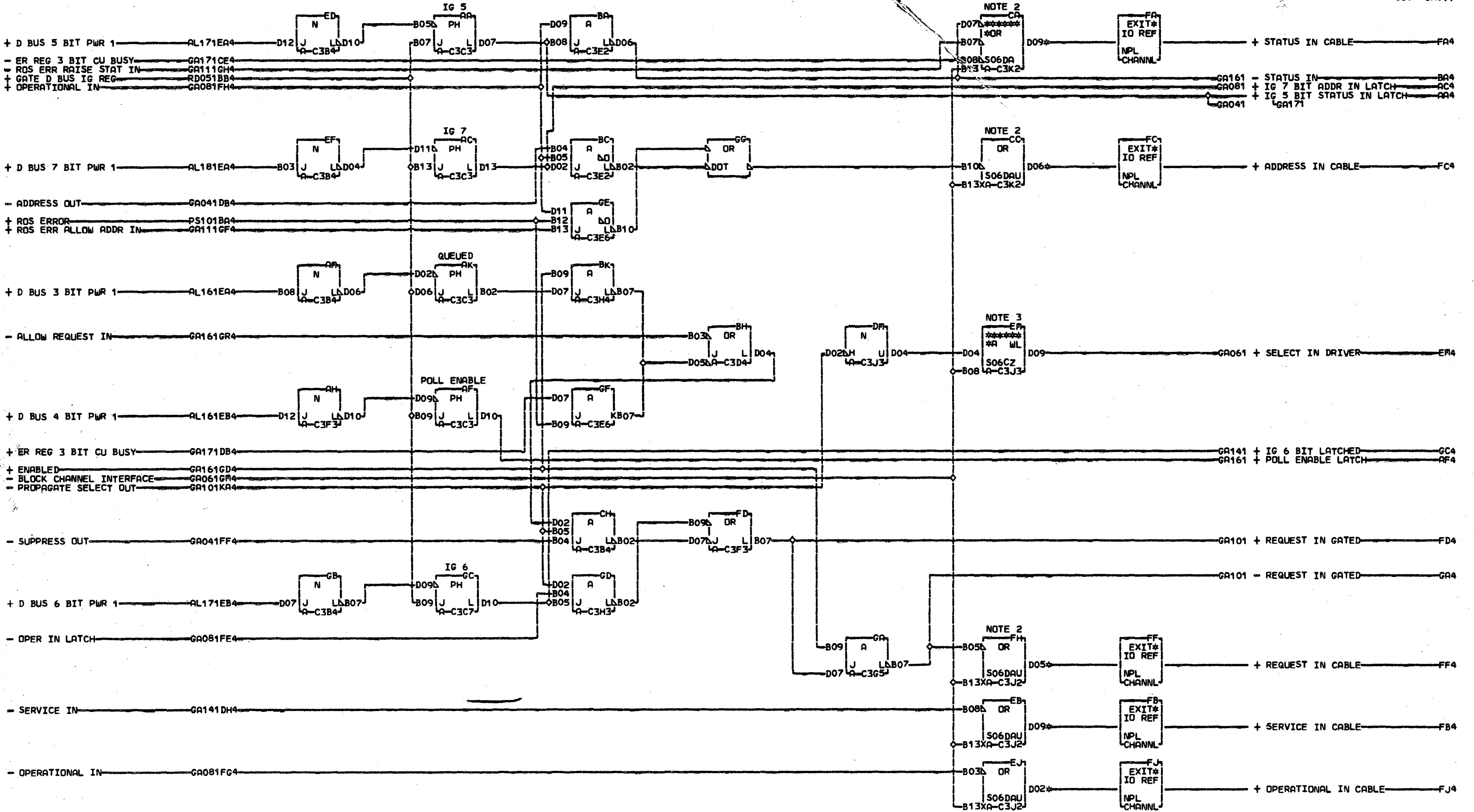
NOTE 1. ALL LINES EXITING TO NEXT CU LISTED SECOND G FOR EACH NET IN CONNECTOR A LISTO POSITION M3.
 0 NOTE 2. ALL CIRCUITS ON 1443 0 CARDS WILL BE DEGATED IF THE 1 B13 PIN INPUT IS MINUS

DA4 A-C3N3B03	01A-C3M3B08
01A-C3M3B03	DF4 A-C3N3D09
DB4 A-C3N3D04	01A-C3M3D09
01A-C3M3D04	DG4 A-C3N3B10
DC4 A-C3N3B05	01A-C3M3B10
01A-C3M3B05	DH4 A-C3N3D11
DD4 A-C3N3D06	01A-C3M3D11
01A-C3M3D06	DJ4 A-C3N3B12
DE4 A-C3N3B08	01A-C3M3B12

LOC. TYPE

A-C3E2	0000
A-C3F2	0000
A-C3K2	1443
A-C3K5	0015
A-C3L2	1443

BUS IN LINE DRIVERS		
E.C. HISTORY	MACH. 2314-FCU	G
416120 420912	FRAME 01	A
416123		0
420908		0
420906	IBM CORP. GPD	1
DATE LAST EC	PeN. 2209360	000
08-28-67 420907		

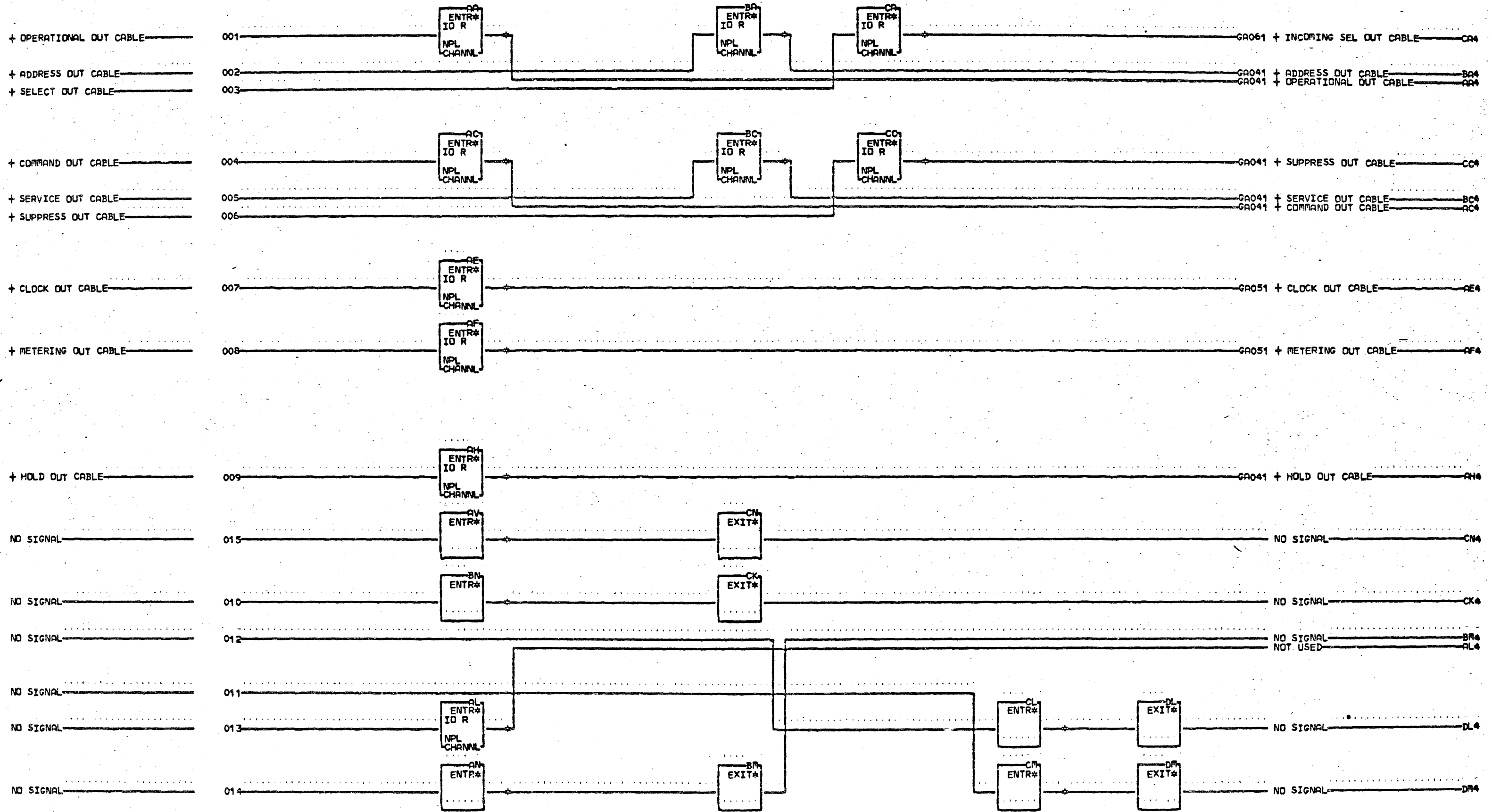


NOTE 1. ALL LINES EXITING TO NEXT CU LISTED SECOND G FOR EACH NET IN CONNECTOR A LISTO POSITIONS M4 AND M5.
 NOTE 2. A MINUS INPUT AT B13 1 PIN WILL DEGATE THESE CIRCUITS
 NOTE 3. A MINUS INPUT AT B08 WILL DEGATE THIS CIRCUIT

CA4 A-C3N4D04
 01A-C3M5D06
 01A-C3M4D04
 CC4 A-C3N4B05
 01A-C3M4B05
 EB4 A-C3N4D06
 01A-C3M4D06
 EJ4 A-C3N4B03
 01A-C3M4B03
 FH4 A-C3N5D06

LOC.	TYPE	LOC.	TYPE
A-C3B4	0000	A-C3H4	0000
A-C3C3	0813	A-C3J2	1443
A-C3C7	0813	A-C3J3	1438
A-C3D4	0000	A-C3K2	1443
A-C3E2	0000		
A-C3E6	0000		
A-C3F3	0000		
A-C3G5	0000		
A-C3H3	0000		

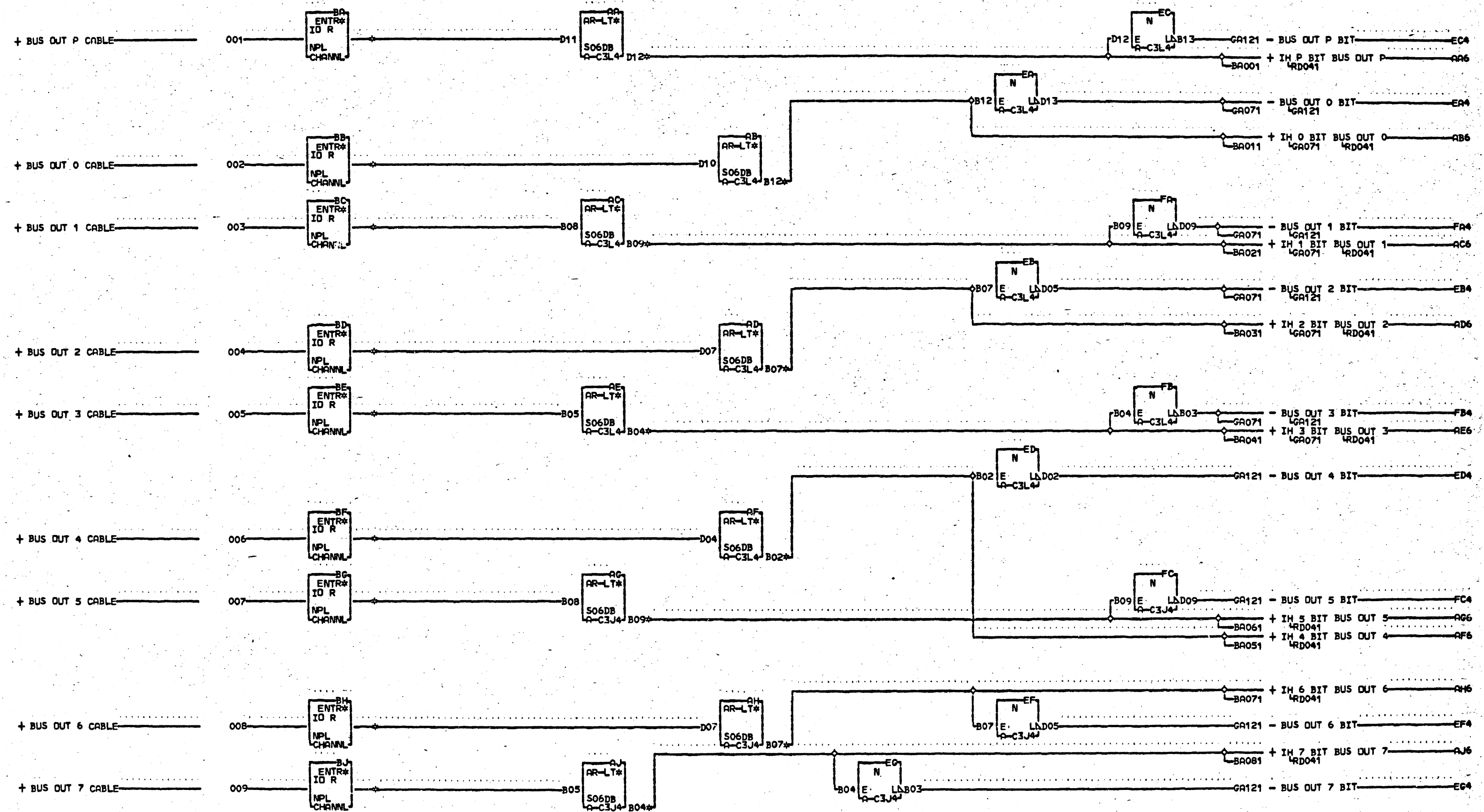
CHANNEL TAGS IN AND SELECTION			
DRIVERS IG REGISTER			
E.C.	HISTORY	MACH.	FCU
416123	420908		
416125	420906	FRAME	01
420637	420912		
420903	420907	IBM CORP. GPD	
DATE	LAST EC		000
01-22-68	420919	PN# 2209361	



NOTE ALL SIGNALS ALSO
EXIT TO NEXT CU
G ON SOCKETS M4 AND
A M5 OF CONNECTOR
O LIST, EXCEPT SEL OUT,
2 AND CE ON LINE.
1

AA4 A-C3N5D13	01A-C3M5B12	BC4 A-C3N4D13	CA4 A-C3N5B08
01A-C3M5D13	AL4 A-C3N5B10	01A-C3M4D13	01A-C3M5B08
AC4 A-C3N4D11	01A-C3M5B10	BN4 A-C3N3D13	
01A-C3M4D11	AN4 A-C3N5D11	01A-C3M3D13	
RE4 A-C3N5B03	01A-C3M5D11	CA4 A-C3N4D09	
01A-C3M5B03	AV4 A-C3N2D13	CC4 A-C3N4B12	
AF4 A-C3N5D04	01A-C3M2D13	01A-C3M4B12	
01A-C3M5D04	BA4 A-C3N4B10	CL4 A-C3N5D09	
AH4 A-C3N5B12	01A-C3M4B10	01A-C3M5D09	

FEED THRU PAGE	
E.C. HISTORY	MACH. 2314-FCU
416120	FRAME 01
416123	IBR CORP. GPD
420908	P. No. 2209362
DATE LAST EC	
07-01-67 420906	

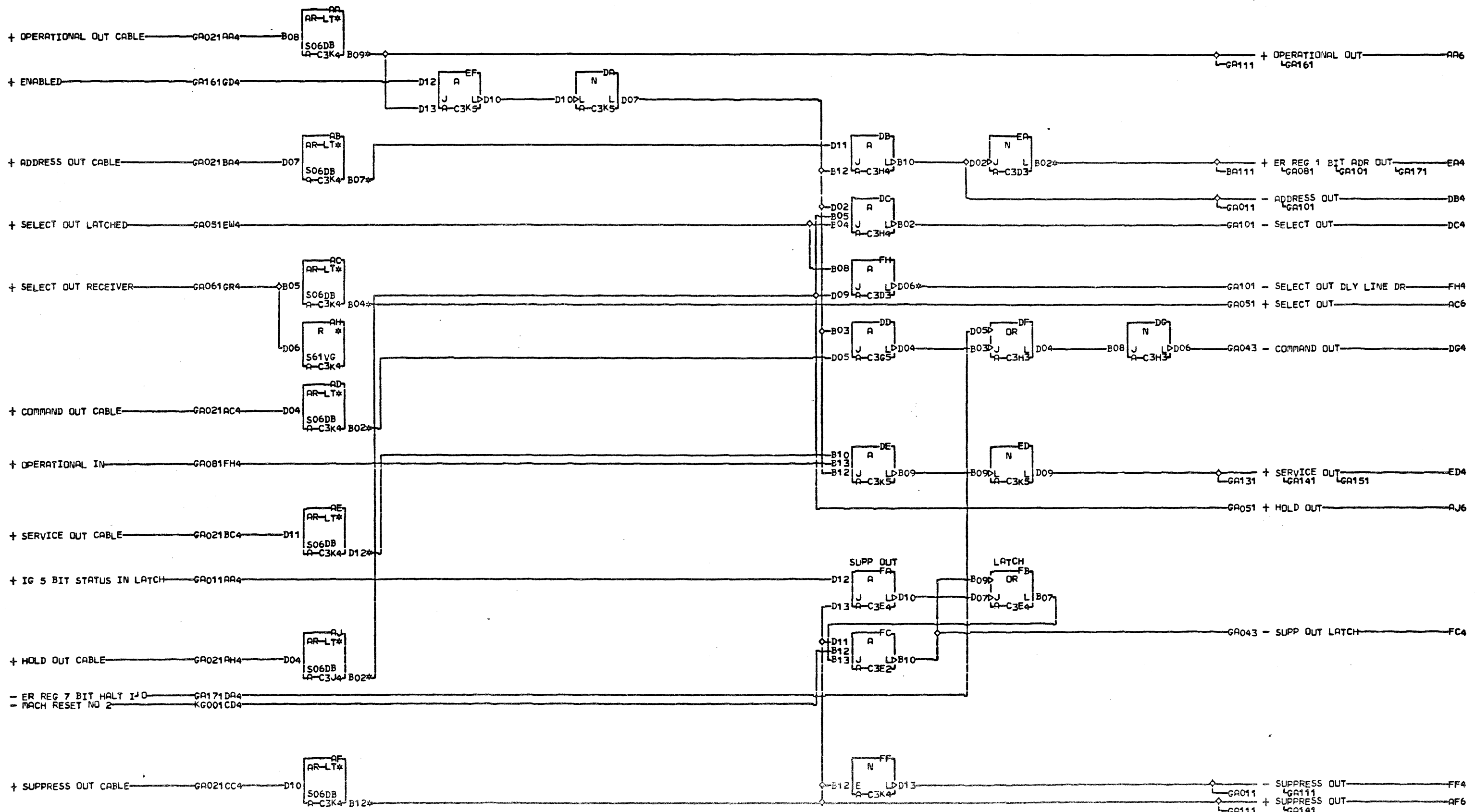


NOTE: INCOMING SIGNALS
ALSO EXIT TO NEXT CU
ON SOCKET M2 IN
CONNECTOR LIST.

AA6 A-C3A5D02	01A-B3N7B07	AD6 A-C3A5D04	01A-B3N7B09	AG6 A-C3A5D06	01A-B3N7D11	BA4 A-C3N2B03	01A-C3M2B08
01A-B1A3D02	RESISTOR	01A-B1A3D04	RESISTOR	01A-B1A3D06	RESISTOR	01A-C3M2B03	BF4 A-C3N2D09
01A-C3A7D05	A-C3L4B12	01A-C3A7B08	A-C3L4B04	01A-C3A7D10	A-C3J4B07	BB4 A-C3M2D04	01A-C3M2D09
01A-B3N7D06	A-C3A5B04	01A-B3N7B08	A-C3A5D05	01A-B3N7D10	A-C3A5D07	01A-C3M2D04	BG4 A-C3N2B10
RESISTOR	01A-B1A3B04	RESISTOR	01A-B1A3D05	RESISTOR	01A-B1A3D07	BC4 A-C3M2B05	01A-C3M2B10
A-C3L4D12	01A-C3A7D07	A-C3L4B07	01A-C3A7B10	A-C3J4B09	01A-C3A7D09	01A-C3M2B05	BH4 A-C3N2D11
AB6 A-C3A5B03	01A-B3N7D07	AE6 A-C3A5B05	01A-B3N7B10	AH6 A-C3A5B07	01A-B3N7D09	BD4 A-C3N2D06	01A-C3M2D11
01A-B1A3B03	RESISTOR	01A-B1A3B05	RESISTOR	01A-B1A3B07	RESISTOR	01A-C3M2D06	BJ4 A-C3M2B12
01A-C3A7B07	A-C3L4B09	01A-C3A7B09	A-C3L4B02	01A-C3A7D11	A-C3J4B04	BE4 A-C3N2B08	01A-C3M2B12

LDC TYPE
A-C3J4 1432
A-C3L4 1432

BUS OUT LINE RECEIVERS	
E-C-HISTORY	MACH#2314-FCU
416120	
416123	FRAME 01
DATE LAST EC	IBM CORP. GPD
06-30-67 420906	P.N. 2209363

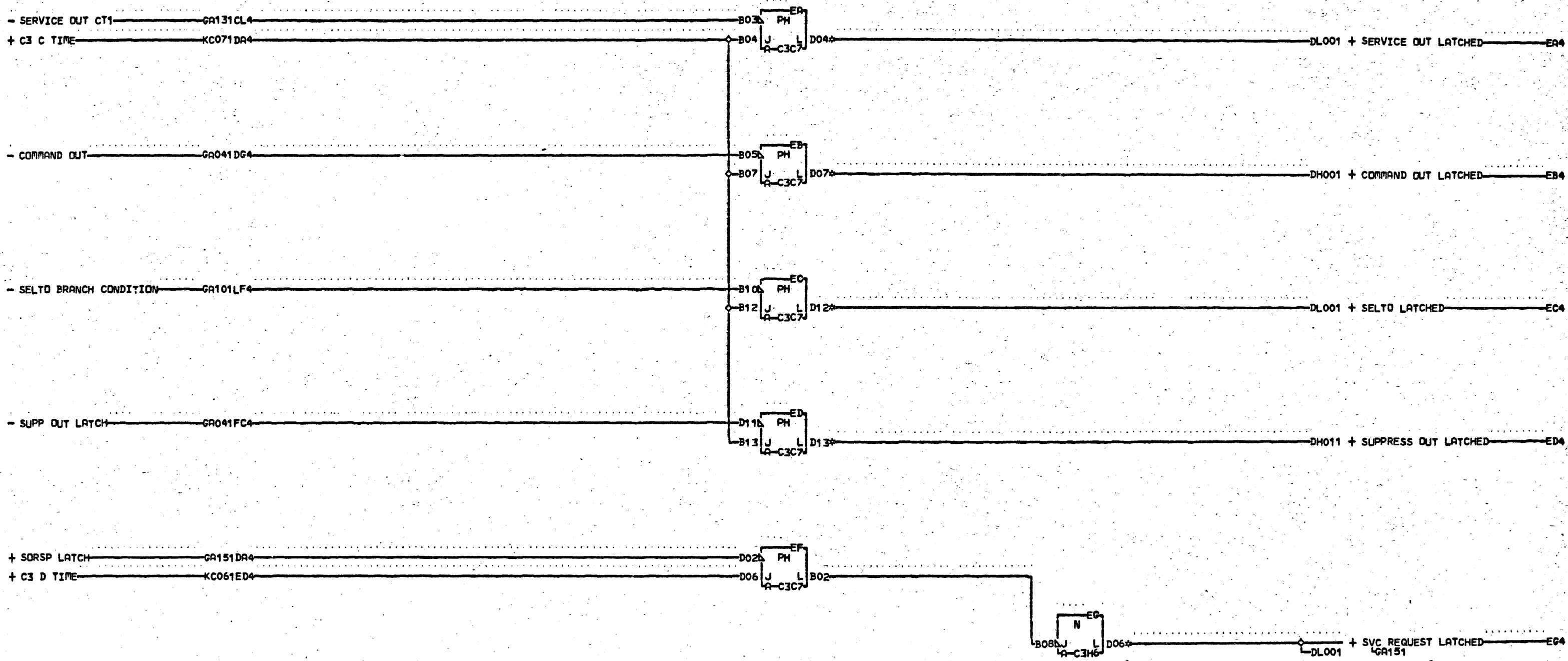


AA6	RESISTOR	A-C3K4D12
AB6	RESISTOR	A-C3K4B09
AC6	RESISTOR	A-C3K4B07
AD6	RESISTOR	A-C3K4B04
AE6	RESISTOR	A-C3K4B02
AF6	RESISTOR	A-C3K4B12
AJ6	RESISTOR	A-C3K4B02
EA4	RESISTOR	A-C3K4B04
FH4	RESISTOR	A-C3K4B02
FC4	RESISTOR	A-C3K4B02
FF4	RESISTOR	A-C3K4B02
AF6	RESISTOR	A-C3K4B12

LUC	TYPE
A-C3D3	0199
A-C3E2	0000
A-C3E4	0000
A-C3G5	0000
A-C3H3	0000
A-C3H4	0000
A-C3J4	1432
A-C3K4	1432
A-C3K5	0015

NPL CHANNEL TAGS OUT			
416120	420908	MACH#2314-FCU	G
416122	420906	FRAME	01
416124	420912		4
420903		IBM CORP. GPD	1
DATE	LAST EC		000
08-28-67	420907	P.N. 2209364	

GA041
000



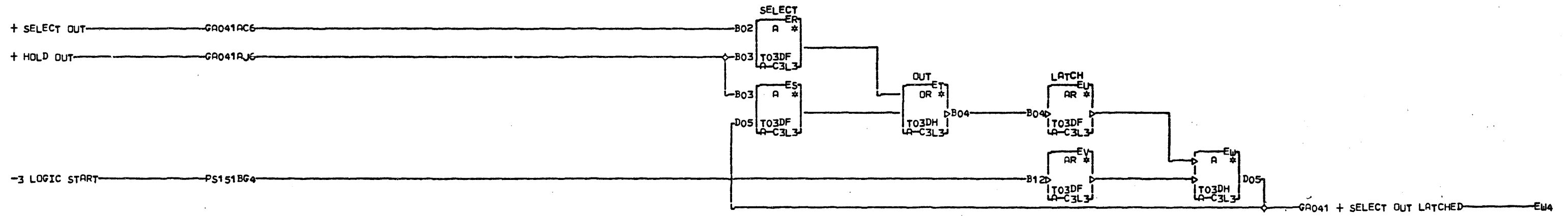
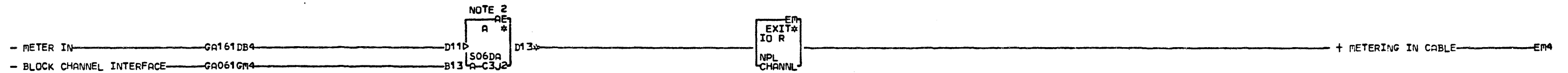
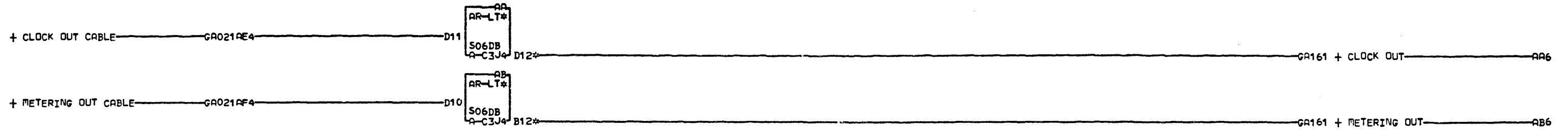
EA4 A-C3A3D04 01A-C1A6B12
 01A-C1A6D04
 EB4 A-C3A3B04
 01A-C1A6B04
 EC4 A-C3A3B03
 01A-C1A6B03
 ED4 A-C3A3B05
 01A-C1A6B05
 EG4 A-C3A3B12

LOC. TYPE
 A-C3C7 0813
 A-C3H6 0000

NPL CHANNEL TAG LATCHES	
E.C. HISTORY 416120	MACH#2314-FCU FRAME 01
DATE LAST EC 07-01-66 416125	IBM CORP. GPD P.No. 2209365

000

6
0
4
3

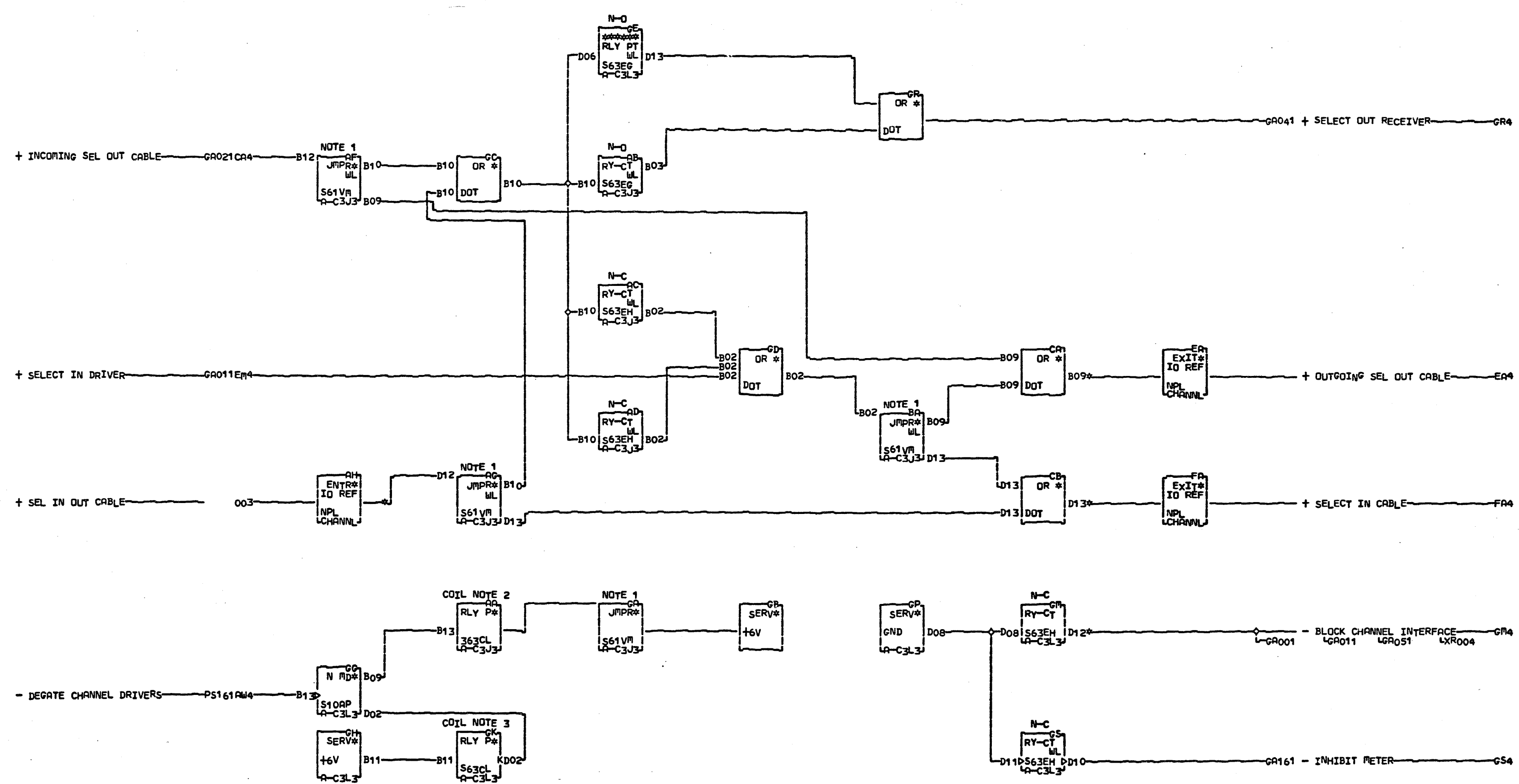


NOTE 1. METERING IN LINE
 EXITS TO CHANNEL
 ON NSB05 AND TO
 NEXT CU ON MSB05.
 NOTE 2. A MINUS INPUT AT B13
 PIN WILL DEGATE THIS CIRCUIT

AA6 RESISTOR
 A-C3J4D12
 AB6 RESISTOR
 A-C3J4B12
 AE4 A-C3NSB05
 01A-C3MSB05

LOC. TYPE
 A-C3J2 1443
 A-C3J4 1432
 A-C3L3 1452

METERING CONTROL LINES AND IG GATE	
E.C. HISTORY	MACH. 2314-FCU
416120	
420906	FRAME 01
420912	IBM CORP. GPD
DATE	LAST EC
08-28-67	420907
P.N. 2209366	

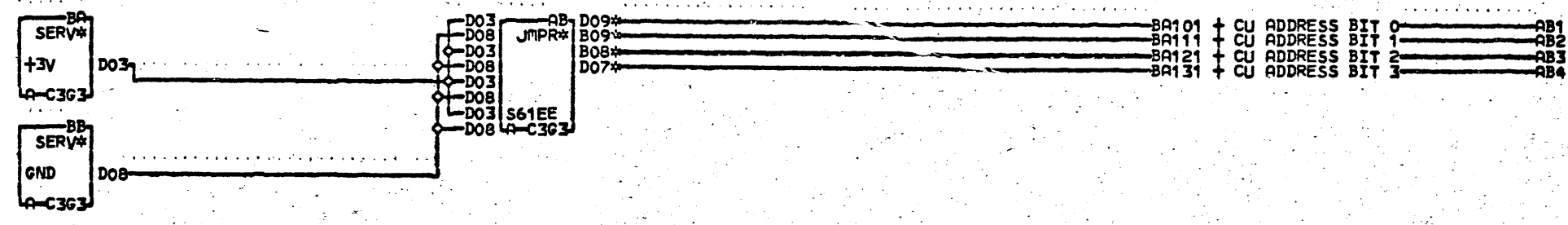
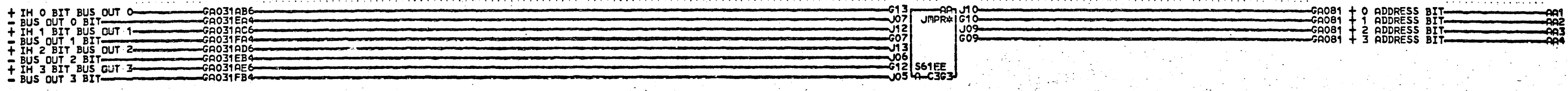


NOTE 1
FOR JUMPERING
G INSTRUCTIONS REFER TO FEMM
A NOTE 2. CONTROLS RELAY POINTS
0 LOCATED AT 3D 3F AND 3H
1 NOTE 3. CONTROLS RELAY POINTS
1 LOCATED AT 3B 6L AND 6N

AH4 A-C3M4B08
CA4 A-C3M4D09
CB4 A-C3N4B08
GR4 RESISTOR
A-C3L3D12

LOC. TYPE
A-C3J3 1438
A-C3L3 1452

SELECT OUT BYPASS		
E.C. HISTORY	MACH. 2314-FCU	G
416120 420912	FRAME 01	0
416123	IBM CORP. SDD	6
420639		1
420906		000
DATE LAST EC	P.No. 2209367	
11-02-67 420907		



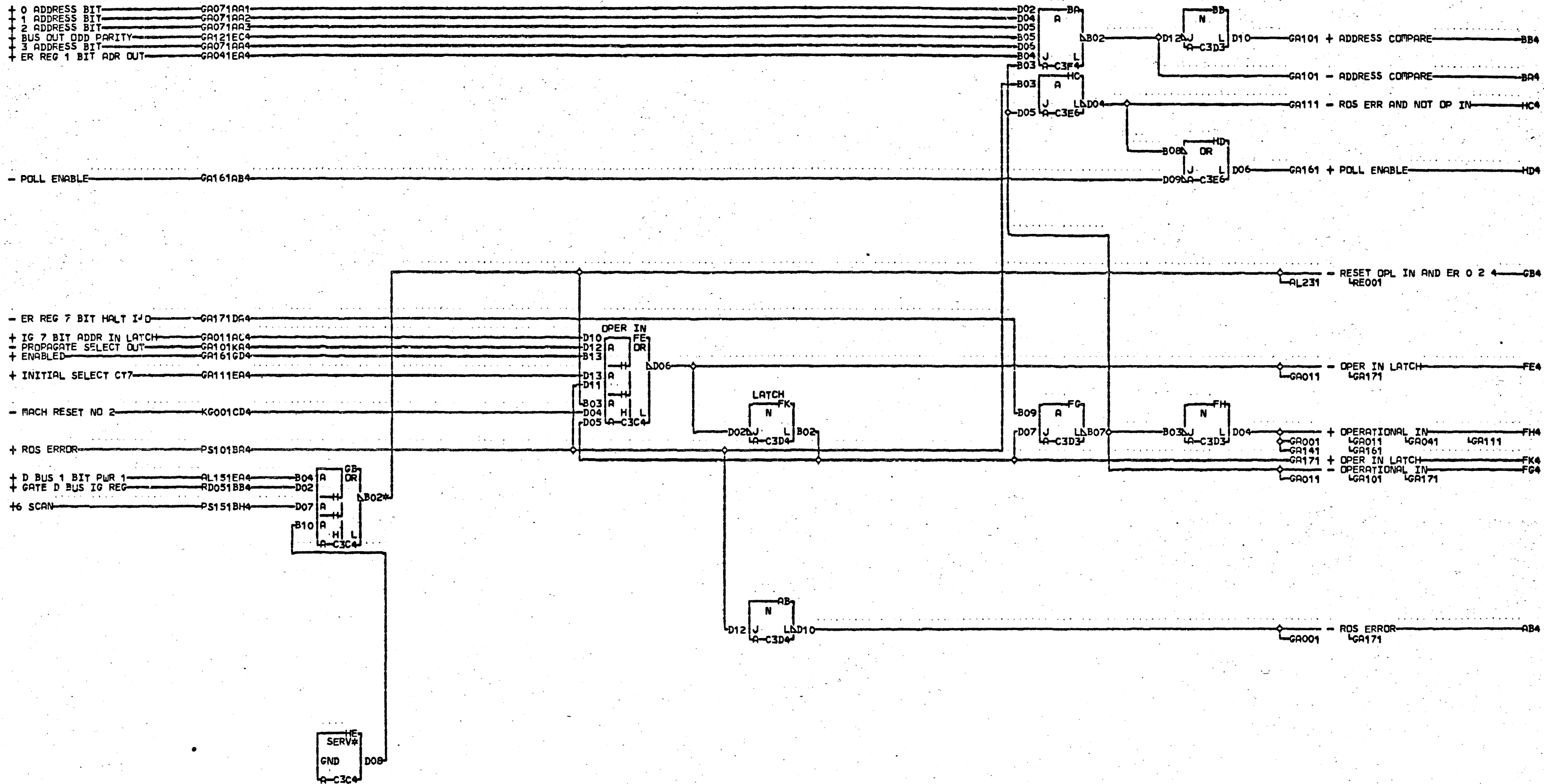
1-1026
000

AB1 A-C3A2B02	01A-B3N2B10
01A-B3N2B02	01A-B3A7B09
01A-B3A7B07	01A-B1N6B09
01A-B1N6B07	AB4 A-C3A2B12
AB2 A-C3A2B09	01A-B3N2B12
01A-B3N2B09	01A-B3A7B10
01A-B3A7B09	01A-B1N6B10
01A-B1N6B09	
AB3 A-C3A2B10	

LOC. TYPE
A-C3G3 4095

ADDRESS SELECT	
E.C. HISTORY	MACH. 2314-FCU
	FRAME 01
	IBM CORP. GPD
DATE LAST EC	P.No. 2209368
03-30-66 416120	

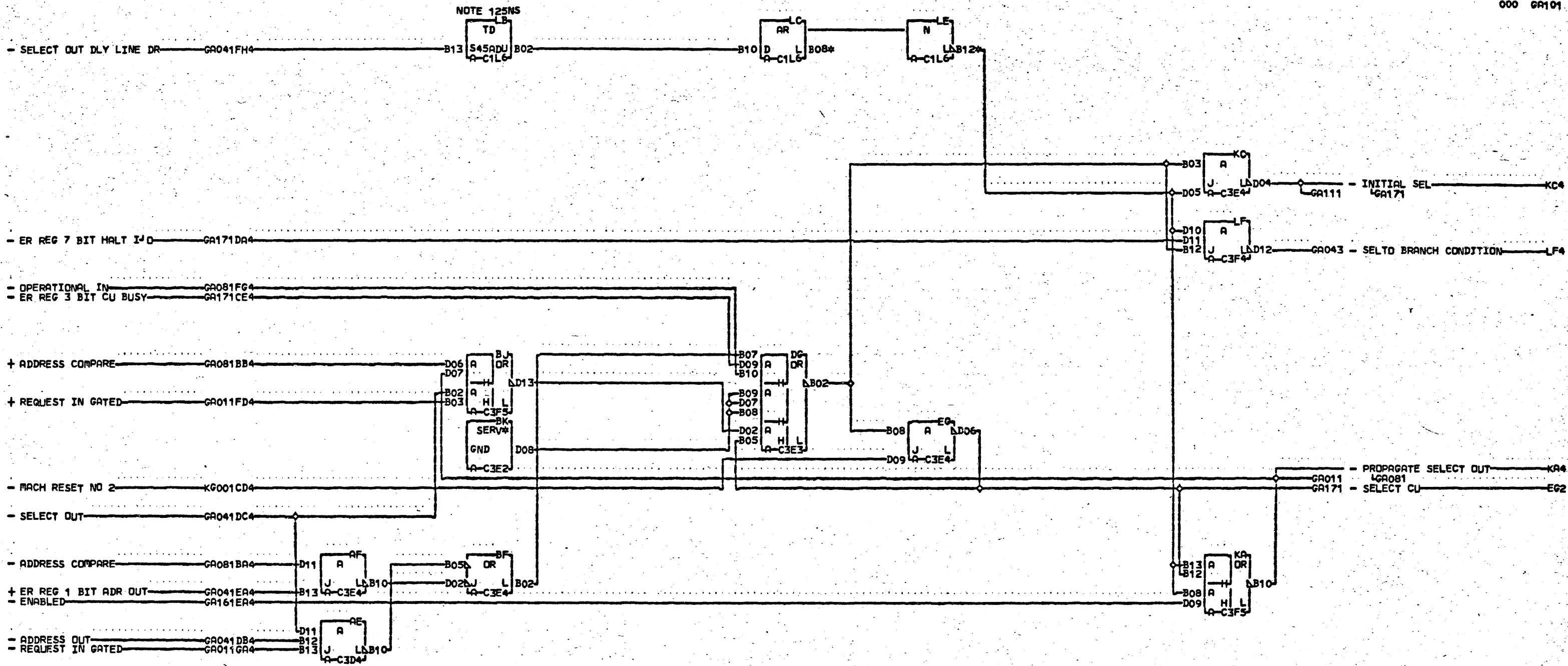
6
A
0
7
1
000



GB4 A-C3A4D12
01A-B1A6D12

LOC. TYPE
 A-C3C4 0008
 A-C3D3 0199
 A-C3D4 0000
 A-C3E6 0000
 A-C3F4 0247

ADDRESS COMPARE AND OPERATIONAL IN			
E.C. HISTORY		MACH. 2314-FCU	
416120	420903	FRAME	01
416122	420908		
416132			
420637		IBM CORP. GPD	
DATE	LAST EC		
08-03-67	420912	P.No	2209369

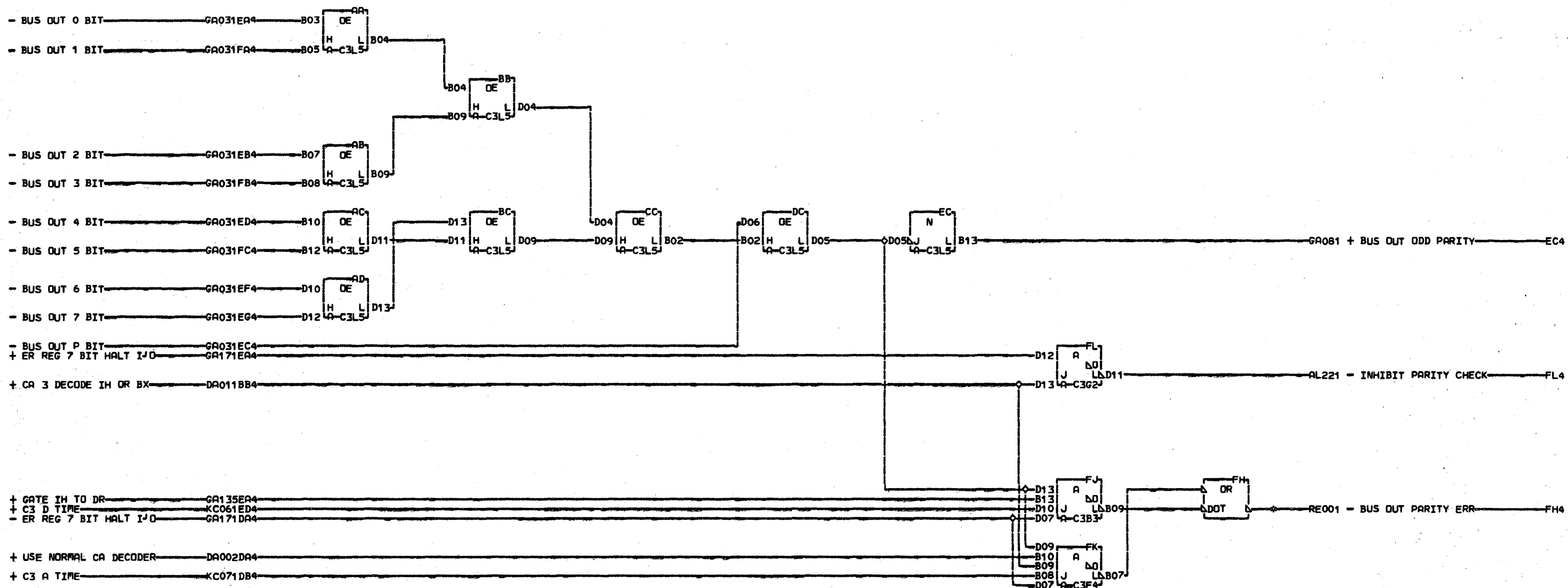


NOTE
 WIRE FOR 125NS DELAY
 G REF PAGE KC051 FOR
 A HUB ASSIGNMENTS.
 1
 0
 1
 000

LC4 RESISTOR
 A-C1L6B03
 LE4 A-C1A6D13
 01A-C3A3D13

LOC. TYPE
 A-C1L6 4015
 A-C3D4 0000
 A-C3E3 0008
 A-C3E4 0000
 A-C3F4 0247
 A-C3F5 0006

NPL POLLING AND SELECT OUT PROPAGATION		
E.C. HISTORY	MACH#2314-FCU	6
416120		1
416122	FRAME	01
416125	IBM CORP. GPD	1
DATE	LAST EC	
08-03-67	420912	
	P.No. 2209370	000



FH4 A-C3A4B10
01A-B1A6B10

LOC. TYPE
A-C3B3 0531
A-C3F4 0247
A-C3G2 0007
A-C3L5 3022

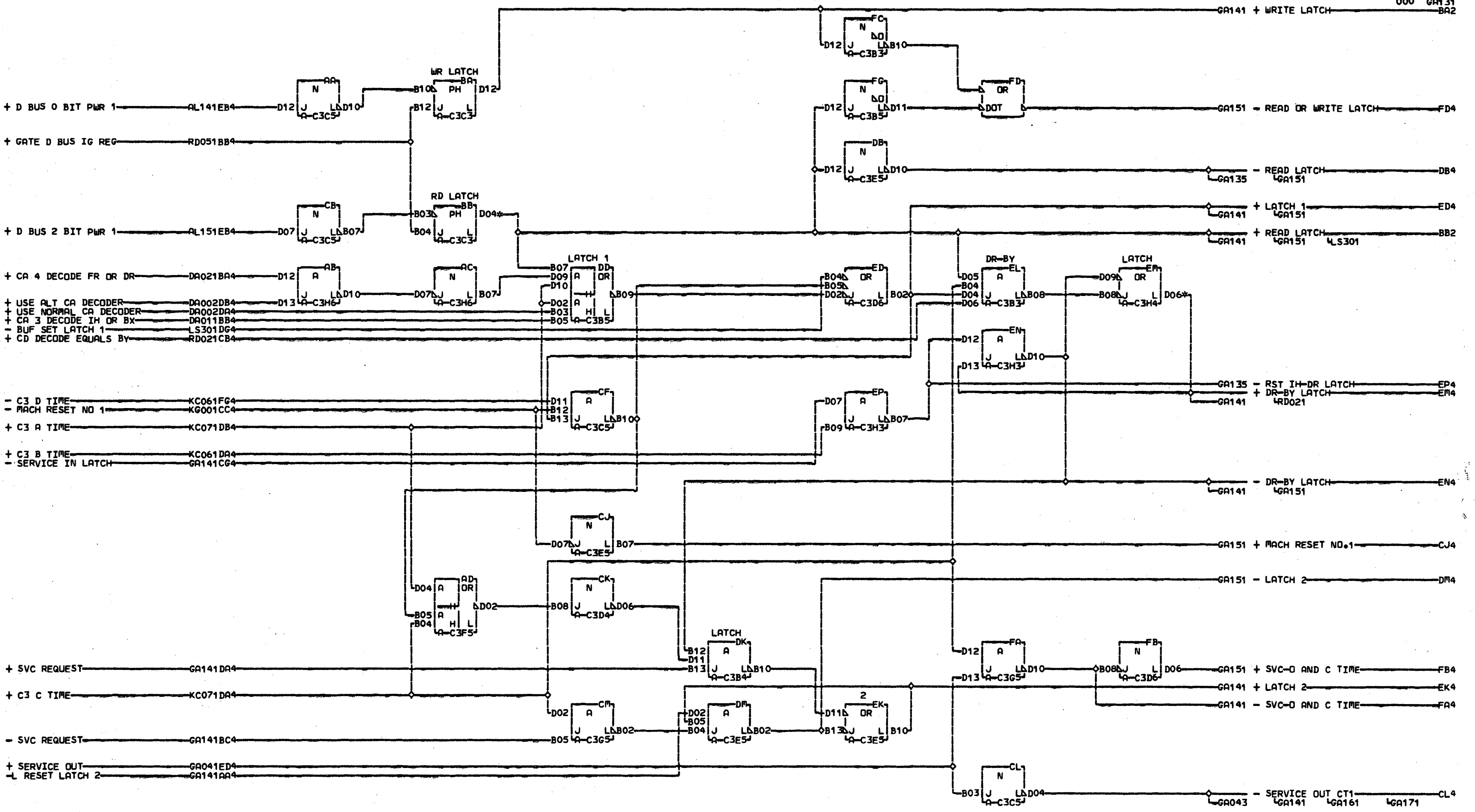
BUS OUT PARITY CHECK	
E.C. HISTORY 416120	MACH.2314-FCU FRAME 01
DATE LAST EC 01-22-68 420919	IBM CORP. GPD P.No 2209372

GA121

000

GA121

000

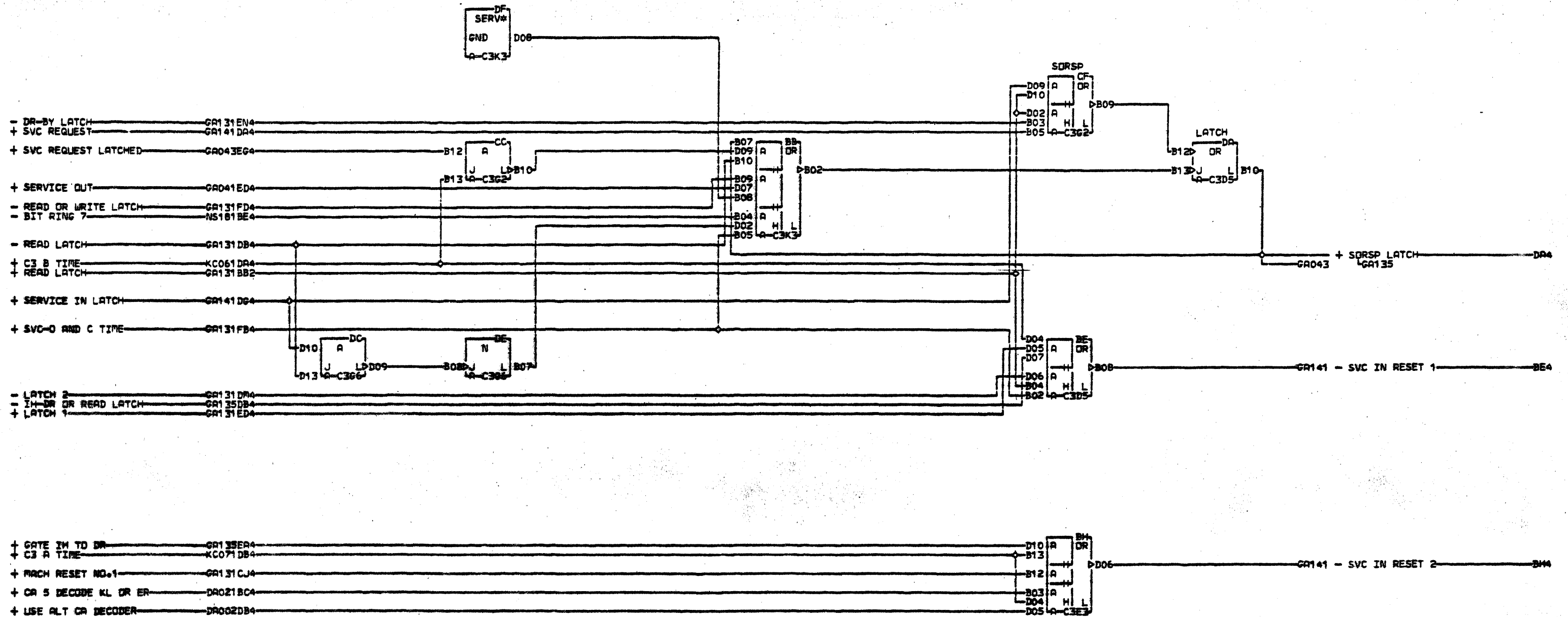


BB2 A-C3A7D12
 01A-B3N7D12
 01A-B3M6D11
 01B-A1B7D11
 01B-A1M8C04
 01B-A2M1C09
 EM4 A-C3A5D09
 01A-B1A3D09

LOC.	TYPE	LOC.	TYPE
A-C3B3	0531	A-C3G5	0000
A-C3B4	0000	A-C3H3	0000
A-C3B5	0007	A-C3H4	0000
A-C3C3	0813	A-C3H6	0000
A-C3C5	0000		
A-C3D4	0000		
A-C3D6	0000		
A-C3E5	0000		
A-C3F5	0006		

WRITE READ AND LATCH 1 AND LATCH 2			
E-C-HISTORY	416120	420912	MACH.2314-FCU
	416130		FRAME 01
	420905		
	420908		IBM CORP. GPD
	DATE	LAST EC	
01-22-68	420919		P.No. 2209373

G
A
1
3
1
000



GA151

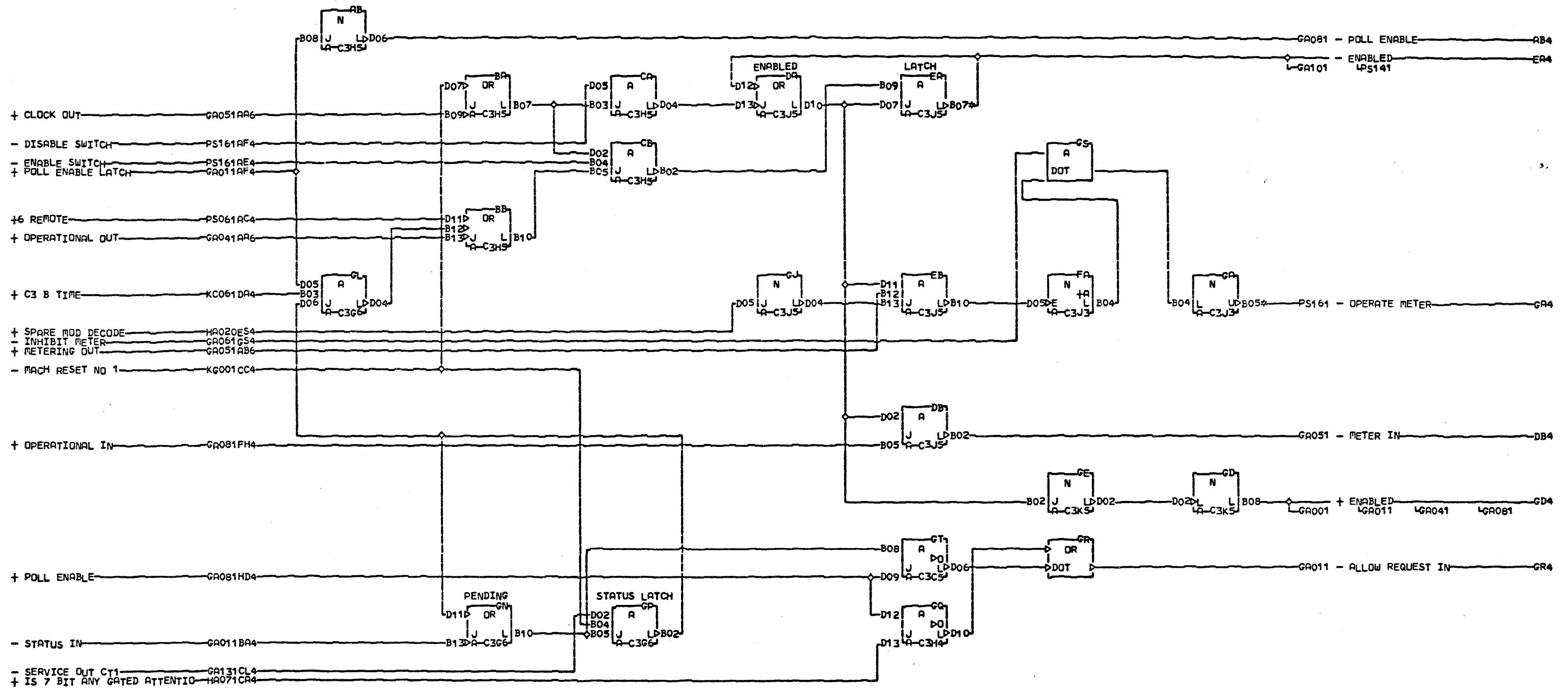
000

LOC.	TYPE
A-C3D5	0007
A-C3E3	0008
A-C3G2	0007
A-C3G6	0002
A-C3K3	0008

CT3 AND SVC IN RESETS	
E.C. HISTORY	RACH. 2344-FCU
416120	FRAME 01
416130	
420919	IBM CORP. GPD
420946	
DATE LAST EC	P.No. 2209375
04-21-69 424046	

GA151

000

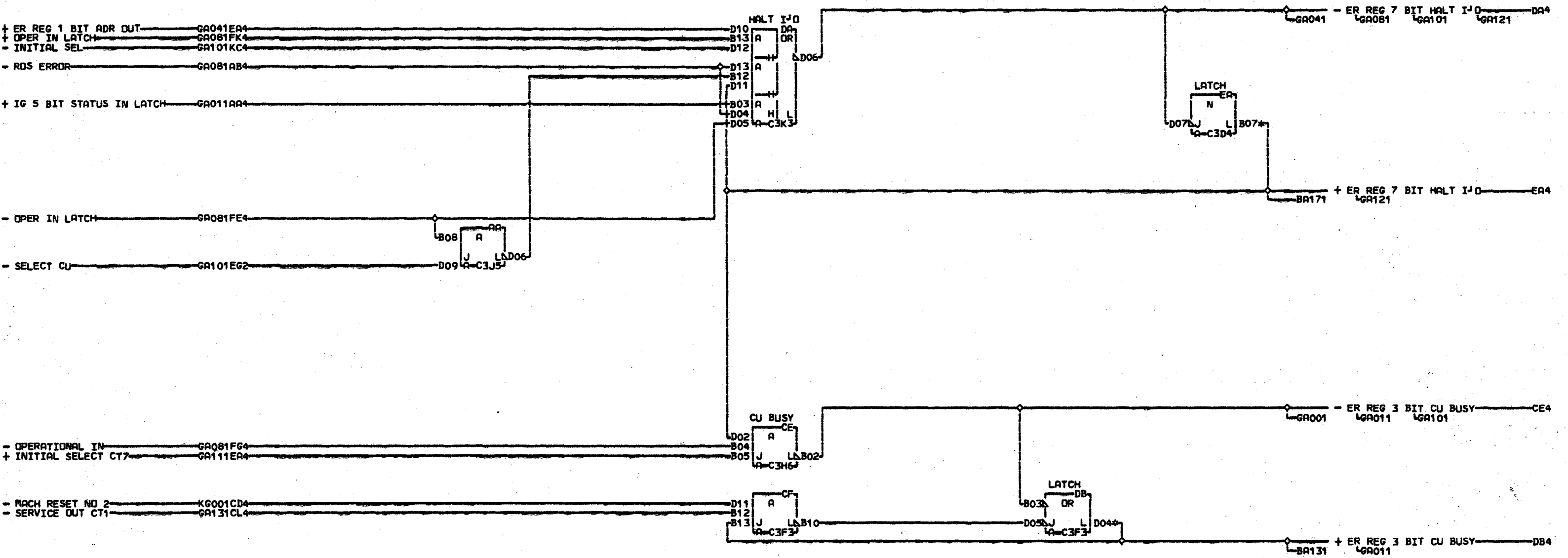


EA4 A-C3A3B02
 01A-C1A6B02
 GA4 A-C3A4D10
 01A-B1A6D10
 01A-B1K1A11
 01A-B1A5B05
 01A-B3A3B05
 01A-B1B2D12

LOC. TYPE
 A-C3C5 0000
 A-C3G6 0002
 A-C3H4 0000
 A-C3H5 0000
 A-C3J3 1438
 A-C3J5 0000
 A-C3K5 0015



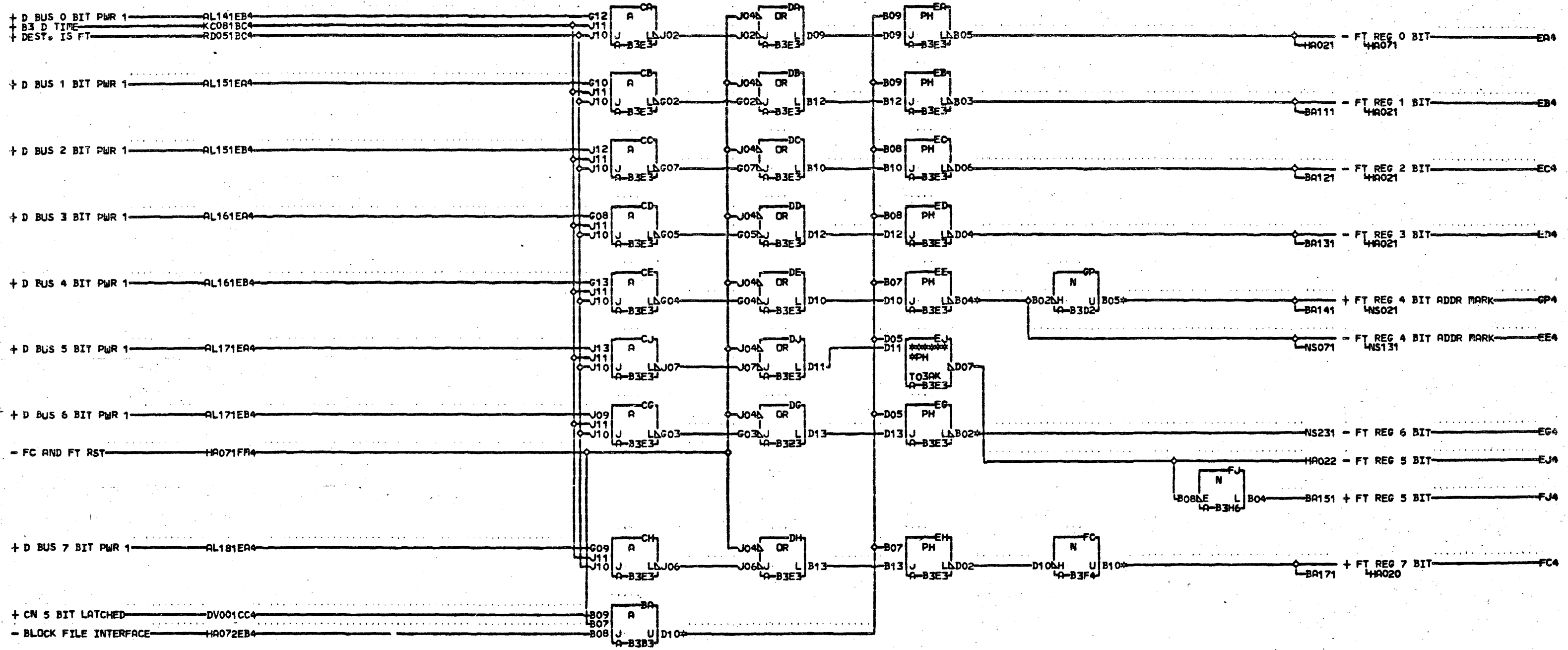
CPU PROCESS METER			
-E.C.-HISTORY-		MACH#2314-FCU	GA
416120	420906	FRAME	01
416122	420912		6
420903			1
420908		IBM CORP. GPD	
DATE	LAST EC		000
10-31-67	420907	P.N. 2209376	



DB4 A-C3A5B02
 01A-B1A3B02
 EA4 A-C3A5B08
 01A-B1A3B08

LOC. TYPE
 A-C3D4 0000
 A-C3F3 0000
 A-C3H6 0000
 A-C3J5 0000
 A-C3K3 0008

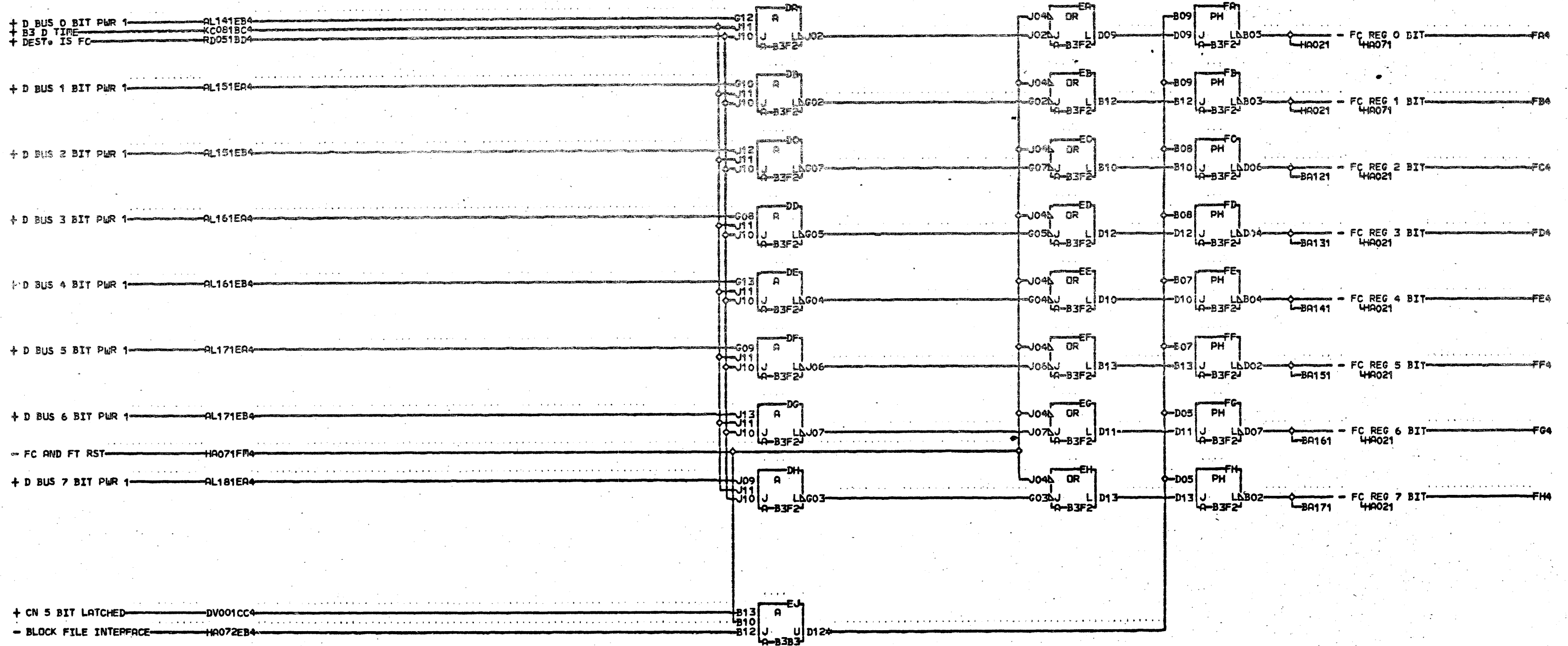
HALT I/O ER BITS 1 AND 3		MACH.2314-FCU	
E.C. HISTORY		FRAME	
416120		01	1
416122			1
416125			1
420908			1
DATE	LAST EC	IBR CORP. GPD	
01-22-68	420919	P.N. 2209377	



BA4 RESISTORS GP4 R-B3A6B03
 A-B3B3D06 01A-C2A6B03
 A-B3B3B02 RESISTOR
 EE4 A-B3A6B05 R-B3D2D02
 01A-C2A6B05
 EG4 A-B3A6D05
 01A-C2A6D05
 FC4 RESISTOR
 A-B3F4B13

LOC. TYPE
 R-B3B3 4061
 R-B3D2 0347
 R-B3E3 4283
 R-B3F4 0346
 R-B3H6 0347

FT REG	
E-C-HISTORY	MACH-2314-FCU
416120	FRAME 01
416122	IBM CORP. GPD
416125	DATE LAST EC
416126	03-27-67 420901
DATE	420901
LAST EC	420901
PO#	2209379



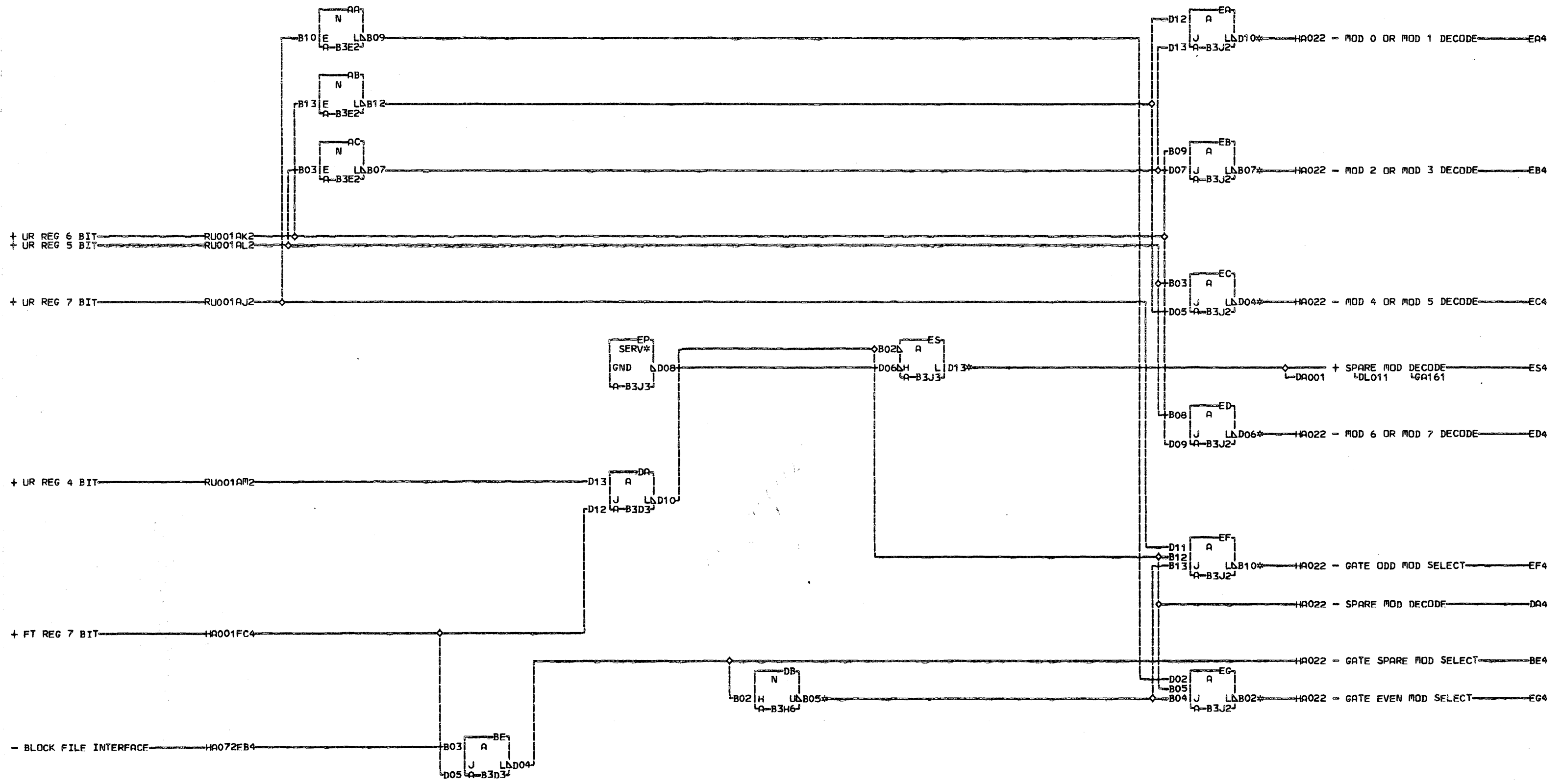
EJ4 RESISTORS
 A-B3B3D11
 A-B3B3D13

LOC. TYPE
 A-B3B3 4061
 A-B3F2 4283

FC REG	
E.C. HISTORY 416120	MACH#2314-FCU
DATE 07-01-66	FRAME 01
LAST EC 416125	IBM CORP. GPD
	P.N. 2209380

H
0011

H
0011



DB4 RESISTOR	01A-B1N6B12
A-B3H6D02	01A-B1N7B08
EA4 A-B3M4B02	01A-C1A7B08
EB4 A-B3M4D12	01A-B1A3D12
EC4 A-B3M4B13	01A-C3A5D12
ED4 A-B3M4D13	
EF4 A-B3N2D13	
EG4 A-B3N7B02	
ES4 A-B3A7B12	

LOC.	TYPE
A-B3D3	0199
A-B3E2	0347
A-B3H6	0347
A-B3J2	0199
A-B3J3	0006

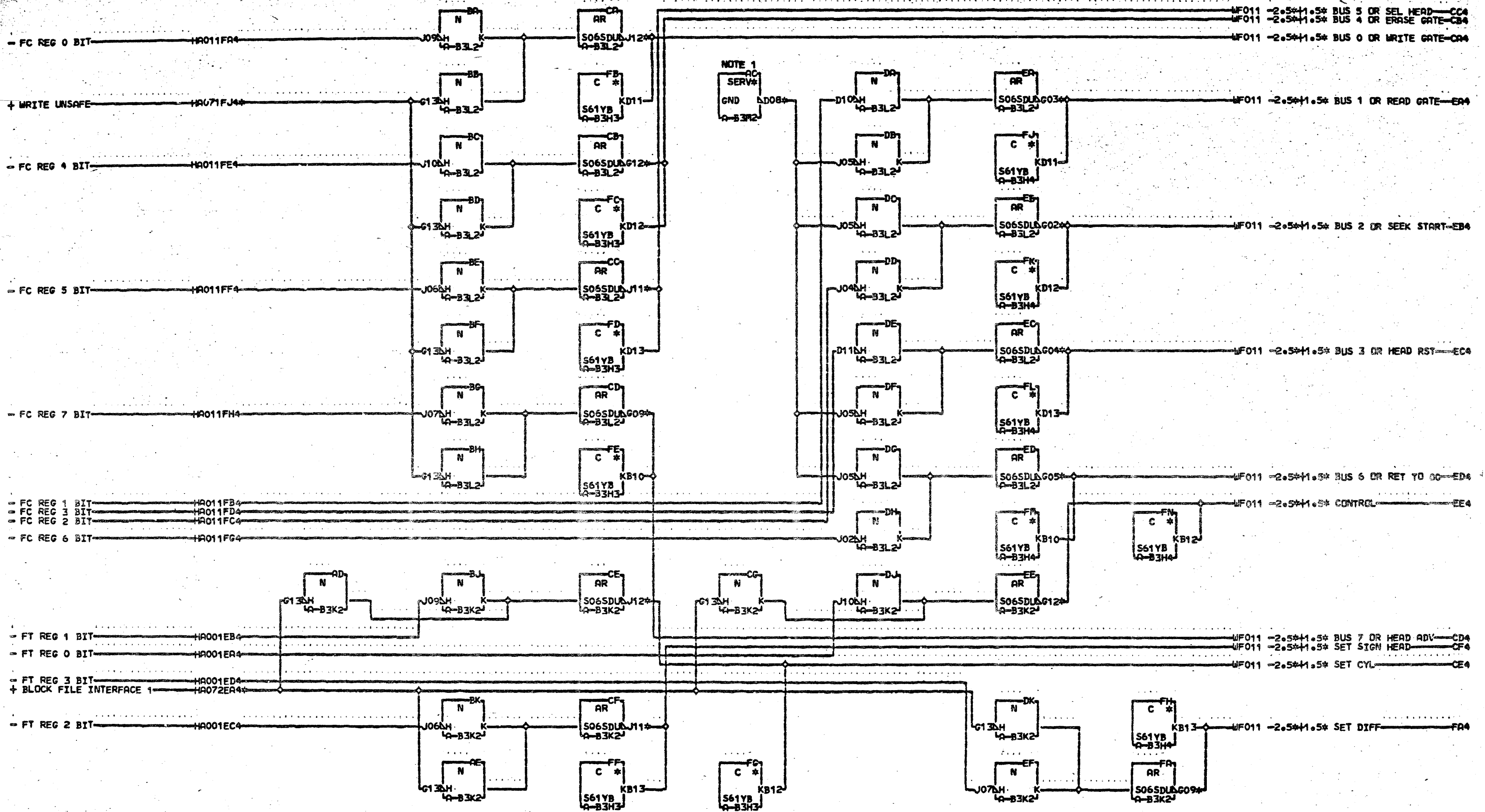
MOD SELECT DECODE			
E.C. HISTORY		MACH.2314-FCU	
416120	420903	FRAME	01
416122	420901		
416126			
416129		IBM CORP. SDD	
DATE	LAST EC		
05-09-67	420905	PoNo	2209396

H
A
O
2
0

000

H
A
O
2
0

000



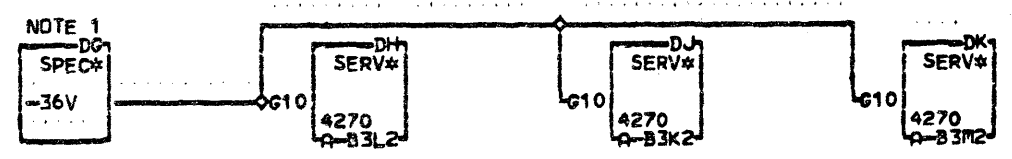
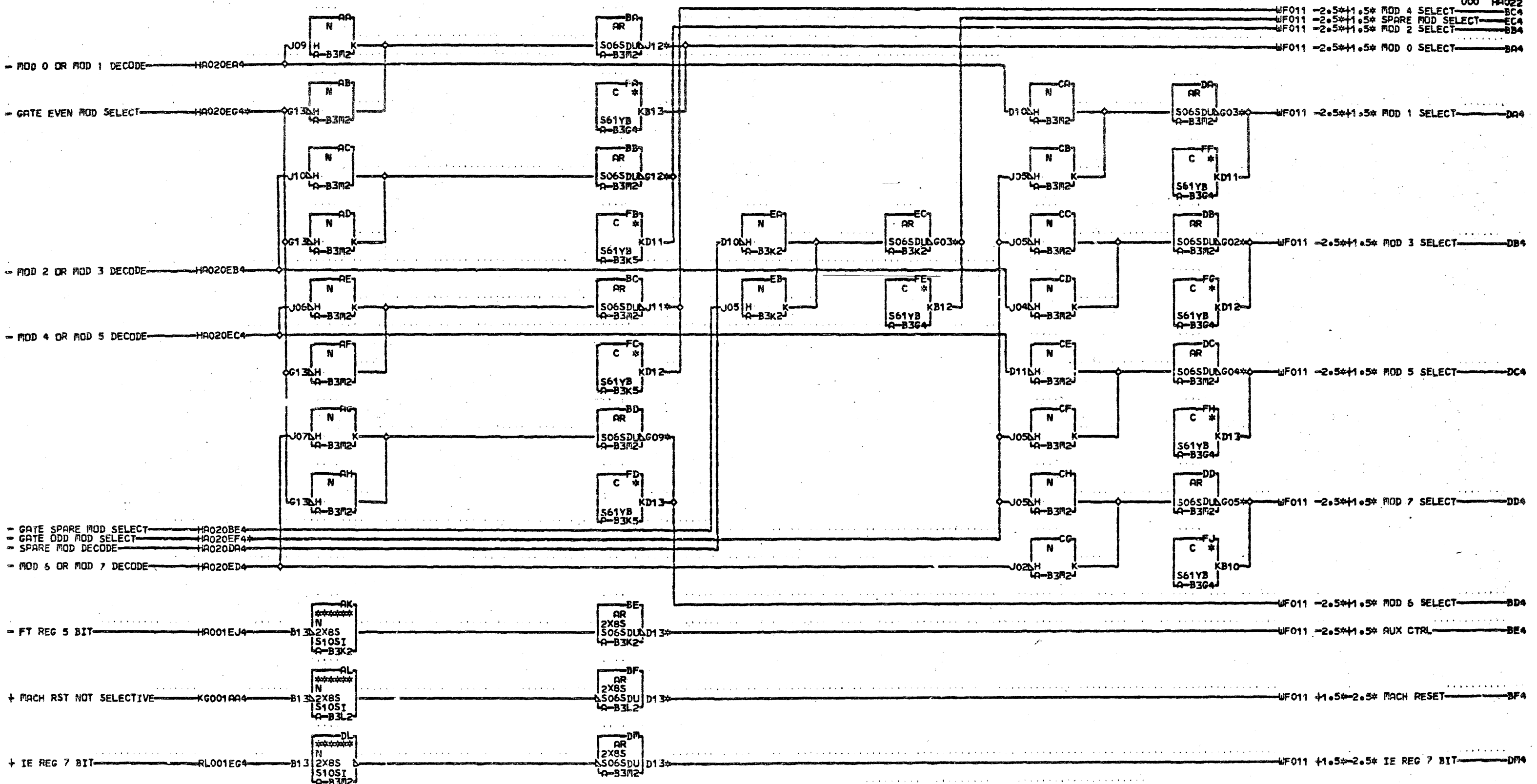
000
2021
1

HA071FJ4	RESISTOR	CB4	A-B3N3B04	EE4	A-B3N3D09
HA072EA4	RESISTOR	CC4	A-B3L2G13	FA4	A-B3N3D07
AC4	RESISTOR	CE4	A-B3N3B07		
CA4	RESISTOR	CF4	A-B3N3B08		
		EA4	A-B3K2G13		
		EB4	A-B3N3B02		
		EC4	A-B3N3E03		
		ED4	A-B3L2J05		
		EA4	A-B3N3D04		
		ED4	A-B3N3B05		

LOC.	TYPE
A-B3H3	7311
A-B3H4	7311
A-B3K2	4270
A-B3L2	4270

2314 BUSS AND TAG LINE DRIVERS.	
E-C-HISTORY	FRAMES
416120	01
416122	
416123	
416124	
DATE	LAST EC
08-30-66	416126
P.No 2209381	

000
2021
1



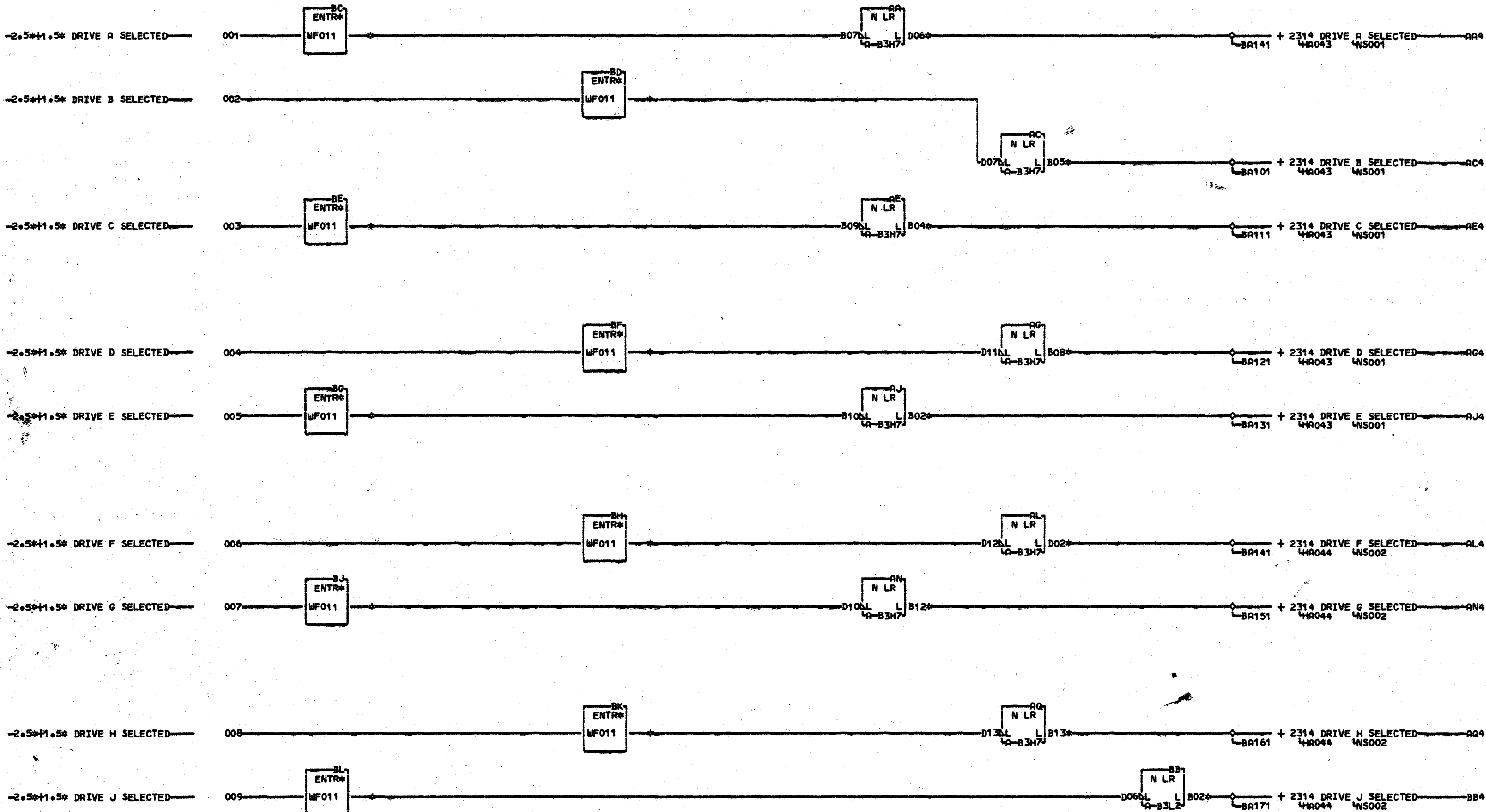
NOTE 1
THIS VOLTAGE
H FROM LAMINAR BUS
-36V BUS 2 ROW 2 B3
000

HA020EF4	BD4	A-B3N5D04	
RESISTOR	BE4	A-B3N5B02	
A-B3M2J05	BF4	A-B3N5B04	
HA020EG4	DA4	A-B3N4D04	
RESISTOR	DB4	A-B3N4D06	
A-B3M2G13	DC4	A-B3N5D02	
BC4	A-B3N4D02	DD4	A-B3N5D05
BB4	A-B3N4D05	DM4	A-B3N5B07
BC4	A-B3N4D07	EC4	A-B3N5D06

LOC.	TYPE
A-B3C4	7311
A-B3K2	4270
A-B3K5	7311
A-B3L2	4270
A-B3M2	4270

MOD SELECT	
E-C-HISTORY	MACH#2314-FCU
416122	416126
416123	416129
416124	416130
416125	416131
DATE	LAST EC
03-27-67	420901
P.O. No. 2209382	

HA022
000



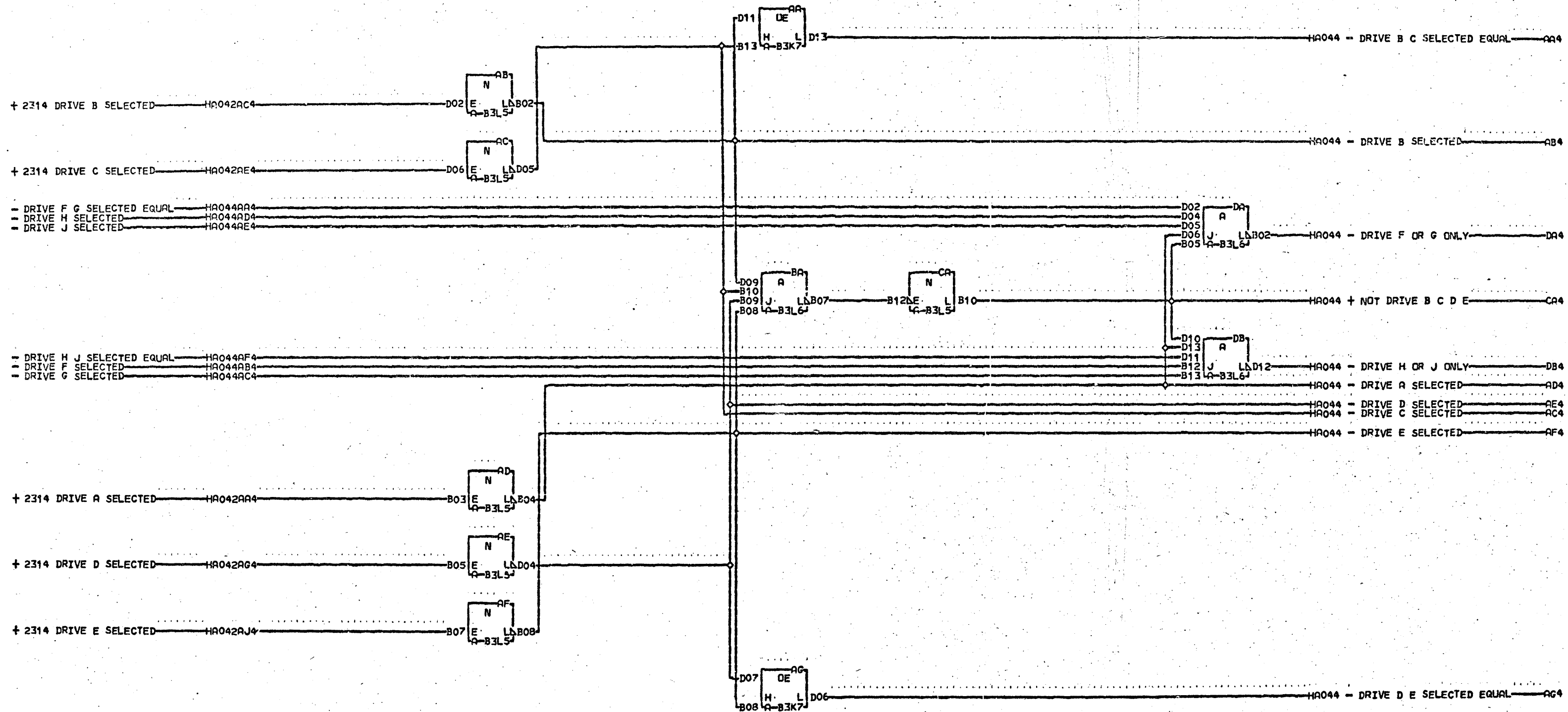
AA4 A-B3N1A09	01A-C2A5B13	AJ4 A-B3M1D11	01A-B2M8C06	BC4 A-B3A5B02	BF4 A-B3A5B05	BJ4 A-B3B5B03
01A-B2N8A04	AE4 A-B3N1A11	01A-B2M8D06	01A-B2N5B03	RESISTOR	RESISTOR	RESISTOR
01A-B2N5D13	01A-B2N8A06	01A-B2N5D11	01A-C2A5B03	A-B3J7D13	A-B3J7D09	A-B3J7D04
01A-C2A5D13	01A-B2N5D12	01A-C2A5D11	AA4 A-B3M1C09	BD4 A-B3A5B03	BG4 A-B3A5B07	BK4 A-B3B5B04
01A-B2A2D07	01A-C2A5D12	AL4 A-B3M1D09	01A-B2M8C04	RESISTOR	RESISTOR	RESISTOR
01A-B1A2D07	AG4 A-B3M1E11	01A-B2M8D04	01A-B2N5D03	A-B3J7D12	A-B3J7D06	A-B3J7D02
AC4 A-B3M1E09	01A-B2M8E06	01A-B2N5D02	01A-C2A5D03	BE4 A-B3A5B04	BH4 A-B3B5B02	BL4 A-B3B5B05
01A-B2M8E04	01A-B2N5B12	01A-C2A5D02	BB4 A-C2A6D07	RESISTOR	RESISTOR	RESISTOR
01A-B2N5B13	01A-C2A5B12	AN4 A-B3M1C11	01A-B3A6D07	A-B3J7D10	A-B3J7D05	A-B3K4B04

LOC. TYPE
 A-B3H7 0725
 A-B3J7 0720
 A-B3K4 0720
 A-B3L2 4270

2314 MODULE SELECTED	
E.C. HISTORY	FRAME 01
416120	416121
416123	416124
DATE LAST EC	P.N. 2209385
01-23-68 420919	

H
 A
 0
 4
 2
 000

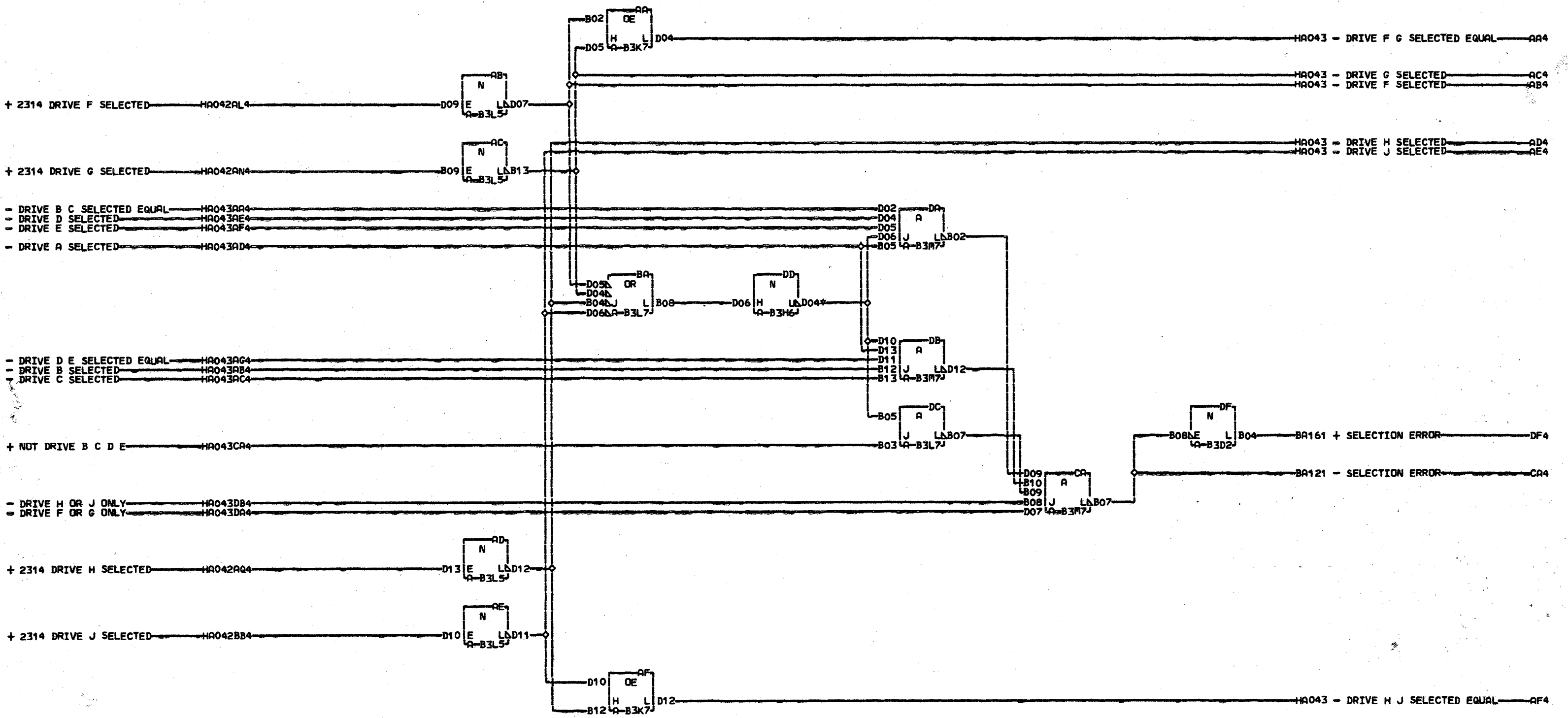
H
 A
 0
 4
 2
 000



LOC. TYPE
 A-B3K7 0243
 A-B3L5 0359
 A-B3L6 0247

MOD SELECT CHECK		MACH#2314-FCU	H A 0 4 3
PAGE 1			
E.C.-HISTORY	FRAME	01	000
DATE	IBM CORP. SDD		
03-30-66	P.No. 2209508		

HA043
 000



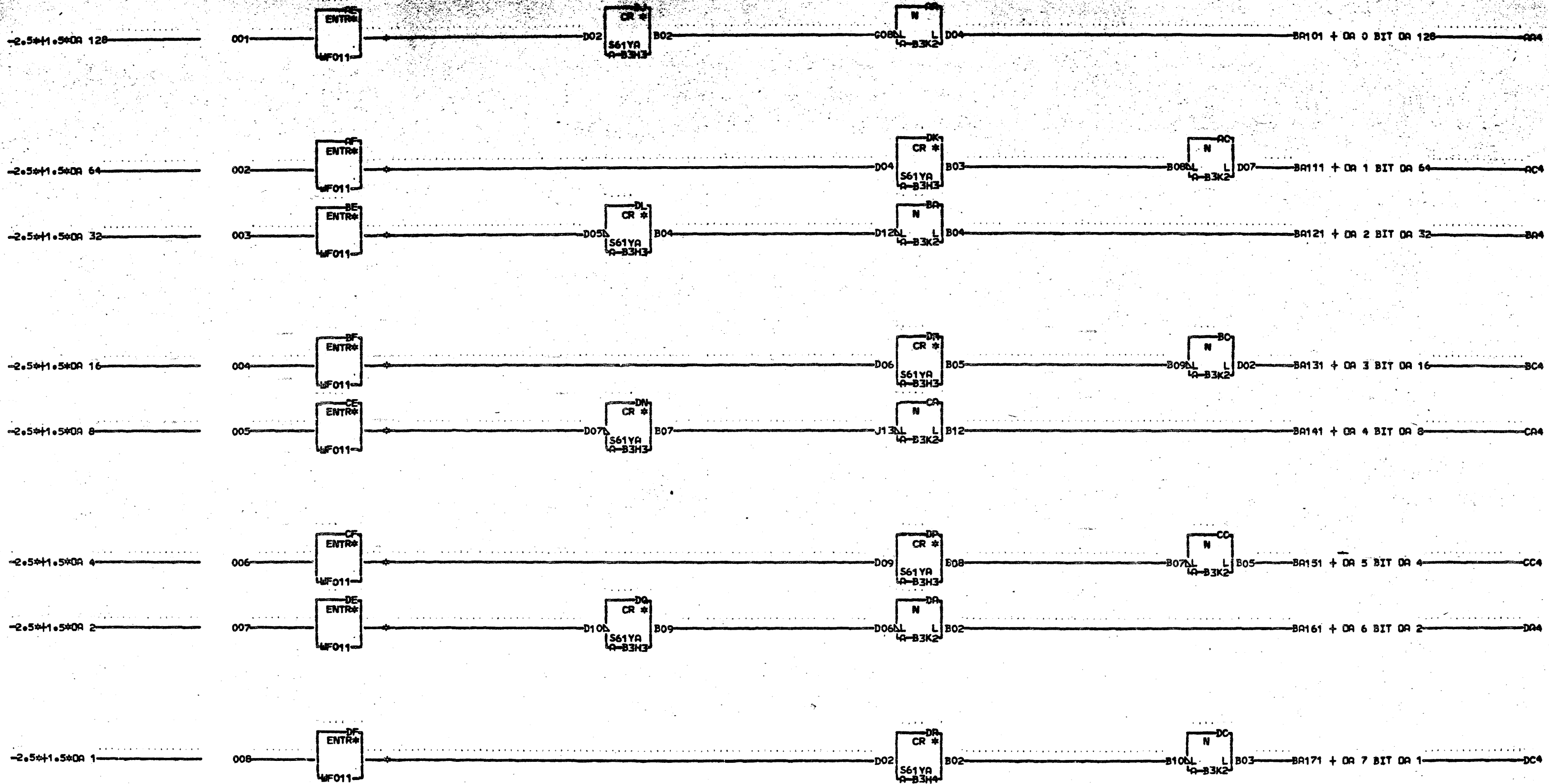
DD4 RESISTOR
A-B3M6D05

LOC. TYPE
 A-B3D2 0347
 A-B3H6 0347
 A-B3K7 0243
 A-B3L5 0359
 A-B3L7 0531
 A-B3M7 0247

MOD SELECTED CHECK	
PAGE 2	
EoC-HISTORY 416120	MACH.2314-FCU FRAME 01
DATE 01-23-68	LAST EC 420919
IBN CORP. SDD PoN. 2209509	

4402H
000

4402H
000



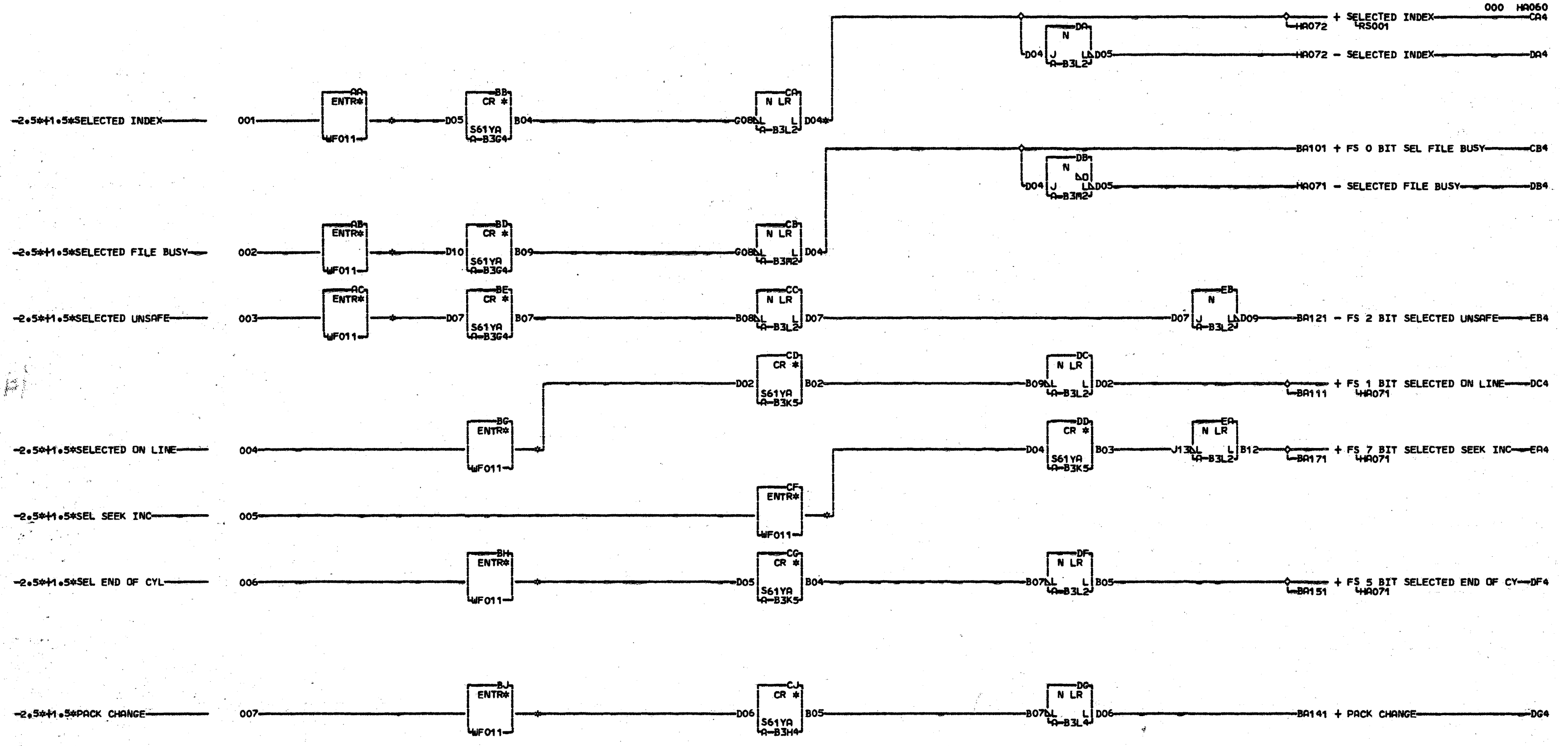
- AE4 A-B3N6B10 RESISTOR
- AF4 A-B3N6B09 RESISTOR
- BE4 A-B3N6B08 RESISTOR
- BF4 A-B3N6B07 RESISTOR
- CE4 A-B3N6B05 RESISTOR
- CF4 A-B3N6B04 RESISTOR
- DE4 A-B3N6B03 RESISTOR
- DF4 A-B3N6B02 RESISTOR

LOC. TYPE
 A-B3H3 7311
 A-B3H4 7311
 A-B3K2 4270
 A-B3K4 0720

2314 LINE RECEIVERS	
E.C. HISTORY	FRAME 01
416120	
416122	
DATE LAST EC	IBM CORP. GPD
06-02-66 416124	PeNo 2209396

HA051
 000

HA051
 000



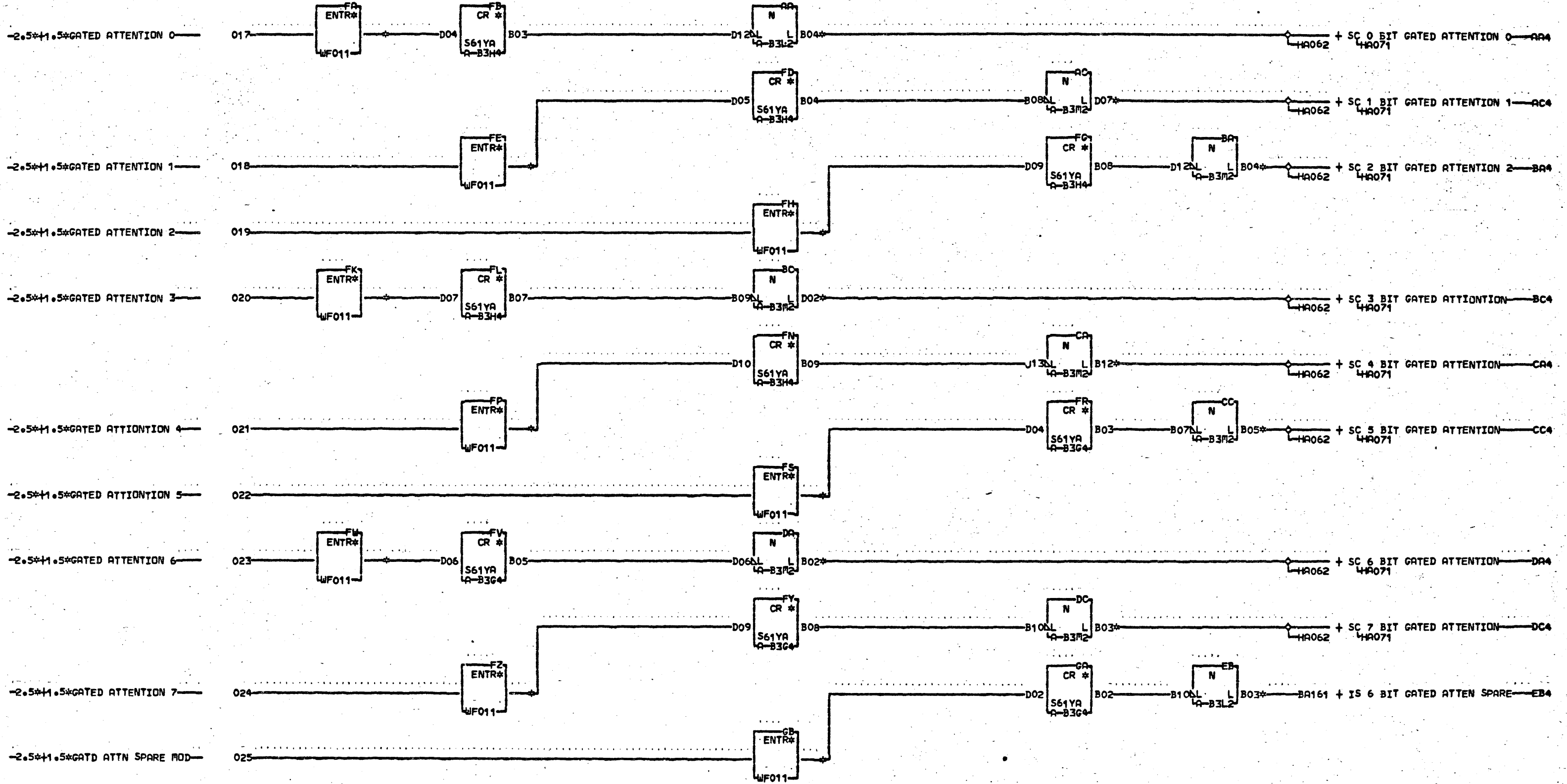
AA4	A-B3N6D07	BG4	A-B3N6D06	CA4	A-B3A4D11
	RESISTOR		RESISTOR	01A	B1A4D11
AB4	A-B3K4B07	BH4	A-B3K4B10	CF4	A-B3N6D09
	RESISTOR		RESISTOR		RESISTOR
AC4	A-B3K4B12	BJ4	A-B3N3B09		A-B3K4B08
	RESISTOR		RESISTOR		
	A-B3K4B09		A-B3J4D13		

LOC.	TYPE
A-B3G4	7311
A-B3H4	7311
A-B3J4	0720
A-B3K4	0720
A-B3K5	7311
A-B3L2	4270
A-B3L4	0725
A-B3M2	4270

2314 LINE RECIEVERS	
E-C-HISTORY	MACH 2314-FCU
416124	FRAME 01
DATE	LAST EC
01-22-68	420919
P.N.	2239096

H
0
6
0
0
000

H
A
0
6
0
000



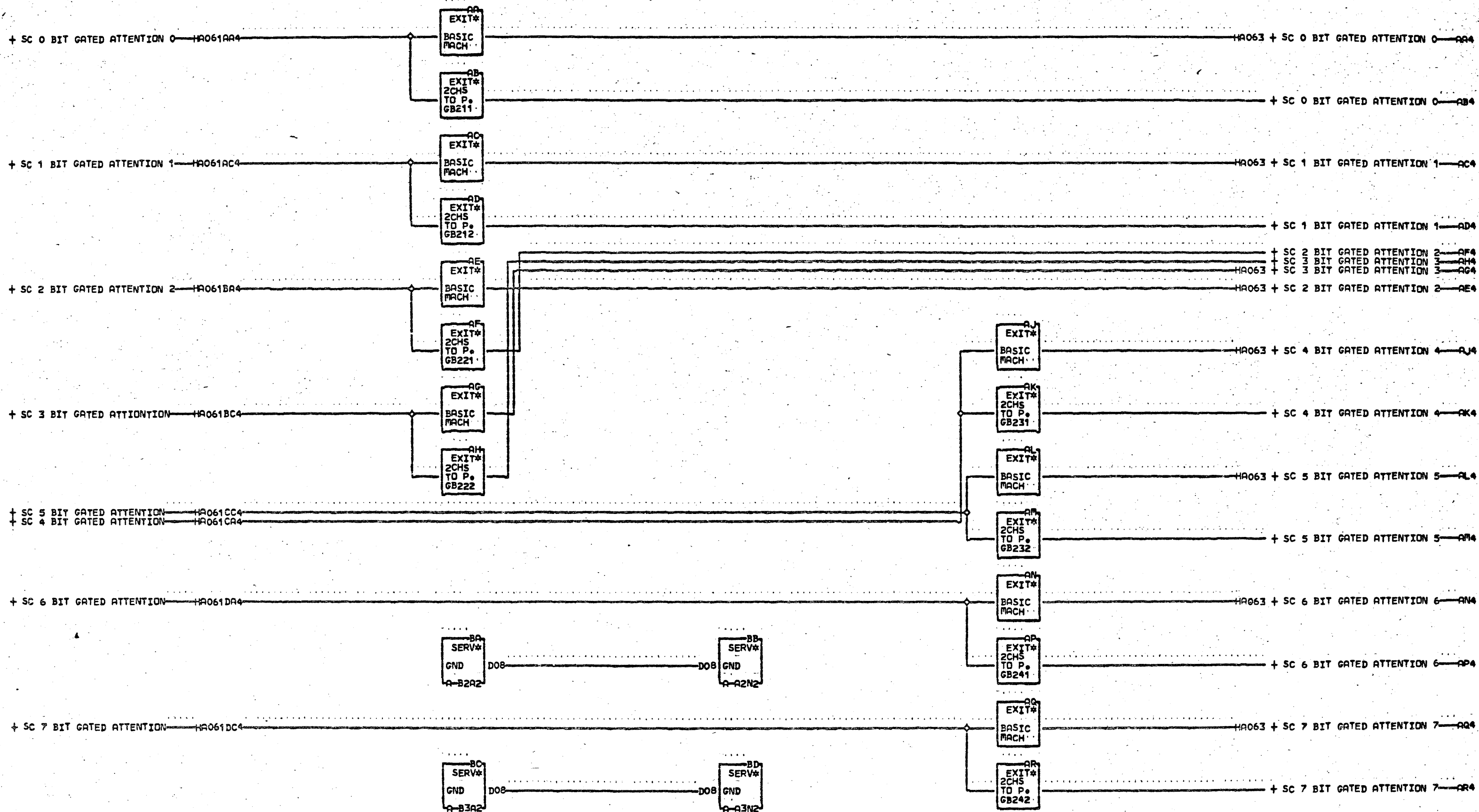
000
6
1

AA4	A-B3M5D02	01A-B1A4B12	A-B3J7B09	A-B3J7B03	A-B3K4B05
AC4	A-B3M5B03	FA4 A-B3N4D09	FK4 A-B3N4D12	FW4 A-B3N5D09	
BA4	A-B3M5B04	RESISTOR	RESISTOR	RESISTOR	
BC4	A-B3M5D04	A-B3J7B12	A-B3J7B08	A-B3J7B04	
CA4	A-B3M5B05	FE4 A-B3N4D10	FP4 A-B3N4D13	F24 A-B3N5D10	
CC4	A-B3M5D05	RESISTOR	RESISTOR	RESISTOR	
DA4	A-B3M5D06	A-B3J7B10	A-B3J7B07	A-B3J7B05	
DC4	A-B3M5B07	FH4 A-B3N4D11	FS4 A-B3N5D07	GB4 A-B3N5D11	
EB4	A-B3A4B12	RESISTOR	RESISTOR	RESISTOR	

LOC.	TYPE
A-B3G4	7311
A-B3H4	7311
A-B3J7	0720
A-B3K4	0720
A-B3L2	4270
A-B3M2	4270

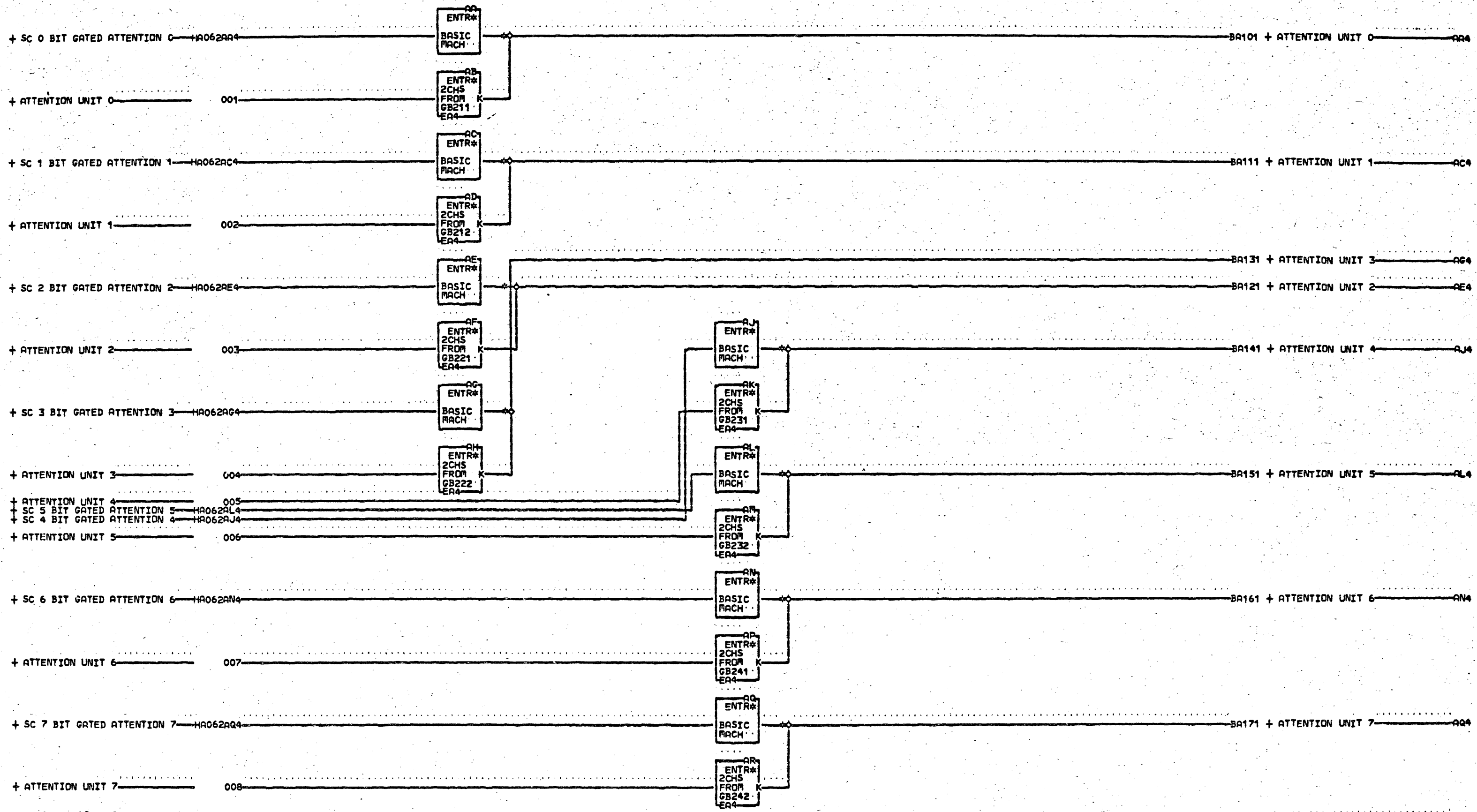
2314 LINE RECEIVERS	
E.C. HISTORY 416124	MACH. 2314-FCU
DATE 10-24-66	LAST EC 416131
FRAME 01	IBM CORP. SDD
PoN 2209387	

HA061
6
1
000



NOTE: IF 2 CHANNEL SW FEATURE IS INSTALLED GATED ATTN BITS H EXIT FROM B3 TO A2 PANEL VIA A CONN M5. IF 2CHSW NOT 0 INSTALLED BITS EXIT THRU CONN 6 M5 AND RETURN THRU M4 2 TO A REG ASSEMBLER. CABLE FROM B3M4 TO B3M5 000 TO BE REMOVED FOR INSTALLATION OF 2CHSW.

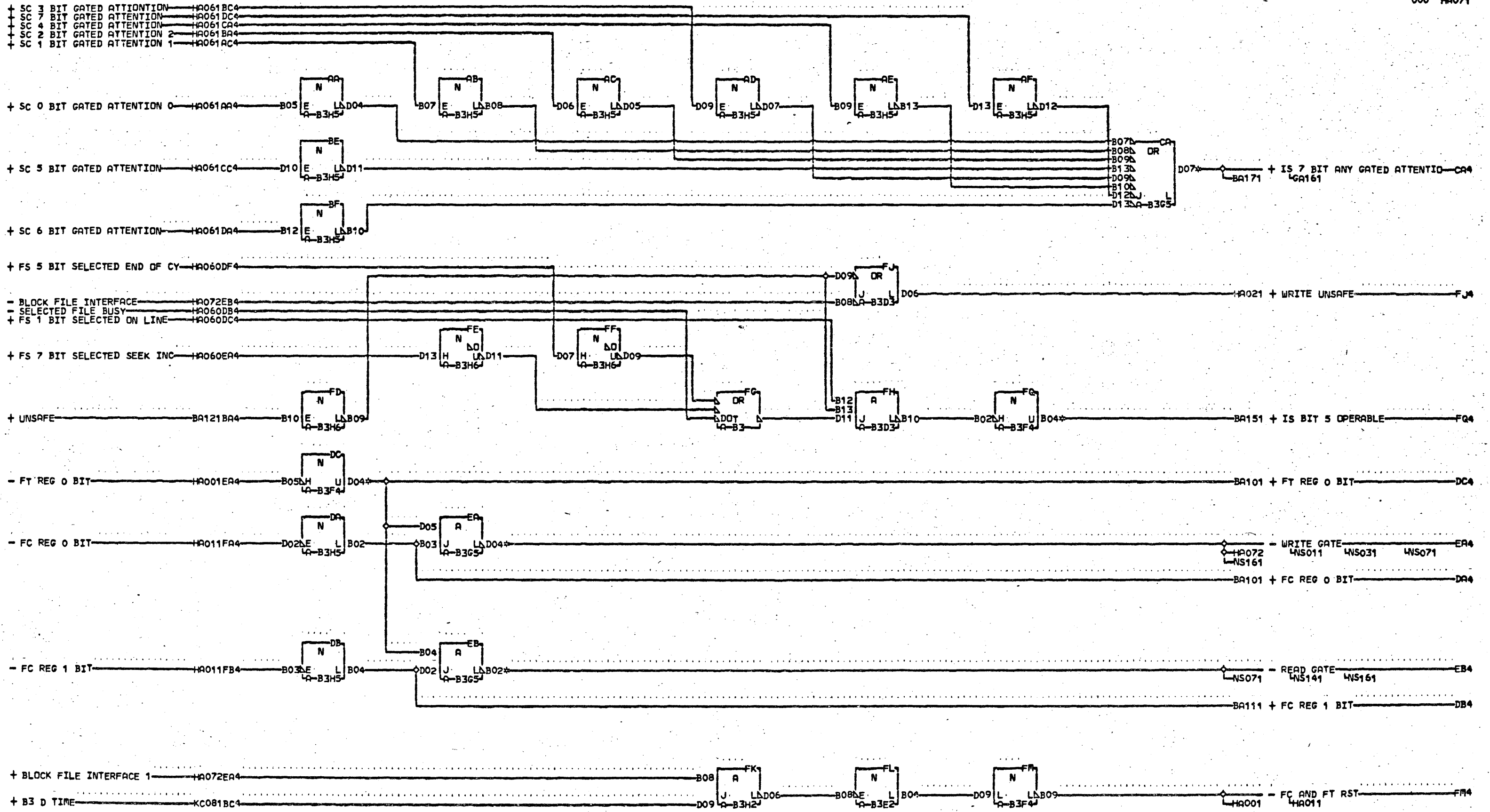
GATED ATTENTION FEED THRU EXIT		M A S H 2
BASIC MACHINE OR 2CHSW FEAT		
E.C.-HISTORY	MACH#2314-FCU	000
DATE	LAST EC	
04-21-66	416122	
FRAME	01	IBM CORP. SDD
P.No.	2209398	



NOTE: SOURCE OF ATTN IS THRU JUMPER CABLE B3M4 TO B3M5 ON BASIC MACH ON 2CHSW A FEAT FROM A2 PANEL THRU 0 A2N7 TO B3M5. BLOCKS WITH 6 FEATURE CODE 2CHSW SHOW 3 PAGE AND NET OF SOURCE.

AA4 A-B3M4D02	01A-B3M5B10
01A-B3M5D07	AL4 A-B3M4D05
AC4 A-B3M4B03	01A-B3M5D10
01A-B3M5B08	AN4 A-B3M4D06
AE4 A-B3M4B04	01A-B3M5D11
01A-B3M5B09	AQ4 A-B3M4B07
AG4 A-B3M4D04	01A-B3M5B12
01A-B3M5D09	
AJ4 A-B3M4B05	

ATTENTION BIT ENTRY TO A ASA
 BASIC OR 2-CHAN SW FEAT
 E.C.-HISTORY MACH.2314-FCU
 416122
 DATE LAST EC 05-09-66 416123
 FRAME 01
 IBM CORP. SDD
 P.No 2209399



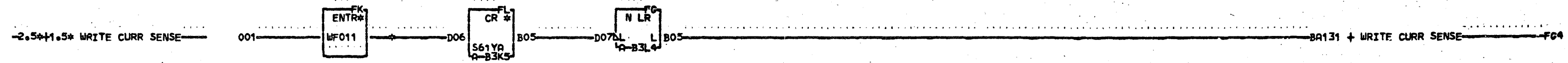
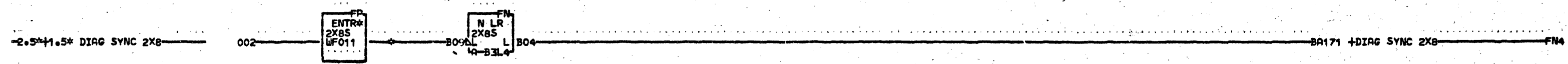
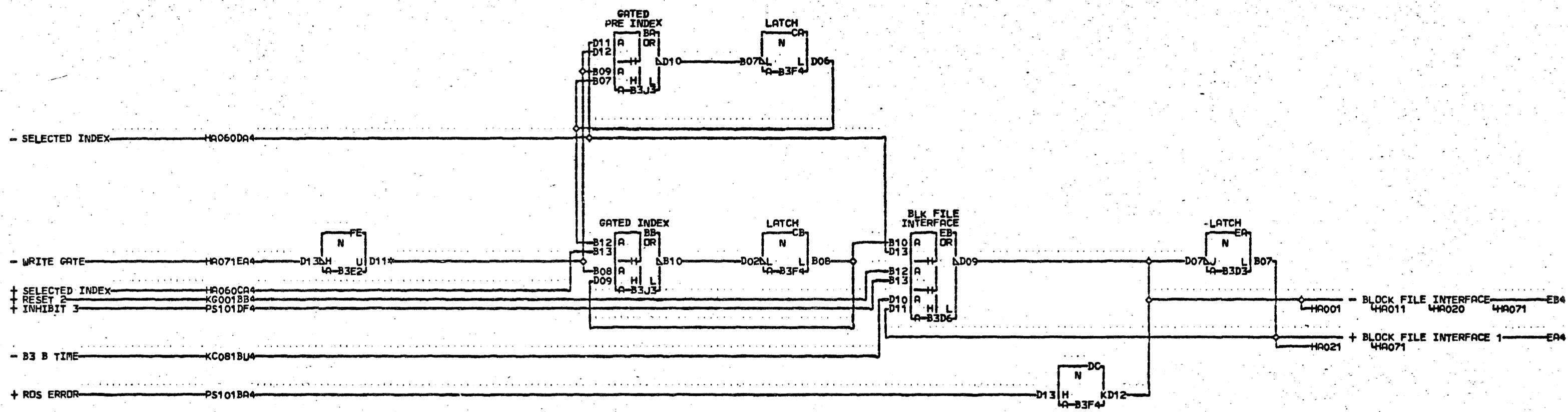
HA071
000

- CA4 A-B3A4D10
- 01A-B1A4D10
- 01A-B1A6D11
- 01A-C3A4D11
- DC4 RESISTOR
- A-B3F4D05
- EA4 A-B3A6B04
- 01A-C2A6B04
- EB4 A-B3A6D04
- 01A-C2A6D04
- Fq4 A-B1A4D12
- 01A-B3A4D12
- RESISTOR
- A-B3F4B03

LOC.	TYPE
A-B3D3	0199
A-B3E2	0347
A-B3F4	0346
A-B3G5	0005
A-B3H2	0000
A-B3H5	0359
A-B3H6	0347
A-B3	

ANY SEEK COMPLETE AND READ/WRITE GATE		MACH-2314-FCU
E.C. HISTORY		
416120		FRAME 01
416123		
416124		
416126		IBR CORP. GPD
DATE	LAST EC	
08-03-67	420912	P#N# 2209388

HA071
000

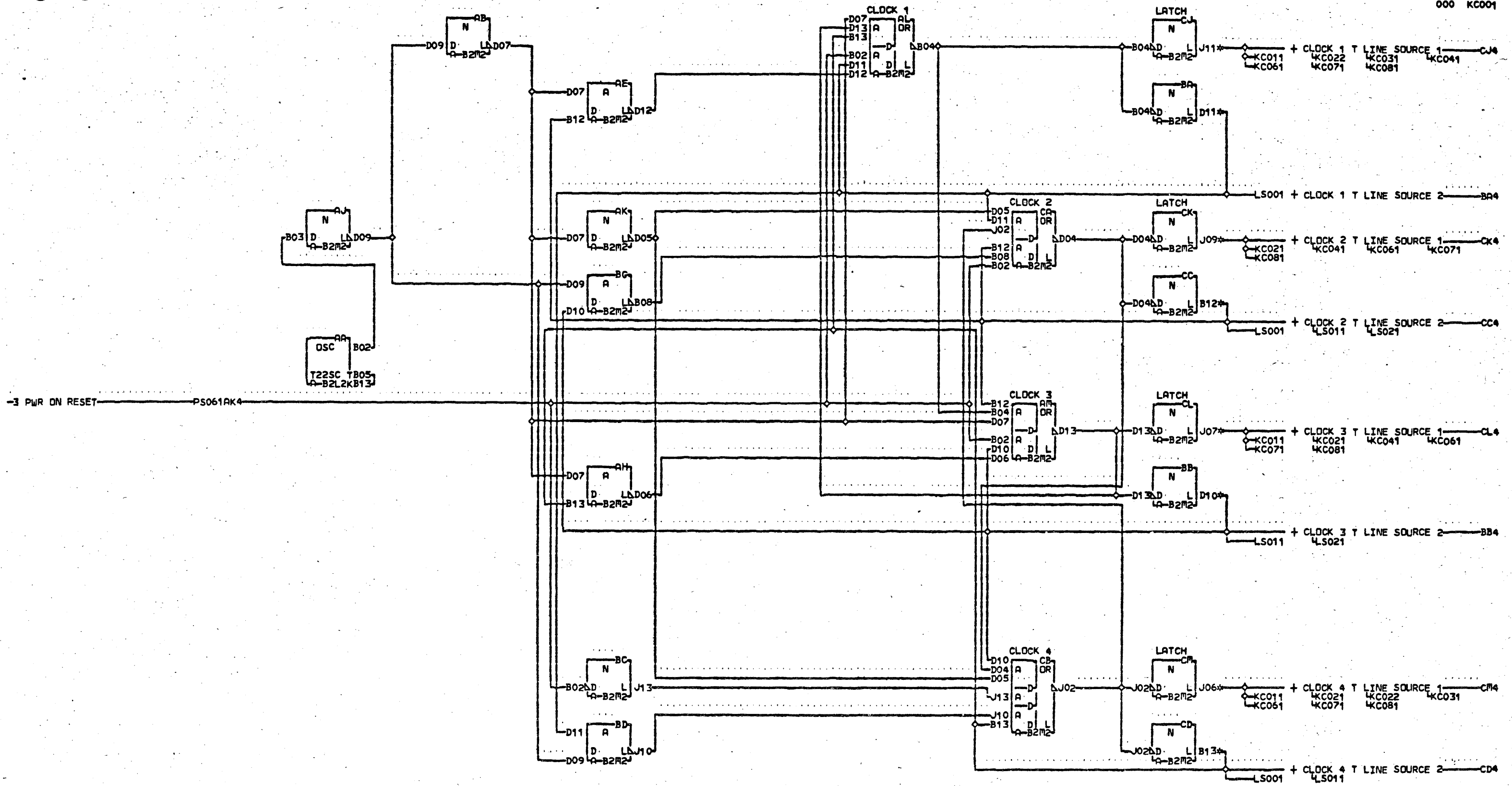


- FE4 RESISTOR
A-B3E2D12
- FK4 RESISTOR
A-B3N3B12
- FP4 RESISTOR
A-B3N5B10
- A-B3J4D12
- A-B3J4D10

LOC.	TYPE
A-B3D3	0199
A-B3D6	0212
A-B3E2	0347
A-B3F4	0346
A-B3J3	0006
A-B3J4	0720
A-B3K5	7311
A-B3L4	0725

WRITE SAFETY	
EoC-HISTORY	MACH#2314-FCU
416120	420901
416122	FRAME 01
416124	
416126	IBM CORP. SDD
DATE	LAST EC
05-09-67	420905
	Part# 2209389

HA072
000



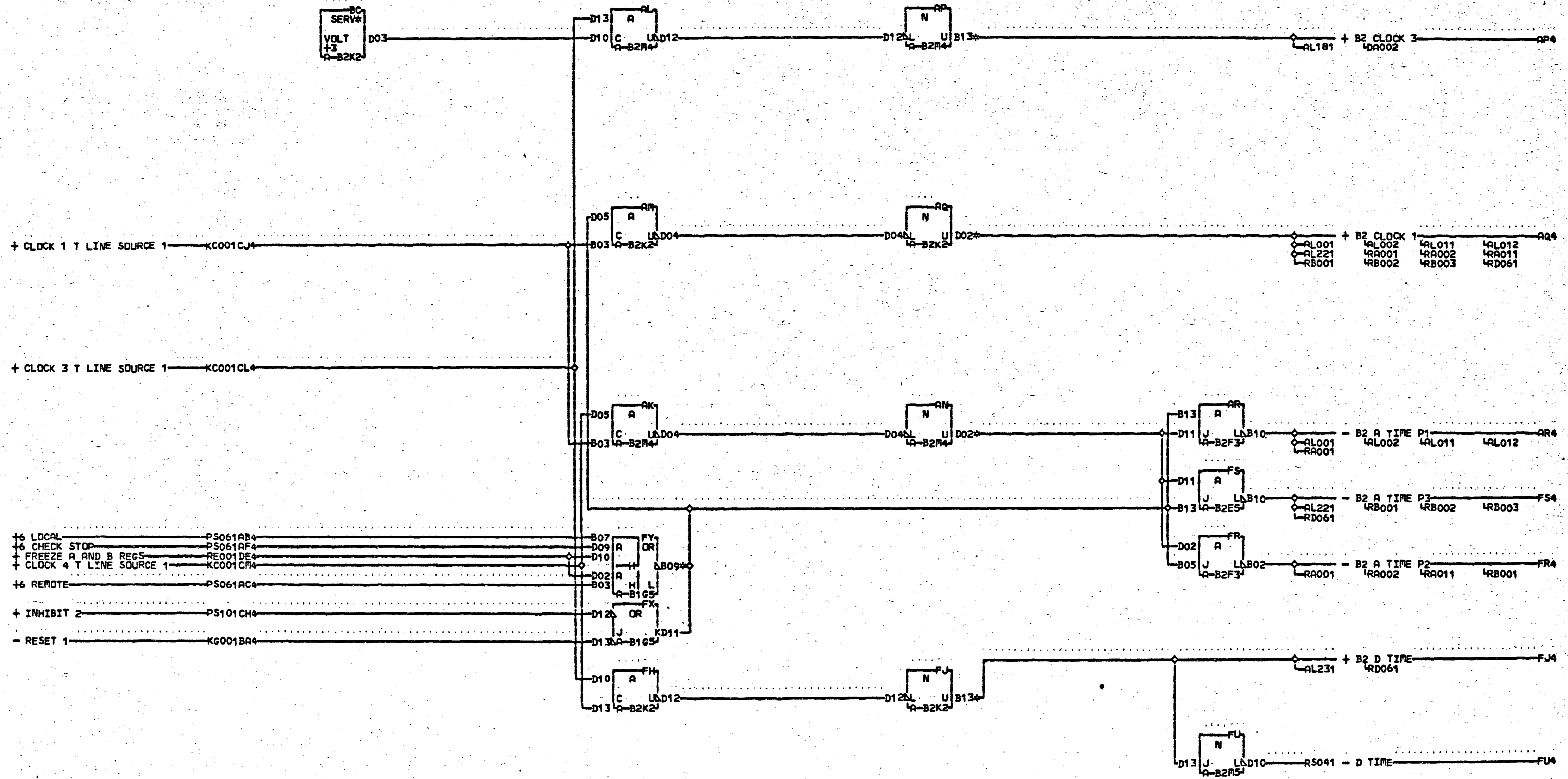
000K
000

BA4 A-B2A3D09	01A-B1L8B06	CK4 A-B2L1B09	01A-B3N2D04	01A-C3A2B05	01A-C3B1C09
01B-A2A4D09	01A-B1N7B04	01A-B1L8B04	CL4 A-B2L1C11	01A-B3N2B05	01A-C3A2D05
BB4 A-B2A3D10	01A-C1A7B04	01A-B1N7D04	01A-B1L8C06	CM4 A-B2L1C09	01A-B3N2D05
01B-A2A4D10	01A-C1B8B06	01A-C1A7D04	01A-B1N7B05	01A-B1L8C04	
CC4 A-B2A3B10	01A-C2B1B11	01A-C1B8B04	01A-C1A7B05	01A-B1N7D05	
01B-A2A4B10	01A-C2B8B06	01A-C2B1B09	01A-C1B8C06	01A-C1A7D05	
CD4 A-B2A3D11	01A-C3B1B11	01A-C2B8B04	01A-C2B1C11	01A-C1B8C04	
01B-A2A4D11	01A-C3A2B04	01A-C3B1B09	01A-C2B8C06	01A-C2B1C09	
CJ4 A-B2L1B11	01A-B3N2B04	01A-C3A2D04	01A-C3B1C11	01A-C2B8C04	

LOC. TYPE
 A-B2L2 3493
 A-B2M2 4150

5 NANO SECOND CLOCK	
E.C. HISTORY 416120	MACH.2314-FCU
DATE LAST EC 01-10-67 420637	FRAME 01 IBM CORP. GPD P.No. 2209416

KC001
000

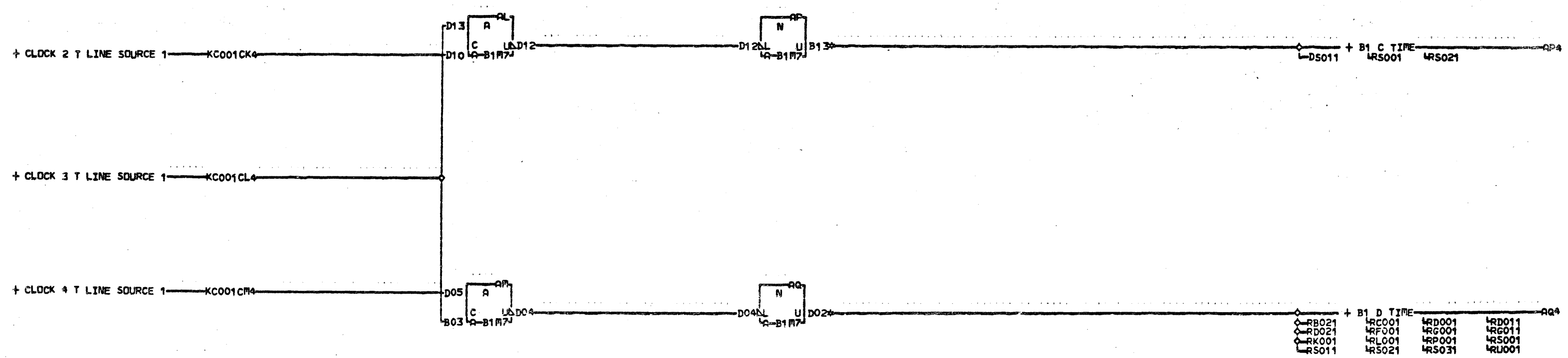


1-1-66
000

- AN4 RESISTORS A-B2K2B02
- A-B2M4B02 A-B2K2B02
- A-B2M4B02 A-B2K2D07
- A-B2M4D07 FJ4 RESISTORS
- AP4 RESISTORS A-B2K2D09
- A-B2M4D09 A-B2K2D09
- A-B2M4D09 A-B2K2B07
- A-B2M4B07 FY4 A-B1A2B02
- AQ4 RESISTORS 01A-B2A2B02

LOC.	TYPE
A-B1G5	0007
A-B2E5	0199
A-B2F3	0199
A-B2K2	3038
A-B2M4	3038
A-B2M5	3575

CLOCK PULSE ASSEMBLER		K C O 1 1
BOARD B2		
E.C. HISTORY		MACH#2314-FCU
416120	416121	
FRAME		01
DATE LAST EC		IBM CORP. G2D
10-24-66	416131	P#N# 2209417



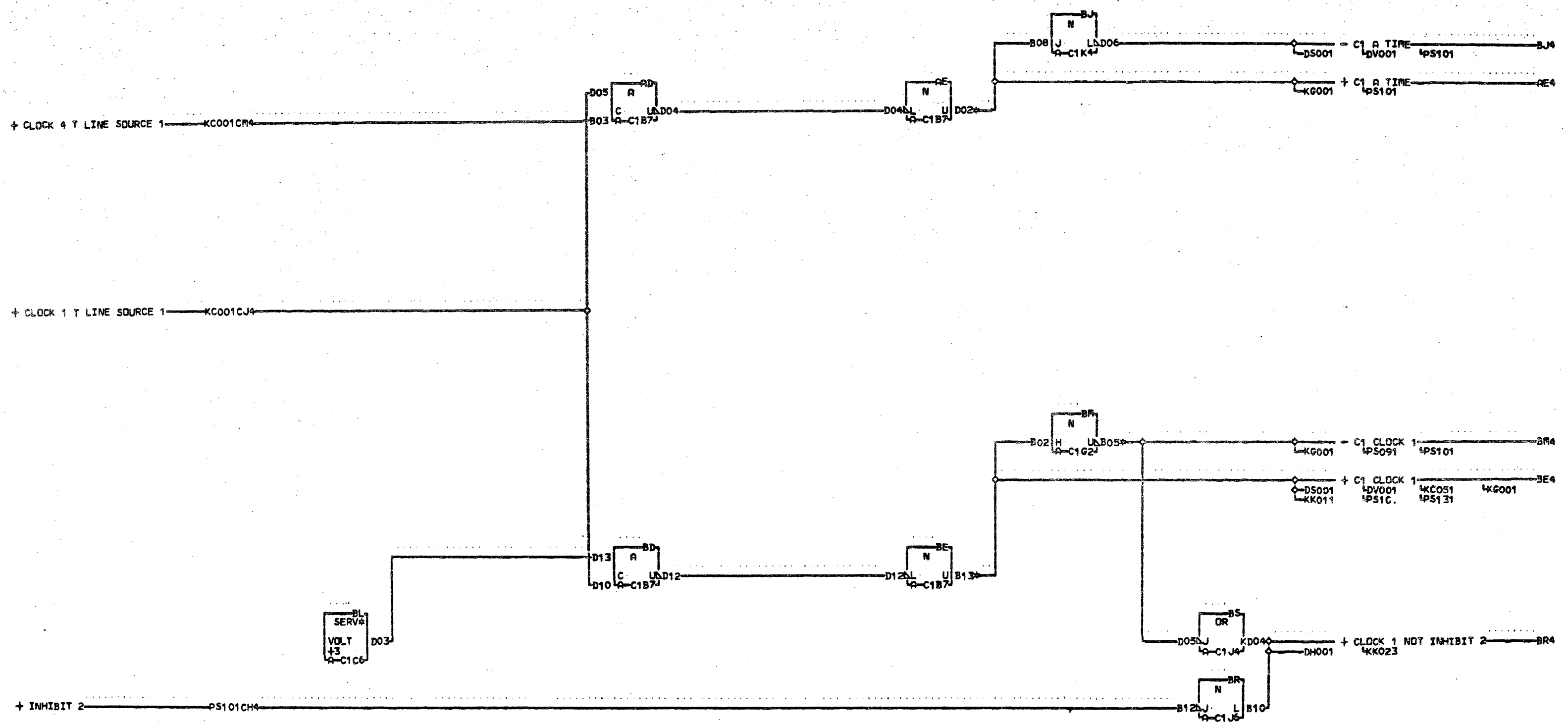
KC001
1
000

AP4 RESISTORS
 A-81M7D09
 A-81M7D07
 A-81M7B02
 AQ4 RESISTORS
 A-81M7B02
 A-81M7D07
 A-81M7B02

LOC. TYPE
 A-81M7 3038

CLOCK PULSE ASSEMBLER			
BOARD B1			
E.C. HISTORY	416120	416129	MACH-2314-FCU
	416121	416130	FRAME 01
	416125		
	416126		IBM CORP. GPD
DATE	10-24-66	LAST EC	416131
		P.N.	2209418

KC002
1
000



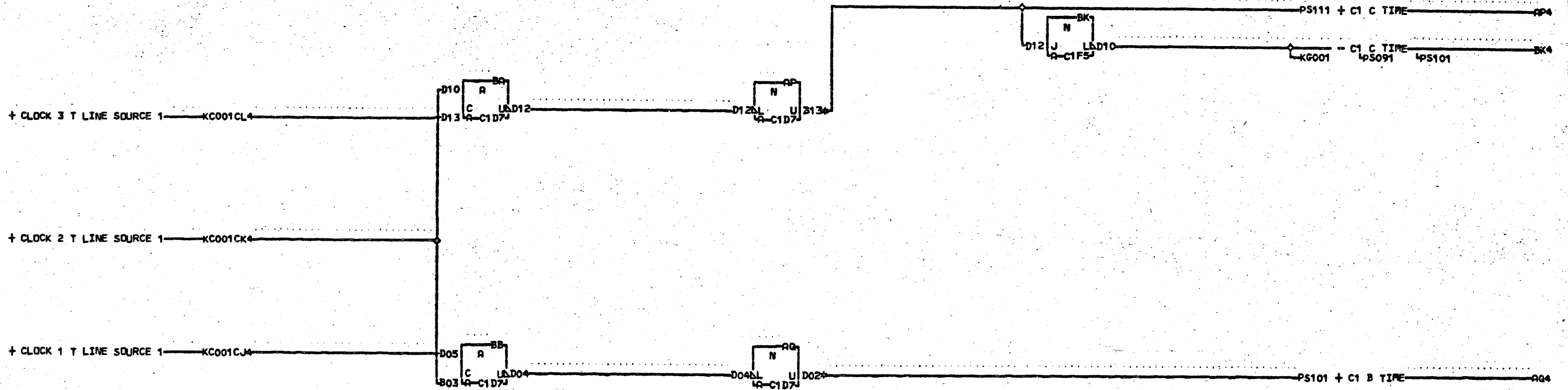
- AE4 RESISTORS
- R-C1B7B02
- R-C1B7B02
- R-C1B7D07
- BE4 RESISTOR
- R-C1B7B07
- BM4 RESISTOR
- R-C1G2D02

LOC.	TYPE
R-C1B7	3038
R-C1G2	0347
R-C1J4	0238
R-C1J6	3575
R-C1K4	0199

CLOCK PULSE ASSEMBLER BOARD C1		
E-C-HISTORY	MACH#2314-FCU	K
416120		C
416121	FRAME	01
416122		1
416126	IBM CORP. GPD	
DATE	LAST EC	
01-10-67	420637	
	P.No 2209419	

NOV 1 1967

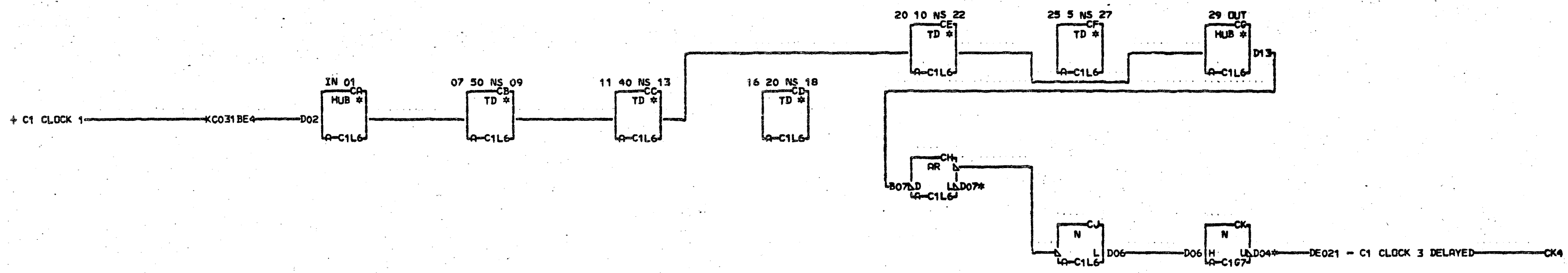
000



AP4 RESISTORS
 A-C1D7D09
 A-C1D7B07
 A-C1D7D09
 A-C1D7D09
 AQ4 RESISTORS
 A-C1D7B02
 A-C1D7D07
 A-C1D7D07
 A-C1D7B02

LOC. TYPE
 A-C1D7 3038
 A-C1F5 0000

CLOCK PULSE ASSEMBLER BOARD C1	
E.C. HISTORY	MACH. 2314-FCU
416120	FRAME 01
416121	IBM CORP. GPD
DATE LAST EC	P.No 2209420
08-30-66 416125	

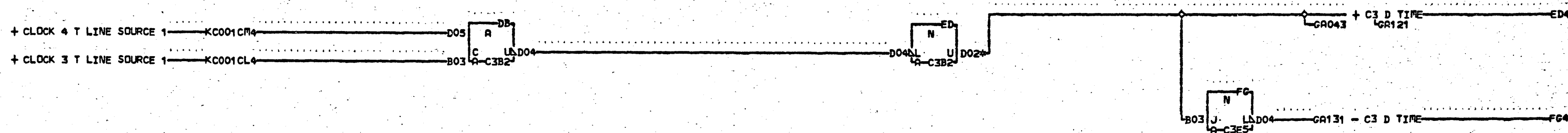
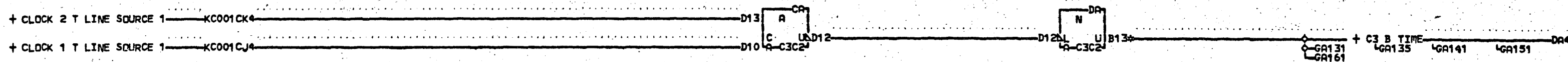


NOTE: JUMPER FOR DESIRED TIMING.
 K CONNECT PIN NUMBER
 0 IN BLOCK TITLE
 5 TO OBTAIN TIMING.
 1 EXAMPLE SHOWS 100NS

CH4 RESISTOR
 A-C1L6D04
 CK4 A-C1NSD11
 RESISTOR
 A-C1G7D05

LOC. TYPE
 A-C1G7 0347
 A-C1L6 4015

CLOCK PULSE ASSEMBLER BOARD C1	
E.C. HISTORY	FRAME 01
DATE 03-30-66	LAST EC 416120
	IBN CORP. 6PD
	PeN. 2209421



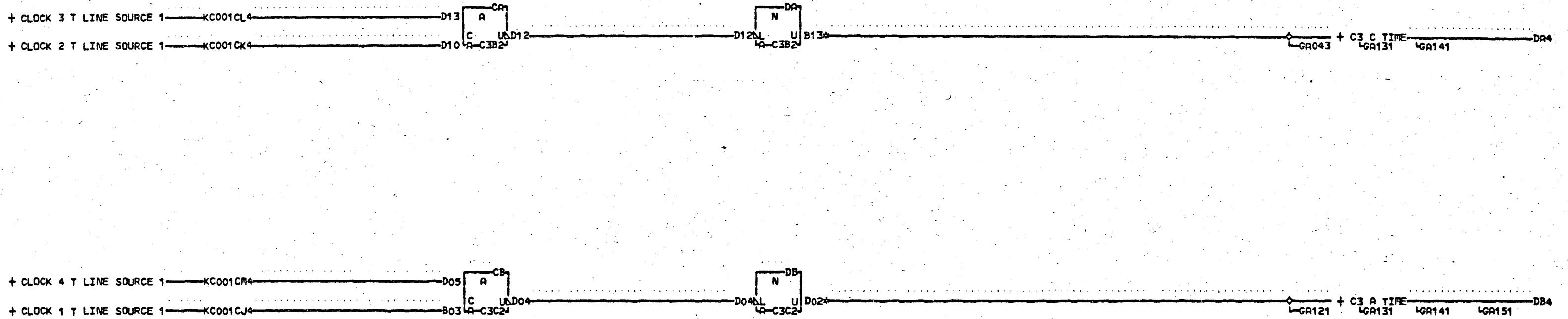
DA4 RESISTORS
 A-C3C2D09
 A-C3C2D09
 A-C3C2D07
 A-C3C2D07
 ED4 RESISTORS
 A-C3B2B02
 A-C3B2B02
 A-C3B2D07

LOC. TYPE
 A-C3B2 3038
 A-C3C2 3038
 A-C3E5 0000

C3 CLOCK ASSEMBLER	
B TIME AND CLOCK 2	
E.C. HISTORY 416120	MACH.2314-FCU
DATE 08-03-67	LAST EC 420912
FRAME IBM CORP. GPD	01
PoN. 2209422	

KC061
000

KC061
000



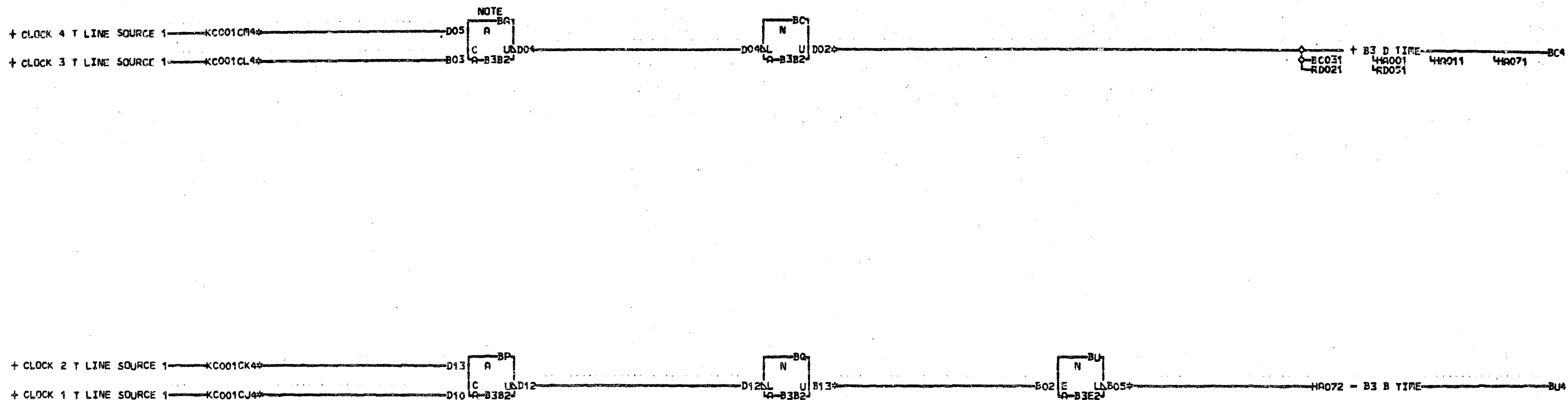
DA4 RESISTORS
 R-C3B2D09
 R-C3B2D09
 DB4 RESISTORS
 R-C3C2B02
 R-C3C2B02

LOC. TYPE
 R-C3B2 3038
 R-C3C2 3038

C3 CLOCK ASSEMBLER A TIME AND C TIME	
E.C. HISTORY	MACH. 2314-FCU
DATE	LAST EC
03-30-66	416120
FRAME	01
IBR CORP. GPD	
P.O. No.	2209423

1 700K
000

1 700K
000

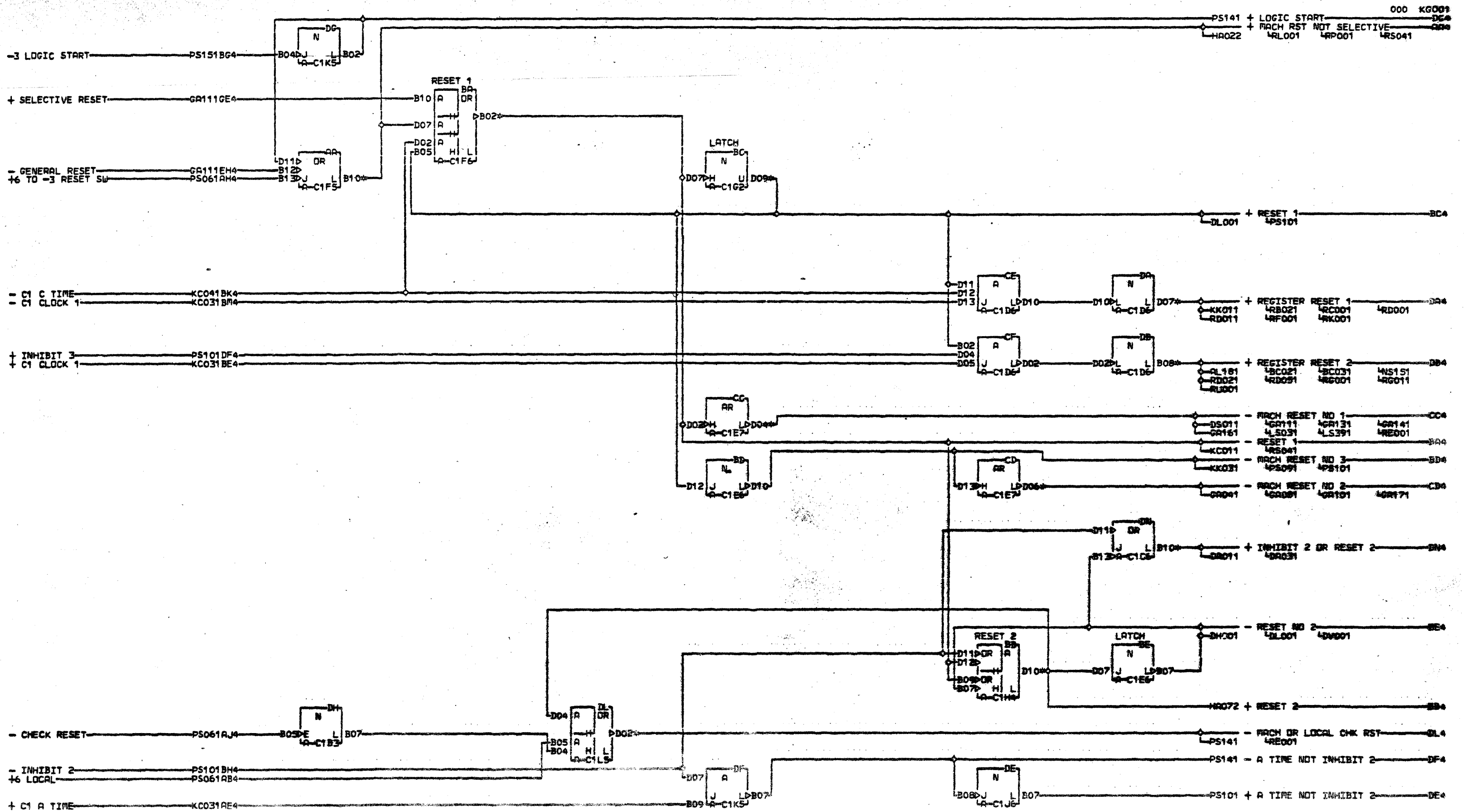


NOTE. TERMINATING RESISTORS TO BE REMOVED WHEN A3 C PANEL INSTALLED.

KC001CJ4	KC001CM4	A-B3B2D09
RESISTOR	RESISTOR	A-B3B2B07
A-B3B2B05	A-B3B2B10	RESISTOR
KC001CK4	BC4 RESISTORS	A-B3E2D02
RESISTOR	A-B3B2B02	
A-B3B2D06	A-B3B2B02	
KC001CL4	A-B3B2D07	
RESISTOR	BQ4 RESISTORS	
A-B3B2B09	A-B3B2D09	

LDC. TYPE
A-B3B2 3038
A-B3E2 0347

CLOCK PULSE ASSEMBLER BOARD B3	
E.C. HISTORY	MACH. 2314-FCU
416120	FRAME 01
416121	IBM CORP. PDD
DATE LAST EC	P.No. 2209424
09-06-66 416126	



000 KGO01
 DE4
 GR001
 RS041

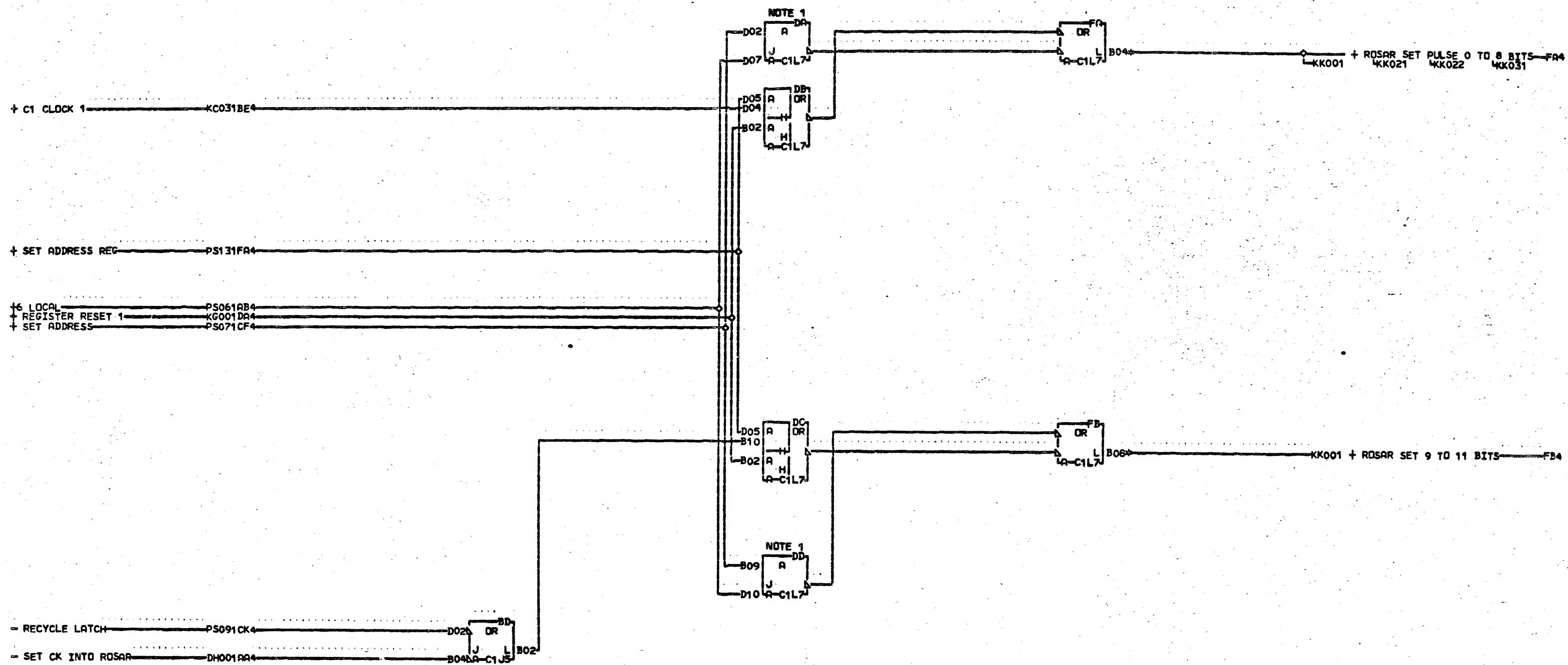
SIGNALS FROM CE PANEL SWITCHES
 ARE DIRECTLY CONNECTED TO
 POWER SUPPLY VOLTAGES.
 USE CAUTION IN THESE AREAS.

AA4 A-C1A3B10	01A-B1N3D15	01A-B1A7B03	01A-B1A5D09	DL4 A-C1A7D11
01A-B1N3D07	01A-B1N6D07	01A-B1A7B06	01A-B1A5D06	01A-B1A7D11
01A-B1A2B07	01A-B1A7D07	01A-B1A7B11	DL4 A-C1A7B06	01A-B1A7D11
01A-B1A2B07	01A-B1A7D07	01A-B1A7B04	01A-B1A7B06	01A-B1A7D11
01A-B1A2B04	01A-B1A7D10	01A-B1A7B10	01A-B1A7B06	01A-B1A7D11
01A-B1A7D08	01A-B1A7D10	01A-B1A7B10	01A-B1A7B06	01A-B1A7D11
01A-B1A7B08	01A-B1A7D11	01A-B1A7B09	01A-B1A7B11	01A-B1A7D11
01A-B1A7B09	01A-B1A7D11	01A-B1A7B09	01A-B1A7B06	01A-B1A7D11
01A-B1A7D13	01A-B1A7D11	01A-B1A7B09	01A-B1A7B11	01A-B1A7D11

LOC.	TYPE	LOC.	TYPE
A-C1B3	4281	A-C1J6	3575
A-C1C8	0199	A-C1K5	0000
A-C1D5	0018	A-C1L9	0006
A-C1E8	0190		
A-C1E7	0270		
A-C1F5	0000		
A-C1F6	0000		
A-C1G2	0347		
A-C1H4	0006		

MACH REG RESETS	
REG HISTORY	MACH-2314-FCU
015125	420905
016126	420908
016129	420912
016131	420942
DATE	LAST EC
04-24-69	424045
P.N.	2209426

K
 C
 G
 1
 000



NOTE 1. INTERNAL WIRING
ON PINS B02, B03, D05, D06

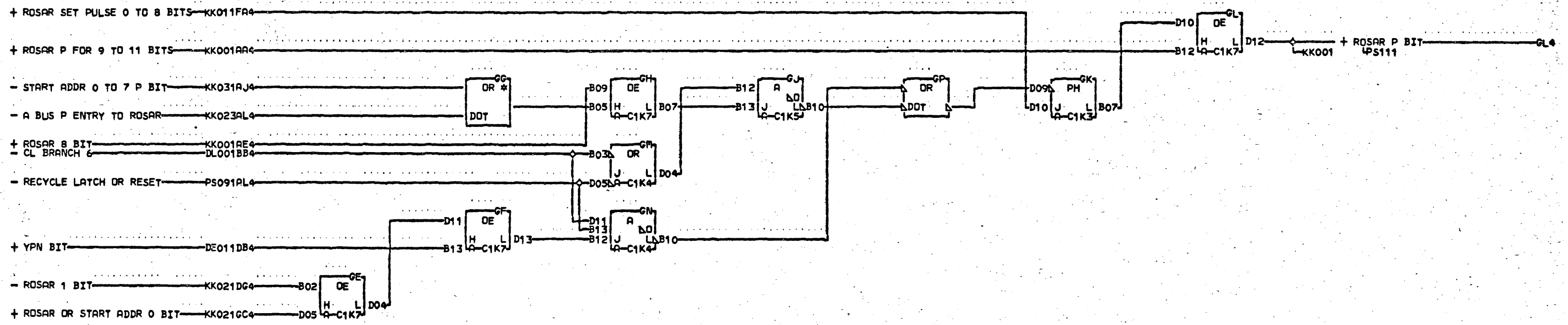
FA4 RESISTOR
A-C1L7B04
FB4 RESISTOR
A-C1L7B08

LOC. TYPE
A-C1J5 0000
A-C1L7 3572

ROSAR SET PULSE DRIVERS	
E.C. HISTORY	MACH. 2314-FCU
416120	FRAME 01
416131	IBN CORP. SDD
DATE LAST EC	P.No 220928
12-22-66 420637	

KK011
000

KK011
000

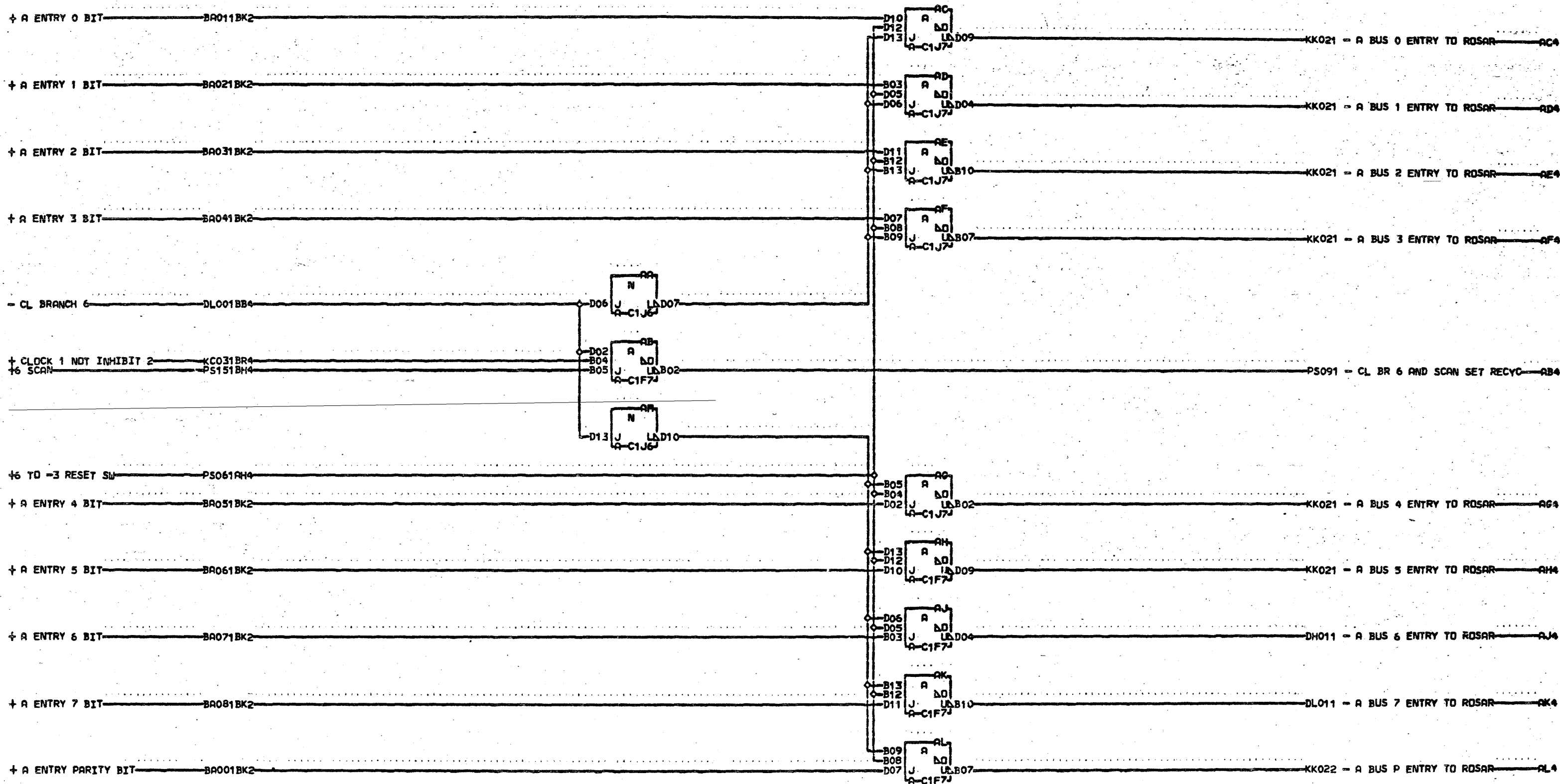


000
NNOKK

LOC. TYPE
 R-C1K3 4007
 R-C1K4 0199
 R-C1K5 0000
 R-C1K7 0243

ROSAR P BIT	
E-C-HISTORY	MACH.2314-FCU
DATE	FRAME 01
LAST EC	IBM CORP. GPD
03-30-66 416120	P.N. 2209430

000
NNOKK

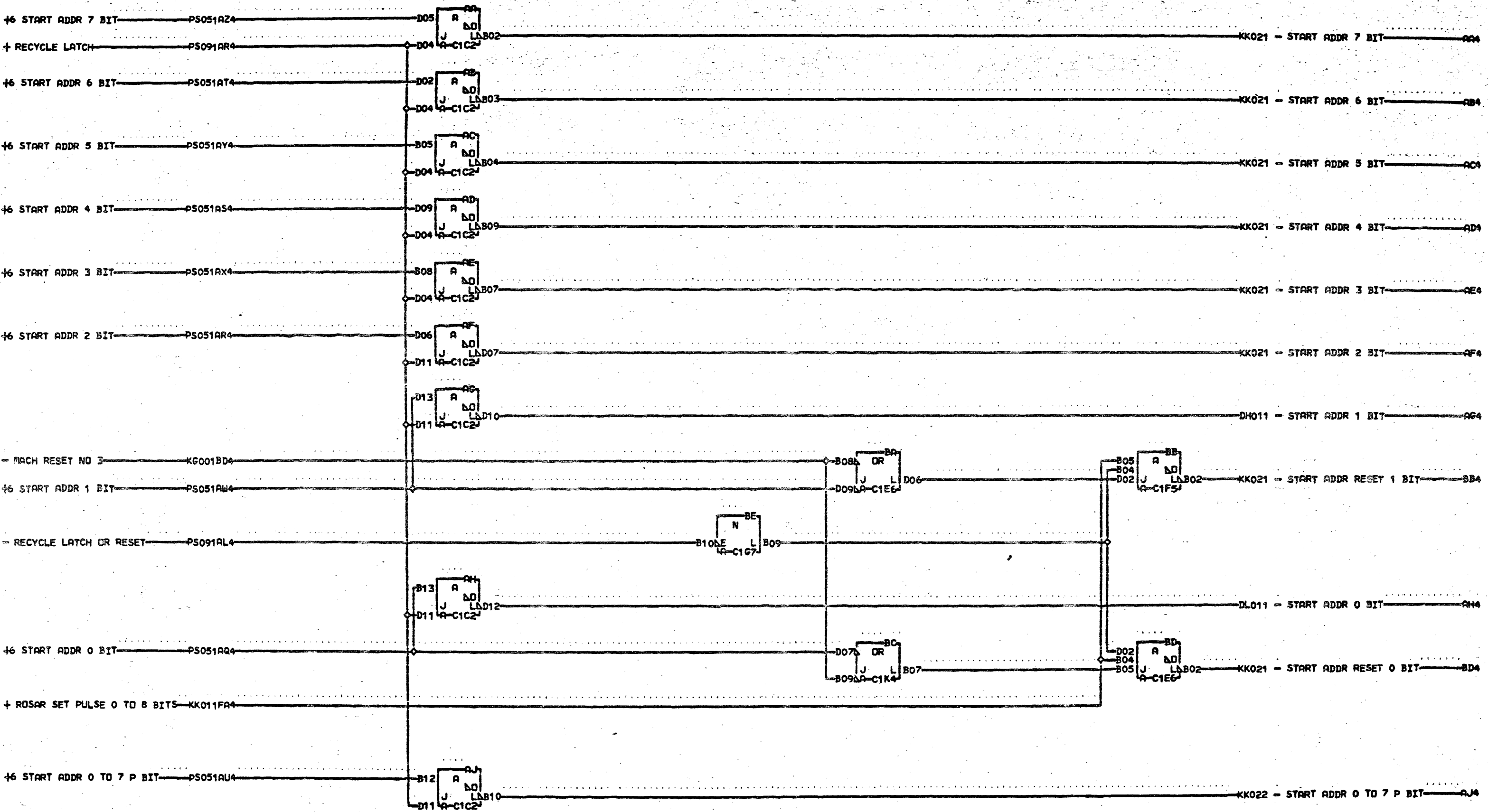


WNOXK
000

LOC. TYPE
 A-C1F7 0238
 A-C1J6 3573
 A-C1J7 0238

A BUS 256 WAY BRANCH AND MODULE SCANNING	
E.C. HISTORY 416120	MACH. 2314-FCU
DATE 04-14-66	LAST EC 416121
FRAME IBR CORP. SDD	01
P.O. No. 2209431	

KK023
000



NOTE: CE PANEL SIGNALS ARE DIRECTLY TERMINATED TO POWER SUPPLY VOLTAGES. USE CAUTION IN THESE AREAS.

LOC.	TYPE
A-C1C2	3575
A-C1F5	0199
A-C1G7	0347
A-C1K4	0199

RDSAR RECYCLE GATES	
E-C-HISTORY	MACH-2314-FCU
FRAME	01
IBR CORP. GPD	
DATE 03-30-66	LAST EC 416120
PoNo 2209432	