

A2 CONNECTOR
 B02 WPO10AG4
 B04 WPO10AJ2
 B05 WPO10AJ4
 B06 WPO10AJ6
 B08 WPO10AK2
 B09 WPO10AL6
 B10 WPO10AM2
 B12 WPO10AM4
 B13 WPO10AM6
 D02 WPO10AD4
 D03 WPO10AD6
 D05 WPO10AE2
 D06 WPO10AE4
 D07 WPO10AE6
 D09 WPO10AF2
 D10 WPO10AF4
 D11 WPO10AF6
 D13 WPO10AG2

A3 CONNECTOR
 B02 WPO10AD2
 B04 WPO10AH6
 B05 WPO10AL2
 B06 WPO10AG5
 B08 WPO10AH2
 B09 WPO10AH4
 B10 WPO10AK4
 B12 WPO10AK6
 B13 WPO10AN2
 D02 WPO10AA2
 D03 WPO10AA4
 D05 WPO10AA6
 D06 WPO10AB2
 D07 WPO10AB4
 D09 WPO10AB6
 D10 WPO10AC2
 D11 WPO10AC4
 D13 WPO10AC6

A4 CONNECTOR
 B02 FP315AG6
 B04 FP315AP6
 B05 FP315AL6
 B06 FP315AS2
 B08 FP311CR4
 B09 FP313AR6
 B10 FP313AL6
 B12 FP313AK6
 B13 FP311CR6
 D02 FP353AY2
 D03 FP351AV2
 D05 FP351AX2
 D06 FP351AY2
 D07 FP351BA2
 D09 FP352AU2
 D10 FP352AW2
 D11 FP352AX2
 D13 FP352AZ2

A5 CONNECTOR
 B02 FP306ALZ
 B04 FP303AR6
 B05 FP303AX2
 B06 FP341AZ6
 B08 FP311CR2
 B13 WPO10AL4
 D02 FP311CP6
 D03 FP311CQ2
 D05 FP214BG6
 D06 FP311CQ4
 D07 FP311CQ6
 D09 FP305BK6
 D10 FP305BK6
 D11 FP311CP2
 D13 FP311CP4

A6 CONNECTOR
 D02 WPO10AD4
 D04 WPO10AD6
 D06 WPO10AD6
 B2 QUAD CARD
 B3 5850757 0757
 B4
 B5

FP811 00 01 02 03 04 05
 FP813 06 07 08 09
 FP815 0A 0B 0C 0D
 FP813 0E 0F
 FP814 0G 0H 0J 0K 0L 0M
 FP814 0N 0P 0Q 0R
 FP813 0S 0T 0U
 FP812 0V
 FP815 0W 0X 0Y
 FP812 0Z
 FP813 10
 FP814 11 12 13
 FP812 14 15 16 17 18 19

FP813 1A 1B
 FP814 1C
 FP814 1D 1E 1F
 FP813 1G 1H 1J
 FP814 1K
 FP815 1L 1R 1N 1P
 FP812 1Q
 FP815 1R 1S 1T
 FP812 1U
 FP813 1V
 FP815 1W
 FP812 1X
 FP815 1Y 1Z 20
 FP813 21 22 23 24
 FP814 25
 FP815 26
 FP814 27
 FP815 28
 FP814 29
 FP812 2A 2B 2C
 FP811 2D 2E 2F 2G 2H
 FP812 2J 2K 2L 2M 2N 2P
 FP813 2Q 2R 2S
 FP814 2Y 2Z 30 31 32
 FP815 33 34

B6 CONNECTOR
 A04 WPO10AJ2
 B02 WPO10AE2
 B04 WPO10AJ4
 C02 WPO10AE4
 C04 WPO10AJ6
 D02 WPO10AE6
 E04 WPO10AK2

C3 SINGLE CARD
 8210782 2655
 FP222 01 02 03 04 05 06
 07 08 09 0A 0C 0D
 FP221 0E
 FP222 0F 0G
 FP221 0H 0L 0M 0N 0P 0Q
 FP222 0R 0S 0T
 FP221 0U
 FP222 0V 0W 0X 0Z

C4 DOUBLE CARD
 5858716 2653

FP362 00 01 02 03 04 05
 06 07 08 09 0A 0B
 FP365 0C 0D 0E 0F
 FP361 0G 0H 0J 0K 0L 0M
 0N 0P 0Q 0R 0S 0T
 0U
 FP365 0V 0X 0Y 0Z 10
 FP362 11 12
 FP365 13
 FP363 14 15
 FP365 16
 FP363 17 18
 FP364 19 1A
 FP365 1B
 FP363 1C
 FP365 1D 1E 1F
 FP363 1G 1H
 FP364 1J
 FP365 1K
 FP363 1L
 FP364 1M 1N 1P 1Q 1R 1S
 1T 1U
 FP363 1V 1W 1X 1Y
 FP364 1Z
 FP361 20 21
 FP365 22 23
 FP362 24 25 26 27 28 29
 FP361 2D 2E
 FP362 2F 2G 2H 2J 2K 2L
 2M 2N 2P
 FP361 2T 2U 2V
 FP365 2W 2X 2Y
 FP361 2Z

C6 CONNECTOR
 A02 WPO10AF2
 A04 WPO10AL6
 B02 WPO10AF4
 B04 WPO10AF6
 C02 WPO10AF6
 D04 WPO10AF6
 E02 WPO10AG2
 E04 WPO10AH6

D2 QUAD CARD
 5853114 2645
 D3
 D4

D5 FP411 00 01
 FP413 02 03
 FP411 04
 FP413 05
 FP412 06 07 08 09
 FP411 0A 0B 0C 0D 0E 0F
 FP413 0G 0H
 FP412 0J 0K 0L 0M
 FP414 0N
 FP413 0P
 FP414 0Q 0R 0S 0T 0U
 FP411 0V
 FP413 0W 0X
 FP414 0Y 0Z
 FP413 10
 FP414 11 12 13 14
 FP412 15 16 17
 FP414 18
 FP412 19
 FP414 1A 1B 1C 1D 1E
 FP411 1F
 FP414 1G
 FP413 1H 1J
 FP411 1K
 FP414 1L
 FP413 1M 1N
 FP412 1P 1Q 1R
 FP414 1S
 FP412 1T
 FP413 1U
 FP412 1V 1W
 FP413 1X
 FP414 1Y
 FP412 1Z 20 21
 FP414 22
 FP413 23 24 25 26 27 28
 29 2A 2B 2C 2V 2W
 FP412 3X 3Y 3Z 40 41 42
 FP413 43
 FP411 44

D6 CONNECTOR
 E02 WPO10AR2
 E04 WPO10AD2

E2 DOUBLE CARD
 5857395 2652

FP323 00 01 02 03 04
 FP324 05
 FP323 06 07
 FP321 08 09 0A 0B 0C 0D
 0E 0F 0G 0H 0J 0K
 0L 0M 0N 0P 0Q 0R
 FP322 0L 0M 0N 0P 0Q 0R
 0S 0T 0U 0V 0W 0X
 FP323 0Y 0Z
 FP324 10 11 12 13 14 15
 FP323 18 19 1A
 FP324 1B
 FP323 1C 1D 1E 1F
 FP324 1G 1H
 FP322 1J
 FP323 1K
 FP324 1L 1M
 FP324 1N 1S 1T
 FP323 1U
 FP321 1V 1W 1X 1Y 1Z 20
 21

E4 DOUBLE CARD
 8214299 3072

FP861 00
 FP862 01 02
 FP86 03 04 05 06 07 08
 FP862 09 0A 0B
 FP861 0C 0D
 FP864 0E 0F
 FP861 0G
 FP864 0H 0J 0K
 FP861 0L
 FP862 0M 0N
 FP861 0P 0Q 0R 0S 0T 0U
 0V 0W 0X 0Y
 FP862 0Z 10
 FP861 11 12
 FP862 13 14 15
 FP861 19 1A 1B 1C 1D

E5 CONNECTOR
 D10 FP2213E6

E6 CONNECTOR
 A02 WPO10AD4
 B04 WPO10AH6
 C02 WPO10AD6
 C04 WPO10AL2

E6 D02 WPO10AR2
 D04 WPO10AG6
 E02 WPO10AR4
 QUAD CARD
 5857980 2637

FP403 00 01 02 03 04 05
 FP402 06
 FP403 07
 FP402 08
 FP401 09 0A 0B 0C 0D
 FP402 0E 0F 0G 0H
 FP404 0J 0K
 FP401 0L 0M 0N 0P
 FP402 0Q 0R 0S 0T
 FP401 0U
 FP404 0V
 FP403 0W 0X 0Y 0Z
 FP404 10 11 12 13 14
 FP401 15
 FP402 16
 FP403 17 18 19
 FP404 1A
 FP414 1L
 FP402 1C 1D
 FP404 1E
 FP401 1F
 FP402 1G
 FP404 1H 1J
 FP402 1K 1L
 FP404 1M
 FP401 1N
 FP404 1P 1Q 1R
 FP402 1S
 FP404 1T 1U
 1V
 FP403 1X
 FP401 1Y
 FP403 1Z 20
 FP404 21
 FP401 22
 FP402 23 24 25
 FP401 26
 FP404 27
 FP402 28 29 2A
 FP401 2B 2C 2D 2E 2F 2G
 FP404 2H
 FP402 2J
 FP404 2K 2L 2M
 FP402 2U
 FP404 2V
 FP401 2W
 FP404 44
 FP401 45 46 47 48
 FP404 49 4A 4C 4D 4E 4F
 FP401 50
 FP404 51 52
 FP401 53 55
 FP404 56
 FP403 57 58 59 5A

F6 CONNECTOR
 A04 WPO10AR2
 B02 WPO10AG6
 B04 WPO10AR6
 C02 WPO10AR2
 C04 WPO10AR6
 D02 WPO10AR6
 E04 WPO10AR6

G2 QUAD CARD
 8214298 0758

FP824 00 01 02 03 04 05
 FP822 06 07
 FP826 08 09
 FP821 0A 0B 0C 0D 0E 0F
 FP826 0G 0H
 FP824 0J 0K
 FP825 0L
 FP822 0M
 FP825 0N
 FP822 0P 0Q 0R 0S
 FP823 0T 0U 0V 0W 0X
 FP821 0Y
 FP822 0Z 10 11 12
 FP821 13 14
 FP822 15
 FP825 16
 FP824 17
 FP821 18
 FP823 19
 FP824 1A
 FP822 1B
 FP824 1C 1D

FP822 1E
 FP825 1F 1G
 FP826 1H
 FP822 1J
 FP821 1K
 FP822 1L
 FP824 1M
 FP823 1N
 FP821 1P
 FP823 1Q 1R 1S
 FP821 1T
 FP823 1U 1V
 FP821 1W 1X
 FP821 1Z
 FP822 20
 FP821 21
 FP826 22
 FP823 23
 FP821 24
 FP822 25 26
 FP824 27 28
 FP822 29
 FP824 2A
 FP823 2B 2C
 FP824 2D
 FP826 2E
 FP823 2F
 FP821 2H
 FP825 2J 2K
 FP823 2L 2M
 FP826 2N
 FP821 2P 2Q
 FP822 2R
 FP823 2S 2T 2U
 FP824 2V
 FP826 2W 2X
 FP825 2Y 2Z 30 31 32 33
 FP823 3A

G6 CONNECTOR
 A02 WPO10AC6
 A04 WPO10AN2

H2 QUAD CARD
 5854652 2644

FP351 00 01 02 03 04 05
 06 07
 FP352 08 09 0A 0B 0C 0D
 0E 0F 0G 0H 0J 0K
 0L 0M
 FP351 0N 0P 0Q 0R 0S 0T
 FP352 0U 0V 0W
 FP351 0X 0Y 0Z 10
 FP353 11
 FP352 12 13 14
 FP353 15
 FP351 16 17
 FP353 18
 FP352 19 1A
 FP353 1B 1C 1D 1E 1F 1G
 1H
 FP351 1J 1K
 FP352 1L
 FP353 1M 1N
 FP352 1P
 FP353 1Q 1R 1S 1T 1U
 FP351 1V 1W 1X
 FP353 1Y 1Z 20 21 22 29
 33 34

H6 CONNECTOR
 A02 FP353AY2
 A04 FP315AG6
 B02 FP351AV2
 C04 FP315AP6
 D02 FP351AX2
 D04 FP315AL6
 E02 FP351AY2
 E04 FP315AS2

J2 QUAD CARD
 5853835 2640

FP314 00 01 02 03 04 05
 FP315 06 07 08
 FP312 09 0A 0B 0C 0D 0E
 0F 0G
 FP314 0H
 FP315 0J 0K 0L
 FP312 0M 0N 0P 0Q
 FP314 0R
 FP315 0S 0T
 FP313 0U
 FP315 0V

FP311 0W
 FP314 0X
 FP315 0Y
 FP311 0Z 10 11 12 13
 14 15 16
 FP311 17 18
 FP313 19
 FP315 1A
 FP312 1B
 FP314 1C 1D
 FP315 1E
 FP314 1F
 FP312 1G
 FP313 1H
 FP315 1J 1K
 FP312 1L
 FP314 1M
 FP315 1N 1P
 FP311 1Q
 FP313 1R 1S 1T
 FP315 1U 1V 1W 1X
 FP311 1Y
 FP314 1Z
 FP315 20
 FP311 21 22 23
 FP314 24 25 26
 FP311 27
 FP312 28
 FP313 29
 FP314 2A
 FP312 2B
 FP313 2C
 FP315 2D
 FP312 2E
 FP314 2F
 FP312 2G 2H 2J
 FP314 2K
 FP312 2L 2M 2N
 FP315 2P
 FP313 2Q
 FP314 2R
 FP312 2S 2T
 FP314 2U
 FP312 2V
 FP311 2W
 FP313 2X
 FP314 2Y
 FP311 2Z
 FP314 30 31
 FP311 32 33 34 35
 FP312 36
 FP313 37
 FP314 38 39 30 3J 3K 3T
 FP312 3U
 FP313 3V
 FP314 3W 3X
 FP315 3Y
 FP313 3Z 40
 FP314 41
 FP315 42
 FP311 43 45
 FP314 46
 FP315 47

J6 CONNECTOR
 A02 FP351BR2
 B04 FP311CR4
 C02 FP352AU2
 C04 FP313AM6
 D02 FP352AW2
 D04 FP313AL6
 E02 FP352AX2

K2 QUAD CARD
 8231523 3858

FP345 00 01 02 03
 FP346 04 05
 FP342 06
 FP341 07
 FP342 08 09
 FP341 0A
 FP343 0B 0C 0D 0E 0F 0G
 FP341 0H 0J 0K 0L 0M 0N
 FP345 0P
 FP346 0Q 0R 0S
 FP342 0T 0U 0X 0Y
 FP341 11 12 13
 FP342 14
 FP343 15
 FP342 16
 FP344 17
 FP346 18 19
 FP343 1A 1B 1C 1D
 FP341 1E
 FP342 1F
 FP343 1G 1H 1J 1K 1L
 FP344 1R

FP342 1N 1P 1Q
 FP341 1R
 FP342 1S
 FP346 1U
 FP342 1V
 FP341 1W
 FP342 1X
 FP341 1Z 20
 FP342 21 22 23
 FP341 24
 FP342 25
 FP343 26 27
 FP341 28
 FP342 29
 FP346 2A
 FP342 2B
 FP345 2C 2D
 FP342 2E
 FP341 2F
 FP345 2G
 FP343 2H
 FP341 2J
 FP342 2K
 FP341 2L
 FP342 2M
 FP341 2N
 FP342 2O
 FP343 2R 2S
 FP346 2T
 FP344 2U
 FP341 2Z
 FP342 3K 3L 3M 3N
 FP345 3P
 FP342 3Q
 FP341 40
 FP344 4A 4B 4C 4D 4E 4F

K6 CONNECTOR
 A04 FP313AK6
 B02 FP352AZ2
 B04 FP311CR6

L2 DOUBLE CARD
 8210792 2638

FP501 00 01
 FP502 02
 FP501 03 04 05 06
 FP502 07 08
 FP501 09
 FP502 0A 0B 0C
 FP501 0D
 FP502 0E 0G 0J 0K 0L
 FP501 0M 0N
 FP502 0P 0Q 0R 0S
 FP501 0T 0U 0V
 FP502 0W
 FP501 0X
 FP504 0Y
 FP501 0Z 10
 FP502 11 12
 FP501 13 14
 FP502 17
 FP501 18
 FP502 19 1A 1B 1C 1D 1E
 FP501 1K 1N 1S 1T 1U 1V
 FP504 1W
 FP501 1X
 FP504 1Y

L4 SINGLE CARD
 5858714 2644 UCS

FP801 00 01
 FP802 02 03 04 05
 FP801 06 07
 FP802 08 09
 FP801 0A 0B
 FP802 0C
 FP801 0D 0E
 FP804 0F
 FP801 0G
 FP802 0H
 FP801 0N 0P 0R 0S

L5 SINGLE CARD
 5853060 4050

SOCKET LISTING
 DATE 04-10-72 RACH: 5203-ATT
 LOC 2318 BOARD 01A-81
 (PREV. ENGR. 02-05-71 818912
 (PREV. ENGR. 03-31-72 577022
 (No. 2588315
 IBM CORP. SDD BLK. 011

L5	FP601	00 01 02 03 04 05
		06 07 08 09 0A 0B
		0D 0E 0F 0G 0H 0K
		0N 0O 0P 0Q 0R 0Z
		11 12 13 14 15
L6	CONNECTOR	
	D02	FP911CP6
	D04	FP306ALZ
	E02	FP911CQ2
R2	QUAD CARD	
R3		8212525 2657
R4		
R5		
	FP302	00 01 02 03
	FP306	04 05 06
	FP302	07 08 09 0A 0B 0C
	FP303	0D 0E 0F 0G 0H 0J
	FP305	0K 0L
	FP302	0N
	FP303	0P 0Q
	FP304	0R 0S 0T 0U
	FP303	0V
	FP304	0W 0X 0Y 0Z 10 11
	FP305	12
	FP302	13
	FP304	14 15
	FP302	16
	FP304	17
	FP305	18 19
	FP301	1A 1B 1C 1D
	FP305	1E
	FP303	1F
	FP305	1G
	FP302	1H
	FP305	1J
	FP301	1K
	FP305	1L 1M 1N 1P
	FP304	1Q
	FP306	1R 1S 1T
	FP304	1U 1V 1W 1X
	FP306	1Y 1Z 20
	FP305	21 22
	FP306	23
	FP306	24
	FP303	25
	FP305	26
	FP301	27 28 29
	FP306	2A
	FP305	2B
	FP303	2C
	FP305	2D
	FP302	2E
	FP305	2F
	FP306	2G
	FP303	2H
	FP306	2J
	FP305	2K 2L 2M
	FP304	2N
	FP306	2P
	FP304	2Q
	FP305	2R 2S
	FP306	2T
	FP305	2U 2V 2W
	FP302	2X
	FP303	2Y
	FP304	2Z
	FP306	30
	FP301	31
	FP306	32
	FP302	33
	FP306	34
	FP305	35
	FP303	36
	FP304	37
	FP303	38
	FP306	39
	FP304	3A
	FP306	3B
	FP305	3C 3D 3E
	FP303	3F 3G 3H
	FP306	3I
	FP303	3J 3K
	FP306	3L
	FP306	3M 3N
	FP305	3O 3P
	FP303	3Q 3R
	FP305	3S
	FP303	3T 3U
	FP305	3V
	FP303	3W 3X 3Y 3Z 40 41
		42 43 44 45 46 47
	FP301	4A
	FP302	4B 4C 4D 4E
	FP306	4F

	FP302	63 64
	FP306	65 66
N6	CONNECTOR	
	A04	FP303AJ6
	B02	FP314B66
	B04	FP303AX2
	C02	FP911CQ4
	C04	FP341AZ6
	D02	FP911CQ6
	E04	FP911CP2
N2	QUAD CARD	
N3		5856570 2642
N4		
N5		
	FP621	00 01 02 03 04 05
		06 07 08 09 0A 0B
	FP622	0C 0D 0E 0F 0G 0H
		0J 0K 0L 0M 0N 0P
	FP623	0Q 0R 0S
	FP622	0T
	FP625	0U 0V
	FP623	0W 0X 0Y 0Z 10 11
	FP621	12
	FP623	13
	FP624	14
	FP625	15
	FP621	16 17
	FP622	18 19
	FP621	1A 1B
	FP622	1C 1D
	FP621	1E 1F
	FP622	1G 1H
	FP624	1J 1K
	FP625	1L 1M
	FP623	1N 1P
	FP625	1Q 1R
	FP624	1S 1T
	FP622	1U
	FP623	1V
	FP625	1W
	FP623	1X
	FP624	1Y 1Z
	FP623	20
	FP625	21 22
	FP624	23 24
	FP621	25 26
	FP622	27 28
	FP624	29
	FP625	2A 2B
	FP622	2C
	FP623	2D 2E 2F
	FP625	2G 2H 2J 2K
	FP623	2L
	FP625	2M
	FP624	2N 2P
	FP622	2Q
	FP625	2R 2S
	FP623	2T 2U
	FP625	2V 2W
	FP623	2X
	FP625	2Y 2Z
	FP624	2A 2B 2C 2D 2E 2F 2G 2H 2J 2K
	FP625	2L 2M 2N 2P 2Q 2R 2S 2T 2U 2V 2W 2X 2Y 2Z 30 31 32 33 34 35 36 37 38 39 40 43 44 45
	FP623	46
	FP621	47 48 49 4A
N6	CONNECTOR	
	A02	FP305BJ6
	B02	FP305BX6
	C02	FP911CP2
	E02	FP911CP4
	E04	WP010RL4
R2	QUAD CARD	UFC
R3		5856570 2642
R4		
R5		
	FP711	00 01 02 03 04 05
		06 07 08 09 0A 0B
	FP712	0C 0D 0E 0F 0G 0H
		0J 0K 0L 0M 0N 0P
	FP713	0Q 0R 0S
	FP712	0T
	FP715	0U 0V
	FP713	0W 0X 0Y 0Z 10 11
	FP711	12
	FP713	13
	FP714	14
	FP715	15
	FP711	16 17
	FP712	18 19
	FP711	1A 1B

	FP712	1C 1D
	FP711	1E 1F
	FP712	1G 1H
	FP714	1J 1K
	FP715	1L 1M
	FP713	1N 1P
	FP715	1Q 1R
	FP714	1S 1T
	FP712	1U
	FP713	1V
	FP715	1W
	FP713	1X
	FP714	1Y 1Z
	FP715	20
	FP714	21 22
	FP715	23 24
	FP711	25
	FP712	26
	FP715	27 28
	FP714	29
	FP715	2A 2B
	FP712	2C
	FP713	2D 2E 2F
	FP715	2G 2H 2J 2K
	FP713	2L
	FP715	2M 2N
	FP714	2P
	FP712	2Q
	FP711	2R 2S
	FP715	2T
	FP712	2U
	FP713	2V 2W
	FP715	2X
	FP714	2Y 2Z
	FP713	30 31 32 33 34 35 36 37 38
	FP715	39 40 43 44 45
	FP712	46
	FP715	47
R2	DOUBLE CARD	DFC
R3		5857394 2641
	FP701	00 01 02 03 04 05
		06 07 08 09 0A 0B
	FP702	0C 0D
	FP701	0E
	FP703	0F 0G 0H
	FP702	0J
	FP701	0K
	FP702	0L
	FP703	0M 0N 0P 0Q 0R 0S
	FP702	0T
	FP702	0U
	FP703	0V
	FP702	0W
	FP703	0X
	FP702	0Y 0Z
	FP703	10
	FP702	11 12 13 14
	FP701	15 16
	FP702	17 18
	FP703	19
	FP701	1A 1B 1C
	FP703	1D
	FP701	1E 1F
	FP702	1G 1H 1J
	FP703	1K 1L
	FP702	1M
	FP701	1N 1P
	FP703	1Q
	FP702	1S
	FP703	1T 1Z 20 21
	FP701	22
	FP703	23
	FP701	24
R4	DOUBLE CARD	
R5		5857394 2641
	FP611	00 01 02 03 04 05
		06 07 08 09 0A 0B
	FP612	0C 0D
	FP611	0E
	FP613	0F 0G 0H
	FP612	0J
	FP611	0K
	FP612	0L
	FP613	0M 0N 0P 0Q 0R 0S
	FP612	0T
	FP613	0V
	FP612	0W
	FP613	0X
	FP612	0Y 0Z
	FP613	10
	FP612	11 12 13 14
	FP611	15 16
	FP612	17 18
	FP613	19

	FP611	1A 1B 1C
	FP613	1D
	FP611	1E 1F
	FP612	1G 1H 1J
	FP613	1K 1L
	FP611	1M 1P
	FP613	1Q
	FP612	1S
	FP613	1T 1Z 20 21
	FP611	22
	FP613	23
	FP611	24
S2	SINGLE CARD	
		8212524 0967
	FP618	02 03 04 05 06 07
		08 09 0A 0B 0D 0E
		0F 0G 0J 0K 0L 0N
S3	SINGLE CARD	
		5855641 4432
	FP231	00 01 02 04 05 06
		08 0A
S4	DOUBLE CARD	
S5		5855214 2649
	FP202	18 19 1A 1B
	FP201	1D
	FP202	1E 1F 1G
	FP201	1H 1J 1K 1L 1M 1N
		1P 1Q 1R
	FP202	1S 1T 1U 1V 1W 1X
		1Y
	FP201	1Z 20 21 22
T4	DOUBLE CARD	
T5		5854653 2650
	FP211	00 01 02
	FP212	03
	FP211	04 05 06
	FP212	07 08 09 0A 0B
	FP211	0C
	FP212	0D 0E 0F
	FP211	0G 0H 0J 0K 0L 1A
		1R 1S 1T 1U 1V 1W
	FP212	1X 1Y 1Z 20 21 22
	FP211	28 29 2A 2B 2C 2D
	FP212	2E 2F 2G 2H 2J 2K
		2L 2M 2N 2P 2Q 2R
	FP211	2S 2T 2U 2V
	FP212	2Y 2Z
	FP211	30
V2	CONNECTOR	
	B10	FP818AX4
	D09	WP121AE6
V3	CONNECTOR	
	B02	FP211BE4
	B04	FP211AL4
	B05	FP211BF4
	B06	FP211AM4
	B08	FP211AT4
	B09	FP212AE4
	B10	FP212AJ4
	B12	FP212AF4
	B13	WP121AE2
	D02	WP121AE4
	D03	FP212AV4
	D05	FP212AG4
	D06	FP212AH4
	D07	FP212AM4
	D09	FP212AX4
	D10	FP211MH4
	D11	FP211BC4
	D13	FP211AK4
V4	CONNECTOR	
	B02	FP211BD4
	B04	FP211BA4
	B05	FP211AJ4
	B06	WP121AA2
	B08	WP121AA4
	B09	WP121MA6
	B10	WP121MB1
	B12	WP121MB3
	B13	FP211AC4
	D02	FP211BB4
	D03	WP121AB5
	D05	WP121AB7
	D06	WP121AC2
	D07	WP121MC4
	D09	WP121MC6

V4	M10	WP121AD1
	D11	WP121AD3
	D13	FP231AJ4
V5	SINGLE CARD	
		5852590 2590
	WP111	A1 A2 A3 A4 D1 E1
		F1 H1 J1 K1 L1 M1
		N1 P1 Q1
		UNUSED PORTIONS
		B C G S

PLUG LIST				
PART NO	ACC	TYPE	SOCKETS	TOTAL
5850757		0757	B2	01
5852590		2590	V5	01
5853068		4650	L5	01
5853835		2640	J2	01
5854652		2646	H2	01
5854653		2650	T4	01
5855114		2645	D2	01
5855214		2649	S4	01
5855641		4432	S3	01
5856570		2642	N2	01
5856570	DFC	2642	P2	01
5857394		2641	R4	01
5857394	DFC	2641	R2	01
5857395		2652	E2	01
5857980		2637	F2	01
5858714	UCS	2644	L4	01
5858716		2653	C4	01
8210782		2655	C3	01
8210792		2638	L2	01
8212524		0967	S2	01
8212525		2657	R2	01
8214298		0758	G2	01
8214299		3072	E4	01
8231523		3858	K2	01
	COMN	A2	A3 A4 A5	21
		B6	B6 C6 D6	
		E5	E6 F6 G6	
		H6	H6 J6 K6 L6	
		M6	M6 V2 V3	
		V4		

SOCKET LISTING
DATE 04-10-72 ARCH. 5203-ATT

LOG 2218 BOARD 01A-81
PREV. ENGR. 02-05-71 81591Z
PRES. ENGR. 03-31-72 57702Z
P/N: 258815

IBM CORP. SDD BLK.

THE FOLLOWING BLACK WIRES PN 811695 ARE ADDED WHEN THE SPECIFIED FEATURES ARE INSTALLED
 THE FOLLOWING FEATURES MAY BE WIRED FOR THE 100 LPM FEATURE.

CODE	BOARD PN	LOWEST BOARD EC	NET NUMBER	PIN LOC	PIN LOC
DUAL CARR				A-BIM2B10	TO A-BIM2P03
NOT DUAL CARR				A-BIM2B10	TO A-BIE2J06
NOT DUAL CARR				A-BIS4G13	TO A-BIS4J08
100 LPM				A-BIF2P12	TO A-BIE5B12
96 PRT POS				A-BIG2M09	TO A-BIE2J09
96 PRT POS				A-BIG2S05	TO A-BIC4B10
120 PRT POS				A-BIG2M09	TO A-BIH2G11
120 PRT POS				A-BIG2S05	TO A-BIE5B12
132 PRT POS				A-BIG2M09	TO A-BIH2G11
132 PRT POS				A-BIG2S05	TO A-BIC4B10
DUAL BYTE MODE		(WIRE MUST BE ADDED ON ALL 5412 SYSTEMS)		A-BIN6A04	TO A-BIA5B09

THE FOLLOWING FEATURES MAY BE WIRED FOR THE 200 LPM FEATURE.

200 LPM				A-BIF2P12	TO A-BIF2S11
DUAL CARR				A-BIM2B10	TO A-BIM2P03
NOT DUAL CARR				A-BIM2B10	TO A-BIE2J06
NOT DUAL CARR				A-BIS4G13	TO A-BIS4J08
96 PRT POS				A-BIG2M09	TO A-BIE2J09
96 PRT POS				A-BIG2S05	TO A-BIC4B10
120 PRT POS				A-BIG2M09	TO A-BIH2G11
120 PRT POS				A-BIG2S05	TO A-BIE5B12
132 PRT POS				A-BIG2M09	TO A-BIH2G11
132 PRT POS				A-BIG2S05	TO A-BIC4B10
DUAL BYTE MODE (MUST BE ADDED ON ALL 5412 SYSTEMS)				A-BIN6A04	TO A-BIA5B09

THE FOLLOWING FEATURES MAY BE WIRED FOR THE 300 LPM FEATURE

DUAL CARR				A-BIM2B10	TO A-BIM2P03
NOT DUAL CARR				A-BIM2B10	TO A-BIE2J06
NOT DUAL CARR				A-BIS4G13	TO A-BIS4J08
96 PRT POS				A-BIG2D07	TO A-BIE2J09
96 PRT POS				A-BIG2B02	TO A-BIC4B10
120 PRT POS				A-BIG2D07	TO A-BIH2G11
120 PRT POS				A-BIG2B02	TO A-BIC3B12
132 PRT POS				A-BIG2D07	TO A-BIH2G11
132 PRT POS				A-BIG2B02	TO A-BIC4B10
DUAL BYTE MODE (MUST BE ADDED ON ALL 5412 SYSTEMS)				A-BIN6A04	TO A-BIA5B09

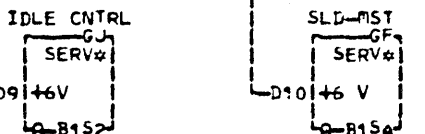
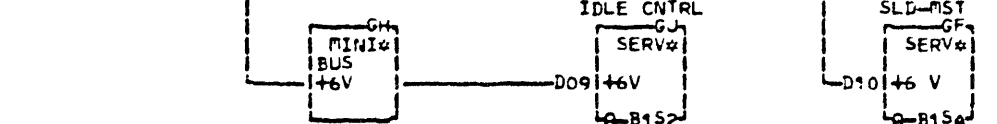
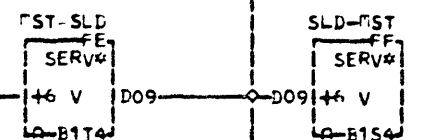
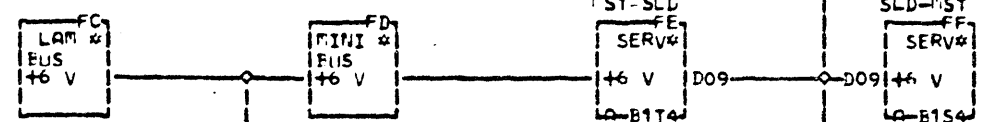
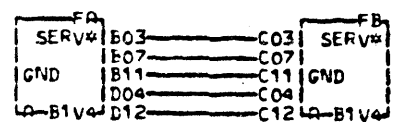
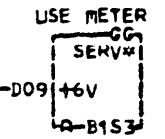
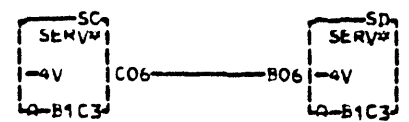
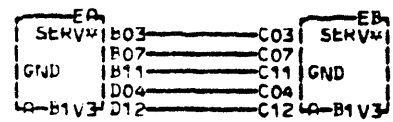
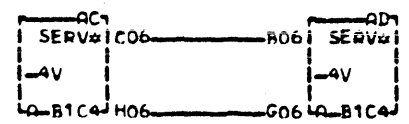
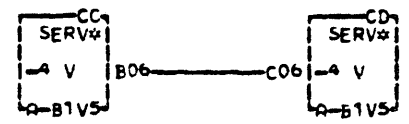
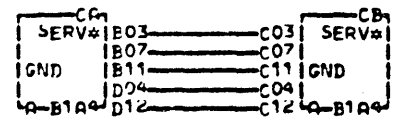
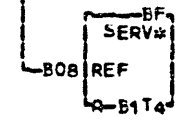
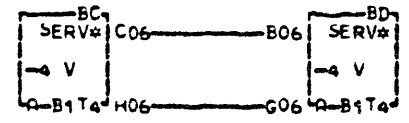
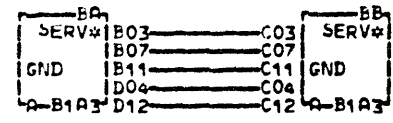
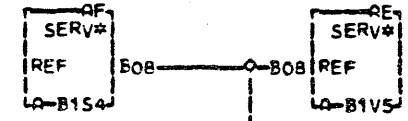
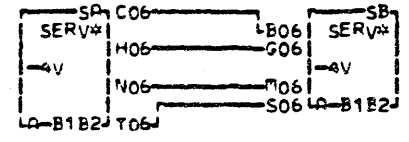
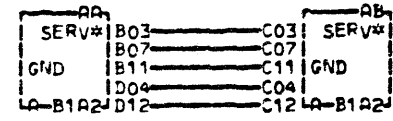
DATE EC NO.
18 SEPT 75 827767

DATE EC NO.
01 MAR 76 827876

DATE EC NO.
4 NOV 76 571931

DATE EC NO.

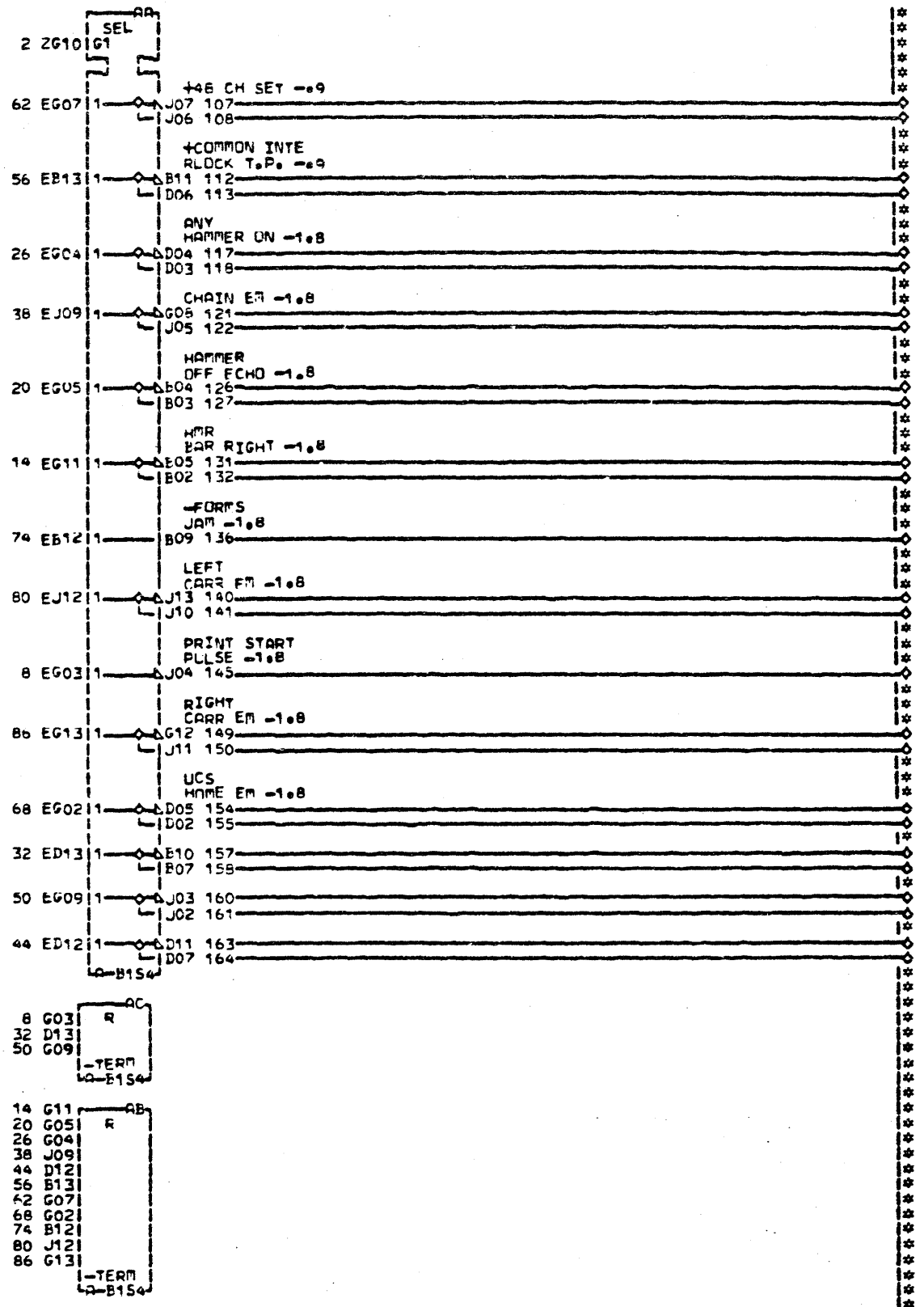
DATE EC NO.



LOC. TYPE

BOARD 01A-B1 SERVICE		F P 1 2 1
VERSION 011		
E.C. HISTORY	R. MACH. 5203-ATT	1 2 1
818912	FRAME 01	
DATE	IBM CORP. SDD	011
07-16-71	P.N. 7369370	

+ MST TIE-UP FP301AK4- 2-
 + INTF PRINT START PULSE WP121AA2- 8-2
 + INTF HMR BAR RIGHT WP121AA4- 14-2
 + INTF HAMMER OFF ECHO +3 WP121AA6- 20-2
 + INTF ANY HAMMER ON +3 WP121AB1- 26-2
 - INTF END OF FORMS +0 WP121AB3- 32-2
 + INTF CHAIN EM +3 WP121AB5- 38-2
 - INTF DEVICE READY +0 WP121AB7- 44-2
 - INTF HMR UNIT THERMO OVERL WP121AC2- 50-2
 - INTF COMMON INTERLOCK +0 WP121AC4- 56-2
 INTF 48 CH SET +0 WP121AC6- 62-2
 + INTF JCS CHAIN HOME EM +3 WP121AD1- 68-2
 - INTF FORMS JAM +0 WP121AD3- 74-2
 + INTF LEFT CARR EM +3 WP121AE2- 80-2
 + INTF RIGHT CARR EM +3 WP121AE4- 86-2



*** FP201 ***
 131 - HMR BAR RIGHT -1.8 AH2
 LFP346 LFP401 LFP501
 132 + HMR BAR RIGHT T.P. -0.9 AH6
 126 - HAMMER OFF ECHO -1.8 FP342-AK2
 127 + HAMMER OFF ECHO T.P. -0.9 AK6
 154 - UCS HOME EM -1.8 FP802-AM2
 155 + UCS HOME EM T.P. -0.9 AM6
 140 - LEFT CARR EM -1.8 FP612-BB2
 141 + LEFT CARR EM -0.9 FP345-BB6
 149 - RIGHT CARR EM -1.8 FR702-BD2
 150 + RIGHT CARR EM -0.9 FP345-BD6
 121 - CHAIN EM -1.8 BF2
 LFP222 LFP343
 122 + CHAIN EM T.P. -0.9 BF6
 117 - ANY HAMMER ON -1.8 FP342-BH2
 118 + ANY HAMMER ON T.P. -0.9 BH6
 *** FP202 ***
 163 + DEVICE READY T.P. -0.9 AH2
 164 - DEVICE READY -1.8 AH6
 LFP349 LFP501
 136 - FORMS JAM -1.8 FP342-AK6
 107 + 48 CH SET -0.9 AM2
 LFP404 LFP413 LFP502 LFP801
 LFP862
 108 - 48 CH SET -1.8 AM6
 LFP346 LFP404 LFP413 LFP501
 LFP502 LFP601 LFP861 LFP862
 112 + COMMON INTERLOCK T.P. -0.9 BA2
 LFP818
 113 - COMMON INTERLOCK -1.8 FP306-BA6
 145 - PRINT START PULSE -1.8 FP221-BC2
 160 + HMR UNIT THERMO OVERL T.P. -0.9 BE2
 161 - HMR UNIT THERMO OVERL -1.8 BE6
 LFP342 LFP345
 157 + END OF FORMS T.P. -0.9 BG2
 158 - END OF FORMS -1.8 BG6
 LFP306 LFP111

A. NOTE 1 CARRIAGE OPTION
 SINGLE FEED CARRIAGE
 CONNECT B154G13 TO B154J06
 B. SIM TO PN EC 818671

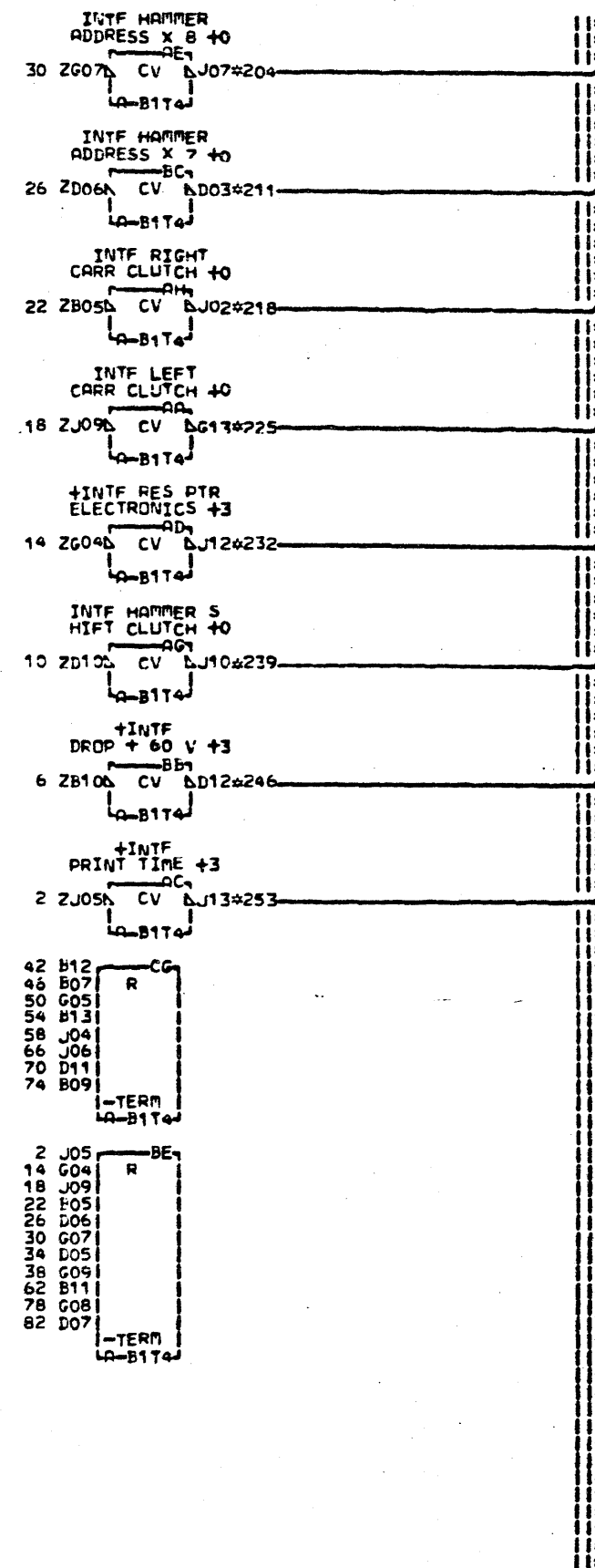
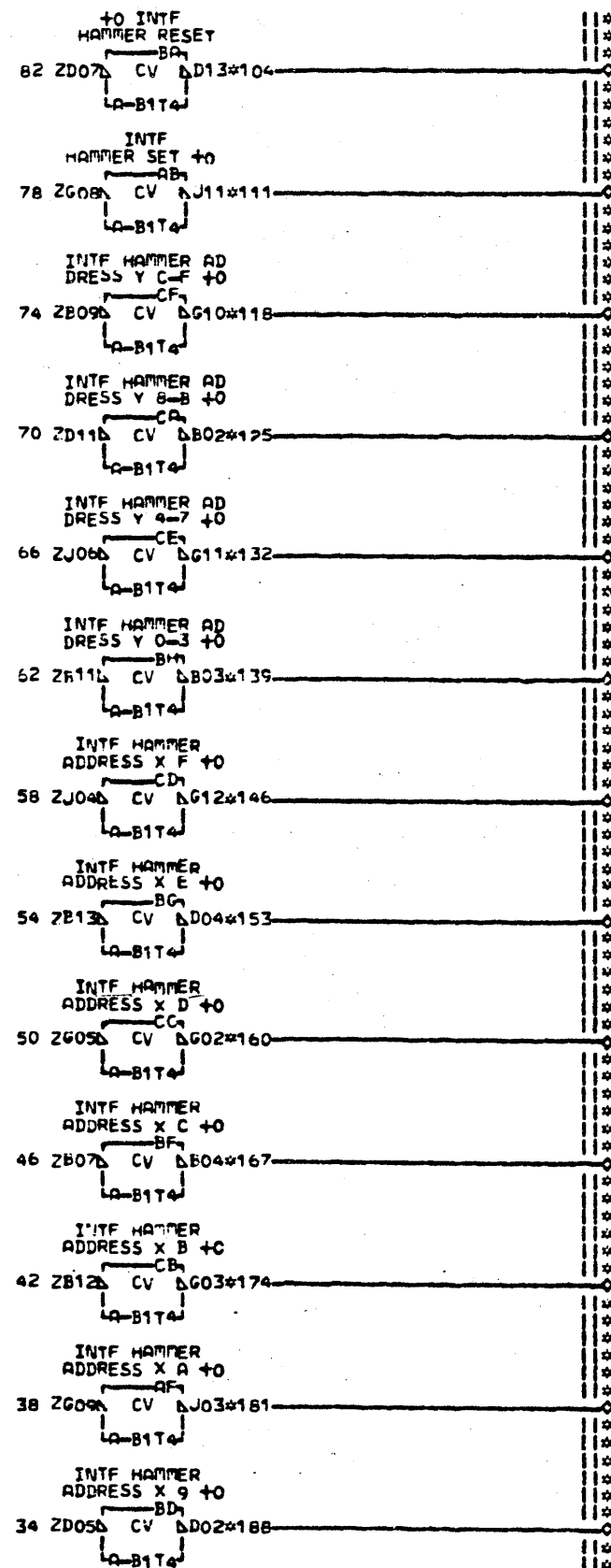
LOC. TYPE
 A-B154 2649

PAGE VER EC LEV
 FP201 000 818671
 FP202 011 818671

FP201
 FP202
 011

MST-5LD CONVERSION			
E.C. HISTORY	R. MACH. 5203-ATT		
818912		FRAME 01	FP201
		IBM CORP. SDD	FP202
DATE	LAST EC	IP. No.	011
07-16-71	818671	7369371	

+ PRINT TIME -09- FP313AR6- 2-2
+ DROP + 60 VOLTS -09- FP342AZ4- 6-1
- HAMMER SHIFT CLUTCH -1.0- FP501AQ6- 10-1
+ RESET PTR ELECTRONICS -09- FP502AT6- 14-2
- LEFT CARR CLUTCH -1.0- FP625AY6- 18-2
- RIGHT CARR CLUTCH -1.0- FP715AY6- 22-2
- HAMMER ADDRESS X7- FP813AU2- 26-2
- HAMMER ADDRESS X8- FP813AV2- 30-2
- HAMMER ADDRESS X9- FP813AW2- 34-11
- HAMMER ADDRESS XA- FP813AX2- 38-11
- HAMMER ADDRESS XB- FP814AU2- 42-11
- HAMMER ADDRESS XC- FP814AX2- 46-11
- HAMMER ADDRESS XD- FP814AY2- 50-11
- HAMMER ADDRESS XE- FP814AZ2- 54-11
- HAMMER ADDRESS XF- FP814BA2- 58-11
- HAMMER ADDRESS Y0- FP815AU2- 62-11
- HAMMER ADDRESS Y4- FP815AX2- 66-11
- HAMMER ADDRESS Y8- FP815AY2- 70-11
- HAMMER ADDRESS YC- FP815AZ2- 74-11
- HAMMER SET- FP823AG6- 78-11
- HAMMER RESET- FP823AX6- 82-11



011 FP211 FP212
*** FP211 ***

225 - INTF LEFT CARR CLUTCH +0- AG4 WP101
111 - INTF HAMMER SET +0- WP101-AH4
253 + INTF PRINT TIME +3- WP101-AJ4
232 + INTF RES PTR ELECTRONICS +3- AK4 WP101
204 - INTF HAMMER ADDRESS X 8 +0- AL4 WP101
181 - INTF HAMMER ADDRESS X A +0- AM4 WP101
239 - INTF HAMMER SHIFT CLUTCH +0- BA4 WP101
218 - INTF RIGHT CARR CLUTCH +0- BB4 WP101
109 - +0 INTF HAMMER RESET- WP101-BC4
246 + INTF DROP + 60 V +3- WP101-BD4
211 - INTF HAMMER ADDRESS X 7 +0- BE4 WP101
188 - INTF HAMMER ADDRESS X 9 +0- BF4 WP101

*** FP212 ***

167 - INTF HAMMER ADDRESS X C +0- AE4 WP101
153 - INTF HAMMER ADDRESS X E +0- AF4 WP101
139 - INTF HAMMER ADDRESS Y 0-3 +0- AG4 WP101
125 - INTF HAMMER ADDRESS Y B-B +0- AH4 WP101
174 - INTF HAMMER ADDRESS X B +0- AT4 WP101
160 - INTF HAMMER ADDRESS X D +0- AU4 WP101
146 - INTF HAMMER ADDRESS X F +0- AV4 WP101
132 - INTF HAMMER ADDRESS Y 4-7 +0- AW4 WP101
118 - INTF HAMMER ADDRESS Y C-F +0- AX4 WP101

A-SIM TO PN EC 818671
B-SIM TO PN EC 818671

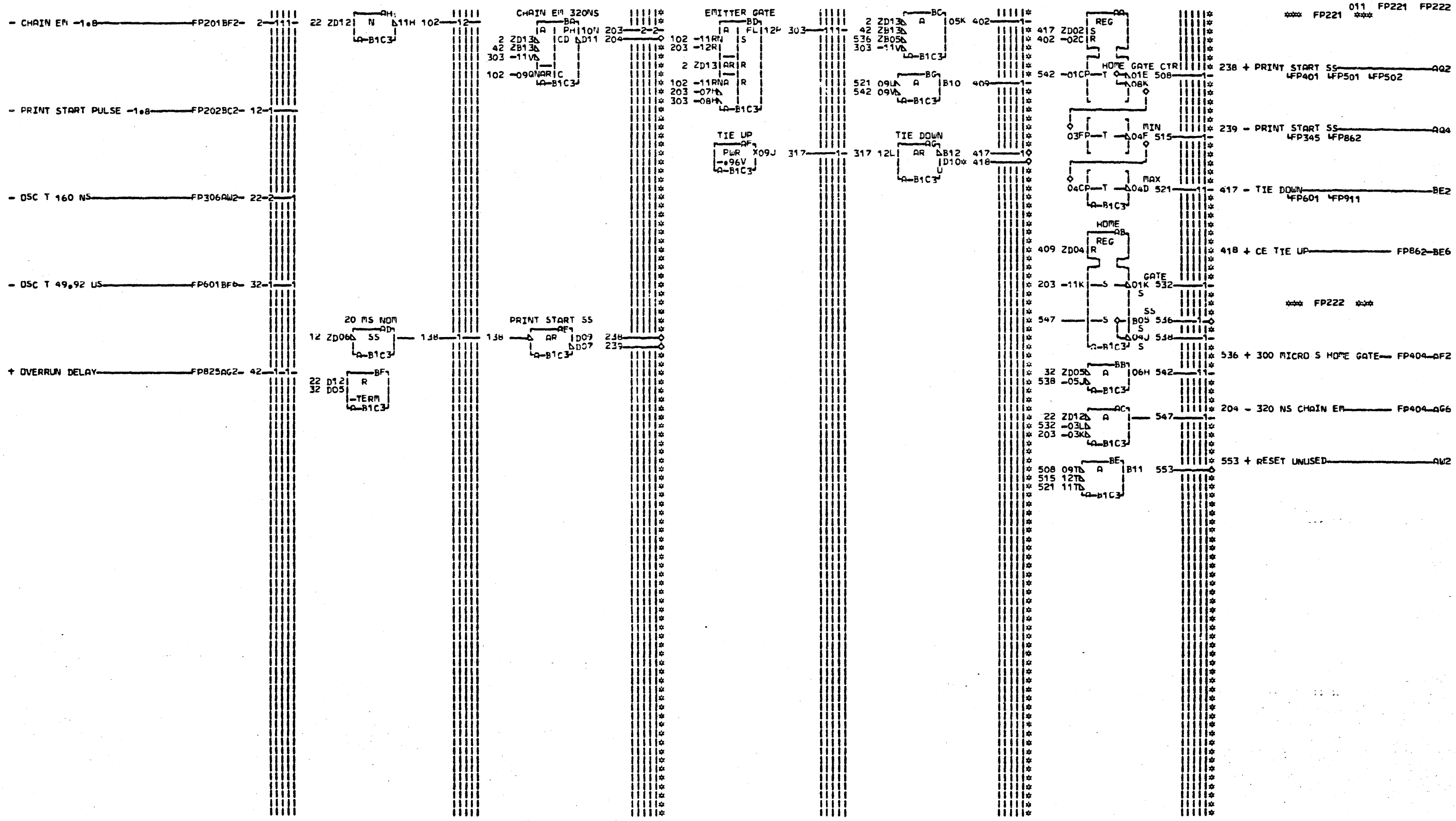
EDGE CONN. 167 A-B1V3B09 246 A-B1V4B02
104 A-B1V3D11 174 A-B1V3B08 253 A-B1V4B05
111 A-B1V3D10 181 A-B1V3B06
118 A-B1V3D09 188 A-B1V3B05
125 A-B1V3D07 204 A-B1V3B04
132 A-B1V3D06 211 A-B1V3B02
139 A-B1V3D05 218 A-B1V4D02
146 A-B1V3D03 225 A-B1V4B13
153 A-B1V3B12 232 A-B1V3D13
160 A-B1V3B10 239 A-B1V4B04

LOC. TYPE
A-B1T4 2650

PAGE VER EC LEV
FP211 011 818671
FP212 011 818671

FP211
FP212
011

MST-SLD CONVERSION
E.C. HISTORY R. MACH. 5203-ATT
818912 FRAME 01 FP211
DATE LAST EC IBM CORP. SDD FP212
07-16-71 818671 P.No. 7369372 011



011 FP221 FP222
*** FP221 ***

*** FP222 ***

A. SIM TO PN
B. SIM TO PN
EC 818671
EC 818671

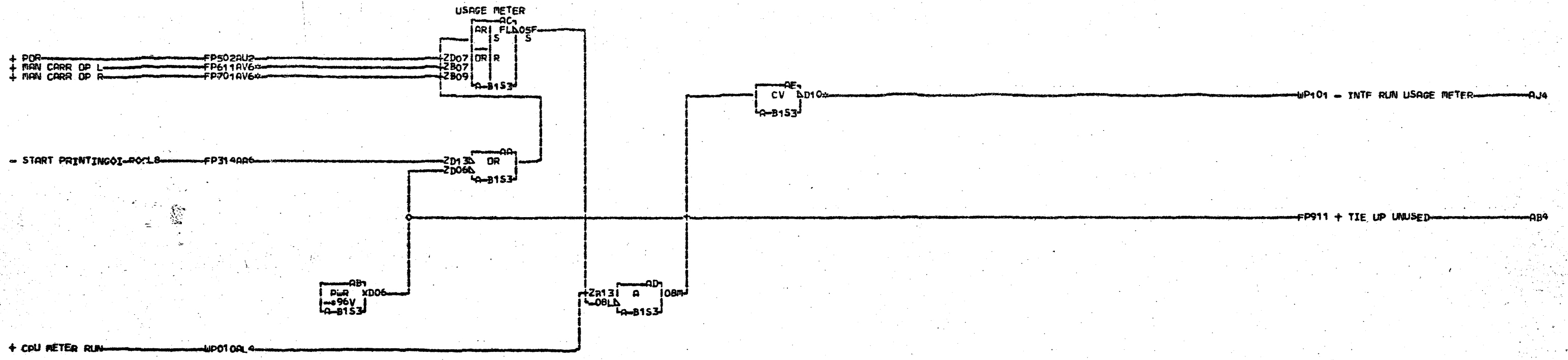
EDGE CONN.
418 A-B1E5D10

LOC. TYPE
A-B1C3 2655

PAGE VER EC LEV
FP221 011 818671
FP222 011 818671

300 CHAIN EMITTER SHAPING			
E.C. HISTORY	R. MACH.	5203-ATT	
818912	FRAME	01	FP221
	IBM CORP.	SDD	FP222
DATE	LAST EC		
07-16-71	818671	P.No. 7369373	011

FP221
FP222



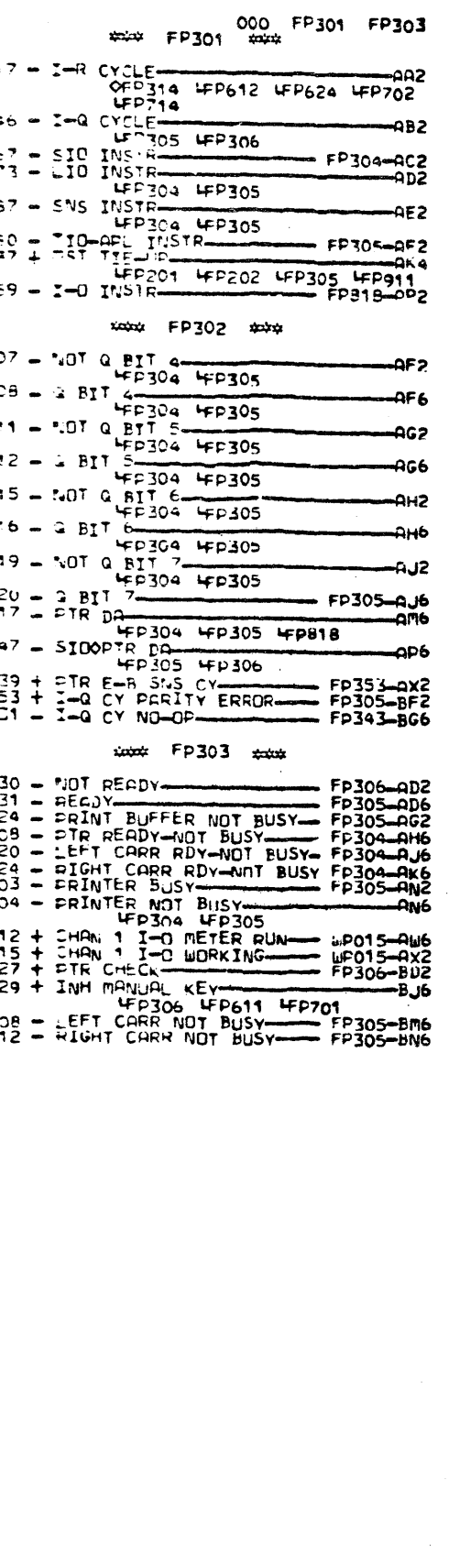
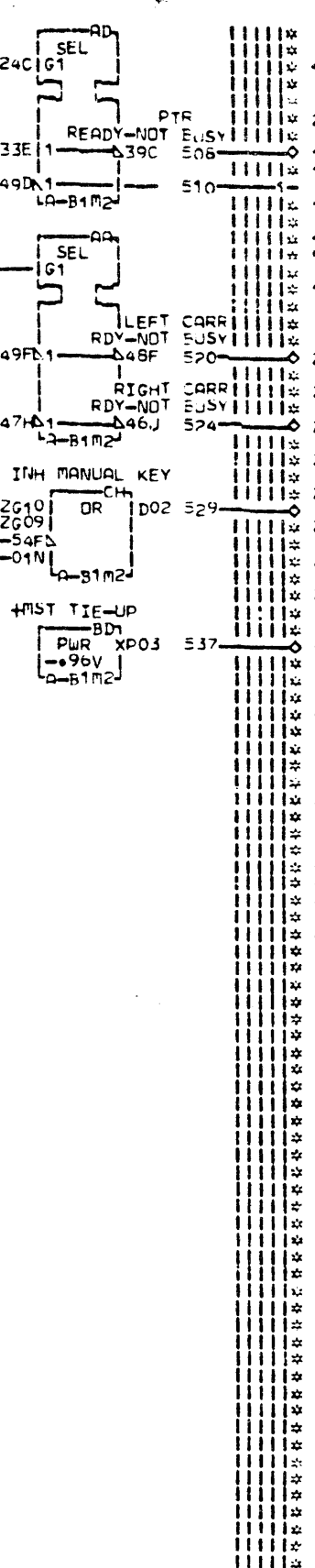
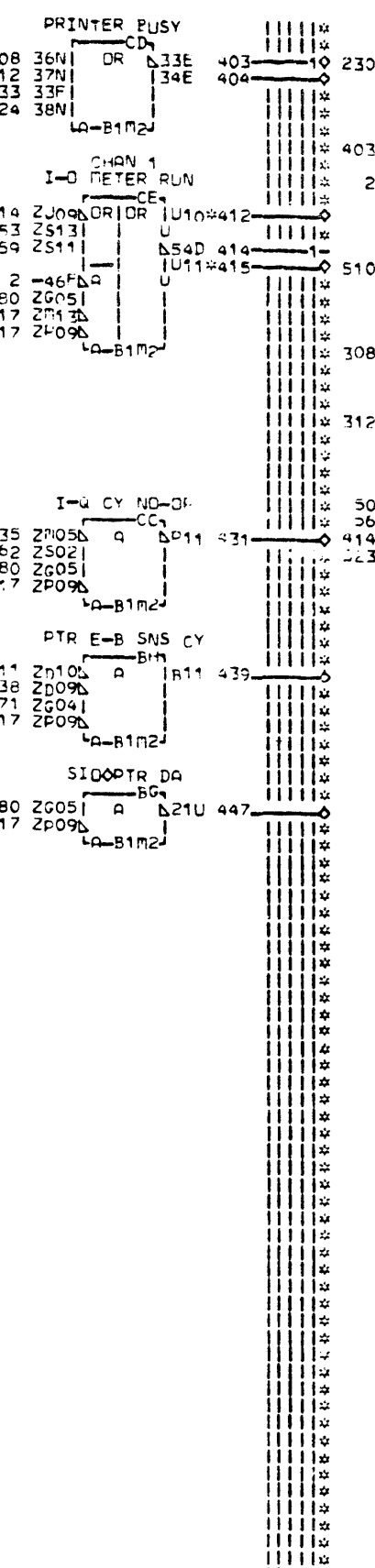
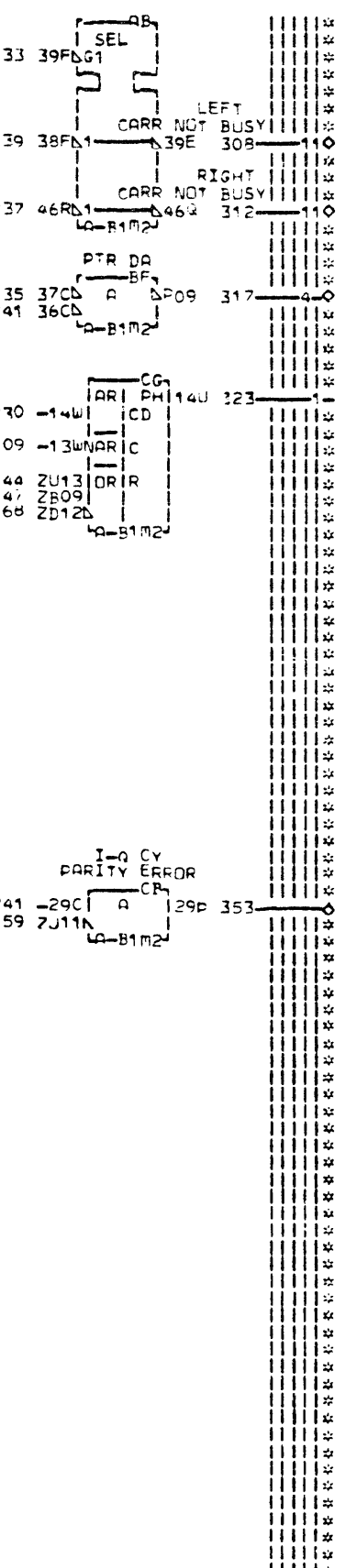
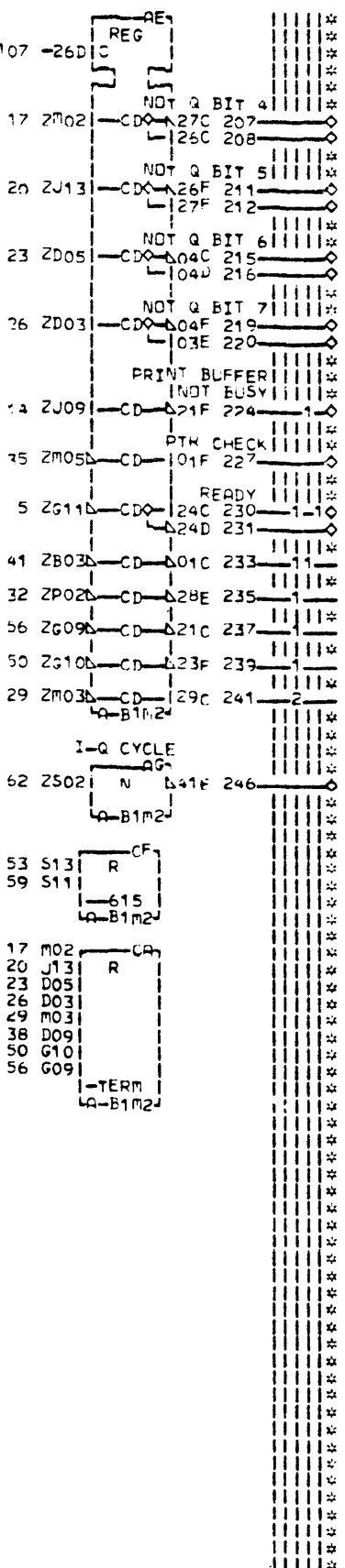
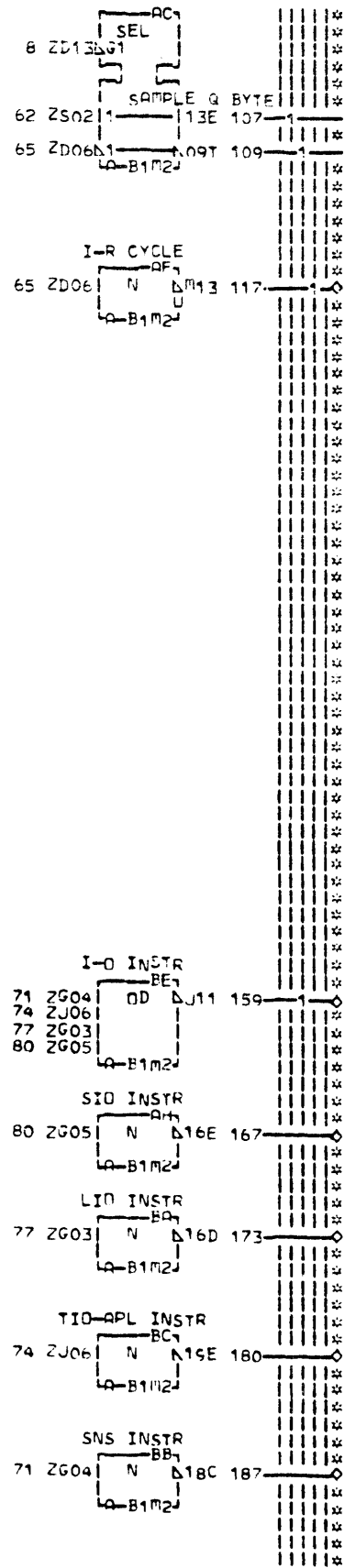
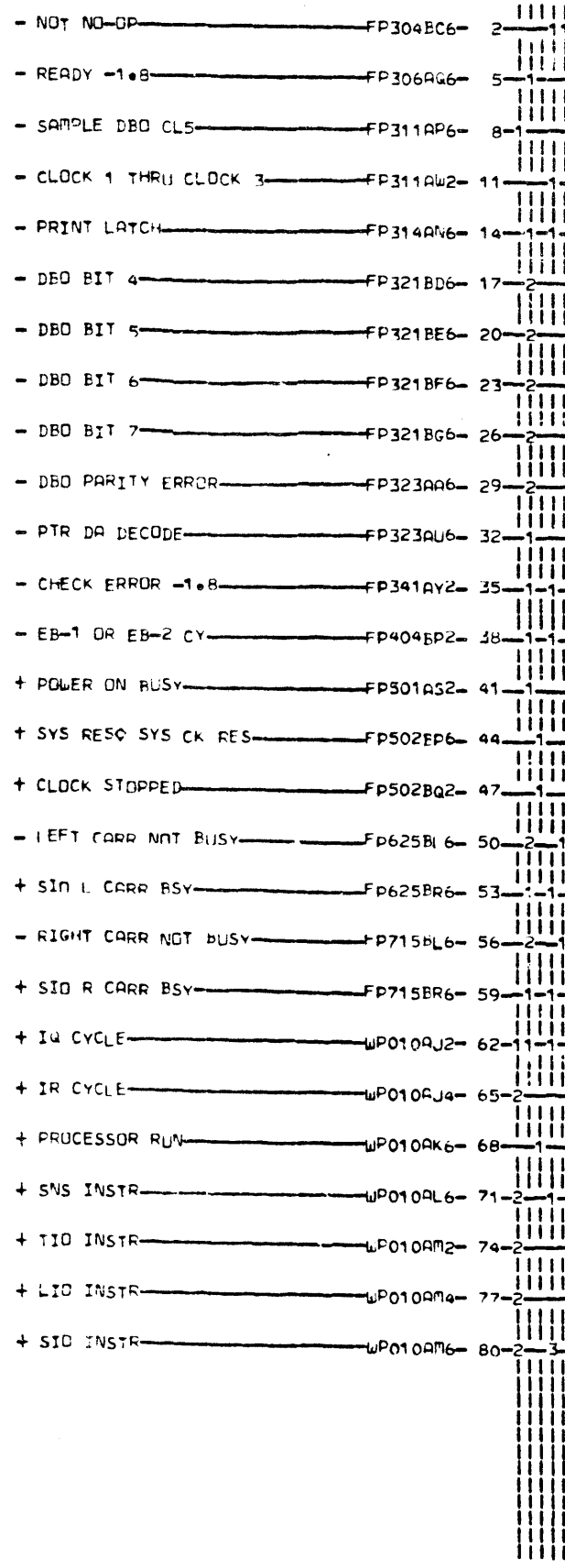
LDNMP
000

FP611AV6
RESISTOR
A-B153B07
FP701AV6
RESISTOR
A-B153B09
AE2 A-B1V4D13

LOC. TYPE
A-B153 4432

USAGE METER CONTROL	
E ₀ C ₀ -HISTORY 818912	R. MACH. 5203-ATT FRAME 01
DATE 07-16-71	LAST EC 818671
	IBM CORP. SDD P.No. 2589164

FP
1
000



EDGE CONN.
 412 A-B1M6A04
 01A-B1A5B04
 415 A-B1M6B04
 01A-B1A5B05

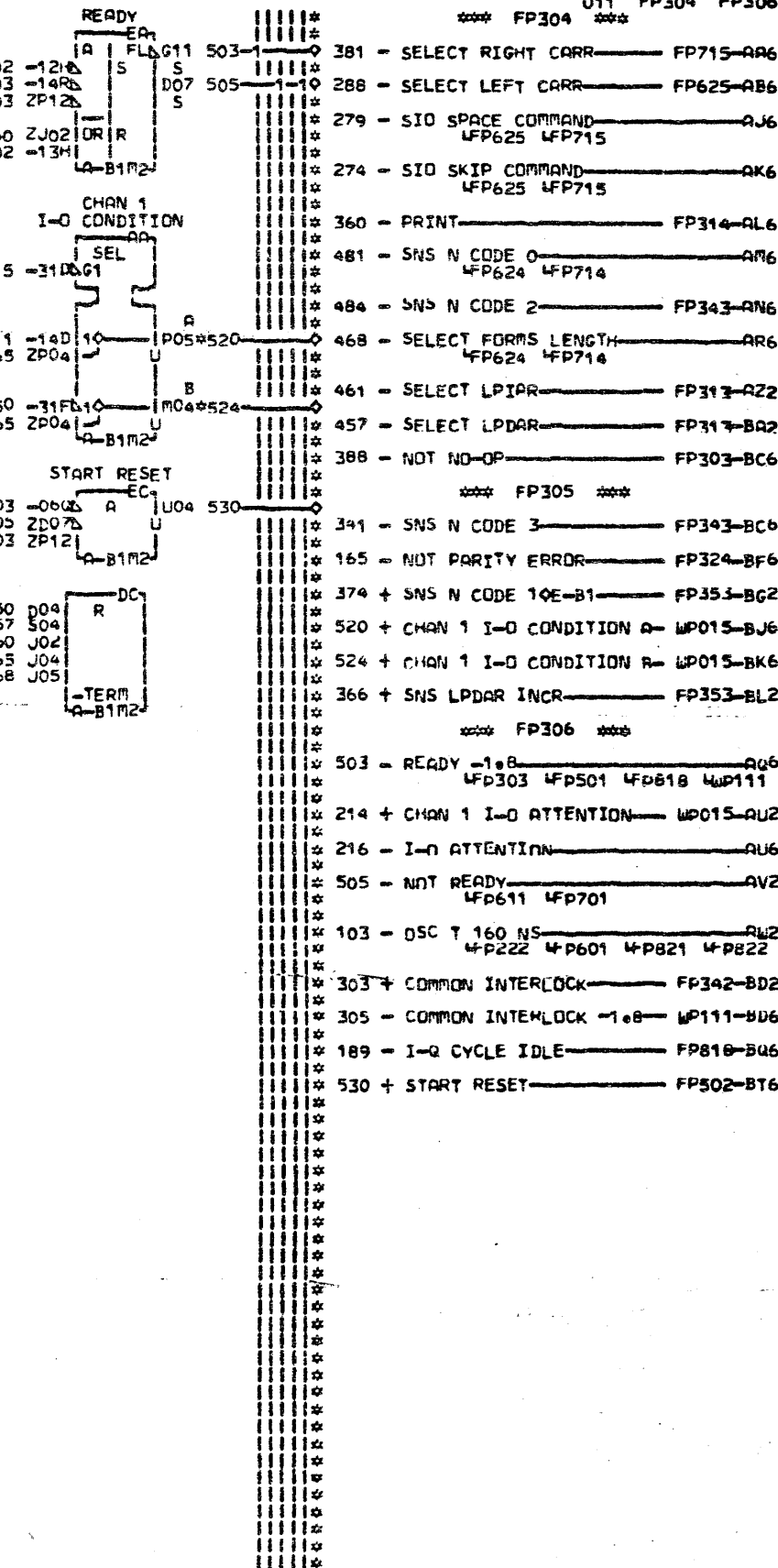
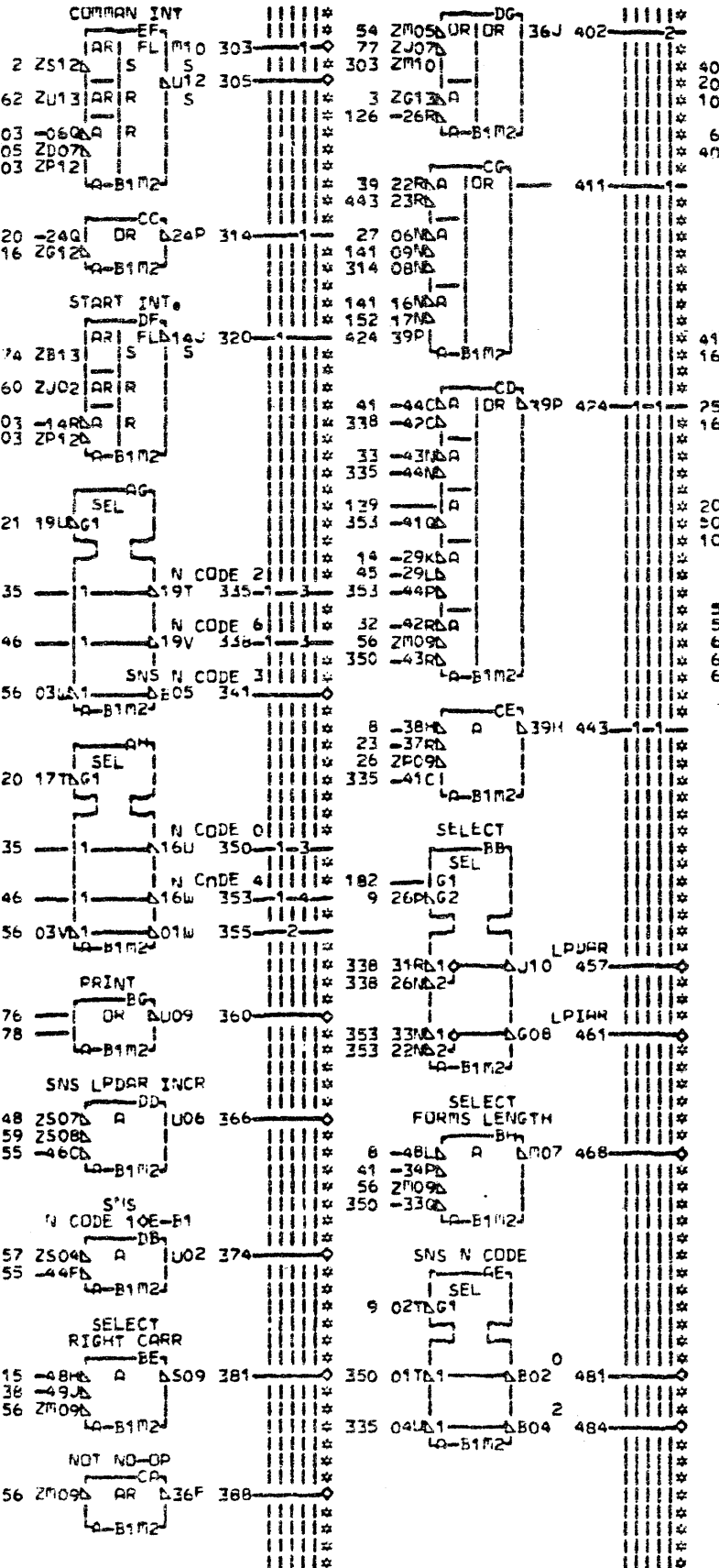
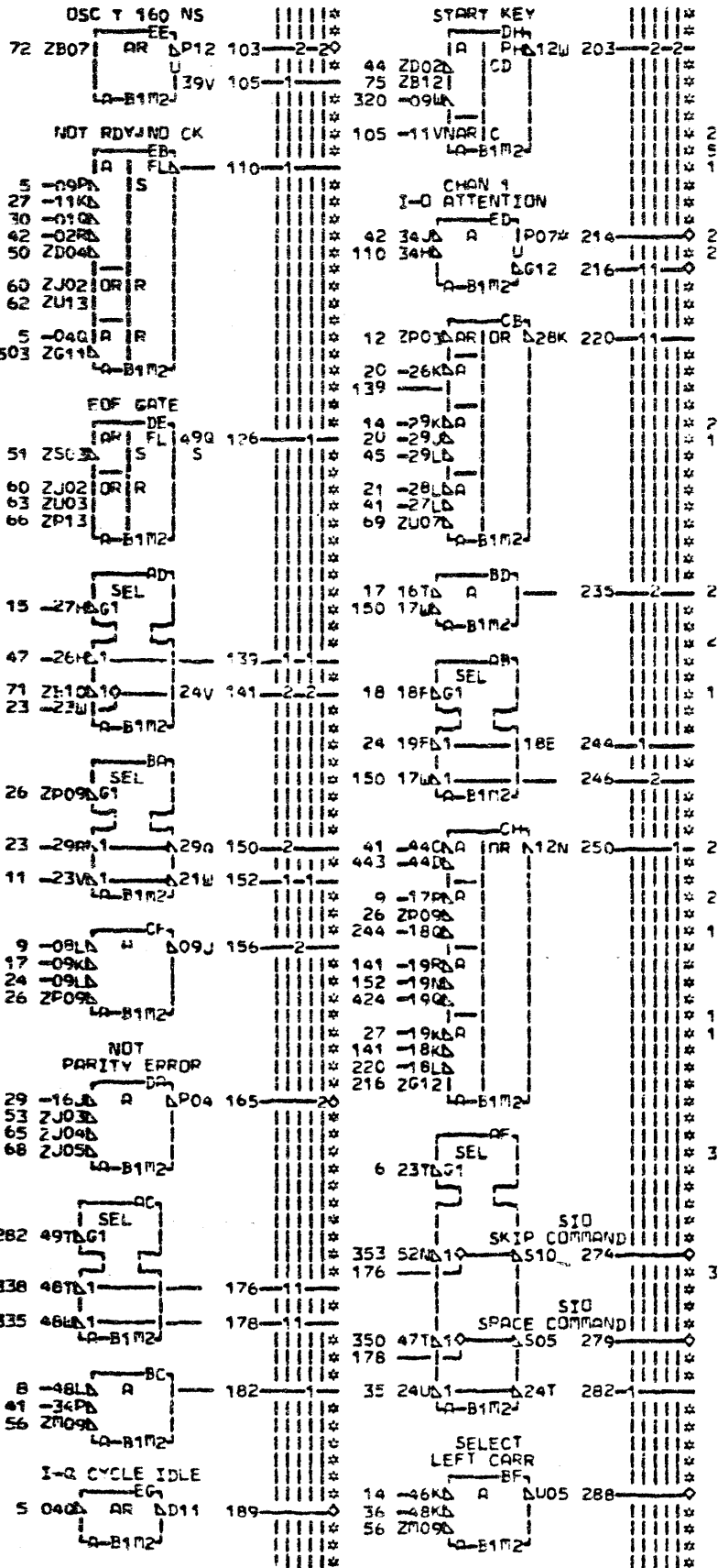
LOC. TYPE
 A-B1M2 2657

PAGE VER EC LEV
 FP301 000 818671
 FP302 000 818671
 FP303 000 818671

FP301
 FP303
 000

Q BYTE DECODE	
E.C. HISTORY	R. MACH. 5203-ATT
818712	
FRAME	01 FP301
IBM CORP. SDD	FP303
DATE LAST EC	
07-5-71 818671	
Pa. No. 7369374	000

- COMMON INTERLOCK -1.8 FP202BA6 2-1-1
 - END OF FORMS -1.8 FP202BG6 3-1-1
 - I-Q CYCLE FP301AB2 5-3-1
 - SID INSTR FP301AC2 6-1-1
 - LIO INSTR FP301AD2 8-1-2
 - SNS INSTR FP301AE2 9-1-1-2
 - TID APL INSTR FP301AF2 11-1-1
 + MST TIE-UP FP301AK4 12-1-1
 - NOT Q BIT 4 FP302AF2 14-2-1
 - Q BIT 4 FP302AF6 15-1-1
 - NOT Q BIT 5 FP302AG2 17-1-1
 - Q BIT 5 FP302AG6 18-1-1
 - NOT Q BIT 6 FP302AH2 20-2-1
 - Q BIT 6 FP302AH6 21-1-1
 - NOT Q BIT 7 FP302AJ2 23-2-1
 - Q BIT 7 FP302AJ6 24-1-1
 - PTR DA FP302AM6 26-2-1-1
 - SIDOPTR DA FP302AP6 27-1-1-1
 + I-Q CY PARITY ERROR FP302BF2 29-1-1
 - NOT READY FP302AD2 30-1-1
 - READY FP303AD6 32-1-1
 - PRINT BUFFER NOT BUSY FP303AG2 33-1-1
 - PTR READY-NOT BUSY FP403AH6 35-1-1
 - LEFT CARR RDY-NOT BUSY FP403AJ6 36-1-1
 - RIGHT CARR RDY-NOT BUSY FP403AK6 38-1-1
 - PRINTER BUSY FP403AL2 39-1-1
 - PRINTER NOT BUSY FP403AN6 41-1-2-2
 + PTR CHECK FP403BD2 42-1-1
 + IMM MANUAL KEY FP403BJ6 44-1-1
 - LEFT CARR NOT BUSY FP403BM6 45-1-1
 - RIGHT CARR NOT BUSY FP403BN6 47-1-1
 - CLOCK 1 FP403AR2 48-1-1
 - CLOCK 6 FP403AG2 50-1-1
 - START PRINTING-IO-ROCL6 FP403AA6 51-1-1
 + I-Q PARITY ERROR FP403AT2 53-1-1
 - CHECK ERROR -1.8 FP403AY2 54-1-1
 - NOT NO-OP FP403AU2 56-1-1-2-2
 - E-B1 CV FP404BM2 57-1-1-1
 - E-B2 CV FP404BN2 59-1-1-1
 + FOX FP502AU2 60-2-1-2
 + SYS RESO SYS CK RES FP502BP6 62-1-1-1
 + L LINE 1 FP623AR2 63-1-1-1
 + L CARR PARITY ERROR FP624BC6 65-1-1-1
 + R LINE 1 FP713AR2 66-1-1-1
 + R CARR PARITY ERROR FP714BC6 68-1-1-1
 + F.E. HOME SYNC FP911BF2 69-1-1-1
 - SINGLE CARR OR + DUAL CARR FP911EF6 71-1-1-1
 + OSCILLATOR WP010AH6 72-1-1-1
 - PRINTER START KEY -1.8 WP111AE4 74-1-1-1
 + PRINTER START KEY -0.9 WP111AF4 75-1-1-1
 - PRINTER STOP KEY -1.8 WP111AM4 77-1-1-1

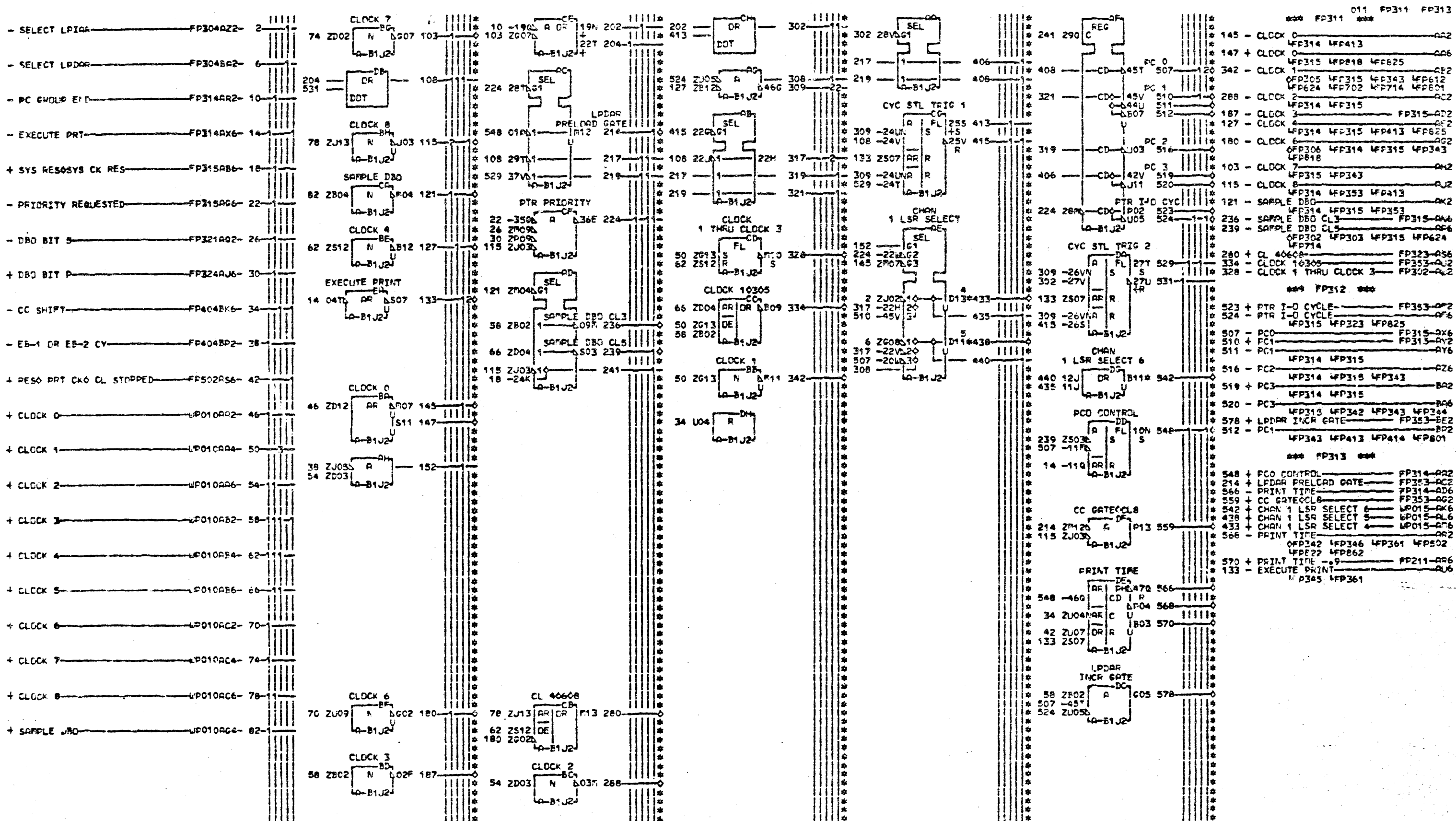


B.NOTE 1 CARRIAGE OPTIONS
 SINGLE FEED CARRIAGE
 CONNECT B1M2B10 TO B1E2J06
 DUAL FEED CARRIAGE
 CONNECT B1M2B10 TO B1M2P03
 FP304 NOTE 2 F.E. HOME SYNC
 CONNECT B1F2J13 TO B1M2U07
 FP306 C.SIM TO PM EC 818671

EDGE CONN.
 214 A-B1L6D04
 01A-B1ASB02
 520 A-B1N6A02
 01A-B1A5D09
 524 A-B1N6B02
 01A-B1A5D10

LOC. TYPE
 A-B1M2 2657
 PAGE VER EC LEV
 FP304 000 818671
 FP305 000 818671
 FP306 011 818671

Q BYTE DECODE
 READY CONTROLS
 E.C. HISTORY A MACH.5203-ATT
 818912
 FRAME 01 FP304
 IBM CORP.SDD FP306
 DATE LAST EC
 07-16-71 818671
 P.No. 7369376 011



A-SIF TO PN EC 818671
 B-SIF TO PN EC 818671
 C-SIF TO PN EC 818671

EDGE CONV.
 433 A-B1J6C04
 01A-B1A6B09
 436 A-B1J6D04
 01A-B1A6E10
 542 A-B1K6A04
 01P-B1A6E12

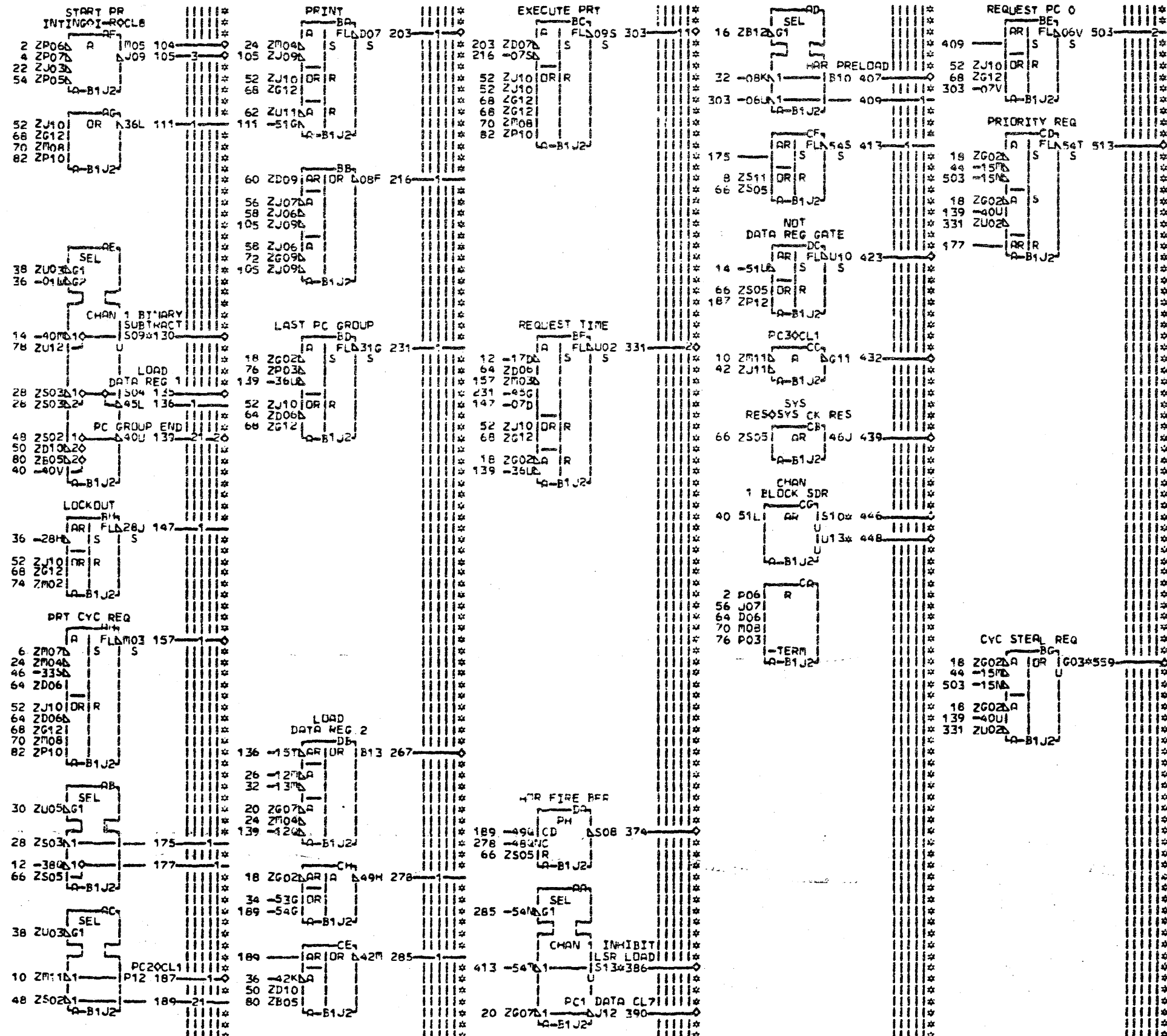
LDC TYPE
 A-B1J2 2640

PAGE VER EC LEV
 FP211 011 818671
 FP312 011 577022
 FP313 011 818671

CYCLE STEAL CONTROLS			
LSR SELECTION			
-E-C-HISTORY-B, PACH.5203-ATT			
818912	FRAME	01	FP311
818671	TRM CORP. SSB		FP313
DATE	LAST EC		
07-29-72	877022	P.A. 736877	011

FP311
 FP313
 011

- I-R CYCLE FP301AA2- 2-1-1
 - PRINT FP304AL6- 4-1-1
 - CLOCK 0 FP311AA2- 6-1-1
 + CLOCK 0 FP311AA6- 8-1-1
 - CLOCK 1 FP311AB2- 10-1-1
 - CLOCK 2 FP311AC2- 12-1-1
 - CLOCK 3 FP311AD2- 14-1-1
 - CLOCK 4 FP311AE2- 16-1-1
 - CLOCK 6 FP311AG2- 18-1-1
 - CLOCK 7 FP311AH2- 20-1-1
 - CLOCK 8 FP311AJ2- 22-1-1
 - SAMPLE DBD FP311AK2- 24-1-1
 - SAMPLE DBD CL3 FP311AN6- 26-1-1
 - SAMPLE DBD CL5 FP311AP6- 28-1-1
 - PTR I-O CYCLE FP312AM6- 30-1-1
 - PC0 FP312AX6- 32-1-1
 + PC1 FP312AY2- 34-1-1
 - PC1 FP312AY6- 36-1-1
 - PC2 FP312AZ6- 38-1-1
 + PC3 FP312BA2- 40-1-1
 - PC3 FP312BA6- 42-1-1
 + PC0 CONTROL FP313AA2- 44-1-1
 - PRINT TIME FP313AD6- 46-1-1
 - PRINT COMPARE FP323AN6- 48-1-1
 - MN DATA FP323AP6- 50-1-1
 - NNT MROINCR FAILURE CK FP341AL6- 52-1-1
 - NNT NO-OP FP343AU2- 54-1-1
 - A FP402H6- 56-1-1
 + TIE UP FP402AK4- 58-1-1
 + 1ST PRT START IN DWELL FP402AU4- 60-1-1
 - LAST M POS OF LINE FP402BH2- 62-1-1
 - CHAIN EM SS W-O HOME FP404BJ6- 64-1-1
 - SYS RESO SYS CK RES FPS02AQ6- 66-1-1
 + RESY0 PRT CHECK FPS02AQ6- 68-1-1
 + STUP PRINTING LCS FP801AT2- 70-1-1
 - INITIALIZE LPAR BYS 1020304 FP823AE2- 72-1-1
 + LOAD HAR FP823AU6- 74-1-1
 - LAST 12 PRT POSITIONS FP824AP2- 76-1-1
 + PTR SUB FP825AH2- 78-1-1
 - FORCE PC GROUP END FP825AJ2- 80-1-1
 + STUP PRINTING 46 FP861AY2- 82-1-1



*** FP314 ***
 011 FP314 FP315
 104 + START PRINTINGOI-ROCL8 LFP402 LFP502 LFP601
 105 - START PRINTINGOI-ROCL8 LFP231 LFP306
 157 - PRT CYC REQ FP413-AK6
 203 - PRINT LATCH LFP303 LFP341 LFP501 LFP601
 139 - PC GROUP END FP312-AR2
 303 - EXECUTE PRT FP313-AX6
 331 - REQUEST TIME FP344-BC6
 559 + CHAN 1 CYC STEAL REQ 5- WPO15-BG6
 *** FP315 ***
 439 + SYS RESOSYS CK RES FP312-AB6
 432 - PC30CL1 FP351-AD6
 187 + PC20CL1 FP353-AE2
 513 - PRIORITY REQUESTED FP312-AG6
 135 + LOAD DATA REG 1 FP323-AK2
 130 + CHAN 1 BINARY SUBTRACT- WPO15-AL6
 446 + CHAN 1 BLOCK SDR WPO15-AP6
 448 + CHAN 1 STORE DATA WPO15-AQ6
 390 - PC1 DATA CL7 FPS02-AR6
 386 + CHAN 1 INHIBIT LSR LOAD WPO15-AS2
 374 - HAMMER FIRE BFR FP811-AW6
 267 + LOAD DATA REG 2 LFP322 LFP323
 407 + HAR PRELOAD LFP361 LFP823
 423 - NOT DATA REG GATE FP353-AZ6

A-SIM TO PN
 B-SIM TO PN
 EC 818671
 EC 818671

EDGE CONV.
 130 A-B1H6T04
 01A-B1A4B05
 386 A-B1H6E04
 01A-B1A4B06
 446 A-B1H6C04
 01A-B1A4B04
 448 A-B1H6A04
 01A-B1A4B02
 559 A-B1H6B02

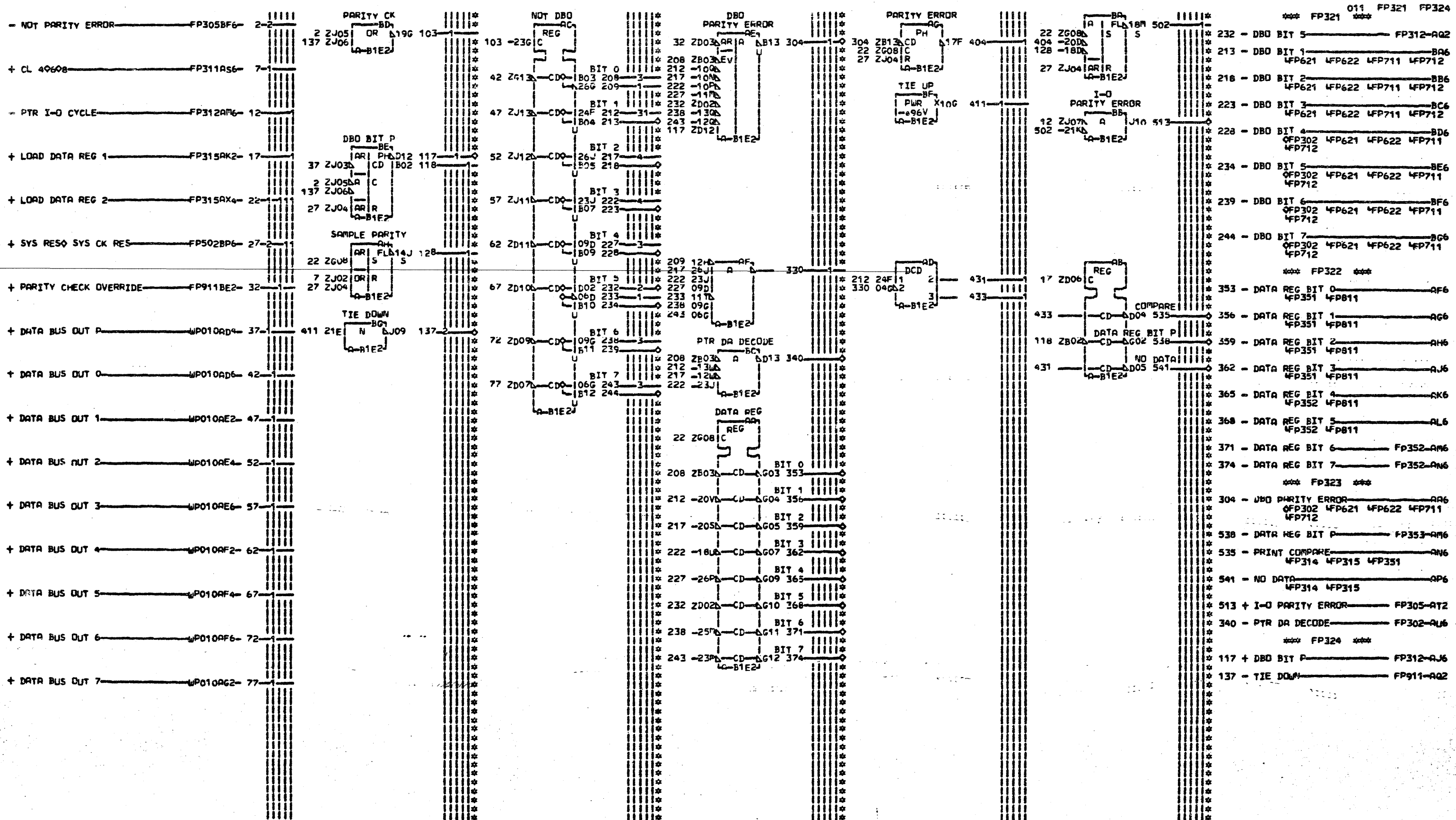
01A-B1A5D05

LOC. TYPE
 A-B1J2 2640

PAGE VER EC LEV
 FP314 011 818671
 FP315 011 818671

FP314
 FP315
 011

CYCLE STEAL CONTROLS	
LSR SELECTION	
E.C. HISTORY	R. MACH. S203-ATT
818912	
DATE	LAST EC
07-16-71	818671
FRAME	01
FP314	
IBM CORP. SDD	FP315
P.N. 7369378	011



B₅SIM TO PN
D₅SIM TO PN
EC 818671
EC 818671

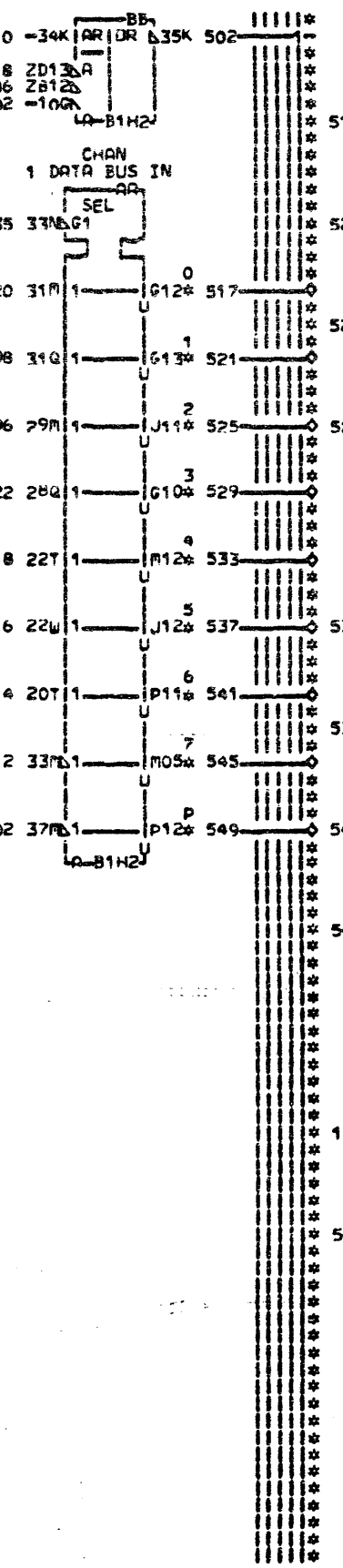
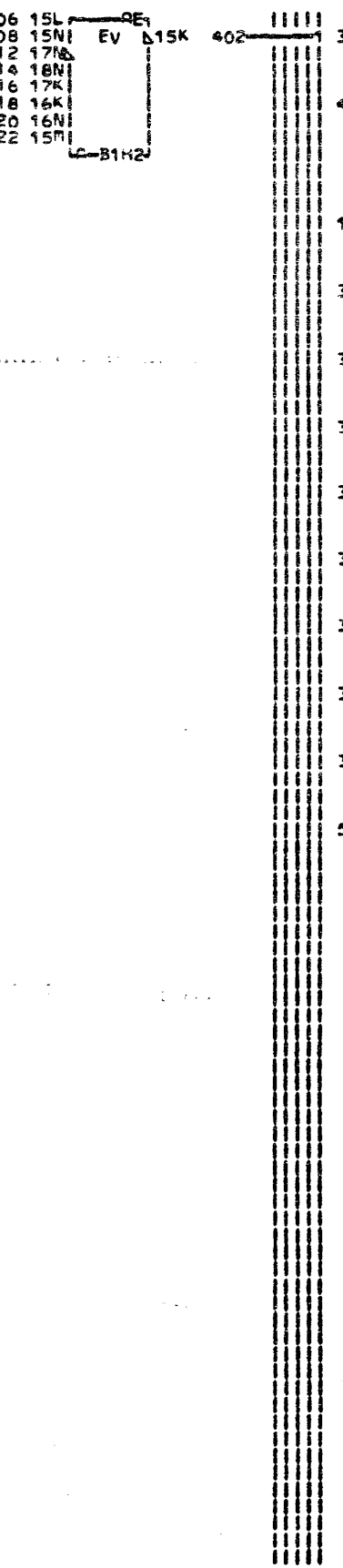
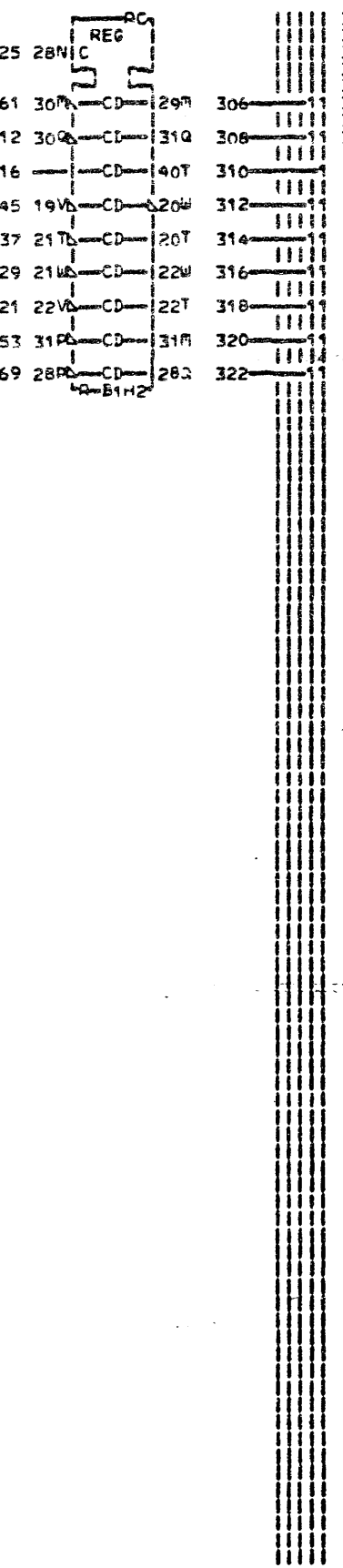
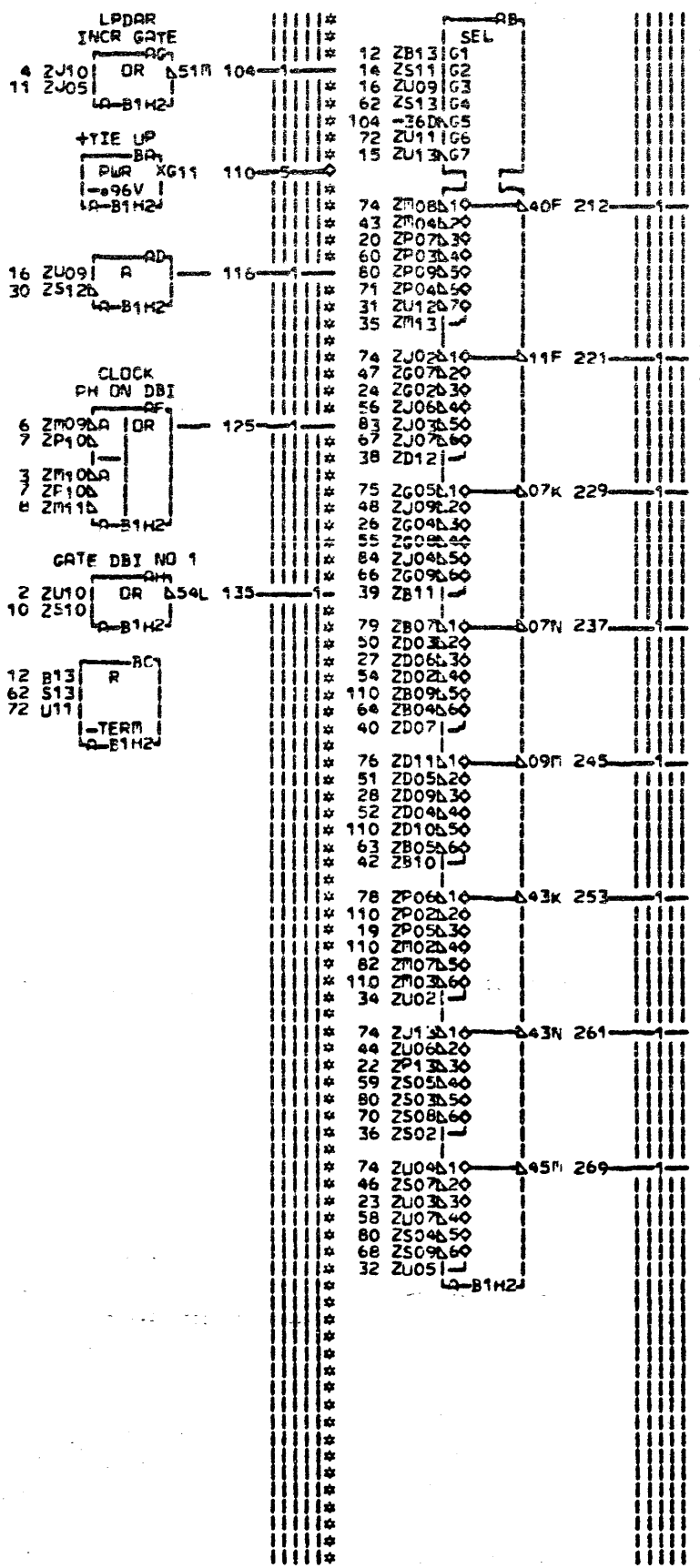
LOC. TYPE
A-B1E2 2652

PAGE VER EC LEV
FP321 000 818671
FP322 011 818671
FP323 000 818671
FP324 011 818671

FP321
FP324
011

DATA REGISTER	
DBO	—E.C.—HISTORY—A PACH 5203—ATT
818912	818912
DATE	LAST EC
07-16-71	818671
FRAME 01	FP321
IBM CORP. SDD	FP324
P.No. 7369379	011

+ PTR E-B SNS CY FP302AX2 2-1
 + SNS N CODE 10E-B1 FP305B62 3-1
 + SNS LPDAR INCR FP305B2 4-1
 - CLOCK 8 FP311AJ2 6-1
 - SAMPLE DBD FP311AK2 7-2
 - CLOCK 10305 FP311AU2 8-1
 + PTR I-D CYCLE FP312AM2 10-1
 + LPDAR INCR GATE FP312BE2 11-1
 + LPDAR PRELOAD GATE FP313AC2 12-1
 + CC GATEOCLB FP313AG2 14-1
 + FC30CL1 FP315AD6 15-1
 + PC20CL1 FP315AE2 16-1
 - NOT DATA REG GATE FP315AZ6 18-1
 - DATA REG BIT 0 FP322AF6 19-1
 - DATA REG BIT 1 FP322AG6 20-1
 - DATA REG BIT 2 FP322AH6 22-1
 - DATA REG BIT 3 FP322AJ6 23-1
 - DATA REG BIT 4 FP322AK6 24-1
 - DATA REG BIT 5 FP322AL6 26-1
 - DATA REG BIT 6 FP322AM6 27-1
 - DATA REG BIT 7 FP322AN6 28-1
 - DATA REG BIT P FP323AM6 30-1
 - PRINT COMPARE FP323AN6 31-1
 + DBI SNS BIT 3 FP345AG2 32-1
 + DBI SNS BIT 0 FP345AH4 34-1
 + DBI SNS BIT 1 FP345AJ4 35-1
 + DBI SNS BIT 2 FP345AK4 36-1
 + DBI SNS BIT 4 FP346AJ4 38-1
 + DBI SNS BIT 5 FP346AK4 39-1
 + DBI SNS BIT 6 FP346AL4 40-1
 + DBI SNS BIT 7 FP346AU4 42-1
 - CC SHIFT BIT 1 FP412AD4 43-1
 - CC SHIFT BIT 2 FP412AM6 44-1
 - CC SHIFT BIT 3 FP412AN6 46-1
 - CC SHIFT BIT 4 FP412AR6 47-1
 - CC SHIFT BIT 5 FP412AV6 48-1
 - CC SHIFT BIT 6 FP412AZ6 50-1
 - CC SHIFT BIT 7 FP412BC6 51-1
 - L CARR LINE BIT 7 FP623AB6 52-1
 - L CARR LINE BIT 6 FP623AE2 54-1
 - L CARR LINE BIT 5 FP623AH2 55-1
 - L CARR LINE BIT 4 FP623AJ2 56-1
 - L CARR LINE BIT 3 FP623AN2 58-1
 - L CARR LINE BIT 2 FP623AP2 59-1
 - L CARR LINE BIT 1 FP623AS2 60-1
 + N CODE 00 E-B20 CL 1 FP624BB6 62-1
 - R CARR LINE BIT 7 FP713AB6 63-1
 - R CARR LINE BIT 6 FP713AE2 64-1
 - R CARR LINE BIT 5 FP713AH2 66-1
 - R CARR LINE BIT 4 FP713AJ2 67-1
 - R CARR LINE BIT 3 FP713AN2 68-1
 - R CARR LINE BIT 2 FP713AP2 70-1
 - R CARR LINE BIT 1 FP713AS2 71-1
 + N CODE 0 E-B1 CL 1 FP714BB6 72-1
 - INITIALIZE LPDAR BITS 1020304 FP823AE2 74-1
 - INITIALIZE LPDAR BIT 5 FP823AL2 75-1
 - INITIALIZE LPDAR BIT 7 FP823AN2 76-1
 - INITIALIZE LPDAR BIT 0 FP823AN2 78-1
 - INITIALIZE LPDAR BIT 6 FP823AP2 79-1
 - LPDAR INCR BITS 10203 FP824AM2 80-3
 - LPDAR INCR BIT 0 FP824AN2 82-1
 - LPDAR INCR BIT 4 FP824AP6 83-1
 - LPDAR INCR BIT 5 FP824AV2 84-1
 UNUSED FP911B66 86-1



*** FP351 ***
 517 + CHAN 1 DATA BUS IN 0 WP015-AV2
 521 + CHAN 1 DATA BUS IN 1 WP015-AX2
 525 + CHAN 1 DATA BUS IN 2 WP015-AY2
 529 + CHAN 1 DATA BUS IN 3 WP015-BA2
 *** FP352 ***
 533 + CHAN 1 DATA BUS IN 4 WP015-AU2
 537 + CHAN 1 DATA BUS IN 5 WP015-AW2
 541 + CHAN 1 DATA BUS IN 6 WP015-AX2
 545 + CHAN 1 DATA BUS IN 7 WP015-AZ2
 *** FP353 ***
 110 + TIE UP FP911-AU4
 549 + CHAN 1 DATA BUS IN P WP015-AY2

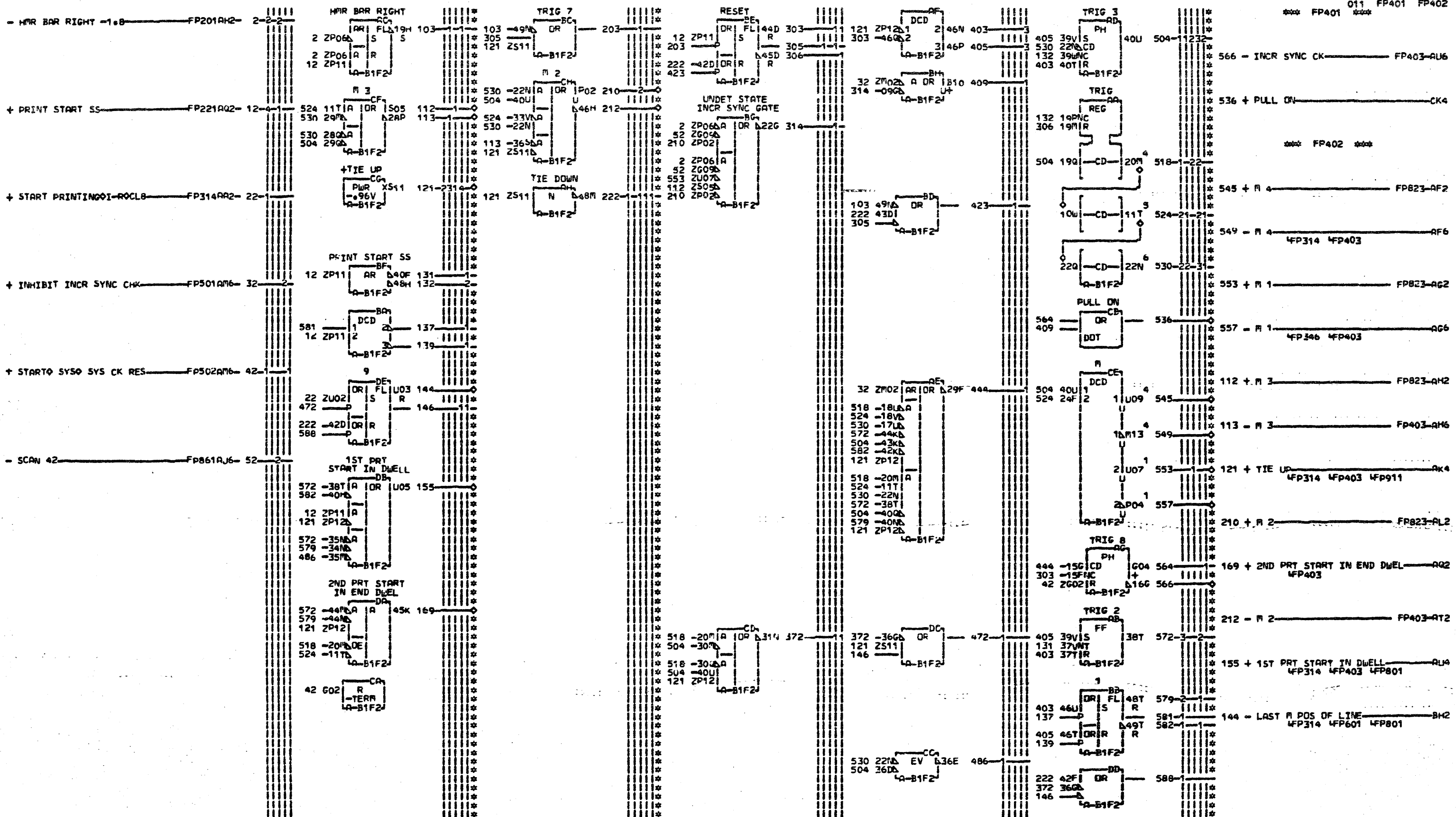
A.SIM TO PN EC 818671
 B.SIM TO PN EC 818671
 FP351
 FP353
 011

EDGE CONN. 01A-B1A4D09
 517 A-B1H6E02 537 A-B1J6D02
 01A-B1A4D03 01A-B1A4D10
 521 A-B1H6D02 541 A-B1J6E02
 01A-B1A4D05 01A-B1A4D11
 525 A-B1H6E02 545 A-B1K6B02
 01A-B1A4D06 01A-B1A4D13
 529 A-B1J6A02 549 A-B1H6A02
 01A-B1A4D07 01A-B1A4D02
 533 A-B1J6C02

LOC. TYPE
 A-B1H2 2646

PAGE VER EC LEV
 FP351 011 818671
 FP352 011 818671
 FP353 000 818671

DBI ASSEMBLER
 E.C. HISTORY R. MACH. 5203-ATT
 818912 FRAME 01 FP351
 IBM CORP. SDD FP353
 DATE LAST EC
 07-16-71 818671 IP.No 7369384 011



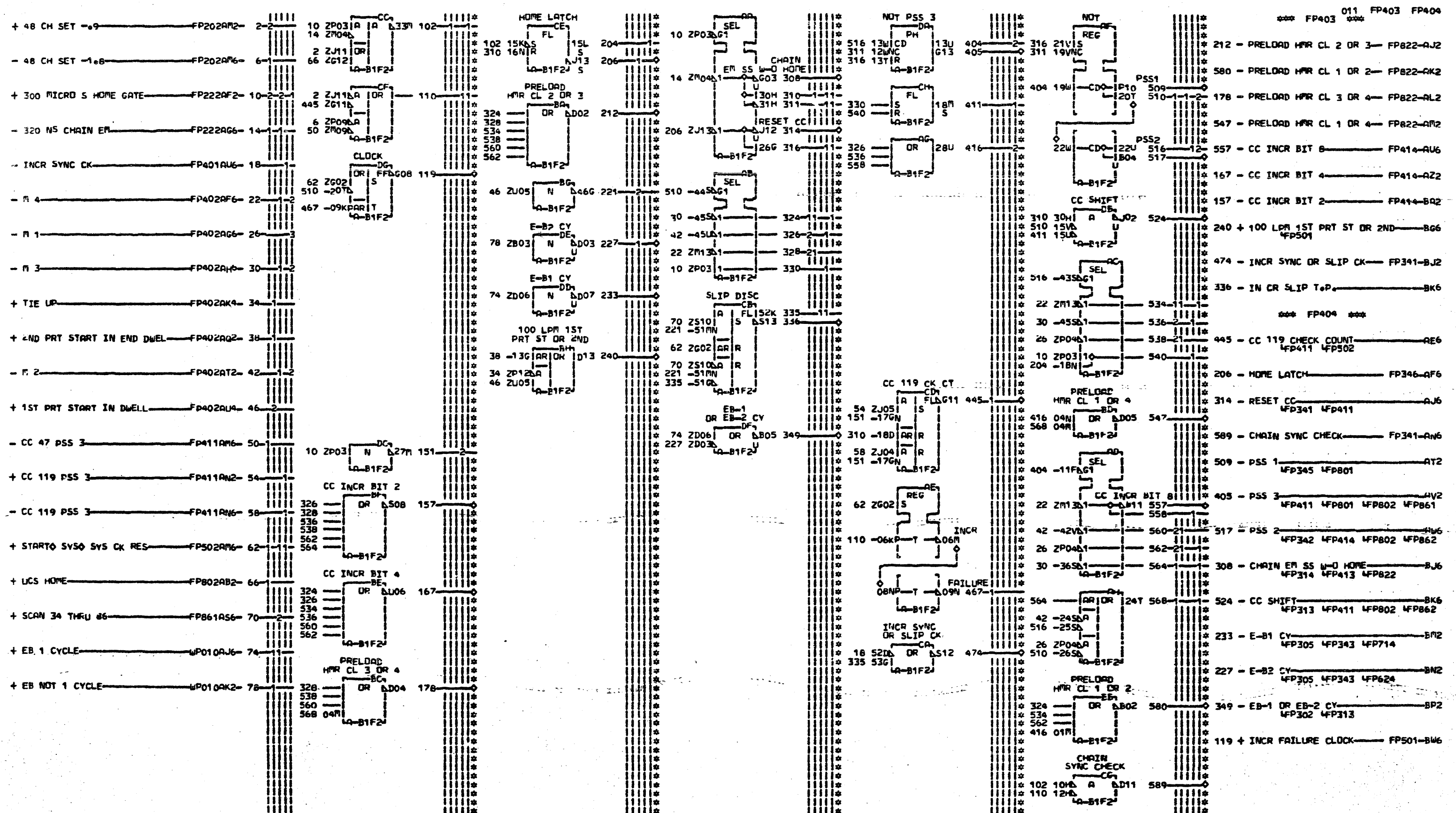
- *** FP401 ***
- 566 - INCR SYNC CK ----- FP403-AU6
- 536 + PULL ON ----- CK4
- *** FP402 ***
- 545 + M 4 ----- FP823-AF2
- 549 - M 4 ----- 4FP314 4FP403 AF6
- 553 + M 1 ----- FP823-AG2
- 557 - M 1 ----- 4FP346 4FP403 AG6
- 112 + M 3 ----- FP823-AH2
- 113 - M 3 ----- FP403-AH6
- 121 + TIE UP ----- 4FP314 4FP403 4FP911 AK4
- 210 + M 2 ----- FP823-AL2
- 169 + 2ND PRT START IN END DWELL ----- 4FP403 AQ2
- 212 - M 2 ----- FP403-AT2
- 155 + 1ST PRT START IN DWELL ----- 4FP314 4FP403 4FP801 AU4
- 144 - LAST M POS OF LINE ----- 4FP314 4FP601 4FP801 BK2

NOTE 1 SPEED OPTIONS
 100 LPM
 CONNECT B1F2P12 TO B1E5D12
 200 LPM
 CONNECT B1F2P12 TO B1F2511
 FP401 SIM TO PN EC 818671
 B SIM TO PN EC 818671
 FP402

LOC. TYPE
 A-B1F2 2637

PAGE VER EC LEV
 FP401 011 818671
 FP402 011 818671

MECHANICAL TIMING			
M POS COUNTER AND DECODE			
E-C-HISTORY-MACH-5203-ATT			
818912			
FRAME	01	FP401	
IBM CORP.	SDD	FP402	
DATE	LAST EC		
07-16-71	818671		
P.No	7369386	011	



A-SIM TO PN
B-SIM TO PN

EC 818671
EC 818671

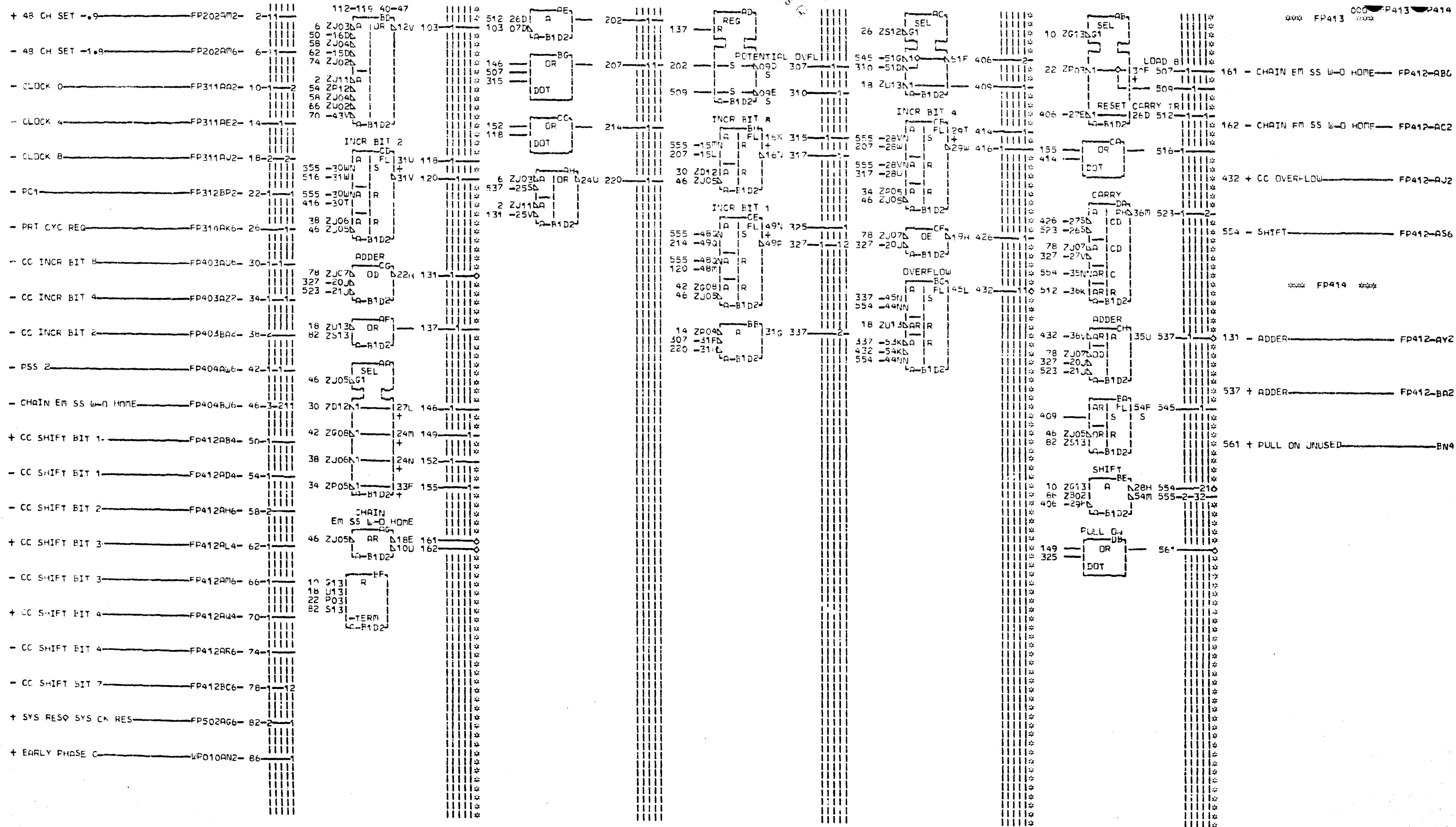
FP403
FP404
011

LOC. TYPE
A-B1F2 2637

PAGE VER EC LEV
FP403 011 818671
FP404 011 818671

MECHANICAL TIRING
PSS COUNTER AND DECODE
E-C-HISTORY RACH, 5203-ATT
818912

FRAME 01 FP403
IBN CORP. SDD FP404
DATE LAST EC
07-16-71 818671 P.No. 7369387 011

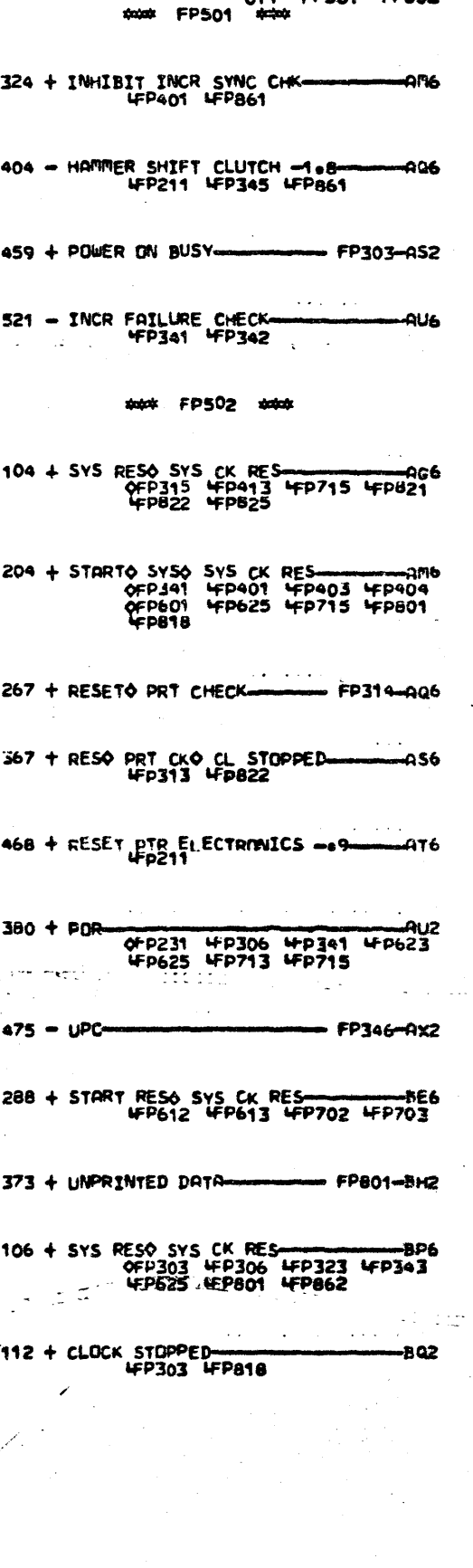
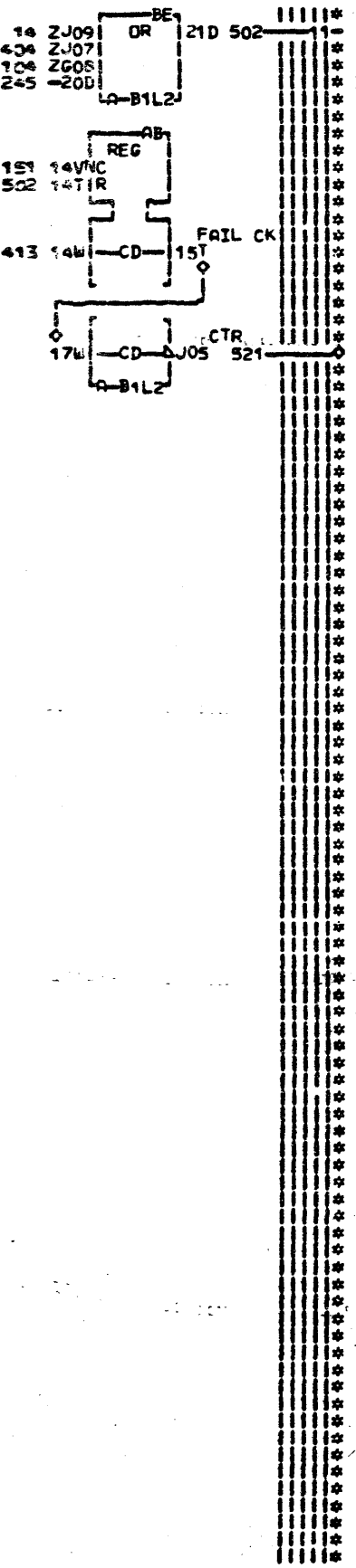
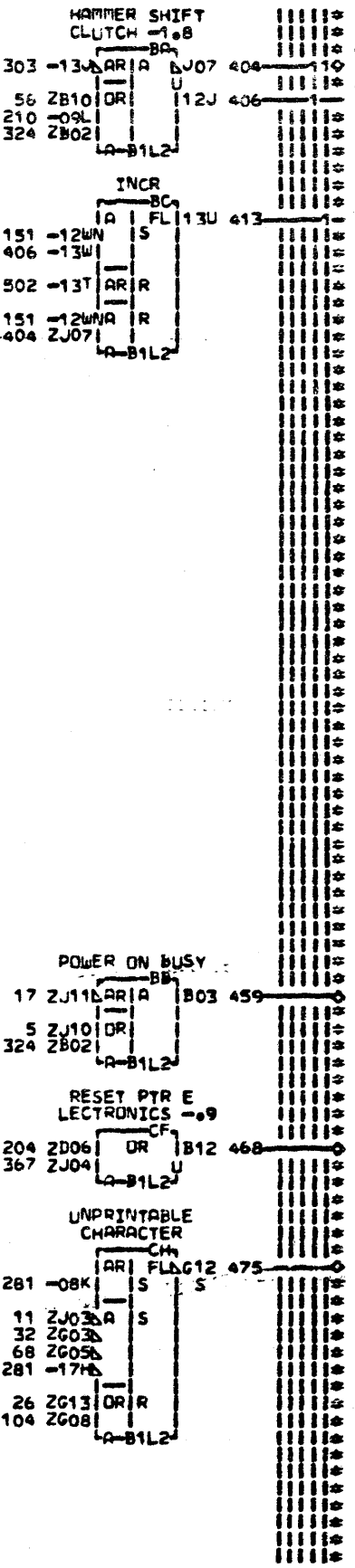
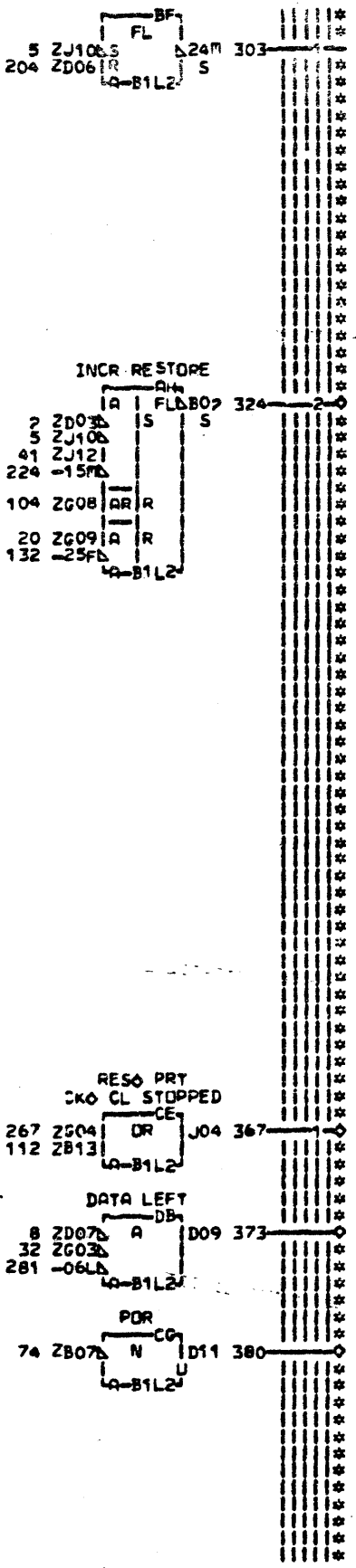
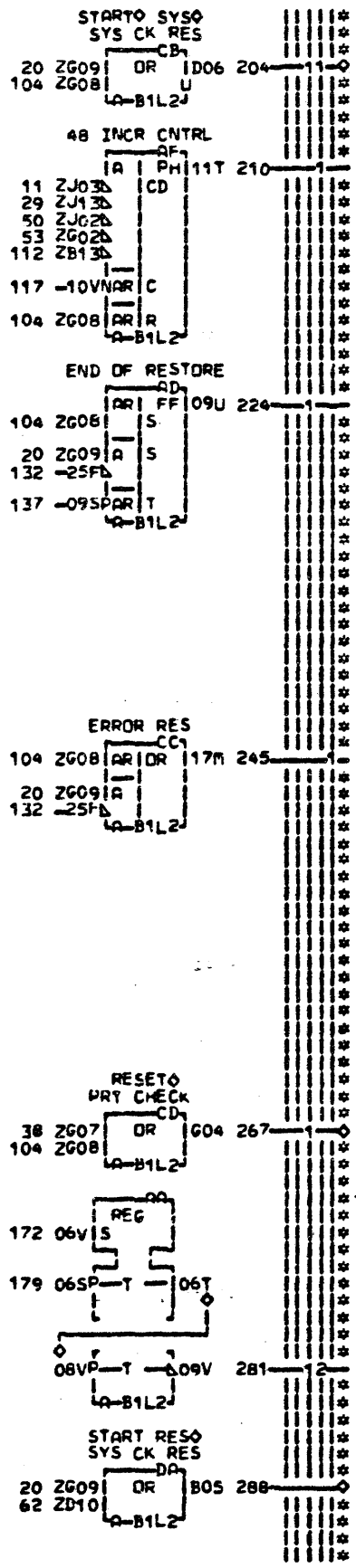
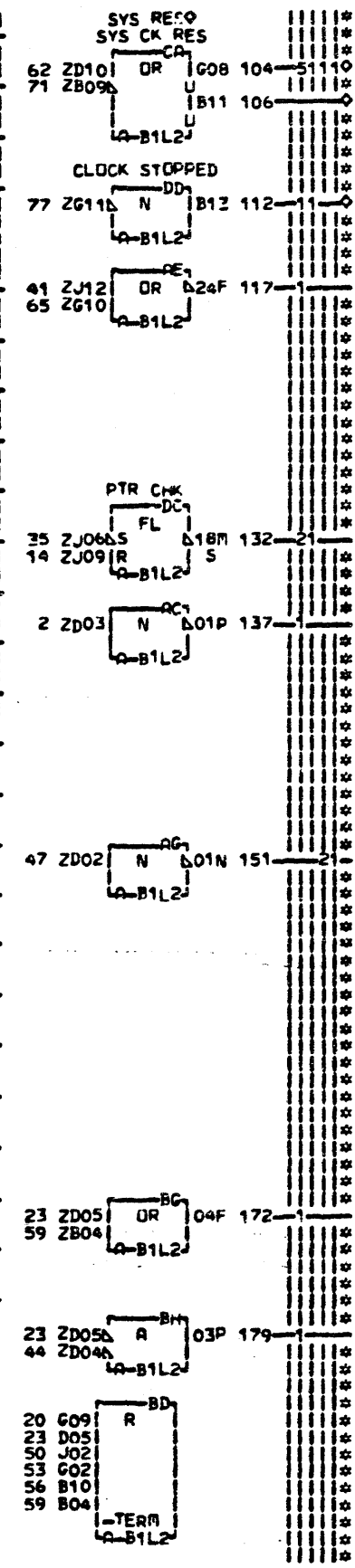
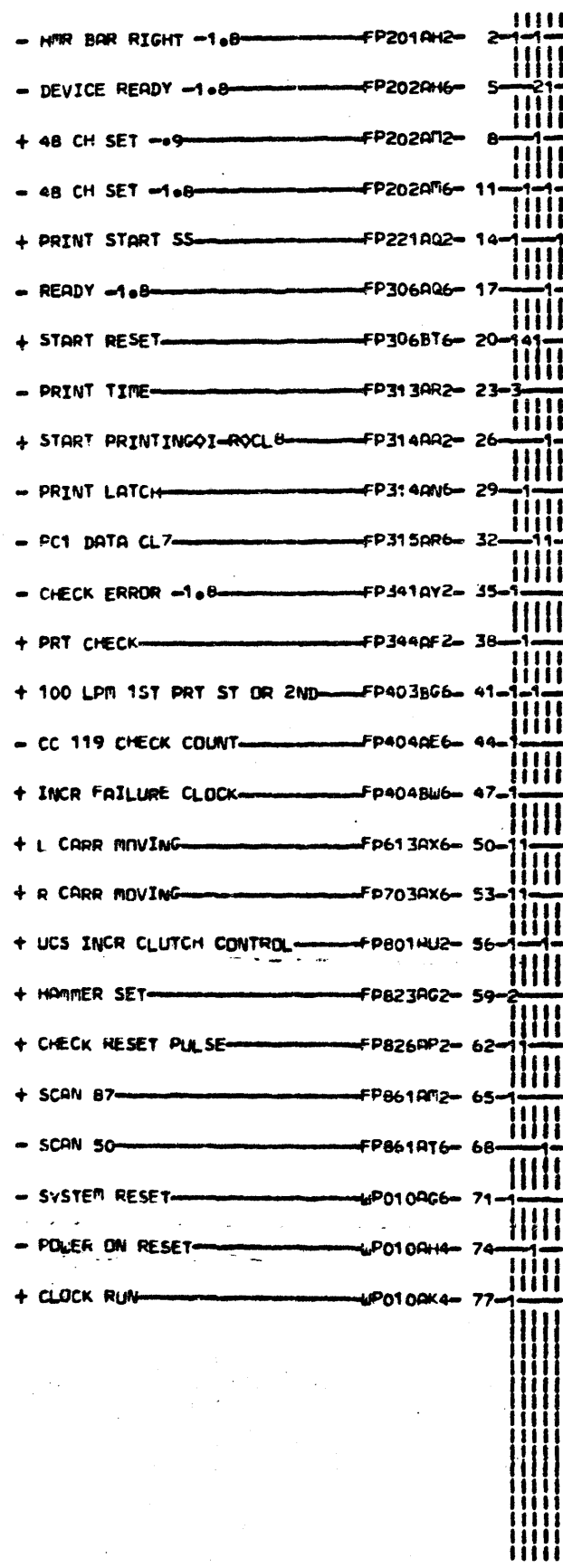


FP413
 FP414
 000

LOC. TYPE
 A-B1D2 2645

PAGE VER EC LEV
 FP413 000 818671
 FP414 000 818671

CHAIN CHARACTER COUNTER			
E.C. HISTORY	R	MACH. 5203-ATT	
818912			
FRAME	01	FP413	
DATE	LAST EC	IBM CORP. SDD	FP414
07-16-71	818671	P.N. 2589179	000



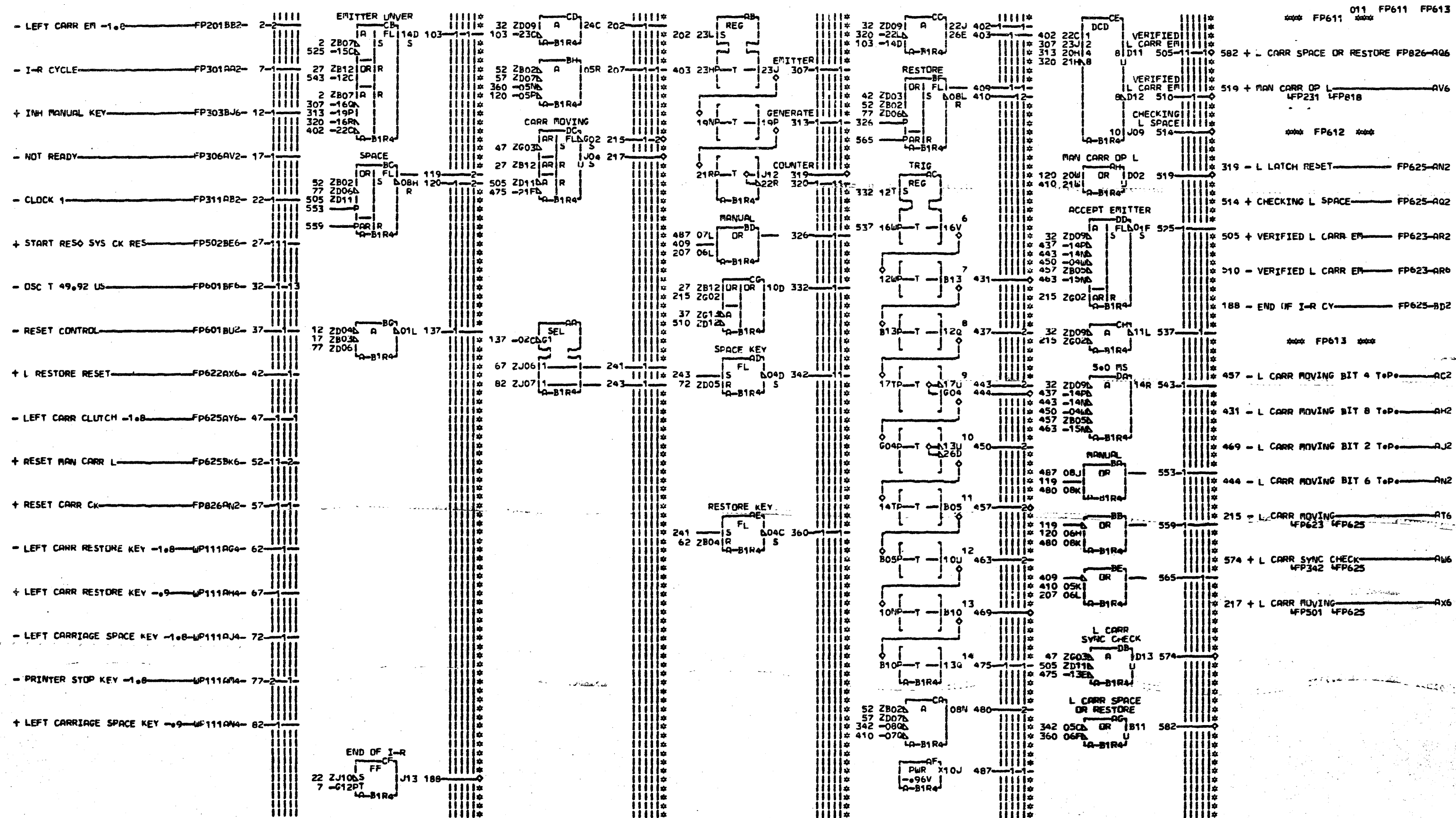
A-SIM TO P1 EC 818671
 B-SIM TO P11 EC 818671

LOC. TYPE
 A-B1L2 2638

PAGE VER EC LEV
 FP501 011 818671
 FP502 011 818671

FP501
 FP502
 011

INCREMENT CLUTCH CONTROL		RESET GENERATION	
E-C-HISTORY		MACH. 5203-ATT	
818912		FRAME	01 FP501
DATE LAST EC		IBR CORP. SDD	FP502
07-16-71 818671		P.No. 7369388	011



- *** FP611 ***
- 582 + L CARR SPACE OR RESTORE FP826-AQ6
- 519 + MAN CARR OP L LFP231 LFP818 AV6
- *** FP612 ***
- 319 - L LATCH RESET FP625-AN2
- 514 + CHECKING L SPACE FP625-AQ2
- 505 + VERIFIED L CARR EM FP623-AR2
- 510 - VERIFIED L CARR EM FP623-AR6
- 188 - END OF I-R CY FP625-BD2
- *** FP613 ***
- 457 - L CARR MOVING BIT 4 To P AC2
- 431 - L CARR MOVING BIT 8 To P AH2
- 469 - L CARR MOVING BIT 2 To P AJ2
- 444 - L CARR MOVING BIT 6 To P AN2
- 215 + L CARR MOVING LFP623 LFP625 AT6
- 574 + L CARR SYNC CHECK LFP342 LFP625 AW6
- 217 + L CARR MOVING LFP501 LFP625 AX6

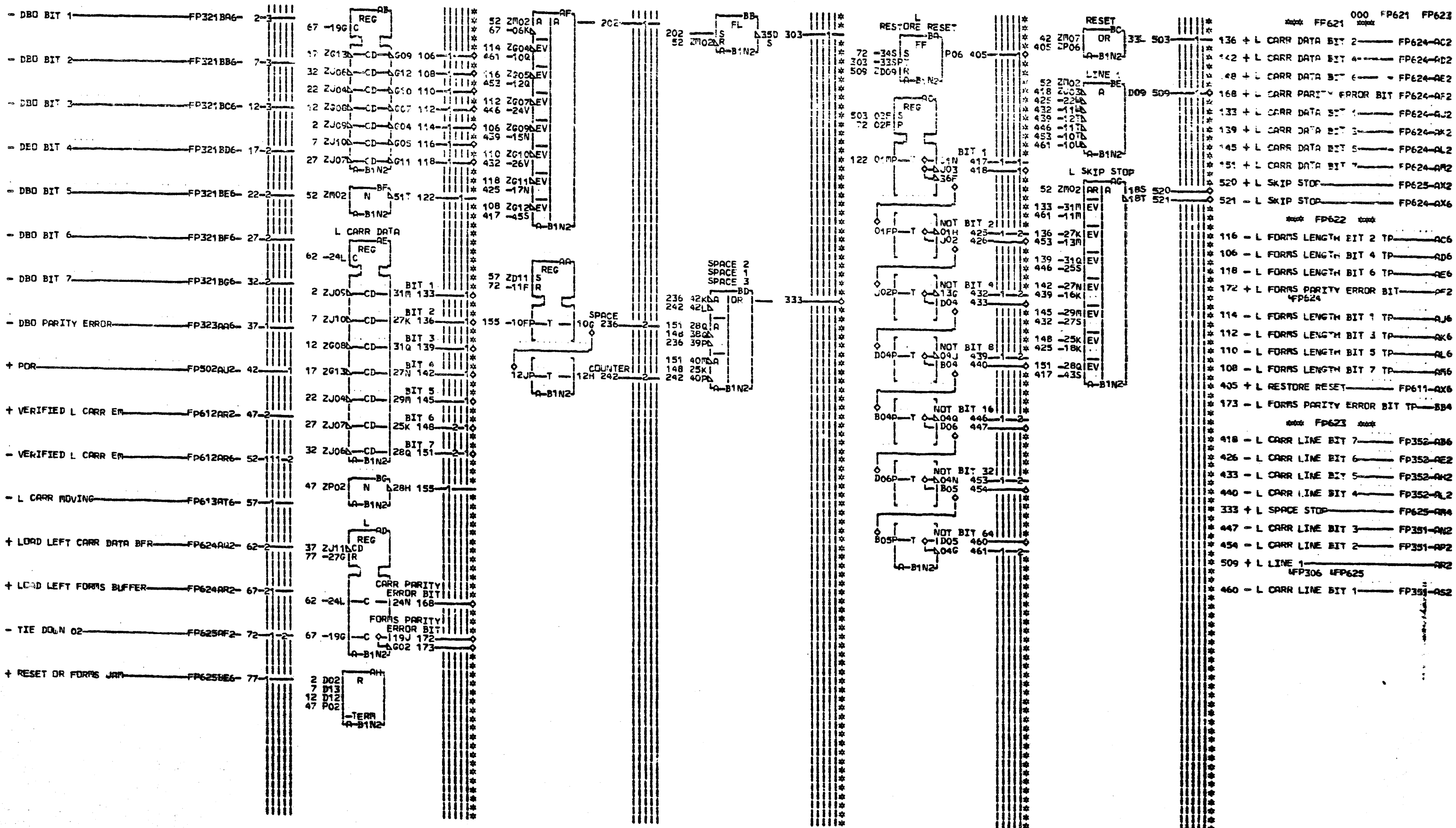
A₅SIA TO PN EC 818671

LOC. TYPE A-B1R4 2641

PAGE VER EC LEV
 FP611 011 818671
 FP612 000 818671
 FP613 000 818671

FP611
 FP613
 011

LEFT CARRIAGE EMITTER AND MANUAL OPERATION		
E.C. HISTORY - RACH. 5203-ATT 818912		
FRAME	01	FP611
IBM CORP. SDD		FP613
DATE	LAST EC	
07-16-71	818671	IP. No. 7369390 011

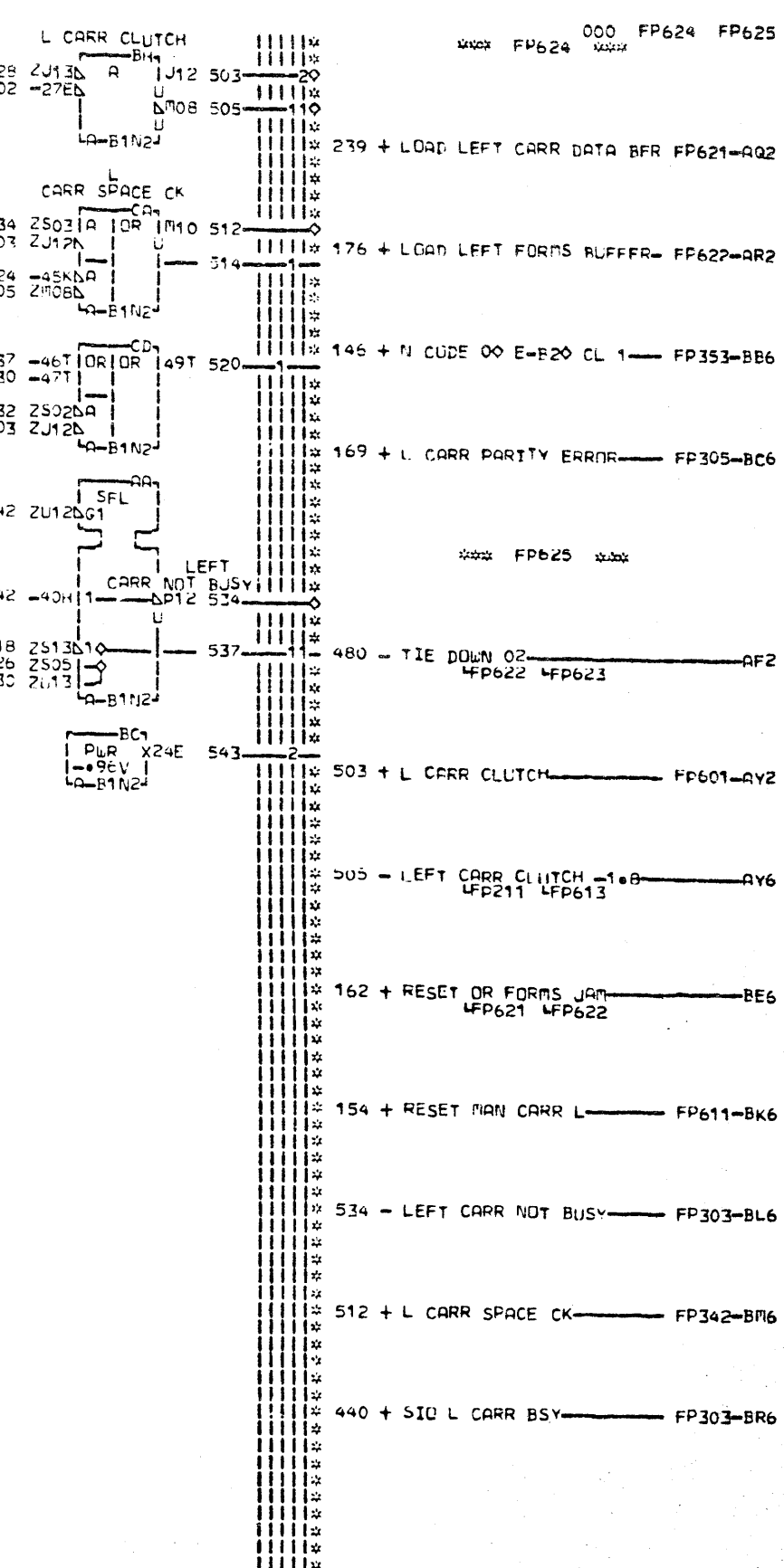
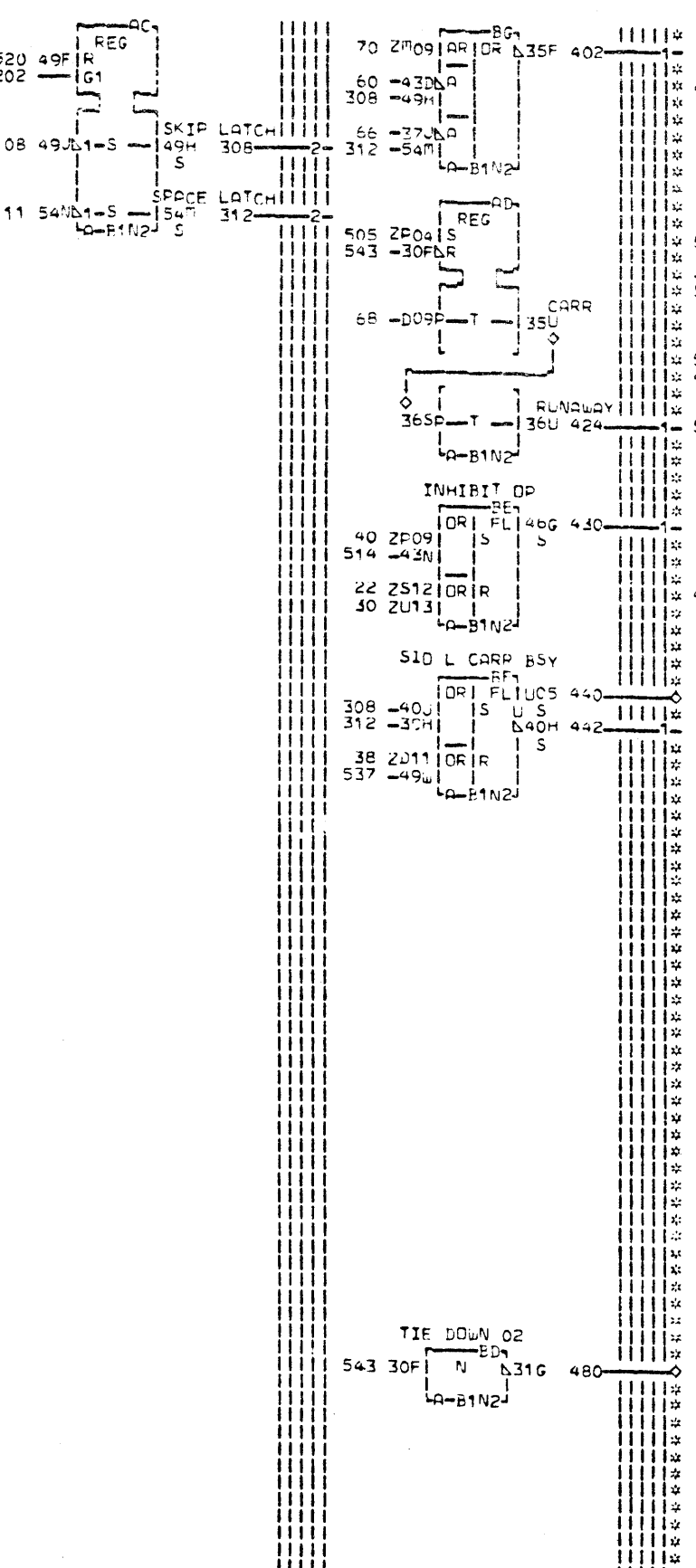
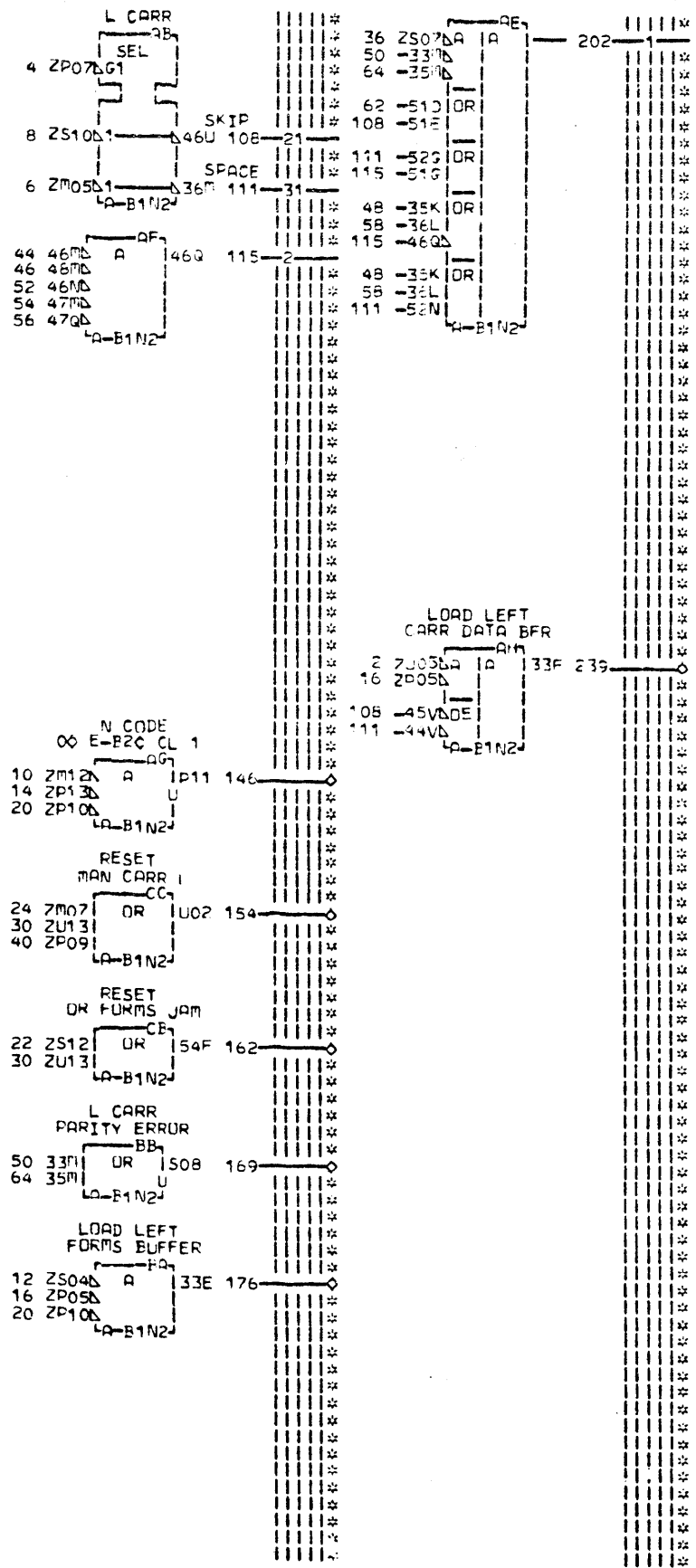
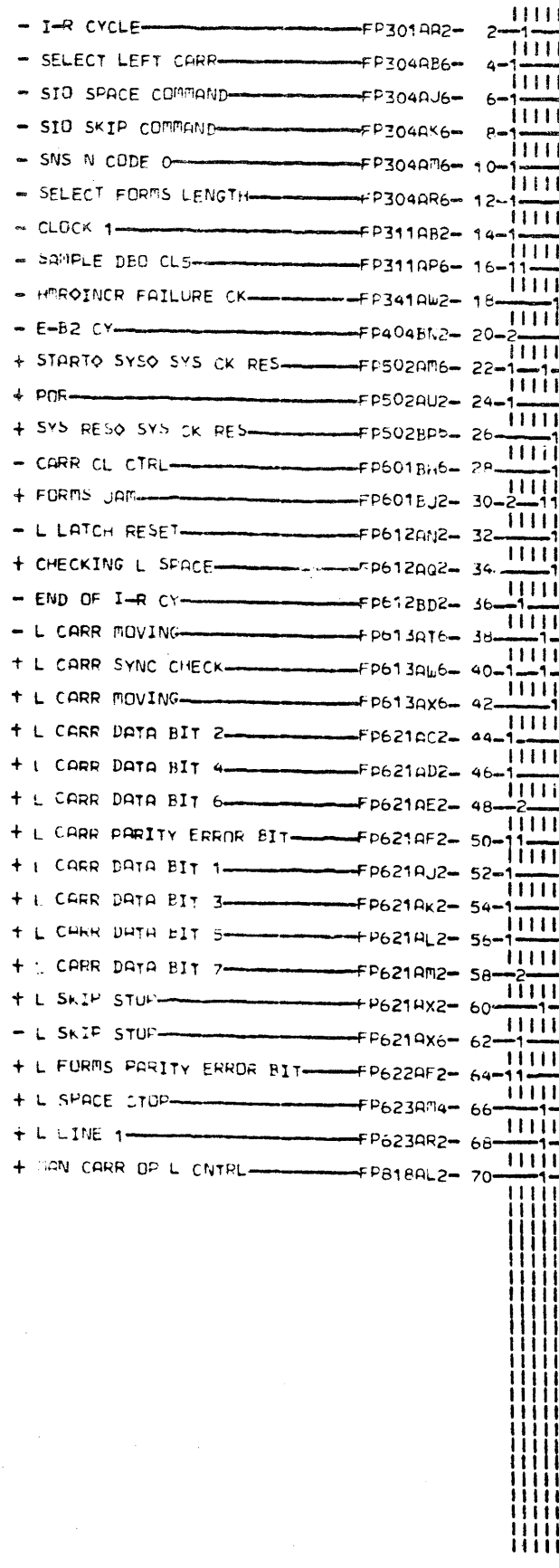


FP621
FP623
300

LOC. TYPE
A-B1N2 2642

PAGE VER EC LEV
FP621 000 818571
FP622 000 818571
FP623 000 818571

LEFT CARRIAGE CONTROLS			
E.C. HISTORY	A-MACH-5203-ATT	818912	
DATE	LAST EC	07-16-71	818571
FRAME	01	FP621	
IBN CORP. SDD		FP623	
IP.No	2589183		000

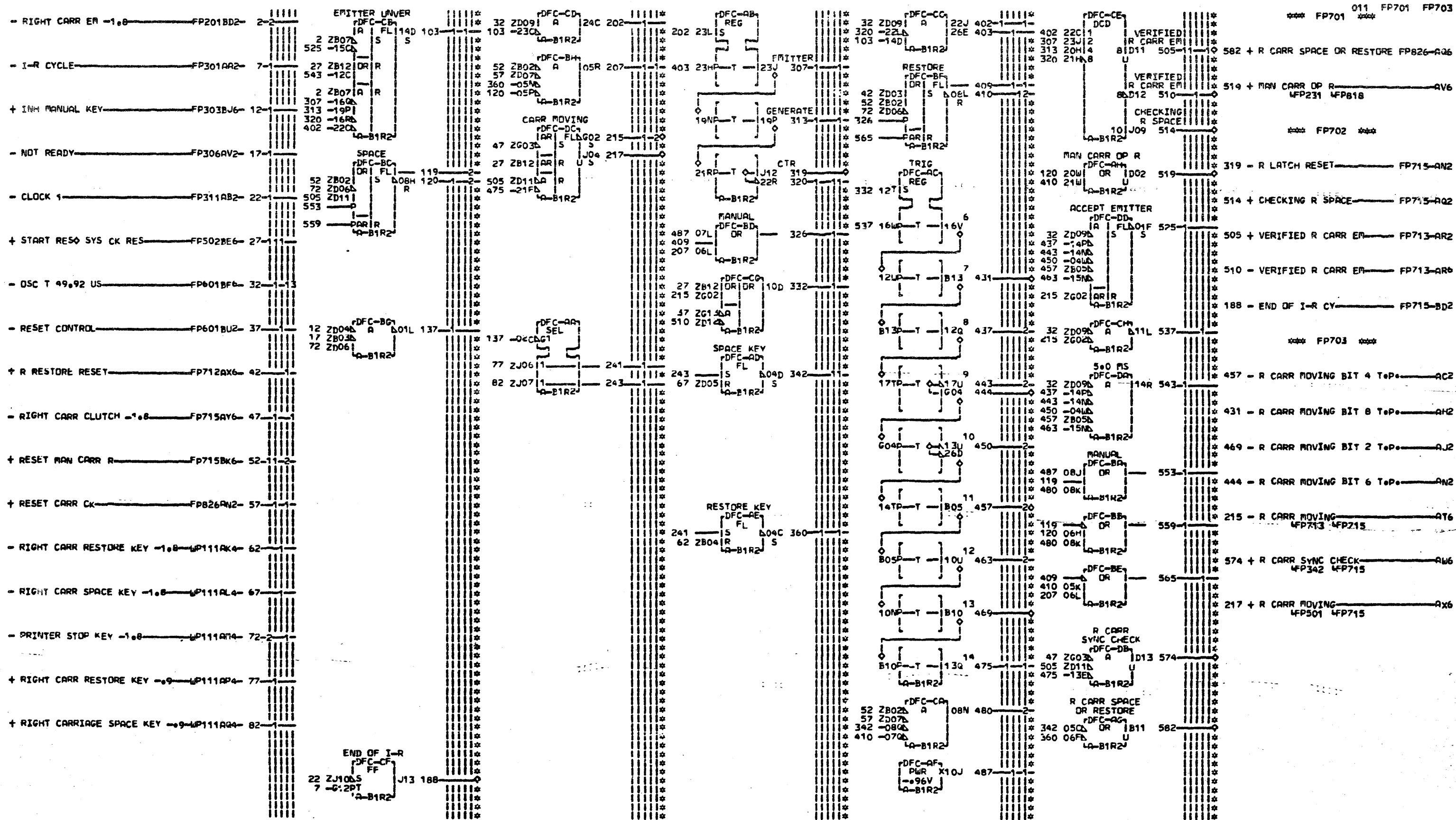


FP624
FP625
C30

LCC. TYPE
A-B1N2 2642

PAGE VER EC LEV
FP624 000 818671
FP625 000 818671

LEFT CARRIAGE CONTROLS			
E.C. HISTORY	R. MACH.	5203-ATT	B18912
DATE	LAST EC	IBM CORP. SDD	FP625
07-16-71	818671	P.N.	2589184 000



NOTE FEATURE CARD FOR DUAL FEED CARRIAGE ONLY.

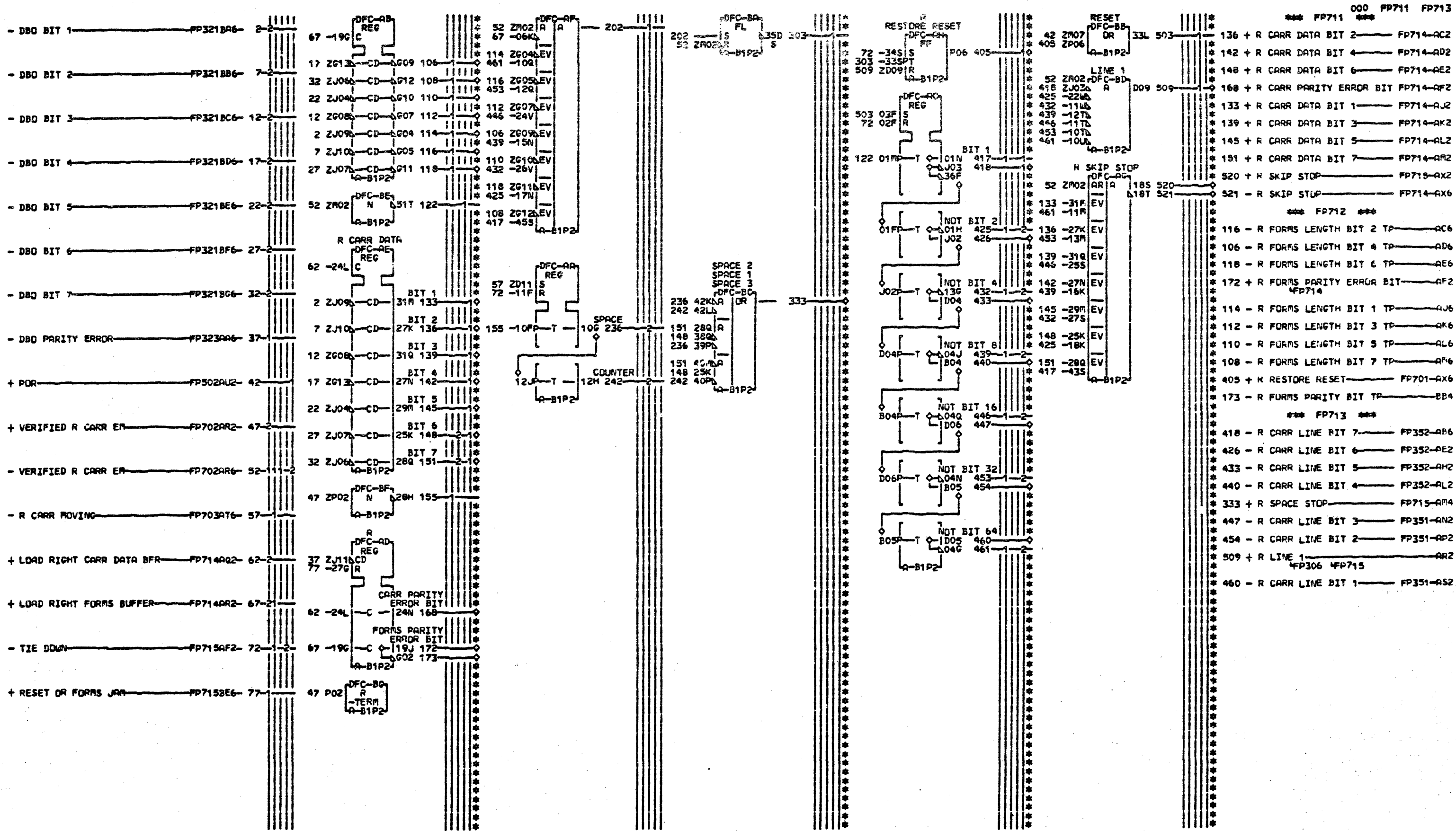
FP701
FP703

011 SIM TO PN EC 818671

LOC. TYPE
A-B1R2 2641

PAGE VER EC LEV
FP701 011 818671
FP702 000 818671
FP703 000 818671

RIGHT CARRIAGE EM. AND MAN. OP MAN CARRIAGE OP.		E.C. HISTORY RACH. 5203-ATT 818912	
DATE LAST EC 07-16-71 818671		FRAME 01	FP701
P.No. 7369392		IBM CORP. SDD	FP703
			011



NOTE FEATURE CARD FOR DUAL FEED CARRIAGE ONLY.

LOC. TYPE A-B1P2 2642

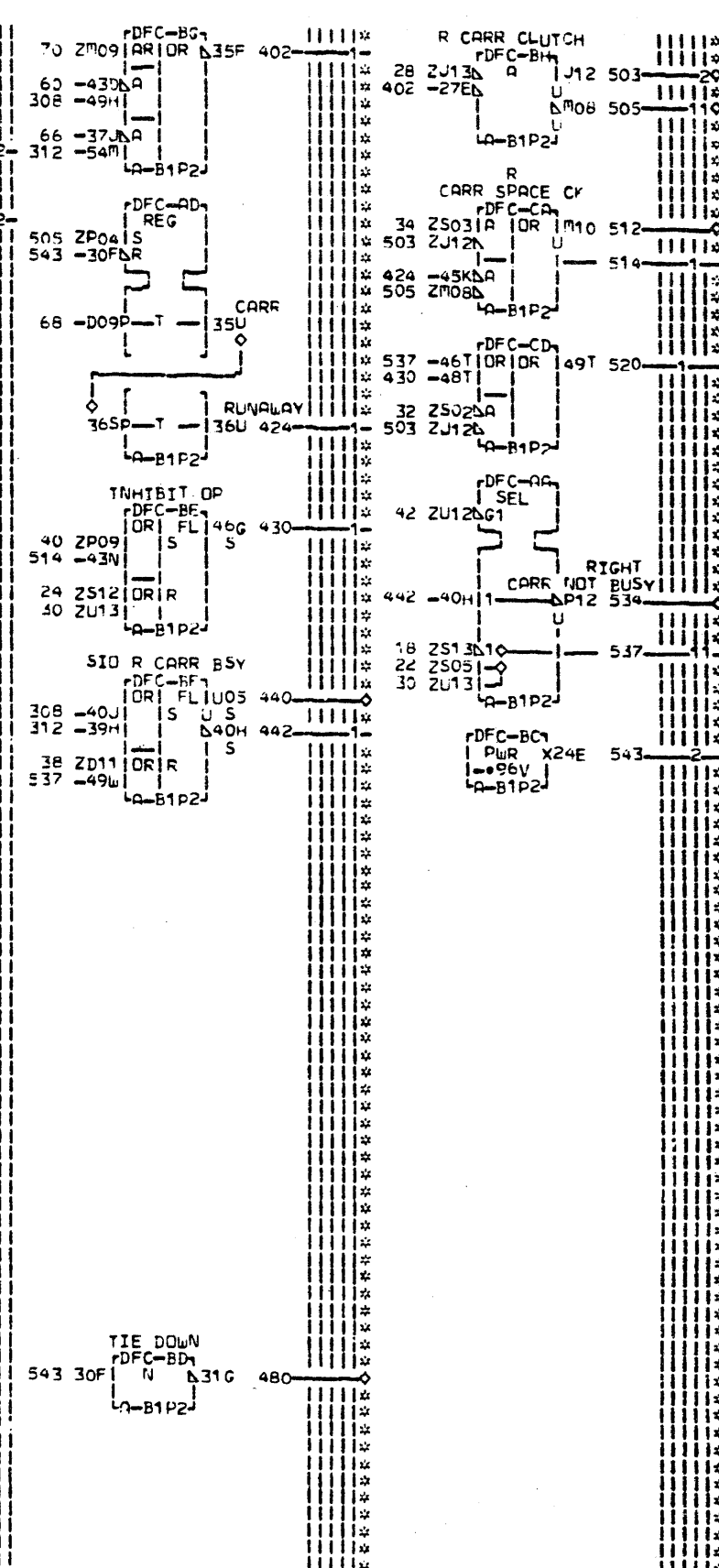
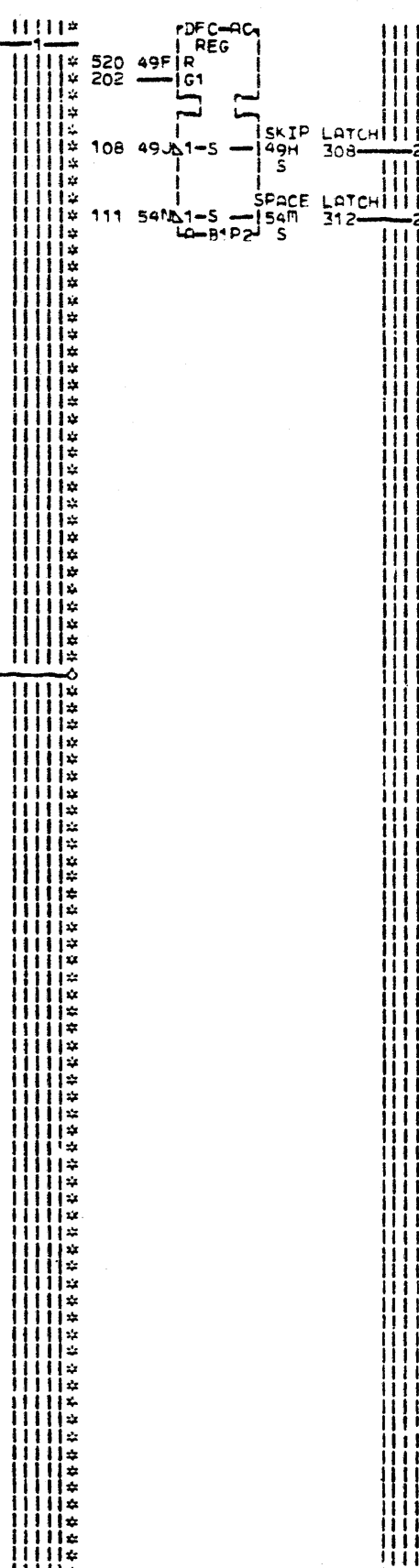
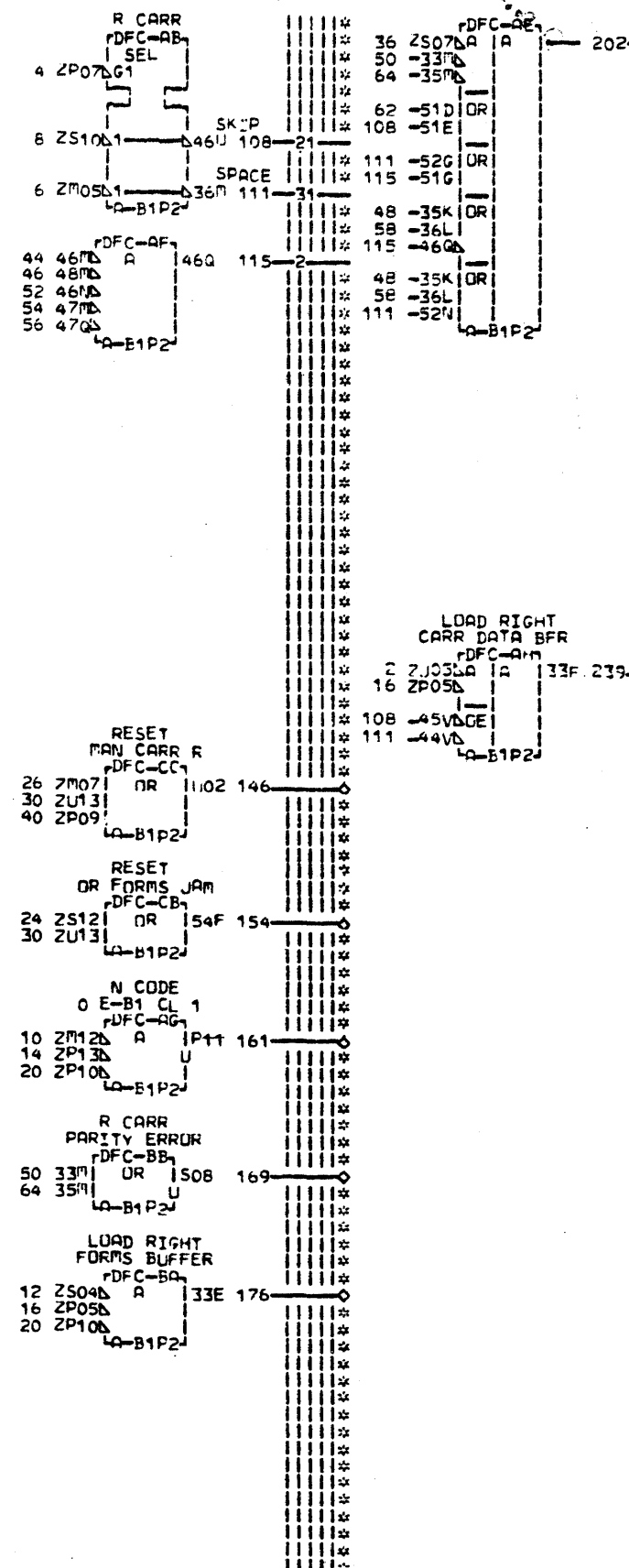
PAGE VER EC LEV
 FP711 000 818671
 FP712 000 818671
 FP713 000 818671

RIGHT CARRIAGE CONTROLS
 CARRIAGE SPACE-SKIP REG
 E.C. HISTORY R. MACH. 5203-ATT
 818912

FRAME 01 FP711
 IBM CORP. SDD FP713
 DATE LAST EC
 07-16-71 818671 P.No. 2589186 000

FP711
 FP713
 000

- I-R CYCLE FP301AA2 2-1
 - SELECT RIGHT CARR FP304AA6 4-1
 - SID SPACE COMMAND FP304AJ6 6-1
 - SID SKIP COMMAND FP304AK6 8-1
 - SNS N CODE 0 FP304AM6 10-1
 - SELECT FORMS LENGTH FP304AR6 12-1
 - CLOCK 1 FP311AB2 14-1
 - SAMPLE DBD CLS FP311AP6 16-1
 - HPROINCR FAILURE CK FP341AW2 18-1
 - E-B1 CY FP404BM2 20-2
 + SYS RESO SYS CK RES FP502AG6 22-1
 + STARTO SYSO SYS CK RES FP502AM6 24-1
 + POR FP502AU2 26-1
 - CARR CL CTRL FP601BH6 28-1
 + FORMS JAM FP601BJ2 30-2
 - R LATCH RESET FP702AJ2 32-1
 + CHECKING R SPACE FP702AQ2 34-1
 - END OF I-R CY FP702BD2 36-1
 - R CARR MOVING FP703AT6 38-1
 + R CARR SYNC CHECK FP703AU6 40-1
 + R CARR MOVING FP703AX6 42-1
 + R CARR DATA BIT 2 FP711AC2 44-1
 + R CARR DATA BIT 4 FP711AD2 46-1
 + R CARR DATA BIT 6 FP711AE2 48-2
 + R CARR PARITY ERROR BIT FP711AF2 50-1
 + R CARR DATA BIT 1 FP711AJ2 52-1
 + R CARR DATA BIT 3 FP711AK2 54-1
 + R CARR DATA BIT 5 FP711AL2 56-1
 + R CARR DATA BIT 7 FP711AM2 58-2
 + R SKIP STOP FP711AX2 60-1
 - R SKIP STOP FP711AX6 62-1
 + R FORMS PARITY ERROR BIT FP712AF2 64-1
 + R SPACE STOP FP713AM4 66-1
 + R LINE 1 FP713AR2 68-1
 + MAN CARR OP R CNTRL FP818AR2 70-1



000 FP714 FP715
 *** FP714 ***
 239 + LOAD RIGHT CARR DATA BFR LFP711 AQ2
 176 + LOAD RIGHT FORMS BUFFER FP712-AR2 514
 161 + N CODE 0 E-B1 CL 1 FP353-BB6 49T 520
 169 + R CARR PARITY ERROR FP305-BC6
 *** FP715 ***
 480 - TIE DOWN LFP712 LFP713 AF2
 503 + R CARR CLUTCH FP601-AY2 543
 505 - RIGHT CARR CLUTCH -1+6 LFP211 LFP703 AY6
 154 + RESET OR FORMS JAM LFP711 LFP712 BE6
 146 + RESET MAN CARR R FP701-EK6
 534 - RIGHT CARR NOT BUSY FP303-EL6
 512 + R CARR SPACE CK FP342-EM6
 440 + SID R CARR BSY FP303-BR6

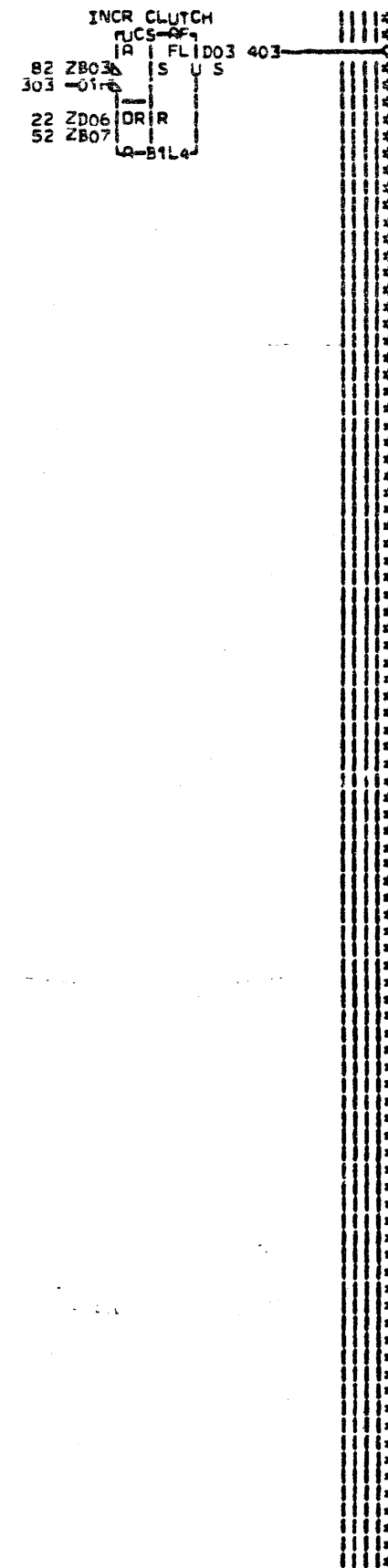
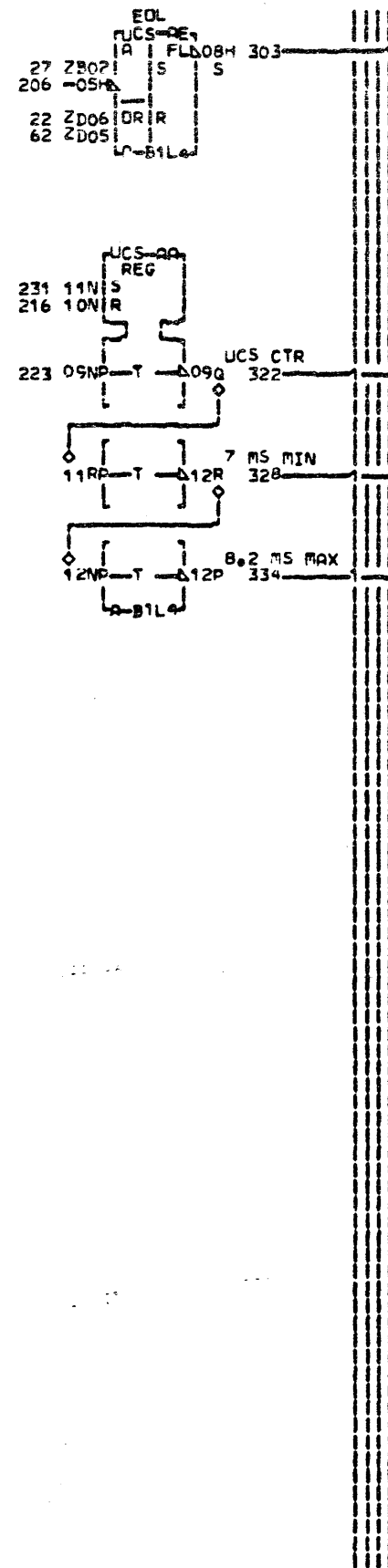
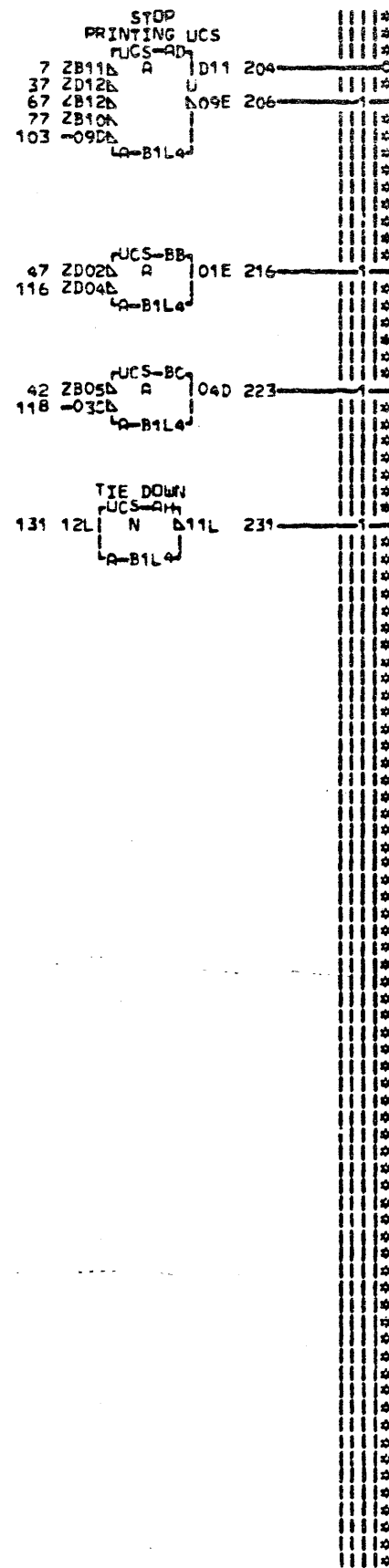
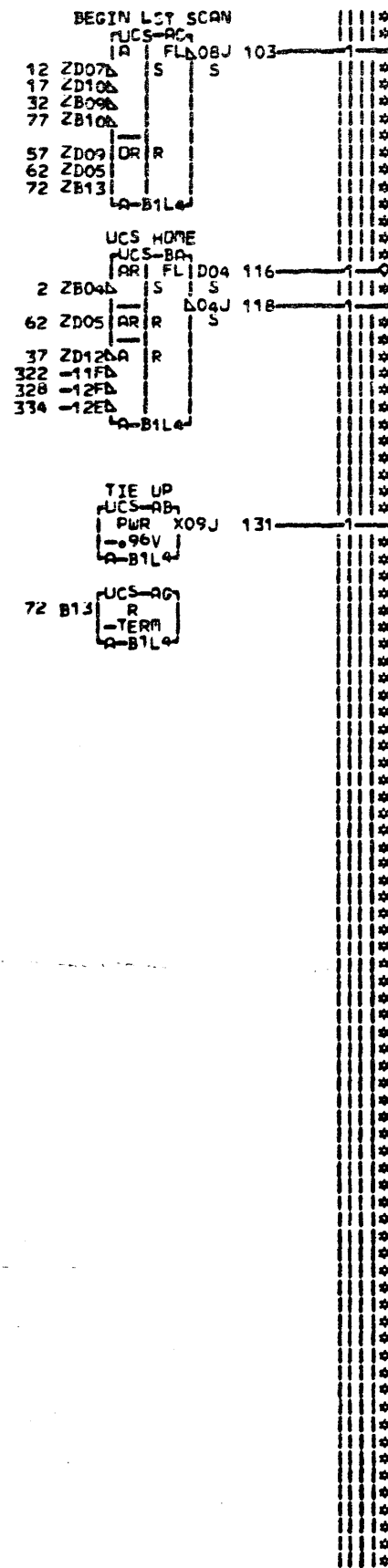
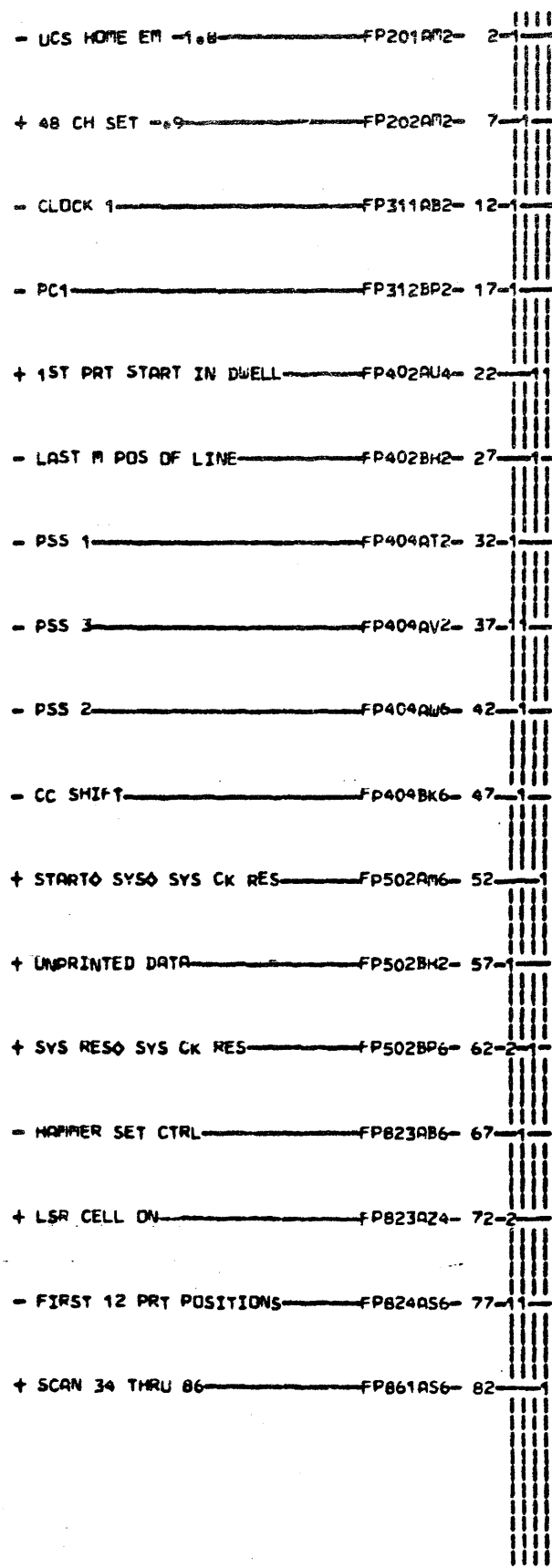
NOTE FEATURE CARD FOR DUAL FEED CARRIAGE ONLY.

LOC. TYPE A-B1P2 2642

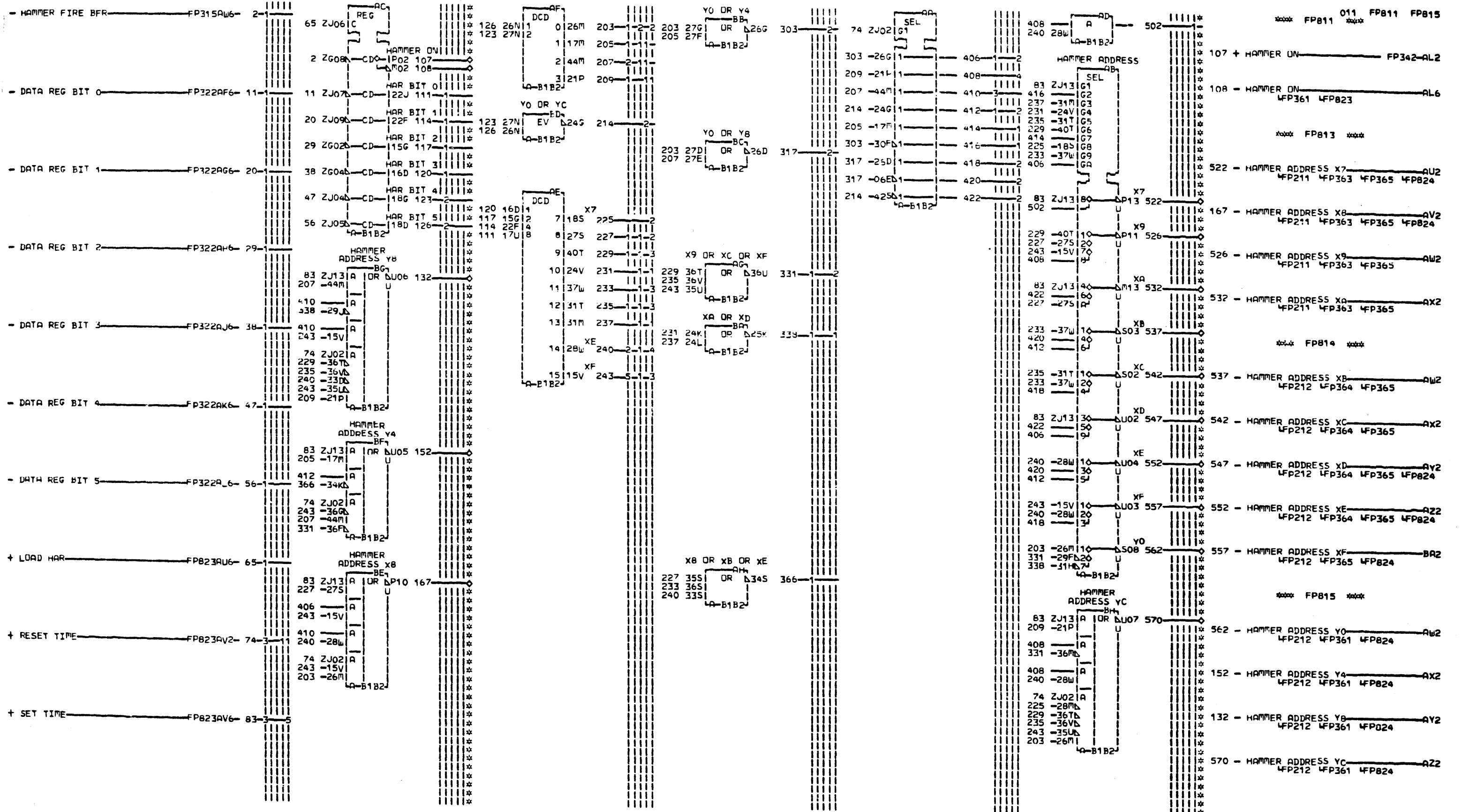
PAGE VER EC LEV
 FP714 000 818671
 FP715 000 818671

FP714
 FP715
 000

RIGHT CARRIAGE CONTROLS		BUFFER LOAD AND LATCH CONTROL	
E.C.	ISTORY	R. MACH.	5203-ATT
818912			
DATE	LAST EC	FRAME	01 FP714
07-16-71	818671	IBM CORP.	SDD FP715
		P.No.	2589187 000



011 FP801 FP802
 *** FP801 ***
 204 + STOP PRINTING UCS — FP314-AT2
 403 + UCS INCR CLUTCH CONTROL FP501-AU2
 *** FP802 ***
 116 + UCS HOME — FP404-AB2

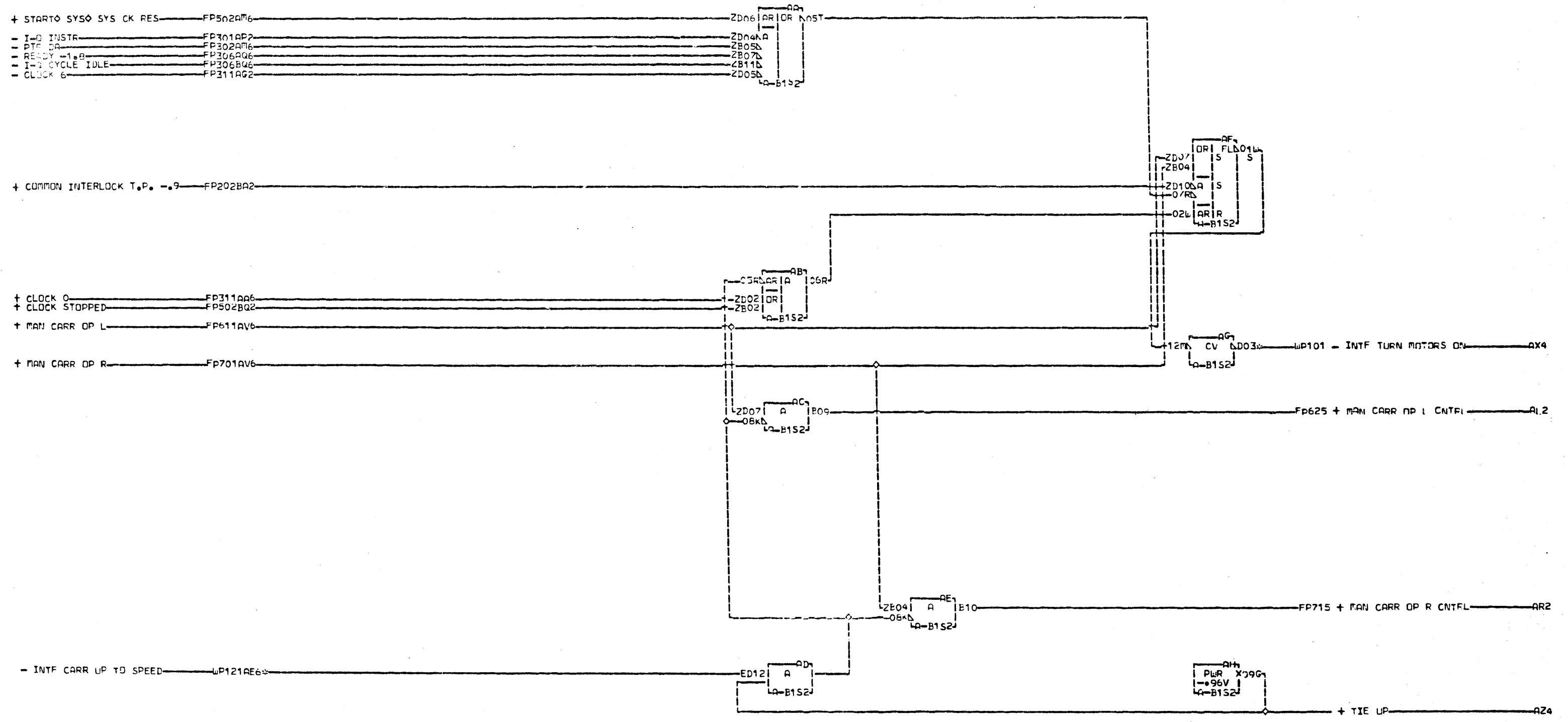


LOC. TYPE
A-B1B2 0757

PAGE VER EC LEV
 FP811 011 818671
 FP812 011 818671
 FP813 011 818671
 FP814 011 818671
 FP815 011 818671

300 LPM HAMMER ADDRESS DECODE			
E.C.	HISTORY	R1	MACH. 5203-ATT
	818912		
FRAME	01		FP811
IBM CORP.	SDD		FP815
DATE	LAST EC		
07-16-71	818671	P.No.	7369394 011

FP811
 FP815
 01.



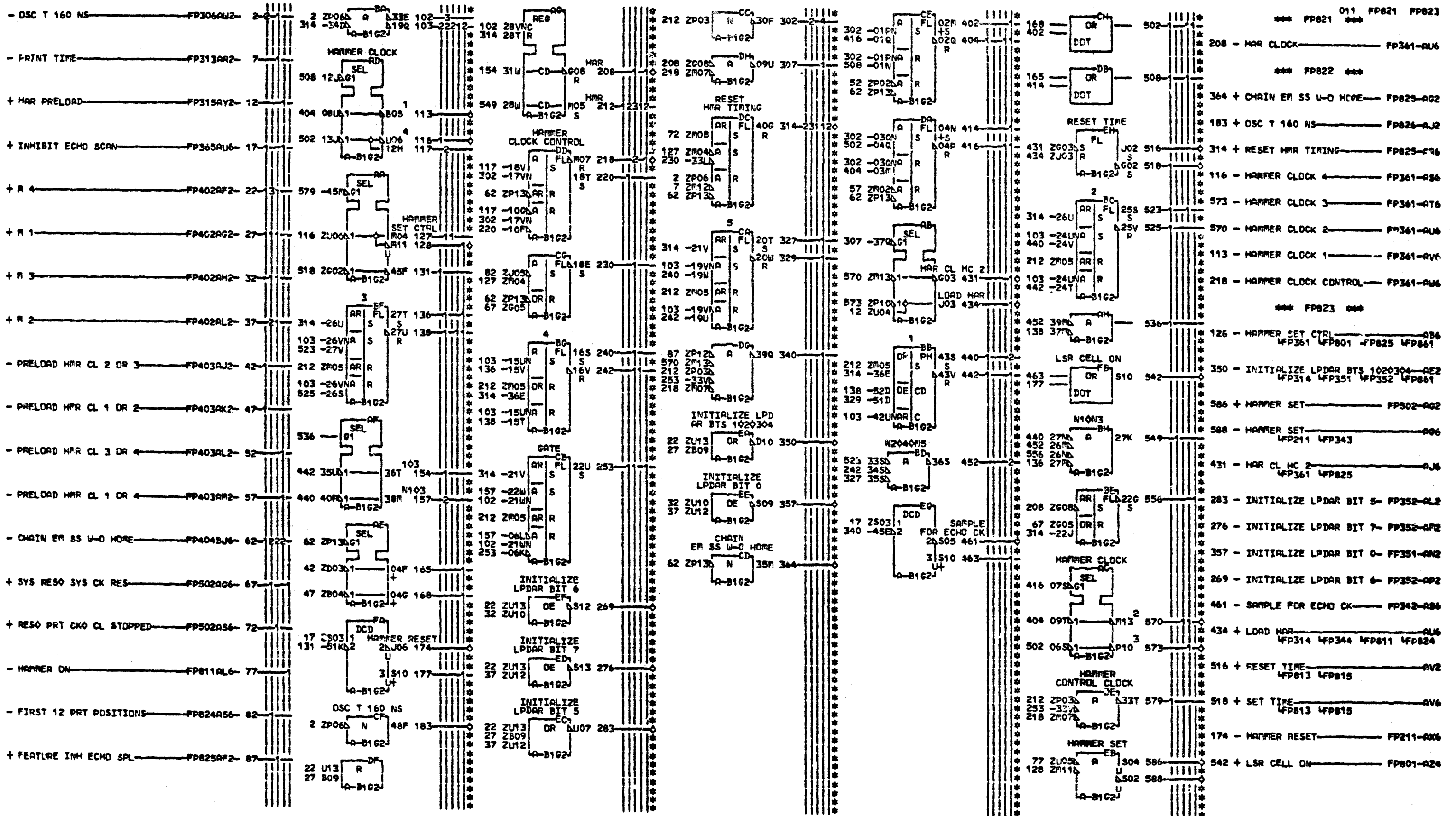
F
P
B
1
8
C30

WP121AE6
RESISTOR
A-B1S2D12
AG2 A-B1V2B10

LOC. TYPE
A-B1S2 0967

IDLE CONTROL			
E.C. HISTORY	R. MACH. 5203-ATT	FRAME	01
818912		IBN CORP. RD	
DATE	LAST EC	P.N.	7369395
07-16-71	818671		

F
P
B
1
8
000

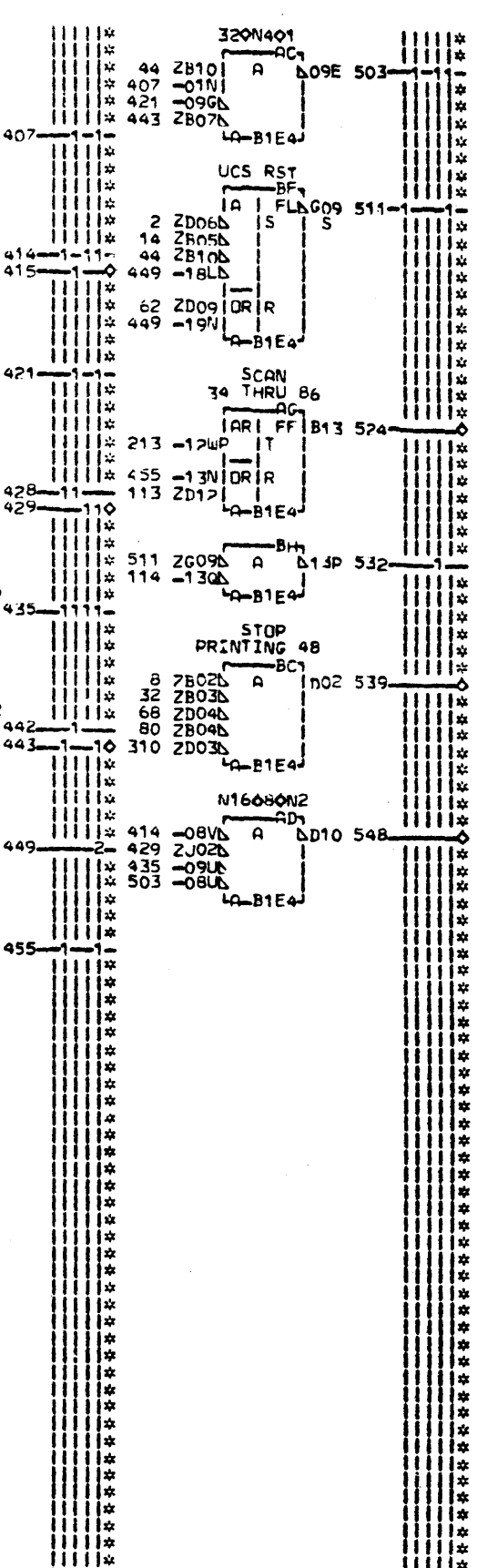
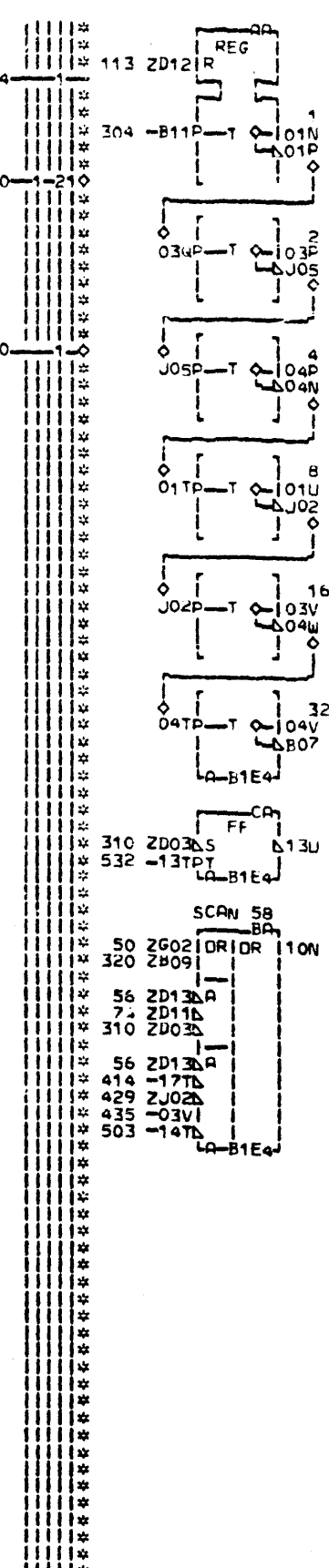
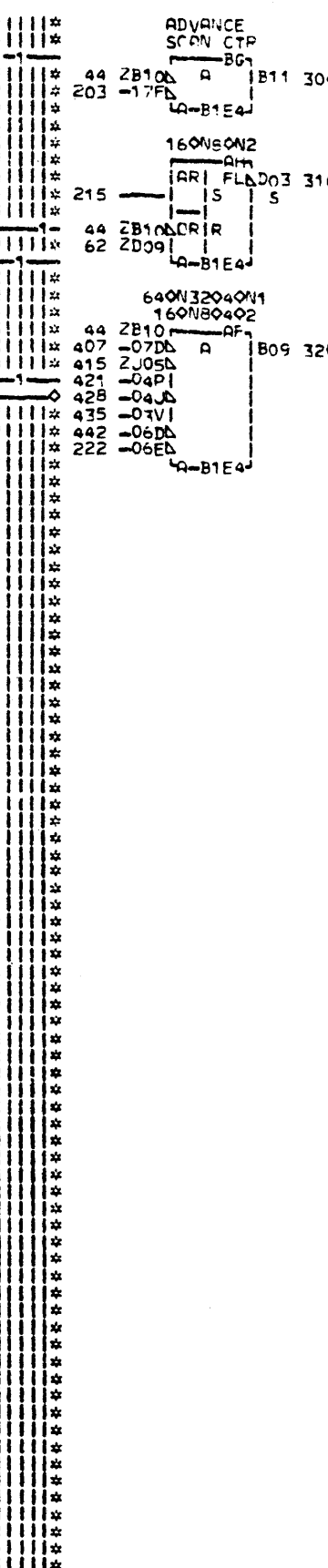
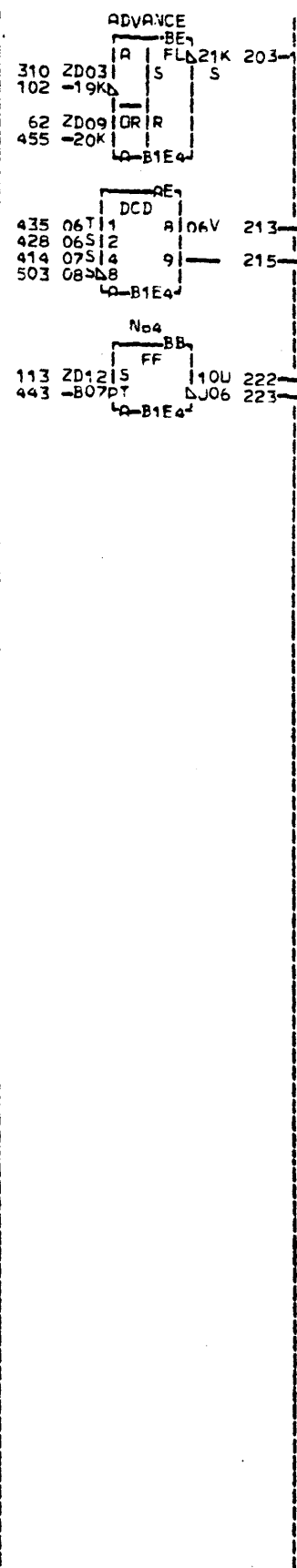
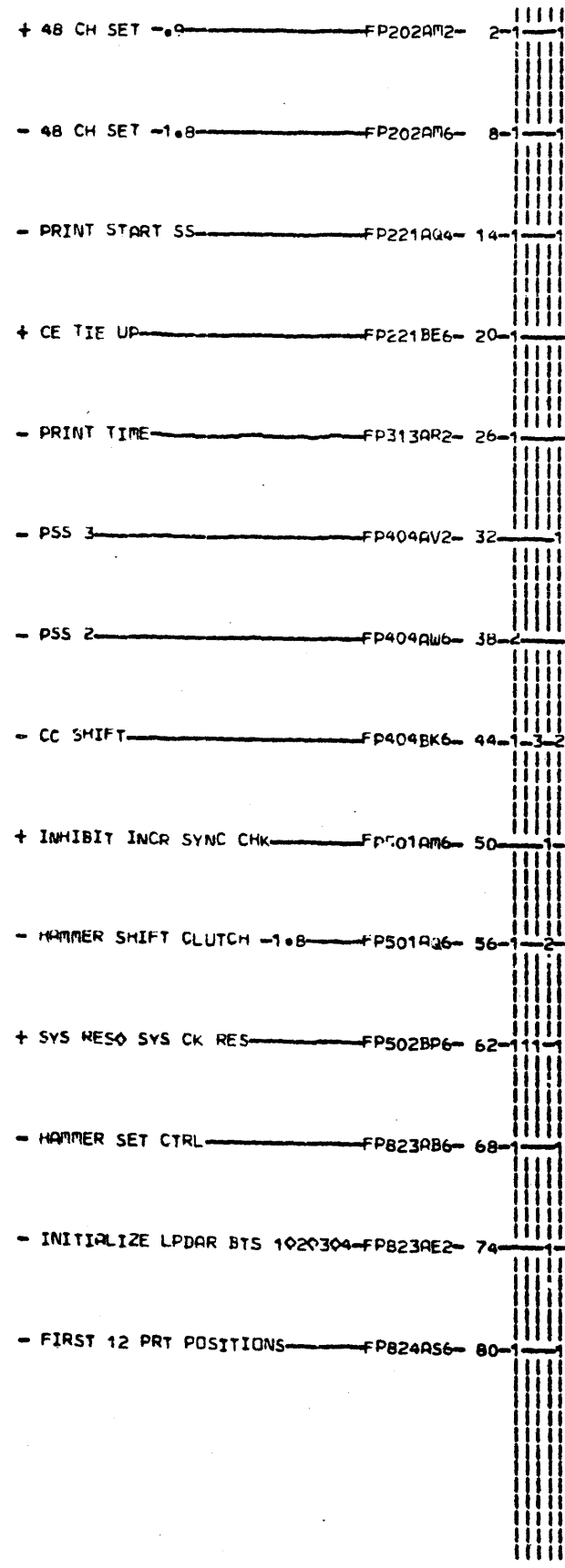


LOC. TYPE
A-B1G2 0758

PAGE VER EC LEV
FPA21 011 818671
FPB22 011 818671
FPB23 011 577022

HAMMER TIMING
HAMMER SET/0 RESET
E.C. HISTORY BACH 5203-ATT
A18912 FRAME 01 FPB21
818671 IBM CORP. SDD FPB23
DATE LAST EC
03-29-72 577022 PaNo 7369396 011

FPB21
FPB23
011



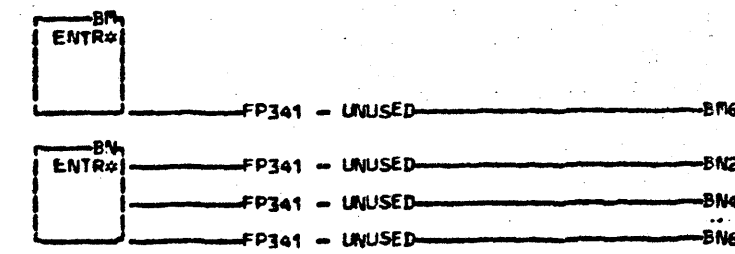
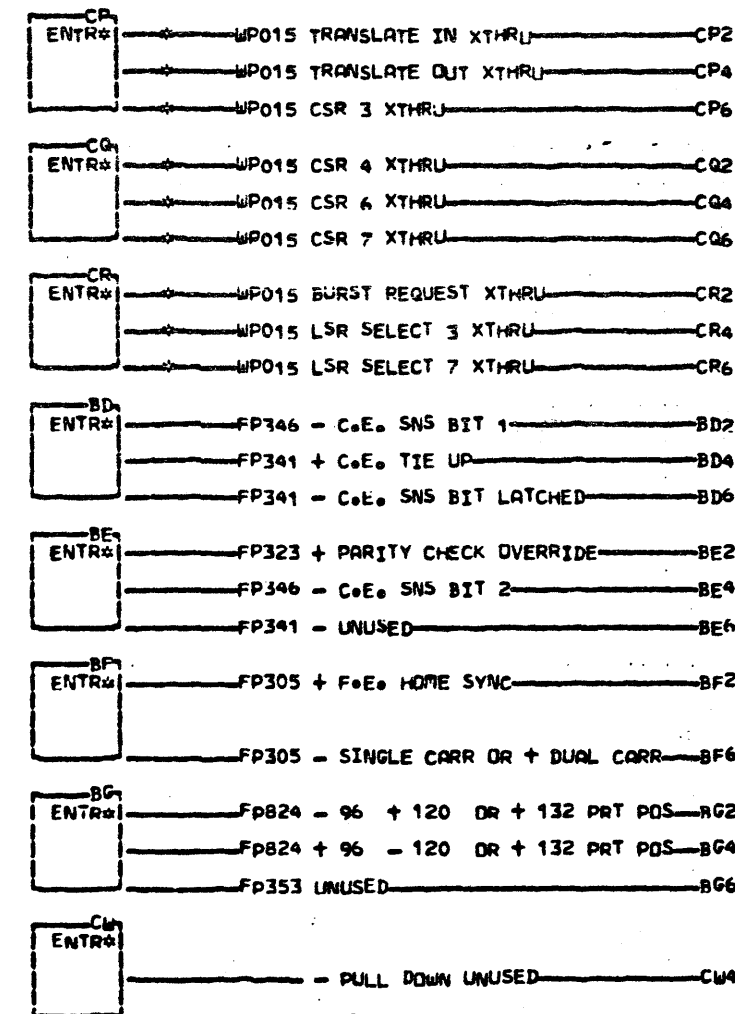
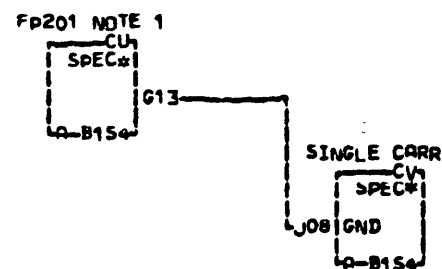
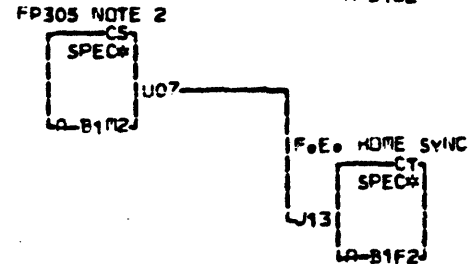
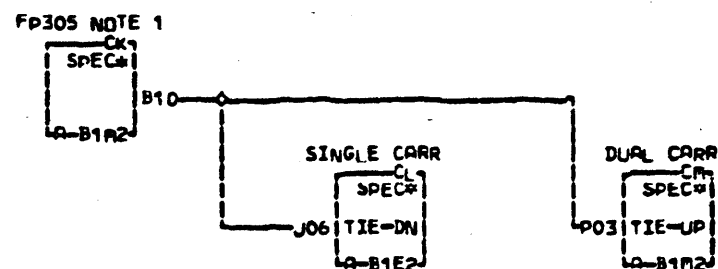
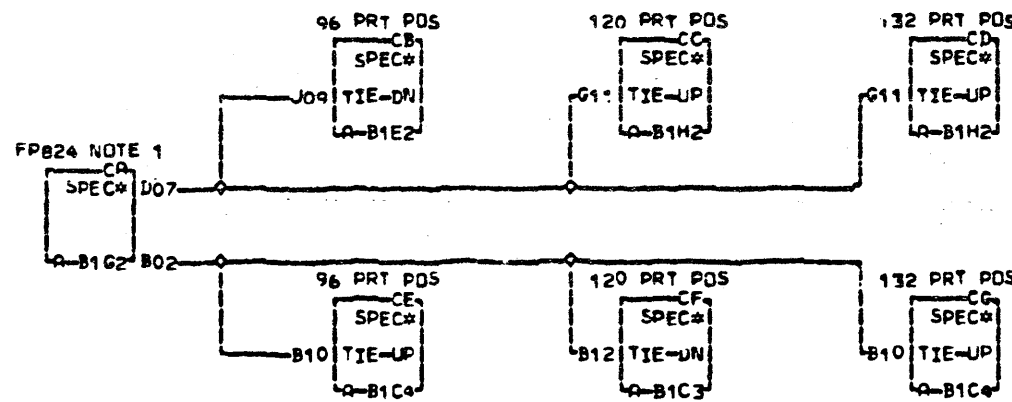
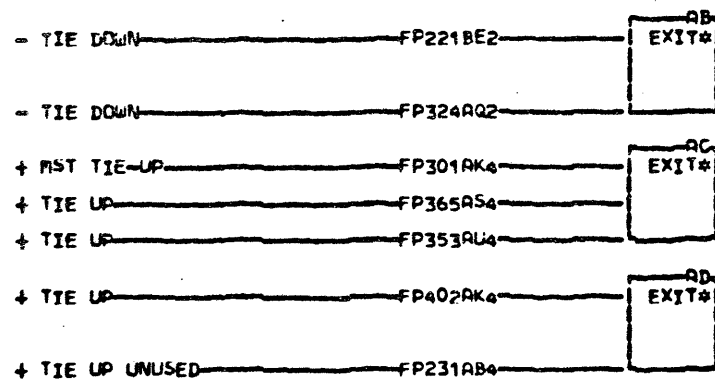
*** FP861 *** 011 FP861 FP862

LOC. TYPE
A-B1E4 3072

PAGE VER EC LEV
FP861 011 818671
FP862 011 818671

FP861
FP862
011

300 LPM SCAN COUNTER		
E.C. HISTORY - R1 MACH. 5203-ATT 818912		
DATE	LAST EC	FRAME 01 FP861
07-16-71	818671	IBM CORP. SDD FP862
P.No. 7369398		011



NOTE SPEC LOGIC BLOCKS.
 SPEC BLOCKS SHOW TIE-UP & TIE-DOWN CONNECTIONS NECESSARY FOR PRINTER OPTIONS.
 1 SEE NOTES REFERENCED ABOVE
 1 SPEC BLOCKS FOR CLARIFICATION.

CP2	A-B1N6C02	01A-B1A5D06
CP4	A-B1N6E02	01A-B1A5D07
CP6	A-B1L6D02	01A-B1A5B08
CR2	A-B1M6E04	01A-B1A5D13
CR4	A-B1J6B04	01A-B1A5D02
CR6	A-B1K6B04	01A-B1A5D03
CQ2	A-B1L6E02	01A-B1A4B08
CQ4	A-B1M6C02	01A-B1A4B13

011 SIM TO PN EC 818671

LOC. TYPE

SYSTEM ENTER EXIT - PTR		F
E.C. HISTORY	R. MACH. 5203-ATT	P
B18912	FRAME	01 1
	IBM CORP. SDD	1
DATE LAST EC	P.No. 7369399	011
107-16-71 818671		

PART NO. 2589214 E.C. NO. 577022 VERSION 011 SIZE SINGLE MACHINE 5203-ATT LOCATION 01A-B1

PIN ID: *-I/O PIN PLANES: 1-CARD SIDE SHALLOW 3-PROBE SIDE SHALLOW WIRE TYPES: YEL-YELLOW, 3G, AG *-I/O & LOGIC 2-PROBE SIDE SHALLOW 4-PROBE SIDE SHALLOW TWL-TWIN LEAD WRAP NTR-90 CHM TRI-LEAD T-TERMINATING RES. W-DISCRETE OVERFLOW TH-TWIST PR CONNECT FTW-50 CHM TWIN LEAD V-VOLTAGE/GROUND FTR-5C OHM TRI-LEAD CX-CCAX CONNECTOR

NOTES: WIRE LENGTH IS IN TENTHS OF AN INCH. YELLOW WIRE LENGTH INCLUDES WIRE FOR WRAP.

Table with columns: NET NO., FROM PIN, P L, TO PIN, P L, WIRE TYP, WIRE LENGH. It lists wire connections for various components like FP121AA2, FP202AH6, FP302AX2, etc., including pin numbers and wire lengths.

PART NO. 2589214 E.C. NO. 577022 VERSION 011 SIZE SINGLE MACHINE 5203-ATT LOCATION 01A-B1

PIN ID: #-I/O PIN PLANES: 1-CARD SIDE SHALLOW 3-PROBE SIDE SHALLOW WIRE TYPES: YEL-YELLOW, 30, AG TWL-TWIN LEAD WRAP NTR-90 CHM TRI-LEAD *-I/O & LOGIC 2-PROBE SIDE SHALLOW 4-PROBE SIDE SHALLOW FTW-50 CHM TWIN LEAD T-TERMINATING RES. W-DISCRETE OVERFLOW TW-TWIST PR CONNECT NTW-90 CHM TWIN LEAD V-VOLTAGE/GROUND FTR-50 OHM TRI-LEAD CX-CCAX CONNECTOR

NOTES: WIRE LENGTH IS IN TENTHS OF AN INCH. YELLOW WIRE LENGTH INCLUDES WIRE FOR WRAP.

Table with columns: NET NO., FROM PIN, P L, TO PIN, P L, WIRE TYP, WIRE LNPTH, FROM PIN, P L, TO PIN, P L, WIRE TYP, WIRE LNPTH, FROM PIN, P L, TO PIN, P L, WIRE TYP, WIRE LNPTH. Contains multiple columns of wire connection data.

PART NO. 2589214 E.C. NO. 577022 VERSION 011 SIZE SINGLE MACHINE 5203-ATT LOCATION 01A-B1

PIN ID: #-I/O PIN PLANES: 1-CARD SIDE SHALLOW 3-PROBE SIDE SHALLOW WIRE TYPES: YEL-YELLOW, 30, AG *-I/O & LOGIC 2-PROBE SIDE SHALLOW 4-PROBE SIDE SHALLOW TWL-TWIN LEAD WRAP T-TERMINATING RES. W-DISCRETE OVERFLOW TH-TWIST PR CONNECT FTR-50 OHM TRI-LEAD NTR-90 CHM TRI-LEAD FTW-50 CHM TWIN LEAD NTH-90 CHM TWIN LEAD V-VOLTAGE/GROUND CX-CCAX CONNECTOR

NOTES: WIRE LENGTH IS IN TENTHS OF AN INCH. YELLOW WIRE LENGTH INCLUDES WIRE FOR WRAP.

Table with columns: NET NO., FROM PIN, P L, TO PIN, P L, WIRE TYP, WIRE LNPTH. It lists wire connections for various components like FP404AF6, FP502AT6, FP625BL6, etc.

DATE 05-22-75

PART NO. 2589214 E.C. NO. 577022 VERSION 011 SIZE SINGLE MACHINE 5203-ATT LOCATION 01A-B1

PIN ID: #-I/O PIN *-I/O & LOGIC T-TERMINATING RES. V-VOLTAGE/GROUND PLANES: 1-CARD SIDE SHALLOW 2-PROBE SIDE SHALLOW 3-PROBE SIDE SHALLOW 4-PROBE SIDE SHALLOW W-DISCRETE OVERFLOW WIRE TYPES: YEL-YELLOW, 30 GA. TWL-TWIN LEAD WRAP TW-TWIST PR CONNECT FTR-50 OHM TRI-LEAD NTR-90 OHM TRI-LEAD FTW-50 OHM TWIN LEAD NTH-90 OHM TWIN LEAD CX-CCAX CONNECTOR

NOTES: WIRE LENGTH IS IN TENTHS OF AN INCH. YELLOW WIRE LENGTH INCLUDES WIRE FOR WRAP.

Table with columns: NET NO., FROM PIN, P, TO PIN, P, WIRE TYP, WIRE LENGH, FROM PIN, P, TO PIN, P, WIRE TYP, WIRE LENGH, FROM PIN, P, TO PIN, P, WIRE TYP, WIRE LENGH. It lists wire connections for various components like FP814BA2, FP815AW2, etc.

DATE 05-22-75

MST-1

BOARD DISCRETE WIRE EQUIVALENT LIST SEQUENCED BY NET NUMBER

PAGE 5

PART NO. 2589214 E.C. NO. 577022 VERSION 011 SIZE SINGLE MACHINE 5203-ATT LOCATION 01A-B1

PIN ID: #-I/O PIN PLANES: 1-CARD SIDE SHALLOW 3-PROBE SIDE SHALLOW WIRE TYPES: YEL-YELLOW, 30, AG NTR-90 CHM TRI-LEAD
*-I/O & LOGIC 2-PROBE SIDE SHALLOW 4-PROBE SIDE SHALLOW TWL-TWIN LEAD WRAP FTW-50 CHM TWIN LEAD
T-TERMINATING RES. W-DISCRETE OVERFLOW TW-TWIST PR CONNECT NTW-90 CHM TWIN LEAD
V-VOLTAGE/GROUND FTR-50 OHM TRI-LEAD CX-CCAX CONNECTOR

NOTES: WIRE LENGTH IS IN TENTHS OF AN INCH. YELLOW WIRE LENGTH INCLUDES WIRE FOR WRAP.

NET NO.	FROM PIN	P L	TO PIN	P L	WIRE TYP	WIRE LGTH	FROM PIN	P L	TO PIN	P L	WIRE TYP	WIRE LGTH	FROM PIN	P L	TO PIN	P L	WIRE TYP	WIRE LGTH
WP121AE2	S5D12	2	V3B13#	2	YEL	9.0												
WP121AE4	V3DC2#	2	S5B13	2	YEL	11.0												
WP121AE6	V2D09#	2	S2D12	2	YEL	5.5												

END OF LIST

DATE 05-22-75

MST-1

BOARD DISCRETE WIRE EQUIVALENT LIST SEQUENCED BY PIN NUMBER

PAGE 1

PART NO. 2589214

E.C. NO. 577022

VERSION 011

SIZE SINGLE

MACHINE 5203-ATT

LCCATION 01A-B1

PIN ID: #-I/O PIN
*-I/O & LOGIC
V-VOLTAGE/GROUND

NOTE: 'T' FOLLOWING PIN LOCATION INDICATES TERMINATING RESISTOR

PIN	NET NO.	PIN	NET NO.	PIN	NET NO.	PIN	NET NO.	PIN	NET NO.	PIN	NET NO.	PIN	NET NO.
A2B02#	WP010AG4	A4B06#	FP315AS2	B3D04	FP322AK6	C4D03	FP822AV6	D5DC2	FP412AM6	E4DC2	FP861AY2	F4D10	FP404AT2
A2B03	FP121AA2	A4B07	FP121CA3	B3D05	FP322AL6	C4D04	FP362AX2	D5DC3	FP411AN6	E4CC3	FP861AT6	F4D11	FP221AC2
A2B04#	WP010AJ2	A4B08#	FP911CR4	B3D06	FP823AU6	C4D05	FP822AS6	D5DC4	FP411AM6	E4CC4	FP823AP6	F4D12	FP402AK4
A2B05#	WP010AJ4	A4B09#	FP313AM6	B3D07	FP322AF6	C4D06	FP814A72	D5D05	FP412AV6	E4CC6	FP202AN2	F5B05	FP402AH2
A2B06#	WP010AJ6	A4B10#	FP313AL6	B3D09	FP322AG6	C4D07	FP814AY2	D5D13	FP311AJ2	E4CC7	FP313AR2	F5B08	FP403EA2
A2B07	FP121AA3	A4B11	FP121CA4	B3D13	FP823AV6	C4D09	FP814AX2	D6E02#	WP010AA2	E4CC9	FP502BP6	F5B10	FP861AS6
A2B08#	WP010AK2	A4B12#	FP313AK6	B4B02	FP811AL6	C4D10	FP362A72	D6E04#	WP010AD2	E4C10	FP861AJ6	F5B11	FP402AK4
A2B09#	WP010AL6	A4B13#	FP911CR6	B4B06	FP121SA5	C4D11	FP365AU6	E2B02	FP324AN2	E4D11	FP823AE2	F5B12	FP403EJ2
A2B10#	WP010AM2	A4C03	FP121CA2	B4B13	FP121SA2	C4C13	FP811AL6	E2B03	FP321AG2	E4C12	FP862AC2	F5B13	FP403EK6
A2B11	FP121AA4	A4C04	FP121CA5	B4C06	FP121SA5	C5B02	FP814BA2	E2B04	FP321BA6	E4C13	FP501AC6	F5C02	FP314AA2
A2B12#	WP010AM4	A4C07	FP121CA3	B4D02	FP811AL2	C5B03	FP315AW2	E2B05	FP321BB6	E5B02	FP501AF6	F5C03	FP402BH2
A2B13#	WP010AM6	A4C11	FP121CA4	B4D10	FP813AV2	C5B04	FP813AW2	E2B07	FP321BC6	E5B09	FP862AJ6	F5D05	FP402AU4
A2C03	FP121AA2	A4C12	FP121CA6	B4D11	FP813AW2	C5B06	FP121AC6	E2B09	FP321BD6	E5D02	FP861AH6	F5D06	FP403AZ2
A2C04	FP121AA5	A4D02#	FP353AY2	B4D13	FP813AU2	C5B07	FP362AY2	E2B10	FP321BE6	E5C05	FP861AC6	F5D07	FP402AG2
A2C07	FP121AA3	A4D03#	FP351AV2	B5B02	FP814AX2	C5B08	FP813AU2	E2B11	FP321BF6	E5D06	FP861AV6	F5D09	FP402AF2
A2C11	FP121AA4	A4D04	FP121CA5	B5B03	FP814AW2	C5B09	FP814AW2	E2B12	FP321BG6	E5C10#	FP221BE6	F6A04#	WP010AH2
A2C12	FP121AA6	A4D05#	FP351AX2	B5B06	FP121SA7	C5B10	FP823AB6	E2B13	FP321AG6	E6AC2#	WP010AA4	F6B02#	WP010AE6
A2D02#	WP010AD4	A4D06#	FP351AY2	B5B08	FP815AW2	C5B11	FP313AU6	E2D02	FP321AQ2	E6B04#	WP010AH6	F6B04#	WP010AH4
A2D03#	WP010AD6	A4D07#	FP351BA2	B5C06	FP121SA7	C5B12	FP823AJ6	E2D03	FP911BE2	E6C02#	WP010AA6	F6C02#	WP010AC2
A2D04	FP121AA5	A4D09#	FP352AU2	B5D02	FP814AY2	C5C06	FP121AC6	E2D04	FP323AN6	E6C04#	WP010AL2	F6C04#	WP010AK4
A2D05#	WP010AE2	A4D10#	FP352AW2	B5D03	FP814BA2	C5D02	FP815AX2	E2D05	FP323AP6	E6D02#	WP010AB2	F6C02#	WP010AC4
A2D06#	WP010AE4	A4D11#	FP352AX2	B5D04	FP814AZ2	C5D03	FP815AY2	E2D06	FP315AK2	E6D04#	WP010AG6	F6E04#	WP010AK6
A2D07#	WP010AE6	A4D12	FP121CA6	B5D05	FP815AX2	C5D04	FP815AZ2	E2D07	WP010AG2	E6E02#	WP010AB4	G2B02	FP911BG4
A2D09#	WP010AF2	A4D13#	FP352AZ2	B5D06	FP815AY2	C5D06	FP813AX2	E2D09	WP01CAF6	F2B02	FP403AK2	G2B04	FP403AK2
A2D10#	WP01CAF4	A5B02#	FP306AU2	B5D07	FP815AZ2	C5D07	FP362AW2	E2D10	WP01CAF4	F2B03	WP010AK2	G2B05	FP822AV6
A2D11#	WP01JAF6	A5B03	FP121DA2	B6A04#	WP010AJ2	C5D09	FP813AV2	E2D11	WP01CAF2	F2B04	FP404AW6	G2B07	FP815AZ2
A2D12	FP121AA6	A5B04#	FP303AH6	B6B04#	WP010AE2	C5D10	FP362BC2	E2D12	FP324AJ6	F2B05	FP404BP2	G2B09	FP402AG2
A2D13#	WP010AG2	A5B05#	FP303AX2	B6B04#	WP010AJ4	C5D11	FP362BA2	E2D13	FP323AU6	F2B10	FP401CK4	G2B10	FP815AX2
A3B02#	WP010AD2	A5B06#	FP341AZ6	B6C02#	WP010AE4	C5D13	FP362BC2	E3B02	FP323AM6	F2B11	FP403AU6	G2B11	FP826AP2
A3B03	FP121BA2	A5B07	FP121DA3	B6C04#	WP010AJ6	C6A02#	WP010AF2	E3B03	FP322AF6	F2D02	FP403AJ2	G2B12	FP824AN2
A3B04#	WP010AH6	A5B08#	FP911CR2	B6D02#	WP010AE6	C6A04#	WP010AL6	E3B04	FP322AG6	F2D03	FP404BN2	G2B13	FP814EA2
A3B05#	WP010AL2	A5B11	FP121DA4	B6E04#	WP01JAK2	C6B02#	WP010AF4	E3B05	FP322AH6	F2D04	FP403AL2	G2C02	FP824AF2
A3B06#	WP010AG6	A5B13#	WP010AL4	C3B05	FP222AF2	C6B04#	WP010AM2	E3B07	FP322AJ6	F2D05	FP403AM2	G2C03	FP403AJ2
A3B07	FP121BA3	A5C03	FP121DA2	C3B06	FP121SC4	C6C02#	WP010AF6	E3B08	FP315AX4	F2D06	WP010AJ6	G2C04	FP815AY2
A3B08#	WP010AH2	A5C04	FP121DA5	C3B10	FP222BH2	C6D04#	WP010AM4	E3B09	FP322AK6	F2D07	FP404BN2	G2C05	FP813AU2
A3B09#	WP010AH4	A5C07	FP121DA3	C3B11	FP222AW2	C6E02#	WP010AG2	E3B10	FP322AL6	F2D11	FP404AN6	G2C06	FP815AW2
A3B10#	WP010AK4	A5C11	FP121DA4	C3B12	FP221BE2	C6E04#	WP010AM6	E3B11	FP322AM6	F2D13	FP403EG6	G2D07	FP911BG2
A3B11	FP121BA4	A5C12	FP121DA6	C3B13	FP825AG2	D2B02	WP010AN2	E3B12	FP322AN6	F3B02	FP502AP6	G2D09	FP813AV2
A3B12#	WP010AK6	A5D02#	FP911CP6	C3C06	FP121SC4	D2C12	FP403AU6	E3B13	WP010AD6	F3B03	FP404BJ6	G2D10	FP823AE2
A3B13#	WP010AN2	A5D03#	FP911CP2	C3D02	FP221BE2	D2C13	FP404AJ6	E3C02	FP311AS6	F3B04	FP401CK4	G2C11	FP814AZ2
A3C03	FP121BA2	A5D04	FP121DA5	C3D04	FP222BH2	D3B08	FP404AW6	E3D03	WP010AD4	F3B08	FP404BW6	G2C12	FP814AY2
A3C04	FP121BA5	A5D05#	FP314BG6	C3D05	FP601BF6	D3B13	FP311AA2	E3D04	FP502BP6	F3B09	FP861AJ6	G2C13	FP824AN2
A3C07	FP121BA3	A5D06#	FP911CQ4	C3D06	FP202BC2	D3D02	FP412AR6	E3D05	FP305BF6	F3B11	FP404AE6	G3B02	FP823AV6
A3C11	FP121BA4	A5D07#	FP911CQ6	C3D07	FP221AC4	D3C03	FP202AM6	E3D06	FP324AQ2	F3B12	FP802AE2	G3B03	FP823AJ6
A3C12	FP121BA6	A5D09#	FP305BJ6	C3D09	FP221AC2	D3C04	FP412AH6	E3D07	FP312AM6	F3B13	FP404AV2	G3B05	FP502AG6
A3D02#	WP010AA2	A5D10#	FP305BK6	C3D10	FP221BE6	D3C05	FP404BJ6	E3D09	FP324AQ2	F3C02	FP404BK6	G3B06	FP821AU6
A3D03#	WP010AA4	A5D11#	FP911CP2	C3D11	FP222AG6	D3C06	FP403BA2	E3D10	FP323AT2	F3C04	FP411AN6	G3B13	FP311AA6
A3D04	FP121BA5	A5D12	FP121DA6	C3D12	FP306AW2	D3C07	FP412BC6	E3D11	WP01CAE6	F3C05	FP411AN2	G3C02	FP823AV2
A3D05#	WP010AA6	A5D13#	FP911CP4	C3D13	FP201BF2	D3C11	FP202AM2	E3D12	WP01JAE4	F3D11	FP202AM2	G3C03	FP823AU6
A3D06#	WP010AB2	A6D02#	WP010AD4	C4B02	FP822AU6	D3C13	FP404AE6	E3D13	WP010AE2	F3D12	FP404AJ6	G3C05	FP824AS6
A3D07#	WP010AB4	A6D04#	WP010AG4	C4B03	FP822AT6	D4D03	FP312BP2	E4B02	FP202AM6	F3D13	FP404AF6	G3C06	FP823AX6
A3D09#	WP010AB6	A6E02#	WP010AD6	C4B04	FP313AR2	D4D04	FP311AE2	E4B03	FP404AV2	F4B02	FP501AF6	G3C07	FP824AF6
A3D10#	WP010AC2	B2B06	FP121SA1	C4B05	FP362BB2	D4C05	FP403A72	E4B04	FP824AS6	F4B04	FP222AG6	G3C11	FP826AN2
A3D11#	WP010AC4	B2C06	FP121SA1	C4B06	FP121AC2	D4D06	FP412AZ6	E4B05	FP221AQ4	F4B09	FP411AF6	G3E13	FP825AH2
A3D12	FP121BA6	B3B02	FP322AH6	C4B09	FP362BE2	D4D12	FP412AC4	E4B07	FP861AR6	F4B13	FP402AF6	G4B02	FP403AN2
A3D13#	WP010AC6	B3B04	FP322AJ6	C4B10	FP365AS4	D5B02	FP404AV2	E4B09	FP861AM2	F4DC2	FP402AL2	G4B04	FP823AE2
A4B02#	FP315AQ6	B3B06	FP121SA3	C4B12	FP821AU6	D5B04	FP411AN2	E4B10	FP404BK6	F4DC3	FP222AF2	G4B05	FP821AT2
A4B03	FP121CA2	B3B08	FP315AW6	C4B13	FP315AY2	D5B05	FP404BK6	E4B11	FP862AL2	F4DC4	FP402AG6	G4B07	FP822AW6
A4B04#	FP315AP6	B3C06	FP121SA3	C4C06	FP121AC2	L5B12	FP314AK6	E4B12	FP404AW6	F4DC6	FP201AH2	G4B08	FP502AS6
A4B05#	FP315AL6	B3D02	FP823AV2	C4D02	FP822AW6	L5B13	FP502AG6	E4B13	FP861AS6	F4DC9	FP202AF6	G4B09	FP311AE2

DATE 05-22-75

PART NO. 2589214

E.C. NO. 577022

VERSION 011

SIZE SINGLE

MACHINE 5203-ATT

LCCATION 01A-B1

PIN ID: #-I/O PIN
*-I/O & LOGIC
V-VOLTAGE/GROUND

NOTE: 'T' FOLLOWING PIN LOCATION INDICATES TERMINATING RESISTOR

PIN	NET NO.	PIN	NET NO.	PIN	NET NO.	PIN	NET NO.	PIN	NET NO.	PIN	NET NO.	PIN	NET NO.
G4B10	FP825AG2	H3B12	FP351AV2	H6C04#	FP315AP6	J4D07	FP304AL6	K3B10	FP345AG2	L2B02	FP501AM6	L4C12	FP404AV2
G4B11	FP823AB6	H3B13	FP351AX2	H6D02#	FP351AX2	J4C09	FP324AJ6	K3B11	FP341AZ6	L2B03	FP501AS2	L5B02	FP221EE2
G4B12	FP313AR2	H3D02	FP823AE2	H6D04#	FP315AL6	J4D10	FP861AY2	K3B12	FP823AS6	L2B04	FP823AG2	L5B03	FP601AN2
G4B13	FP822AU6	H3D03	FP824AP6	H6E02#	FP351AY2	J4D12	FP315AE2	K3B13	FP221AQ4	L2B05	FP502BE6	L5B04	FP601BH6
G4D02	FP403AL2	H3D04	FP824AV2	H6E04#	FP315AS2	J4D13	FP313AG2	K3D02	FP404AJ6	L2B07	WP010AH4	L5B05	FP314AN6
G4D03	FP821AT2	H3D05	FP312BE2	J2B02	WP01JAB2	J5B02	FP323AN6	K3D03	FP312BA6	L2B09	WP010AG6	L5B07	FP402BH2
G4D06	FP306AW2	H3D06	FP623AL2	J2B03	FP313AR6	J5B03	FP311AP6	K3D04	FP501AC6	L2B10	FP801AL2	L5309	FP861AJ6
G4D07	FP312AM6	H3D07	FP713AL2	J2B04	WP010AG4	J5B04	FP315AK2	K3D05	FP623AG6	L2B11	FP502BP6	L5B10	FP601BH2
G4D09	FP825AJ2	H3D09	FP412AV6	J2B05	FP625AJ2	J5B05	FP502AG6	K3D06	FP345AK4	L2B12	FP502AT6	L5B11	FP601BF6
G4D10	FP822AT6	H3D10	FP305BL2	J2B07	FP312BP2	J5B07	FP313AU6	K3D09	FP404AT2	L2B13	FP502BC2	L5B12	FP601BJ2
G4D12	FP825AF2	H3D11	FP351AY2	J2B09	FP311AU2	J5B08	FP311AW6	K3D10	FP404AN6	L2C02	FP404BH6	L5B13	FP502AM6
G4D13	FP404BJ6	H3D12	FP352AW2	J2B10	FP315AY2	J5B09	FP315AL6	K3D11	FP346AL4	L2C03	FP201AH2	L5C02	FP306AW2
G5B02	FP823AG6	H3D13	FP823AE2	J2B11	FP313AK6	J5B10	FP315AP6	K3D12	FP601AN2	L2D04	FP404AE6	L5C03	FP601AV6
G5B03	FP365AU6	H4B02	FP353AU4	J2B12	FP311AE2	J5B11	FP311AA6	K3D13	FP202AK6	L2D09	FP313AR2	L5C04	FP625AY2
G5B04	FP823AG2	H4B03	FP353AU4	J2B13	FP315AX4	J5B12	WP010AB4	K4B02	FP341AC6	L2D06	FP502AM6	L5C05	FP715AY2
G5B05	FP823AS6	H4B04	FP412AD4	J2D02	WP010AC4	J5B13	FP315A *2	K4B03	FP342BE6	L2C07	FP2C2AM2	L5D06	FP601BW2
G5B07	FP824AV2	H4B05	FP352AZ2	J2D03	WP010AA6	J5D02	FP314BC6	K4B04	FP306BD2	L2D09	FP502BH2	L5C07	FP601AL2
G5B09	FP823AN2	H4B07	FP824AN2	J2D04	WP010AB6	J5D03	FP312AZ6	K4B05	FP202BE6	L2C10	FP826AP2	L5C09	FP314AA2
G5B10	FP823AZ4	H4B08	FP823AE2	J2D06	FP404BJ6	J5D04	FP404BK6	K4B07	FP346AU4	L2D11	FP502AU2	L5C10	FP202AN6
G5B12	FP823AP2	H4B09	FP311AJ2	J2D07	FP314AN6	J5C05	FP312AM6	K4B08	FP502EP6	L3B02	FP7C3AX6	L5C11	FP601AL2
G5B13	FP823AM2	H4B10	FP3J5BG2	J2D09	FP402AU4	J5C07	FP502AS6	K4B09	FP344AF2	L3B03	FP315AR6	L5D12	FP342BE6
G5D02	FP701AQ6	H4B11	FP311AU2	J2D10	FP323AP6	J5C09	WP010AC2	K4B10	FP341AU6	L3B04	FP502AC6	L5C13	FP601BU2
G5D03	FP611AQ6	H4B12	FP352AU2	J2D11	FP313AL6	J5D10	FP315A76	K4B11	FP404BM2	L3B05	FP861AT6	L6C02#	FP911CP6
C5D04	FP315AY2	H4B13	FP345AJ4	J2D12	WP010AA2	J5D11	FP402BH2	K4B12	FP811AL2	L3B07	FP344AF2	L6C04#	FP306AU2
G5D05	FP811AL6	H4D02	FP353AU4	J2D13	FP313AM6	J5D12	FP825AH2	K4B13	FP342AS6	L3B08	FP502AG6	L6E02#	FP911CG2
G5D06	FP822AS6	H4D03	FP623AS2	J3B02	FP311AC2	J5D13	FP315AC6	K4D02	FP341AM6	L3B09	FP306BT6	M2B02	FP304AM6
G5D07	FP823AL2	H4D04	FP713AS2	J3B03	FP314BG6	J6A02#	FP351BA2	K4D03	FP304AN6	L3B10	FP861AM2	M2B03	FP501AS2
G5D10	FP402AH2	H4D05	FP322AF6	J3B05	FP312BE2	J6B04#	FP911CR4	K4D04	FP201AH2	L3B11	WP010AK4	M2B04	FP304AN6
G5D11	WP010AH2	H4D06	FP823AN2	J3B07	FP311AH2	J6C02#	FP352AU2	K4D05	FP342AZ4	L3B12	FP502AX2	M2B05	FP305EC6
G5D12	FP402AL2	H4D07	FP322AG6	J3B08	FP304BA2	J6C04#	FP313AM6	K4D06	FP911BD2	L3B13	FP314AA2	M2B07	WP010AF6
G5D13	FP402AF2	H4D09	FP824AM2	J3B09	FP823AE2	J6D02#	FP352AW2	K4D07	FP341AH6	L3D02	FP613AX6	M2B09	FP502BC6
G6A02#	WP010AC6	H4D10	FP311AK2	J3B11	FP315AD6	J6D04#	FP313AL6	K4D09	FP404AF6	L3C03	FP202AN6	M2B10	FP911BF6
G6A04#	WP01CAN2	H4D11	FP352AX2	J3B12	FP502AC6	J6E02#	FP352AX2	K4D10	FP305BC6	L3D04	FP502AS6	M2B11	FP302AX2
H2B04	FP713AE2	H4D12	FP353AY2	J3B13	WP010AA4	K2B02	FP341AW6	K4D11	FP341AP6	L3D05	FP501AU6	M2B12	WP111AF4
H2B05	FP713AB6	H4D13	FP322AH6	J3D02	FP304AZ2	K2B03	FP625BH6	K4D12	FP342AT6	L3C06	FP341AY2	M2B13	WP111AE4
H2B07	FP823AP2	H5B02	FP345AK4	J3D03	FP311AJ2	K2B05	FP826AN2	K4D13	FP341AR6	L3C07	FP501AC6	M2C02	FP303BJ6
H2B09	FP353AU4	H5B03	FP824AM2	J3D05	FP404BP2	K2B07	FP201BF2	K5B02	FP201BD6	L3D09	FP221AC2	M2C03	FP321EG6
H2B10	FP346AU4	H5B04	FP824AM2	J3D06	FP402AK4	K2B09	FP313AR2	K5B03	FP314AN6	L3D10	FP202AH6	M2D04	FP311AG2
H2B11	FP346AK4	H5B05	FP623AP2	J3D07	FP402AF6	K2B10	FP502AU2	K5B04	FP911BN4	L3D11	FP306AC6	M2D05	FP321BF6
H2B12	FP911BG6	H5B07	FP412AM6	J3D09	FP314AA6	K2B11	FP311A *2	K5B05	FP911BD4	L3C12	FP403BG6	M2C06	WP010AJ4
H2B13	FP313AC2	H5B08	FP713AP2	J3D10	FP341AW6	K2B12	FP502AX2	K5B07	FP341AW2	L3D13	FP314AN6	M2C07	FP306AV2
H2C02	FP623AE2	H5B09	FP713AN2	J3D11	FP312BA6	K2B13	FP402AG6	K5B08	FP201BB6	L4B02	FP402BH2	M2C09	FP404EP2
H2C03	FP412AZ6	H5B10	FP312AM2	J3D12	FP315AR6	K2C02	FP403BJ2	K5B09	FP201AK2	L4B03	FP861AS6	M2C10	FP311AH2
H2D04	FP623AB6	H5B11	FP313AG2	J3D13	WP01GAC6	K2C03	FP911BD6	K5B10	FP344CG6	L4B04	FP201AF2	M2C11	FP306EC6
H2D05	FP412BC6	H5B12	FP323AM6	J4B02	FP823AU6	K2D04	FP501AL6	K5B11	FP823AU6	L4B05	FP404AH6	M2C12	WP010AK6
H2D06	FP322AM6	H5B13	FP624BB6	J4B03	FP314AK6	K2D05	FP715PM6	K5B12	FP311AH2	L4B07	FP502AM6	M2C13	FP311AP6
H2D07	FP346AL4	H5D02	FP345AH4	J4B04	FP311AK2	K2D06	FP613AW6	K5B13	FP343AU2	L4B09	FP404AT2	M3B03	WP010AM4
H2D09	FP322AN6	H5D03	FP322AJ6	J4B05	FP314AA2	K2D07	FP703AW6	K5D02	FP911BN6	L4B10	FP824AS6	M3B04	WP010AL6
H2D10	FP353AU4	H5D04	FP823AE2	J4B07	FP311AA2	K2D09	FP502AM6	K5D03	FP911BN2	L4B11	FP202AM2	M3B05	WP010AN6
H2D11	FP823AM2	H5D05	FP345AG2	J4B08	FP801AT2	K2C10	FP202AM6	K5D04	FP311AB2	L4B12	FP823AB6	M3B08	FP304AZ2
H2D12	FP346AJ4	H5D06	FP412AH6	J4B09	FP321AC2	K2D11	FP302BG6	K5D05	FP404BN2	L4B13	FP823AZ4	M3B09	FP715BL6
H2D13	FP315AZ6	H5D07	FP623AN2	J4B10	FP311AW2	K2D12	FP911BE4	K5D06	FP404AW6	L4D02	FP404BK6	M3B10	FP625BL6
H3B02	FP322AK6	H5D09	FP315AE2	J4B11	FP311AB2	K2C13	FP312AZ6	K5D07	FP911BM6	L4D03	FP801AU2	M3B11	FP306AC6
H3B04	FP322AL6	H5D10	FP302AX2	J4B12	FP313AC2	K3B02	FP312BP2	K5D09	FP911BE6	L4D04	FP802AB2	M3B12	FP306AU6
H3B05	FP823AL2	H5D11	FP714BB6	J4B13	FP311AS6	K3B03	FP346AK4	K5D10	FP341AY2	L4D05	FP502BP6	M3B13	FP202EC6
H3B07	FP412AR6	H5D12	FP323AN6	J4D02	FP312AM2	K3B04	FP346AJ4	K5D12	FP314BC6	L4D06	FP402AL4	M3C02	FP502AU2
H3B08	FP623AH2	H5D13	FP315AD6	J4D03	FP824AP2	K3B05	FP201BF2	K5D13	FP202AH6	L4D07	FP311AB2	M3C03	FP323AT2
H3B09	FP713AH2	H6A02#	FP353AY2	J4D04	FP313AR2	K3B07	FP345AH4	K6A04#	FP313AK6	L4D09	FP502BF2	M3C04	FP624EC6
H3B10	FP351BA2	H6A04#	FP315AQ6	J4D05	FP343AU2	K3B08	FP313AU6	K6B02#	FP352AZ2	L4D10	FP312BP2	M3C05	FP714EC6
H3B11	FP353AU4	H6B02#	FP351AV2	J4D06	FP301AA2	K3B09	FP345AJ4	K6B04#	FP911CR6	L4D11	FP801AT2	M3C06	WP010AM2

DATE 05-22-75

MST-1

BOARD DISCRETE WIRE EQUIVALENT LIST SEQUENCED BY PIN NUMBER

PAGE 3

PART NO. 2589214 E.C. NO. 577022 VERSIGN 011 SIZE SINGLE MACHINE 5203-ATT LCCATIGN 01A-E1

PIN ID: #-I/O PIN
*-I/O & LOGIC
V-VOLTAGE/GROUND

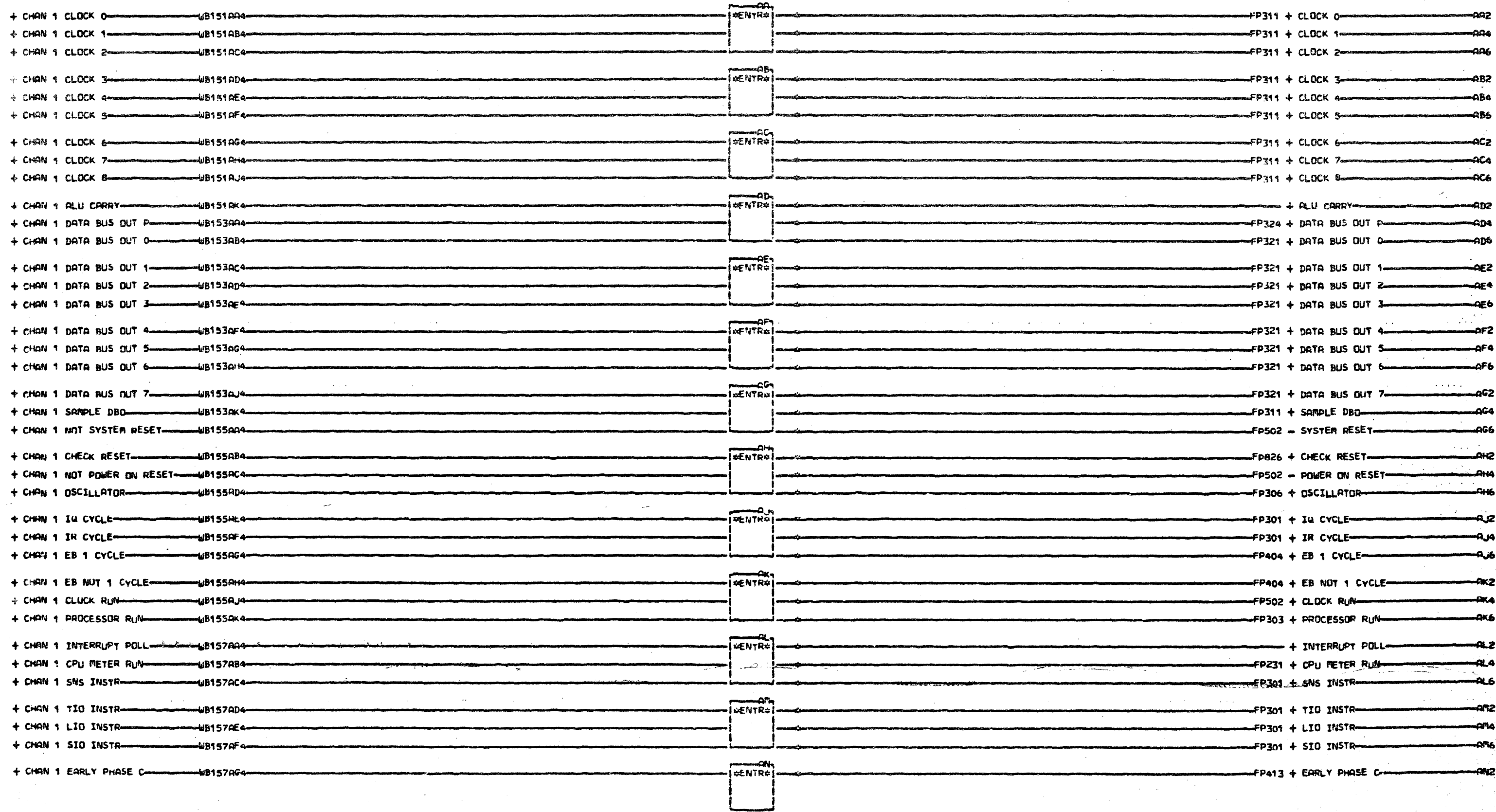
NOTE: *T* FOLLOWING PIN LOCATION INDICATES TERMINATING RESISTOR

Table with 14 columns: PIN, NET NO., PIN, NET NO., PIN, NET NO., PIN, NET NO., PIN, NET NO., PIN, NET NO., PIN, NET NO. It lists various component part numbers and their corresponding net numbers in a grid format.

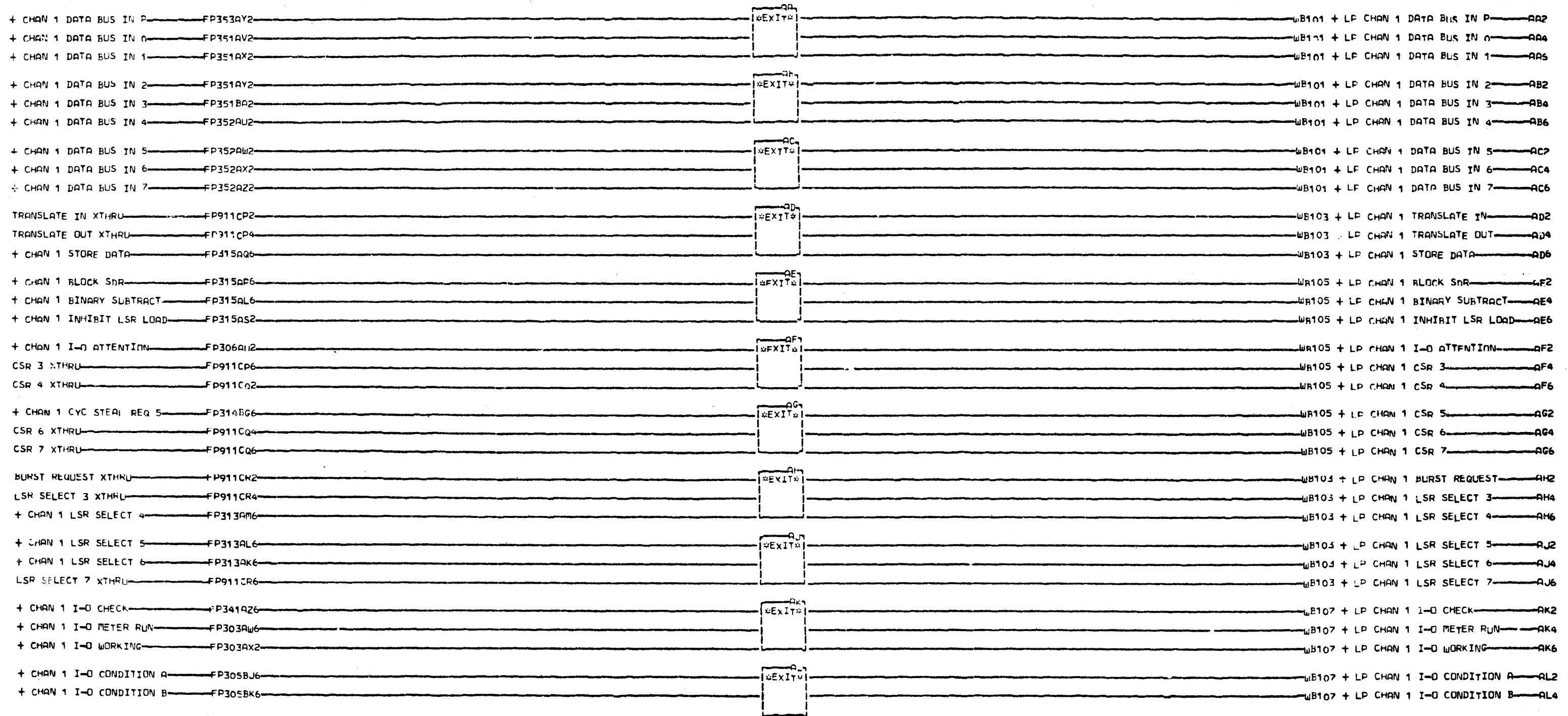
PART NO.	2589214	E.C. NO.	577022	VERSION 011	SIZE SINGLE	MACHINE 5203-ATT	LOCATION 01A-B1
P6C05	GND	Q1A13	GND	Q1B11	VOLTAGE PINS	Q1E13	GND
Q3D08	GND	Q4D08	GND	Q5C08	GND	Q6AC4	GND
Q6E04	GND	R1A11	GND	R1C13	GND	R1E11	GND
R3D08	GND	R4D08	GND	R5D08	GND	R6A02	GND
R6E02	GND	S1C10	GND	S1D13	GND	S2D08	GND
S4D08	GND	S5D08	GND	S6C02	GND	S6DC5	GND
T1C11	GND	T2C03	GND	T2C04	GND	T2C07	GND
T2C12	GND	T2D08	GND	T3C03	GND	T3C04	GND
T3C11	GND	T3C12	GND	T3D08	GND	T4C03	GND
T4C07	GND	T4C11	GND	T4C12	GND	T4DC8	GND
T5C04	GND	T5C07	GND	T5C11	GND	T5C12	GND
T6B04	GND	T6C02	GND	U1A13	GND	U1B11	GND
U2C03	GND	U2C04	GND	U2C07	GND	U2C11	GND
U2D08	GND	U2E14	GND	U3A01	GND	U3C03	GND
U3C07	GND	U3C11	GND	U3C12	GND	U3D08	GND
U4A01	GND	U4C03	GND	U4C04	GND	U4C07	GND
U4C12	GND	U4D08	GND	U4E14	GND	U5AC1	GND
U5C04	GND	U5C07	GND	U5C11	GND	U5C12	GND
U6A04	GND	U6B02	GND	U6E04	GND	V1A11	GND
V2C04	GND	V2C07	GND	V2C11	GND	V2C12	GND
V3C03	GND	V3C04	GND	V3C07	GND	V3C11	GND
V3D08	GND	V4C03	GND	V4C04	GND	V4C07	GND
V4C12	GND	V4D08	GND	V5C03	GND	V5C04	GND
V5C11	GND	V5C12	GND	V5D08	GND	V6A02	GND
						Q2D08	GND
						Q6B02	GND
						R2C08	GND
						R6D04	GND
						S3D08	GND
						T1B13	GND
						T2C11	GND
						T3C07	GND
						T4C04	GND
						T5C03	GND
						T5D08	GND
						U1E13	GND
						U2C12	GND
						U3C04	GND
						U3E14	GND
						U4C11	GND
						U5C03	GND
						U5DC8	GND
						V2C03	GND
						V2D08	GND
						V3C12	GND
						V4C11	GND
						V5C07	GND

FOR ANY VOLTAGE PIN NOT INDICATED IN THE VOLTAGE PIN LIST, USE THE NET NUMBER TO LOCATE THE AID PAGE FOR DETERMINING THE VOLTAGE INFORMATION

END OF LIST



LOC.	TYPE
AA2 A-B1D6E02	01A-B1A3D07
01A-B1A3D02	AB6 A-B1F6B02
AA4 A-B1E6A02	01A-B1A3D09
01A-B1A3D03	AC2 A-B1F6C02
AA6 A-B1E6C02	01A-B1A3D10
01A-B1A3D05	AC4 A-B1F6D02
AB2 A-B1E6D02	01A-B1A3D11
01A-B1A3D06	AC6 A-B1G6A02
ABA A-B1E6E02	01A-B1A3D13
AD2 A-B1D6E04	01A-B1A2D06
01A-B1A2D02	AG2 A-B1C6E02
AE6 A-B1E6D02	01A-B1A2D13
01A-B1A2D07	AG4 A-B1A6D04
AF2 A-B1C6A02	01A-B1A2B02
01A-B1A2D09	AG6 A-B1E6D04
01A-B1C6B02	01A-B1A2B06
01A-B1A2D10	AH2 A-B1F6A04
01A-B1A2D11	AH4 A-B1F6B04
01A-B1A2D06	AK2 A-B1E6E04
01A-B1A2B08	01A-B1A2B08
01A-B1A2B04	AK4 A-B1F6C04
01A-B1A2B02	AK6 A-B1E6E04
01A-B1A2B04	AM2 A-B1C6B04
01A-B1A2B06	AM4 A-B1C6D04
01A-B1A2B08	AM6 A-B1C6E04
01A-B1A2B10	AN2 A-B1G6A04
01A-B1A2B12	01A-B1A2B13
01A-B1A2B14	
01A-B1A2B16	
01A-B1A2B18	
01A-B1A2B20	
01A-B1A2B22	
01A-B1A2B24	
01A-B1A2B26	
01A-B1A2B28	
01A-B1A2B30	
01A-B1A2B32	
01A-B1A2B34	
01A-B1A2B36	
01A-B1A2B38	
01A-B1A2B40	
01A-B1A2B42	
01A-B1A2B44	
01A-B1A2B46	
01A-B1A2B48	
01A-B1A2B50	
01A-B1A2B52	
01A-B1A2B54	
01A-B1A2B56	
01A-B1A2B58	
01A-B1A2B60	
01A-B1A2B62	
01A-B1A2B64	
01A-B1A2B66	
01A-B1A2B68	
01A-B1A2B70	
01A-B1A2B72	
01A-B1A2B74	
01A-B1A2B76	
01A-B1A2B78	
01A-B1A2B80	
01A-B1A2B82	
01A-B1A2B84	
01A-B1A2B86	
01A-B1A2B88	
01A-B1A2B90	
01A-B1A2B92	
01A-B1A2B94	
01A-B1A2B96	
01A-B1A2B98	
01A-B1A2C00	
01A-B1A2C02	
01A-B1A2C04	
01A-B1A2C06	
01A-B1A2C08	
01A-B1A2C10	
01A-B1A2C12	
01A-B1A2C14	
01A-B1A2C16	
01A-B1A2C18	
01A-B1A2C20	
01A-B1A2C22	
01A-B1A2C24	
01A-B1A2C26	
01A-B1A2C28	
01A-B1A2C30	
01A-B1A2C32	
01A-B1A2C34	
01A-B1A2C36	
01A-B1A2C38	
01A-B1A2C40	
01A-B1A2C42	
01A-B1A2C44	
01A-B1A2C46	
01A-B1A2C48	
01A-B1A2C50	
01A-B1A2C52	
01A-B1A2C54	
01A-B1A2C56	
01A-B1A2C58	
01A-B1A2C60	
01A-B1A2C62	
01A-B1A2C64	
01A-B1A2C66	
01A-B1A2C68	
01A-B1A2C70	
01A-B1A2C72	
01A-B1A2C74	
01A-B1A2C76	
01A-B1A2C78	
01A-B1A2C80	
01A-B1A2C82	
01A-B1A2C84	
01A-B1A2C86	
01A-B1A2C88	
01A-B1A2C90	
01A-B1A2C92	
01A-B1A2C94	
01A-B1A2C96	
01A-B1A2C98	
01A-B1A2D00	
01A-B1A2D02	
01A-B1A2D04	
01A-B1A2D06	
01A-B1A2D08	
01A-B1A2D10	
01A-B1A2D12	
01A-B1A2D14	
01A-B1A2D16	
01A-B1A2D18	
01A-B1A2D20	
01A-B1A2D22	
01A-B1A2D24	
01A-B1A2D26	
01A-B1A2D28	
01A-B1A2D30	
01A-B1A2D32	
01A-B1A2D34	
01A-B1A2D36	
01A-B1A2D38	
01A-B1A2D40	
01A-B1A2D42	
01A-B1A2D44	
01A-B1A2D46	
01A-B1A2D48	
01A-B1A2D50	
01A-B1A2D52	
01A-B1A2D54	
01A-B1A2D56	
01A-B1A2D58	
01A-B1A2D60	
01A-B1A2D62	
01A-B1A2D64	
01A-B1A2D66	
01A-B1A2D68	
01A-B1A2D70	
01A-B1A2D72	
01A-B1A2D74	
01A-B1A2D76	
01A-B1A2D78	
01A-B1A2D80	
01A-B1A2D82	
01A-B1A2D84	
01A-B1A2D86	
01A-B1A2D88	
01A-B1A2D90	
01A-B1A2D92	
01A-B1A2D94	
01A-B1A2D96	
01A-B1A2D98	
01A-B1A2E00	
01A-B1A2E02	
01A-B1A2E04	
01A-B1A2E06	
01A-B1A2E08	
01A-B1A2E10	
01A-B1A2E12	
01A-B1A2E14	
01A-B1A2E16	
01A-B1A2E18	
01A-B1A2E20	
01A-B1A2E22	
01A-B1A2E24	
01A-B1A2E26	
01A-B1A2E28	
01A-B1A2E30	
01A-B1A2E32	
01A-B1A2E34	
01A-B1A2E36	
01A-B1A2E38	
01A-B1A2E40	
01A-B1A2E42	
01A-B1A2E44	
01A-B1A2E46	
01A-B1A2E48	
01A-B1A2E50	
01A-B1A2E52	
01A-B1A2E54	
01A-B1A2E56	
01A-B1A2E58	
01A-B1A2E60	
01A-B1A2E62	
01A-B1A2E64	
01A-B1A2E66	
01A-B1A2E68	
01A-B1A2E70	
01A-B1A2E72	
01A-B1A2E74	
01A-B1A2E76	
01A-B1A2E78	
01A-B1A2E80	
01A-B1A2E82	
01A-B1A2E84	
01A-B1A2E86	
01A-B1A2E88	
01A-B1A2E90	
01A-B1A2E92	
01A-B1A2E94	
01A-B1A2E96	
01A-B1A2E98	
01A-B1A2F00	
01A-B1A2F02	
01A-B1A2F04	
01A-B1A2F06	
01A-B1A2F08	
01A-B1A2F10	
01A-B1A2F12	
01A-B1A2F14	
01A-B1A2F16	
01A-B1A2F18	
01A-B1A2F20	
01A-B1A2F22	
01A-B1A2F24	
01A-B1A2F26	
01A-B1A2F28	
01A-B1A2F30	
01A-B1A2F32	
01A-B1A2F34	
01A-B1A2F36	
01A-B1A2F38	
01A-B1A2F40	
01A-B1A2F42	
01A-B1A2F44	
01A-B1A2F46	
01A-B1A2F48	
01A-B1A2F50	
01A-B1A2F52	
01A-B1A2F54	
01A-B1A2F56	
01A-B1A2F58	
01A-B1A2F60	
01A-B1A2F62	
01A-B1A2F64	
01A-B1A2F66	
01A-B1A2F68	
01A-B1A2F70	
01A-B1A2F72	
01A-B1A2F74	
01A-B1A2F76	
01A-B1A2F78	
01A-B1A2F80	
01A-B1A2F82	
01A-B1A2F84	
01A-B1A2F86	
01A-B1A2F88	
01A-B1A2F90	
01A-B1A2F92	
01A-B1A2F94	
01A-B1A2F96	
01A-B1A2F98	
01A-B1A3000	
01A-B1A3002	
01A-B1A3004	
01A-B1A3006	
01A-B1A3008	
01A-B1A3010	
01A-B1A3012	
01A-B1A3014	
01A-B1A3016	
01A-B1A3018	
01A-B1A3020	
01A-B1A3022	
01A-B1A3024	
01A-B1A3026	
01A-B1A3028	
01A-B1A3030	
01A-B1A3032	
01A-B1A3034	
01A-B1A3036	
01A-B1A3038	
01A-B1A3040	
01A-B1A3042	
01A-B1A3044	
01A-B1A3046	
01A-B1A3048	
01A-B1A3050	
01A-B1A3052	
01A-B1A3054	
01A-B1A3056	
01A-B1A3058	
01A-B1A3060	
01A-B1A3062	
01A-B1A3064	
01A-B1A3066	
01A-B1A3068	
01A-B1A3070	
01A-B1A3072	
01A-B1A3074	
01A-B1A3076	
01A-B1A3078	
01A-B1A3080	
01A-B1A3082	
01A-B1A3084	
01A-B1A3086	
01A-B1A3088	
01A-B1A3090	
01A-B1A3092	
01A-B1A3094	
01A-B1A3096	
01A-B1A3098	
01A-B1A3100	
01A-B1A3102	
01A-B1A3104	
01A-B1A3106	
01A-B1A3108	
01A-B1A3110	
01A-B1A3112	
01A-B1A3114	
01A-B1A3116	
01A-B1A3118	
01A-B1A3120	
01A-B1A3122	
01A-B1A3124	
01A-B1A3126	
01A-B1A3128	
01A-B1A3130	
01A-B1A3132	
01A-B1A3134	
01A-B1A3136	
01A-B1A3138	
01A-B1A3140	
01A-B1A3142	
01A-B1A3144	
01A-B1A3146	
01A-B1A3148	
01A-B1A3150	
01A-B1A3152	
01A-B1A3154	
01A-B1A3156	
01A-B1A3158	
01A-B1A3160	
01A-B1A3162	
01A-B1A3164	
01A-B1A3166	
01A-B1A3168	
01A-B1A3170	
01A-B1A3172	
01A-B1A3174	
01A-B1A3176	
01A-B1A3178	
01A-B1A3180	
01A-B1A3182	
01A-B1A3184	
01A-B1A3186	
01A-B1A3188	
01A-B1A3190	
01A-B1A3192	
01A-B1A3194	
01A-B1A3196	
01A-B1A3198	
01A-B1A3200	
01A-B1A3202	
01A-B1A3204	
01A-B1A3206	
01A-B1A3208	
01A-B1A3210	
01A-B1A3212	
01A-B1A3214	
01A-B1A3216	
01A-B1A3218	
01A-B1A3220	
01A-B1A3222	
01A-B1A3224	
01A-B1A3226	
01A-B1A3228	
01A-B1A3230	
01A-B1A3232	
01A-B1A3234	
01A-B1A3236	
01A-B1A3238	
01A-B1A3240	
01A-B1A3242	
01A-B1A3244	
01A-B1A3246	
01A-B1A3248	
01A-B1A3250	
01A-B1A3252	
01A-B1A3254	
01A-B1A3256	
01A-B1A3258	
01A-B1A3260	
01A-B1A3262	
01A-B1A3264	
01A-B1A3266	
01A-B1A3268	
01A-B1A3270	
01A-B1A3272	
01A-B1A3274	
01A-B1A3276	
01A-B1A3278	
01A-B1A3280	
01A-B1A3282	
01A-B1A3284	
01A-B1A3286	
01A-B1A3288	
01A-B1A3290	
01A-B1A3292	
01A-B1A3294	
01A-B1A3296	
01A-B1A3298</	

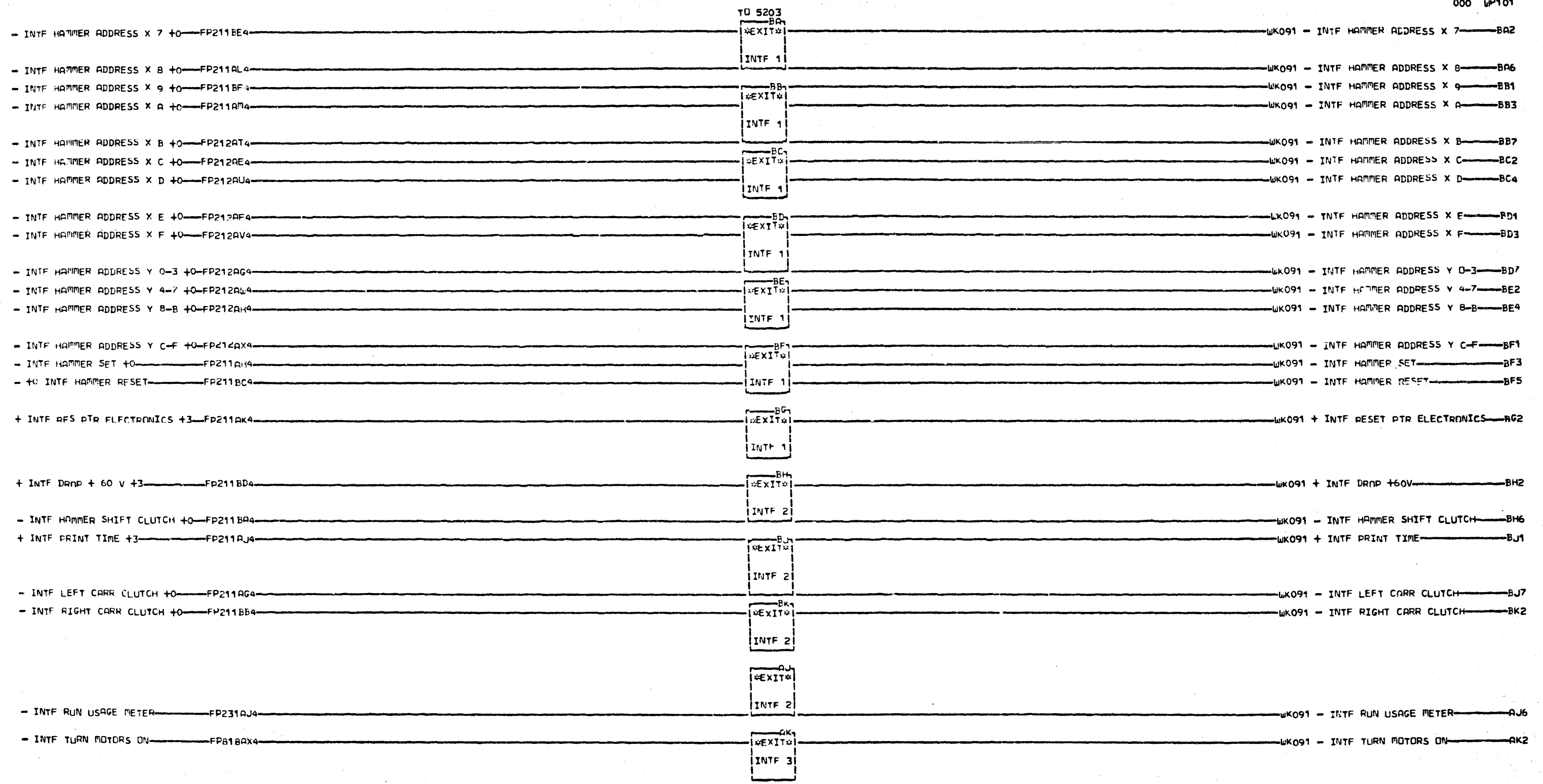


W
P
O
1
5

000

LOC. TYPE

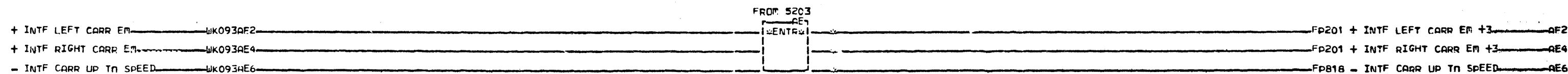
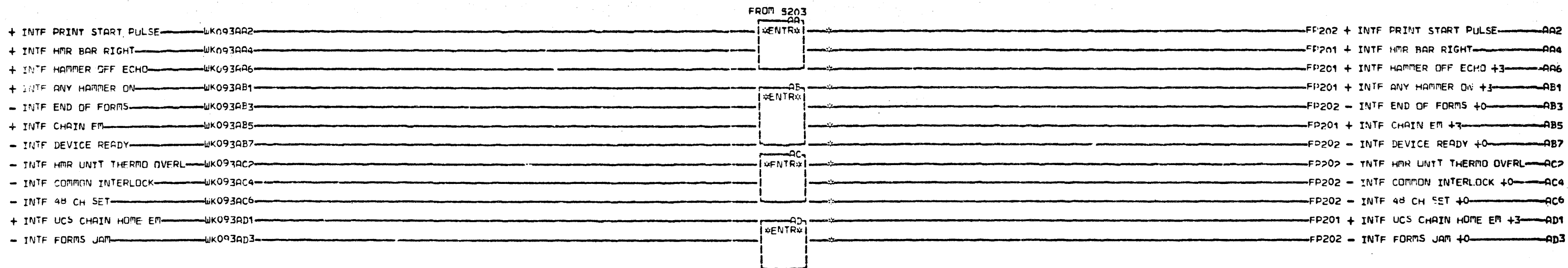
INTERFACE EXIT PAGE		W
5203 ATTACHMENT TO CHANNEL		P
E.C. HISTORY	MACH. 5203 ATT	0
818912	FRAME 01	1
	IBM CORP. SDD	5
DATE LAST EC	P.N. 2589191	000
107-16-71 818671		



WP
101
000

LOC. TYPE

INTERFACE ATTACHMENT EXIT			
E.C. HISTORY	R. MACH. 5203-ATT	WP	1
818912		01	0
	FRAME	IBN CORP. SDD	1
DATE	LAST EC	P.N. 2589192	000
107-16-71	818671		



000
1
2
1

AA2	A-B1V4B06	AC6	T-B1V4D09
AA4	A-B1V4B08	AD1	T-B1V4D10
AA6	A-B1V4B09	AD3	T-B1V4D11
AB1	A-B1V4B10	AE2	T-B1V3B13
AB3	A-B1V4B12	AE4	T-B1V3D02
AB5	A-B1V4D03	AE6	T-B1V2D09
AB7	A-B1V4D05		
AC2	A-B1V4D06		
AC4	A-B1V4D07		

LOC. TYPE

INTERFACE ATTACHMENT ENTER	
E.C. HISTORY 818912	R. MACH. 5203-ATT FRAME 01
DATE 07-16-71	LAST EC 818671
	IBM CORP. SDD P.N. 2589194

000
1
2
1

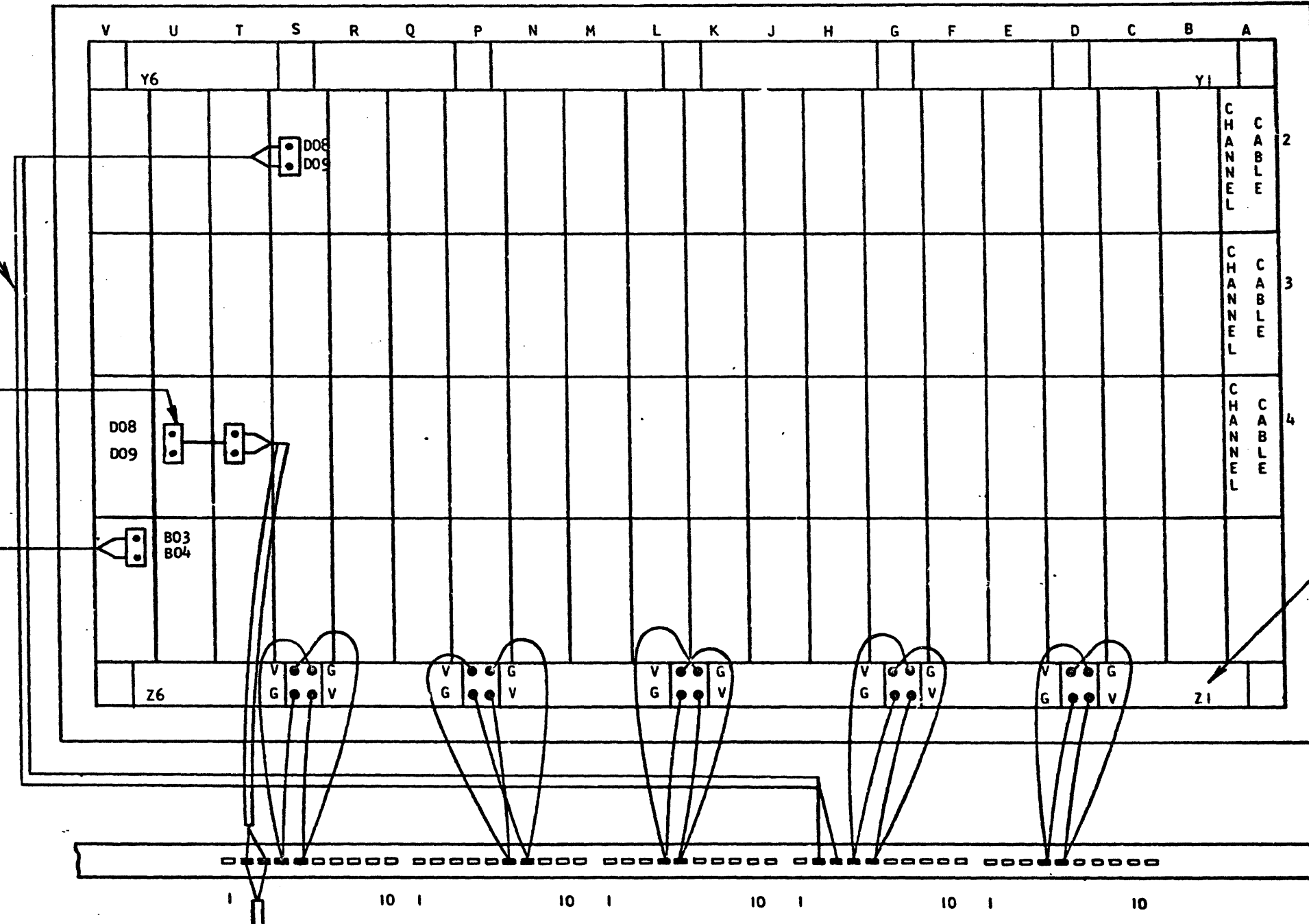
PIN SIDE VIEW

POSITION	CABLE	P/N
V2	2588024	
V3	2588024	
V4	2588024	
V5	2588023	

2454543 CABLE
NOTE 1

2454784 CABLE
NOTE 1.3

2588688 CABLE
2775653 CABLE
NOTE 1



B06 -4VOLTS
B08 REF
D08 GND

NOTE 2

NOTES

- 1 LOCATORS PIN 2588063 TO BE LOCATED UNDER ALL MINIBUS CONNECTION POSITIONS
- 2 CROSSOVER CABLES PLUG IN POSITIONS Z1-Z4
- 3 U04 POSITION NOT USED ON 5203 ATTACHMENT BOARD

EC HISTORY		DRAWING TITLE	
01 MAR 76	827876	CONNECTOR CHART BOARD 01A-B1	
		MACH 5203 ATTACHMENT	
		PART NO 4248383	
C		CLASSIFICATION	
		H&M	2/27/76
		IBM CORP	

Z
A
1
2
1