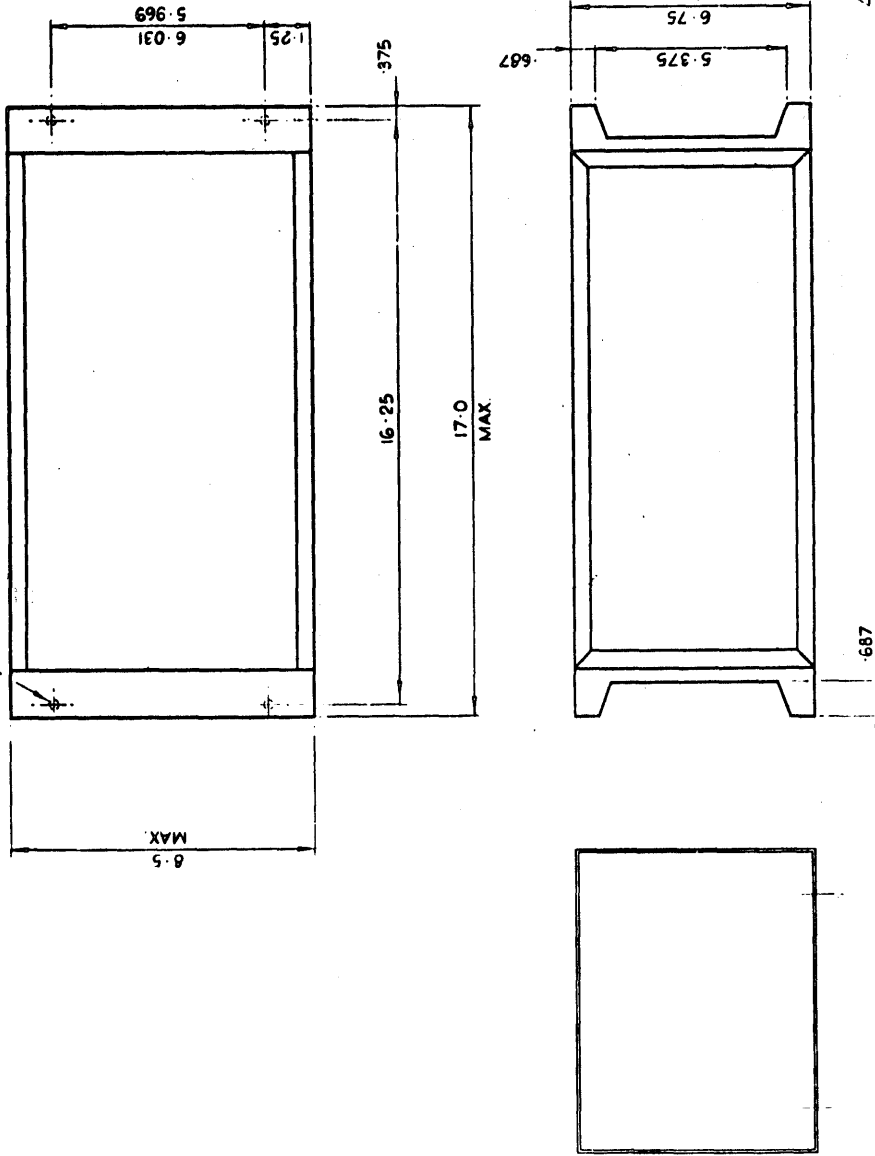


CHANGES

ISS.

2	7343	6	6-65
3	7796	11/64	8-65

4 HOLES
29 DIA.



③ FERDEX COVER OVER TERMINALS HOLES TO ALLOW ACCESS TO TERMINAL SCREWS

TAG STRIP CINCIN 4-141-Y

ALL FUSES, SWITCHES, ETC. TO BE KEPT WITHIN SHADED AREA & PROTECTED BY FLANGED PANEL

③ ATTACH LABELLED LETTERS ON WHITE GROUND AS SHOWN

ISSUE	2	2	2	2	2	2	2	2	2	2	2	2	2	2	2	2	2	2	2	
SHEET	1	2	3	4	5	6	7	8	9	10	11	12	13	14	15	16	17	18	19	20

ISSUE NUMBERS OF OTHER SHEETS AT THE TIME OF ISSUING THIS SHEET.

ISSUE SHEET

889989 / 3 ASSEMBLY

POWER SUPPLY -6V



DRAWN BY *lpr/mj*

DATE 17 5 65

NOTES

6 May 65

ITEM No.	ISSUE No. IN OUT	PART No.	QTY	DESCRIPTION	ITEM No.	ISSUE No. IN OUT	PART No.	QTY	DESCRIPTION
----------	---------------------	----------	-----	-------------	----------	---------------------	----------	-----	-------------

2 1 1110112 D TECH SPEC

1 1 2 CHANGES 7343
 3 1 2 5000261 D 7343
 2 5000254 D 7343
 ADDED

	POWER SUPPLY	889980/2	2	ISSUE	2	2	2	2	2	2	2	2	2	2	2	2	2	2	2	2
	ASSEMBLY		ISSUE SHEET	ISSUE SHEET	ISSUE SHEET	ISSUE SHEET	ISSUE SHEET	ISSUE SHEET	ISSUE SHEET	ISSUE SHEET	ISSUE SHEET	ISSUE SHEET	ISSUE SHEET	ISSUE SHEET	ISSUE SHEET	ISSUE SHEET	ISSUE SHEET	ISSUE SHEET	ISSUE SHEET	ISSUE SHEET

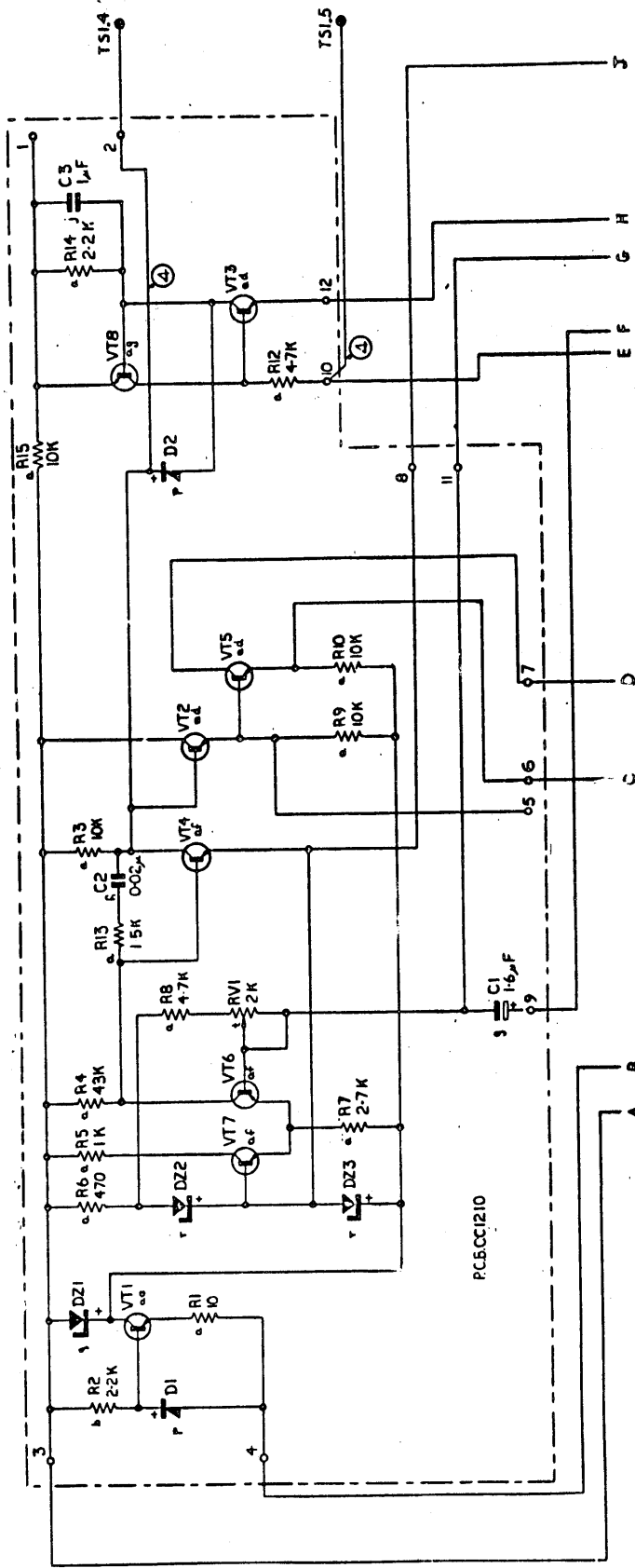
DRN. TO 790110
 PROX. STD. SHEET 790110
 DRA. TO SHEET 790110

AT THE TIME OF ISS. THIS SHI.
 OTHER SHEETS OF OTHER SHEETS. AT THE TIME OF ISS. THIS SHI.

ISS

CHANGES -

- 2 7343 6-65
- 4 DELETED CONN. BETWEEN PBC 242L-SIDE C3 7/5 8-65



1	2	3	4	5	6	7	8	9	10	11	12	13	14	15	16	17	18	19	20	21	22	23	24	25	26	27	28	29	30
DRAWN TO ISSUE																													
PROV. STD SHEET																													
7902101																													
ISSUE NUMBER OF ORIGINAL SHEET AND THE NAME OF ISSUING FIRM SHEET																													

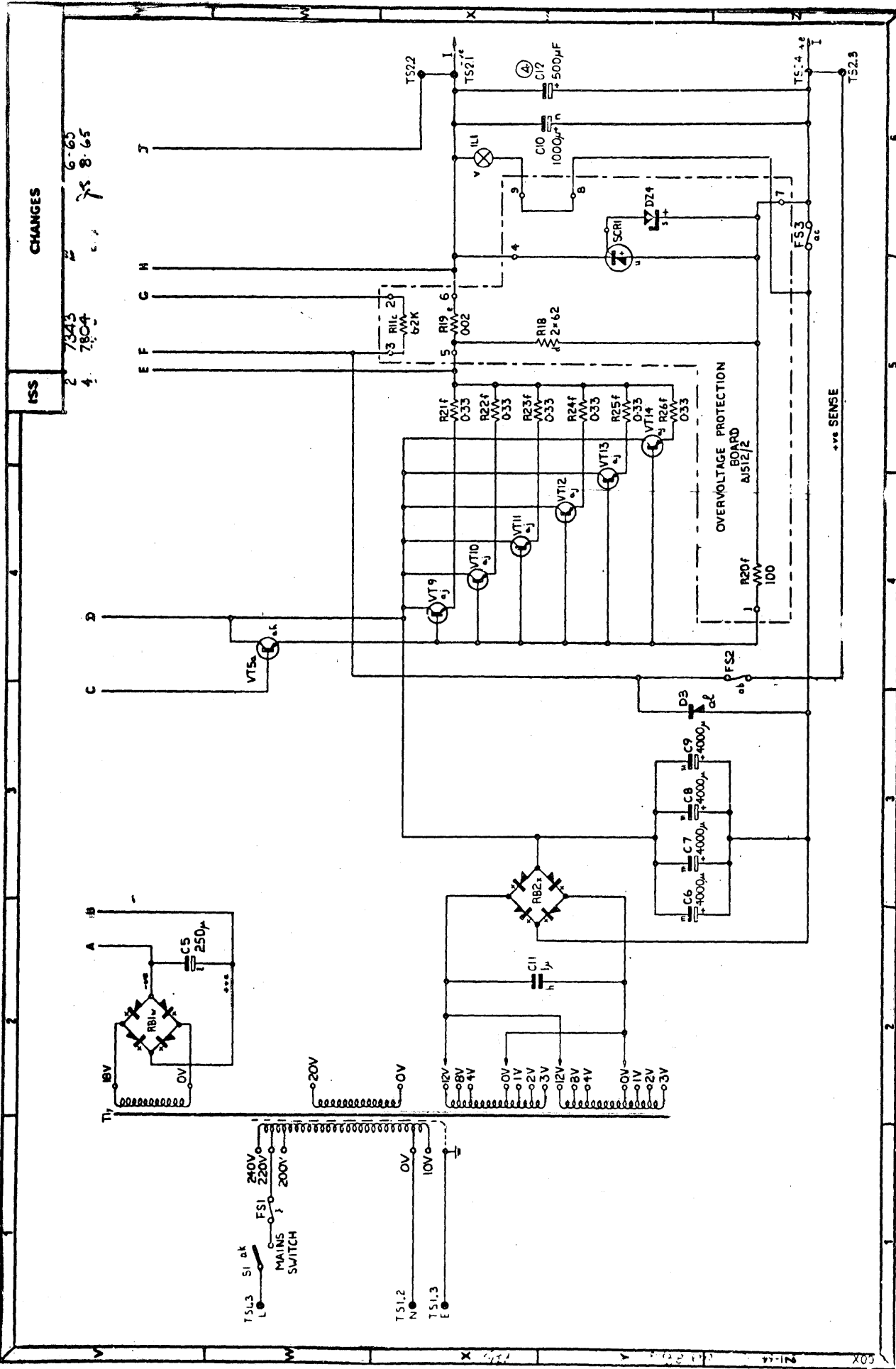
889989 / 4 3

ISSUE SHEET

POWER SUPPLY - 6V.
BELIX



DIAGRAM



ISS

CHANGES

2	7343	6-65
3	7804	7-8-65

POWER SUPPLY - 6V BELIX	DIAGRAM	ISSUE SHEET	4 / 4	889989	4	7902101	PROV. STD SHEET	ISSUE	3 2 4 4	DRAWN TO																		
ISSUE NUMBERS OF OTHER SHEETS AT THE TIME OF ISSUING THIS SHEET																												
1	2	3	4	5	6	7	8	9	10	11	12	13	14	15	16	17	18	19	20	21	22	23	24	25	26	27	28	29



ITEM No.	CCT. REF.	ITEM No.	CCT. REF.	ITEM No.	ISSUE No. IN/OUT	PART No.	C A QTY.	DESCRIPTION	ITEM No.	ISSUE No. IN/OUT	PART No.	C A QTY.	DESCRIPTION
11	C1	33	R7	11	4	5011535	E	CAP 1.6	31	2	5007514	E	RES 1K
12	C2	34	R8, 12	12	2	5007501	E	CAP 0.02	32	2	5007515	E	RES 470
13	C3	35	R11	13	2	5007502	E	CAP 1.0	33	2	5007516	E	RES 2.7K
14	C4	36	R13	14	2	5007503	E	CAP 5.0	34	2	811488	O	RES 4.7K
15	C5	37	R14	15	2	5007505	E	CAP 250	35	2	5010884	E	RES 6.2K
16	C6, 7, 8, 9	38	R18	16	2	5007590	E	CAP 1000	36	2	811489	O	RES 1.5K
17	C10	39	R19	17	2	5010860	E	CAP 1000	37	2	5007518	E	RES 2.2K
18	C11	40	R20	18	2	7700374	O	CAP 1	38	2	5010879	E	RES 62
19	D1, 2, 3	41	R21, 22, 23, 24, 25, 26	19	2	5007507	E	DIODE	39	2	5010878	E	RES 0.04
20	DZ 1	42	RB1	20	2	5007508	E	ZEN DIODE	40	2	5010880	E	RES 100
21	DZ 2, 3	43	RB2	21	2	5007509	E	ZEN DIODE	41	2	5008071	O	RES 0.53
22	DZ4	44	RV1	22	2	868429	O	FUSE 2A	42	2	5007524	E	RECTIFIER
23	FS1	45	S1	23	2	5007598	E	FUSE 0.1A	43	2	5007589	E	RECTIFIER
24	FS2	46	SCR1	24	2	5010862	E	FUSE 10A	44	4	5011534	E	POT 2K
25	FS3	47	T1	25	2	774452	O	LAMP 0V	45	2	5010869	E	SWITCH
26	1L1	48	VT1	26	2	875618	O	RES 10	46	2	5010885	E	RECTIFIER
27	R1	49	CT 2, 3, 5	27	2	888341	O	RES 2.2K	47	2	5007588	E	TRANSFORMER
28	R2	50	VT 4, 6, 7	28	2	5007512	E	RES 10K	48	2	879857	O	TRANSISTOR
29	R3, 9, 10, 15, 16	51	VT8	29	2	5007513	E	RES 45K	49	2	5004633	O	TRANSISTOR
30	R4	52	VT9, 10, 11, 12, 13, 14	30	2				50	2	5007527	E	TRANSISTOR
31	R5	53	CT12	31	2				51	2	861772	O	TRANSISTOR
32	R6	54		32	2				52	2	5007528	E	TRANSISTOR
									53	4	5011536	E	TRANSISTOR
									54	4	5011533	E	CAP 500

NOTE :-
For Guidance only - components designated as spares.

POWER SUPPLY	889939	ISSUE	4	DRN TO	ISSUE	3 2 4 4
	BELIX	ASSEMBLY		PROV STD	SHEET	1 2 3 4 5 6 7 8 9 10 11 12 13 14 15 16 17 18 19 20

