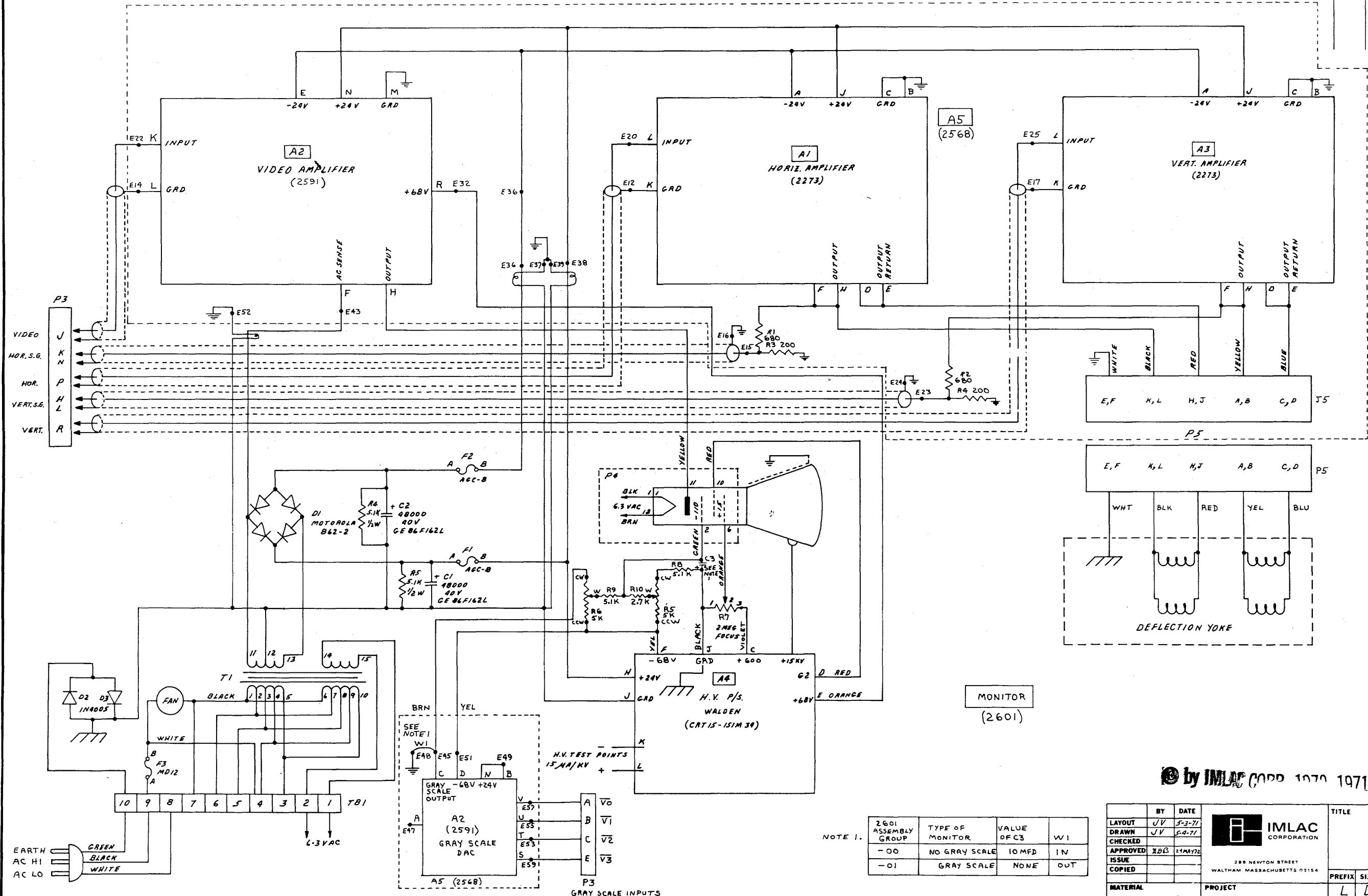


REV	ECN	DATE	DTM	APP'D



by IMLAC CORP 1970 1971 1972

NOTE 1.

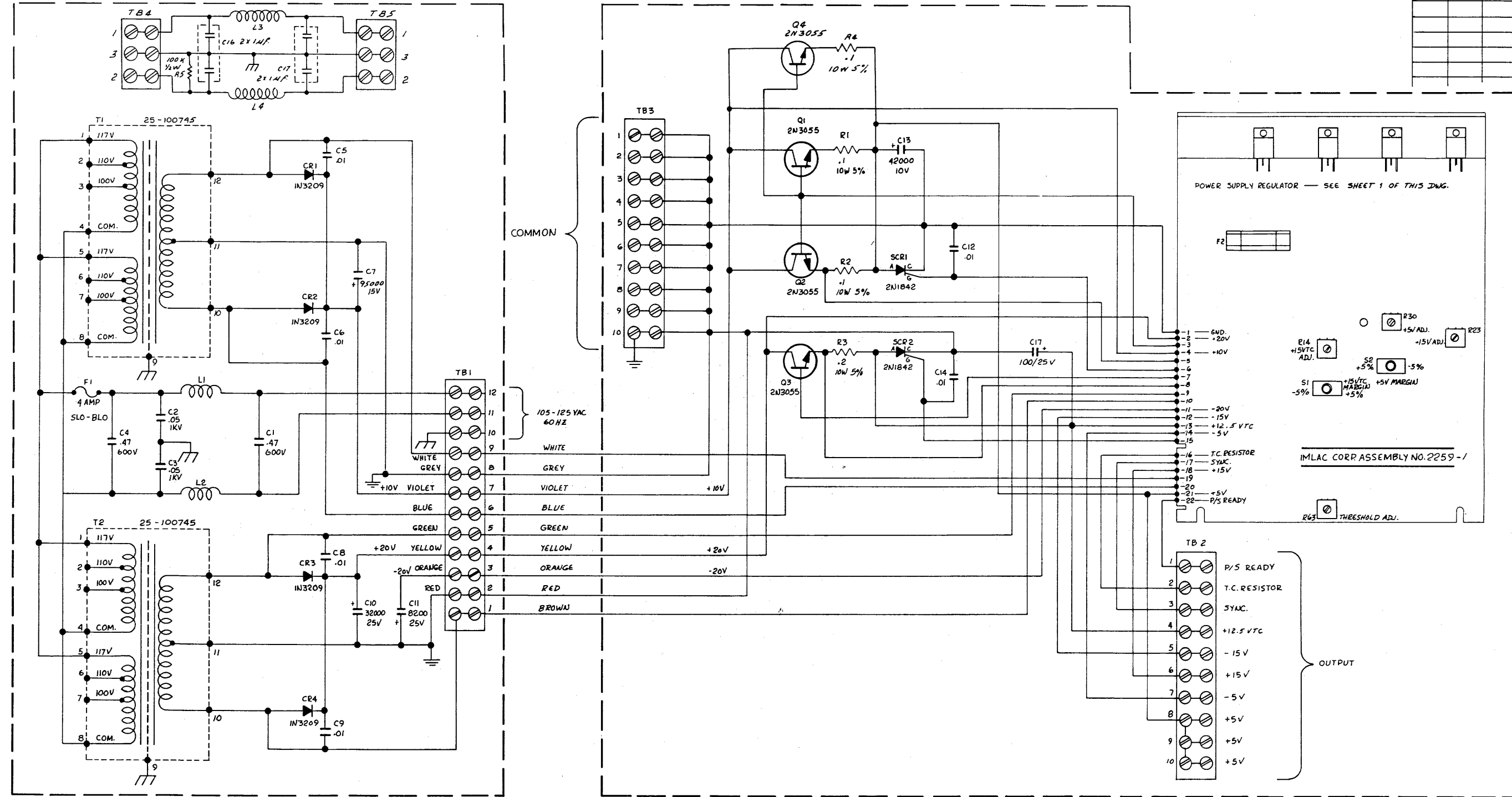
2601 ASSEMBLY GROUP	TYPE OF MONITOR	VALUE OF C3	W1
-00	NO GRAY SCALE	10 MFD	IN
-01	GRAY SCALE	NONE	OUT

LAYOUT	BY	DATE
DRAWN	JV	5-3-71
CHECKED	JV	5-2-71
ISSUE	XB	1-14-72
COPIED		

IMLAC CORPORATION
 288 NEWTON STREET
 WALTHAM, MASSACHUSETTS 02154

TITLE	PREFIX	SIZE	DRAWING NUMBER	REV.
MONITOR (2601)	L	D	1-029	

REV	ECN	DATE	DFM/J	APPVD.



IMLAC CORP. ASSEMBLY NO. 2369

IMLAC CORP. ASSEMBLY NO. 2370

RESISTANCE IN OHMS
CAPACITANCE IN MFDS

SYMBOLS USED
F1 - F1 T1 - T2 CR1 - CR4
T1 - T2 Q1 - Q4 C1 - C17, C17
L - L4 SCR1 - SCR2 R1 - R5

© by IMLAC CORP. 1970, 1971, 1972

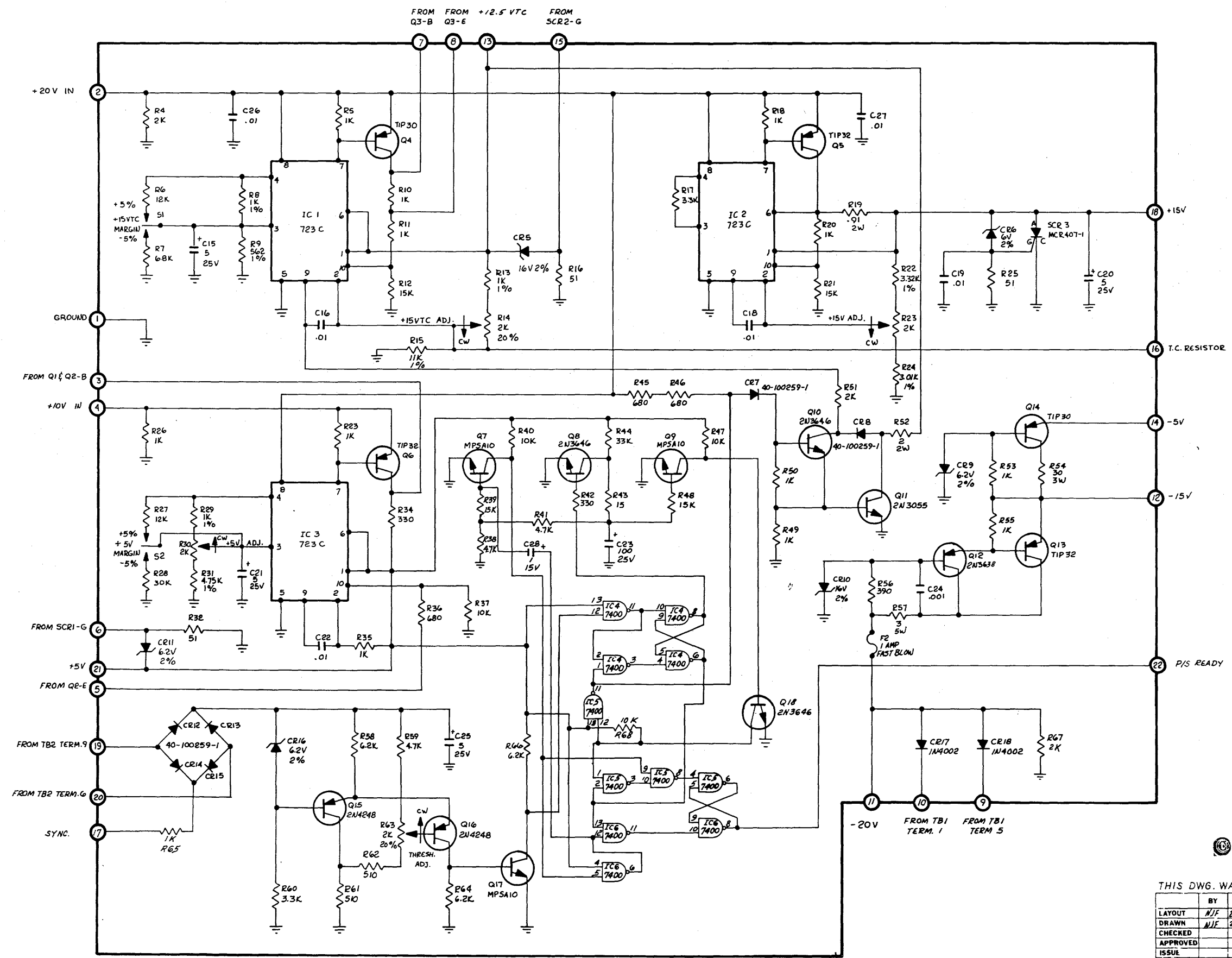
THIS DWG. WAS MADE FROM DWG. #871. - APR. 28-72. J.V.

BY	DATE	TITLE
LAYOUT NJF	23 SEP 71	POWER SUPPLY - 18A LOGIC
DRAWN NJF	25 SEP 71	
CHECKED		
APPROVED		
ISSUE		
COPIED		
MATERIAL		PROJECT
PREFIX		SIZE
L		D
DRAWING NUMBER		REV
1-030		
Scale		Sheet
		242



200 EIGHTH STREET
WALTHAM, MASSACHUSETTS 02154

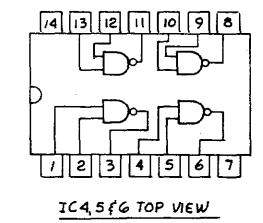
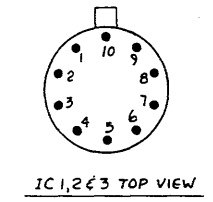
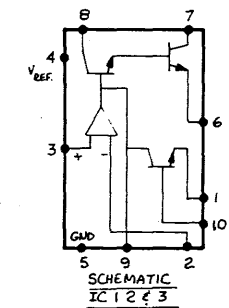
REV.	ECU.	DATE	DFTMN	APP/D.



UNLESS OTHERWISE SPECIFIED:
 RESISTANCE IN OHMS
 CAPACITANCE IN MFDs.
 RESISTORS 1/2W ±5%

SYMBOLS USED
 IC1 - IC6 SCR3 - SCR3
 Q4 - Q18 CR5 - CR18
 S1 - S2 C15 - C29
 F2 - F2 R4 - R68

SYMBOLS NOT USED
 C17, C29



© by IMLAC CORP. 1970, 1971, 1972

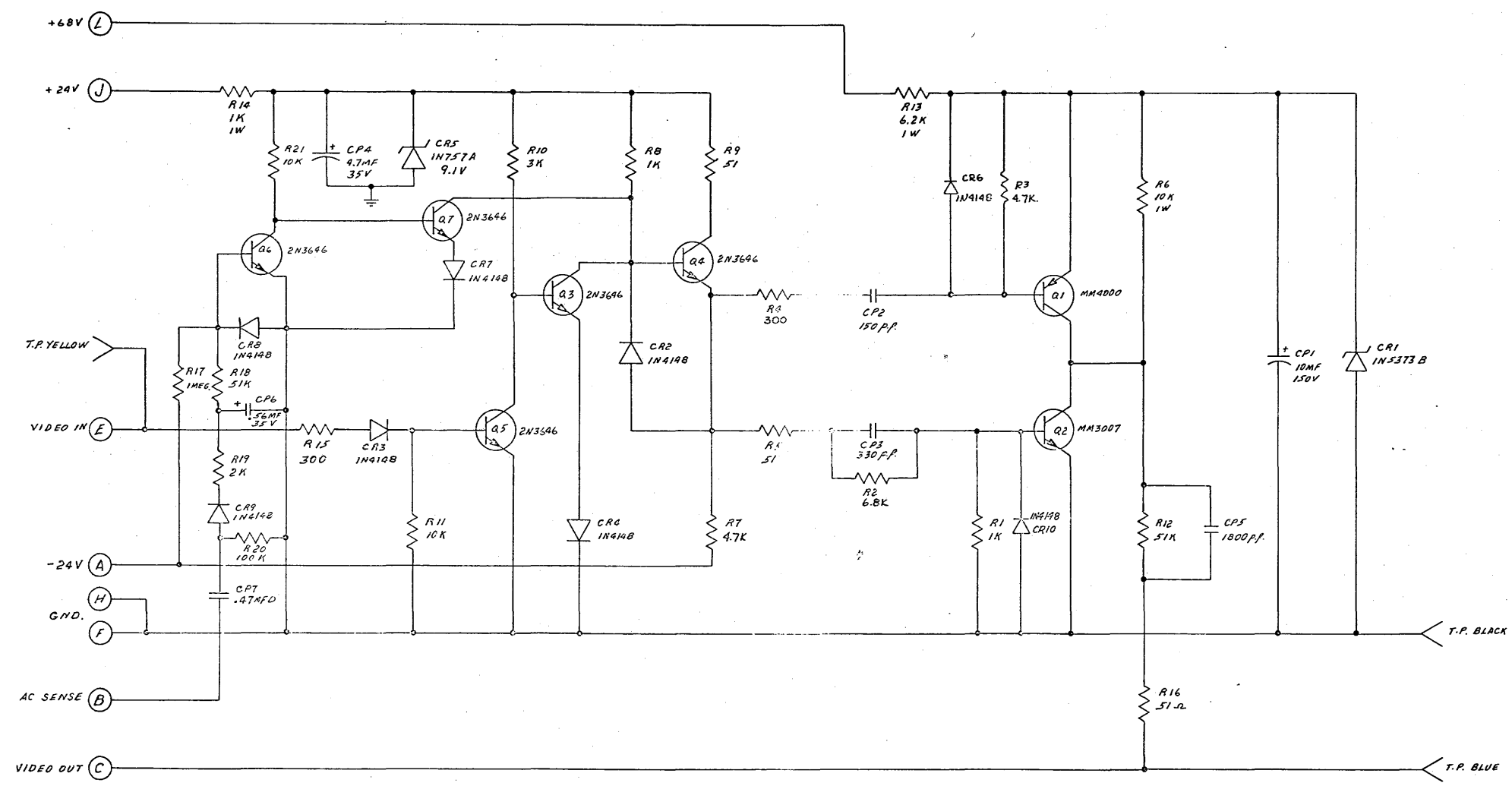
THIS DWG. WAS MADE FROM DWG. 871.-APR.28-72.J.V.

LAYOUT	BY	DATE	TITLE			
DRAWN	N/JF	2/25/71	POWER SUPPLY - 18A LOGIC			
CHECKED	N/JF	2/25/71				
APPROVED						
ISSUE						
COPIED						
MATERIAL	PROJECT		PREFIX	SIZE	DRAWING NUMBER	REV.
			L	D	1-030	
			Scale		Sheet	1/2



200 NEWTON STREET
 WALTHAM, MASSACHUSETTS 02154

REV.	ECN	DATE	DTM	APP'D.
A	---	12-15-70	J.V.	
B	-	7-26-71	J.V.	
C	---	2-9-71	J.V.	
E	390	4-2-71	J.V.	
F	408	4-27-71	J.V.	
G	423	12-14-71	C.B.A.	



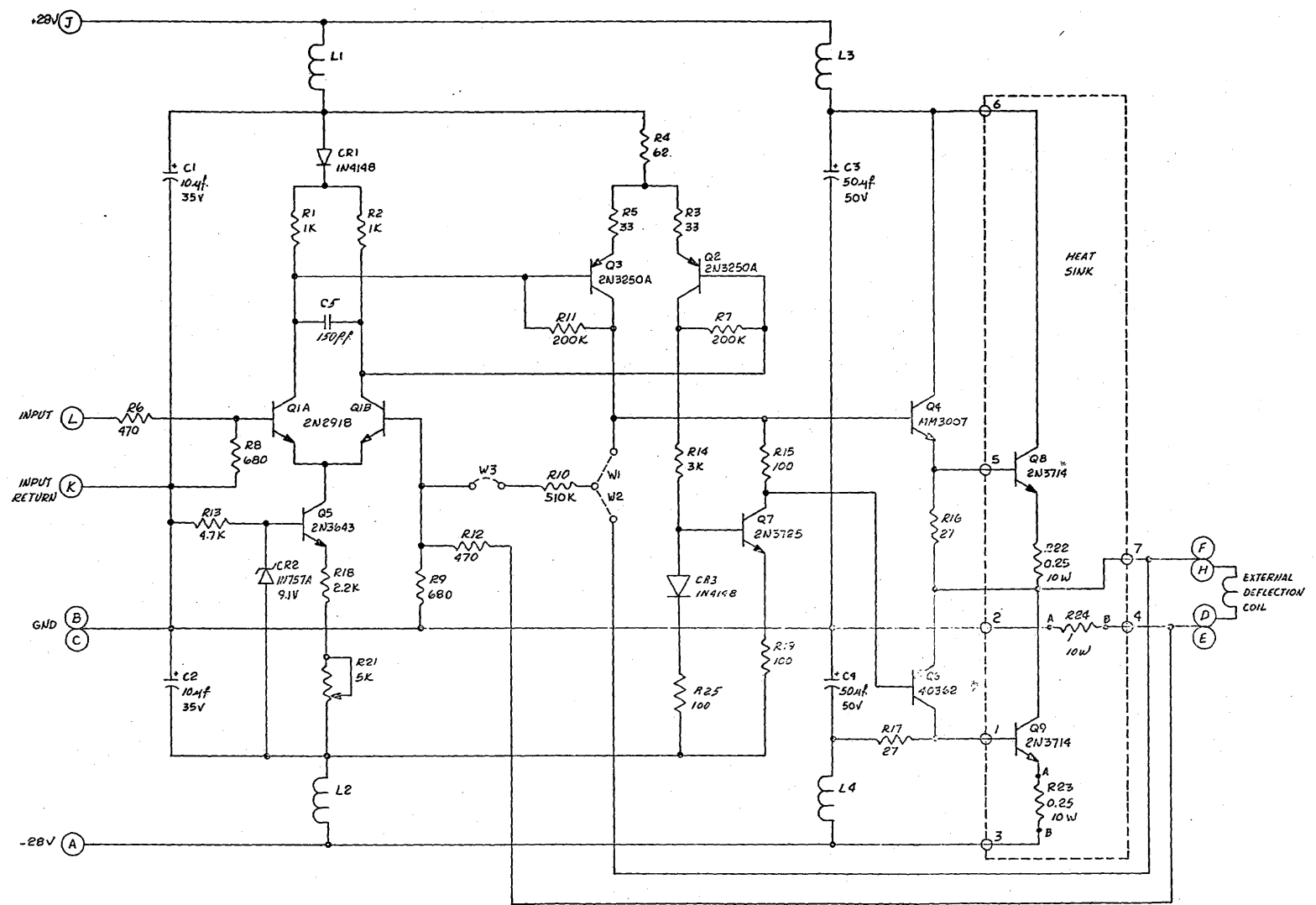
NOTES: 1. UNLESS OTHERWISE SPECIFIED,
ALL RESISTORS ARE 1/2 W, AND
RESISTANCE VALUES ARE IN
OHMS ± 5%.

© by IMLAC CORP. 1970, 1971, 1972

BY		DATE		TITLE	
LAYOUT	J.V.	12-26-70	VIDEO AMPLIFIER		
DRAWN	J.V.	12-27-70			
CHK. CHECKED					
APP. APPROVED					
DATE					
COPIED					
MATERIAL		PROJECT		REV.	
		1646		S D 2256 6	
		Scale		Sheet 10 of 2	

IMLAC CORPORATION
200 NEWTON STREET
WALTHAM, MASSACHUSETTS 02154

REV.	ECN	DATE	DTM	APPV
A	-	5-71		
B	-	6-571	UJE	
D	477	7-571	W.F.	



NOTE 1. ALL RESISTORS 1/2 W, 5%, OHMS UNLESS OTHERWISE NOTED

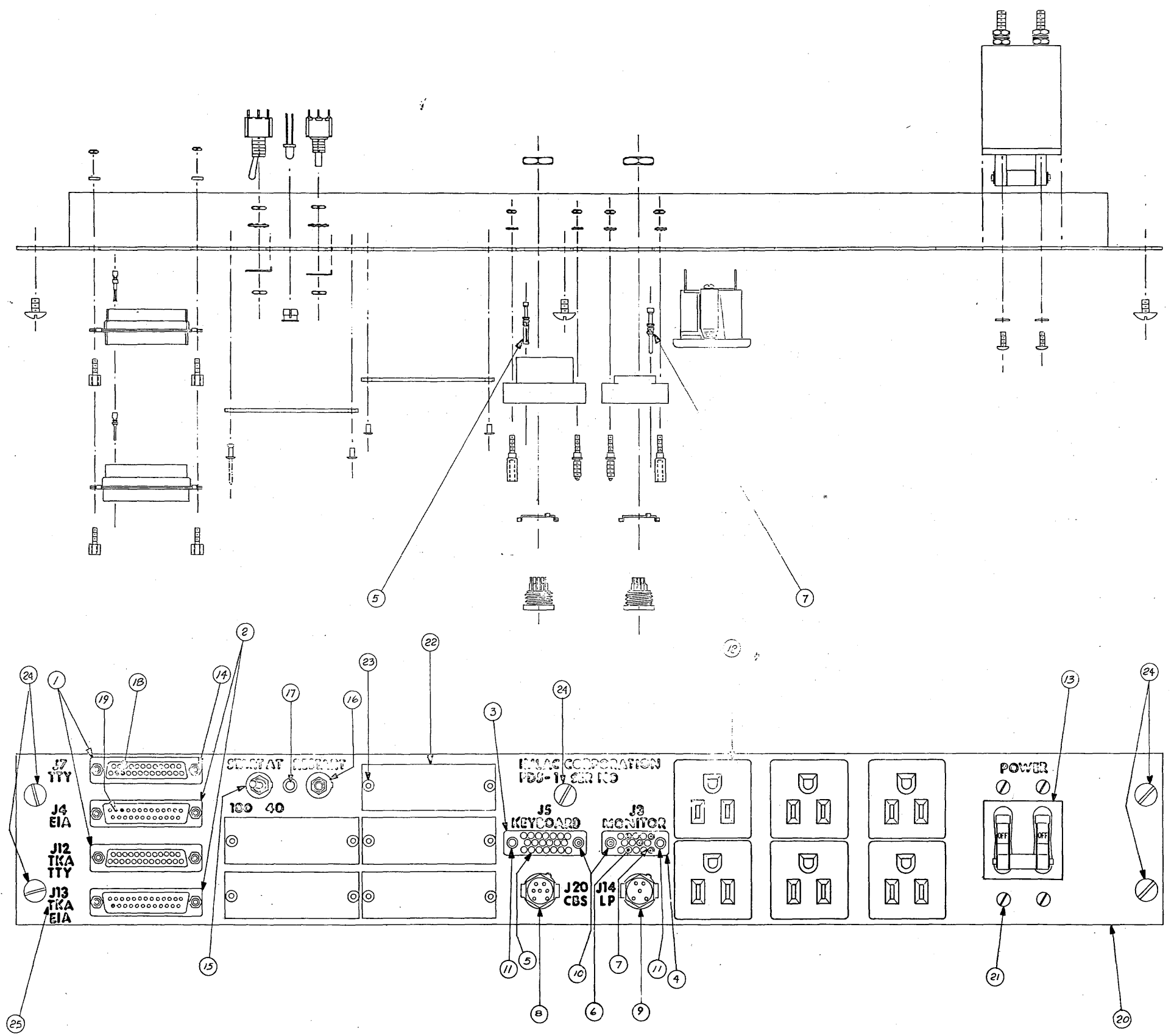
© by IMLAC CORP. 1970, 1971, 1972

BY		DATE	TITLE	
LAYOUT	AJF	18 DEC 70	DEFLECTION AMPLIFIER	
DRAWN	AJF	18 DEC 70		
CHECKED				
APPROVED	J.T.D.	11/24/71		
ISSUE				
COPIED				
MATERIAL	PROJECT		PREFIX	SIZE
			S	D
			DRAWING NUMBER	
			2273	
			Scale	Sheet 1 of 2

IMLAC CORPORATION

388 NEWTON STREET
WAT. TOWN, MASSACHUSETTS 02184

REV	ECN	DATE	DETM	APPV
A	-	11/22/71	AJF	



© by IMLAC CORP. 1970, 1971, 1972

BY DATE		IMLAC CORPORATION 400 NEWTON STREET WALTHAM, MASSACHUSETTS 02154	TITLE	
LAYOUT	AJF 2/24/72		I/O PANEL ASSY	PREFIX
DRAWN	AJF 2/24/72	A		D
CHECKED		PROJECT	DRAWING NUMBER	
APPROVED			2323	
ISSUE		Scale		Sheet 1 of 2
COPIED				192

REV.	ECN	DATE	DFTM	APPV


		POWER SUPPLY, INPUT SECTION							
		100		200		300			
32	X DRIVER, SECTION A	10-12 (2244) (12001) (902-A) 54-56 OR (2380) (12396) (983)	MISC. CONTROL	18-20 (2317) (12243) (872) 54-58					32
31	Y DRIVER, SECTION A	10-12 (2244) (12001) (903-A) 54-56 OR (2380) (12396) (984)	AVIN CONTROL	10-12 (2263-01) (12075) (848) 64-68					31
30	INHIBIT DRIVER, SECTION A	10-12 (2247) (12002) (904-A) 56-58	16K MEMORY CONTROL Δ	20-22 (2337) (12297) (901-16K) 66-68					30
29							MDS-2 INTERRUPTS	22-24 (2356-04) (1233B) (920) 54-56	29
28	STACK, SECTION A	12-14 (12-12134) (904-A) 62-64	STACK, SECTION A	12-14 (12-12134) (902-A) 62-64 (12-12134) (903-A)			ASYNC SEND	18-20 (2318) (12244) (869) 58-60	28
27	SENSE AMP, SECTION A	10-12 (2254) (12009) (906-A) 58-60	MEMORY CONTROL	14-18 (2307) (12219) (849-A) 54-58			ASYNC REC	18-20 (2319) (12245) (870) 60-62	27
26	SENSE AMP, SECTION B	10-12 (2254) (12009) (907-A) 58-60	INST. REG. & DECODER	14-18 (2310) (12224) (856-A) 64-68			ASYNC 110 BAUD -8/11	20-22 (2342) (12303) 70-72	26
25									25
24	STACK, SECTION B	12-14 (12-12134) (907-A) 62-64	STACK, SECTION B	12-14 (12-12134) (905-A) 62-64 (12-12134) (906-A)					24
23	INHIBIT DRIVER, SECTION B	10-12 (2247) (12002) (907-A) 56-58	ACC CONTROL	20-22 (2303-01) (12203) (840) 60-62					23
22	Y DRIVER, SECTION B	10-12 (2246) (12001) (906-A) 54-56 OR (2380) (12396) (985)	ACC & ACI 12-15	14-16 (2287) (12145) (824) 54-56					22
21	X DRIVER, SECTION B	10-12 (2246) (12001) (905-A) 54-56 OR (2380) (12396) (986)	ACC & ACI 8-11	14-16 (2287) (12145) (823) 54-56					21
20	X DRIVER, SECTION C Δ	10-12 (2246) (12001) (908-16K) 54-56 OR (2380) (12396) (987)	ACC & ACI 4-7	14-16 (2287) (12145) (822) 54-56			CABLE, CONSOLE SWITCHES & MISC. LAMP DRIVE	16-18 (855-A) 64-66	20
19	Y DRIVER, SECTION C Δ	10-12 (2246) (12001) (909-16K) 54-56 OR (2380) (12396) (988)	ACC & ACI 0-3	14-16 (2287) (12145) (821-A) 54-56					19
18	INHIBIT DRIVER, SECTION C Δ	10-12 (2247) (12002) (910-16K) 56-58	SKIP & LINK	14-16 (2305) (12217) (845) 72-74			LOT CARD	12-14 (2272) (12100) (847-A) 58-60	18
17									17
16	STACK, SECTION C Δ	12-14 (12-12134) (910-16K) 62-64	STACK, SECTION C Δ	12-14 (12-12134) (908-16K) 62-64 (12-12134) (909-16K)					16
15	SENSE AMP, SECTION C Δ	10-12 (2254) (12009) (910-16K) 58-60	TPG & CLOCK	10-12 (2265-01) (12089) (820-A) 72-74					15
14	MEMORY OUTPUT BUFFER	16-16 (2295) (12168) (843-A) 64-66	CYCLE CONTROL	12-14 (2278) (12127) (772) 66-68					14
13	READ ONLY MEMORY	30-32 (2306) (12218) (846-A) ---	MB 8-15	12-14 (2283) (12138) (819-A) 70-72					13
12	SENSE AMP, SECTION D Δ	10-12 (2254) (12009) (913-16K) 58-60	MB 0-7	12-14 (2283) (12138) (818-A) 70-72					12
11									11
10	STACK, SECTION D Δ	12-14 (12-12134) (913-16K) 62-64	STACK, SECTION D Δ	12-14 (12-12134) (911-16K) 62-64 (12-12134) (912-16K)					10
9	INHIBIT DRIVER, SECTION D Δ	10-12 (2247) (12002) (913-16K) 56-58	MA 8-15	12-14 (2283) (12138) (817-A) 70-72					9
8	Y DRIVER, SECTION D Δ	10-12 (2246) (12001) (912-16K) 54-56 OR (2380) (12396) (989)	MA 1-7	12-14 (2283) (12138) (816-A) 70-72			CABLE, LAMP DRIVE	16-18 (12302) (855-A) 64-66	8
7	X DRIVER, SECTION D Δ	10-12 (2246) (12001) (911-16K) 54-56 OR (2380) (12396) (990)	B, MB, MA, PC CONTROL MA AUTO INDEX DET	14-16 (2302-01) (12202) (842) 68-70					7
6			PC 8-15	12-14 (2283) (12138) (815) 70-72			VIC-1	22-24 (2373-01) (12369) (940) 58-60	6
5	Y D/A	14-16 (2293) (12159) (852) 60-62	PC 1-7	12-14 (2283) (12138) (814-A) 70-72					5
4	Y DISPLAY ACC.	16-18 (2309) (12221) (851) 58-60	DPC 8-15	12-14 (2283) (12138) (813) 70-72			B LEVEL DT	12-14 (2279) (12130) (858-A) 68-70	4
3	OMB & ICA REG. 40 ~ SYNC.	12-14 (2275-01) (12125) (897) 64-66	DPC 1-7	12-14 (2283) (12138) (812-A) 70-72					3
2	X DISPLAY ACC.	16-18 (2309) (12221) (850) 58-60	DMC & D/A	12-14 (2286-02) (12140) (798-A) 72-74					2
1	X D/A	14-16 (2293) (12159) (844) 60-62	DISPLAY CONTROL	14-16 (2292) (12141) (838) 62-64					1
0									0

POWER SUPPLY, REGULATOR SECTION 12 AMP 2257 CHASSIS, 2259 OR 2259-1 REGULATOR CARD, 18 AMP 2370 CHASSIS, 2259-1 REGULATOR CARD

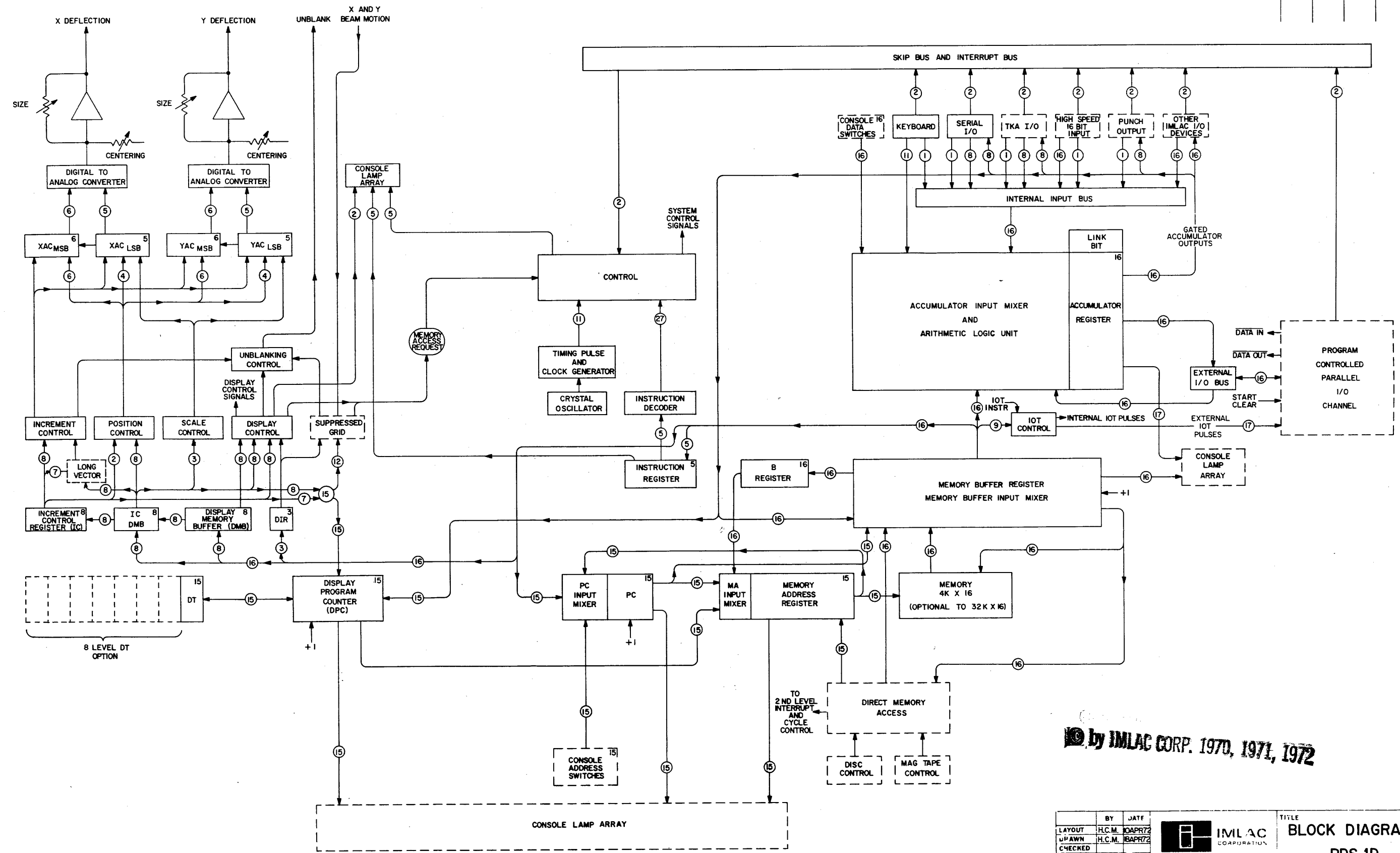
- NOTES: 1- THE SET OF NUMBERS BEFORE THE PARENTHESIS ARE THE KEYING SLOTS FOR THE CARD.
 2- THE FIRST NUMBER IN PARENTHESIS IS THE ASSEMBLY DRAWING NUMBER OF THE CARD.
 3- THE SECOND NUMBER IS THE ARTWORK DRAWING NUMBER AND APPEARS ON THE PRINTED CIRCUIT CARD.
 4- THE THIRD NUMBER IS THE NUMBER OF THE LOGIC DRAWING, AND SHOWS THE SCHEMATIC OF THE CARD AND THE BACKPLANE WIRING.
 5- Δ: USED ONLY ON 12K OR 16K CONFIGURATION.

VIEW FROM WIRING SIDE

© by IMLAC CORP. 1970, 1971, 1972

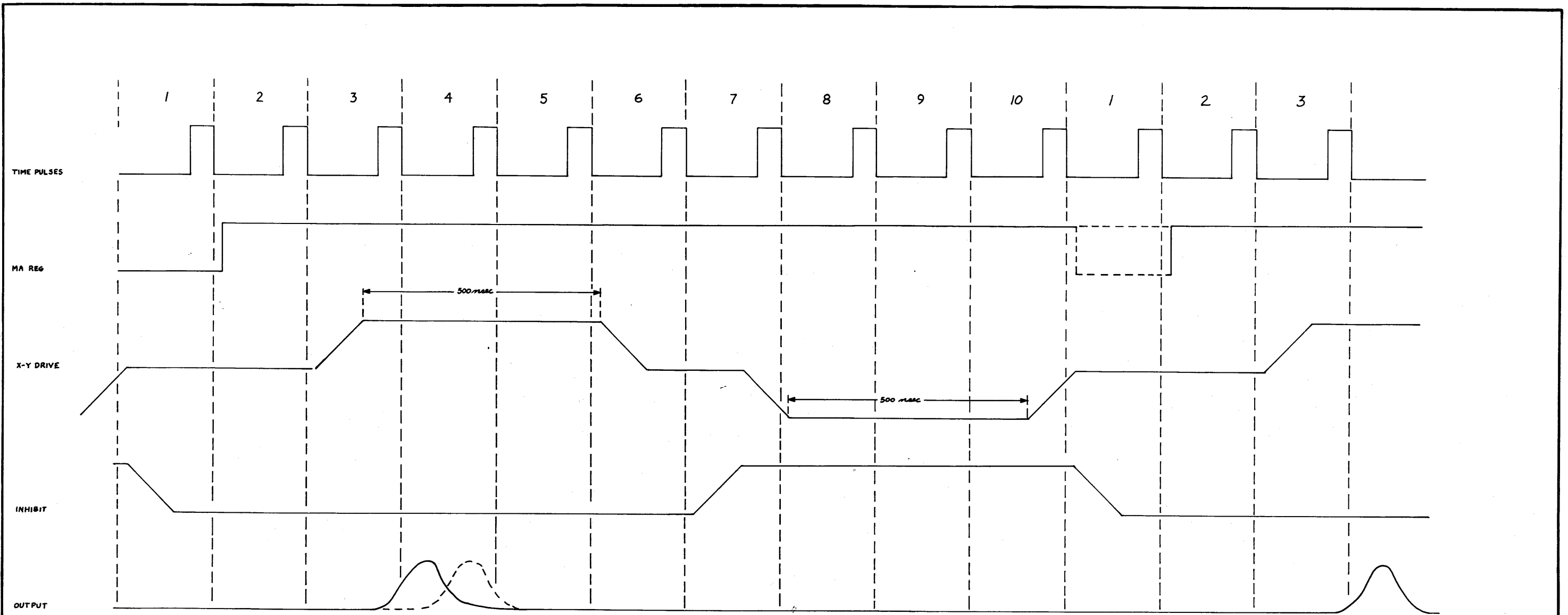
LAYOUT	JV	3-16-72	 284 N. WYTON STREET WALTHAM, MASSACHUSETTS 02154	TITLE	STANDARD FUNCTION LOCATION
DRAWN	JV	3-16-72		PREFIX	A D
CHECKED				SIZE	
APPROVED				DRAWING NUMBER	2605-
ISSUE				REV.	
COPIED			MATERIAL		
PROJECT			Scale Sheet		

REV	ECN	DATE	DFTMN	APRV



© by IMLAC CORP. 1970, 1971, 1972

BY JATF		IMLAC CORPORATION	TITLE	
LAYOUT H.C.M. 10APR72	UPAWN H.C.M. 10APR72		BLOCK DIAGRAM PDS 1D	
CHECKED	APPROVED	PROJECT		
ISSUE	COPIED	PP	SIZE	DRAWING NUMBER
MATERIAL		A	D	5100
		Scale		Sheet

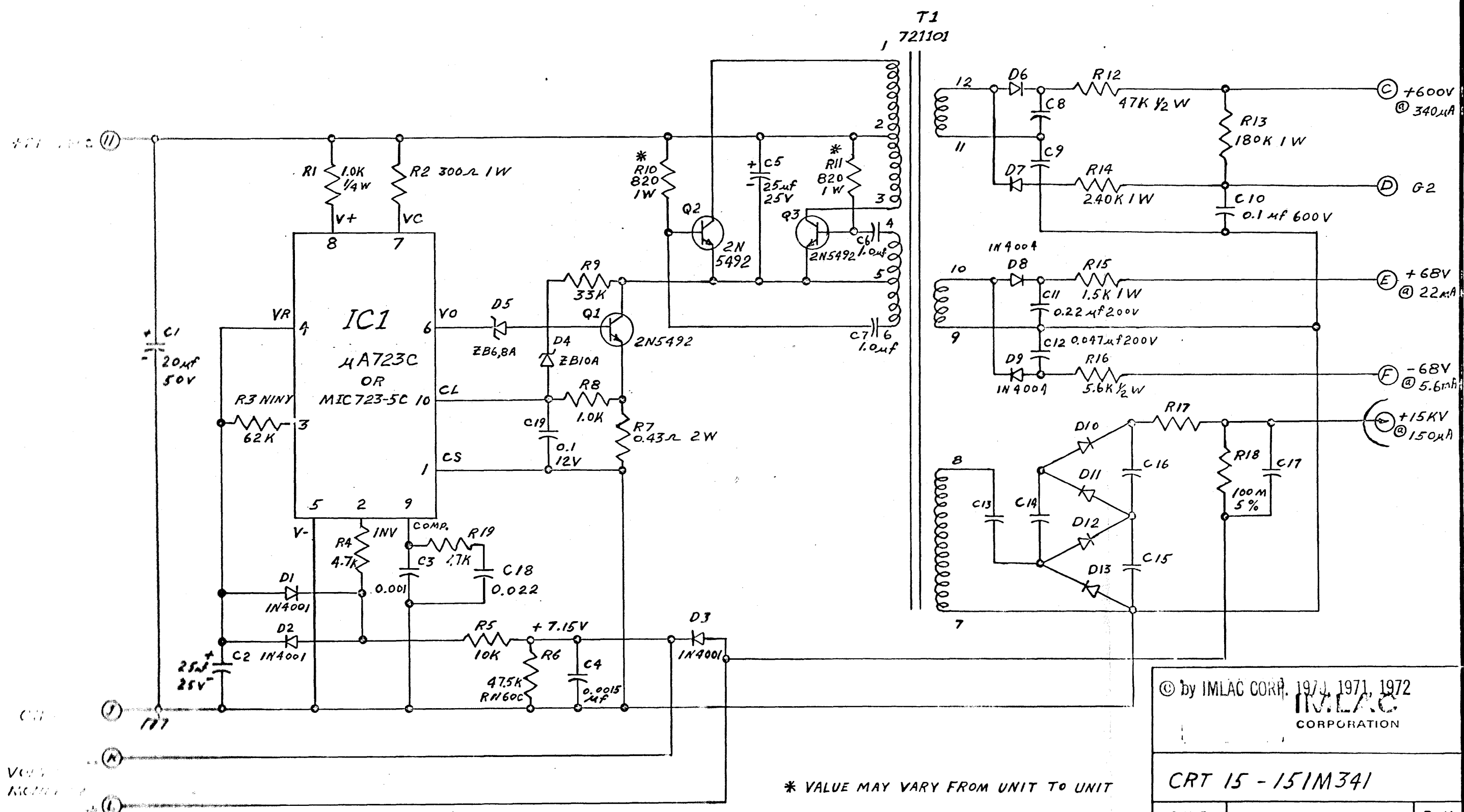


© by IMLAC CORP. 1970, 1971, 1972

3

© 1971					
LAYOUT	BY	DATE			
DRAWN	NJF	8.28-65			
CHECKED	NJF	10.28-65			
APPROVED					
ISSUE					
COPIES					
MATERIAL					
PROJECT			PREFIX	SIZE	DRAWING NUMBER
			L		652
			Scale		Sheet

IMLAC MEMORY TIMING



* VALUE MAY VARY FROM UNIT TO UNIT

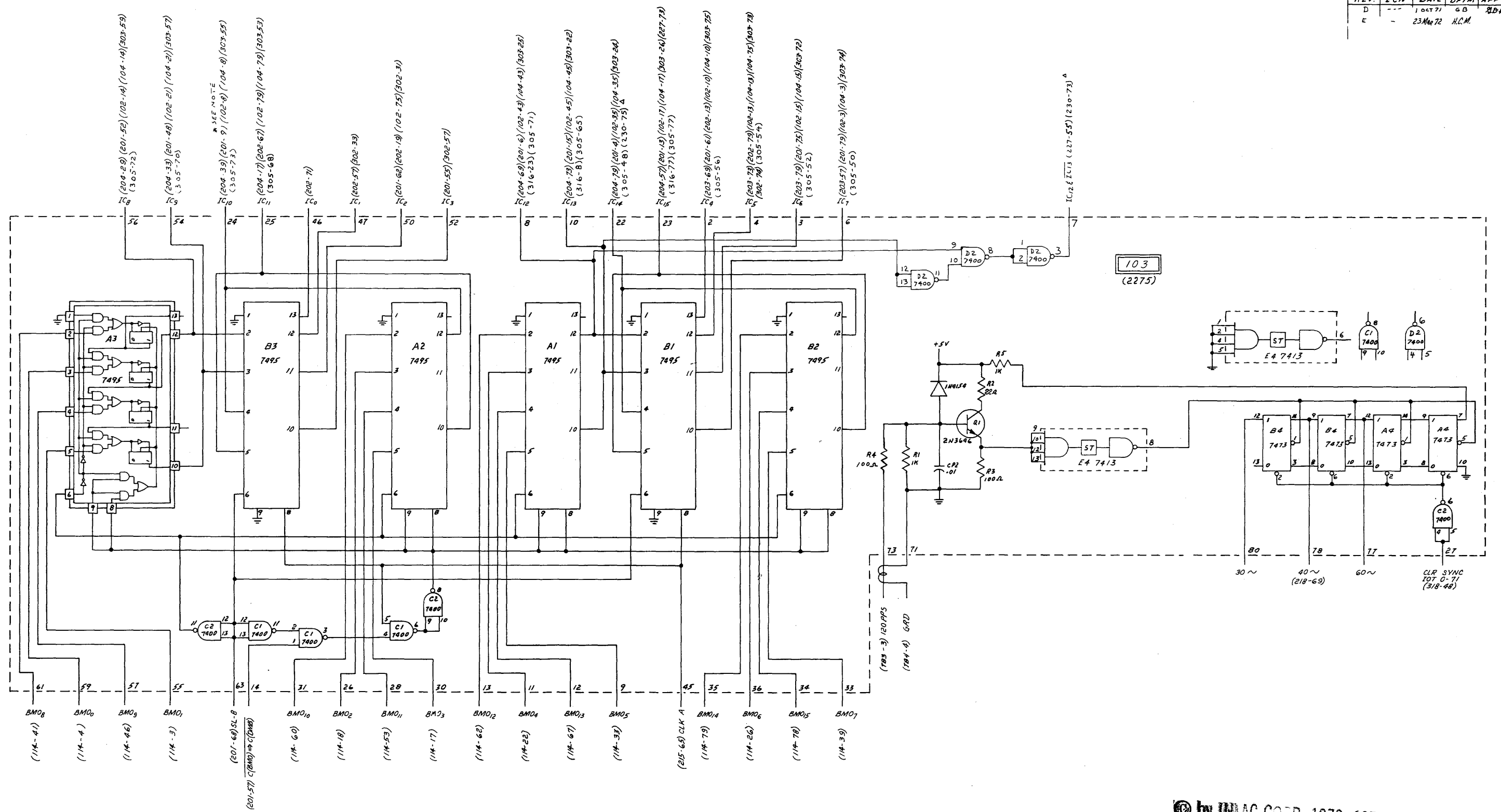
NOTE: DWG WAS WALDEN B1119

© by IMLAC CORP. 1970, 1971, 1972
IMLAC
 CORPORATION

CRT 15 - 151M341

DATE 21OCT 70	749	REV D
------------------	-----	----------

REV.	ECN	DATE	DTM	APPD.
D		1 OCT 71	GB	RBA
E		23 MAR 72	A.C.M.	



* NOTE:
Δ USED ON 16K ONLY

© by IMLAC CORP 1970, 1971, 1972

© 1971

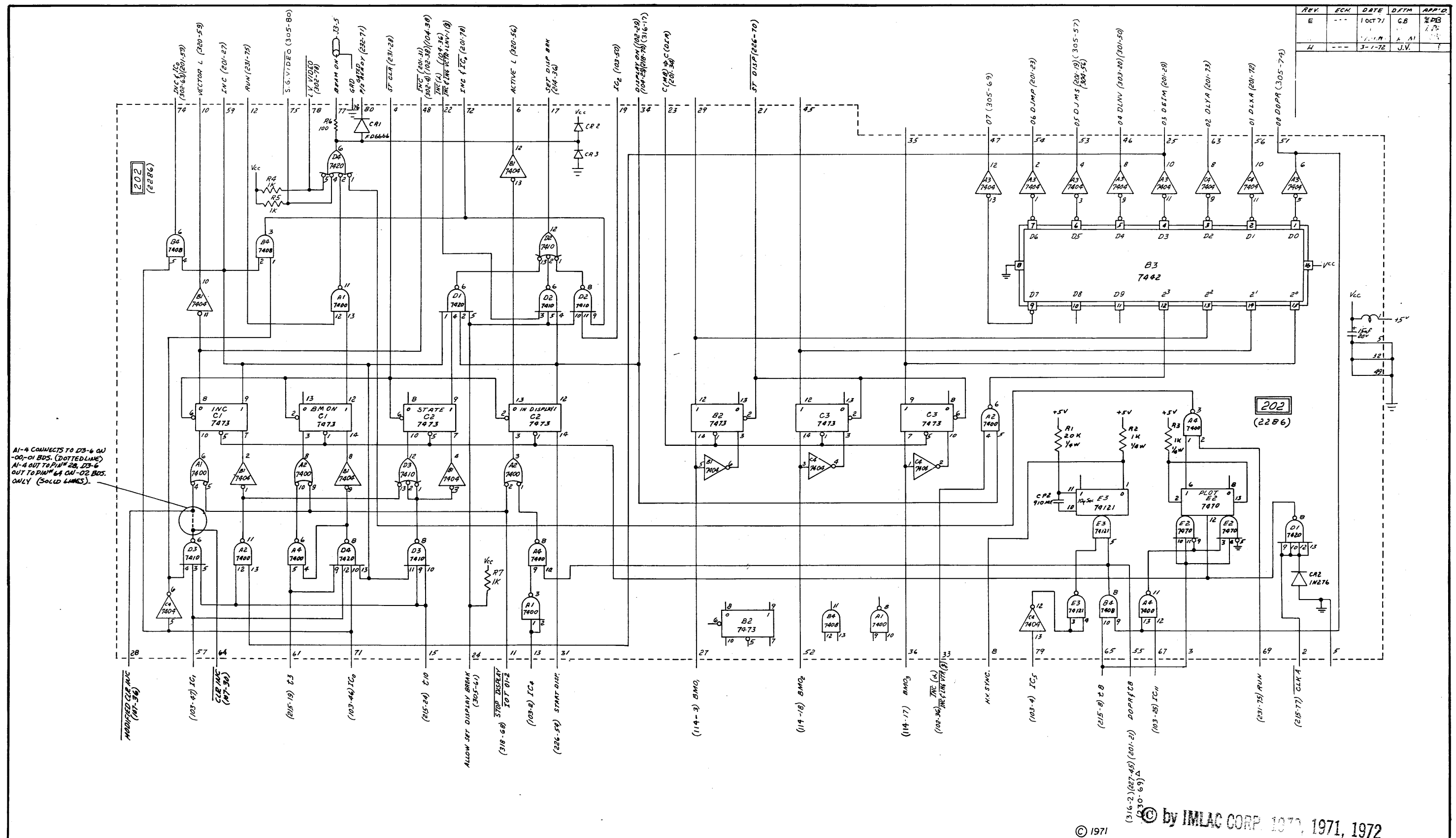
	BY	DATE
LAYOUT	J.V.	1-13-71
DRAWN	J.V.	1-13-71
CHECKED	C.B.A.	3-19-71
APPROVED		
ISSUE		
COPIED		



TITLE
DISPLAY MEMORY BUFFER &
INCREMENT CONTROL REGISTERS
& 40 CYCLES SYNC.

MATERIAL	PROJECT	PREFIX	SIZE	DRAWING NUMBER	REV.
	PROD	L D		771-A	E
		Scale		Sheet	

REV.	ECN	DATE	DTM	APP'D.
E	---	1 OCT 71	CB	J.V.
H	---	3-1-72	J.V.	J.V.



AI-4 CONNECTS TO DB-6 ON
-00-01 BUS. (DOTTED LINE)
AI-4 OUT TO PIN# 28, DB-6
OUT TO PIN# 64 ON -02 BUS.
ONLY (SOLID LINES).

© 1971

© by IMLAC CORP. 1970, 1971, 1972

	BY	DATE
LAYOUT	J.V.	2-2-71
DRAWN	J.V.	2-4-71
CHECKED		
APPROVED		
ISSUE		
COPIED		

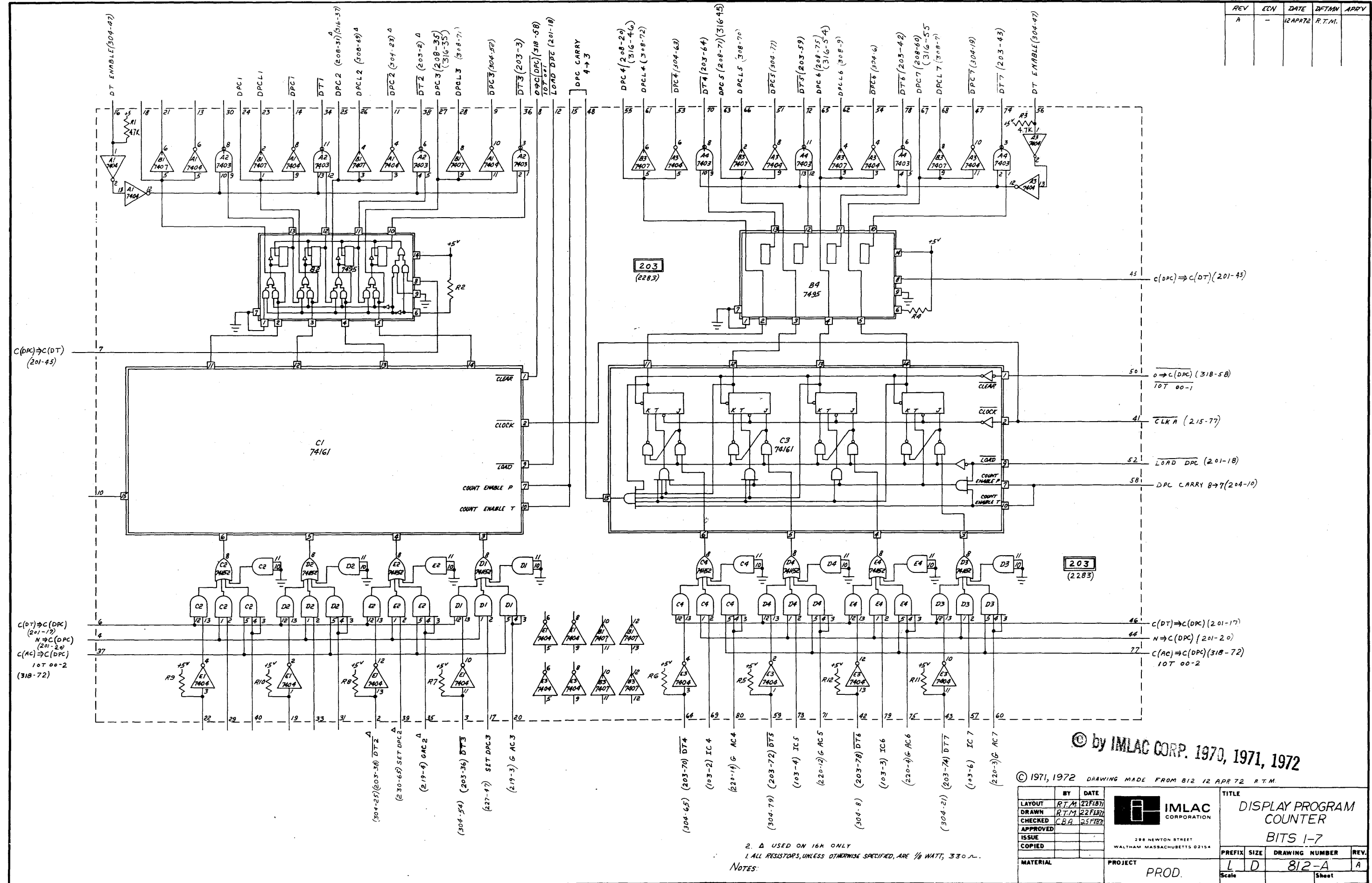
IMLAC
CORPORATION
100 WASHINGTON STREET
CAMBRIDGE, MASSACHUSETTS 02142

TITLE		DRAWING NUMBER		REV.
DISPLAY MODE CONTROL & DISPLAY INSTRUCTION REG.		798-A		H
PREFIX	SIZE	DRAWING NUMBER	REV.	
L	D	798-A	H	
Scale		Sheet		

NOTES:
1. A USED ON 16K ONLY

PROJECT
PROD

REV	ECN	DATE	DTM	APRY
A	-	12 APR 72	R.T.M.	



© by IMLAC CORP. 1970, 1971, 1972

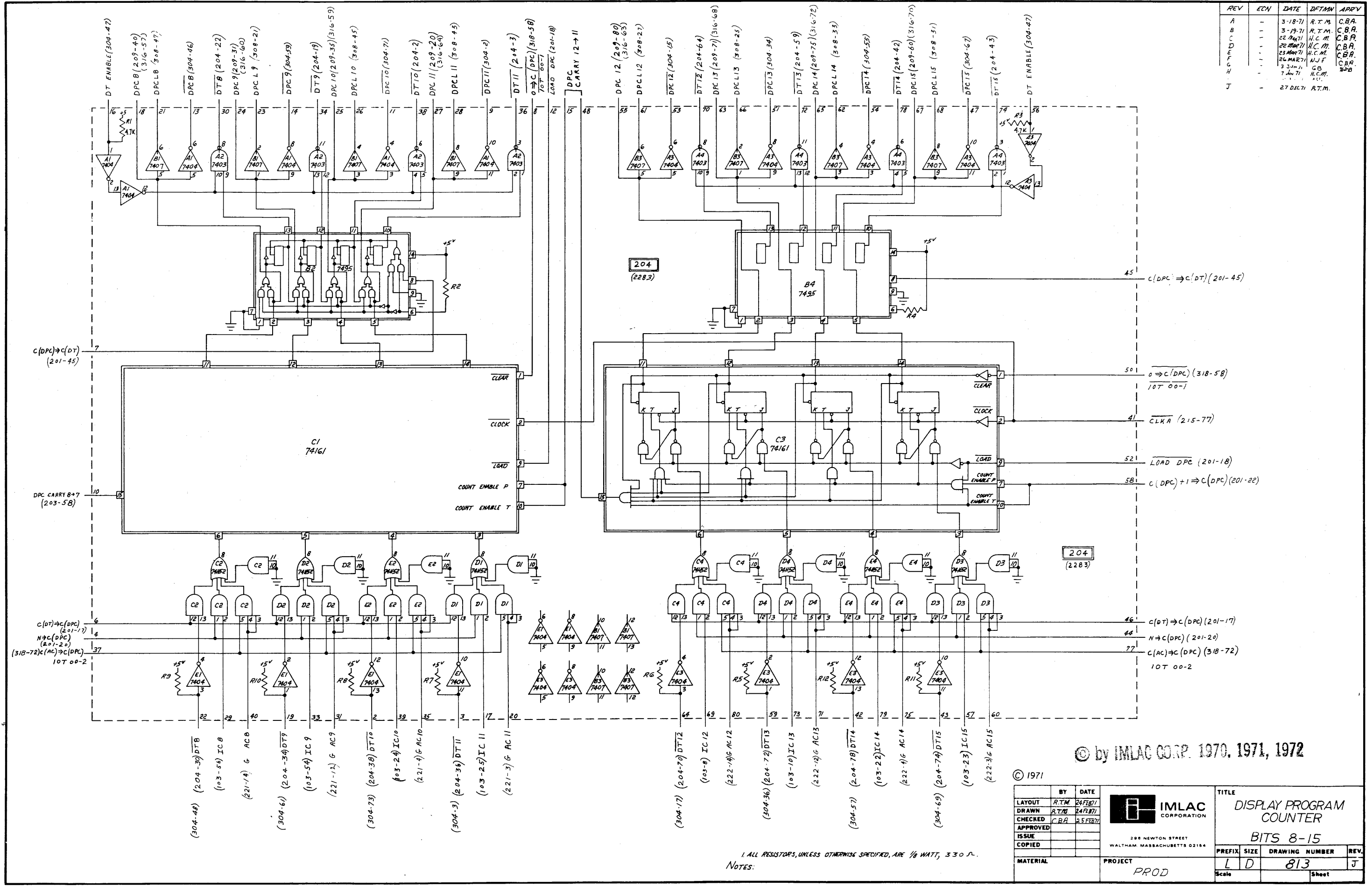
© 1971, 1972 DRAWING MADE FROM B12 12 APR 72 R.T.M.

BY DATE		TITLE	
LAYOUT	R.T.M. 22 FEB 71	DISPLAY PROGRAM COUNTER	
DRAWN	R.T.M. 22 FEB 71	BITS 1-7	
CHECKED	C.B.A. 25 FEB 71	PREFIX	SIZE
APPROVED		L	D
ISSUE		DRAWING NUMBER	
COPIED		812-A	
MATERIAL		Scale	Sheet
PROJECT		REV.	
PROD.		A	

2. Δ USED ON 16K ONLY
 1. ALL RESISTORS, UNLESS OTHERWISE SPECIFIED, ARE 1/8 WATT, 330 Ω.

NOTES:

REV	ECN	DATE	DTM	APPRV
A	-	3-18-71	R.T.M.	C.B.A.
B	-	3-19-71	R.T.M.	C.B.A.
C	-	22 MAR 71	H.C.M.	C.B.A.
D	-	23 MAR 71	H.C.M.	C.B.A.
E	-	24 MAR 71	N.J.F.	C.B.A.
F	-	3 JUN 71	G.B.	C.B.A.
G	-	7 JUN 71	H.C.M.	C.B.A.
H	-			
J	-	27 DEC 71	R.T.M.	



© by IMLAC CORP. 1970, 1971, 1972

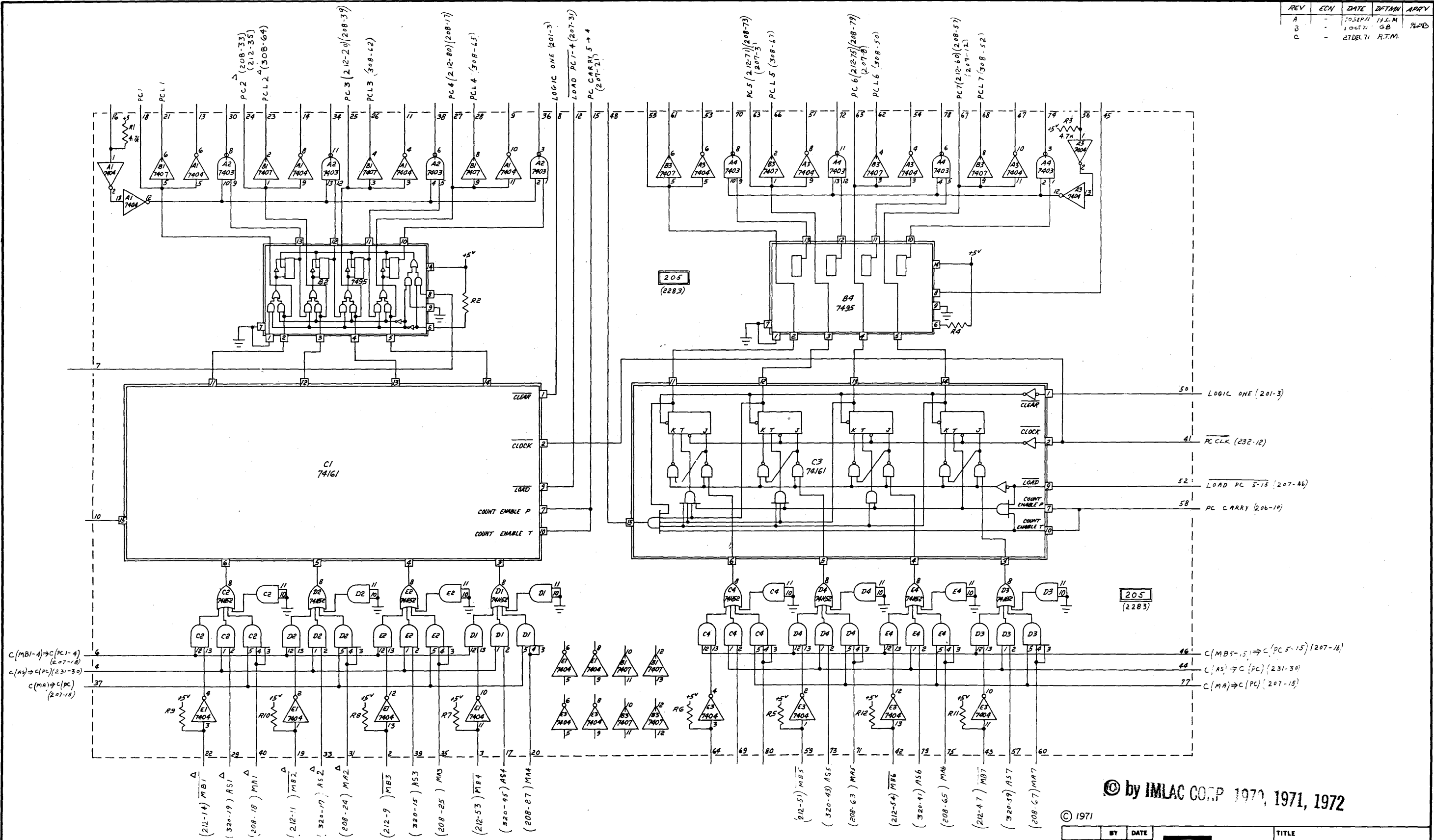
© 1971

BY	DATE	TITLE
LAYOUT	R.T.M. 24 FEB 71	DISPLAY PROGRAM COUNTER
DRAWN	R.T.M. 24 FEB 71	BITS 8-15
CHECKED	C.B.A. 25 FEB 71	
APPROVED		
ISSUE		
COPIED		
MATERIAL		

IMLAC CORPORATION		200 NEWTON STREET WALTHAM, MASSACHUSETTS 02154	
PROJECT	PROD	PREFIX	LD
SIZE	813	DRAWING NUMBER	813
REV.	J	Scale	Sheet

ALL RESISTORS, UNLESS OTHERWISE SPECIFIED, ARE 1/8 WATT, 330 Ω.
NOTES:

REV	ECN	DATE	DETMN	APPRV
A	-	10 SEP 71	J.S.M	RWD
B	-	1 OCT 71	G.B	
C	-	27 DEL 71	R.T.M.	



© by IMLAC CORP 1970, 1971, 1972

© 1971

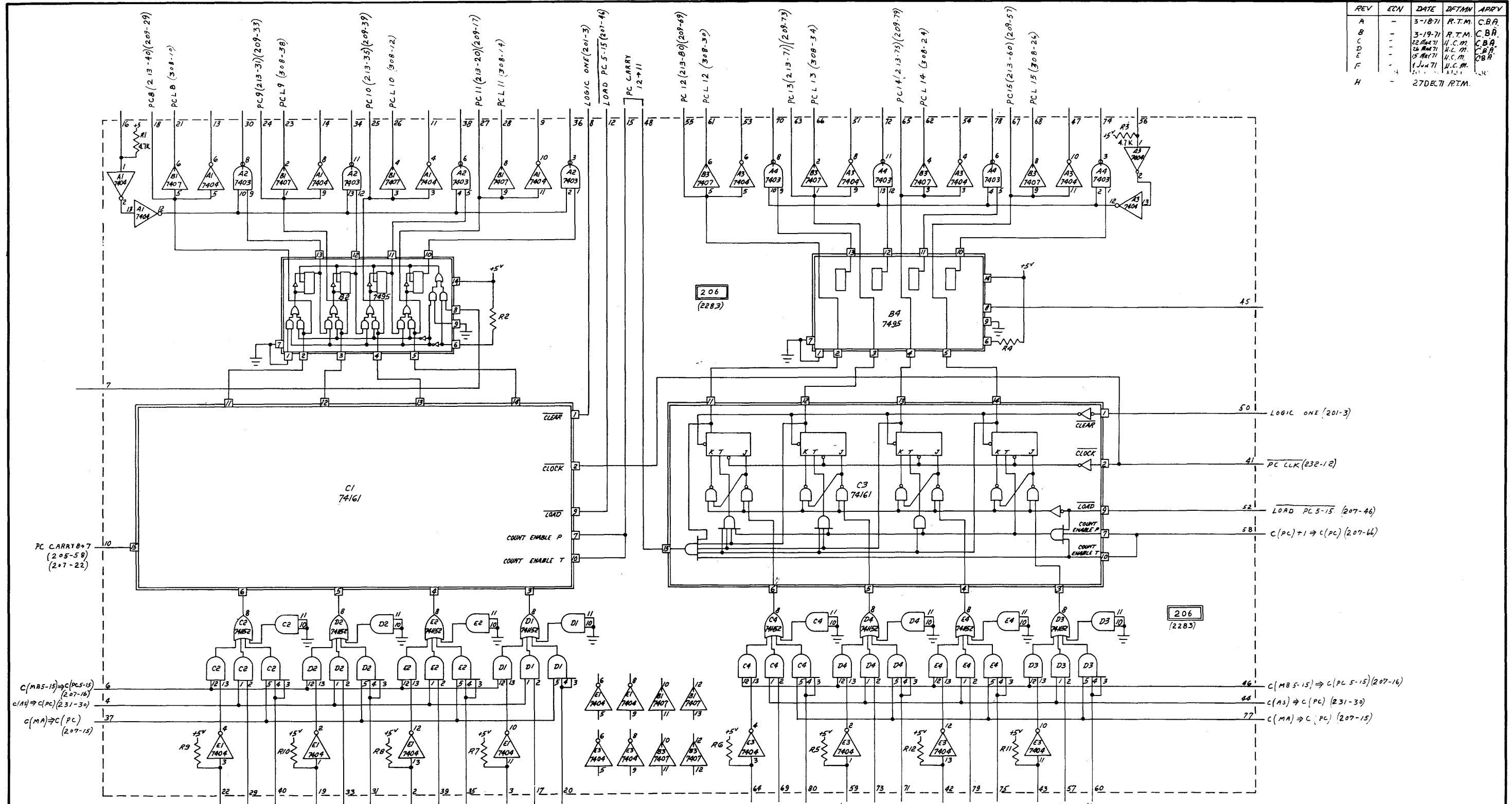
	BY	DATE
LAYOUT	R.T.M.	26 FEB 71
DRAWN	R.T.M.	26 FEB 71
CHECKED	C.B.A.	26 FEB 71
APPROVED		
ISSUE		
COPIED		
MATERIAL		



TITLE			
PROGRAM COUNTER			
BITS 1-7			
PREFIX	SIZE	DRAWING NUMBER	REV.
L	D	814-A	C
Scale		Sheet	

3 Δ FOR 16K ONLY
 2 * FOR 8K ONLY
 1. ALL RESISTORS, UNLESS OTHERWISE SPECIFIED, ARE 1/8 WATT, 330 Ω.
 NOTES:

REV	CON	DATE	BY	APPR
A	-	3-18-71	R.T.M.	C.B.A.
B	-	3-19-71	R.T.M.	C.B.A.
C	-	22 Mar 71	H.C.M.	C.B.A.
D	-	26 Mar 71	H.C.M.	C.B.A.
E	-	15 Jun 71	H.C.M.	C.B.A.
F	-	15 Jun 71	H.C.M.	C.B.A.
H	-	27 Dec 71	RTM.	



PC CARRY 8+7
(205-58)
(207-22)

C(MB5-15) → C(PC5-15)
(207-16)
C(A1) → C(PC) (231-30)
C(MA) → C(PC) (207-15)

LOGIC ONE (201-3)
PC CLK (232-12)
LOAD PC 5-15 (207-46)
C(PC)+1 → C(PC) (207-66)

C(MB5-15) → C(PC5-15) (207-16)
C(A5) → C(PC) (231-30)
C(MA) → C(PC) (207-15)

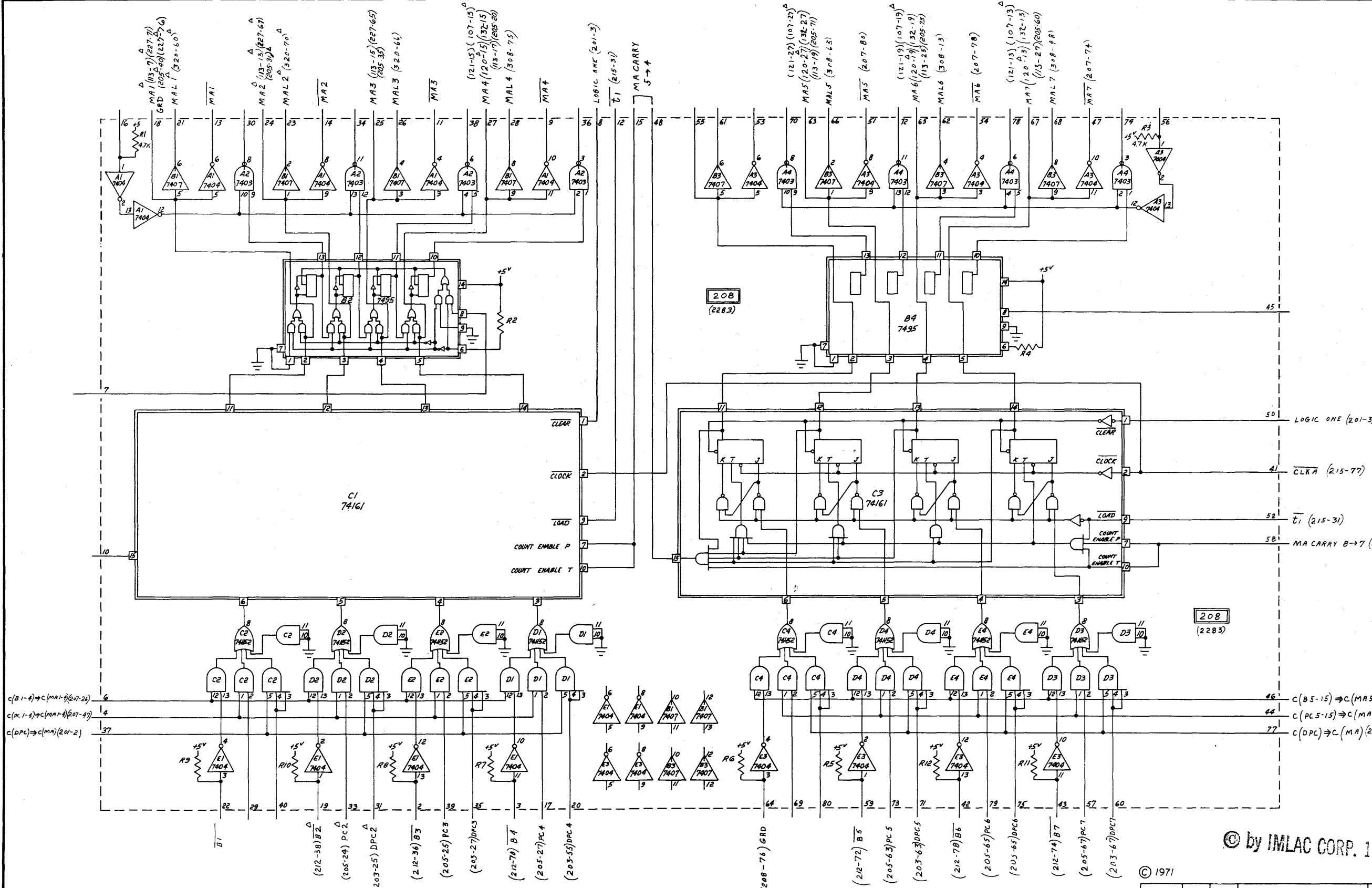
© by IMLAC CORP. 1970, 1971, 1972

© 1971

LAYOUT	BY	DATE	TITLE
DRAWN	R.T.M.	26 FEB 71	PROGRAM COUNTER BITS 8-15
CHECKED	R.T.M.	26 FEB 71	
APPROVED	C.B.A.	26 FEB 71	
ISSUE			
COPIED			
MATERIAL			
PROJECT			PROD
PREFIX	SIZE	DRAWING NUMBER	REV.
L	D	815	H
Scale			Sheet

ALL RESISTORS, UNLESS OTHERWISE SPECIFIED, ARE 1/8 WATT, 5% TOL.
NOTES:

REV	EDN	DATE	DETMN	APPRV
A	---	8-25-71	J.V.	R.T.M.
B	---	10-28-71	H.S.M.	
C	---	1-01-72	G.B.	J.D.B.
D	---	27-DEC-71	R.T.M.	



C(B1-4) → C(MA1-4) (207-24)
 C(PC1-4) → C(MA1-4) (207-27)
 C(DPC) → C(MA) (201-2)

50 LOGIC ONE (201-3)
 41 CLKA (215-77)
 52 \bar{C}_1 (215-31)
 58 MA CARRY B → 7 (209-10)

46 C(B5-15) → C(MA5-15) (207-19)
 44 C(PC5-15) → C(MA5-15) (207-17)
 77 C(DPC) → C(MA) (201-2)

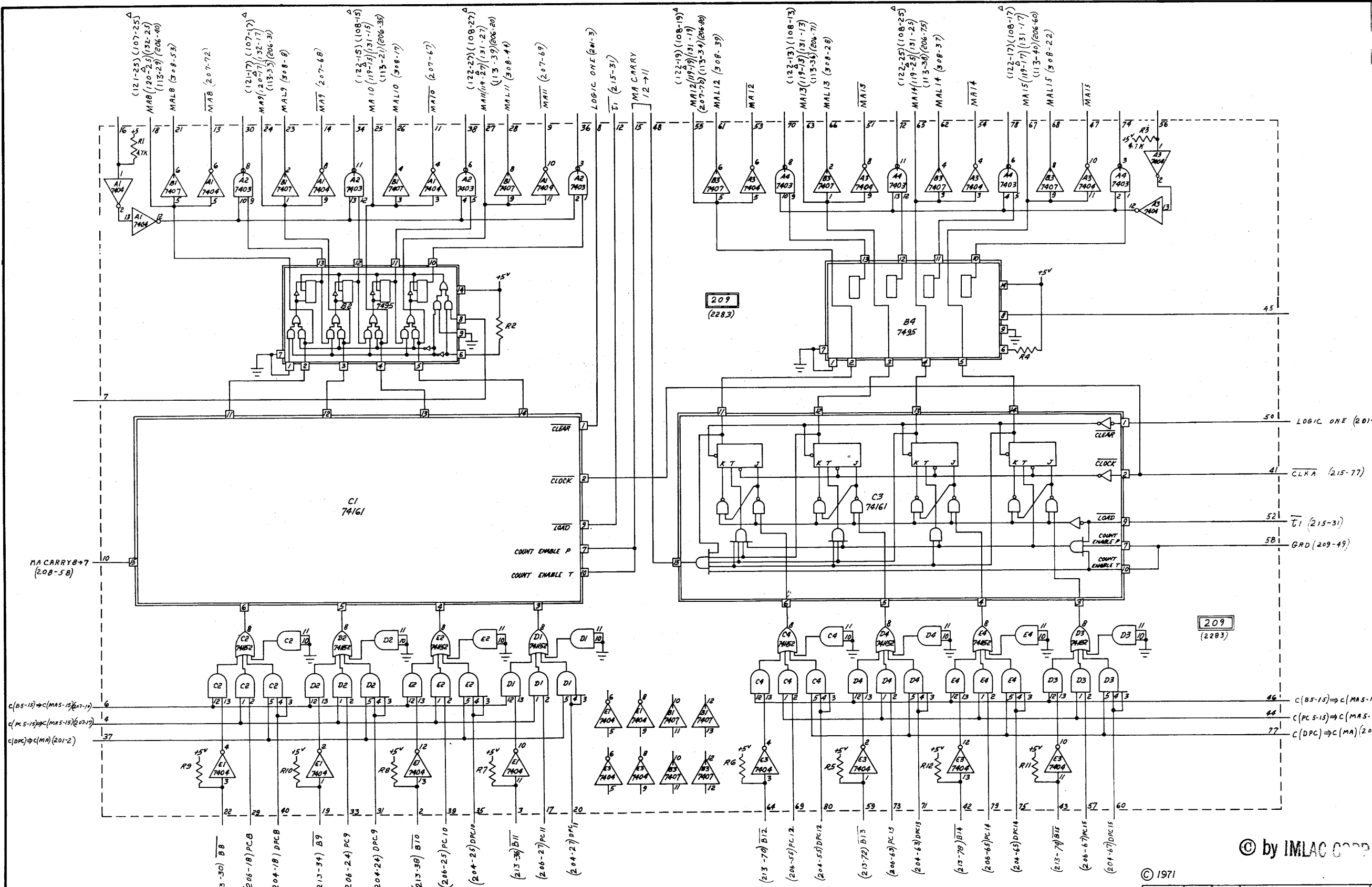
© by IMLAC CORP. 1970, 1971, 1972

© 1971

3. Δ FOR 16K CONFIGURATION ONLY
 2 * FOR 8K CONFIGURATION ONLY
 1. ALL RESISTORS, UNLESS OTHERWISE SPECIFIED, ARE 1/8 WATT, 330 Ω.
 NOTES:

LAYOUT	BY	DATE	 IMLAC CORPORATION 288 NEWTON STREET WALTHAM, MASSACHUSETTS 02154	TITLE		
DRAWN	R.T.M.	11MART		MEMORY ADDRESS REGISTER		
CHECKED	R.T.M.	11MART		BITS 1-7		
APPROVED	C.B.A.	21MART		PREFIX	SIZE	DRAWING NUMBER
ISSUE				L	D	816-A
COPIED			Scale		Sheet	
MATERIAL			PROJECT	PROD		

REV	EDN	DATE	DFTM	APRV
A	-	8-25-71	J.V.	J.P.B.
B	-	28 SEP 71	G.B.	J.P.B.
C	-	27 DEC 71	R.T.M.	



MA CARRY B → 7 (208-58)

MA CARRY 12 → 11

LOGIC ONE (201-3)

CLKA (215-77)

T1 (215-31)

GRD (209-49)

C (B5-13) → C (MA5-13) (207-10)

C (PC5-15) → C (MA5-15) (207-17)

C (DPC) → C (MA) (201-2)

(213-30) B8

(206-18) PCB

(204-18) DPCB

(213-34) B9

(206-24) PC9

(204-24) DPC9

(213-38) B10

(206-25) PC10

(204-25) DPC10

(213-39) B11

(206-27) PC11

(204-27) DPC11

(213-70) B12

(206-53) PC12

(204-53) DPC12

(213-72) B13

(206-63) PC13

(204-63) DPC13

(213-78) B14

(206-65) PC14

(204-65) DPC14

(213-79) B15

(206-67) PC15

(204-67) DPC15

© by IMLAC CORP 1970 1971 1972

© 1971

LAYOUT	BY	DATE
DRAWN	R.T.M.	3 MAR 71
CHECKED	R.T.M.	3 MAR 71
APPROVED	C.B.A.	3 MAR 71
ISSUE		
COPIED		
MATERIAL		

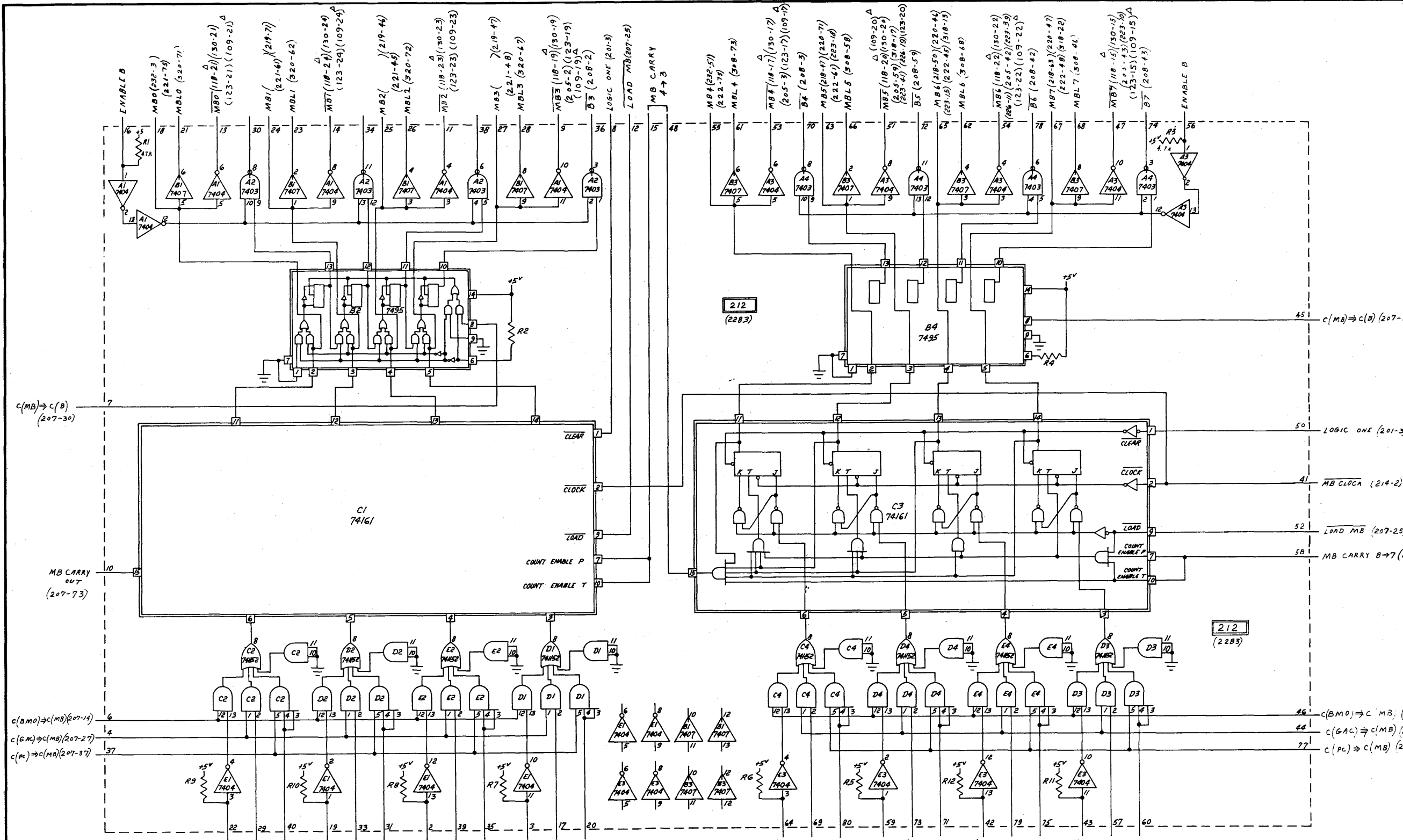
PROJECT PROD

TITLE	MEMORY ADDRESS REGISTER BITS 8-15
PREFIX	L D
SIZE	817-A
DRAWING NUMBER	817-A
REV.	C
Scale	Sheet

2 Δ USED ON 16K ONLY
 ALL RESISTORS, UNLESS OTHERWISE SPECIFIED, ARE 1/8 WATT, 330 Ω.

NOTES:

REV	EDN	DATE	DESK	APPRV
A		8-25-71	J.V.	JAB
B		1-28-71	H.M.	JAB
C		2-8-71	G.B.	JAB
D		27 DEC 71	R.T.M.	



c(MB) → c(B) (207-30)

MB CARRY OUT (207-73)

c(BMO) → c(MB) (207-14)

c(GAC) → c(MB) (207-27)

c(PC) → c(MB) (207-37)

c(MB) → c(B) (207-39)

LOGIC ONE (201-3)

MB CLOCK (214-2)

LOAD MB (207-25)

MB CARRY B → 7 (213-10)

c(BMO) → c(MB) (207-14)

c(GAC) → c(MB) (207-27)

c(PC) → c(MB) (207-37)

© by IMLAC CORP. 1970, 1971, 1972

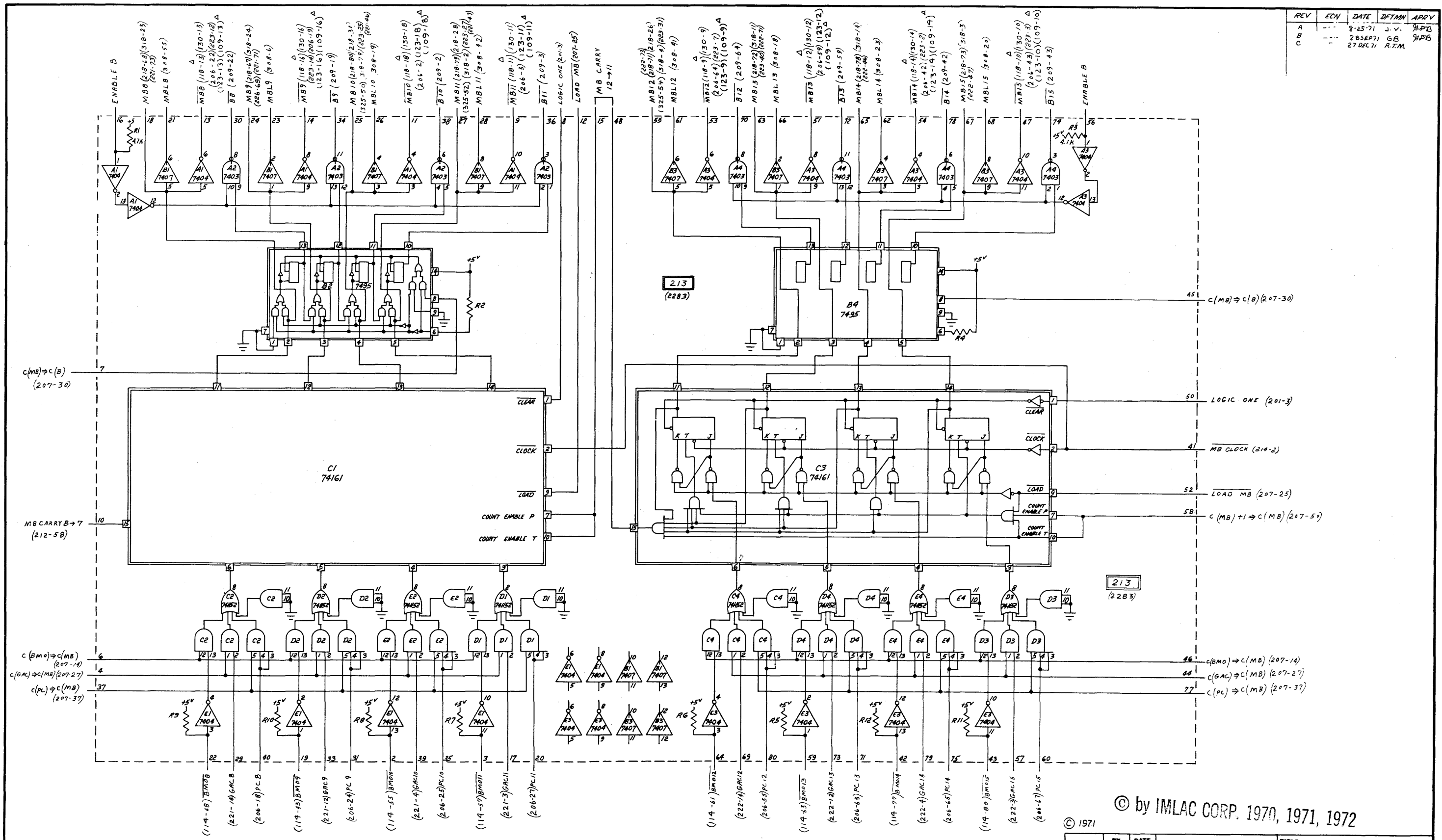
© 1971

	BY	DATE
LAYOUT	R.T.M.	3 MAR 71
DRAWN	R.T.M.	3 MAR 71
CHECKED	C.R.P.	3 MAR 71
APPROVED		
ISSUE		
COPIED		

		TITLE	
		MEMORY BUFFER	
288 NEWTON STREET WALTHAM, MASSACHUSETTS 02154		PREFIX	SIZE
		L D	818-A
PROJECT		DRAWING NUMBER	REV.
		818-A	D
PROD		Scale	Sheet

3. * USED ON 8K ONLY
 2. Δ USED ON 14K ONLY
 1. ALL RESISTORS, UNLESS OTHERWISE SPECIFIED, ARE 1/8 WATT, 330 Ω.
 NOTES:

REV	ECN	DATE	DFTMAN	APPRV
A		8-25-71	J.V.	J.P.F.
B		28 SEP 71	GB	J.P.F.
C		27 DEC 71	R.T.M.	



© 1971

© by IMLAC CORP. 1970, 1971, 1972

BY DATE		TITLE	
LAYOUT	R.T.M. 4MRR71	MEMORY BUFFER	
DRAWN	R.T.M. 4MRR71	BITS 8-15	
CHECKED	C.B.A. 4MRR71	PROJECT	
APPROVED		PROD	
ISSUE		MATERIAL	
COPIED		SCALE	

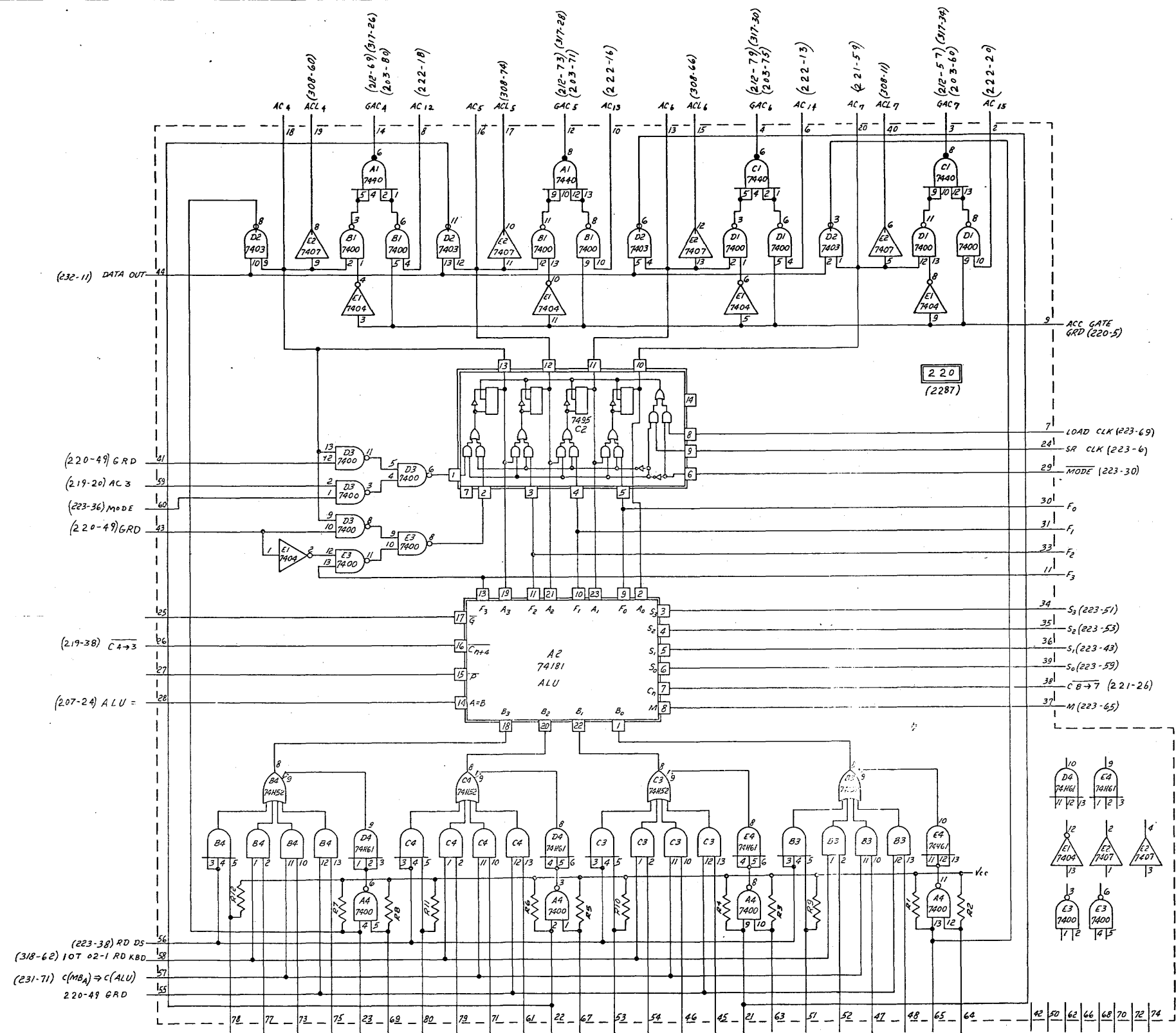
2. Δ USED ON 16K ONLY

1. ALL RESISTORS, UNLESS OTHERWISE SPECIFIED, ARE 1/4 WATT, 330 Ω

NOTES:

REV	SIZE	DRAWING NUMBER	REV.
L	D	819-A	C
Scale		Sheet	

REV	ECN	DATE	BY	CHKD	APPV
A	-	18 JUN 71	H.C.M.	C.B.A.	
B	-	20 JUN 71	H.C.M.	C.B.A.	
C	-	23 JUN 71	H.C.M.	C.B.A.	
D	-	28 JUN 71	H.C.M.	C.B.A.	
E	-	15 JUL 71	H.C.M.	C.B.A.	
F	-	24 JUL 71	W.J.F.	C.B.A.	
G	-	1 AUG 71	H.C.M.	C.B.A.	
H	-	18 JUN 71	H.C.M.	C.B.A.	



- 23 - E10₄ (319-10)
 - 22 - E10₅ (319-11)
 - 21 - E10₆ (319-12)
 - 65 - E10₇ (319-13)
 - 69 - A1₄ (322-24)(317-25)(316-48)
 - 67 - A1₅ (322-26)(317-27)(316-47)
 - 63 - A1₆ (322-28)(317-29)(316-52)
 - 64 - A1₇ (322-30)(317-33)(316-53)
- DETAIL "A-A"

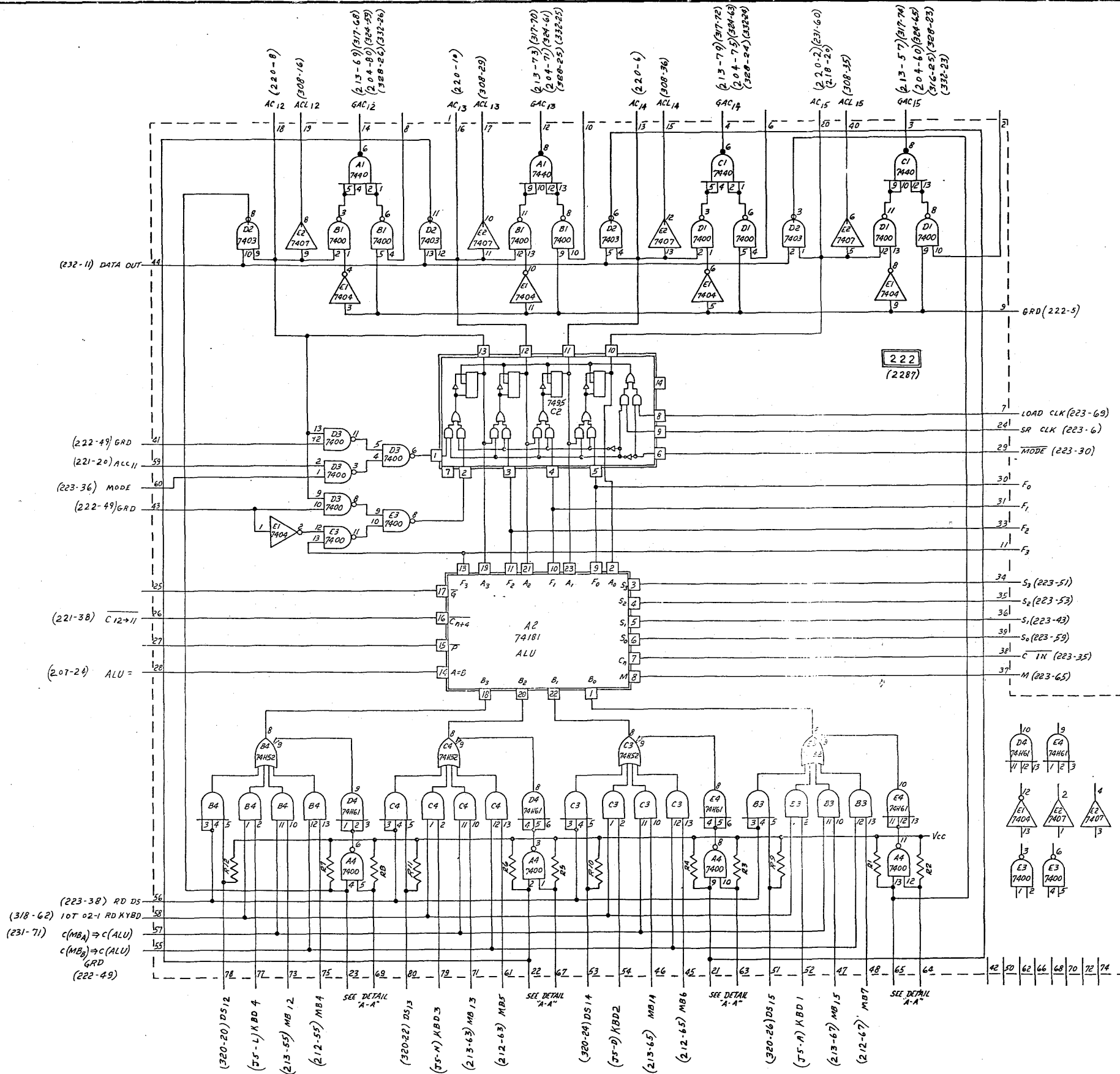
(380-1E) DS4
 (220-7) GRD
 (232-47) GMB 4
 SEE DETAIL "A-A"
 (320-14) DS5
 (35-N) KBD RPT
 (212-63) MB 5
 SEE DETAIL "A-A"
 (320-16) DS6
 (35-F) KBD CTRL
 (212-65) MB 6
 SEE DETAIL "A-A"
 (320-18) DS7
 (35-B) KBD SHFT
 (212-67) MB 7
 SEE DETAIL "A-A"

1 ALL RESISTORS, UNLESS OTHERWISE SPECIFIED, ARE 1/8 W 330-Ω.
 NOTES:

© by IMLAC CORP 1970 1971 1972

BY		DATE	TITLE
LAYOUT	R.T.M.	3-17-71	
DRAWN	R.T.M.	3-17-71	
CHECKED	C.B.A.	17 MAR 71	
APPROVED			
ISSUE			
COPIED			
MATERIAL	PROJECT	PROD	
PREFIX	SIZE	DRAWING NUMBER	REV.
L	D	822	1
Scale			Sheet

REV	ECN	DATE	DESIGN	APPV
A	-	19 MAR 71	H.C.M.	C.B.A.
B	-	20 MAR 71	H.C.M.	C.B.A.
C	-	26 MAR 71	H.C.F.	C.B.A.
D	-	18 MAR 71	H.C.M.	C.B.A.
E	-	26 MAR 71	H.C.F.	C.B.A.
F	-	26 MAR 71	H.C.F.	C.B.A.
G	-	1 Jun 71	H.C.M.	H.D.B.
H	-	9 Jun 71	H.C.M.	
I	-	8-26-71	J.V.	R.T.M.



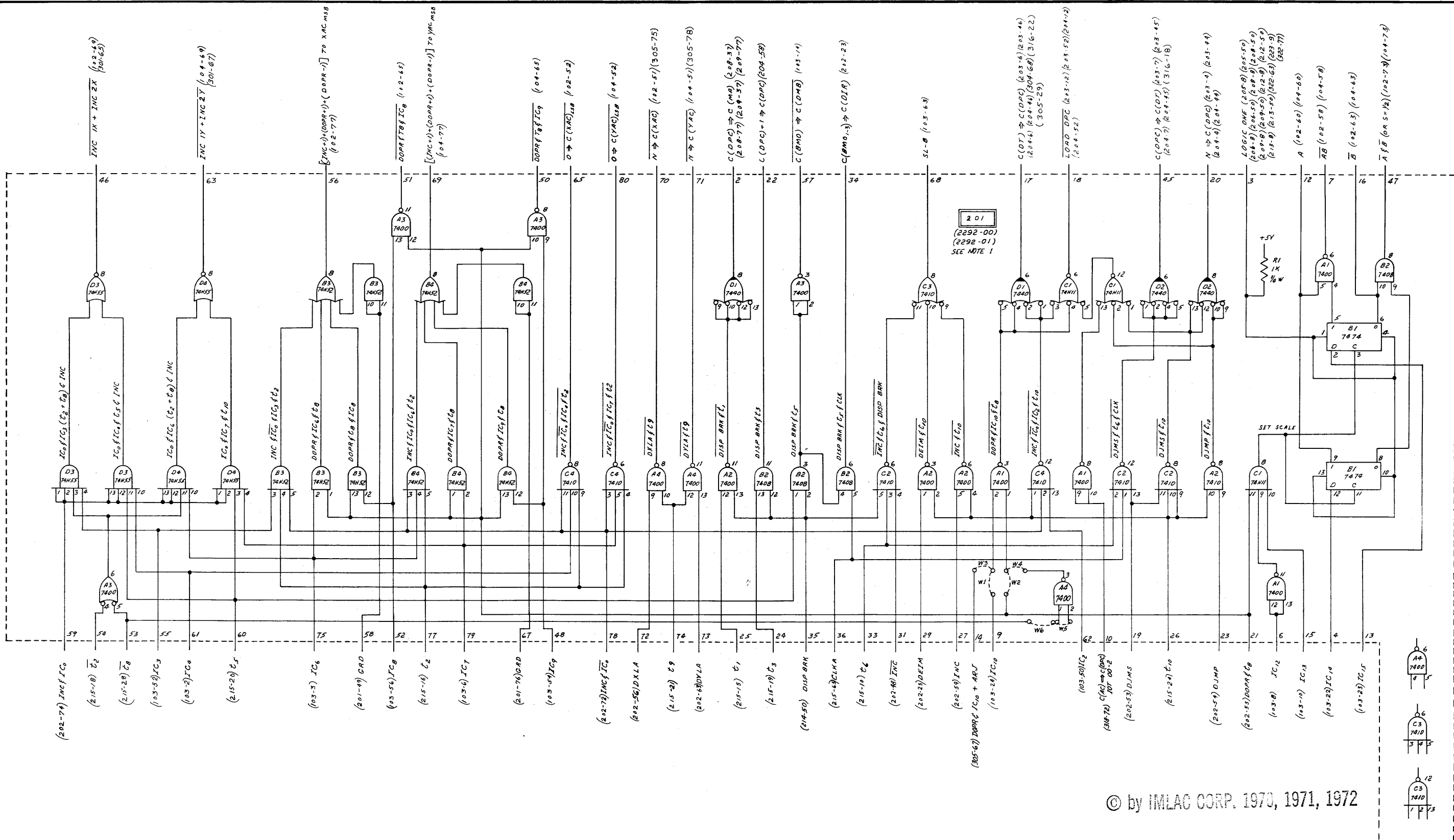
- 23 - E10 12 (319-18)
- 22 - E10 13 (319-19)
- 21 - E10 14 (319-20)
- 65 - E10 15 (319-21)
- 69 - A1 12 (322-68)(317-67)(323-59)(316-65)(327-66)
- 67 - A1 13 (322-70)(317-69)(323-61)(316-67)(327-80)
- 63 - A1 14 (322-72)(317-71)(323-63)(316-74)(327-77)
- 64 - A1 15 (322-74)(317-73)(323-65)(316-69)(316-31)(327-78)

DETAIL A-A"

© by IMLAC CORP. 1970, 1971, 1972

LAYOUT		BY	DATE	 IMLAC CORPORATION 288 NEWTON STREET WALTHAM, MASSACHUSETTS 02154	TITLE	
DRAWN		R.T.M.	3-17-71		ACCUMULATOR & INPUT MIXER BITS 12-15	
CHECKED		R.T.M.	3-17-71		PREFIX	SIZE
APPROVED		C.B.A.	17 MAR 71		L	D
ISSUE					DRAWING NUMBER	
COPIED					824	
MATERIAL				Scale	Sheet	
PROJECT				PROD		

NOTES: ALL RESISTORS, UNLESS OTHERWISE SPECIFIED, ARE 1/8 W. 330-Ω.



© by IMLAC CORP. 1970, 1971, 1972

1. W1 & W2 USED FOR 2292-00
 W3, W4, W5, & W6 USED FOR 2292-01.
 (USED WITH SUPR GRID OPTION)

NOTES:

M	23 Nov 72	H.C.M.
L	17 Dec 71	H.C.M.
K	18 Dec 71	H.C.M.
J	9-28-71	R.T.M.
I	7 Jun 71	H.C.M.
H	3 Jun 71	G.B.
G	19 May 71	R.T.M.
F	15 Mar 71	H.C.M.
E	12 Apr 71	J.V.
D	26 Mar 71	H.C.M.
C	20 Mar 71	H.C.M.
B	20 Mar 71	H.C.M.
A	3-19-71	R.T.M.

© 1971

LAYOUT	J.V.	3-5-71
DRAWN	J.V.	3-8-71
CHECKED	C.B.A.	3-15-71
APP'G. FD.		
ISSUE		
COPY'D		
MAINT'AL		

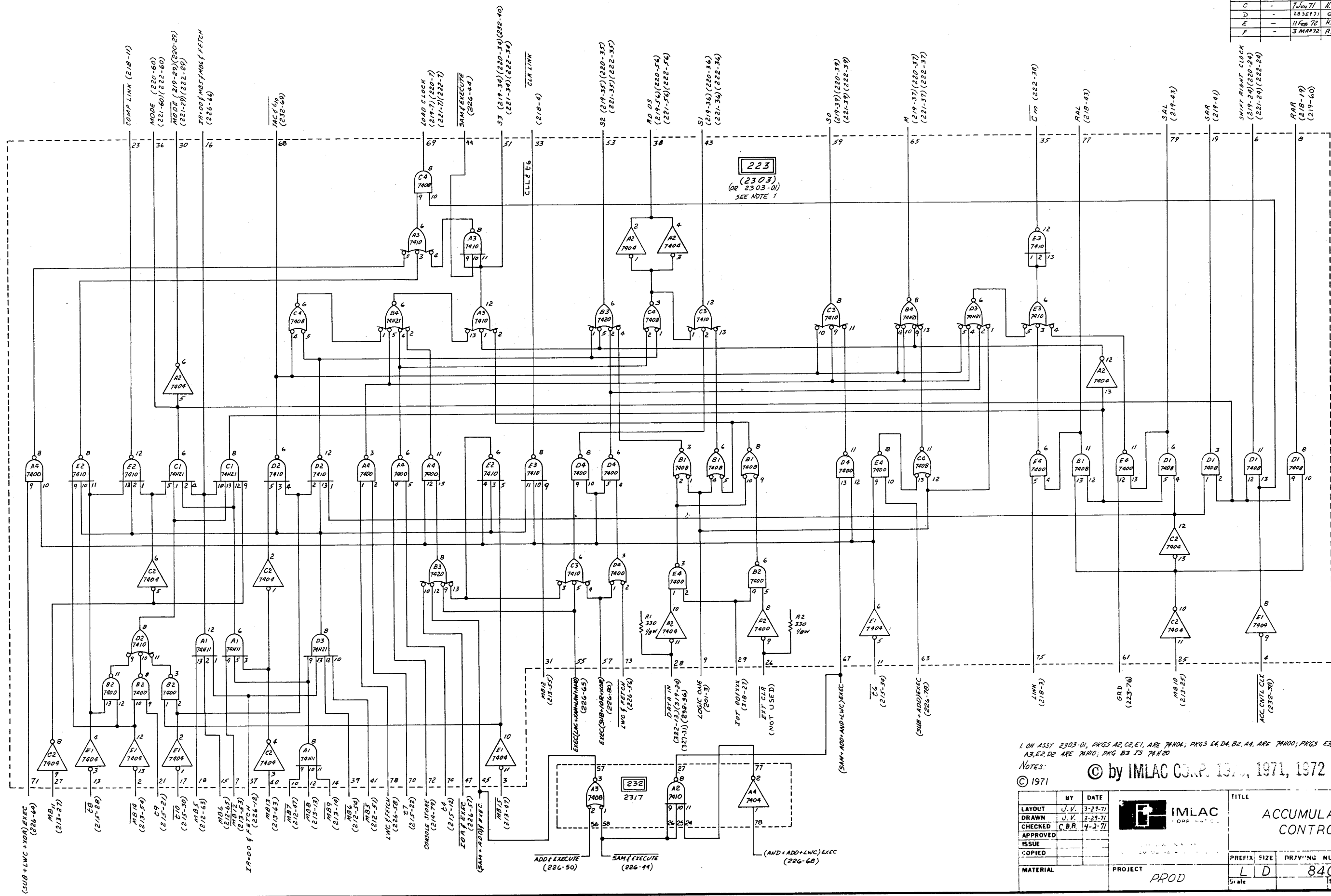


DISPLAY CONTROL CARD

PLT. SIZE	DRAWING NUMBER	REV.
L D	838	M
Scale	Sheet	

PROD

REV	ECN	DATE	DFTM	APP'D
				C.B.R.
B	-	3 JUN 71	G.B.	93B
C	-	7 JUN 71	H.C.M.	
D	-	28 SEP 71	G.B.	70B
E	-	11 FEB 72	H.C.M.	
F	-	3 MAR 72	R.T.M.	

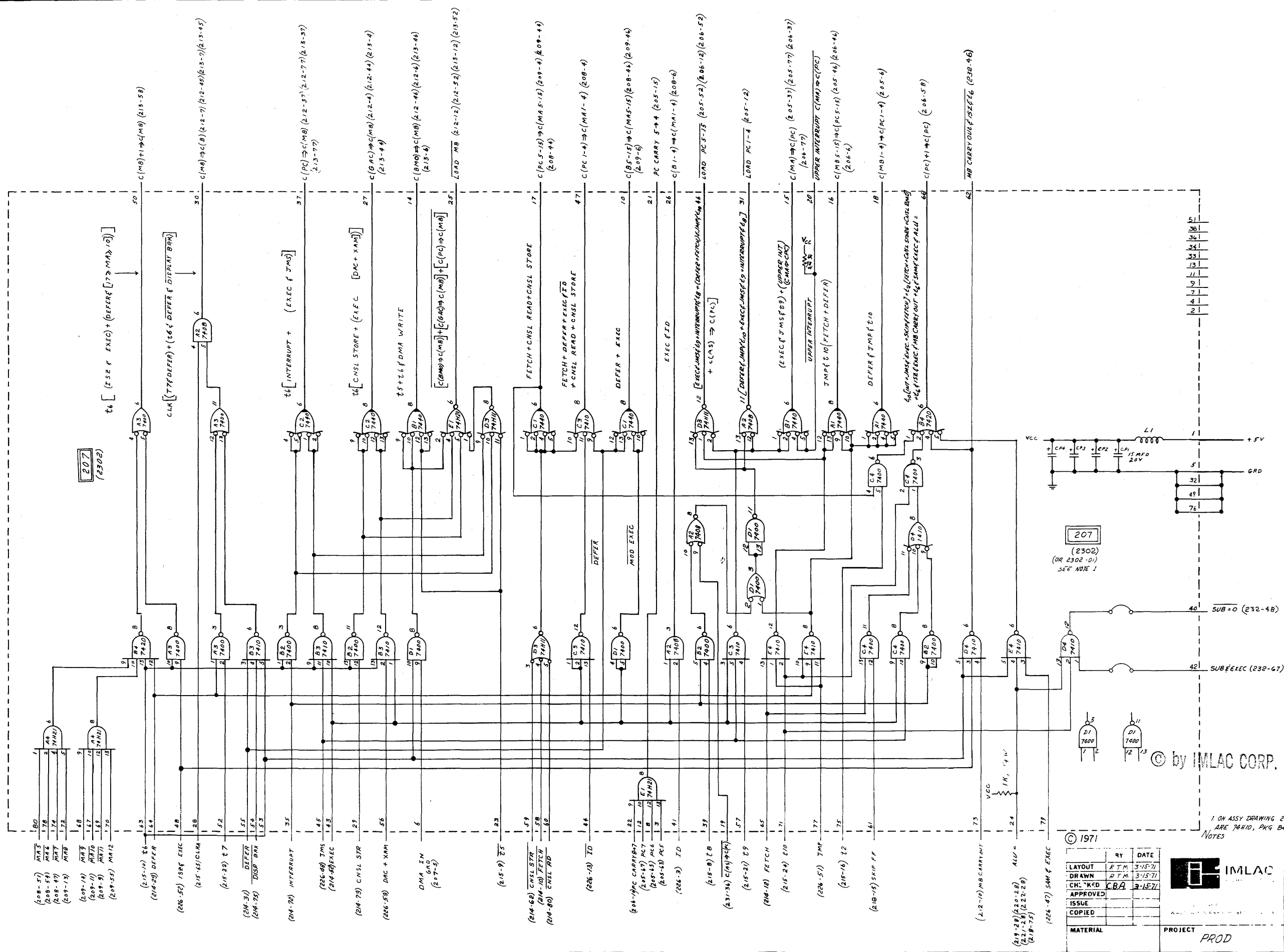


1. ON ASSY 2303-01, PKGS A2, C2, E1, ARE 7410; PKGS EA, DA, B2, A4, ARE 7400; PKGS E3, C3, A3, E2, D2 ARE 7410; PKG B3 IS 7410

NOTES: © by IMLAC CORP. 1971, 1972

LAYOUT		BY	DATE	TITLE
DRAWN		J.V.	3-27-71	
CHECKED		J.V.	3-27-71	
APPROVED		C.B.R.	4-2-71	PROJECT PROD
ISSUE				
COPIED				PREFIX LD
MATERIAL				
				REV. F

REV	ECN	DATE	DFTM	APRV
A	-	3-19-71	R.T.M.	C.B.A.
B	-	22 MAR 71	H.C.M.	C.B.A.
C	-	26 MAR 71	N.J.F.	C.B.A.
D	-	4-7-71	J.V.	
E	-	17 MAY 71	N.J.F.	
F	-	19 MAY 71	R.T.M.	
G	-	2 JUN 71	GG	4PB
H	-	7 JUN 71	H.C.M.	HPA
J	-	23 JUN 71	GG	
K	-	12 JUL 71	H.C.M.	
L	-	2 Dec 71	H.C.M.	
M	-	11 Feb 72	H.C.M.	
N	-	2-28-72	J.V.	



207
(2302)
OR 2302-01
SEE NOTE 1

© by IMLAC CORP. 1970, 1971, 1972

1 ON ASSY DRAWING 2302-01, PKG A3 IS 7400; PKGS D4, E4, ARE 7410; PKG B4 IS A 7420
NOTES

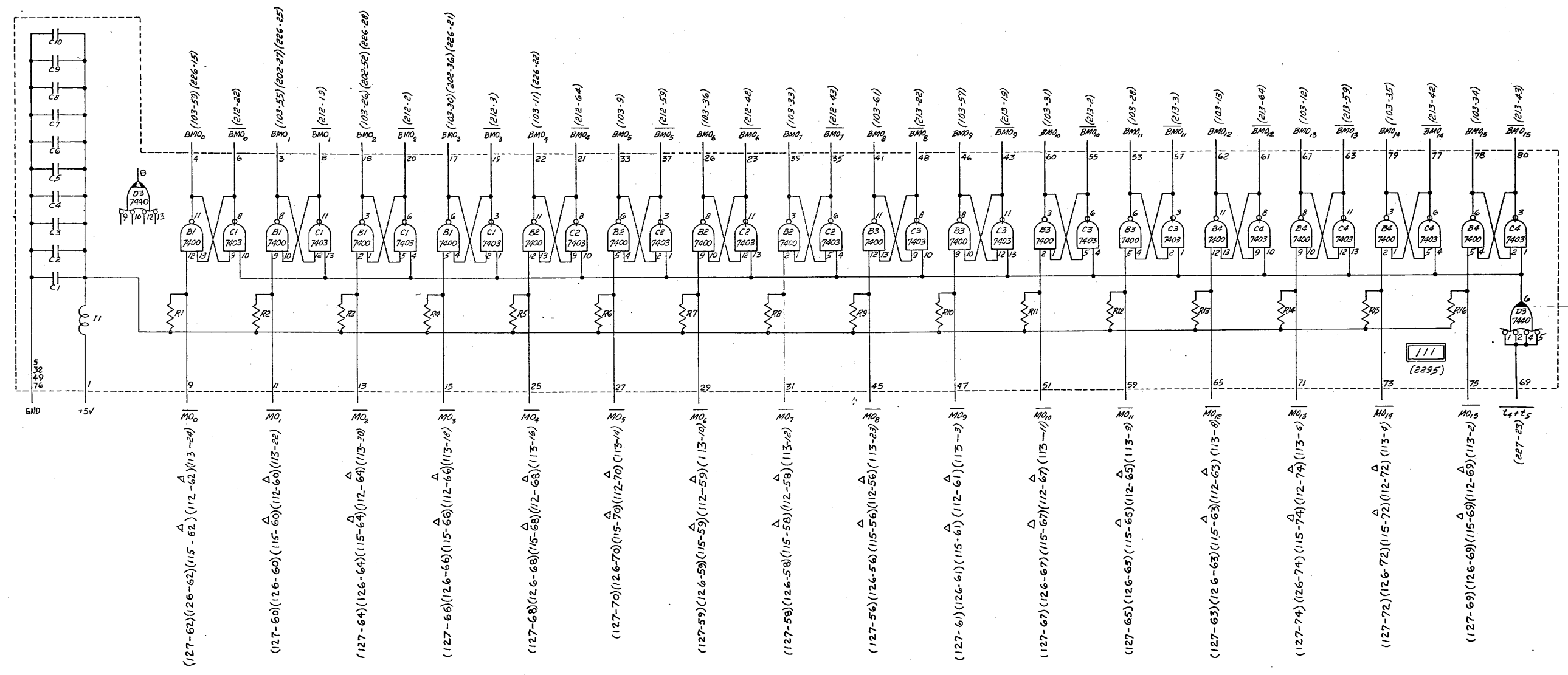
REV	BY	DATE
LAYOUT	R.T.M.	3-15-71
DRAWN	R.T.M.	3-15-71
CHK'D	C.B.A.	3-15-71
APPROVED		
ISSUE		
COPIED		
MATERIAL		



TITLE
PC, MB, & MA
CNTL

PREFIX	SIZE	DRAWING NO.	REV.	REV.
L		842		N
Scale				Sheet

REV	ECN	DATE	DFTMN	APPRV
A	--	8-25-71	G.V.	W.P.B.
B	--	28 SEP 71	G.B.	W.P.B.



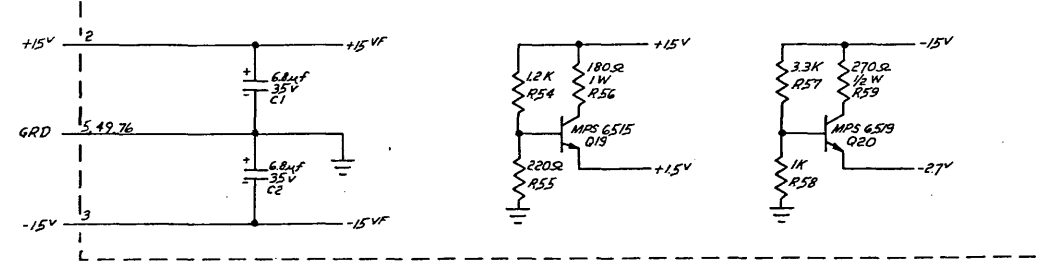
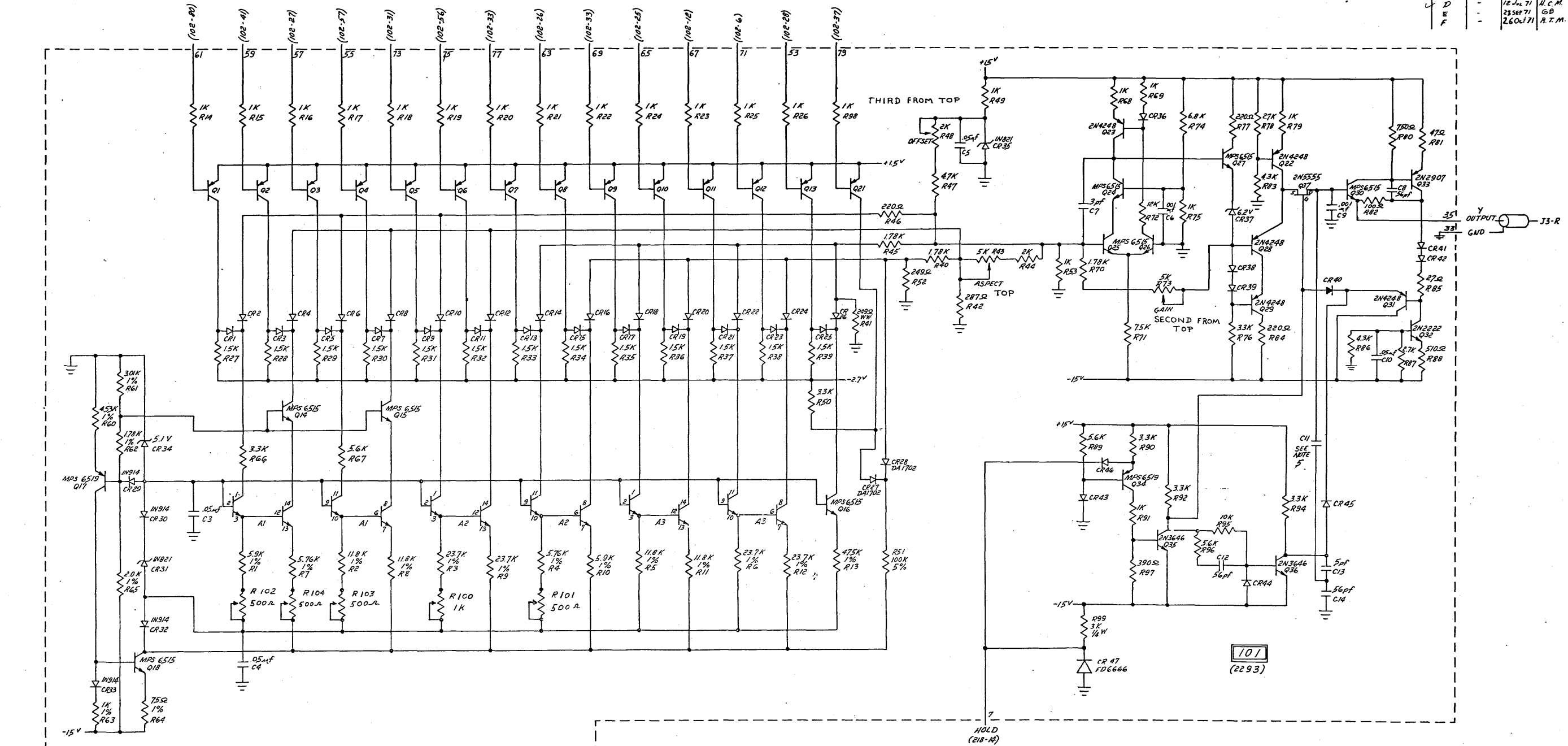
© by IMLAC CORP. 1970, 1971, 1972

BY		DATE	IMLAC CORPORATION 288 NEWTON STREET WALTHAM, MASSACHUSETTS 02154	TITLE											
LAYOUT	H.C.M.	5 Mar 71		<table border="1"> <tr> <td>PREFIX</td> <td>SIZE</td> <td>DRAWING NUMBER</td> <td>REV</td> </tr> <tr> <td>L</td> <td>D</td> <td>843-A</td> <td>B</td> </tr> <tr> <td colspan="2">Scale</td> <td colspan="2">Sheet</td> </tr> </table>	PREFIX	SIZE	DRAWING NUMBER	REV	L	D	843-A	B	Scale		Sheet
PREFIX	SIZE	DRAWING NUMBER	REV												
L	D	843-A	B												
Scale		Sheet													
DRAWN	H.C.M.	8 Mar 71													
CHECKED	C.B.A.	3-17-71													
APPROVED															
ISSUE															
COPIED															
PROJECT			PROD												

2. Δ USED ON 16K ONLY
1. RESISTORS R1-R16 ARE 1K 1/8 W.

NOTES:

REV	ECN	DATE	DFN	APP'V
A	-	25/2/71	A.S.F.	(C.E.)
B	-	20/7/71	R.T.M.	(C.E.)
C	-	17/4/71	R.C.M.	(C.E.)
D	-	12/4/71	R.C.M.	(C.E.)
E	-	23/4/71	G.B.	(C.E.)
F	-	26/1/71	R.T.M.	(C.E.)



7. DO NOT INSTALL Q37 UNTIL FINAL TEST.
6. RESISTORS RT1 - RT4 ARE CARBON COMP, 1/4 W 5% WITH VALUES WHICH ARE DETERMINE AT FINAL ELECTRICAL TEST, ALSO TO RT 7
5. CAPACITOR VALUE TO BE ADJUSTED FOR MINIMUM PEDESTAL PER THE TEST PROCEDURE.
4. ALL RESISTORS ARE 1/4 W CARBON COMP, UNLESS OTHERWISE SPECIFIED.
3. A1, A2, A3 ARE RCA CA 3046 TRANSISTOR ARRAYS.
2. ALL DIODES ARE DA 1702, UNLESS OTHERWISE SPECIFIED.
1. Q1 - Q13, Q22 ARE 2N5055.

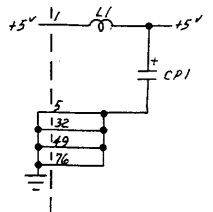
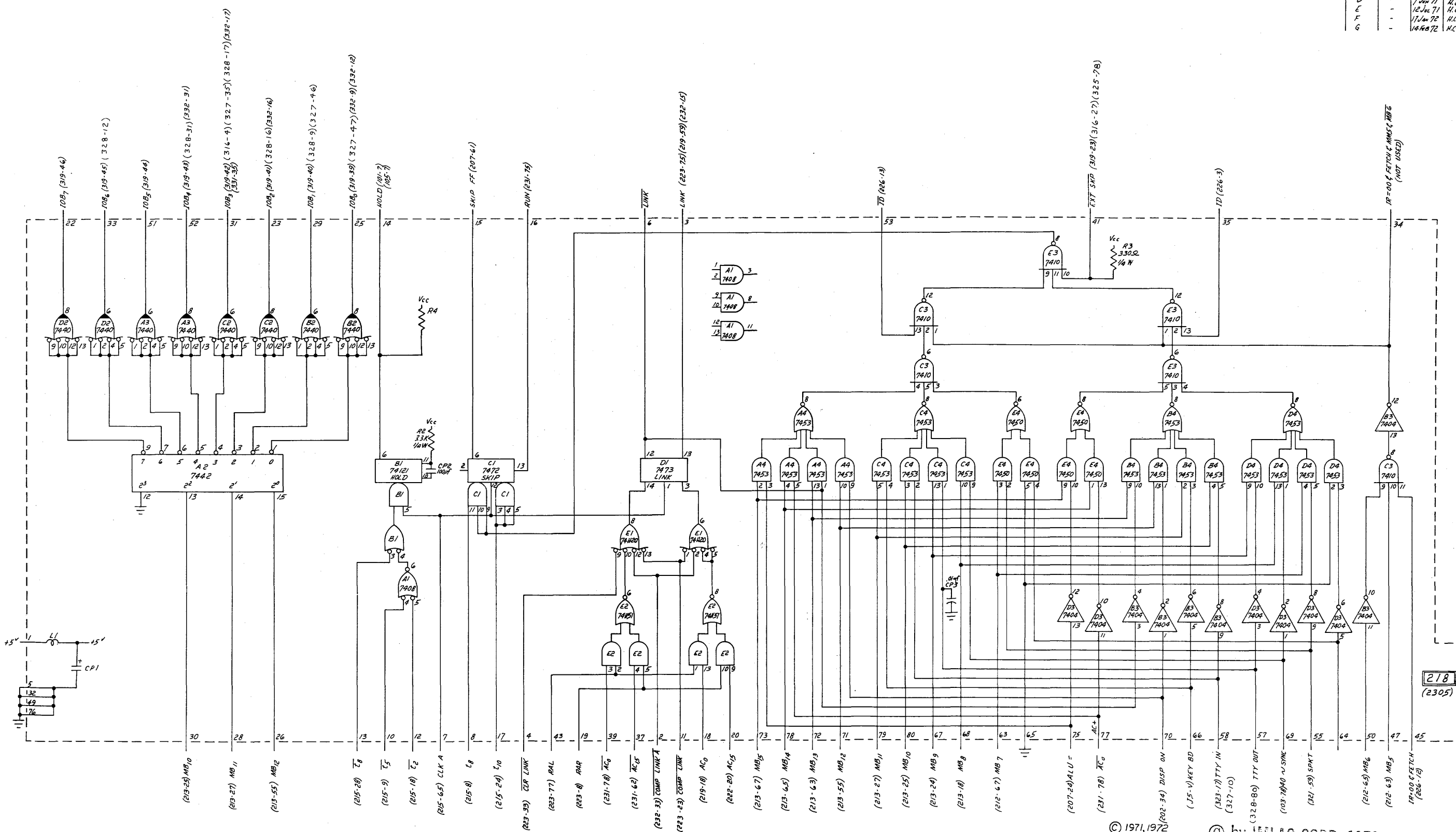
NOTES:

© by IMLAC CORP. 1970, 1971, 1972

© 1971

BY	DATE	 IMLAC CORPORATION 288 NEWTON STREET WALTHAM, MASSACHUSETTS 02154	TITLE		
LAYOUT	H.C.M. 18/6/71		D TO A CONVERTER X AXIS		
DRAWN	H.C.M. 22/6/71		PREFIX	SIZE	DRAWING NUMBER
CHECKED	C.B.B. 23/6/71		844		
APPROVED			PROJECT	PROD	
ISSUE			Scale	Sheet	
COPIED					
MATERIAL					

REV	ECN	DATE	DFTM	APP'V
A	-	11 MAY 71	H.C.M.	C.B.A.
B	-	15 MAY 71	H.C.M.	C.B.A.
C	-	3 JUN 71	G.B.	C.B.A.
D	-	7 JUN 71	H.C.M.	
E	-	12 JUL 71	H.C.M.	
F	-	17 JUL 72	H.C.M.	
G	-	14 FEB 72	H.C.M.	



218
(2305)

© 1971, 1972

© by IMLAC CORR. 1970, 1971, 1972

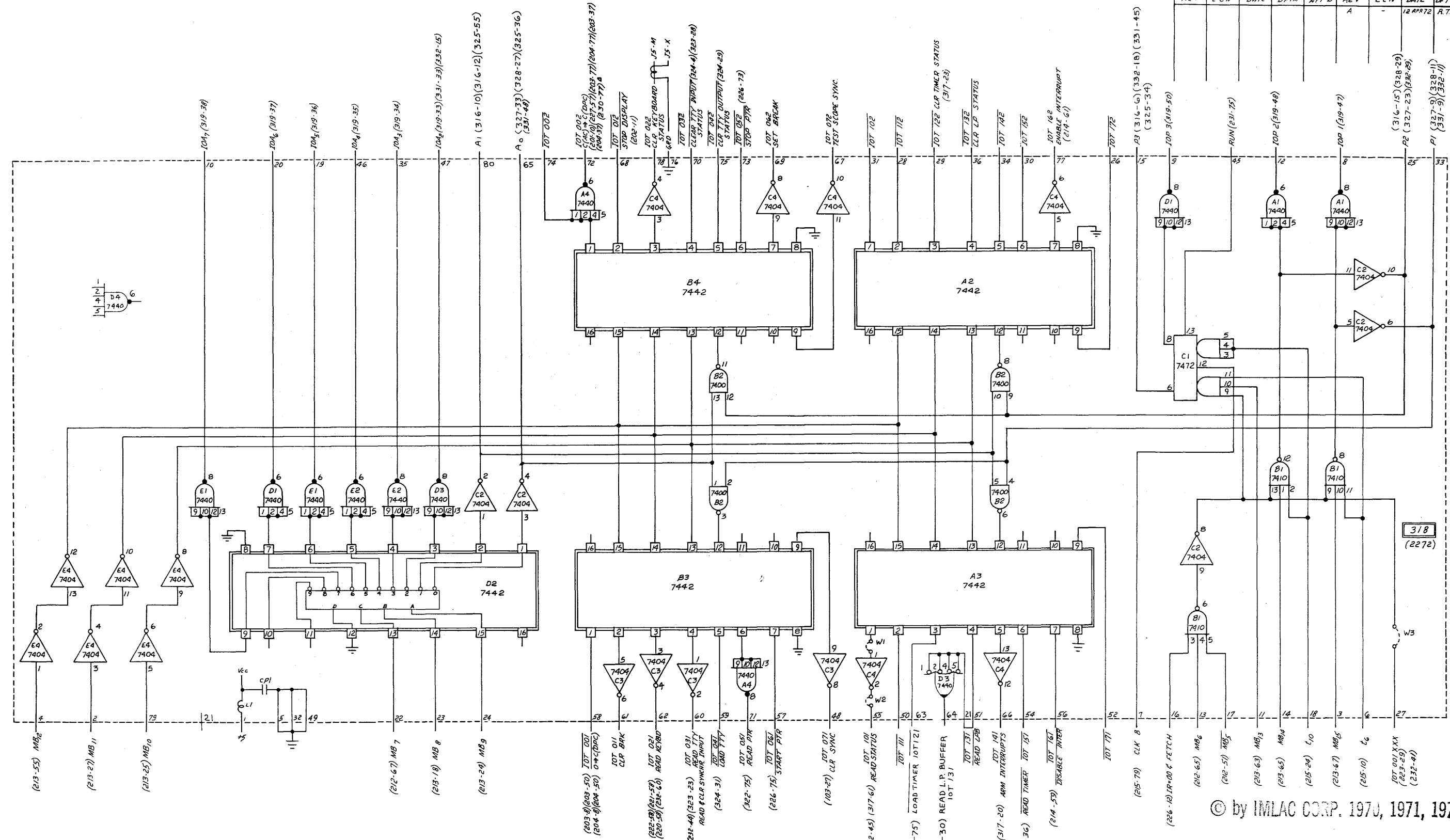
LAYOUT	BY	DATE
DRAWN	H.C.M.	2 Apr 71
CHECKED	H.C.M.	2 Apr 71
APPROVED		
ISSUE		
COPIED		




SKIP & LINK

MATERIAL	PROJECT	PREFIX	SIZE	DRAWING NUMBER	REV
	PROD	L	D	845	G
		Scale		Sheet	

REV	ECN	DATE	DFTM	APP'D	REV	ECN	DATE	DFTM	APP'V
					A		12 APR 72	R.T.M.	

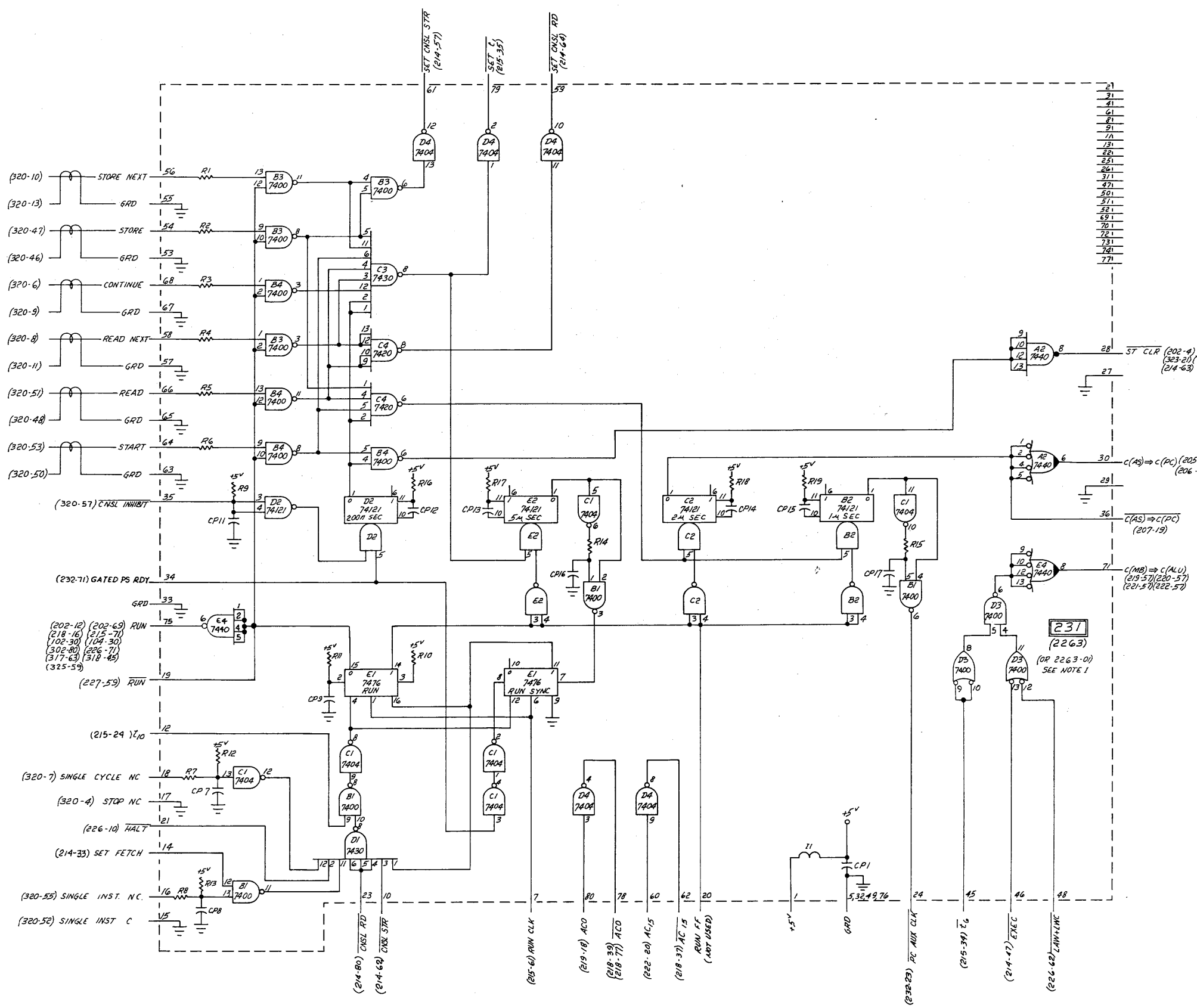


© by IMLAC CORP. 1970, 1971, 1972

© 1971, 1972		DRAWING MADE FROM 847 12 APR 72 R.T.M.	
LAYOUT	BY DATE	 IMLAC CORPORATION	TITLE
DRAWN	H.C.M. 19 Mar 71		IOT CONTROL
CHECKED	C.B.R. 3-19-71		
APPROVED			
ISSUE			
MATERIAL		PROJECT	Scale
		PROD	L D
		DRAWING NUMBER	P&V
		847-A	A
		Sheet	

NOTE: Δ USED ON 16K ONLY

REV	ECN	DATE	DFW	APPRV
B	-	23 Jun 71	GB	22-B
C	-	7 Jul 71	H.C.M.	
D	-	8-26-71	J.V.	
E	-	11 Feb 72	H.C.M.	



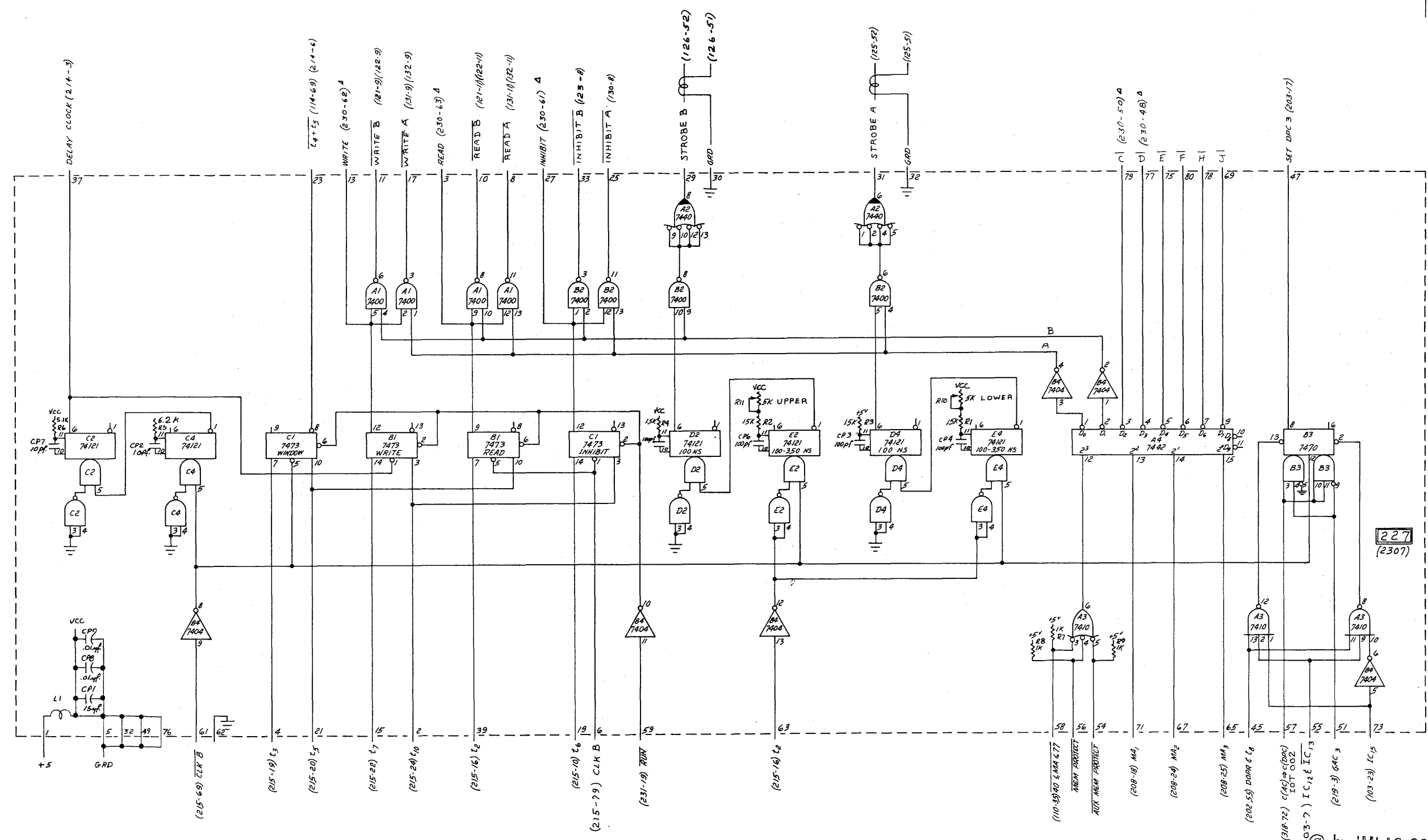
© by IMLAC CORP 1970, 1971, 1972

1. ON ASSY DWG 2263-01, PKG D3 IS A 7400N, PKG E4 IS A 74100
 NOTES:

© 1971

LAYOUT	BY	DATE	TITLE
DRAWN	H.C.M.	26 MAR 71	RUN CONTROL
CHECKED	H.C.M.	29 MAR 71	
APPROVED	C.B.A.	29 MAR 71	
ISSUE			
U. MED			
MATE. IA:			
PROJECT	PROD		
PREFIX	L D	DRAWING NUMBER	848
Scale		Sheet	E

REV	ECN	DATE	DFTM	APRV
A	-	11 APR 72	R.T.M.	



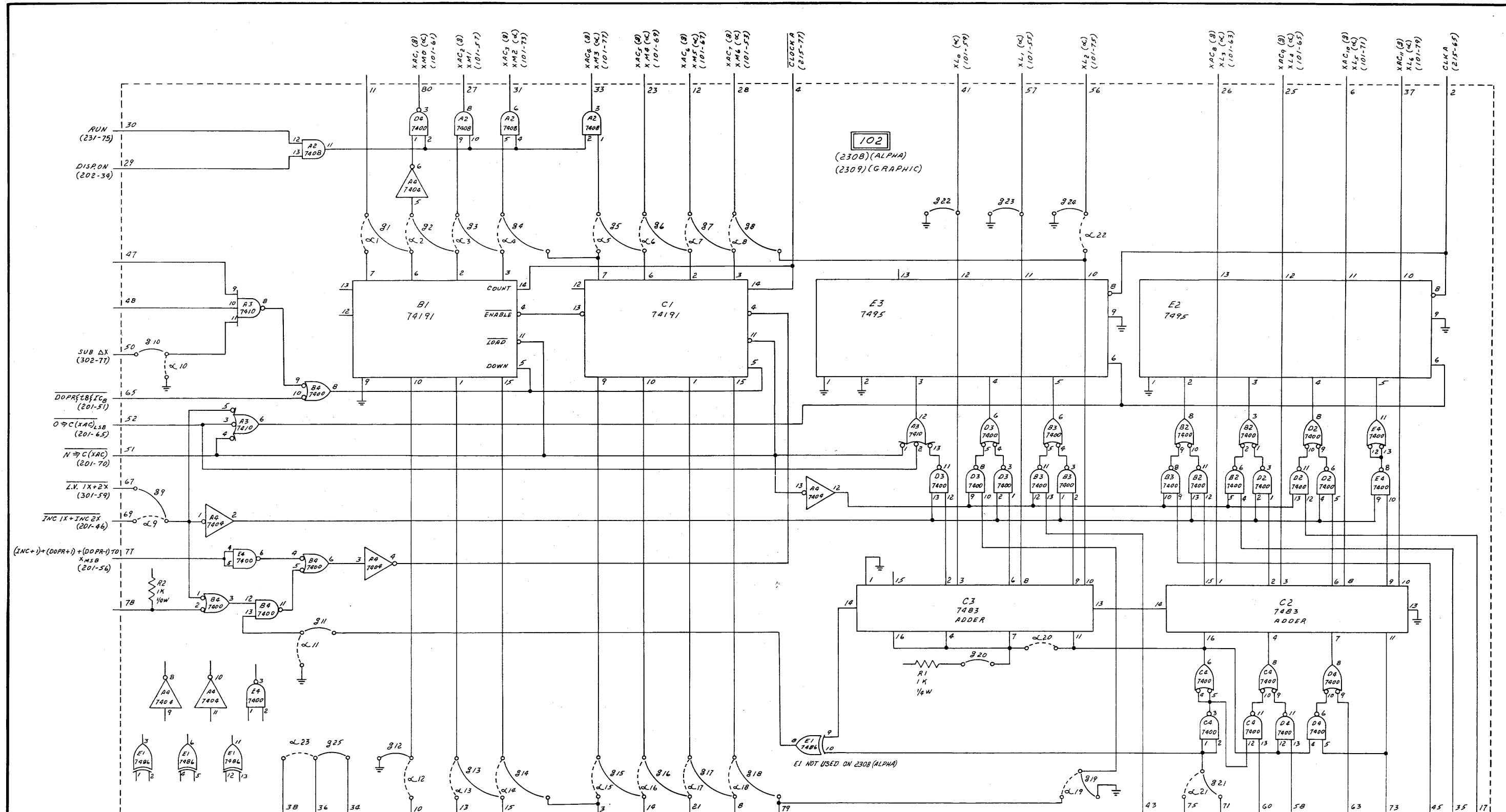
227
(2307)

© by IMLAC CORP. 1970, 1971, 1972

NOTE 1: Δ USED ON 16K ONLY

© 1971 MADE FROM 849 15 DEC 71 R.T.M.

BY DATE		IMLAC	TITLE
LAYOUT	H.C.M. 30 MAR 71		
DRAWN	H.C.M. 31 MAR 71		
CHECKED	C.B.P. 11 APR 72		
APPROVED			
ISSUE			
COPIED			
MATERIAL	PROJECT	PROD	PREFIX SIZE
			L D
			DRAWING NUMBER
			849-A
			REV.
			A
			Scale
			Sheet



NOTE:
 TO USE GRAPHIC CARD WHEN LONG VECTOR NOT USED;
 ON BACK PLANE:
 1.- CONNECT IC2 TO PIN 50.
 2.- CONNECT INC IC₂ TO PIN 9B.
 3.- CONNECT PIN 3L TO PIN 3B.
 4.- CONNECT PIN 6L TO PIN 6B.
 5.- CONNECT PIN 7L TO PIN 7B.
 MACHINE CAN THEN BE USED WITH α CARD ALSO.

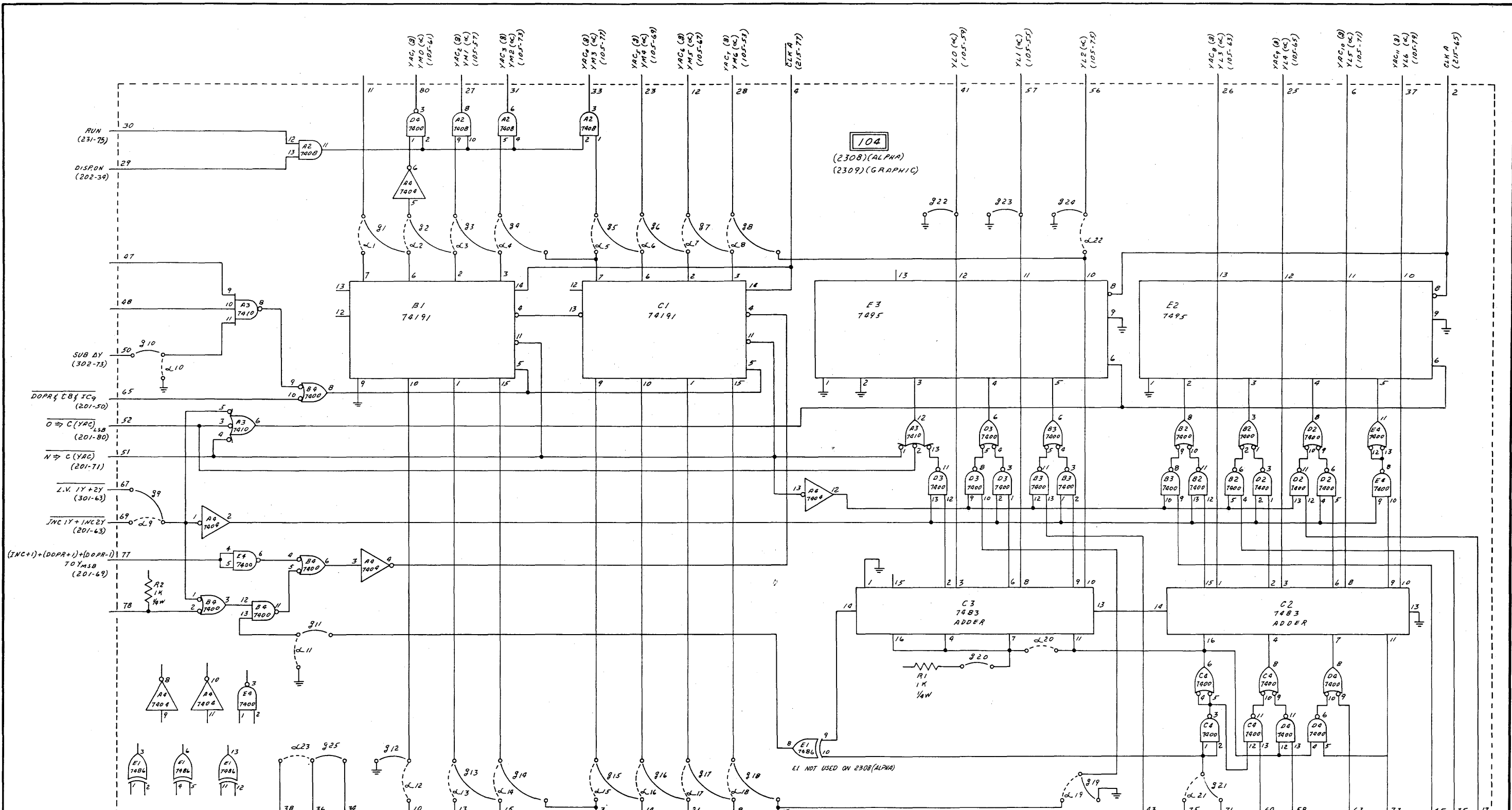
© by IMLAC CORP. 1970, 1971, 1972

REV	ECN	DATE	DTM	APP'D.
F	-	29 Dec 71	H.C.M.	
E	---	9-13-71	J.V.	
D	---	8-26-71	J.V.	
C	-	1 Jun 71	H.C.M.	
B	-	20 May 71	R.T.M.	

BY	DATE
LAYOUT	J.V. 3-22-71
DRAWN	J.V. 3-22-71
CHECKED	C.B.A. 3-25-71
APPROVED	
ISSUE	
COPIED	

MATERIAL	PROJECT	TITLE
	PROD	X DISPLAY ACCUMULATOR

PREFIX, S LT	DRAWING NUMBER	REV
L D	850	F



NOTE:
 α = CONNECTIONS FOR ALPHA MACHINE.
 β = CONNECTIONS FOR GRAPHIC MACHINE.
 TO USE GRAPHIC CARD WHEN LONG VECTOR NOT USED;
 ON BACK PANEL:
 1. CONNECT IC₆ TO PIN 50.
 2. CONNECT INC IC₆ TO PIN 48.
 3. CONNECT PIN 36 TO PIN 3B.
 4. CONNECT PIN 67 TO PIN 69.
 5. CONNECT PIN 71 TO PIN 75.
 MACHINE CAN THEN BE USED WITH α CARD ALSO.

© by IMLAC CORP. 1970, 1971, 1972

REV	ECN	DATE	DTM	APP'D

G	-	10 JAN 72	R.T.M.	111
F	-	29 Dec 71	H.C.M.	124
E	-	9-13-71	J.V.	
D	-	8-24-71	J.V.	
C	-	1 Jun 71	H.C.M.	
B	-	20 NOV 71	R.T.M.	

© 1971

LAYOUT	J.V.	3-22-71
DRAWN	J.V.	3-22-71
CHECKED	C.B.A.	4-7-71
APPROVED		
ISS' E		
CR'IED		

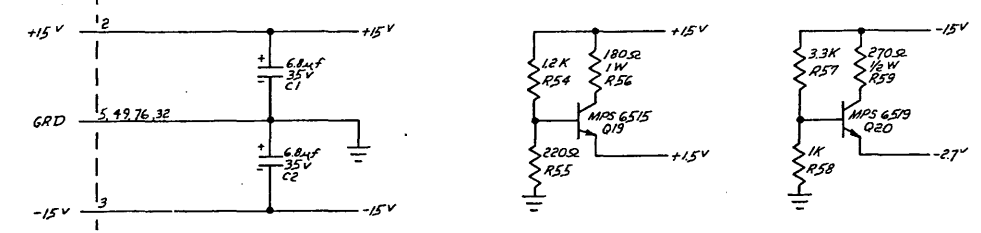
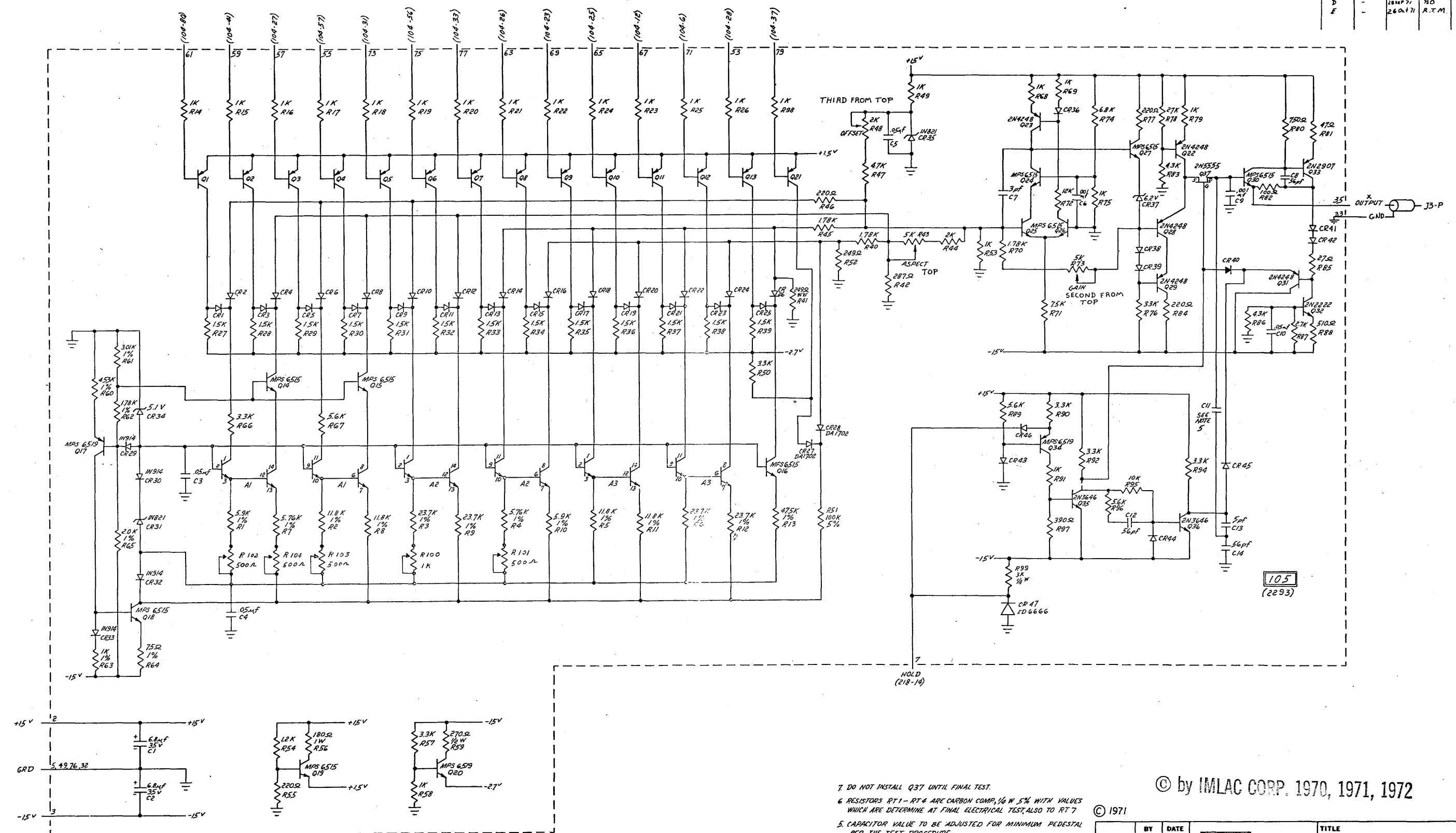
MATERIAL

PROD

PREFIX	SIZE	DRAWING NUMBER	REV.
L	D	851	G

Sheet

REV	ECN	DATE	DTM	APPV
A	-	11/24/71	J.F.	J.F.
B	-	12/04/71	A.C.M.	A.C.M.
C	-	12/04/71	A.C.M.	A.C.M.
D	-	12/18/71	A.C.M.	A.C.M.
E	-	2/6/72	R.T.M.	R.T.M.



7. DO NOT INSTALL Q37 UNTIL FINAL TEST.
6. RESISTORS RT1 - RT4 ARE CARBON COMP, 1/4 W 5% WITH VALUES WHICH ARE DETERMINE AT FINAL ELECTRICAL TEST, ALSO TO RT 7
5. CAPACITOR VALUE TO BE ADJUSTED FOR MINIMUM PEDESTAL PER THE TEST PROCEDURE.
4. ALL RESISTORS ARE 1/4 W CARBON COMP, UNLESS OTHERWISE SPECIFIED
3. A1, A2, A3 ARE RCA CA 3046 TRANSISTOR APPRAYS.
2. ALL DIODES ARE DA 1702, UNLESS OTHERWISE SPECIFIED.
1. Q1 - Q13, Q22 ARE 2N5055.

Notes:

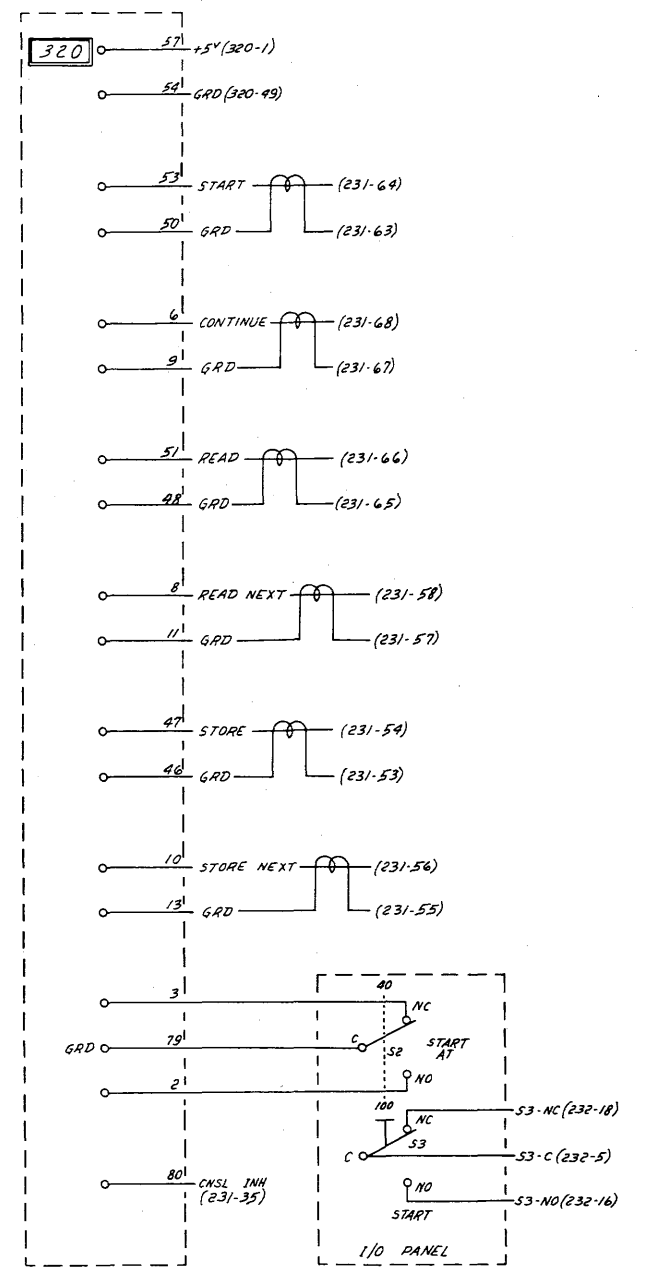
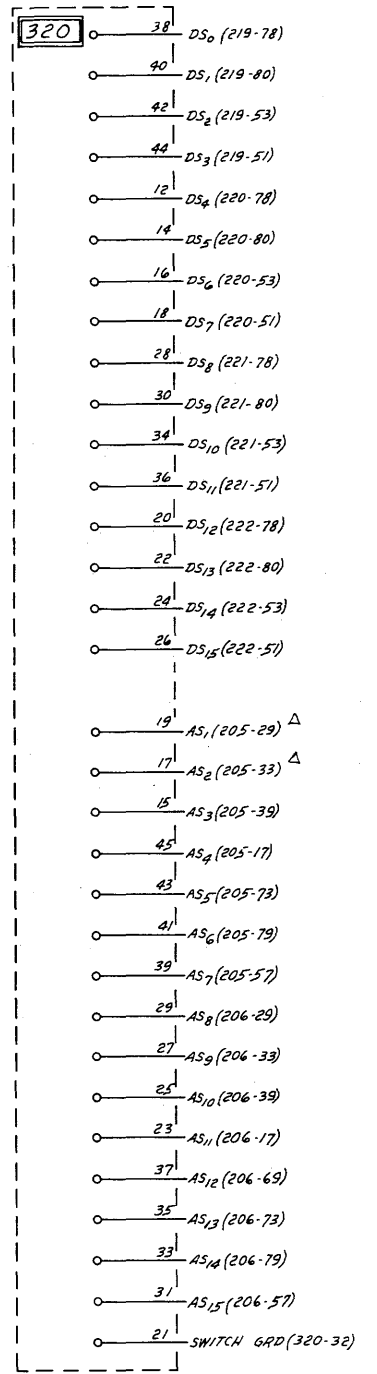
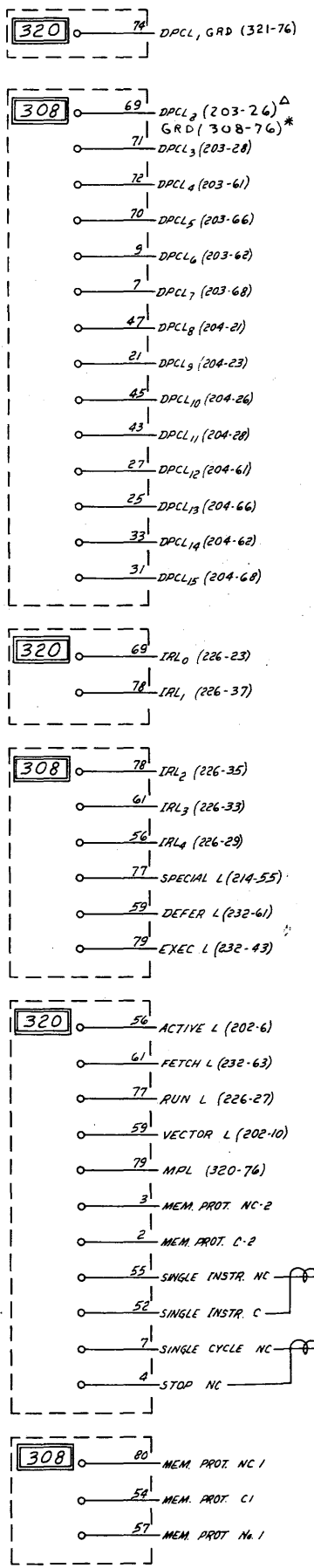
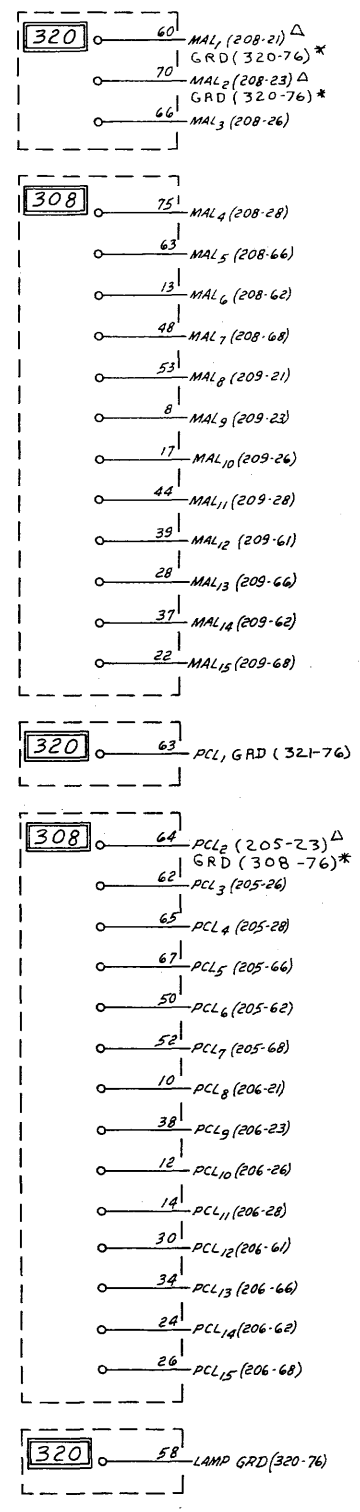
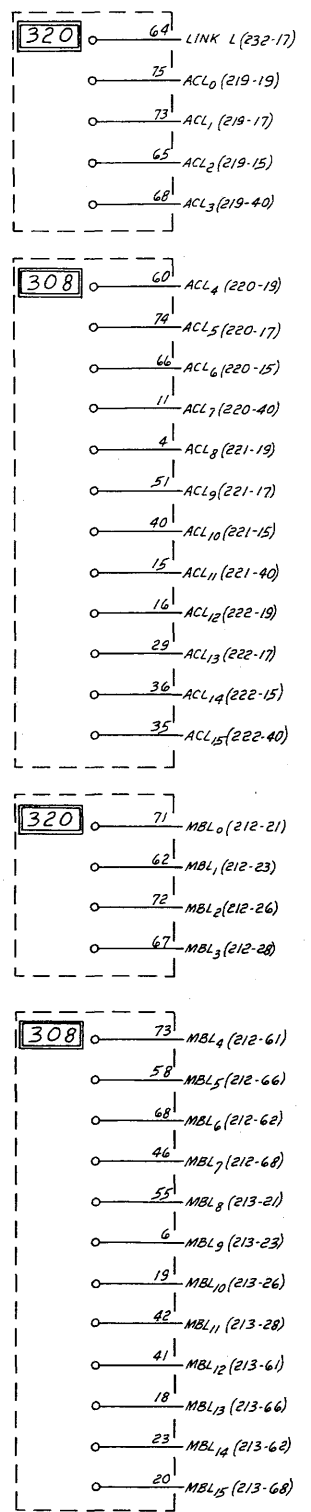
© by IMLAC CORP. 1970, 1971, 1972

© 1971

BY	DATE	TITLE
LAYOUT	H.C.M. 18 Feb 71	D TO A CONVERTER Y AXIS
DRAWN	H.C.M. 22 Feb 71	
CHECKED	C.B.A. 22 Feb 71	
APPROVED		
ISSUE		
COPIED		
MATERIAL		

IMLAC CORPORATION		288 NEWTON STREET WALTHAM, MASSACHUSETTS 02154
PREFIX	SIZE	DRAWING NUMBER
		852
Scale		Sheet

REV	ECN	DATE	DFTM	APPR

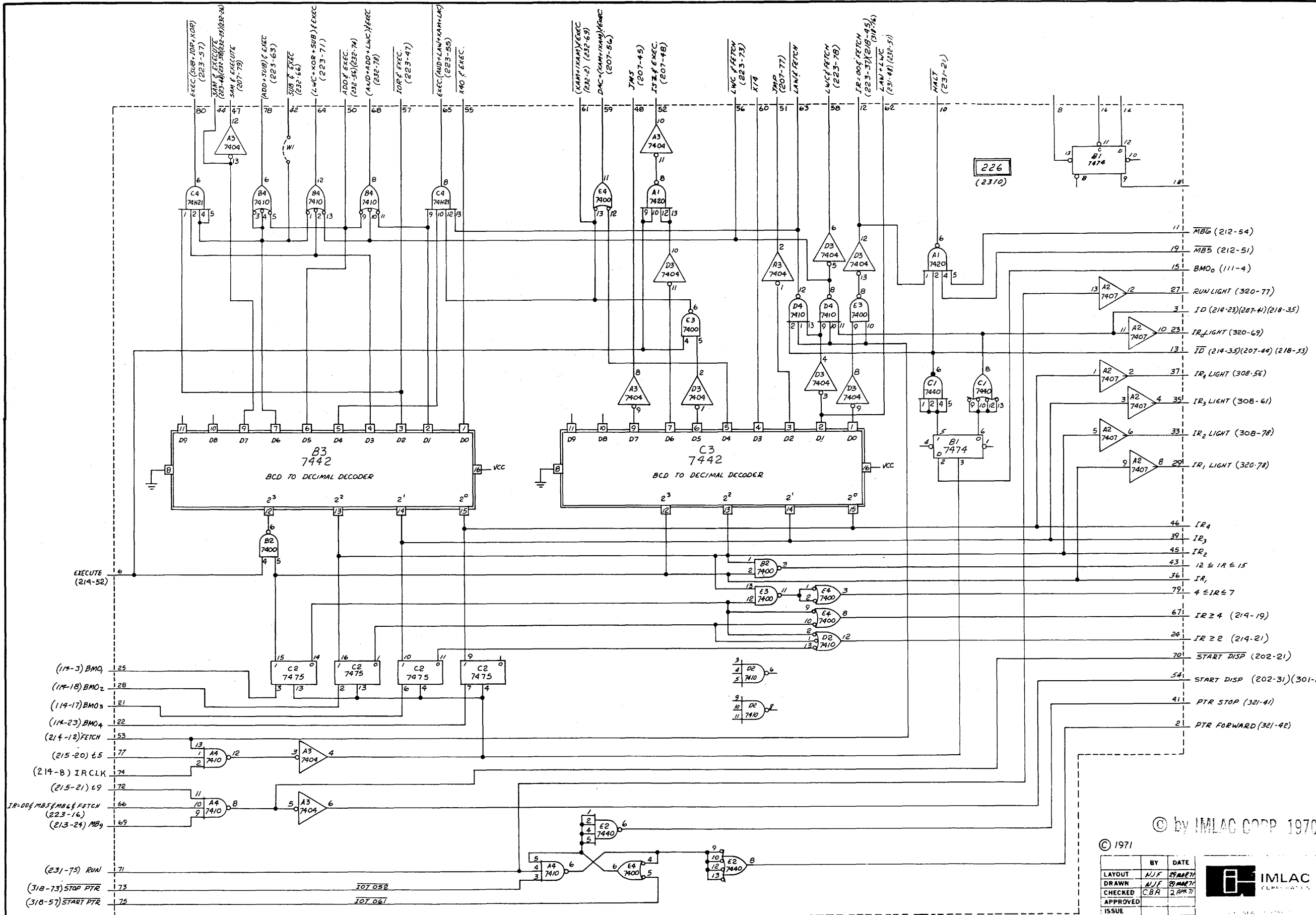


NOTE: Δ FOR 16K ONLY
* FOR 8K ONLY

© by IMLAC CORP. 1970, 1971, 1972

LAYOUT		BY	DATE		TITLE CABLE CARD CONNECTION 308 & 320
DRAWN		H.C.M.	3/10/71		
CHECKED		C.B.A.	4-2-71		
APPROVED					
ISSUE					
COPIED					
PROJECT		PROD		PP.FIX	SIZE
Scale		L D		DRAWING NUMBER	REV.
				855-A	
				Sheet	

REV.	ECN.	DATE	DFTM	APPV.
A	-	8-25-71	J. V.	R.T.M.
B	-	28 SEP 71	G.B.	W.P.
C	-	6 Apr 72	H.C.M.	



- EXECUTE (214-52) 6
- (114-3) BMO₀ 125
- (114-18) BMO₂ 128
- (114-17) BMO₃ 121
- (114-23) BMO₄ 122
- (214-12) FETCH 153
- (215-20) t₅ 177
- (214-8) IRCLK 174
- (215-21) t₉ 172
- IR-00t MB5 & MB6 & FETCH (223-16) 166
- (213-24) MB₉ 169
- (231-75) RUN 171
- (318-73) STOP PTR 173
- (318-57) START PTR 175

© by IMLAC CORP 1970, 1971, 1972

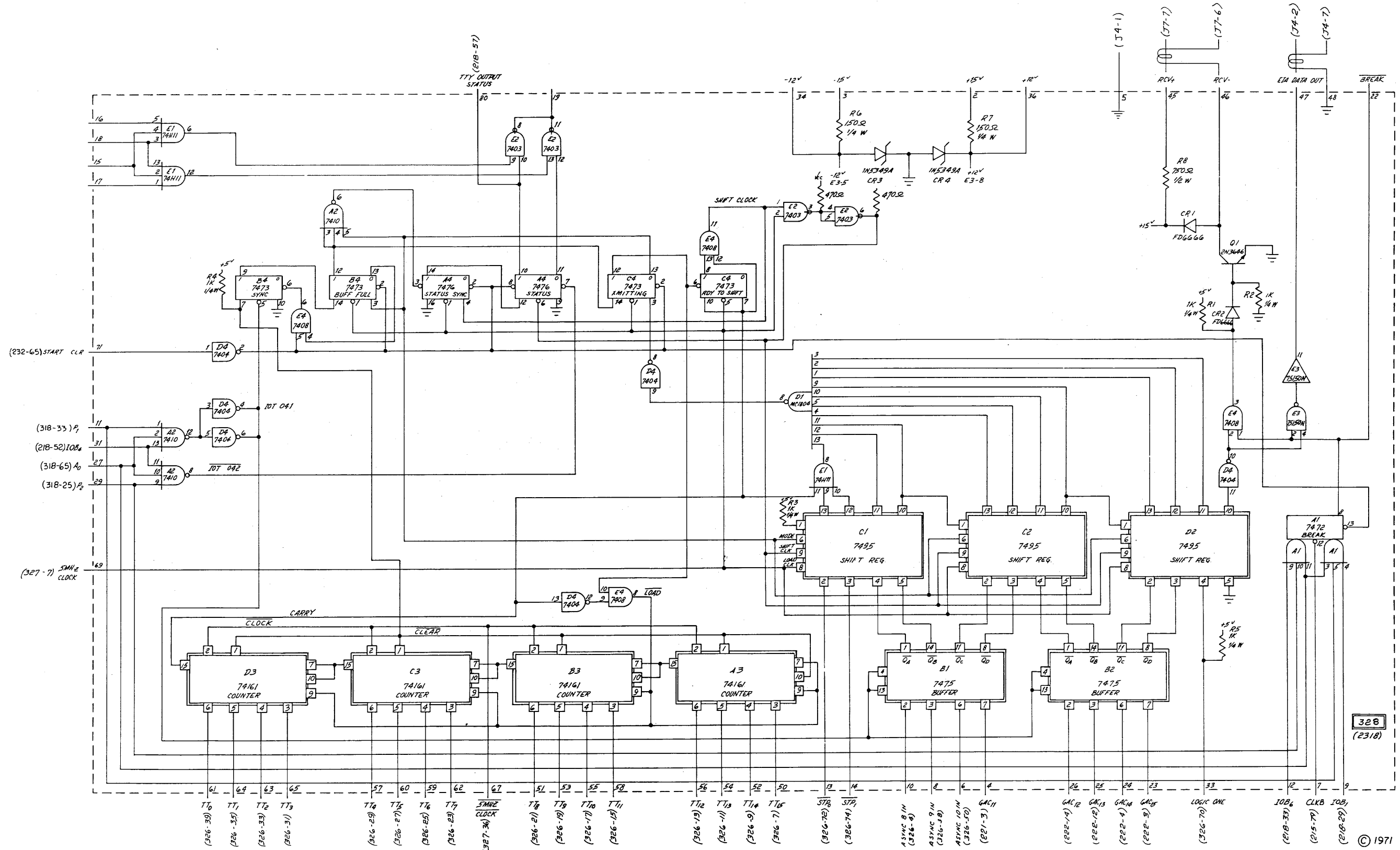
© 1971

LAYOUT	BY	DATE
	NJF	20 MAR 71
DRAWN	NJF	20 MAR 71
CHECKED	C.B.A.	2 APR 71
APPROVED		
ISSUE		
COPIED		



TITLE
INSTR. REG. &
DECODER

MATERIAL	PROJECT	PREFIX	SIZE	DRAWING NUMBER	REV.
	PROD	L	D	856-A	C



328
(2318)

© by IMLAC CORP. 1970, 1971, 1972

H	---	1 OCT 71	GB	94PB	BY	DATE
G	---	29 SEP 71	GB	94PB	LAYOUT	H.C.M. 14 APR 71
F	---	7 SEP 71	J.V.		DRAWN	H.C.M. 26 APR 71
E	---	3 SEP 71	H.C.M.		CHECKED	D.F. 29 APR 71
D	---	7 JUN 71	H.C.M.		APPROVED	
C	---				ISSUE	
B	---				COPIED	
A	---				MATERIAL	
REV	ECU	DATE	DFTM	APPVD.		

IMLAC
CORPORATION

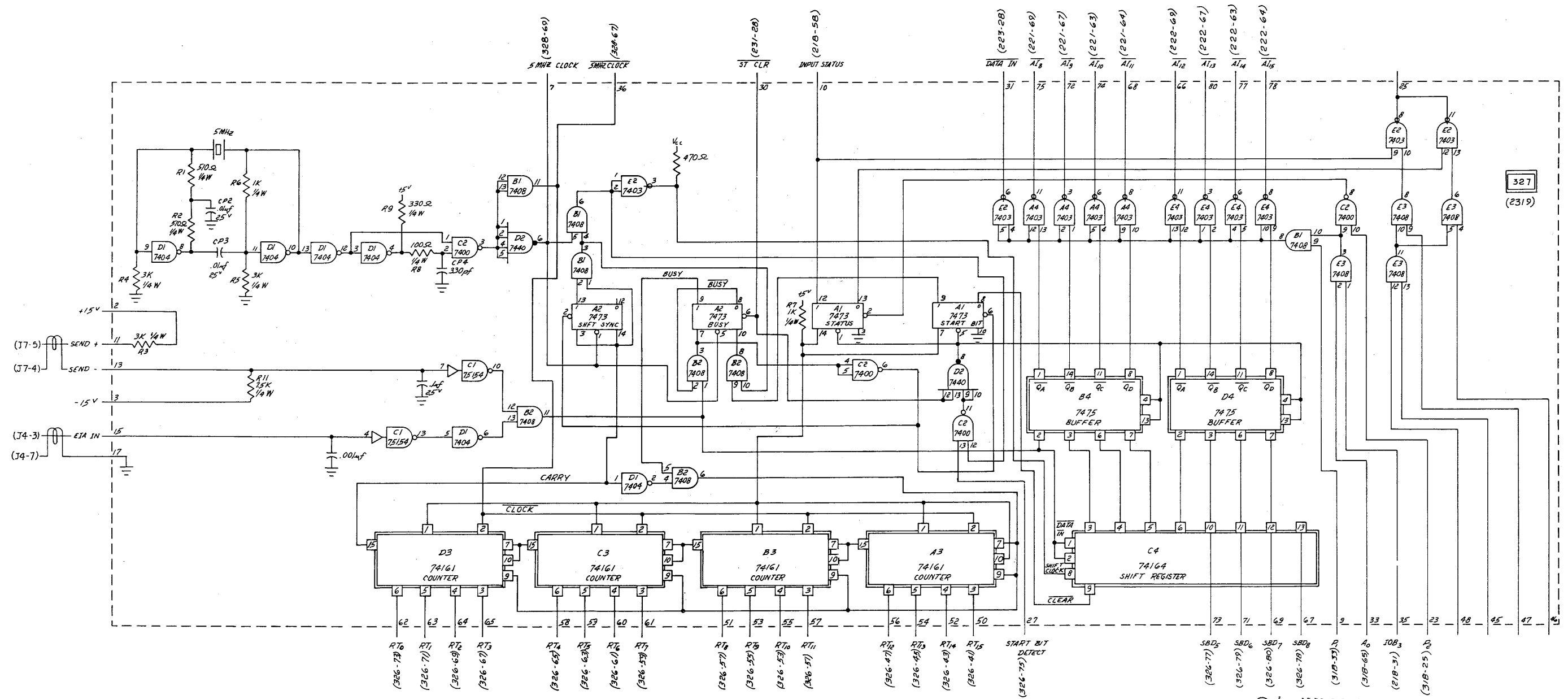
11000 WILSON AVENUE
MILWAUKEE, WISCONSIN 53222

PROJECT: **PROD**

TITLE		
ASYNCHRONOUS SERIAL TRANSMITTER		
PREFIX	SIZE	DRAWING NUMBER
L	D	869
REV.		H
Scale		Sheet

© 1971

REV	ECN	DATE	DTN	APRV
D	-	7 Jun 71	H.C.M.	D.A.F.
E	499	16 Jun 71	H.C.M.	J.C.
F	-	30 Jun 71	H.C.M.	
G	-	10-27-71	J.V.	BYE
H	-	28 Oct 71	H.C.M.	
I	-	11/1/71	H.C.M.	
J	-	13 Mar 72	H.C.M.	



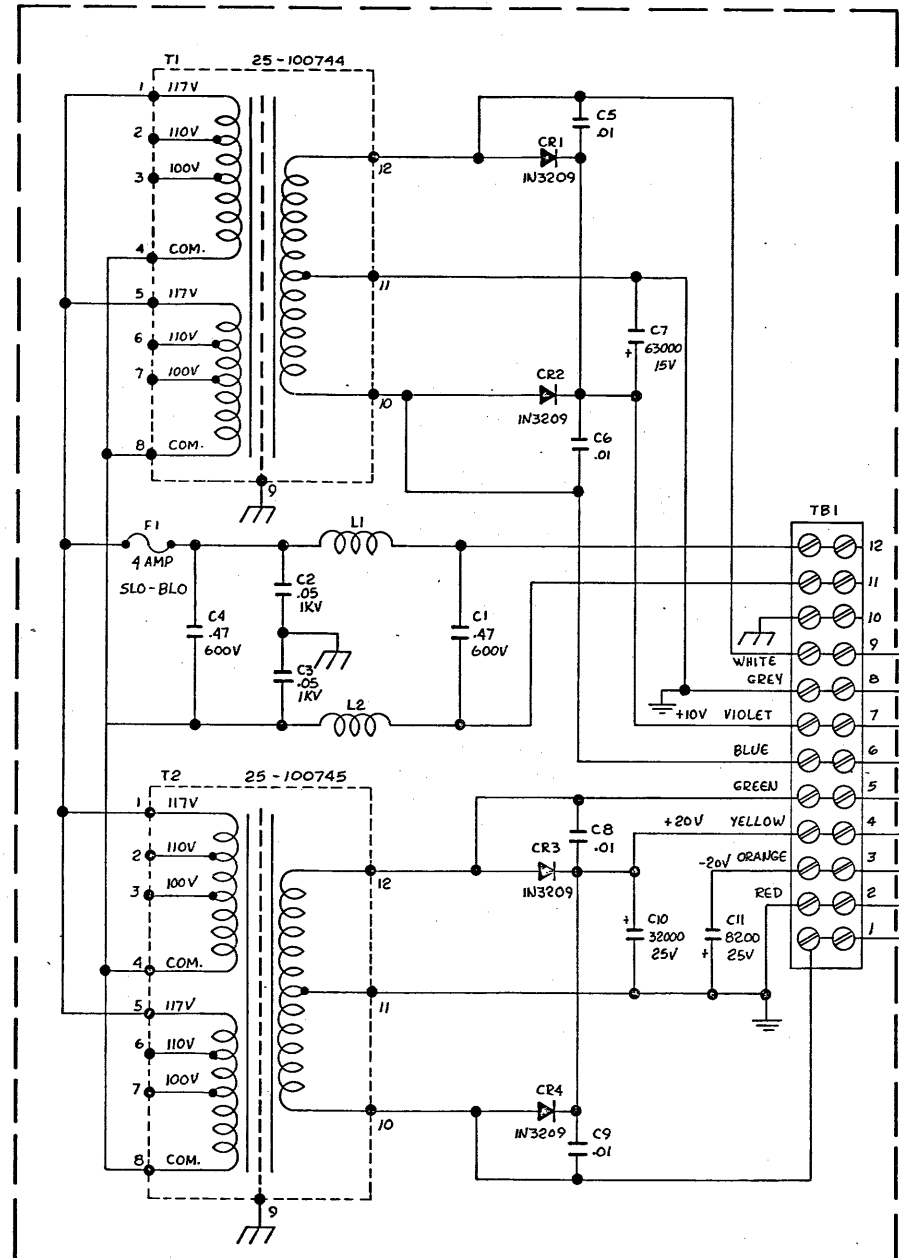
© by IMLAC CORP. 1970, 1971, 1972

© 1971

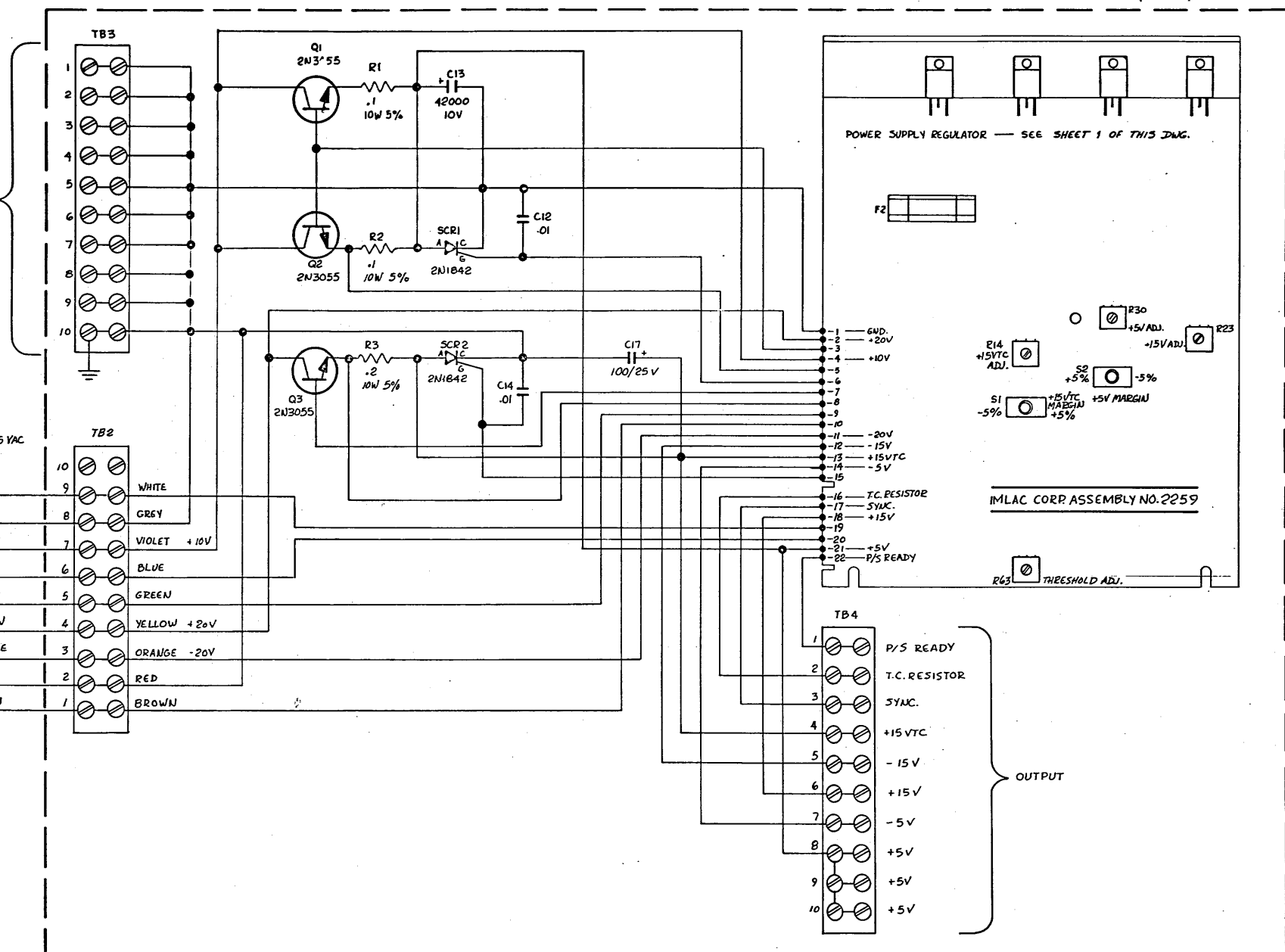
LAYOUT	BY	DATE	TITLE
DRAWN	H.C.M.	3 May 71	ASYNCHRONOUS SERIAL RECEIVE
CHECKED	H.C.M.	5 May 71	
APPROVED	J.S.	30 May 71	
ISSUE			
COPIED			
MATERIAL			

PROJECT	PROD	PREFIX	SIZE	DRAWING NUMBER	REV.
				870	J
		Scale		Sheet	

REV	ECN	DATE	DTMU	APPR



IMLAC CORP. ASSEMBLY NO. 2258



IMLAC CORP ASSEMBLY NO. 2257

RESISTANCE IN OHMS
CAPACITANCE IN MFDS

SYMBOLS USED
 F1 - F1 TB1 - TB4 CR1 - CR4
 T1 - T2 Q1 - Q3 C1 - C14, C17
 L1 - L2 SCR1 - SCR2 R1 - R3

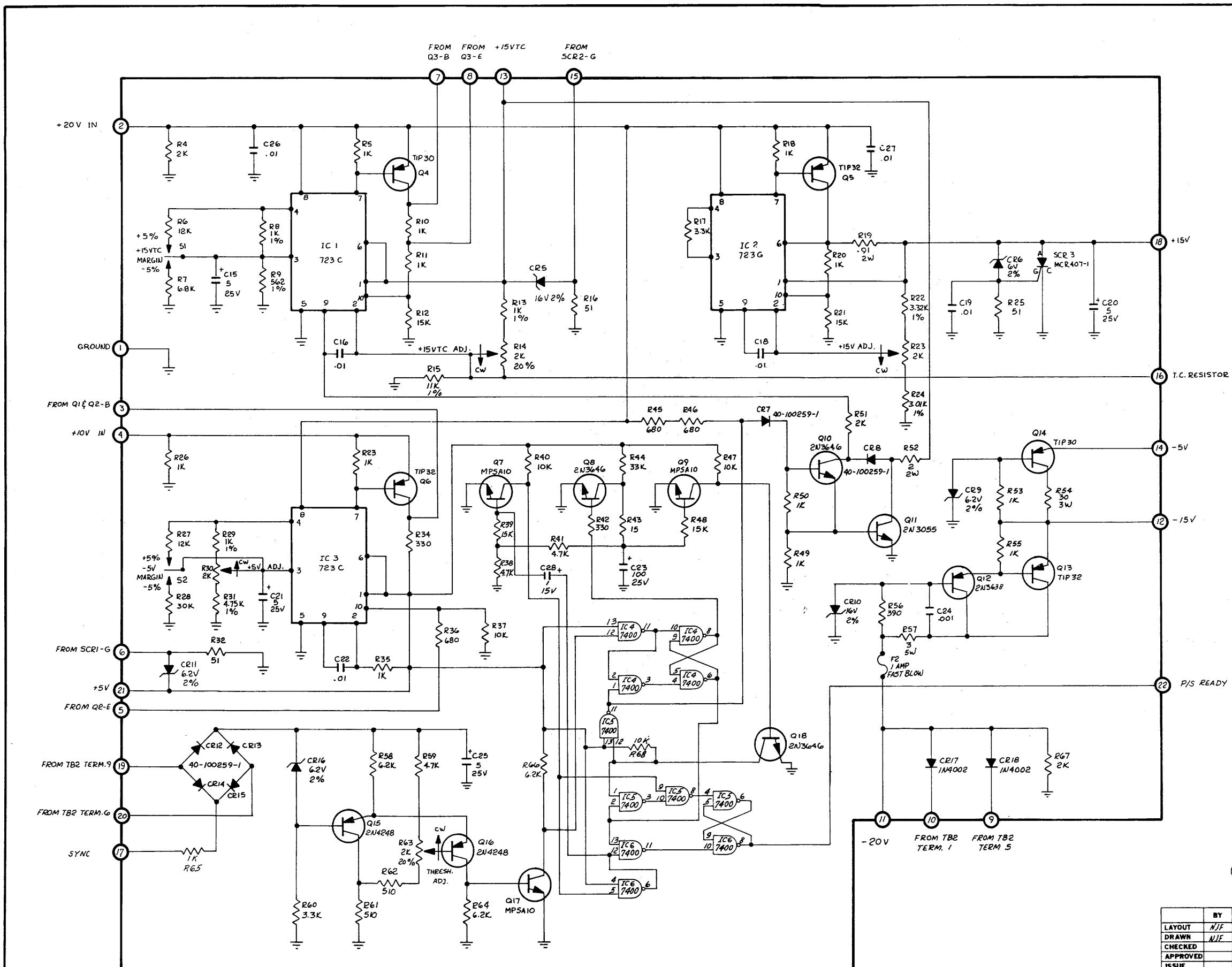
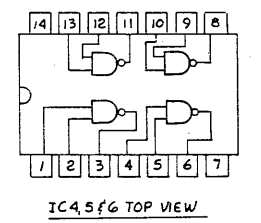
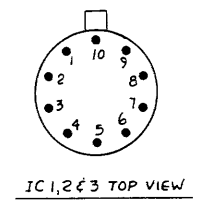
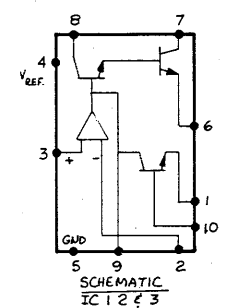
© by IMLAC CORP. 1970, 1971, 1972

BY		DATE	IMLAC CORPORATION	TITLE	
LAYOUT	NJF	23 SEP 71		 288 NEWTON STREET WALTHAM, MASSACHUSETTS 02184	POWER SUPPLY LOGIC
DRAWN	NJF	25 SEP 71	PREFIX		SIZE
CHECKED			L		D
APPROVED			DRAWING NUMBER		REV.
ISSUE			871		
COPIED			Scale		Sheet 2 of 2
MATERIAL	PROJECT				

REV.	ECN.	DATE	DFTRM	APPVD.
A	-	15 Oct 71	H.C.M.	
B	-	15 Dec 71	H.C.M.	
C	-	16 Mar 72	H.C.M.	

UNLESS OTHERWISE SPECIFIED:
 RESISTANCE IN OHMS
 CAPACITANCE IN MFDS.
 RESISTORS 1/2W ±5%

SYMBOLS USED
 IC1 - IC6 SCR3 -
 Q4 - Q18 CR5 - CR18
 S1 - S2 C15, C16, C18 - C28
 F2 R4 - R28

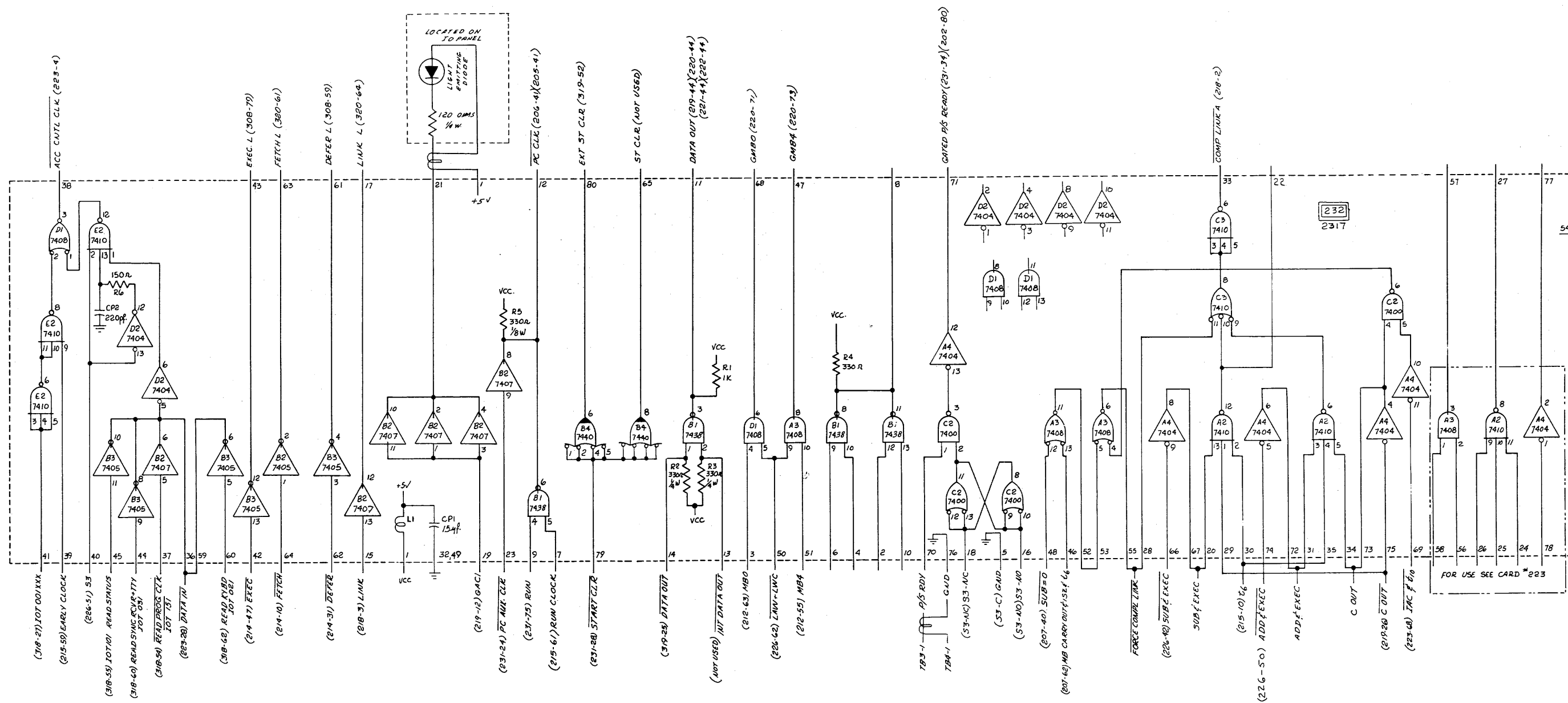


© by IMLAC CORP. 1970, 1971, 1972

BY		DATE	TITLE
LAYOUT	N/J	22 SEP 71	
DRAWN	N/J	22 SEP 71	
CHECKED			
APPROVED			
ISSUE			
COPIED			
MATERIAL			PREFIX
PROJECT			SIZE
			DRAWING NUMBER
			REV.
			Scale
			Sheet 1 of 2



REV.	ECN.	DATE	DFTML	APPVD.
A	-	7 Jun 71	H.C.M.	
B	-	8-2-71	J.V.	
C	-	8 Feb 72	H.C.M.	[]
D	-	5 Apr 72	H.C.M.	

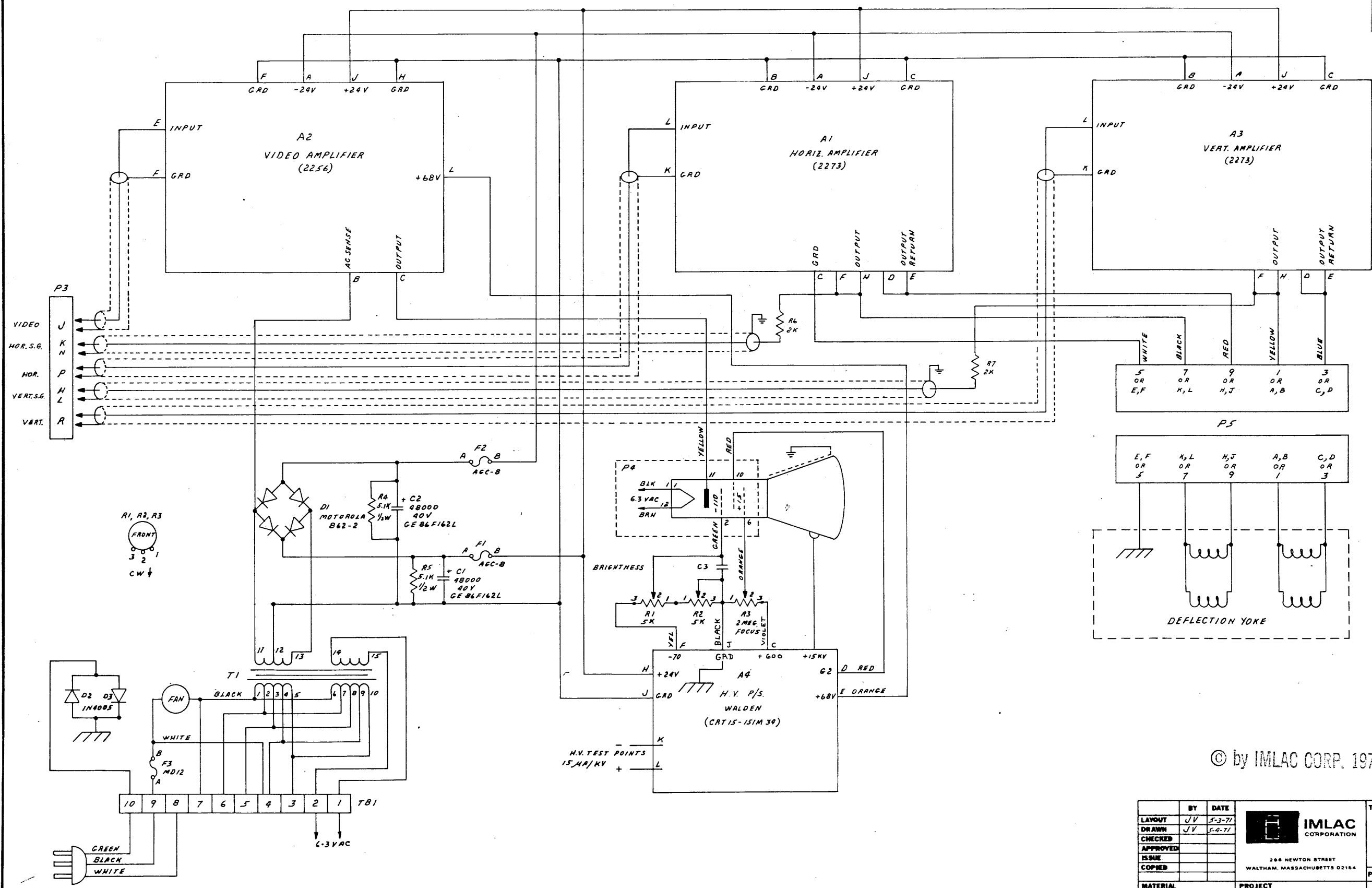


© by IMLAC CORP. 1970, 1971, 1972

© 1971

LAYOUT	BY	DATE	TITLE
DRAWN	WJF	10/11/71	MISC. CONTROL
CHECKED	AJF	10/11/71	
APPROVED	GB	3/5/72	
ISSUE			
COPIES			
MATERIAL	PROJECT	PROD	
PREFIX	SIZE	DRAWING NUMBER	REV.
L	D	872	D
Scale			Sheet

REV	ECN	DATE	DTM	APP'D
A	-	6-3-71	J.V.	J.V.
B	443	30 JUN 71	GB	J.V.
C	-	8 MAY 72	R.T.M.	J.V.



© by IMLAC CORP. 1970, 1971, 1972

BY	DATE	TITLE
LAYOUT	JV 5-3-71	MONITOR
DRAWN	JV 5-9-71	
CHECKED		
APPROVED		
ISSUE		
COPED		
MATERIAL	PROJECT	


		288 NEWTON STREET WALTHAM, MASSACHUSETTS 02154	
PREFIX	SIZE	DRAWING NUMBER	REV.
L	D	881	C
Scale		Sheet	

COMMON TO ALL CYCLES			DISPLAY BREAK	00 D OPR	01 D LXA N	02 D LYA N	03 D EIM
1	LOAD MA	(820)	C(DPC) → C(MA) (838)				
2	READ	(849)	C(DPC)+1 → C(DPC) (838)				
3							
4							
5	C(BMO) → C(MB) LEAD MB	(842)	C(BMO) → C(DMB) C(BMO ₀₋₃) → C(DIB)	(838)			
6			IF \overline{INC} SL-8 HERE EQUIVALENT TO C(DMB) → C(IC) (838)				
7	INHIBIT	WRITE (849)					
8							
9					C(IC) → C(XAC) (838)	C(IC) → C(YAC) (838)	
10			IF \overline{INC} ≠ (IN DISPLAY) SET DISPLAY BREAK (798)				SET INC SET STATE 0 SL-8 (798)

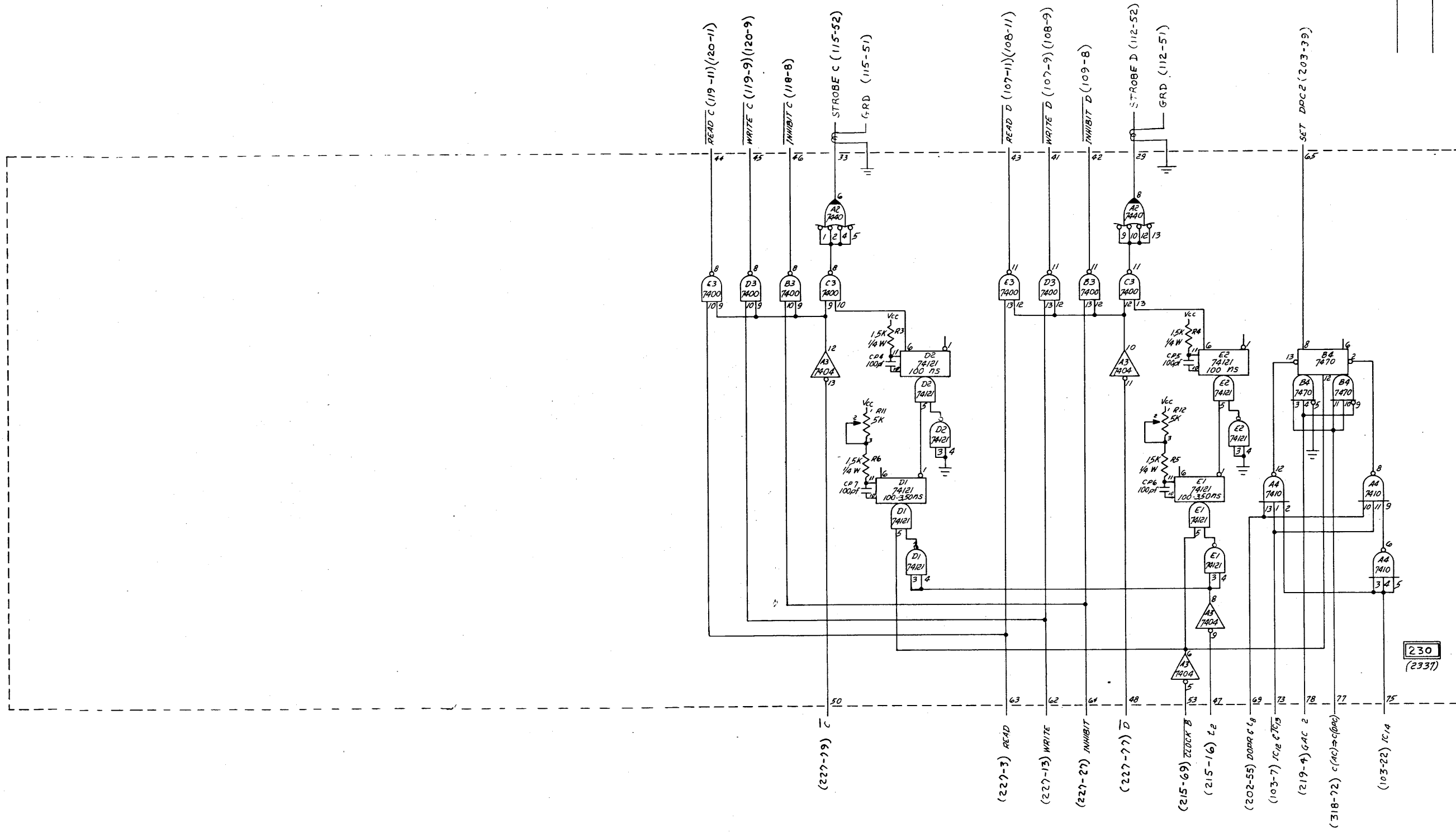
04	05 D JMS Q 0	06 D JMP Q	07	INC ≠ IC ₀	INC ≠ IC ₀
1					
2				IF IC ₅ +1 TO XAC (838) IF IC ₆ +1 TO YAC	IF IC ₄ 0 → C(XAC) _{LSB} (838) IF IC ₇ 0 → C(YAC) _{LSB} (838) IF IC ₅ +1 TO XAC _{MSB} (838) IF IC ₆ +1 TO YAC _{MSB} (838)
3				IF IC ₅ = 0 BEAM ON (798) ALL ELSE = BEAM OFF	
4					
5				IF IC ₄ +1 TO XAC (838) IF IC ₇ +1 TO YAC	
6		C(DPC) → C(DT) (838)			
7					
8				IF IC ₃ +1 TO XAC (838) IF IC ₆ +1 TO YAC	
9					
10		C(IC ₄₋₁₅) → C(DPC) (838)	C(IC ₄₋₁₅) → C(DPC) (838)	IF STATE 0 GO TO STATE 1 (798) IF STATE 1 GO TO STATE 0 & SET DISP BRK SL-8 (838)	IF IC ₁ SET DISP BRK & CLEAR INC. (798) IF IC ₂ C(DT) → C(DPC) (838) SL-8

NOTE: THE NUMBERS IN PARENTHESES BESIDE A SIGNAL, e.g. (842), INDICATES LOGIC DNG ON WHICH SIGNAL ORIGINATES.

© by IMLAC CORP. 1970, 1971, 1972

LAYOUT	BY	DATE	 IMLAC CORPORATION 288 NEWTON STREET WALTHAM, MASSACHUSETTS 02154	TITLE
DRAWN	ALJ	11/20/71		TIMING DIAGRAM
CHECKED	ALJ	11/20/71		DISPLAY CYCLES
APPROVED				PREFIX
ISSUE				SIZE
COPIED				DRAWING NUMBER
MATERIAL			PROJECT	REV.
			L D	890
			Scale	Sheet 4 of 4

REV	ECN	DATE	DFW	APRV
1		10-26-71	J.V.	R.T.M.

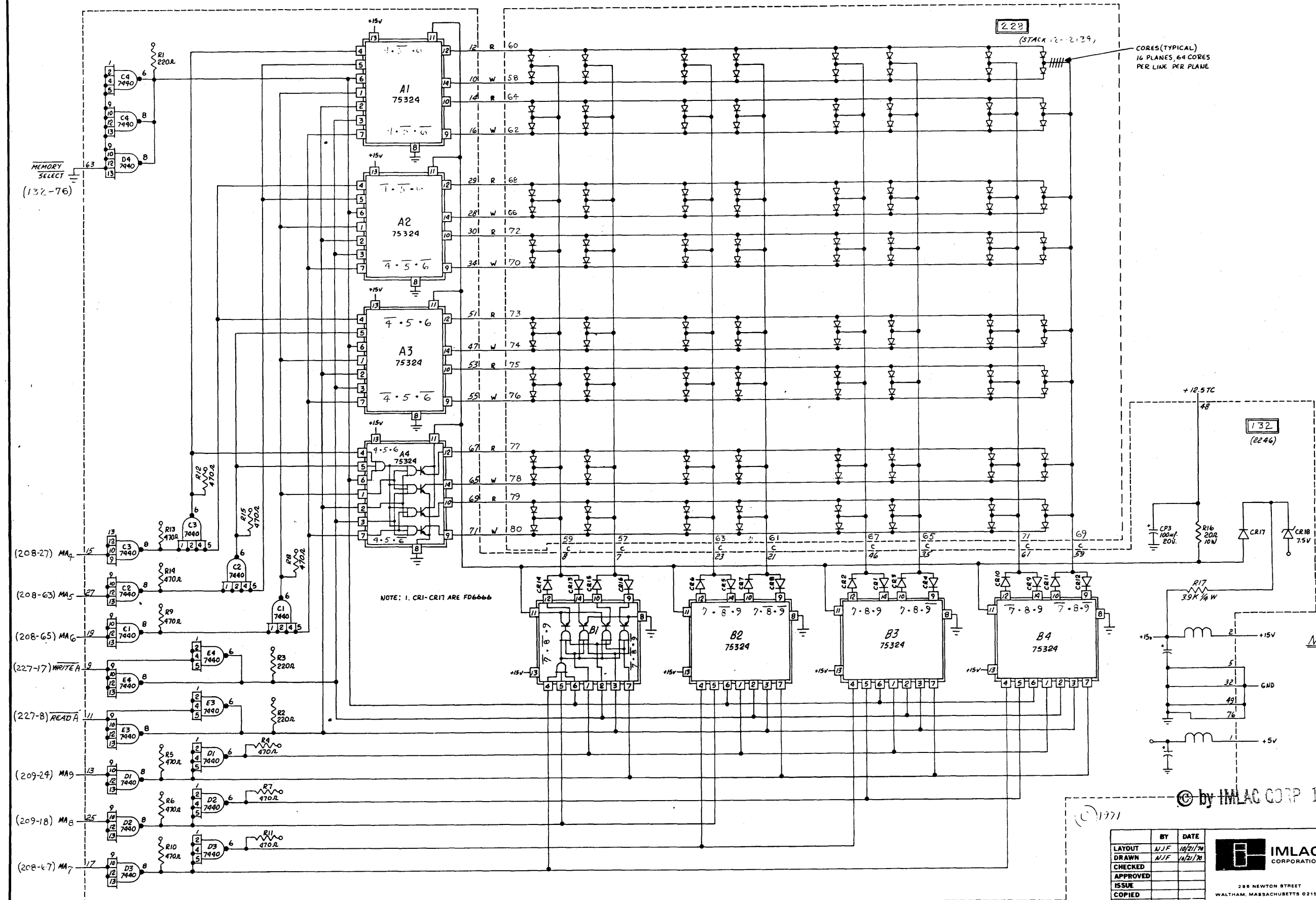


230
(2337)

© by IMLAC CORP 1970 1971 1972

BY	DATE	 IMLAC CORPORATION 288 NEWTON STREET WALTHAM, MASSACHUSETTS 02154	TITLE	
LAYOUT	H.C.M. 8/2/71		16 K MEMORY CONTROL	
DRAWN	H.C.M. 8/2/71		PREFIX	SIZE
CHECKED			L D	901-16K A
APPROVED			DRAWING NUMBER	REV.
COPIED		Scale	Sheet	
MATERIAL		PROJECT		

REV.	ECN	DATE	DFTM	APP'D.
1		10/21/70	JRF	NJE



CORES (TYPICAL)
16 PLANES, 64 CORES
PER LINE PER PLANE

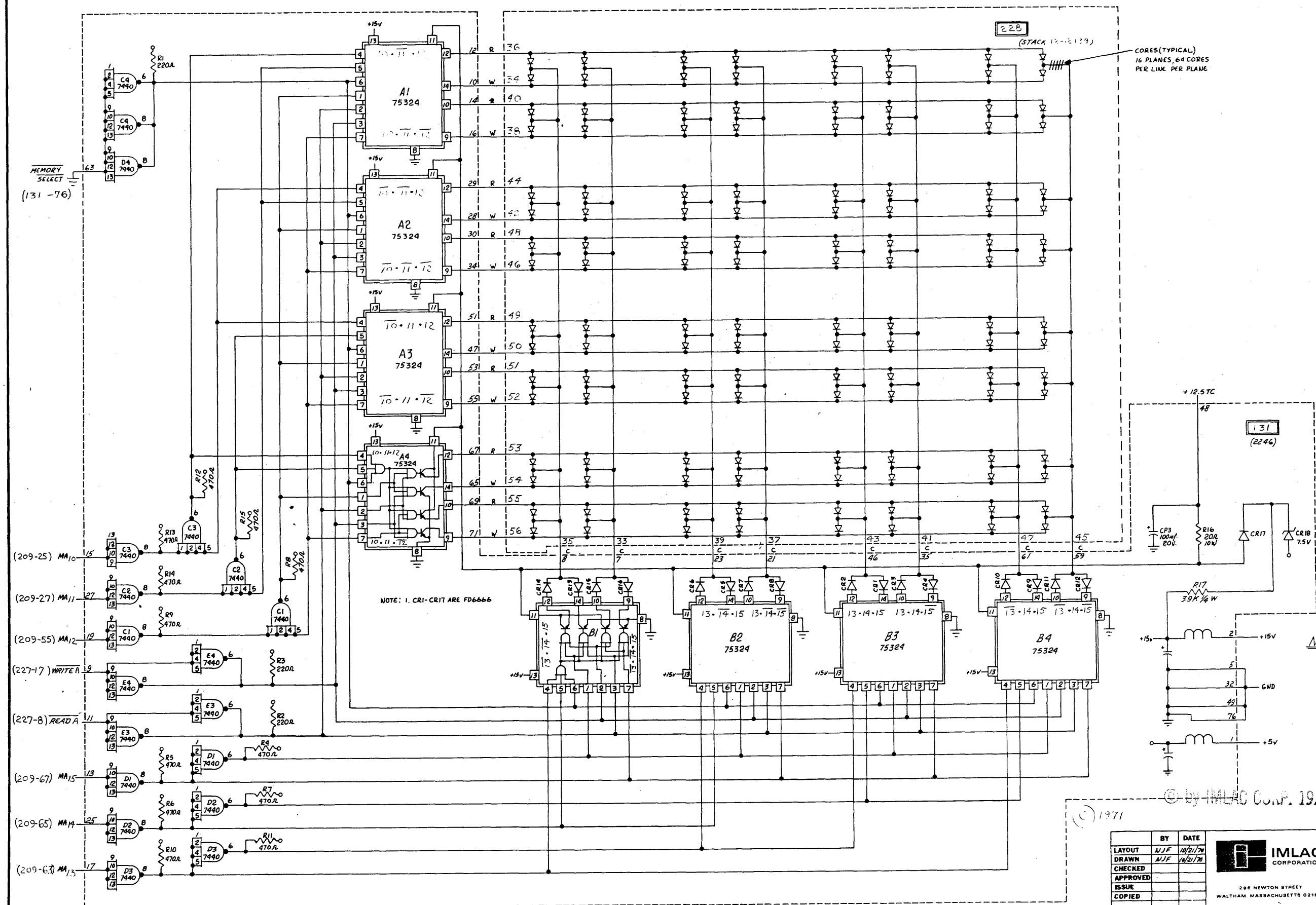
NOTE: 1. CR1-CR17 ARE FD6666

NOTES:
1. EXPRESSIONS IN BOXES A1-A4 & B1-B4 INDICATE THE STATES OF THE MEMORY ADDRESS REGISTER WHICH CAUSE THE CORRESPONDING READ AND WRITE FUNCTIONS TO BE ENABLED.

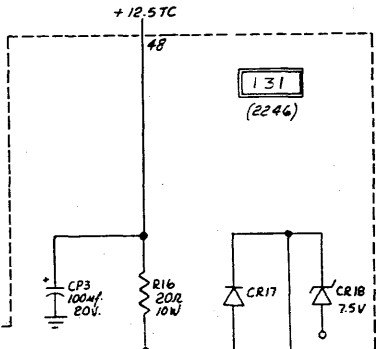
© by IMLAC CORP 1970, 1971, 1972

LAYOUT	BY	DATE	 288 NEWTON STREET WALTHAM, MASSACHUSETTS 02154	TITLE
DRAWN	NJF	10/21/70		SECTION 1A
CHECKED	NJF	11/21/70		X ADDRESS SELECTION
APPROVED				PREFIX
ISSUE				SIZE
COPIED			DRAWING NUMBER	REV.
MATERIAL			L D	302 A
			PROJECT	Sheet
			1645	

REV.	ECN	DATE	DTM	APP'D.



22B
(STACK 12-2124)



NOTES:
1. EXPRESSIONS IN BOXES A1-A4 & B1-B4 INDICATE THE STATES OF THE MEMORY ADDRESS REGISTER WHICH CAUSE THE CORRESPONDING READ AND WRITE FUNCTIONS TO BE ENABLED.

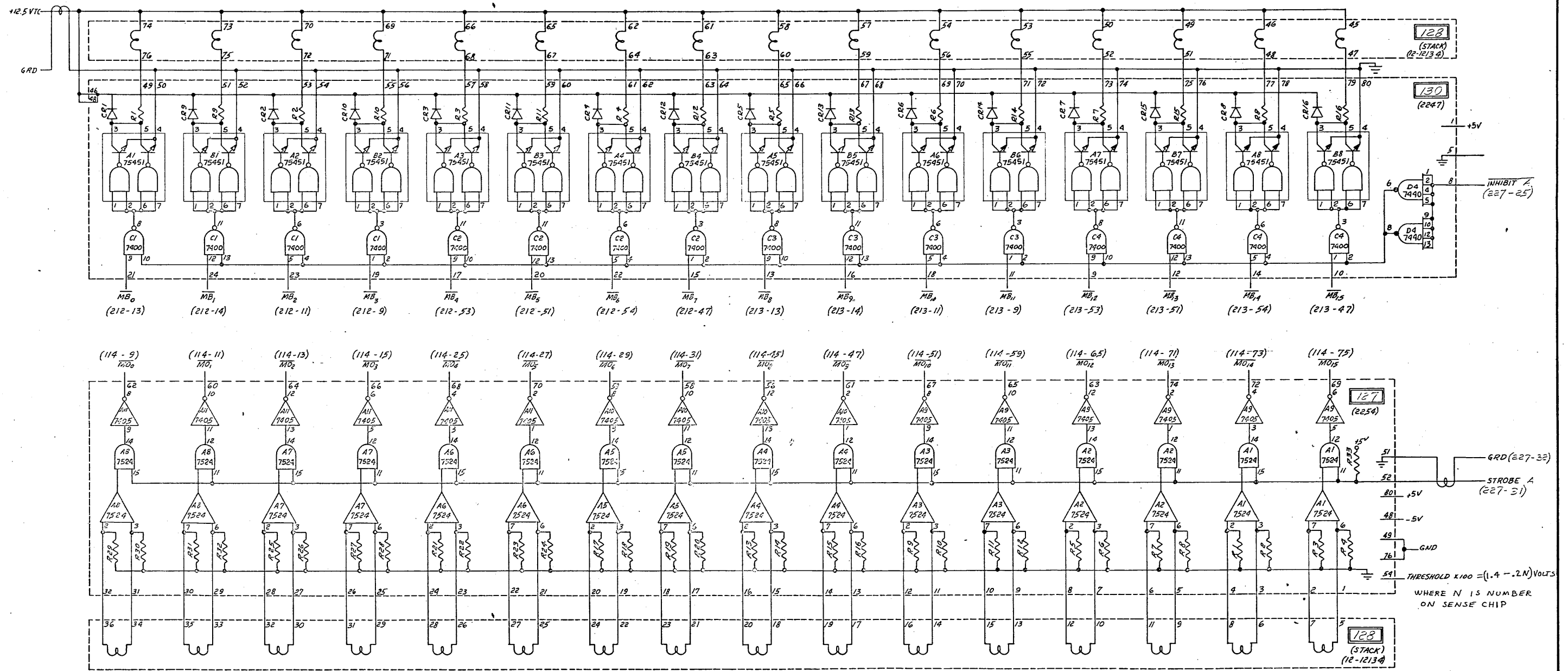
© by IMLAC CORP. 1970, 1971, 1972

LAYOUT	BY	DATE	TITLE
DRAWN	AJF	10/21/70	ACTION A Y ADDR 55 SECTION
CHECKED	AJF	11/21/70	
APPROVED			PREFIX SIZE DRAWING NUMBER REV.
ISSUE			
COPIED			Scale
MATERIAL	PROJECT	1645	Sheet



288 NEWTON STREET
WALTHAM, MASSACHUSETTS 02154

REV.	ECN	DATE	DFM	APPVD.
A	---	8-20-71	J.V.	
B	---	2-18-72	G.B.	



© by IMLAC CORP. 1970, 1971, 1972

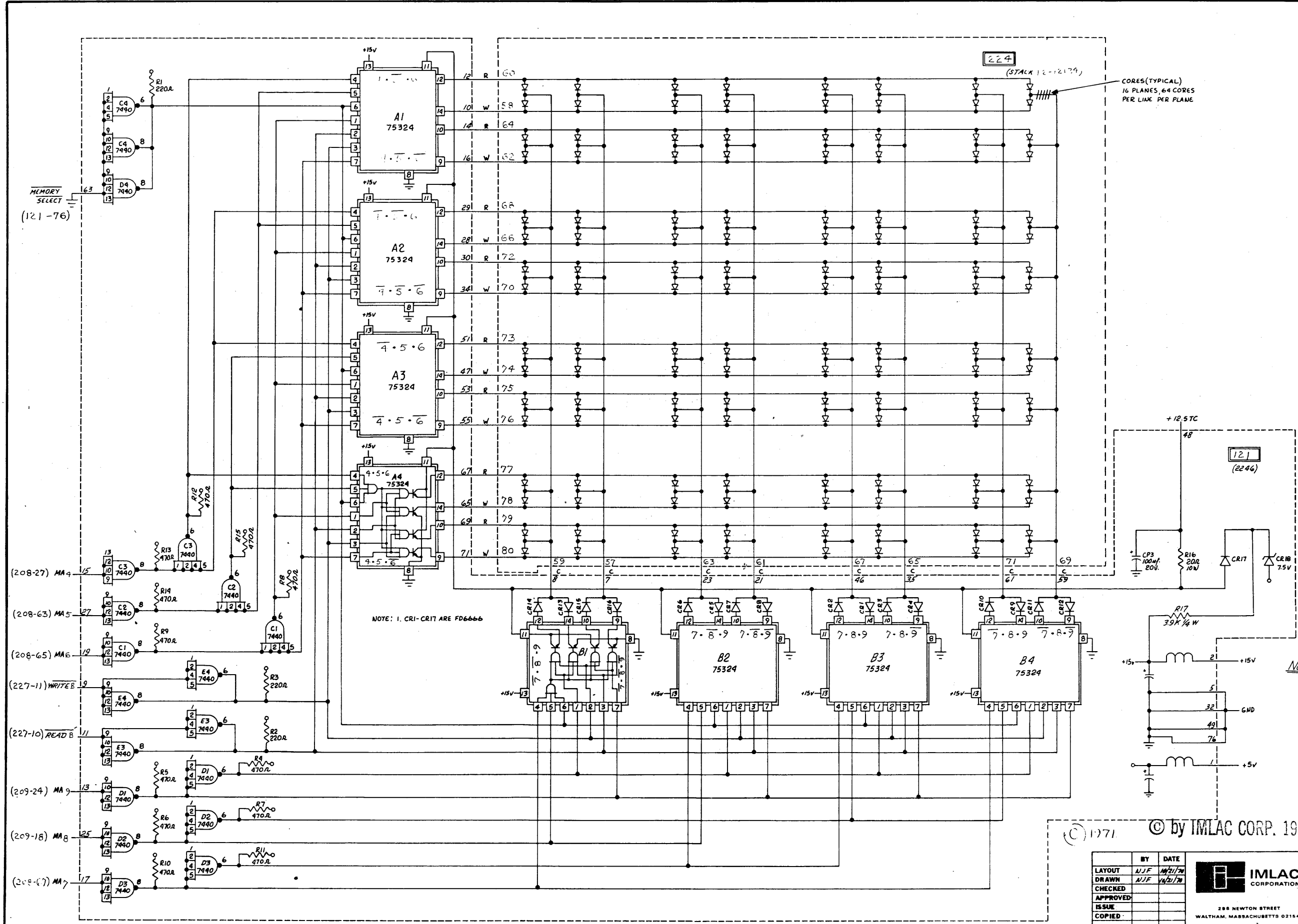
DWG. NO. WAS 904-16 K.

LAYOUT	BY	DATE
DRAWN	ALJ	8/24/70
CHECKED	ALJ	8/26/70
APPROVED		
ISSUE		
COPIED		

IMLAC CORPORATION
288 NEWTON STREET
WALTHAM, MASSACHUSETTS 02154

TITLE		SECTION A INHIBIT	
SENSE AMPLIFIERS		16 K CONFIGURATION	
PREFIX	SIZE	DRAWING NUMBER	REV.
L	D	904-1A	B
Scale			Sheet


REV.	ECN	DATE	DFTMM	APPVD.



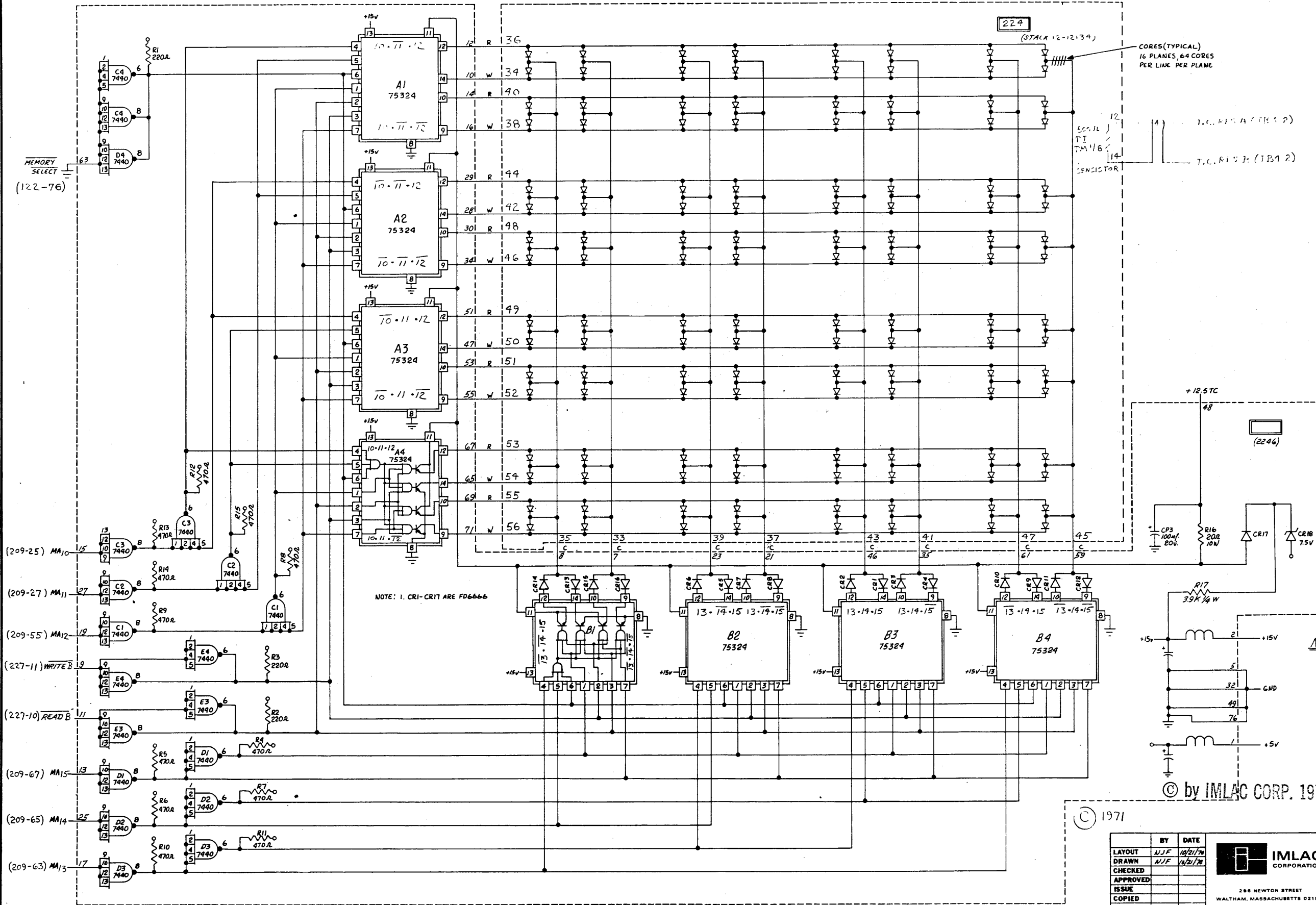
CORES (TYPICAL)
16 PLANES, 64 CORES
PER LINE PER PLANE

NOTES:
1. EXPRESSIONS IN BOXES A1-A4 & B1-B4
INDICATE THE STATES OF THE MEMORY
ADDRESS REGISTER WHICH CAUSE THE
CORRESPONDING READ AND WRITE
FUNCTIONS TO BE ENABLED.

© 1971 © by IMLAC CORP. 1970, 1971, 1972

LAYOUT	BY	DATE	 IMLAC CORPORATION 288 NEWTON STREET WALTHAM, MASSACHUSETTS 02154	TITLE	
DRAWN	NJF	4/21/70		SECTION B	
CHECKED	NJF	4/21/70		X ADDRESS SELECTION	
APPROVED				PREFIX	SIZE
ISSUE				L	D
COPIED			DRAWING NUMBER	REV.	
MATERIAL			305	A	
PROJECT	1645		Scale	Sheet	

REV.	ECN	DATE	DFTMM	APPVD.
1		10-17-71	CLB	ML-73



CORES (TYPICAL)
16 PLANES, 64 CORES
PER LINE PER PLANE

500.0L
T.M. 1/6
14
T.C. RES. (1812)
T.C. RES. (1812)

NOTE: 1. CR1-CR17 ARE FD6666

NOTES:
1. EXPRESSIONS IN BOXES A1-A4, B1-B4 INDICATE THE STATES OF THE MEMORY ADDRESS REGISTER WHICH CAUSE THE CORRESPONDING READ AND WRITE FUNCTIONS TO BE ENABLED.

© by IMLAC CORP. 1970, 1971, 1972

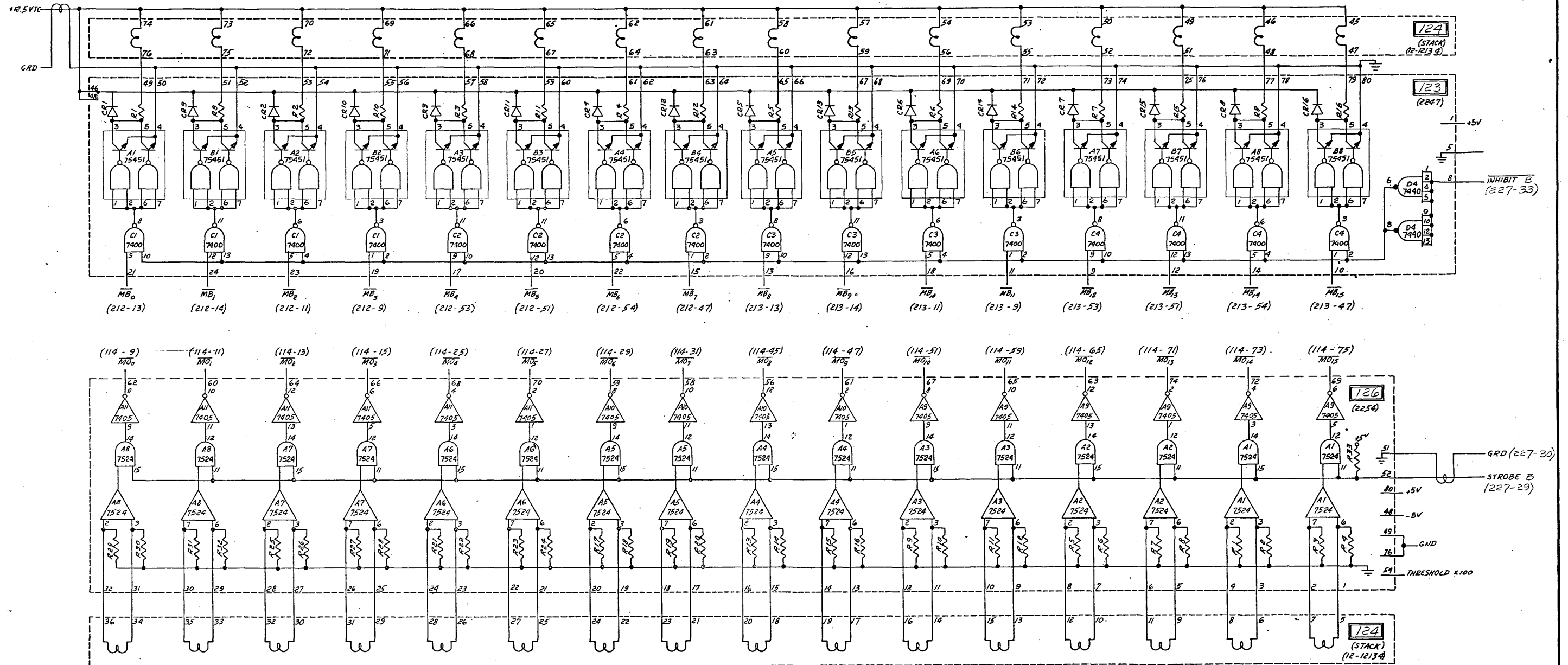
© 1971

LAYOUT	BY	DATE	TITLE
DRAWN	NJF	10/21/70	SECTION B
CHECKED	NJF	10/21/70	Y ADDRESS SECTION
APPROVED			
ISSUE			
COPIED			
MATERIAL			
PROJECT 1645			PREFIX L D
			SIZE 306 A
			DRAWING NUMBER C
			REV. Sheet



388 NEWTON STREET
WALTHAM, MASSACHUSETTS 02154

REV.	ECN	DATE	DFM	APPVD.
A	---	8-26-71	J.V.	J.P.D.

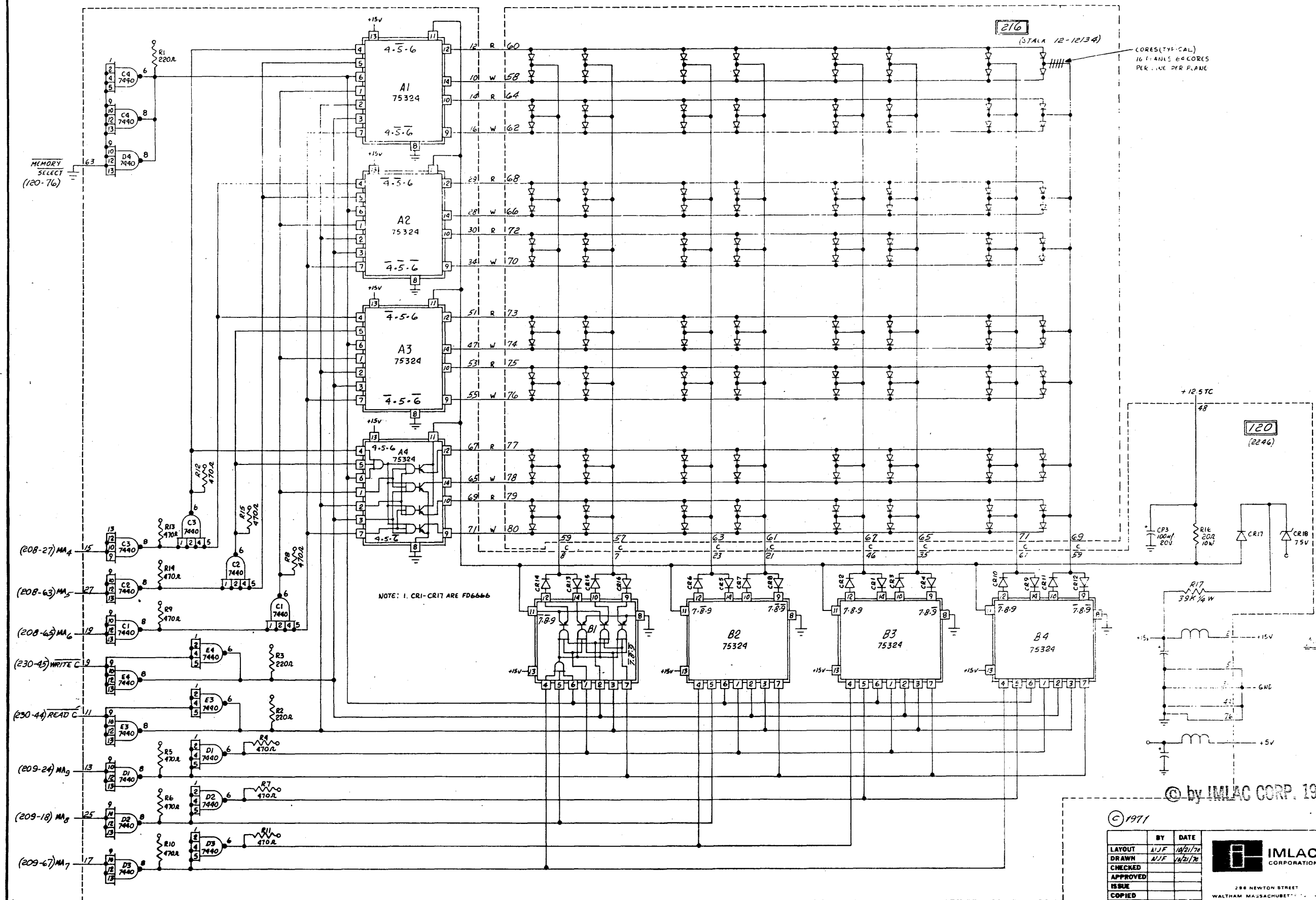


© by IMLAC CORP. 1970, 1971, 1972

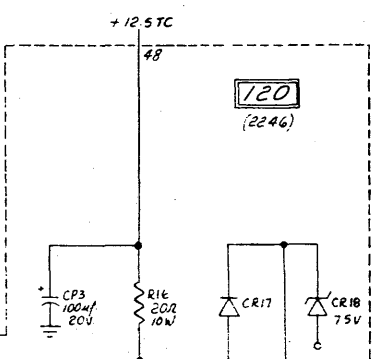
DWG. NO. WAS 907-16A

LAYOUT	BY	DATE	 IMLAC CORPORATION 388 NEWTON STREET WALTHAM, MASSACHUSETTS 02154	TITLE SECTION B INHIBIT			
DRAWN	ALF	8/26/70		SENSE AMPLIFIERS			
CHECKED	ALF	8/26/70		16 K CONFIGURATION			
APPROVED				PREFIX	SIZE	DRAWING NUMBER	REV.
ISSUE				L	D	907-A	A
COPIED			PROJECT		Scale	Sheet	
MATERIAL							

REV.	CCU	DATE	DFTMM	APPVD.
A	-	2/11/70	A.H.C.M.	H.P.D.



216
(STALA 12-1234)
CORES (TYPICAL)
16 PLANES 60 CORES
PER LINE PER PLANE

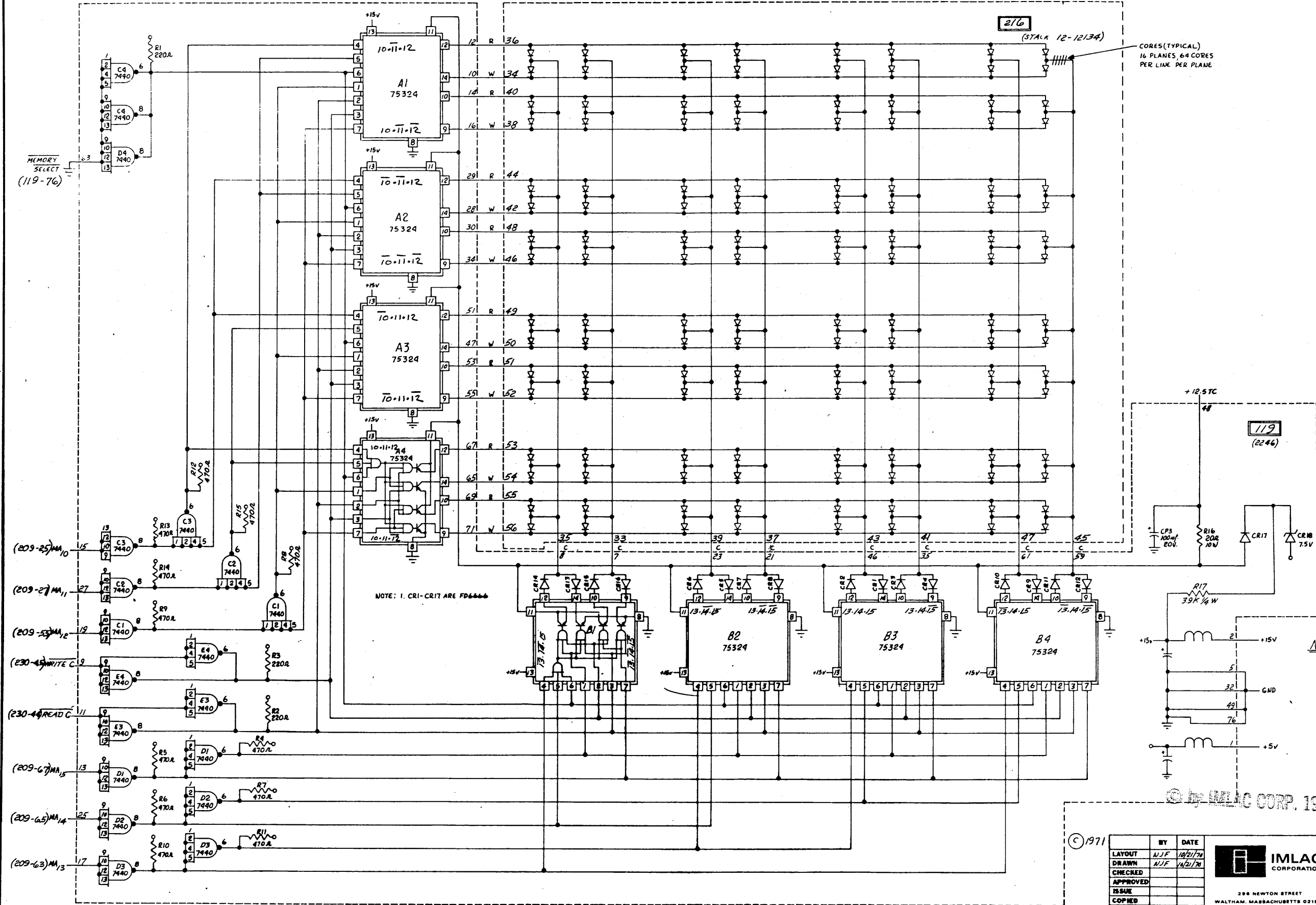


NOTES:
1. EXPRESSIONS IN BOXES A1-A4, B1-B4 INDICATE THE STATES OF THE MEMORY ADDRESS REGISTER WHICH CAUSE THE CORRESPONDING READ AND WRITE FUNCTIONS TO BE ENABLED

© by IMLAC CORP. 1970, 1971, 1972

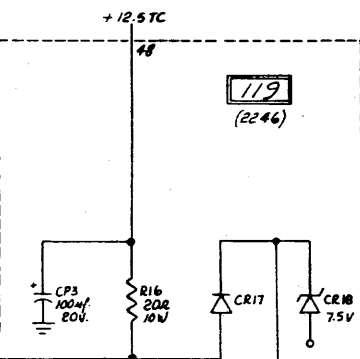
LAYOUT		BY	DATE	 288 NEWTON STREET WALTHAM MASSACHUSETTS	TITLE SECTION C X ADDRESS SECTION 16 K CONFIGURATION
DRAWN		AJF	10/21/70		
CHECKED		AJF	11/21/70		
APPROVED					
ISSUE					
COPIED					
MATERIAL		PROJECT		1645	PREFIX SIZE L D DRAWING NUMBER 908-16K SHEET A

REV.	ECN	DATE	DFTMU	APPVD
A	-	2/11/71	H.C.M.	R.P.B.



216
(STALK 12-12134)

CORES (TYPICAL)
16 PLANES, 64 CORES
PER LINE PER PLANE



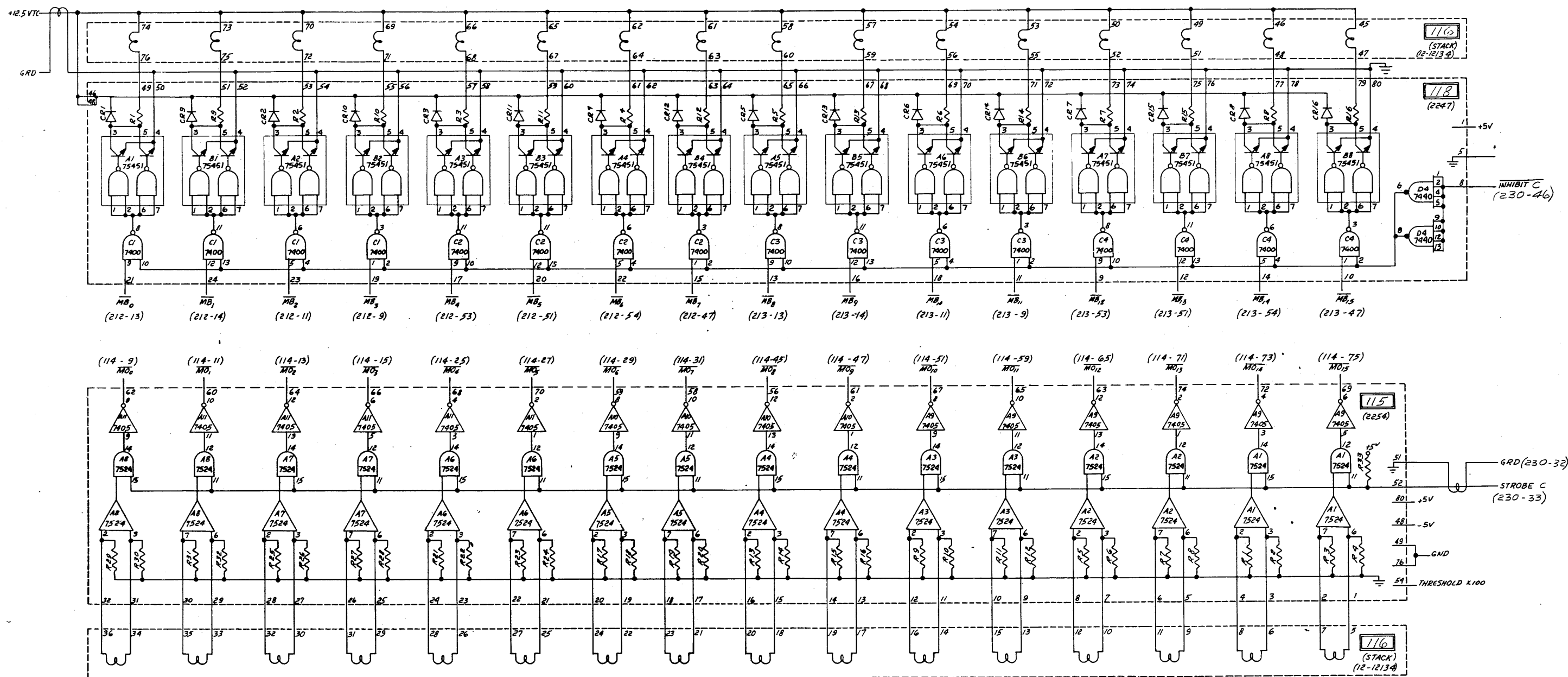
NOTES:
1. EXPRESSIONS IN BOXES A1-A4 & B1-B4
INDICATE THE STATES OF THE MEMORY
ADDRESS REGISTER WHICH CAUSE THE
CORRESPONDING READ AND WRITE
FUNCTIONS TO BE ENABLED.

© IMLAC CORP. 1970, 1971, 1972


© 1971

LAYOUT	BY	DATE	 IMLAC CORPORATION 288 NEWTON STREET WALTHAM, MASSACHUSETTS 02154	TITLE
DRAWN	N.J.F.	10/21/70		SECTION C
CHECKED	N.J.F.	11/21/70		Y ADDRESS SELECTION
APPROVED				16 K · CONFIGURATION
ISSUE				PREFIX SIZE DRAWING NUMBER REV.
COPIED				L D 909-16K A
MATERIAL			PROJECT	Scale Sheet
			1645	

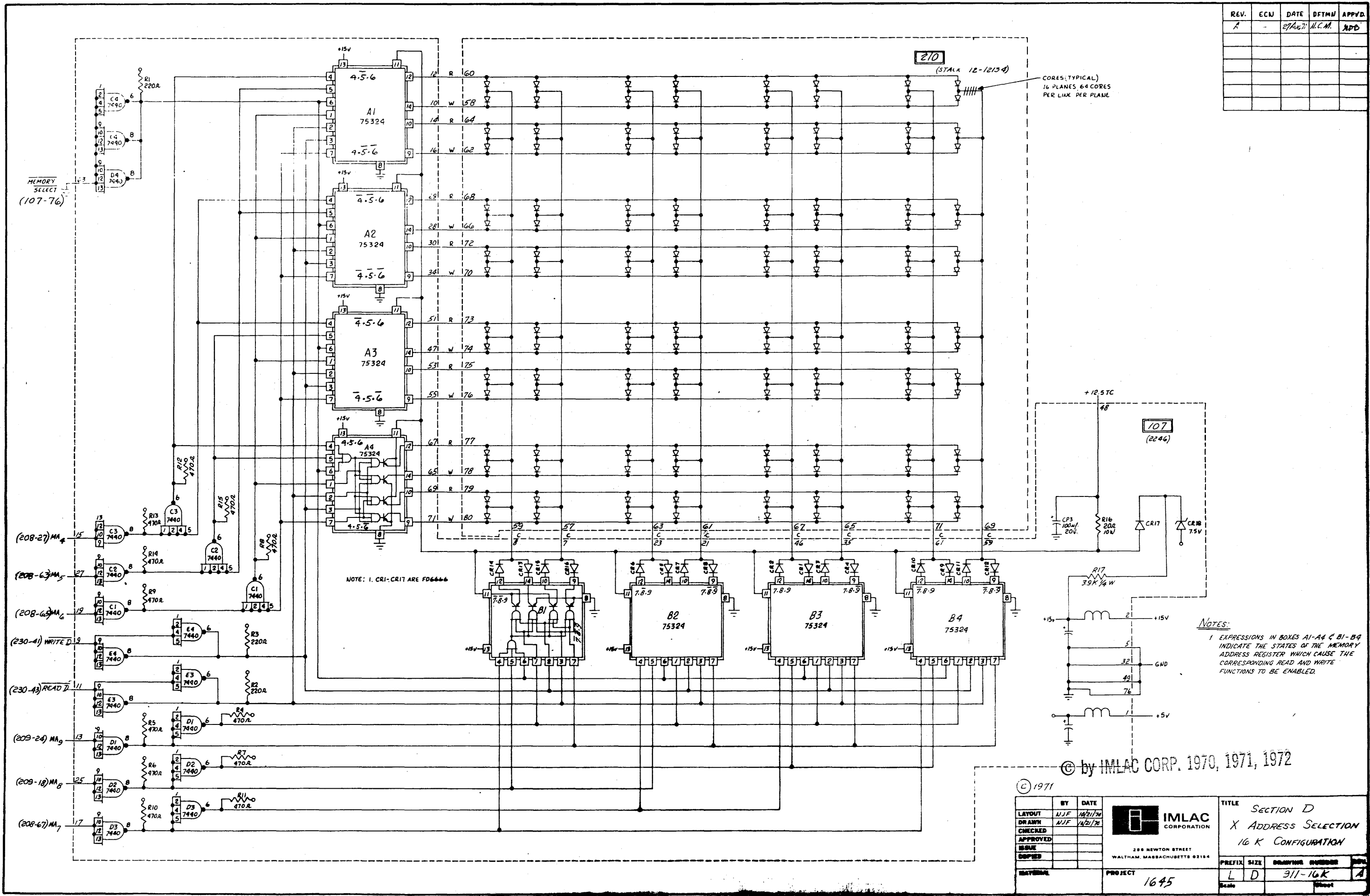
REV.	ECN	DATE	DTM	APPVD.



© by IMLAC CORP. 1970, 1971, 1972

LAYOUT	BY	DATE	 IMLAC CORPORATION 288 NEWTON STREET WALTHAM, MASSACHUSETTS 02154	TITLE SECTION C INHIBIT		
DRAWN	NJF	8/24/70		SENSE AMPLIFIERS		
CHECKED	NJF	11/26/70		16 K CONFIGURATION		
APPROVED				PREFIX	SIZE	DRAWING NUMBER
ISSUE				L	D	310-16K
COPIED				Scale		Sheet
MATERIAL			PROJECT			

REV.	ECN	DATE	DFTM	APPD.
A	-	2/24/71	N.C.M.	APD



© by IMLAC CORP. 1970, 1971, 1972

© 1971

LAYOUT	BY	DATE
CHECKED	NJF	10/21/70
APPROVED	NJF	10/21/70
ISSUE		
COPIED		

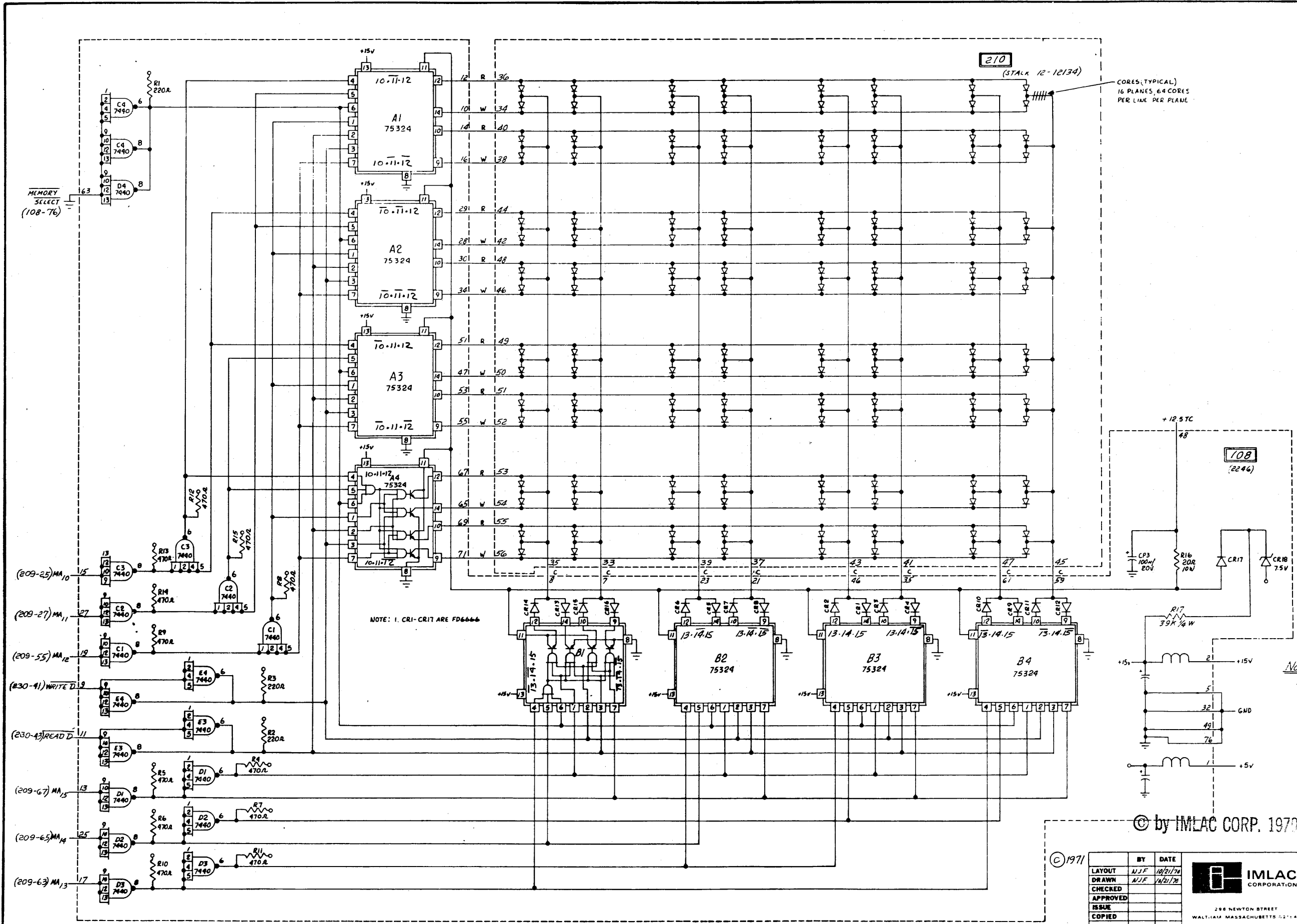
IMLAC CORPORATION
228 NEWTON STREET
WALTHAM, MASSACHUSETTS 02154

TITLE SECTION D
X ADDRESS SELECTION
16 K CONFIGURATION

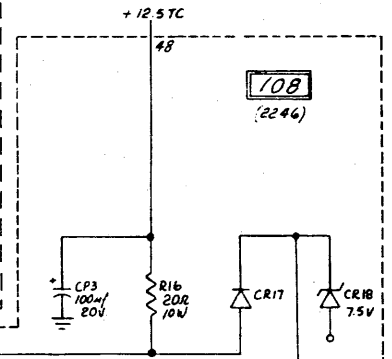
PREFIX	SIZE	DRAWING NUMBER	REV.
L	D	311-16K	A
Scale			Sheet

PROJECT 1645

REV.	ECN	DATE	DTM	APPV.
A	-	2/16/71	H.C.M.	S.P.S.



210
(STALK 12-12134)

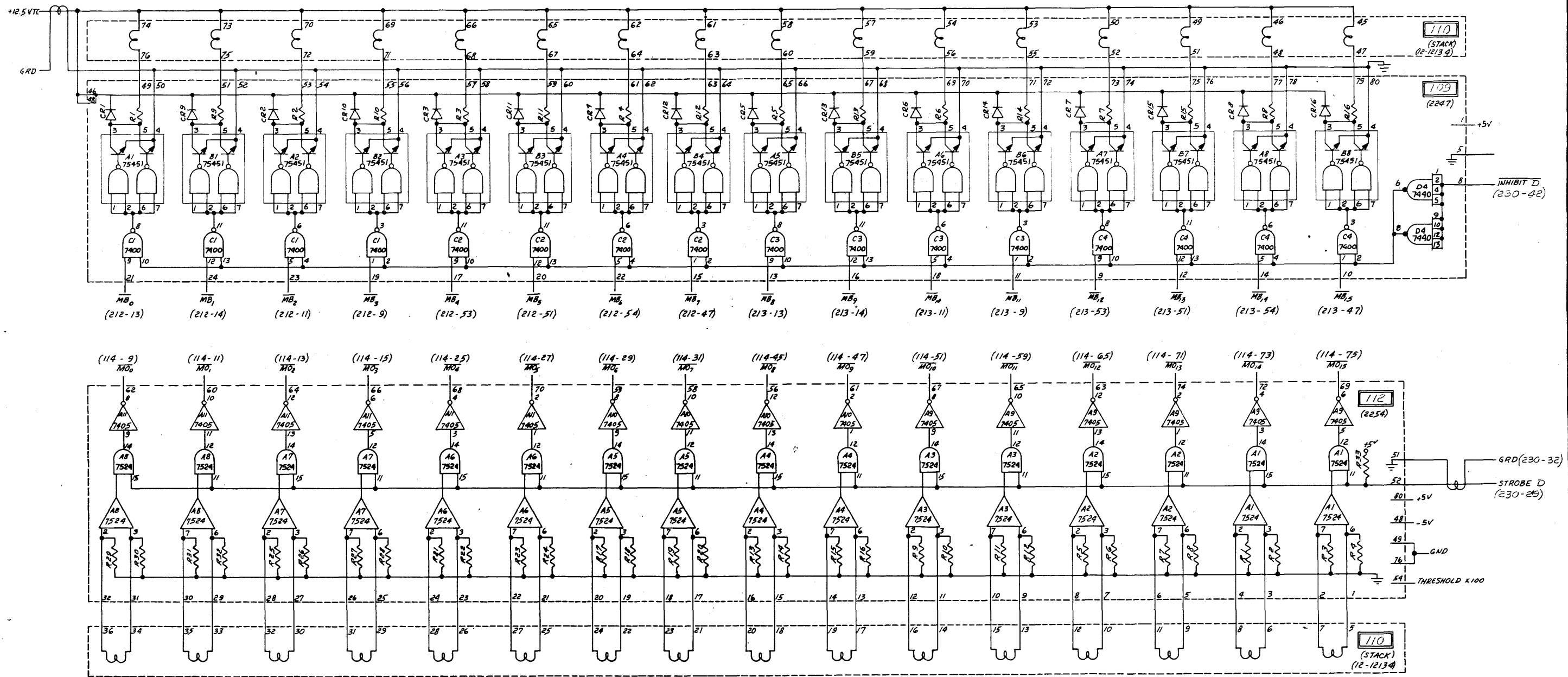


NOTES:
1. EXPRESSIONS IN BOXES A1-A4 & B1-B4 INDICATE THE STATES OF THE MEMORY ADDRESS REGISTER WHICH CAUSE THE CORRESPONDING READ AND WRITE FUNCTIONS TO BE ENABLED.


© by IMLAC CORP. 1970, 1971, 1972

LAYOUT		BY	DATE	 286 NEWTON STREET WALTHAM, MASSACHUSETTS 02154	TITLE	SECTION D
DRAWN		N.J.F.	10/21/70		Y ADDRESS SELECTION	
CHECKED		N.J.F.	10/21/70		16 K CONFIGURATION	
APPROVED						
ISSUE						
COPIED						
MATERIAL		PROJECT		1645	PREFIX	LD
					SIZE	912-16K
					DRAWING NUMBER	A
					REV.	
					Scale	Sheet

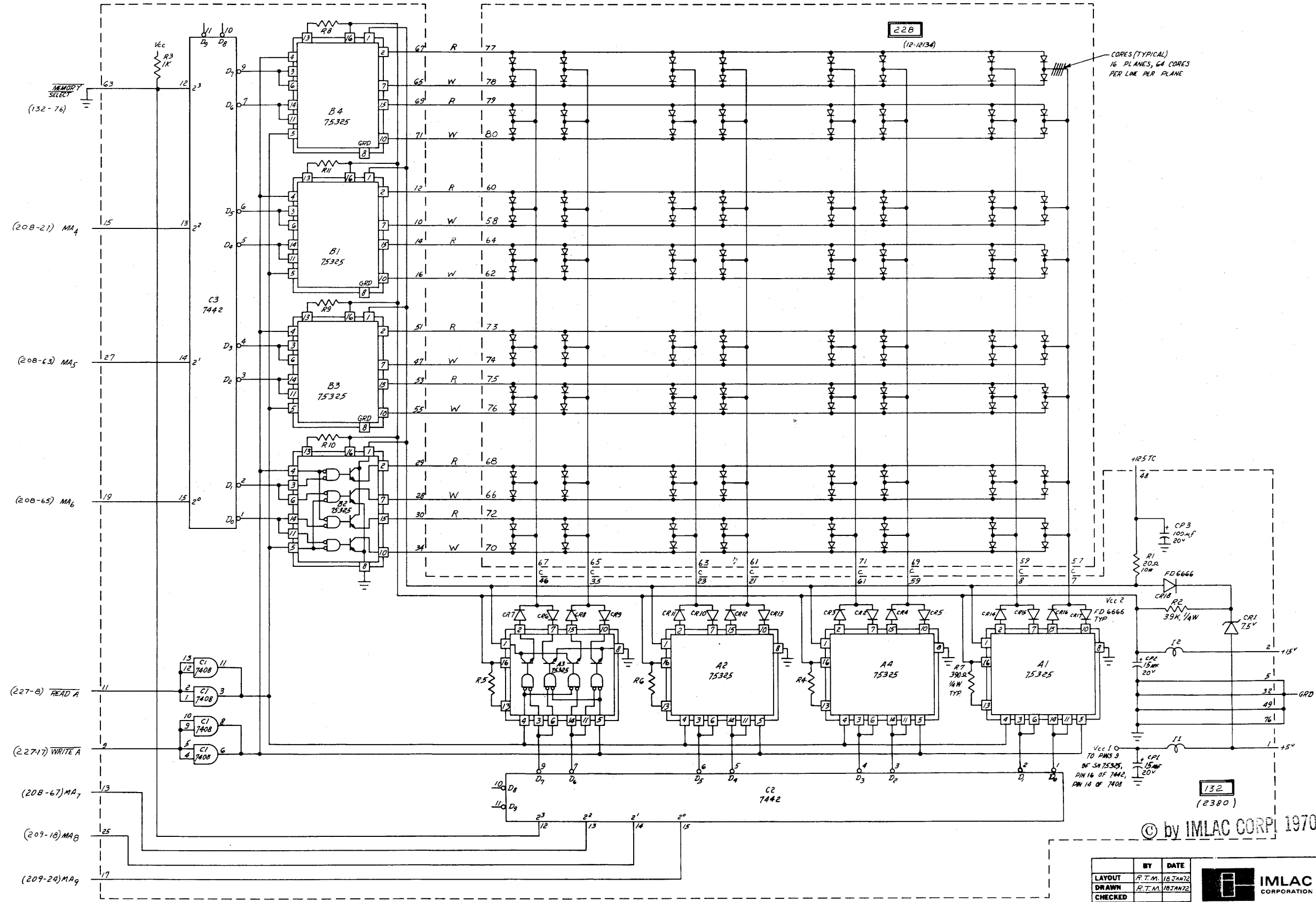
REV.	ECN	DATE	DFTMM	APPVD.



© by IMLAC CORP. 1970, 1971, 1972

BY	DATE	 IMLAC CORPORATION <small>288 NEWTON STREET WALTHAM, MASSACHUSETTS 02154</small>	TITLE SECTION D INHIBIT				
LAYOUT	MJF		11/26/70	SENSE AMPLIFIERS			
DRAWN	MJF		11/26/70	16 K CONFIGURATION			
CHECKED				PREFIX	SIZE	DRAWING NUMBER	REV.
APPROVED				L	D	313-16K	
ISSUE				Scale		Sheet	
COPIED			PROJECT				
MATERIAL							

REV	ECN	DATE	DTM	APPV

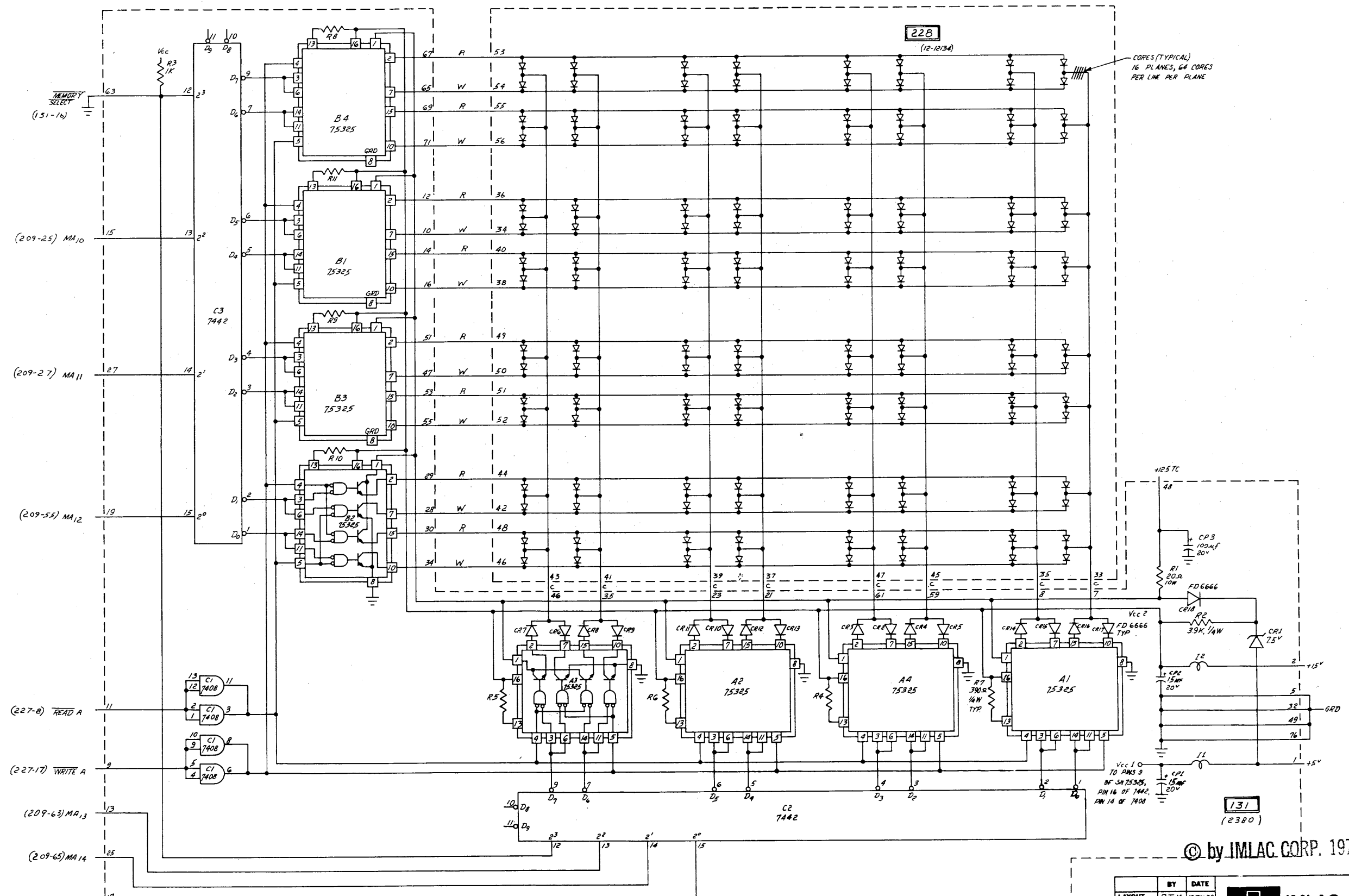


LAYOUT	BY	DATE	TITLE
DRAWN	R.T.M.	18 JAN 72	SECTION A
CHECKED	R.T.M.	18 JAN 72	XADDRESS SELECTION
APPROVED			
ISSUE			
COPIED			


MATERIAL		PROJECT	

PREFIX	SIZE	DRAWING NUMBER	REV.
	D	983	
Scale			Sheet

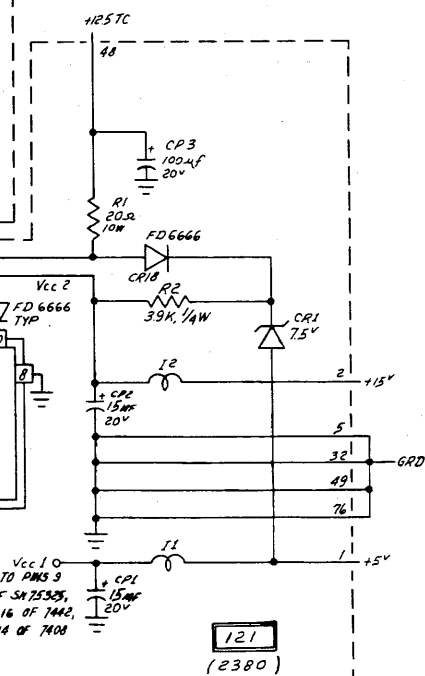
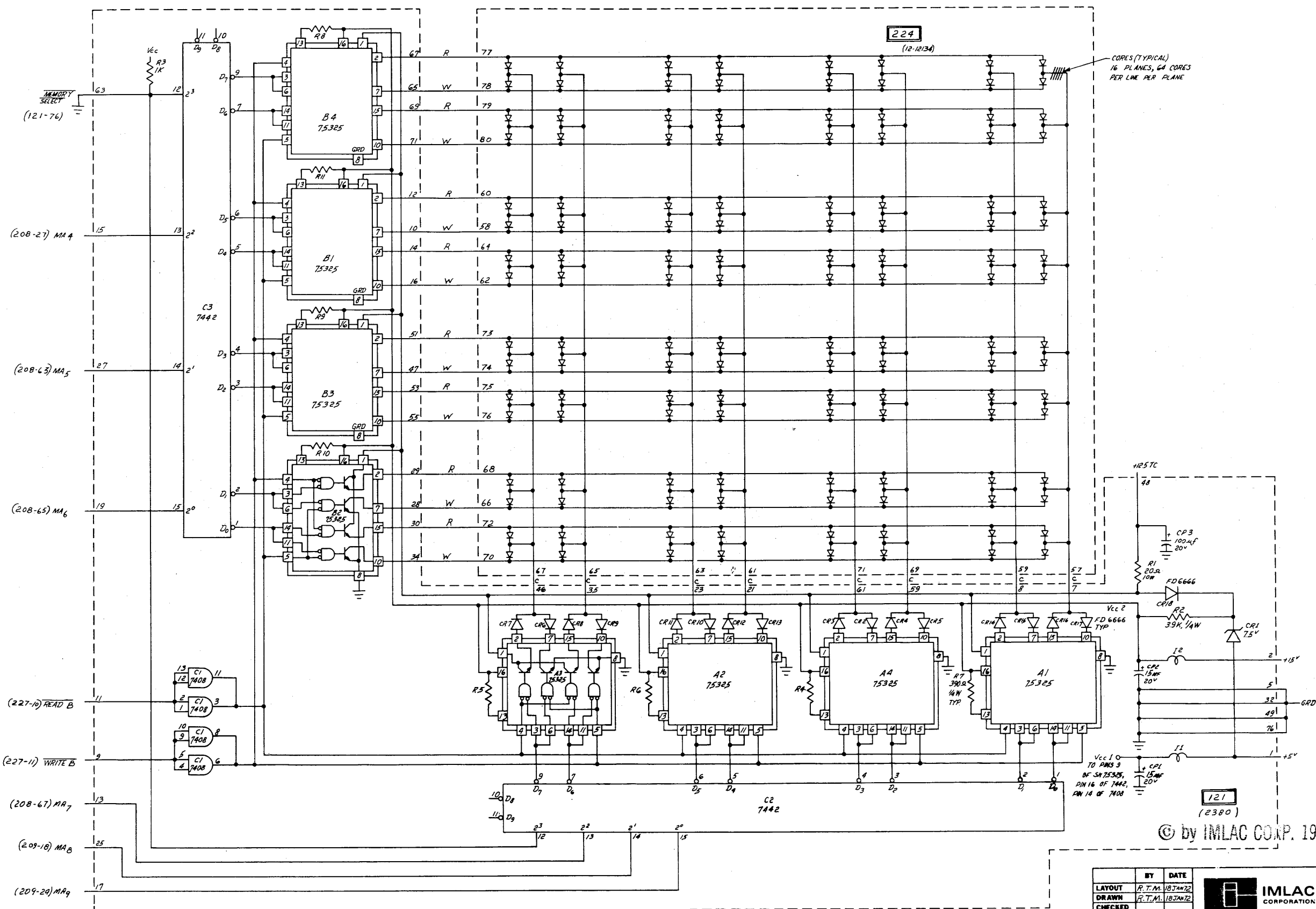
REV	ECH	DATE	DFTM	APPV




© by IMLAC CORP. 1970, 1971, 1972

BY	DATE	 IMLAC CORPORATION 288 NEWTON STREET WALTHAM, MASSACHUSETTS 02154	TITLE		
LAYOUT	R.T.M. 10/27/72		SECTION A		
DRAWN	R.T.M. 10/27/72		Y ADDRESS SELECTION		
CHECKED			PREFIX	SIZE	DRAWING NUMBER
APPROVED			D	984	
ISSUE			Scale		Sheet
COPIED		PROJECT			
MATERIAL					

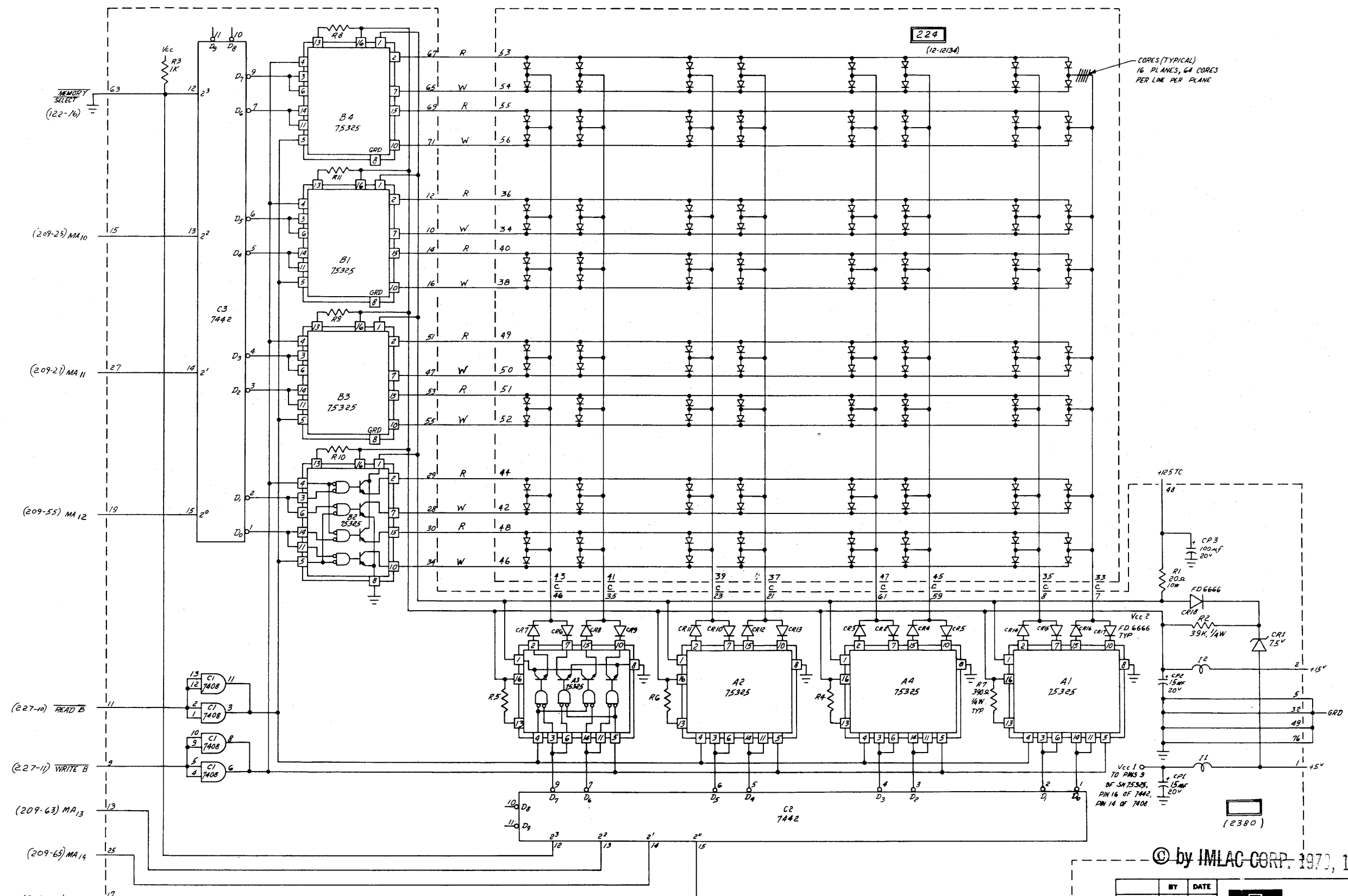
REV	ECN	DATE	BY	APPV




© by IMLAC CORP. 1970, 1971, 1972

LAYOUT		BY	DATE	 IMLAC CORPORATION 288 NEWTON STREET WALTHAM, MASSACHUSETTS 02154	TITLE							
		R.T.M.	18JAN72		SECTION B							
		R.T.M.	18JAN72		XADDRESS SELECTION							
MATERIAL		PROJECT		<table border="1"> <thead> <tr> <th>PREFIX</th> <th>SIZE</th> <th>DRAWING NUMBER</th> <th>REV.</th> </tr> </thead> <tbody> <tr> <td>D</td> <td> </td> <td>985</td> <td> </td> </tr> </tbody> </table>	PREFIX	SIZE	DRAWING NUMBER	REV.	D		985	
PREFIX	SIZE	DRAWING NUMBER	REV.									
D		985										

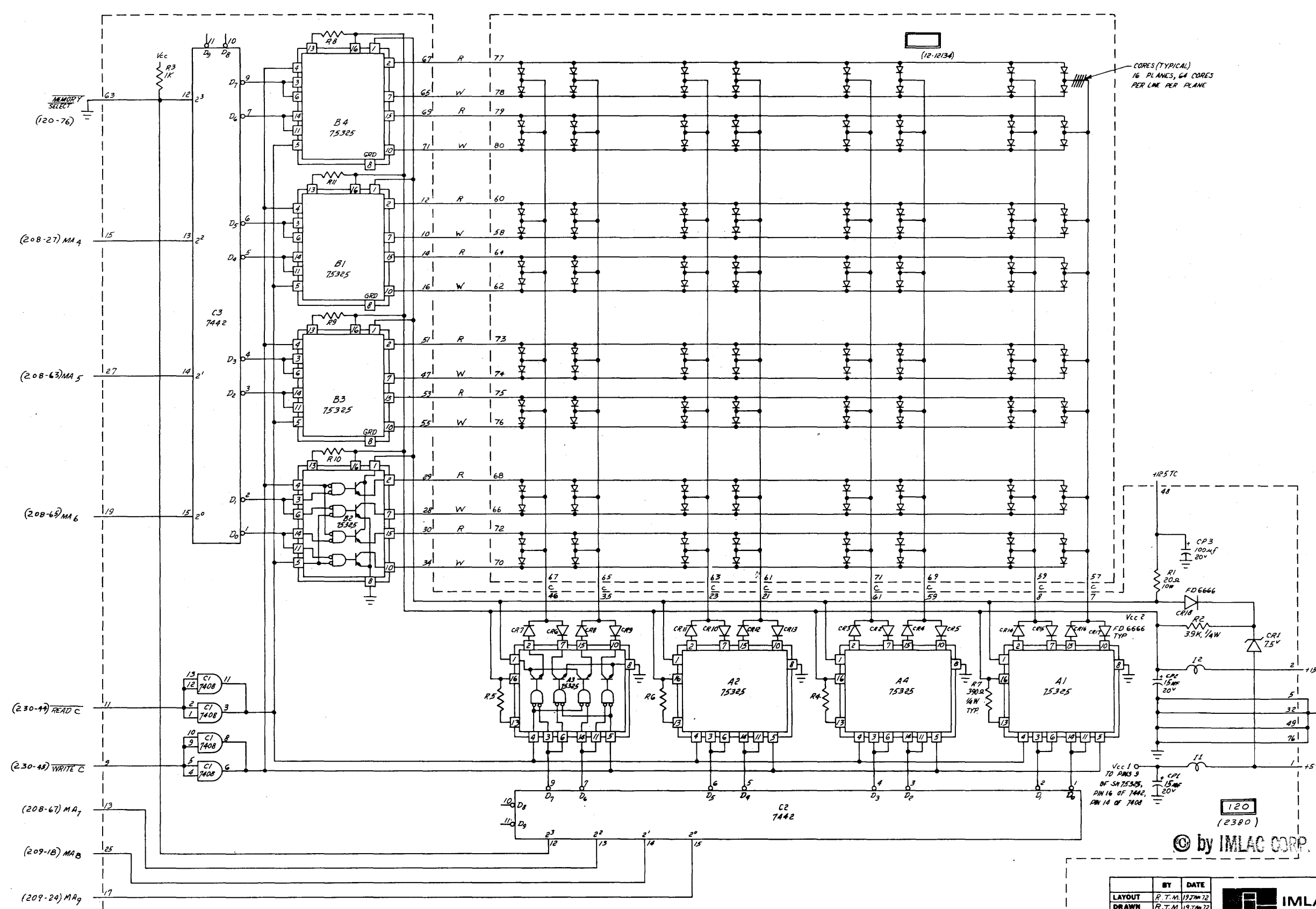
REV	ECN	DATE	DFTM	APPV



© by IMLAC CORP. 1970, 1971, 1972

BY		DATE	 IMLAC CORPORATION 200 NEWTON STREET WALTHAM, MASSACHUSETTS 02154	TITLE		
LAYOUT	R.T.M.	10/17/72		SECTION B		
DRAWN	R.T.M.	10/17/72		ADDRESS SELECTION		
CHECKED				PREFIX	SIZE	DRAWING NUMBER
APPROVED						986
ISSUE				Scale		Sheet
COPIED						
MATERIAL			PROJECT			

REV	ECN	DATE	DFTM	APPV



CORES (TYPICAL)
16 PLANES, 64 CORES
PER LINE PER PLANE

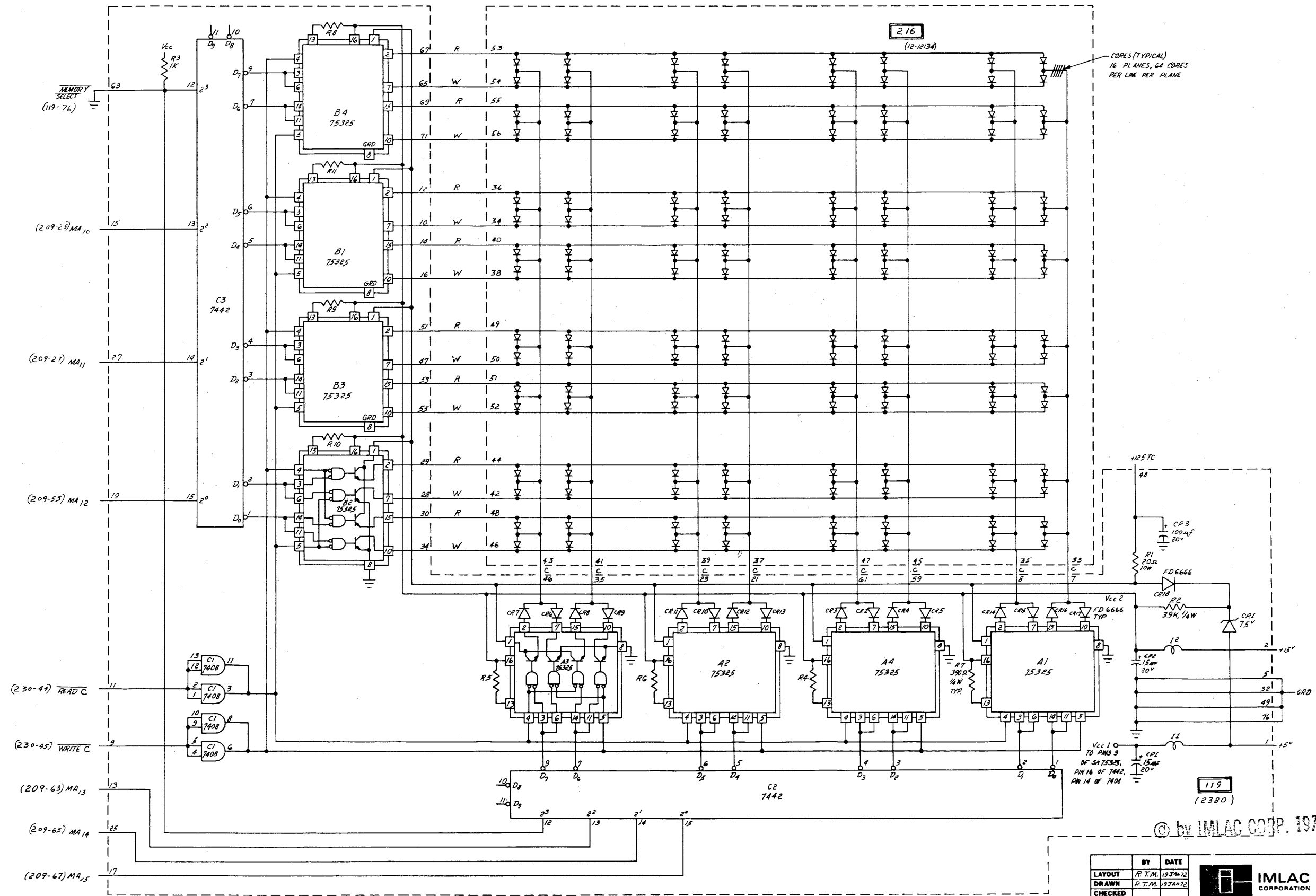
© by IMLAC CORP. 1970, 1971, 1972

BY	DATE
LAYOUT	R.T.M. 1977/72
DRAWN	R.T.M. 1977/72
CHECKED	
APPROVED	
ISSUE	
COPIED	
MATERIAL	



TITLE			
SECTION C ADDRESS SELECTION			
PREFIX	SIZE	DRAWING NUMBER	REV.
L	D	987	
Scale		Sheet	

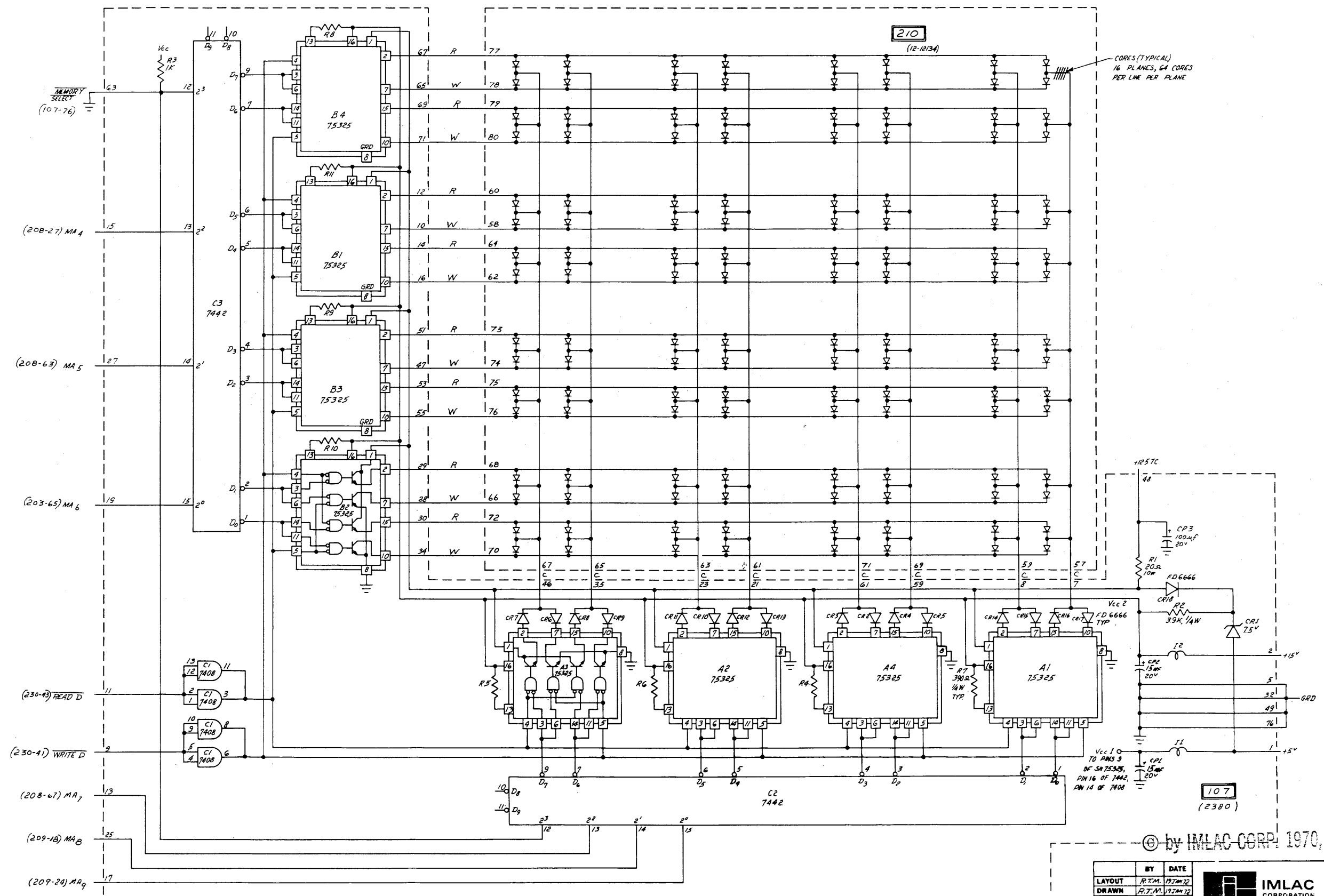
REV	ECN	DATE	DFTMN	APPV



© by IMLAC CORP. 1970, 1971, 1972

BY	DATE	IMLAC CORPORATION 288 NEWTON STREET WALTHAM, MASSACHUSETTS 02154	TITLE	
LAYOUT	R.T.M. 12/11/72		SECTION C Y ADDRESS SELECTION	
DRAWN	R.T.M. 12/11/72	PREFIX	SIZE	DRAWING NUMBER
CHECKED		L	D	988
APPROVED		Scale		Sheet
ISSUE		MATERIAL	PROJECT	
COPIED				

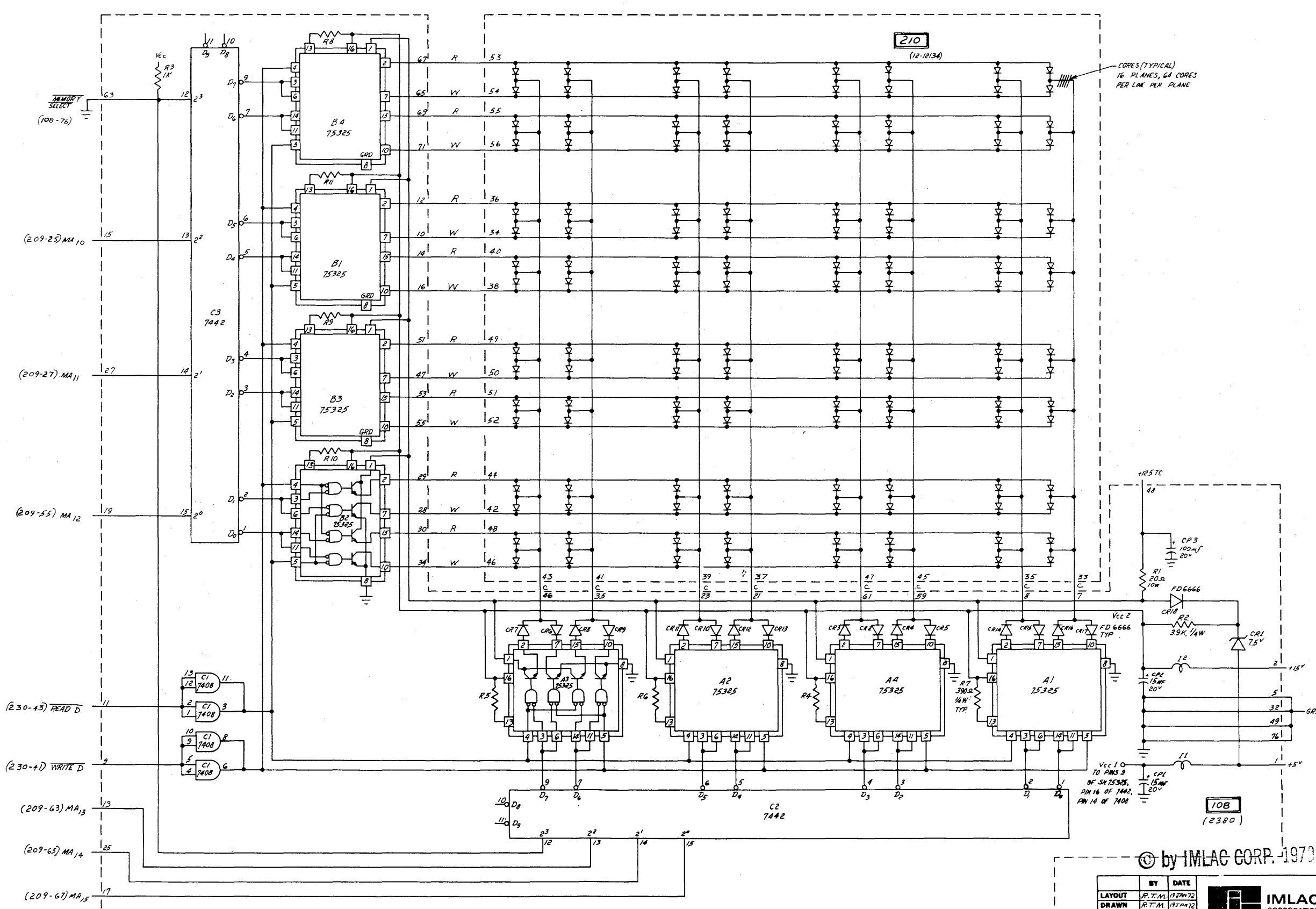
REV	ECN	DATE	DFM	APPV



© by IMLAC CORP. 1970, 1971, 1972


BY		DATE	IMLAC CORPORATION 288 NEWTON STREET WALTHAM, MASSACHUSETTS 02154	TITLE	
LAYOUT	R.T.M.	1971/12		SECTION D	ADDRESS SELECTION
DRAWN	R.T.M.	1971/12	PROJECT	PREFIX	SIZE
CHECKED				L	D
APPROVED				DRAWING NUMBER	REV.
ISSUE				989	
COPIED				Scale	Sheet

REV	ECN	DATE	DFTMN	APPV

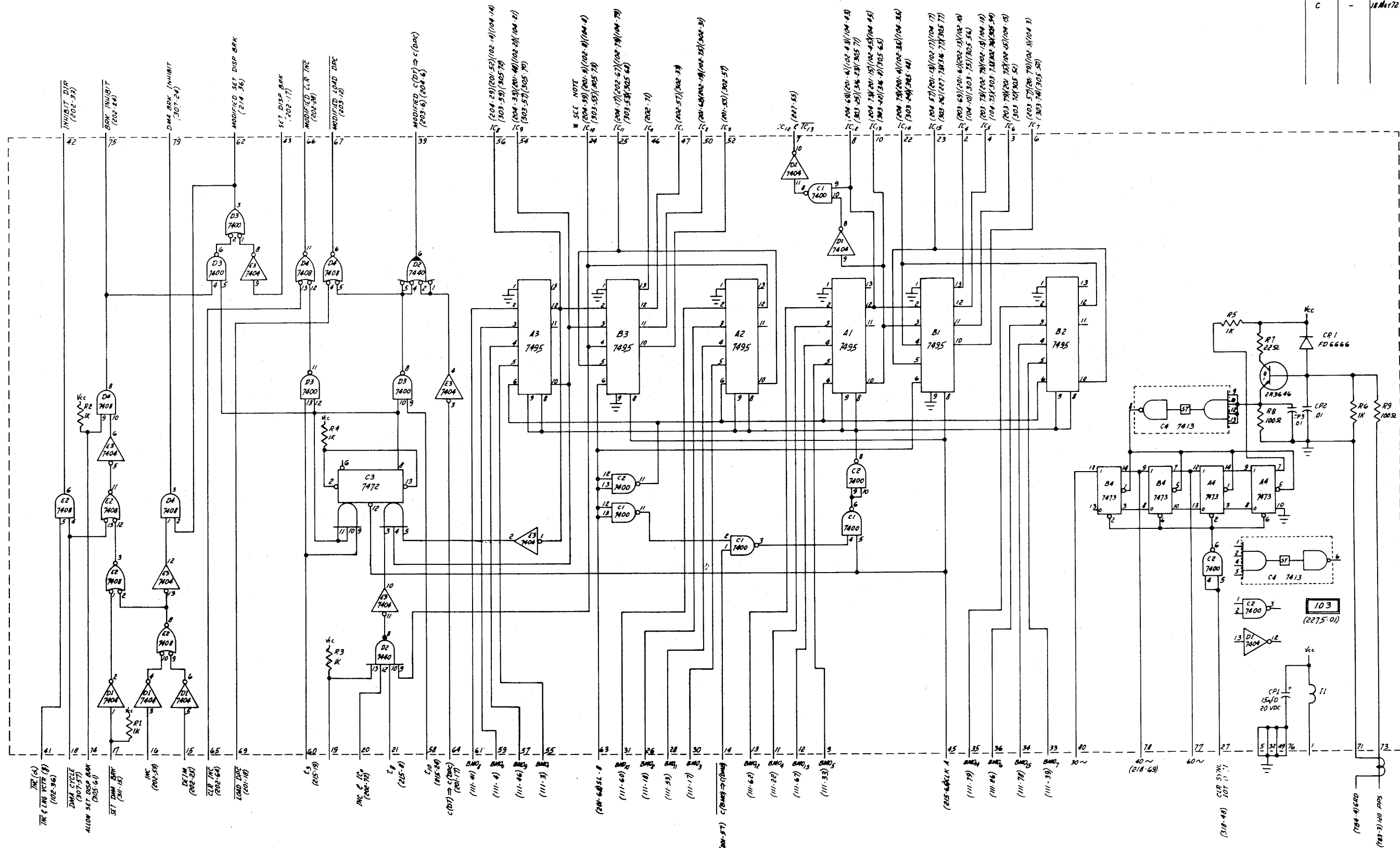


CORES (TYPICAL)
16 PLANES, 64 CORES
PER LINE PER PLANE

© by IMLAG CORP. 1970, 1971, 1972

LAYOUT	BY	DATE	 IMLAC CORPORATION 288 NEWTON STREET WALTHAM, MASSACHUSETTS 02154	TITLE		
	R.T.M.	12/7/72		SECTION D		
	R.T.M.	12/7/72		Y ADDRESS SELECTION		
CHECKED				PREFIX	SIZE	DRAWING NUMBER
APPROVED				L	D	990
ISSUE				Scale		Sheet
COPIED			PROJECT			
MATERIAL						

REV	ECN	DATE	DFT/WH	APRV
A	635	10 FEB 72	H.C.M.	H.P.S.
B	-	11 APR 72	R.T.M.	943
C	-	18 MAY 72	H.C.M.	1111



NOTES
 * R₁₀ DOES NOT CONNECT TO 201-9 IF SUPPRESSED
 6400 CARD IS INSTALLED IN SLOT 305.

© by IMLAC CORP. 1970, 1971, 1972

© 1971

LAYOUT	BY	DATE
DRAWN	H.C.M.	5/16/71
CHECKED	H.C.M.	5/16/71
APPROVED		
ISSUE		
COPIED		

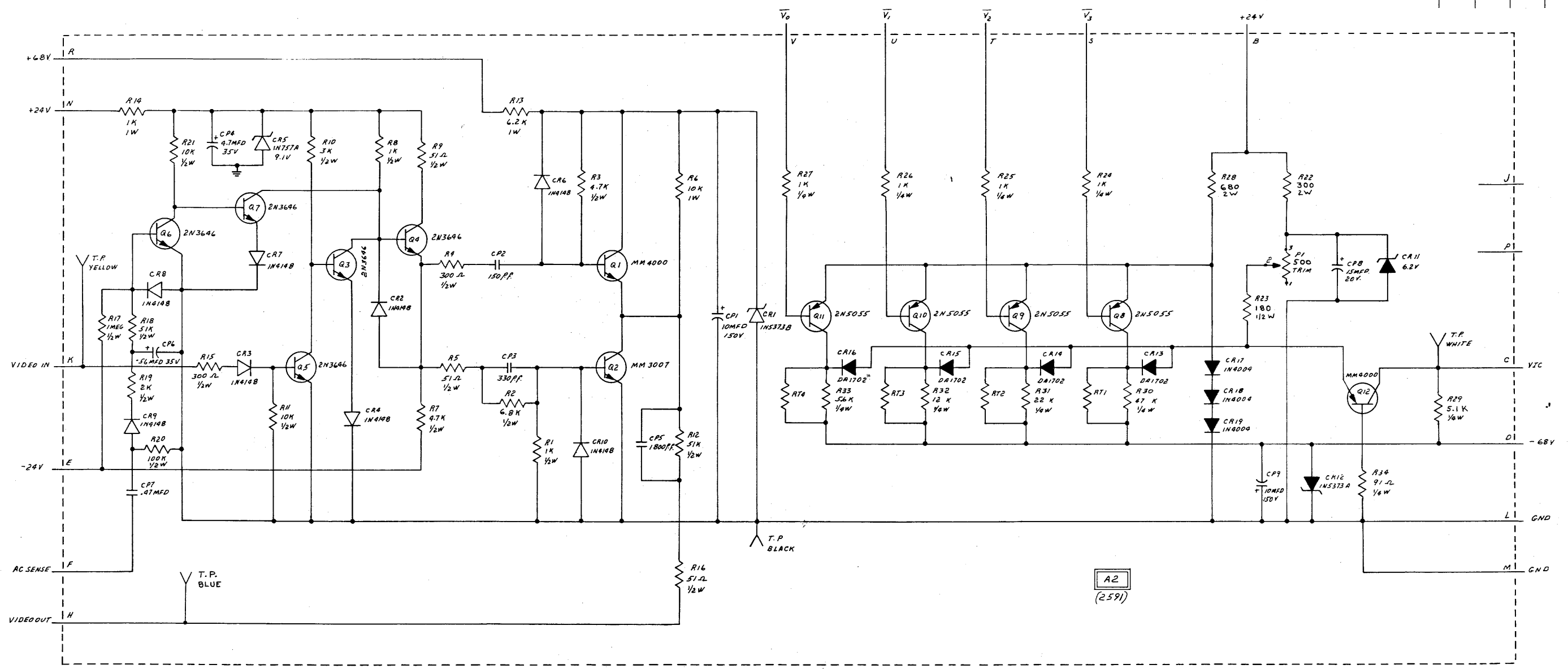
IMLAC CORPORATION
 288 NEWTON STREET
 WALTHAM, MASSACHUSETTS 02154

TITLE
 DISPLAY MEMORY BUFFER &
 INCREMENT CONTROL REG
 & 40 CYCLE SYNC & DEIL

PREFIX	SIZE	DRAWING NUMBER	REV.
L	D	997	C

Scale _____ Sheet _____

REV.	ECN	DATE	DESM	APP'D.
A	-	6MAY72	R.T.M.	11/72
B	-	15MAY72	GB	11/86



A2
(2591)

© by IMLAC CORP. 1970, 1971, 1972

BY		DATE	IMLAC CORPORATION 286 NEWTON STREET WALTHAM, MASSACHUSETTS 02154	TITLE			
LAYOUT	J.V.	2-18-72		VIDEO AMPLIFIER AND GREY SCALE DAC			
DRAWN	J.V.	2-19-72	PREFIX SIZE DRAWING NUMBER REV.				
CHECKED			L	D	998	B	
APPROVED			Sheet				
ISSUE							
COPIED							
MATERIAL			PROJECT				