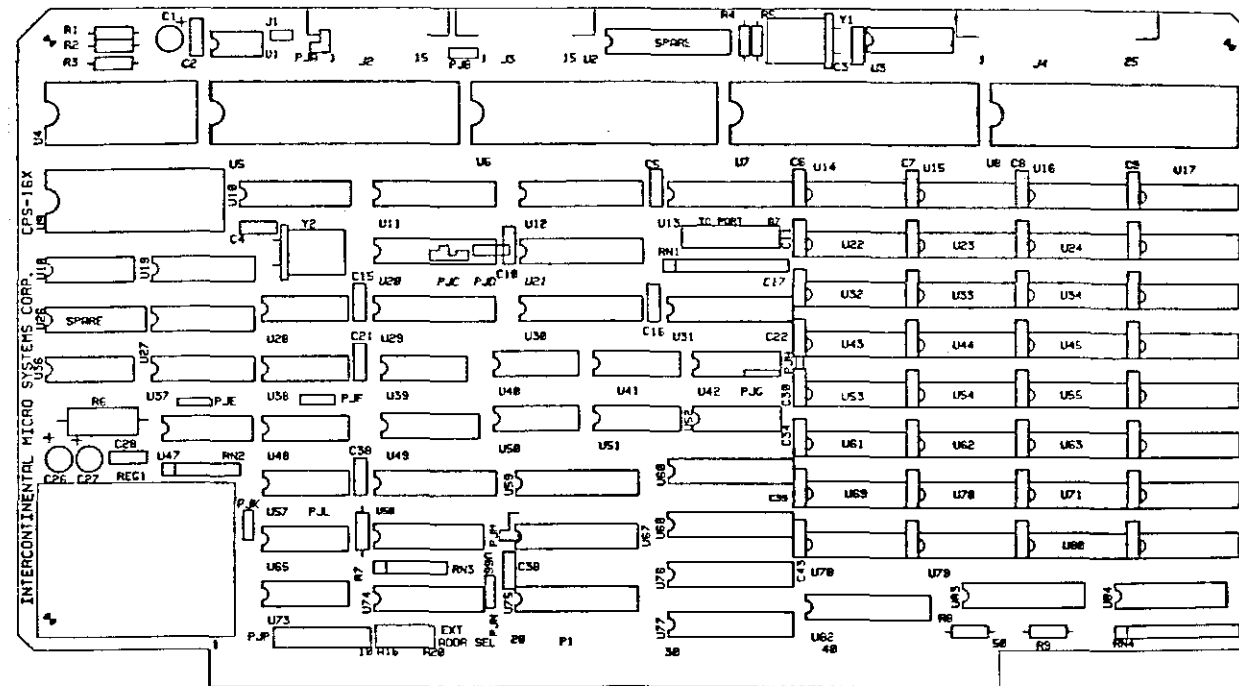


3.3K ohm	Resistor 10-pin SIP	RN1, RN4	2
4.7K ohm	Resistor 6-pin SIP	RN2, RN3	2
10 ohm	Resistor 2 watt	R6	1
33 ohm	Resistor 1/4 watt	R8, R9	2
1.2K ohm	Resistor 1/4 watt	R1, R4, R5, R7	4
4.7K ohm	Resistor 1/4 watt	R3	1
20K ohm	Resistor 1/4 watt	R2	1
REG 78H05	+5V Regulator	REG1	1
5 pico-farad	Capacitor, Mica	C4	1
0.1 micro-farad	Capacitor, Tant	C5-25, 26-46	40
0.01 micro-farad	Capacitor, Ceramic	C2, C3	2
10 micro-farad	Capacitor, Tant	C1, C27	2
22 micro-farad	Capacitor, Tant	C26	1
24 MHz	Crystal	Y2	1
2.4576 MHz	Crystal	Y1	1
2x8 jumper array			1
Cnctr Rt Angle 1x2		J1	1
2-640463-3	8-pin socket	U1	1
2-640357-3	14-pin socket	U3, 18, 28, 36, 38-42	17
		47, 48, 50-52, 57, 65, 73	
2-640358-3	16-pin socket	U14-17, 19, 22-25, 27, 36	36
		32-35, 37, 43-46, 49, 53-56, 61-64, 69-72, 78-81	
2-640359-3	18-pin socket	U10, 66, 74, 84	4
2-640464-3	20-pin socket	U11-13, 20, 21, 29-31	18
		58-60, 67, 68, 75-77, 82, 83	
2-640361-3	24-pin socket	U4	1
2-640362-3	28-pin socket	U9	1
2-640379-3	40-pin socket	U5-8	4
HEATSINK 6104B	Base w/ Hat		1
IDH-16LP-SR3-TG	16-pin male rt. angle cnctr	J2, J3	2
IDH-26LP-SR3-TG	26-pin male rt. angle cnctr	J4	2
#6 NUT			2
#6 WASHER			2
6/32X1/2 SCREW			2
CPS-16X Blank Card			2

74LS00	QUAD NAND GATE	U40, 52	2
74LS02	QUAD NOR GATE	U39	1
74LS04	HEX INVERTER	U3, 41	2
74LS10	TRI NAND GATE	U48	1
74LS32	QUAD OR GATE	U38	1
74LS74A	DUAL D FLIP/FLOP	U36, 47, 73	3
74LS109	DUAL J-K FLIP/FLOP	U27	1
74LS138	PRIORITY ENCODER	U19	1
74LS139	PRIORITY ENCODER	U49	1
74LS164	SERIAL-PARALLEL REG	U57	1
74LS175	QUAD REGISTER	U37	1
74LS240	OCTAL INVERTER	U67	1
74LS244	OCTAL BUFFER	U13, 21, 29, 30, 58, 68, 77, 83	8
74LS245	OCTAL BI-DIRECTIONAL	U60, 75, 76, 82	4
74LS373	OCTAL REGISTER	U11, 12	2
74S00	QUAD NAND GATE	U51	1
74S08	QUAD AND GATE	U28	1
74S32	QUAD OR GATE	U50	1
74S240	OCTAL INVERTER	U59	1
7438	QUAD NAND GATE OC	U18, 65	2
74126	QUAD 3-STATE BUFFER	U42	1
8086-2	16-BIT MICROPROCESSOR	U6	1

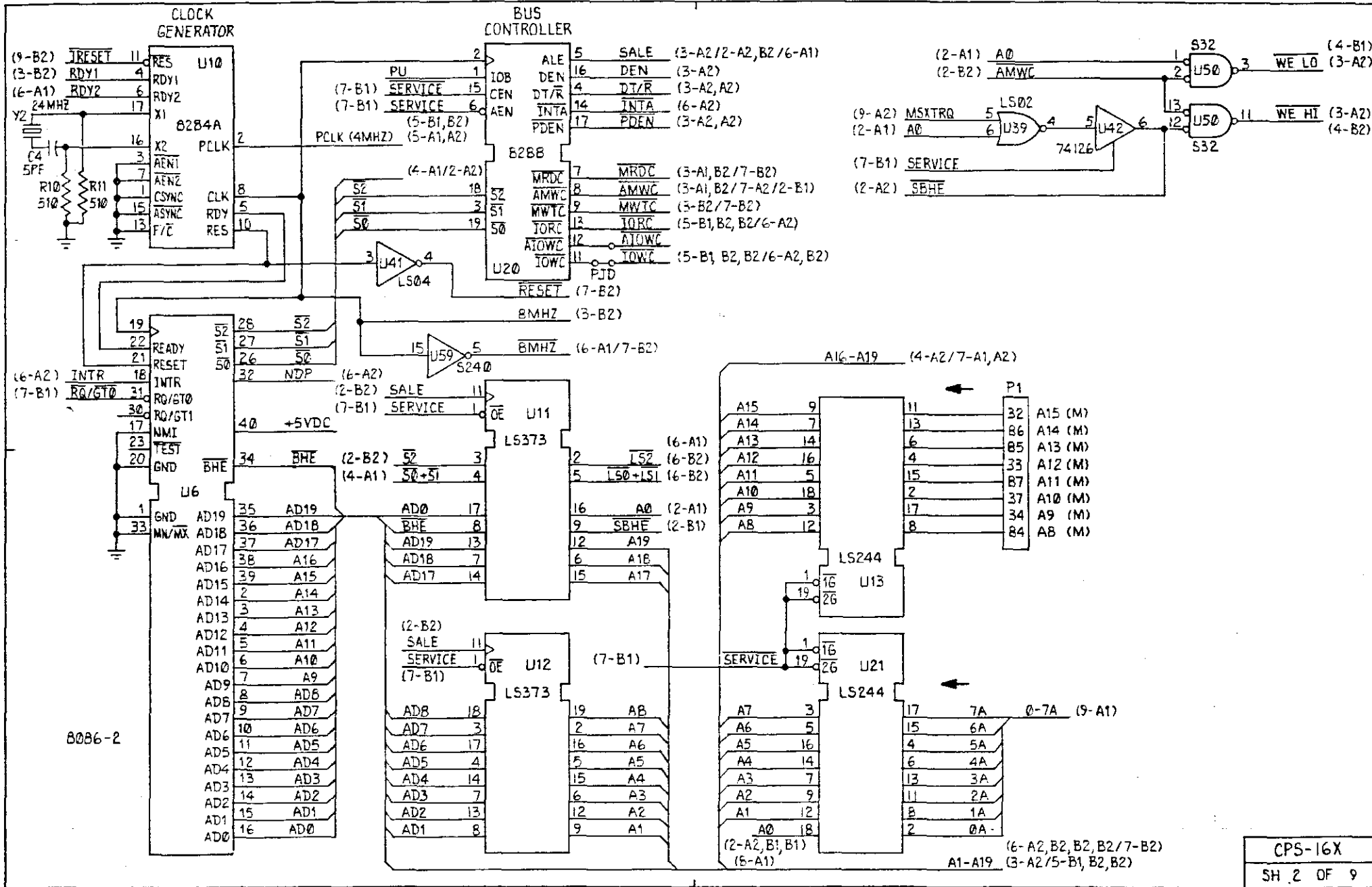


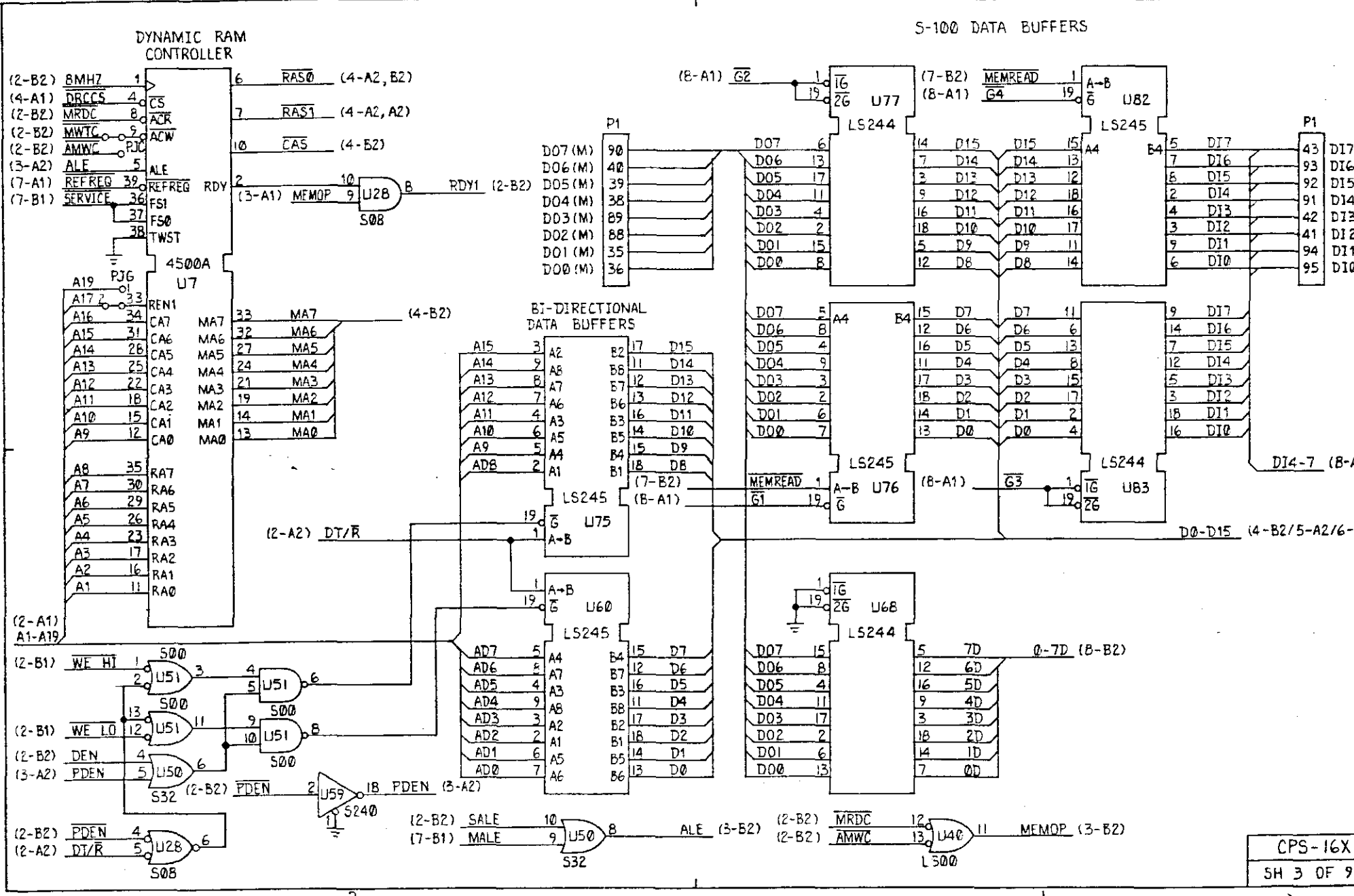
INTERCONTINENTAL MICRO SYSTEMS 16 BIT SLAVE BD. SILKSCREEN

8253	COUNTER/TIMER	U4	1
8259A	INTERRUPT CONTROLLER	U9	1
8284A	CLOCK GENERATOR	U10	1
8288	BUS CONTROLLER	U20	1
8530 (8531)	SERIAL CNTRL SYNC/(ASYNC)	U5	1
8536	PARALLEL INTERFACE CNTRL	U8	1
AM25LS2521DC	8-BIT COMPARATOR	U31	1
AM27833DC	1K X 4 PROM TS		2
	310-02	U74	
	310-03	U84	
EOG 955M	ONE-SHOT	U1	1
M5K4164S-15	64K X 1 DYNAMIC RAM	U14-17, 22-25, U32-35, 43-46, 53-56, U61-64, 69-72, 78-81	32
TMS4500A-15	DYNAMIC RAM CONTROLLER	U7	1

Designed By:	INTERCONTINENTAL MICRO SYSTEMS	
<i>R Tochi 5-84</i>		
Checked By:	SCHEMATIC/LOGIC DIAGRAM 16-BIT, 256K SLAVE	
Rev: D	CPS-16X	Sheet 1 of 9

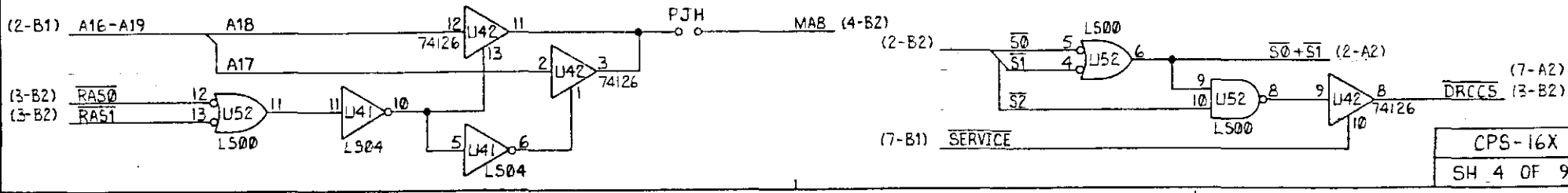
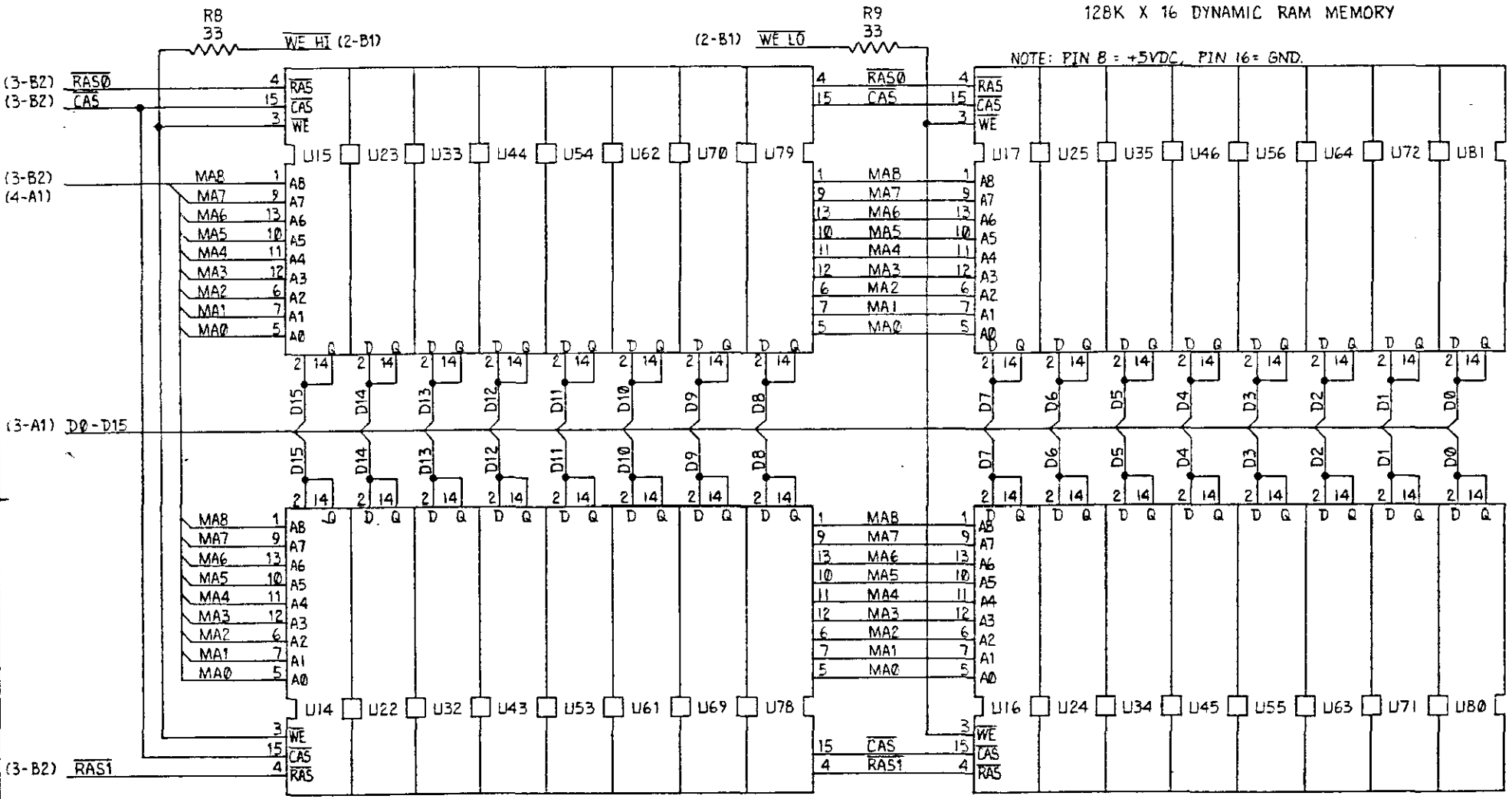
REV	DESCRIPTION	APPR. BY	DATE
A	SCHEMATIC UPDATE	<i>R Tochi</i>	5-18-84
B	ADD R10, R11; CHANGE MASTER REFRESH	<i>R Tochi</i>	1-20-84
C	CORRECT ARTWORK	<i>R Tochi</i>	2-12-84
D	CORRECT ARTWORK	<i>R Tochi</i>	3-15-84

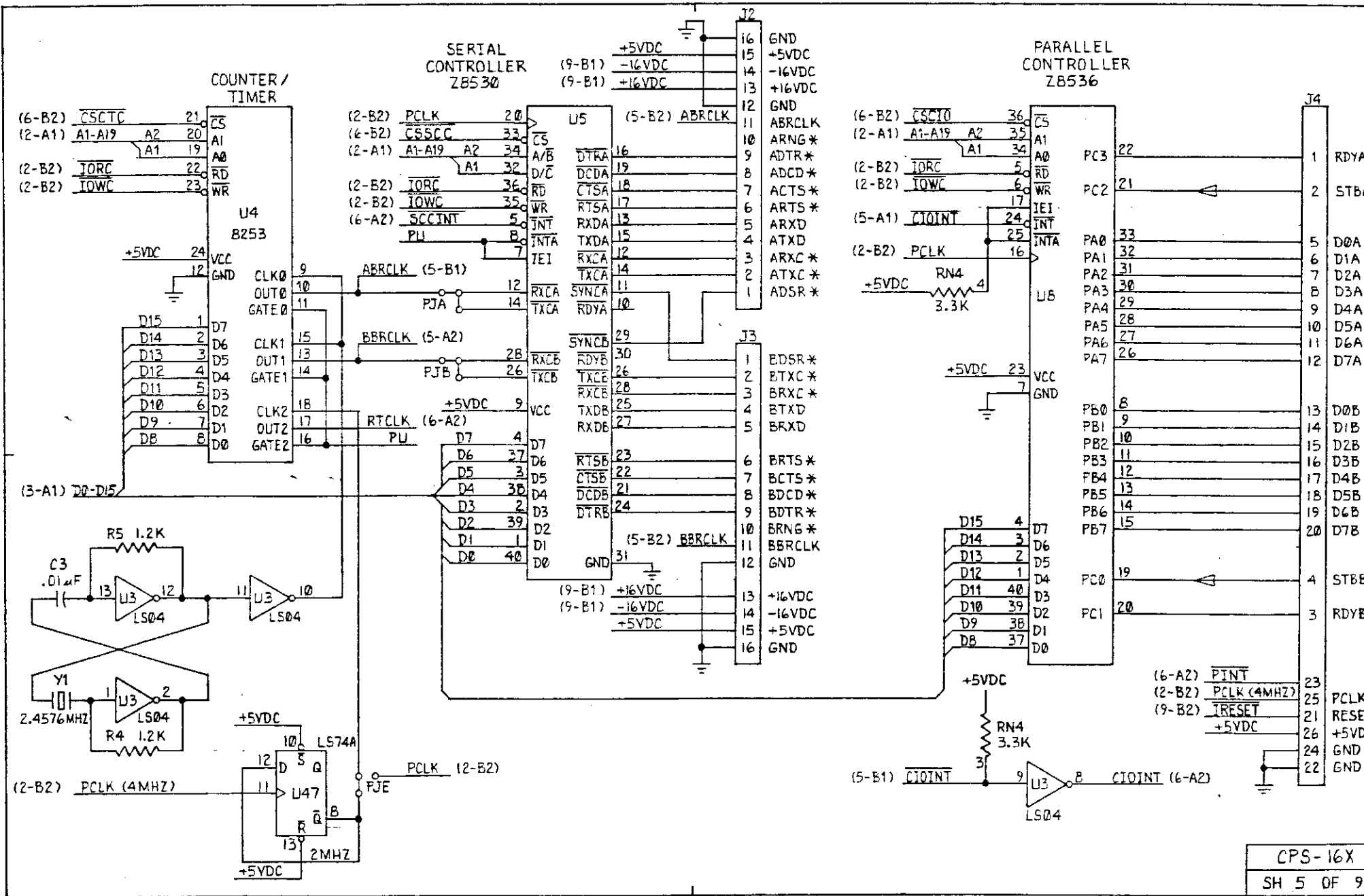


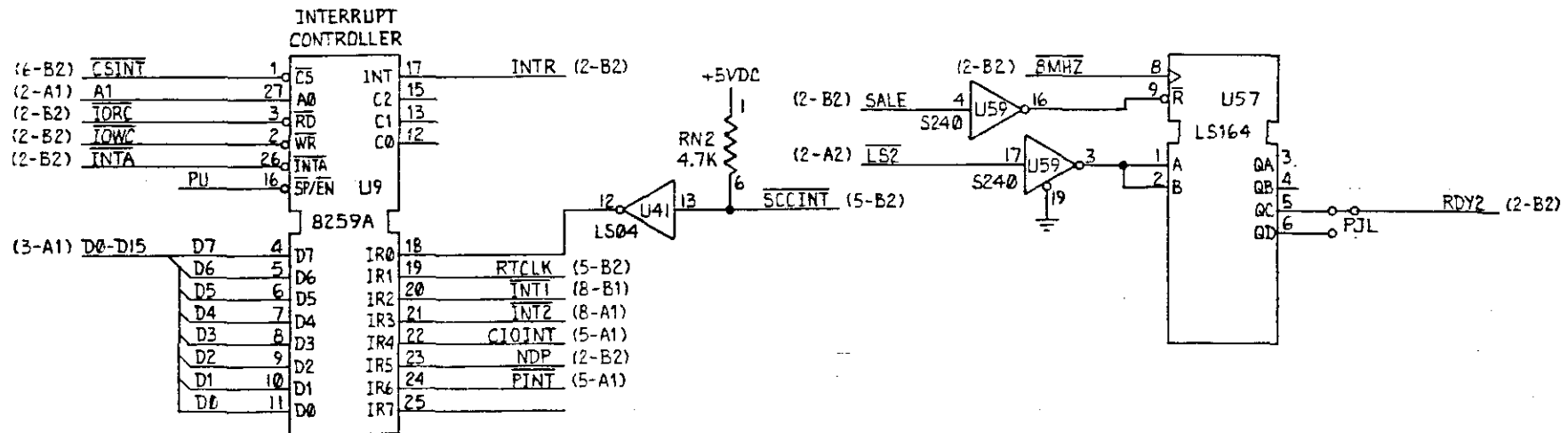
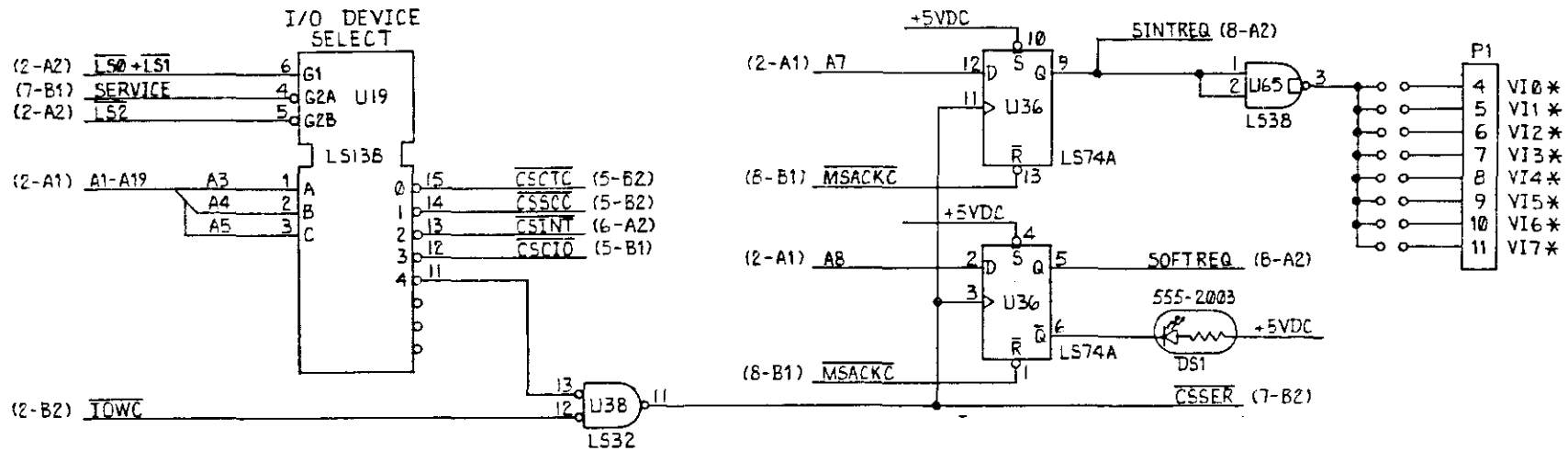


128K X 16 DYNAMIC RAM MEMORY

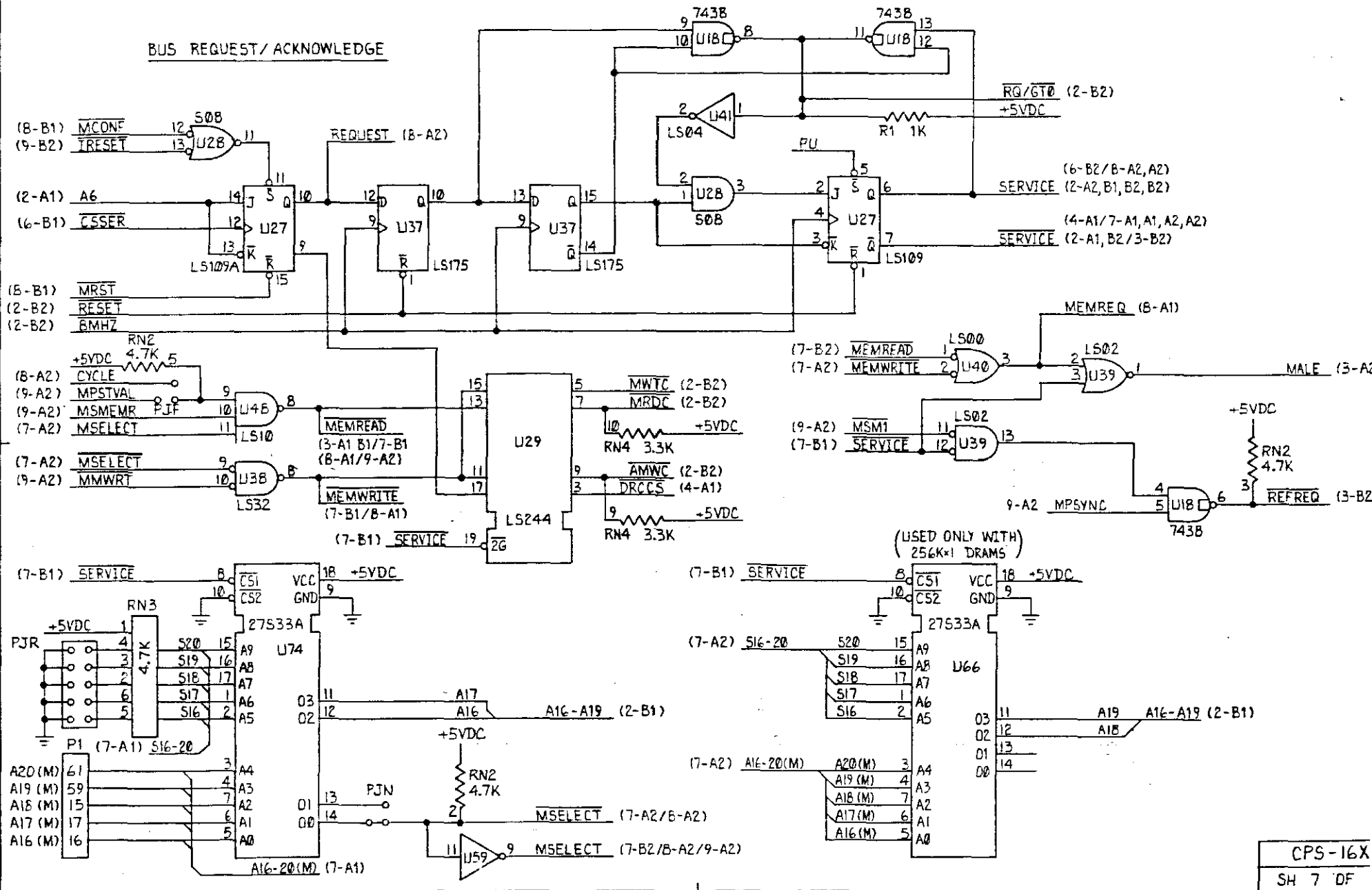
NOTE: PIN B = +5VDC, PIN 16 = GND.

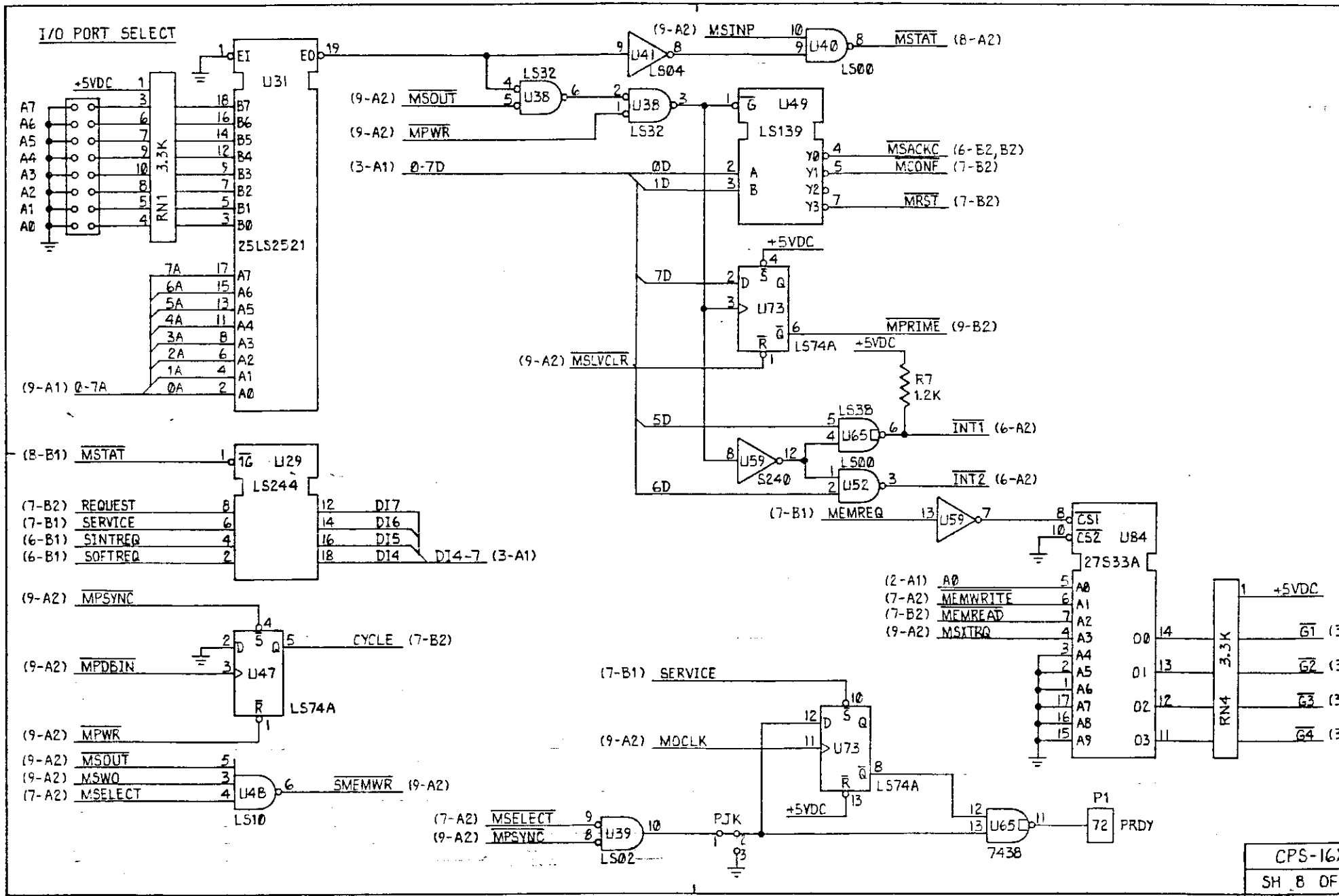


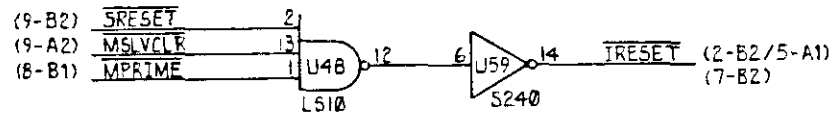
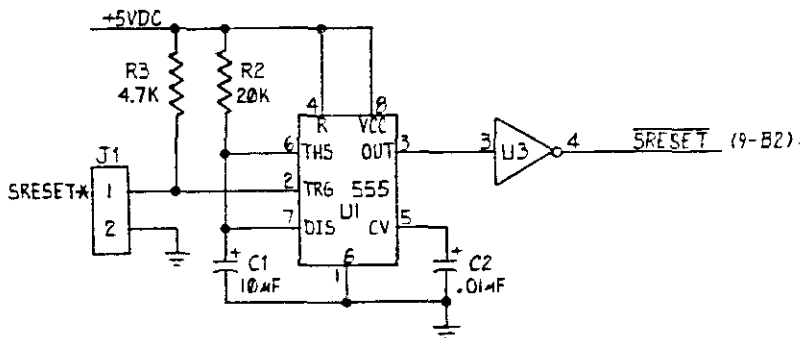




BUS REQUEST/ACKNOWLEDGE







5-100 STATUS/
COMMAND BUFFERS

