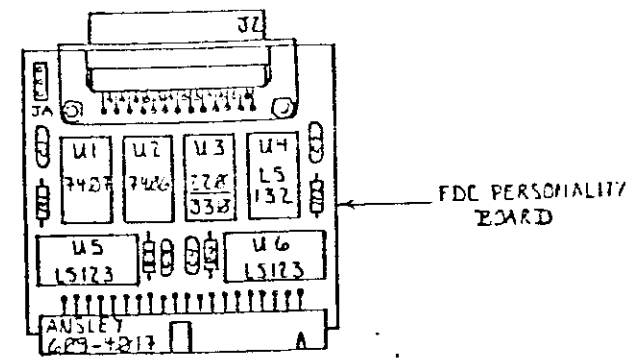


FUNCTION	JZ	J-8IN	J-5 1/4 IN
DS1*	1	26	10
DS2*	2	28	12
DS3*	3	30	14
DS4*	4	32	6
DIRCK*	5	34	18
STEP*	6	36	20
WRITE DATA*	7	38	22
WRITE GATE*	8	40	24
TRACKS*	9	42	26
WRITE PROT*	10	44	28
READ DATA*	11	46	30
SSO*	12	14	32
HEAD LOAD*	13	18	-
INDEX*	14	20	8
READY*	15	22	-
MOTOR ON*	16	24	16
TR43*	17	2	-
GND	18	-	-
GND	19	-	-
GND	20	-	-
GND	21	-	-
GND	22	-	-
GND	23	-	-
GND	24	-	-
GND	25	-	-

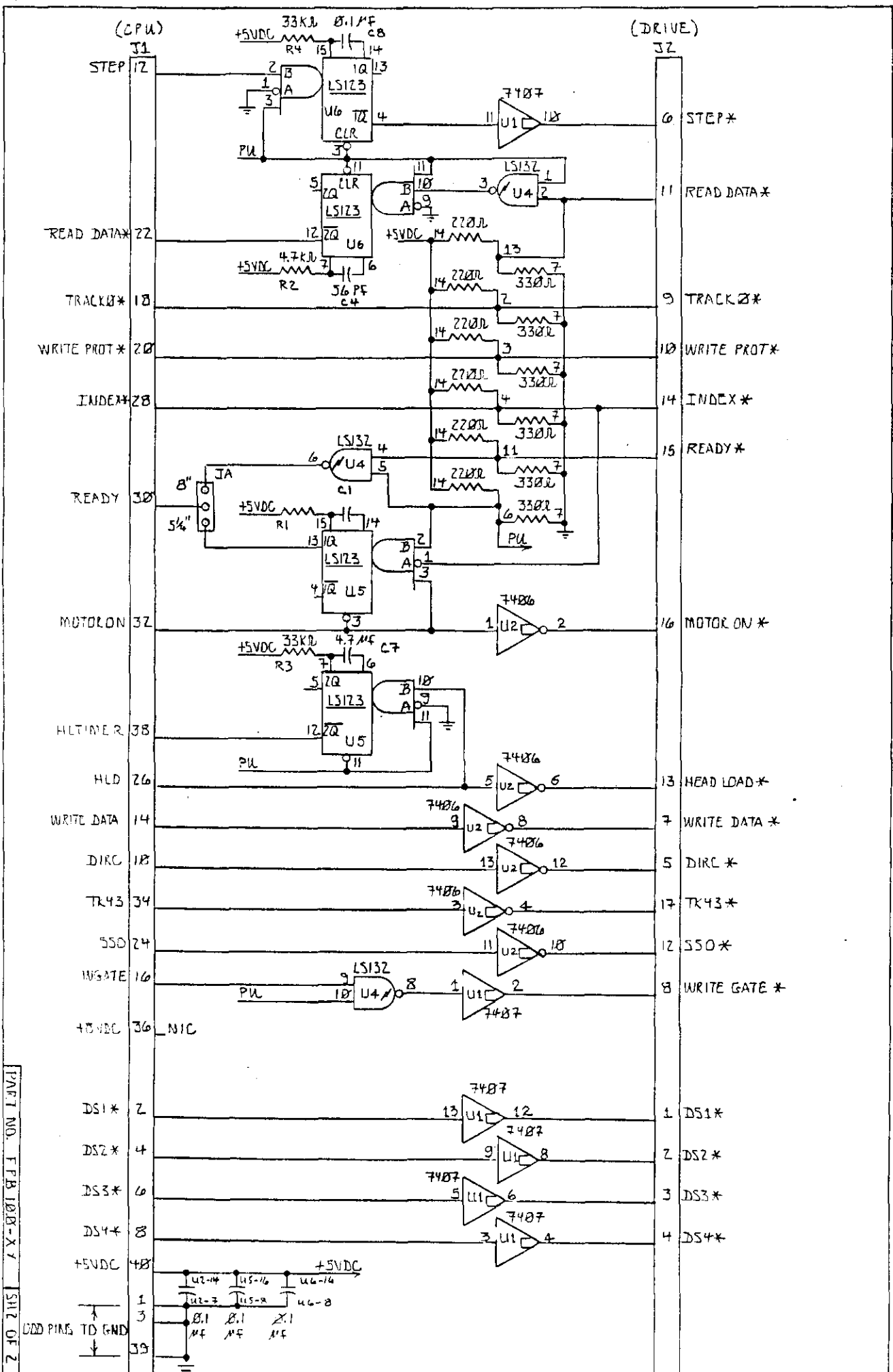
NOTE :

X	Y	
1	1	8" / HEADER PLUG ADAPTER
1	2	8" / EDGE CNCT ADAPTER
2	1	5 1/4" / HEADER PLUG ADAPTER
2	2	5 1/4" / EDGE CNCT ADAPTER



ALL ODD PINS GND;
EVEN PINS NOT LISTED
ARE OPEN

DESIGNED:	
REV: A	
	SCHEMATIC/LOGIC DIAGRAM FOR FLOPPY DISK CONTROLLER PERSONALITY BOARD/8"-5 1/4" ADAPT
	PART NO. FPS-100-XY
	SH 1 OF



PART NO. FFB108-X-1 SHEET OF 2