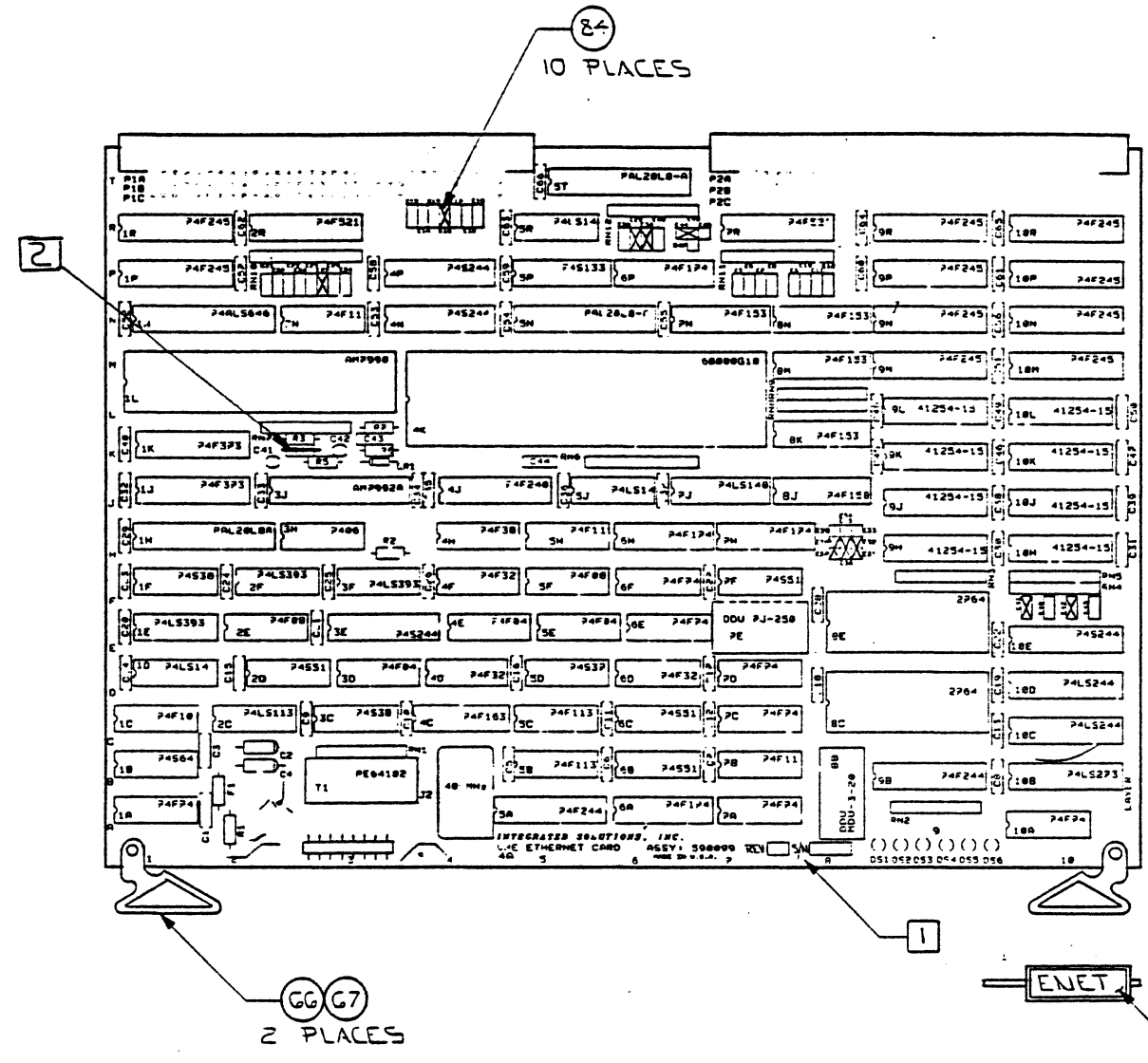


THIS DRAWING AND SPECIFICATIONS, HEREIN, ARE THE CONFIDENTIAL PROPERTY OF INTEGRATED SOLUTIONS INCORPORATED AND SHALL NOT BE REPRODUCED OR COPIED OR DISCLOSED IN WHOLE OR PART WITHOUT WRITTEN PERMISSION.

REVISIONS					
ZONE	REV.	ECN	DESCRIPTION	DATE	APPROVED
	A1	616	PRE-PRODUCTION RELEASE	1-12-86	JJ
	A		PRODUCTION RELEASE	2-10-87	



- NOTES:
- MARK REV AND S/N APPROX WHERE SHOWN.
  - USING 30AWG INSULATED WIRE, INSTALL JUMPER ACROSS PADS OF R4.

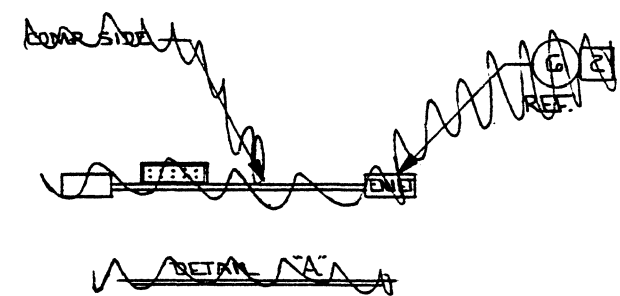
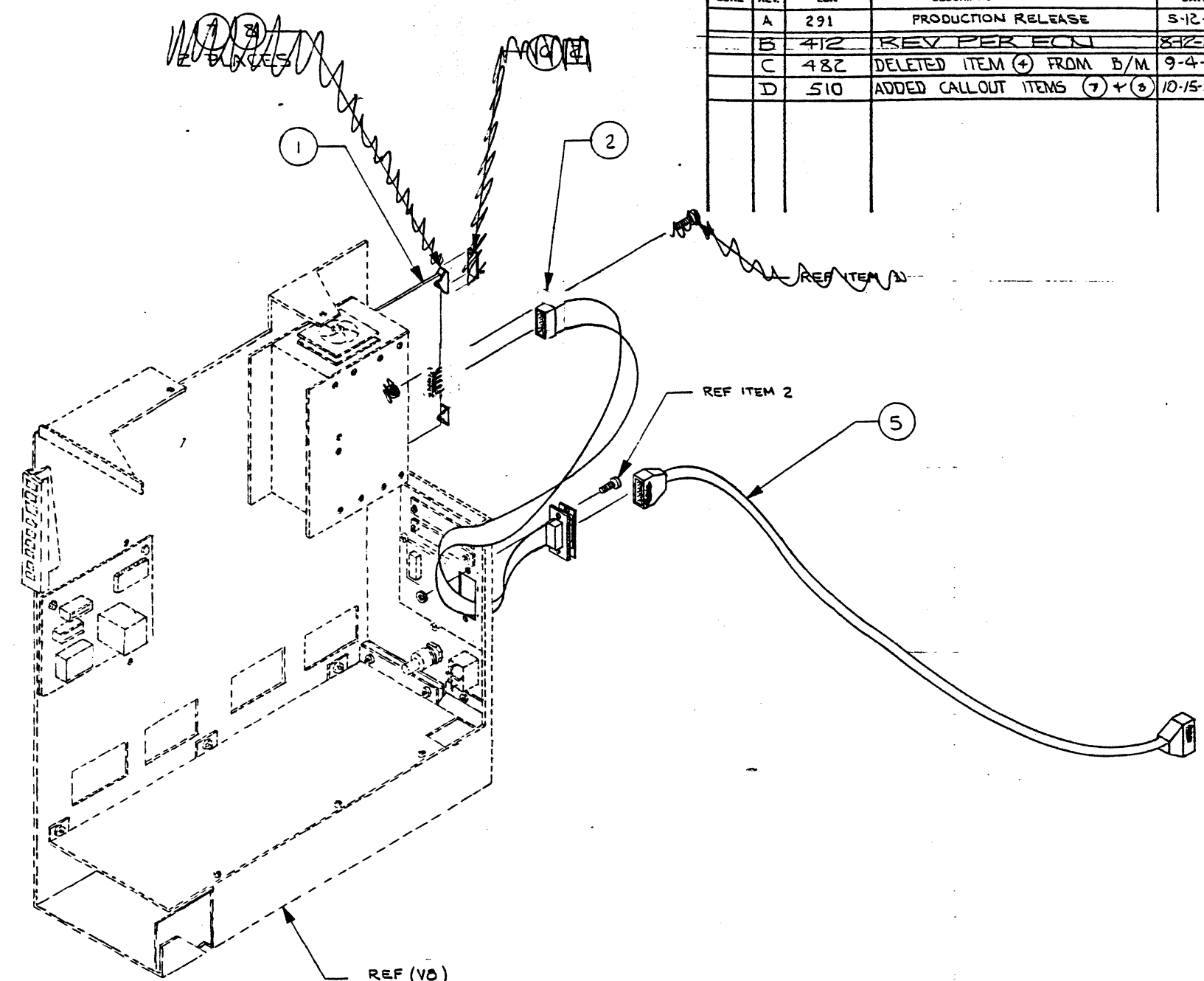
ECN 603  
PAGE 24 of     

ITEM NO.	QTY REQD	FSCM NO.	PART OR IDENTIFYING NO.	NOMENCLATURE OR DESCRIPTION	MATERIAL SPECIFICATION
PARTS LIST					
UNLESS OTHERWISE SPECIFIED DIMENSIONS ARE IN INCHES TOLERANCES ARE: FRACTIONS DECIMALS ANGLES			CONTRACT NO.		
MATERIAL			APPROVALS		
FINISH			DATE		
NEXT ASSY			DRAWN		
USED ON			ENG		
APPLICATION			ME		
DO NOT SCALE DRAWING			QA		
INTEGRATED SOLUTIONS INC. San Jose, California		TITLE		REV	
PWB ASSY, VME ETHERNET		SIZE / FSCM NO.		DWG NO.	
C		590099		REV	
SCALE FULL		SHEET		1 OF 1	

THIS DRAWING AND SPECIFICATIONS, HEREIN, ARE THE CONFIDENTIAL PROPERTY OF INTEGRATED SOLUTIONS INCORPORATED AND SHALL NOT BE REPRODUCED OR COPIED OR DISCLOSED IN WHOLE OR PART WITHOUT WRITTEN PERMISSION.

DWG. NO. 640010-01

REVISIONS					
ZONE	REV.	ECN	DESCRIPTION	DATE	APPROVED
	A	291	PRODUCTION RELEASE	5-12-86	[Signature]
	B	412	REV PER ECN	8/2/86	[Signature]
	C	482	DELETED ITEM (+) FROM B/M	9-4-86	[Signature]
	D	510	ADDED CALLOUT ITEMS (+) (+)	10-15-86	[Signature]



NOTES:

- TO SHIP MANUALS ITEM 3 & 4
- SHIP WITH S/W & MANUAL SET IF OPTION IS BUILT INTO FINAL CONFIGURATION
- PLACE MANUAL IN POLY BAG & TAPE TO ETHERNET CONTROLLER WHEN SHIPPING AS A FIELD INSTALLED OPTION.
- PLACE LABEL ITEM 6 ON R.N. CARD EXTRACTOR AS SHOWN.

ECN 683  
PAGE 25 of     

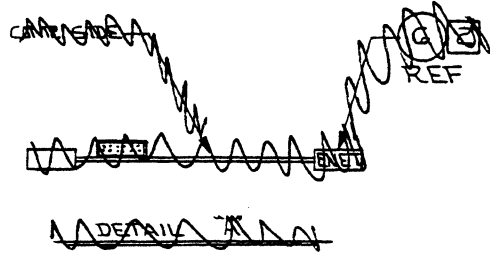
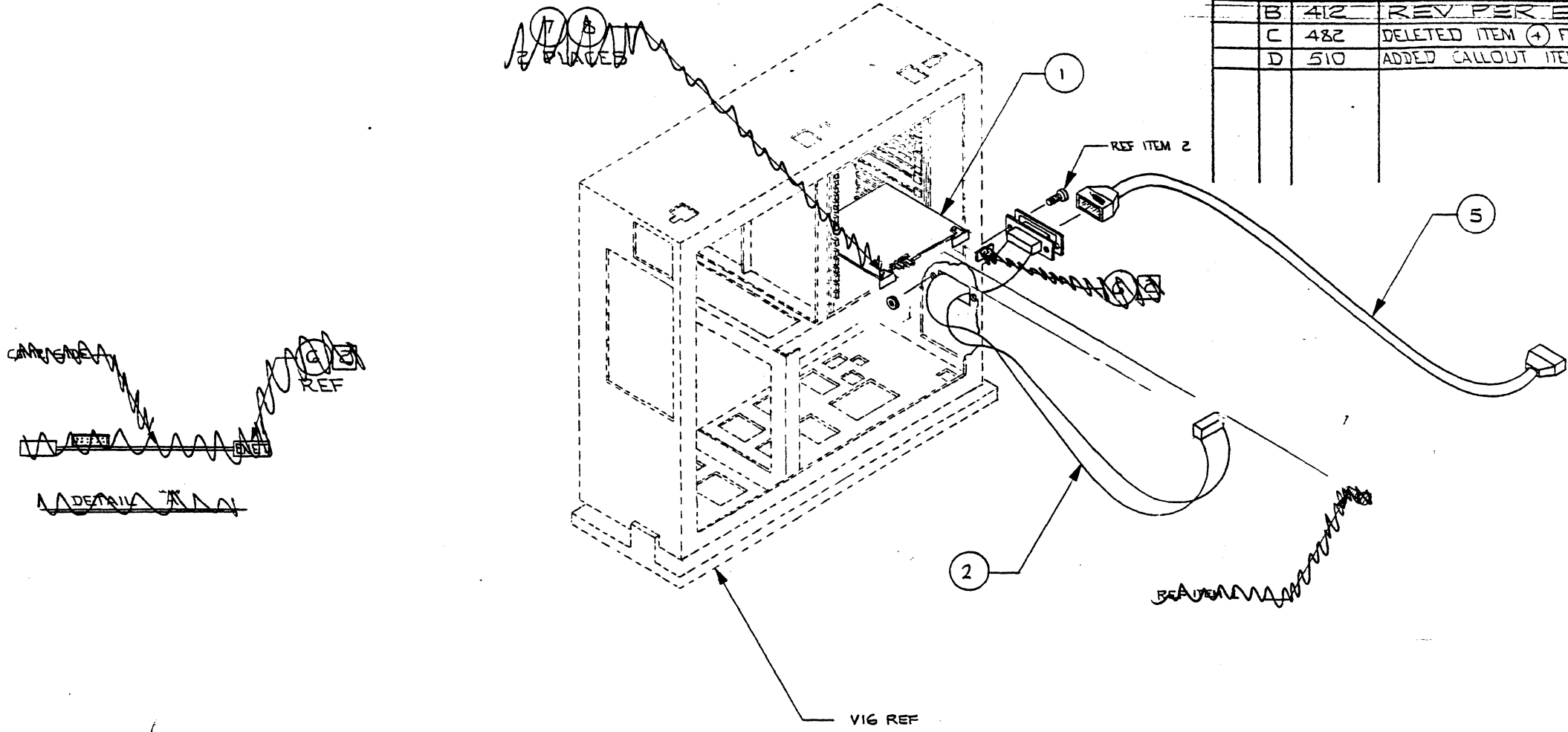
ITEM NO.	QTY REQD	P/CSM NO.	PART OR IDENTIFYING NO.	NOMENCLATURE OR DESCRIPTION	MATERIAL SPECIFICATION
PARTS LIST					
UNLESS OTHERWISE SPECIFIED DIMENSIONS ARE IN INCHES TOLERANCES ARE: FRACTIONS DECIMALS ANGLES			CONTRACT NO.		<b>Integrated Solutions Inc.</b> San Jose, California TITLE <b>OPTION ETHERNET, V8</b>
MATERIAL			APPROVALS	DATE	
FINISH			DRAWN A.GHAJANI	5-86	
NEXT ASSY			USED ON	ENG [Signature]	5-86
APPLICATION			DO NOT SCALE DRAWING	ME	
			QA	SIZE FSCM NO.	DWG. NO. 640010-01 REV. D
				SCALE NONE	SHEET 1 OF 1

DWG. NO. 640010-01

THIS DRAWING AND SPECIFICATIONS, HEREIN, ARE THE CONFIDENTIAL PROPERTY OF INTEGRATED SOLUTIONS INCORPORATED AND SHALL NOT BE REPRODUCED OR COPIED OR DISCLOSED IN WHOLE OR PART WITHOUT WRITTEN PERMISSION.

DWG. NO. 640010-02

REVISIONS					
ZONE	REV.	ECN	DESCRIPTION	DATE	APPROVED
	A	291	PRODUCTION RELEASE	5-12-86	[Signature]
	B	412	REV PER ECN	3-12-86	[Signature]
	C	482	DELETED ITEM (+) FROM B/M	9-4-86	[Signature]
	D	510	ADDED CALLOUT ITEMS (7) + (8)	10-15-86	[Signature]



NOTES:

- 1. TO SHIP MANUALS ITEM 3 & 4
- A. SHIP WITH S/W & MANUAL SET IF OPTION IS BUILT INTO FINAL CONFIGURATION.
- B. PLACE MANUALS IN POLY BAG & TAPE TO ETHERNET CONTROLLER WHEN SHIPPING AS A FIELD INSTALLED OPTION.

PLACE LABEL ITEM (C) ON R.A. CARD AS SHOWN.

ECN 683  
PAGE 26 of     

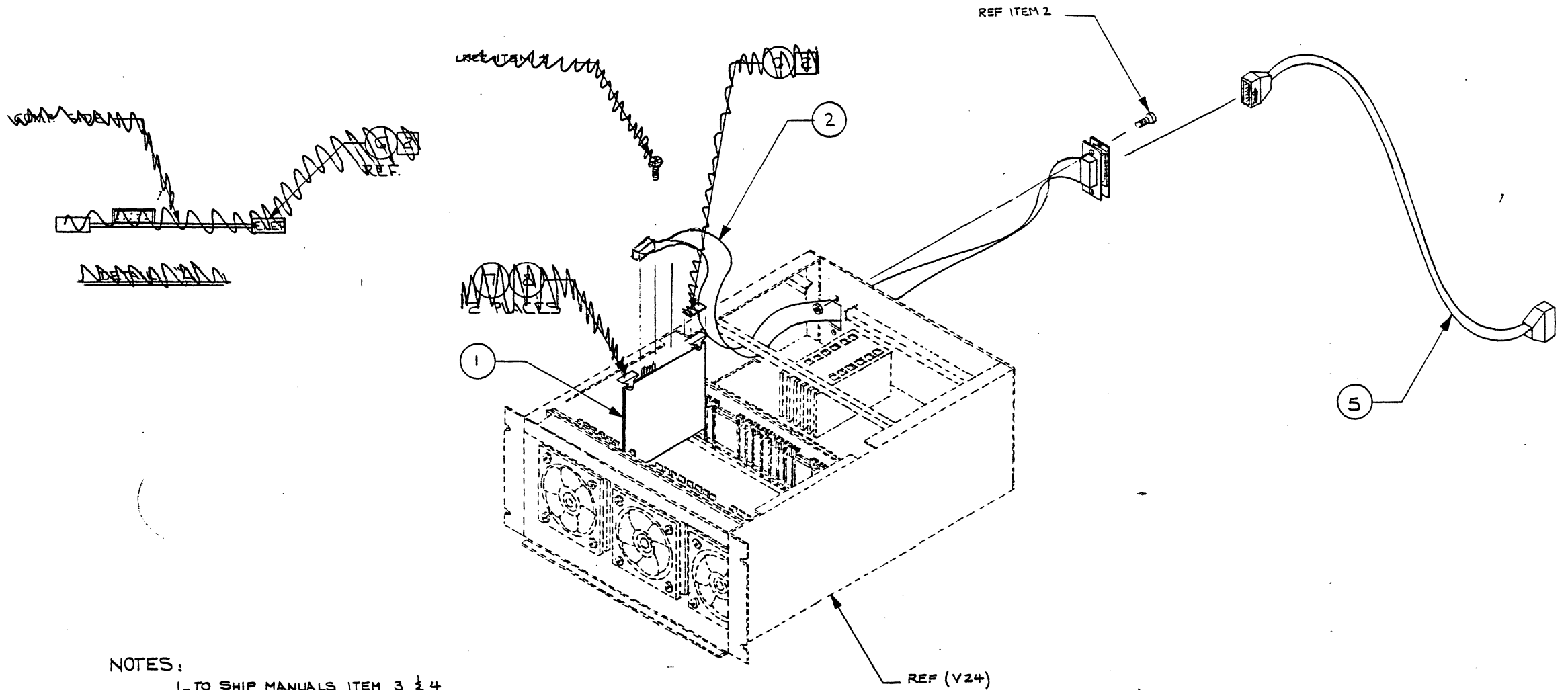
ITEM NO.	QTY REQD	PESH NO.	PART OR IDENTIFYING NO.	NOMENCLATURE OR DESCRIPTION	MATERIAL SPECIFICATION
PARTS LIST					
UNLESS OTHERWISE SPECIFIED DIMENSIONS ARE IN INCHES			CONTRACT NO.		
TOLERANCES ARE:			APPROVALS		
FRACTIONS DECIMALS ANGLES			DATE		
± .XX ± °			DRAWN [Signature] 5-86		
± .XX ± °			ENG [Signature] 5-86		
± .XX ± °			ME		
± .XX ± °			QA		
MATERIAL		INTEGRATED SOLUTIONS INC. San Jose, California			
FINISH		TITLE OPTION ETHERNET VIG			
NEXT ASSY		USED ON		SIZE FSCM NO. DWG. NO. REV.	
				C 640010-02 D	
APPLICATION		DO NOT SCALE DRAWING		SCALE 1/4" = 1" SHEET 1 OF 1	

DWG. NO. 640010-02

THIS DRAWING AND SPECIFICATIONS, HEREIN, ARE THE CONFIDENTIAL PROPERTY OF INTEGRATED SOLUTIONS INCORPORATED AND SHALL NOT BE REPRODUCED OR COPIED OR DISCLOSED IN WHOLE OR PART WITHOUT WRITTEN PERMISSION.

DWG. NO. 640010-03

REVISIONS					
ZONE	REV.	ECN	DESCRIPTION	DATE	APPROVED
	A	271	PRODUCTION RELEASE	5-12-86	[Signature]
	B	412	REV PER ECN	3-12-86	[Signature]
	C	482	DELETED ITEM (4) FROM B/M	9-4-86	[Signature]
	D	510	ADDED CALLOUTS, ITEMS (7)(8)	10-15-86	[Signature]



NOTES:

- 1. TO SHIP MANUALS ITEM 3 & 4
- A. SHIP WITH S/W & MANUAL SET IF OPTION IS BUILT INTO FINAL CONFIGURATION.
- B. PLACE MANUALS IN POLY BAG & TAPE TO ETHERNET CONTROLLER WHEN SHIPPING AS A FIELD INSTALLED OPTION.

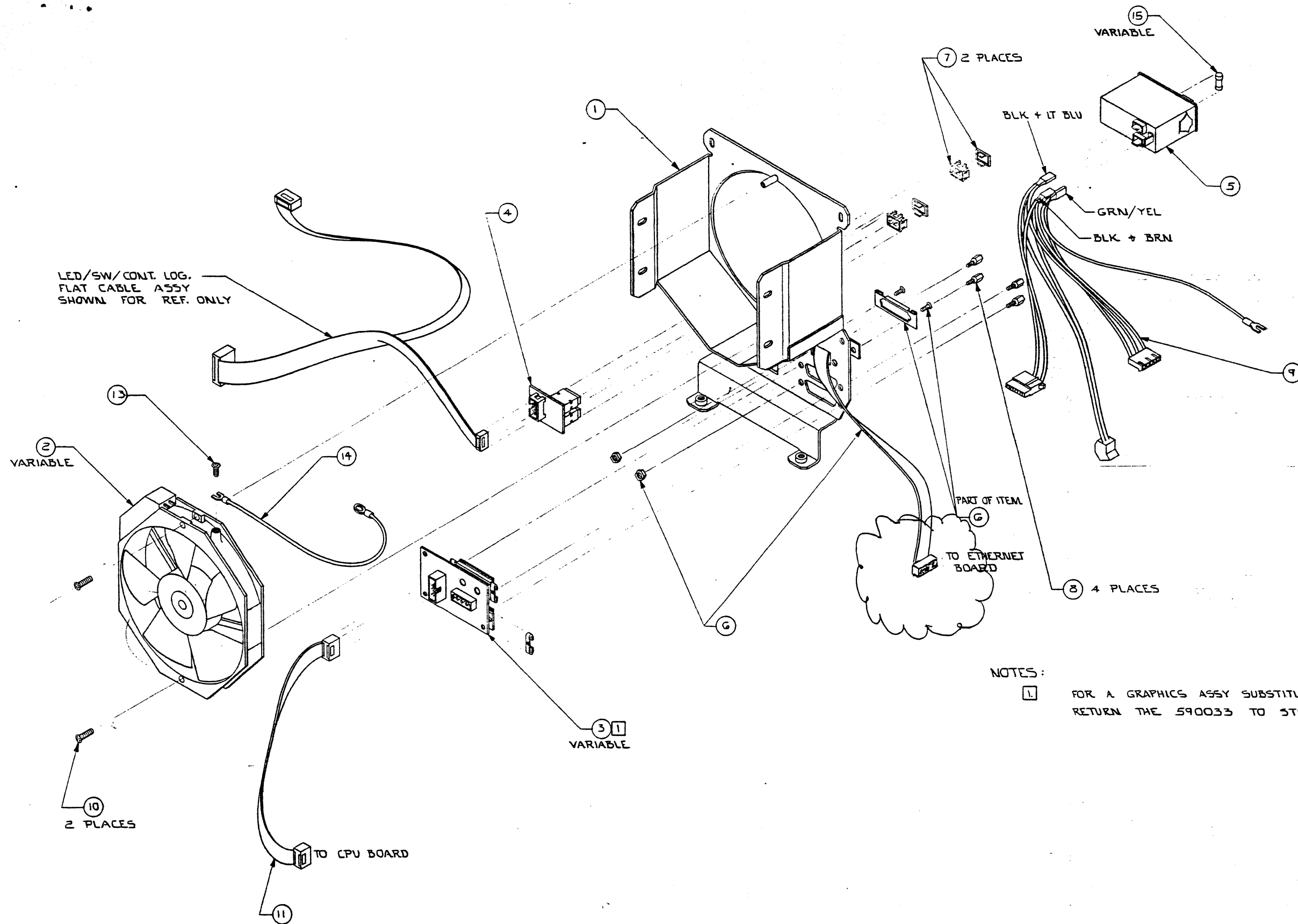
PLACE LABEL ITEM 6 ON R.H. CASE EXTRACTOR AS SHOWN.

ECN 683  
PAGE 27 of     

ITEM NO.	QTY REQD.	PCSN NO.	PART OR IDENTIFYING NO.	NOMENCLATURE OR DESCRIPTION	MATERIAL SPECIFICATION
UNLESS OTHERWISE SPECIFIED DIMENSIONS ARE IN INCHES TOLERANCES ARE: FRACTIONS DECIMALS ANGLES ± .010 ± .005 ± .010					
MATERIAL			CONTRACT NO.		
FINISH			APPROVALS DATE		
NEXT ASSY			DRAWN <u>AGHAYANI</u> <u>5-86</u>		
USED ON			ENG <u>JG</u> <u>6-86</u>		
APPLICATION			ME		
DO NOT SCALE DRAWING			QA		
INTEGRATED SOLUTIONS INC.				TITLE	
San Jose, California				OPTION, ETHERNET, V 24	
SIZE		PCSN NO.		DWG. NO.	
C				640010-03	
SCALE NONE				REV. D	
SHEET				1 OF 1	

DWG. NO. 640010-03

REVISIONS				
REV	ECN	DESCRIPTIONS	DATE	APPVD
		SEE SHEET ONE		



NOTES:  
 [1] FOR A GRAPHICS ASSY SUBSTITUTE ITEM (3) P/N 590033 WITH A 590043 AND RETURN THE 590033 TO STOCK.

ECN 683  
 PAGE 28 of     

-02	-220 V
-01	-110 V
DASH NO.	DESCRIPTION

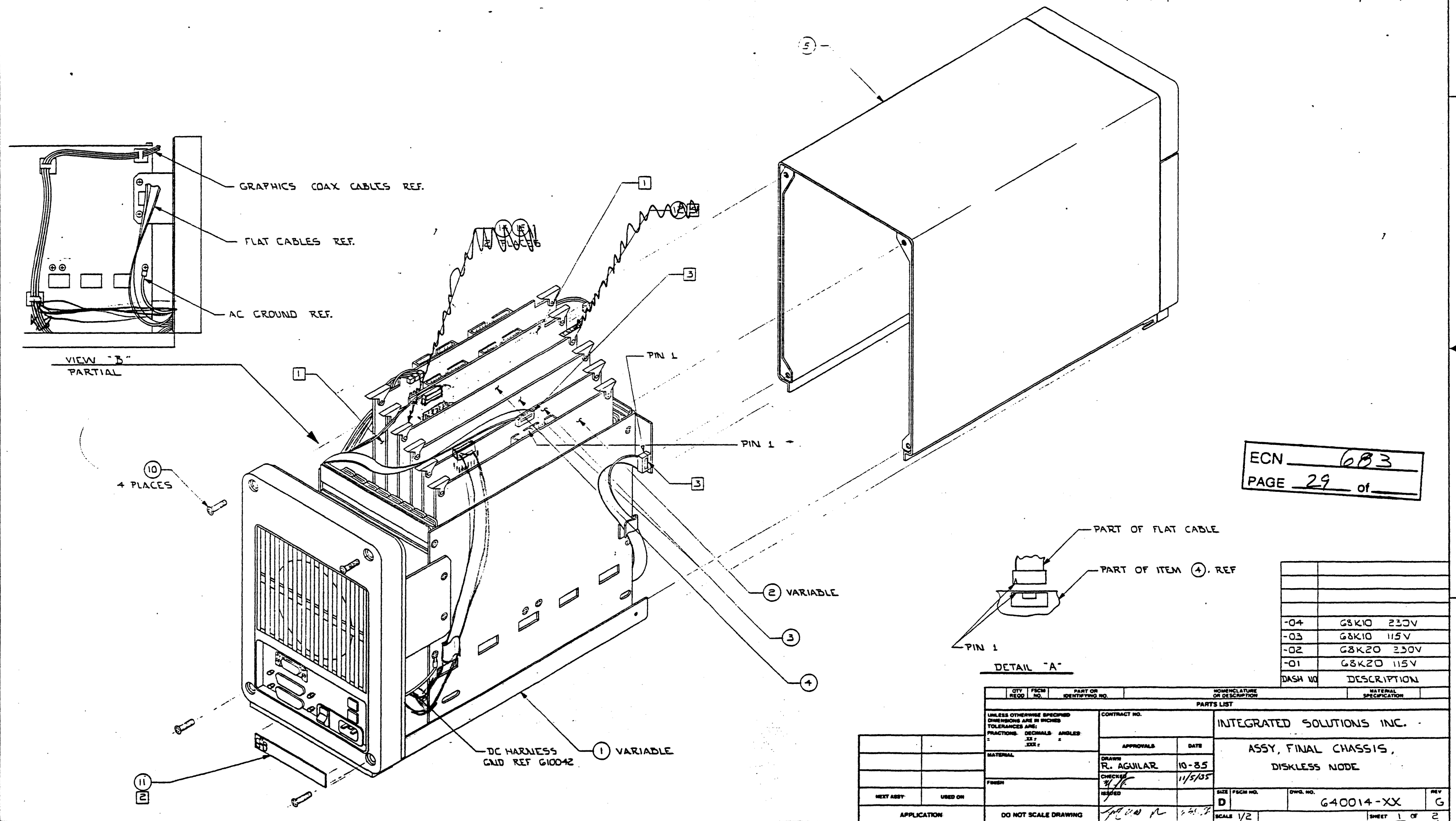
*DETAIL*

INTEGRATED SOLUTIONS INC.		
SCALE: 1/2	APPROVED BY: <i>[Signature]</i>	DRAWN BY: RAGULAR
SHEET 2 of 2	DATE: 10/85	REV: A
TITLE: REAR PANEL ASSY. DISKLESS NODE		DWG. NO: 620053

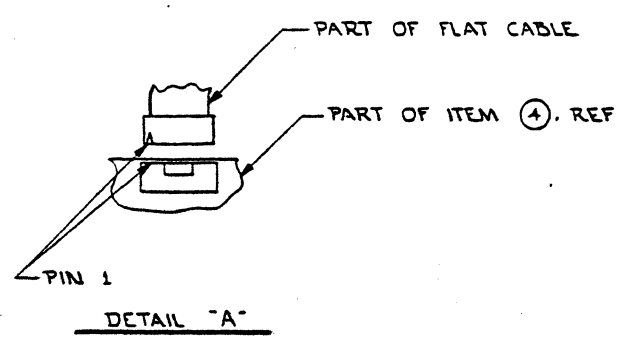
NOTES:

- 1. SHOWN FOR REFERENCE ONLY.
- 2. CENTER LABEL BETWEEN HOLES AND BELOW SWITCH.
- 3. USE DETAIL 'A' AS CONNECTOR MATING GUIDE.
- 4. ROUTE CABLES AS SHOWN IN VIEW 'B'.
- 5. PLACE LABEL ITEM (2) ON R.H. EXTERIOR CABO AS SHOWN.

REVISIONS					
ZONE	REV	ECN	DESCRIPTION	DATE	APPROVED
	A	140	PRODUCTION RELEASED -01 THRU -04	8-28-85	
	B	142	REV FOR EON	10-28-85	
	C	143	REV FOR EON	11-15-85	
	D	144	ADDED UNIX LICENSE ITEM (2)	11-28-85	
	E	149	REV CHANGE ONLY	12-18-85	
	F	150	REV M CHANGE	1-28-86	
	G	151	ADDED CALIB. ITEMS (2) + (2)	2-18-86	



ECN 683  
PAGE 29 of     

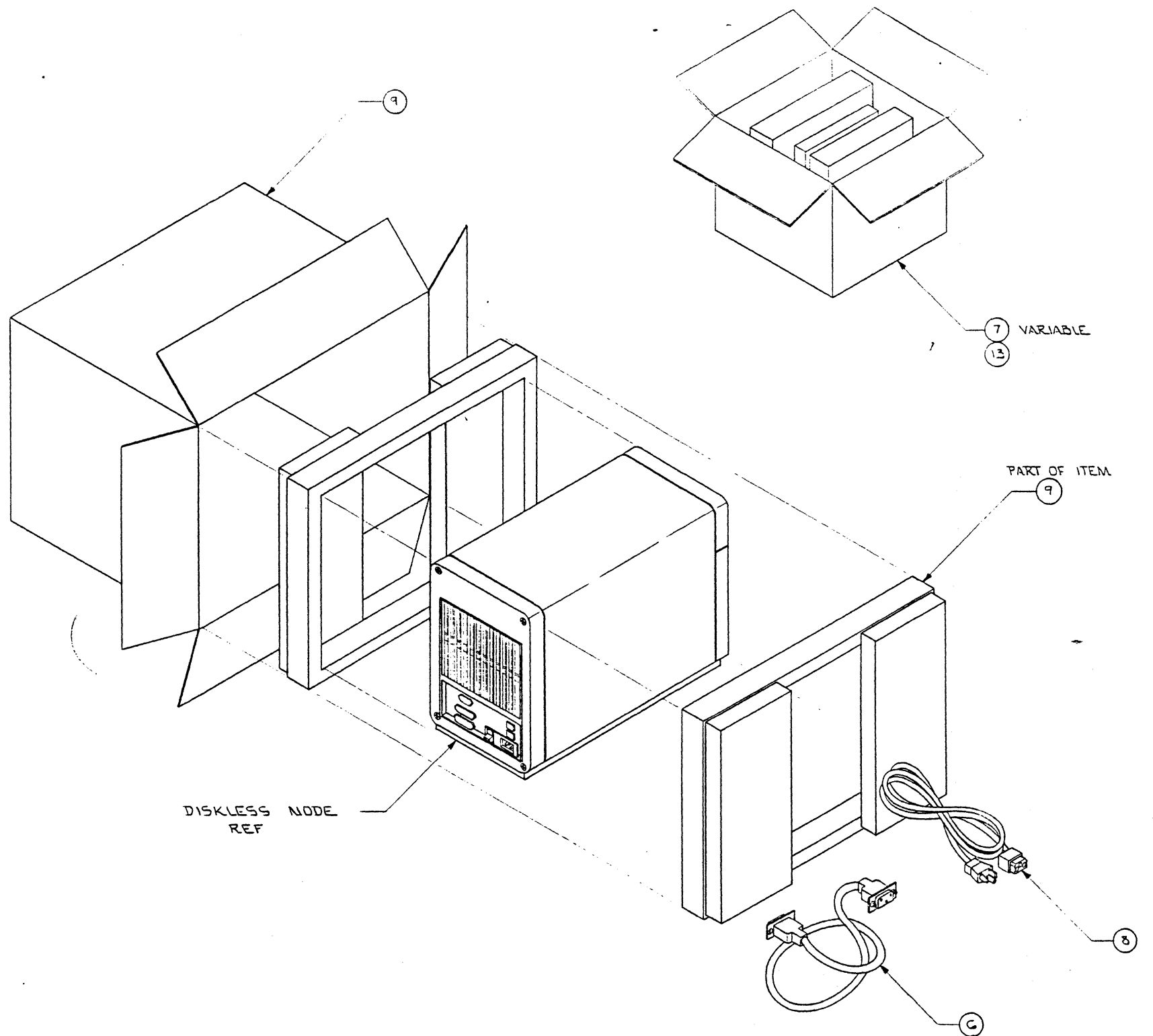


DASH NO	DESCRIPTION
-04	G8K10 230V
-03	G8K10 115V
-02	G8K20 230V
-01	G8K20 115V

QTY	FECH	PART OR IDENTIFYING NO.	NOMENCLATURE OR DESCRIPTION	MATERIAL SPECIFICATION
PARTS LIST				
UNLESS OTHERWISE SPECIFIED DIMENSIONS ARE IN INCHES TOLERANCES ARE: FRACTIONS DECIMALS ANGLES: .XX .XXX °			CONTRACT NO.	
MATERIAL			APPROVALS	DATE
FINISH			R. AGUILAR	10-85
NEXT ASSY			CHECKED	11/5/85
USED ON			REVISION	
APPLICATION			DO NOT SCALE DRAWING	SCALE 1/2
			INTEGRATED SOLUTIONS INC.	
			ASSY, FINAL CHASSIS, DISKLESS NODE	
SIZE	FECH NO.	DWG. NO.	REV	
D		G40014-XX	G	
			SHEET 1 OF 2	

THIS DRAWING AND SPECIFICATIONS, HEREIN, ARE THE CONFIDENTIAL PROPERTY OF INTEGRATED SOLUTIONS INCORPORATED AND SHALL NOT BE REPRODUCED, COPIED OR DISCLOSED IN WHOLE OR PART WITHOUT WRITTEN PERMISSION.

ZONE	REV.	ECN	DESCRIPTION	DATE	APPROVED
			SEC SHEET ENG		



ECN 603  
PAGE 30 of     

-04	G8K10	230V
-03	G8K10	115V
-02	G8K20	230V
-01	G8K20	115V
DASH NO.	DESCRIPTION	

ITEM NO.	QTY	FSCM RECD NO.	FSCM NO.	PART OR IDENTIFYING NO.	NOMENCLATURE OR DESCRIPTION	MATERIAL SPECIFICATION		
PARTS LIST								
UNLESS OTHERWISE SPECIFIED DIMENSIONS ARE IN INCHES TOLERANCES ARE: FRACTIONS: .XX ± DECIMALS: .XX ± ANGLES: ±			CONTRACT NO.		<b>Integrated Solutions Inc.</b> San Jose, California			
MATERIAL			APPROVALS	DATE			TITLE	
FINISH			DRAWN	5/86	ASSY, FINAL CHASSIS, DISKLESS NODE			
NEXT ASSY			ENG	5/86				
USED ON			ME		SIZE	FSCM NO.	DWG. NO.	REV
APPLICATION			QA		<b>D</b>		G40014-XX	<b>G</b>
DO NOT SCALE DRAWING			SCALE		NGNE	SHEET		2 OF 2

8      7      6      5      4      3      2      1

ON DIM

A