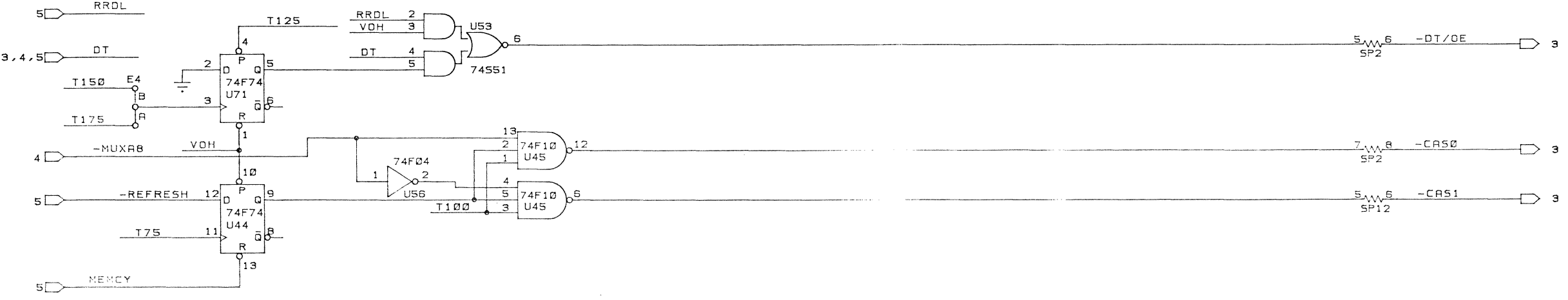
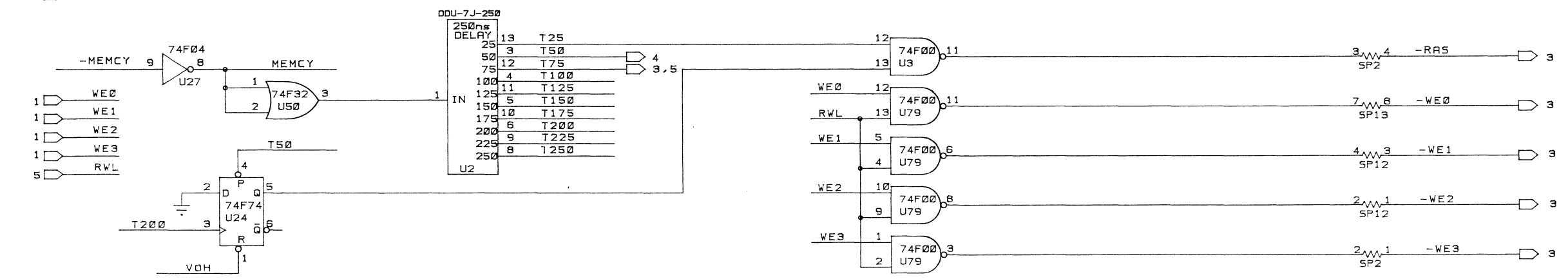
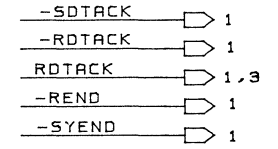
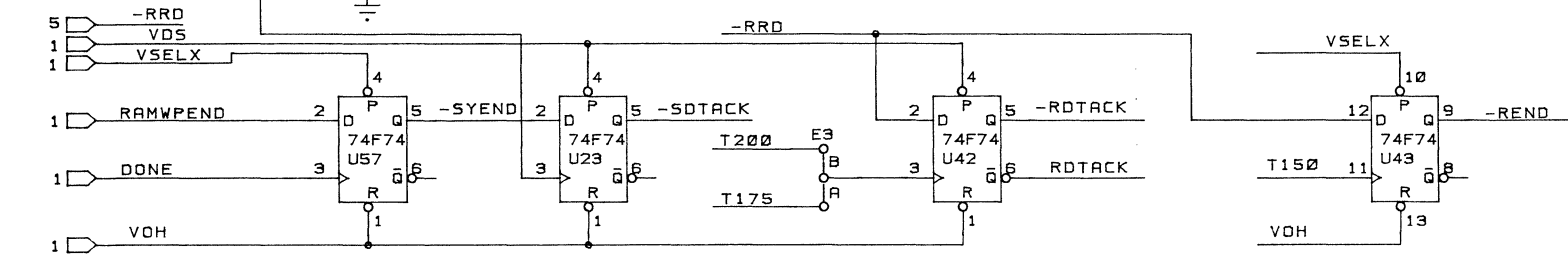
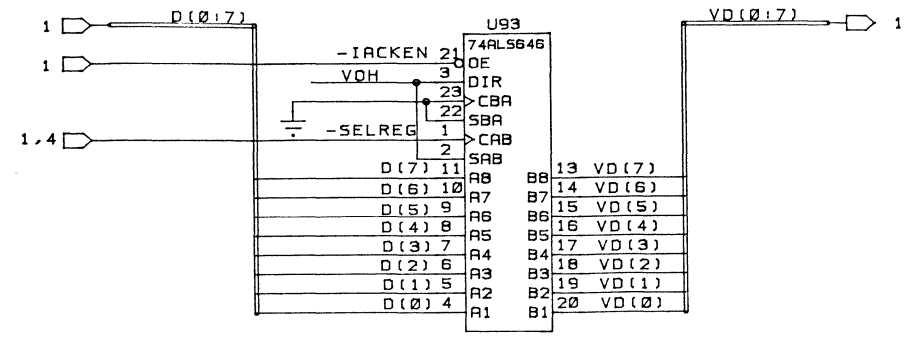
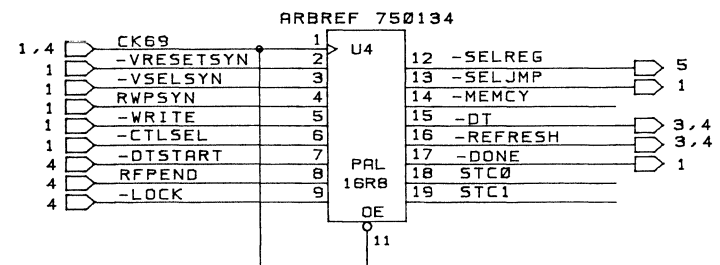
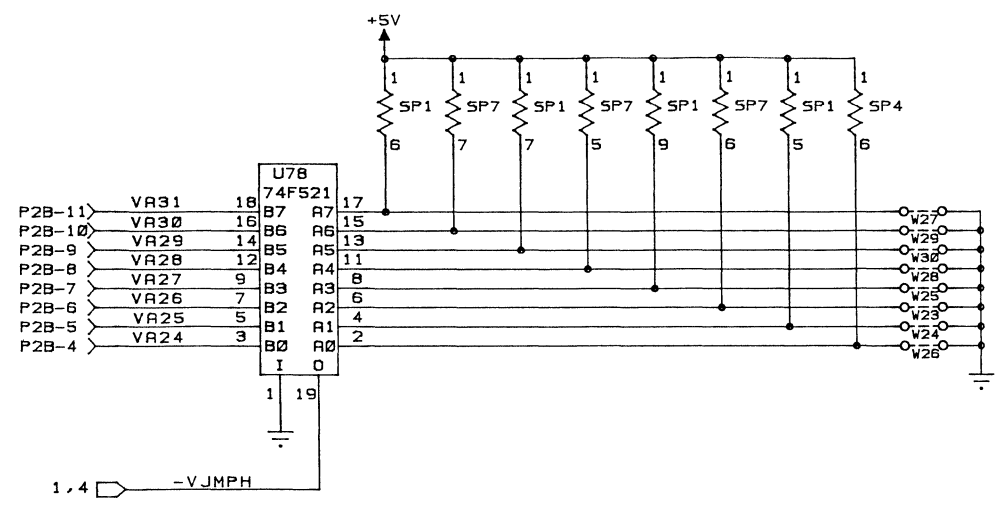


INTEGRATED SOLUTIONS, INC.  
 1140 RINGWOOD CT, SAN JOSE, CA 95131

LOGIC DIAGRAM,  
 MONOCHROME WORKSTATION

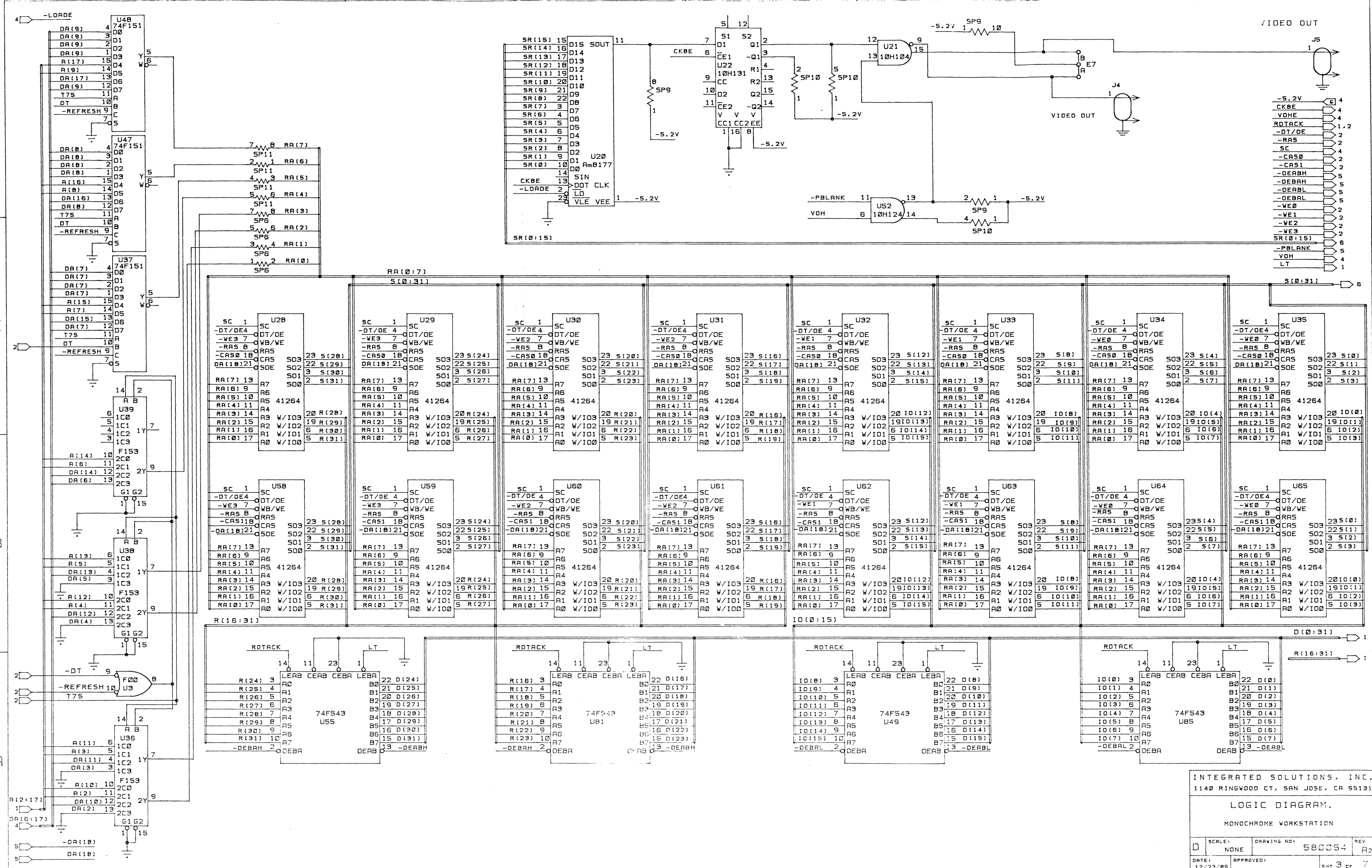
SCALE:	DRAWING NO:	REV:
NONE	580054	A2
DATE:	APPROVED:	5 of 7
12/23/85		



INTEGRATED SOLUTIONS, INC.  
1140 RINGWOOD CT, SAN JOSE, CA 95131

LOGIC DIAGRAM,  
MONOCHROME WORKSTATION

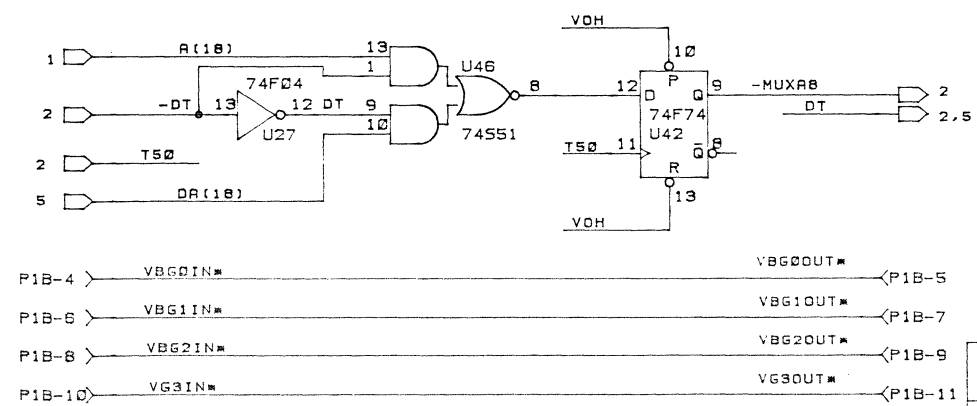
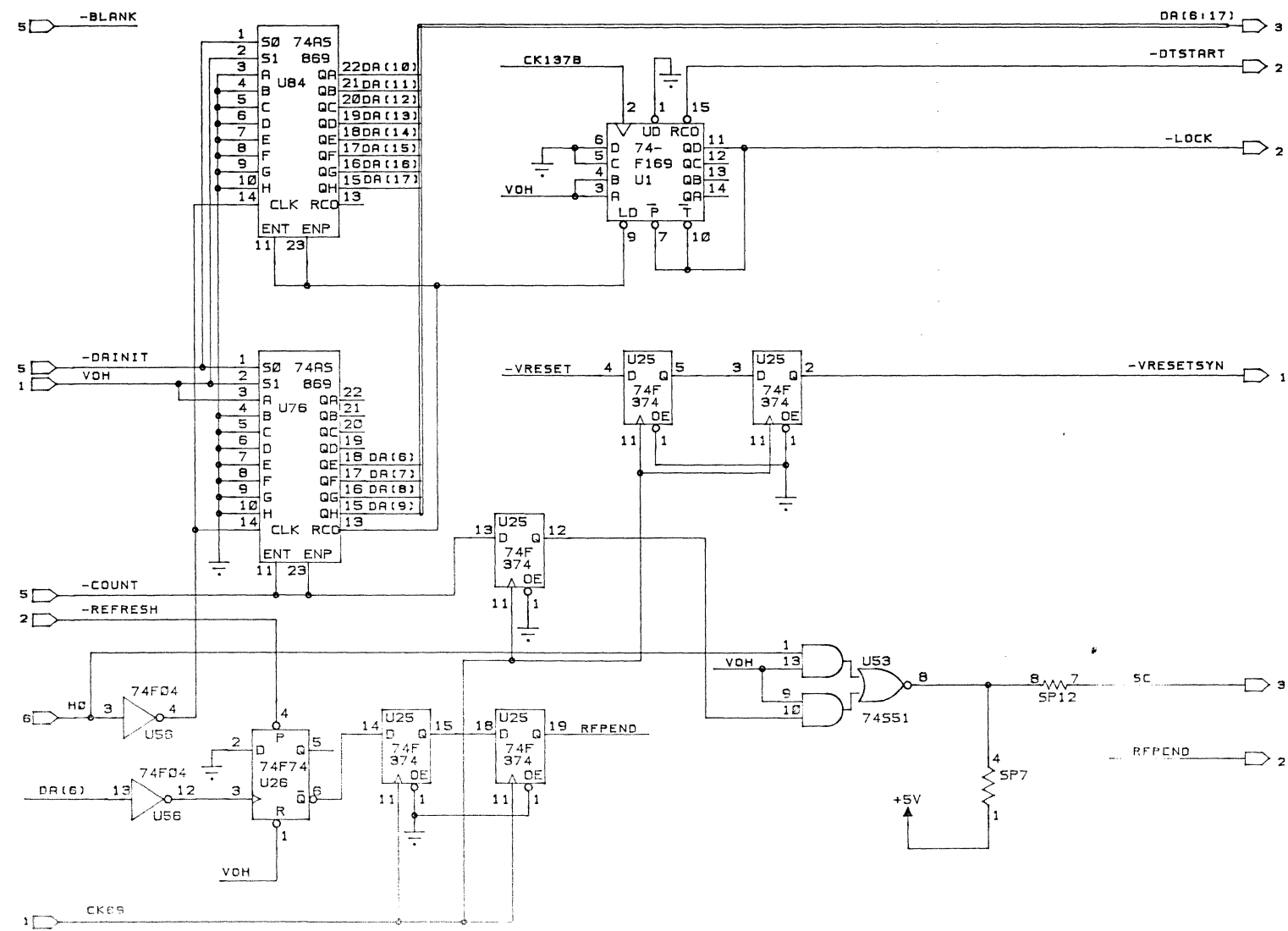
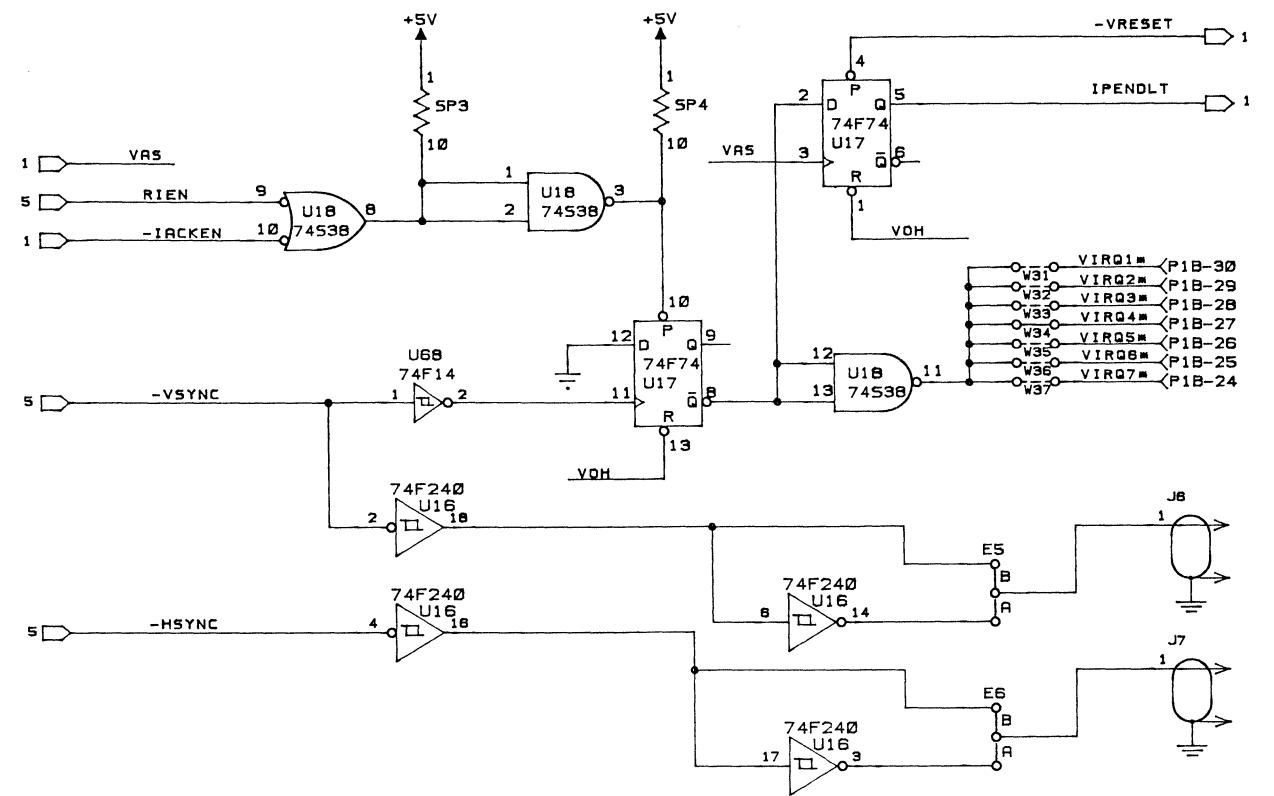
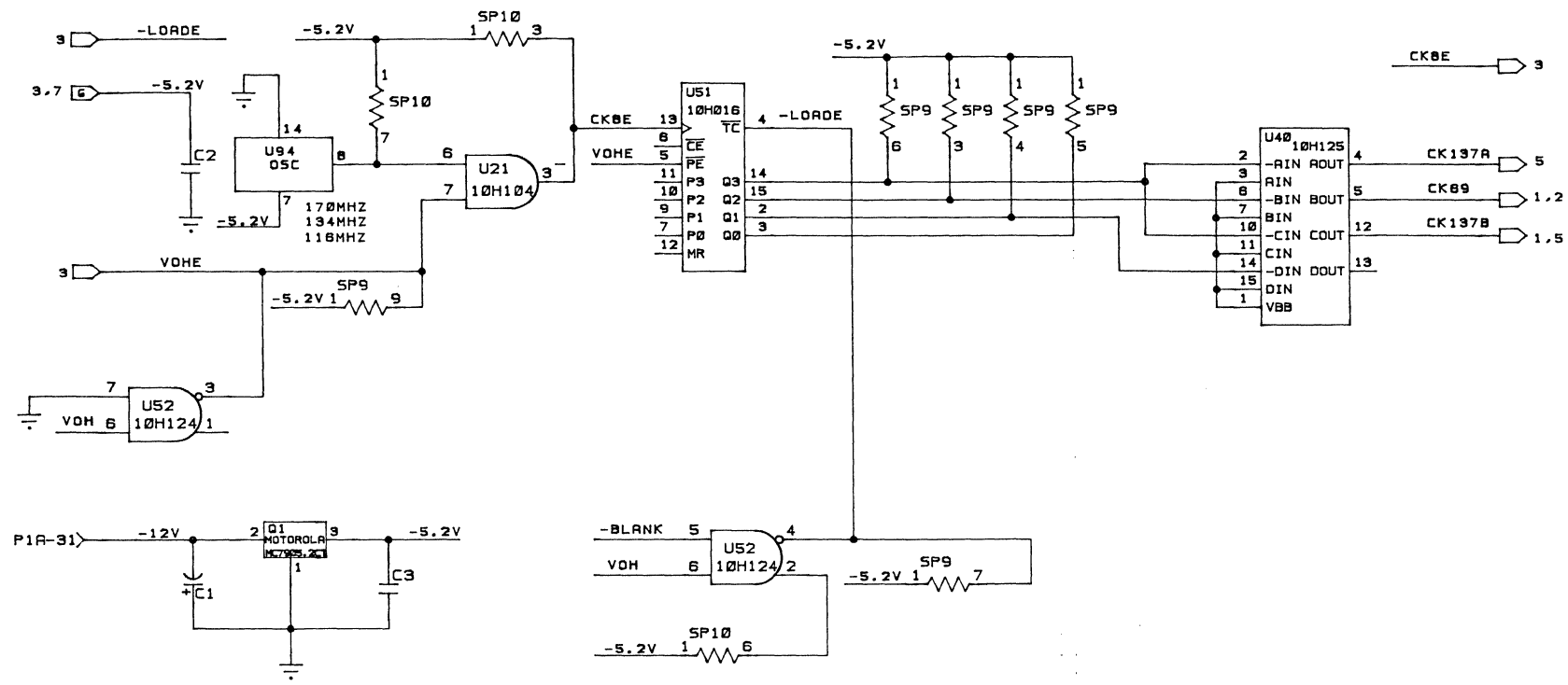
SCALE: NONE	DRAWING NO: 580054	REV: R2
DATE: 12/23/86	APPROVED:	SHT 2 OF 7



INTEGRATED SOLUTIONS, INC.  
 1140 RINGWOOD CT, SAN JOSE, CA 95131

LOGIC DIAGRAM,  
 MONOCHROME WORKSTATION

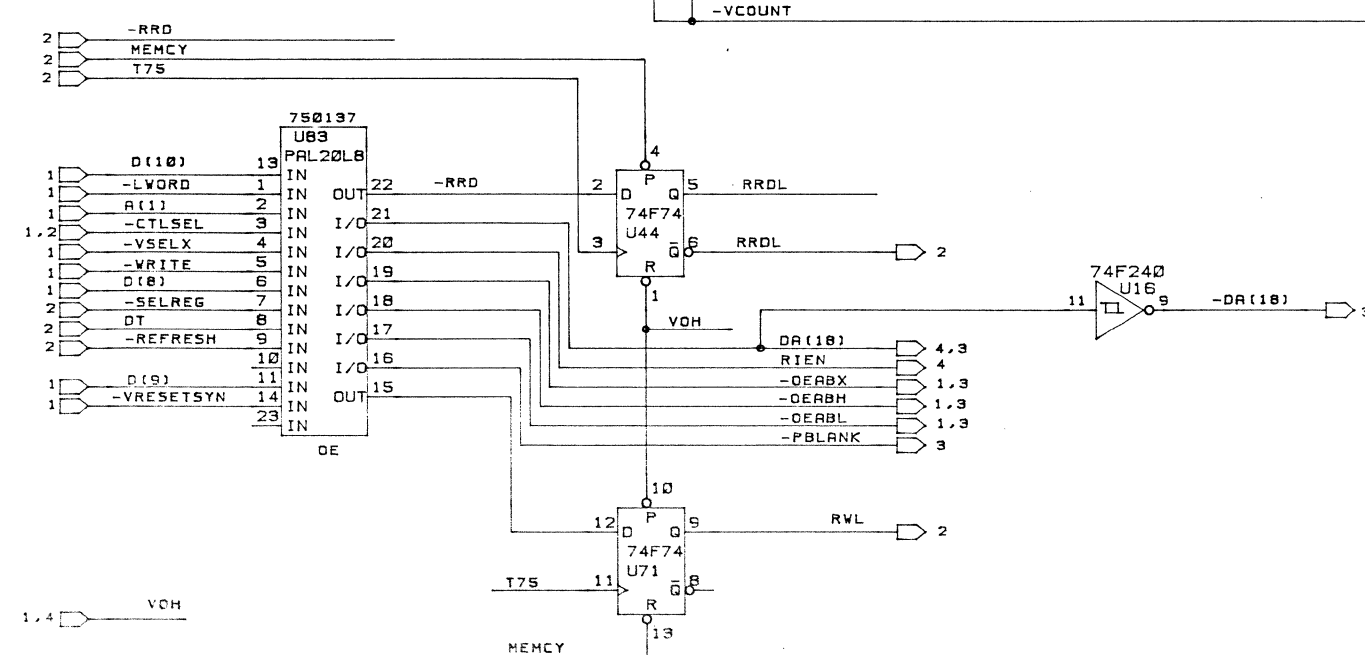
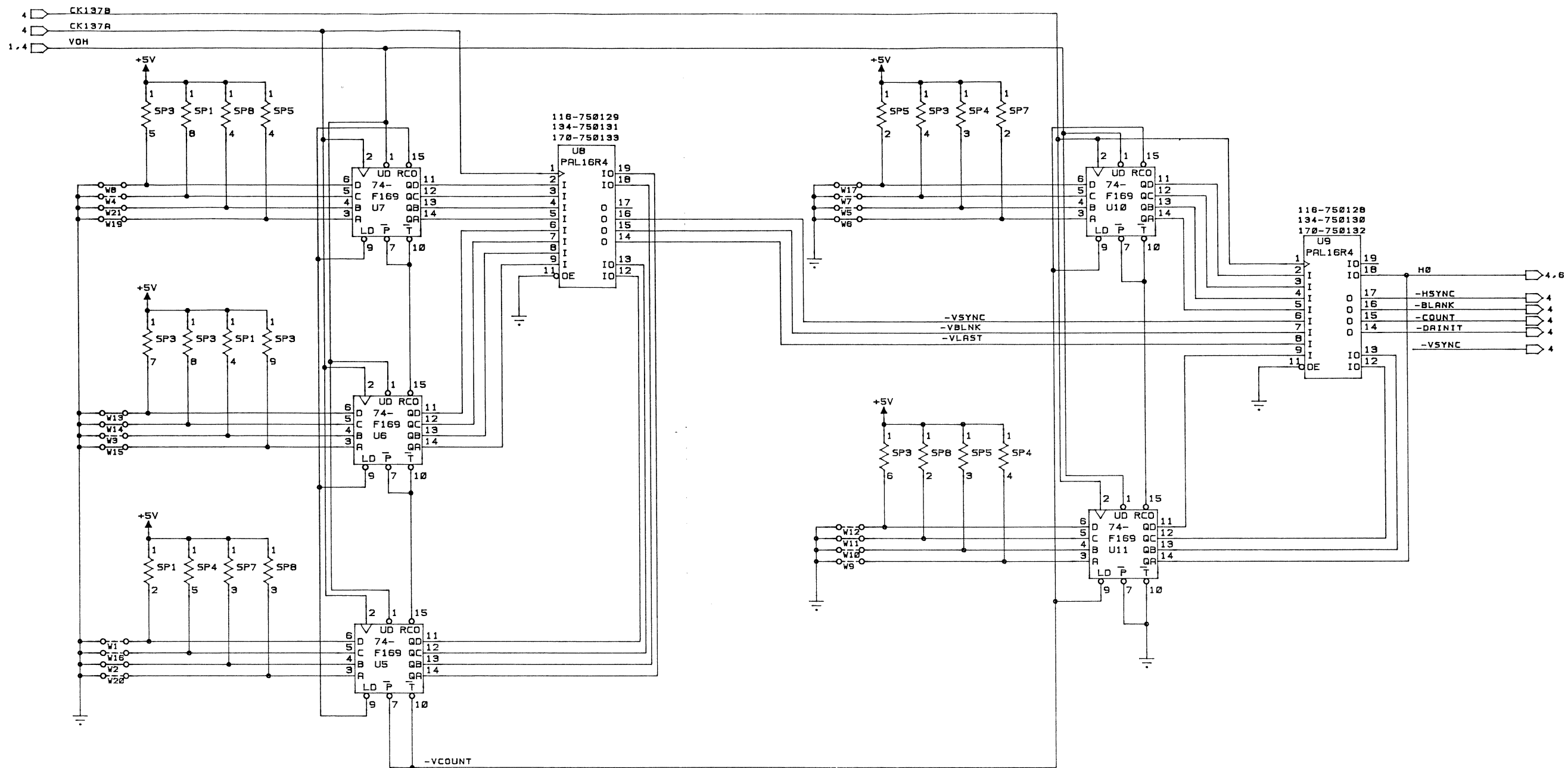
SCALE:	DRAWING NO:	REV
NONE	580054	A2
DATE:	APPROVED:	
12/23/86		54T 3 of 7



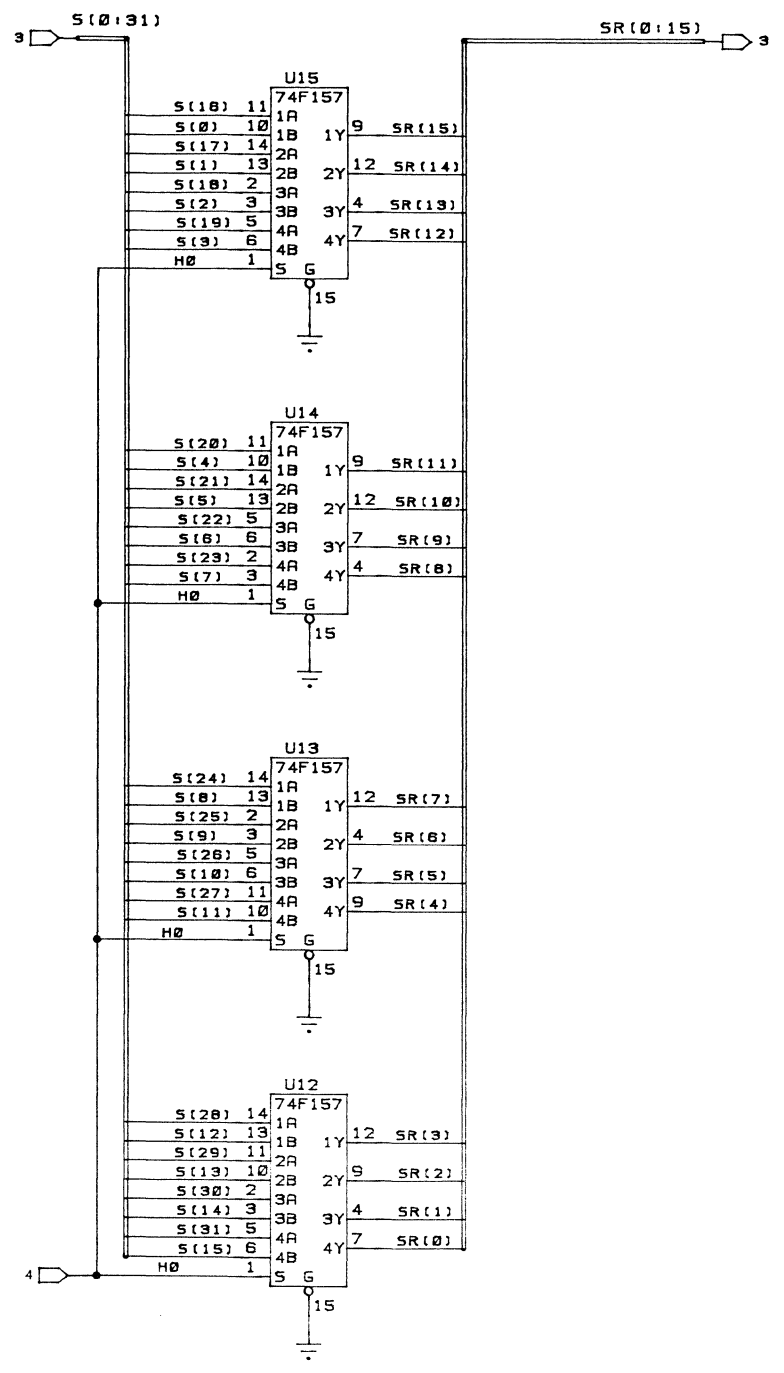
INTEGRATED SOLUTIONS, INC.  
 1140 RINGWOOD CT, SAN JOSE, CA 95131

LOGIC DIAGRAM,  
 MONOCHROME WORKSTATION

SCALE: NONE	DRAWING NO: 580054	REV: A2
DATE: 12/29/86	APPROVED:	SHT 4 of 7



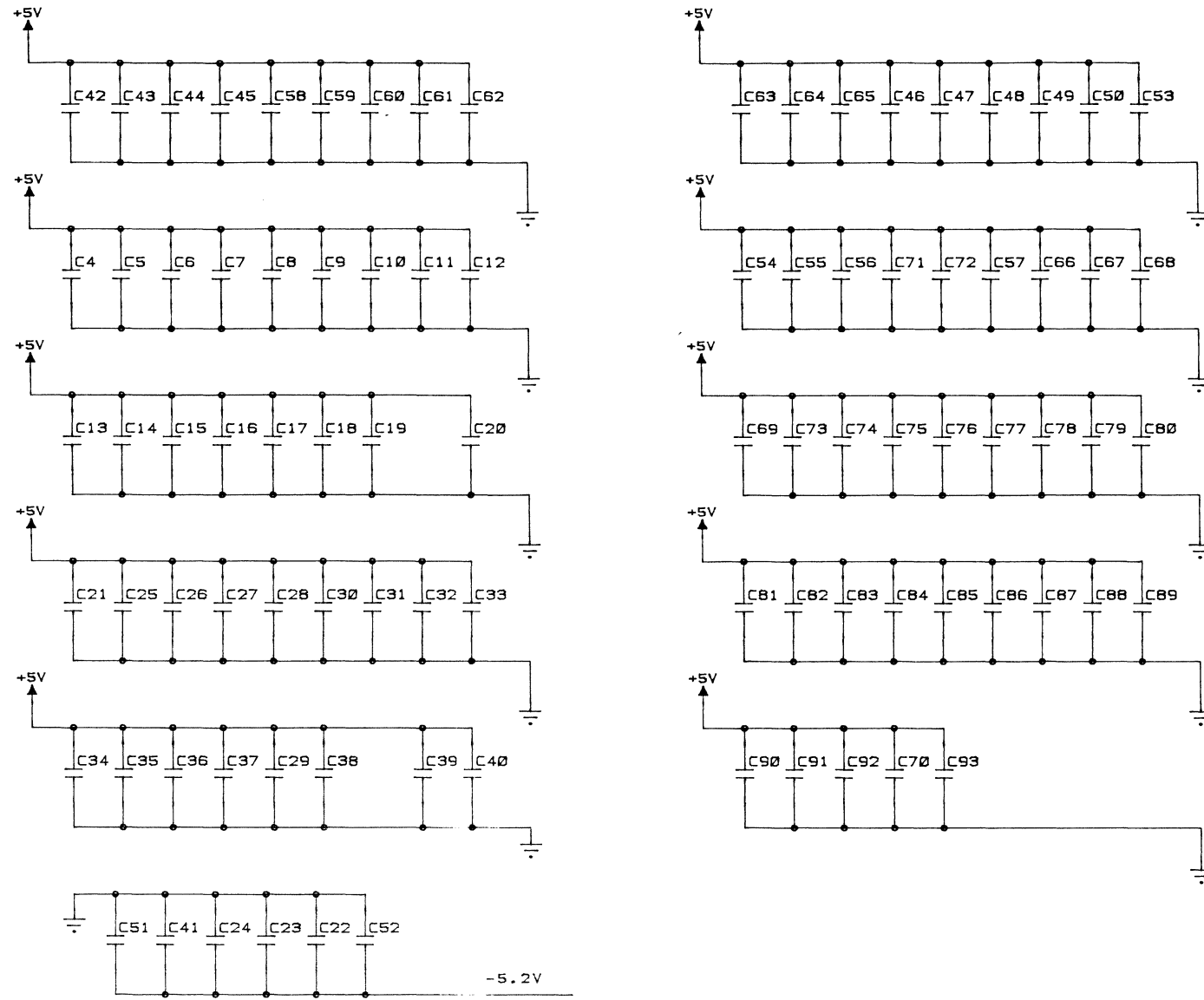
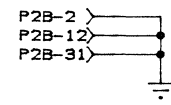
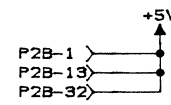
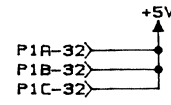
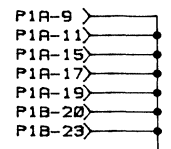
INTEGRATED SOLUTIONS, INC.			
1140 RINGWOOD CT, SAN JOSE, CA 95131			
LOGIC DIAGRAM,			
MONOCHROME WORKSTATION			
SCALE:	DRAWING NO:	REV:	
NONE	580054	A2	
DATE:	APPROVED:		
12/23/86		SHT 5 OF 7	



INTEGRATED SOLUTIONS, INC.			
1140 RINGWOOD CT. SAN JOSE, CA 95131			
LOGIC DIAGRAM,			
MONOCHROME WORKSTATION			
D	SCALE: NONE	DRAWING NO: 580054	REV: R2
DATE: 12/23/80	APPROVED:	SHT 6 OF 7	

8 | 7 | 6 | 5 | 4 | 3 | 2 | 1

P2A-1 } USER I/O (ENTIRE P2A, P2C UNUSED)  
 P2C-1 }



INTEGRATED SOLUTIONS, INC.			
1140 RINGWOOD CT, SAN JOSE, CA 95131			
LOGIC DIAGRAM,			
MONOCHROME WORKSTATION			
D	SCALE: NONE	DRAWING NO: 580054	REV: A2
DATE: 12/23/88	APPROVED:	SHT 7 OF 7	