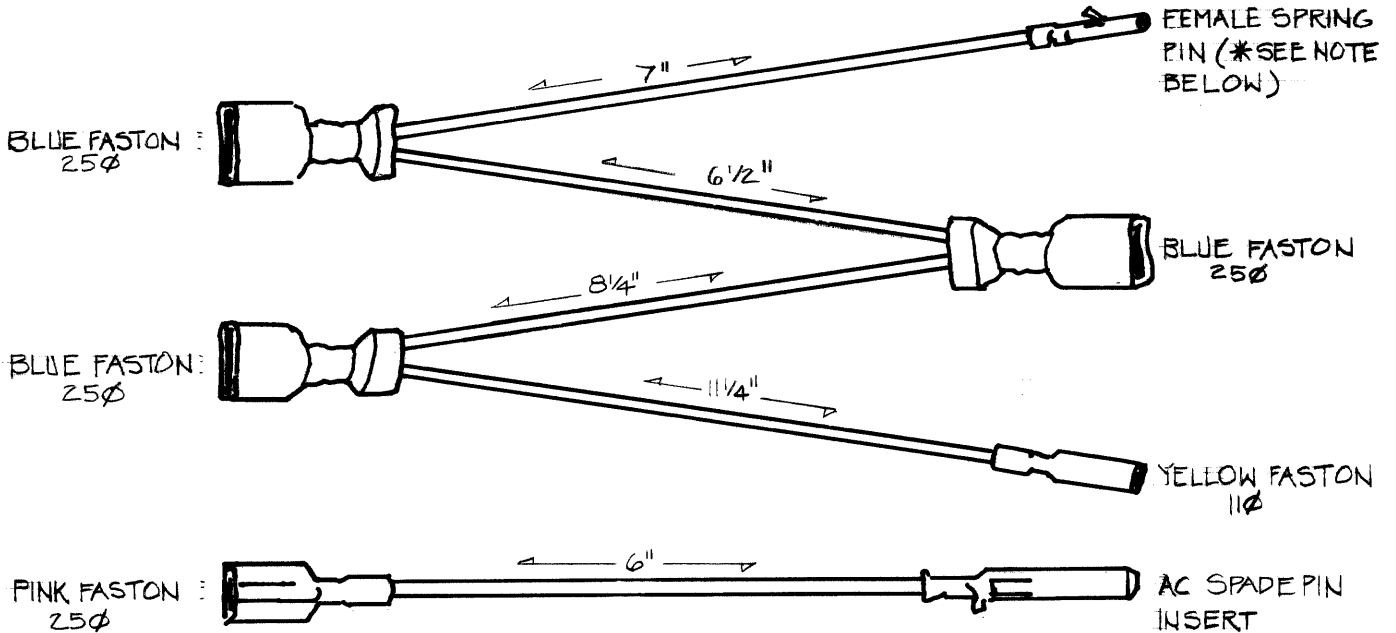


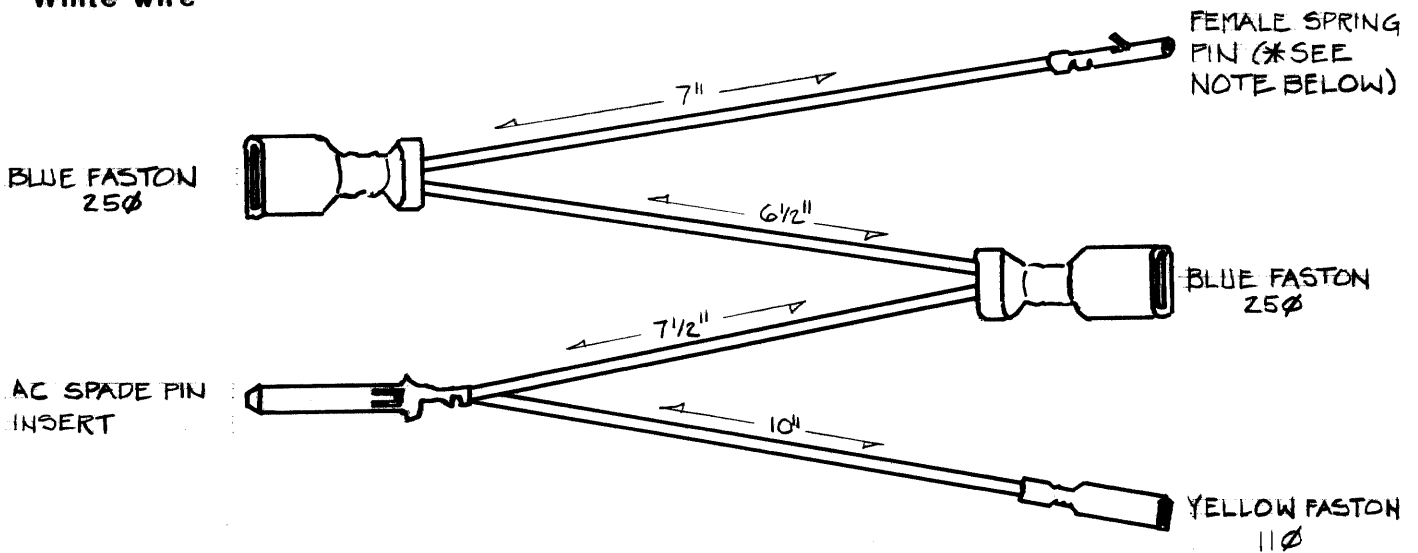
110V 60HZ SINGLE CABINET 8" FLOPPY DRIVES

SUB ASSEMBLY: MAIN POWER HARNESS

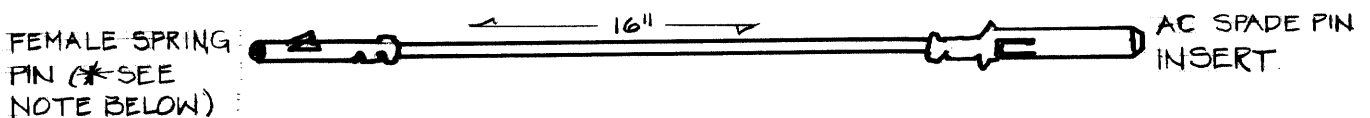
Black wire



White wire



Green wire



* NOTE : SINGLE SIDED DRIVE UNITS USE SINGLE BARB SPRING PINS
DOUBLE SIDED DRIVE UNITS USE DOUBLE BARB SPRING PINS

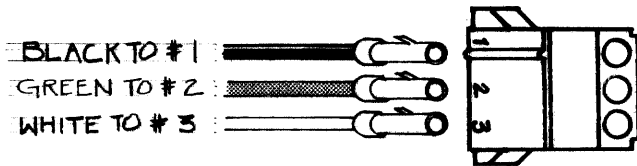
110V 60HZ SINGLE CABINET 8" FLOPPY DRIVES

SUB ASSEMBLY: MAIN POWER HARNESS & FLAT CABLE

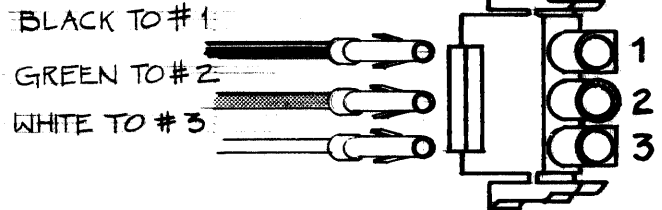
Connect main power harness to drive connector

TAKE THE FEMALE SPRING PIN ENDS OF THE BLACK, WHITE, & GREEN WIRES FROM THE MAIN POWER HARNESS & INSERT INTO THE DRIVE CONNECTOR AS SHOWN BELOW.

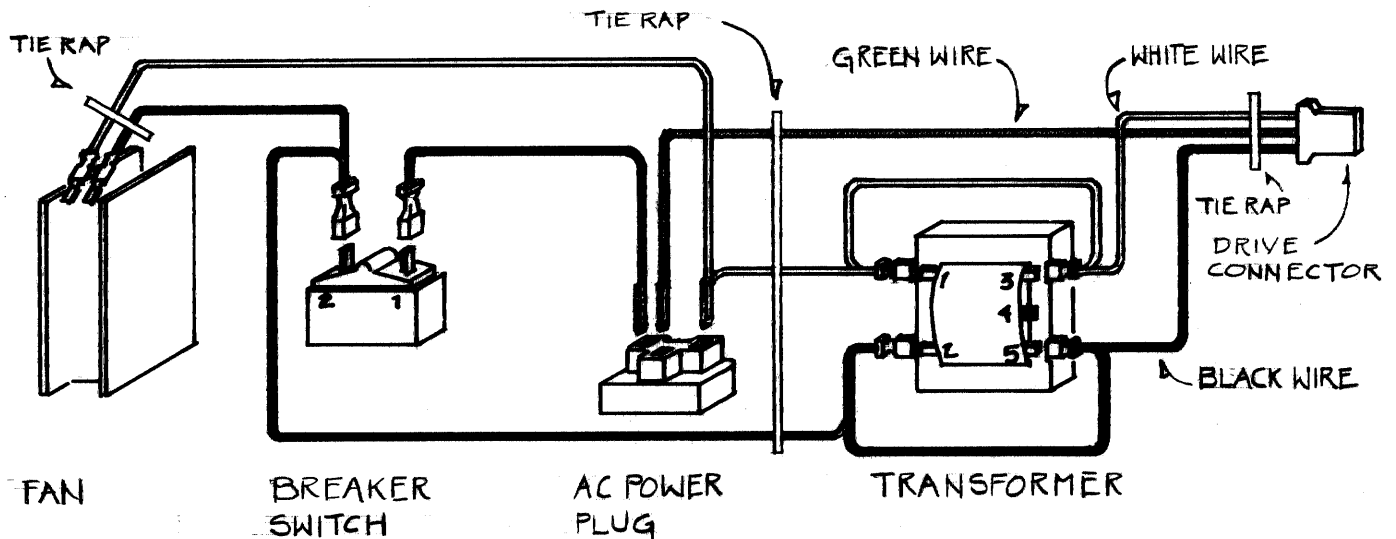
SINGLE SIDED DRIVE CONNECTOR



DOUBLE SIDED DRIVE CONNECTOR

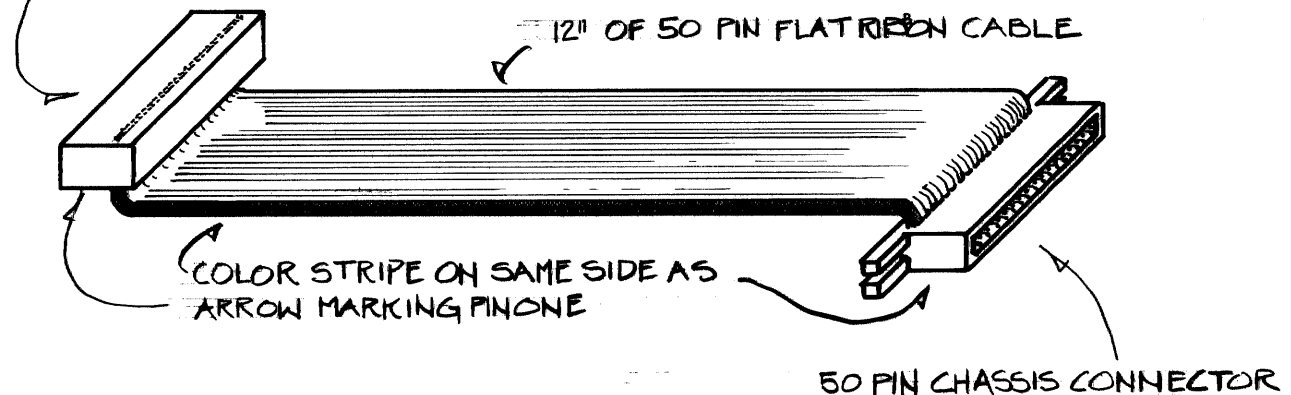


Overview of main power harness connections & tie-raps



Assemble flat cable & connectors

50 PIN FLAT CARD CONNECTOR

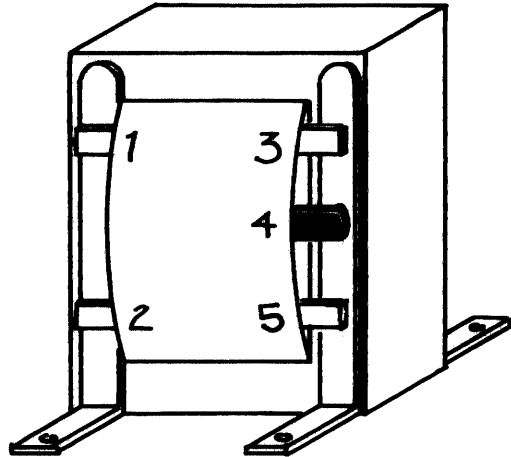


110V 60HZ SINGLE CABINET 8" FLOPPY DRIVES

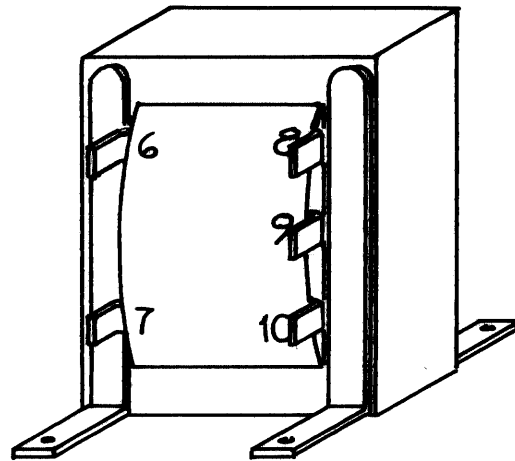
SUB ASSEMBLY : TRANSFORMER PREPARATION

Heat shrink & tab bends

PUT 5/16DX 1/2" HEAT SHRINK ON TAB 4 (NO BENDS THIS SIDE)

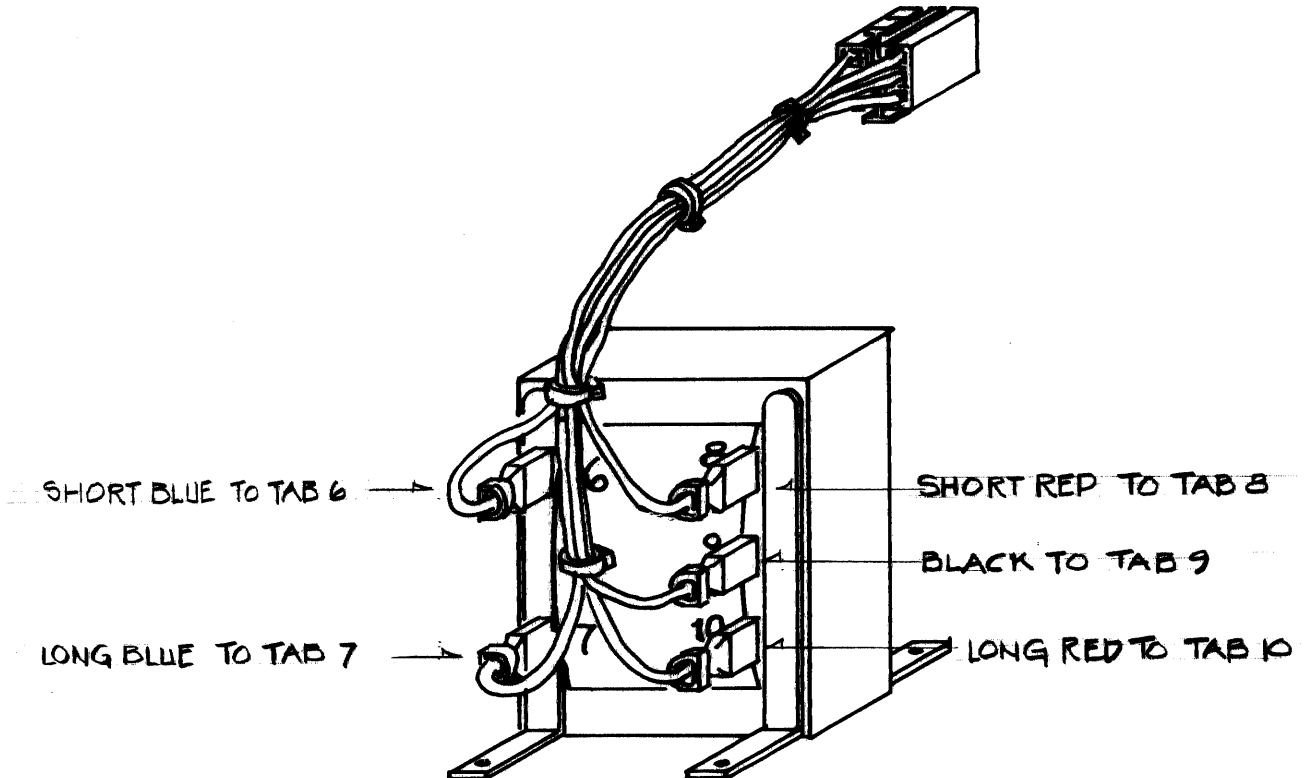


BEND TABS 6,7,8,9, & 10 TO A 90° ANGLE



Connect transformer/power supply harness

CONNECT TRANSFORMER/POWER SUPPLY HARNESS TO TRANSFORMER TABS 6,7,8,9, & 10 AS SHOWN BELOW



110V 60HZ SINGLE CABINET 8" FLOPPY DRIVES

ASSEMBLY: CABLE, SWITCH, PLUG, FAN & MAIN POWER HARNESS

Installing ribbon cable connector AC power plug, breaker switch & fan

INSTALL 50 PIN CHASSIS CONNECTOR, COLOR STRIPE THIS SIDE
USE TWO 9/40 X 1/2" PAN HEAD BOLTS,
TWO 9/40 NUTS & TWO #4 LOCK WASHERS

POP IN BREAKER SWITCH FROM
OUTSIDE. BE SURE #'S 1 & 2 FACE UP

INSTALL FAN WITH PLUGS FACING
UP IN THIS CORNER. USE TWO
6/32 X 3/4" PAN HEAD BOLTS &
TWO #6 LOCK WASHERS.
THREAD INTO BENT
SHEET METAL FLANGE.

MOUNT AC POWER PLUG ON THE
THREADED POSTS & BOLT USING
TWO 9/40 HEX NUTS & TWO #4 LOCK
WASHERS, BE SURE THE CENTER
SLOT (GROUND) IS ON THE BOTTOM.

Connecting main power harness

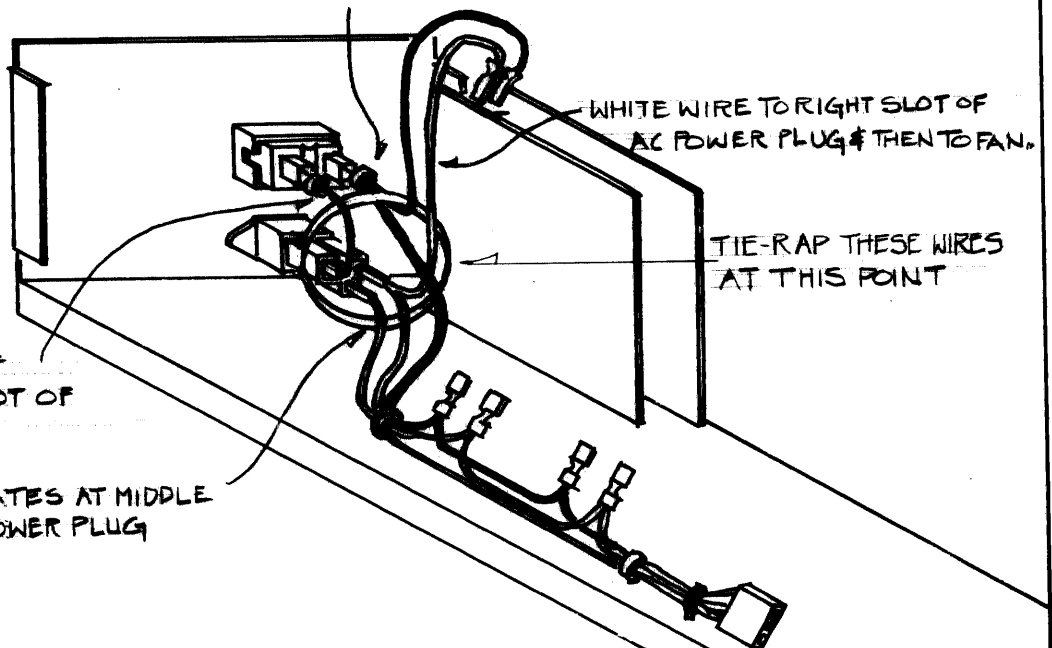
MAIN BLACK WIRE TO TAB #2 OF
BREAKER SWITCH & THEN TO FAN

WHITE WIRE TO RIGHT SLOT OF
AC POWER PLUG & THEN TO FAN.

TIE-RAP THESE WIRES
AT THIS POINT

6" BLACK WIRE TO TAB #1 OF
BREAKER SWITCH & LEFT SLOT OF
AC POWER PLUG

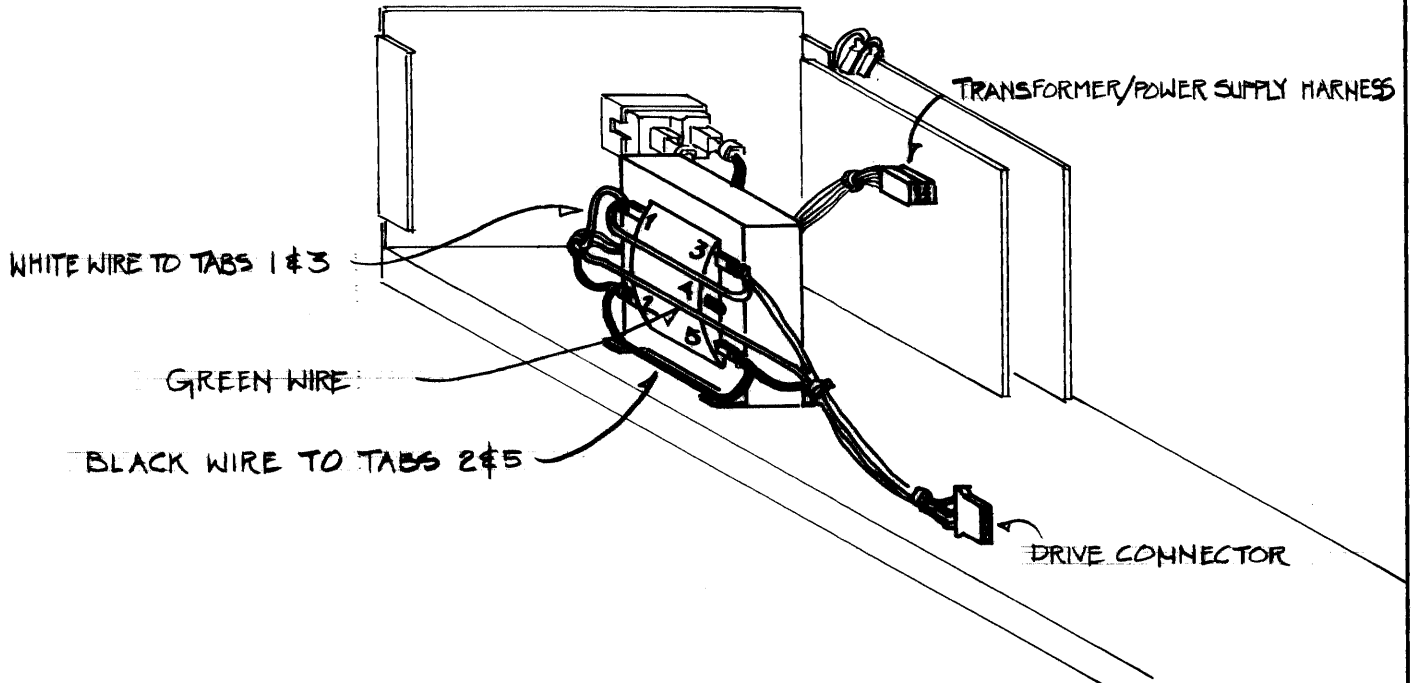
GREEN WIRE TERMINATES AT MIDDLE
BOTTOM SLOT OF AC POWER PLUG



**110V 60HZ SINGLE CABINET 8" FLOPPY DRIVES
ASSEMBLY: TRANSFORMER**

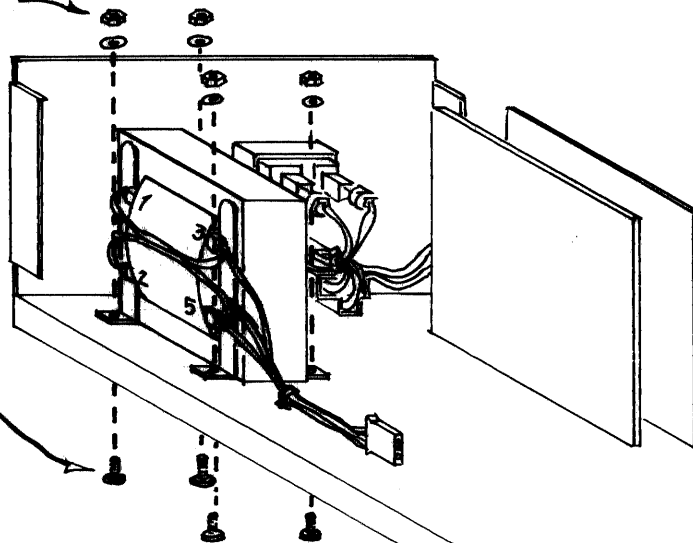
Connect transformer to main power harness

PLACE PREPARED TRANSFORMER ACROSS FROM FAN, & CONNECT THE MAIN POWER HARNESS TO TABS 1, 2, 3 & 5 OF TRANSFORMER.



Install transformer

- INSTALL TRANSFORMER USING FOUR 8/32 HEX NUTS,
- FOUR #8 LOCK WASHERS
- FOUR 8/32x3/8 PAN HEAD BOLTS

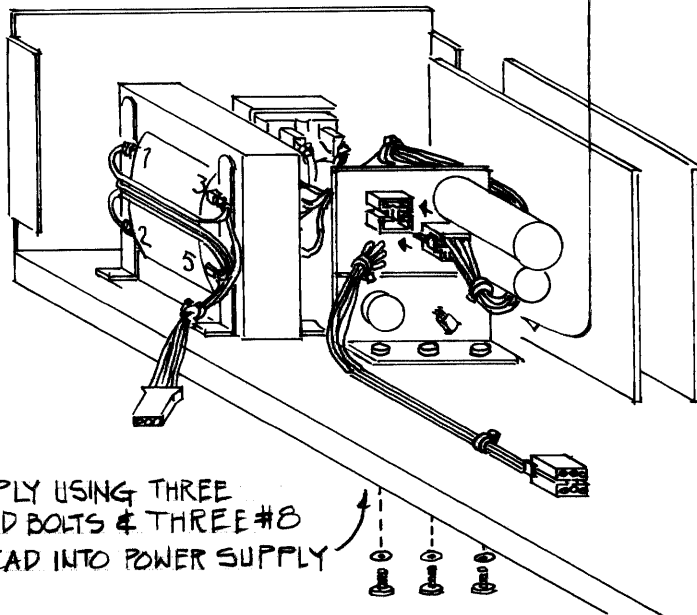


110V 60HZ SINGLE CABINET 8" FLOPPY DRIVE

ASSEMBLY: POWER SUPPLY

Install power supply & connect transformer/power supply harness

CONNECT TRANSFORMER/POWER SUPPLY
HARNESS TO POWER SUPPLY

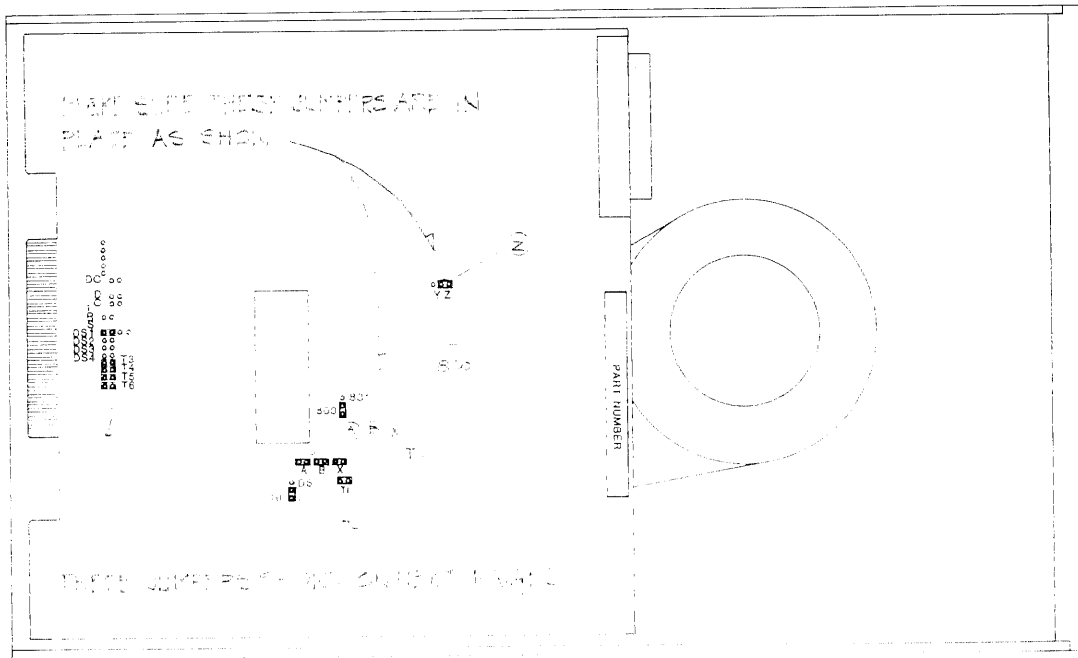


The first stage of assembly is now over.

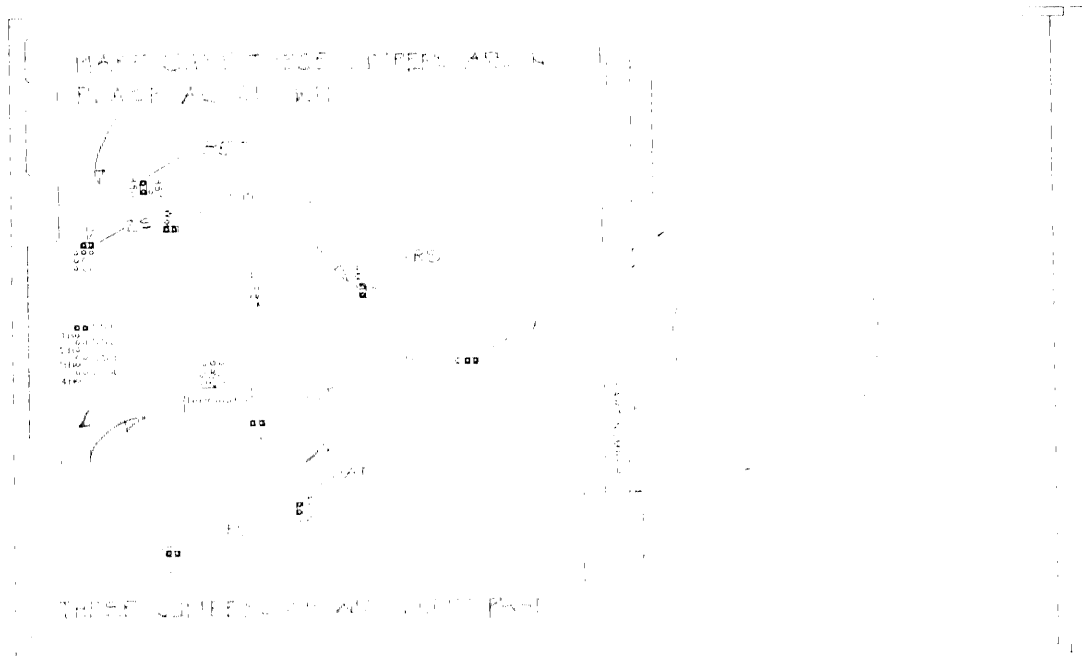
It's time to prepare the drives.

**110V 60HZ SINGLE CABINET 8" FLOPPY DRIVE
ASSEMBLY: DRIVE PC BOARD**

SINGLE SIDED DRIVES Inspect jumper settings



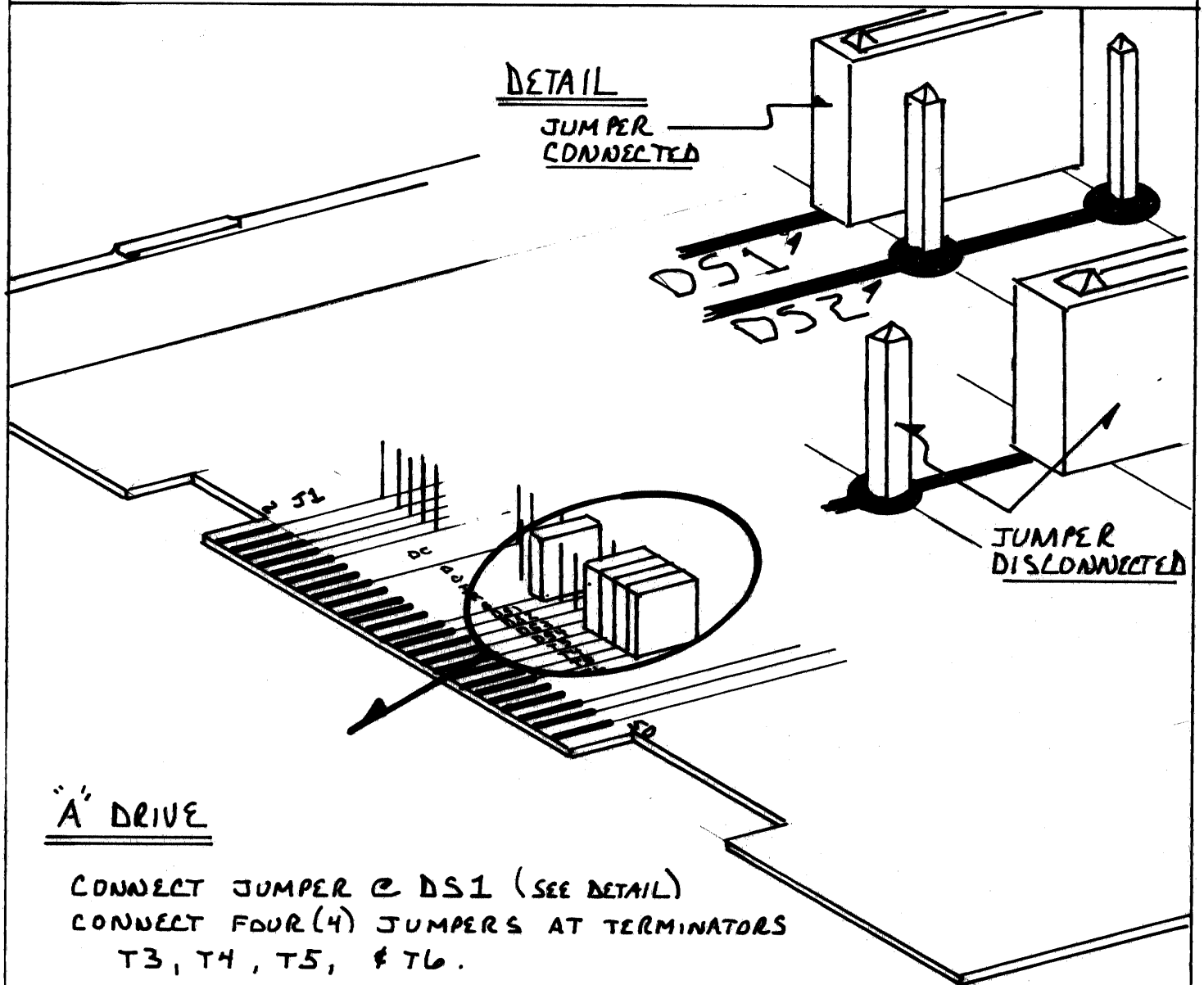
DOUBLE SIDED DRIVES Inspect jumper settings



110V 60HZ SINGLE CABINET 8" FLOPPY DRIVE
ASSEMBLY: SINGLE SIDED DRIVE PC BOARD

PRELIMINARY CHECK:

Determine whether drives are configured "A" or "B"
Turn drive upsidedown so that board side is up.



"A" DRIVE

CONNECT JUMPER @ DS1 (SEE DETAIL)
CONNECT FOUR (4) JUMPERS AT TERMINATORS
T3, T4, T5, & T6.

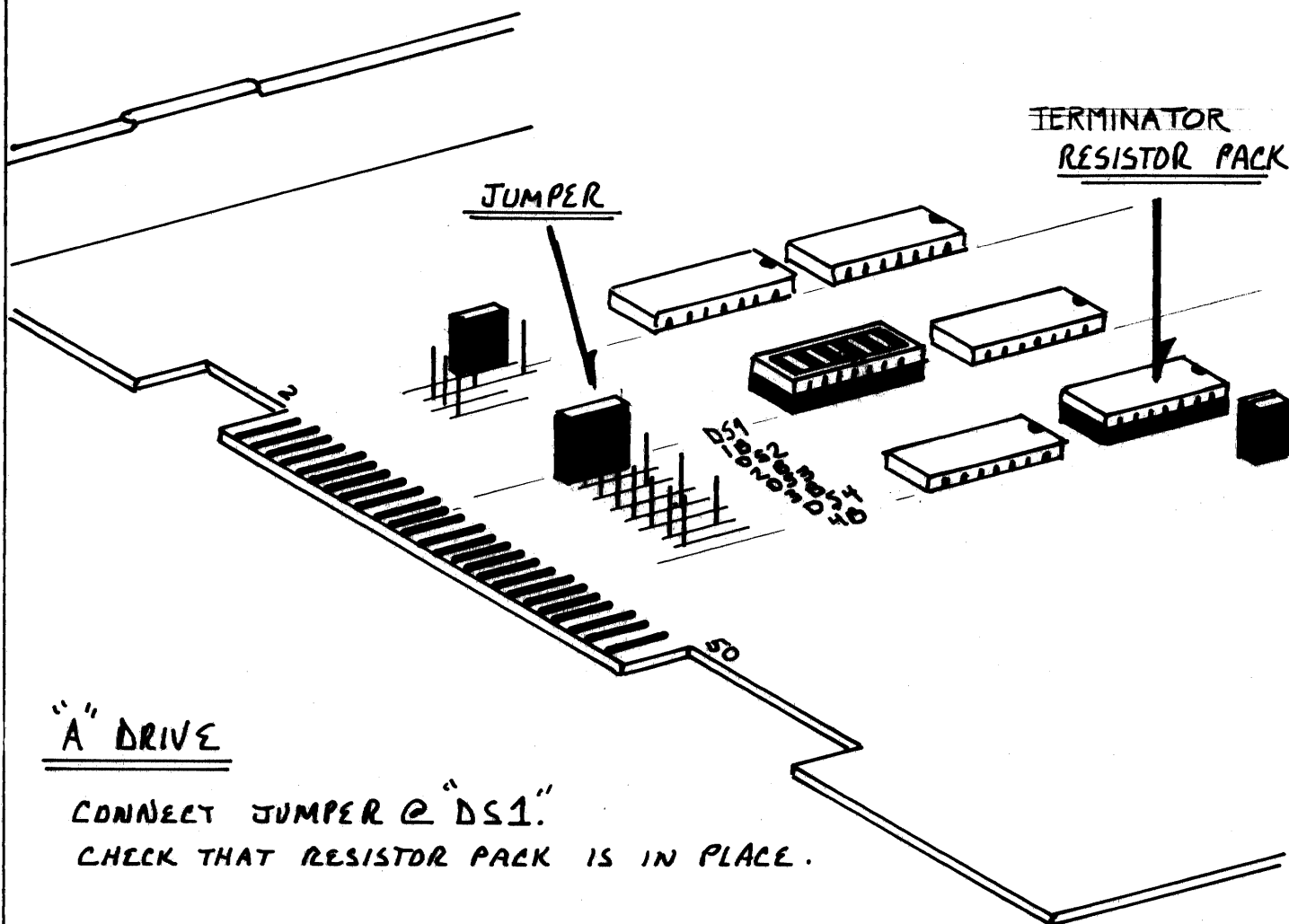
"B" DRIVE

CONNECT JUMPER @ DS2
DISCONNECT JUMPERS (4) AT TERMINATORS
T3, T4, T5, & T6. (SEE DETAIL)

110V 60HZ SINGLE CABINET 8" FLOPPY DRIVE
ASSEMBLY: DOUBLE SIDED DRIVE PC BOARD

PRELIMINARY CHECK

Determine whether drives are configured "A" or "B"
Turn drive upsidedown so that board side is up



"A" DRIVE

CONNECT JUMPER @ "DS1".
CHECK THAT RESISTOR PACK IS IN PLACE.

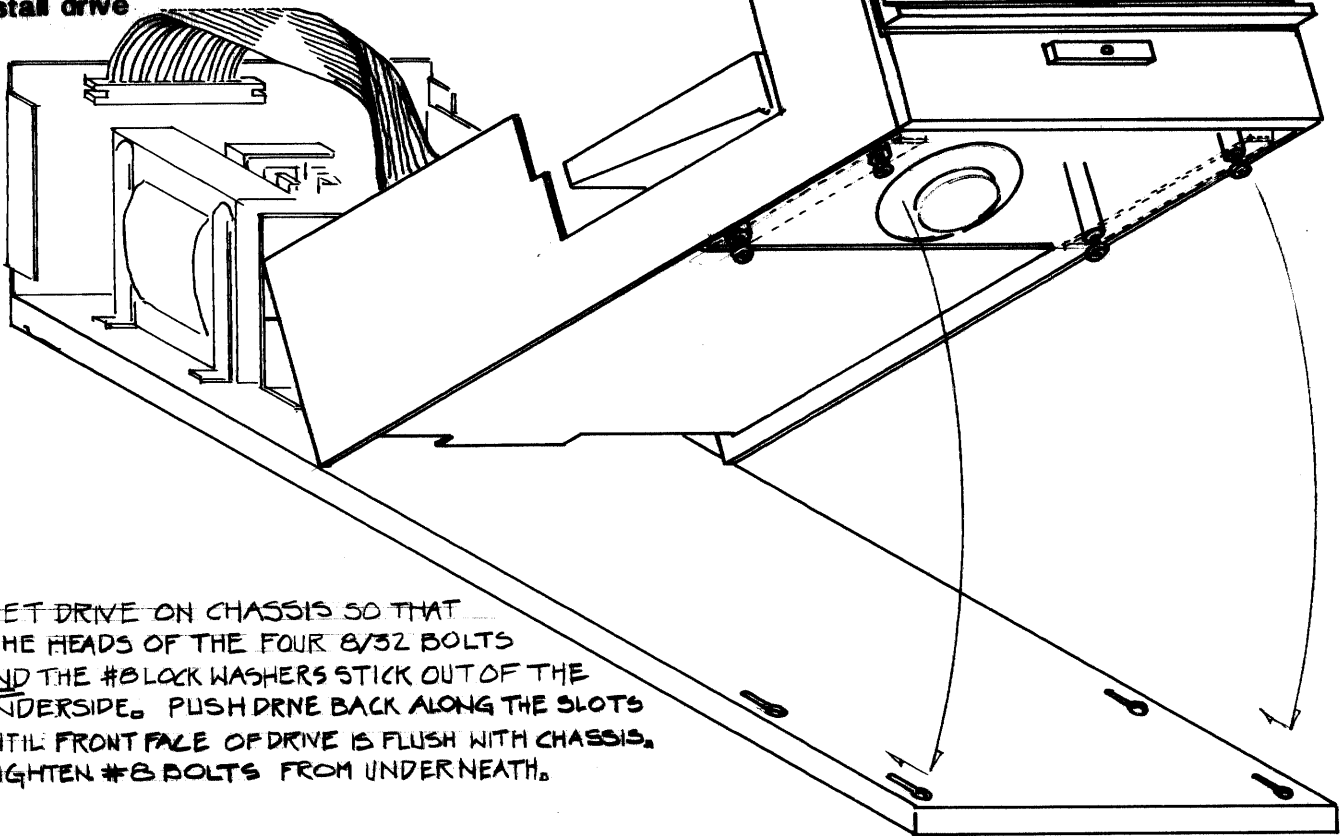
"B" DRIVE

CONNECT JUMPER @ "DS2"
PULL OUT RESISTOR PACK (UNUSED)

110V 60HZ SINGLE CABINET 8" FLOPPY DRIVE

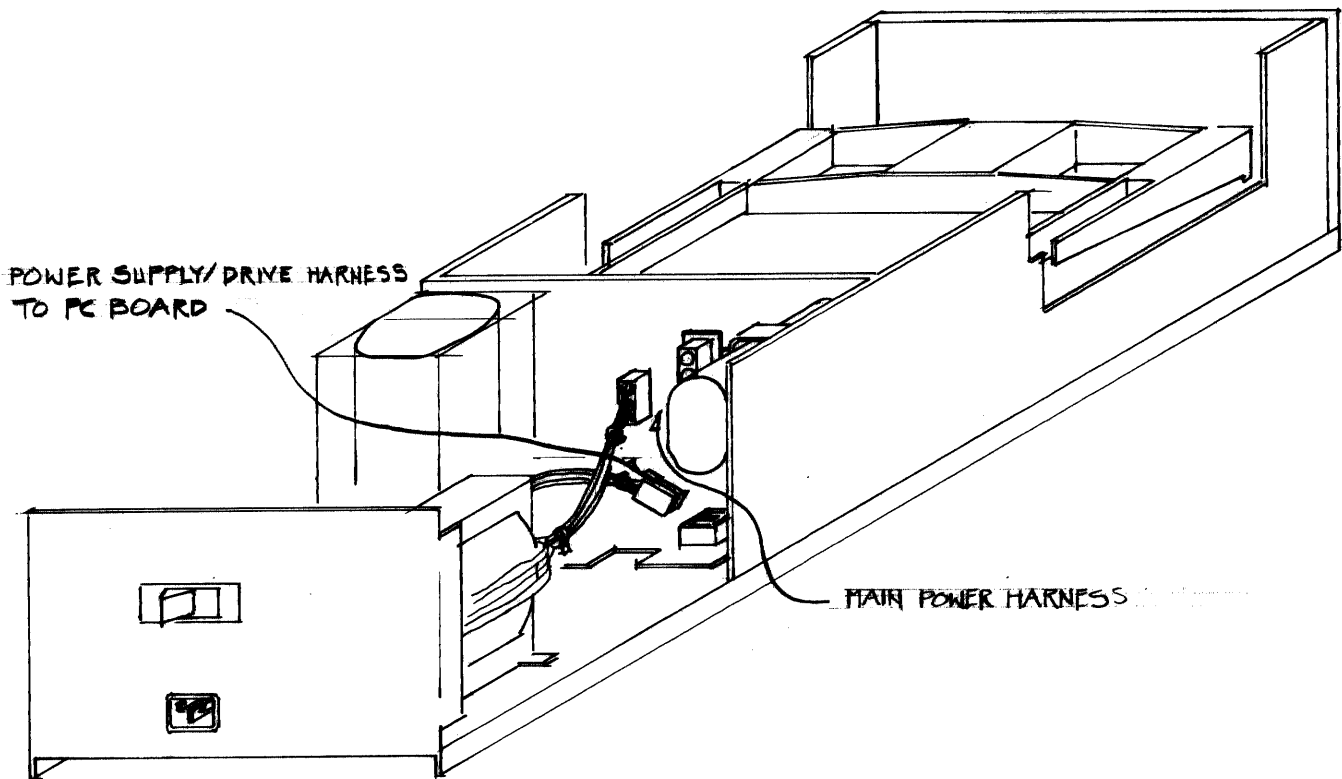
ASSEMBLY: DRIVE

Install drive



SET DRIVE ON CHASSIS SO THAT THE HEADS OF THE FOUR 8/32 BOLTS AND THE #8 LOCK WASHERS STICK OUT OF THE UNDERSIDE. PUSH DRIVE BACK ALONG THE SLOTS UNTIL FRONT FACE OF DRIVE IS FLUSH WITH CHASSIS. TIGHTEN #8 BOLTS FROM UNDERNEATH.

Connect main power & power supply/drive harnesses



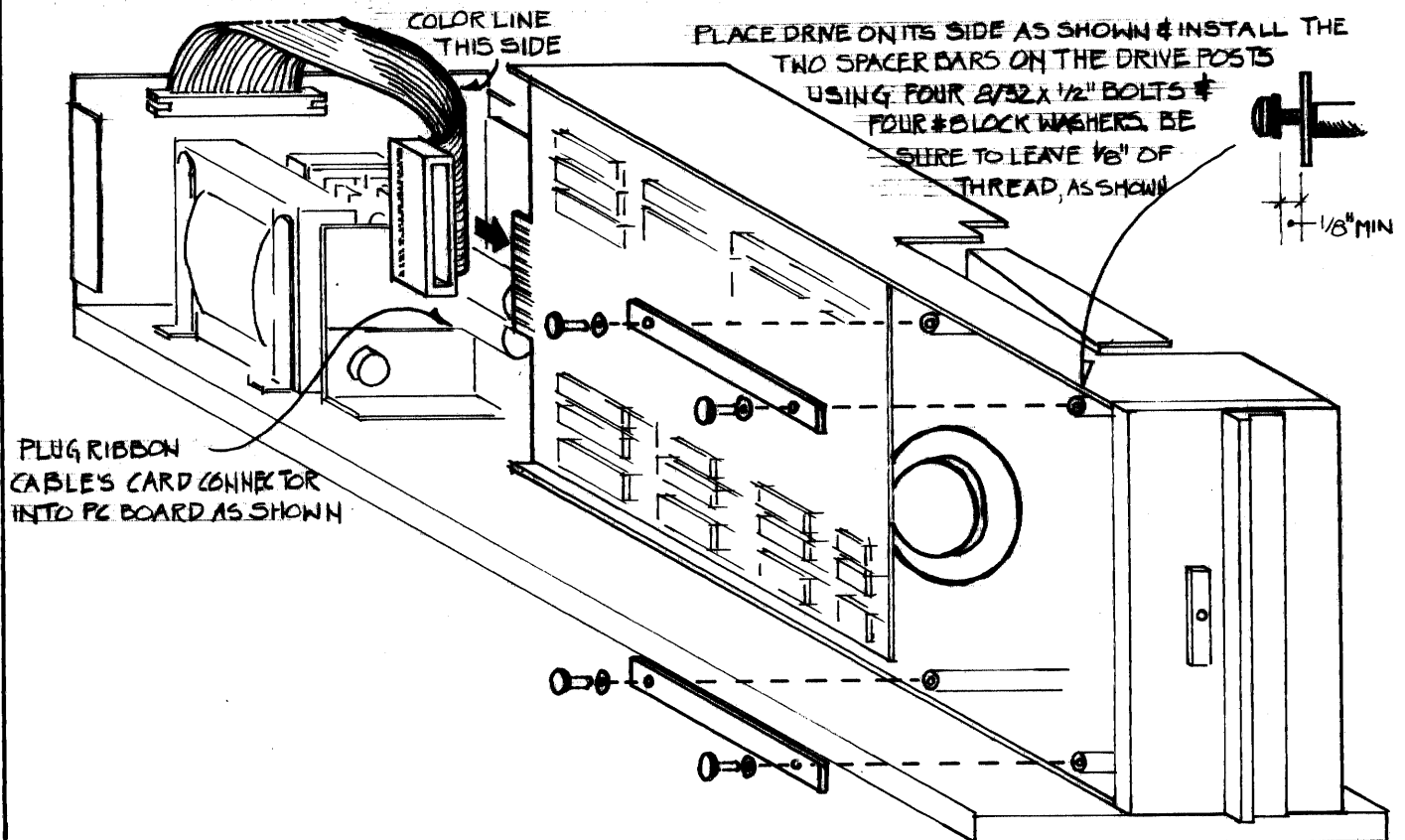
POWER SUPPLY/DRIVE HARNESS TO PC BOARD

MAIN POWER HARNESS

110V 60HZ SINGLE CABINET 8" FLOPPY DRIVES

ASSEMBLY: DRIVES

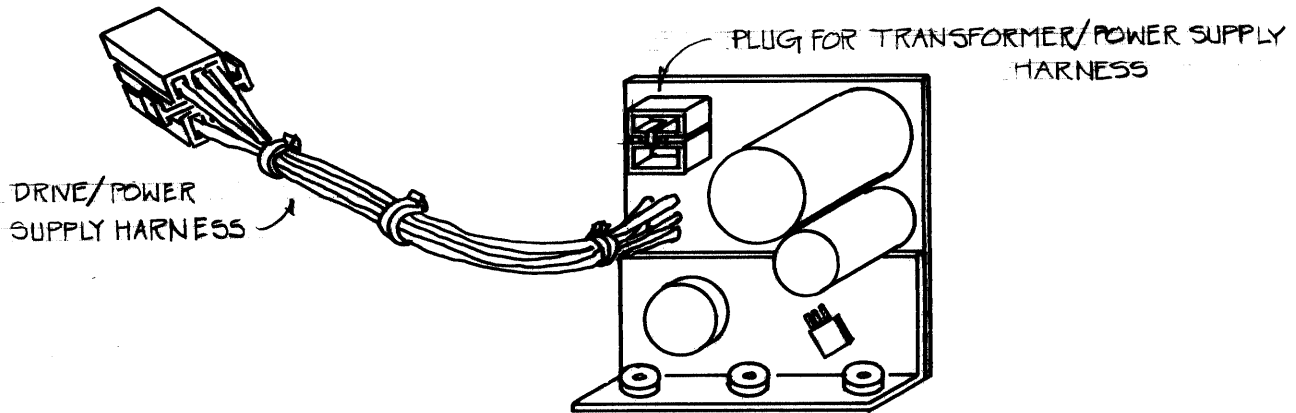
Connect ribbon cable and install spacer bars



110V 60HZ SINGLE CABINET 8" FLOPPY DRIVES

SUB ASSEMBLY: POWER SUPPLY & TRANSFORMER/POWER SUPPLY HARNESS

Power supply illustration

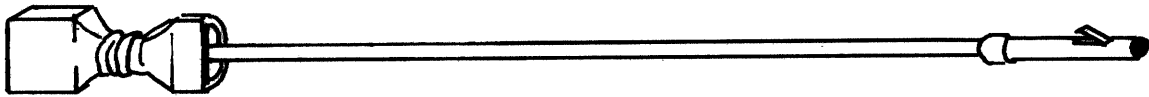


Assemble transformer/power supply harness

THE TRANSFORMER/POWER SUPPLY HARNESS HAS FIVE WIRES:

- TWO 10 1/4" SHORT WIRES: ONE RED & ONE BLUE
- ONE 11" MEDIUM WIRE: BLACK
- TWO 11 3/4" LONG WIRES: ONE RED & ONE BLUE

EACH WIRE HAS A PINK FASTON 250 AT ONE END, & A SINGLE BARB FEMALE SPRING PIN AT THE OTHER.



THE FEMALE SPRING PIN END OF EACH WIRE IS CONNECTED TO THE POWER SUPPLY PLUG IN THE FOLLOWING ORDER:

- SHORT BLUE TO SLOT #2
- LONG BLUE TO SLOT #1
- BLACK TO SLOT #3
- SHORT RED TO SLOT #6
- LONG RED TO SLOT #5

