

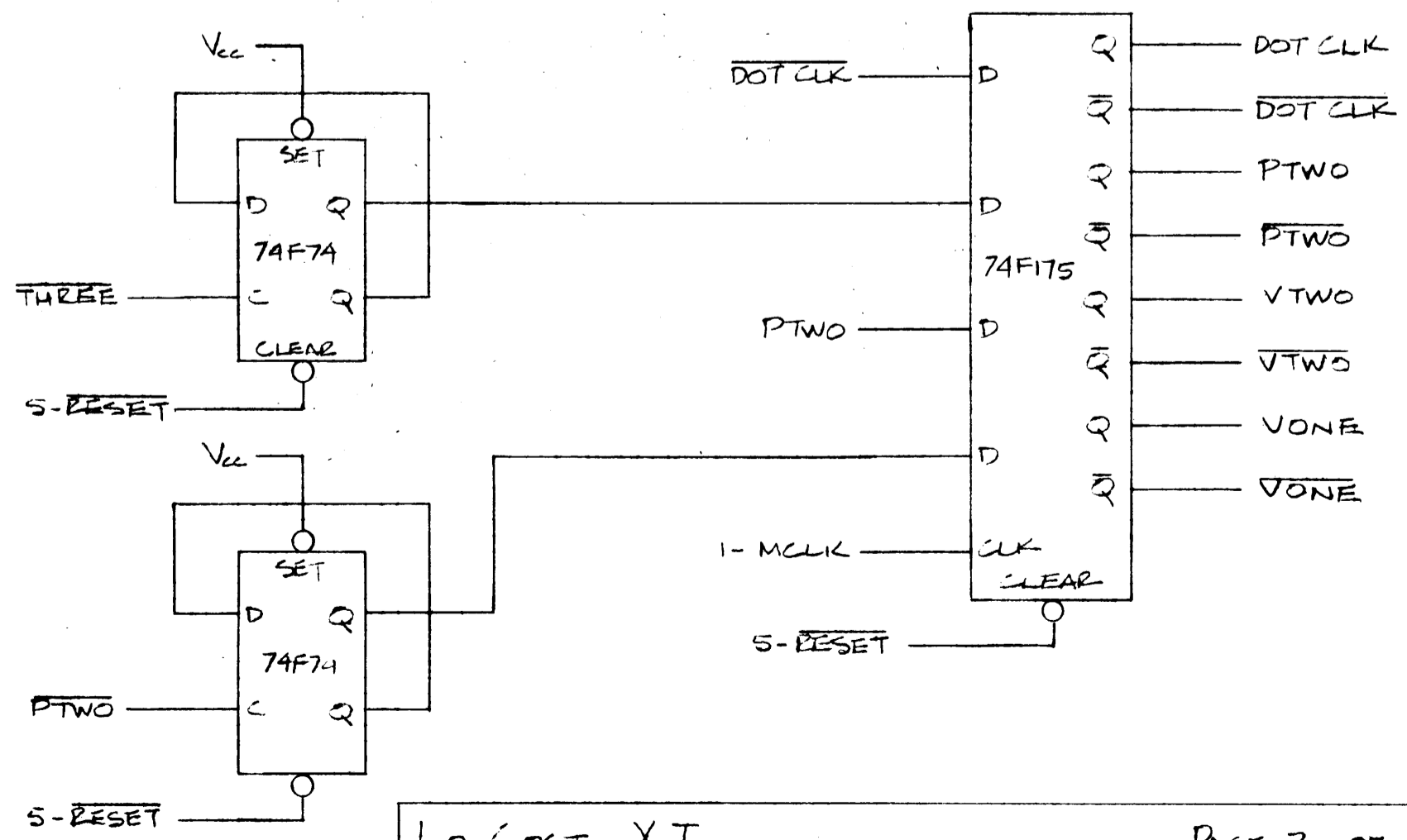
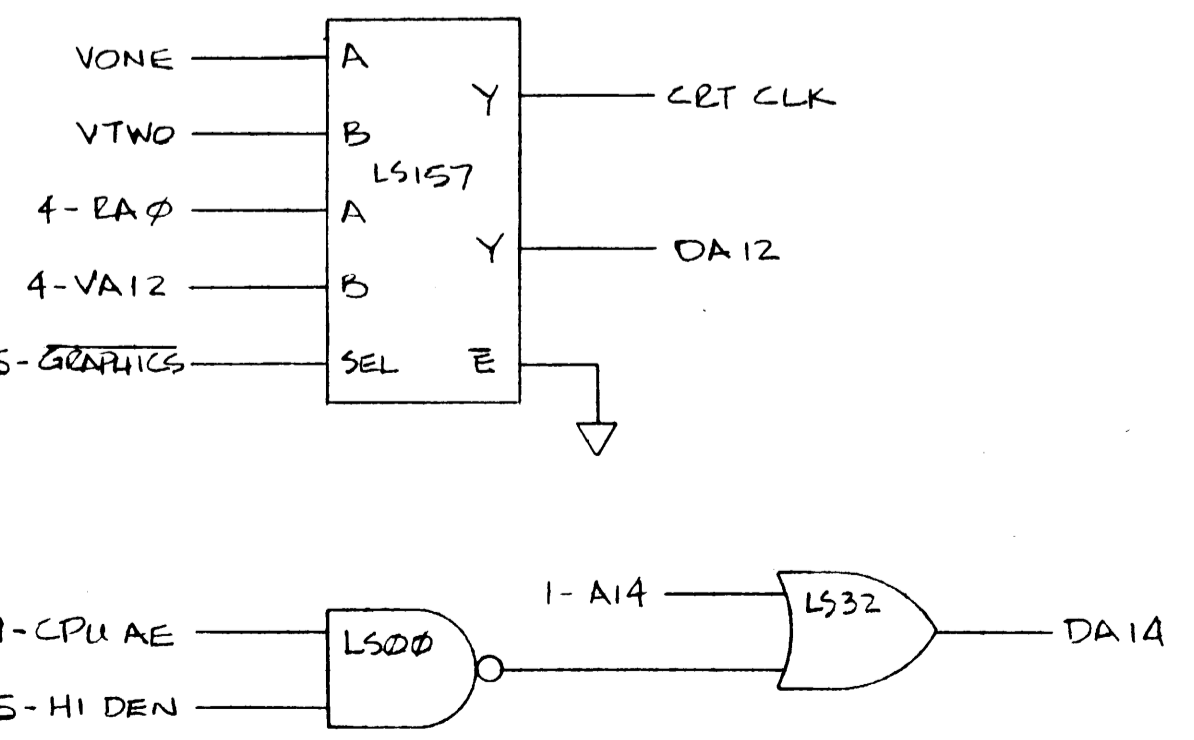
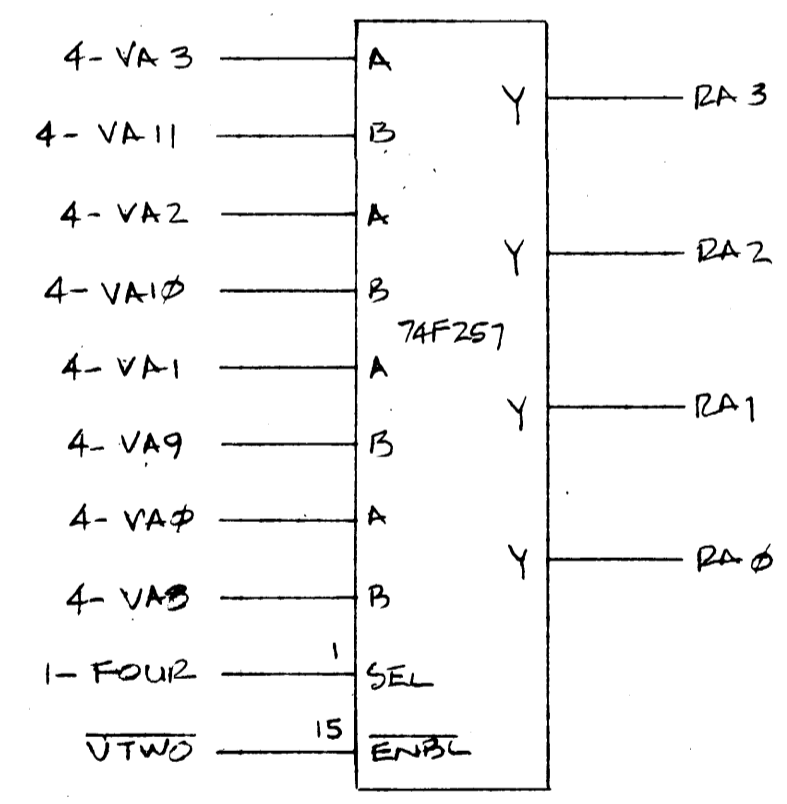
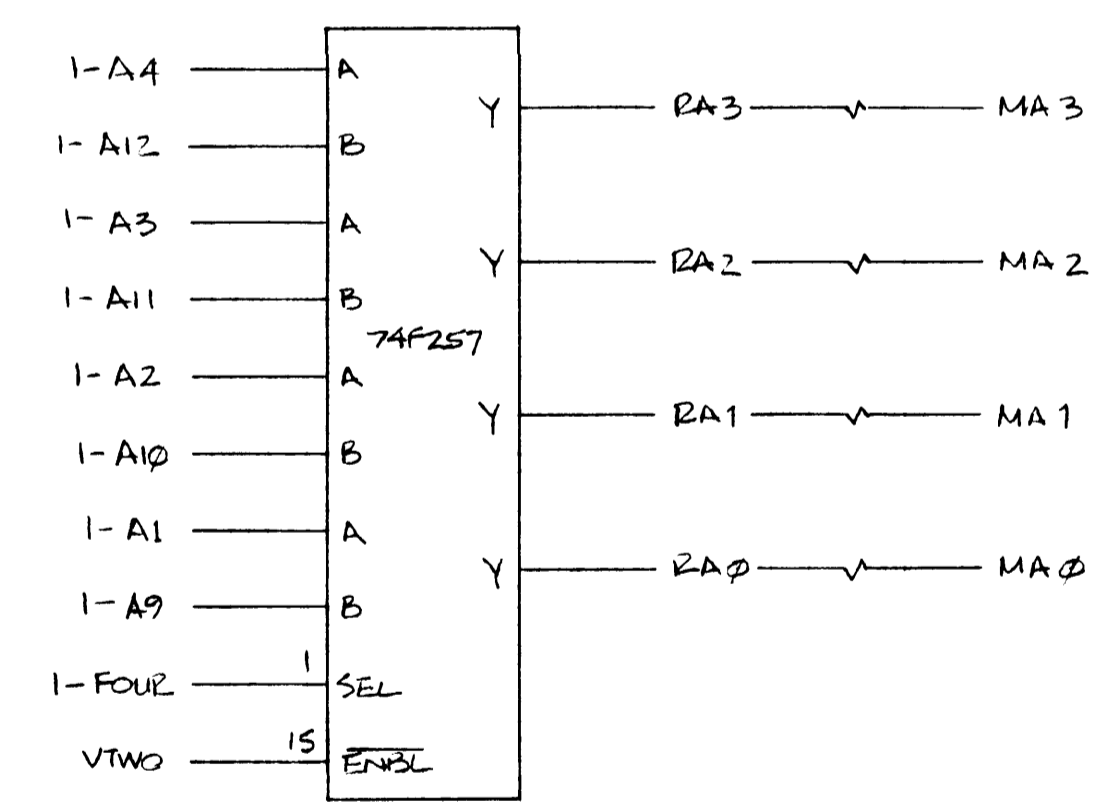
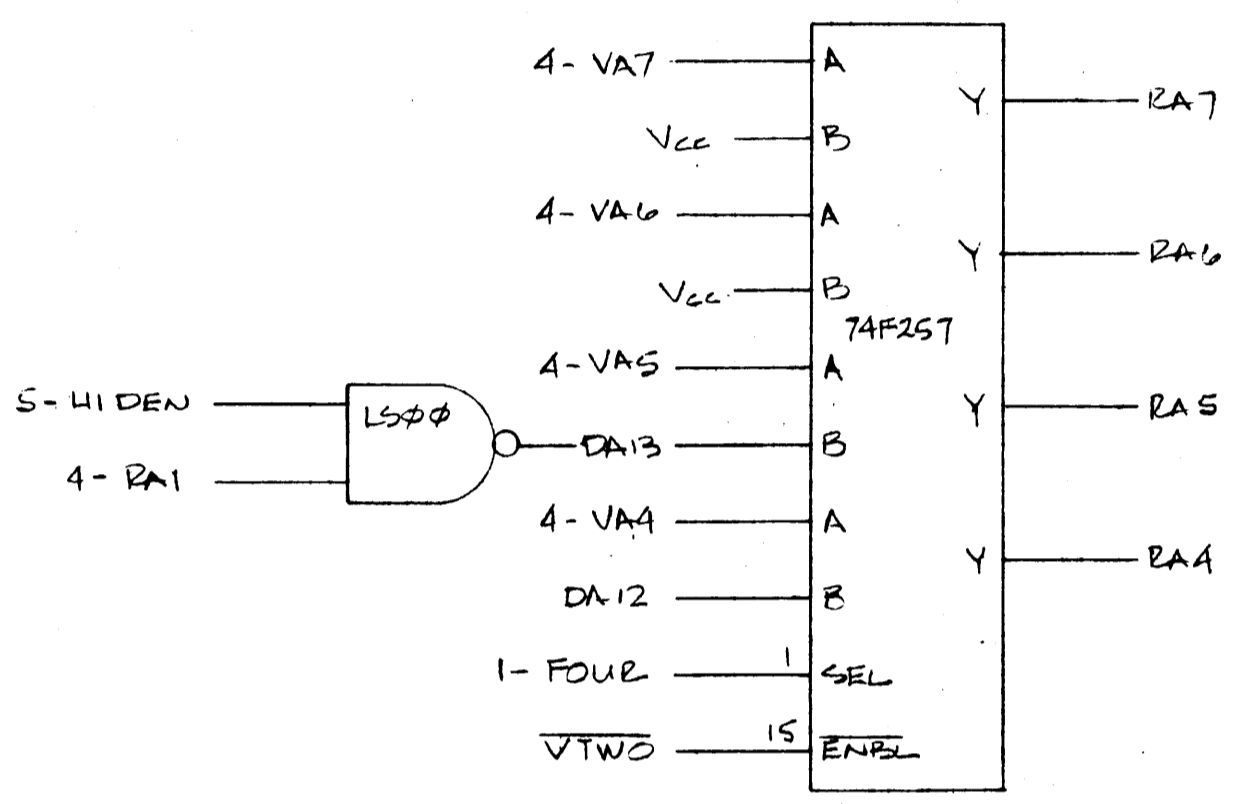
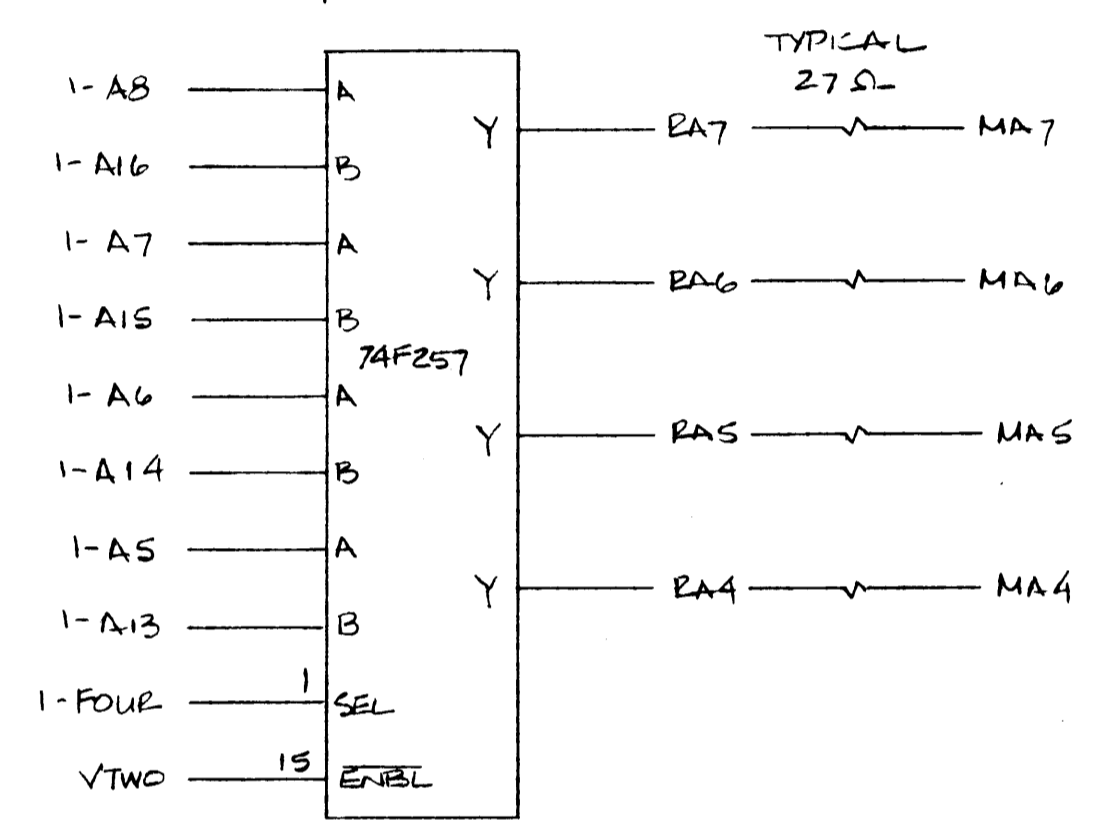
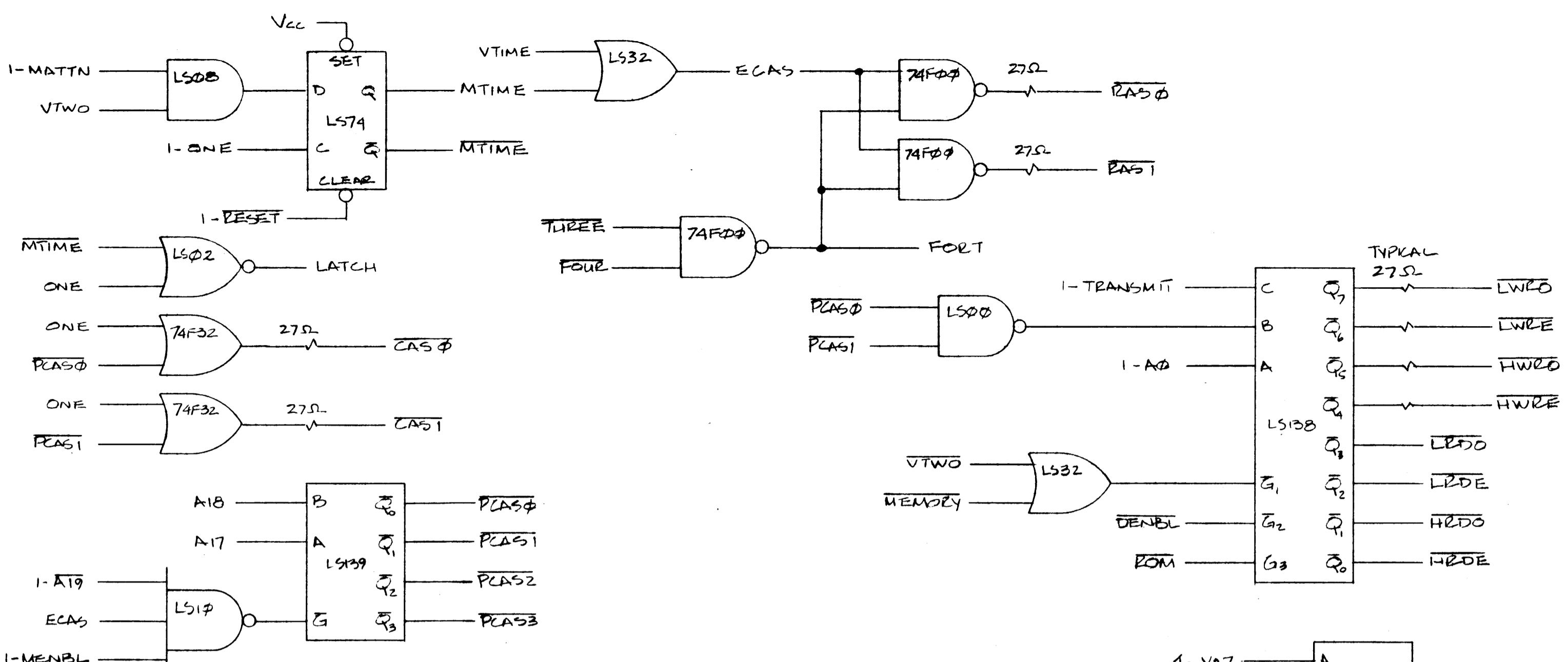
5/7/84

Lo Cost XT

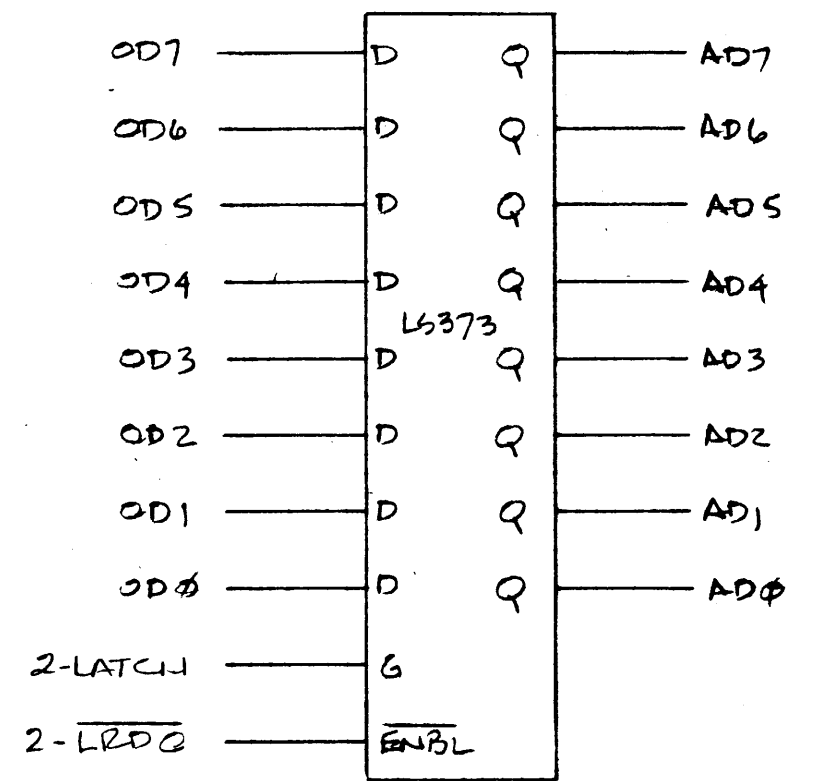
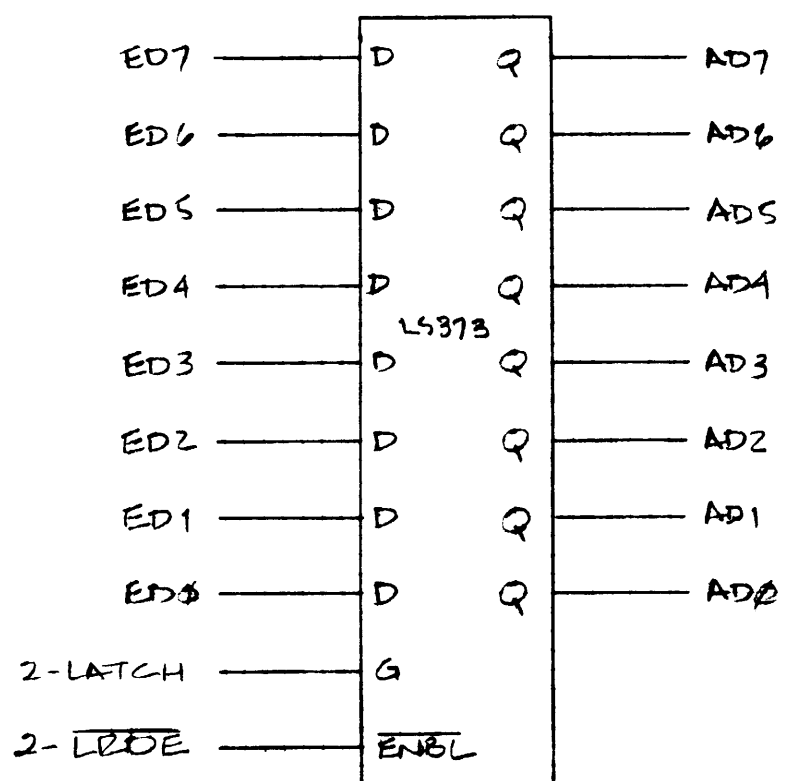
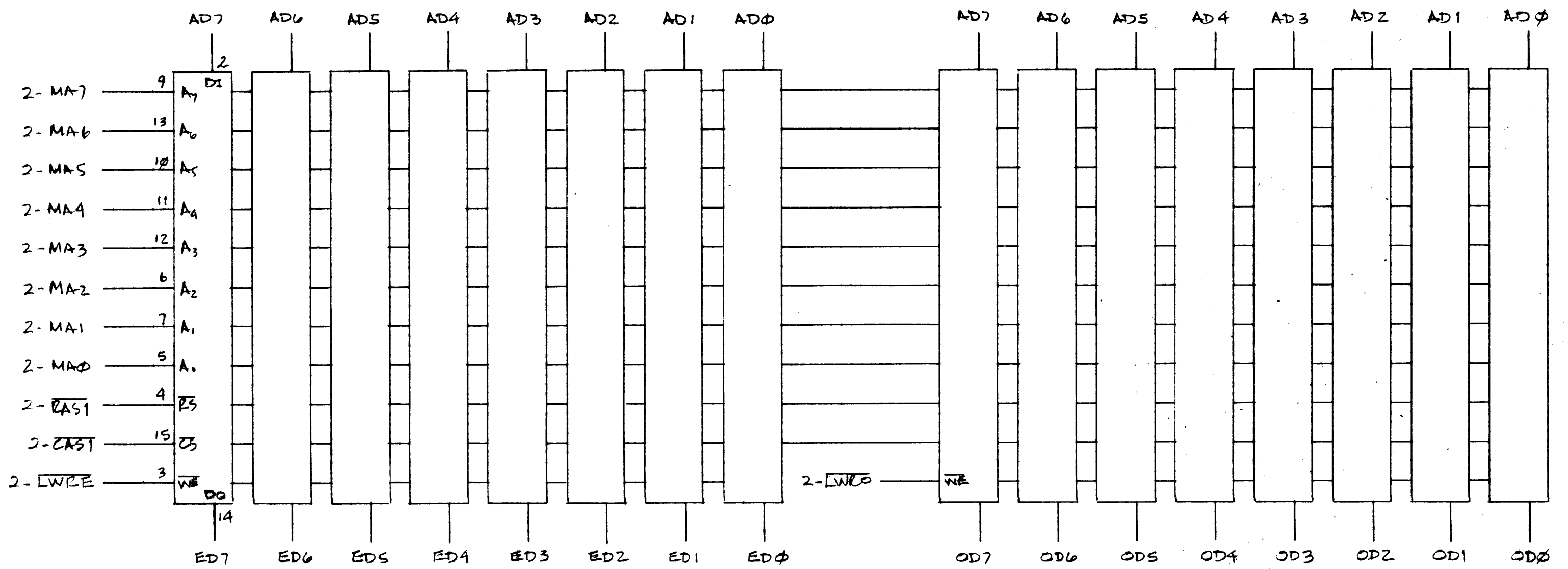
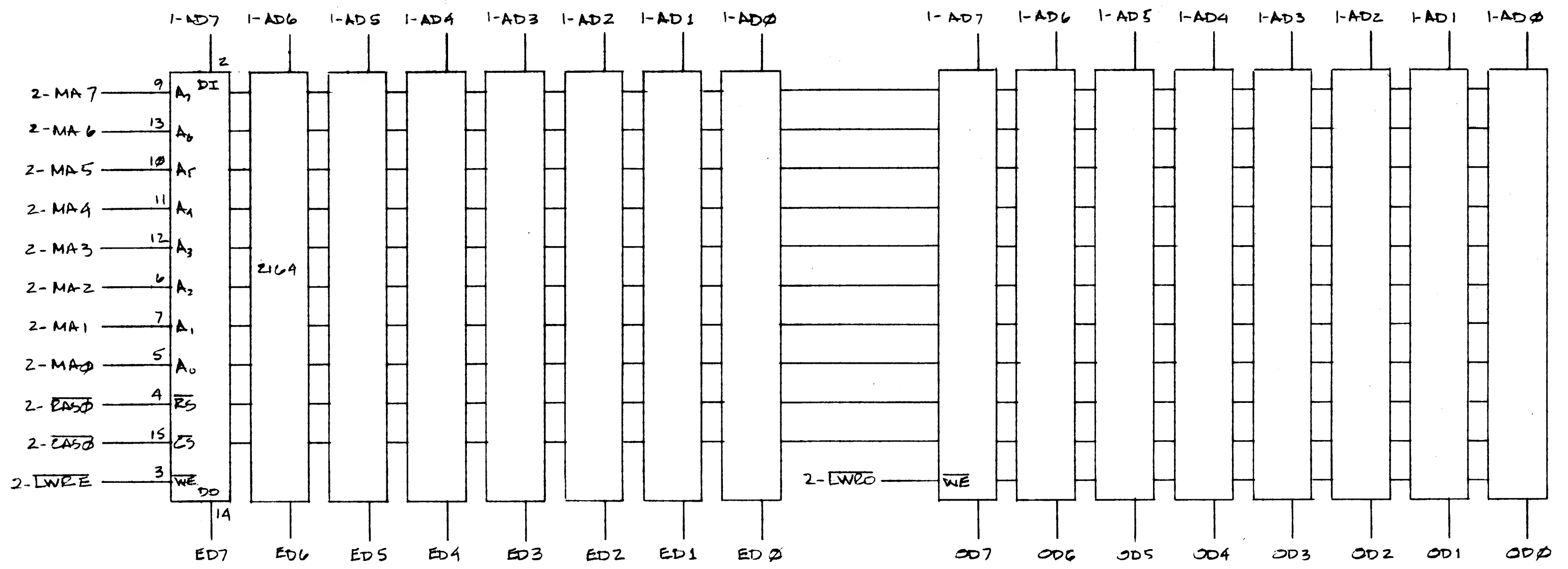
CPU LOGIC

PAGE 1 OF 10

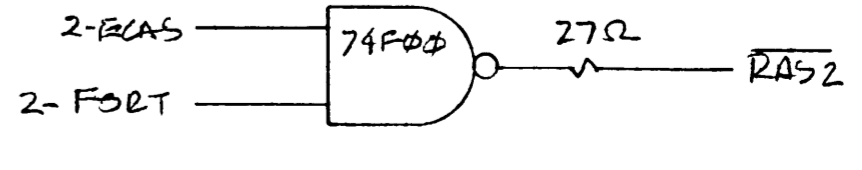
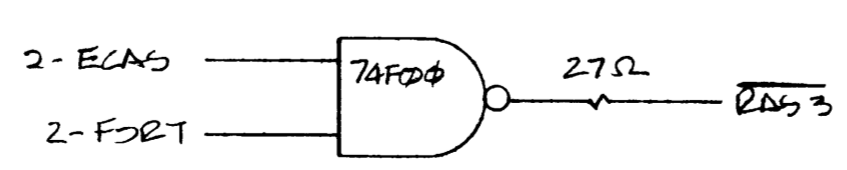
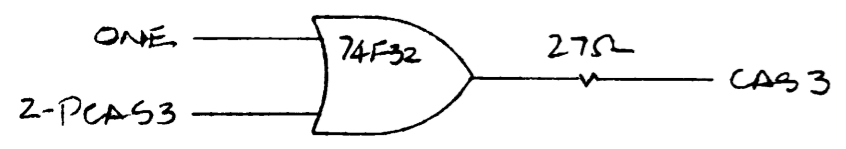
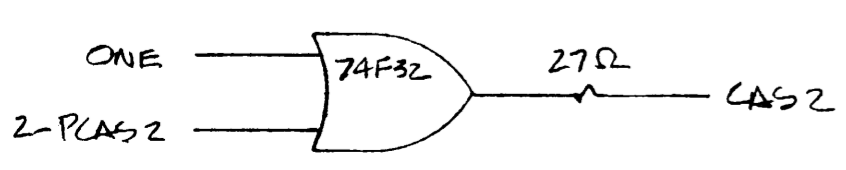
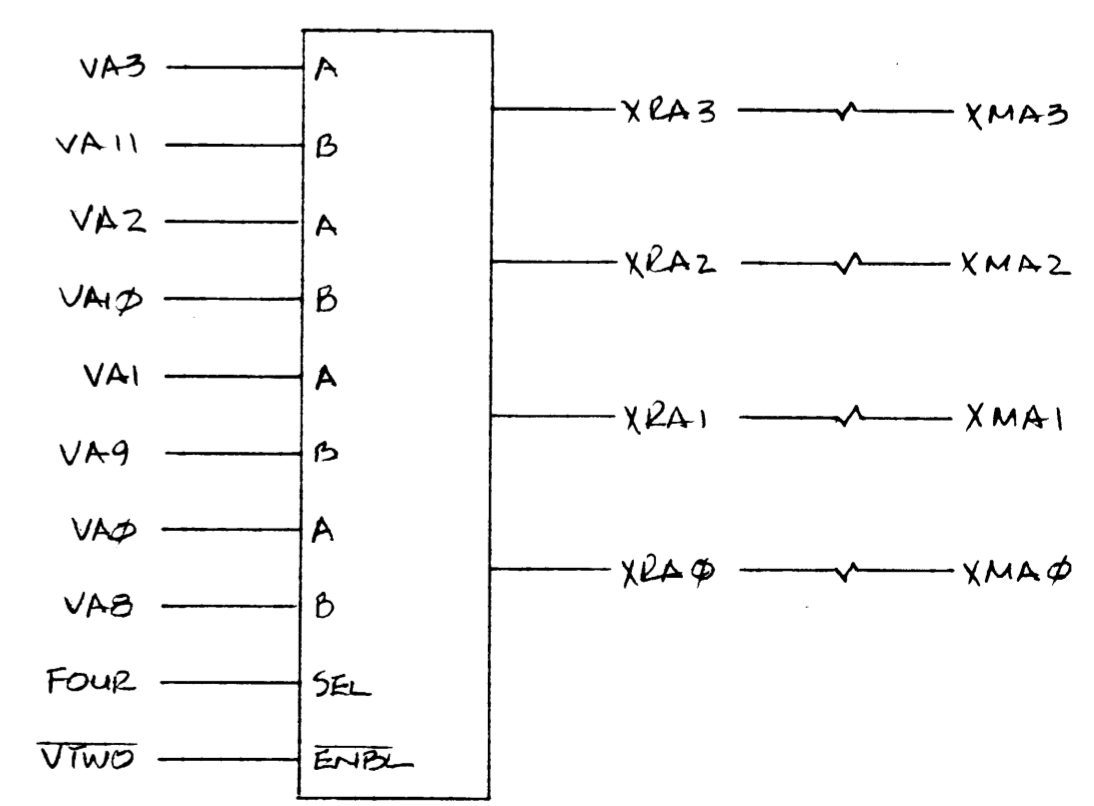
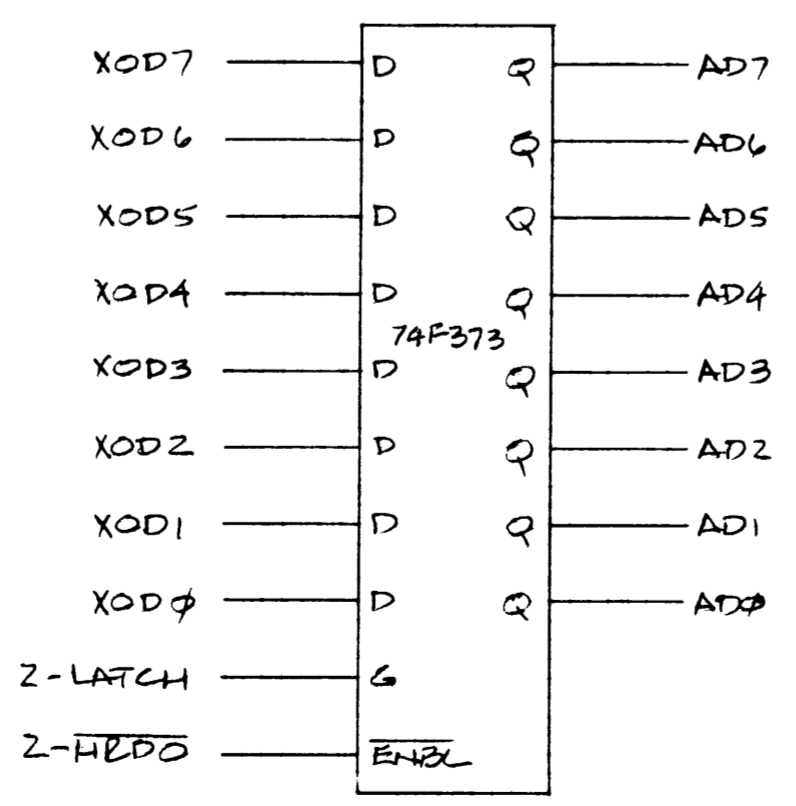
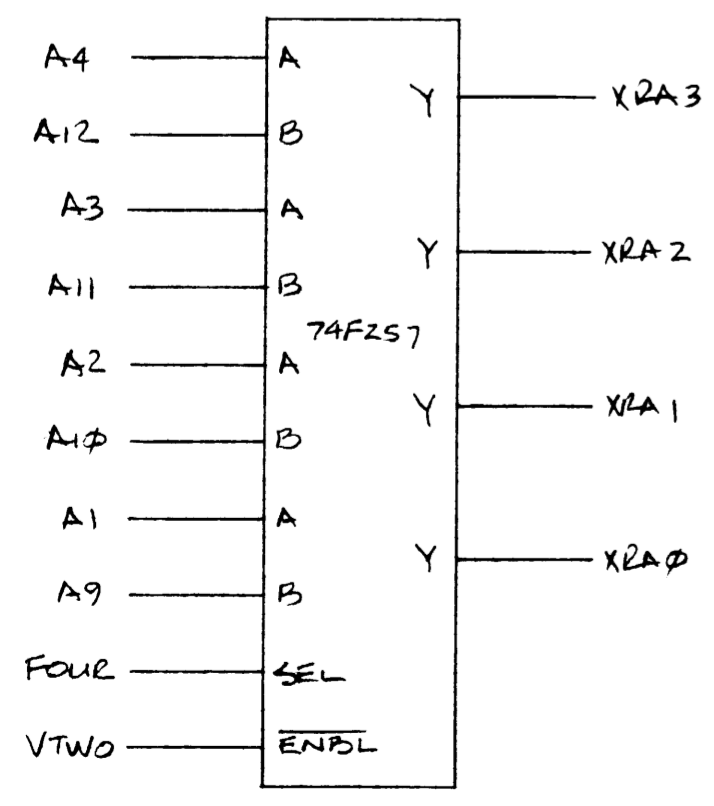
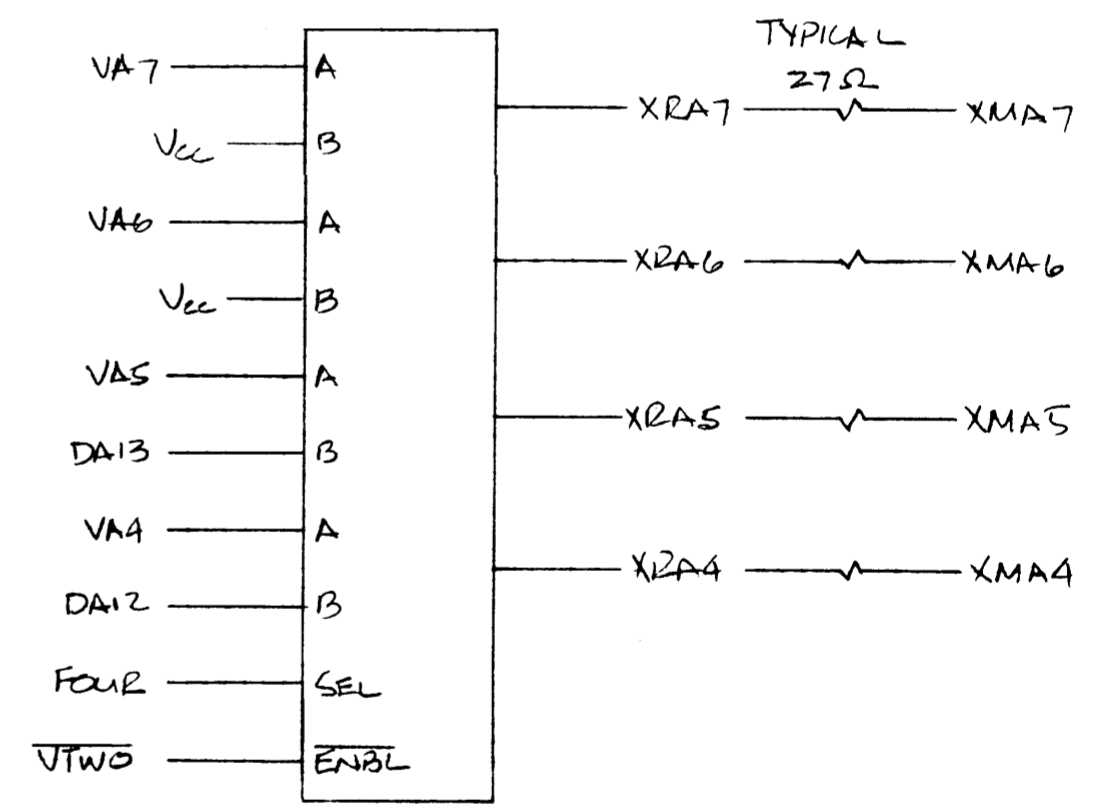
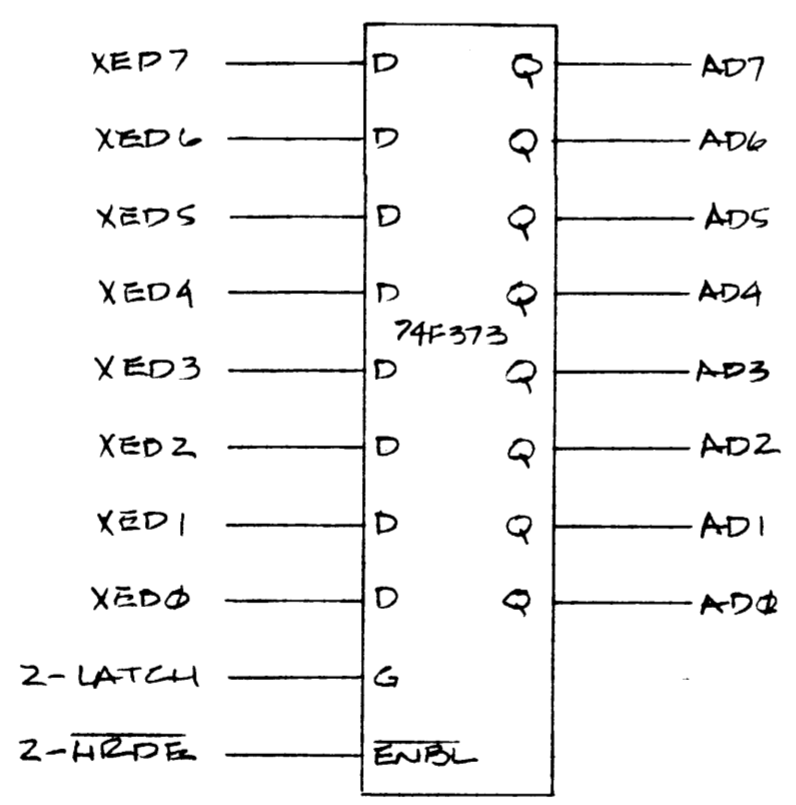
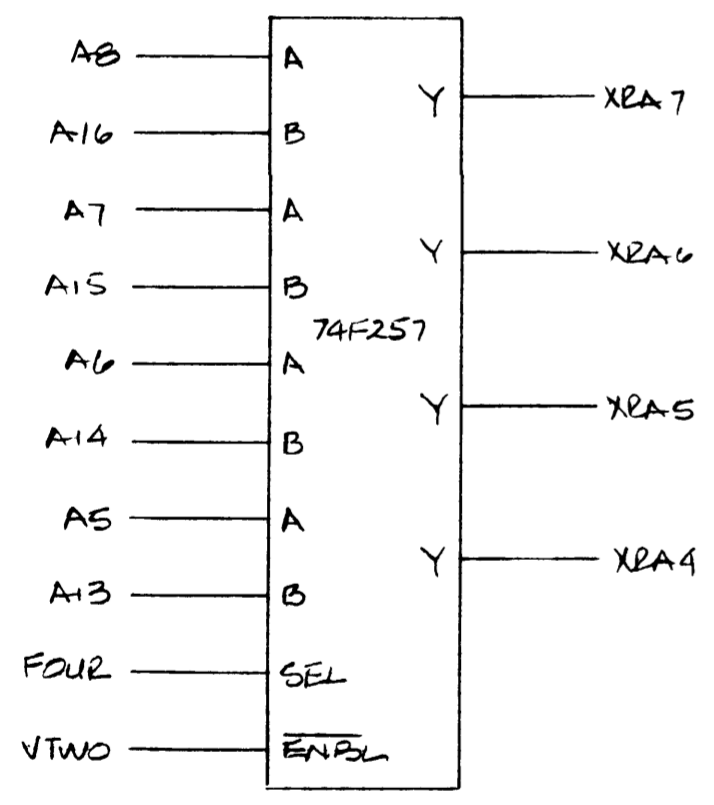
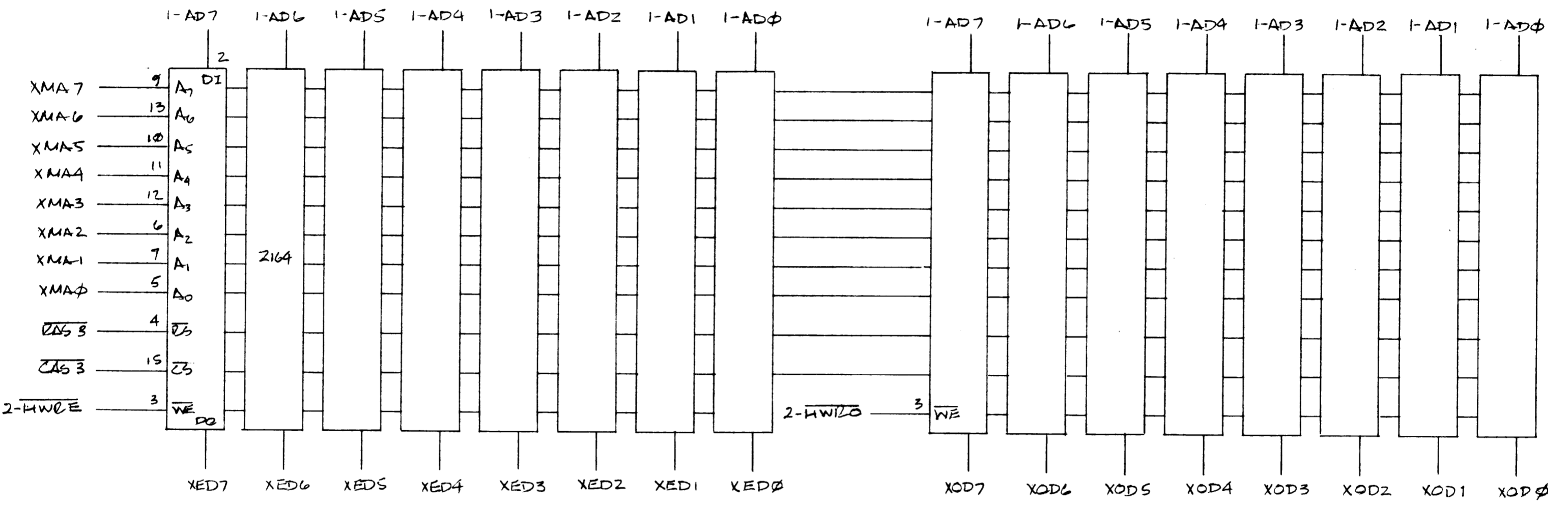
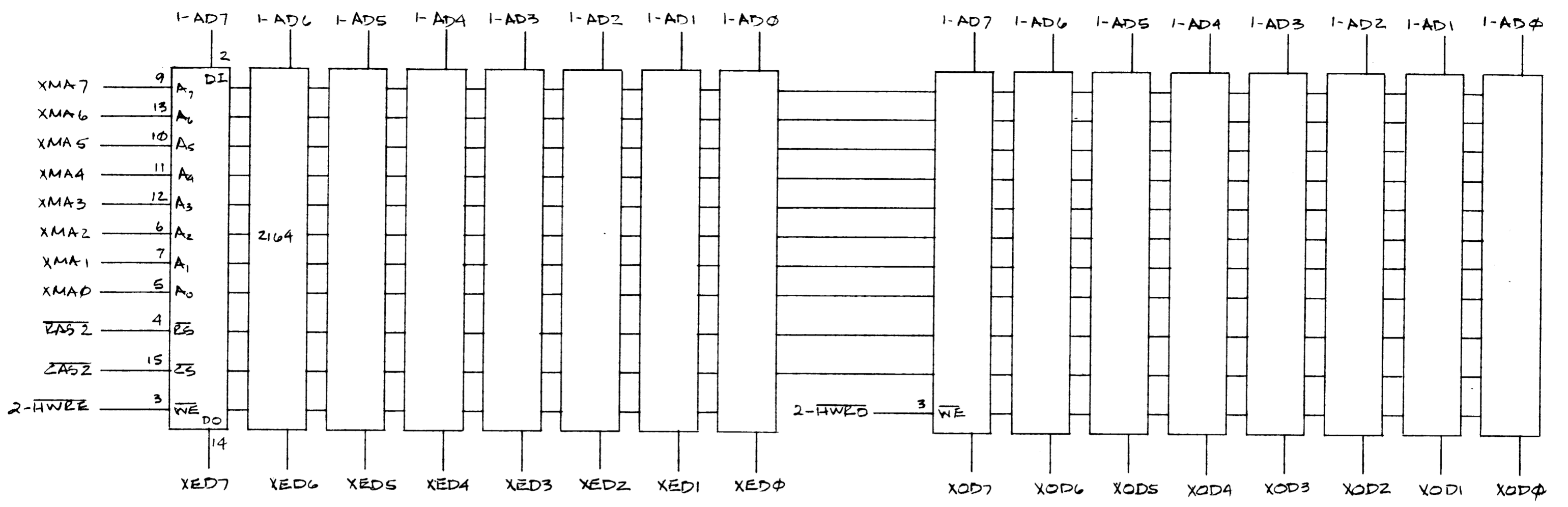
COPYRIGHT 1984 MORROW INC



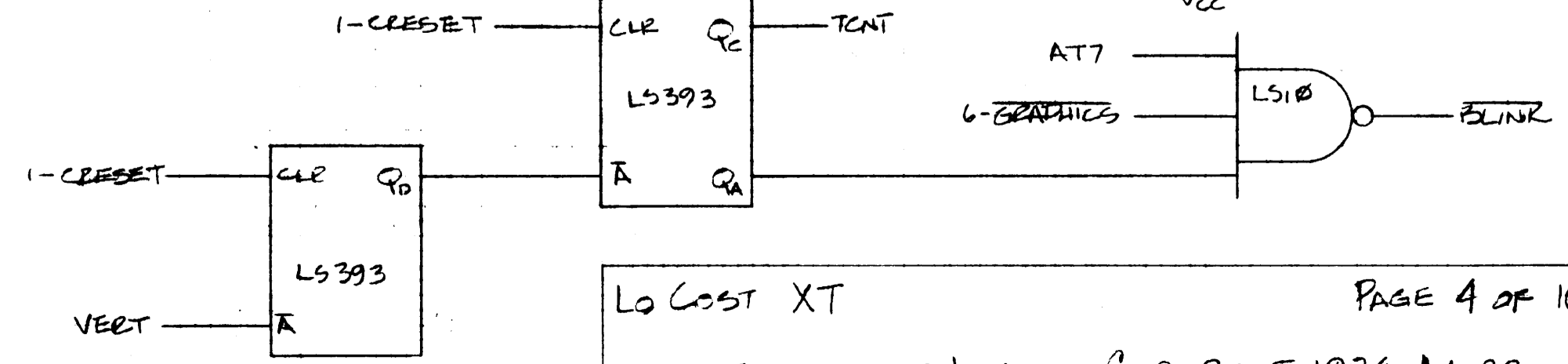
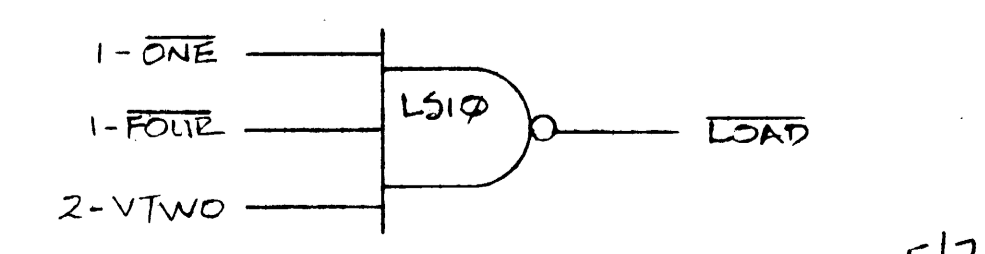
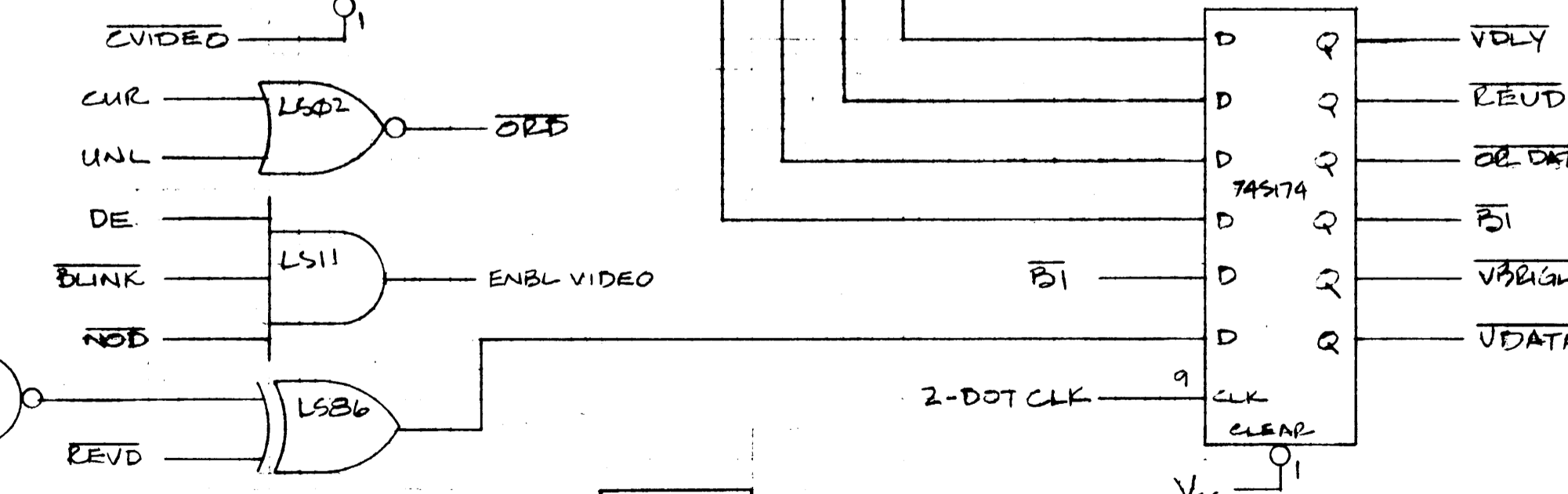
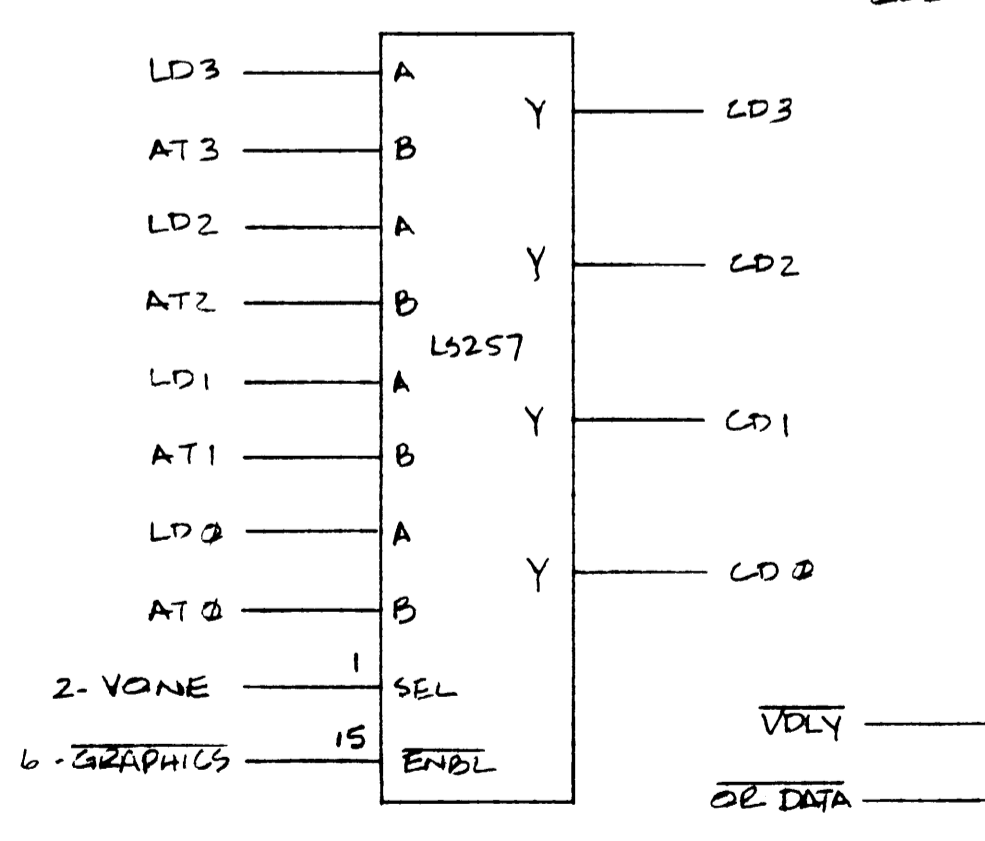
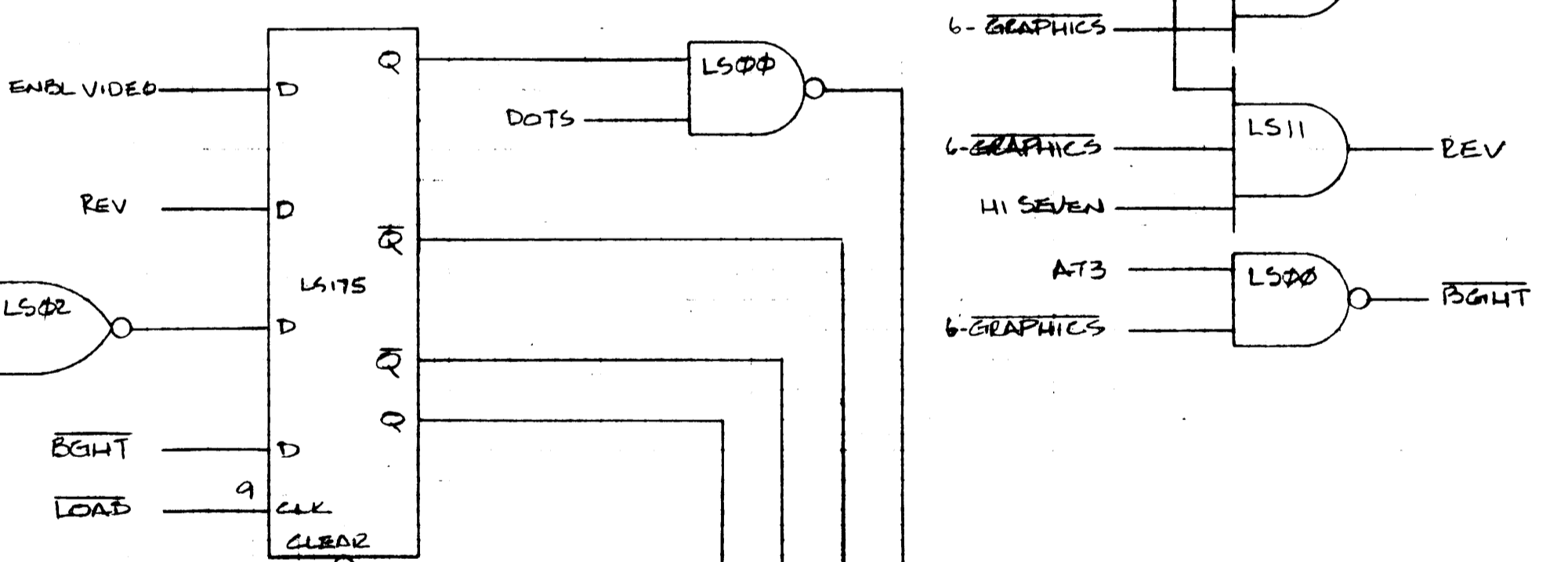
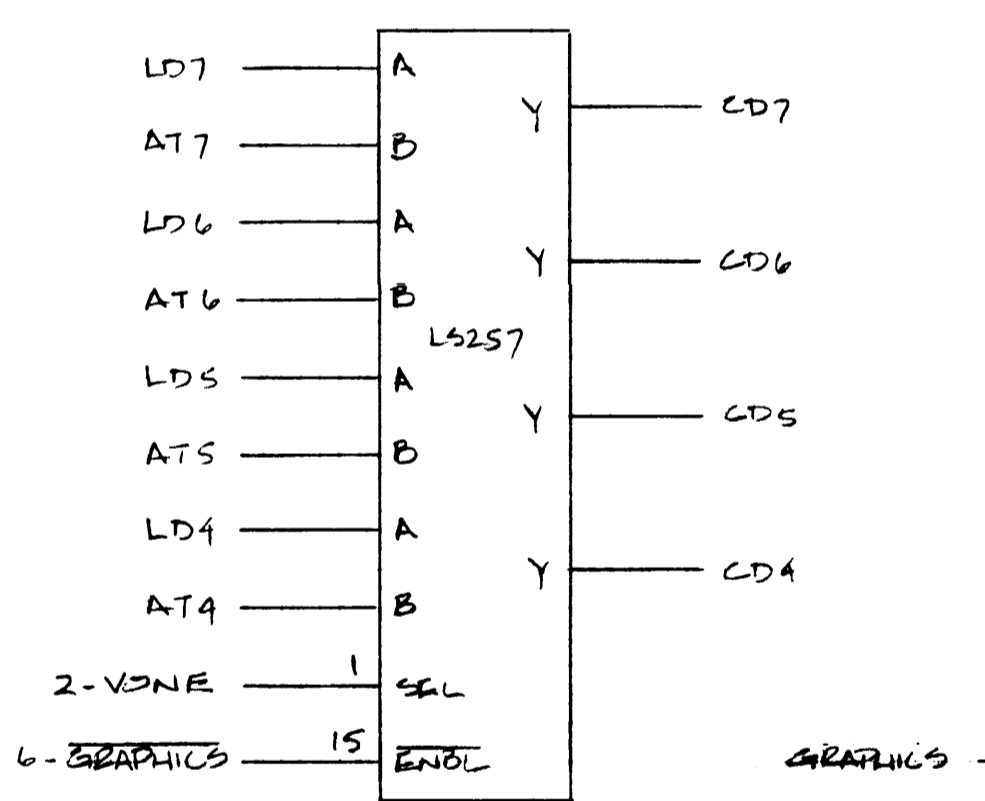
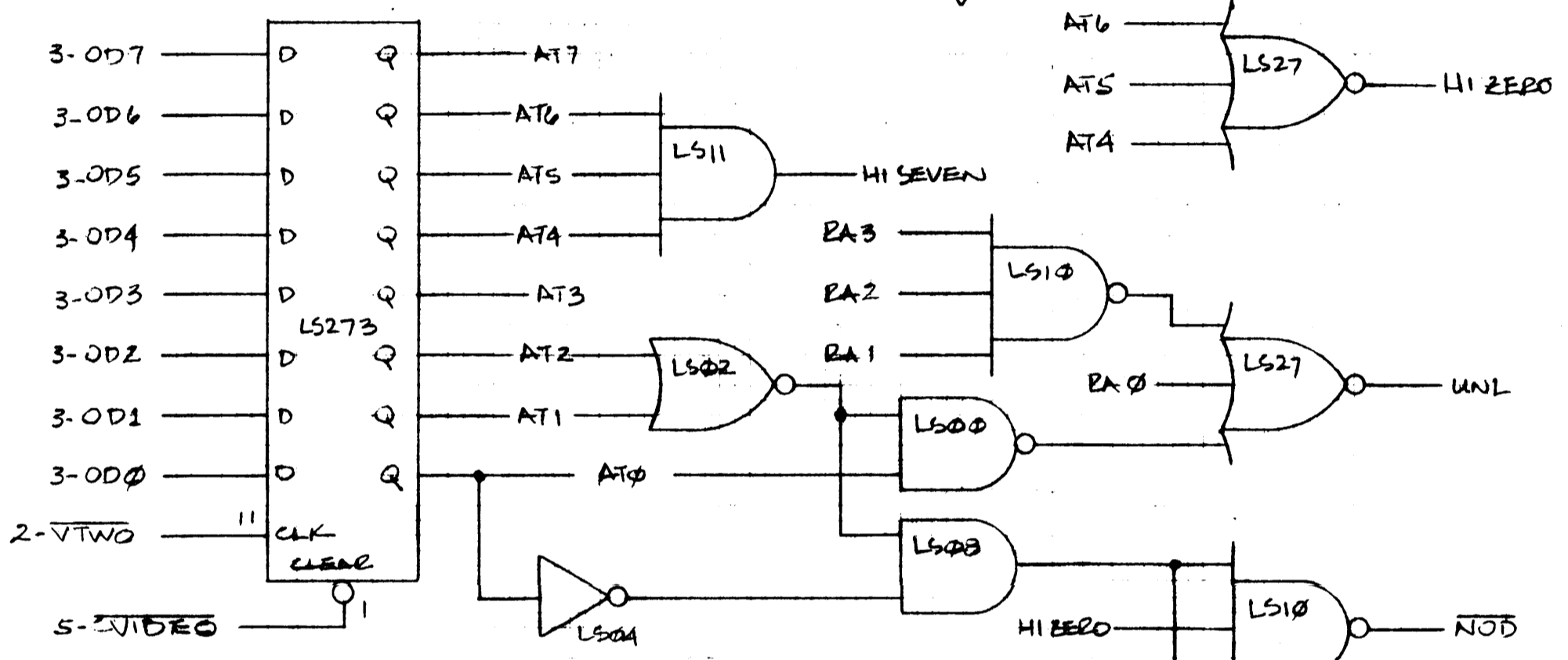
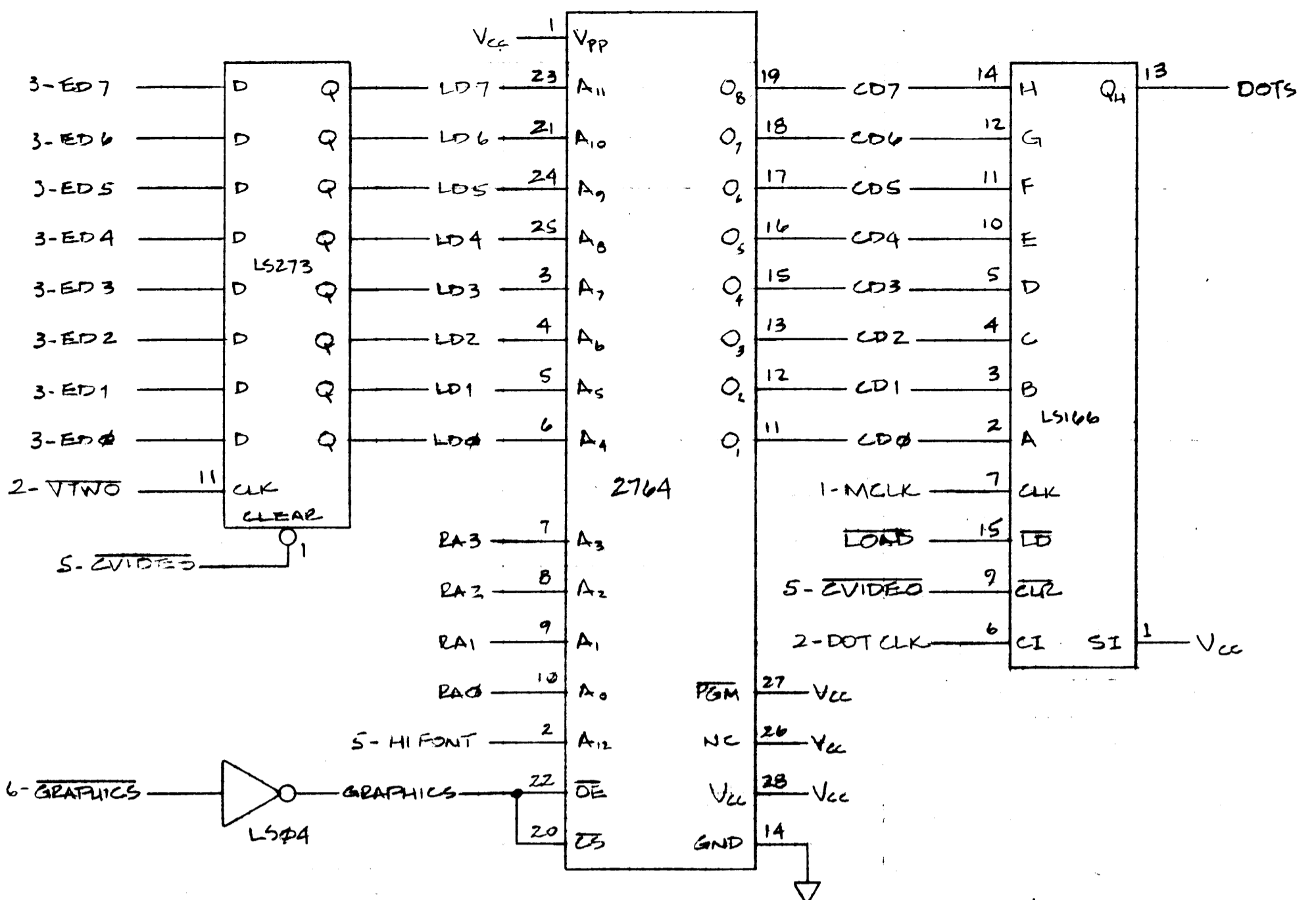
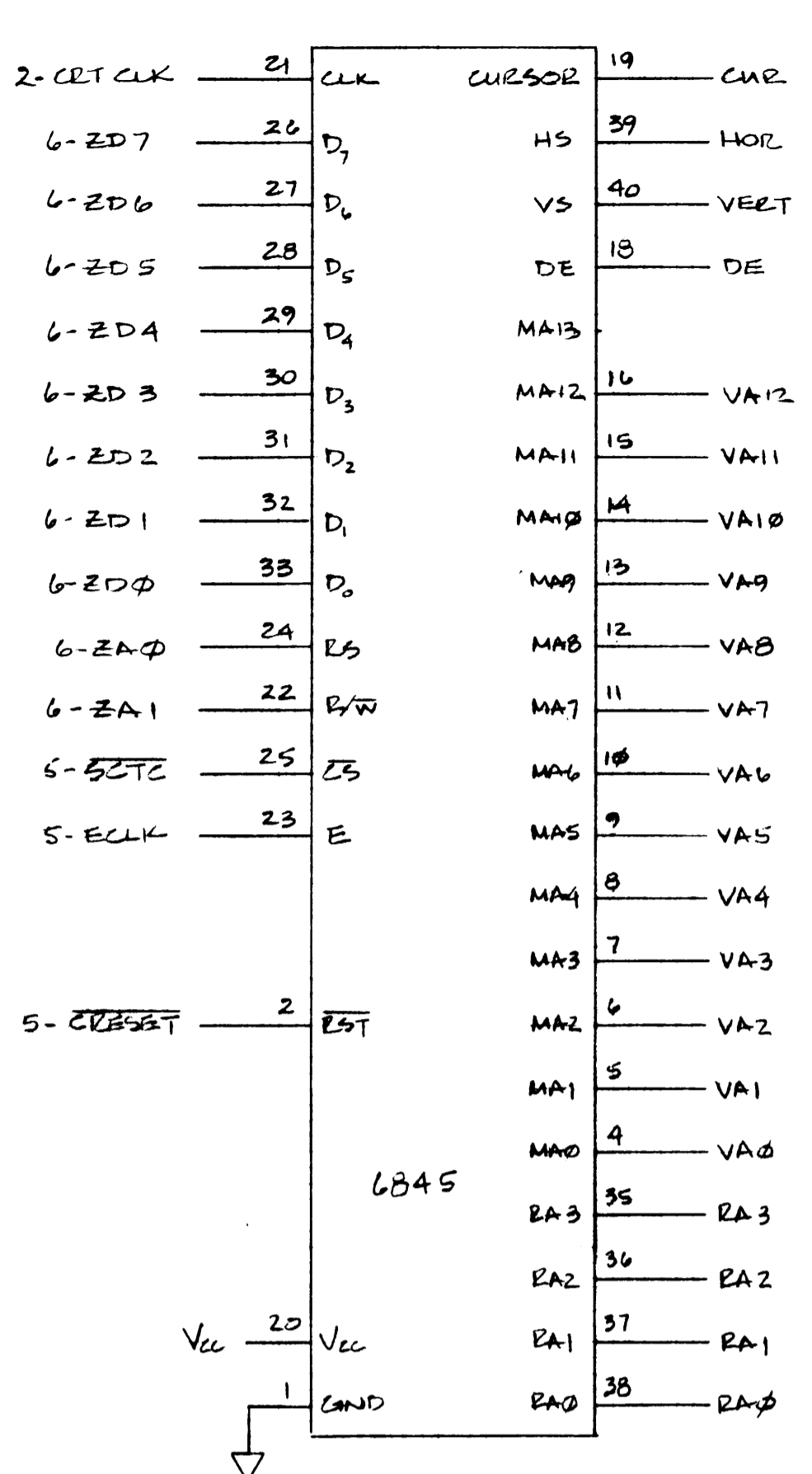
517/84



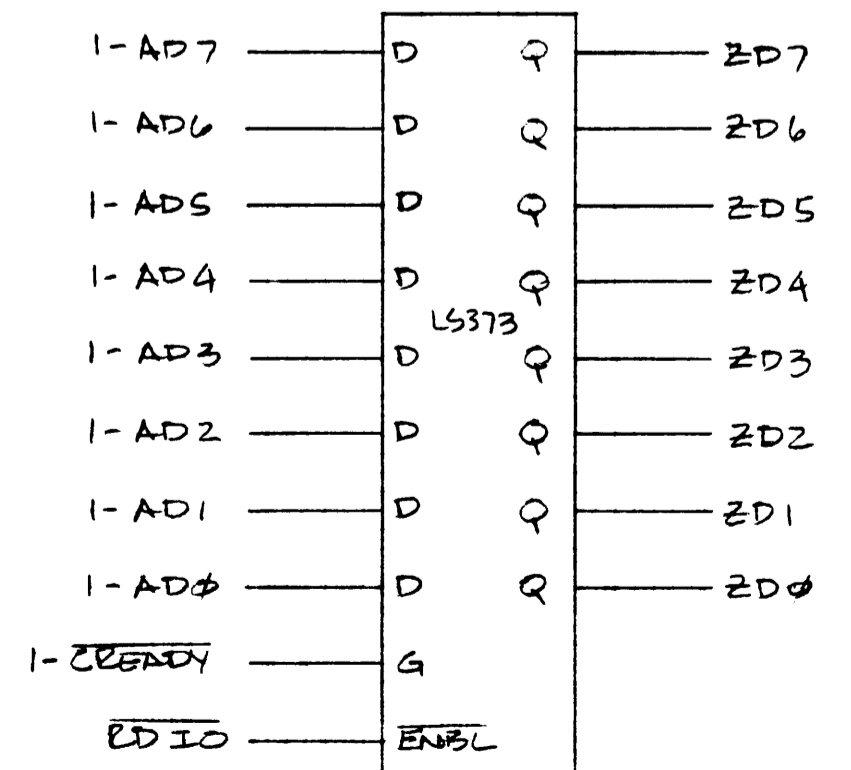
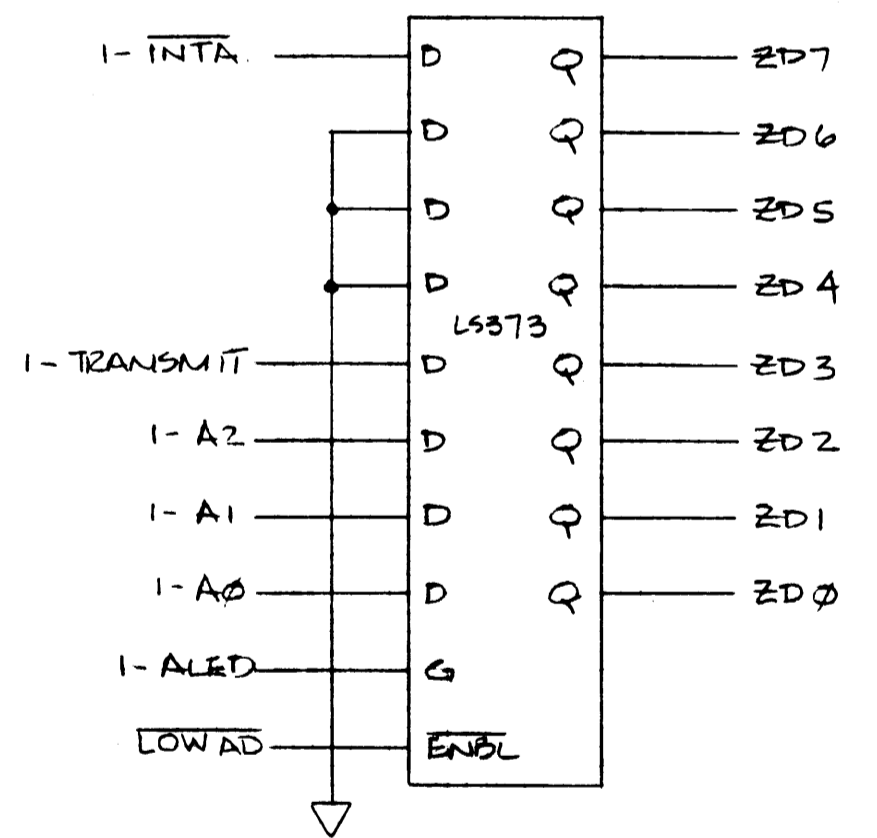
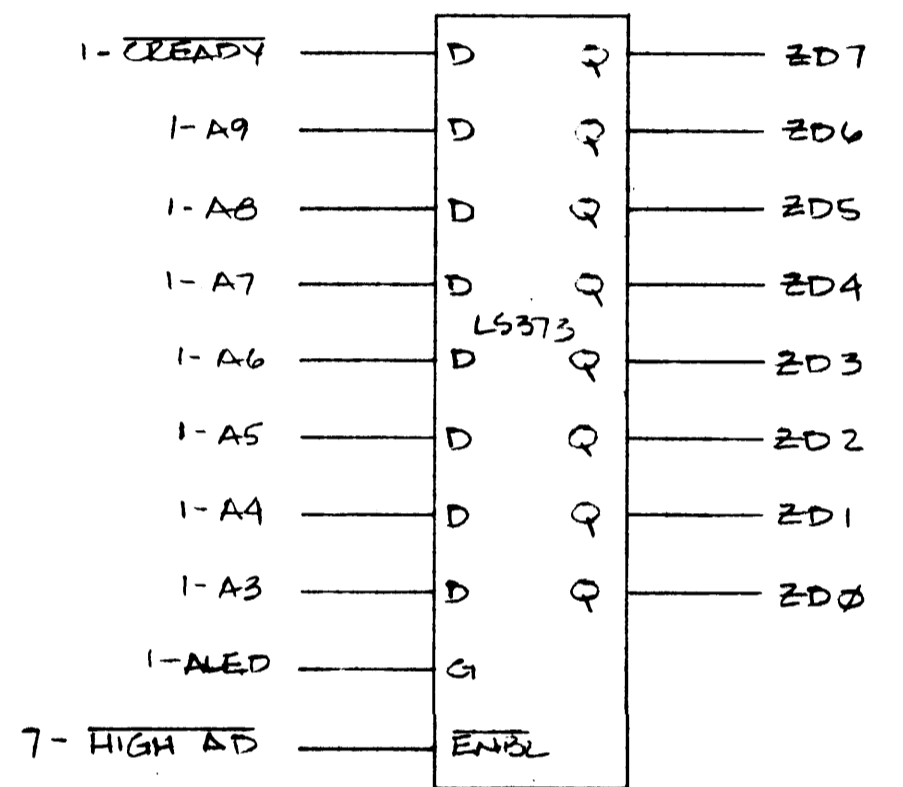
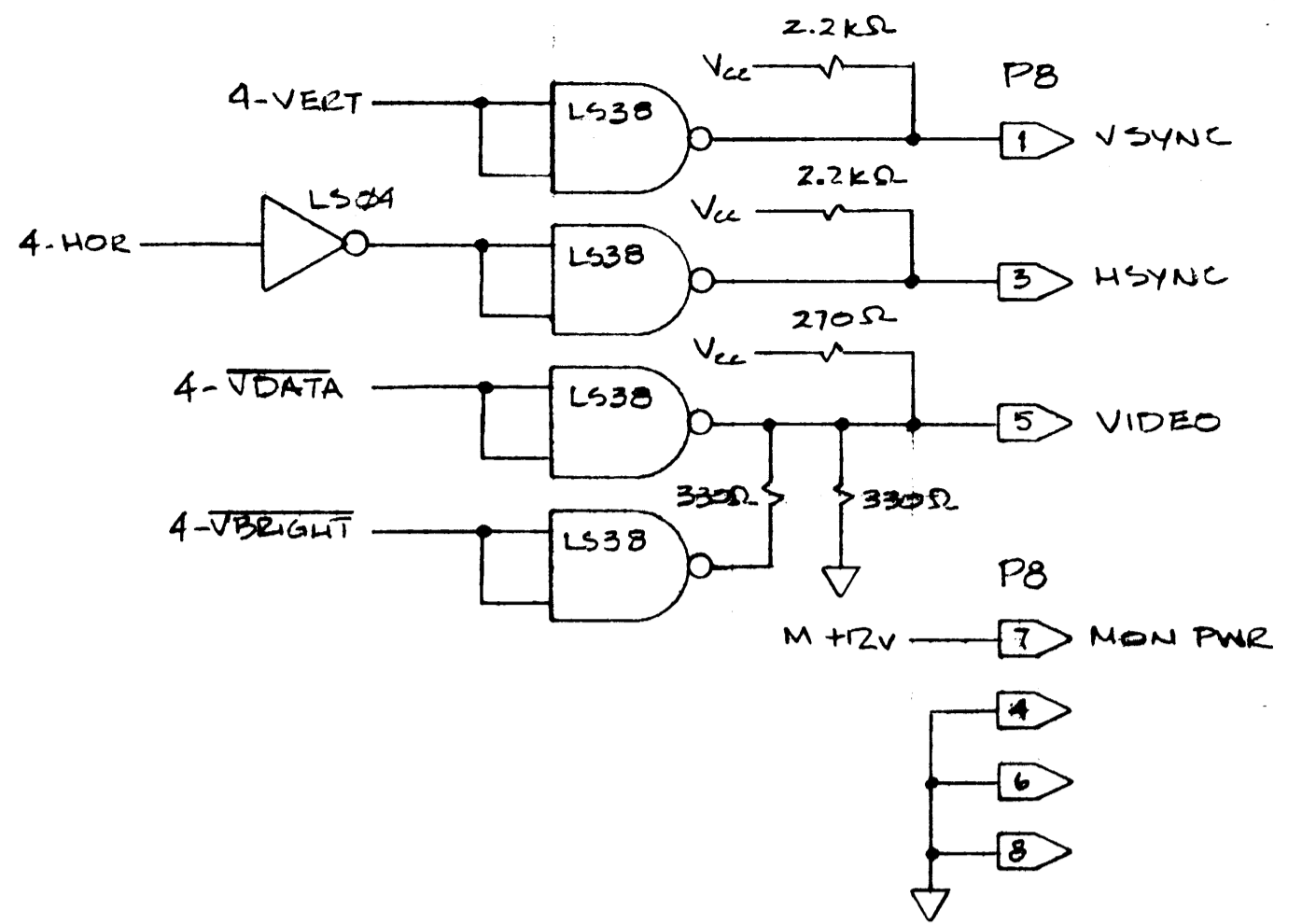
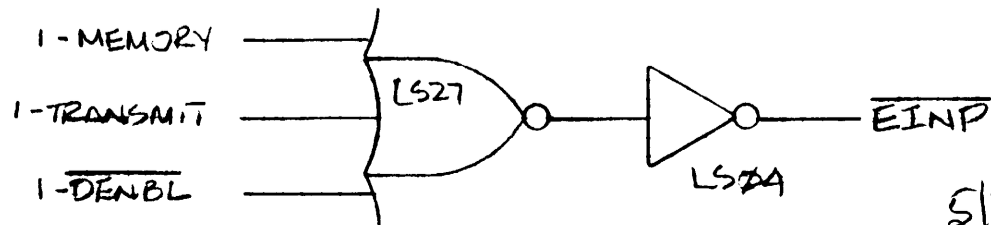
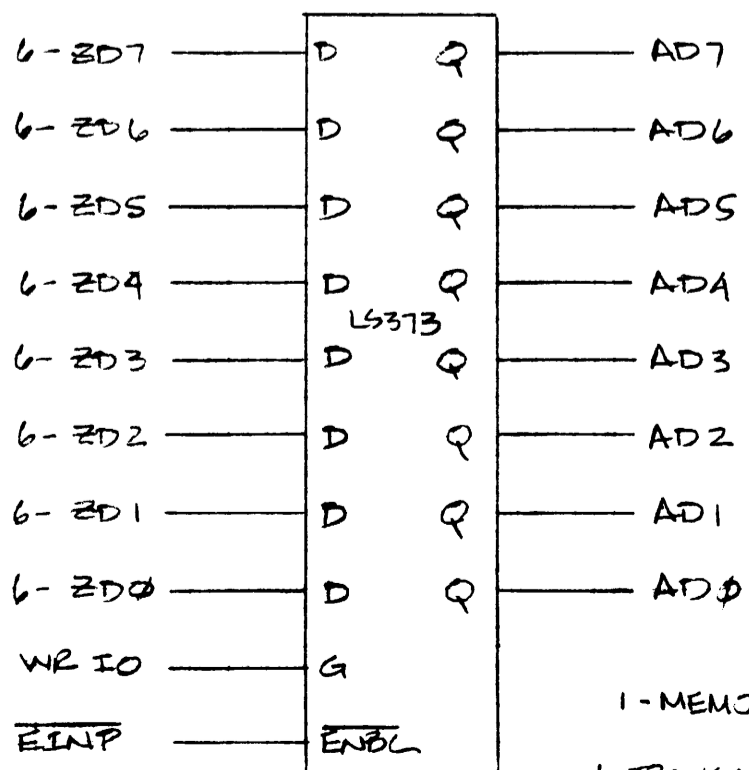
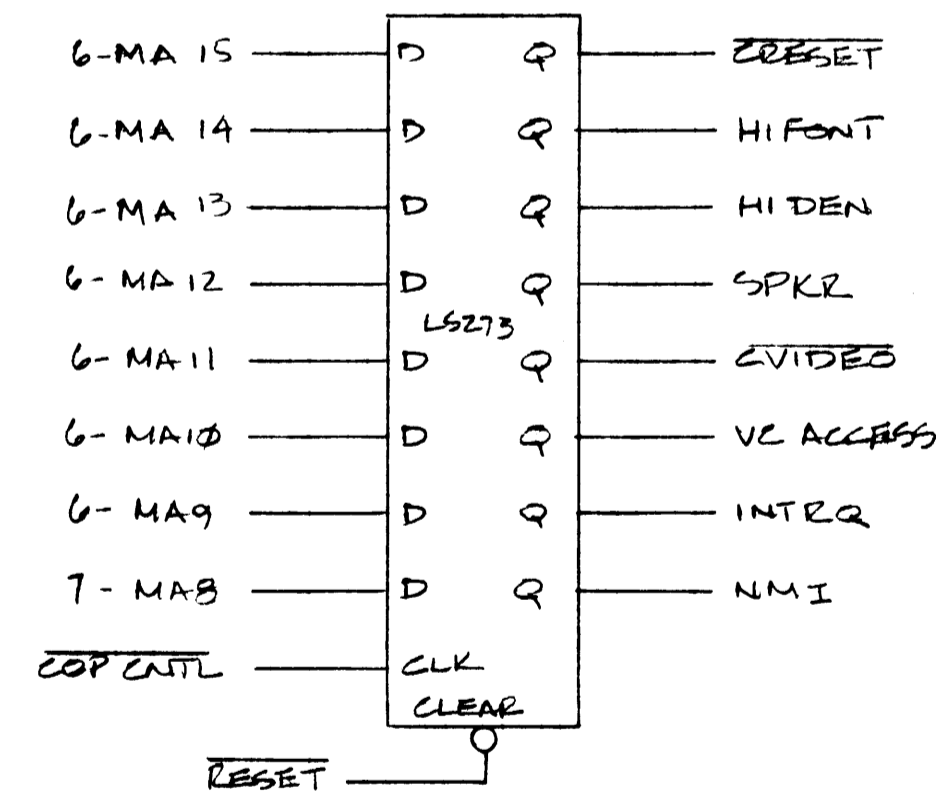
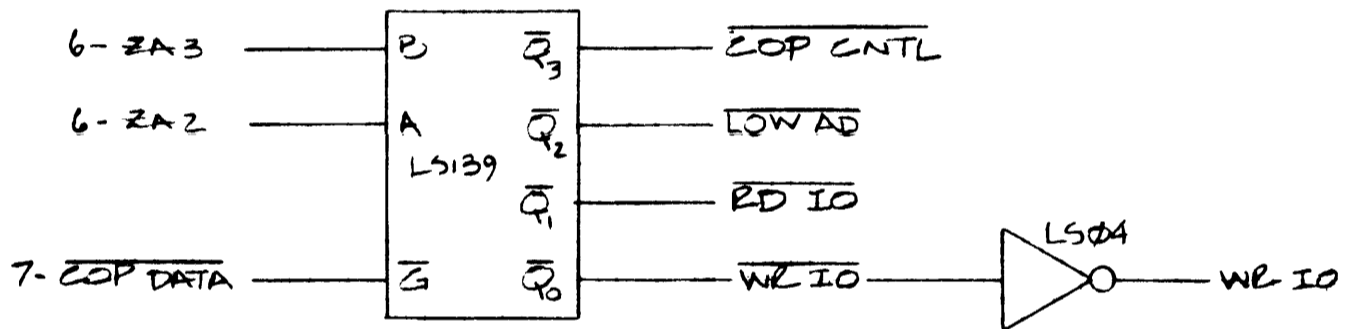
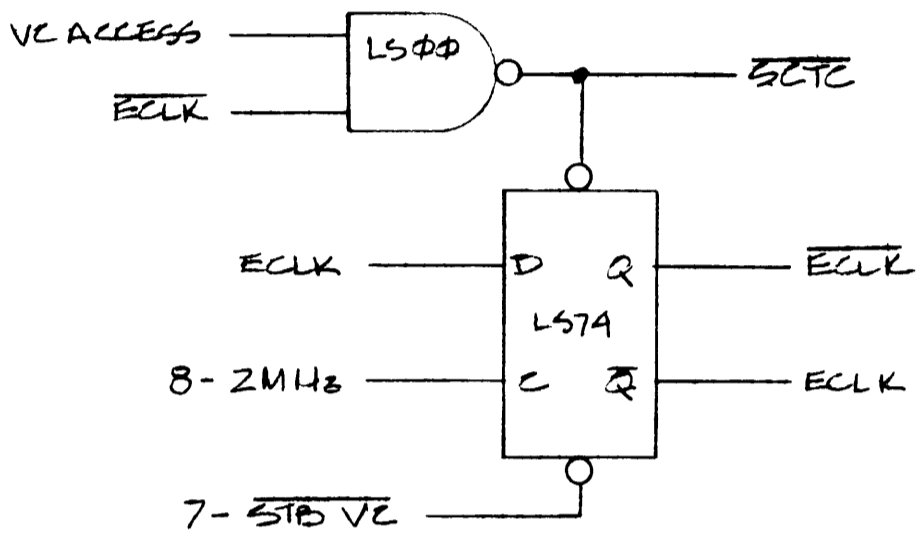
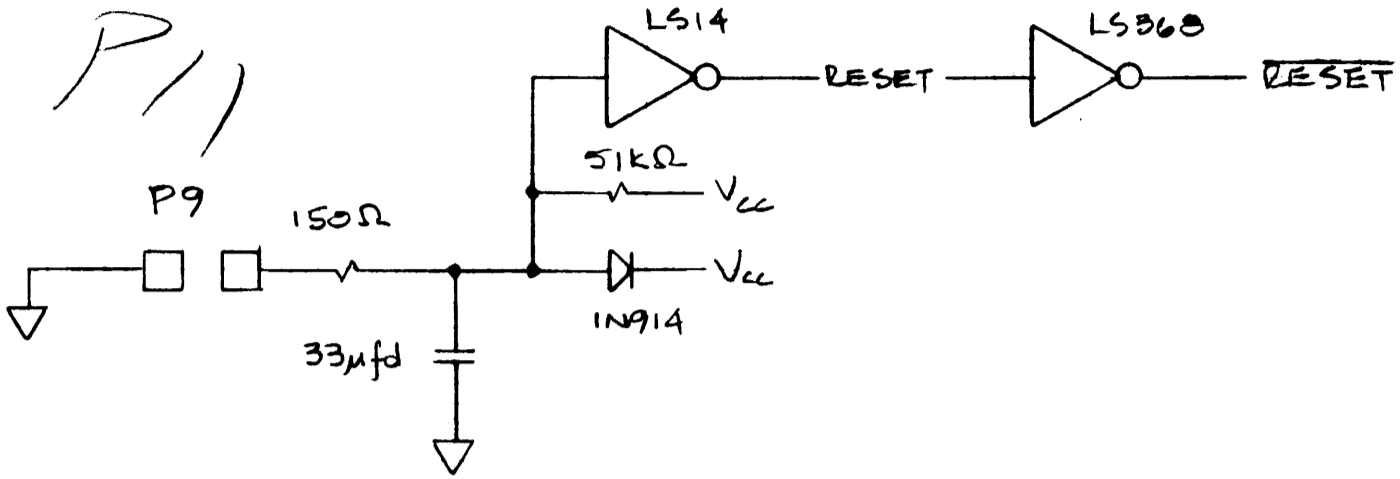
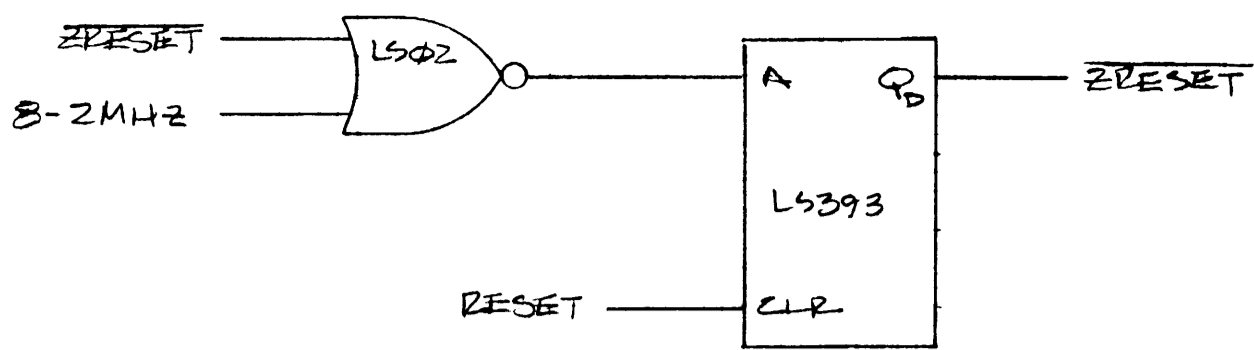
517/84

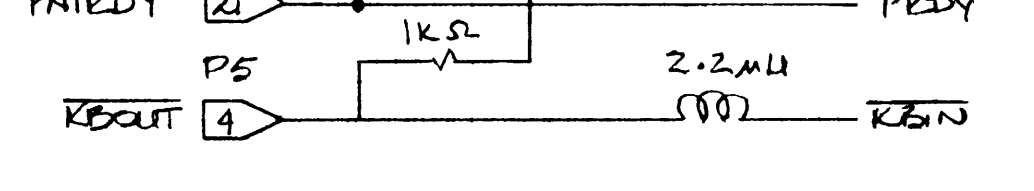
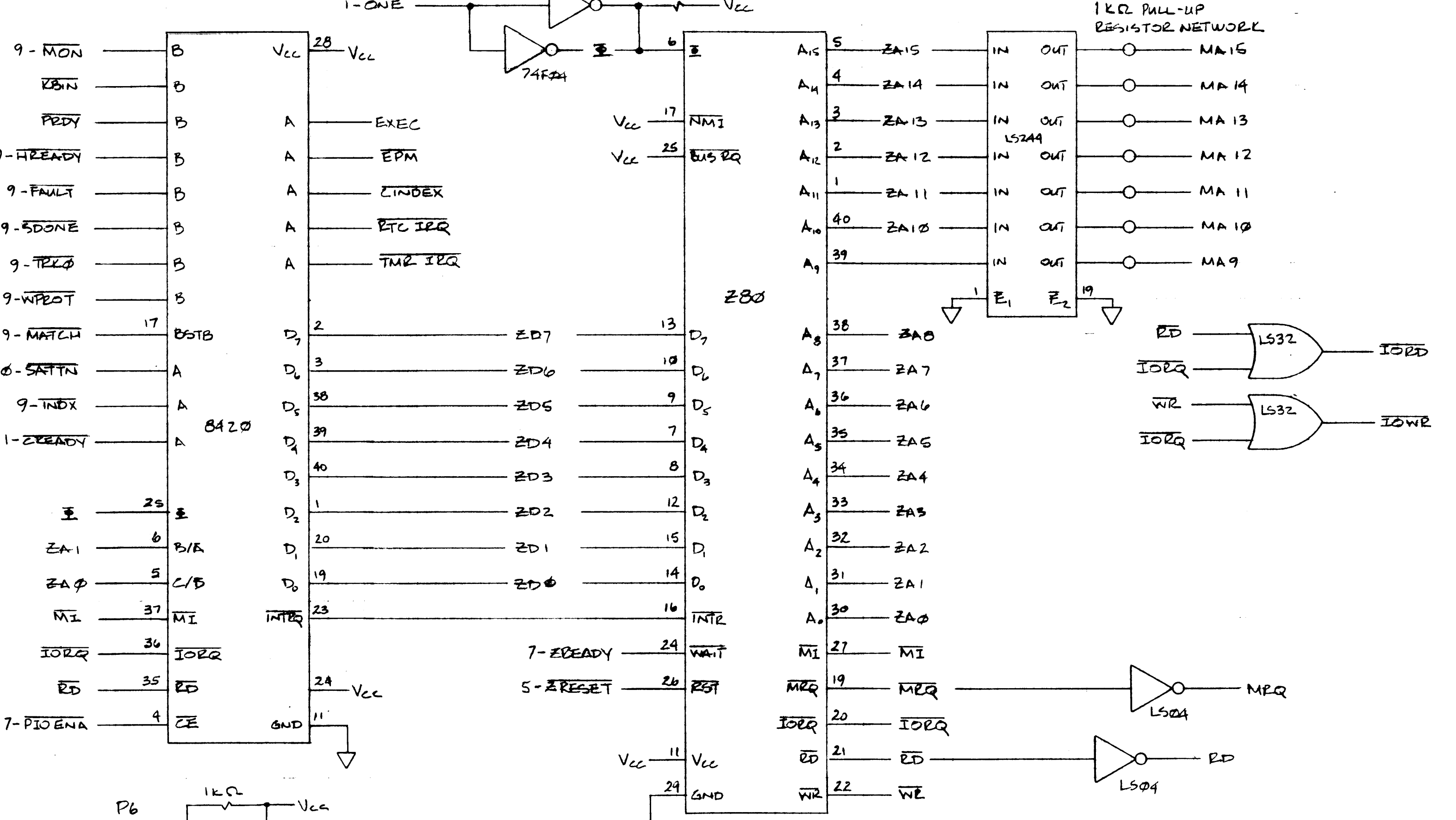
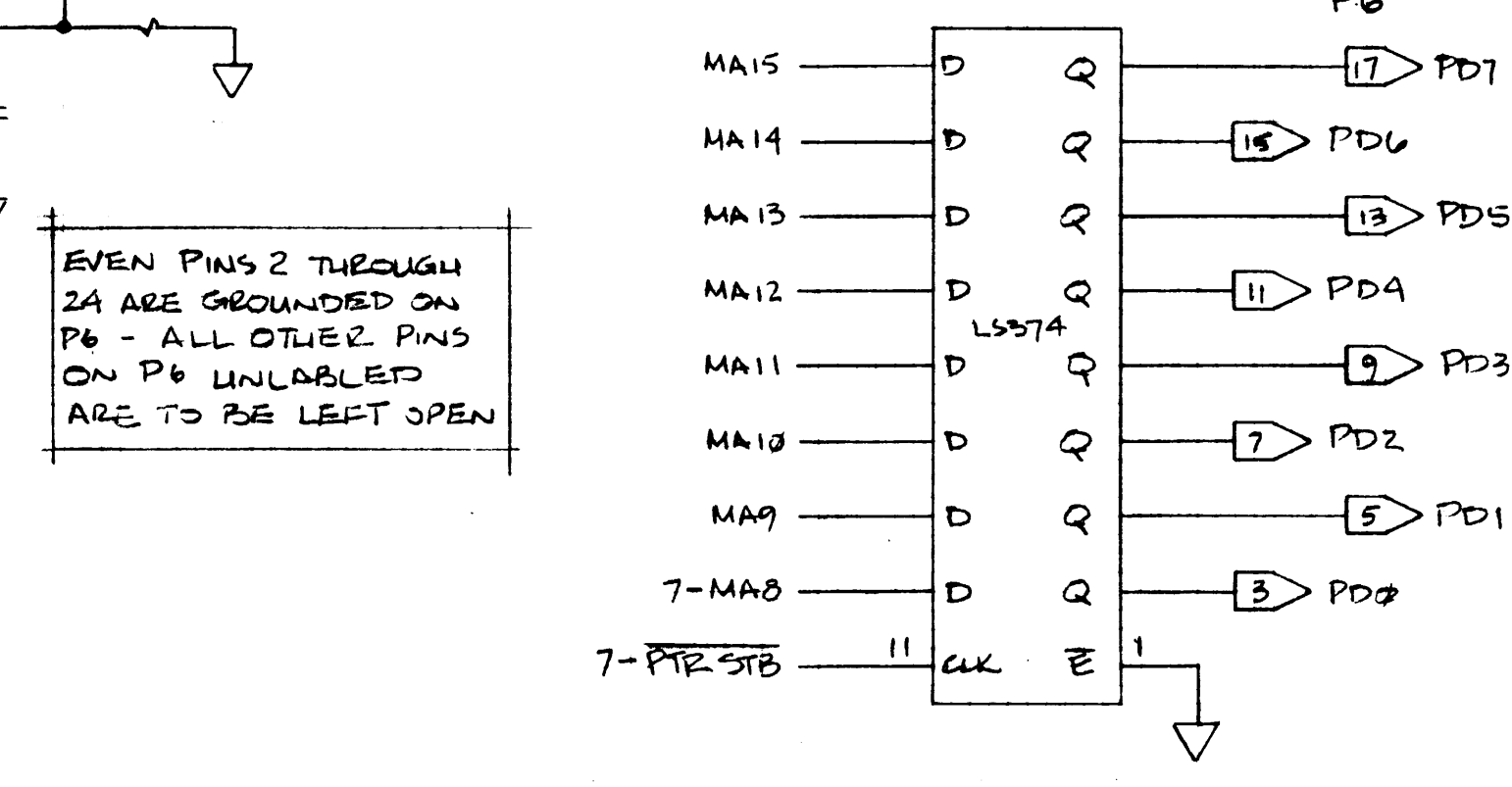
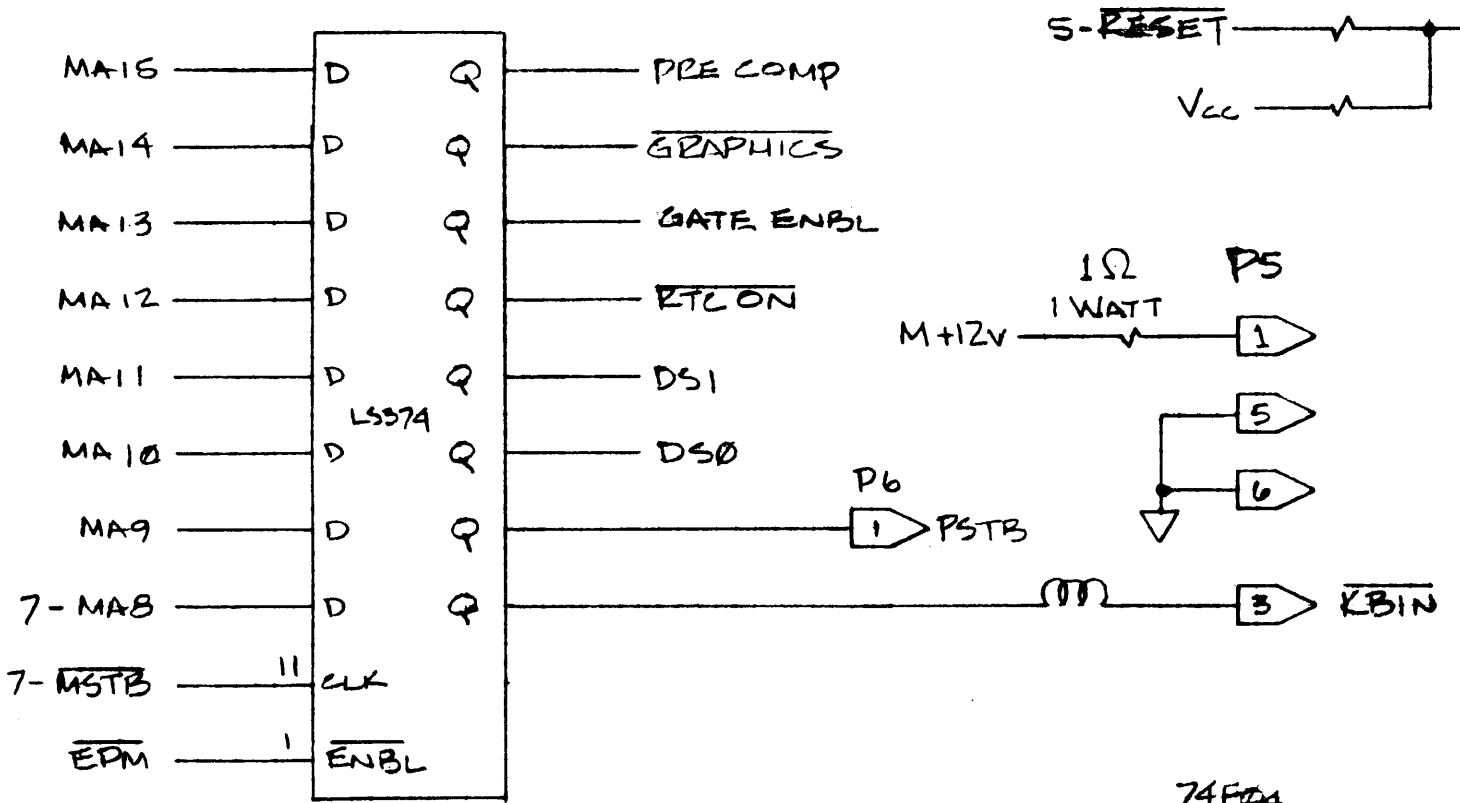
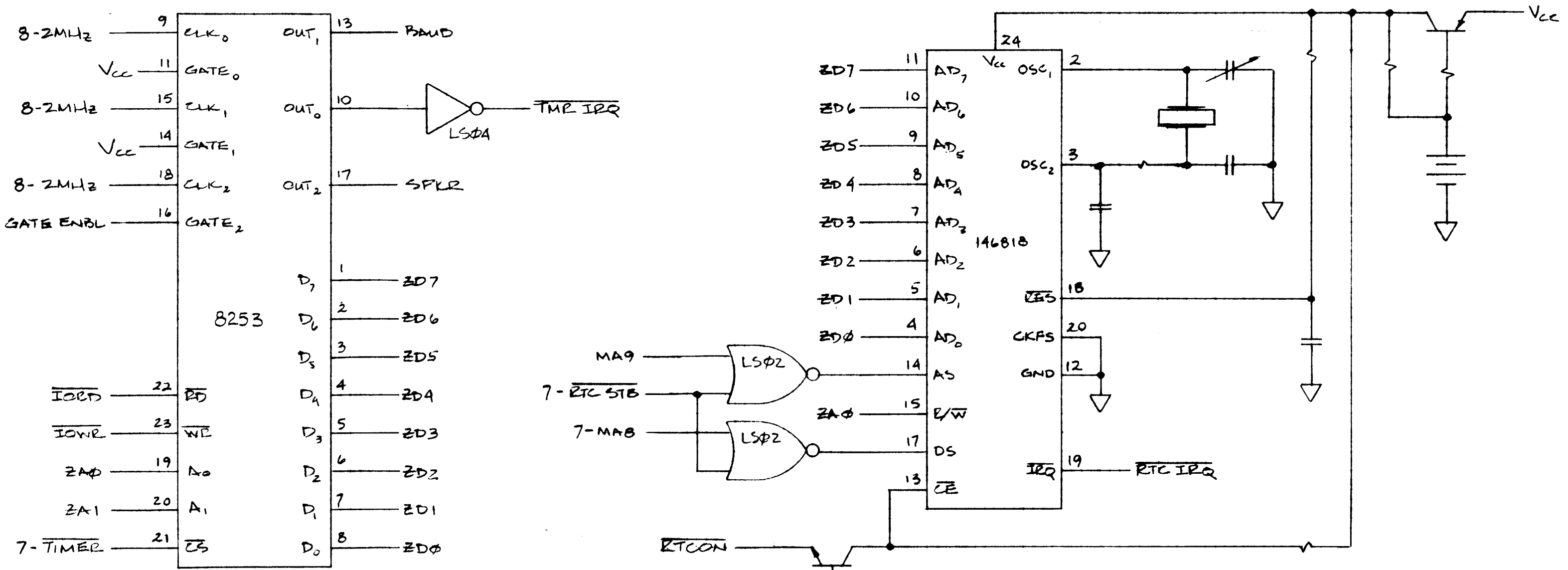


517184

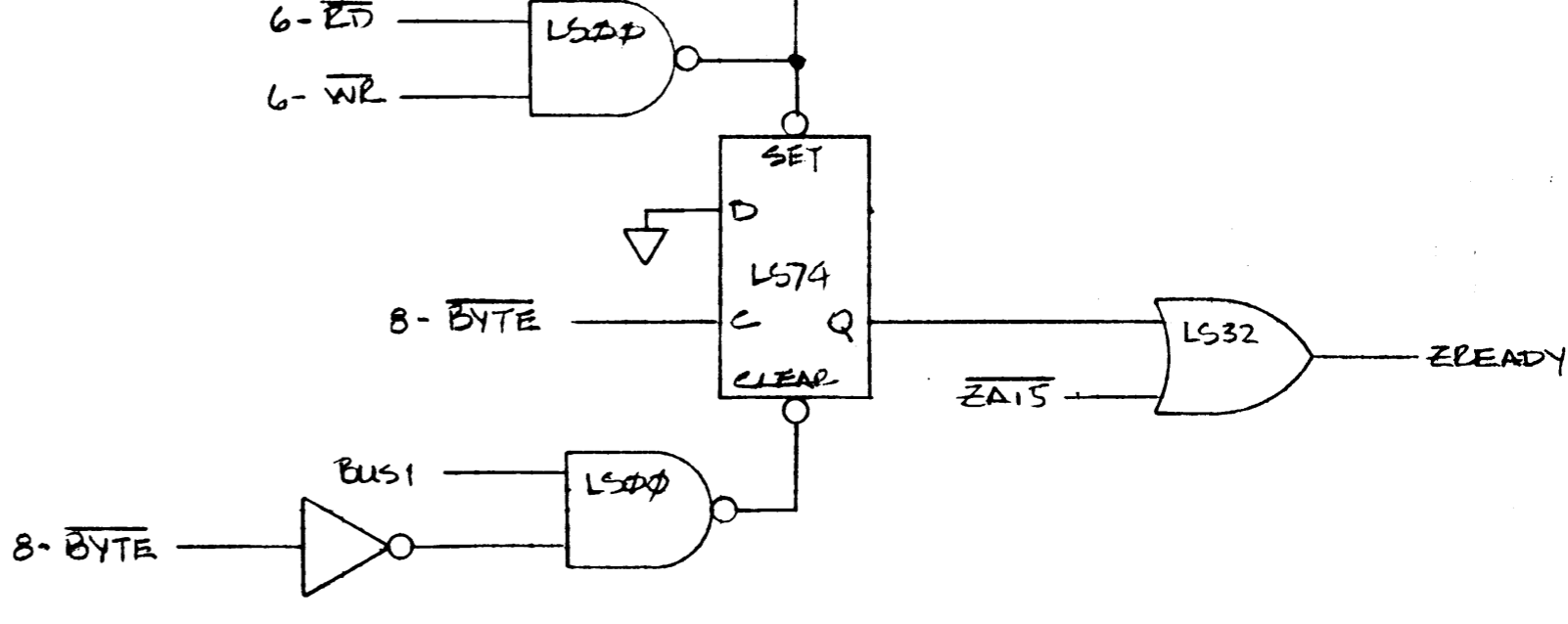
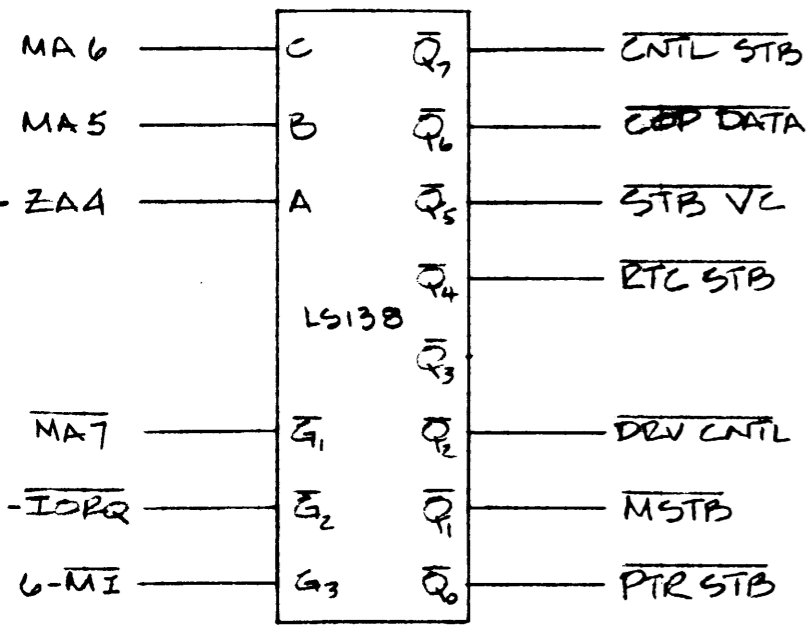
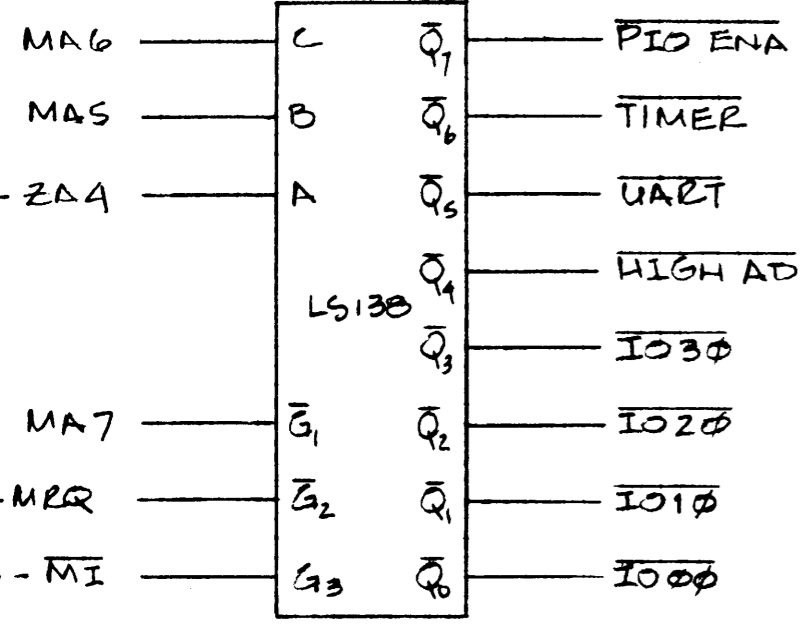
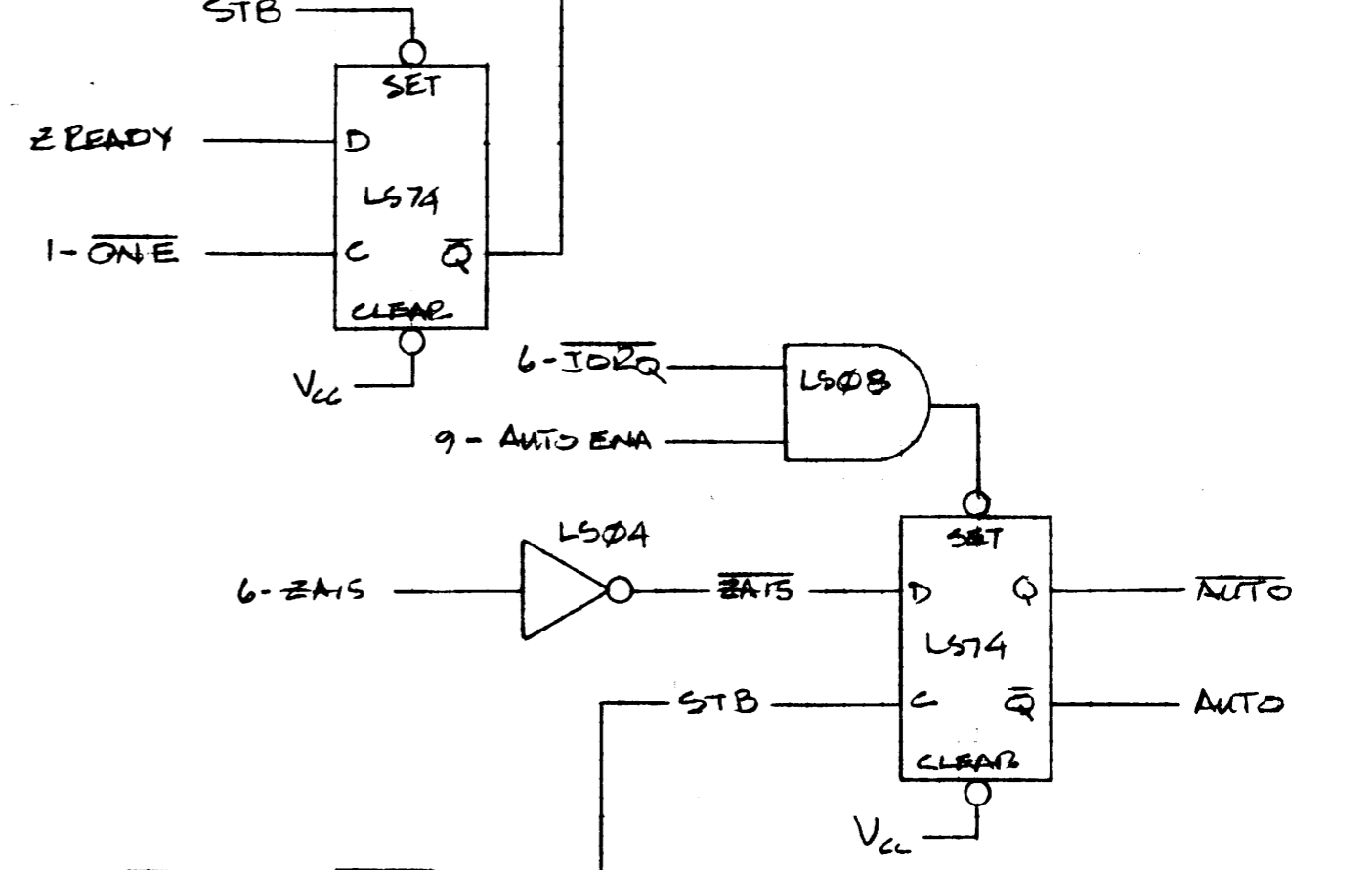
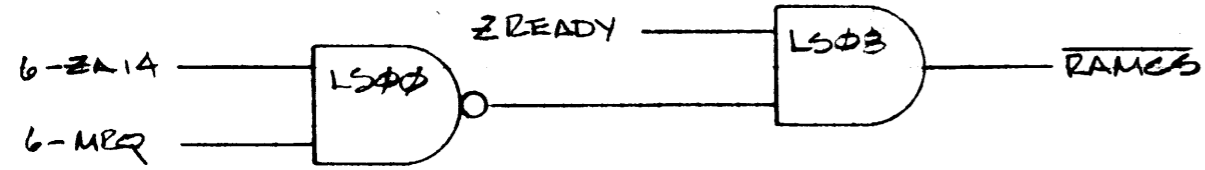
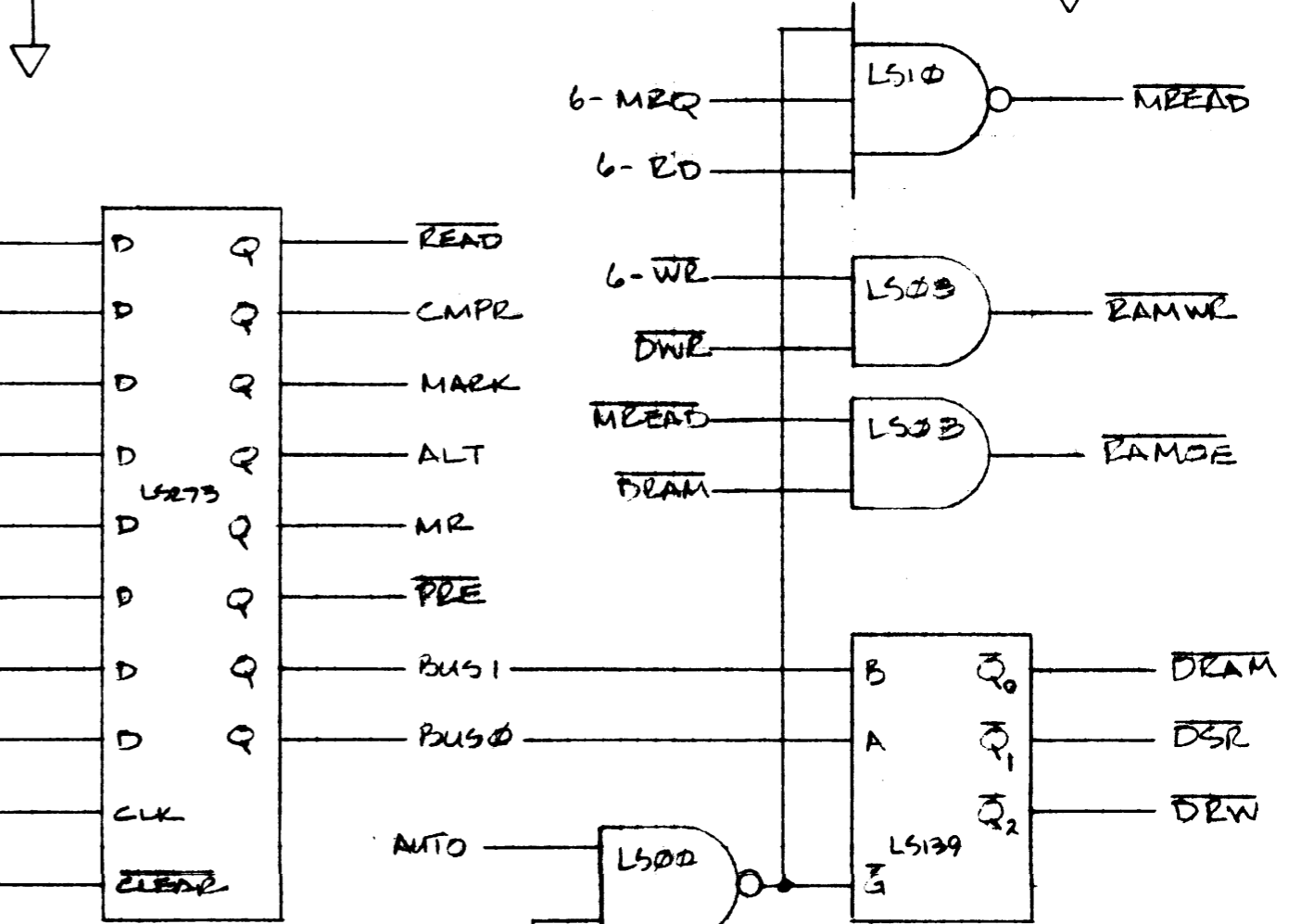
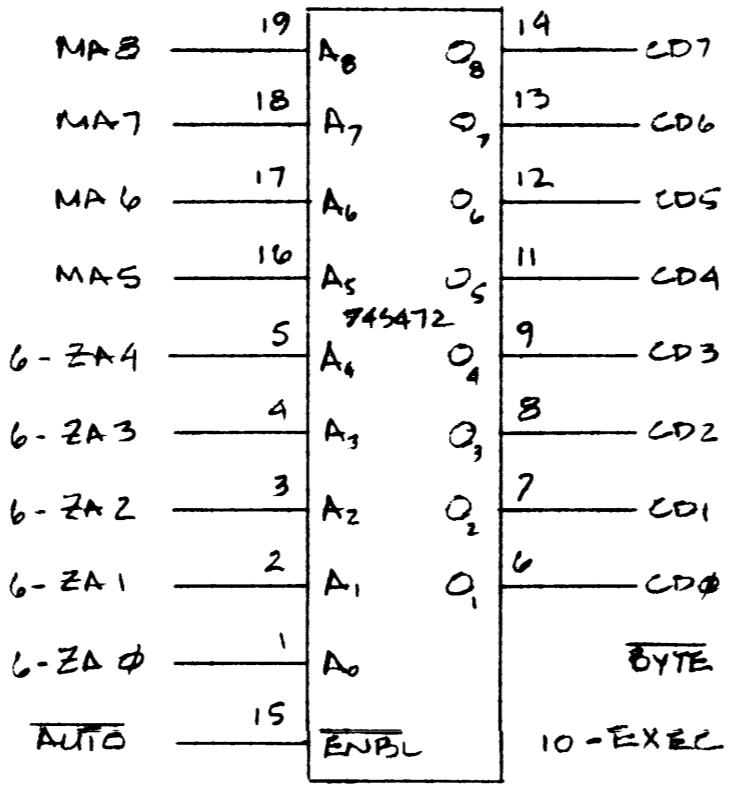
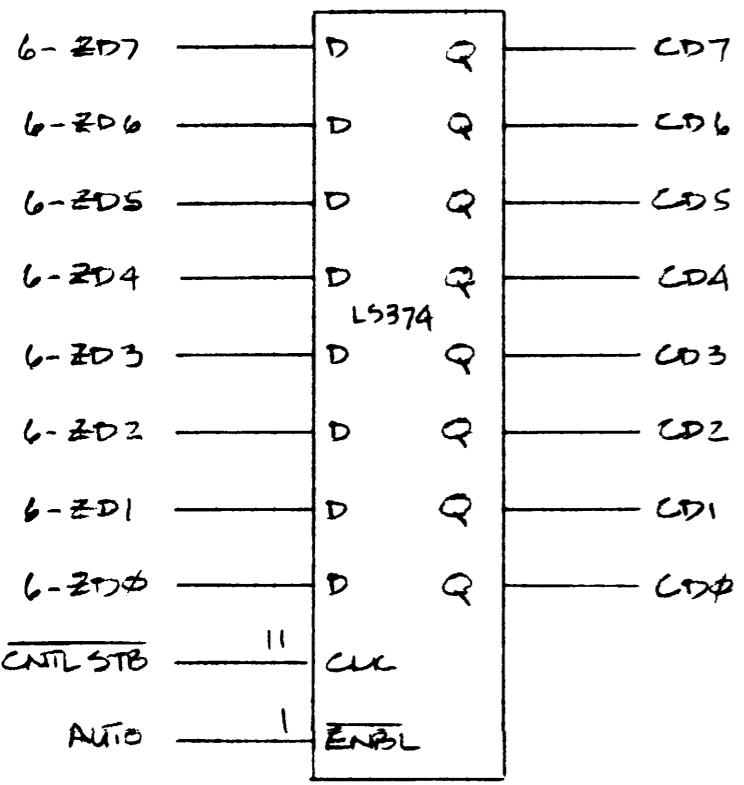
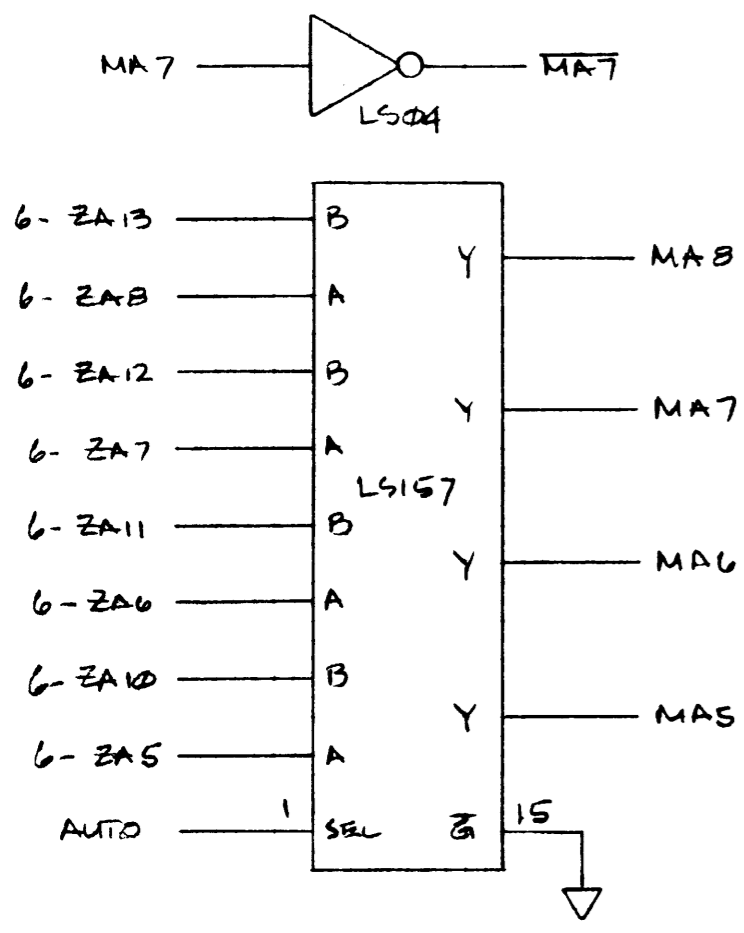
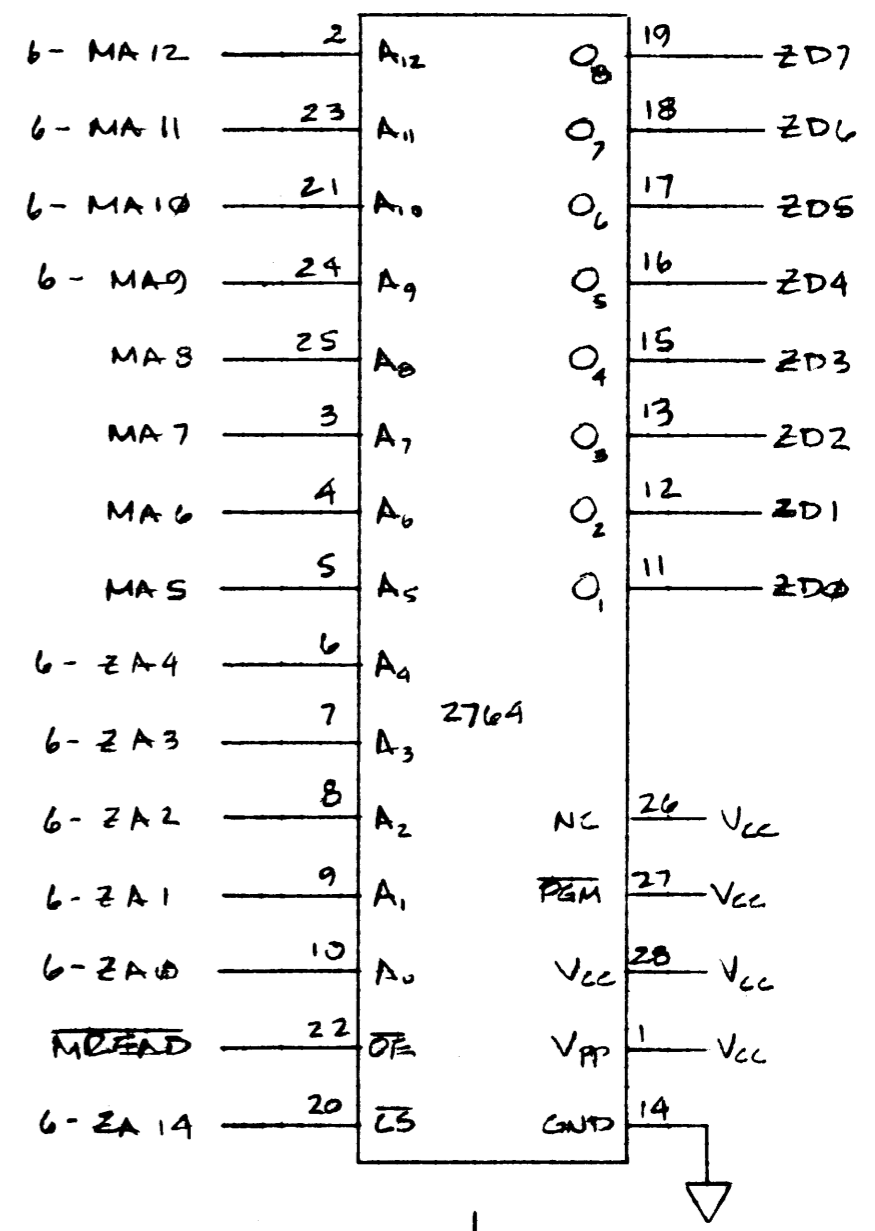
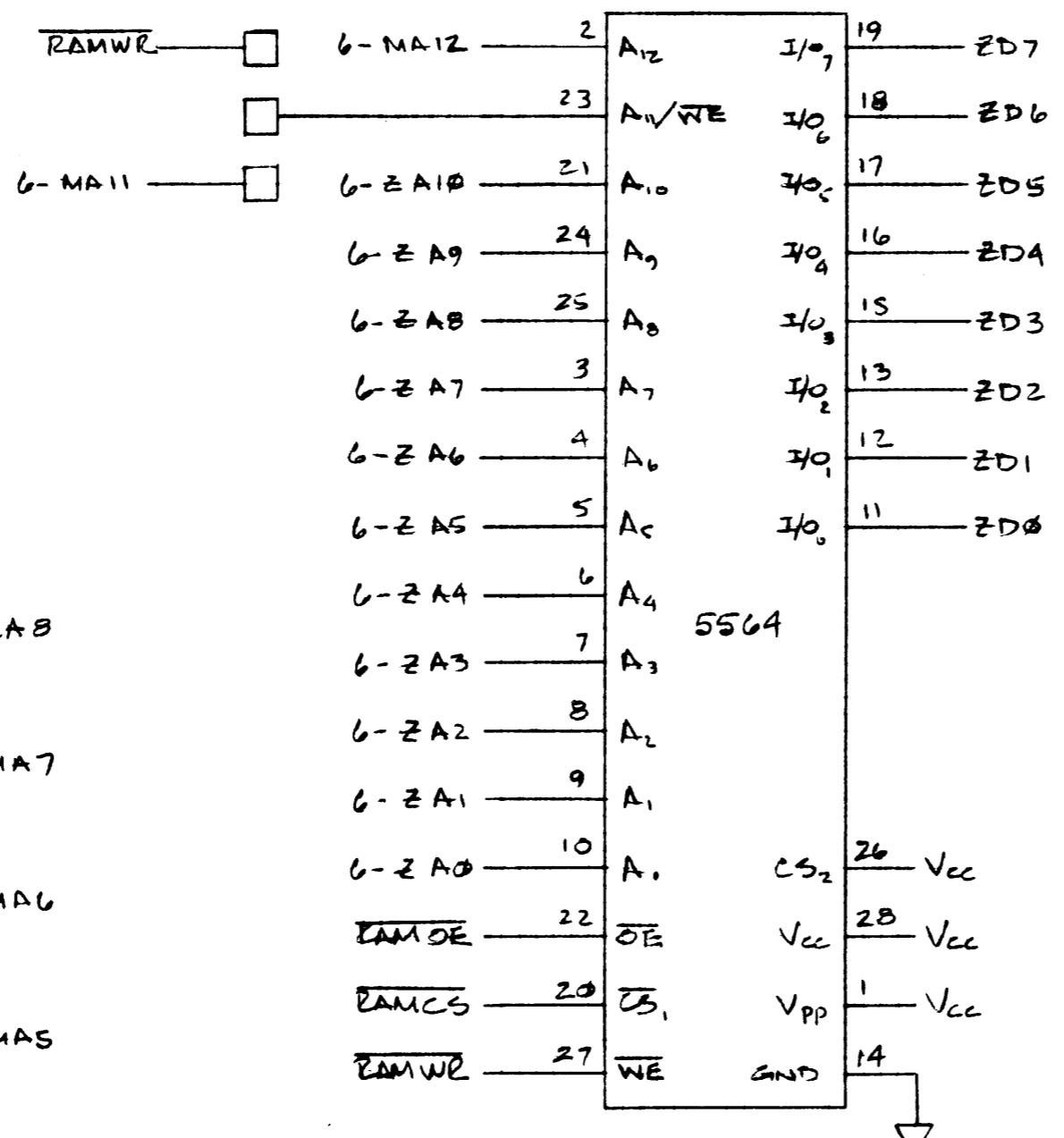


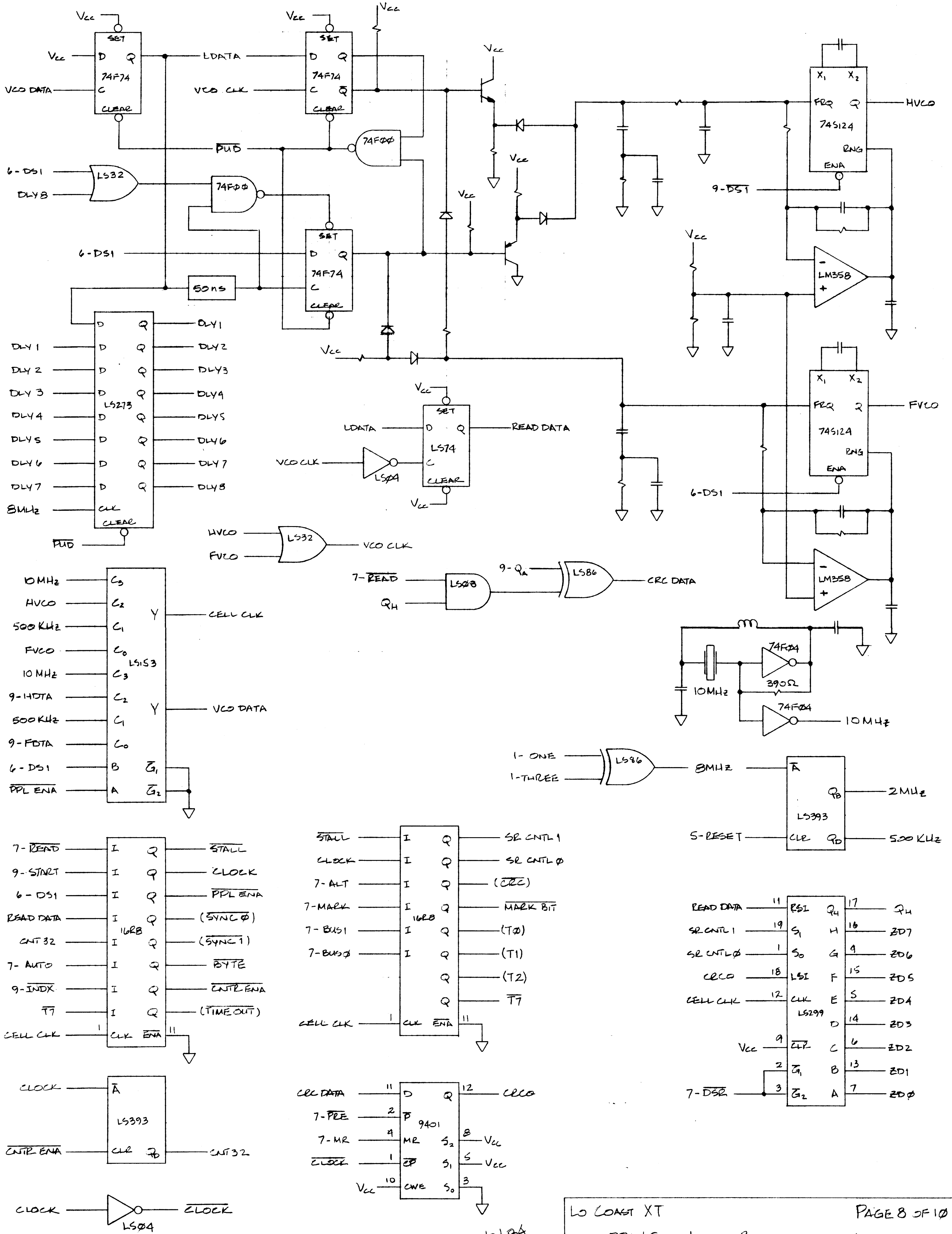
5/7/84



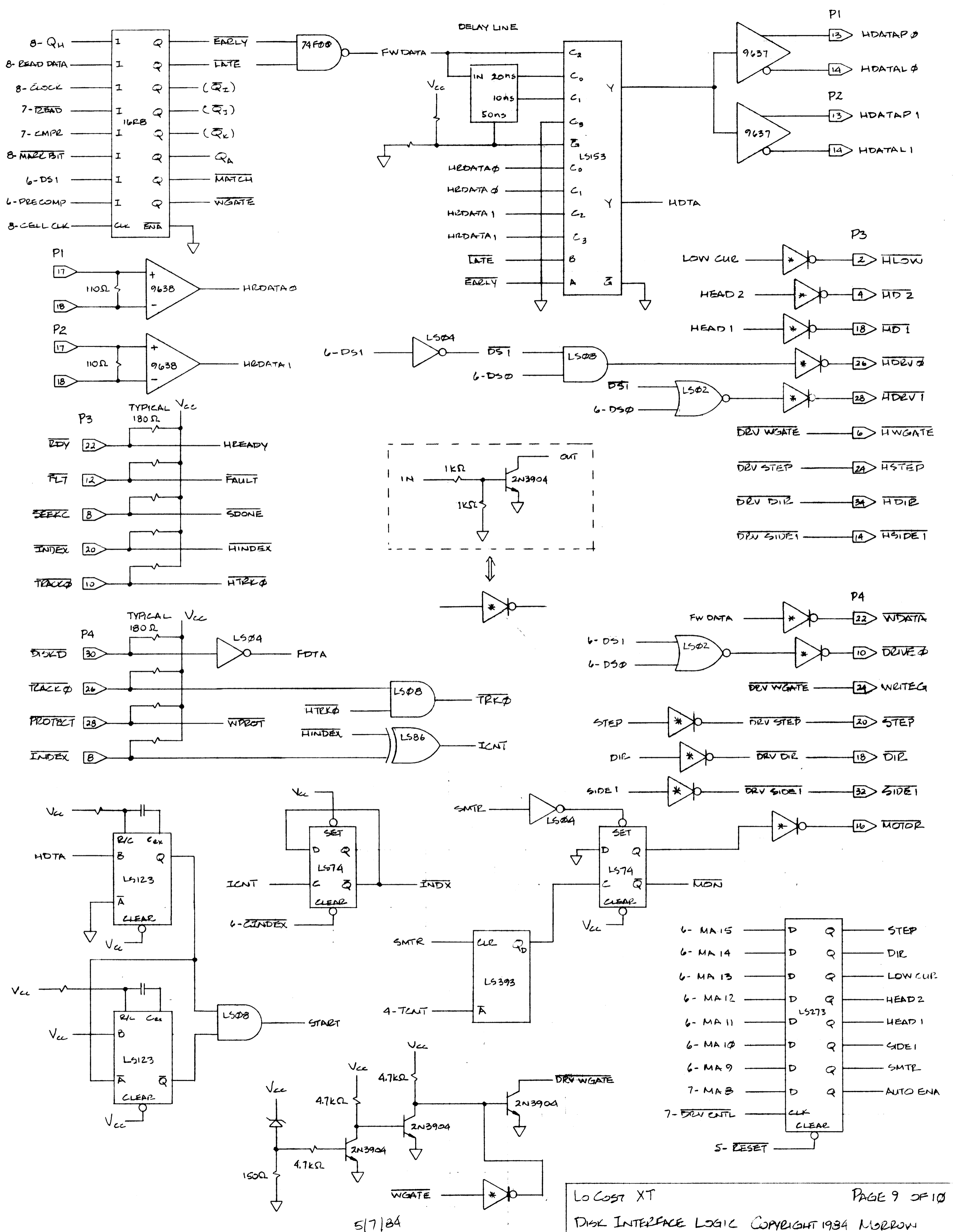


5/7/84

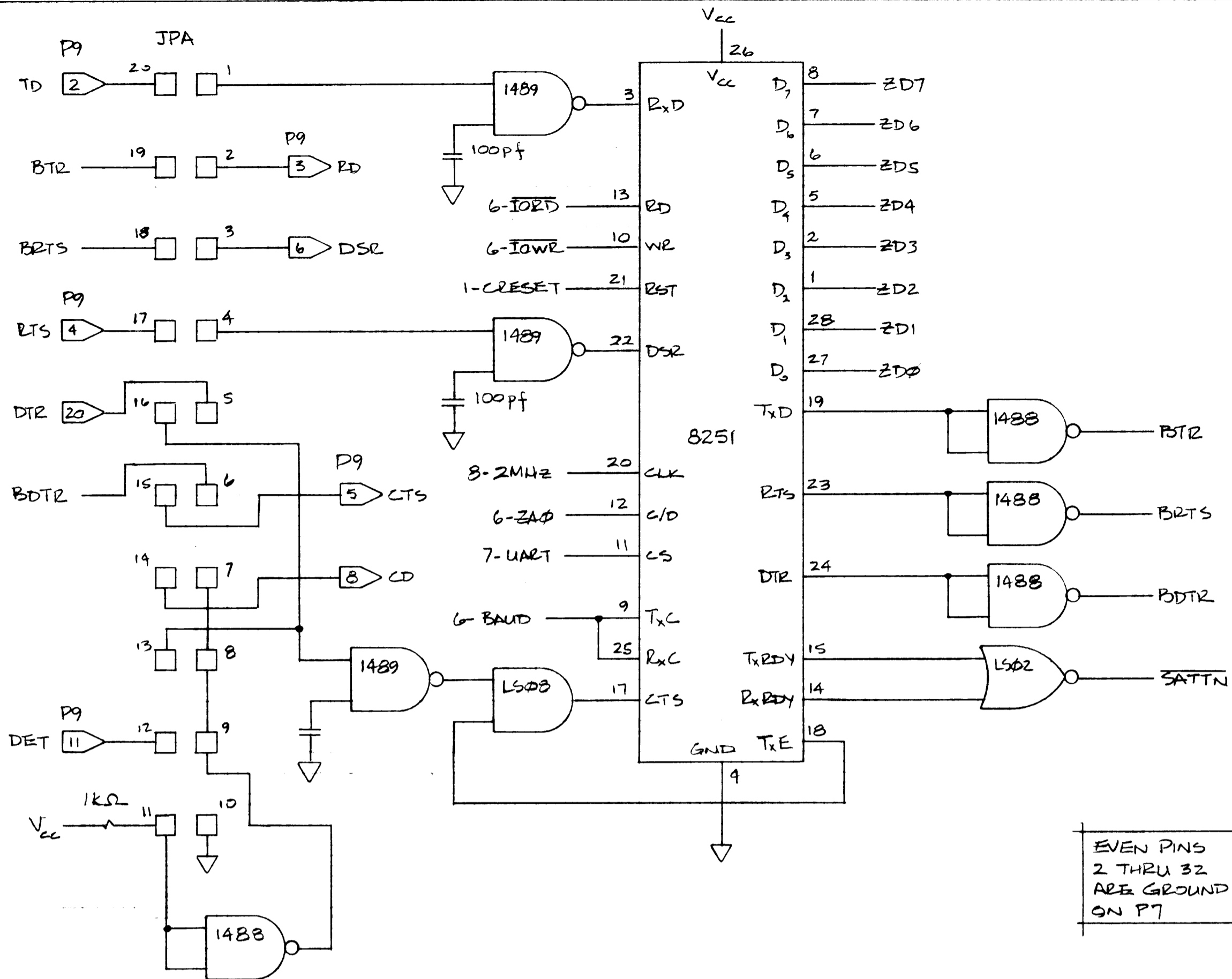




5/7/84

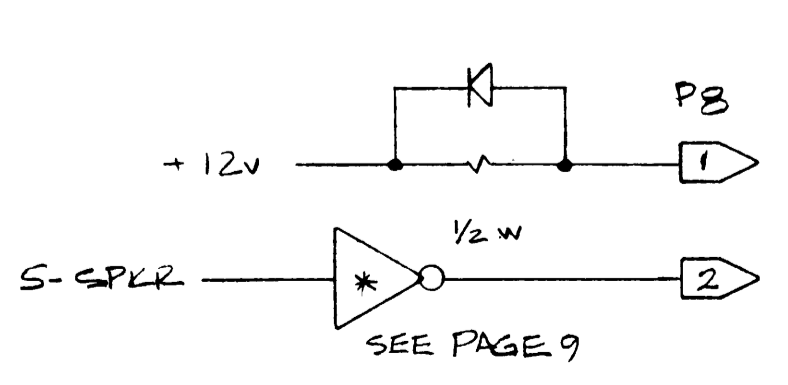


5/7/84



EVEN PINS
2 THRU 32
ARE GROUND
ON P7

- P7
- 6-IOφD → 1
- 6-IOWR → 3
- 5-RESET → 5
- 1-FOUR → 7
- 7-IOφφ → 9
- 7-IO1φ → 11
- 7-IO2φ → 13
- 7-IO3φ → 15
- 6-ZACK → 17
- 6-ZAK → 19
- 6-ZAI → 21
- 6-ZAO → 23
- 6-ZD7 → 25
- 6-ZD6 → 27
- 6-ZD5 → 29
- 6-ZD4 → 31
- 6-ZD3 → 33
- 6-ZD2 → 35
- 6-ZD1 → 37
- 6-ZD0 → 39
- +5V → 38
- +5V → 40
- +12V → 36
- 12V → 34



P8
1
2

5/7/84

