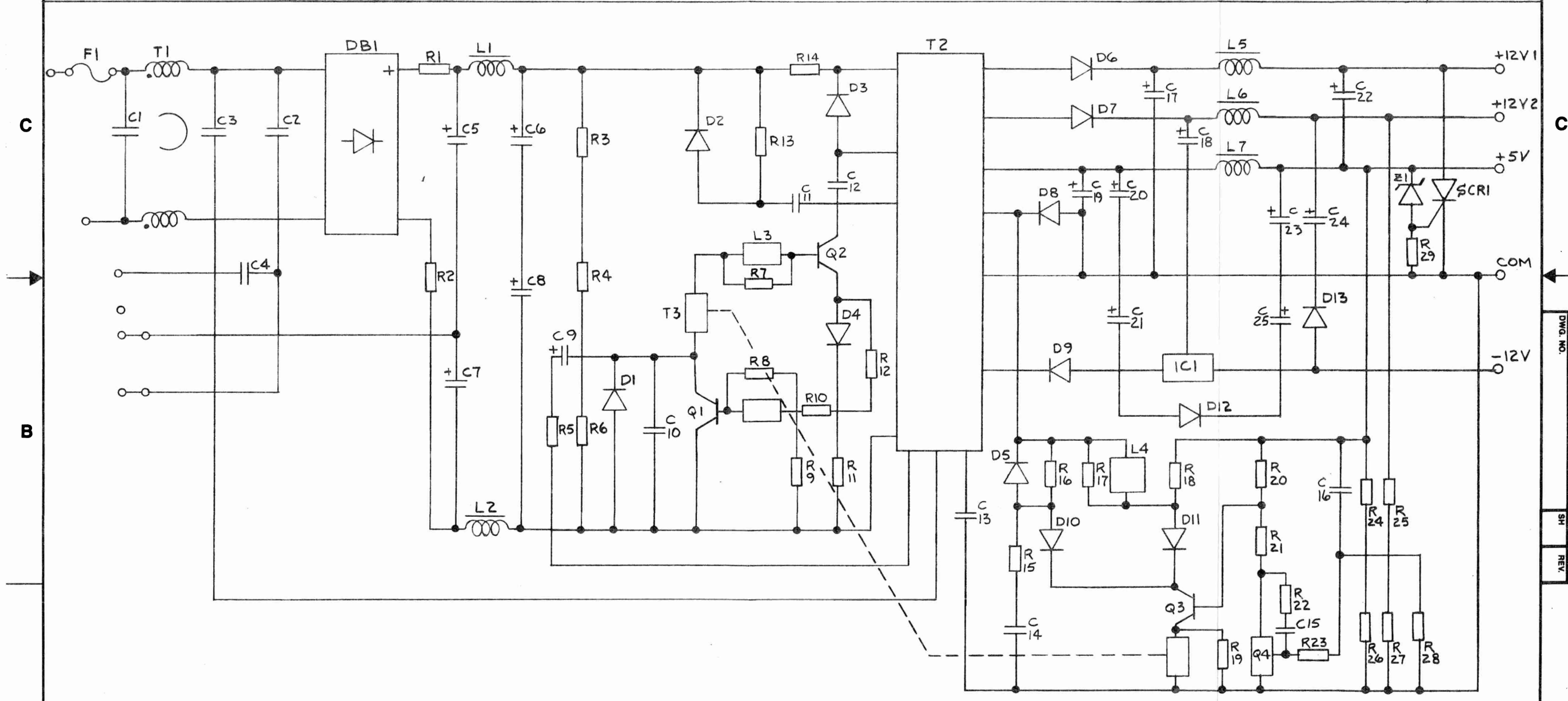


		REVISIONS											
ZONE	REV	DESCRIPTION	DATE	APPROVED									
R		R1, R2	R5, R3, R4, R6	R7, 8, 9, 10, 13, 14	R11, 12	R15, 16, 17	R18, 19, 20, 21, 22, 23	R24, 25, 26, 27, 28, 29					
C		C1	C3, C4, C2	C5, C7	C6, C8, C9	C10	C11, C12	C13	C14	C19, 20, 21	C17, C18	C23, 24, 25, 22, 16	
L/T		T1		L1, L2		T3	L3		T2		L4	L5, 6, 7	
D/Q						D1	D2, Q1	D3, Q2, D4		D5, 6, 7, 8, 9, 10	D11, Q3, D12, Q4	D13	
MISC	FI												
			DBI								L4		Z1, SCRI

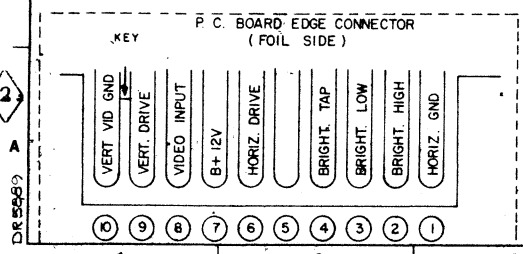
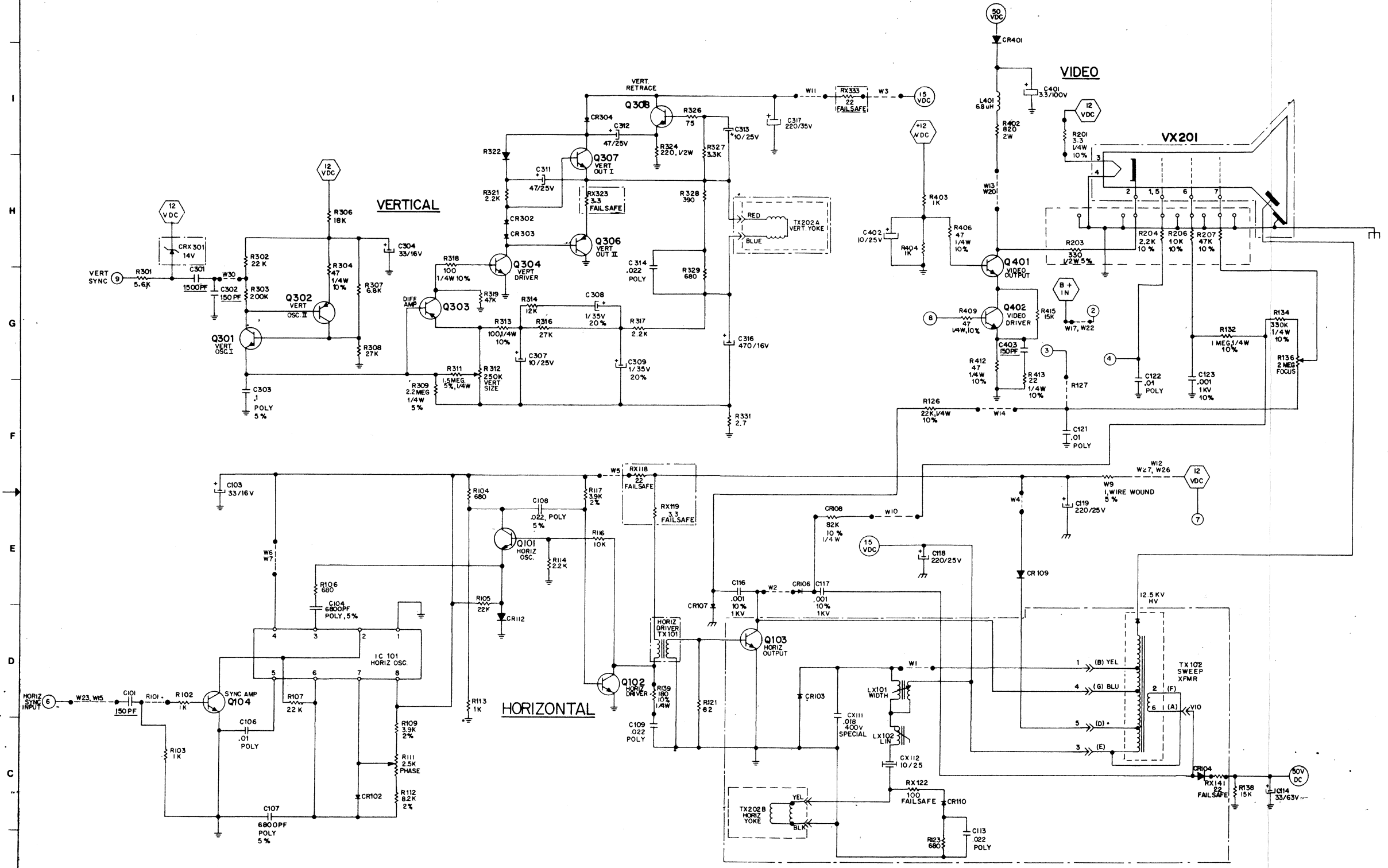


UNLESS OTHERWISE SPECIFIED DIMENSIONS ARE IN INCHES TOLERANCES ARE: FRACTIONS DECIMALS ANGLES XX - .XXX -		CONTRACT NO.	OSBORNE COMPUTER CORPORATION Hayward, California 94545 415-887-8080	
MATERIAL	APPROVALS	DATE	SIZE	FSCM NO.
FINISH	DRAWN <i>W. LILLROTH</i>	8/10/83	C	DWG. NO.
NEXT ASSY	CHECKED		SCALE	ASTEC
USED ON	ISSUED			SHEET
APPLICATION	DO NOT SCALE DRAWING			

SAMPLES OF NEW OR REVISED PART MUST BE APPROVED BY ZENITH RADIO CORPORATION BEFORE PROCEEDING WITH PRODUCTION UNLESS OTHERWISE SPECIFIED IN CHANGE COLUMN. AFTER APPROVAL MANUFACTURER SHALL NOT CHANGE THE DESIGN, PERFORMANCE, MATERIALS OR MANUFACTURING SITE WITHOUT PRIOR NOTIFICATION AND APPROVAL BY ZENITH RADIO CORPORATION.

ISSUE
A 123-5657
MUST PASS THE FOLLOWING SPECIFICATIONS
OTHER ZENITH

CHANGES
A
REVISED EXTENSIVELY
O HADST 05 15 DEC 82



○ = DC VOLTAGE SOURCE
 ⬡ = DC VOLTAGE APPLIED
 NOTE 1. CUSTOMER SUPPLIED EXTERNAL PIN 7 EDGE CONNECTOR.

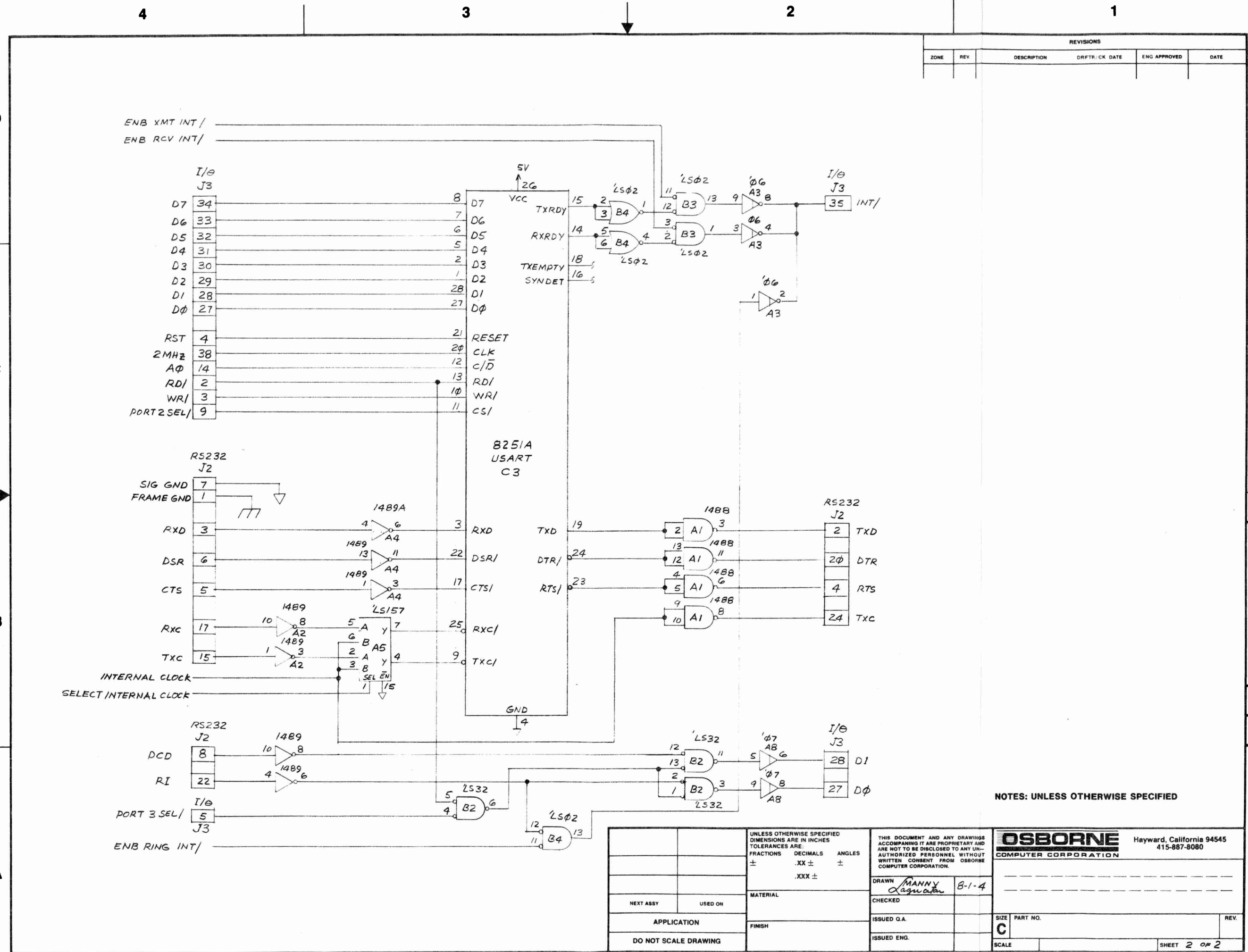
123-5657
SHEET 2

REFERENCE ONLY

REVISION	DATE	BY	CHKD	APP'D
1	25 Aug 82	O. Hardt		
2				
3				
4				
5				
6				

SCHEMATIC FOR DS7 VIDEO DISPLAY
15.6 KHZ HORIZ SCAN FREQ

ZENITH RADIO CORP. CHICAGO, ILL. A 123-5657



REVISIONS					
ZONE	REV.	DESCRIPTION	DRFTR./CK. DATE	ENG. APPROVED	DATE

NOTES: UNLESS OTHERWISE SPECIFIED

UNLESS OTHERWISE SPECIFIED DIMENSIONS ARE IN INCHES TOLERANCES ARE:		THIS DOCUMENT AND ANY DRAWINGS ACCOMPANYING IT ARE PROPRIETARY AND ARE NOT TO BE DISCLOSED TO ANY UNAUTHORIZED PERSONNEL WITHOUT WRITTEN CONSENT FROM OSBORNE COMPUTER CORPORATION.	OSBORNE Hayward, California 94545 415-887-8080
FRACTIONS	DECIMALS		
±	.XX ±	±	
	.XXX ±		
NEXT ASSY	USED ON	MATERIAL	DRAWN <i>MANNY Laguarda</i> B-1-4
			CHECKED
APPLICATION	FINISH	ISSUED O.A.	
DO NOT SCALE DRAWING		ISSUED ENG.	
			SIZE PART NO. REV.
			C
			SCALE SHEET 2 OF 2

D
C
B
A

D
C
B
A

ENB XMT INT/
ENB RCV INT/

I/O
J3
D7 34
D6 33
D5 32
D4 31
D3 30
D2 29
D1 28
D0 27
RST 4
2MHz 38
Aφ 14
RD/ 2
WR/ 3
PORT 2 SEL/ 9

RS232C
J2
SIG GND 7
FRAME GND 1
RXD 3
DSR 6
CTS 5
RXC 17
TXC 15

RS232C
J2
DCD 8
RI 22
PORT 3 SEL/ I/O J3
ENB RING INT/

825A
USART
C3

5V VCC
TXRDY 15
RXRDY 14
TXEMPTY 18
SYNDET 16
RESET 21
CLK 20
C/D 12
RD/ 13
WR/ 10
CS/ 11

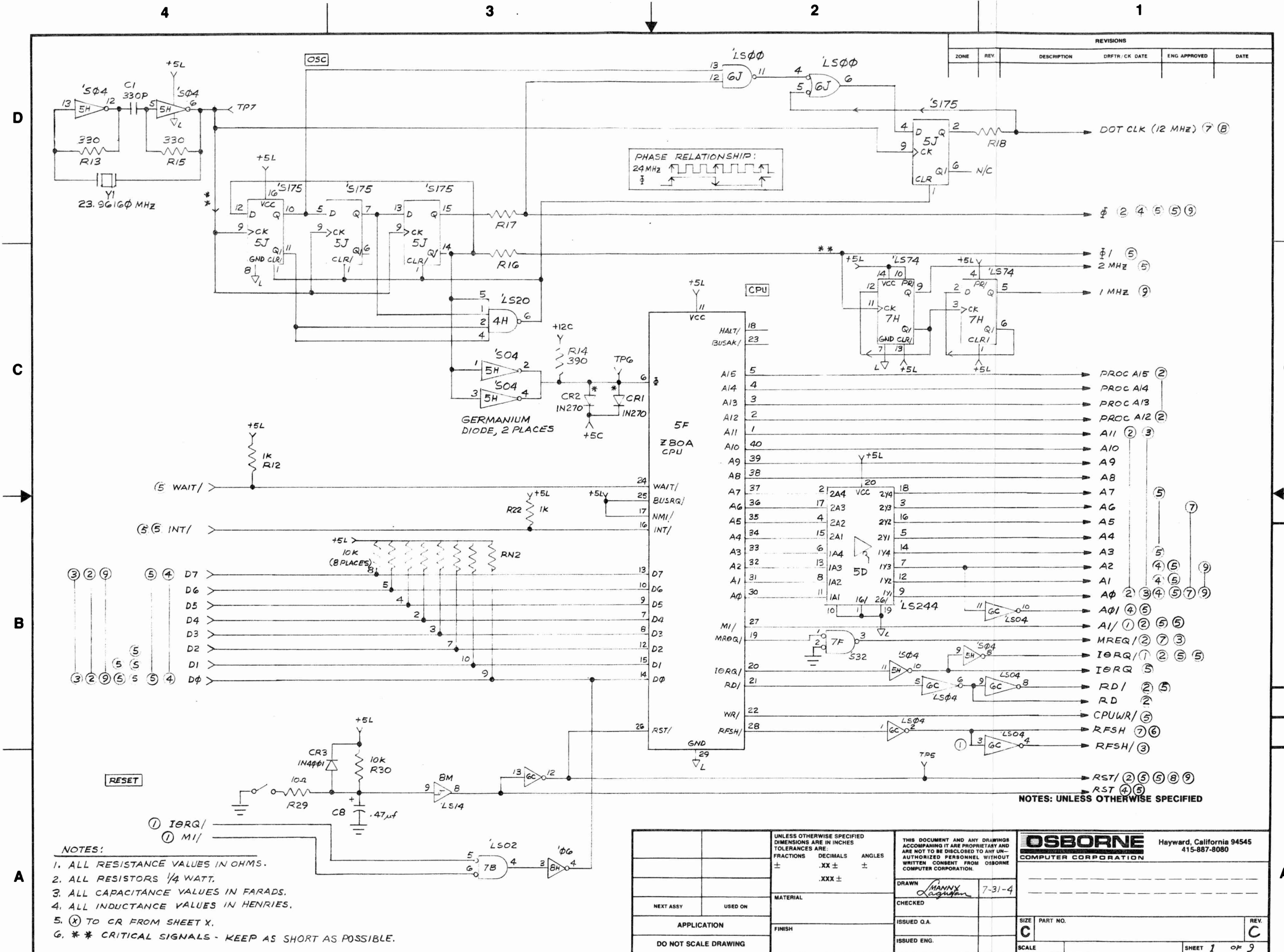
RXD 3
DSR/ 22
CTS/ 17
RXC/ 25
TXC/ 9

TXD 19
DTR/ 24
RTS/ 23

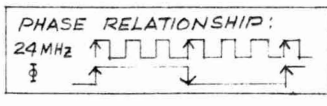
I/O
J3
35 INT/

RS232C
J2
TXD 2
DTR 20
RTS 4
TXC 24

I/O
J3
28 D1
27 D0



REVISIONS					
ZONE	REV	DESCRIPTION	DRFTR / CK DATE	ENG APPROVED	DATE



- NOTES:**
1. ALL RESISTANCE VALUES IN OHMS.
 2. ALL RESISTORS 1/4 WATT.
 3. ALL CAPACITANCE VALUES IN FARADS.
 4. ALL INDUCTANCE VALUES IN HENRIES.
 5. (X) TO CR FROM SHEET X.
 6. ** CRITICAL SIGNALS - KEEP AS SHORT AS POSSIBLE.

NOTES: UNLESS OTHERWISE SPECIFIED

UNLESS OTHERWISE SPECIFIED DIMENSIONS ARE IN INCHES TOLERANCES ARE:		THIS DOCUMENT AND ANY DRAWINGS ACCOMPANYING IT ARE PROPRIETARY AND ARE NOT TO BE DISCLOSED TO ANY UN-AUTHORIZED PERSONNEL WITHOUT WRITTEN CONSENT FROM OSBORNE COMPUTER CORPORATION.		OSBORNE Hayward, California 94545 415-887-8080	
FRACTIONS	DECIMALS	ANGLES	DRAWN	DATE	
±	.XX ±	±	MANNY Lagman	7-31-4	
	.XXX ±		CHECKED		
NEXT ASSY	USED ON	MATERIAL	ISSUED Q.A.	SIZE	PART NO.
				C	
APPLICATION	FINISH	ISSUED ENG.	SCALE	SHEET	REV.
DO NOT SCALE DRAWING				1	C
				OF	9

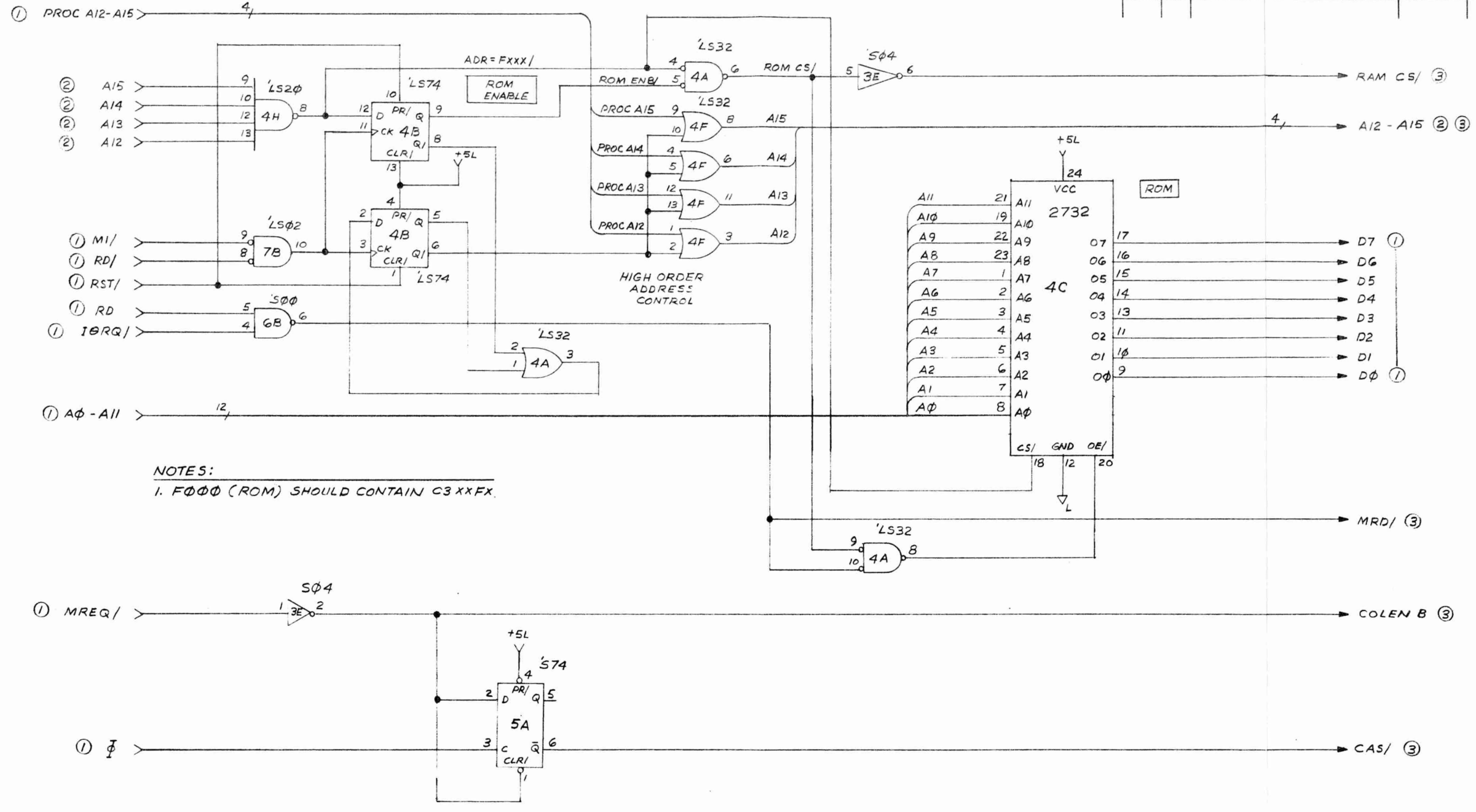
4

3

2

1

REVISIONS					
ZONE	REV	DESCRIPTION	DRFTR CK DATE	ENG APPROVED	DATE



NOTES:
 1. F000 (ROM) SHOULD CONTAIN C3 XXFX.

NOTES: UNLESS OTHERWISE SPECIFIED

UNLESS OTHERWISE SPECIFIED DIMENSIONS ARE IN INCHES TOLERANCES ARE: FRACTIONS DECIMALS ANGLES ± .XX ± ± .XXX ±		THIS DOCUMENT AND ANY DRAWINGS ACCOMPANYING IT ARE PROPRIETARY AND ARE NOT TO BE DISCLOSED TO ANY UN-AUTHORIZED PERSONNEL WITHOUT WRITTEN CONSENT FROM OSBORNE COMPUTER CORPORATION.		OSBORNE Hayward, California 94545 415-887-8080	
DRAWN <i>MANNX</i> 7-31-4		CHECKED		SIZE PART NO. REV.	
ISSUED Q.A.		ISSUED ENG.		C C	
NEXT ASSY USED ON		MATERIAL FINISH		SCALE	
APPLICATION		DO NOT SCALE DRAWING		SHEET 2 OF 9	

D

C

B

A

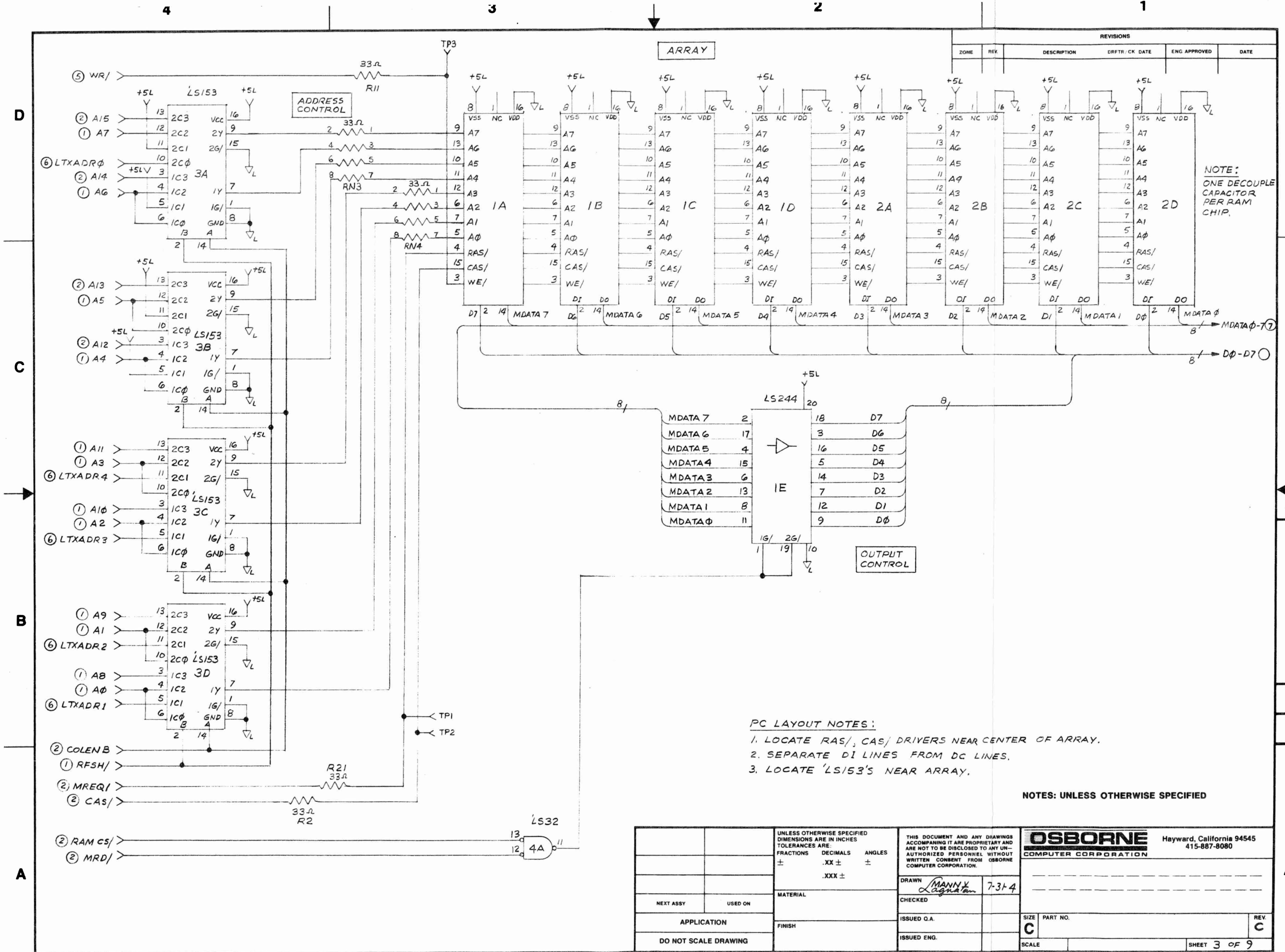
D

C

SH

REV

A



REVISIONS					
ZONE	REV.	DESCRIPTION	DRFTR/CK DATE	ENG APPROVED	DATE

NOTE:
ONE DECOUPLE
CAPACITOR
PER RAM
CHIP.

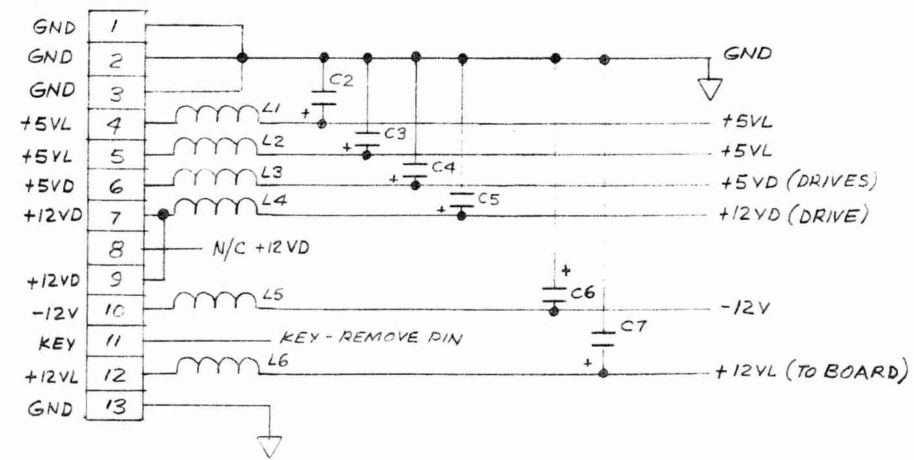
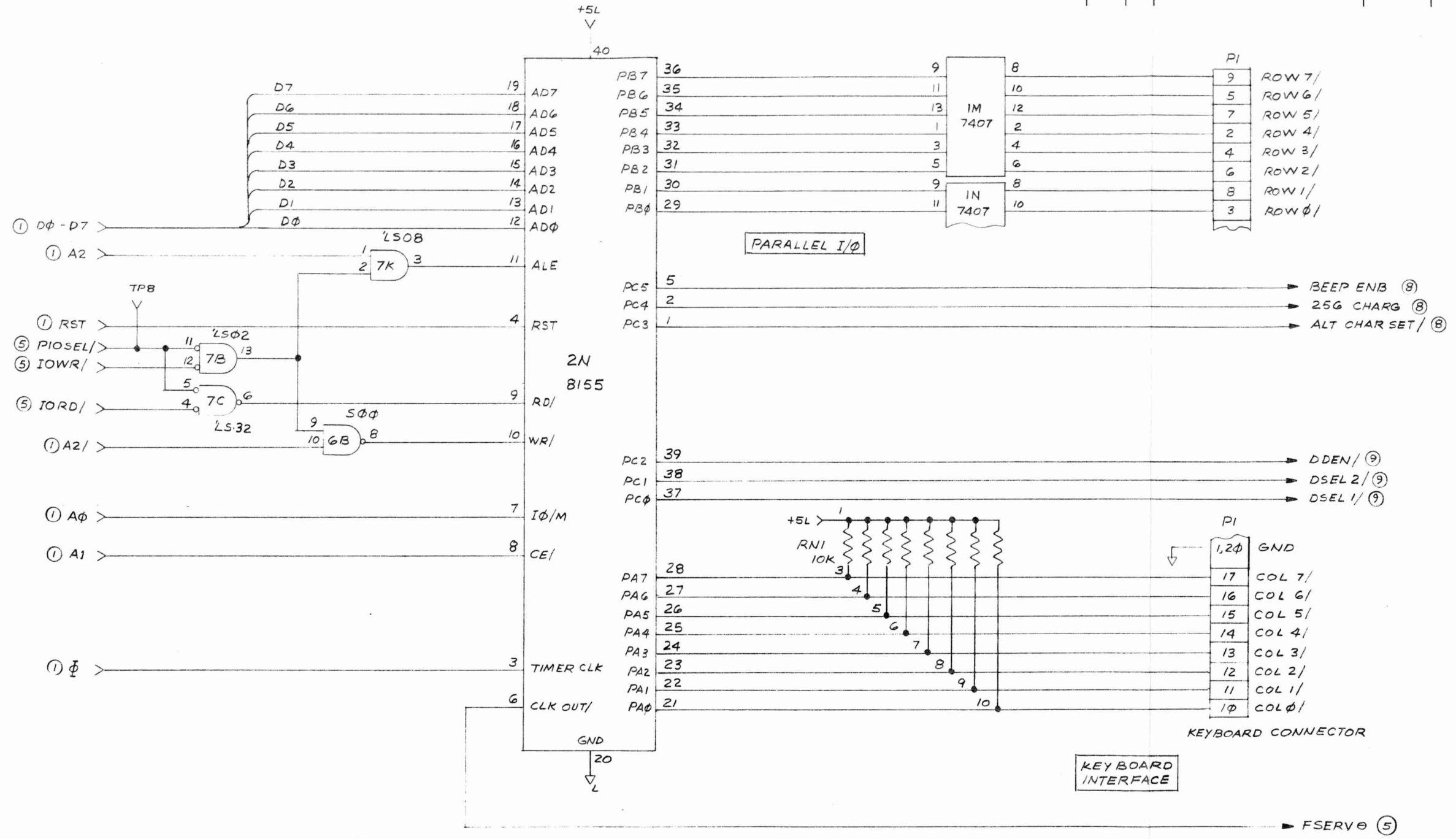
- PC LAYOUT NOTES:
1. LOCATE RAS/, CAS/ DRIVERS NEAR CENTER OF ARRAY.
 2. SEPARATE DI LINES FROM DC LINES.
 3. LOCATE 'LS153'S NEAR ARRAY.

NOTES: UNLESS OTHERWISE SPECIFIED

UNLESS OTHERWISE SPECIFIED DIMENSIONS ARE IN INCHES TOLERANCES ARE: FRACTIONS DECIMALS ANGLES ± .XX ± ±		THIS DOCUMENT AND ANY DRAWINGS ACCOMPANYING IT ARE PROPRIETARY AND ARE NOT TO BE DISCLOSED TO ANY UN-AUTHORIZED PERSONNEL WITHOUT WRITTEN CONSENT FROM OSBORNE COMPUTER CORPORATION.	OSBORNE Hayward, California 94545 COMPUTER CORPORATION 415-887-8080	
DRAWN <i>MANN</i> 7-31-4				
NEXT ASSY	USED ON	CHECKED		
APPLICATION		ISSUED O.A.	SIZE	PART NO.
DO NOT SCALE DRAWING		ISSUED ENG.	C	REV. C
SCALE			SHEET 3 OF 9	

PART NO.
REV.

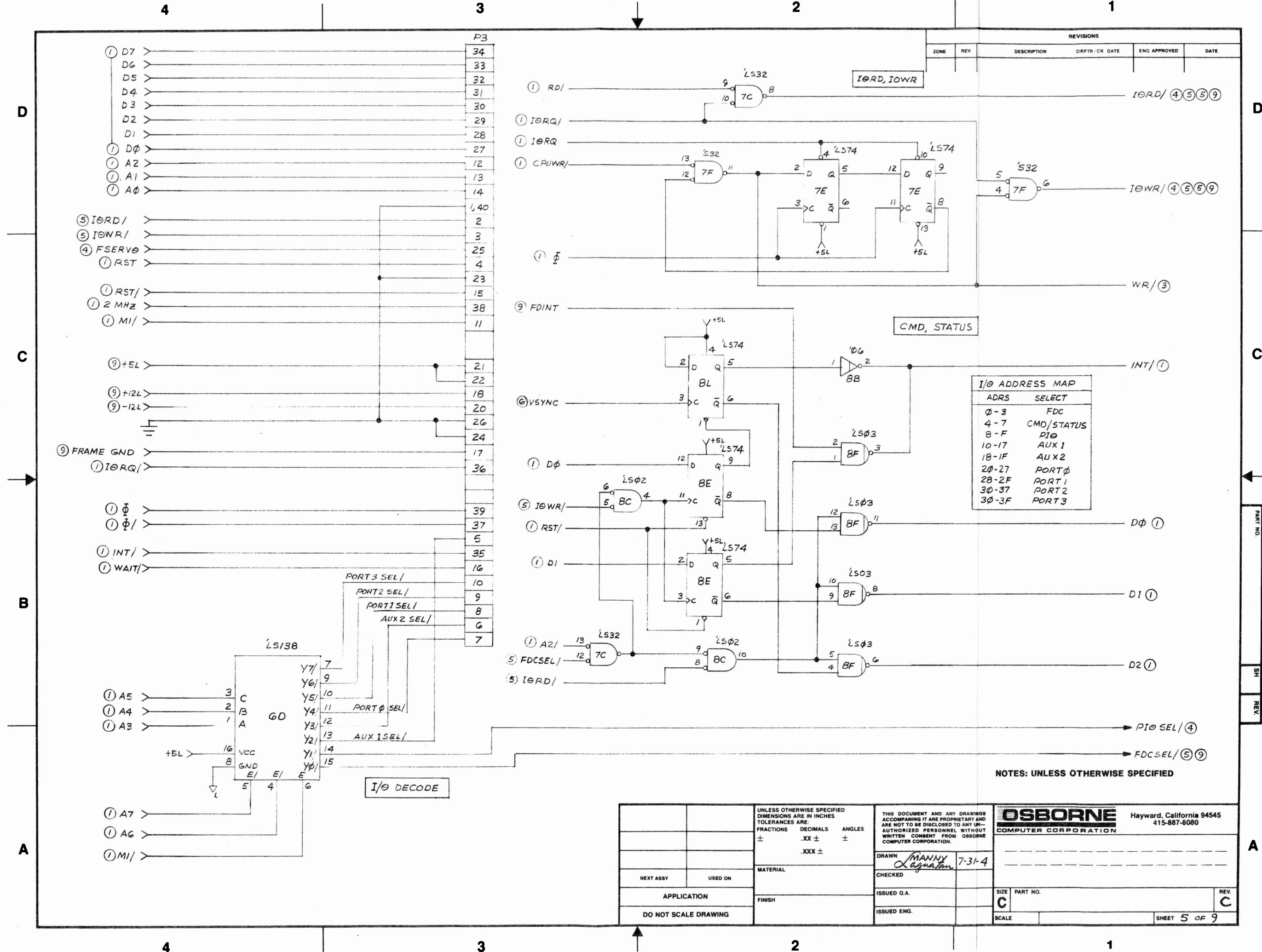
REVISIONS					
ZONE	REV	DESCRIPTION	DRFR/CK DATE	ENG APPROVED	DATE



NOTES: UNLESS OTHERWISE SPECIFIED

UNLESS OTHERWISE SPECIFIED DIMENSIONS ARE IN INCHES TOLERANCES ARE:		THIS DOCUMENT AND ANY DRAWINGS ACCOMPANYING IT ARE PROPRIETARY AND ARE NOT TO BE DISCLOSED TO ANY UNAUTHORIZED PERSONNEL WITHOUT WRITTEN CONSENT FROM OSBORNE COMPUTER CORPORATION.	Hayward, California 94545 415-887-8080
FRACTIONS	DECIMALS		
±	.XX ±	±	
	.XXX ±		
NEXT ASSY	USED ON	MATERIAL	DRAWN <i>MANNY Lagnatan</i> 7-31-4 CHECKED ISSUED Q.A. ISSUED ENG.
APPLICATION		FINISH	SIZE C PART NO. C SCALE SHEET 4 OF 9
DO NOT SCALE DRAWING			

PART NO. SH REV.



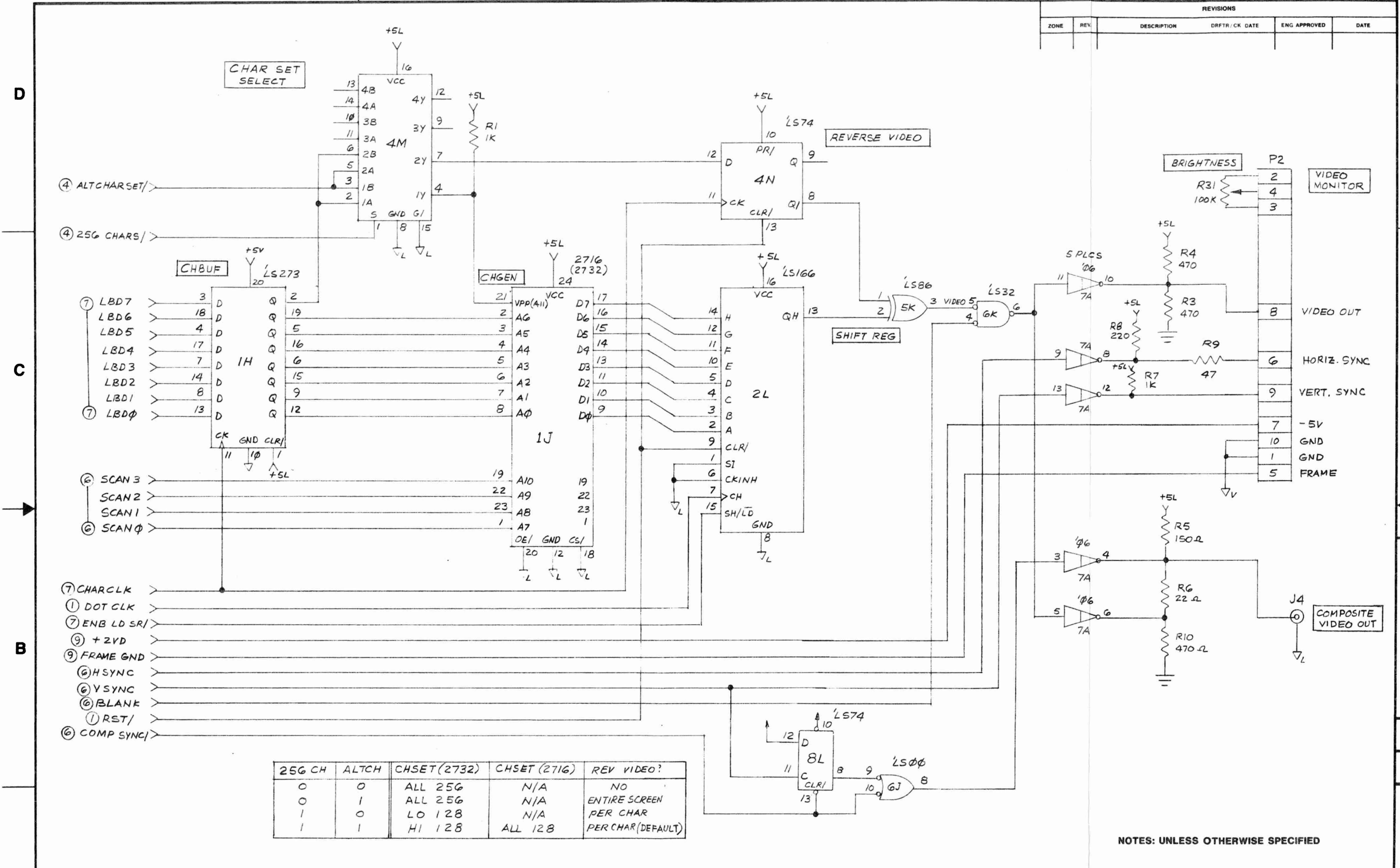
REVISIONS					
ZONE	REV.	DESCRIPTION	DRFTR/CK DATE	ENG APPROVED	DATE

ADRS	SELECT
0-3	FDC
4-7	CMD/STATUS
8-F	PIO
10-17	AUX 1
18-1F	AUX 2
20-27	PORT 0
28-2F	PORT 1
30-37	PORT 2
30-3F	PORT 3

NOTES: UNLESS OTHERWISE SPECIFIED

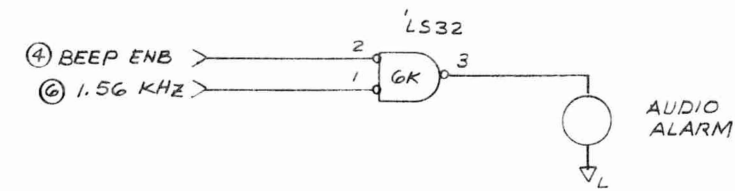
UNLESS OTHERWISE SPECIFIED DIMENSIONS ARE IN INCHES TOLERANCES ARE: FRACTIONS .XX ± DECIMALS .XXX ± ANGLES ±		THIS DOCUMENT AND ANY DRAWINGS ACCOMPANYING IT ARE PROPRIETARY AND ARE NOT TO BE DISCLOSED TO ANY UNAUTHORIZED PERSONNEL WITHOUT WRITTEN CONSENT FROM OSBORNE COMPUTER CORPORATION.		OSBORNE Hayward, California 94545 415-887-8080 COMPUTER CORPORATION	
NEXT ASSY	USED ON	MATERIAL	DRAWN <i>MANNY Laguatan</i> 7-31-4	REV. C	
APPLICATION		FINISH	CHECKED	SIZE PART NO. C	
DO NOT SCALE DRAWING		ISSUED Q.A.	ISSUED ENG.	SCALE SHEET 5 OF 9	

REVISIONS					
ZONE	REV	DESCRIPTION	DRFTR/CK DATE	ENG APPROVED	DATE



- ④ ALTCHARSET/
- ④ 256 CHARS/
- ⑦ LBD7
- ⑦ LBD6
- ⑦ LBD5
- ⑦ LBD4
- ⑦ LBD3
- ⑦ LBD2
- ⑦ LBD1
- ⑦ LBDφ
- ⑥ SCAN 3
- ⑥ SCAN 2
- ⑥ SCAN 1
- ⑥ SCAN φ
- ⑦ CHARCLK
- ① DOT CLK
- ⑦ ENB LD SRI
- ⑨ +2VD
- ⑨ FRAME GND
- ⑥ H SYNC
- ⑥ V SYNC
- ⑥ BLANK
- ① RST/
- ⑥ COMP SYNC/

256 CH	ALTCH	CHSET (2732)	CHSET (2716)	REV VIDEO?
0	0	ALL 256	N/A	NO
0	1	ALL 256	N/A	ENTIRE SCREEN
1	0	LO 128	N/A	PER CHAR
1	1	HI 128	ALL 128	PER CHAR (DEFAULT)



NOTES: UNLESS OTHERWISE SPECIFIED

UNLESS OTHERWISE SPECIFIED DIMENSIONS ARE IN INCHES TOLERANCES ARE: FRACTIONS DECIMALS ANGLES ± .XX ± ±		THIS DOCUMENT AND ANY DRAWINGS ACCOMPANYING IT ARE PROPRIETARY AND ARE NOT TO BE DISCLOSED TO ANY UN-AUTHORIZED PERSONNEL WITHOUT WRITTEN CONSENT FROM OSBORNE COMPUTER CORPORATION.	OSBORNE Hayward, California 94545 415-887-8080	
MATERIAL			DRAWN <i>MANNY Laguatan</i> 7-31-4	
NEXT ASSY	USED ON	CHECKED	SIZE PART NO. REV. C	
APPLICATION		ISSUED G.A.	SCALE	
DO NOT SCALE DRAWING		ISSUED ENG.	SHEET 8 of 9	

