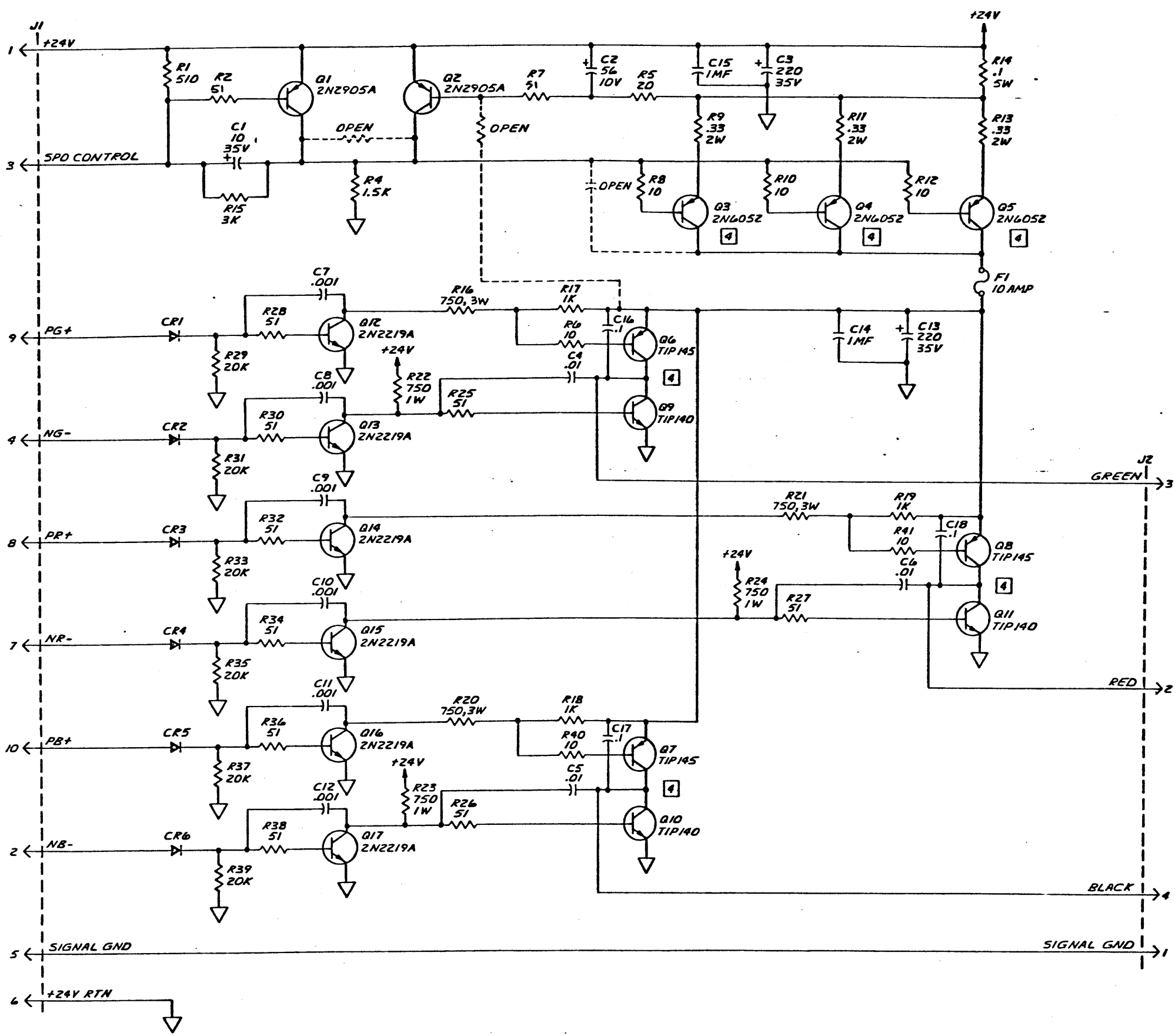


DATE	E/C NO	DATE	E/C NO	200009
6-25-79	02			RELEASED FOR ASSEMBLY
7-2-79	1001			20000B
8-5-79	1013			
10-5-79	241			

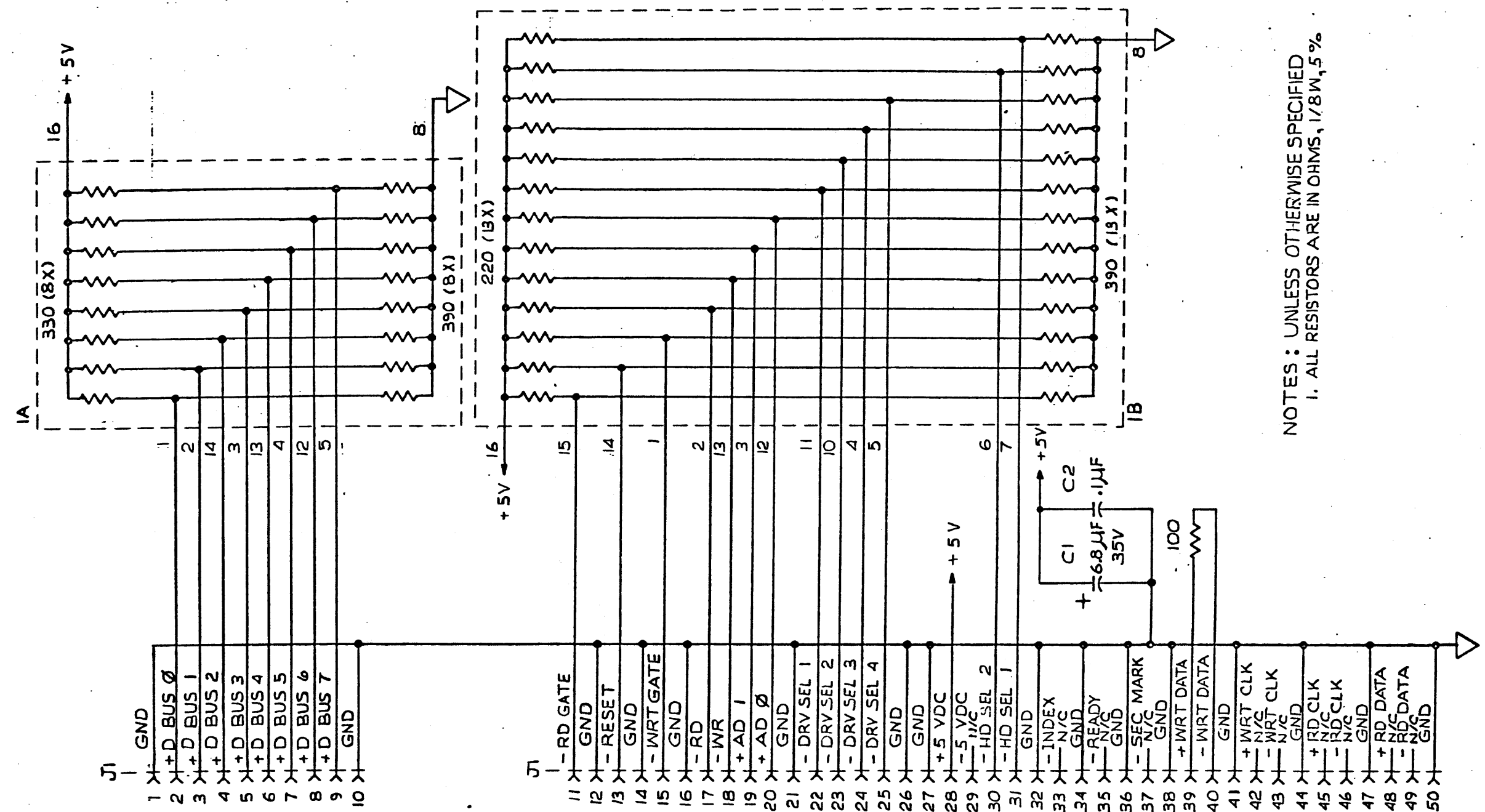


- NOTES: UNLESS OTHERWISE SPECIFIED,
 1. THIS SCHEMATIC REPRESENTS ASSEMBLY 20000B AT E/C NO. 1001.
 2. ALL RESISTORS ARE III OHMS, 1/4W, 5%.
 3. ALL CAPACITORS ARE III MICROFARADS.
 4. TRANSISTORS Q3 THRU Q11 TO BE ASSEMBLED AT ASSEMBLY 330125.
 5. ALL DIODES ARE IN4454.

REFERENCE DESIGNATION	
LAST USED	NOT USED
C18	
F1	
J2	
Q17	
R41	
CR6	

MATERIAL	TOLERANCE UNLESS OTHERWISE NOTED	TITLE	
		SCHEMATIC DIAGRAM	
		MOTOR CONTROL	
	LINEAR ± .XX	DESIGN	SCALE
	ANGULAR ± .XXX	DETAL	SHEET 1 OF 1
HARDNESS	CONFORMS TO	DATE	APPROV
SURFACE TREATMENT	EDGES	7-2-79	D 200009
	FINISH		

DATE	E/C NO.	DATE	E/C NO.	200029
5-5-79	A			RELEASED FOR ASSEMBLY
7-16-79	1001			200028
10-18-79	1044			

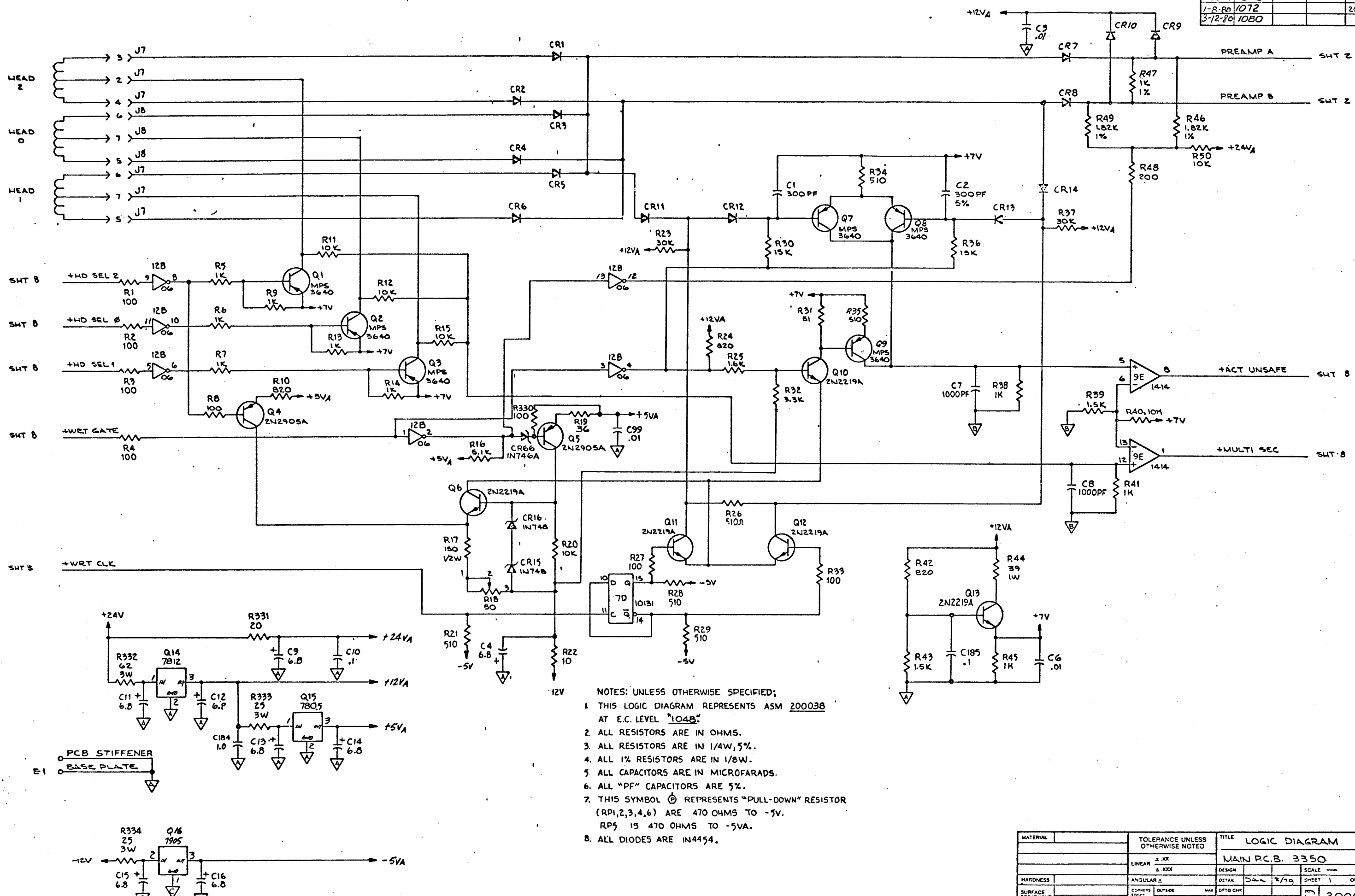


NOTES: UNLESS OTHERWISE SPECIFIED
 1. ALL RESISTORS ARE IN OHMS, 1/8W, 5%

MATERIAL	TOLERANCE UNLESS OTHERWISE NOTED		TITLE	
	LINEAR	± .XX	SCHEMATIC DIAGRAM	
	ANGULAR	± .XXX	3350 TERMINATOR	
HARDNESS	ANGULAR	±	DESIGN	SCALE
SURFACE TREATMENT	CORNERS BROKEN	OUTSIDE MAX	W/J M	10-16-79
	INSIDE MAX	DFTG CHK		SHEET
		APPRO		OF
				200029

PRIAM

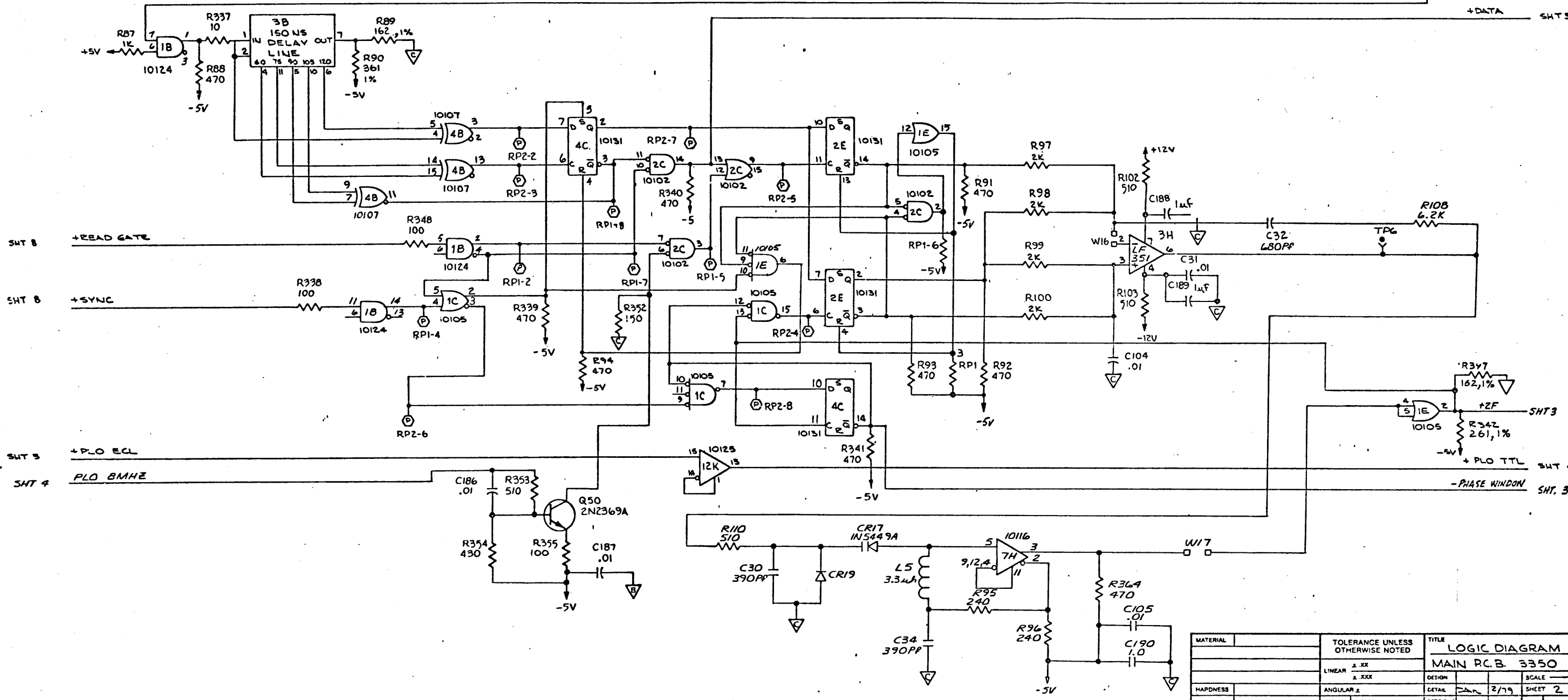
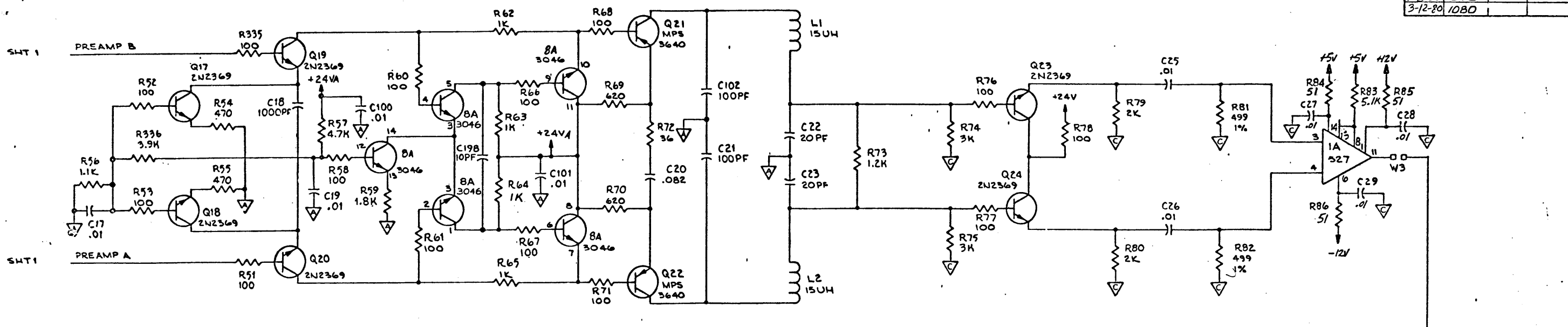
DATE	EC NO	DATE	EC NO	200039
12-12-79	1021			
11-30-79	104B			RELEASED FOR ASSEMBLY
1-8-80	1072			200038
3-12-80	1080			



- NOTES: UNLESS OTHERWISE SPECIFIED;
1. THIS LOGIC DIAGRAM REPRESENTS ASM 200038 AT E.C. LEVEL "104B".
 2. ALL RESISTORS ARE IN OHMS.
 3. ALL RESISTORS ARE IN 1/4W, 5%.
 4. ALL 1% RESISTORS ARE IN 1/8W.
 5. ALL CAPACITORS ARE IN MICROFARADS.
 6. ALL "PF" CAPACITORS ARE 5%.
 7. THIS SYMBOL ⊕ REPRESENTS "PULL-DOWN" RESISTOR (RP1,2,3,4,6) ARE 470 OHMS TO -5V. RP5 IS 470 OHMS TO -5VA.
 8. ALL DIODES ARE IN4454.

MATERIAL	TOLERANCE UNLESS OTHERWISE NOTED	TITLE LOGIC DIAGRAM		PRIAM
	LINEAR ±.XX ±.XXX	MAIN P.C.B. 3350		
HARDNESS	ANGULAR ±	DESIGN	SCALE	
SURFACE TREATMENT	CORNERS EDGES FINISHED	DETAIL	DATE 2/79	SHEET 1 OF 9
	OUTSIDE MAX	CFTD CHK		200039
	INSIDE MAX	APPRO		

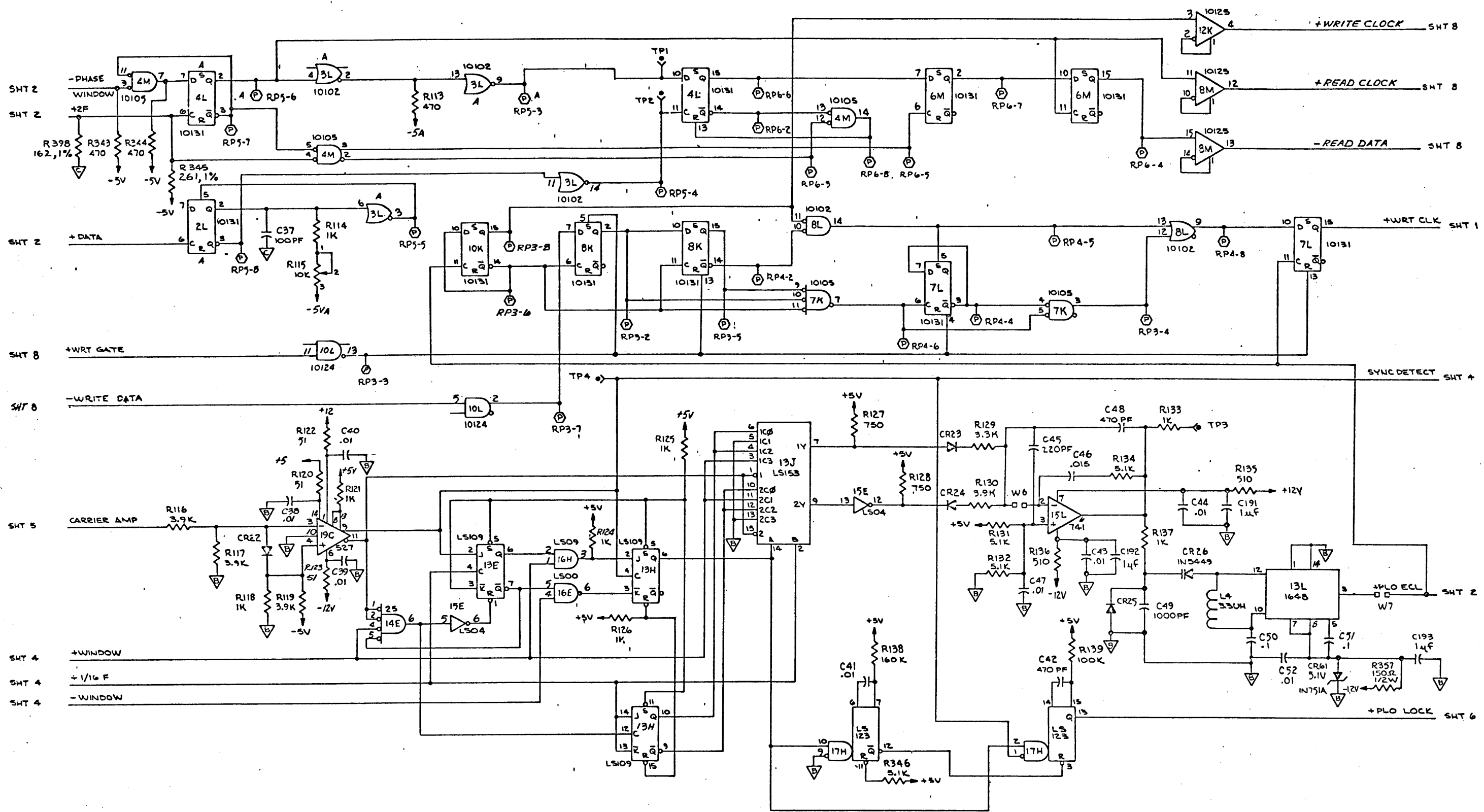
DATE	E/C NO.	DATE	E/C NO.	200039
10-27-79	1021			
11-20-79	1048			RELEASED FOR ASSEMBLY
1-8-80	1072			200038
3-12-80	1080			



MATERIAL	TOLERANCE UNLESS OTHERWISE NOTED	TITLE	LOGIC DIAGRAM
	LINEAR 2 XX	DESIGN	MAIN P.C.B. 3350
	ANGULAR 2	SCALE	2/79 SHEET 2 OF 9
HARDNESS	COPERS	OUTSIDE	MAX DFTG CHG
SURFACE TREATMENT	EDGES	INSIDE	MAX APPRO
			200039

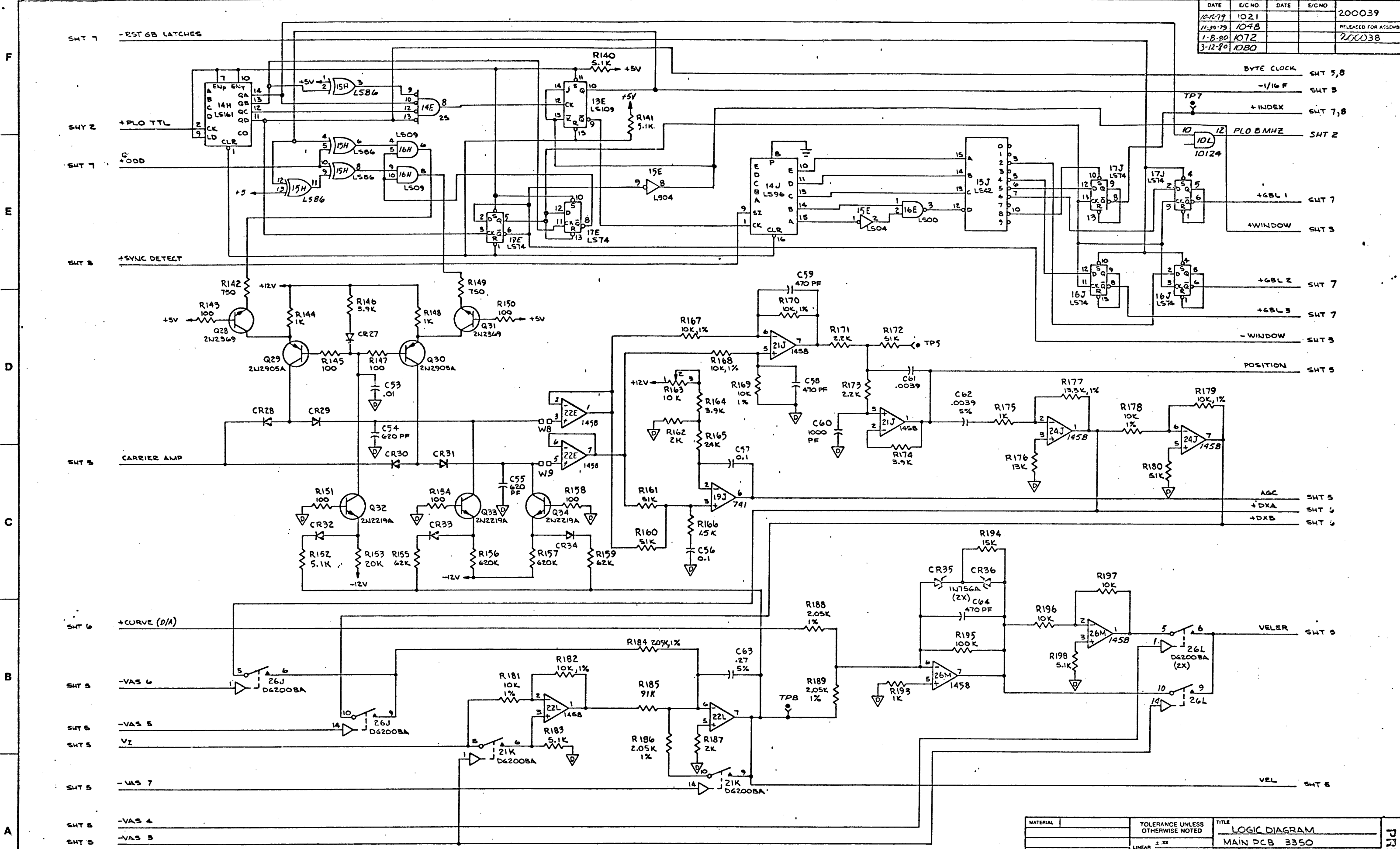
PRIAM

DATE	E/C NO	DATE	E/C NO	200039
10-12-79	1021			RELEASED FOR ASSEMBLY
11-30-79	104B			
1-8-80	1072			200038
3-12-80	1080			



MATERIAL	TOLERANCE UNLESS OTHERWISE NOTED	TITLE		PRIM
		LOGIC DIAGRAM		
		MAIN P.C.B. 3350		
		DESIGN	SCALE	
HARDNESS	ANGULAR ±	DETAIL	SHEET 3 OF 9	
SURFACE TREATMENT	CORNERS FINISH	MAX DFTG CHK		
	OUTSIDE FINISH	MAX APPRO		
	INSIDE FINISH			
			200039	

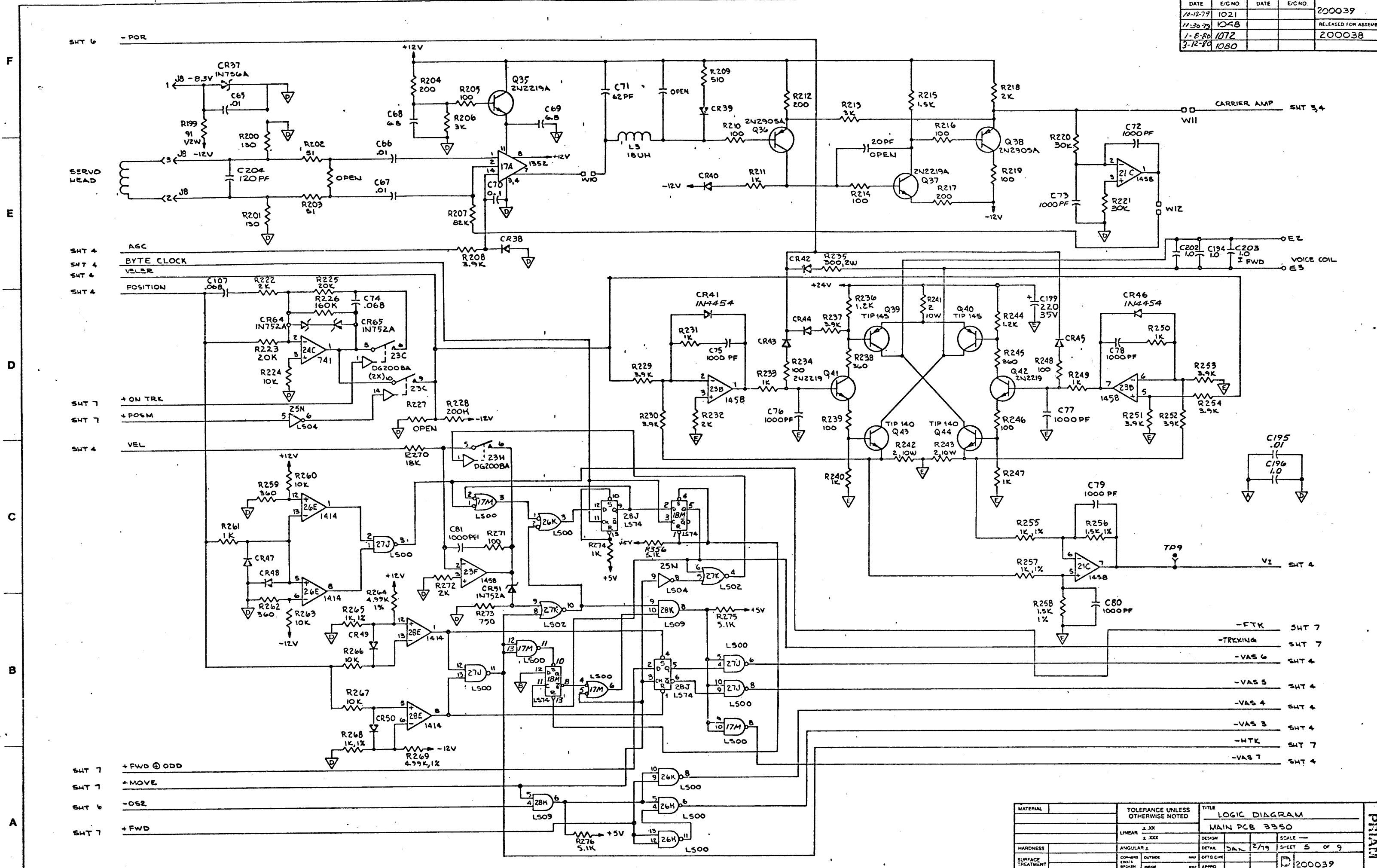
DATE	E/CNO	DATE	E/CNO	200039
10-12-79	1021			
11-30-79	1048			RELEASED FOR ASSEMBLY
1-8-80	1072			200038
3-12-80	1080			



MATERIAL	TOLERANCE UNLESS OTHERWISE NOTED	TITLE
	LINEAR ±.XX	LOGIC DIAGRAM
	ANGULAR ±.XXX	MAIN PCB 3350
HARDNESS	DETAIL	DESIGN
SURFACE TREATMENT	SCALE	DATE
	CONFORM	2/79
	EDGES	SHEET 4 OF 9
	INSIDE	200039
	MAX	
	APPRO	

PR1A1

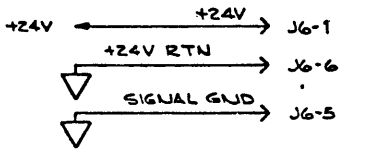
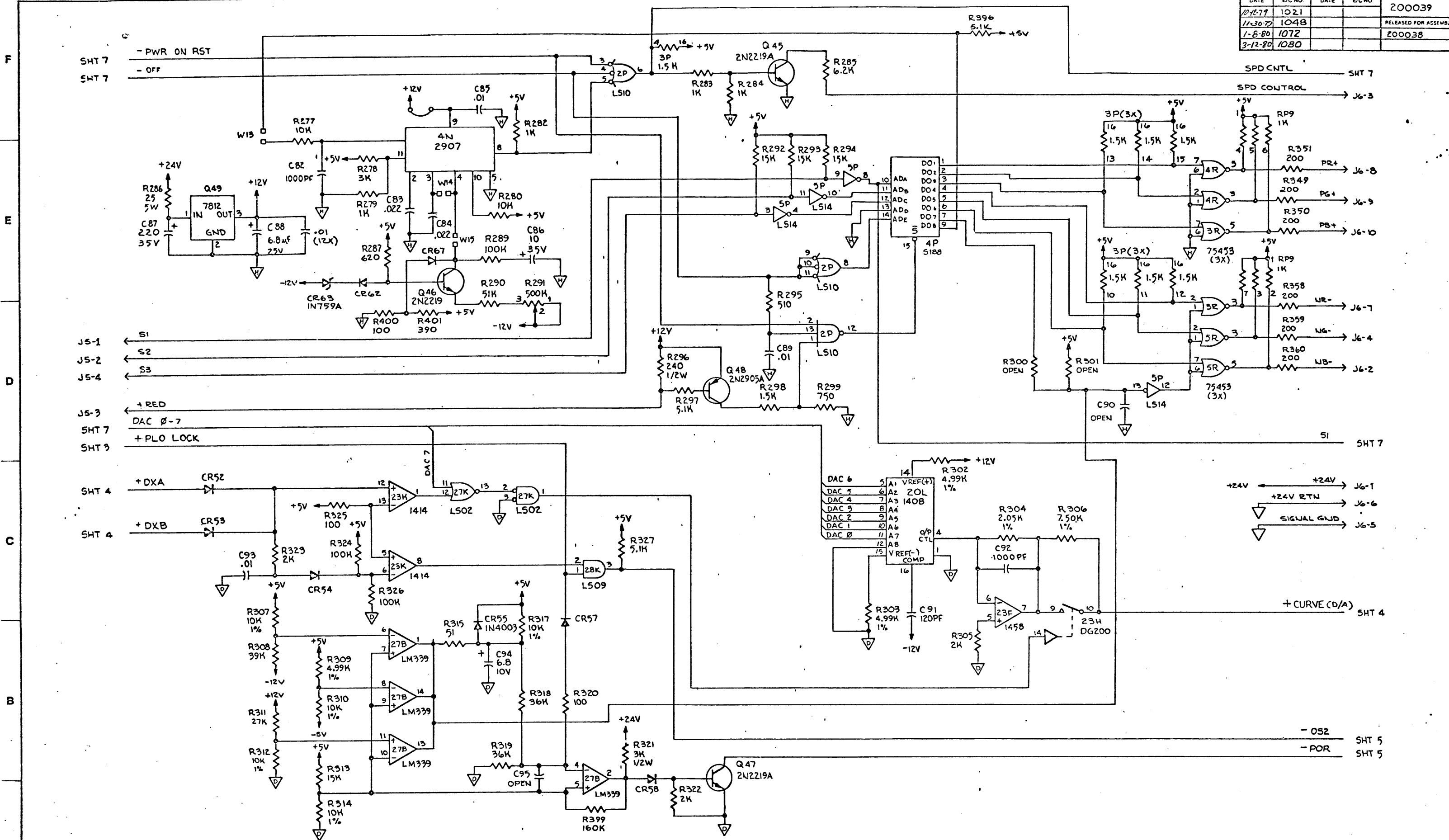
DATE	E/C NO.	DATE	E/C NO.	200039
10-12-79	1021			RELEASED FOR ASSEMBLY
11-30-79	1048			
1-8-80	1072			200038
3-12-80	1080			



MATERIAL	TOLERANCE UNLESS OTHERWISE NOTED	TITLE	
		LOGIC DIAGRAM	
	LINEAR ±.XX	MAIN PCB 3350	
	ANGULAR ±.XXX	DESIGN	SCALE
HARDNESS	ANGULAR ±	DATE	SHEET 5 OF 9
SURFACE TREATMENT	CORNERS	DATE	2/79
	EDGES	APPRO	200039
	BREKED		

PRIM

DATE	E/C NO.	DATE	E/C NO.	200039
10-1-79	1021			
11-30-79	1048			RELEASED FOR ASSEMBLY
1-8-80	1072			200038
3-12-80	1080			



+ CURVE (D/A) SHT 4

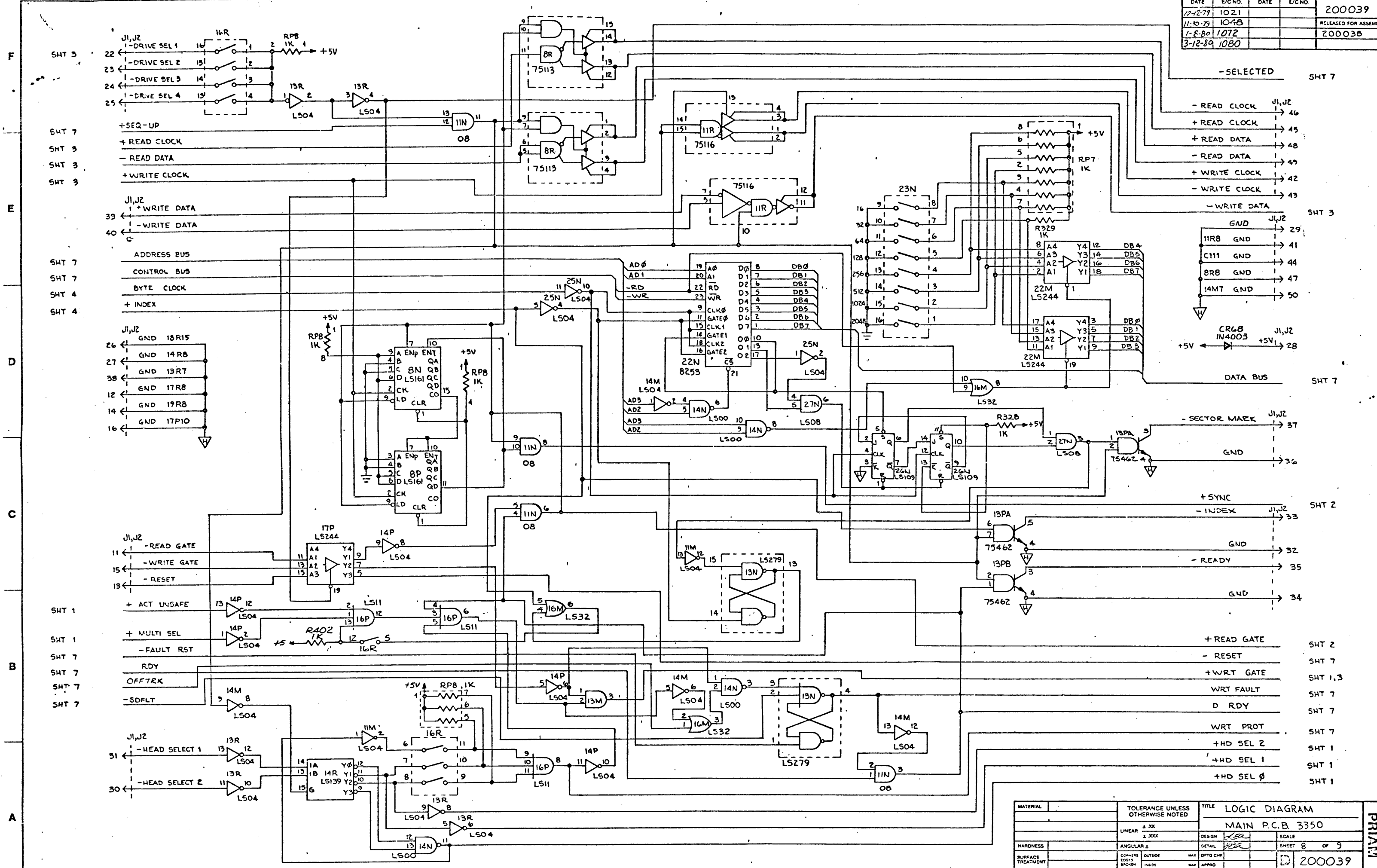
- OS2 SHT 5
- POR SHT 5

MATERIAL	TOLERANCE UNLESS OTHERWISE NOTED	TITLE: LOGIC DIAGRAM	
	LINEAR ±.XX	MAIN P.C.B. 3350	
HARDNESS	ANGULAR ±	DESIGN	SCALE
SURFACE TREATMENT	CORNERS EDGES BROKEN	DETAIL J.E.A. 5-12-79	SHEET 6 OF 9
	OUTSIDE MAX APPRO		200039

PRIMA

9 8 7 6 5 4 3 2 1

DATE	E/C NO	DATE	E/C NO	200039
10-12-79	1021			
11-30-79	1048			RELEASED FOR ASSEMBLY
1-8-80	1072			200038
3-12-89	1080			

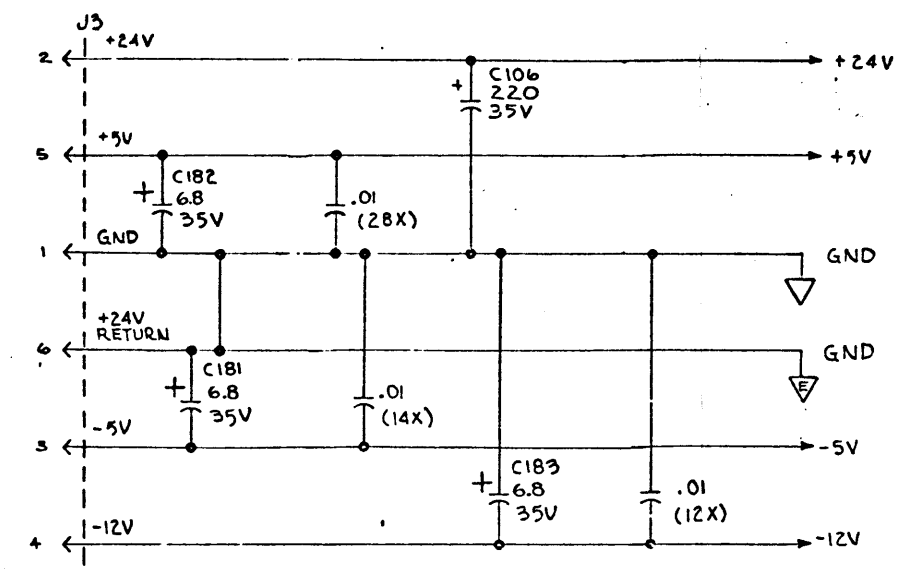


MATERIAL	TOLERANCE UNLESS OTHERWISE NOTED	TITLE	
		LOGIC DIAGRAM	
		MAIN P.C.B. 3350	
HARDNESS	LINEAR ± .XX	DESIGN	SCALE
	ANGULAR ±	DETAIL	SHEET 8 OF 9
SURFACE TREATMENT	COMPLETE EDGE BROKEN	DATE	200039

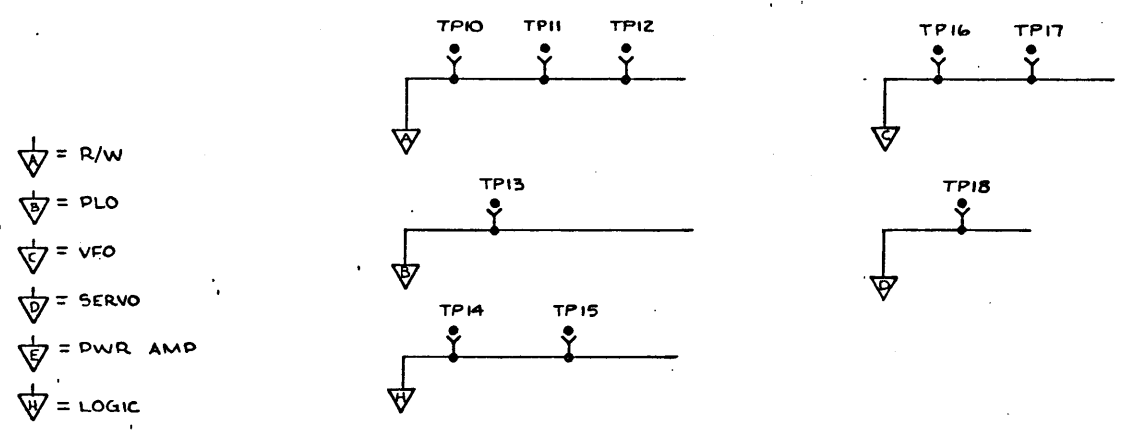
PRIA1

DATE	E/C NO	DATE	E/C NO	200039
10-2-79	1021			RELEASED FOR ASSEMBLY
11-30-79	1048			
1-8-80	1072			200038
3-12-89	1080			

I.C. TYPE	LOCATION	UNUSED GATES	+5	GND	+12	-12	-5
74LS00	14N, 17M		14	7H			
74LS02	27K		14	7D			
74LS04	14M, 14P, 25N, 13R, 11M	14M 2, 11M 3, 4, 5	14	7H			
74LS06	12B		14	7A			
74LS08	13M, 27N	13M 2, 3, 4, 27N 3, 4	14	7H			
74LS09	28K	28K 4	14	7D			
74LS11	16P		14	7H			
74LS14	5P	5P 1, 3	14	7D			
74LS14	14E		14	7B			
74LS10	2P		14	7D			
74LS32	16M, 16N	16M 2	14	7H			
74LS42	15J		16	8B			
74LS74	16J, 17E, 17J, 18M		14	7B			
74LS86	15H		14	7B			
74LS96	14J		5	12B			
74LS109	13E, 13H, 26M		16	8B			
74LS123	17H		16	8B			
74LS139	14R, 17R	14R 1	16	8H			
74LS153	13J		16	8B			
74LS161	8N, 8P		16	8H			
74LS173	18R, 19R		16	8H			
74LS188	4P		16	8H			
74LS244	17P, 18P, 22M		20	10H			
74LS273	19M, 20M		20	10H			
74LS279	13N	13N 2	16	8H			
74LS373	20P		20	10H			
74LS393	24R		14	7H			
74LS670	17N, 18N		16	8H			
74LS04	15E	15E 2, 5	14	7B			
74LS09	16H	16H 4	14	7B			
74LS00	16E	16E 3, 4	14	7B			
75113	8R		16	8H			
75116	11R		16	8H			
75462	13PA, 13PB	13PB 2	8	4H			
75453	3R, 4R, 5R		8	4H			
10124	10L	10L 2	9	16B			8
10102	8L	8L 1, 2		1, 16B			8
10105	7K	7K 3		1, 16B			8
10102	2C			1, 16C			8
10102 A	3L			1, 16C			8A
10105	1C, 4M, 1E	1E 3		1, 16C			8
10107	4B			1, 16C			8
10124	1B		9	16C			8
10125	8M		9	16C			8
10131	2E, 4C, 6M, 7D			1, 16C			8
10131 A	2L, 4L			1, 16C			8A
10131	7L, 8K, 10K			1, 16B			8
10125	12K		9	1, 16B			8
1352	17A			16B			
1408	20L		13	2D			
1414	28E, 23K, 26E			11D	3, 10		7, 14
1458	21C, 21J, 22E, 22L, 23B, 23F, 26M, 24J				8	4	
1648	13L			1, 14B			7, 8
10116	7H			1, 5C			8R
2708	19N		24	12H	19		21
2907	4N			5D	9		
3046	8A						
8035	22R		40, 26	20H			
8243	23P		24	12H			
8253	22N		24	12H			
8286	19P		20	10H			
741	19J, 24C				7	4	
741 R	15L				7R	4R	
DG220	21K, 23C, 23H, 26J, 26L			3D	12	7	
LM339	27B		3	12D			
527 R	19C, 1A		14R	10	12R	6R	
M14	9E			11B	3, 10		7, 14
74LS161	14H		16	8B			
74LS00	27U, 26K		14	7D			
			14	7D			
			14	7D			
74LS74	28J		14	7D			
7408	11N		14	7H			
LF351	34						



REFERENCE DESIGNATIONS	
LAST USED	NOT USED
C204	C2, 4, 5, 90, 36
CR6B	
J8	J4
L4	
Q50	
R402	R288, R190
RP9	R191, R192
TP18	
WI7	W1, W2
Y1	



MATERIAL	TOLERANCE UNLESS OTHERWISE NOTED	TITLE	
		LOGIC DIAGRAM	
		MAIN P.C.B. 3350	
HARDNESS	ANGULAR ±	DESIGN	SCALE
SURFACE TREATMENT	CORNERS ±	DETAIL	SHEET 9 OF 9
	EDGES ±	MAX DFTG CHK	200039
	BROKEN ±	INSIDE ±	APPRO

PRNAM