

4

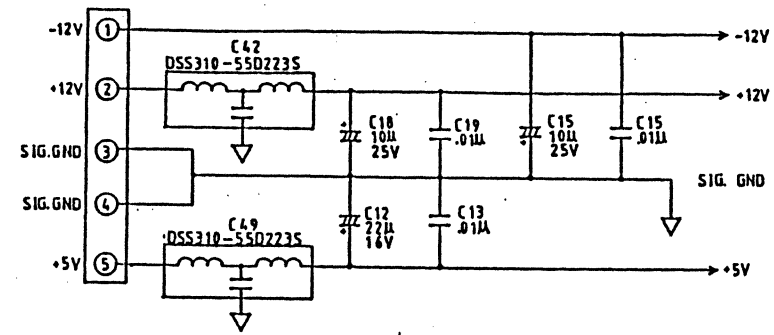
3

2

1

- NOTES: UNLESS OTHERWISE SPECIFIED.
1. RESISTANCE VALUES ARE IN OHMS, 1/4W, ±5%.
  2. CAPACITANCE VALUES ARE IN FARADS, 50V.
  3. VOLTAGES ARE DIRECT CURRENT.
  4. TYPE IDENTIFICATION FOR 7400-SERIES IC'S IS OBTAINED BY PREFIXING NUMBER WITH 74. EXAMPLE: LS04=74LS04.
  5. JUMPER: W3 SELECT UNDERLINE ATTRIBUTE AT THE 10th SCAN LINE.  
W4 SELECT UNDERLINE ATTRIBUTE AT THE 9th SCAN LINE. (DEFAULT)

REVISIONS				
ZONE	REV.	DESCRIPTION	DATE	APPROVED



**PRELIMINARY**  
NOT FINALIZED

Q1	Q2	Q3	PART OR IDENTIFYING NO.	DESCRIPTION OR DESCRIPTION	NATIONAL SPECIFICATION	REP. NO.

INCHES MAY BE IN BOTH INCHES AND MILLIMETERS WITH THIRD ANGLE PROJECTIONS AS FOLLOWS:

UNLESS OTHERWISE SPECIFIED TOLERANCES ARE:

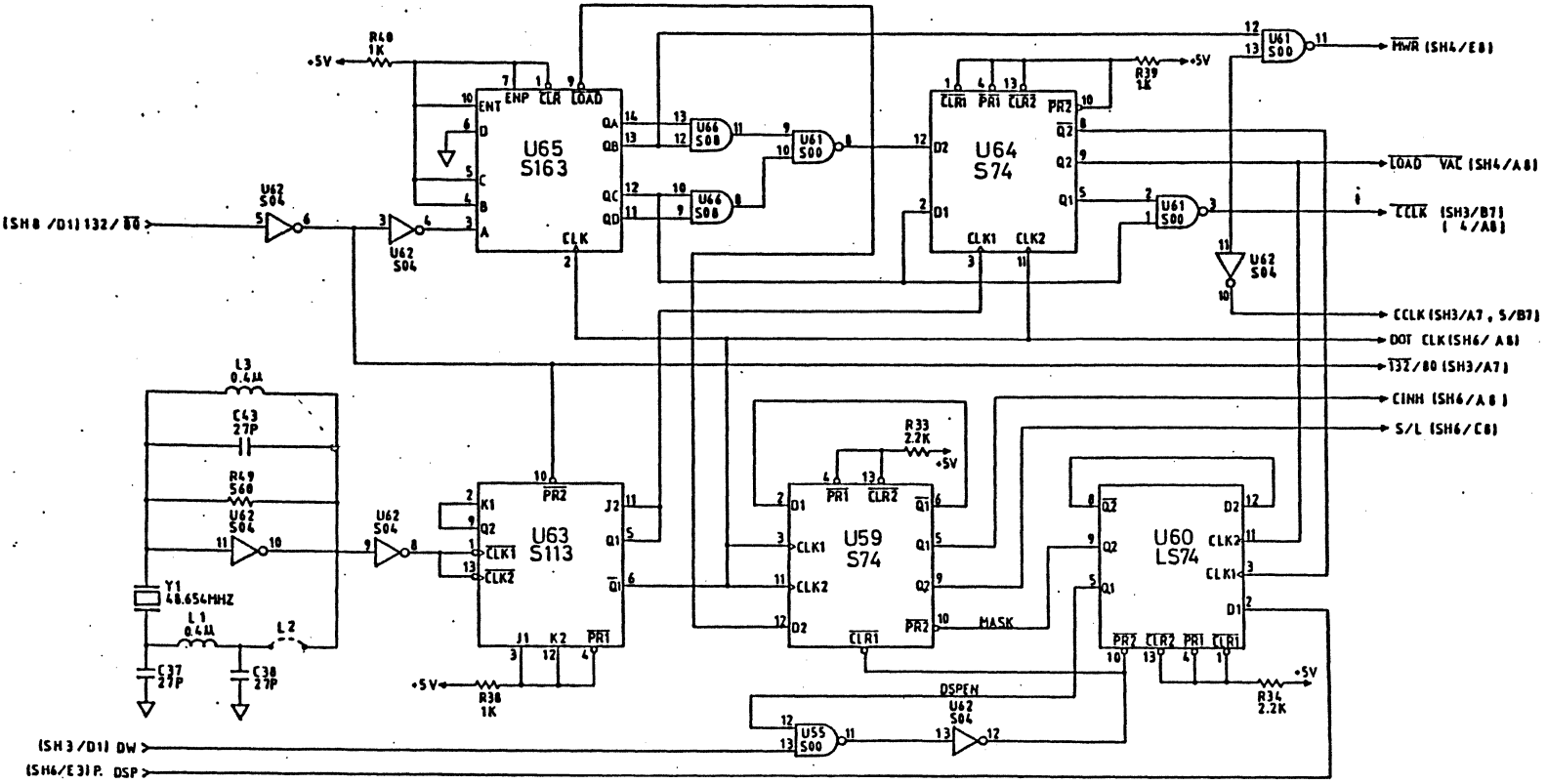
APPROVALS	DATE

**Qume**

201

SIZE C DWG. NO. 301488-02

SCALE DO NOT SCALE DRAWING SHEET 1/



**PRELIMINARY**  
NOT FINALIZED

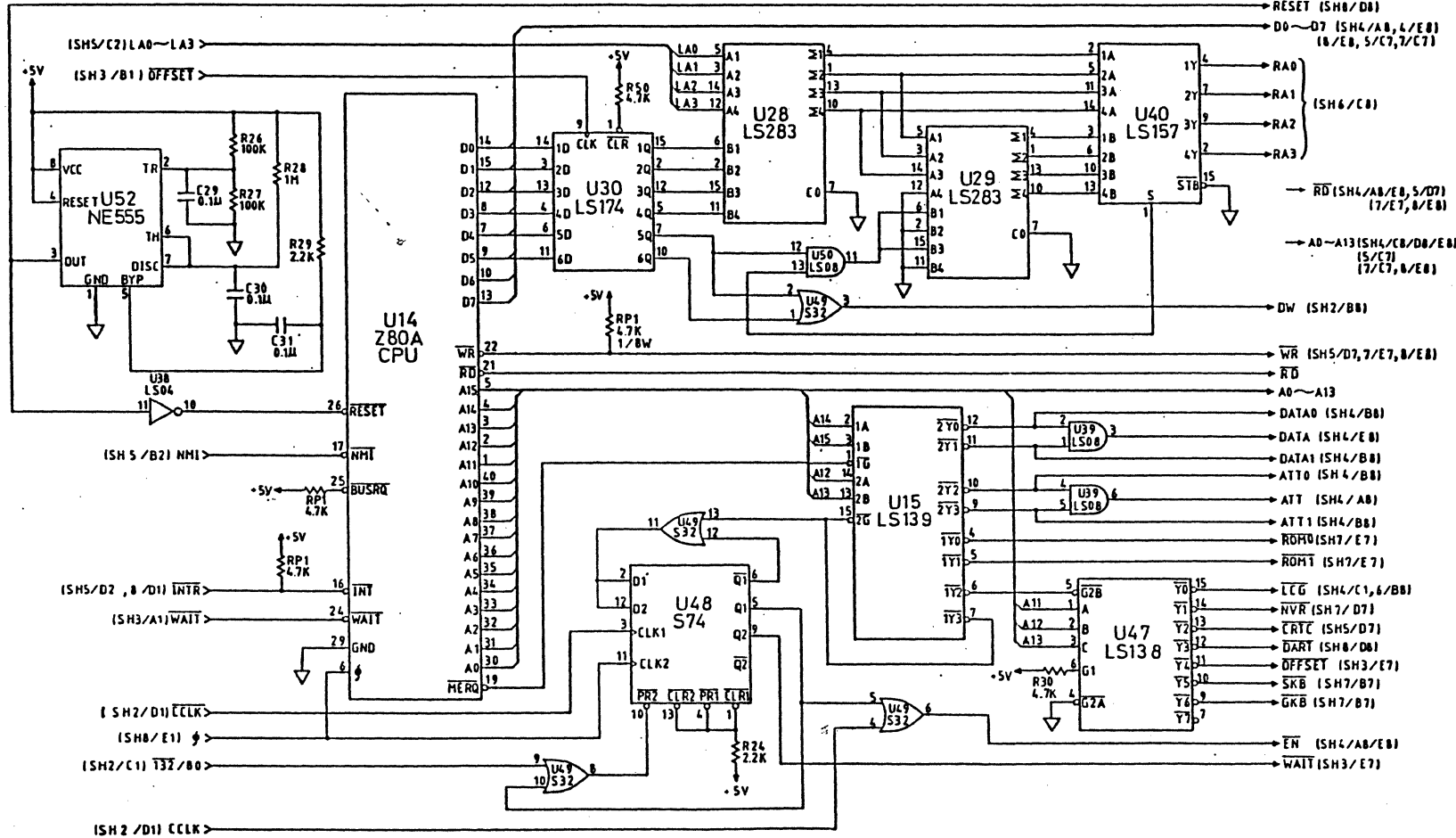
SIZE C	REV	ID.	DWG. NO. 201	REV.
SCALE			DO NOT SCALE DRAWING	SHEET 2 OF

D

C

B

A



**PRELIMINARY**  
 NOT FINALIZED

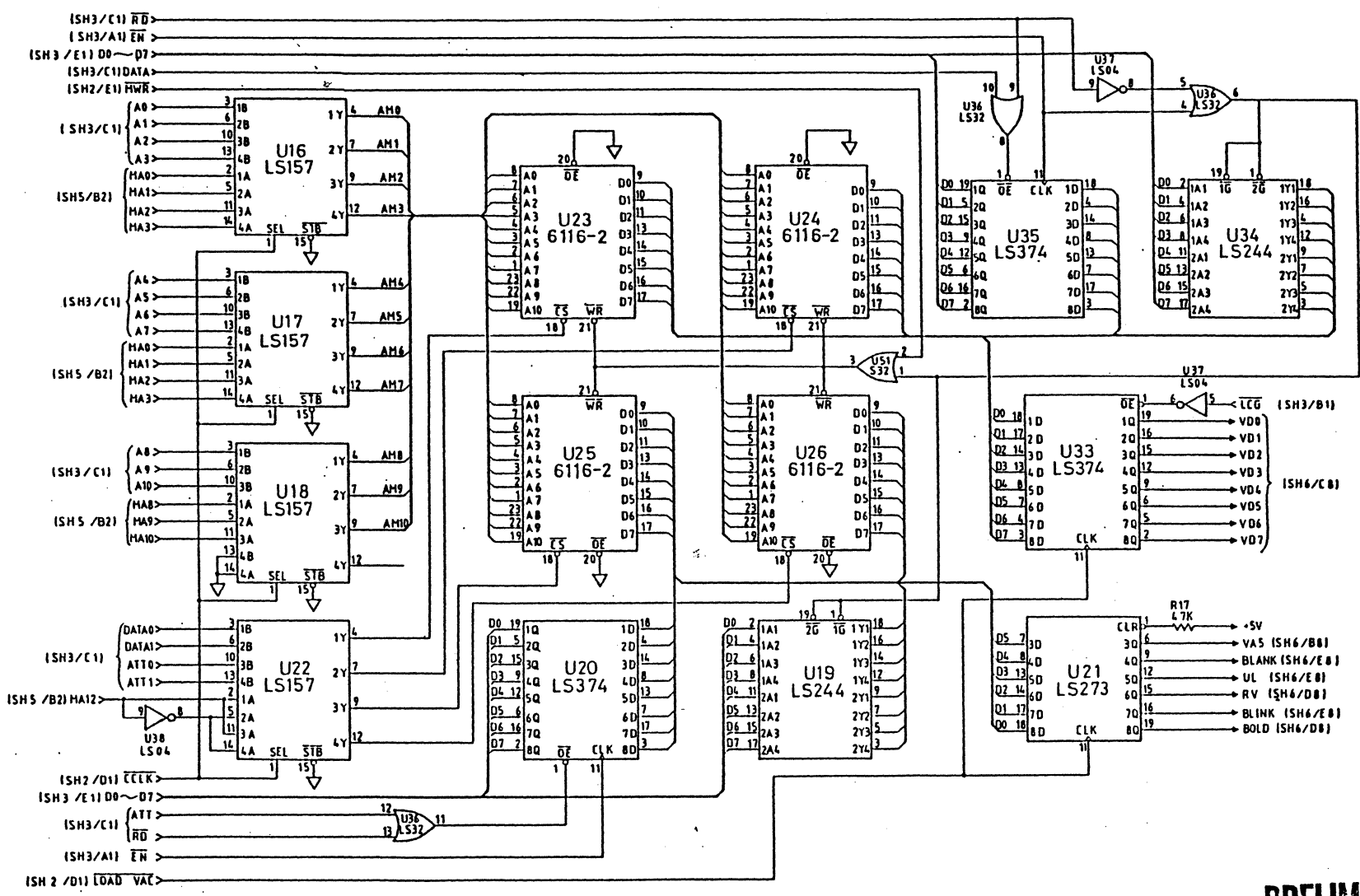
SIZE	AEI	REV	ID	DWG. NO.	REV.
C				201	
SCALE	DO NOT SCALE DRAWING			SHEET 3	OF

D

C

B

A

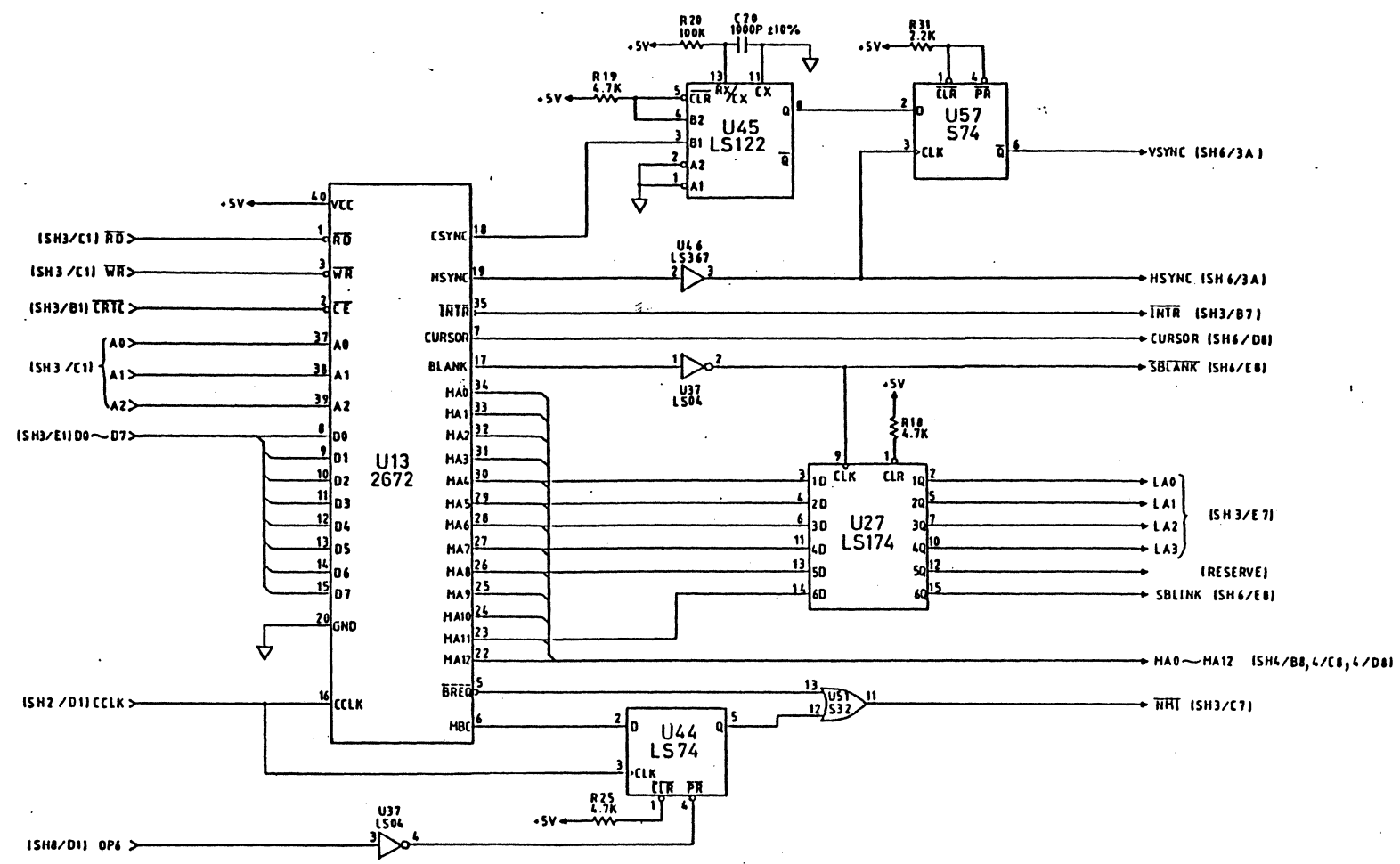


PRELIMINARY  
NOT FINALIZED

SIZE	REV	ID.	DWG. NO.	REV.
C			201	
SCALE	DO NOT SCALE DRAWING		SHEET	4 OF

SHARP CORPORATION

D  
C  
B  
A



**PRELIMINARY**  
NOT FINALIZED

SIZE	REV	ID.	DRG. NO.	REV.
C			201	
SCALE		DO NOT SCALE DRAWING		SHEET 5 OF

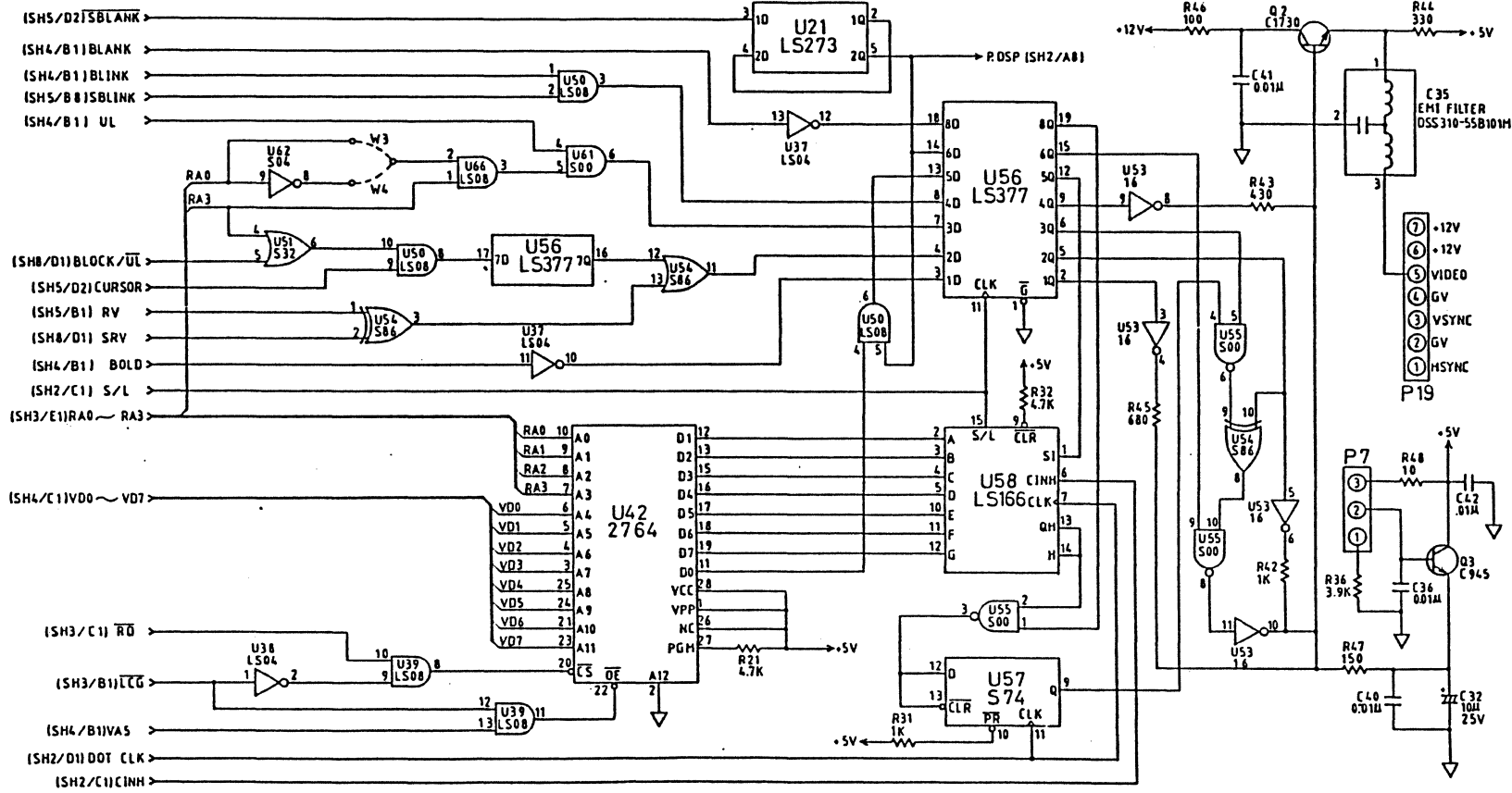
© SHARP CORPORATION 1985  
SHARP IS THE REGISTERED TRADEMARK OF SHARP CORPORATION

D

C

B

A



**PRELIMINARY**  
NOT FINALIZED

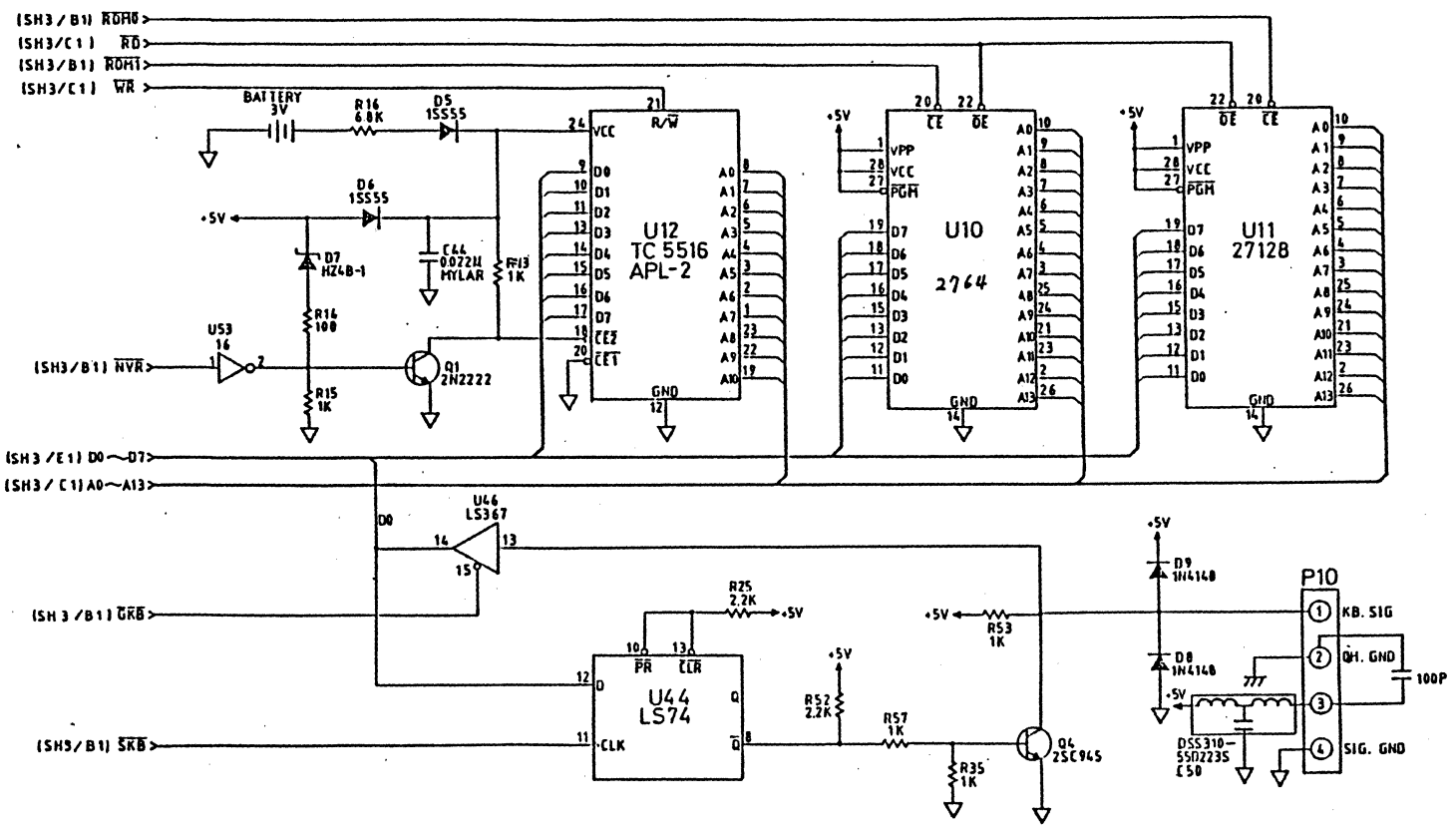
SIZE	REV	ID.	DWG. NO.	REV.
C			201	
SCALE		DO NOT SCALE DRAWING SHEET 6 OF		

D

C

B

A



**PRELIMINARY**  
NOT FINALIZED

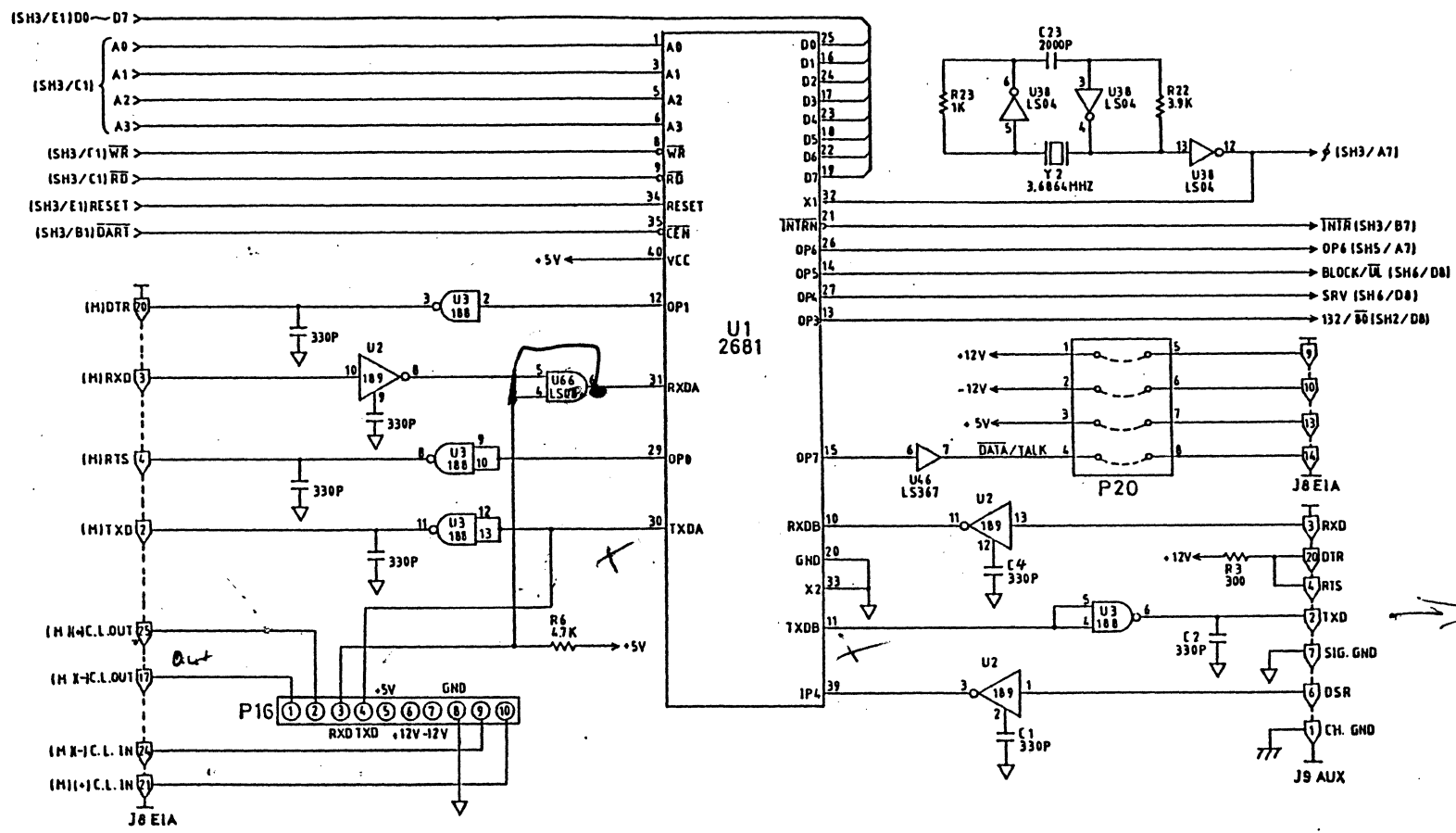
SIZE	REV	ID.	DWG. NO.	
C			201	
SCALE	DO NOT SCALE DRAWING		SHEET	7 OF

4

3

2

1



**PRELIMINARY**  
NOT FINALIZED

SIZE	REV	ID.	DWG. NO.	REV.
C			201	
SCALE	DO NOT SCALE DRAWING		SHEET 8	OF