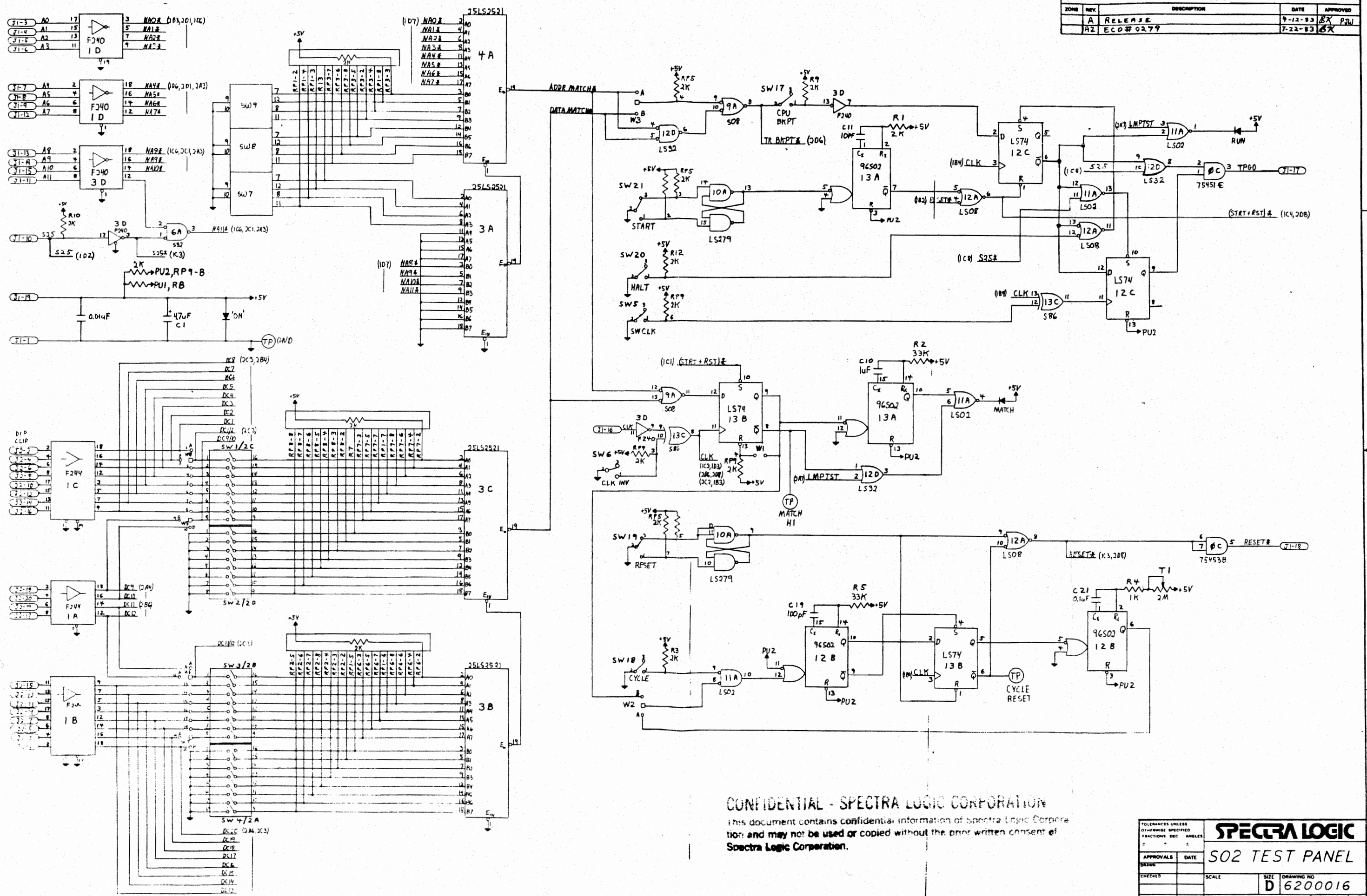


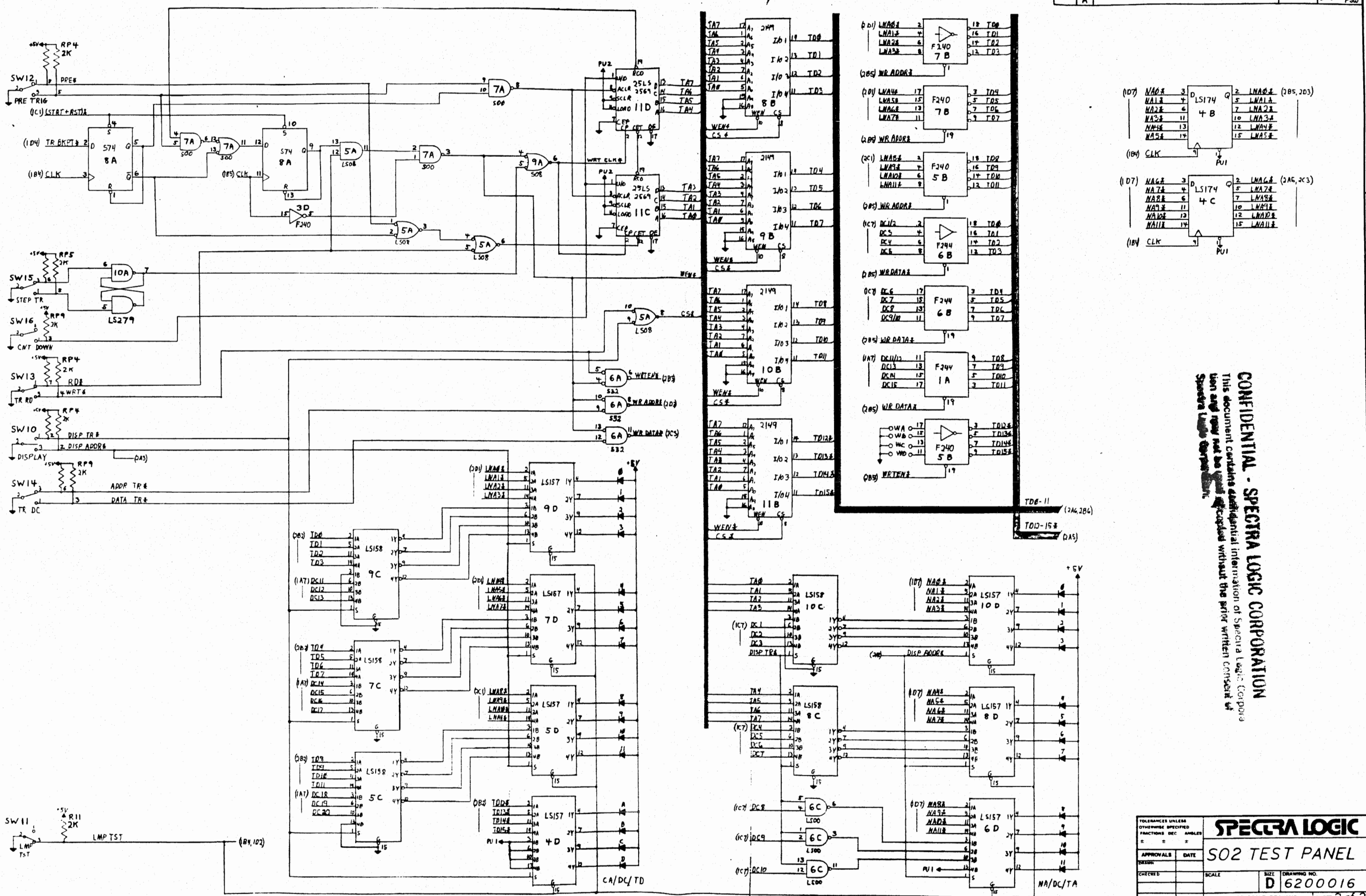
REV. NO.		REV.	DATE	APPROVED
A		RELEASE	9-12-83	PKJ
A2		ECO# 0279	7-22-83	PKJ



CONFIDENTIAL - SPECTRA LOGIC CORPORATION
 This document contains confidential information of Spectra Logic Corporation and may not be used or copied without the prior written consent of Spectra Logic Corporation.

TOLERANCES UNLESS OTHERWISE SPECIFIED		FRACTIONS DEC ANGLES	
APPROVALS	DATE	SPECTRA LOGIC	
CHECKED	SCALE	S02 TEST PANEL	
	SIZE	D 6200016	
	DRAWING NO.	DO NOT SCALE DRAWING	
	SHEET	1 of 2	

Dwg. No.		REV.	DATE	APPROVED
A				PSJ



CONFIDENTIAL - SPECTRA LOGIC CORPORATION
 This document contains confidential information of Spectra Logic Corporation and may not be used, copied, or disseminated without the prior written consent of Spectra Logic Corporation.

TOLERANCES UNLESS OTHERWISE SPECIFIED FRACTIONS DEC ANGLES		SPECTRA LOGIC S02 TEST PANEL	
APPROVALS	DATE		
DESIGN		D	6200016
CHECKED	SCALE	DO NOT SCALE DRAWING	
		SHEET 2 of 2	