

DATA-SCREEN[®] TERMINALS

REFERENCE DRAWINGS

MODEL: 425

DRAWING SET NUMBER: _____

965036-001

CRT SERIAL NUMBER: 3886

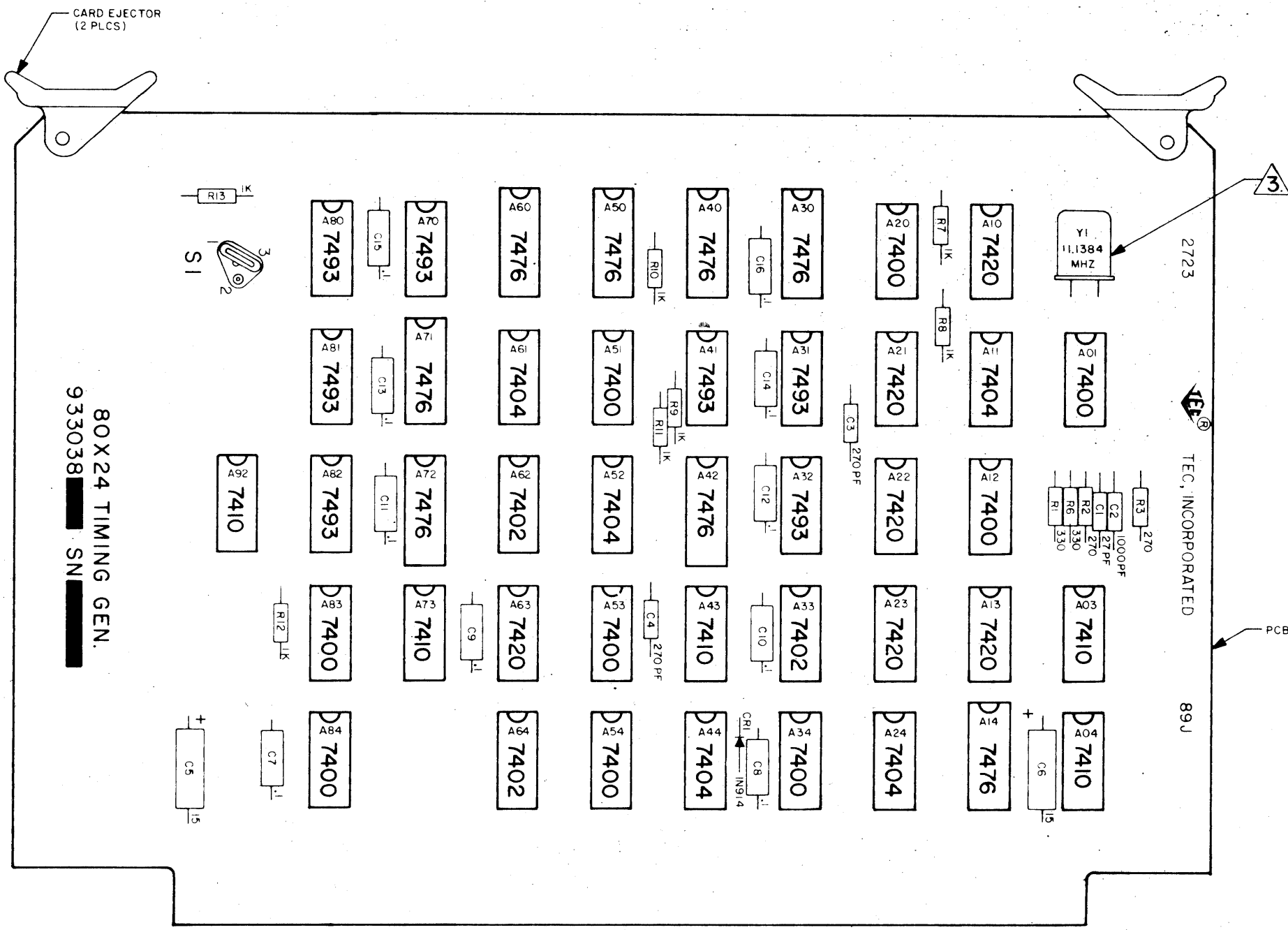
KEYBOARD SERIAL NUMBER: 6122

TEC, Incorporated 2727 NORTH FAIRVIEW AVE. / TUCSON, ARIZONA USA / 85705

THESE DRAWINGS, THEIR DESIGN, DETAIL AND INVENTION ARE THE PROPERTY OF TEC, INCORPORATED, AND SHALL BE USED ONLY FOR REFERENCE WORK ON CONTRACT OR PROPOSAL SUBMITTED BY THIS COMPANY, AND FOR FIELD REPAIR OF TEC PRODUCTS BY TEC'S CUSTOMER OR END USER, AND SHALL NOT BE COPIED OR DISCLOSED TO ANY OUTSIDE PARTY WITHOUT THE EXPRESSED CONSENT OF TEC, INC.

T-933038

REVISIONS				
REV	DESCRIPTION	DCN	APPD	DATE
M	REV B REDRAWN PER DCN	10924		
N	REV PER DCN	10925		



NOTES:

1. APPLICABLE REVISION LEVEL TO BE MARKED ON BOARD AT ASSEMBLY.
2. UNLESS OTHERWISE SPECIFIED:
 1. RESISTORS ARE 1/4W, 5%.
 2. RESISTANCE VALUES ARE IN OHMS.
 3. CAPACITANCE VALUES ARE IN MICROFARADS.
3. CEMENT CRYSTAL TO BOARD.

SWITCH	POSITION	FUNCTION
S1	1-2	SELECT 50HZ OPERATION
	1-3	SELECT 60HZ OPERATION

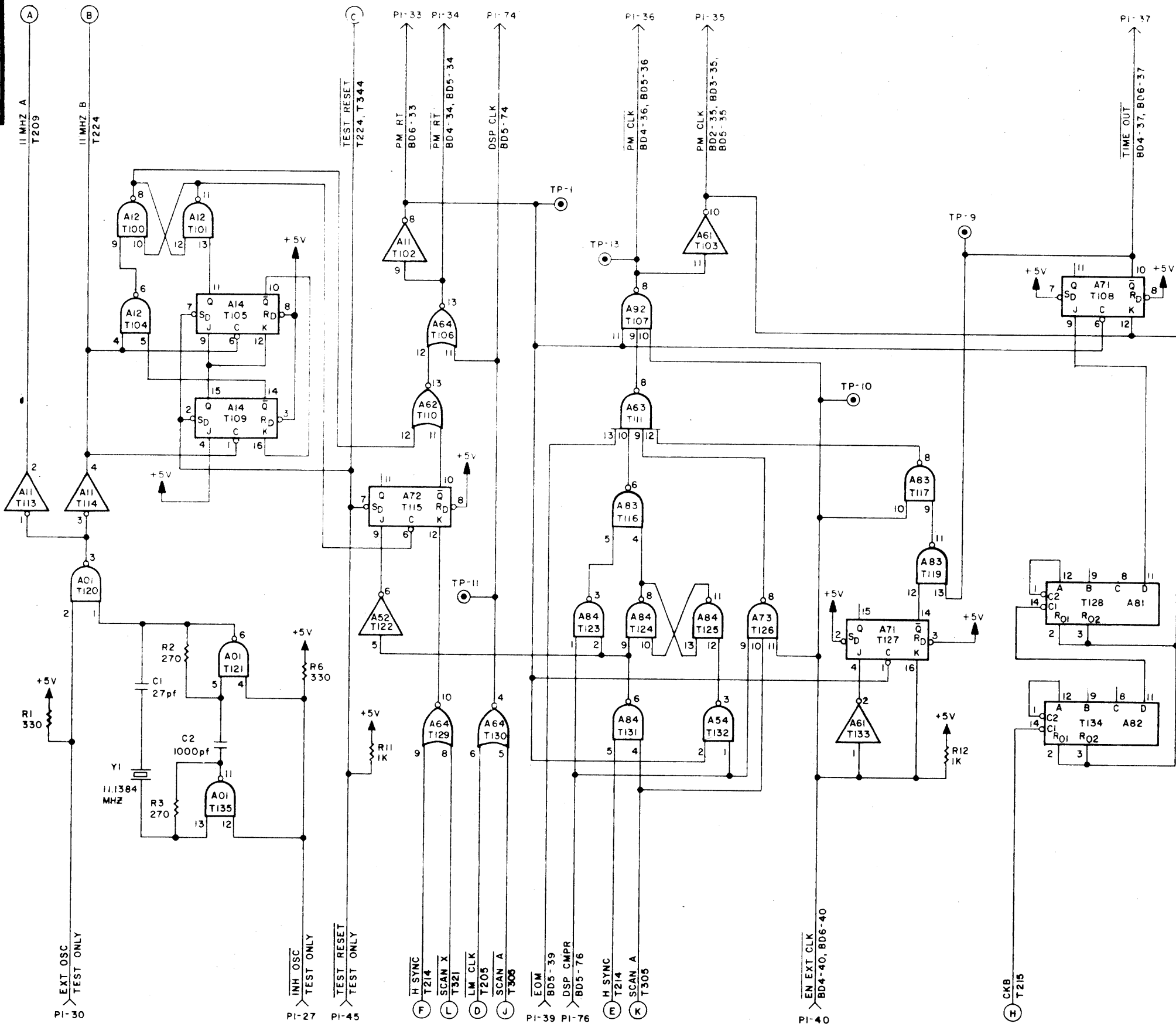
80X24 TIMING GEN.
933038 SN

SCHEMATIC	991937
BILL OF MATERIAL	933038
DESCRIPTION	NUMBER
REFERENCE DOCUMENTS	
TITLE PCB ASSY, 80X24 TIMING GENERATOR	
DRAWN	NIKISHER
CHECKED	
ENGINEER	
APPROVED	
PARTIAL	
FINISH	
4X5	
D T-933038 N	
2/1	

THESE DRAWINGS, THEIR DESIGN, DETAIL AND INVENTION ARE THE PROPERTY OF TEC, INCORPORATED, AND SHALL BE USED ONLY FOR REFERENCE WORK ON CONTRACT OR PROPOSAL SUBMITTED BY THIS COMPANY, AND FOR THE REPAIR OF TEC PRODUCTS BY TEC COPIES OR DISSEMINATION TO ANY OUTSIDE PARTY WITHOUT THE EXPRESSED CONSENT OF TEC, INC.

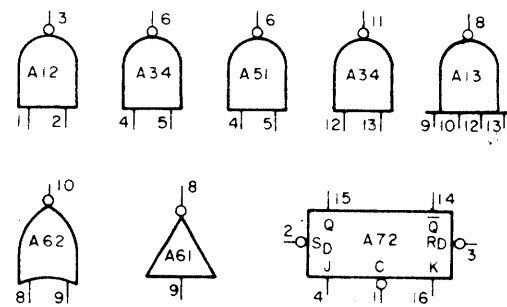
T-991937

L	REV PER DCN	10533
M	REV PER DCN	10924
N	REV PER DCN	10925



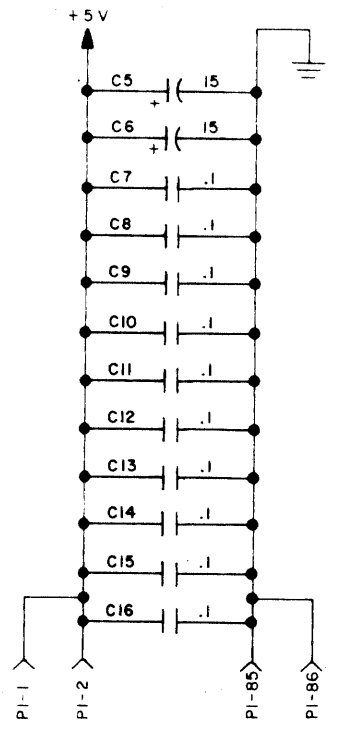
- NOTES:
- UNLESS OTHERWISE SPECIFIED;
1. RESISTORS ARE 1/4W, 5%.
2. RESISTANCE VALUES ARE IN OHMS.
3. CAPACITANCE VALUES ARE IN MICROFARADS.
 - LAST REFERENCE DESIGNATION USED:
C16, R13, Y1, T135, T235, T349, CRI.
 - REFERENCE DESIGNATION NOT USED:
T112, T118

UNUSED ELEMENTS



1	+5V	1	2	+5V	1
2	11 MHZ	3	4		
2	D2C	5	6		
2	DC3	7	8	SKA	3
3	SKB	9	10	SKC	3
3	SKD	11	12	SCAN 4	3
3	SCAN 7	13	14	SCAN 1+7	3
3	SCAN 2+6	15	16	SCAN 3+5	3
2	LD SR	17	18	LM CLK	2
3	SCAN A	19	20	SCAN X	3
2	CG 01	21	22	CG 02	2
2	EN SPLC CHAR	23	24	H SYNC	2
3	CSR BLINK	25	26	V SYNC	3
1	INH OSC	27	28		
		29	30	EXT OSC	1
2	H SYNC	31	32		
1	PM RT	33	34	PM RT	1
1	PM CLK	35	36	PM CLK	1
1	TIME OUT	37	38	CHAR BLINK	3
1	EOM	39	40	EN EXT CLK	1
3	LD REG	41	42	BLANK	2
		43	44		
1	TEST RESET	45	46		
		47	48		
		49	50		
		51	52		
		53	54		
		55	56		
		57	58		
		59	60		
		61	62		
		63	64		
		65	66		
		67	68		
		69	70		
		71	72		
		73	74	DSP CLK	1
3	CRT RST	75	76	DSP CMPR	1
		77	78		
		79	80		
		81	82		
		83	84		
1	GND	85	86	GND	1
PG NAME		PINS		NAME	PG

IC TYPE	LOCATION	GND	+5V
7400	A01,12,20,34,51,53,54,83,84	7	14
7402	A33,62,64	7	14
7404	A11,24,44,52,61	7	14
7410	A03,04,43,73,92	7	14
7420	A10,13,21,22,23,63	7	14
7476	A14,30,40,42,50,60,71,72	13	5
7493	A31,32,41,70,80,81,82	10	5

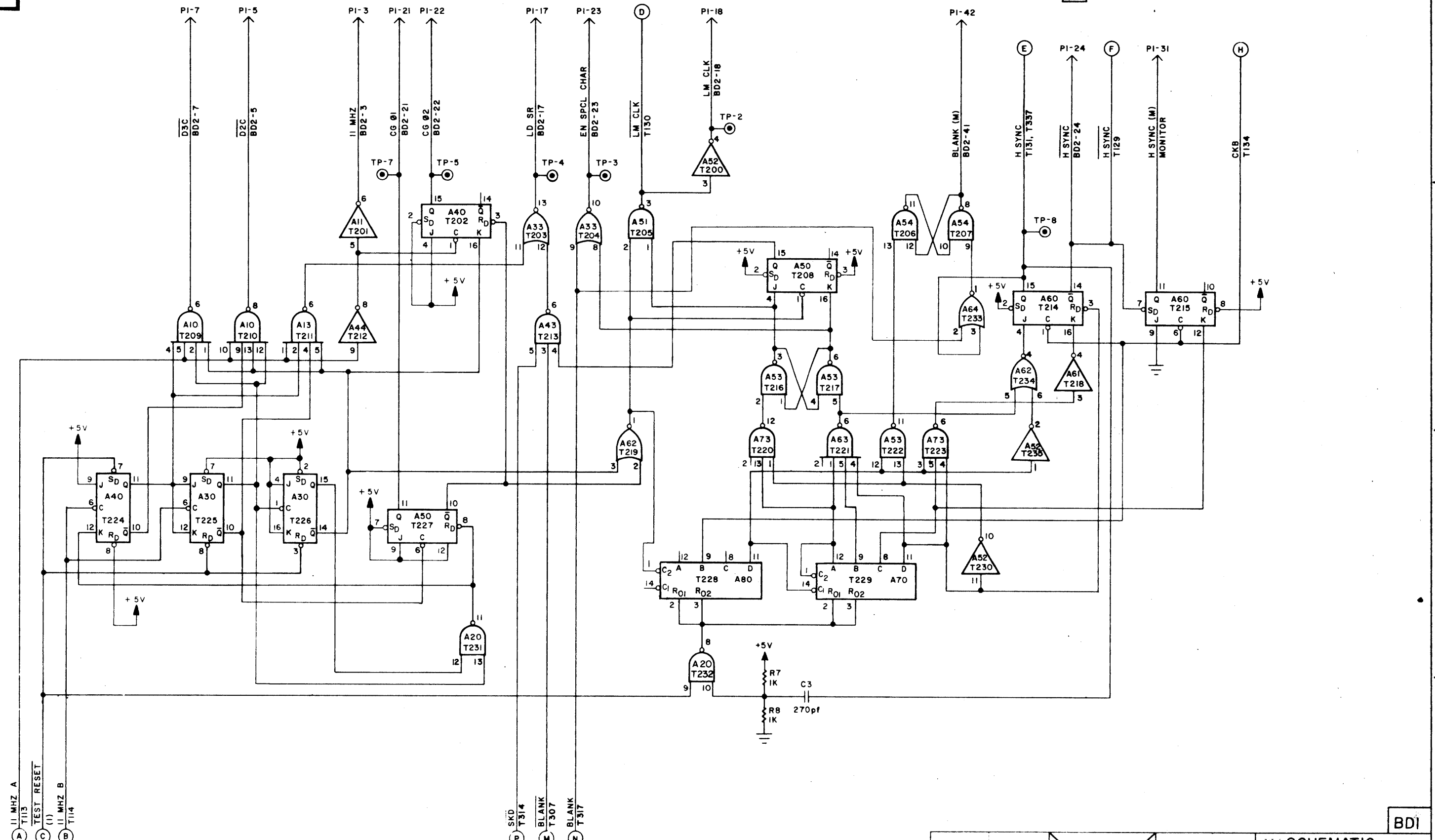


933038	272389J	4X5	TEC, Incorporated	
MATERIAL			DRAWN	D. MARZHALER
FINISH			CHECKED	
			ENGINEER	
			APPROVED	
TITLE		SCHEMATIC-TIMING GENERATOR 80x24		
DRAWING NO		D T-991937		
REV		N		
SCALE		NONE		
SHEET		1 OF 3		

THESE DRAWINGS, THEIR DESIGN, DETAIL AND INVENTION ARE THE PROPERTY OF TEC, INCORPORATED, AND SHALL BE USED ONLY FOR REFERENCE WORK ON CONTRACT OR PROPOSAL SUBMITTED BY THIS COMPANY, AND FOR FIELD REPAIR OF TEC PRODUCTS BY TEC'S CUSTOMER OR END USER, AND SHALL NOT BE COPIED OR DISCLOSED TO ANY OUTSIDE PARTY WITHOUT THE EXPRESSED CONSENT OF TEC, INC.

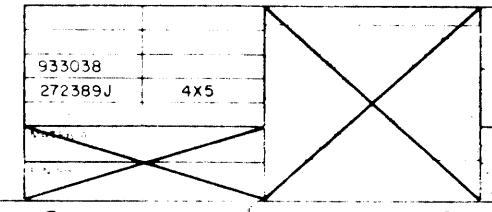
REVISIONS			
NO.	DESCRIPTION	DCN	APPD. DATE
L	REV PER DCN	10533	10 DEC 74
M	REV PER DCN	10924	02 MAY 75
N	REV PER DCN	10925	10 JUN 75

T-991937



11 MHZ A
T113
TEST RESET
(1)
11 MHZ B
T114

SKD
T314
BLANK
T307
BLANK
T317

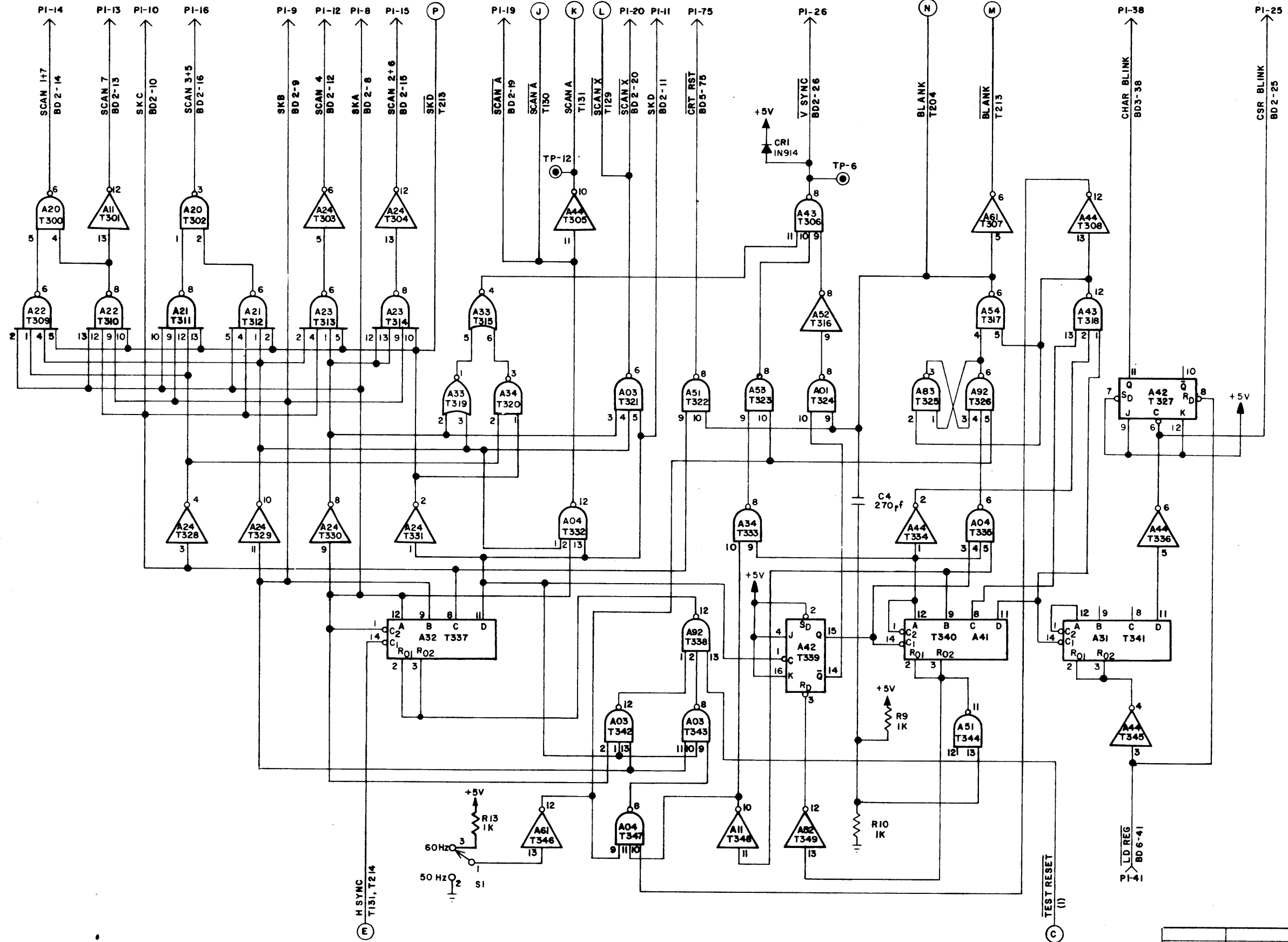


933038		4x5		 TEC Incorporated D. MARTHALER	TITLE SCHEMATIC - TIMING GENERATOR 80 x 24	
272389J					DRAWING NO D T-991937	REV N
NONE		2	3			

BDI

REVISIONS				
REV	DESCRIPTION	DCN	APPD	DATE
L	REV PER DCN	10533		
M	REV PER DCN	10924		
N	REV PER DCN	10925		

T-991937



SWITCH FUNCTION CHART

SWITCH	POSITION	FUNCTION
S1	1-2	SELECT 50 HZ OPERATION
	1-3	SELECT 60 HZ OPERATION

THESE DRAWINGS, THEIR DESIGN, DETAIL AND INVENTION ARE THE PROPERTY OF TEC, INCORPORATED, AND SHALL BE USED ONLY FOR REFERENCE WORK ON CONTRACT OR PROPOSAL SUBMITTED BY THIS COMPANY, AND FOR FIELD REPAIR OF TEC PRODUCTS BY TEC'S CUSTOMER OR END USER, AND SHALL NOT BE COPIED OR DISCLOSED TO ANY OUTSIDE PARTY WITHOUT THE EXPRESSED CONSENT OF TEC, INC.

933038		272389J		4X5	DRAWING NO. D T-991937		REV. N
NEXT ASSY		FIRST USED		DATE		SCALE	
MATERIAL		FINISH		REMOVE ALL BURRS FROM ALL EDGES AND SHARP CORNERS		SHEET 3 OF 3	

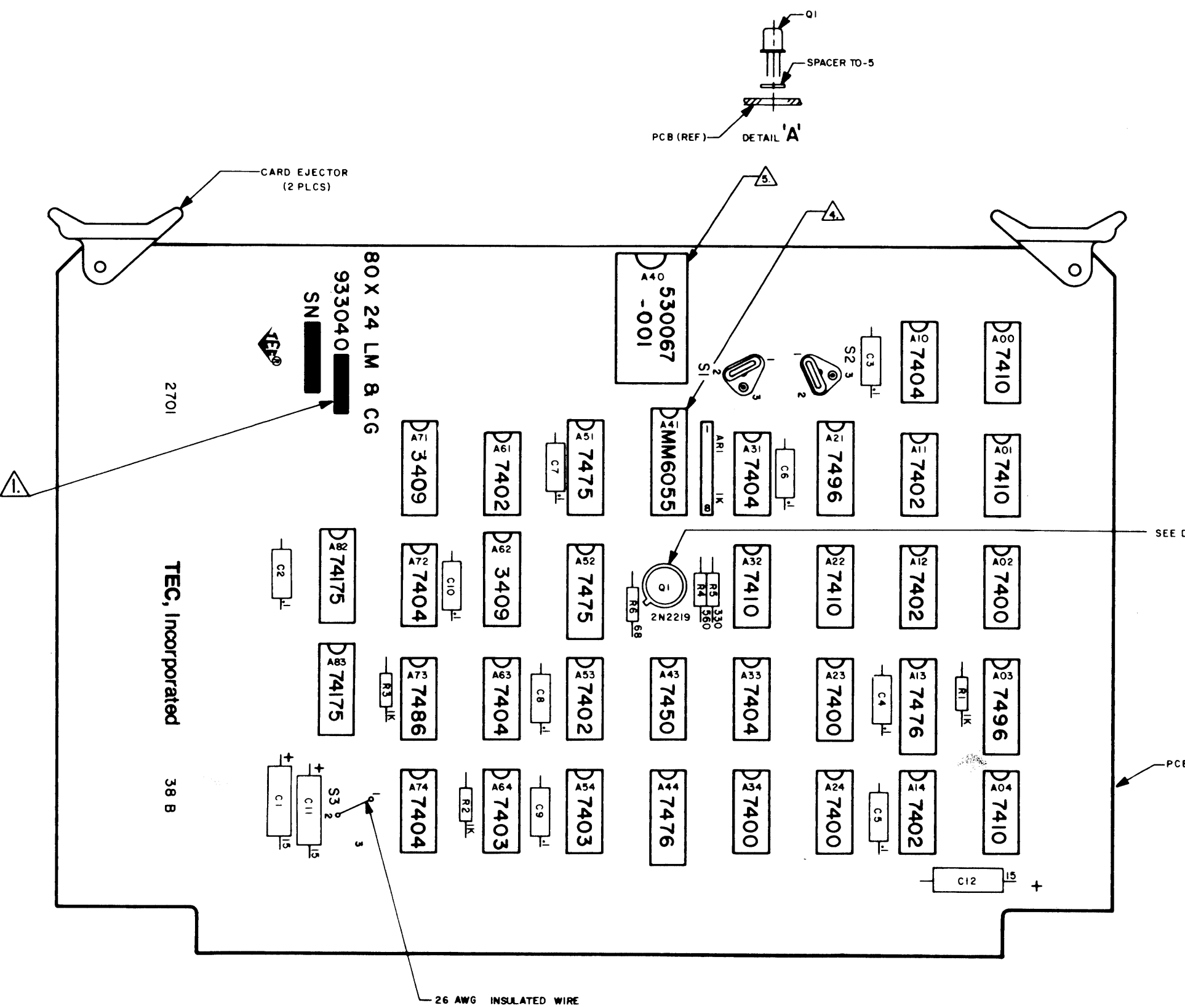
TEC, Incorporated
 DRAWN: G. BARTON
 CHECKED: [Signature]
 ENGINEER: [Signature]
 APPROVED: [Signature]

TITLE: SCHEMATIC-TIMING GENERATOR
 80 X 24
 SIZE: 3-30/7
 SCALE: NONE

THESE DRAWINGS, THEIR DESIGN, DETAIL AND INVENTION ARE THE PROPERTY OF TEC, INCORPORATED, AND SHALL BE USED ONLY FOR REFERENCE WORK ON CONTRACT OR PROPOSAL SUBMITTED BY THIS COMPANY, AND FOR FIELD REPAIR OF TEC PRODUCTS BY TEC'S CUSTOMER OR END USER, AND SHALL NOT BE COPIED OR DISCLOSED TO ANY OUTSIDE PARTY WITHOUT THE EXPRESSED CONSENT OF TEC, INC.

REVISIONS			
REV.	DESCRIPTION	DCN	APPD DATE
W	REV PER DCN	11603	
X	REV PER DCN	11977	
XI	REV PER DCN	12612	MAR 76

933040-XXX



- NOTES:**
- APPLICABLE REVISION LEVEL & DASH NO. TO BE MARKED ON BOARD AT ASSEMBLY.
 - UNLESS OTHERWISE SPECIFIED:
 - RESISTORS ARE 1/4W,5%.
 - RESISTANCE VALUES ARE IN OHMS.
 - CAPACITANCE VALUES ARE IN MICROFARADS.
 - DASH NO. DETERMINED BY AVAILABILITY OF PARTS. SEE CHART BELOW.

DASH NO.	COMPONENTS LOADED	DESCRIPTION
-000	4	18 PIN C.G.
-001	5	24 PIN C.G.

SWITCH FUNCTION CHART			
SWITCH	POSITION	FUNCTION	
S1	1-2	ENABLE	CURSOR SYMBOL
	1-3	DISABLE	DISPLAYED
S2	1-2	ENABLE	CARRIAGE RETURN
	1-3	DISABLE	SYMBOL DISPLAYED
S3	1-2	NORMAL(WHT ON BLK)	VIDEO
	1-3	INVERTED(BLK ON WHT)	SELECT

SCHEMATIC	991939
BILL OF MATERIAL	933040-XXX
DESCRIPTION	NUMBER
REFERENCE DOCUMENTS	

BD. 2

TITLE P.C.B. ASSY—
LINE MEMORY &
CHAR. GEN. 80X24



DRAWN	V.PYLAND	DATE	APR 75	SIZE	3 1/2 X 4 1/2	DRAWING NO.	D 933040-XXX XI	REV	
CHECKED	D.G. HARTWALDER	DATE	APR 75	SCALE	2/1				
ENGINEER	J.T. VALUKAS	DATE	APR 75	SHEET	1				
APPROVED		DATE							

4X5 SERIES	
NEXT ASSY	FIRST USED

THESE DRAWINGS, THEIR DESIGN, DETAIL AND INVENTION ARE THE PROPERTY OF TEC, INCORPORATED, AND SHALL BE USED ONLY FOR REFERENCE WORK ON CONTRACT OR PROPOSAL SUBMITTED BY THIS COMPANY, AND FOR FIELD REPAIR OF TEC PRODUCTS BY TEC'S CUSTOMER OR END USER, AND SHALL NOT BE COPIED OR DISCLOSED TO ANY OUTSIDE PARTY WITHOUT THE EXPRESSED CONSENT OF TEC, INC.

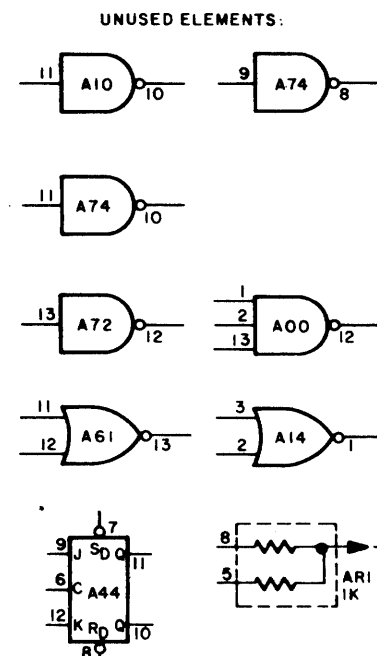
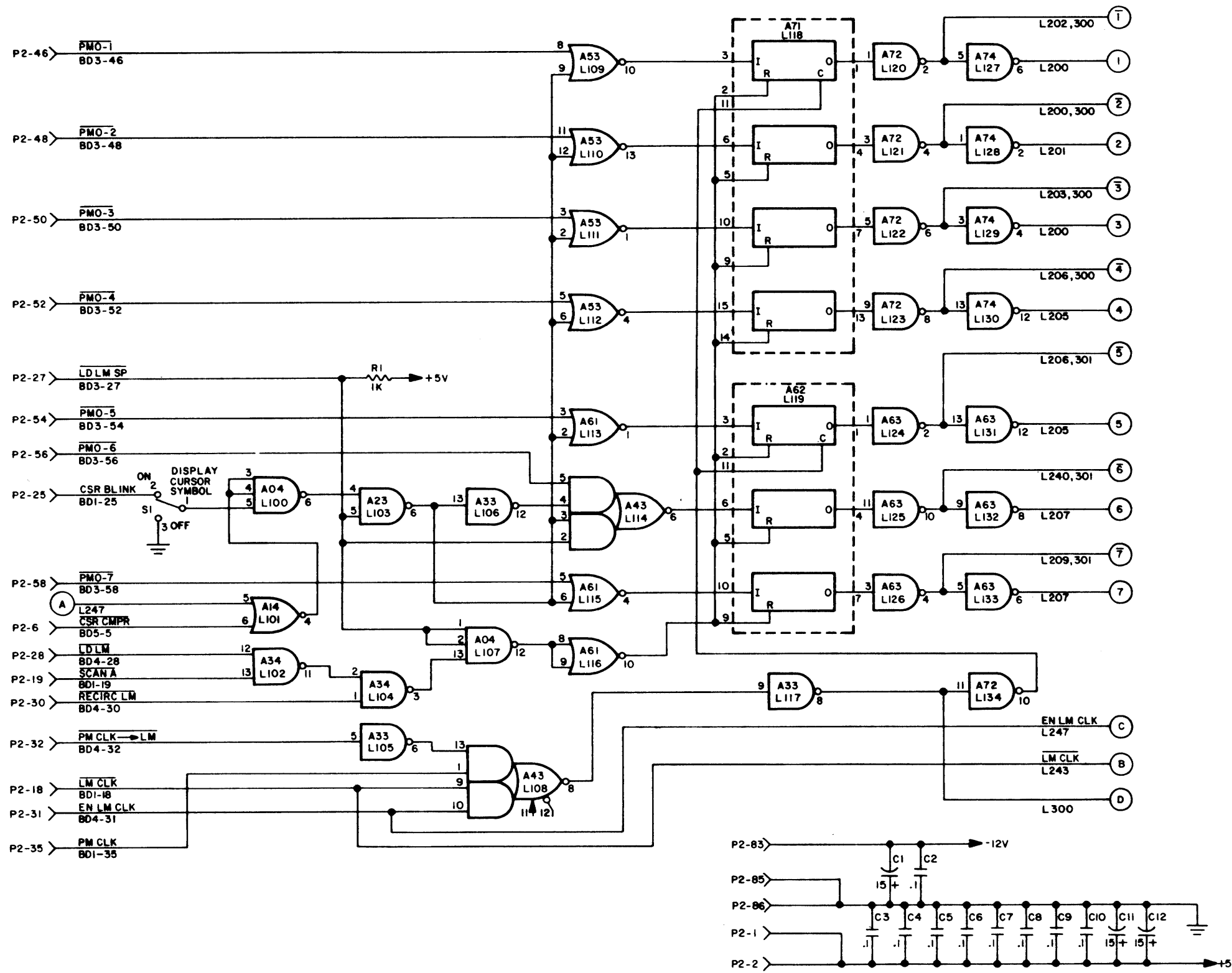
DASH NO.	DESCRIPTION	COMPONENTS LOADED
-000	18 PIN CHAR. GEN.	△
-001	24 PIN CHAR. GEN.	△

SWITCH FUNCTION CHART			
SWITCH	POSITION	FUNCTION	
S1	1-2	ENABLE	CURSOR SYMBOL DISPLAYED
	1-3	DISABLE	DISPLAYED
S2	1-2	ENABLE	CARRIAGE RETURN SYMBOL DISPLAYED
	1-3	DISABLE	SYMBOL DISPLAYED
S3	1-2	NORMAL(WHT ON BLK)	VIDEO
	1-3	INVERTED(BLK ON WHT)	SELECT

991939

REVISIONS				
REV	DESCRIPTION	DCN	APPR	DATE
W	REV PER DCN	11603		25 JUN 74
X	REV PER DCN	11977		15 JUN 74
XI	REV PER DCN	12612		15 JUN 74

- NOTES:
- UNLESS OTHERWISE SPECIFIED:
 - RESISTORS ARE 1/4W, 5%.
 - RESISTANCE VALUES ARE IN OHMS.
 - CAPACITANCE VALUES ARE IN MICROFARADS.
 - LAST REFERENCE DESIGNATIONS USED: L134, L261, L309, S3, TP-3, R6, Q1.
 - REFERENCE DESIGNATIONS NOT USED:

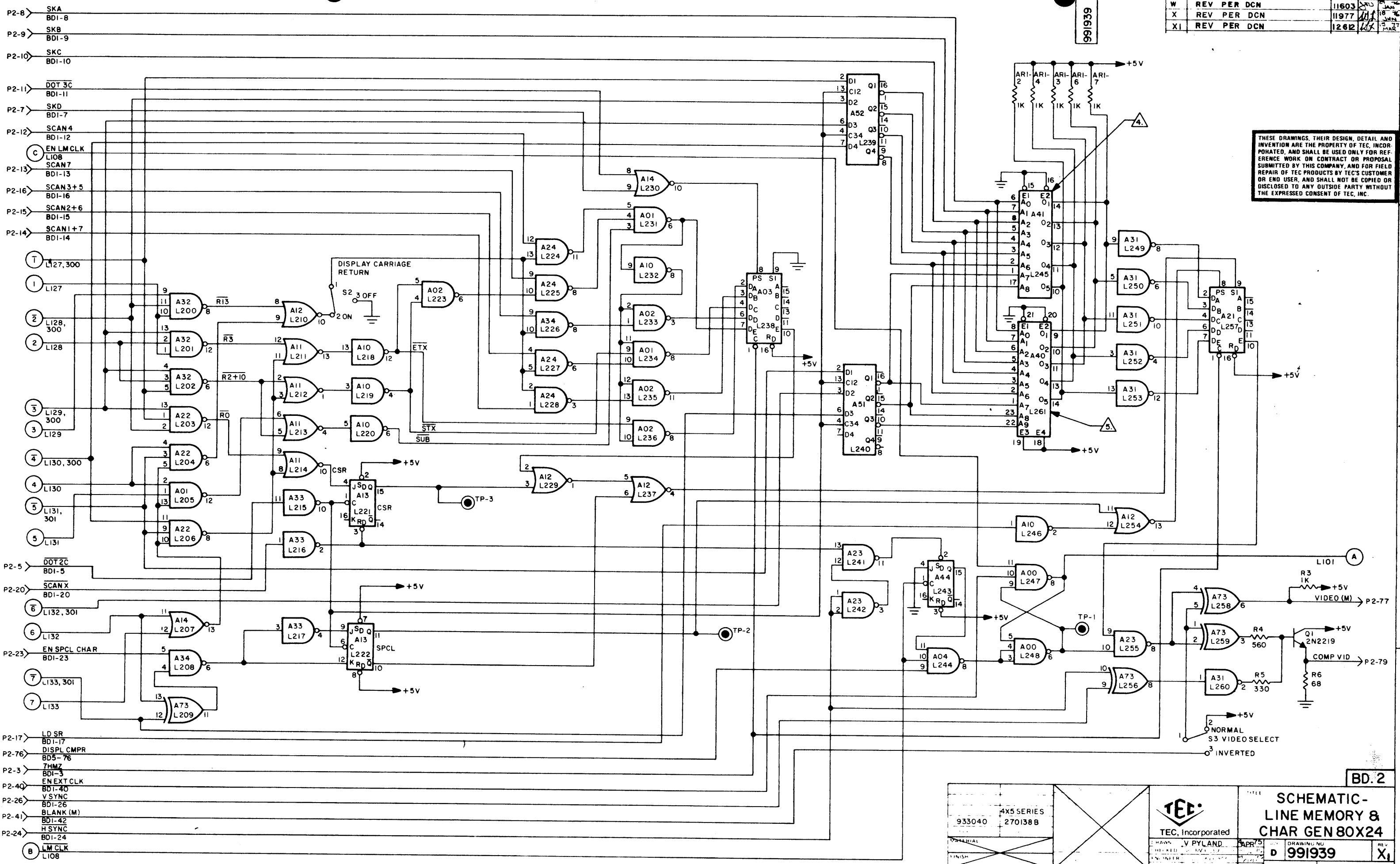


1	+5V	1	2	+5V	1
2	7MHZ	3	4		
2	DOT 2C	5	6	CSR CMPR	1
2	SKD	7	8	SKA	2
2	SKB	9	10	SKC	2
2	DOT 3C	11	12	SCAN 4	2
2	SCAN 7	13	14	SCAN1+7	2
2	SCAN 2+6	15	16	SCAN3+5	2
2	LDSR	17	18	LM CLK	1
1	SCAN A	19	20	SCAN X	2
		21	22		
2	EN SPCLCHAR	25	24	HSYNC	2
1	CSR BLINK	25	26	V SYNC	2
1	LD LM SP	27	28	LD LM	1
3	LM → PM	29	30	RECIRC LM	1
1	EN LM CLK	31	32	PM CLK → LM	1
		33	34		
1	PM CLK	35	36		
		37	38		
		39	40	ENEXT CLK	2
2	BLANK (M)	41	42		
		43	44		
3	PMI-1	45	46	PMO-1	1
3	PMI-2	47	48	PMO-2	1
3	PMI-3	49	50	PMO-3	1
3	PMI-4	51	52	PMO-4	1
3	PMI-5	53	54	PMO-5	1
3	PMI-6	55	56	PMO-6	1
3	PMI-7	57	58	PMO-7	1
		59	60		
		61	62		
		63	64		
		65	66		
		67	68		
		69	70		
		71	72		
		73	74		
		75	76	DISPL CMPR	2
2	VIDEO (M)	77	78		
2	COMP VID	79	80		
		81	82		
1	-12V	83	84		
1	GND	85	86	GND	1
PG	NAME	PIN	NAME	PG	

I.C. TYPE	LOCATION	GND	+5V	-12V
MM6055	A41	9	18	
7400	A02, 23, 24, 34	7	14	
7402	A11, 12, 14, 53, 61	7	14	
7403	A54, 64	7	14	
7404	A10, 31, 33, 63, 72, 74	7	14	
7410	A00, 01, 04, 22, 32	7	14	
7450	A43	7	14	
7475	A51, 52	12	5	
7476	A13, 44	13	5	
7486	A73	7	14	
7496	A03, 21	12	5	
74175	A82, 83	8	16	
3409	A62, 71	8	16	12
530067	A40	12	24	

DO NOT SCALE DRAWING UNLESS OTHERWISE SPECIFIED. DIMENSIONS ARE IN INCHES AND TOLERANCES ARE FRACTIONS UNLESS OTHERWISE SPECIFIED. PLACE DIMENSIONS IN THIRDS PLACE UNLESS OTHERWISE SPECIFIED.		 TEC, Incorporated	TITLE SCHEMATIC - LINE MEMORY 8 CHAR GEN 80X24	
DRAWN V.PYLAND CHECKED D.G. WARTHALER ENGINEER J.T. VALUKA APPROVED J.T. VALUKA	PART NO. 991939 REV. D DATE 11/73		DRAWING NO. 991939 REV. D DATE 11/73	SCALE NONE SHEET 1 OF 3

REVISIONS				
NO.	DESCRIPTION	DCN	APPRO	DATE
W	REV PER DCN	11603		
X	REV PER DCN	11977		
XI	REV PER DCN	12612		



THESE DRAWINGS, THEIR DESIGN, DETAIL AND INVENTION ARE THE PROPERTY OF TEC, INCORPORATED, AND SHALL BE USED ONLY FOR REFERENCE WORK ON CONTRACT OR PROPOSAL SUBMITTED BY THIS COMPANY, AND FOR FIELD REPAIR OF TEC PRODUCTS BY TEC'S CUSTOMER OR END USER, AND SHALL NOT BE COPIED OR DISCLOSED TO ANY OUTSIDE PARTY WITHOUT THE EXPRESSED CONSENT OF TEC, INC.

933040 4X5 SERIES 270138B	TEC, Incorporated V. PYLAND	SCHEMATIC- LINE MEMORY & CHAR GEN 80X24	
		DRAWING NO D 991939	REV X1

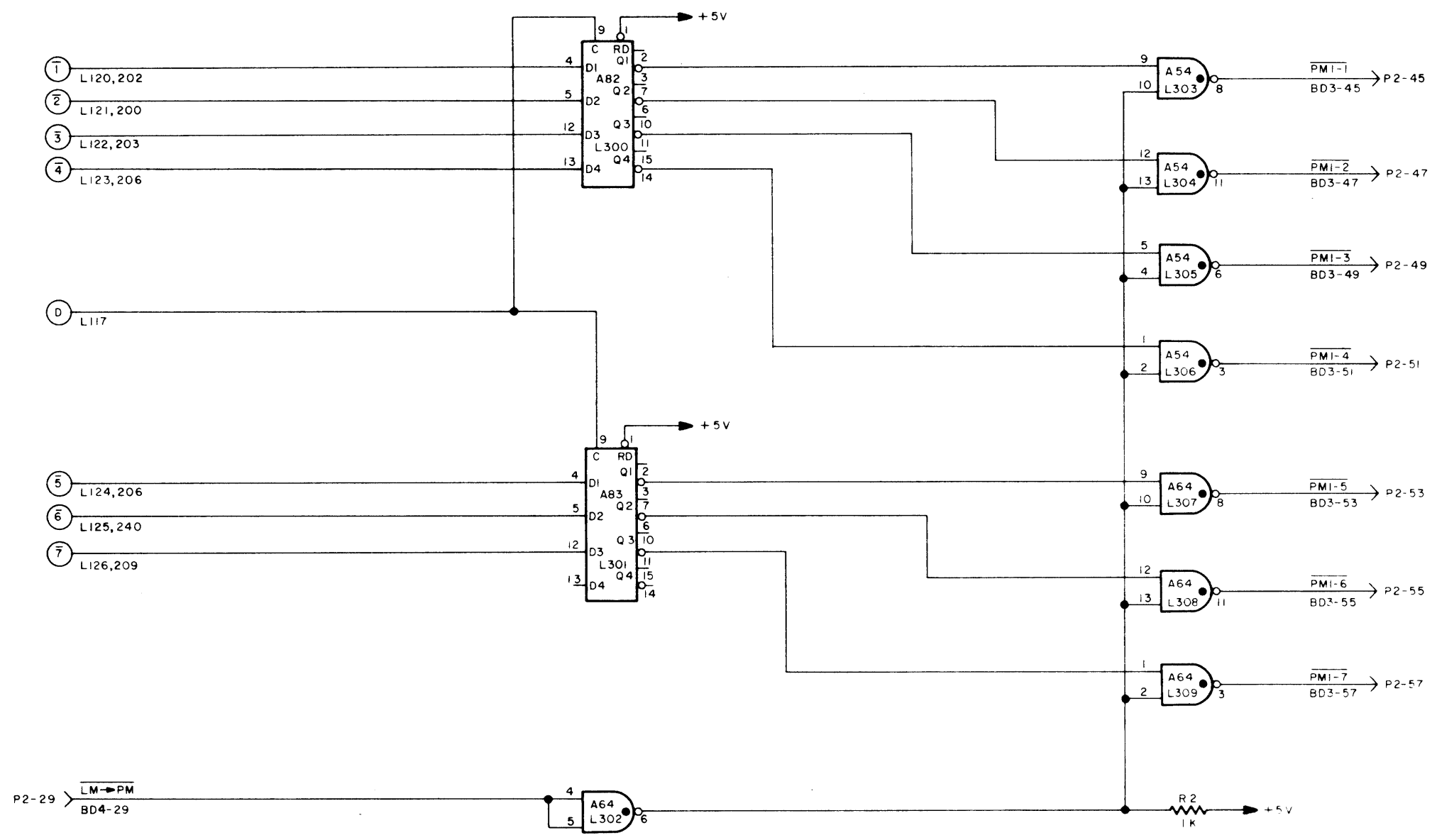
SCALE: NONE
 SHEET: 2 OF 3

BD. 2

THESE DRAWINGS, THEIR DESIGN, DETAIL AND INVENTION ARE THE PROPERTY OF TEC, INCORPORATED, AND SHALL BE USED ONLY FOR REFERENCE WORK ON CONTRACT OR PROPOSAL SUBMITTED BY THIS COMPANY, AND FOR FIELD REPAIR OF TEC PRODUCTS BY TEC'S CUSTOMER OR END USER, AND SHALL NOT BE COPIED OR DISCLOSED TO ANY OUTSIDE PARTY WITHOUT THE EXPRESSED CONSENT OF TEC, INC.

991939

REVISIONS				
REV	DESCRIPTION	DCN	APPD	DATE
W	REV PER DCN	11603		29 JAN 74
X	REV PER DCN	11977		16 FEB 74
XI	REV PER DCN	12612		15 MAR 74



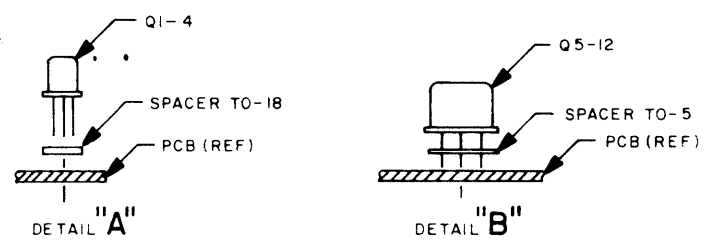
BD. 2

4X5 SERIES 933040 270388		TEC, Incorporated	TITLE SCHEMATIC- LINE MEMORY & CHAR GEN. 80X24	
DRAWN: VAN BEEK 25 APR 73			DRAWING NO. D 991939	
FINISH		ENGINEER		REV. XI
SCALE: NONE		SHEET: 3 OF 3		

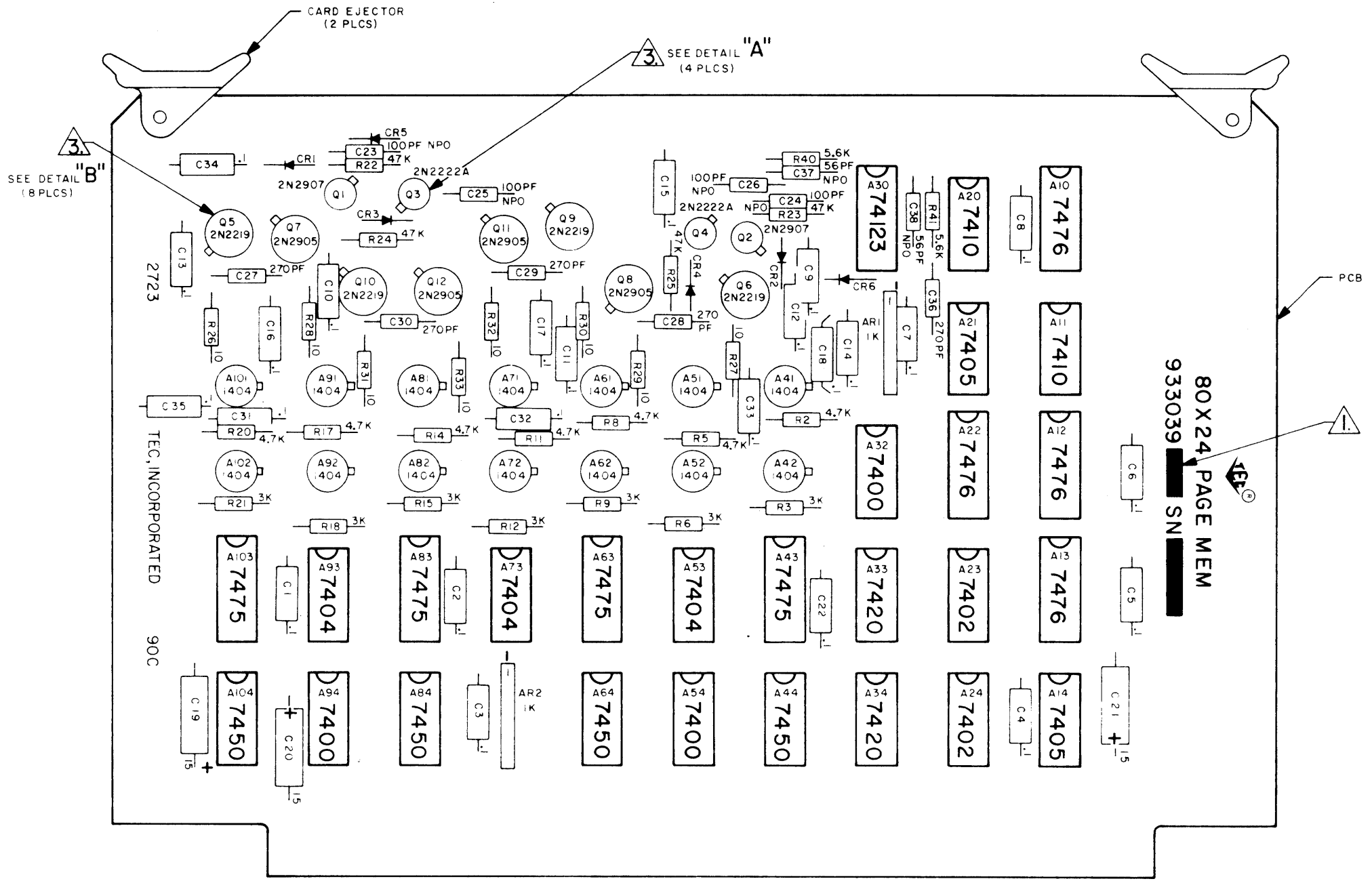
THESE DRAWINGS THEIR DESIGN, DETAIL AND INVENTION ARE THE PROPERTY OF TEC, INCORPORATED, AND SHALL BE USED ONLY FOR REFERENCE WORK ON CONTRACT OR PROPOSAL SUBMITTED BY THIS COMPANY, AND FOR FIELD REPAIR OF TEC PRODUCTS BY TEC'S CUSTOMER OR END USER, AND SHALL NOT BE COPIED OR DISCLOSED TO ANY OUTSIDE PARTY WITHOUT THE EXPRESSED CONSENT OF TEC, INC.

T-933039

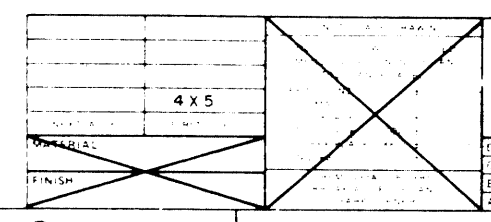
REVISIONS				
REV	DESCRIPTION	DCN	APPD	DATE
K	REV & REDRAWN PER DCN	10910		JUN 75



- NOTES:
1. APPLICABLE REVISION LEVEL TO BE MARKED ON BOARD AT ASSEMBLY.
 2. UNLESS OTHERWISE SPECIFIED;
 1. RESISTORS ARE 1/4W, 5%.
 2. RESISTANCE VALUES ARE IN OHMS.
 3. CAPACITANCE VALUES ARE IN MICROFARADS.
 4. DIODES ARE IN 914.
 3. TRANSISTOR CANS TO HAVE SPACERS UNDERNEATH.



SCHEMATIC	991938
BILL OF MATERIAL	933039
DESCRIPTION	NUMBERS
REFERENCE	DOCUMENTS
TITLE PCB ASSY-PAGE MEMORY 80 X 24	
DRAWN VAN BEEK 10 JUN 75	DRAWING NO. T-933039
CHECKED	REV K
ENGINEER	
APPROVED	

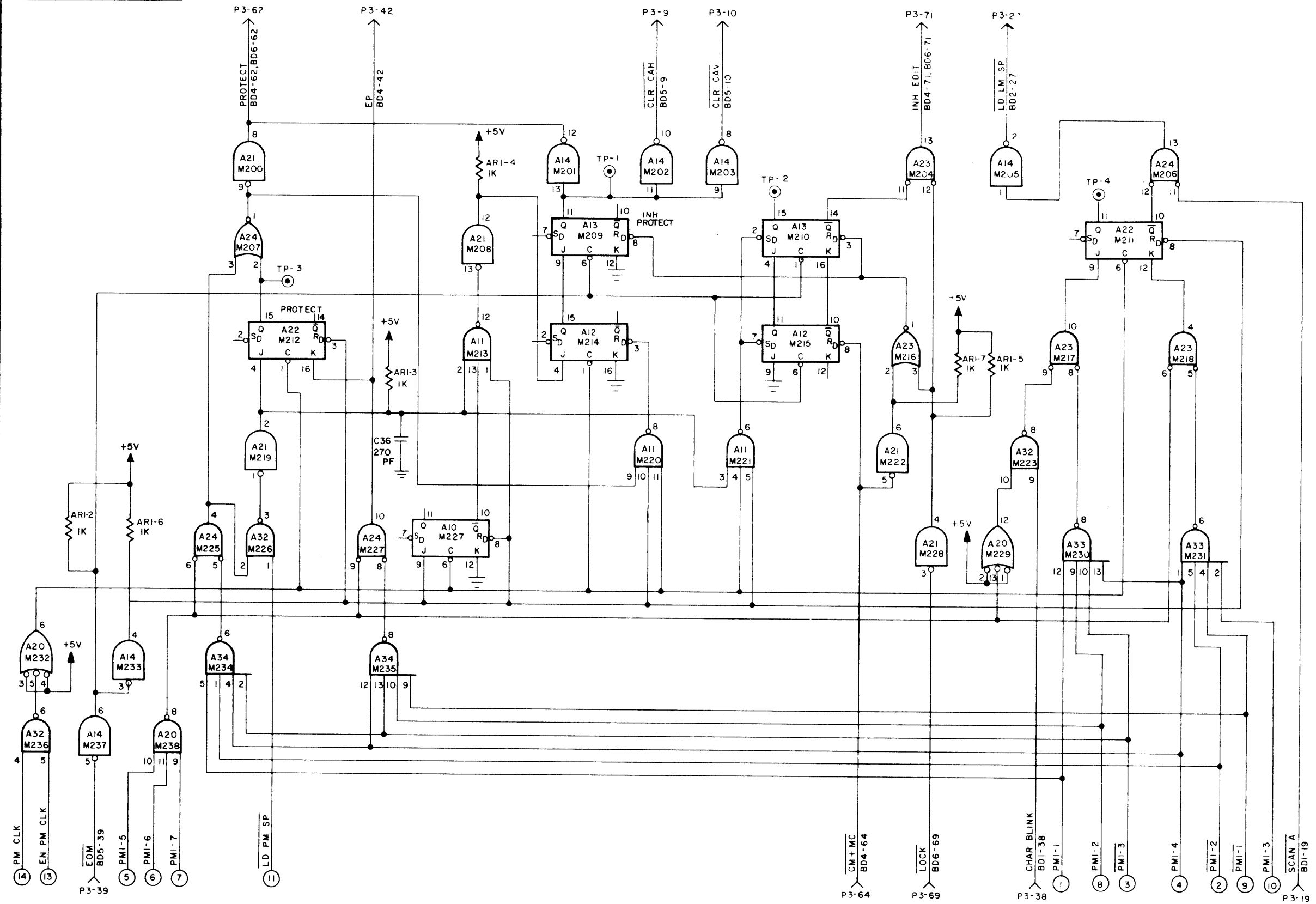


BD. 3

THESE DRAWINGS, THEIR DESIGN, DETAIL AND INVENTION ARE THE PROPERTY OF TEC, INCORPORATED, AND SHALL BE USED ONLY FOR REFERENCE WORK ON CONTRACT OR PROPOSAL SUBMITTED BY THIS COMPANY, AND FOR FIELD REPAIR OF TEC PRODUCTS BY TEC'S CUSTOMER OR END USER, AND SHALL NOT BE COPIED OR DISCLOSED TO ANY OUTSIDE PARTY WITHOUT THE EXPRESSED CONSENT OF TEC, INC.


T-991938

REVISIONS				
REV	DESCRIPTION	DCN	APPD	DATE
F	REV PER DCN	10421		
H	REV PER DCN	10909		
J	REV PER DCN	10960		
K	REV PER DCN	10910		



BD. 3

933039			
27239CC	4 X 5		
NEAR ASSY	FIRST USED		



TEC, Incorporated

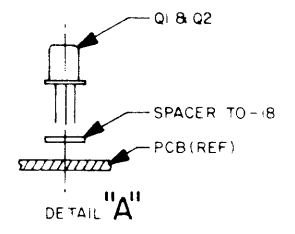
SCHEMATIC -
PAGE MEMORY
80x24

SIZE	DRAWING NO.	REV
D	T-991938	K
SCALE	NONE	SHEET 2 OF 2

THESE DRAWINGS THEIR DESIGN DETAIL AND INVENTION ARE THE PROPERTY OF TEC INCORPORATED, AND SHALL BE USED ONLY FOR REFERENCE WORK ON CONTRACT OR PROPOSAL SUBMITTED BY THIS COMPANY, AND FOR FIELD REPAIR OF TEC PRODUCTS BY TEC'S CUSTOMER OR END USER, AND SHALL NOT BE COPIED OR DISCLOSED TO ANY OUTSIDE PARTY WITHOUT THE EXPRESSED CONSENT OF TEC, INC

933024

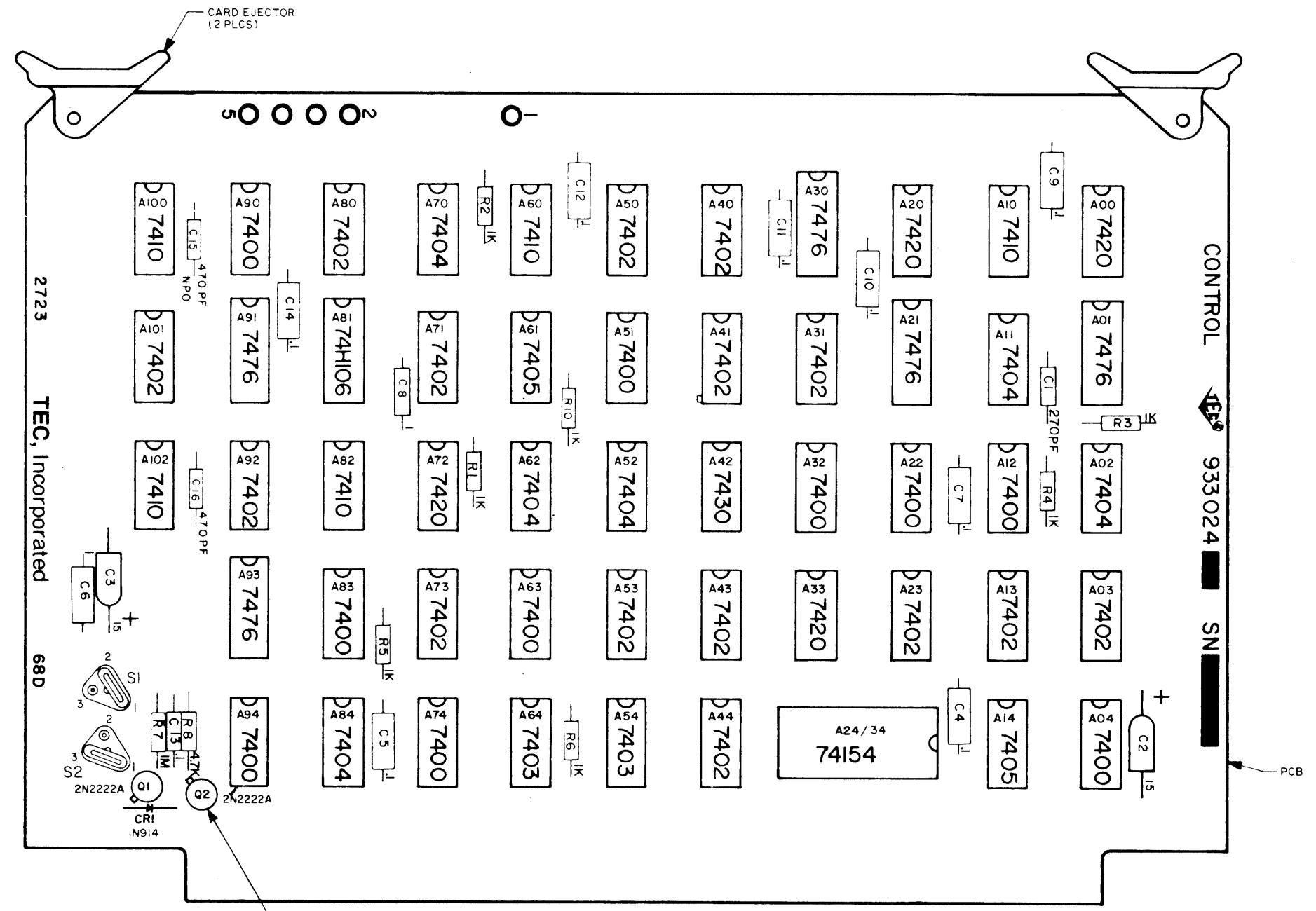
REVISIONS				
REV	DESCRIPTION	DCN	APPD	DATE
K	REV PER DCN	10939		
L	REV PER DCN	11252		
M	REV PER DCN	11008		



NOTES:

1. APPLICABLE REVISION LEVEL TO BE MARKED ON BOARD AT ASSEMBLY.
2. UNLESS OTHERWISE SPECIFIED:
 1. RESISTORS ARE 1/4W, 5%.
 2. RESISTANCE VALUES ARE IN OHMS.
 3. CAPACITANCE VALUES ARE IN MICROFARADS.
3. ALL TRANSISTOR CANS TO HAVE SPACERS UNDERNEATH.

SWITCH	POSITION	FUNCTION
S1	1-2	ENABLE AUTO LINE FEED ON CR
	1-3	DISABLE
S2	1-2	DISABLE ROLL UP
	1-3	ENABLE



2. SEE DETAIL "A"

SCHEMATIC	991924
BILL OF MATERIAL	933024
DESCRIPTION	NUMBER
REFERENCE DOCUMENTS	
TITLE	PCB ASSY - CONTROL

4XX	
NEXT ASSY	FIRST USED



DRAWN	R. WOOD	11-16-72	SIZE	D	DRAWING NO.	933024	REV	M
CHECKED								
ENGINEER								
APPROVED								
SCALE						2/1	SHEET 1 OF 1	

991924

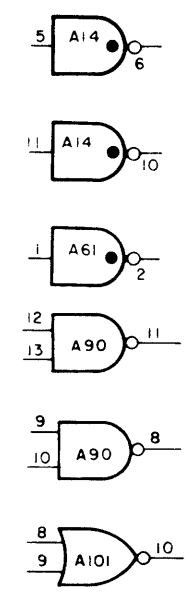
REVISIONS				
REV	DESCRIPTION	DCN	APPD	DATE
K	REV & REDRAWN PER DCN	10939	STU	28 MAY 75
L	REV PER DCN	11252	STU	02 JUL 75
M	REV PER DCN	11008	M.P.	05 MAR 76

I.C. TYPE	LOCATION	GND	+5V
7400	A04, 12, 22, 32, 51, 63, 74, 83, 90, 94	7	14
7402	A03, 13, 23, 31, 40, 41, 43, 44, 50, 53, 71, 73, 80, 92, 101	7	14
7403	A54, 64	7	14
7404	A02, 11, 52, 62, 70, 84	7	14
7405	A14, 61	7	14
7410	A10, 60, 82, 100, 102	7	14
7420	A00, 20, 33, 72	7	14
7430	A42	7	14
7476	A01, 21, 30, 91, 93	13	5
74154	A24/34	12	24
74H106	A81	13	5

- NOTES:
- UNLESS OTHERWISE SPECIFIED:
1. RESISTORS ARE 1/4W, 5% .
2. RESISTANCE VALUES ARE IN OHMS.
3. CAPACITANCE VALUES ARE IN MICROFARADS.
 - LAST REFERENCE DESIGNATIONS USED:
C16, CR1, R10, X128, X231, X343, X446, X538.
 - REFERENCE DESIGNATIONS NOT USED
R9, X117, X124, X128

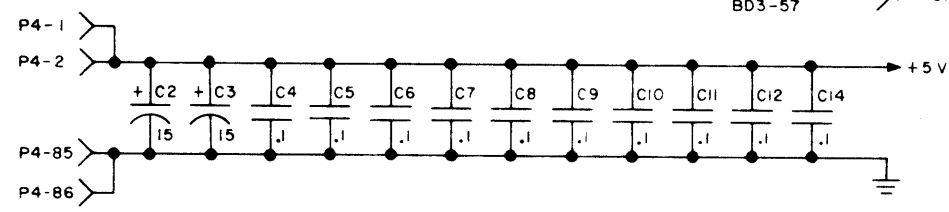
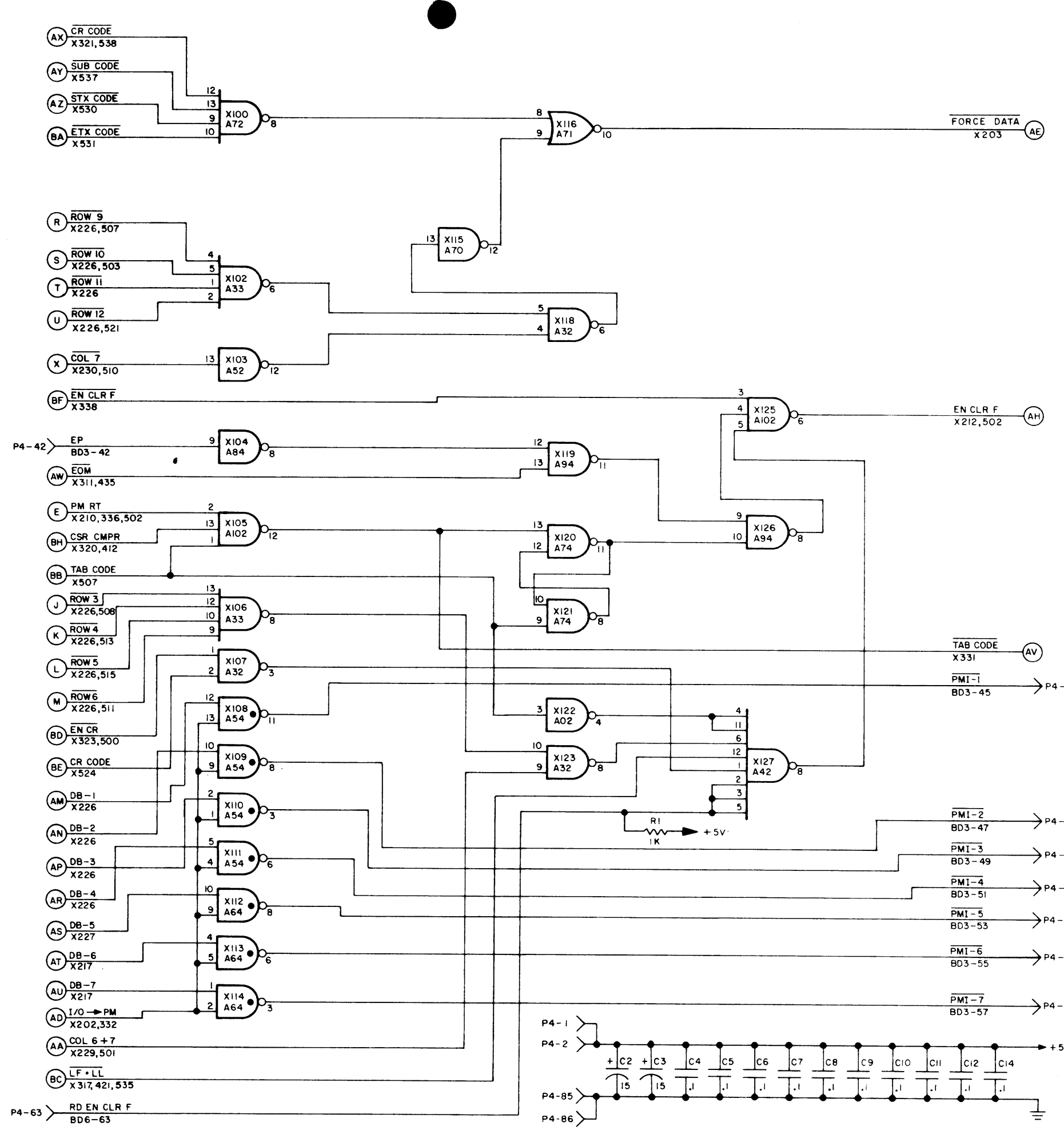
SWITCH FUNCTION CHART			
SWITCH	POSITION	ENABLE	FUNCTION
S1	1-2	ENABLE	AUTO LINE FEED ON CR
	1-3	DISABLE	
S2	1-2	DISABLE	ROLL UP
	1-3	ENABLE	

UNUSED ELEMENTS



PG	NAME	PINS	PG	NAME	PINS
1	+5V	1	2	+5V	1
3	EOL	3	4	CSR CMPRV	4
3	CSR CMPR	5	6	EN PM CLK	4
5	CAV +1	7	8	CAV -1	5
3	CLR CAH	9	10	CLR CAV	3
3	LD CAH	11	12	LD CAV	3
4	EN MAV +1	13	14	CAH +1	3
		15	16	CAH -1	5
2	DB -1	17	18	DB -2	2
2	DB -3	19	20	DB -4	2
2	DB -5	21	22	DB -6	2
2	DB -7	23	24		
3	LD PM	25	26	LD PM SP	3
4	LD LM SP	27	28	LD LM	4
4	LM → PM	29	30	RECIRC LM	4
4	EN LM CLK	31	32	PM CLK → LM	4
		33	34	PM RT	2
		35	36	PM CLK	4
2	TIME OUT	37	38	LAST LINE	5
3	EOM	39	40	EN EXT CLK	2
2	LD REG	41	42	EP	1
		43	44		
1	PMI -1	45	46		
1	PMI -2	47	48		
1	PMI -3	49	50		
1	PMI -4	51	52		
1	PMI -5	53	54		
1	PMI -6	55	56		
1	PMI -7	57	58		
		59	60		
2	DATA	61	62	PROTECT	3
1	RD EN CLR F	63	64	CM + MC	3
2	FUNCT	65	66	OB FULL	2
		67	68		
3	LOCK	69	70		
4	INH EDIT	71	72		
		73	74		
		75	76		
		77	78		
2	MC	79	80		
		81	82		
		83	84		
1	GND	85	86	GND	1

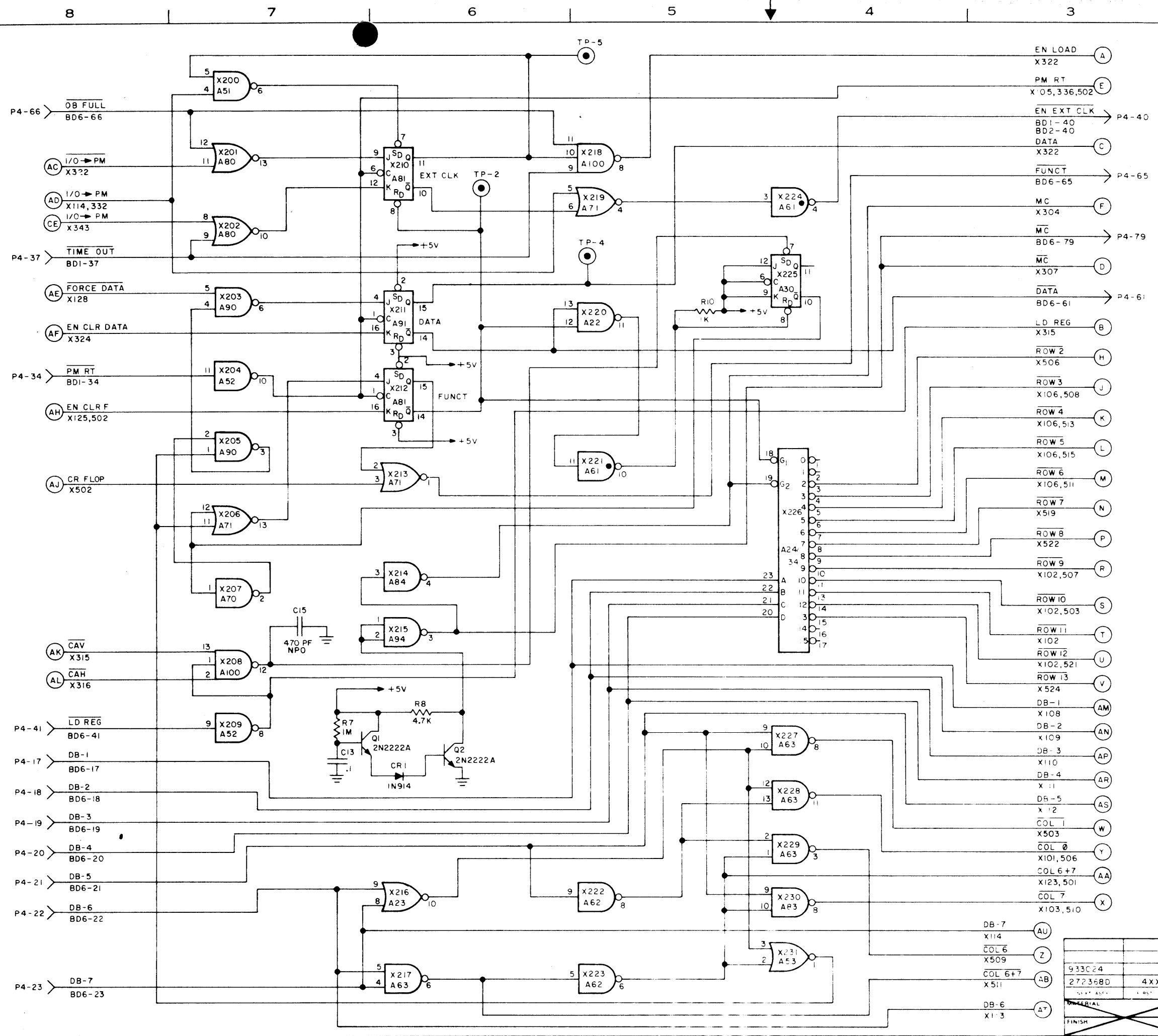
THESE DRAWINGS, THEIR DESIGN, DETAIL AND INVENTION ARE THE PROPERTY OF TEC, INCORPORATED, AND SHALL BE USED ONLY FOR REFERENCE WORK ON CONTRACT OR PROPOSAL SUBMITTED BY THIS COMPANY, AND FOR FIELD REPAIR OF TEC PRODUCTS BY TEC'S CUSTOMER OR END USER, AND SHALL NOT BE COPIED OR DISCLOSED TO ANY OUTSIDE PARTY WITHOUT THE EXPRESSED CONSENT OF TEC, INC.



933024	272368D	4XX	TEC, INCORPORATED	TITLE	SCHEMATIC - CONTROL								
FINISH	APPROVED	ENGINEER	TEC, INCORPORATED	DRAWN	NIKISHER	27 MAY 75	SIZE	D	DRAWING NO.	991924	REV	M	
				CHECKED				SCALE	NONE	SHEET	1	OF	5

991924

REVISIONS				
REV	DESCRIPTION	DCN	APPR	DATE
K	REV 8 REDRAWN PER DCN	10939		
L	REV PER DCN	11252		
M	REV PER DCN	11008		



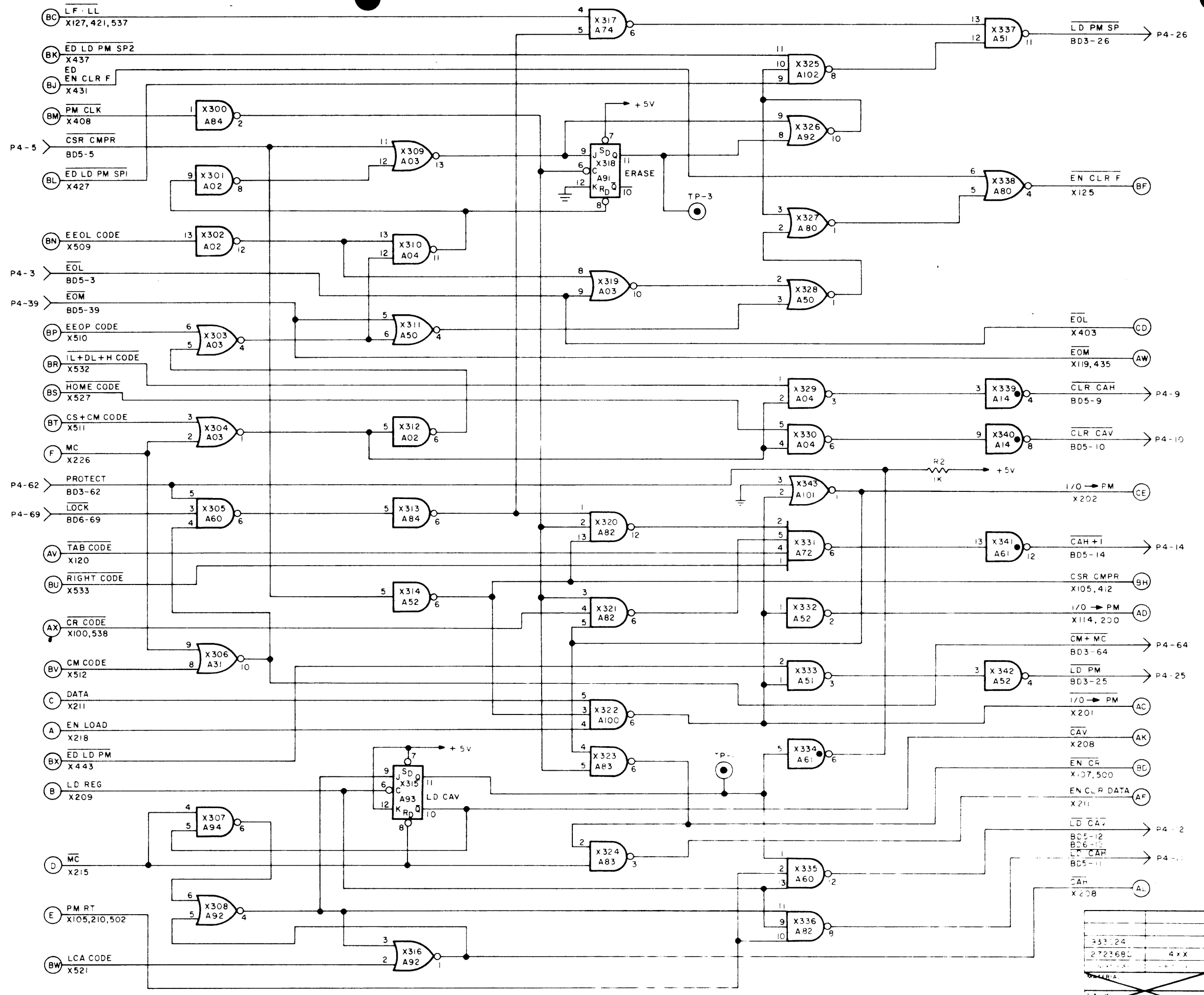
THESE DRAWINGS, THEIR DESIGN, DETAIL AND INVENTION ARE THE PROPERTY OF TEC, INCORPORATED, AND SHALL BE USED ONLY FOR REFERENCE WORK ON CONTRACT OR PROPOSAL SUBMITTED BY THIS COMPANY, AND FOR FIELD REPAIR OF TEC PRODUCTS BY TEC'S CUSTOMER OR END USER, AND SHALL NOT BE COPIED OR DISCLOSED TO ANY OUTSIDE PARTY WITHOUT THE EXPRESSED CONSENT OF TEC, INC.

BD. 4

933024		272368D		4XX	
FINISH		TEC, INCORPORATED		TITLE	
DRAWN VAN BEEK 27 MAY 75		CHECKED		DRAWING NO	
ENGINEER		APPROVED		D 991924 M	
APPROVED		DATE		REV. 2 OF 5	

REVISIONS				
REV.	DESCRIPTION	DCN	APPD.	DATE
K	REV & REDRAWN PER DCN	10939	[Signature]	MAY 75
L	REV PER DCN	11252	[Signature]	MAY 75
M	REV PER DCN	11008	[Signature]	OCT 75

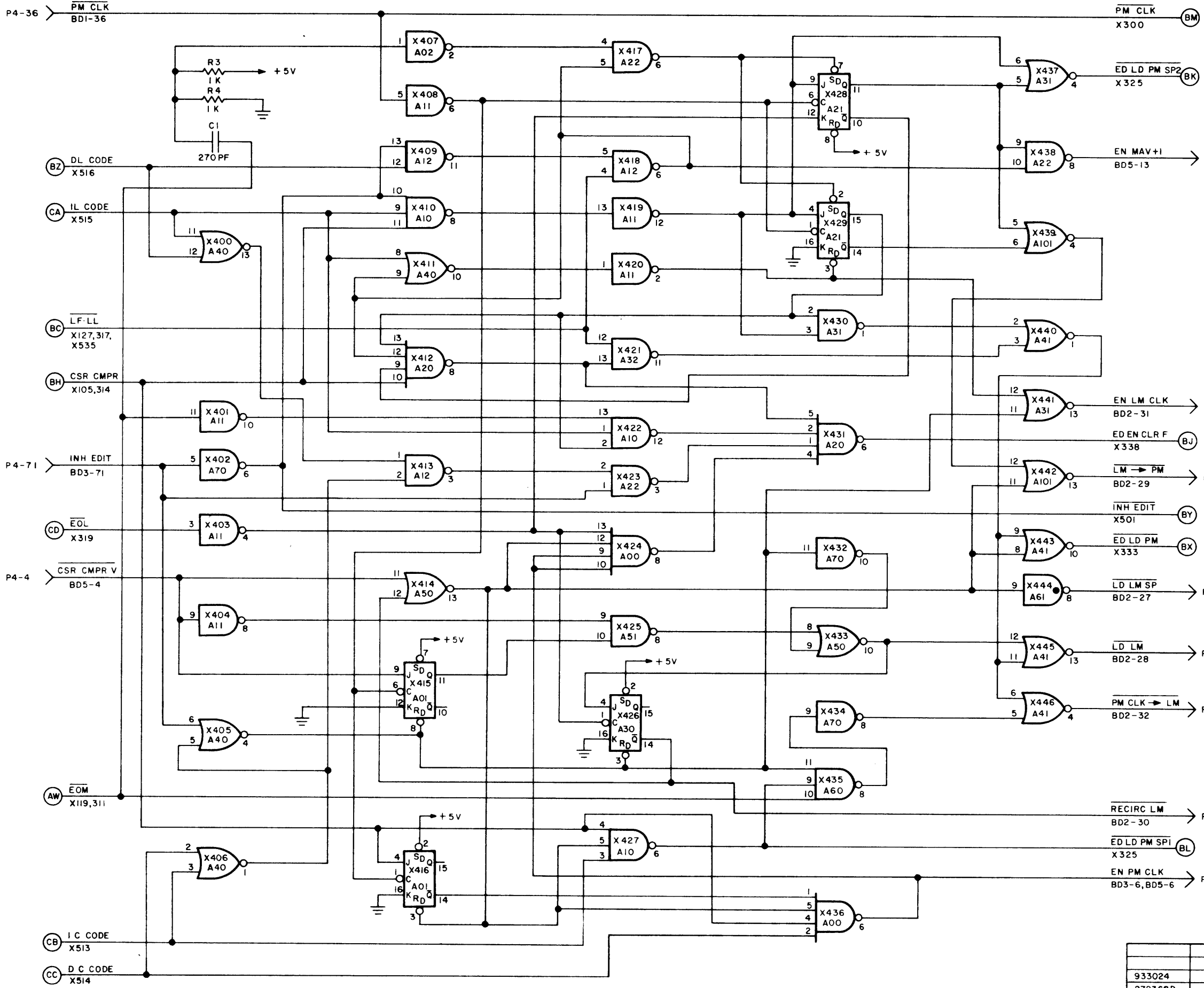
991924



THESE DRAWINGS THEIR DESIGN DETAIL AND INVENTION ARE THE PROPERTY OF TEC INCORPORATED AND SHALL BE USED ONLY FOR REFERENCE WORK ON CONTRACT OR PROPOSAL SUBMITTED BY THIS COMPANY AND FOR FIELD REPAIR OF TEC PRODUCTS BY TEC'S CUSTOMER OR END USER AND SHALL NOT BE COPIED OR DISCLOSED TO ANY OUTSIDE PARTY WITHOUT THE EXPRESSED CONSENT OF TEC INC

BD.4

<p>332 24 2723680 4xX</p>		<p>TEC INCORPORATED</p>	<p>TITLE SCHEMATIC-CONTROL</p>	
<p>DRAWN: VAN BEEK 27 MAY 75</p>			<p>DRAWING NO. 991924</p>	
<p>CHECKED: [Signature]</p>		<p>REV. M</p>		
<p>APPROVED: [Signature]</p>		<p>DATE: 3 75</p>		



REVISIONS				
REV	DESCRIPTION	DCN	APPD	DATE
K	REV & REDRAWN PER DCN	10939		
L	REV PER DCN	11252		
M	REV PER DCN	11008		

991924

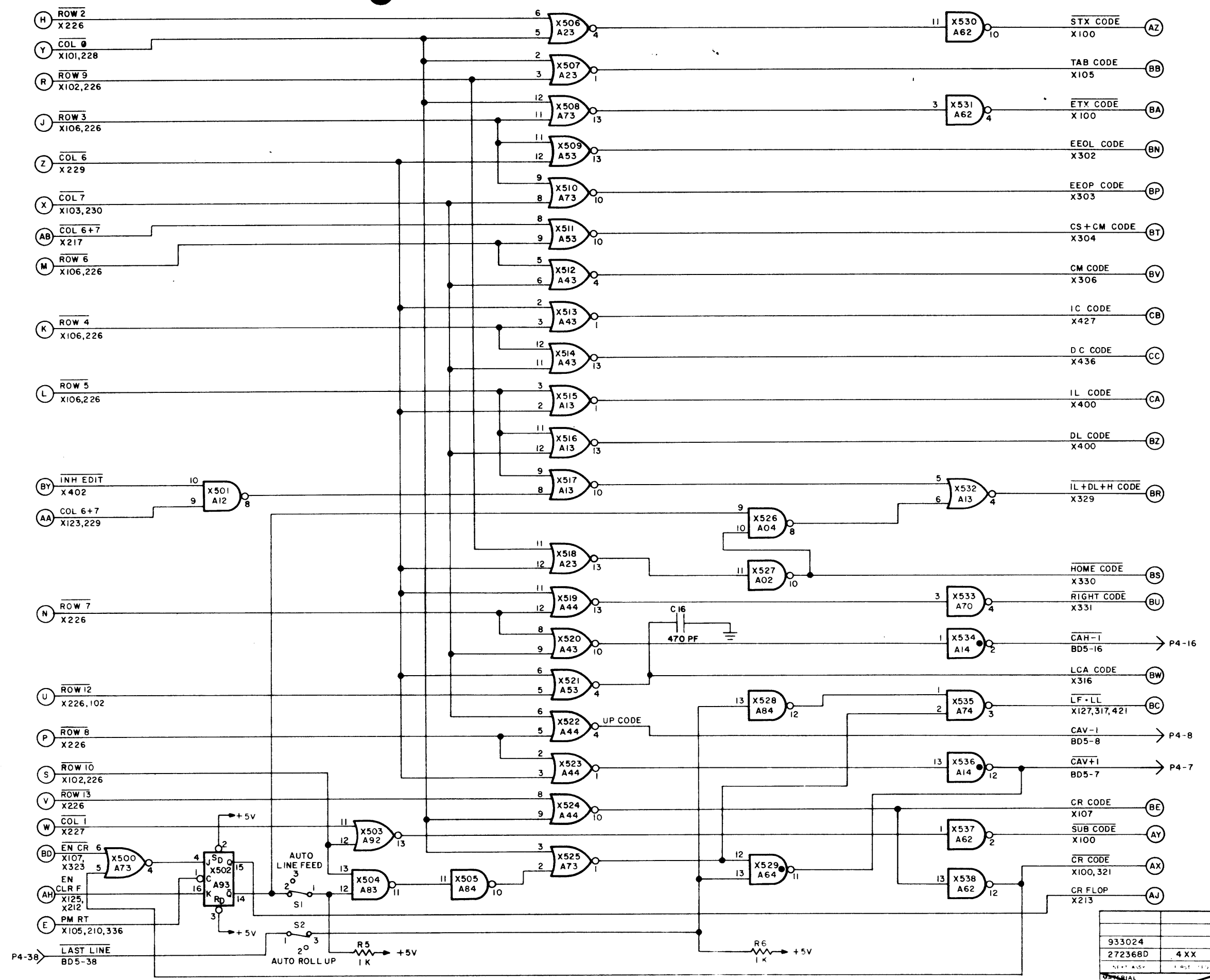
THESE DRAWINGS, THEIR DESIGN, DETAIL AND INVENTION ARE THE PROPERTY OF TEC, INCORPORATED, AND SHALL BE USED ONLY FOR REFERENCE WORK ON CONTRACT OR PROPOSAL SUBMITTED BY THIS COMPANY, AND FOR FIELD REPAIR OF TEC PRODUCTS BY TEC'S CUSTOMER OR END USER, AND SHALL NOT BE COPIED OR DISCLOSED TO ANY OUTSIDE PARTY WITHOUT THE EXPRESSED CONSENT OF TEC, INC.

BD. 4

933024		272368D		4XX		TEC, INCORPORATION		TITLE SCHEMATIC-CONTROL	
DRAWN VAN BEEK		CHECKED [Signature]		ENGINEER [Signature]		APPROVED [Signature]		DATE MAY 73	
NEXT ASSY		FIRST USED		SCALE NONE		SHEET 4 OF 5		REV M	

REVISIONS				
REV.	DESCRIPTION	DCN	APPD	DATE
K	REV & REDRAWN PER DCN	10939		MAY 75
L	REV PER DCN	11252		MAY 75
M	REV PER DCN	11008		MAY 75

991924



THESE DRAWINGS, THEIR DESIGN, DETAIL AND INVENTION ARE THE PROPERTY OF TEC, INCORPORATED, AND SHALL BE USED ONLY FOR REFERENCE WORK ON CONTRACT OR PROPOSAL SUBMITTED BY THIS COMPANY, AND FOR FIELD REPAIR OF TEC PRODUCTS BY TEC'S CUSTOMER OR END USER, AND SHALL NOT BE COPIED OR DISCLOSED TO ANY OUTSIDE PARTY WITHOUT THE EXPRESSED CONSENT OF TEC, INC.

BD.4

933024		272368D		4 XX	
DRAWN		VAN BEEK		27 MAY 75	
CHECKED					
ENGINEER					
APPROVED					

TEC, INCORPORATED

SCALE NONE SHEET 5 OF 5

TITLE SCHEMATIC-CONTROL

SIZE D DRAWING NO. 991924 REV M

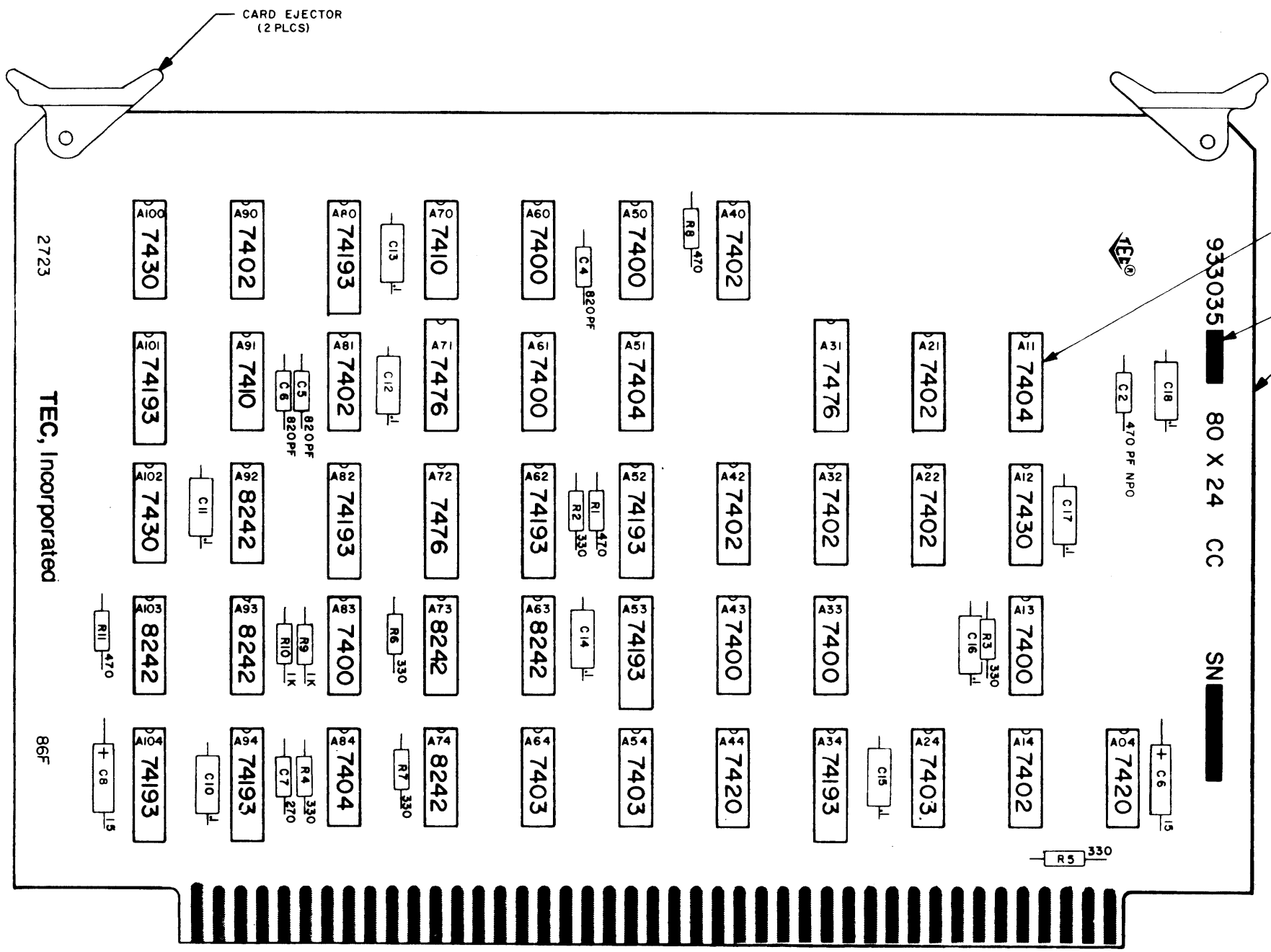
THESE DRAWINGS, THEIR DESIGN, DETAIL AND INVENTION ARE THE PROPERTY OF TEC, INCORPORATED, AND SHALL BE USED ONLY FOR REFERENCE WORK ON CONTRACT OR PROPOSAL SUBMITTED BY THIS COMPANY, AND FOR FIELD REPAIR OF TEC PRODUCTS BY TEC'S CUSTOMER OR END USER, AND SHALL NOT BE COPIED OR DISCLOSED TO ANY OUTSIDE PARTY WITHOUT THE EXPRESSED CONSENT OF TEC, INC.

933035

REVISIONS				
REV	DESCRIPTION	DCN	APPD	DATE
K	REV PER DCN	11986		

NOTES:

1. APPLICABLE REVISION LEVEL TO BE MARKED ON BOARD AT ASSEMBLY.
2. UNLESS OTHERWISE SPECIFIED;
 1. RESISTORS ARE 1/4W,5%.
 2. RESISTANCE VALUES ARE IN OHMS.
 3. CAPACITANCE VALUES ARE IN MICROFARADS.
3. DO NOT USE FAIRCHILD 7404 AT LOCATIONS A11, A51 AND A84.



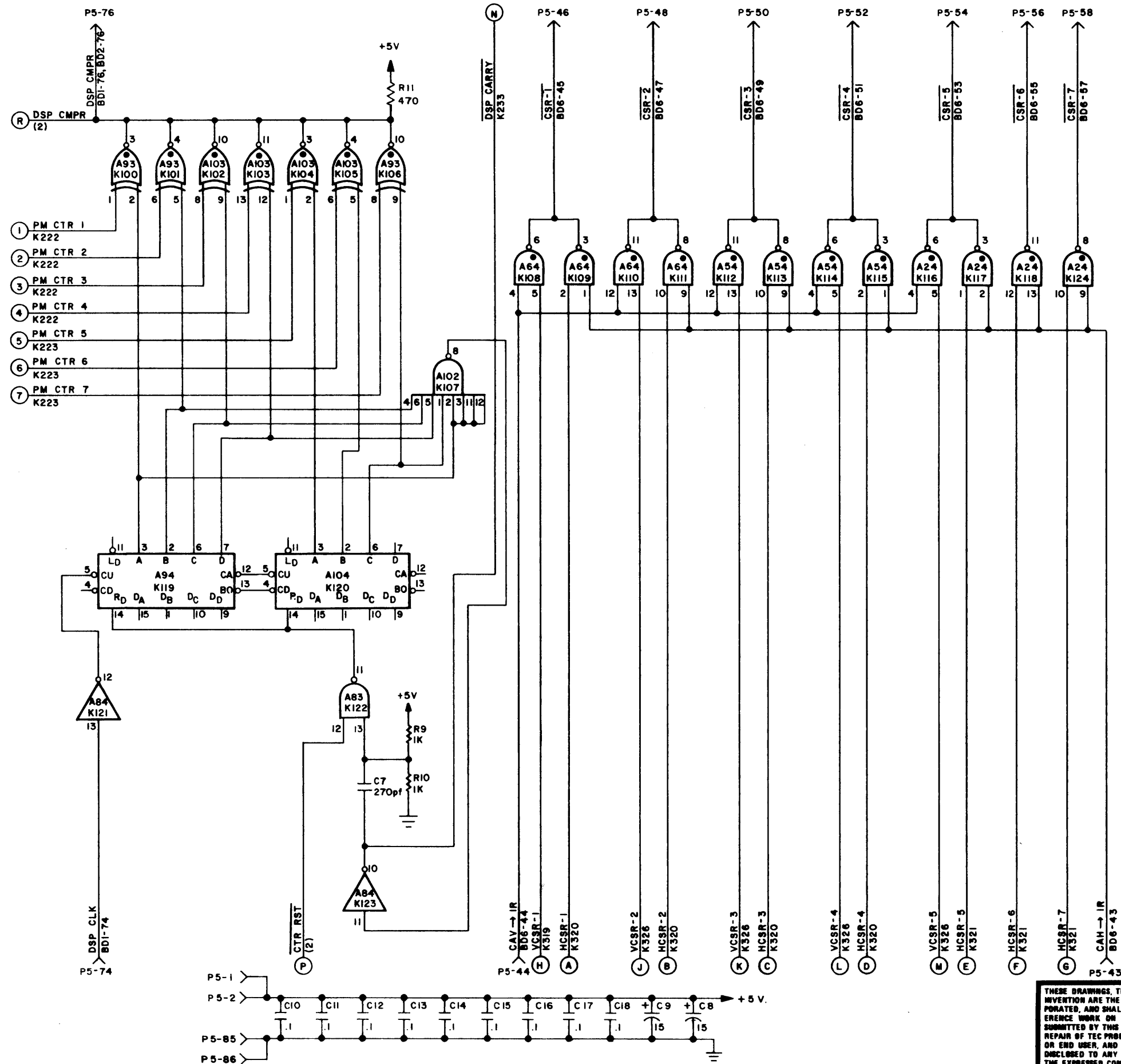
4X5	
NEXT ASSY	FIRST USED



SCHEMATIC	991935
BILL OF MATERIAL	933035
DESCRIPTION	NUMBER
REFERENCE	DOCUMENTS
BD. 5	
TITLE PCB ASSY. 80 X 24 CURSOR COUNTER	
SIZE	DRAWING NO.
1	933035
SCALE 2/1	SHEET 1 OF 1
REV	K

991935

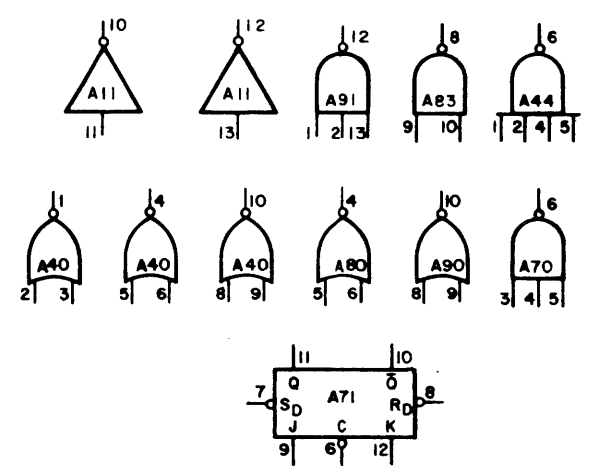
REVISIONS				
REV	DESCRIPTION	DCN	APPD	DATE
K	REV PER DCN	11986		



1	+5V	1	2	+5V	1
2	EOL	3	4	CSR CMPR V	2
3	CAV+1	7	8	CAV-1	3
3	CLR CAH	9	10	CLR CAV	3
3	LD CAH	11	12	LD CAV	3
2	EN MAV+1	13	14	CAH+1	3
		15	16	CAH-1	3
3	DB-1	17	18	DB-2	3
3	DB-4	19	20	DB-4	3
3	DB-5	21	22	DB-6	3
3	DB-7	23	24		
		25	26		
		27	28		
		29	30		
3	LAST CHAR	31	32		
		33	34		
2	PM CLK	35	36		
2	EOM	39	40	LAST LINE	3
		41	42	BELL	3
1	CAH→IR	43	44	CAV→IR	1
		45	46	CSR-1	1
		47	48	CSR-2	1
		49	50	CSR-3	1
		51	52	CSR-4	1
		53	54	CSR-5	1
		55	56	CSR-6	1
		57	58	CSR-7	1
		59	60		
		61	62		
		63	64		
		65	66		
		67	68		
		69	70		
		71	72		
		73	74	DSP CLK	1
2	CTR RST	75	76	DSP CMPR	1
		77	78		
		79	80		
		81	82		
		83	84		
		85	86	GND	
PG	NAME	PINS	NAME	PG	

- NOTES:
- UNLESS OTHERWISE SPECIFIED:
1. RESISTORS ARE 1/4 W, 5%.
2. RESISTANCE VALUES ARE IN OHMS.
3. CAPACITANCE VALUES ARE IN MICROFARADS.
 - LAST REFERENCE DESIGNATION USED: C18, R11, K124, K240 AND K365
 - REFERENCE DESIGNATIONS NOT USED: C1, C3, K300, K318
- ⚠ DO NOT USE FAIRCHILD.

UNUSED ELEMENTS



IC TYPE	LOCATION	GND	+5V
7400	A13, 33, 43, 50, 60, 61, 83	7	14
7402	A14, 21, 22, 32, 40, 42, 81, 90	7	14
7403	A24, 54, 64	7	14
7404	A11, 51, 84	7	14
7410	A70, 91	7	14
7420	A04, 44	7	14
7430	A12, 100, 102	7	14
7476	A31, 71, 72	13	5
74193	A34, 52, 53, 62, 80, 82, 94, 101, 104	8	16
8242	A63, 73, 74, 92, 93, 103	7	14

THESE DRAWINGS, THEIR DESIGN, DETAIL AND INVENTION ARE THE PROPERTY OF TEC, INCORPORATED, AND SHALL BE USED ONLY FOR REFERENCE WORK ON CONTRACT OR PROPOSAL SUBMITTED BY THIS COMPANY, AND FOR FIELD REPAIR OF TEC PRODUCTS BY TEC'S CUSTOMER OR END USER, AND SHALL NOT BE COPIED OR DISCLOSED TO ANY OUTSIDE PARTY WITHOUT THE EXPRESSED CONSENT OF TEC, INC.

933035	
272386F	4X5
NEXT ASSY	FIRST USED



TITLE SCHEMATIC - 80X24 CURSOR COUNTER

TEC, Incorporated

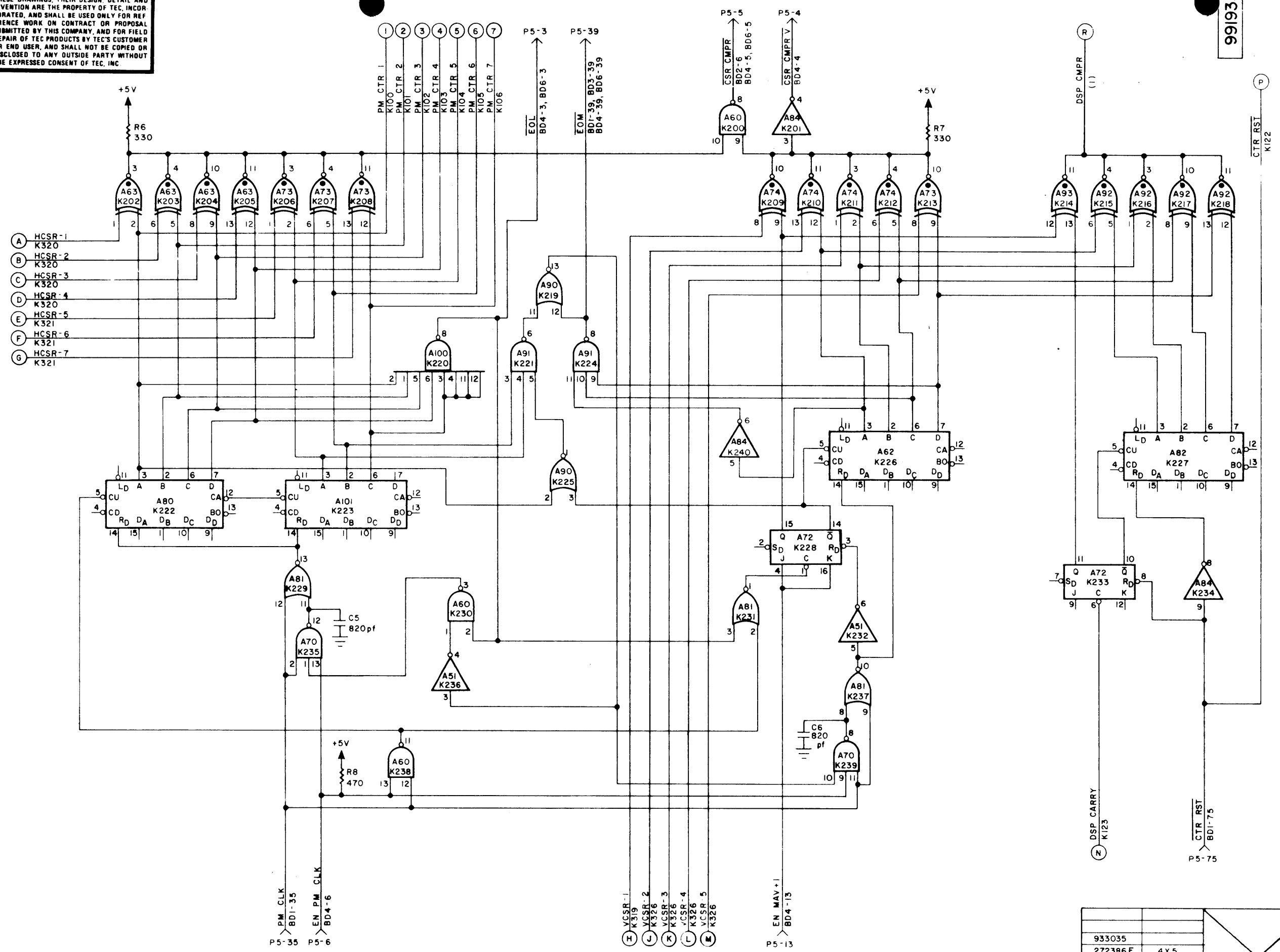
SIZE D DRAWING NO 991935 REV K

SCALE NONE SHEET 1 OF 3

THESE DRAWINGS, THEIR DESIGN DETAIL AND INVENTION ARE THE PROPERTY OF TEC, INCORPORATED, AND SHALL BE USED ONLY FOR REFERENCE WORK ON CONTRACT OR PROPOSAL SUBMITTED BY THIS COMPANY, AND FOR FIELD REPAIR OF TEC PRODUCTS BY TEC'S CUSTOMER OR END USER, AND SHALL NOT BE COPIED OR DISCLOSED TO ANY OUTSIDE PARTY WITHOUT THE EXPRESSED CONSENT OF TEC, INC.

REVISIONS				
REV	DESCRIPTION	DCN	APPD	DATE
K	REV PER DCN	11986	AK	13-5-76

991935



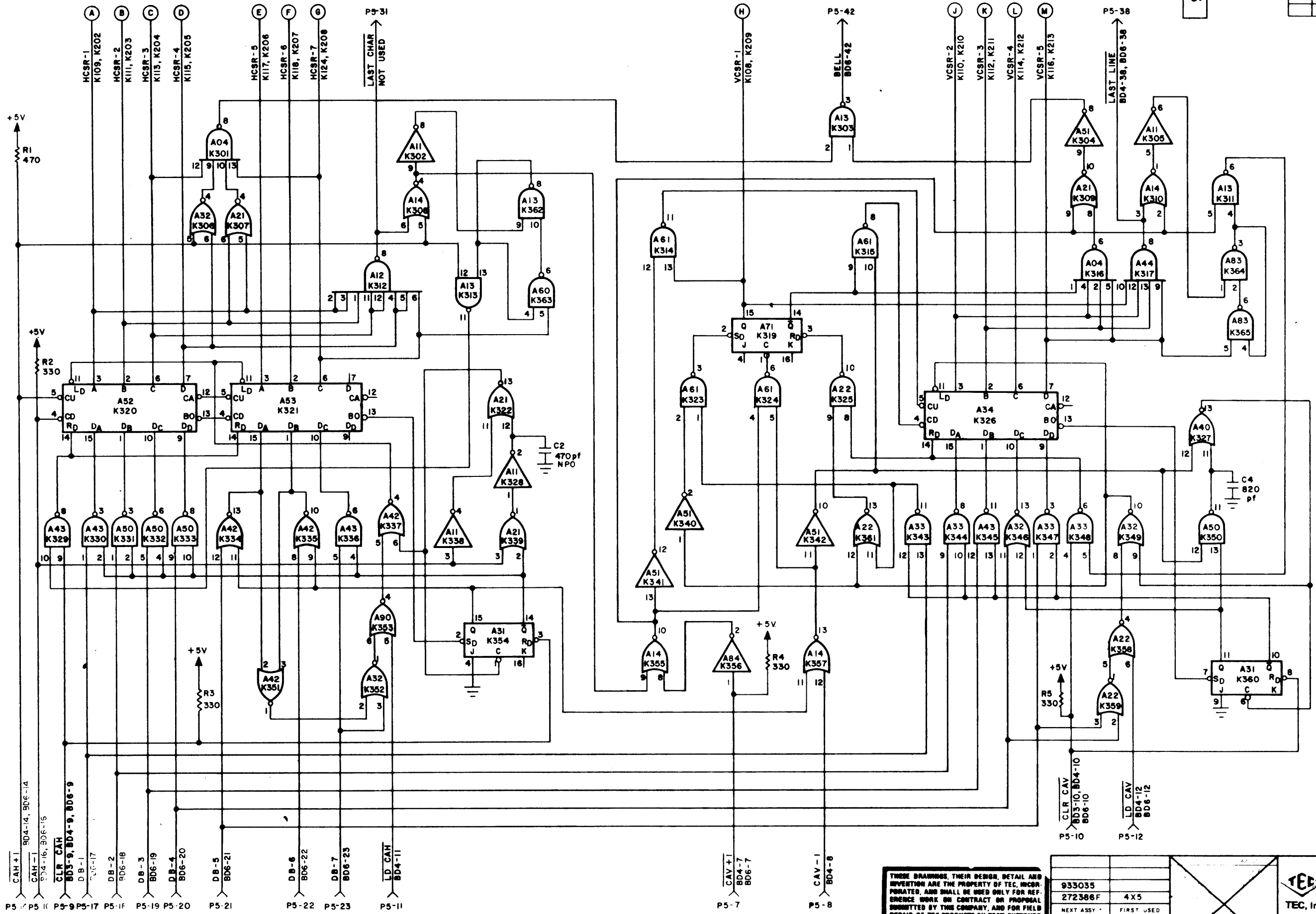
- (A) HCSR-1 K320
- (B) HCSR-2 K320
- (C) HCSR-3 K320
- (D) HCSR-4 K320
- (E) HCSR-5 K321
- (F) HCSR-6 K321
- (G) HCSR-7 K321

BD. 5

933035		272386 F		4 X 5		NEX' ASSY FIRST USED	
 TEC, Incorporated				TITLE SCHEMATIC 80X24 CURSOR COUNTER			
DRAWN CHK'D INSP'D DATE	11-9-76 	SIZE D	DRAWING NO. 991935	REV K	SCALE NONE	SHEET 2 OF 3	

991935

REVISIONS				
REV	DESCRIPTION	DCN	APPD	DATE
K	REV PER DCN	11986	ZK	SEP 74



THESE DRAWINGS, THEIR DESIGN, DETAIL AND INVENTION ARE THE PROPERTY OF TEC, INCORPORATED, AND SHALL BE USED ONLY FOR REFERENCE WORK ON CONTRACT OR PROPOSAL SUBMITTED BY THIS COMPANY, AND FOR FIELD REPAIR OF TEC PRODUCTS BY TEC'S CUSTOMER OR END USER, AND SHALL NOT BE COPIED OR DISCLOSED TO ANY OUTSIDE PARTY WITHOUT THE EXPRESSED CONSENT OF TEC, INC.

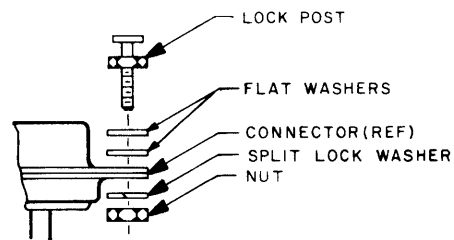
933035	4 X 5
272386F	
NEXT ASSY	FIRST USED



TITLE		SCHEMATIC- 80X24 CURSOR COUNTER	
DRW	CHKD	SIZE	DRAWING NO
		D	991935
ENGR	APPD	SCALE	SHEET 3 OF 3
		NONE	

BD. 5

THESE DRAWINGS, THEIR DESIGN, DETAIL AND INVENTION ARE THE PROPERTY OF TEC, INCORPORATED, AND SHALL BE USED ONLY FOR REFERENCE WORK ON CONTRACT OR PROPOSAL SUBMITTED BY THIS COMPANY, AND FOR FIELD REPAIR OF TEC PRODUCTS BY TEC'S CUSTOMER OR END USER, AND SHALL NOT BE COPIED OR DISCLOSED TO ANY OUTSIDE PARTY WITHOUT THE EXPRESSED CONSENT OF TEC, INC.

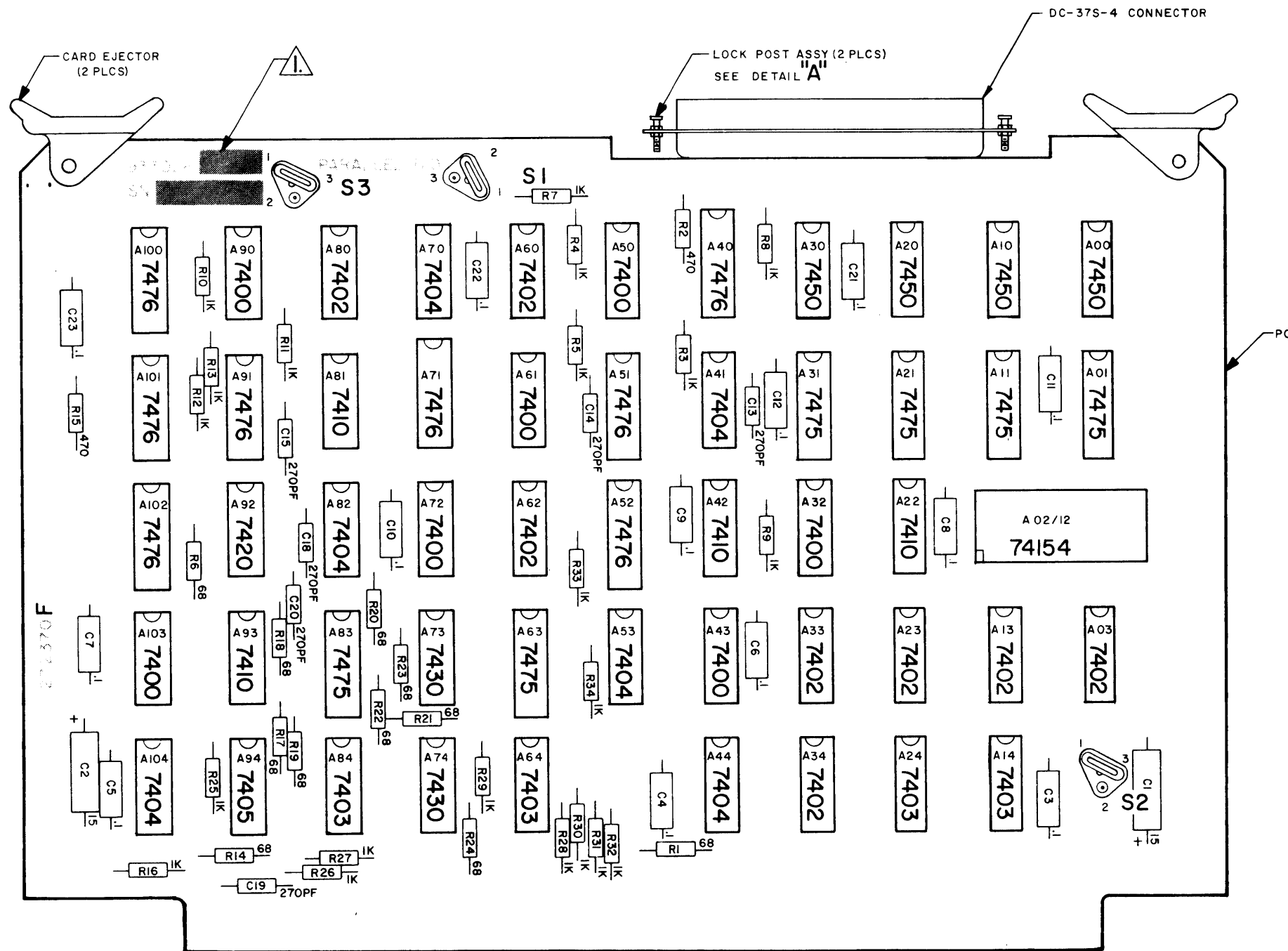


DETAIL "A"

REVISIONS				
REV	DESCRIPTION	DCN	APPD	DATE
M	REV PER DCN	10535		
N	REV PER DCN	10822		

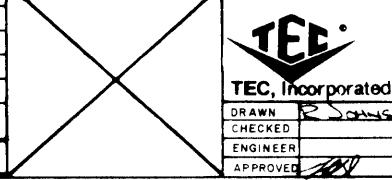
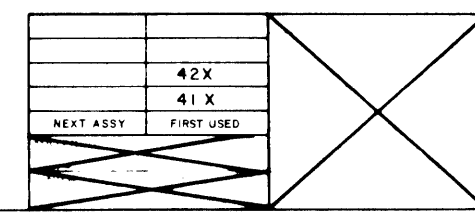
NOTES:

1. APPLICABLE REVISION LEVEL TO BE MARKED ON BOARD AT ASSEMBLY.
2. UNLESS OTHERWISE SPECIFIED;
 1. RESISTORS ARE 1/4 W, 5%.
 2. RESISTANCE VALUES ARE IN OHMS.
 3. CAPACITANCE VALUES ARE IN MICROFARADS.

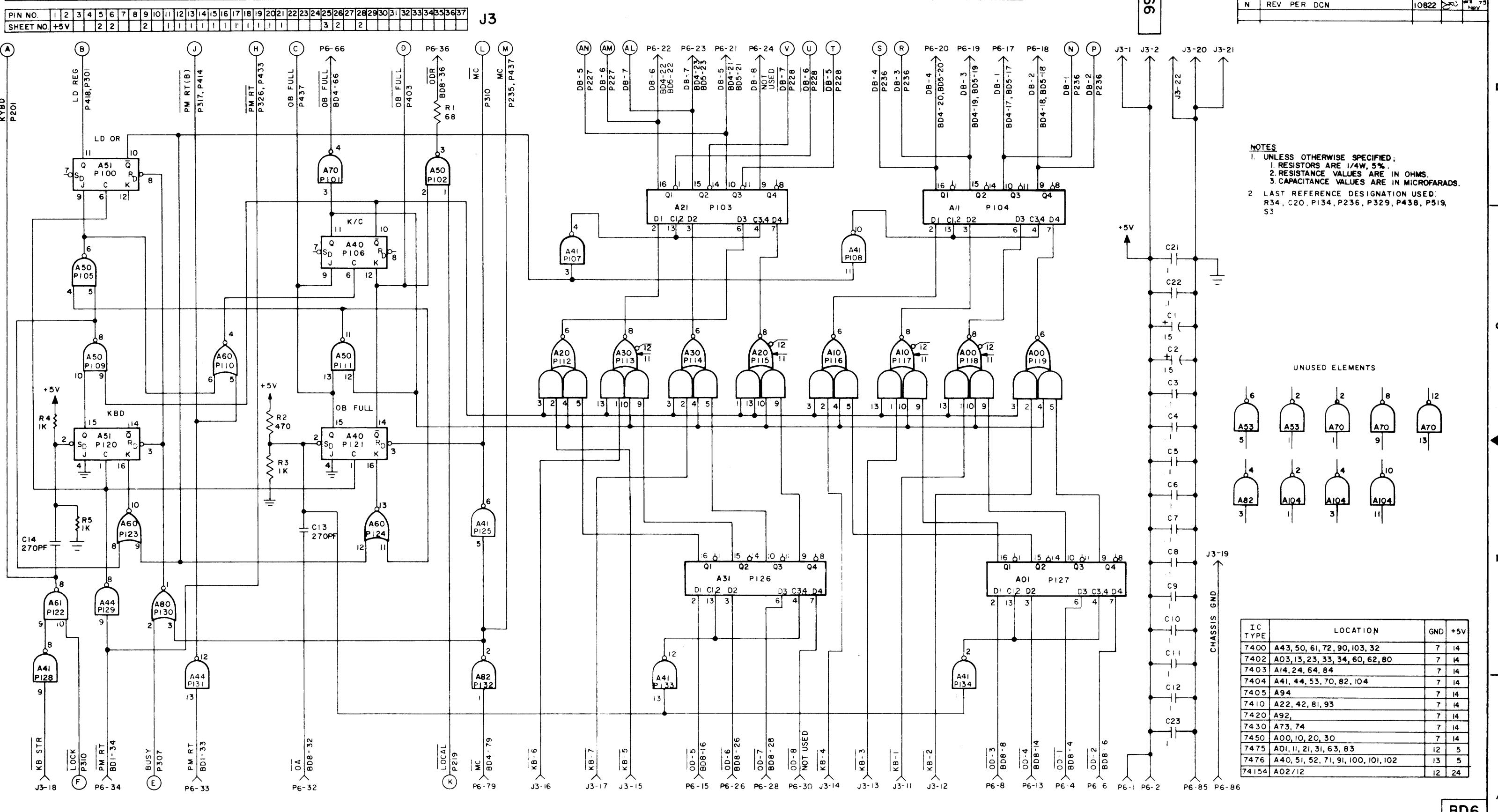
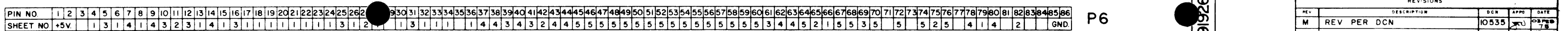


SWITCH		FUNCTION	CHART
SWITCH	POSITION	FUNCTION	
S1	1-2	ENABLE	END OF LINE
	1-3	DISABLE	AUDIBLE SIGNAL
S2	1-2	ENABLE	OPERATOR LOCK
	1-3	DISABLE	OVERRIDE
S3	1-2	SELECT MODEL 41 X OPERATION	
	1-3	SELECT MODEL 42 X OPERATION	

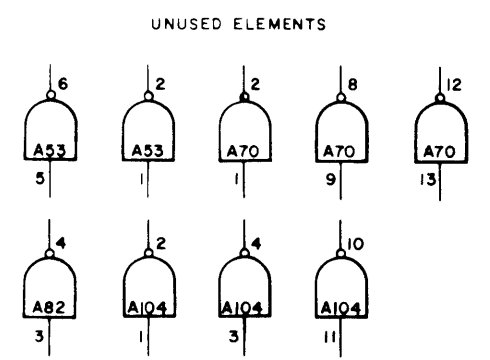
SCHEMATIC		991926
BILL OF MATERIAL		933026
DESCRIPTION		NUMBERS
REFERENCE DOCUMENTS		
TITLE		P.C.B. ASSY.
		PARALLEL I/O
DRAWN		2-7-71
CHECKED		
ENGINEER		
APPROVED		
SIZE	D	DRAWING NO.
		933026
REV	N	
SCALE		SHEET 1 OF 1



933026



NOTES
1. UNLESS OTHERWISE SPECIFIED;
1. RESISTORS ARE 1/4W, 5%.
2. RESISTANCE VALUES ARE IN OHMS.
3. CAPACITANCE VALUES ARE IN MICROFARADS.
2. LAST REFERENCE DESIGNATION USED:
R34, C20, P134, P236, P329, P438, P519, S3



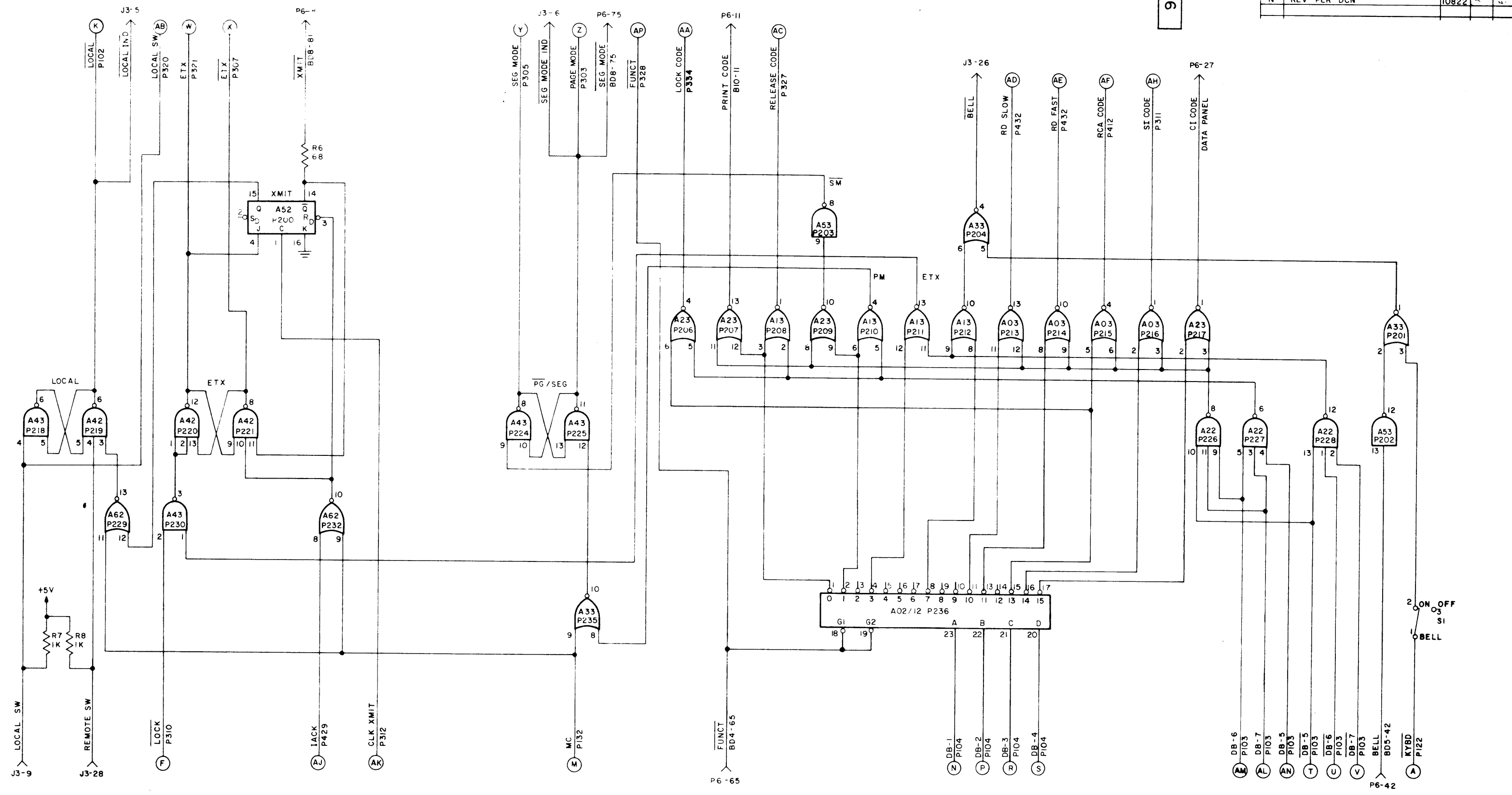
IC TYPE	LOCATION	GND	+5V
7400	A43, 50, 61, 72, 90, 103, 32	7	14
7402	A03, 13, 23, 33, 34, 60, 62, 80	7	14
7403	A14, 24, 64, 84	7	14
7404	A41, 44, 53, 70, 82, 104	7	14
7405	A94	7	14
7410	A22, 42, 81, 93	7	14
7420	A92	7	14
7430	A73, 74	7	14
7450	A00, 10, 20, 30	7	14
7475	A01, 11, 21, 31, 63, 83	12	5
7476	A40, 51, 52, 71, 91, 100, 101, 102	13	5
74154	A02/12	12	24

THESE DRAWINGS, THEIR DESIGN, DETAIL AND INVENTION ARE THE PROPERTY OF TEC, INCORPORATED. AND SHALL BE USED ONLY FOR REFERENCE WORK ON CONTRACT OR PROPOSAL SUBMITTED BY THIS COMPANY, AND FOR FIELD REPAIR OF TEC PRODUCTS BY TEC'S CUSTOMER OR END USER, AND SHALL NOT BE COPIED OR DISCLOSED TO ANY OUTSIDE PARTY WITHOUT THE EXPRESSED CONSENT OF TEC, INC.

933026 42X
272370F 41X
TEC, Incorporated
TITLE SCHEMATIC - PARALLEL I/O
REV N
SHEET 1 OF 5

REVISIONS				
REV	DESCRIPTION	DCN	APPD	DATE
M	REV PER DCN	10535		
N	REV PER DCN	10822		

991926



BD. 6

THESE DRAWINGS, THEIR DESIGN, DETAIL AND INVENTION ARE THE PROPERTY OF TEC, INCORPORATED, AND SHALL BE USED ONLY FOR REFERENCE WORK ON CONTRACT OR PROPOSAL SUBMITTED BY THIS COMPANY, AND FOR FIELD REPAIR OF TEC PRODUCTS BY TEC'S CUSTOMER OR END USER, AND SHALL NOT BE COPIED OR DISCLOSED TO ANY OUTSIDE PARTY WITHOUT THE EXPRESSED CONSENT OF TEC, INC.

930026	42X
272370F	41X
MATERIAL	FINISH

TEC, Incorporated

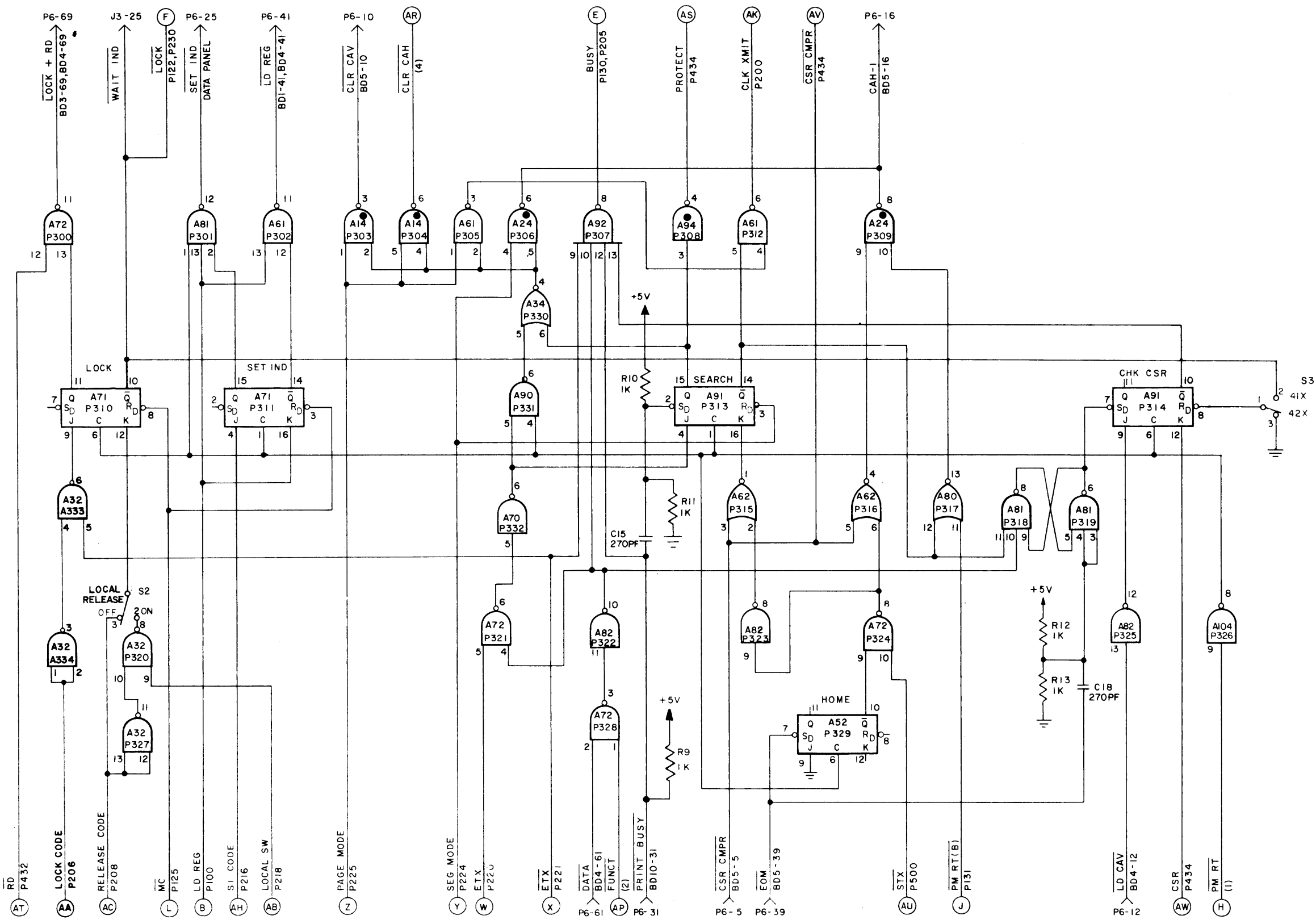
DRAWN: R. MARTINEZ
 CHECKED: [Signature]
 ENGINEER: [Signature]
 APPROVED: [Signature]

TITLE		SCHEMATIC —	
		PARALLEL I/O	
DRAWING NO.	991926	REV	N
SCALE	NONE	SHEET	2 OF 5

THESE DRAWINGS, THEIR DESIGN, DETAIL AND INVENTION ARE THE PROPERTY OF TEC, INCORPORATED, AND SHALL BE USED ONLY FOR REFERENCE WORK ON CONTRACT OR PROPOSAL SUBMITTED BY THIS COMPANY, AND FOR FIELD REPAIR OF TEC PRODUCTS BY TEC'S CUSTOMER OR END USER, AND SHALL NOT BE COPIED OR DISCLOSED TO ANY OUTSIDE PARTY WITHOUT THE EXPRESSED CONSENT OF TEC, INC.

991926

REVISIONS				
REV	DESCRIPTION	DCN	APPD	DATE
M	REV PER DCN	10535		03 FEB 75
N	REV PER DCN	10822		13 Nov



SWITCH	POSITION	FUNCTION	
S1	1-2	ENABLE	END OF LINE
	1-3	DISABLE	AUDIBLE SIGNAL
S2	1-2	ENABLE	OPERATOR LOCK
	1-3	DISABLE	OVERRIDE
S3	1-2	SELECT MODEL 41 X OPERATION	
	1-3	SELECT MODEL 42 X OPERATION	

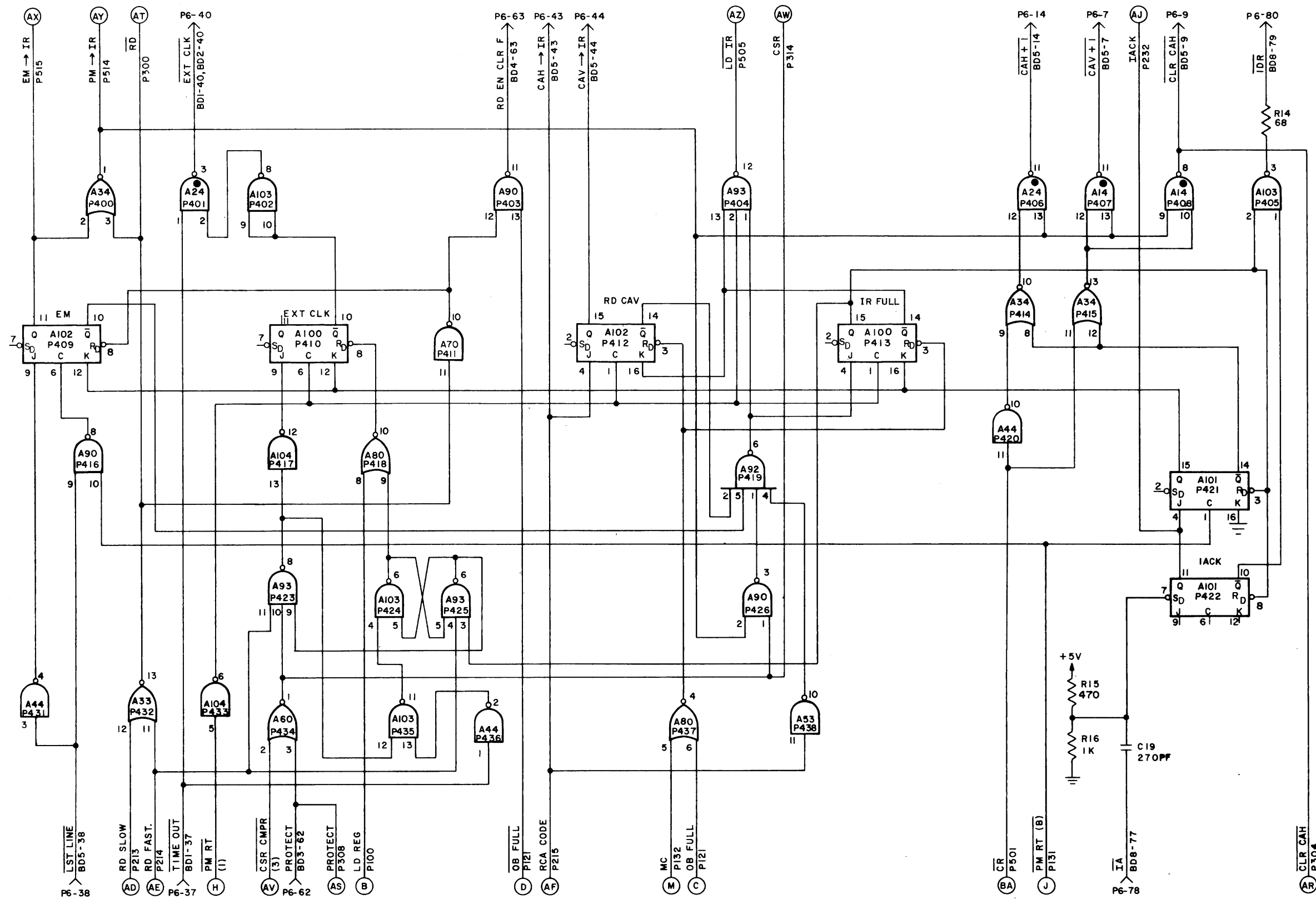
BD.6

933026	42 X	TEC TEC, Incorporated	TITLE SCHEMATIC - PARALLEL I/O
272370F	41 X		
NEXT ASSY	FIRST USED	DRAWN CHECKED ENGINEER APPROVED	DRAWING NO 991926
MATERIAL			
FINISH		SCALE NONE	SHEET 3 OF 5

991926

REVISIONS				
REV	DESCRIPTION	DCN	APPD	DATE
M	REV PER DCN	10535		
N	REV PER DCN	10822		

THESE DRAWINGS, THEIR DESIGN, DETAIL AND INVENTION ARE THE PROPERTY OF TEC, INCORPORATED, AND SHALL BE USED ONLY FOR REFERENCE WORK ON CONTRACT OR PROPOSAL SUBMITTED BY THIS COMPANY, AND FOR FIELD REPAIR OF TEC PRODUCTS BY TEC'S CUSTOMER OR END USER, AND SHALL NOT BE COPIED OR DISCLOSED TO ANY OUTSIDE PARTY WITHOUT THE EXPRESSED CONSENT OF TEC, INC.



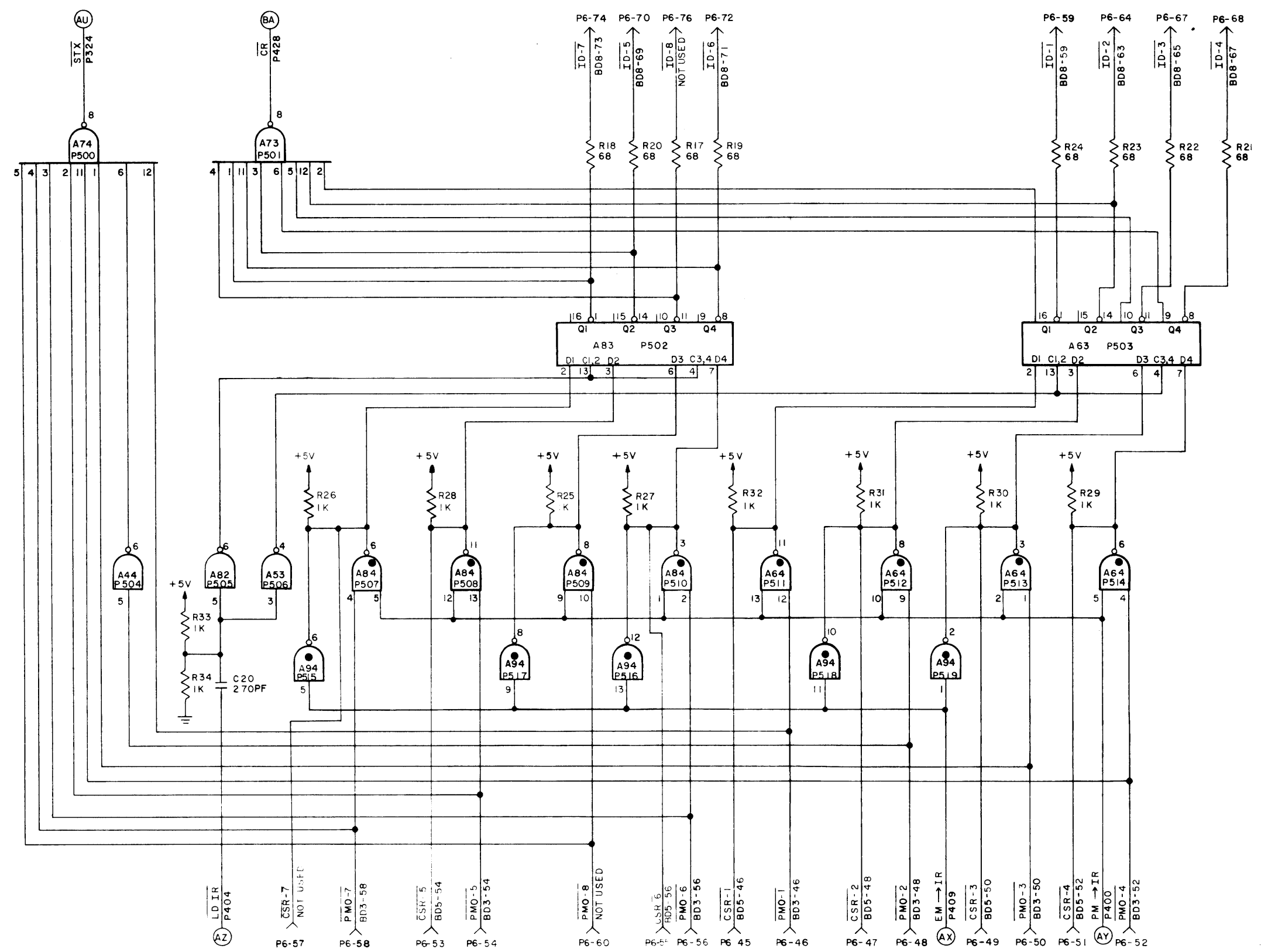
BD.6

933026	42X	TEC, Incorporated	TITLE SCHEMATIC - PARALLEL I/O
272370F	41X		
NEXT ASSY	FIRST USED	DRAWN: SMARTHAMER	SIZE: D
MATERIAL:		CHECKED:	DRAWING NO: 991926
FINISH:		ENGINEER:	REV: N
		APPROVED:	SCALE: NONE
			SHEET 4 OF 5

THESE DRAWINGS, THEIR DESIGN, DETAIL AND INVENTION ARE THE PROPERTY OF TEC, INCORPORATED, AND SHALL BE USED ONLY FOR REFERENCE WORK ON CONTRACT OR PROPOSAL SUBMITTED BY THIS COMPANY, AND FOR FIELD REPAIR OF TEC PRODUCTS BY TEC'S CUSTOMER OR END USER, AND SHALL NOT BE COPIED OR DISCLOSED TO ANY OUTSIDE PARTY WITHOUT THE EXPRESSED CONSENT OF TEC, INC.

REVISIONS				
REV	DESCRIPTION	DCN	APPD	DATE
M	REV PER DCN	10535	XU	03 FEB 78
N	REV PER DCN	10822	XU	05 NOV 78

991926



- AZ LD IR P404
- P6-57 CSR-7 NOT USED
- P6-58 PMO-7 BD3-58
- P6-53 CSR-5 BD5-54
- P6-54 PMO-5 BD3-54
- P6-60 PMO-8 NOT USED
- P6-55 CSR-6 BD5-56
- P6-56 PMO-6 BD3-56
- P6-45 CSR-1 BD5-46
- P6-46 PMO-1 BD3-46
- P6-47 CSR-2 BD5-48
- P6-48 PMO-2 BD3-48
- AX EM → IR P409
- P6-49 CSR-3 BD5-50
- P6-50 PMO-3 BD3-50
- P6-51 CSR-4 BD5-52
- AY PM → IR P400
- P6-52 PMO-4 BD3-52

BD.6

933026		42X		TEC TEC, Incorporated		TITLE	
272370F		4 X				SCHEMATIC - PARALLEL I/O	
NEXT ASSY		FIRST USED		DRAWN P. MARTINEZ 1-21-77		SIZE	DRAWING NO
MATERIAL		FINISH		CHECKED		D	991926
APPROVED				ENGR NEER		SCALE NONE	SHEET 5 OF 5

THESE DRAWINGS, THEIR DESIGN, DETAIL AND INVENTION ARE THE PROPERTY OF TEC, INCORPORATED, AND SHALL BE USED ONLY FOR REFERENCE WORK ON CONTRACT OR PROPOSAL SUBMITTED BY THIS COMPANY, AND FOR FIELD REPAIR OF TEC PRODUCTS BY TEC'S CUSTOMER OR END USER, AND SHALL NOT BE COPIED OR DISCLOSED TO ANY OUTSIDE PARTY WITHOUT THE EXPRESSED CONSENT OF TEC, INC.

XXX-930367

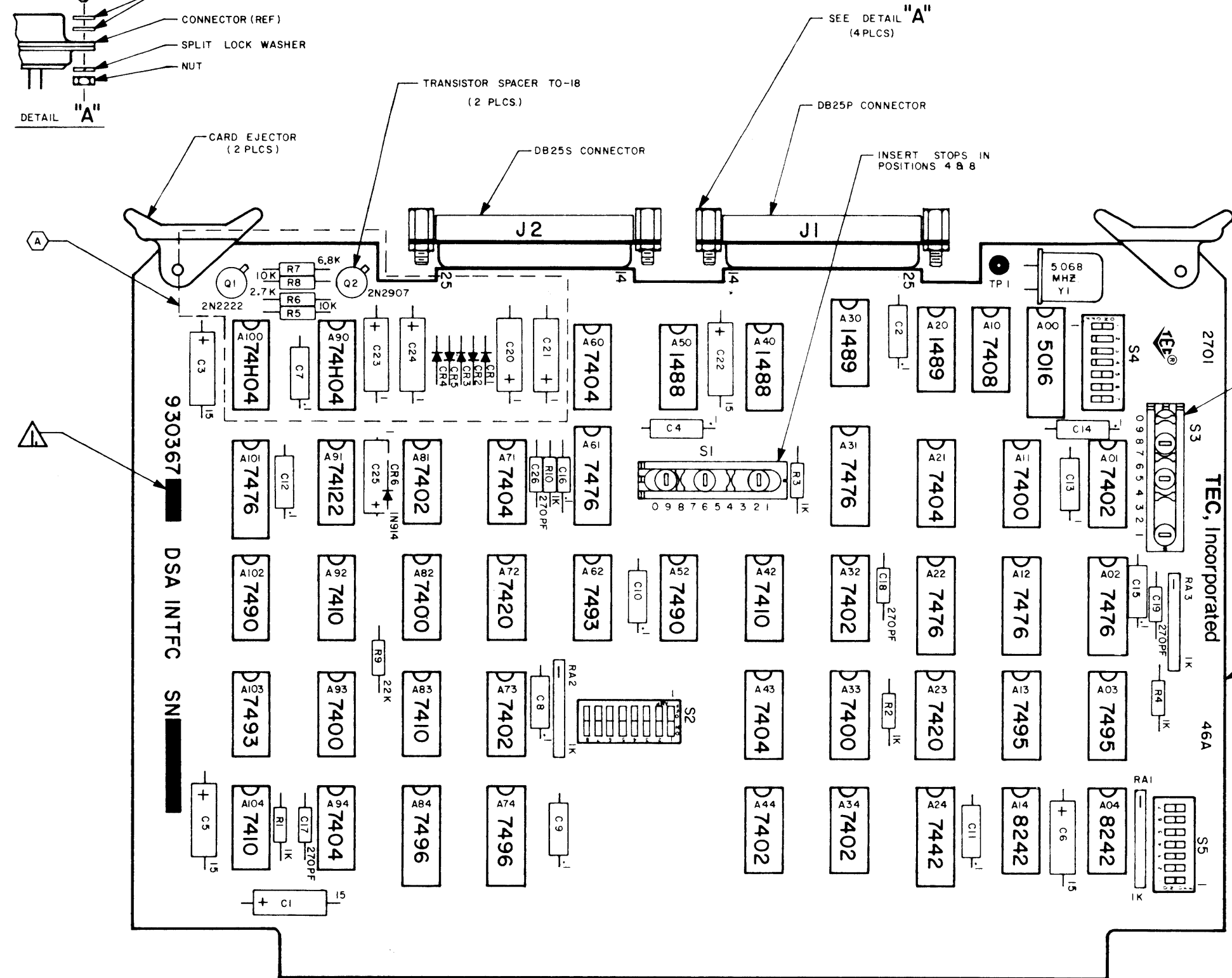
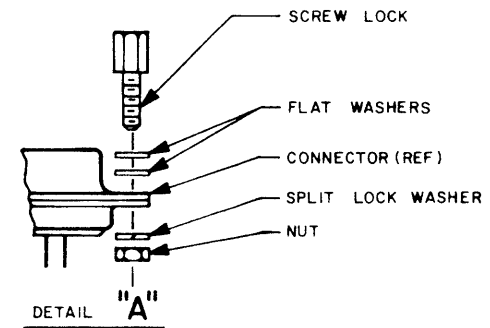
REVISIONS			
REV.	DESCRIPTION	DCN	DATE
A	RELEASED		
B	REV PER DCN	12503	

NOTES:

1. APPLICABLE DASH NO. & REVISION LEVEL TO BE MARKED ON BOARD AT ASSEMBLY.
2. UNLESS OTHERWISE SPECIFIED;
 1. RESISTORS ARE 1/4 W, 5%.
 2. RESISTANCE VALUES ARE IN OHMS.
 3. CAPACITANCE VALUES ARE IN MICROFARADS.
 4. DIODES ARE IN277.
3. DASH NO. DETERMINED BY DC TO DC CONVERTER PARTS. SEE CHART BELOW:

DASH NO	COMPONENTS LOADED	DESCRIPTION
-001		NO CONVERTER
-002	(A)	DC TO DC CONVERTER

SWITCH FUNCTION CHART						
SWITCH	POSITION	FUNCTION				
S1	1	EVEN				
	2	ODD				
	3	MARK				
	5	EVEN				
	6	ODD				
	7	NONE				
	9	RS-232				
	0	TTL				
			PARITY GENERATED SELECT			
			PARITY CHECK SELECT			
S2	1-ON	INTERNAL				
	2-OFF	EXTERNAL				
	3-ON	ENABLE				
	4-OFF	DISABLE				
	5-ON	10 BIT				
	6-OFF	11 BIT				
			CLOCK SELECT			
			RECEIVE DURING XMIT			
			CHARACTER LENGTH			
			NOT USED			
S3	1	POLL MESSAGE				
	2	MESSAGE EOT				
	3					
	5	ENABLE				
	6	DISABLE				
	8	SINGLE				
	9	MULTI				
			TRANSMIT MODE SELECT			
			ADDRESS ADDRESS SELECT			
S4	1	ON	ON	ON	ON	50
	OFF	ON	ON	ON	ON	75
	ON	OFF	ON	ON	ON	110
	OFF	OFF	ON	ON	ON	134.5
	ON	ON	OFF	ON	ON	150
	ON	OFF	OFF	ON	ON	300
	OFF	OFF	OFF	ON	ON	600
	ON	OFF	ON	OFF	ON	1200
	ON	ON	ON	OFF	ON	1800
	OFF	ON	ON	OFF	ON	2000
	ON	OFF	ON	OFF	ON	2400
	OFF	OFF	ON	OFF	ON	3600
	ON	ON	OFF	OFF	ON	4800
	OFF	ON	OFF	OFF	ON	7200
	ON	OFF	OFF	OFF	ON	9600
	OFF	OFF	OFF	OFF	ON	19200
						BAUD RATE SELECT
S5	ADDRESS SELECT SWITCH					
	NUMBERS CORRESPOND TO CHARACTER BIT POSITION. SWITCH ON EQUALS LOGIC "1". SWITCH OFF EQUALS LOGIC "0".					



INSERT STOPS IN POSITIONS 4, 7 & 8

PCB

SCHEMATIC	990153
BILL OF MATERIAL	930367-XXX
DESCRIPTION	NUMBER
REFERENCE	DOCUMENTS

DATE	BY	CHKD	APP'D

TEC, Incorporated

TITLE: P.C.B. ASSY- DSA INTERFACE

DRAWN: NORRGARD 21

CHECKED: [Signature]

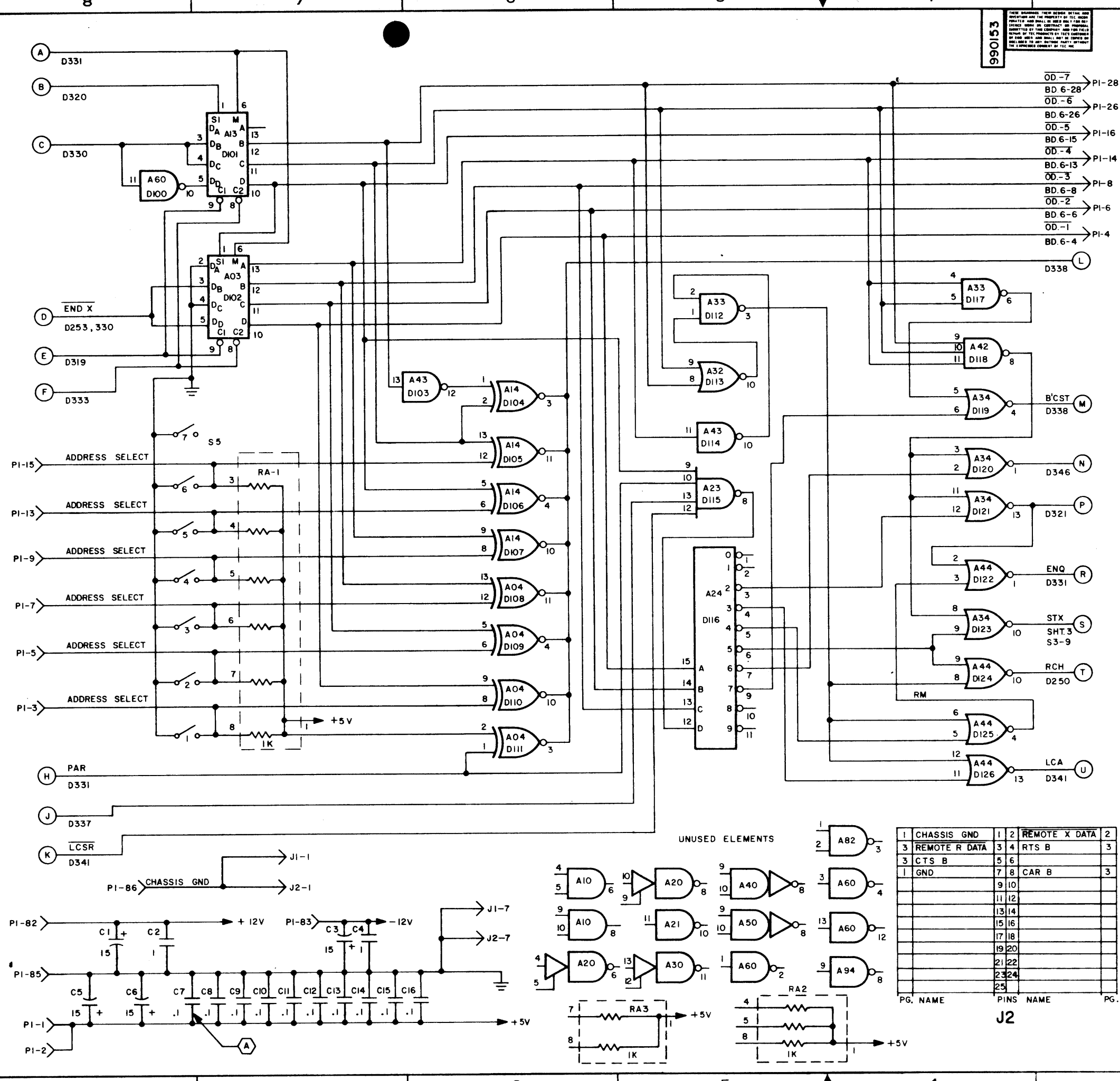
ENGINEER: [Signature]

APPROVED: [Signature]

DATE: SEPT 75

DRAWING NO: D 930367-XXX

REV: B



990153

PG. NAME	PINS	NAME	PG.
1	CHASSIS GND	1	TA OUT
3	ETA IN	3	CTS
3	CTS	5	6
1	GND	7	8
2	TTL OUT	9	10
		11	12
		13	14
		15	16
		17	18
		19	20
		21	22
		23	24
		25	

REVISIONS			
REV.	DESCRIPTION	DCN	APPD. DATE
A	RELEASED		
B	REV PER DCN	12503	5 FEB 75

- NOTES:
- UNLESS OTHERWISE SPECIFIED;
 - RESISTORS ARE 1/4W, 5%.
 - RESISTANCE VALUES ARE IN OHMS.
 - CAPACITANCE VALUES ARE IN MICROFARADS.
 - DIODES ARE IN277.
 - LAST REFERENCE DESIGNATION USED: C26, CR6, R10, RA3, Q2, S5, DI26, D253, D351.
 - REFERENCE DESIGNATION NOT USED:
 - ASSY. DASH NO. DETERMINED BY DC TO DC CONVERTER PARTS. SEE CHART BELOW:

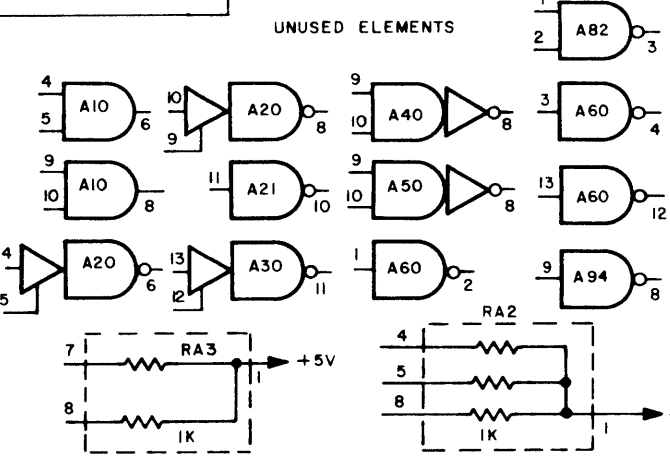
DASH NO.	COMPONENTS LOADED	DESCRIPTION
-001		NO CONVERTER
-002	(A)	DC TO DC CONVERTER

IC TYPE	LOCATION	GND	+5	-12	+12
1488	A40, 50	7		1	14
1489	A20, 30	7	14		
COM5016	A00	11	2		9
7400	A11, 33, 82, 93	7	14		
7402	A01, 32, 34, 44, 73, 81	7	14		
7404	A21, 43, 60, 71, 94	7	14		
7410	A42, 83, 92, 104	7	14		
7420	A23, 72	7	14		
7442	A24	8	16		
7476	A02, 12, 22, 31, 61, 101	13	5		
7490	A52, 102	10	5		
7493	A62, 103	10	5		
7495	A03, 13	7	14		
7496	A74, 84	12	5		
7408	A10	7	14		
74122	A91	7	14		
74H04	A90, 100	7	14		
B242	A04, 14	7	14		

SWITCH FUNCTION CHART									
SWITCH	POSITION	FUNCTION							
S1	1	EVEN	PARITY GENERATED SELECT						
	2	ODD							
	3	MARK							
	5	EVEN	PARITY CHECK SELECT						
	6	ODD							
	7	NONE							
	9	RS 232	INTERFACE SELECT						
	0	TTL							
	S2	1-ON	2-OFF	CLOCK SELECT					
		1-OFF	2-ON						
3-ON		4-OFF	RECEIVE DURING XMIT						
3-OFF		4-ON							
5-ON		6-OFF	10 BIT CHARACTER LENGTH						
5-OFF		6-ON							
7 & 8		NOT USED							
S3		1	POLL MESSAGE	TRANSMIT MODE SELECT					
		2	EOT						
		3	ENABLE						
	5	ENABLE	ADDRESS SELECT						
	6	DISABLE							
	8	SINGLE MULTI							
	S4	1	ON	2	ON	3	ON	4	BAUD RATE
		ON	ON	ON	ON	50			
		OFF	ON	ON	ON	75			
OFF		OFF	ON	ON	110				
OFF		OFF	ON	OFF	134.5				
ON		ON	OFF	ON	150				
OFF		ON	OFF	ON	300				
ON		OFF	OFF	ON	600				
OFF		OFF	OFF	ON	1200				
ON		ON	ON	OFF	1800				
OFF		ON	ON	OFF	2000				
ON		OFF	ON	OFF	2400				
OFF		OFF	ON	OFF	3600				
ON		ON	OFF	OFF	4800				
OFF		ON	OFF	OFF	7200				
ON		OFF	OFF	OFF	9600				
OFF	OFF	OFF	OFF	19200					

PG. NAME	PINS	NAME	PG.
1	+5V	1	2
1	ADD SELECT	3	4
1	ADD SELECT	5	6
1	ADD SELECT	7	8
1	ADD SELECT	9	10
		11	12
1	ADD SELECT	13	14
1	ADD SELECT	15	16
		17	18
		19	20
		21	22
		23	24
		25	26
		27	28
		29	30
		31	32
		33	34
		35	36
		37	38
		39	40
		41	42
		43	44
		45	46
		47	48
		49	50
		51	52
		53	54
		55	56
		57	58
2	ID-1	59	60
		61	62
2	ID-2	63	64
		65	66
2	ID-3	67	68
		69	70
2	ID-4	71	72
		73	74
2	ID-5	75	76
		77	78
2	TA	79	80
		81	82
2	XMIT	83	84
1	-12V	85	86
		CHASSIS GND	1

PG. NAME	PINS	NAME	PG.
1	CHASSIS GND	1	2
3	REMOTE R DATA	3	4
3	CTS B	5	6
1	GND	7	8
		9	10
		11	12
		13	14
		15	16
		17	18
		19	20
		21	22
		23	24
		25	



930367-XXX	270146A
REV. ASSY.	FIRST USE
FINISH	

TEC Incorporated

SCHEMATIC — DSA INTERFACE

DRAWN: NORRGARD 21
 CHECKED: [Signature]
 ENGINEER: [Signature]
 APPROVED: [Signature]

DATE: SEPT 75
 SIZE: D
 DRAWING NO: 990153
 REV: B

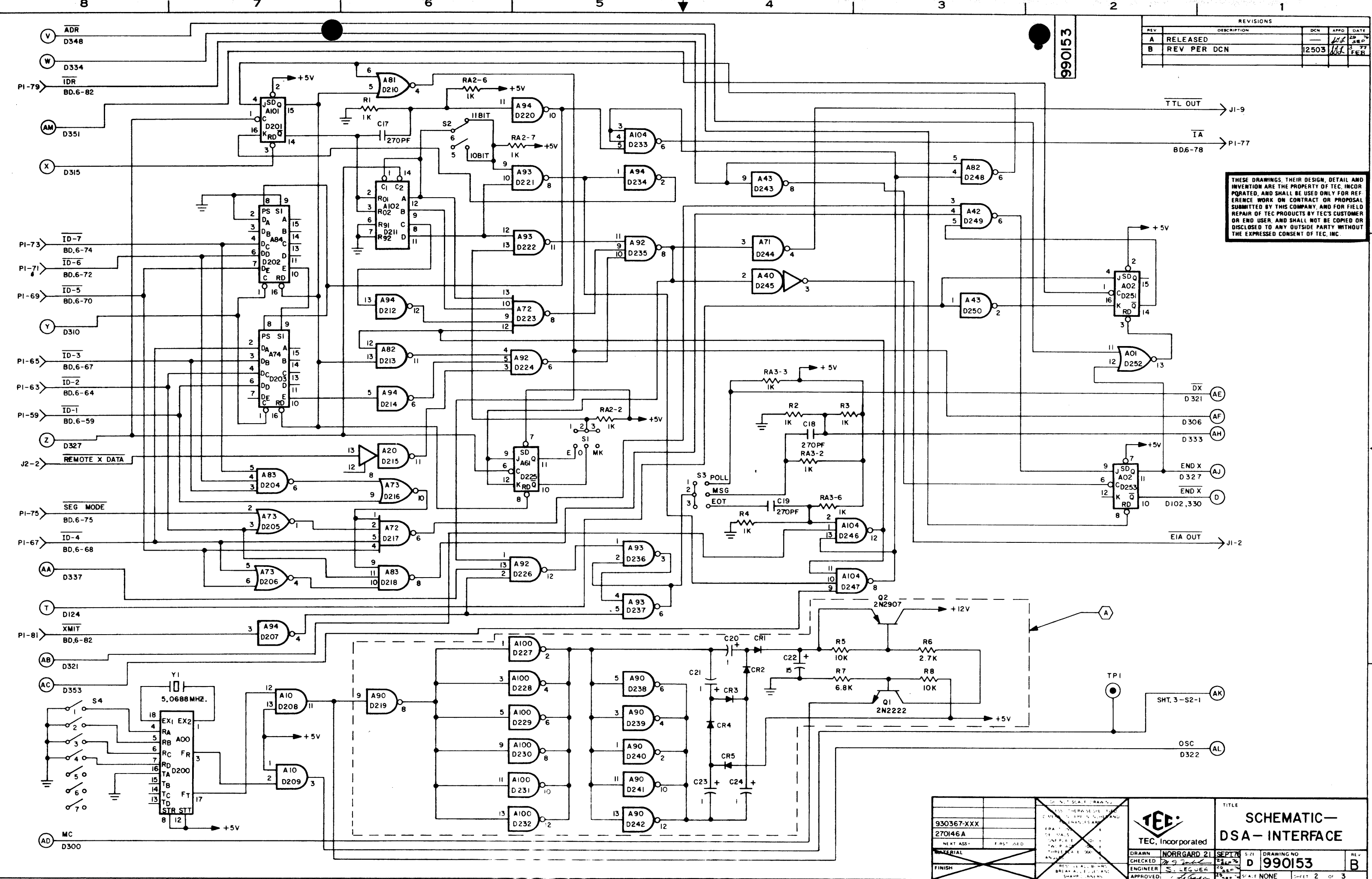
SCALE: NONE
 SHEET 1 OF 3

REVISIONS

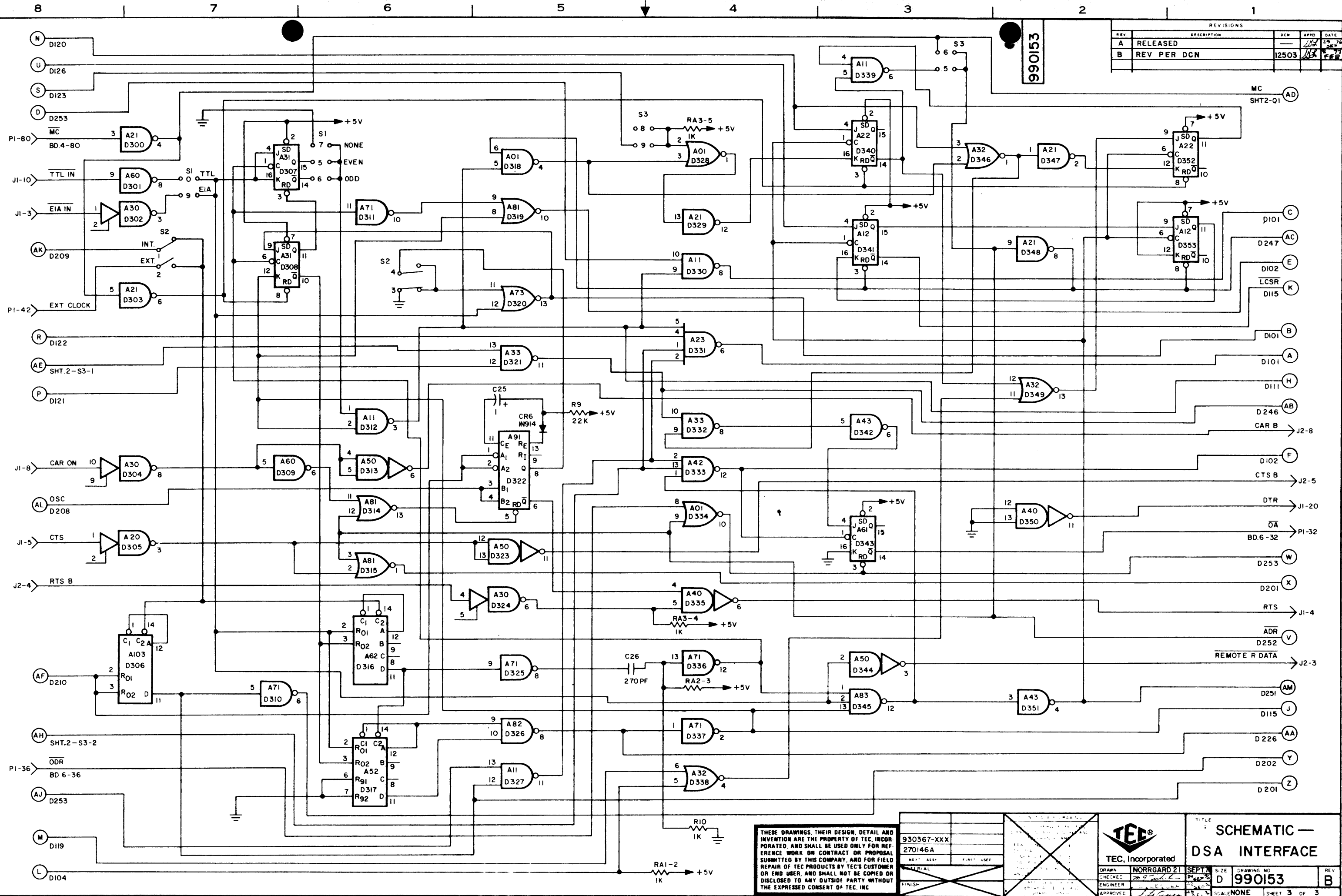
REV	DESCRIPTION	DCN	APPD	DATE
A	RELEASED			29 SEP 74
B	REV PER DCN	12503		3 77 FEB

THESE DRAWINGS, THEIR DESIGN, DETAIL AND INVENTION ARE THE PROPERTY OF TEC, INCORPORATED, AND SHALL BE USED ONLY FOR REFERENCE WORK ON CONTRACT OR PROPOSAL SUBMITTED BY THIS COMPANY, AND FOR FIELD REPAIR OF TEC PRODUCTS BY TEC'S CUSTOMER OR END USER, AND SHALL NOT BE COMED OR DISCLOSED TO ANY OUTSIDE PARTY WITHOUT THE EXPRESSED CONSENT OF TEC, INC.

990153



930367-XXX	270146A	TEC, Incorporated	TITLE	SCHEMATIC— DSA — INTERFACE					
NEXT ASS	FIRST ISS		DRAWN	NORRGARD 21	DATE	SEP 74	DRAWING NO	990153	REV
MATERIAL	FINISH	CHECKED	S. LEGUER	ENGINEER		APPROVED			
			SCALE	NONE	SHEET	2 OF 3			



REVISIONS			
REV	DESCRIPTION	DCN	DATE
A	RELEASED		12/29/74
B	REV PER DCN	12503	1/15/75

THESE DRAWINGS, THEIR DESIGN, DETAIL AND INVENTION ARE THE PROPERTY OF TEC, INCORPORATED, AND SHALL BE USED ONLY FOR REFERENCE WORK ON CONTRACT OR PROPOSAL SUBMITTED BY THIS COMPANY, AND FOR FIELD REPAIR OF TEC PRODUCTS BY TEC'S CUSTOMER OR END USER, AND SHALL NOT BE COPIED OR DISCLOSED TO ANY OUTSIDE PARTY WITHOUT THE EXPRESSED CONSENT OF TEC, INC.

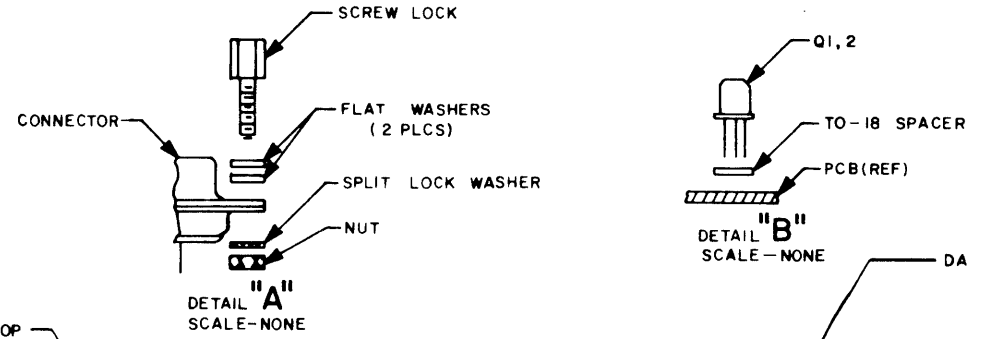
930367-XXX		
270146A		
REV. ASSY.		FINISH

 TEC, Incorporated	TITLE SCHEMATIC — DSA INTERFACE
DRAWN: NORRGARD 21 CHECKED: [Signature] ENGINEER: [Signature] APPROVED: [Signature]	DATE: SEPT 74 SIZE: D DRAWING NO: 990153 SCALE: NONE SHEET 3 OF 3

ALL DRAWINGS THEIR DESIGN, DETAIL AND CONTENT ARE THE PROPERTY OF TEC, INCORPORATED, AND SHALL BE USED ONLY FOR REFERENCE WORK ON CONTRACT OR PROPOSAL SUBMITTED BY THIS COMPANY, AND FOR FIELD REPAIR OF TEC PRODUCTS BY TEC'S CUSTOMER OR END USER, AND SHALL NOT BE COPIED OR DISCLOSED TO ANY OUTSIDE PARTY WITHOUT THE EXPRESSED CONSENT OF TEC, INC.

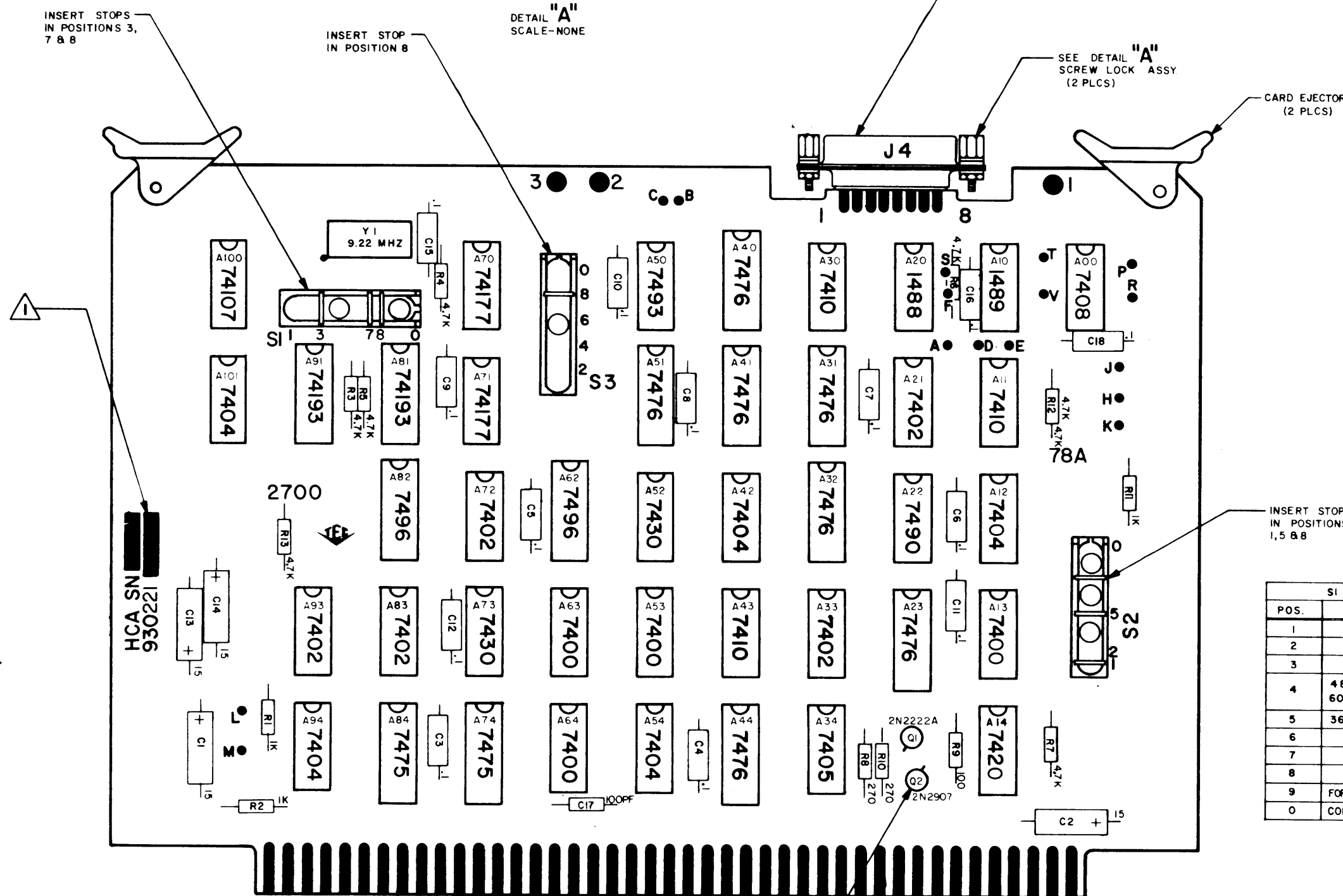
930221

REVISIONS				
REV.	DESCRIPTION	DCN	APPD	DATE
A	REV PER DCN	9791	X	12/1/74
B	REV PER DCN	11890	X	1/15/75



NOTES:

1. APPLICABLE REVISION LEVEL TO BE MARKED ON BOARD AT ASSEMBLY.
2. UNLESS OTHERWISE SPECIFIED;
 1. RESISTORS ARE 1/4W, 5%.
 2. RESISTANCE VALUES ARE IN OHMS.
 3. CAPACITANCE VALUES ARE IN MICROFARADS.



SI POS.	S3 POS.	BAUD RATE
4	1	4800
5	1	3600
4	2	2400
5	2	1800
4	3	1200
4	4	600
4	5	300
4	6	150
6	3	110
N/A	7	EXTERNAL OSCILLATOR

POS.	FUNCTION
1	NOT USED
2	NOT USED
3	---
4	4800, 2400, 1200, 600, 300, 150 BAUD
5	3600, 1800 BAUD
6	110 BAUD
7	---
8	---
9	FORCE SEG MODE
0	CONTROLLED SEG MODE

POS.	FUNCTION
1	---
2	NO PARITY (MARK TRANSMITTED)
3	ODD PARITY
4	EVEN PARITY
5	---
6	PRINTER READY - POS.
7	PRINTER READY - NEG.
8	---
9	PRINTER BUSY - NEG.
0	PRINTER BUSY - POS.

POS.	FUNCTION
1	4800, 3600 BAUD
2	2400, 1800 BAUD
3	1200, 110 BAUD
4	600 BAUD
5	300 BAUD
6	150 BAUD
7	EXTERNAL OSCILLATOR
8	---
9	NOT USED
0	NOT USED

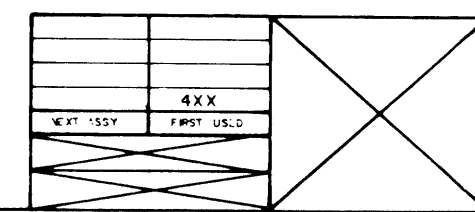
SCHEMATIC	990090
BILL OF MATERIAL	930221
DESCRIPTION	NUMBER

BDIO

REFERENCE DOCUMENTS
PCB ASSY —
HARD COPY ADAPTER



DRAWN	G. BARTON	11874	DATE	1-8-74
CHECKED				
ENGINEER				
APPROVED				



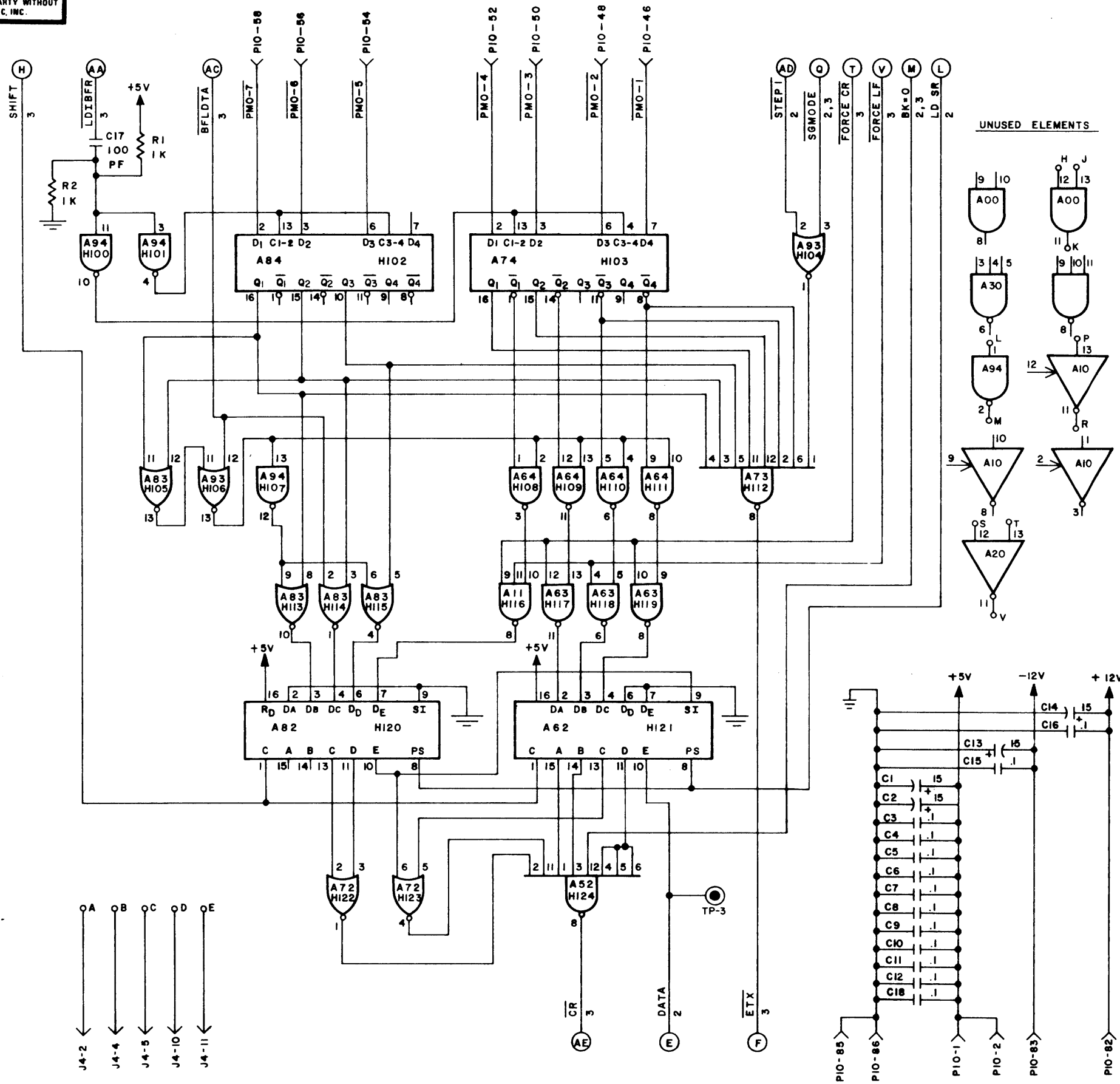
SEE DETAIL "B"

THESE DRAWINGS, THEIR DESIGN, DETAIL AND INVENTION ARE THE PROPERTY OF TEC, INCORPORATED, AND SHALL BE USED ONLY FOR REFERENCE WORK ON CONTRACT OR PROPOSAL SUBMITTED BY THIS COMPANY, AND FOR FIELD REPAIR OF TEC PRODUCTS BY TEC'S CUSTOMER OR END USER, AND SHALL NOT BE COPIED OR DISCLOSED TO ANY OUTSIDE PARTY WITHOUT THE EXPRESSED CONSENT OF TEC, INC.

990090

A	RELEASED PER DCN	9791
B	REV PER DCN	11890

- NOTES**
- UNLESS OTHERWISE SPECIFIED;
 - RESISTORS ARE 1/4W, 5%.
 - RESISTANCE VALUES ARE IN OHMS.
 - CAPACITANCE VALUES ARE IN MICROFARADS.
 - LAST REFERENCE DESIGNATION USED: C18, R13, S3, Q2, H124, H238, H349
 - REFERENCE DESIGNATIONS NOT USED:



UNUSED ELEMENTS

2	GND	1	9	+20MA	2
1	PAD A	2	10	PAD D	1
2	BB	3	11	PAD E	1
1	PAD B	4	12	PRTBSY	3
1	PAD C	5	13	PRTRDY	3
2	CC	6	14	TTL OUT	2
2	GND	7	15	TTL OUT	2
2	CF	8			

J4

1	+5V	1	2	+5V	1
		3	4		
3	CCMPR	5	6		
3	CAV+1	7	8		
3	CLRCAH	9	10	CLRCV	3
3	PRINT	11	12		
		13	14	CAH+1	3
		15	16	CAH-1	3
		17	18		
		19	20		
		21	22		
		23	24		
		25	26		
		27	28		
		29	30		
3	LSTCHR	31	32	PRTBSY	3
		33	34		
2	PM CLK	35	36		
		37	38	LSTLIN	3
3	EOM	39	40	HLO	3
		41	42	EXT OSC	2
		43	44		
		45	46	PMO-1	1
		47	48	PMO-2	1
		49	50	PMO-3	1
		51	52	PMO-4	1
		53	54	PMO-5	1
		55	56	PMO-6	1
		57	58	PMO-7	1
		59	60		
		61	62	PROTCT	3
		63	64		
		65	66		
		67	68		
		69	70		
		71	72		
		73	74		
2	SGMODE	75	76		
		77	78		
3	PUC	79	80	16XCLK	2
		81	82	+12V	1
1	-12V	83	84		
1	GND	85	86	GND	1

S1 FUNCTIONS

POS.	FUNCTION
1	NOT USED
2	NOT USED
3	
4	4800, 2400, 1200, 600, 300, 150 BAUD
5	3600, 1800 BAUD
6	110 BAUD
7	
8	
9	FORCE SEG MODE
0	CONTROLLED SEG MODE

S2 FUNCTIONS

POS.	FUNCTION
1	
2	NO PARITY (MARK TRANSMITTED)
3	ODD PARITY
4	EVEN PARITY
5	
6	PRINTER READY - POS.
7	PRINTER READY - NEG.
8	
9	PRINTER BUSY - NEG.
0	PRINTER BUSY - POS.

S3 FUNCTIONS

POS.	FUNCTION
1	4800, 3600 BAUD
2	2400, 1800 BAUD
3	1200, 110 BAUD
4	600 BAUD
5	300 BAUD
6	150 BAUD
7	EXT. OSC.
8	
9	NOT USED
0	NOT USED

S1 & S3 BAUD RATE SELECT

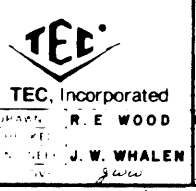
SI POS.	S3 POS.	BAUD RATE
4	1	4800
5	1	3600
4	2	2400
5	2	1800
4	3	1200
4	4	600
4	5	300
4	6	150
6	3	110
N/A	7	EXT. OSC.

IC TYPE LOCATION GND +5 +12 -12

IC TYPE	LOCATION	GND	+5	+12	-12
7400	A13,53,63,64	7	14		
7402	A21,33,72,83,93	7	14		
7404	A12,42,54,94,101	7	14		
7405	A34	7	14		
7408	A00	7	14		
7410	A11,30,43	7	14		
7420	A14	7	14		
7430	A52,73	7	14		
7475	A74,84	12	5		
7476	A23,31,32,40,41,44,51	13	5		
7490	A22	10	5		
7493	A50	10	5		
7496	A62,82	12	5		
74107	A100	7	14		
74177	A70,71	7	14		
74193	A81,91	8	16		
1488	A20	7	14	1	
1489	A10	7	14		

PIO

930221	270078A	4XX
FINISH		



SCHEMATIC - HARD COPY ADAPTER

990090 B

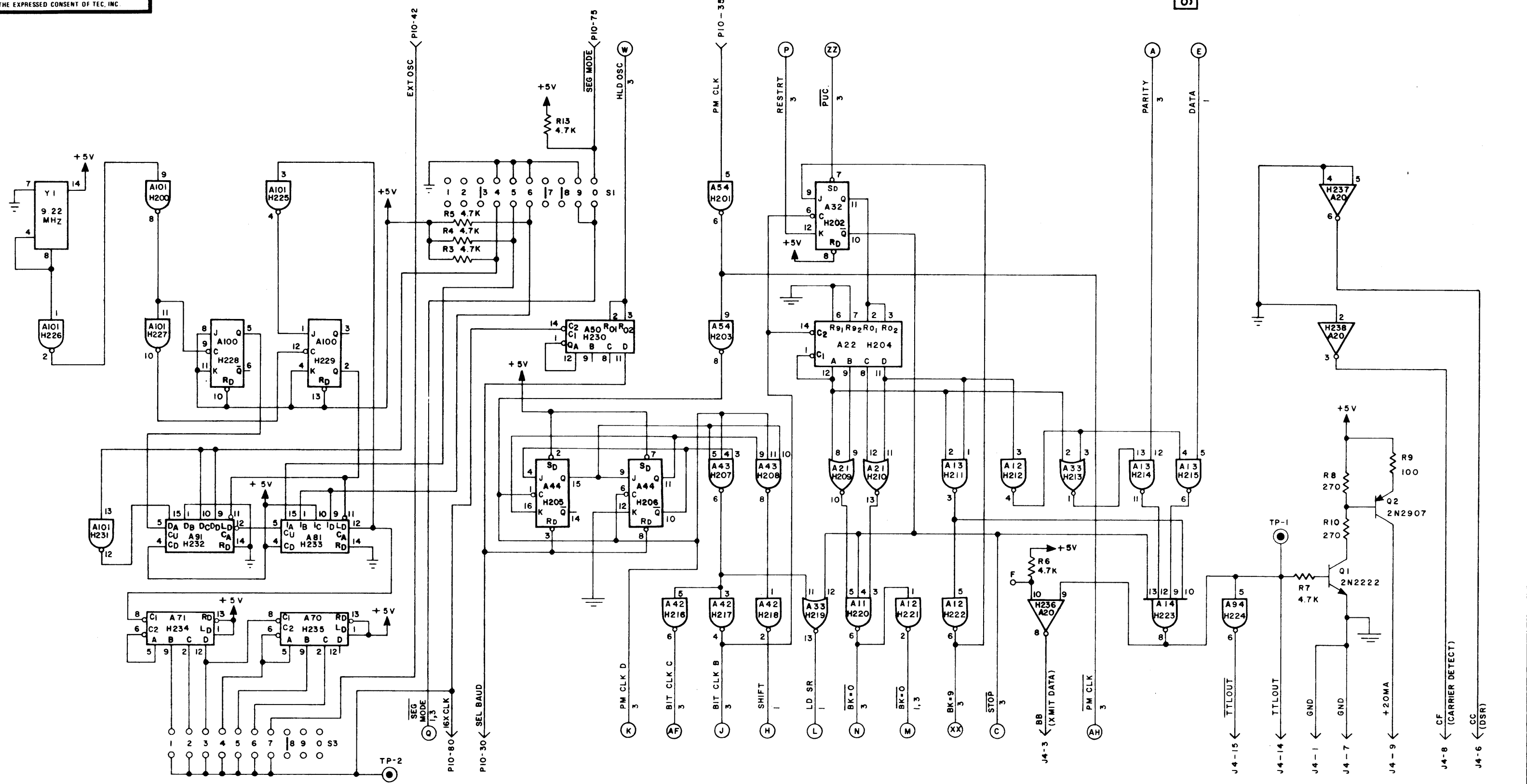
NONE 1 3

BD.10

THESE DRAWINGS, THEIR DESIGN, DETAIL AND INVENTION ARE THE PROPERTY OF TEC, INCORPORATED, AND SHALL BE USED ONLY FOR REFERENCE WORK ON CONTRACT OR PROPOSAL SUBMITTED BY THIS COMPANY, AND FOR FIELD REPAIR OF TEC PRODUCTS BY TEC'S CUSTOMER OR END USER, AND SHALL NOT BE COPIED OR DISCLOSED TO ANY OUTSIDE PARTY WITHOUT THE EXPRESSED CONSENT OF TEC, INC.

990090

A	RELEASED PER DCN	9791	
B	REV PER DCN	11890	



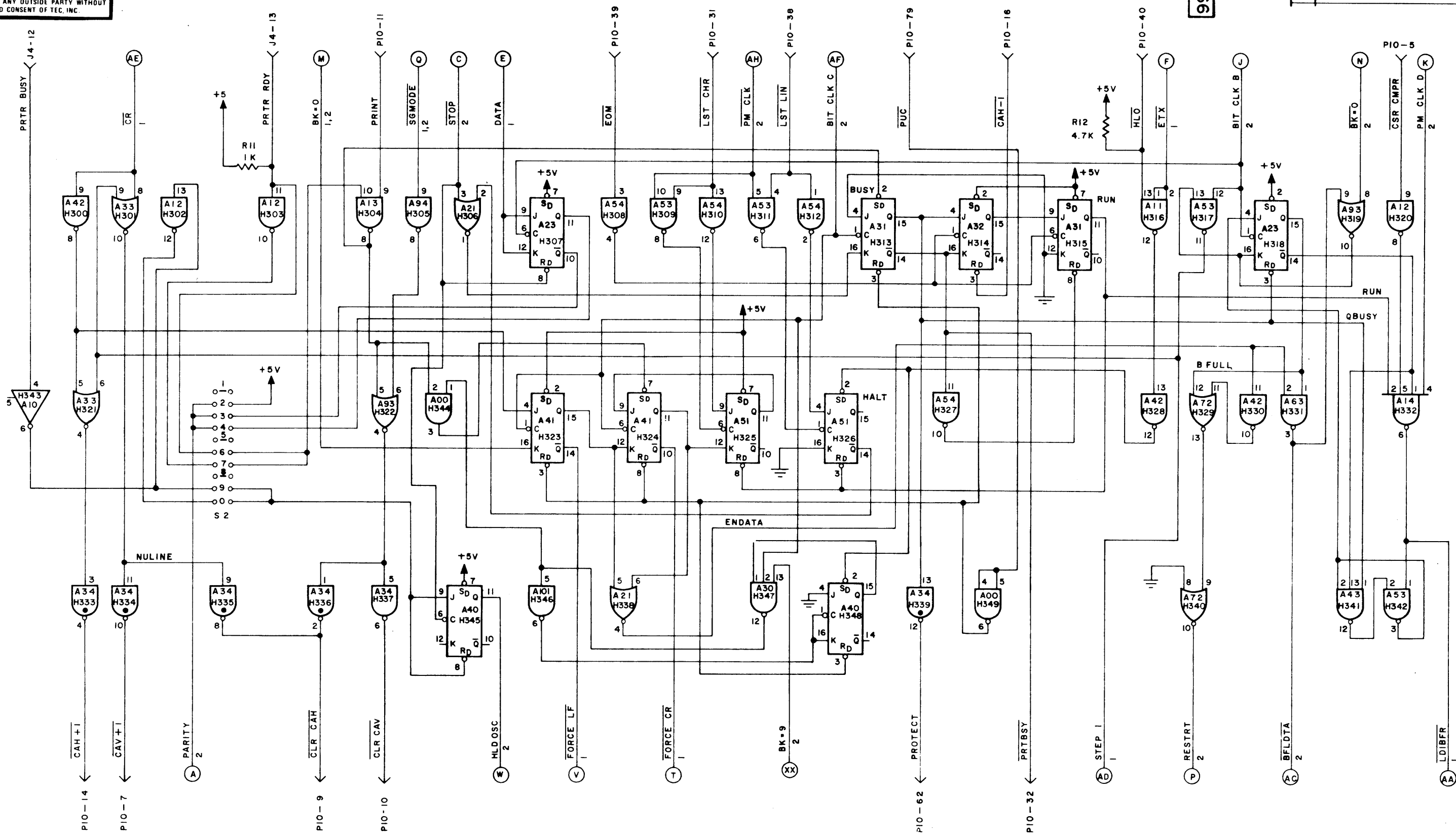
BD 10

930221		TEC TEC, Incorporated	SCHEMATIC - HARD COPY ADAPTER	
270078B	4 X X		RE WOOD	5-18-72
FINISH		J. W. WHALEN	990090	B
		NONE		2 3

THESE DRAWINGS, THEIR DESIGN, DETAIL AND INVENTION ARE THE PROPERTY OF TEC, INCORPORATED, AND SHALL BE USED ONLY FOR REFERENCE WORK ON CONTRACT OR PROPOSAL SUBMITTED BY THIS COMPANY, AND FOR FIELD REPAIR OF TEC PRODUCTS BY TEC'S CUSTOMER OR END USER, AND SHALL NOT BE COPIED OR DISCLOSED TO ANY OUTSIDE PARTY WITHOUT THE EXPRESSED CONSENT OF TEC, INC.

A	RELEASED PER DCN	9791
B	REV PER DCN	11890

990090

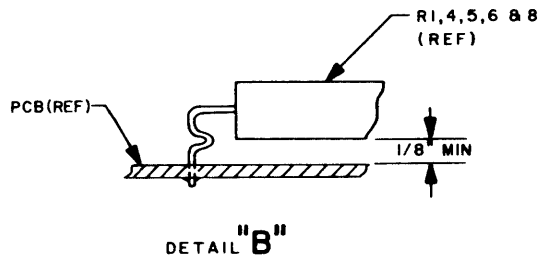
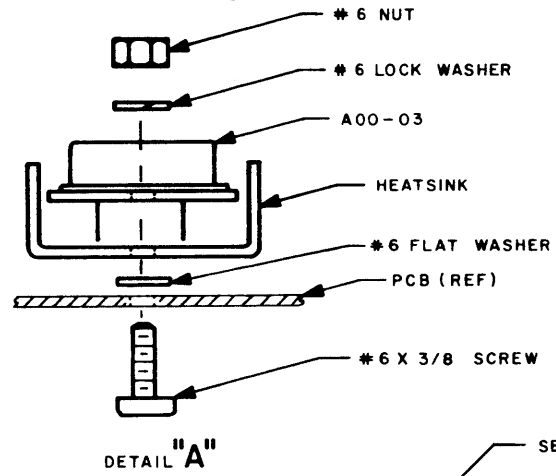


930221		TEC TEC, Incorporated	SCHEMATIC - HARD COPY ADAPTER	
270078	4XX			
NEXT A		R. E. WOOD	5-18-72	D 990090 B
FINISH		J. W. WHALEN	2050	

THESE DRAWINGS, THEIR DESIGN, DETAIL AND INVENTION ARE THE PROPERTY OF TEC, INCORPORATED, AND SHALL BE USED ONLY FOR REFERENCE WORK ON CONTRACT OR PROPOSAL SUBMITTED BY THIS COMPANY, AND FOR FIELD REPAIR OF TEC PRODUCTS BY TEC'S CUSTOMER OR END USER, AND SHALL NOT BE COPIED OR DISCLOSED TO ANY OUTSIDE PARTY WITHOUT THE EXPRESSED CONSENT OF TEC, INC.

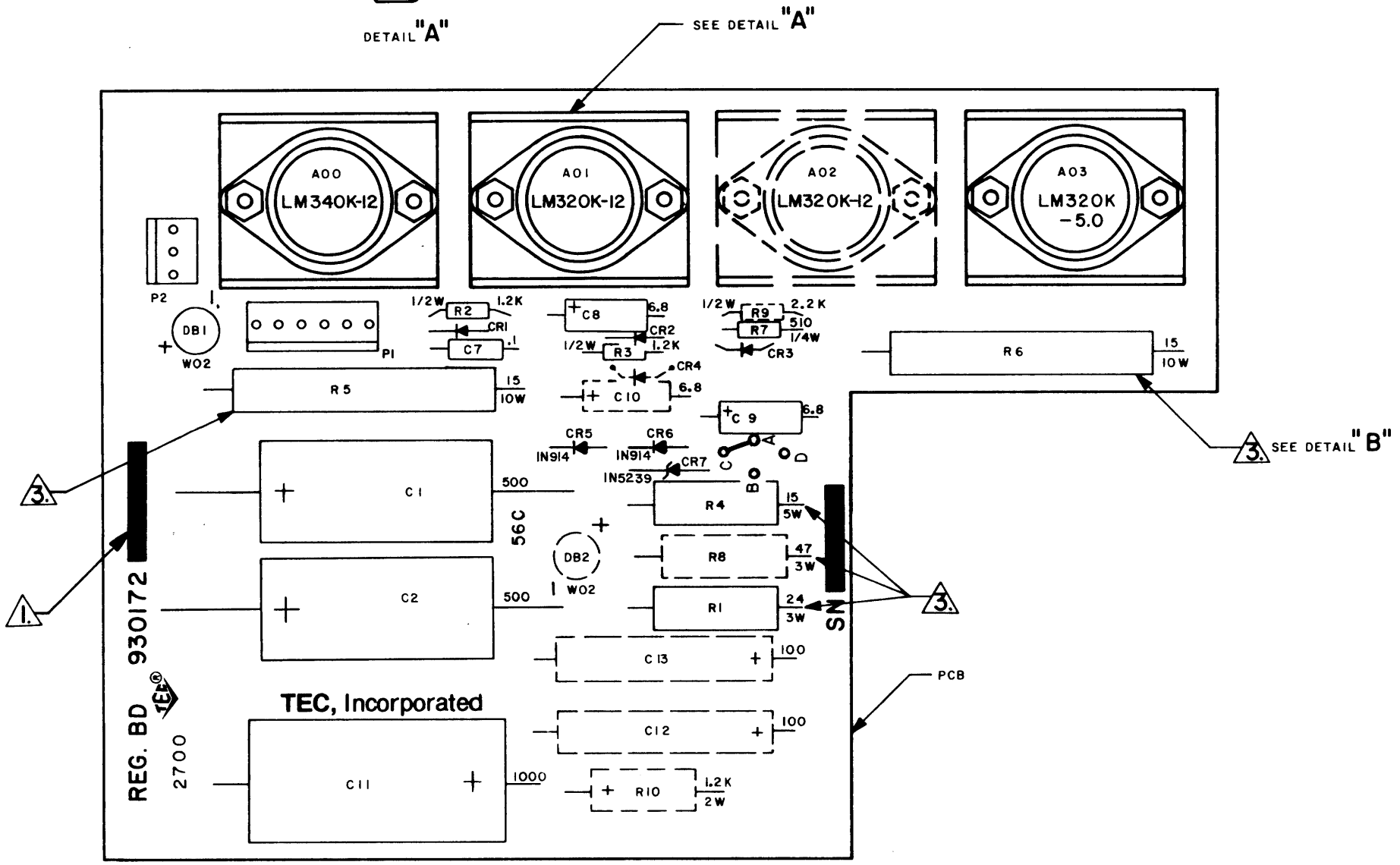
REVISIONS				
REV.	DESCRIPTION	DCN	APPD	DATE
J	REV PER DCN	13088	2AS	1/27/76

930172-XXX



- NOTES:
1. APPLICABLE REVISION LEVEL & DASH NO. TO BE MARKED ON BOARD AT ASSEMBLY.
 2. UNLESS OTHERWISE SPECIFIED;
 1. RESISTANCE VALUES ARE IN OHMS.
 2. CAPACITANCE VALUES ARE IN MICROFARADS.
 3. DIODES ARE IN4002.
 3. LOAD R1,4,5,6, AND 8 WITH VALUE FACING UP.

DASH NO.	ADDITIONAL COMPONENTS LOADED	DESCRIPTION
-000	COMPONENTS SHOWN AS DASHED LINES.	-23V OPTION
-001		NO-23V OPTION



REG. BD 930172
2700

TEC, Incorporated

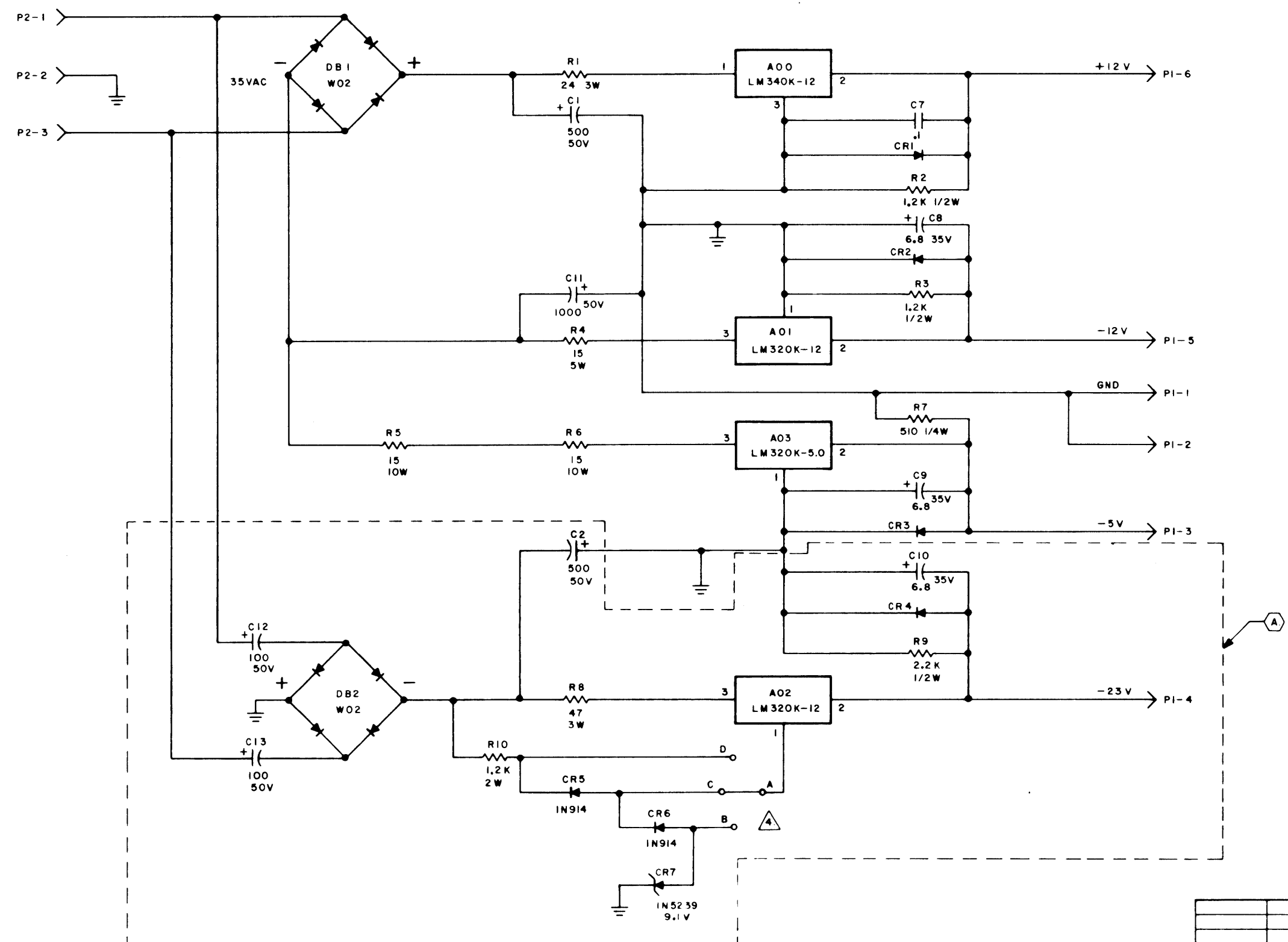
SCHEMATIC	990076
BILL OF MATERIAL NUMBER	930172-XXX
DESCRIPTION	NUMBER
REFERENCE DOCUMENTS	

DO NOT SCALE DRAWING UNLESS OTHERWISE SPECIFIED DIMENSIONS ARE IN INCHES AND TOLERANCES ARE:			TITLE	
930351	4 X 5		PCB ASSY - REGULATOR BD.	
930237	4 X 0	DRAWN: VAN BEEK 29 JAN 76 CHECKED: [Signature] 29 JAN 76 ENGINEER: S. LEO-SEA APPROVED: [Signature]	SIZE	DRAWING NO.
NEXT ASSY	FIRST USED		B	930172-XXX
FINISH		SCALE 2/1	SHEET 1 OF 1	

THESE DRAWINGS, THEIR DESIGN, DETAIL AND INVENTION ARE THE PROPERTY OF TEC, INCORPORATED, AND SHALL BE USED ONLY FOR REFERENCE WORK ON CONTRACT OR PROPOSAL SUBMITTED BY THIS COMPANY, AND FOR FIELD REPAIR OF TEC PRODUCTS BY TEC'S CUSTOMER OR END USER, AND SHALL NOT BE COPIED OR DISCLOSED TO ANY OUTSIDE PARTY WITHOUT THE EXPRESSED CONSENT OF TEC, INC.

990076

REVISIONS			
REV	DESCRIPTION	DCN	APPO
J	REV PER DCN	13088	AS



- NOTES:
- UNLESS OTHERWISE SPECIFIED;
 - RESISTANCE VALUES ARE IN OHMS
 - CAPACITANCE VALUES ARE IN MICROFARADS.
 - DIODES ARE IN4002.
 - LAST REFERENCE DESIGNATIONS USED; C13, R10, CR7, DB2, A03
 - REFERENCE DESIGNATIONS NOT USED; C3-6
 - JUMPER WIRE POSITIONS:
 - A TO C $22V \pm 1V$ (NORMALLY INSTALLED)
 - A TO D $22.6V \pm 1V$
 - A TO B $21.4V \pm 1V$

ASSY DASH NO.	ADDITIONAL COMPONENTS LOADED	DESCRIPTION
-000	(A)	-23V OPTION
-001		NO -23V OPTION

930172-XXX 270056C		DO NOT SCALE DRAWING	 TEC, Incorporated	TITLE	
NEXT ASSEMBLY FIRST USED		UNLESS OTHERWISE SPECIFIED DIMENSIONS ARE IN INCHES AND TOLERANCES ARE FRACTIONAL DECIMALS ONE PLACE .01 TWO PLACE .001 THREE PLACE .0001 ANGLES REMOVE ALL BURRS BREAK ALL EDGES AND SHARP CORNERS		SCHEMATIC-REGULATOR BD.	
FINISH			DRAWN VAN BEEK 29 JAN76 CHECKED [Signature] ENGINEER [Signature] APPROVED [Signature]	SIZE B DRAWING NO 990076 SCALE NONE SHEET 1 OF 1	REV J

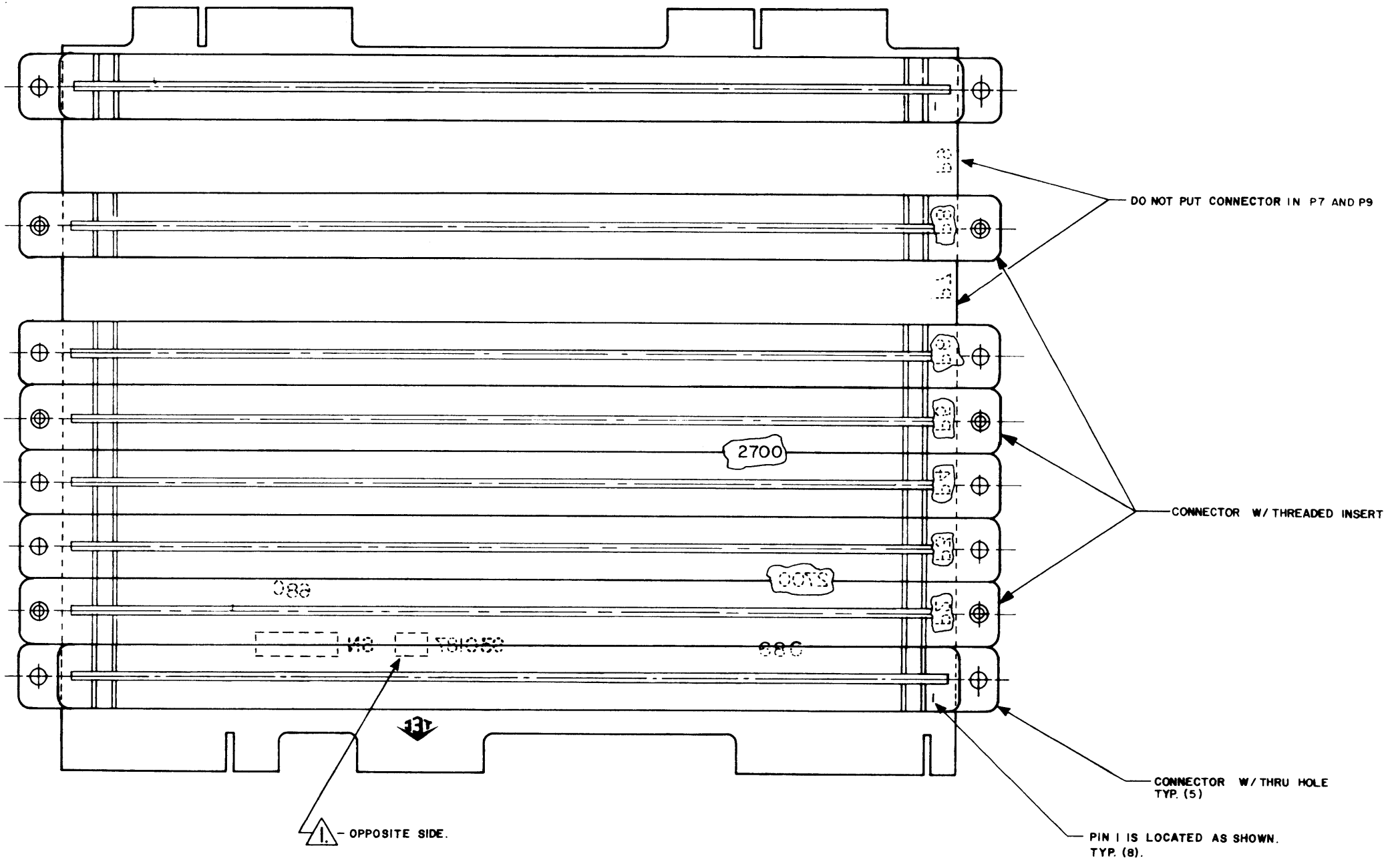
THESE DRAWINGS, THEIR DESIGN, DETAIL AND INVENTION ARE THE PROPERTY OF TEC, INCORPORATED, AND SHALL BE USED ONLY FOR REFERENCE WORK ON CONTRACT OR PROPOSAL SUBMITTED BY THIS COMPANY, AND FOR FIELD REPAIR OF TEC PRODUCTS BY TEC'S CUSTOMER OR END USER, AND SHALL NOT BE COPIED OR DISCLOSED TO ANY OUTSIDE PARTY WITHOUT THE EXPRESSED CONSENT OF TEC, INC.

T-930187

REVISIONS				
REV	DESCRIPTION	DCN	APPD	DATE
E	REV PER DCN	10436		
F	REV PER DCN	11268		

NOTES:

⚠ APPLICABLE REVISION LEVEL TO BE MARKED ON BOARD AT ASSEMBLY.



SCHEMATIC	990078
BILL OF MATERIAL	930187
DESCRIPTION	NUMBER
REFERENCE	DOCUMENTS

TITLE
P.C.B. ASSY.
MOTHERBOARD
"400" SERIES

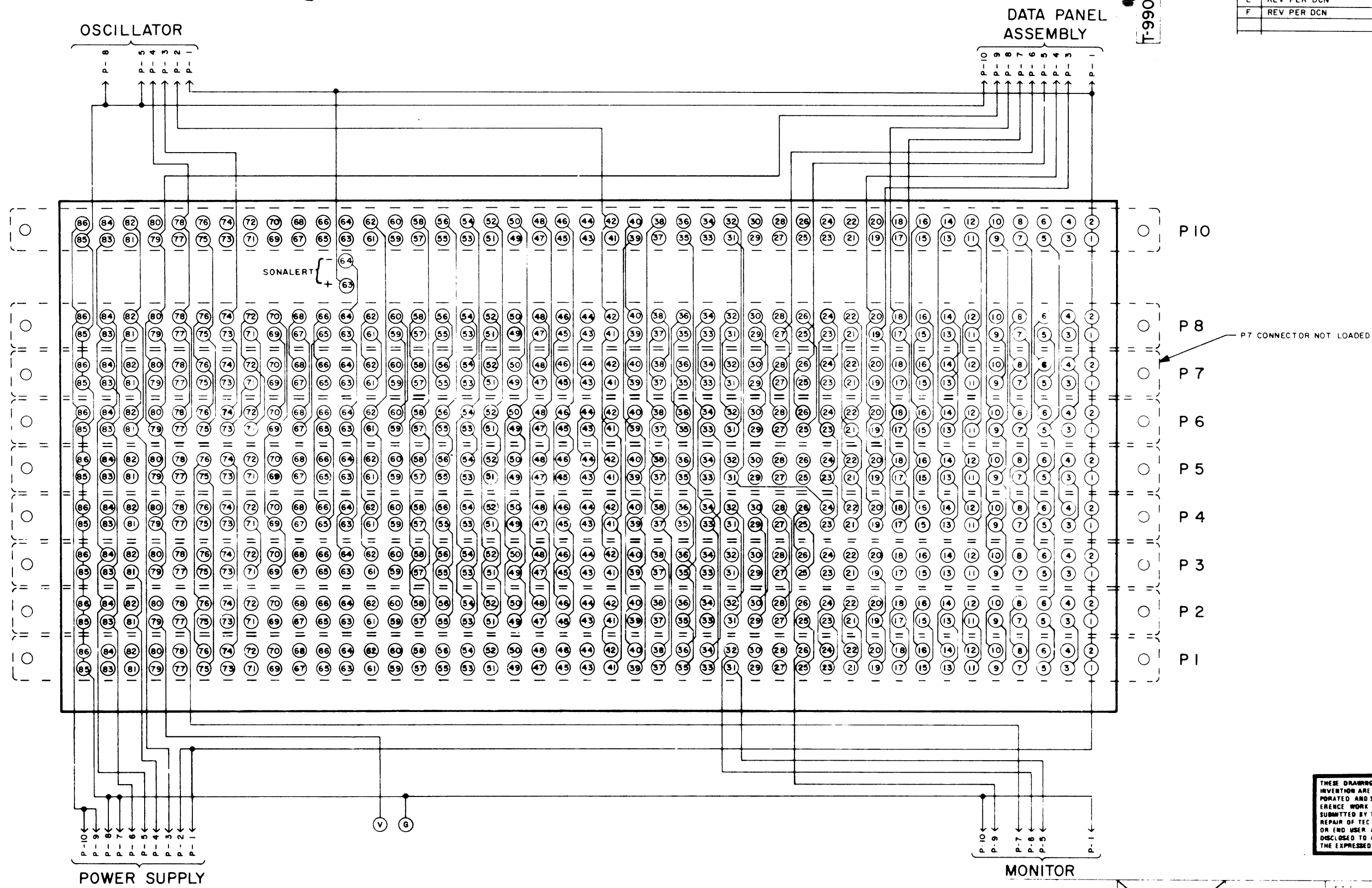
DO NOT SCALE DRAWING
UNLESS OTHERWISE SPECIFIED
DIMENSIONS ARE IN INCHES AND
TOLERANCES ARE:
FRACTIONS .015
DECIMALS .01
ONE PLACE .01
TWO PLACE .005
THREE PLACE .0005
ANGLES .01
REMOVE ALL BURRS
BREAK ALL EDGES AND
SHARP CORNERS



DRAWN	G. BARTON	225-74	26	DRAWING NO	D T-930187	F
CHECKED						
ENGINEER						
APPROVED						

REVISIONS				
REV.	DESCRIPTION	DCN	APPD.	DATE
E	REV PER DCN	10436	[Signature]	3 5 6 6
F	REV PER DCN	11268	[Signature]	3 6 7

T-990078



THESE DRAWINGS, THEIR DESIGN, DETAIL AND INVENTION ARE THE PROPERTY OF TEC, INCORPORATED AND SHALL BE USED ONLY FOR REFERENCE WORK ON CONTRACT OR PROPOSAL SUBMITTED BY THIS COMPANY, AND FOR FIELD REPAIR OF TEC PRODUCTS BY TEC'S CUSTOMER OR END USER AND SHALL NOT BE COPIED OR DISCLOSED TO ANY OUTSIDE PARTY WITHOUT THE EXPRESSED CONSENT OF TEC, INC.

MONITOR

930187
270068C 4XX



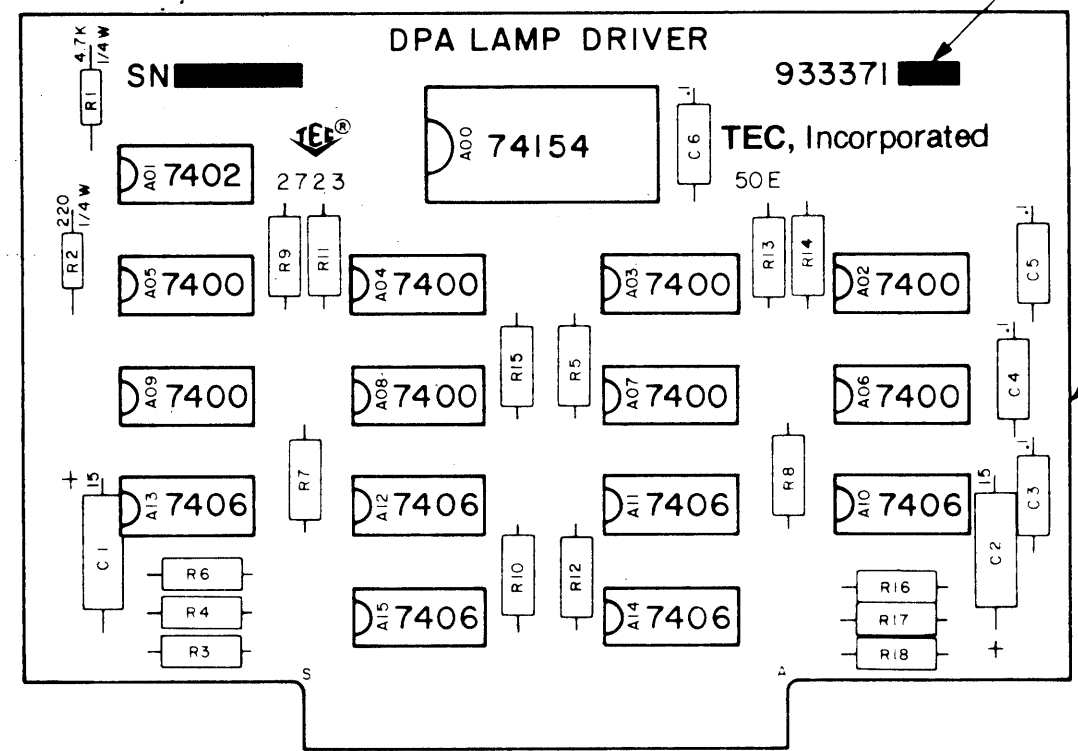
SCHMATIC-MOTHERBOARD "400" SERIES

TEC, INCORPORATED
G. BARTON
23-74 SIZE DRAWING NO. 2374
D T-990078 F
SCALE NONE SHEET 1 OF 1

THESE DRAWINGS, THEIR DESIGN, DETAIL AND INVENTION ARE THE PROPERTY OF TEC, INCORPORATED, AND SHALL BE USED ONLY FOR REFERENCE WORK ON CONTRACT OR PROPOSAL SUBMITTED BY THIS COMPANY, AND FOR FIELD REPAIR OF TEC PRODUCTS BY TEC'S CUSTOMER OR END USER, AND SHALL NOT BE COPIED OR DISCLOSED TO ANY OUTSIDE PARTY WITHOUT THE EXPRESSED CONSENT OF TEC, INC.

933371

REVISIONS				
REV	DESCRIPTION	DCN	APPD	DATE
J	REV & REDRAWN PER DCN	11357	SLB	8 75



NOTES:

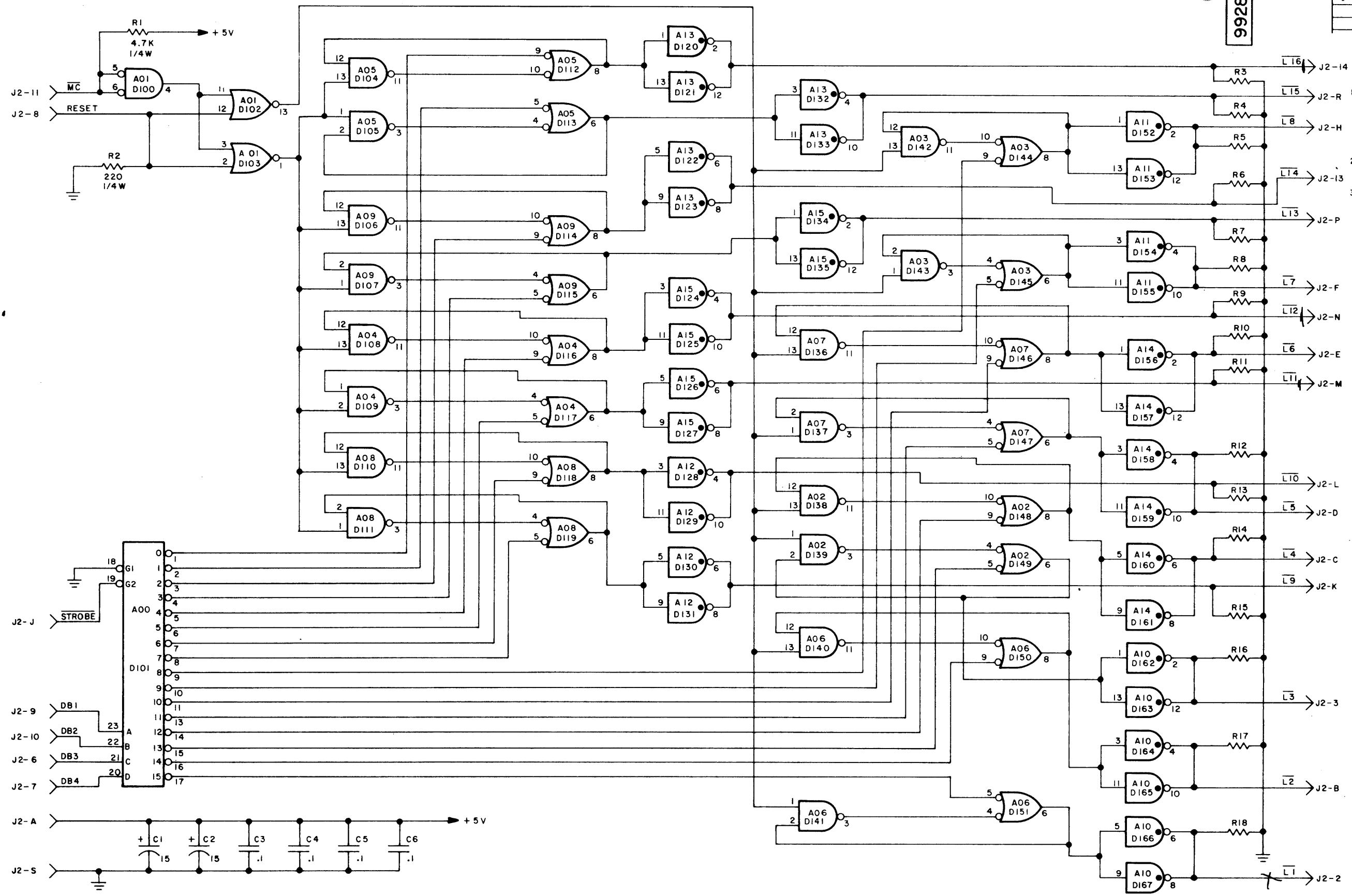
- 1. APPLICABLE REVISION LEVEL TO BE MARKED ON BOARD AT ASSEMBLY.
- 2. UNLESS OTHERWISE SPECIFIED;
 - 1. RESISTORS ARE 680 OHMS, 1/2W, 5%.
 - 2. RESISTANCE VALUES ARE IN OHMS.
 - 3. CAPACITANCE VALUES ARE IN MICROFARADS.

SCHEMATIC	992841
BILL OF MATERIAL	933371
DESCRIPTION	NUMBER
REFERENCE	DOCUMENTS

TITLE		PCB ASSY — DPA LAMP DRIVER	
TEC	TEC, Incorporated	DATE	21 OCT 75
DRAWN	VAN BEEK	DATE	21 OCT 75
ENGINER		DATE	
APPROVED		DATE	
PART NUMBER		D 933371 J	

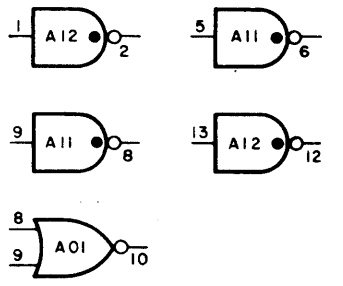
REVISIONS				
REV.	DESCRIPTION	DCN	APPD.	DATE
J	REV 8 REDRAWN PER DCN	11357		11/75

992841



- NOTES:
- UNLESS OTHERWISE SPECIFIED:
1. RESISTORS ARE 680 OHMS, 1/2W, 5%.
2. RESISTANCE VALUES ARE IN OHMS.
3. CAPACITANCE VALUES ARE IN MICROFARADS.
 - LAST REFERENCE DESIGNATIONS USED:
R18, C6, D167
 - REFERENCE DESIGNATIONS NOT USED:

UNUSED ELEMENTS



NAME	PINS	NAME
L1	1	A +5V
L2	2	B L2
L3	3	C L4
L4	4	D L5
L5	5	E L6
L6	6	F L7
L7	7	H L8
L8	8	J STROBE
L9	9	K L9
L10	10	L L10
L11	11	M L11
L12	12	N L12
L13	13	P L13
L14	14	R L15
L15	15	S GND

J2

I.C. TYPE	LOCATION	GND	+5V
7400	A02,03,04,05,06,07,08,09	7	14
7402	A01	7	14
7406	A10,11,12,13,14,15	7	14
74154	A00	12	24

DO NOT SCALE DRAWING
UNLESS OTHERWISE SPECIFIED DIMENSIONS ARE IN INCHES AND TOLERANCES ARE:
FRACTIONS: 1/16, 1/8, 1/4, 3/8, 1/2, 5/8, 3/4, 7/8, 1
DECIMALS: ONE PLACE .10 ±, TWO PLACE .01 ±, THREE PLACE .001 ±
ANGLES: 30°, 45°, 60°, 90°, 120°, 150°, 180°
REMOVE ALL BURRS
BREAK ALL EDGES AND SHARP CORNERS

THESE DRAWINGS, THEIR DESIGN, DETAIL AND INVENTION ARE THE PROPERTY OF TEC, INCORPORATED AND SHALL BE USED ONLY FOR REFERENCE WORK ON CONTRACT OR PROPOSAL SUBMITTED BY THIS COMPANY, AND FOR FIELD REPAIR OF TEC PRODUCTS BY TEC'S CUSTOMER OR END USER, AND SHALL NOT BE COPIED OR DISCLOSED TO ANY OUTSIDE PARTY WITHOUT THE EXPRESSED CONSENT OF TEC, INC.

933371 272350E
NEXT ARMY FIRST USED
FINISH

TEC, Incorporated
DRAWN: VAN BEEK 10 OCT 75
CHECKED: D.G. MAETHALCKE 17 NOV 75
ENGINEER: [Signature]
APPROVED: [Signature]

TITLE: SCHEMATIC-DPA LAMP DRIVER
DRAWING NO.: 992841
REV: J
SCALE: NONE
SHEET 1 OF 1

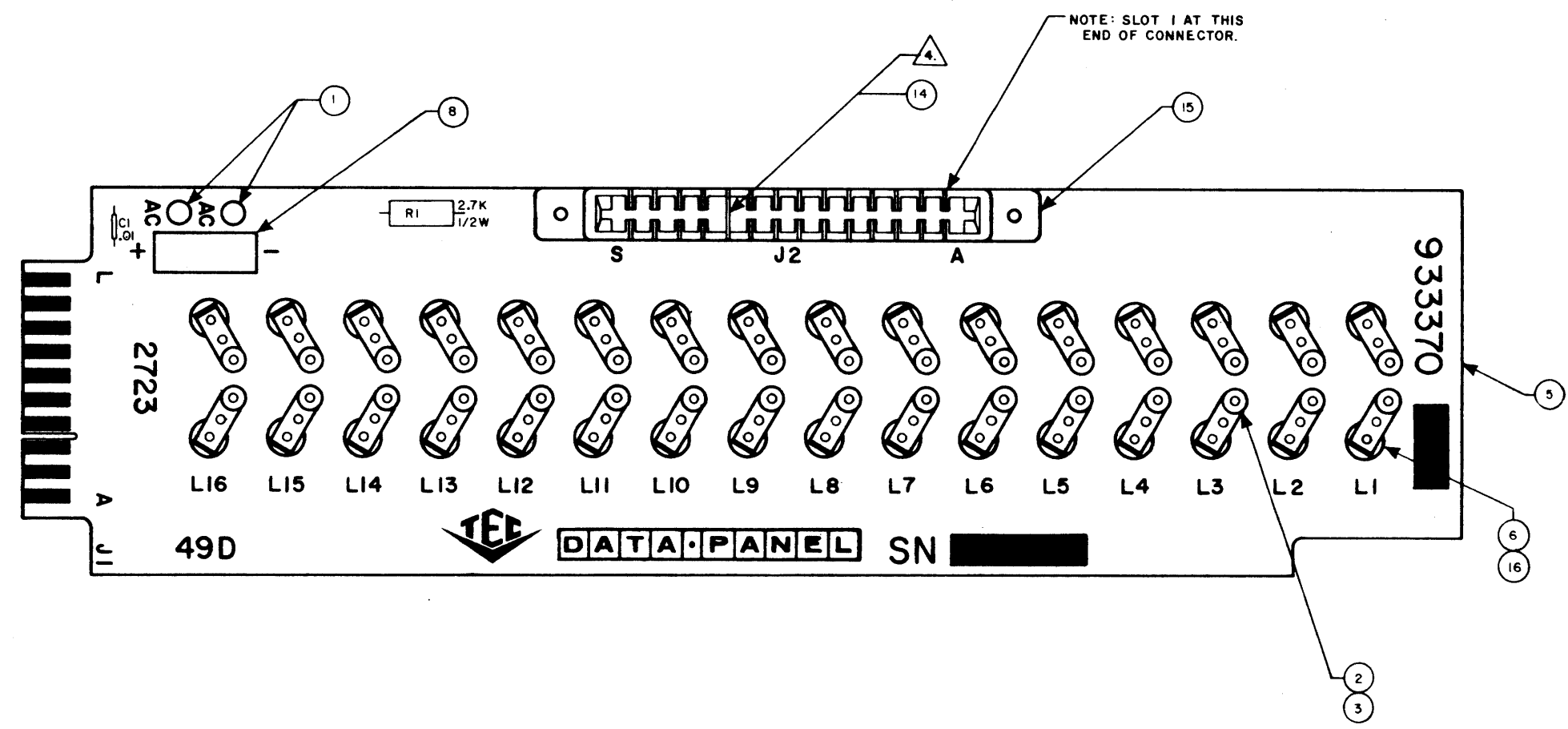
THESE DRAWINGS, THEIR DESIGN, DETAIL AND INVENTION ARE THE PROPERTY OF TEC, INCORPORATED, AND SHALL BE USED ONLY FOR REFERENCE WORK ON CONTRACT OR PROPOSAL SUBMITTED BY THIS COMPANY, AND FOR FIELD REPAIR OF TEC PRODUCTS BY TEC'S CUSTOMER OR END USER, AND SHALL NOT BE COPIED OR DISCLOSED TO ANY OUTSIDE PARTY WITHOUT THE EXPRESSED CONSENT OF TEC, INC.

T-933370

REV	PER	DCN	DATE
H			10/4/5

NOTES:

1. APPLICABLE REVISION LEVEL AND SERIAL NO. TO BE MARKED ON BOARD AT ASSEMBLY.
2. SOLDER COMPONENTS TO CIRCUIT SIDE OF BOARD PER TEC WORKMANSHIP MANUAL.
3. .070 MAX. LEAD PROJECTION ON CIRCUIT SIDE OF BOARD.
4. POLARIZING KEY TO BE PLACED IN SLOT 10 OF CONNECTOR J2.



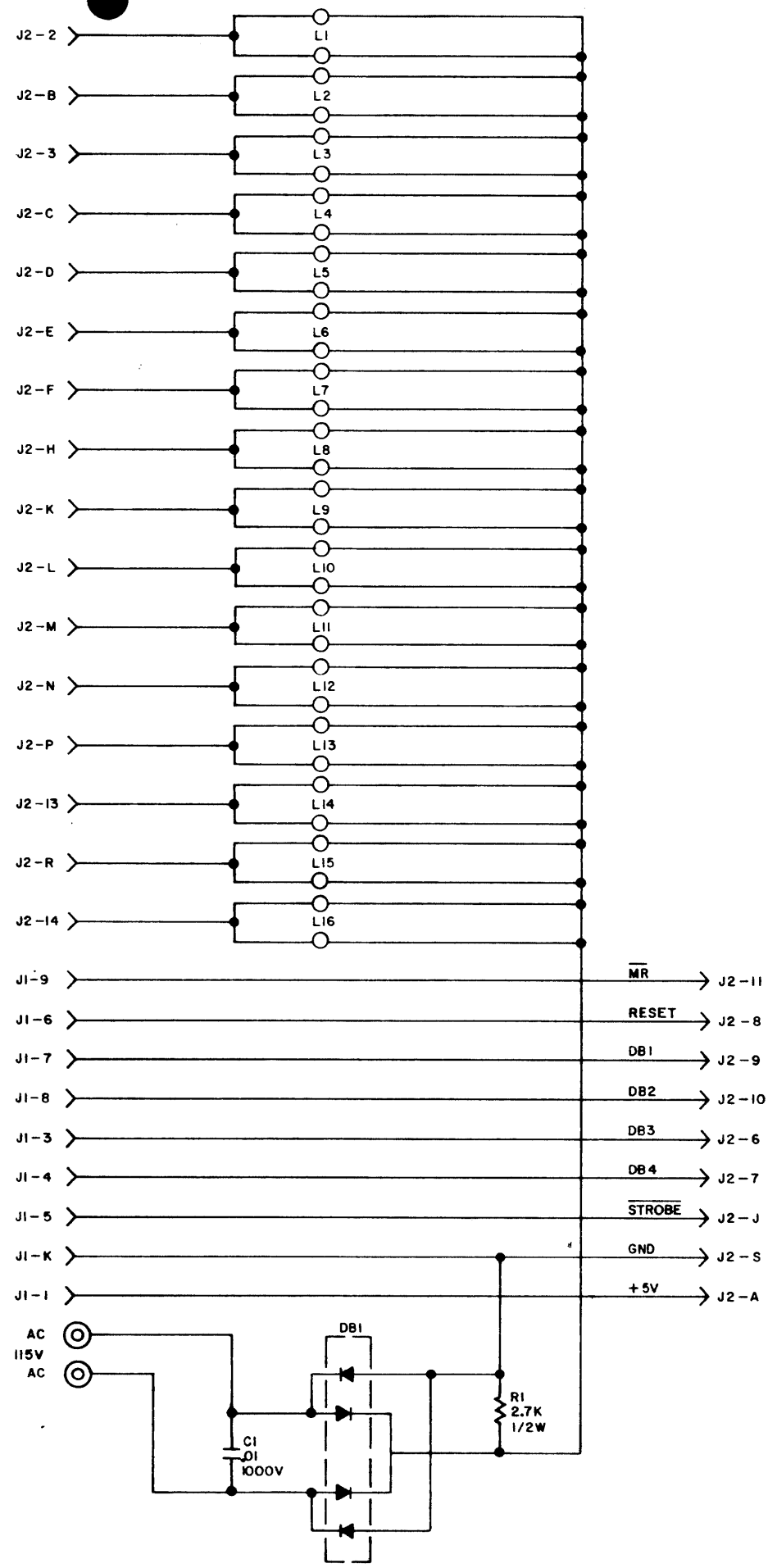
PARTS LIST ISSUED

CRT 400		 TEC, Incorporated	PCB ASSY. - DPA LAMP BOARD	
 TEC, Incorporated	DRAWN: G. BARTON 5/8/73 DESIGNED: J. J. ... CHECKED: ...		DRAWING NO: D T-933370 REV: H	DATE: 2/1

THESE DRAWINGS, THEIR DESIGN, DETAIL AND INVENTION ARE THE PROPERTY OF TEC, INCORPORATED, AND SHALL BE USED ONLY FOR REFERENCE WORK ON CONTRACT OR PROPOSAL SUBMITTED BY THIS COMPANY, AND FOR FIELD REPAIR OF TEC PRODUCTS BY TEC'S CUSTOMER OR END USER, AND SHALL NOT BE COPIED OR DISCLOSED TO ANY OUTSIDE PARTY WITHOUT THE EXPRESSED CONSENT OF TEC, INC.

T-990109

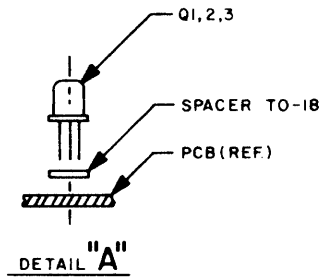
H	RELEASED PER DCN	10445		
---	------------------	-------	--	--



- NOTES**
1. J1 IS EDGEBOARD TERMINALS.
 2. J2 IS DPA LAMP DRIVER CONNECTOR.
 3. UNLESS OTHERWISE SPECIFIED;
 1. LAMPS ARE TYPE 387.
 2. RESISTANCE VALUES ARE IN OHMS.
 3. CAPACITANCE VALUES ARE IN MICROFARADS.

933370		272349D		DO NOT SCALE DRAWING UNLESS OTHERWISE SPECIFIED DIMENSIONS ARE IN INCHES AND TOLERANCES ARE: FRACTIONS DECIMALS ONE PLACE TWO PLACE THREE PLACE ANGLES REMOVE ALL BURRS BREAK ALL EDGES AND SHARP CORNERS	TEC, Incorporated	TITLE		
DRAWN		CHECKED				DRAWING NO		H V T-990109 H
ENGINEER		APPROVED				SCALE		
FINISH								

THESE DRAWINGS, THEIR DESIGN, DETAIL AND INVENTION ARE THE PROPERTY OF TEC, INCORPORATED, AND SHALL BE USED ONLY FOR REFERENCE WORK ON CONTRACT OR PROPOSAL SUBMITTED BY THIS COMPANY, AND FOR FIELD REPAIR OF TEC PRODUCTS BY TEC'S CUSTOMER OR END USER, AND SHALL NOT BE COPIED OR DISCLOSED TO ANY OUTSIDE PARTY WITHOUT THE EXPRESSED CONSENT OF TEC, INC.



NOTES: 1. APPLICABLE DASH NO. & REVISION LEVEL TO BE MARKED ON BOARD AT ASSY.

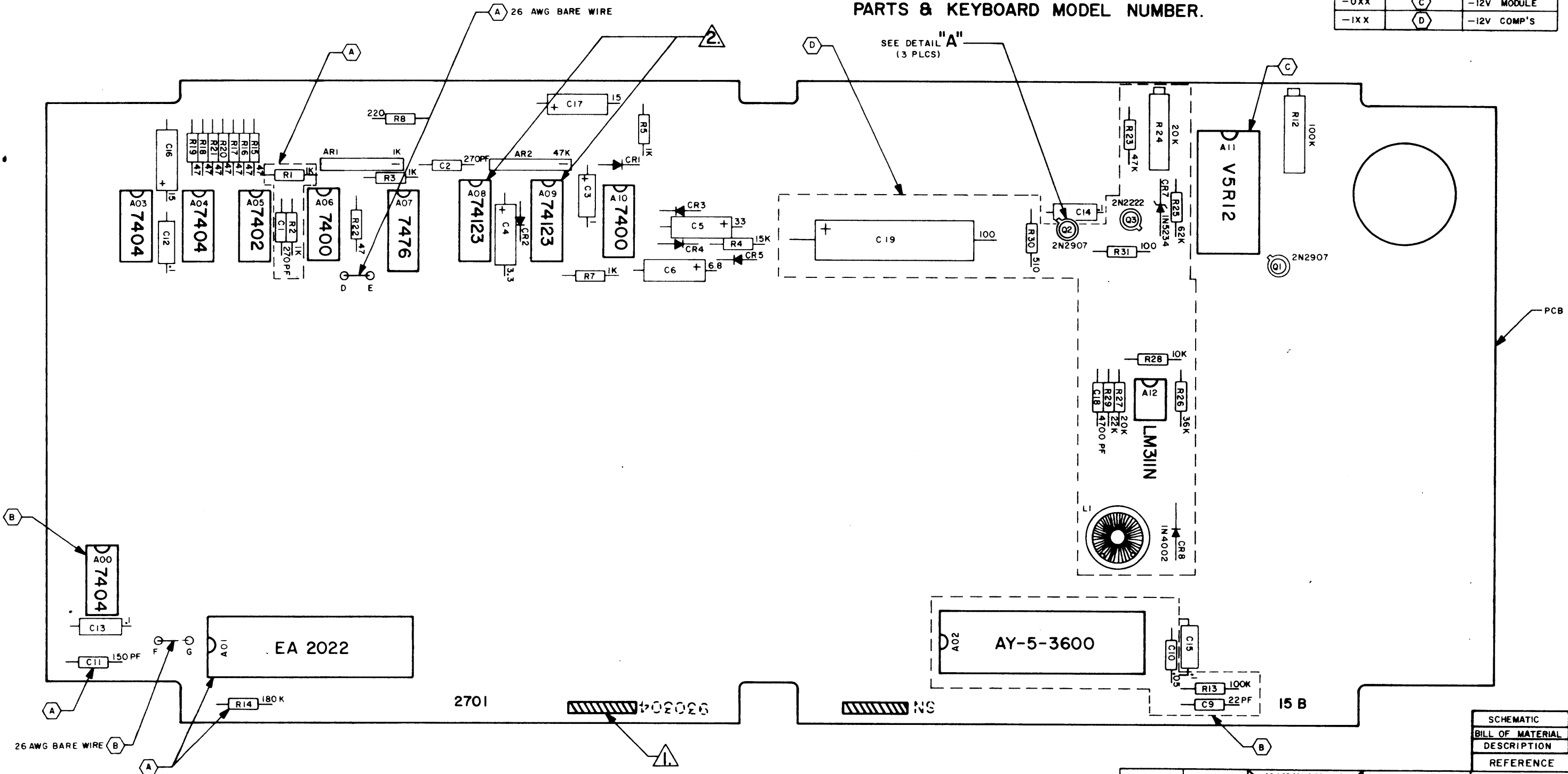
2. USE SIGNETICS 74123 ONLY.

3. UNLESS OTHERWISE SPECIFIED;
 1. RESISTORS ARE 1/4W, 5%.
 2. RESISTANCE VALUES ARE IN OHMS.
 3. CAPACITANCE VALUES ARE IN MICROFARADS.
 4. DIODES ARE IN914.

4. DASH NO. DETERMINED BY THE AVAILABILITY OF PARTS & KEYBOARD MODEL NUMBER.

REVISIONS				
REV	DESCRIPTION	DCN	APPD	DATE
A	RELEASED PER DCN	11050	STC	02 SEP 75
B	REV PER DCN	11251	STC	02 SEP 75
C	REV PER DCN	11515	STC	02 SEP 75
D	REV & REDRAWN PER DCN	11848	STC	22 SEP 75

DASH NO	COMPONENTS LOADED	DESCRIPTION
-XOX	(A)	EA ENCODER
-XIX	(B)	G1 ENCODER
-OXX	(C)	-12V MODULE
-IXX	(D)	-12V COMP'S



SCHEMATIC	990124
BILL OF MATERIAL	930304-XXX
DESCRIPTION	NUMBERS
REFERENCE	DOCUMENTS

TITLE
PCB ASSY - EKA-8000 SERIES

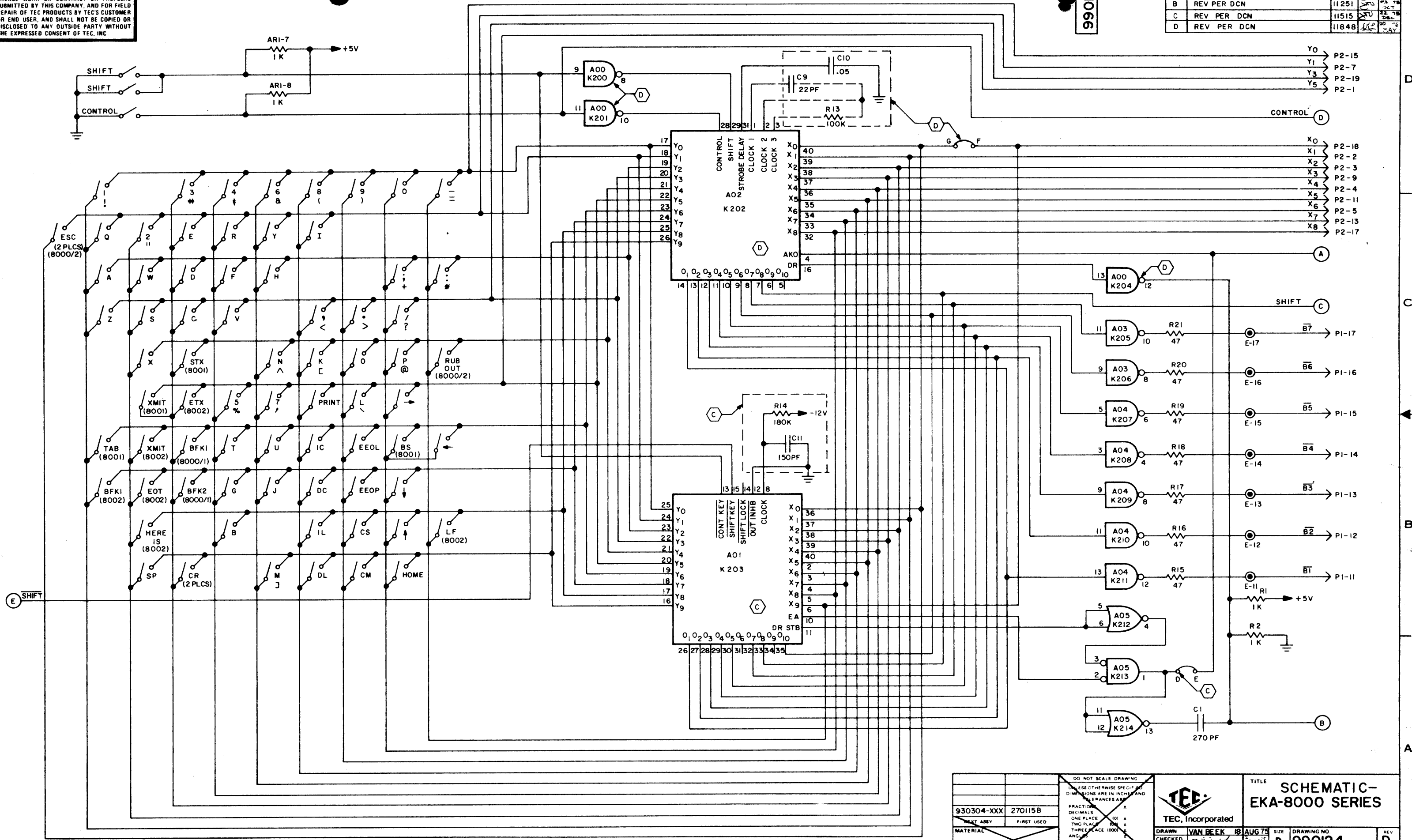
930152	
933163-XXX	
NEXT ASSY	FIRST USED
MATERIAL	
FINISH	

DO NOT SCALE DRAWING UNLESS OTHERWISE SPECIFIED DIMENSIONS ARE IN INCHES AND TOLERANCES ARE:	
FRACTIONS	± .010
DECIMALS	± .005
ONE PLACE	± .010
TWO PLACE	± .005
THREE PLACE	± .001
ANGLES	± .001
REMOVE ALL BURS BREAK ALL EDGES AND SHARP CORNERS	
TEC, Incorporated	
DRAWN	VAN BEEK
CHECKED	M. G. J.
ENGINEER	J. T. VA...
APPROVED	(Signature)
DATE	AUG 75
SIZE	D
DRAWING NO.	930304-XXX
REV	D
SCALE	2/1
SHEET	1 OF 2

THESE DRAWINGS, THEIR DESIGN, DETAIL AND INVENTION ARE THE PROPERTY OF TEC, INCORPORATED, AND SHALL BE USED ONLY FOR REFERENCE WORK ON CONTRACT OR PROPOSAL SUBMITTED BY THIS COMPANY, AND FOR FIELD REPAIR OF TEC PRODUCTS BY TEC'S CUSTOMER OR END USER, AND SHALL NOT BE COPIED OR DISCLOSED TO ANY OUTSIDE PARTY WITHOUT THE EXPRESSED CONSENT OF TEC, INC.

990124

REVISIONS				
REV.	DESCRIPTION	DCN	APPD.	DATE
A	RELEASED PER DCN	11050		
B	REV PER DCN	11251		
C	REV PER DCN	11515		
D	REV PER DCN	11848		



930304-XXX 270115B		<p>DO NOT SCALE DRAWING UNLESS OTHERWISE SPECIFIED DIMENSIONS ARE IN INCHES AND TOLERANCES ARE:</p> <p>FRACTIONS: .001 ±</p> <p>DECIMALS: ONE PLACE (0) ±</p> <p>TWO PLACE (00) ±</p> <p>THREE PLACE (000) ±</p> <p>ANGLES: ±</p> <p>REMOVE ALL BURRS BREAK ALL EDGES AND SHARP CORNERS</p>	<p>TEC, Incorporated</p> <p>TEC, Incorporated</p>		<p>TITLE SCHEMATIC-EKA-8000 SERIES</p>	
MATERIAL	FINISH		<p>DRAWN VAN BEEK 18 AUG 75</p> <p>CHECKED J. VALUKAS</p> <p>ENGINEER</p> <p>APPROVED</p>	<p>SIZE D</p> <p>DRAWING NO. 990124</p> <p>SCALE NONE</p>	<p>REV D</p> <p>SHEET 2 OF 2</p>	

990124

REVISIONS				
REV	DESCRIPTION	DCN	APPRO	DATE
A	RELEASED PER DCN	11050		DEC 75
B	REV PER DCN	11251		DEC 75
C	REV PER DCN	11515		DEC 75
D	REV PER DCN	11848		MAY 76

- NOTES:
- UNLESS OTHERWISE SPECIFIED;
 - RESISTORS ARE 1/4 W, 5%
 - RESISTANCE VALUES ARE IN OHMS.
 - CAPACITANCE VALUES ARE IN MICROFARADS.
 - DIODES ARE IN914.
 - LAST REFERENCE DESIGNATIONS USED: C19, R31, AR2, Q3, CR8, L1, K117, K214.
 - REFERENCE DESIGNATIONS NOT USED:
 - P2 USED ON EKA-8003, EKA-8004, EKA-8005 ONLY.
 - AT A08, 09 USE SIGNETICS ONLY.

ASSY DASH NO	COMPONENTS LOADED	DESCRIPTION
-XXO		EKA 8000/4
-XX1	(A) (B)	EKA8001/5
-XX2	(B)	EKA8002/3
-XOX	(C)	EA ENCODER
-XIX	(D)	G1 ENCODER
-OXX	(E)	-12V MODULE
-IXX	(F)	-12V COMP'S

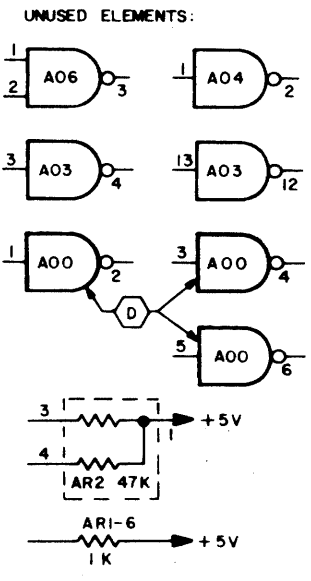
PG	NAME	PINS	NAME	PG
2	Y5	1 2	X1	2
2	X2	3 4	X4	2
2	X6	5 6		
2	Y1	7 8		
2	X3	9 10		
2	X5	11 12		
2	X7	13 14		
2	Y0	15 16		
2	X8	17 18	X0	2
2	Y3	19 20		

P2

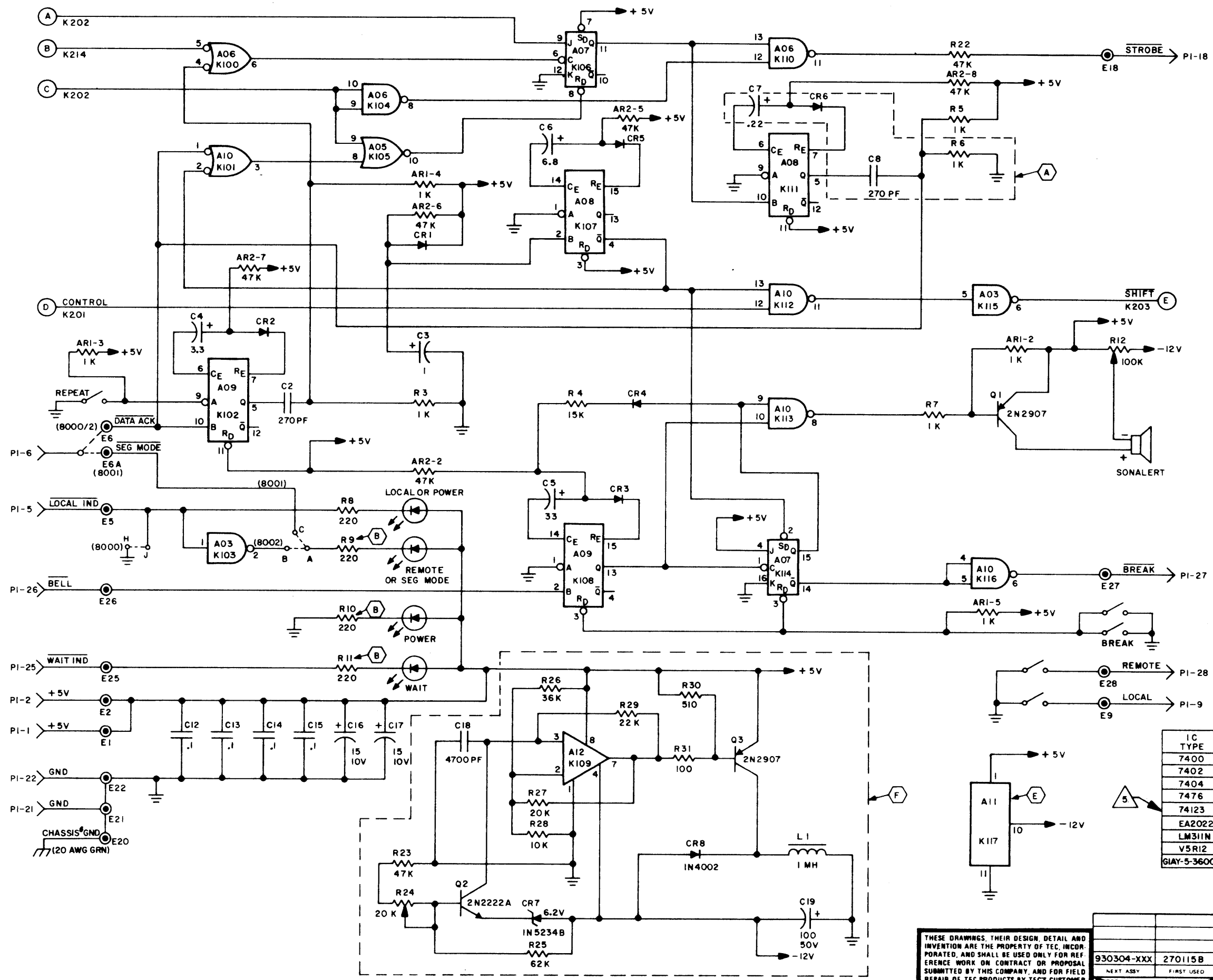
PG	NAME	PINS	NAME	PG
1	+5V	1 2	+5V	1
1	LOCAL IND	3 4	DATA ACK/SEG M	1
		7 8		
1	LOCAL SW	9 10		
2	B1	11 12	B2	2
2	B3	13 14	B4	2
2	B5	15 16	B6	2
2	B7	17 18	STROBE	1
		19 20		
1	GND	21 22	GND	1
		23 24		
1	WAIT IND	25 26	BELL	1
1	BREAK	27 28	REMOTE SW	1
		29 30		
		31 32		
		33 34		
		35 36		
		37		

P1

PG	NAME	PINS	NAME	PG
1	+5V	7	14	
1	LOCAL IND	7	14	
1	LOCAL SW	7	14	
2	B1	7	14	
2	B3	7	14	
2	B5	7	14	
2	B7	7	14	
1	GND	8	16	
1	WAIT IND	9	1 7	
1	BREAK	11	8	
		11	10	



IC TYPE	LOCATION	GND	+5V	-12V
7400	A06, 10	7	14	
7402	A05	7	14	
7404	A00, 03, 04	7	14	
7476	A07	13	5	
74123	A08, 09	8	16	
EA2022	A01	9	1 7	
LM311N	A12	1	8	
V5R12	A11	11	1 10	
GIAY-5-3600	A02	15	30 27	



THESE DRAWINGS, THEIR DESIGN, DETAIL AND INVENTION ARE THE PROPERTY OF TEC, INCORPORATED, AND SHALL BE USED ONLY FOR REFERENCE WORK ON CONTRACT OR PROPOSAL SUBMITTED BY THIS COMPANY, AND FOR FIELD REPAIR OF TEC PRODUCTS BY TEC'S CUSTOMER OR END USER, AND SHALL NOT BE COPIED OR DISCLOSED TO ANY OUTSIDE PARTY WITHOUT THE EXPRESSED CONSENT OF TEC, INC.

930304-XXX	270115B
NEXT ASSY	FIRST USED
MATERIAL	
FINISH	

TEC, Incorporated

TITLE: SCHEMATIC-EKA-8000 SERIES

DRAWN: VAN BEEK 18 AUG 75

CHECKED: [Signature]

ENGINEER: [Signature]

APPROVED: [Signature]

DRAWING NO: 990124

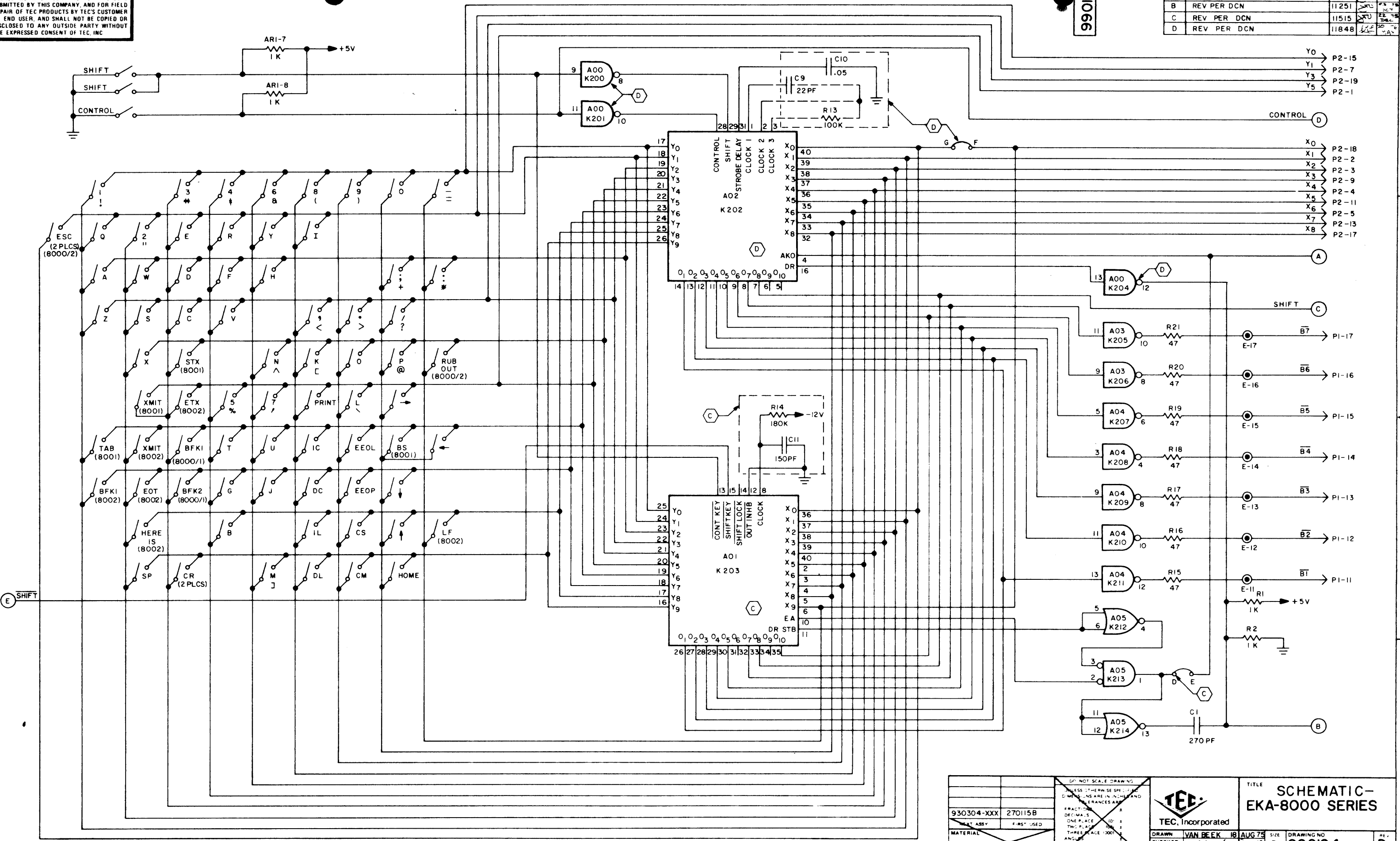
SCALE: NONE

SHEET 1 OF 2

THESE DRAWINGS, THEIR DESIGN DETAIL AND INVENTION ARE THE PROPERTY OF TEC, INCORPORATED, AND SHALL BE USED ONLY FOR REFERENCE WORK ON CONTRACT OR PROPOSAL SUBMITTED BY THIS COMPANY, AND FOR FIELD REPAIR OF TEC PRODUCTS BY TEC'S CUSTOMER OR END USER, AND SHALL NOT BE COPIED OR DISCLOSED TO ANY OUTSIDE PARTY WITHOUT THE EXPRESSED CONSENT OF TEC, INC.

REVISIONS			
REV	DESCRIPTION	DCN	DATE
A	RELEASED PER DCN	11050	10/25/75
B	REV PER DCN	11251	11/23/75
C	REV PER DCN	11515	12/22/75
D	REV PER DCN	11848	1/20/76

990124

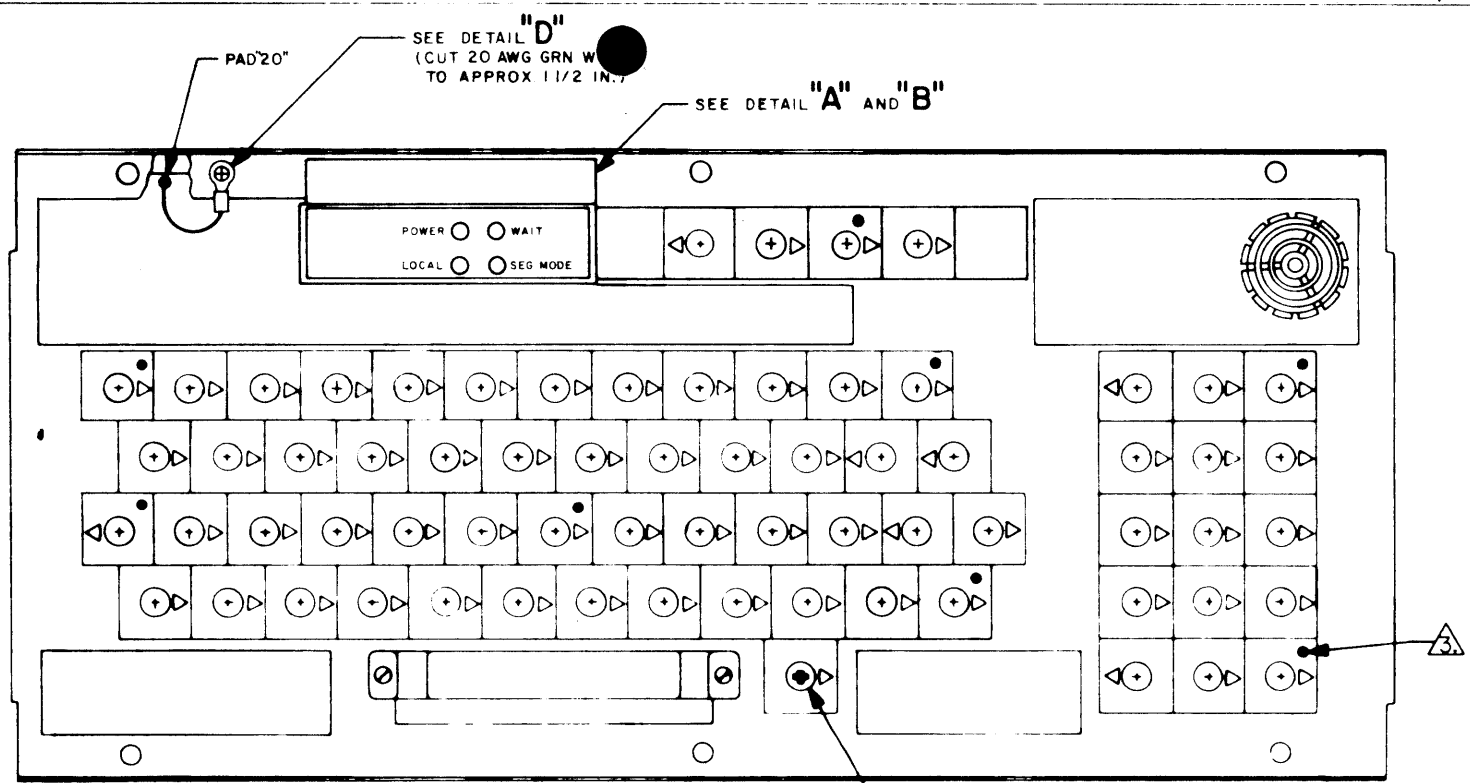


930304-XXX 270115B		DO NOT SCALE DRAWING UNLESS OTHERWISE SPECIFIED. DIMENSIONS ARE IN INCHES AND TOLERANCES ARE FRACTIONAL DECIMALS ONE PLACE 10:1 TWO PLACE 100:1 THREE PLACE 1000:1 ANGLES REMOVE ALL BURRS BREAK ALL EDGES AND SHARP CORNERS		 TEC, Incorporated		TITLE SCHEMATIC- EKA-8000 SERIES	
MATERIAL		DRAWN VAN BEEK 18 AUG 75		SIZE D		DRAWING NO. 990124	
FINISH		CHECKED		SCALE NONE		SHEET 2 OF 2	
		ENGINEER				REV. D	
		APPROVED					

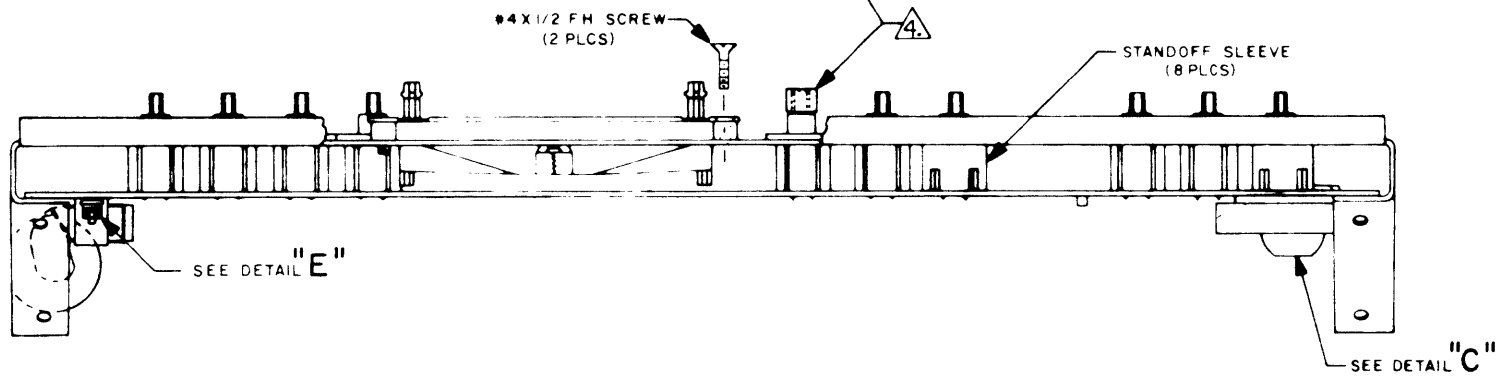
THESE DRAWINGS, THEIR DESIGN, DETAIL AND INVENTION ARE THE PROPERTY OF TEC INCORPORATED, AND SHALL BE USED ONLY FOR THE SERVICE WORK ON CONTRACT OR PROJECT SUBMITTED BY THIS COMPANY, AND FOR FIELD REPAIR OF TEC PRODUCTS BY TEC'S CUSTOMER OR END USER, AND SHALL NOT BE COPIED OR DISCLOSED TO ANY OUTSIDE PARTY WITHOUT THE EXPRESSED CONSENT OF TEC, INC.

933163-002

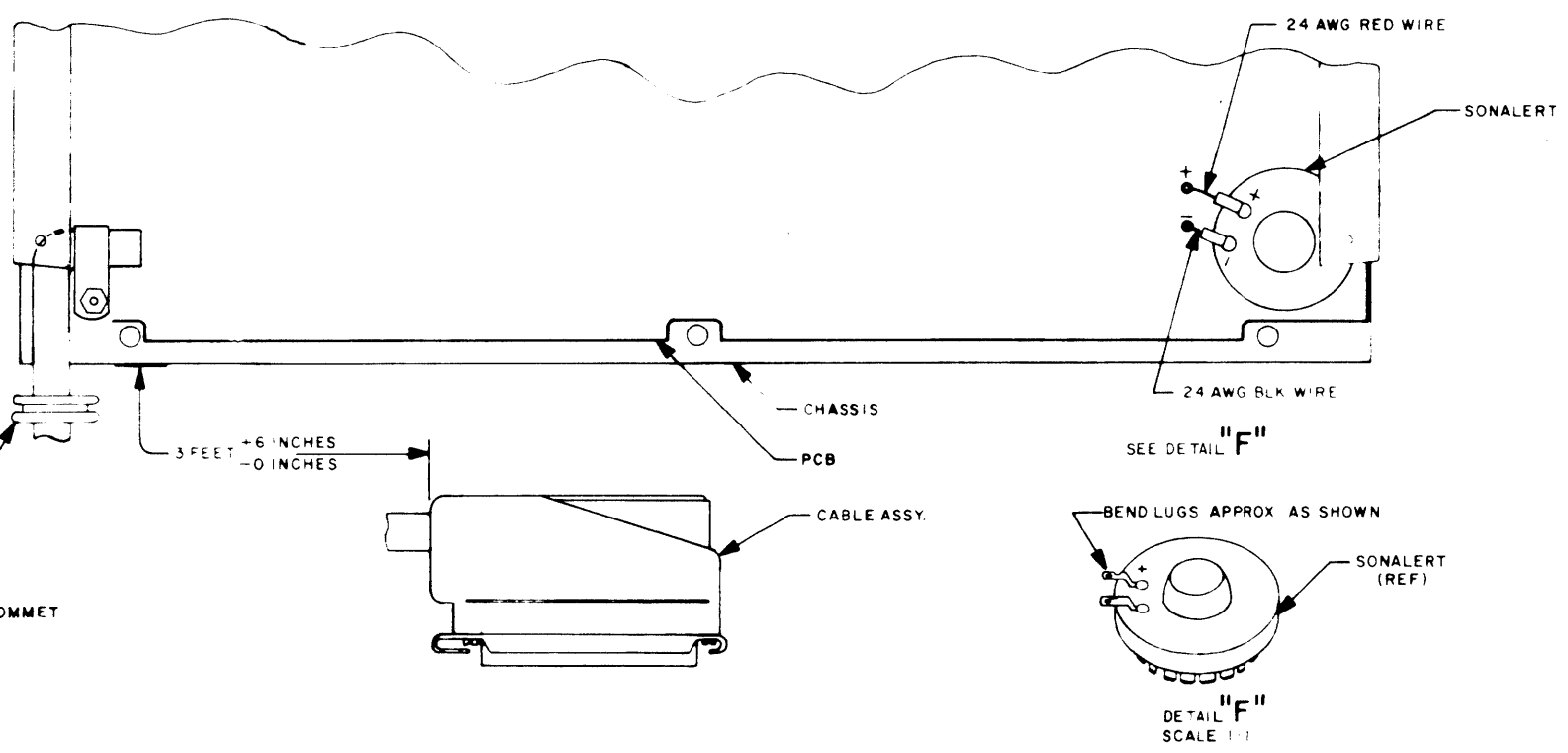
REV'S DWS				
REV	DESCRIPTION	DCN	APPD	DATE
L	REV PER DCN	11251	DCN	08 75
M	REV PER DCN	11462	DCN	07 75
N	REV PER DCN	12724	DCN	07 75



- NOTES:
1. ALL SWITCHES MOUNT ON COMPONENT SIDE OF P.C.B.
 2. POSITION SWITCHES BY LOCATION OF TRIANGLE (▷) ON TOP OF SWITCH AS SHOWN.
 3. DOT INDICATES SWITCHES THAT HAVE STANDOFF SLEEVE.
 4. MOUNT PLUNGER TOP FLAT SIDE UP.
 5. REFER TO DWG. EKA-8001 FOR KEYPAD PLACEMENT.



CABLE WIRING		
PRINTED CIRCUIT BOARD		
SIGNAL	PAD	COLOR
+5V	2	BLK
+5V	1	BRN
REM SW	28	RED
LOCAL SW	9	ORN
WAIT IND	25	YEL
SEG MODE	6A	GRN
BELL	26	BLU
LOCAL IND	5	VIO
STROBE	18	GRY
B7	17	WHT
B6	16	WHT/BLK
B3	13	WHT/BRN
B2	12	WHT/RED
B1	11	WHT/ORN
B4	14	WHT/YEL
B5	15	WHT/GRN
GND	22	WHT/BLU
GND	21	WHT/VIO



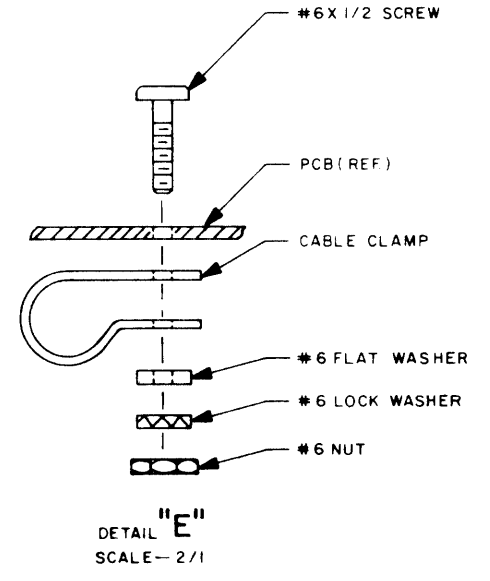
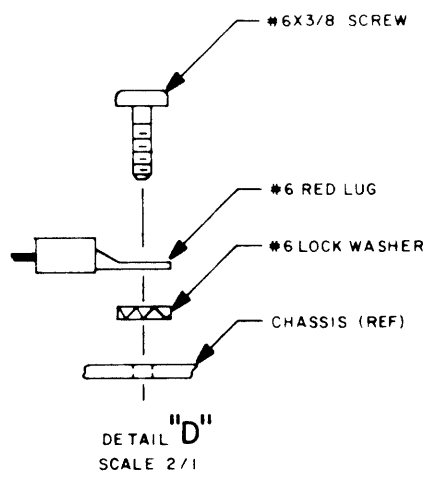
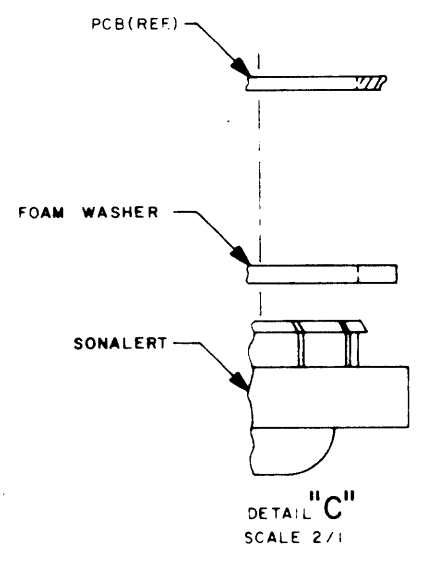
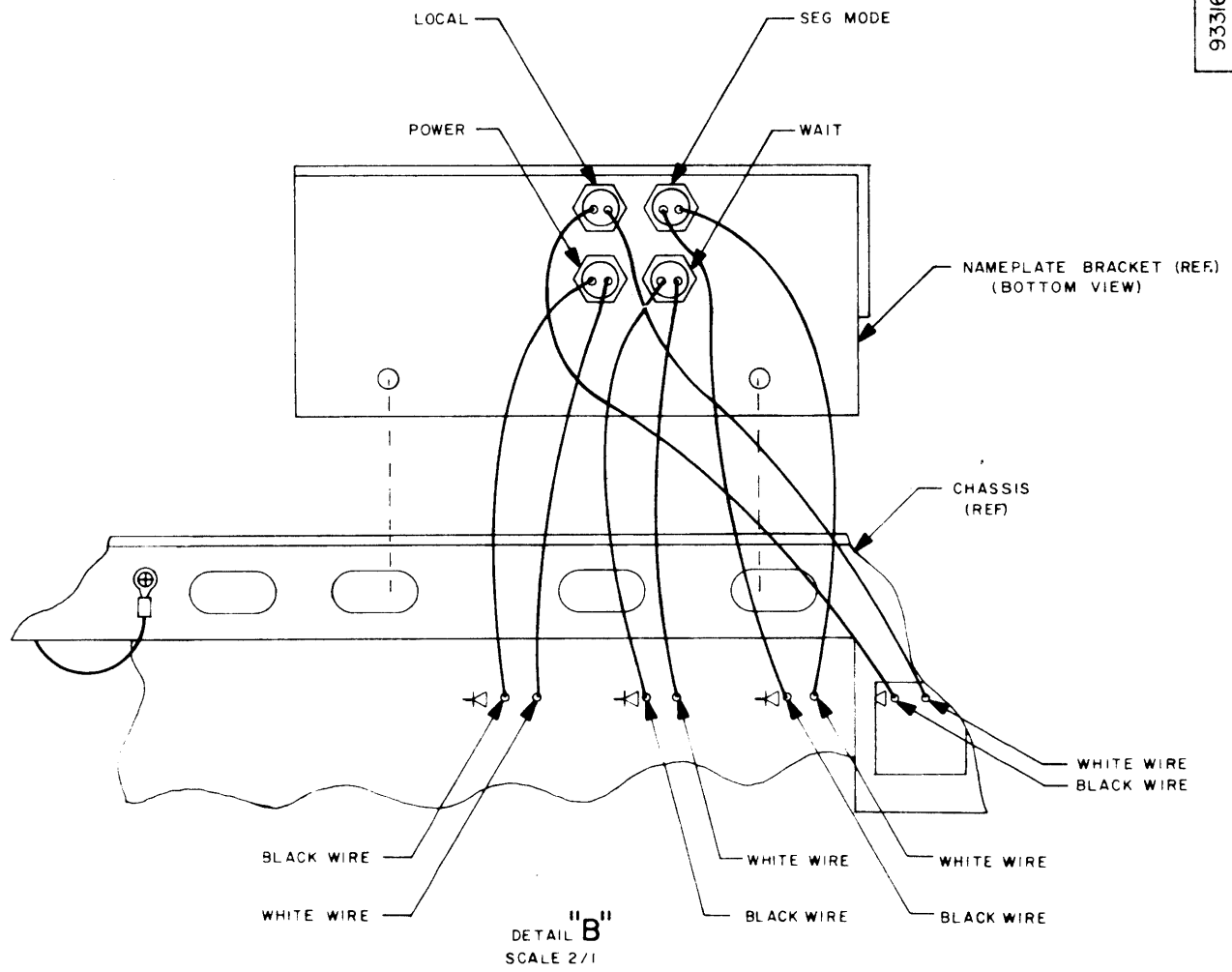
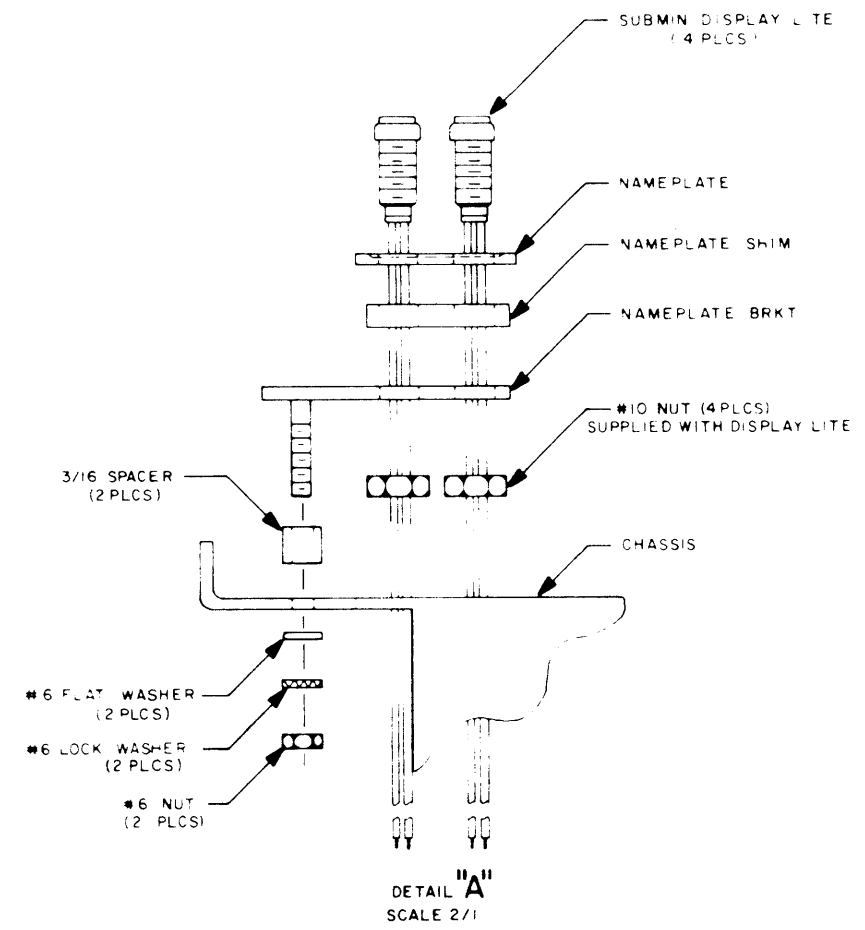
EKA-8001	41X, 42X
EKA-8005	
MATERIAL	
FINISH	



BILL OF MATERIAL	933163-002
DESCRIPTION	NUMBERS
REFERENCE DOCUMENTS	
TITLE	CHASSIS ASSY.- EKA-8001/5 (PARALLEL)
DESIGNER	VAN BEEK 26 FEB 75
ENGINEER	ALDEAS
SCALE	FULL
SHEET	1 OF 2

933163-002

REVISIONS				
REV	DESCRIPTION	DCN	APPD	DATE
N	REV PER DCN	12724	W.F.	JUN 77



THESE DRAWINGS, THEIR DESIGN DETAIL AND INVENTION ARE THE PROPERTY OF TEC, INCORPORATED, AND SHALL BE USED ONLY FOR REFERENCE WORK ON CONTRACT OR PROPOSAL SUBMITTED BY THIS COMPANY AND FOR FIELD REPAIR OF TEC PRODUCTS BY TEC'S CUSTOMER OR END USER, AND SHALL NOT BE COPIED OR DISCLOSED TO ANY OUTSIDE PARTY WITHOUT THE EXPRESSED CONSENT OF TEC, INC.

EKA-8001	DO NOT SCALE DRAWING
EKA-8005 41X, 42X	END USER'S USE ONLY
MATERIAL:	FOR REPAIR USE ONLY
FINISH:	FOR REPAIR USE ONLY

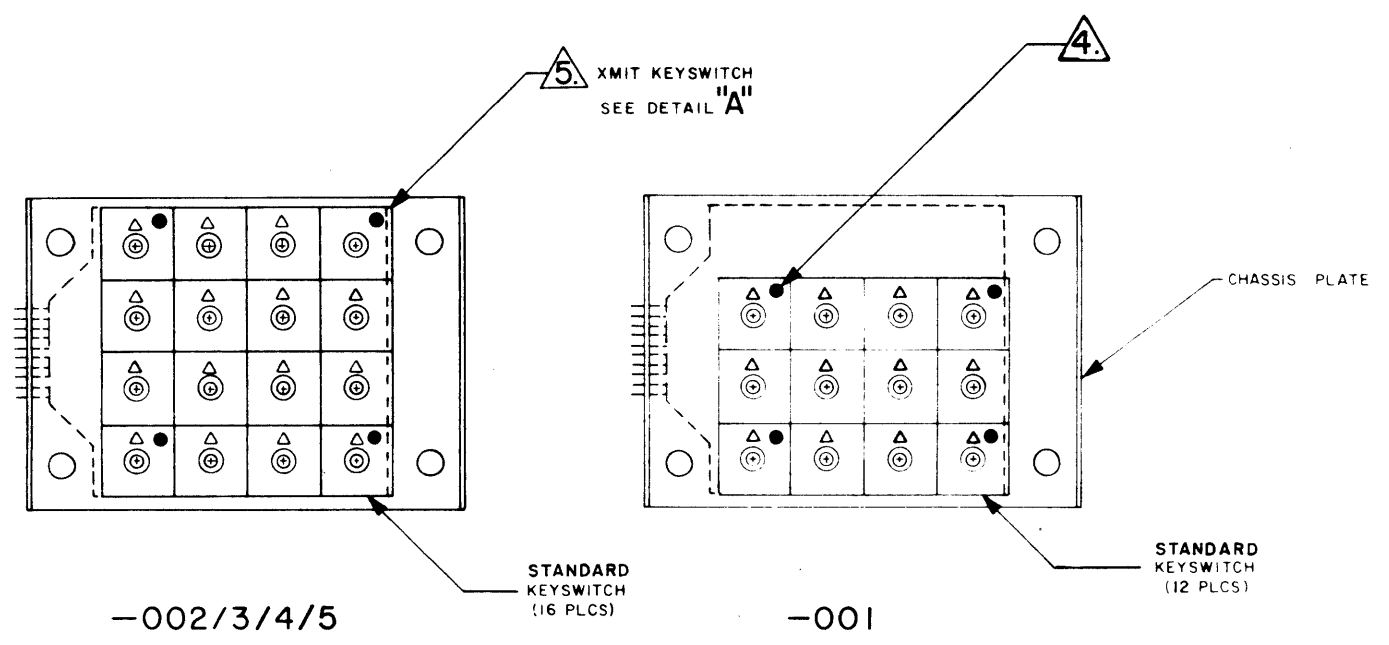


TITLE		CHASSIS ASSY- EKA-8001/5	
DATE	SIZE	DRAWING NO	REV
VAN BEEK 27 FEB 75	B	933163-002	N
SCALE	NONE	SHEET 2 OF 2	

THESE DRAWINGS, THEIR DESIGN, DETAIL AND INVENTION ARE THE PROPERTY OF TEC, INCORPORATED, AND SHALL BE USED ONLY FOR REFERENCE WORK ON CONTRACT OR PROPOSAL SUBMITTED BY THIS COMPANY, AND FOR FIELD REPAIR OF TEC PRODUCTS BY TEC'S CUSTOMER OR END USER, AND SHALL NOT BE COPIED OR DISCLOSED TO ANY OUTSIDE PARTY WITHOUT THE EXPRESSED CONSENT OF TEC, INC.

930285-XXX

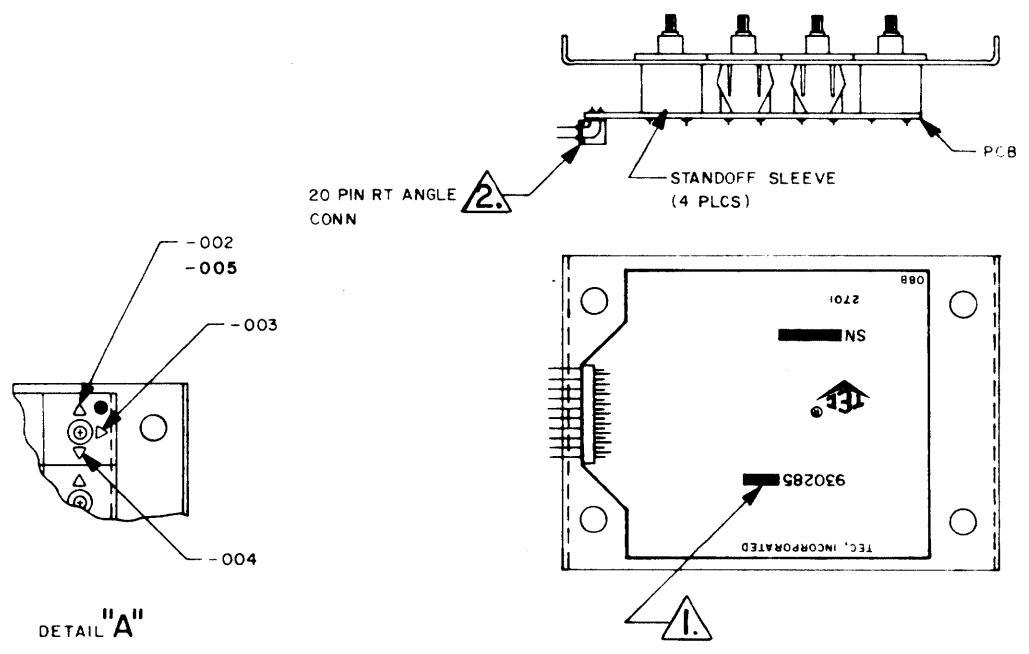
REVISIONS				
REV	DESCRIPTION	QTY	APPR	DATE
E	REV PER DCN	12000		
F	REV PER DCN	12682		



NOTES

- 1. APPLICABLE DASH NO. & REVISION LEVEL TO BE MARKED ON BOARD AT ASSEMBLY.
- 2. SOLDER CONNECTOR TO PCB BEFORE ASSEMBLY OF SWITCHES AND CHASSIS PLATE.
- 3. POSITION SWITCHES BY LOCATION OF TRIANGLE (Δ) ON TOP OF SWITCH AS SHOWN.
- 4. DOT INDICATES SWITCHES THAT HAVE STANDOFF SLEEVE.
- 5. REFER TO APPLICABLE EKA DWG. FOR KEYTOP PLACEMENT.
- 6. DASH NO. DETERMINED BY XMIT KEYSWITCH POSITION & KEYBOARD USAGE. SEE CHART BELOW.

DASH NO.	USE ON
-001	EKA-8441
-002	EKA-8850/60
-003	EKA-8003
-004	EKA-8004/5
-005	EKA-8450/60



SCHEMATIC	990118
BILL OF MATERIAL	930285-XXX
DESCRIPTION	NUMBER
REFERENCE DOCUMENTS	

TITLE		CHASSIS ASSY.- (11/15 KEY PAD)	
TEC, Incorporated		DRAWING NO. B 930285-XXX F	
SCALE	FULL	SHEET	1 OF 1

4

3

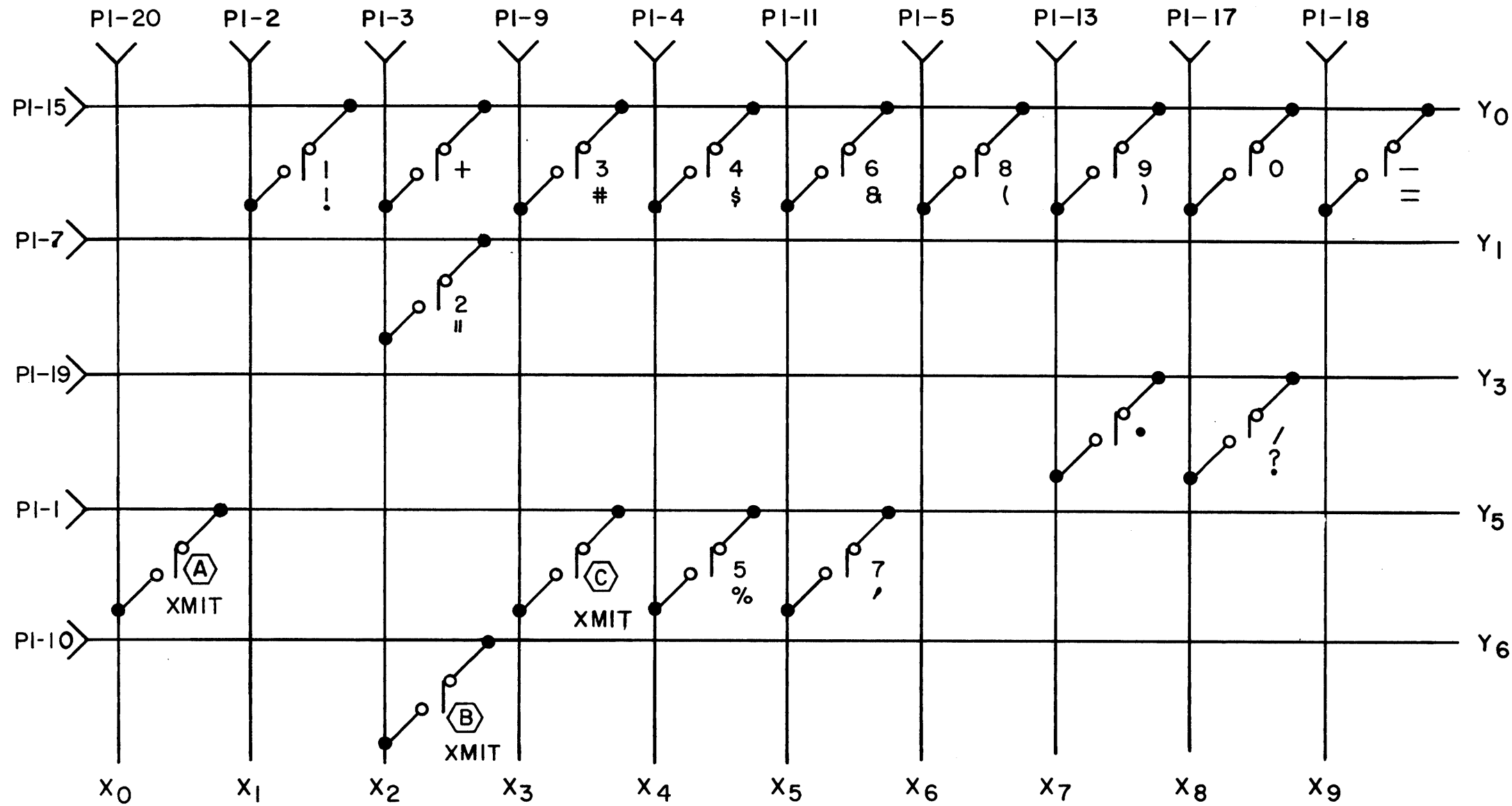
2

1

THESE DRAWINGS, THEIR DESIGN, DETAIL AND INVENTION ARE THE PROPERTY OF TEC, INCORPORATED, AND SHALL BE USED ONLY FOR REFERENCE WORK ON CONTRACT OR PROPOSAL SUBMITTED BY THIS COMPANY, AND FOR FIELD REPAIR OF TEC PRODUCTS BY TEC'S CUSTOMER OR END USER, AND SHALL NOT BE COPIED OR DISCLOSED TO ANY OUTSIDE PARTY WITHOUT THE EXPRESSED CONSENT OF TEC, INC.

990118

REVISIONS				
REV	DESCRIPTION	DCN	APPD	DATE
C	RELEASED PER DCN	11048	<i>JV</i>	18 AUG 75
D	REV PER DCN	11257	<i>JV</i>	02 OCT 75
E	REV PER DCN	12000	<i>JV</i>	16 AUG 76
F	REV PER DCN	12682	<i>JV</i>	29 APR 77

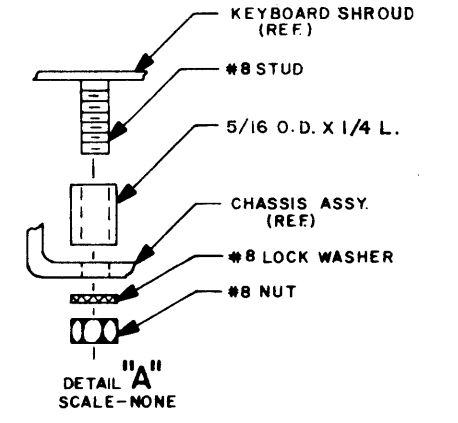
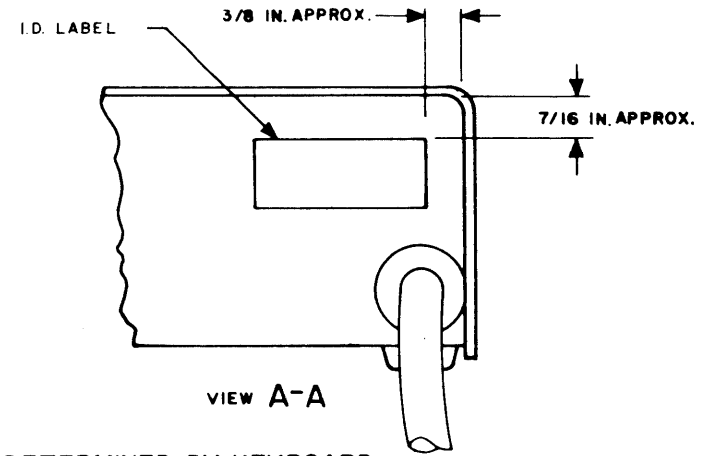
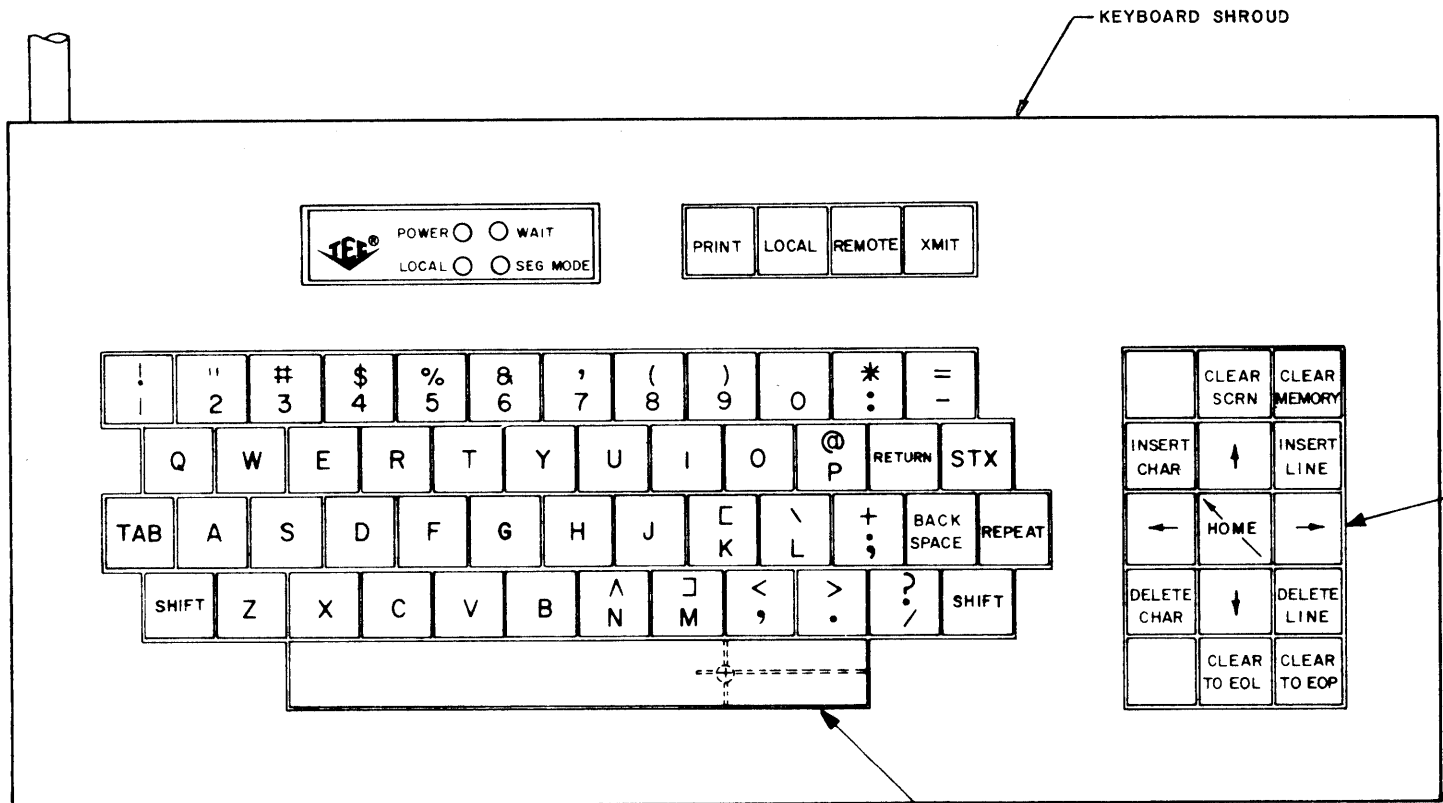


- I. ASSY. DASH NO. ASSIGNED AS FOLLOWS:
 - 001 EKA-8441 (+, -, /, AND XMIT KEYS NOT LOADED).
 (A) - 002 & 005 EKA-8850/60, 8450/60
 (B) - 003 EKA-8003
 (C) - 004 EKA-8004/5

930285-XXX 270108B		 TEC, Incorporated	TITLE SCHEMATIC - 11/15 KEY PAD		
MATERIAL			DRAWN VAN BEEK 11 AUG 75	DRAWING NO. B 990118	F
FINISH			CHECKED <i>M. J. White</i> 18 AUG 75	ENGINEER J.T. VALUKAS 18 AUG 75	
		APPROVED <i>JV</i> 18 AUG 75	NONE		

REVISIONS				
REV	DESCRIPTION	DCN	APPD.	DATE
F	REV PER DCN	11462		7-55
H	REV PER DCN	11878		11-55
J	REV PER DCN	12720		11-57

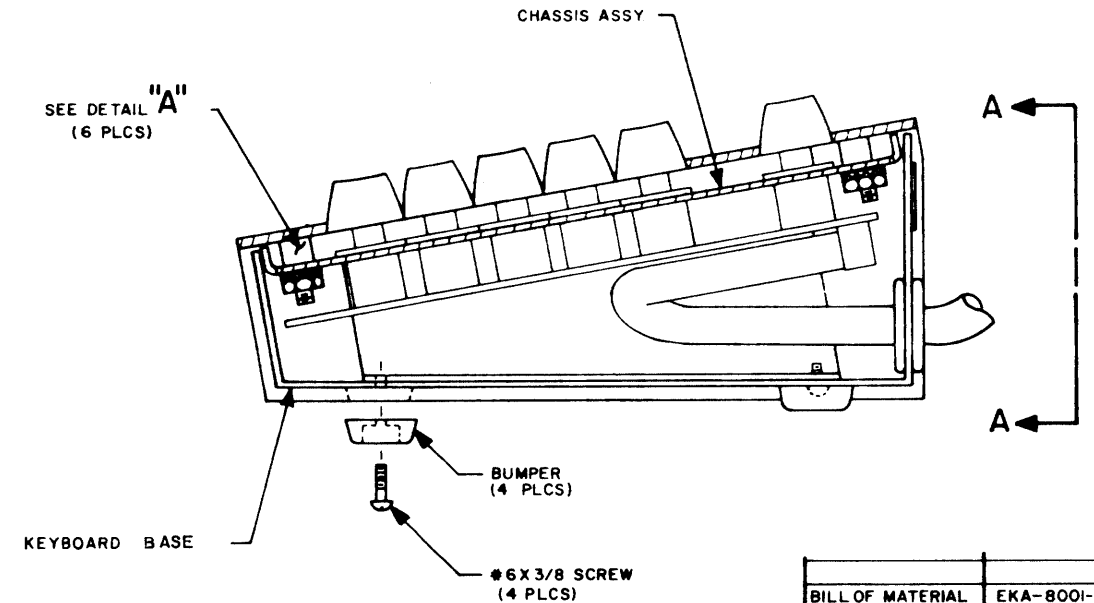
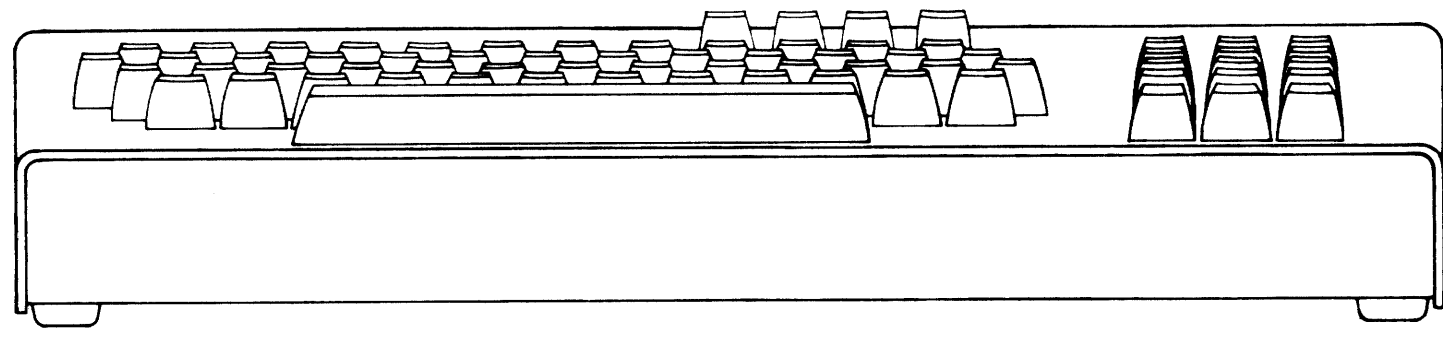
EKA-8001-XXX



NOTE:

- DASH NO. DETERMINED BY KEYBOARD TOP COLOR. (111797-XXX)
- OVERALL DIMENSIONS (APPROX.):
 DEPTH 7 1/8 INCHES
 WIDTH 14 3/4 INCHES
 HEIGHT 2 3/4 INCHES

MOUNT SPACE BAR KEYTOP WITH RIB (UNDER SHELL) AS SHOWN.

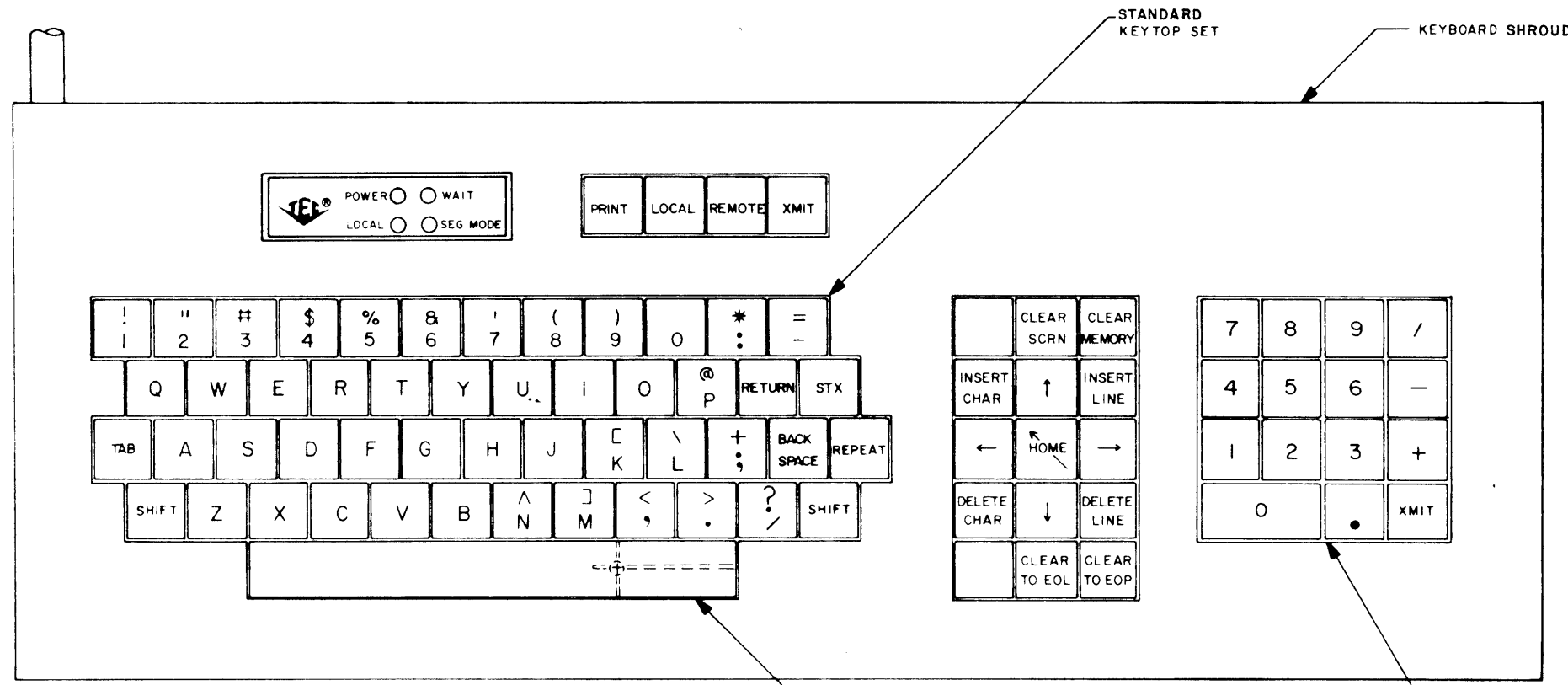


THIS DOCUMENT CONTAINS PROPRIETARY INFORMATION OF TEC INC., AND IS TO BE RETAINED IN CONFIDENCE. NOT BE REPRODUCED OR COPIED AND NOT BE USED OR INCORPORATED IN ANY PRODUCT, WITHOUT THE WRITTEN APPROVAL OF TEC INCORPORATED.

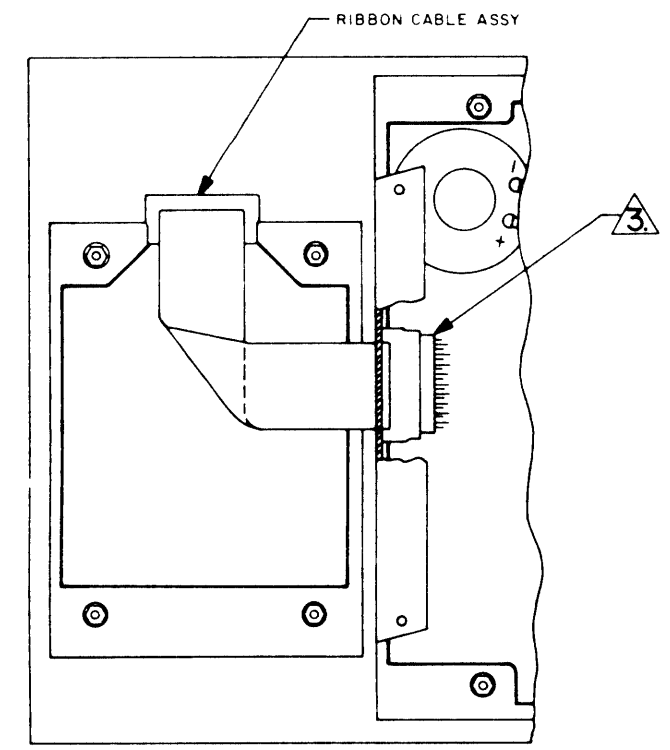
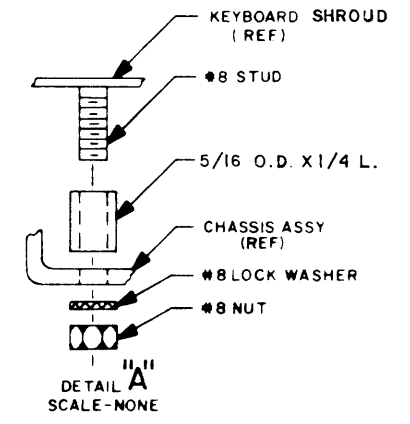
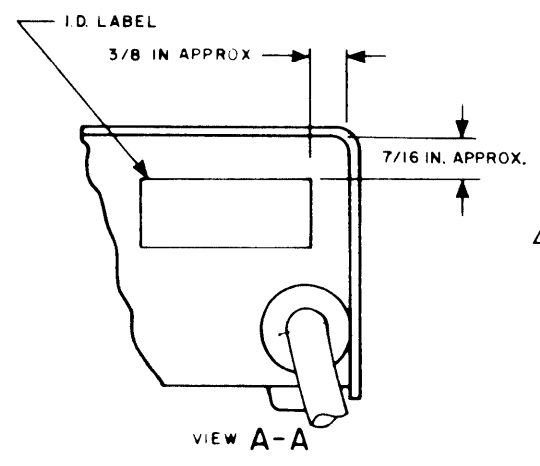
41X, 42X	TEC, Incorporated	TITLE	ASSEMBLY, FINAL- EKA-8001
TEC, Incorporated	DRAWN R. WOOD	SIZE	D
41X, 42X	CHECKED	DRAWING NO.	EKA-8001-XXX
TEC, Incorporated	ENGINEER	SCALE	FULL
TEC, Incorporated	APPROVED	SHEET	1 OF 1

EKA-8005-XXX

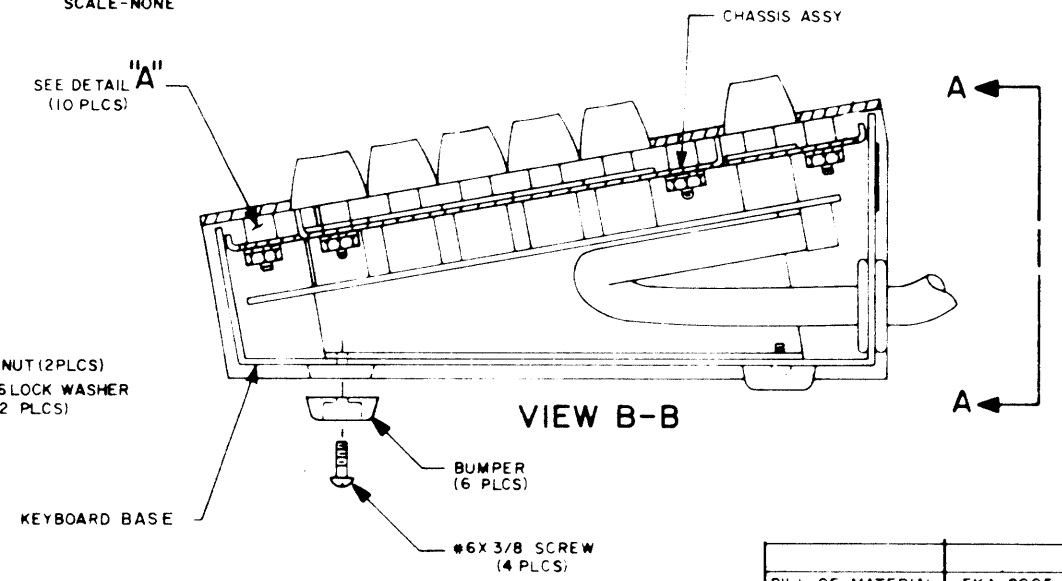
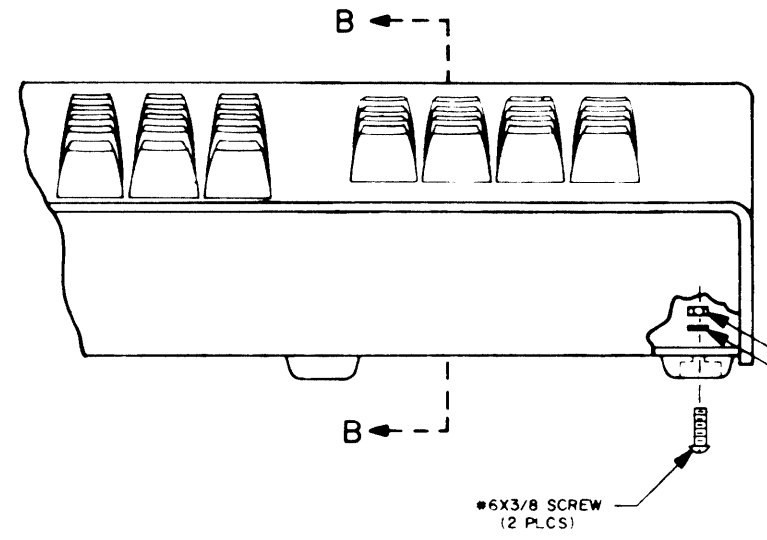
REVISIONS				
REV	DESCRIPTION	DCN	APPD	DATE
E	REV PER DCN	11257		02-5
F	REV PER DCN	11462		07-15
H	REV PER DCN	11878		06-27
J	REV PER DCN	12720		01-17



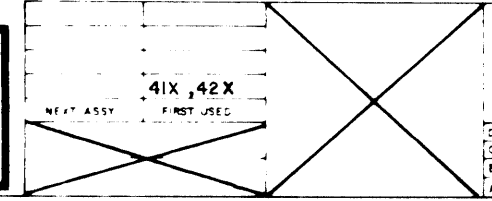
- NOTES:
1. DASH NO. DETERMINED BY KEYBOARD TOP COLOR (111820-XXX).
 2. OVERALL DIMENSIONS (APPROX.):
DEPTH 7 1/8 INCHES
WIDTH 18 3/4 INCHES
HEIGHT 2 3/4 INCHES
 3. SOLDER 20 PIN CONNECTOR TO CIRCUIT SIDE OF PCB ASSY.



BOTTOM VIEW



THESE DRAWINGS THEIR DESIGN, DETAIL AND INVENTION ARE THE PROPERTY OF TEC, INCORPORATED AND SHALL BE USED ONLY FOR REFERENCE WORK ON CONTRACT OR PROPOSAL SUBMITTED BY THIS COMPANY AND FOR FIELD REPAIR OF TEC PRODUCTS BY TEC'S CUSTOMER OR END USER AND SHALL NOT BE COPIED OR DISCLOSED TO ANY OUTSIDE PARTY WITHOUT THE EXPRESSED CONSENT OF TEC, INC.

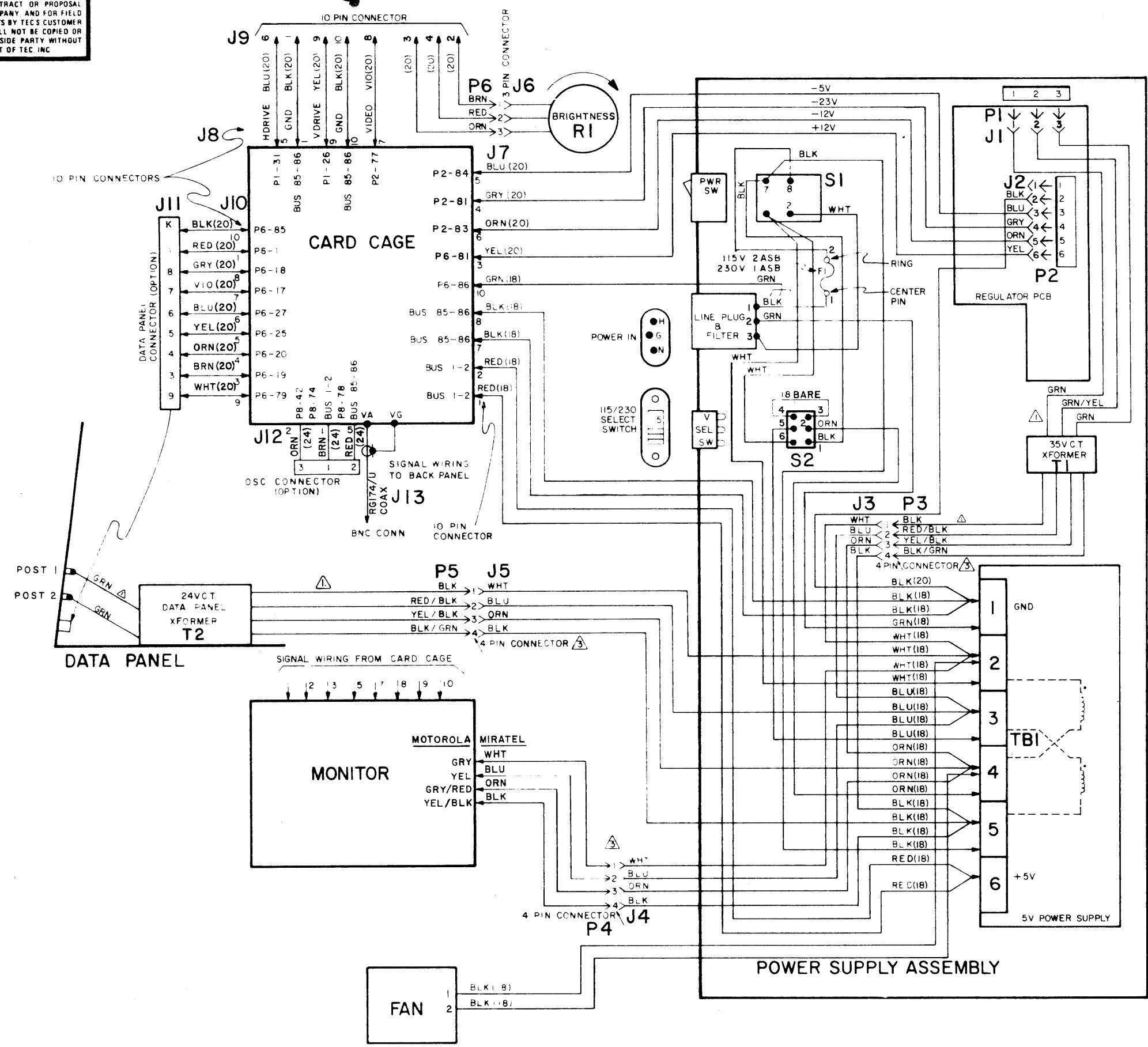


BILL OF MATERIAL	EKA-8005-XXX
DESCRIPTION	NUMBERS
REFERENCE	DOCUMENTS
TITLE	
FINAL ASSEMBLY- EKA-8005	
TEC, Incorporated	TEC, Incorporated
DRAWN NIKISHER	22 AUG 78
CHECKED DON WALKER	22 AUG 78
ENGINEER	
APPROVED	
SCALE FULL	SHEET 1 OF 1

THESE DRAWINGS THEIR DESIGN DETAIL AND INVENTION ARE THE PROPERTY OF TEC INCORPORATED AND SHALL BE USED ONLY FOR REFERENCE WORK ON CONTRACT OR PROPOSAL SUBMITTED BY THIS COMPANY AND FOR FIELD REPAIR OF TEC PRODUCTS BY TEC'S CUSTOMER OR END USER AND SHALL NOT BE COPIED OR DISCLOSED TO ANY OUTSIDE PARTY WITHOUT THE EXPRESSED CONSENT OF TEC INC.

970028

REV	DESCRIPTION	DCN	APPR	DATE
D	REVISED & REDRAWN PER DCN	8669		
E	REV PER DCN	8765		
F	REV PER DCN	10953		
F1	REV PER DCN	12831		11/8/77
H	CHG MONITOR CONN. WIRING	12945		7/20/77

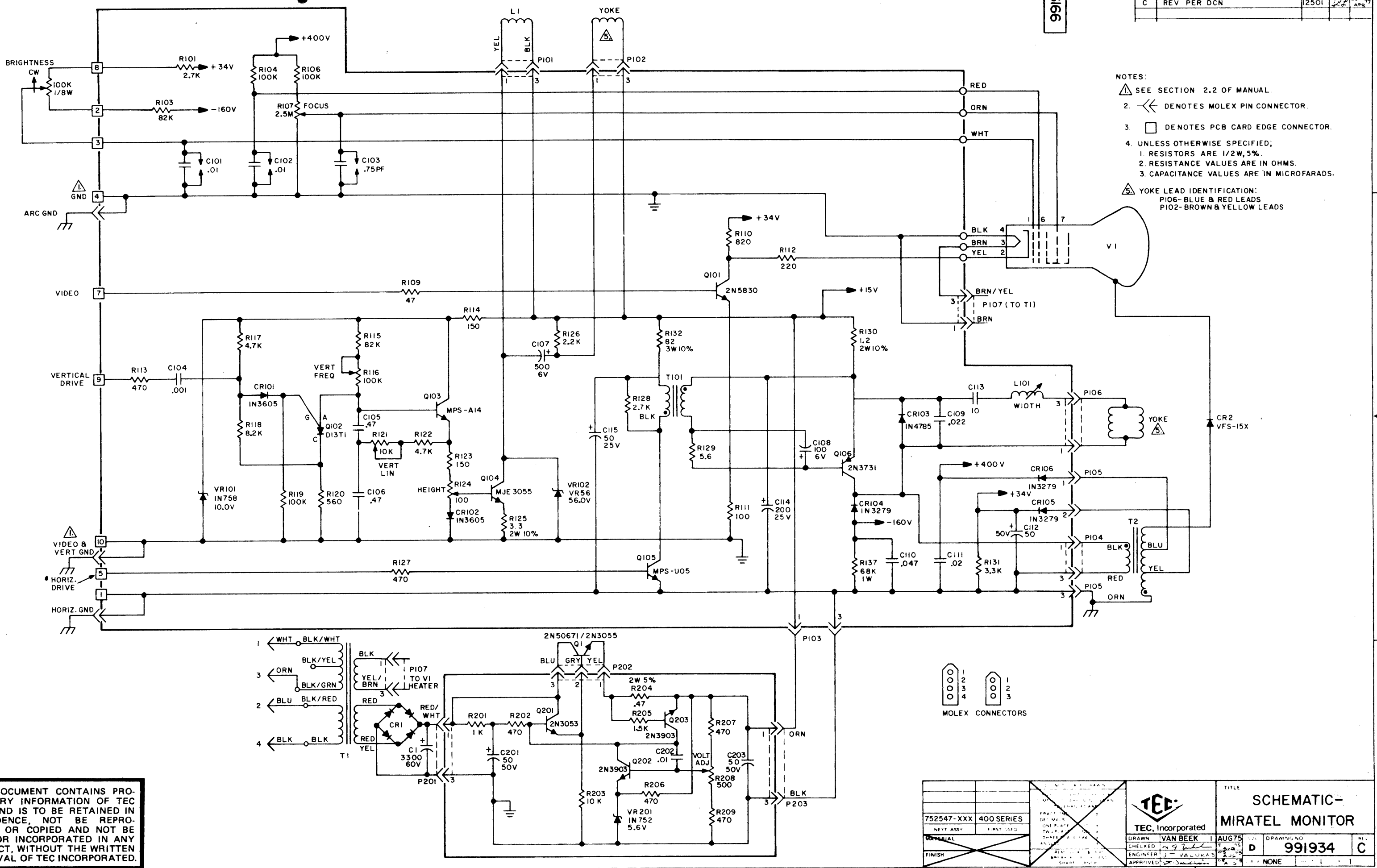


NOTES:
 1. TRANSFORMER SELF LEADS
 2. REPRESENTS A LUG OR CONNECTION
 3. CONNECTOR PIN NUMBERS ARE AS SHOWN

		WIRE & CABLE DIAGRAM - MODEL 400 TERMINAL	
		TEC, Incorporated S BRYANT 9 2873	B 970028 H NONE

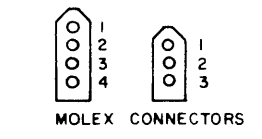
991934

REVISIONS				
REV	DESCRIPTION	DCN	APPD	DATE
B	REV & REDRAWN PER DCN	11023	JL	98 75 AUG
C	REV PER DCN	12501	JL	77 APR



- NOTES:
- SEE SECTION 2.2 OF MANUAL.
 - ⏏ DENOTES MOLEX PIN CONNECTOR.
 - DENOTES PCB CARD EDGE CONNECTOR.
 - UNLESS OTHERWISE SPECIFIED;
 - RESISTORS ARE 1/2W, 5%.
 - RESISTANCE VALUES ARE IN OHMS.
 - CAPACITANCE VALUES ARE IN MICROFARADS.
- YOKE LEAD IDENTIFICATION:
 P106- BLUE & RED LEADS
 P102- BROWN & YELLOW LEADS

THIS DOCUMENT CONTAINS PROPRIETARY INFORMATION OF TEC INC., AND IS TO BE RETAINED IN CONFIDENCE, NOT BE REPRODUCED OR COPIED AND NOT BE USED OR INCORPORATED IN ANY PRODUCT, WITHOUT THE WRITTEN APPROVAL OF TEC INCORPORATED.



752547-XXX		400 SERIES		TITLE		SCHEMATIC- MIRATEL MONITOR	
DRAWN VAN BEEK		AUG75		DRAWING NO		991934	
CHECKED		AUG75		REV		C	
ENGINEER		AUG75		MATERIAL		NONE	
APPROVED		AUG75		FINISH			

REVISIONS		DATE	APP'D	BY
A	RELEASED			16 SEP 68
B	ADD PWR SUPPLY (SCHEM)	13050		CA 78 APR

920001-XXX

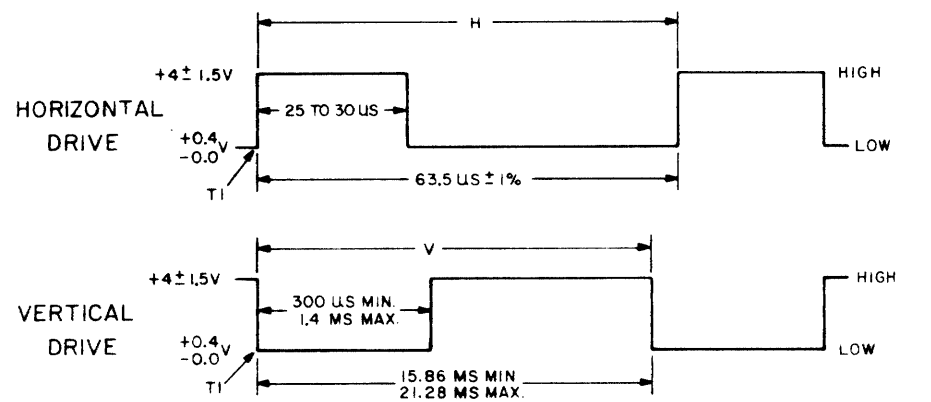
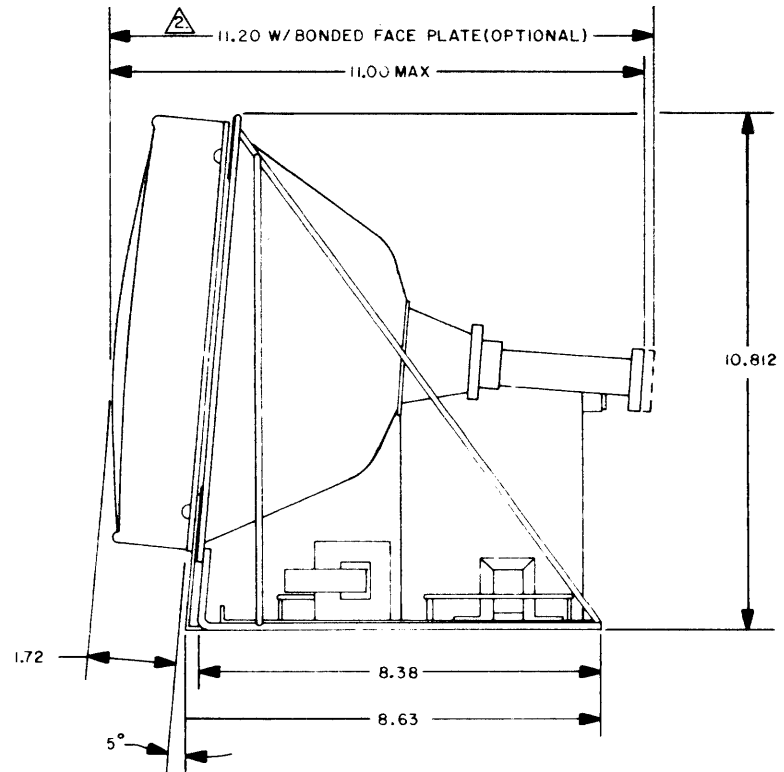
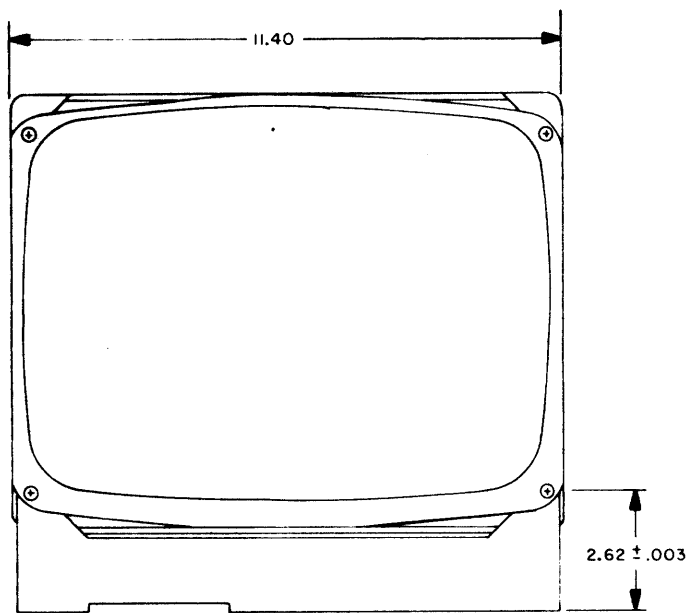
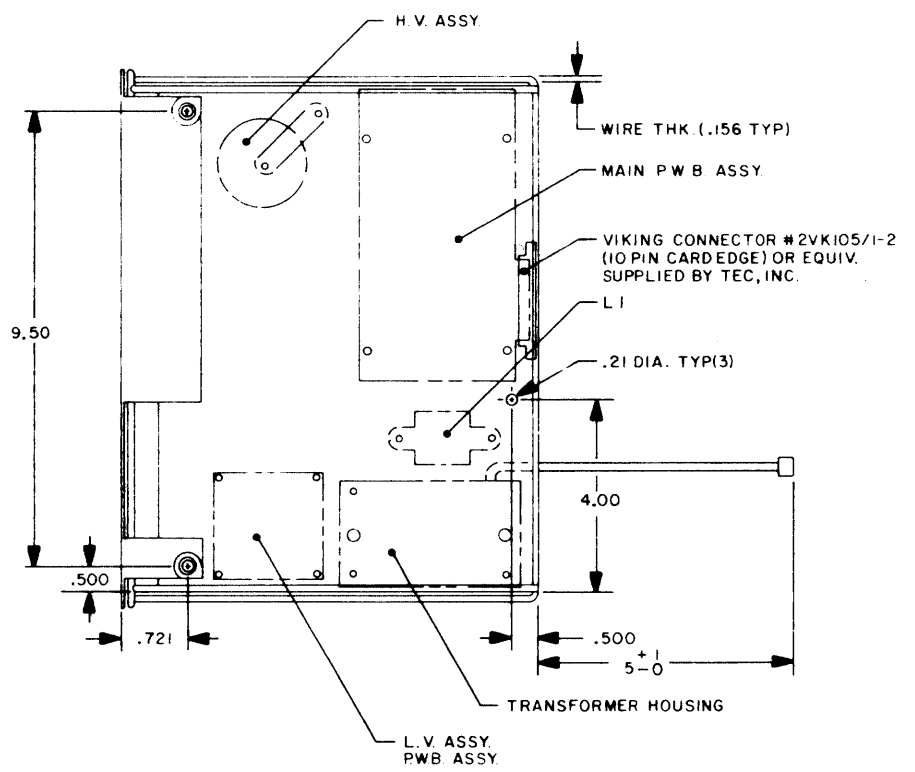


FIGURE 1
SYNCHRONIZATION GENERATOR WAVEFORMS
SEE NOTES 3 THRU 5

DASH NO.	DESCRIPTION	VOLTAGE
-001	P4 PLAIN	115 V
-002	P4 ETCHED	
-003	P31 PLAIN	
-004	P31 ETCHED	
-005	P39 ETCHED	
-006	P4 PLAIN	220 V
-007	P4 ETCHED	
-008	P31 PLAIN	
-009	P31 ETCHED	
-010	P39 ETCHED	
-011	P4 PLAIN	115/230 V
-012	P4 ETCHED	
-013	P31 PLAIN	
-014	P31 ETCHED	
-015	P39 ETCHED	

- NOTES:
- ALL SEMICONDUCTORS SHALL BE SILICON.
 - BONDED FACE PLATE, 55% LIGHT TRANSMISSION.
 - THE LEADING EDGES OF DRIVE AND BLANKING WAVEFORMS MUST START AT TIME T₁. MAX. RETRACE & DELAY TIMES SHOULD BE OBSERVED.
 - H = TIME FROM START OF ONE LINE TO START OF NEXT LINE.
 - V = TIME FROM START OF ONE FIELD TO START OF NEXT FIELD.



INPUT CONNECTOR	VIDEO	VERTICAL DRIVE SIGNAL	HORIZONTAL DRIVE SIGNAL
	(NECESSARY ACCESSORY - AVAILABLE) PCB CARD EDGE CONNECTOR - VIKING #2VK105/1-2, AMPHENOL #225-21031-101 OR EQUIV.		
PULSE RATE OR WIDTH	PULSE WIDTH: 100 NSEC OR GREATER	PULSE RATE: 47 TO 63 PULSES/SEC	PULSE RATE: 15,000 TO 16,000 LINES/SEC
AMPLITUDE	LOW = ZERO ± 0.4 VOLTS HIGH = +4 ± 1.5 VOLTS		
SIGNAL RISE & FALL TIMES (10%-90% AMPLITUDE)	LESS THAN 20 NSEC	LESS THAN 100 NSEC	LESS THAN 50 N SEC
INPUT SIGNAL FORMAT	SEE FIGURE 1		

DATA DISPLAY SPECIFICATIONS		
INPUT IMPEDANCE	MIN. SHUNT RESISTANCE	MAX SHUNT CAPACITANCE
A VIDEO INPUT:	3.3 K OHMS	40 PF
B VERTICAL DRIVE INPUT:	3.3 K OHMS	40 PF
C HORIZONTAL DRIVE INPUT:	470 OHMS	40 PF
VIDEO AMPLIFIER	12 MHZ (-3 DB)	
A BANDWIDTH	LESS THAN 45 NSEC (LINEAR MODE)	
B RISE & FALL TIMES (10%-90% AMPLITUDE):	15 NSEC, MAX (LINEAR MODE)	
C STORAGE TIME:	900 USEC RETRACE, MAX.	
RETRACE & DELAY TIMES	7 USEC RETRACE PLUS 4 USEC DELAY, MAX	
A VERTICAL:		
B HORIZONTAL:		

DISPLAY SPECIFICATIONS			
CATHODE RAY TUBE			
NOMINAL DIAGONAL MEASUREMENT	PHOSPHOR	* RESOLUTION (TV LINES)	
12"	P4	750 AT 40 FL CENTER	650 AT 40 FL CORNER
12"	P31	750 AT 40 FL CENTER	650 AT 40 FL CORNER
12"	P39	750 AT 20 FL CENTER	650 AT 20 FL CORNER
* RESOLUTION - IS MEASURED IN ACCORDANCE WITH EIA RS-375 EXCEPT BURST MODULATION (OR DEPTH OF MODULATION) IS ADJUSTED FOR 100 PERCENT.			
GEOMETRIC DISTORTION - IS MEASURED USING AN "EIA LINEARITY CHART" IN ACCORDANCE WITH EIA RS-375 SHALL BE EQUAL TO OR LESS THAN 2 PERCENT OF THE ACTIVE RASTER HEIGHT.			

POWER REQUIREMENTS	
INPUT CONNECTOR	RECEPTACLE, MOLEX #03-06-1041 SUPPLIED WITH UNIT MATING PLUG, MOLEX #03-06-2041 NECESSARY ACCESSORY (AVAILABLE).
INPUT VOLTAGE	105 V TO 130 V RMS (120 V NOMINAL); 50/60HZ 220V/240V RMS ± 10% 50/60HZ
INPUT POWER	24 WATTS (NOMINAL)

ENVIRONMENTAL SPECIFICATIONS	
TEMPERATURE (CHASSIS OR CUSTOM UNIT)	
OPERATING RANGE:	5°C TO 55°C AMBIENT
STORAGE RANGE:	-40°C TO 65°C
HUMIDITY	
5 TO 80 PERCENT (NONCONDENSING)	
ALTITUDE	
OPERATING RANGE:	UP TO 10,000 FEET

1.4 HUMAN FACTORS SPECIFICATIONS	
X-RAY RADIATION	
THESE UNITS COMPLY WITH DHEW RULES-42-CFR-PART 78	

THESE DRAWINGS, THEIR DESIGN DETAIL AND INVENTION ARE THE PROPERTY OF TEC INCORPORATED AND SHALL BE USED ONLY FOR REFERENCE WORK ON CONTRACT OR PROPOSAL SUBMITTED BY THIS COMPANY, AND FOR FIELD REPAIR OF TEC PRODUCTS BY TEC'S CUSTOMER OR END USER AND SHALL NOT BE COPIED OR DISCLOSED TO ANY OUTSIDE PARTY WITHOUT THE EXPRESSED CONSENT OF TEC INC.

400 SERIES	
FINISH	



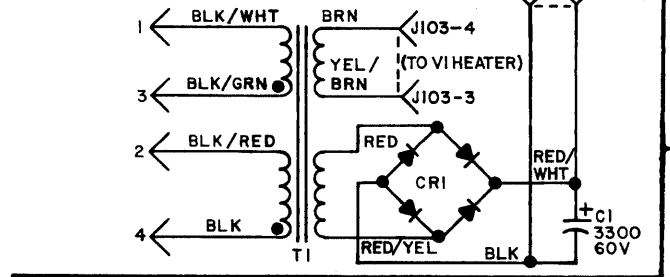
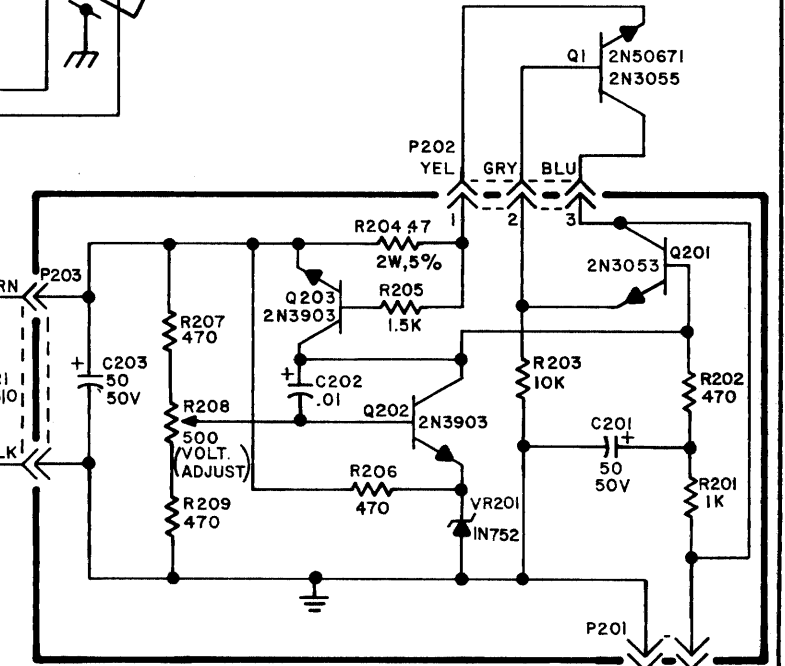
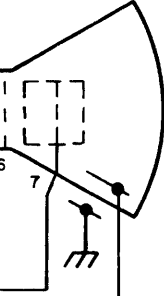
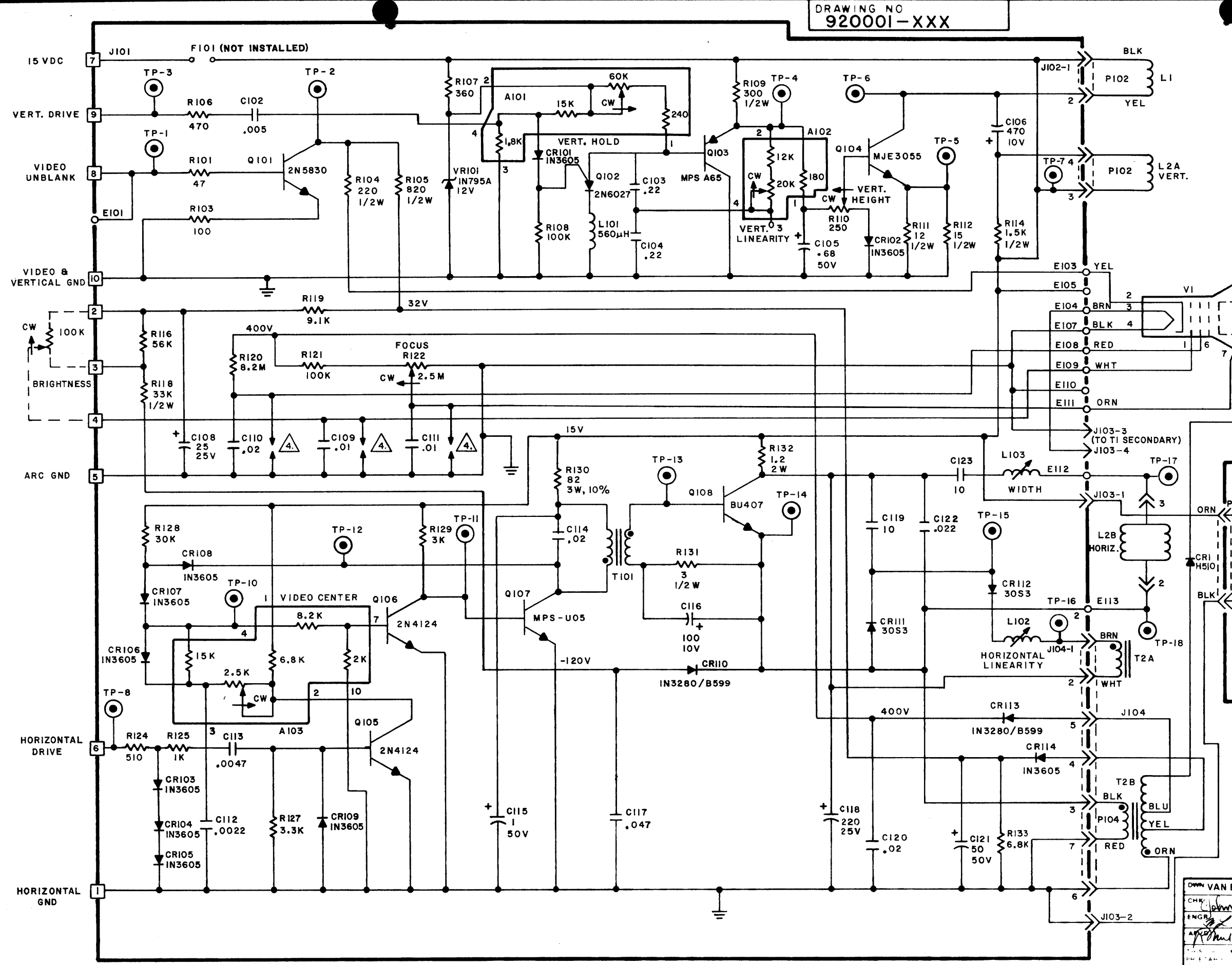
DRAWN	VAN BEEK	NOV 77	DRAWING NO	REV
CHECKED			B	920001-XXX
ENGINEER				
APPROVED				

DESCRIPTION	NUMBER
REFERENCE DOCUMENTS	
TITLE	
12 IN. SILICON MONITOR	

DRAWING NO
920001-XXX

REVISIONS					
ZONE	REV	DESCRIPTION	DCN	DATE	APPVD
	A	RELEASED		16 DEC 77	[Signature]
	B	ADD PWR SUPPLY (SCHEM)	13050	02 APR 78	[Signature]

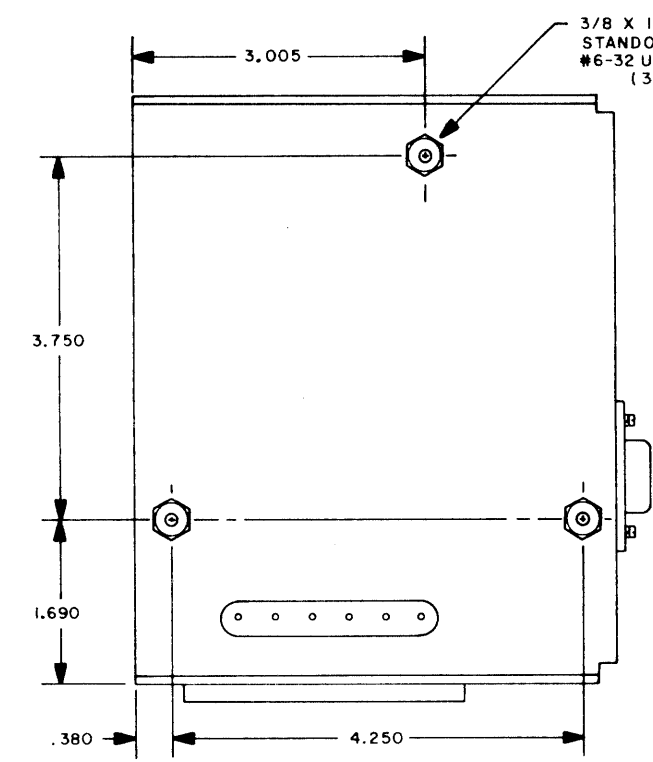
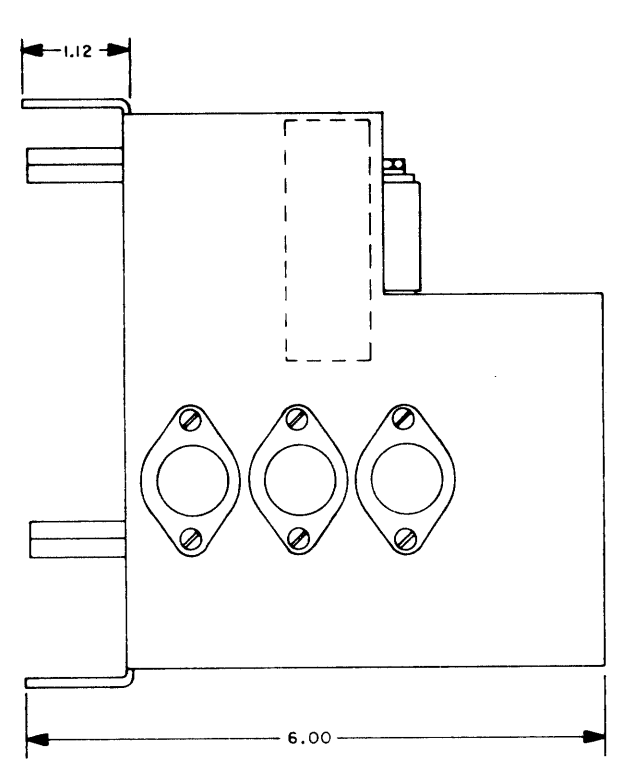
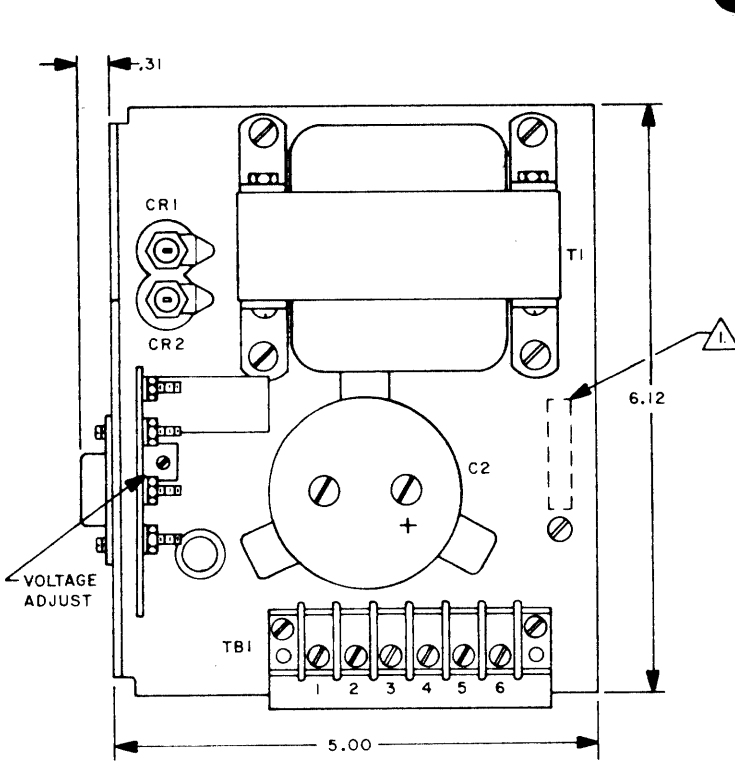
- NOTES:
- UNLESS OTHERWISE SPECIFIED;
1. RESISTORS ARE 1/2W, 5%.
2. RESISTANCE VALUES ARE IN OHMS.
3. CAPACITANCE VALUES ARE IN MICROFARADS.
 - DENOTES PCB CARD EDGE CONNECTOR.
 - ⇒ DENOTES CONNECTION TO OFF BOARD COMPONENTS.
 - △ PROTECTIVE ARC GAPS ARE AN INTEGRAL PART OF PCB.
 - LAST REFERENCE DESIGNATIONS USED:
R133, C123, CR114, L103
 - REFERENCE DESIGNATIONS NOT USED:
R113, R115, R126, C107



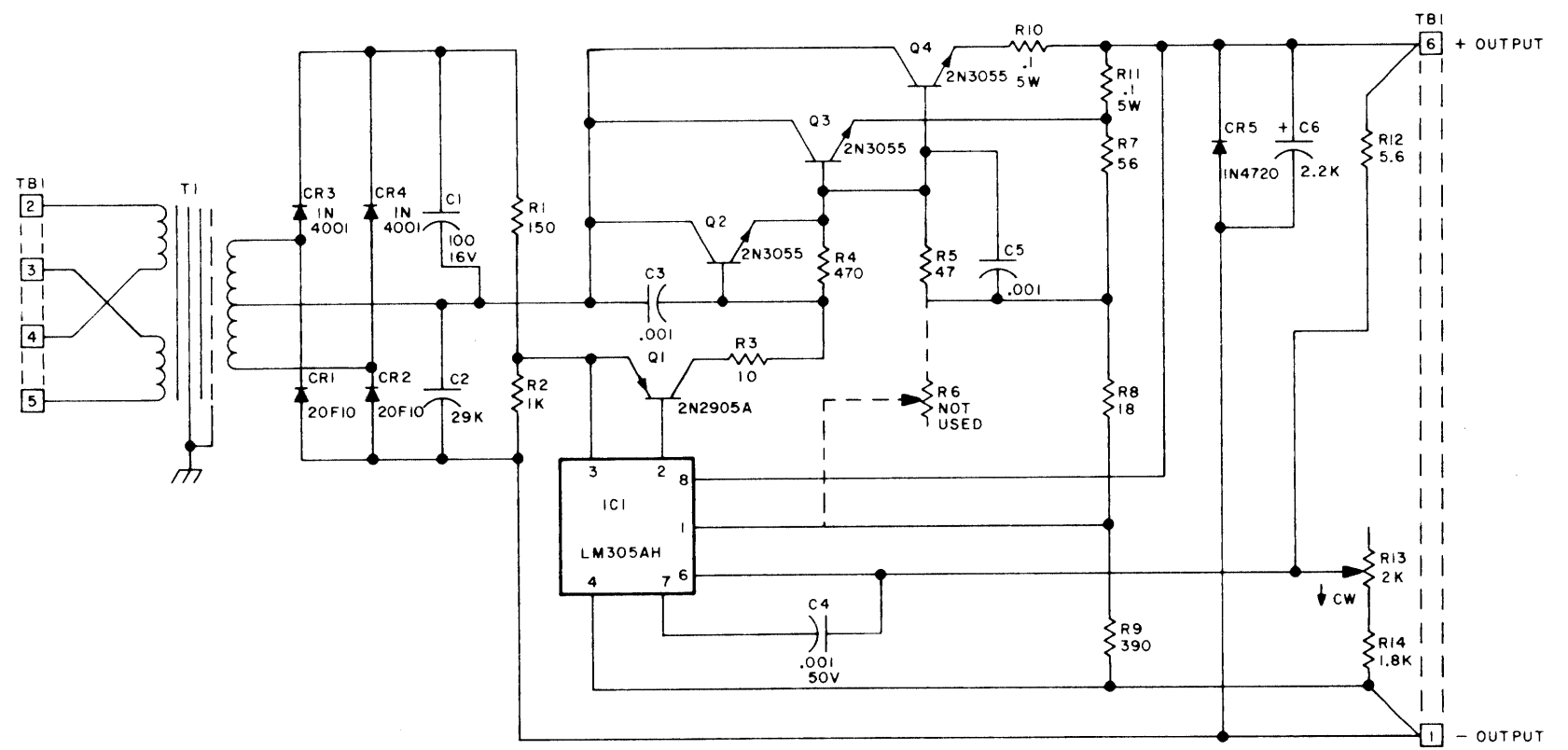
PART NUMBER		DESCRIPTION	
VAN BEEK 8 NOV 77		TEC, Incorporated	
12 IN. SILICON MONITOR		TITLE	
920001-XXX		DRAWING NUMBER	
B		REV	
SCALE		SHT 2 OF 2	

740042

REVISIONS				
REV	DESCRIPTION	DCN	APPD	DATE
C	REV & REDRAWN PER DCN	10977	FR	6/10/75
D	REV PER DCN	12082	MM	20 SEP 74
E	REV PER DCN	12207	MM	8 NOV 74
E1	REV PER DCN	12240	MM	24 JAN 75



- NOTES
1. APPLICABLE PART NO. AND REVISION LEVEL TO BE MARKED IN APPROX. LOCATION SHOWN PER TEC SPEC. NO. 965000.
 2. UNLESS OTHERWISE SPECIFIED:
 - 1. RESISTOR ARE 1/2W, 10%; WANLASS 5%.
 - 2. RESISTANCE VALUES ARE IN OHMS.
 - 3. CAPACITANCE VALUES ARE IN MICROFARADS.



POWER SUPPLY SPECIFICATIONS	
AC INPUT	115/230 VAC ± 10%, 47-63HZ, 1Ø.
DC OUTPUT	+5VDC, 8AMPS MIN. AT 60°C, CONTINUOUS.
REGULATION	LINE ± 1%, LOAD ± 1%.
RIPPLE	0.1% PLUS 10 MV RMS MAXIMUMS.
OVERLOAD PROTECTION	PROTECTED FROM OVERLOAD AND SHORT CIRCUIT USING CURRENT FOLDBACK METHODS.
FLOATING OUTPUT	SUPPLY CAN BE CONNECTED FOR + OR - TO ANY COMMON OR GROUND.
VOLTAGE ADJUST	OUTPUT ADJUST ± 10%.
CURRENT ADJUST	ELEXON - NONADJUSTABLE XENTEK - NONADJUSTABLE WANLASS - ADJUSTABLE
MATERIAL & FINISH	ANODIZED ALUMINUM
WEIGHT	ELEXON - 5 LBS XENTEK - 5 LBS WANLASS - 15 LBS MAX.

TI FUNCTION CHART	
TBI-1	- DC OUTPUT
TBI-6	+ DC OUTPUT
TBI-2,5	AC INPUT
TBI-2 TO 3 & 4 TO 5	JUMP TOGETHER FOR 115V OPERATION
TBI-3 TO 4	JUMP TOGETHER FOR 230V OPERATION

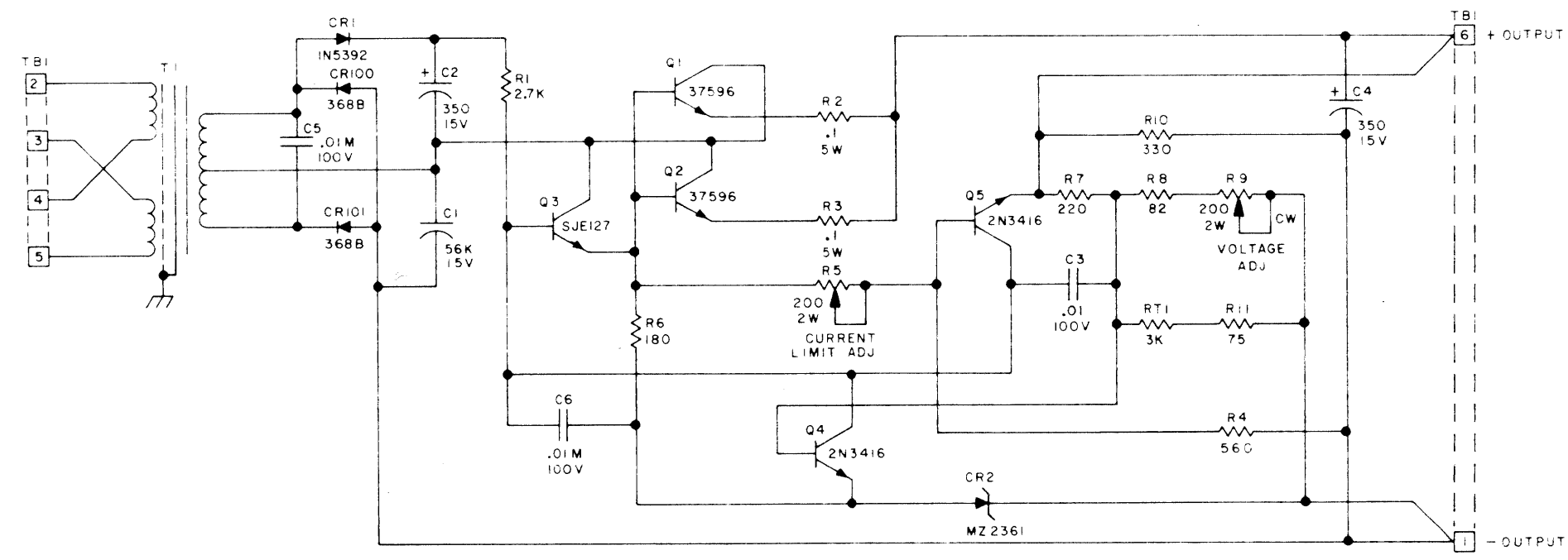
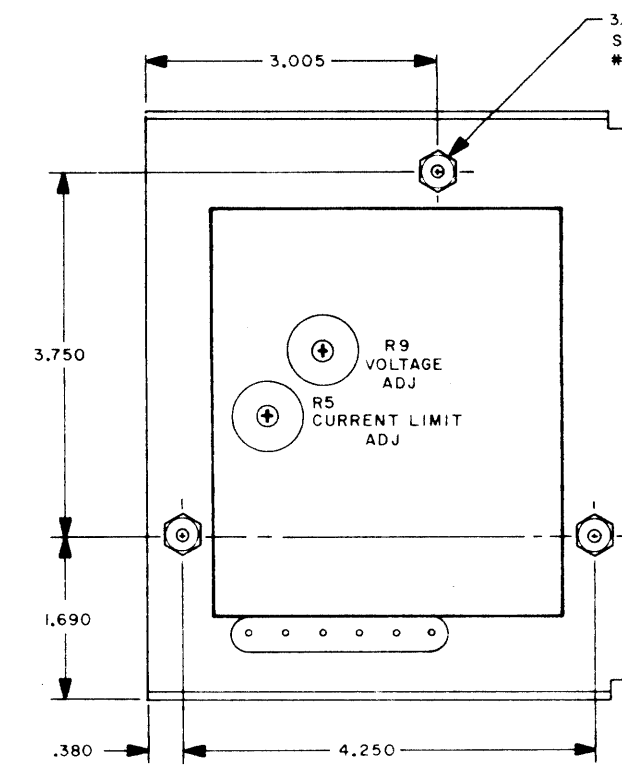
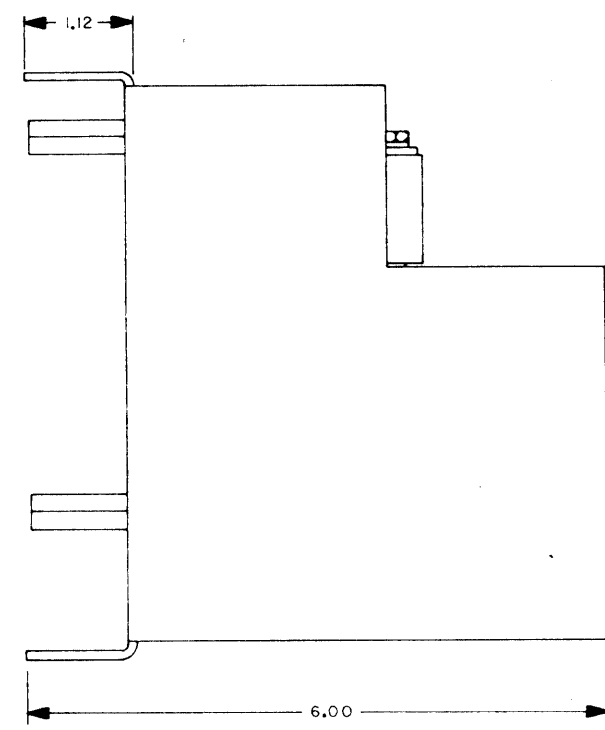
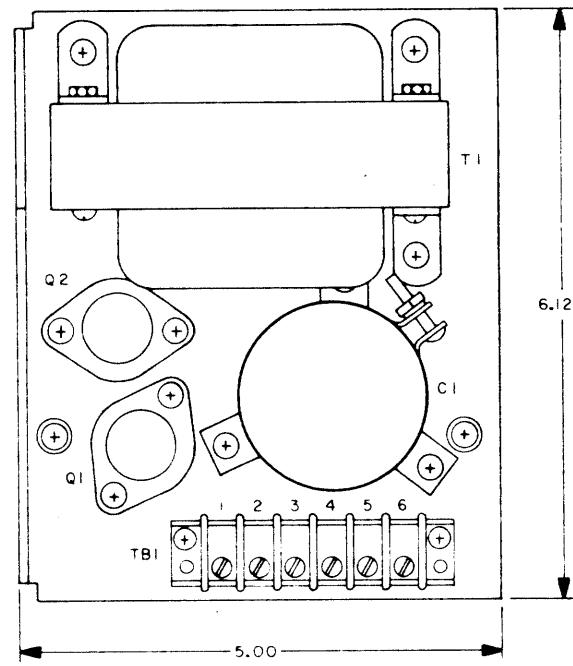
THESE DRAWINGS, THEIR DESIGN, DETAIL AND INVENTION ARE THE PROPERTY OF TEC, INCORPORATED, AND SHALL BE USED ONLY FOR REFERENCE WORK ON CONTRACT OR PROPOSAL SUBMITTED BY THIS COMPANY AND FOR FIELD REPAIR OF TEC PRODUCTS BY TEC'S CUSTOMER OR END USER, AND SHALL NOT BE COPIED OR DISCLOSED TO ANY OUTSIDE PARTY WITHOUT THE EXPRESSED CONSENT OF TEC, INC.

DO NOT SCALE DRAWING	TEC TEC Incorporated	TITLE POWER SUPPLY 5 VOLT, 8 AMP (XENTEK)
UNLESS OTHERWISE SPECIFIED DIMENSIONS ARE IN INCHES AND TOLERANCES ARE		
FRACTIONS 1/16	DRAWN VAN BEEK 4 JUN 75	SIZE D
DECIMALS .01		
ONE PLACE .10	CHECKED F. G. M. 10 JUN 75	DRAWING NO. 740042
TWO PLACE .001		
THREE PLACE .0005	ENGINEER F. G. M. 10 JUN 75	REV E1
ANGLES 1/16		
REMOVE ALL BURRS BREAK ALL EDGES AND SHARP CORNERS	APPROVED	SCALE FULL
		SHEET 1 OF 3

THESE DRAWINGS, THEIR DESIGN, DETAIL AND INVENTION ARE THE PROPERTY OF TEC, INCORPORATED, AND SHALL BE USED ONLY FOR REFERENCE WORK ON CONTRACT OR PROPOSAL SUBMITTED BY THIS COMPANY, AND FOR FIELD REPAIR OF TEC PRODUCTS BY TEC'S CUSTOMER OR END USER, AND SHALL NOT BE COPIED OR DISCLOSED TO ANY OUTSIDE PARTY WITHOUT THE EXPRESSED CONSENT OF TEC, INC.

740042

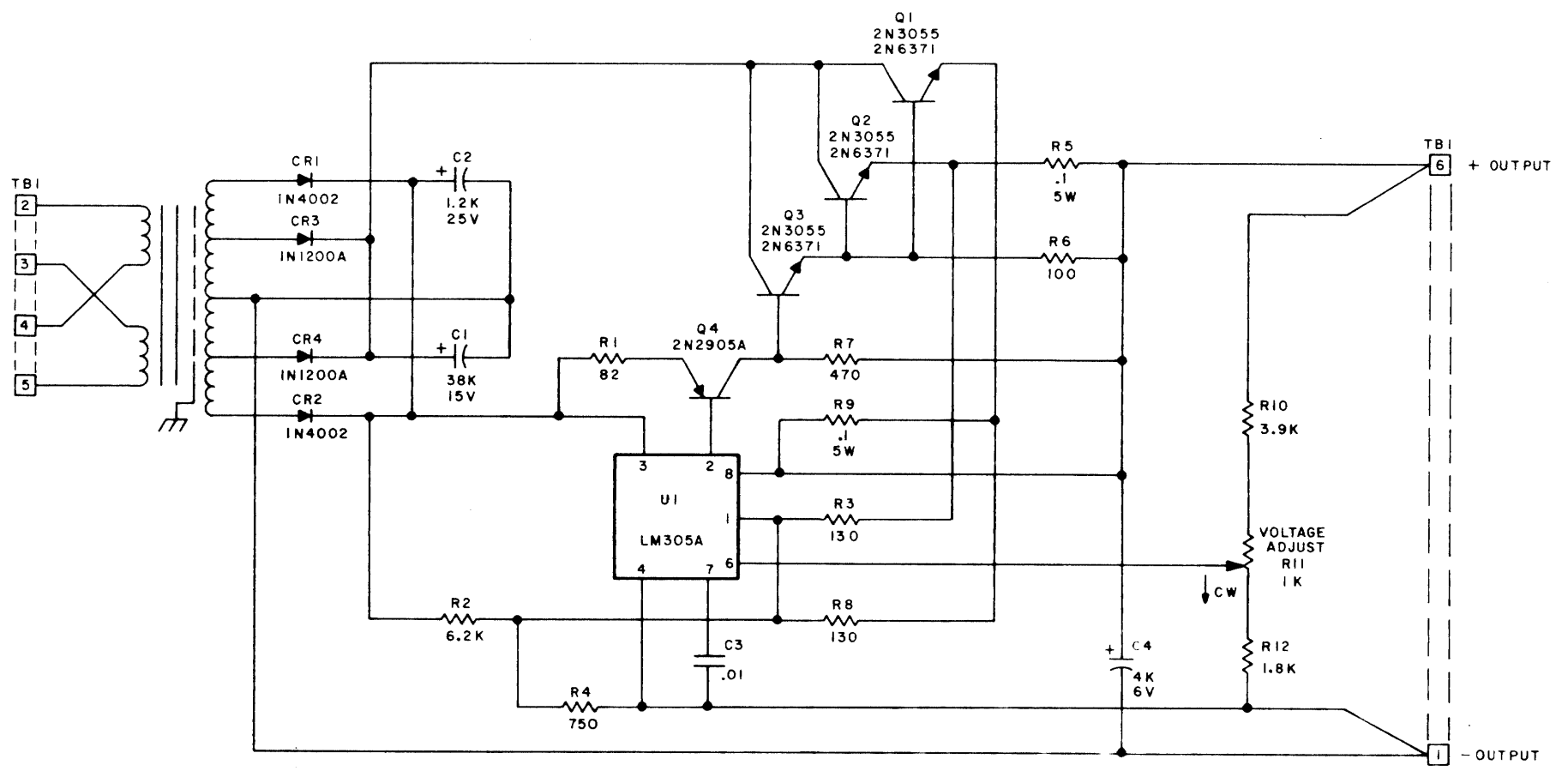
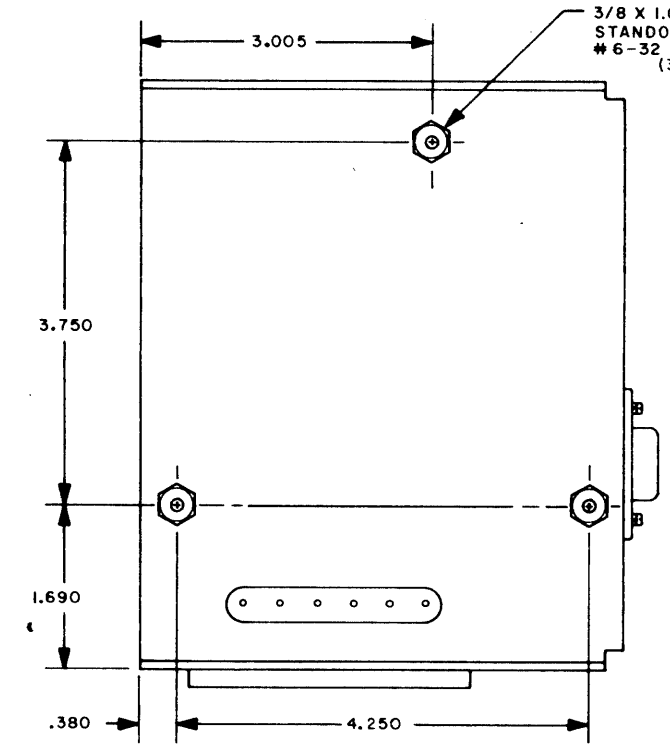
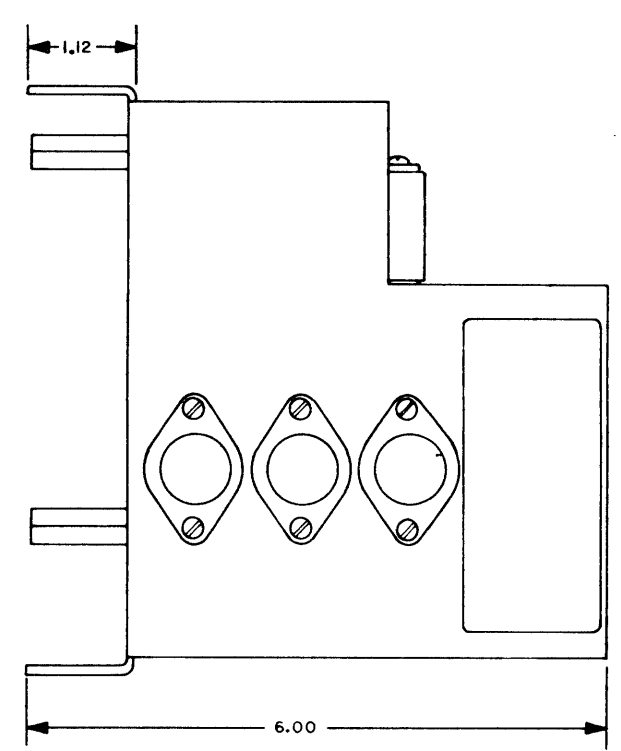
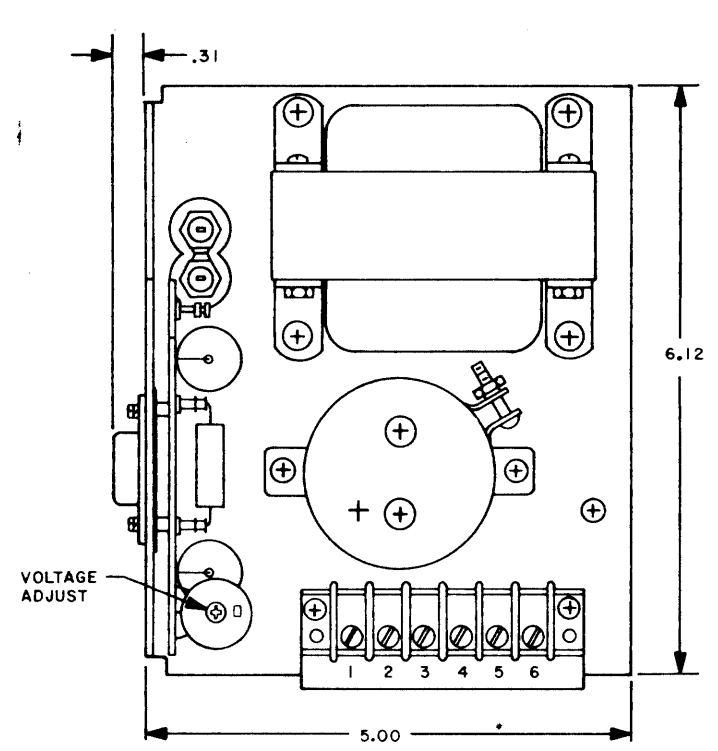
REVISIONS				
REV.	DESCRIPTION	DCN	APPD	DATE
C	REV & REDRAWN PER DCN	10977		6-10-5
D	REV PER DCN	12082		7-5
E	REV PER DCN	12207		
E1	REV PER DCN	12240		



		POWER SUPPLY 5 VOLT, 8 AMP (WALASS)	
DRAWN: VAN BEEK CHECKED: ENGINEER: APPROVED:	DATE: 5 JUN 75 DRAWING NO: 740042 REV: E1	TITLE: POWER SUPPLY 5 VOLT, 8 AMP (WALASS)	

REVISIONS				
REV	DESCRIPTION	DCN	APPD	DATE
D	REV PER DCN	12082	WLF	26 SEP 76
E	REV PER DCN	12207	WLF	9 NOV 76
E1	REV PER DCN	12240	WLF	16 JAN 77

740042



THESE DRAWINGS, THEIR DESIGN, DETAIL AND INVENTION ARE THE PROPERTY OF TEC, INCORPORATED AND SHALL BE USED ONLY FOR REFERENCE WORK ON CONTRACT OR PROPOSAL SUBMITTED BY THIS COMPANY, AND FOR FIELD REPAIR OF TEC PRODUCTS BY TEC'S CUSTOMER OR END USER AND SHALL NOT BE COPIED OR DISCLOSED TO ANY OUTSIDE PARTY WITHOUT THE EXPRESSED CONSENT OF TEC, INC.

DESIGNED BY	DATE
DRAWN BY	DATE
CHECKED BY	DATE
ENGINEER	DATE
APPROVED	DATE

TEC
TEC, Incorporated

TITLE		POWER SUPPLY	
		5 VOLT, 8 AMP	
		(ELEXON)	
DRAWN	VAN BEEK	DATE	14 SEPT 76
CHECKED		DATE	
ENGINEER	S. LEQUEA	DATE	
APPROVED		DATE	
DRAWING NO.	D 740042		REV.
PAGE		3 OF 3	