

OMNI 800
electronic data terminals

Maintenance Manual



Model 810 Printer

994386-0002, Rev. J
May 1984

Volume II

TEXAS INSTRUMENTS

**Copyright © 1984 Texas Instruments Incorporated
All Rights Reserved — Printed in USA**

The information herein and patents which might be granted thereon disclosing or employing the materials, methods, techniques or apparatus described herein are the exclusive property of Texas Instruments Incorporated.

No copies of the information or drawings shall be made without the prior consent of Texas Instruments Incorporated.

INSERT LATEST CHANGED PAGES, DESTROY SUPERSEDED PAGES

LIST OF EFFECTIVE PAGES

Model 810 Printer Maintenance Manual, Vol. II
Part No. 994386-0002
Original Issue: 15 July 1977
Revision J: May 1984

Total number of pages in this publication is **384** consisting of the following:

| Page No. | Change No. | Page No. | Change No. | Page No. | Change No. |
|-----------------------|------------|----------|------------|----------|------------|
| Front Cover | 0 | | | | |
| Effective Pages | 0 | | | | |
| 9-1 —9-312 | 0 | | | | |
| 10-1 —10-67 | 0 | | | | |
| User's Response Sheet | 0 | | | | |
| Business Reply | 0 | | | | |
| Back Cover | 0 | | | | |

CHANGE NOTICES

| Revision Letter | Date | ECN | | Description |
|-----------------|--------|--------|-------|--|
| | | Number | Level | |
| J | 5/1/84 | 498658 | E | Update per ECN; incorporate into two volumes |

Address all correspondence regarding orders to:
**Texas Instruments Incorporated
Data Systems Group
P.O. Box 1444, M/S 7793
Houston, TX 77251**

Preface

The *Model 810 Printer Maintenance Manual* consists of two volumes.

Volume I provides detailed information for installing, operating, maintaining, and replacing assemblies and subassemblies of the Texas Instruments OMNI 800* Model 810 printer in Sections 1 through 8 and the Appendixes.

Volume II, this volume, provides drawings, lists of materials, schematics, and logic diagrams in Sections 9 and 10.

OTHER PUBLICATIONS

The following additional publications support the Model 810 printer.

- *Model 810 Printer Operator's Manual* (TI Part No. 994353-9701)

- *Model 810 Maintenance Manual – Volume I* (TI Part No. 994386-0001)

To order copies, send a company purchase request to:

Texas Instruments Incorporated
Terminal Spare Parts – M/S 7793
P. O. Box 1444
Houston, Texas 77251

*Trademark of Texas Instruments Incorporated.

5

6

7

Section 9

Assembly Drawings and Parts Lists

This section contains assembly drawings and parts lists. To aid in finding correct part numbers, consult the list below and the annotated expanded view of the Model 810 Printer Major Assemblies, Figure 9-1.

| Drawing No. / Revision | Title | LMs | Page No. |
|---------------------------------------|--|-------------------------------|----------|
| Model 810 Printer Top Drawings | | | |
| 994310Y | Model 810 Printer Product Index | -0001, -0002, -0003 | 9-115 |
| 2360000E | Model 810 Family Tree | | 9-288 |
| Printer Packages | | | |
| 994292BT | Model 810 Printer | -0001 thru -0009 | 9-95 |
| 994293BY | Model 810 Printer with/Compressed Print | -0001 thru -0007 | 9-101 |
| 2360099D | 810 Printer Configurations | -0001 thru -0022 | 9-306 |
| Basic Printer Assembly | | | |
| 994323BE | Base/Power Supply Assy | -0001, -0003, -0004 | 9-135 |
| 2230487A | Nonfunctional Sub-Assy (Common Parts for Model 810) | -0001, -1000; -0002 | 9-248 |
| Major Mechanical Assembly | | | |
| 994291W | Mechanism Assy | -0001 thru -0009 | 9-87 |
| Major Electronic Assemblies | | | |
| 994244BF | Processor PWB Assy | -0002, -5002, -5502, -8002 | 9-56 |
| 994322R | Driver PWB Assy (Replaced by 994528) | -0001, -5001 | 9-124 |
| 994528V | Driver PWB Assy | -0001, -5001, -5501, -8001 | 9-194 |
| 994330T | Motherboard Assy (Replaced by 994531) | -0001 | 9-144 |
| 994531U | Motherboard Assy | -0002 | 9-204 |
| 994373G | AC Power Module Assy (Replaced by 994461) | -0001 | 9-156 |
| 994461AA | AC Power Module Assy (with EMI Filter) | -0001, -8001; -0002, -8002 | 9-182 |
| 994394V | Power Supply PWB Assy (Replaced by 994534) | -0001, -5001 | 9-159 |
| 994534W | Power Supply PWB Assy | -0001, -5001, -5501, -8001 | 9-208 |

| Drawing No. / Revision | Title | LMs | Page No. |
|---------------------------|-------|-----|----------|
|---------------------------|-------|-----|----------|

Service Replacement Assemblies

| | | | |
|----------|--|---|-------|
| 994183BD | Carriage and Paper Drive Assy | -0001 thru -0004 | 9-30 |
| 994207P | Paper Drive Motor Assy | -0001, -0002 | 9-45 |
| 994238M | Carriage Drive Motor Assy (Replaced by 994546) | -0001, -0002, -0003, -0004 | 9-52 |
| 994546M | Carriage Drive Motor Assy (Replaced by 2232582) | -0001 thru -0004 | 9-224 |
| 994541J | Encoder PWB Assy (Used on 2206620) | -0001, -5001; -0002, -5002 | 9-219 |
| 2206620F | Encoder Sub-Assy (Used on 994546) | -0001, -0002 | 9-234 |
| 2206622B | Motor, Sub-Assy | -0001 | 9-236 |
| 2232582 | Carriage Motor — Encoder Assy | -0001, -0002 | 9-278 |
| 2232583A | Base — Encoder Sub-Assy | -0001, -0002 | 9-281 |
| 2232589B | Encoder Circuit Assy | -0001, -0002 | 9-284 |
| 994258V | Printhead (Replaced by 2217374) | -0001, -0002 | 9-79 |
| 2217374J | Printhead (Universal) | -0002 | 9-245 |
| 994215Y | Ribbon Drive Assy (Metal) (Replaced by 2208274) | -0001 | 9-47 |
| 2208274K | Ribbon Drive Assy (Plastic) | -0001 | 9-238 |
| 994251L | Control and Indicator Assy | -0001 | 9-66 |
| 994257N | Auxiliary Control Panel Assy | -0001 thru -0005 | 9-68 |
| 994545 | Control Panel Adapter (Used with 994330 Mother-board Only) | -0001 | 9-222 |
| 994555E | Control Panel Assy | -0001 thru -000 | 9-226 |
| 994557M | Switchboard Assy Control Panel | -0001, -5001, -5501; -0003, -5003, -5503 | 9-230 |

Option Kits

| | | | |
|----------|--|-------------------------------|-------|
| 994395H | Kit, Character Set Options | | 9-169 |
| 994445B | Kit, Baud Rate Option | -0001, -8001 | 9-179 |
| 2360026E | Kit, 810 Options | -0001 thru -0024 | 9-293 |
| 994402J | Kit, TTY Option (1/2 Slot) (Replaced by 2230790) | -0001 | 9-174 |
| 2230789E | Kit, RS-422 Option (1/2 Slot) | -0001, -8001; | 9-265 |
| 2230790B | Kit, TTY Option (1/2 Slot) | -0001, -8001 | 9-269 |
| 2360091B | Kit, Letter Quality | -0001, -8001; -0002, -8002 | 9-299 |

| Drawing No. / Revision | Title | LMs | Page No. |
|---------------------------|-------|-----|----------|
|---------------------------|-------|-----|----------|

Option Assemblies

| | | | |
|----------|--|--|-------|
| 994305N | Current Loop I/F PWB Assy (Replaced by 2230497-0001) | -0001, -5001, -5501 | 9-106 |
| 994503AG | Line Buffer PWB Assy (Parallel and Serial I/F Options) | -0001, -0100, 5001, -5501; -0002 | 9-187 |
| 2230497A | Current Loop I/F PWB Assy RS-422 I/F PWB Assy Current Loop I/F PWB Power Down NO/NC Assy | -0001, -5501; -0002, -5502; -0003, -5503 | 9-254 |
| 2360095N | Letter Quality PWB Assy (Full Size: Replaced by 2232575) | -0001, -5001 | 9-302 |
| 2232575F | Letter Quality PWB Assy (Half Size) | -0001, -5001 -5501, -8001 | 9-273 |

Cables (Internal)

| | | | |
|----------|--------------------------------------|---------------------|-------|
| 994259J | Paper Out Cable (Internal) | -0001, -5001 | 9-85 |
| 994307M | Carriage Drive Cable (Internal) | -0001, -5001 | 9-111 |
| 994309M | Ribbon Drive Cable (Internal) | -0001, -5001 | 9-113 |
| 994349H | Cable Assy, Flex (Printhead) | -0001, -5001 | 9-147 |
| 994350J | Cable Assy, Fan (Internal) | -0001, -5001 | 9-149 |
| 994359W | Parallel I/F Cable (Internal) | -0001, -5001; -0002 | 9-151 |
| 994361U | TTY I/F Cable (Internal) | -0001, -5001 | 9-154 |
| 2210557F | Carriage Motor Flex Cable (Internal) | | 9-240 |
| 2230787F | RS-422 Cable (Internal) | -0002, -5002 | 9-263 |

Cables (External)

| | | | |
|----------|------------------------------|---|-------|
| 959372AA | Cable Assy EIA I/F | -0001, -5001; -0002, -5002; -0003, -5003; -0004, -5004 | 9-7 |
| 969626E | Cable Assy, EIA to 742 | -0001, -5001 | 9-12 |
| 973265D | Cable Assy, Aux, EIA to 742 | -0001, -5001 | 9-14 |
| 975056M | Cable Assy, EIA Extension | -0010, -5010 | 9-16 |
| 983848U | Cable Assy, EIA to 743 | -0001, -5001 | 9-19 |
| 993204F | Cable Assy, 103/113 Data Set | -0001, -5001 | 9-22 |
| 993205F | Cable Assy, 202/212 Data Set | -0001, -5001 | 9-24 |
| 993210L | Cable Assy, Data Terminal | -0001, -5001 | 9-26 |
| 993211G | Cable Assy, EIA Extension | -0001, -5001 | 9-28 |
| 994403H | Cable Assy, TTY Option | -0001 | 9-177 |

Service Accessories

| | | | |
|--------|----------------|-------|-------|
| 994399 | Extender Board | -0001 | 9-172 |
|--------|----------------|-------|-------|

Numerical List of Assembly Drawings

| Drawing No. / Revision | Title | Page No. |
|---------------------------|------------------------------------|----------|
| 959372AA | Cable Assy EIA I/F | 9-7 |
| 969626E | Cable Assy, EIA to 742 | 9-12 |
| 973265D | Cable Assy, Aux, EIA to 742 | 9-14 |
| 975056M | Cable Assy, EIA Extension | 9-16 |
| 983848U | Cable Assy, EIA to 743 | 9-19 |
| 993204F | Cable Assy, 103/113 Data Set | 9-22 |
| 993205F | Cable Assy, 202/212 Data Set | 9-24 |
| 993210L | Cable Assy, Data Terminal | 9-26 |
| 993211G | Cable Assy, EIA Extension | 9-28 |
| 994183BD | Carriage and Paper Drive Assy | 9-30 |
| 994207P | Paper Drive Motor Assy | 9-45 |
| 994215Y | Ribbon Drive Assy (Metal) | 9-47 |
| 994238M | Carriage Drive Motor Assy | 9-52 |
| 994244BF | Processor PWB Assy | 9-56 |
| 994251L | Control and Indicator Assy | 9-66 |
| 994257N | Auxiliary Control Panel Assy | 9-68 |
| 994258V | Printhead | 9-79 |
| 994259J | Paper Out Cable (Internal) | 9-85 |
| 994291W | Mechanism Assy | 9-87 |
| 994292BT | Model 810 Printer | 9-95 |
| 994293BY | Model 810 Printer with/Comp. Print | 9-101 |
| 994305N | Current Loop I/F PWB Assy | 9-106 |
| 994307M | Carriage Drive Cable (Internal) | 9-111 |
| 994309M | Ribbon Drive Cable (Internal) | 9-113 |
| 994310Y | Model 810 Printer Product Index | 9-115 |
| 994322R | Driver PWB Assy | 9-124 |
| 994323BE | Base/Power Supply Assy | 9-135 |
| 994330T | Motherboard Assy | 9-144 |
| 994349H | Cable Assy, Flex (Printhead) | 9-147 |
| 994350J | Cable Assy, Fan (Internal) | 9-149 |
| 994359W | Parallel I/F Cable (Internal) | 9-151 |
| 994361U | TTY I/F Cable (Internal) | 9-154 |
| 994373G | AC Power Module Assy | 9-156 |
| 994394V | Power Supply PWB Assy | 9-159 |
| 994395H | Kit, Character Set Options | 9-169 |

Numerical List of Assembly Drawings (continued)

| Drawing No. / Revision | Title | Page No. |
|---------------------------|--|----------|
| 994399 | Extender Board | 9-172 |
| 994402J | Kit, TTY Option (1/2 Slot) | 9-174 |
| 994403H | Cable Assy, TTY Option | 9-177 |
| 994445B | Kit, Baud Rate Option | 9-179 |
| 994461AA | AC Power Module Assy | 9-182 |
| 994503AG | Line Buffer PWB Assy (Parallel and Serial I/F Options) | 9-187 |
| 994528V | Driver PWB Assy | 9-194 |
| 994531U | Motherboard Assy | 9-204 |
| 994534W | Power Supply PWB Assy | 9-208 |
| 994541J | Encoder PWB Assy | 9-219 |
| 994545 | Control Panel Adapter | 9-222 |
| 994546M | Carriage Drive Motor Assy | 9-224 |
| 994555E | Control Panel Assy | 9-226 |
| 994557M | Switchboard Assy, Control Panel | 9-230 |
| 2206620F | Encoder Sub-Assy | 9-234 |
| 2206622B | Motor, Sub-Assy | 9-236 |
| 2208274K | Ribbon Drive Assy (Plastic) | 9-238 |
| 2210557F | Carriage Motor Flex Cable (Internal) | 9-240 |
| 2217374J | Printhead (Universal) | 9-245 |
| 2230487A | Nonfunctional Sub-Assy (Common Parts for Model 810) | 9-248 |
| 2230497A | Current Loop I/F PWB Assy | 9-254 |
| | RS-422 I/F PWB Assy | |
| | Current Loop I/F PWB Power Down NO/NC Assy | |
| 2230787F | RS-422 Cable (Internal) | 9-263 |
| 2230789E | Kit, RS-422 Option (1/2 Slot) | 9-265 |
| 2230790B | Kit, TTY Option (1/2 Slot) | 9-269 |
| 2232575F | Letter Quality PWB Assy, Half | 9-273 |
| 2232582 | Carriage Motor — Encoder Assy | 9-278 |
| 2232583A | Base — Encoder Sub-Assy | 9-281 |
| 2232589B | Encoder Circuit Assy | 9-284 |
| 2360000E | Model 810 Family Tree | 9-288 |
| 2360026E | Kit, 810 Options | 9-293 |
| 2360091B | Kit, Letter Quality | 9-299 |
| 2360095N | Letter Quality PWB Assy, Full | 9-302 |
| 2360099D | Kit, 810 Configured Units | 9-306 |

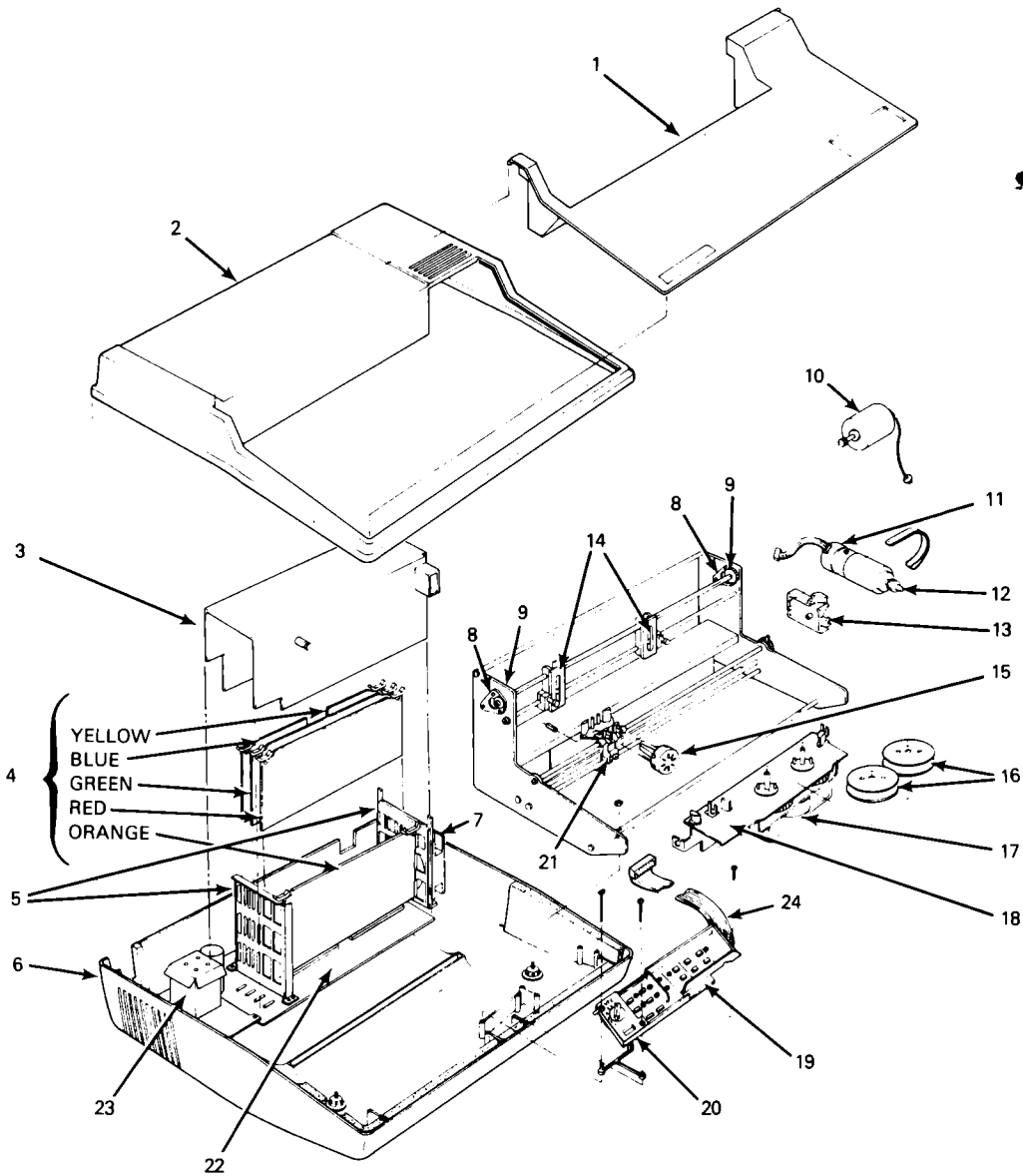


Figure 9-1. Model 810 Printer Major Assemblies

| NO. | NAME | ASSEMBLY DRAWING | NO. | NAME | ASSEMBLY DRAWING |
|-----|--------------------------------|------------------|-----|----------------------------|------------------|
| 1 | Access Door | 994293 | 12 | Motor Capstan | 994238 |
| 2 | Printer Cover | 994293 | 13 | Motor Cradle | 994238 |
| 3 | Electronics Cover | 994293 | 14 | Paper Tractors | 994183 |
| 4 | Printed Circuit Boards | | 15 | Printhead Assembly | 994258 |
| | Interface Option (Yellow/Blue) | 994305 | 16 | Ribbon Spools | 994293 |
| | Processor (Green) | 994244 | 17 | Ribbon Drive Motor | 994215 |
| | Driver (Red) | 994528 | 18 | Ribbon Assembly, Top Plate | 994215 |
| | Power Supply (Orange) | 994322* | 19 | Control Panel | 994555 |
| | | 994534 | | | 994251* |
| | | 994394* | | | 994257** |
| 5 | Card Guides | 994324 | 20 | Control Panel Adapter | 994545*** |
| 6 | Printer Base | 994324 | 21 | Printhead Carriage | 994183 |
| 7 | Fan (Vendor Supplied) | 996275 | 22 | Motherboard | 994531 |
| 8 | Paper Advance Bearings | 994183 | | | 994330* |
| 9 | Sideplate | 994183 | 23 | AC Power Module | 994461 |
| 10 | Paper Motor Drive | 994183 | | | 994373* |
| 11 | Carriage Drive Motor | 994546 | 24 | Encoder Motor Cable | 2210557 |
| | | 994238* | | | |

* Denotes alternate version, technicians should check numbers and refer to proper drawings.

** Denotes alternate version pair, technicians should check numbers and refer to proper drawings.

*** Used with 994330 Motherboard only. Not shown here.

List of Materials

01/28/84

| PART NUMBER | REV | DESCRIPTION..... | UM | |
|--------------|-----------|-----------------------------|--|----|
| 0959372-0001 | AA | CABLE ASSY,EIA 300 BAUD I/F | | |
| ITEM. | QUANTITY. | COMPONENT.. | DESCRIPTION..... | UM |
| 0001 | 00001.000 | 0232118-0075 | HOUSING CONN.PC 10 DUAL POS PHENOLIC | EA |
| 0001A | | | 000779-582963-2 P1 | |
| 0002 | 00001.000 | 0960914-0001 | HOOD,I/O CONNECTOR 10 PIN | EA |
| 0004 | 00002.000 | 0235411-0050 | SPRING RETAINING 42973-3 | EA |
| 0011 | 00001.000 | 0539409-0005 | CONNECTOR,PLUG 25 PINS | EA |
| 0011A | | | AMP -205208-1 P13 | |
| 0012 | 00001.000 | 2210305-0003 | HOOD STRN RLF 45/180DEG,BULK PK 25 POS | EA |
| 0017 | REF | 0948424-9901 | SEE TI- DRAWING OMNI OPERATION PROC AND TEST FLOW | EA |
| 0020 | 00001.000 | 0962571-0005 | PLATE, ID, EDP CABLE | EA |
| 0021 | 00001.000 | 0981301-0001 | BRACKET,CABLE | EA |
| 0025 | REF | 2265070-0001 | 1682-1301-037 SPEC, PRE-PRINTED CABLE MARKER | EA |
| 0101 | 00001.000 | 0959372-5001 | CABLE ASSY,EIA INTERFACE | EA |
| | | | 1629-9372-000 | |

01/28/84

| PART NUMBER | REV | DESCRIPTION..... | UM | |
|--------------|-----------|------------------------------------|--|----|
| 0959372-0002 | AA | CABLE ASSY,EIA INTERFACE-1200 BAUD | | |
| ITEM. | QUANTITY. | COMPONENT.. | DESCRIPTION..... | UM |
| 0001 | 00001.000 | 0232118-0075 | HOUSING CONN.PC 10 DUAL POS PHENOLIC | EA |
| 0001A | | | 000779-582963-2 P1 | |
| 0002 | 00001.000 | 0960914-0001 | HOOD,I/O CONNECTOR 10 PIN | EA |
| 0004 | 00002.000 | 0235411-0050 | SPRING RETAINING 42973-3 | EA |
| 0011 | 00001.000 | 0539409-0005 | CONNECTOR,PLUG 25 PINS | EA |
| 0011A | | | AMP -205208-1 P13 | |
| 0012 | 00001.000 | 2210305-0003 | HOOD STRN RLF 45/180DEG,BULK PK 25 POS | EA |
| 0017 | REF | 0948424-9901 | SEE TI- DRAWING OMNI OPERATION PROC AND TEST FLOW | EA |
| 0020 | 00001.000 | 0962571-0005 | PLATE, ID, EDP CABLE | EA |
| 0021 | 00001.000 | 0981301-0001 | BRACKET,CABLE | EA |
| 0025 | REF | 2265070-0001 | 1682-1301-037 SPEC, PRE-PRINTED CABLE MARKER | EA |
| 0101 | 00001.000 | 0959372-5002 | BULK CABLE ASSEMBLY MATERIAL FOR | EA |
| | | | 1629-1565-000 | |

List of Materials

01/28/84

| PART NUMBER | REV | DESCRIPTION..... | |
|--------------|-----------|---------------------------------------|--|
| 0959372-0003 | AA | CABLE ASSY,EIA INTFC 733 ASR/KSR CONT | |
| ITEM. | QUANTITY. | COMPONENT.. | DESCRIPTION..... UM |
| 0001 | 00001.000 | 0232118-0075 | HOUSING CONN.PC 10 DUAL POS PHENOLIC EA 000779-582963-2 |
| 0001A | | | P1 000779-582963-2 |
| 0002 | 00001.000 | 0960914-0001 | HOOD,I/O CONNECTOR 10 PIN EA - - -000 |
| 0004 | 00002.000 | 0235411-0050 | SPRING RETAINING 42973-3 EA 000779-42973-3 |
| 0011 | 00001.000 | 0539409-0005 | CONNECTOR,PLUG 25 PINS EA AMP -205208-1 |
| 0011A | | | P13 AMP -205208-1 |
| 0012 | 00001.000 | 2210305-0003 | HOOD STRN RLF 45/180DEG,BULK PK 25 POS EA SEE TI- DRAWING |
| 0017 | REF | 0948424-9901 | OMNI OPERATION PROC AND TEST FLOW EA |
| 0020 | 00001.000 | 0962571-0005 | PLATE, ID, EDP CABLE EA |
| 0021 | 00001.000 | 0981301-0001 | BRACKET,CABLE EA 1682-1301-037 |
| 0025 | REF | 2265070-0001 | SPEC, PRE-PRINTED CABLE MARKER EA |
| 0101 | 00001.000 | 0959372-5003 | BULK CABLE ASSEMBLY MATERIAL FOR -0003 EA 1629-9373-000 |

01/28/84

| PART NUMBER | REV | DESCRIPTION..... | |
|--------------|-----------|---|--|
| 0959372-0004 | AA | CABLE ASSY,EIA INTFC 733 ASR/KSR 500 FT | |
| ITEM. | QUANTITY. | COMPONENT.. | DESCRIPTION..... UM |
| 0001 | 00001.000 | 0232118-0075 | HOUSING CONN.PC 10 DUAL POS PHENOLIC EA 000779-582963-2 |
| 0001A | | | P1 000779-582963-2 |
| 0002 | 00001.000 | 0960914-0001 | HOOD,I/O CONNECTOR 10 PIN EA - - -000 |
| 0004 | 00002.000 | 0235411-0050 | SPRING RETAINING 42973-3 EA 000779-42973-3 |
| 0011 | 00001.000 | 0539409-0005 | CONNECTOR,PLUG 25 PINS EA AMP -205208-1 |
| 0011A | | | P13 AMP -205208-1 |
| 0012 | 00001.000 | 2210305-0003 | HOOD STRN RLF 45/180DEG,BULK PK 25 POS EA SEE TI- DRAWING |
| 0017 | REF | 0948424-9901 | OMNI OPERATION PROC AND TEST FLOW EA |
| 0020 | 00001.000 | 0962571-0005 | PLATE, ID, EDP CABLE EA |
| 0021 | 00001.000 | 0981301-0001 | BRACKET,CABLE EA 1682-1301-037 |
| 0024 | 00500.000 | 0800563-0106 | CABLE,22 AWG PVC 6 PAIRS UNSHIELD FT |
| 0025 | REF | 2265070-0001 | SPEC, PRE-PRINTED CABLE MARKER EA |
| 0101 | 00001.000 | 0959372-5004 | BULK CABLE ASSY MATERIAL FOR -0004 EA 1209- -000 |

List of Materials

01/28/84

| PART NUMBER | REV | DESCRIPTION..... | |
|--------------|-----------|--------------------------|--|
| 0959372-5001 | AA | CABLE ASSY,EIA INTERFACE | |
| ITEM. | QUANTITY. | COMPONENT.. | DESCRIPTION..... UM |
| 0003 | 00009.000 | 0972082-0011 | CONT,CONN,PCB-CRIMP TYPE,STRIP,22-18WRNG EA 000779-583361-3 |
| 0005 | 00002.000 | 0972988-0015 | SCREW 4-40 X .375 PAN HEAD CRES EA |
| 0006 | 00002.000 | 0416622-0011 | WASHER #4 FLAT EA QPL - AN960C4L |
| 0007 | 00002.000 | 0411101-0057 | LOCKWASHER # 4 EXTERNAL TOOTH CRES EA QPL - MS35335-57 |
| 0013 | 00002.000 | 2210317-0001 | LABEL,BLANK,CABLE MARKER EA 085480-SLPF-19319-4 |
| 0014 | 00006.500 | 0972444-0001 | CABLE,10 COND 22AWG UL LISTED FT |
| 0015 | 00009.000 | 0539430-0003 | CONTACT,PIN 24-20AWG .068 INSUL DIA EA AMP -205202-2 ST |
| 0018 | 00001.000 | 0532997-0014 | BAG,POLYETHYLENE,HEAT SEALED,4 W X 6 D EA -SEE TI DWG |
| 0019 | 00002.000 | 0972988-0019 | SCREW 4-40 X .750 PAN HEAD CRES EA |
| 0022 | 00001.000 | 0972632-0002 | STRAP,TIEDOWN,5 3/4LG BUNDLE DIA0-1 1/4 EA 006383-5ST1-5S |

01/28/84

| PART NUMBER | REV | DESCRIPTION..... | |
|--------------|-----------|--|--|
| 0959372-5002 | AA | BULK CABLE ASSEMBLY MATERIAL FOR -0002 | |
| ITEM. | QUANTITY. | COMPONENT.. | DESCRIPTION..... UM |
| 0003 | 00009.000 | 0972082-0011 | CONT,CONN,PCB-CRIMP TYPE,STRIP,22-18WRNG EA 000779-583361-3 |
| 0005 | 00002.000 | 0972988-0015 | SCREW 4-40 X .375 PAN HEAD CRES EA |
| 0006 | 00002.000 | 0416622-0011 | WASHER #4 FLAT EA QPL - AN960C4L |
| 0007 | 00002.000 | 0411101-0057 | LOCKWASHER # 4 EXTERNAL TOOTH CRES EA QPL - MS35335-57 |
| 0013 | 00002.000 | 2210317-0001 | LABEL,BLANK,CABLE MARKER EA 085480-SLPF-19319-4 |
| 0014 | 00006.500 | 0972444-0001 | CABLE,10 COND 22AWG UL LISTED FT |
| 0015 | 00009.000 | 0539430-0003 | CONTACT,PIN 24-20AWG .068 INSUL DIA EA AMP -205202-2 ST |
| 0018 | 00001.000 | 0532997-0014 | BAG,POLYETHYLENE,HEAT SEALED,4 W X 6 D EA -SEE TI DWG |
| 0019 | 00002.000 | 0972988-0019 | SCREW 4-40 X .750 PAN HEAD CRES EA |
| 0022 | 00001.000 | 0972632-0002 | STRAP,TIEDOWN,5 3/4LG BUNDLE DIA0-1 1/4 EA 006383-5ST1-5S |

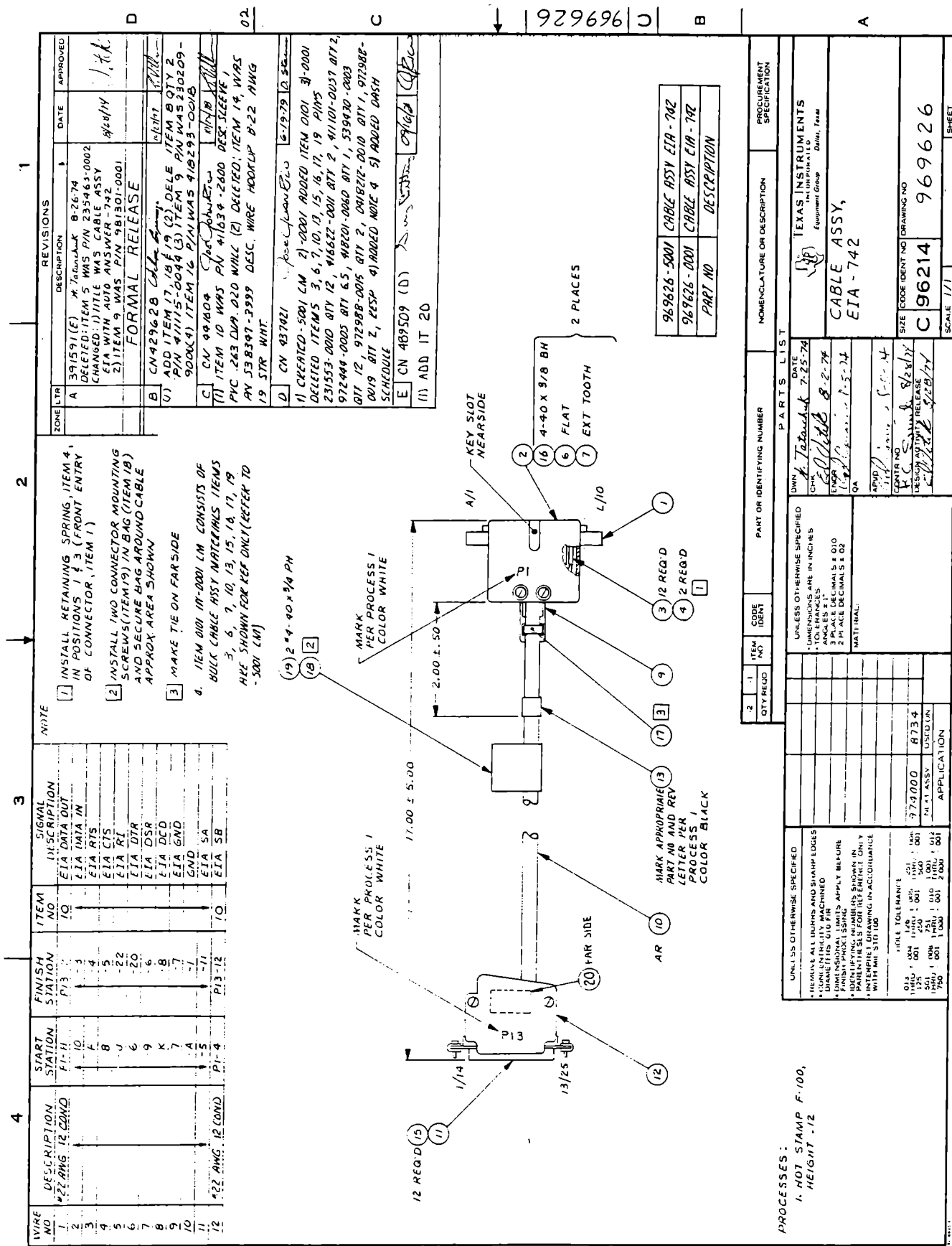
List of Materials

01/28/84

| PART NUMBER | REV | DESCRIPTION..... | UM | |
|--------------|-----------|--|---|----|
| 0959372-5003 | AA | BULK CABLE ASSEMBLY MATERIAL FOR -0003 | | |
| ITEM. | QUANTITY. | COMPONENT.. | DESCRIPTION..... | UM |
| 0003 | 00007.000 | 0972082-0011 | CONT,CONN,PCB-CRIMP TYPE,STRIP,22-18WRNG 000779-583361-3 | EA |
| 0005 | 00002.000 | 0972988-0015 | SCREW 4-40 X .375 PAN HEAD CRES | EA |
| 0006 | 00002.000 | 0416622-0011 | WASHER #4 FLAT QPL - AN960C4L | EA |
| 0007 | 00002.000 | 0411101-0057 | LOCKWASHER # 4 EXTERNAL TOOTH CRES QPL - MS35335-57 | EA |
| 0013 | 00002.000 | 2210317-0001 | LABEL,BLANK,CABLE MARKER 085480-SLPF-19319-4 | EA |
| 0014 | 00030.000 | 0800563-0106 | CABLE,22 AWG PVC 6 PAIRS UNSHIELD | FT |
| 0015 | 00009.000 | 0539430-0003 | CONTACT,PIN 24-20AWG .068 INSUL DIA AMP -205202-2 ST | EA |
| 0018 | 00001.000 | 0532997-0014 | BAG,POLYETHYLENE,HEAT SEALED,4 W X 6 D -SEE TI DWG | EA |
| 0019 | 00002.000 | 0972988-0019 | SCREW 4-40 X .750 PAN HEAD CRES | EA |
| 0022 | 00001.000 | 0972632-0002 | STRAP,TIEDOWN,5 3/4LG BUNDLE DIA0-1 1/4 006383-5ST1-5S | EA |
| 0025 | 00000.500 | 0972146-0006 | TUBING,HEAT SHRINKABLE .250 ID BLACK | FT |
| 0026 | 00000.500 | 2210012-3999 | WIRE,WHT,UL 1429, 19X34, 22AWG 6145-3200-000 | FT |
| 9997 | 00005.384 | 0239999-5000 | COST, SHRINKAGE CABLE BULK MATERIAL | EA |

01/28/84

| PART NUMBER | REV | DESCRIPTION..... | UM | |
|--------------|-----------|------------------------------------|---|----|
| 0959372-5004 | AA | BULK CABLE ASSY MATERIAL FOR -0004 | | |
| ITEM. | QUANTITY. | COMPONENT.. | DESCRIPTION..... | UM |
| 0003 | 00007.000 | 0972082-0011 | CONT,CONN,PCB-CRIMP TYPE,STRIP,22-18WRNG 000779-583361-3 | EA |
| 0005 | 00002.000 | 0972988-0015 | SCREW 4-40 X .375 PAN HEAD CRES | EA |
| 0006 | 00002.000 | 0416622-0011 | WASHER #4 FLAT QPL - AN960C4L | EA |
| 0007 | 00002.000 | 0411101-0057 | LOCKWASHER # 4 EXTERNAL TOOTH CRES QPL - MS35335-57 | EA |
| 0013 | 00002.000 | 2210317-0001 | LABEL,BLANK,CABLE MARKER 085480-SLPF-19319-4 | EA |
| 0014 | 00500.000 | 0800563-0106 | CABLE,22 AWG PVC 6 PAIRS UNSHIELD | FT |
| 0015 | 00009.000 | 0539430-0003 | CONTACT,PIN 24-20AWG .068 INSUL DIA AMP -205202-2 ST | EA |
| 0018 | 00001.000 | 0532997-0012 | BAG,POLYETHYLENE,HEAT SEALED, 3 X 3 | EA |
| 0019 | 00002.000 | 0972988-0019 | SCREW 4-40 X .750 PAN HEAD CRES | EA |
| 0022 | 00001.000 | 0972632-0002 | STRAP,TIEDOWN,5 3/4LG BUNDLE DIA0-1 1/4 006383-5ST1-5S | EA |
| 0025 | 00000.500 | 0972146-0006 | TUBING,HEAT SHRINKABLE .250 ID BLACK | FT |
| 0026 | 00000.500 | 2210012-3999 | WIRE,WHT,UL 1429, 19X34, 22AWG 6145-3200-000 | FT |



| ZONE | TR | DESCRIPTION | DATE | APPROVED |
|------|---------------|---|----------|-------------|
| A | 391591(E) | M. J. J. 8-26-74 DELETED: ITEM 5 WAS PIN 235-463-0002 CHANGED: (1) TITLE WAS CABLE ASSY EIA WITH AUTO ANSWER - 742 (2) ITEM 9 WAS PIN 981301-0001 FORMAL RELEASE | 8/26/74 | [Signature] |
| B | CN 429628 | FORMAL RELEASE | 11/11/74 | [Signature] |
| C | CN 494104 | ADD ITEM 17, 18, 19 (2) DELE ITEM 20 PIN 41115-0044 (3) ITEM 9 PIN WAS 230209-900049 ITEM 16 PIN WAS 918293-000B | 11/18/74 | [Signature] |
| D | CN 489509 (D) | ADD ITEM 10 WAS PIN 41639-2800 DESK SLEEVE, PFC 243 DVA. 020 WALL (2) DELETED: ITEM 14, W/PAS 19 STR. WHT. | 6-19-79 | [Signature] |

1) INSTALL RETAINING SPRING, ITEM 4, IN POSITIONS 1 & 3 (FRONT ENTRY OF CONNECTOR, ITEM 1)

2) INSTALL TWO CONNECTOR MOUNTING SCREWS (ITEM 19) IN BAG (ITEM 18) AND SECURE BAG AROUND CABLE APPROX. AREA SHOWN

3) MAKE TIE ON FAR SIDE

4. ITEM 2011-0001 LM CONSISTS OF BULK CABLE ASSY MATERIALS ITEMS 3, 6, 7, 10, 13, 15, 16, 17, 19 ARE SHOWN FOR REF ONLY (REFER TO -5001 LM)

| WIRE NO. | DESCRIPTION | START STATION | FINISH STATION | ITEM NO. | SIGNAL DESCRIPTION |
|----------|----------------|---------------|----------------|----------|--------------------|
| 1 | 22 AWG 12 COND | P1-4 | P13-12 | 10 | EIA DATA OUT |
| 2 | | F1-1 | P13 | 10 | EIA DATA IN |
| 3 | | F1-1 | P13 | 10 | EIA RTS |
| 4 | | F1-1 | P13 | 10 | EIA CTS |
| 5 | | F1-1 | P13 | 10 | EIA RT |
| 6 | | F1-1 | P13 | 10 | EIA DTR |
| 7 | | F1-1 | P13 | 10 | EIA OSR |
| 8 | | F1-1 | P13 | 10 | EIA DCD |
| 9 | | F1-1 | P13 | 10 | EIA GND |
| 10 | | F1-1 | P13 | 10 | EIA SA |
| 11 | | F1-1 | P13 | 10 | EIA SB |
| 12 | | F1-1 | P13 | 10 | EIA SB |

| REVISIONS | DESCRIPTION | DATE | APPROVED |
|-----------|---|----------|-------------|
| 1 | 391591(E) M. J. J. 8-26-74 DELETED: ITEM 5 WAS PIN 235-463-0002 CHANGED: (1) TITLE WAS CABLE ASSY EIA WITH AUTO ANSWER - 742 (2) ITEM 9 WAS PIN 981301-0001 FORMAL RELEASE | 8/26/74 | [Signature] |
| 2 | CN 429628 | 11/11/74 | [Signature] |
| 3 | CN 494104 | 11/18/74 | [Signature] |
| 4 | CN 489509 (D) | 6-19-79 | [Signature] |

| QTY | ITEM NO. | CODE | IDENT | PART OR IDENTIFYING NUMBER | NOMENCLATURE OR DESCRIPTION | REQUIREMENT SPECIFICATION |
|-----|----------|------|-------|----------------------------|-----------------------------|---------------------------|
| 1 | 1 | | | | 969626-5001 | CABLE ASSY EIA-742 |
| 1 | 2 | | | | 969626-0001 | CABLE ASSY EIA-742 |
| 1 | 3 | | | | | DESCRIPTION |

| PARTS LIST | | UNLESS OTHERWISE SPECIFIED | |
|----------------------------|----------------------------|----------------------------|----------------------------|
| UNLESS OTHERWISE SPECIFIED | UNLESS OTHERWISE SPECIFIED | UNLESS OTHERWISE SPECIFIED | UNLESS OTHERWISE SPECIFIED |
| ITEMS ARE IN INCHES | ITEMS ARE IN INCHES | ITEMS ARE IN INCHES | ITEMS ARE IN INCHES |
| ANGLES ± 1° | ANGLES ± 1° | ANGLES ± 1° | ANGLES ± 1° |
| 3 PLACE DECIMALS ± 0.01 | 3 PLACE DECIMALS ± 0.01 | 3 PLACE DECIMALS ± 0.01 | 3 PLACE DECIMALS ± 0.01 |
| 2 PLACE DECIMALS ± 0.02 | 2 PLACE DECIMALS ± 0.02 | 2 PLACE DECIMALS ± 0.02 | 2 PLACE DECIMALS ± 0.02 |
| MATERIAL: | MATERIAL: | MATERIAL: | MATERIAL: |
| 799000 | 799000 | 799000 | 799000 |
| NET ASSY | NET ASSY | NET ASSY | NET ASSY |
| APPLICATION | APPLICATION | APPLICATION | APPLICATION |

PROCESSES:

1. HOT STAMP F.100,
HEIGHT .12

List of Materials

01/28/84

| PART NUMBER | REV | DESCRIPTION..... | |
|--------------|-----------|--------------------|--|
| 0969626-0001 | E | CABLE ASSY EIA-742 | |
| ITEM. | QUANTITY. | COMPONENT.. | DESCRIPTION..... UM |
| 0001 | 00001.000 | 0232118-0075 | HOUSING CONN.PC 10 DUAL POS PHENOLIC EA 000779-582963-2 |
| 0001A | | | P1 000779-582963-2 |
| 0002 | 00001.000 | 0960914-0001 | HOOD,I/O CONNECTOR 10 PIN EA - - -000 |
| 0004 | 00002.000 | 0235411-0050 | SPRING RETAINING 42973-3 EA 000779-42973-3 |
| 0009 | 00001.000 | 0981301-0001 | BRACKET,CABLE EA 1682-1301-037 |
| 0011 | 00001.000 | 0539409-0005 | CONNECTOR,PLUG 25 PINS EA AMP -205208-1 |
| 0011A | | | P13 AMP -205208-1 |
| 0012 | 00001.000 | 2210305-0003 | HOOD STRN RLF 45/180DEG,BULK PK 25 POS EA SEE TI- DRAWING |
| 0018 | 00001.000 | 0532997-0012 | BAG,POLYETHYLENE,HEAT SEALED, 3 X 3 EA |
| 0020 | 00001.000 | 0962571-0005 | PLATE, ID, EDP CABLE EA |
| 0101 | 00001.000 | 0969626-5001 | CABLE ASSY,EIA-742 EA 1629-9626-000 |

01/28/84

| PART NUMBER | REV | DESCRIPTION..... | |
|--------------|-----------|--------------------|--|
| 0969626-5001 | E | CABLE ASSY,EIA-742 | |
| ITEM. | QUANTITY. | COMPONENT.. | DESCRIPTION..... UM |
| 0003 | 00012.000 | 0231553-0010 | CONTACT LEAF 42717-3 EA 000779-42717-3 |
| 0006 | 00002.000 | 0416622-0011 | WASHER #4 FLAT EA QPL - AN960C4L |
| 0007 | 00002.000 | 0411101-0057 | LOCKWASHER # 4 EXTERNAL TOOTH CRES EA QPL - MS35335-57 |
| 0010 | 00006.500 | 0972444-0005 | CABLE,12COND 22AWG UL LISTED FT 019007-6914UL |
| 0013 | 00001.000 | 0418201-0060 | STRAP,MARKER,ADJUSTABLE,PLASTIC EA QPL-MS-3368-1-9B |
| 0015 | 00012.000 | 0539430-0003 | CONTACT,PIN 24-20AWG .068 INSUL DIA EA AMP -205202-2 ST |
| 0016 | 00002.000 | 0972988-0015 | SCREW 4-40 X .375 PAN HEAD CRES EA |
| 0017 | 00001.000 | 0418212-0010 | STRAP,TIEDOWN,ADJUSTABLE,PLASTIC EA QPL - MS3367-1-9 |
| 0019 | 00002.000 | 0972988-0019 | SCREW 4-40 X .750 PAN HEAD CRES EA |

List of Materials

01/28/84

| PART NUMBER | REV | DESCRIPTION..... | | |
|--------------|-----------|------------------------------|---|----|
| 0973265-0001 | D | CABLE ASSY,AUX EIA I/F - 742 | | |
| ITEM. | QUANTITY. | COMPONENT.. | DESCRIPTION..... | UM |
| 0001 | 00001.000 | 0539409-0006 | CONNECTOR,RCPT 25 PINS AMP -205207-1 | EA |
| 0001A | | | P13 AMP -205207-1 | |
| 0002 | 00001.000 | 2210305-0003 | HOOD STRN RLF 45/180DEG,BULK PK 25 POS SEE TI- DRAWING | EA |
| 0004 | 00060.000 | 2210012-3999 | WIRE,WHT,UL 1429, 19X34, 22AWG 6145-3200-000 | FT |
| 0008 | 00001.000 | 0539815-0001 | CONNECTOR 15 DUAL POS PHENOLIC AMP -1-582147-5 | EA |
| 0008A | | | P2 AMP -1-582147-5 | |
| 0010 | 00001.000 | 0960914-0002 | HOOD,I/O CONNECTOR-15 PIN | EA |
| 0015 | 00001.000 | 0532997-0012 | BAG,POLYETHYLENE,HEAT SEALED, 3 X 3 | EA |
| 0017 | REF | 0970635-9901 | TEST PROGRAM,DITMCO-AUX EIA INTFC CABLE | EA |
| 0018 | 00001.000 | 0962571-0005 | PLATE, ID, EDP CABLE | EA |
| 0101 | 00001.000 | 0973265-5001 | CABLE ASSY,AUX EIA INTERFACE-742 1209-5265-000 | EA |

01/28/84

| PART NUMBER | REV | DESCRIPTION..... | | |
|--------------|-----------|----------------------------------|---|----|
| 0973265-5001 | D | CABLE ASSY,AUX EIA INTERFACE-742 | | |
| ITEM. | QUANTITY. | COMPONENT.. | DESCRIPTION..... | UM |
| 0003 | 00001.300 | 0539430-0004 | CONTACT,SOCKET 24-20AWG .068 INSUL DIA AMP -205201-3 ST | EA |
| 0004 | 00060.000 | 2210012-3999 | WIRE,WHT,UL 1429, 19X34, 22AWG 6145-3200-000 | FT |
| 0005 | 00000.100 | 0972436-0013 | INSUL SLVG, .263DIA X .020 WALL THK PVC 03890H-T-105C-2 | FT |
| 0009 | 00010.000 | 0972082-0011 | CONT,CONN,PCB-CRIMP TYPE,STRIP,22-18WRNG 000779-583361-3 | EA |
| 0011 | 00002.000 | 0972988-0018 | SCREW 4-40 X .625 PAN HEAD CRES | EA |
| 0012 | 00002.000 | 0416622-0011 | WASHER #4 FLAT QPL - AN960C4L | EA |
| 0013 | 00002.000 | 0972988-0019 | SCREW 4-40 X .750 PAN HEAD CRES | EA |
| 0014 | 00002.000 | 0411115-0044 | NUT,4-40 HEXAGON CRES STEEL MS -35649-244 | EA |
| 0016 | 00014.000 | 0972436-0011 | INSULATION SLEEVING,PVC 8 X.133 003890-HT-105C-8 | FT |
| 0056 | 00001.000 | 0418201-0060 | STRAP,MARKER,ADJUSTABLE,PLASTIC QPL-MS-3368-1-98 | EA |

7

| NO. | DESCRIPTION | REV. | DATE | BY | CHKD. |
|-----|-------------|------|----------|-----|-------|
| 1 | BK | 1 | 11/15/53 | WJL | WJL |
| 2 | PI | 1 | 11/15/53 | WJL | WJL |
| 3 | SK | 1 | 11/15/53 | WJL | WJL |
| 4 | WAT | 1 | 11/15/53 | WJL | WJL |
| 5 | SHIELD | 1 | 11/15/53 | WJL | WJL |
| 6 | NOZZE WHT | 1 | 11/15/53 | WJL | WJL |

NOTES:

1. MOUNTING HARDWARE FOR PI COMES IN PLASTIC BAG ATTACHED PLASTIC BAG TO CABLE ASSEMBLY NEAR PI
2. COMP ITEM 6 TO ITEM 8 AND INSERT IN PZ-L AND PZ-B.
3. JOIN DETAILS WITH ITEM 1 USING ITEM 17.
4. MARK PER 2265070 LINE 4 TEST-PRINT (LENGTH)
5. MARK PER 2265070 LINE 4 TEST-PRINTER END (LENGTH)
6. BUILD UP CABLE WITH 1970 DIM BANDS.
7. ITEM 18 IN 0010-0020-0030-0040-0050-0060-0070, -0080-0090-0100-0200-0300-0400-0500-0600-0700-0800-0900-1000-1100-1200-1300-1400-1500-1600-1700-1800-1900-2000-2100-2200-2300-2400-2500-2600-2700-2800-2900-3000-3100-3200-3300-3400-3500-3600-3700-3800-3900-4000-4100-4200-4300-4400-4500-4600-4700-4800-4900-5000-5100-5200-5300-5400-5500-5600-5700-5800-5900-6000-6100-6200-6300-6400-6500-6600-6700-6800-6900-7000-7100-7200-7300-7400-7500-7600-7700-7800-7900-8000-8100-8200-8300-8400-8500-8600-8700-8800-8900-9000-9100-9200-9300-9400-9500-9600-9700-9800-9900-10000

REVISIONS

| NO. | DESCRIPTION | DATE | BY | CHKD. |
|-----|---------------------|----------|-----|-------|
| 1 | INITIAL DESIGN | 11/15/53 | WJL | WJL |
| 2 | REVISED PER 2265070 | 11/15/53 | WJL | WJL |
| 3 | REVISED PER 2265070 | 11/15/53 | WJL | WJL |
| 4 | REVISED PER 2265070 | 11/15/53 | WJL | WJL |
| 5 | REVISED PER 2265070 | 11/15/53 | WJL | WJL |
| 6 | REVISED PER 2265070 | 11/15/53 | WJL | WJL |
| 7 | REVISED PER 2265070 | 11/15/53 | WJL | WJL |
| 8 | REVISED PER 2265070 | 11/15/53 | WJL | WJL |
| 9 | REVISED PER 2265070 | 11/15/53 | WJL | WJL |
| 10 | REVISED PER 2265070 | 11/15/53 | WJL | WJL |
| 11 | REVISED PER 2265070 | 11/15/53 | WJL | WJL |
| 12 | REVISED PER 2265070 | 11/15/53 | WJL | WJL |
| 13 | REVISED PER 2265070 | 11/15/53 | WJL | WJL |
| 14 | REVISED PER 2265070 | 11/15/53 | WJL | WJL |
| 15 | REVISED PER 2265070 | 11/15/53 | WJL | WJL |
| 16 | REVISED PER 2265070 | 11/15/53 | WJL | WJL |
| 17 | REVISED PER 2265070 | 11/15/53 | WJL | WJL |
| 18 | REVISED PER 2265070 | 11/15/53 | WJL | WJL |
| 19 | REVISED PER 2265070 | 11/15/53 | WJL | WJL |
| 20 | REVISED PER 2265070 | 11/15/53 | WJL | WJL |
| 21 | REVISED PER 2265070 | 11/15/53 | WJL | WJL |
| 22 | REVISED PER 2265070 | 11/15/53 | WJL | WJL |
| 23 | REVISED PER 2265070 | 11/15/53 | WJL | WJL |
| 24 | REVISED PER 2265070 | 11/15/53 | WJL | WJL |
| 25 | REVISED PER 2265070 | 11/15/53 | WJL | WJL |
| 26 | REVISED PER 2265070 | 11/15/53 | WJL | WJL |
| 27 | REVISED PER 2265070 | 11/15/53 | WJL | WJL |
| 28 | REVISED PER 2265070 | 11/15/53 | WJL | WJL |
| 29 | REVISED PER 2265070 | 11/15/53 | WJL | WJL |
| 30 | REVISED PER 2265070 | 11/15/53 | WJL | WJL |
| 31 | REVISED PER 2265070 | 11/15/53 | WJL | WJL |
| 32 | REVISED PER 2265070 | 11/15/53 | WJL | WJL |
| 33 | REVISED PER 2265070 | 11/15/53 | WJL | WJL |
| 34 | REVISED PER 2265070 | 11/15/53 | WJL | WJL |
| 35 | REVISED PER 2265070 | 11/15/53 | WJL | WJL |
| 36 | REVISED PER 2265070 | 11/15/53 | WJL | WJL |
| 37 | REVISED PER 2265070 | 11/15/53 | WJL | WJL |
| 38 | REVISED PER 2265070 | 11/15/53 | WJL | WJL |
| 39 | REVISED PER 2265070 | 11/15/53 | WJL | WJL |
| 40 | REVISED PER 2265070 | 11/15/53 | WJL | WJL |
| 41 | REVISED PER 2265070 | 11/15/53 | WJL | WJL |
| 42 | REVISED PER 2265070 | 11/15/53 | WJL | WJL |
| 43 | REVISED PER 2265070 | 11/15/53 | WJL | WJL |
| 44 | REVISED PER 2265070 | 11/15/53 | WJL | WJL |
| 45 | REVISED PER 2265070 | 11/15/53 | WJL | WJL |
| 46 | REVISED PER 2265070 | 11/15/53 | WJL | WJL |
| 47 | REVISED PER 2265070 | 11/15/53 | WJL | WJL |
| 48 | REVISED PER 2265070 | 11/15/53 | WJL | WJL |
| 49 | REVISED PER 2265070 | 11/15/53 | WJL | WJL |
| 50 | REVISED PER 2265070 | 11/15/53 | WJL | WJL |
| 51 | REVISED PER 2265070 | 11/15/53 | WJL | WJL |
| 52 | REVISED PER 2265070 | 11/15/53 | WJL | WJL |
| 53 | REVISED PER 2265070 | 11/15/53 | WJL | WJL |
| 54 | REVISED PER 2265070 | 11/15/53 | WJL | WJL |
| 55 | REVISED PER 2265070 | 11/15/53 | WJL | WJL |
| 56 | REVISED PER 2265070 | 11/15/53 | WJL | WJL |
| 57 | REVISED PER 2265070 | 11/15/53 | WJL | WJL |
| 58 | REVISED PER 2265070 | 11/15/53 | WJL | WJL |
| 59 | REVISED PER 2265070 | 11/15/53 | WJL | WJL |
| 60 | REVISED PER 2265070 | 11/15/53 | WJL | WJL |
| 61 | REVISED PER 2265070 | 11/15/53 | WJL | WJL |
| 62 | REVISED PER 2265070 | 11/15/53 | WJL | WJL |
| 63 | REVISED PER 2265070 | 11/15/53 | WJL | WJL |
| 64 | REVISED PER 2265070 | 11/15/53 | WJL | WJL |
| 65 | REVISED PER 2265070 | 11/15/53 | WJL | WJL |
| 66 | REVISED PER 2265070 | 11/15/53 | WJL | WJL |
| 67 | REVISED PER 2265070 | 11/15/53 | WJL | WJL |
| 68 | REVISED PER 2265070 | 11/15/53 | WJL | WJL |
| 69 | REVISED PER 2265070 | 11/15/53 | WJL | WJL |
| 70 | REVISED PER 2265070 | 11/15/53 | WJL | WJL |
| 71 | REVISED PER 2265070 | 11/15/53 | WJL | WJL |
| 72 | REVISED PER 2265070 | 11/15/53 | WJL | WJL |
| 73 | REVISED PER 2265070 | 11/15/53 | WJL | WJL |
| 74 | REVISED PER 2265070 | 11/15/53 | WJL | WJL |
| 75 | REVISED PER 2265070 | 11/15/53 | WJL | WJL |
| 76 | REVISED PER 2265070 | 11/15/53 | WJL | WJL |
| 77 | REVISED PER 2265070 | 11/15/53 | WJL | WJL |
| 78 | REVISED PER 2265070 | 11/15/53 | WJL | WJL |
| 79 | REVISED PER 2265070 | 11/15/53 | WJL | WJL |
| 80 | REVISED PER 2265070 | 11/15/53 | WJL | WJL |
| 81 | REVISED PER 2265070 | 11/15/53 | WJL | WJL |
| 82 | REVISED PER 2265070 | 11/15/53 | WJL | WJL |
| 83 | REVISED PER 2265070 | 11/15/53 | WJL | WJL |
| 84 | REVISED PER 2265070 | 11/15/53 | WJL | WJL |
| 85 | REVISED PER 2265070 | 11/15/53 | WJL | WJL |
| 86 | REVISED PER 2265070 | 11/15/53 | WJL | WJL |
| 87 | REVISED PER 2265070 | 11/15/53 | WJL | WJL |
| 88 | REVISED PER 2265070 | 11/15/53 | WJL | WJL |
| 89 | REVISED PER 2265070 | 11/15/53 | WJL | WJL |
| 90 | REVISED PER 2265070 | 11/15/53 | WJL | WJL |
| 91 | REVISED PER 2265070 | 11/15/53 | WJL | WJL |
| 92 | REVISED PER 2265070 | 11/15/53 | WJL | WJL |
| 93 | REVISED PER 2265070 | 11/15/53 | WJL | WJL |
| 94 | REVISED PER 2265070 | 11/15/53 | WJL | WJL |
| 95 | REVISED PER 2265070 | 11/15/53 | WJL | WJL |
| 96 | REVISED PER 2265070 | 11/15/53 | WJL | WJL |
| 97 | REVISED PER 2265070 | 11/15/53 | WJL | WJL |
| 98 | REVISED PER 2265070 | 11/15/53 | WJL | WJL |
| 99 | REVISED PER 2265070 | 11/15/53 | WJL | WJL |
| 100 | REVISED PER 2265070 | 11/15/53 | WJL | WJL |

975056

1

2

3

4

5

6

7

8

9

10

11

12

13

14

15

16

17

18

19

20

21

22

23

24

25

26

27

28

29

30

31

32

33

34

35

36

37

38

39

40

41

42

43

44

45

46

47

48

49

50

51

52

53

54

55

56

57

58

59

60

61

62

63

64

65

66

67

68

69

70

71

72

73

74

75

76

77

78

79

80

81

82

83

84

85

86

87

88

89

90

91

92

93

94

95

96

97

98

99

100

10

11

12

13

14

15

16

17

18

19

20

21

22

23

24

25

26

27

28

29

30

31

32

33

34

35

36

37

38

39

40

41

42

43

44

45

46

47

48

49

50

51

52

53

54

55

56

57

58

59

60

61

62

63

64

65

66

67

68

69

70

71

72

73

74

75

76

77

78

79

80

81

82

83

84

85

86

87

88

89

90

91

92

93

94

95

96

97

98

99

100

1000

1001

1002

1003

1004

1005

1006

1007

1008

1009

1010

1011

1012

1013

1014

1015

1016

1017

1018

1019

1020

1021

1022

1023

1024

1025

1026

1027

1028

1029

1030

1031

1032

1033

1034

1035

1036

1037

1038

1039

1040

1041

1042

1043

1044

1045

1046

1047

1048

1049

1050

1051

1052

1053

1054

1055

1056

1057

1058

1059

1060

1061

1062

1063

1064

1065

1066

1067

1068

1069

1070

1071

1072

1073

1074

1075

1076

1077

1078

1079

1080

1081

1082

1083

1084

1085

1086

1087

1088

1089

1090

1091

1092

1093

1094

1095

1096

1097

1098

1099

1100

1100

1101

1102

1103

1104

1105

1106

1107

1108

1109

1110

1111

1112

1113

1114

1115

1116

1117

1118

1119

1120

1121

1122

1123

1124

1125

1126

1127

1128

1129

1130

1131

1132

1133

1134

1135

1136

1137

1138

1139

1140

1141

1142

1143

1144

1145

1146

1147

1148

1149

1150

1151

1152

115

| DATE | DESCRIPTION | AMOUNT | DATE | DESCRIPTION | AMOUNT |
|------|--------------|--------|------|-------------|--------|
| 1 | CHAS. J. ... | | 2 | ... | |
| 2 | ... | | 3 | ... | |
| 3 | ... | | 4 | ... | |
| 4 | ... | | 5 | ... | |
| 5 | ... | | 6 | ... | |
| 6 | ... | | 7 | ... | |
| 7 | ... | | 8 | ... | |
| 8 | ... | | 9 | ... | |
| 9 | ... | | 10 | ... | |
| 10 | ... | | 11 | ... | |
| 11 | ... | | 12 | ... | |
| 12 | ... | | 13 | ... | |
| 13 | ... | | 14 | ... | |
| 14 | ... | | 15 | ... | |
| 15 | ... | | 16 | ... | |
| 16 | ... | | 17 | ... | |
| 17 | ... | | 18 | ... | |
| 18 | ... | | 19 | ... | |
| 19 | ... | | 20 | ... | |
| 20 | ... | | 21 | ... | |
| 21 | ... | | 22 | ... | |
| 22 | ... | | 23 | ... | |
| 23 | ... | | 24 | ... | |
| 24 | ... | | 25 | ... | |
| 25 | ... | | 26 | ... | |
| 26 | ... | | 27 | ... | |
| 27 | ... | | 28 | ... | |
| 28 | ... | | 29 | ... | |
| 29 | ... | | 30 | ... | |
| 30 | ... | | 31 | ... | |
| 31 | ... | | 32 | ... | |
| 32 | ... | | 33 | ... | |
| 33 | ... | | 34 | ... | |
| 34 | ... | | 35 | ... | |
| 35 | ... | | 36 | ... | |
| 36 | ... | | 37 | ... | |
| 37 | ... | | 38 | ... | |
| 38 | ... | | 39 | ... | |
| 39 | ... | | 40 | ... | |
| 40 | ... | | 41 | ... | |
| 41 | ... | | 42 | ... | |
| 42 | ... | | 43 | ... | |
| 43 | ... | | 44 | ... | |
| 44 | ... | | 45 | ... | |
| 45 | ... | | 46 | ... | |
| 46 | ... | | 47 | ... | |
| 47 | ... | | 48 | ... | |
| 48 | ... | | 49 | ... | |
| 49 | ... | | 50 | ... | |
| 50 | ... | | 51 | ... | |
| 51 | ... | | 52 | ... | |
| 52 | ... | | 53 | ... | |
| 53 | ... | | 54 | ... | |
| 54 | ... | | 55 | ... | |
| 55 | ... | | 56 | ... | |
| 56 | ... | | 57 | ... | |
| 57 | ... | | 58 | ... | |
| 58 | ... | | 59 | ... | |
| 59 | ... | | 60 | ... | |
| 60 | ... | | 61 | ... | |
| 61 | ... | | 62 | ... | |
| 62 | ... | | 63 | ... | |
| 63 | ... | | 64 | ... | |
| 64 | ... | | 65 | ... | |
| 65 | ... | | 66 | ... | |
| 66 | ... | | 67 | ... | |
| 67 | ... | | 68 | ... | |
| 68 | ... | | 69 | ... | |
| 69 | ... | | 70 | ... | |
| 70 | ... | | 71 | ... | |
| 71 | ... | | 72 | ... | |
| 72 | ... | | 73 | ... | |
| 73 | ... | | 74 | ... | |
| 74 | ... | | 75 | ... | |
| 75 | ... | | 76 | ... | |
| 76 | ... | | 77 | ... | |
| 77 | ... | | 78 | ... | |
| 78 | ... | | 79 | ... | |
| 79 | ... | | 80 | ... | |
| 80 | ... | | 81 | ... | |
| 81 | ... | | 82 | ... | |
| 82 | ... | | 83 | ... | |
| 83 | ... | | 84 | ... | |
| 84 | ... | | 85 | ... | |
| 85 | ... | | 86 | ... | |
| 86 | ... | | 87 | ... | |
| 87 | ... | | 88 | ... | |
| 88 | ... | | 89 | ... | |
| 89 | ... | | 90 | ... | |
| 90 | ... | | 91 | ... | |
| 91 | ... | | 92 | ... | |
| 92 | ... | | 93 | ... | |
| 93 | ... | | 94 | ... | |
| 94 | ... | | 95 | ... | |
| 95 | ... | | 96 | ... | |
| 96 | ... | | 97 | ... | |
| 97 | ... | | 98 | ... | |
| 98 | ... | | 99 | ... | |
| 99 | ... | | 100 | ... | |

List of Materials

01/28/84

PART NUMBER REV DESCRIPTION.....
 0975056-0010 M CABLE ASSY,EXTN,EIA LINE PRINTER,10FT

| ITEM. | QUANTITY. | COMPONENT.. | DESCRIPTION..... | UM |
|-------|-----------|--------------|---|----|
| 0003 | 00001.000 | 0539409-0005 | CONNECTOR,PLUG 25 PINS AMP -205208-1 | EA |
| 0003A | | | P1 | |
| 0004 | 00001.000 | 0539409-0006 | CONNECTOR,RCPT 25 PINS AMP -205207-1 | EA |
| 0004A | | | P2 | |
| 0005 | 00002.000 | 2210305-0003 | HOOD STRN RLF 45/180DEG,BULK PK 25 POS SEE TI- DRAWING | EA |
| 0007 | 00002.000 | 0406769-0001 | SCREW,SPECIAL,CONNECTOR LOCKING CIE - D20418-2 | EA |
| 0014 | 00001.000 | 0962571-0005 | PLATE, ID, EDP CABLE | EA |
| 0015 | REF | 0948424-9901 | OMNI OPERATION PROC AND TEST FLOW | EA |
| 0101 | 00001.000 | 0975056-5010 | BULK CABLE ASSEMBLY MATERIAL FOR -0010 1629-5050-000 | EA |
| 9999 | 00000.140 | 0239999-9999 | COST, SHRINKAGE | EA |

01/28/84

PART NUMBER REV DESCRIPTION.....
 0975056-5010 M BULK CABLE ASSEMBLY MATERIAL FOR -0010

| ITEM. | QUANTITY. | COMPONENT.. | DESCRIPTION..... | UM |
|-------|-----------|--------------|--|----|
| 0001 | 00010.000 | 0539883-0002 | CABLE 4 COND 2SHIELDED & 2UNSHIELD INSUL | FT |
| 0002 | 00002.000 | 2210317-0001 | LABEL,BLANK,CABLE MARKER 085480-SLPF-19319-4 | EA |
| 0006 | 00000.500 | 2210012-3999 | WIRE,WHT,UL 1429, 19X34, 22AWG 6145-3200-000 | FT |
| 0008 | 00006.000 | 0539430-0004 | CONTACT,SOCKET 24-20AWG .068 INSUL DIA AMP -205201-3 ST | EA |
| 0009 | 00005.000 | 0539430-0003 | CONTACT,PIN 24-20AWG .068 INSUL DIA AMP -205202-2 ST | EA |
| 0010 | 00000.600 | 0972146-0004 | TUBING,.020THK X 1/8 HT SHRINKABLE .125ID 003890-PO135125C1/16" | FT |
| 0017 | 00001.000 | 0538054-0014 | SPLICE,CNDCT, HEAT SHRINKABLE, INSULATED SEE TI- DRAWING | EA |

NOTES: CONTINUED

10 MARK PER 226.5070, LINE 4 TEXT P2 EIA/103A

11 MARK PER 226.5070, LINE 4 TEXT "PI"

12 ITEM 21 IS TO BE FASTENED AROUND THE SLEEVING AND PULLED TIGHT. INSERT SLEEVING WITH TIE WRAP INSIDE THE HOUSING.

4 3 2 1

D

C

A

DATE 12-13-14
SCALE NUMBER C 96214
DRAWING NO. 383848
SHEET 2

4 3 2 1

D

C

B

A

List of Materials

01/28/84

PART NUMBER REV DESCRIPTION.....
 0983848-0001 U CABLE ASSY,EIA 103A INTERFACE

| ITEM. | QUANTITY. | COMPONENT.. | DESCRIPTION..... | UM |
|-------|-----------|--------------|---|----|
| 0001 | 00001.000 | 2210305-0002 | HOOD STRN RLF 45/180DEG,BULK PK 15 POS 000779-2-206478-1 | EA |
| 0002 | 00001.000 | 0539409-0004 | CONNECTOR,RCPT 15 PINS 5935-0200-000 | EA |
| 0002A | | | P1 5935-0200-000 | |
| 0005 | 00001.000 | 0539409-0005 | CONNECTOR,PLUG 25 PINS AMP -205208-1 | EA |
| 0005A | | | P2 AMP -205208-1 | |
| 0006 | 00001.000 | 2210305-0003 | HOOD STRN RLF 45/180DEG,BULK PK 25 POS SEE TI- DRAWING | EA |
| 0010 | REF | 0970671-9901 | OMNI TEST PROGRAM FOR CABLE ASSY,INTFC | EA |
| 0101 | 00001.000 | 0983848-5001 | BULK CABLE ASSEMBLY MATERIAL FOR -0001 1224-0848-119 | EA |

01/28/84

PART NUMBER REV DESCRIPTION.....
 0983848-5001 U BULK CABLE ASSEMBLY MATERIAL FOR -0001

| ITEM. | QUANTITY. | COMPONENT.. | DESCRIPTION..... | UM |
|-------|-----------|--------------|--|----|
| 0003 | 00007.000 | 0539430-0004 | CONTACT,SOCKET 24-20AWG .068 INSUL DIA AMP -205201-3 ST | EA |
| 0007 | 00002.000 | 2210317-0001 | LABEL,BLANK,CABLE MARKER 085480-SLPF-19319-4 | EA |
| 0008 | 00006.500 | 0972444-0015 | CABLE,#22 AWG 7 COND 1061/2464 UL STYLE 054387-2506226 | FT |
| 0009 | 00007.000 | 0539430-0003 | CONTACT,PIN 24-20AWG .068 INSUL DIA AMP -205202-2 ST | EA |
| 0011 | 00001.000 | 0962571-0005 | PLATE, ID, EDP CABLE | EA |
| 0012 | 00001.000 | 0532997-0013 | BAG,POLYETHYLENE,3X6 | EA |
| 0021 | 00002.000 | 0972632-0001 | STRAP,TIE DOWN,CABLE-NON-STD,0-1-1/4 D. | EA |
| 9997 | 00000.000 | 0239999-5000 | COST, SHRINKAGE CABLE BULK MATERIAL | EA |

List of Materials

01/28/84

| PART NUMBER | REV | DESCRIPTION..... | UM | |
|--------------|-----------|-----------------------------|---|----|
| 0993204-0001 | F | CABLE ASSY,103/113 DATA SET | | |
| ITEM. | QUANTITY. | COMPONENT.. | DESCRIPTION..... | UM |
| 0001 | 00002.000 | 0539409-0005 | CONNECTOR,PLUG 25 PINS AMP -205208-1 | EA |
| 0002 | 00002.000 | 2210305-0003 | HOOD STRN RLF 45/180DEG,BULK PK 25 POS SEE TI- DRAWING | EA |
| 0008 | 00REF 000 | 2265070-0001 | SPEC, PRE-PRINTED CABLE MARKER | EA |
| 0101 | 00001.000 | 0993204-5001 | BULK CABLE ASSEMBLY MATERIAL FOR -0001 1225-0204-000 | EA |

01/28/84

| PART NUMBER | REV | DESCRIPTION..... | UM | |
|--------------|-----------|--|---|----|
| 0993204-5001 | F | BULK CABLE ASSEMBLY MATERIAL FOR -0001 | | |
| ITEM. | QUANTITY. | COMPONENT.. | DESCRIPTION..... | UM |
| 0003 | 00020.000 | 0539430-0003 | CONTACT,PIN 24-20AWG .068 INSUL DIA AMP -205202-2 ST | EA |
| 0005 | 00006.500 | 0972444-0001 | CABLE, 10 COND 22AWG UL LISTED | FT |
| 0006 | 00002.000 | 2210317-0001 | LABEL,BLANK,CABLE MARKER 085480-SLPF-19319-4 | EA |
| 0007 | 00001.000 | 0962571-0005 | PLATE, ID, EDP CABLE | EA |

List of Materials

05/12/84

| PART NUMBER | REV | DESCRIPTION..... | | |
|--------------|-----------|------------------------------|---|----|
| 0993205-0001 | F | CABLE ASSY, 202/212 DATA SET | | |
| ITEM. | QUANTITY. | COMPONENT.. | DESCRIPTION..... | UM |
| 0001 | 00002.000 | 0539409-0005 | CONNECTOR, PLUG 25 PINS | EA |
| 0002 | 00002.000 | 0539903-0001 | AMP -205208-1 HOOD, CONN 25 PIN WITH RETAINERS | EA |
| 0009 | 00001.000 | 2265070-0001 | AMP - 206478-3 SPEC, PRE-PRINTED CABLE MARKER | EA |
| 0101 | 00001.000 | 0993205-5001 | BULK CABLE ASSY MATERIAL FOR -0001 1221-0205-063 | EA |

05/12/84

| PART NUMBER | REV | DESCRIPTION..... | | |
|--------------|-----------|------------------------------------|--|----|
| 0993205-5001 | F | BULK CABLE ASSY MATERIAL FOR -0001 | | |
| ITEM. | QUANTITY. | COMPONENT.. | DESCRIPTION..... | UM |
| 0003 | 00024.000 | 0539430-0003 | CONTACT, PIN 24-20AWG .068 INSUL DIA AMP -205202-2 ST | EA |
| 0005 | 00006.500 | 0972444-0005 | CABLE, 12COND 22AWG UL LISTED G19007-6914UL | FT |
| 0007 | 00001.000 | 0962571-0005 | PLATE, ID, EDP CABLE | EA |
| 0010 | 00002.000 | 2210317-0001 | LABEL, BLANK, CABLE MARKER 085480-5LPE-19319-4 | EA |

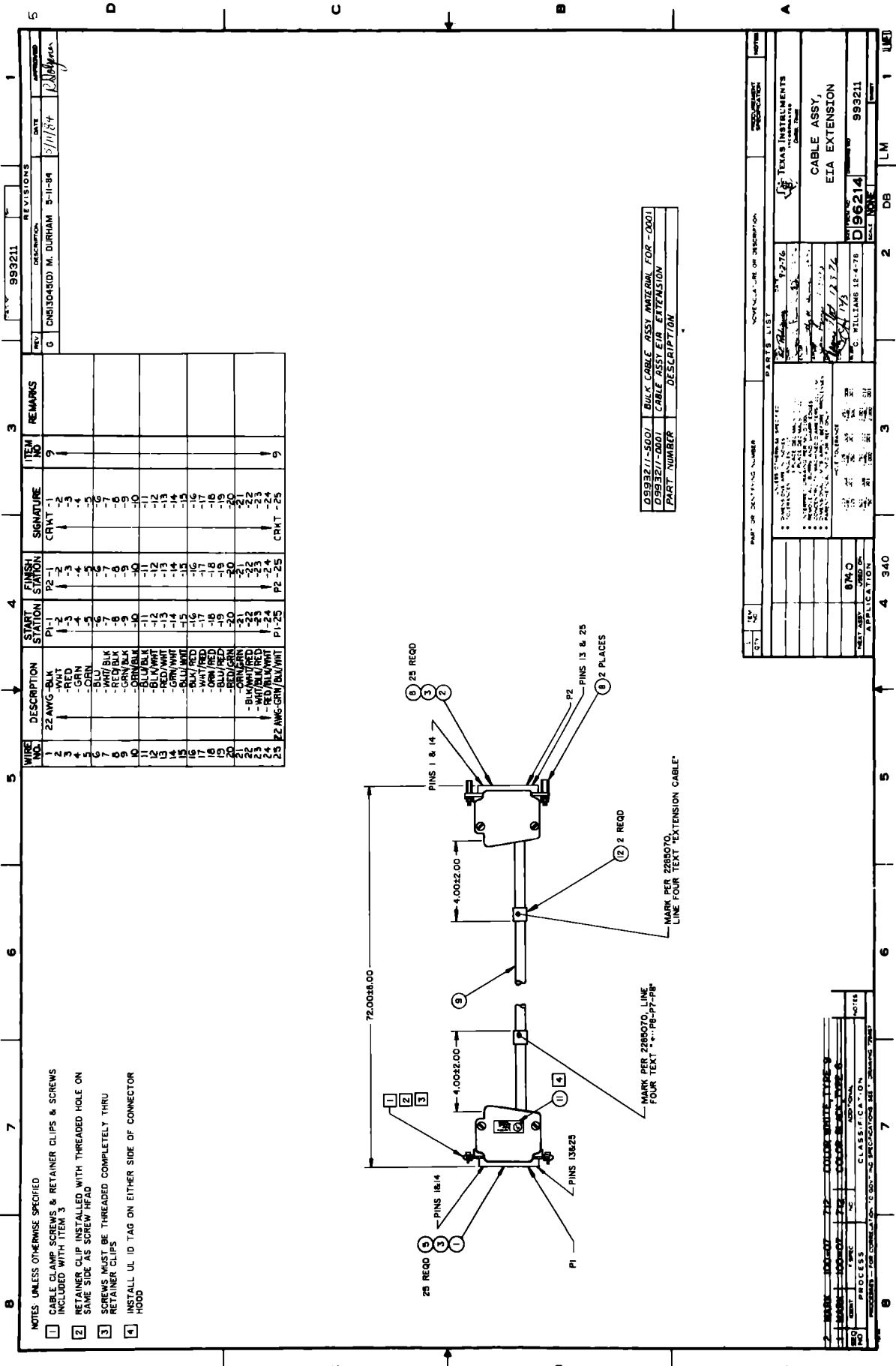
List of Materials

01/28/84

| PART NUMBER | REV | DESCRIPTION..... | | |
|--------------|-----------|--------------------------|--|----|
| 0993210-0001 | L | CABLE ASSY,DATA TERMINAL | | |
| ITEM. | QUANTITY. | COMPONENT.. | DESCRIPTION..... | UM |
| 0001 | 00001.000 | 0539409-0005 | CONNECTOR,PLUG 25 PINS AMP -205208-1 | EA |
| 0002 | 00001.000 | 0539409-0006 | CONNECTOR,RCPT 25 PINS AMP -205207-1 | EA |
| 0003 | 00002.000 | 2210305-0003 | HOOD STRN RLF 45/180DEG,BULK PK 25 POS SEE TI- DRAWING | EA |
| 0008 | 00001.000 | 0808129-0001 | CONNECTOR,ELECT SCREW-LOCK ASSY FEMALE 081349-M24308/26-1 | EA |
| 0101 | 00001.000 | 0993210-5001 | BULK CABLE ASSY MATERIAL FOR -0001 1221-0210-045 | EA |

02/04/84

| PART NUMBER | REV | DESCRIPTION..... | | |
|--------------|-----------|------------------------------------|---|----|
| 0993210-5001 | L | BULK CABLE ASSY MATERIAL FOR -0001 | | |
| ITEM. | QUANTITY. | COMPONENT.. | DESCRIPTION..... | UM |
| 0005 | 00014.000 | 0539430-0003 | CONTACT,PIN 24-20AWG .068 INSUL DIA AMP -205202-2 ST | EA |
| 0006 | 00013.000 | 0539430-0004 | CONTACT,SOCKET 24-20AWG .068 INSUL DIA AMP -205201-3 ST | EA |
| 0009 | 00006.500 | 0972444-0005 | CABLE,12COND 22AWG UL LISTED 019007-6914UL | FT |
| 0010 | AR 000 | 2210012-1999 | WIRE,ELECT,WHT,26 AWG,19 X 38,U/L 1429 090484-SEE TI DWG | FT |
| 0012 | 00001.000 | 0962571-0005 | PLATE, ID, EDP CABLE | EA |
| 0013 | 00002.000 | 2210317-0001 | LABEL,BLANK,CABLE MARKER 085480-SLPF-19319-4 | EA |
| 0014 | REF | 2265070-0001 | SPEC, PRE-PRINTED CABLE MARKER | EA |



- NOTES - UNLESS OTHERWISE SPECIFIED
- 1 CABLE CLAMP SCREWS, & RETAINER CLIPS & SCREWS INCLUDED WITH ITEM 3
 - 2 RETAINER CLIP INSTALLED WITH THREADED HOLE ON SAME SIDE AS SCREW HEAD
 - 3 SCREWS MUST BE THREADED COMPLETELY THRU RETAINER CLIPS
 - 4 INSTALL UL ID TAG ON EITHER SIDE OF CONNECTOR HOOD

| REV | DESCRIPTION | DATE | BY | APPROVED |
|-----|------------------------|---------|----|----------|
| G | CHN(3045)(D) M. DURHAM | 5/11/84 | | |

| REV | DESCRIPTION | DATE | BY | APPROVED |
|-----|------------------------|---------|----|----------|
| G | CHN(3045)(D) M. DURHAM | 5/11/84 | | |

| WIRE NO. | DESCRIPTION | START STATION | FINISH STATION | SIGNATURE | ITEM NO. | REMARKS |
|----------|--------------------|---------------|----------------|-----------|----------|---------|
| 1 | 22 AWG-BLK | P1-1 | P2-1 | CRKT-1 | 9 | |
| 2 | -RED | P1-2 | P2-2 | CRKT-2 | | |
| 3 | -GRN | P1-3 | P2-3 | CRKT-3 | | |
| 4 | -BLU | P1-4 | P2-4 | CRKT-4 | | |
| 5 | -WHI/BLK | P1-5 | P2-5 | CRKT-5 | | |
| 6 | -RED/BLK | P1-6 | P2-6 | CRKT-6 | | |
| 7 | -GRN/BLK | P1-7 | P2-7 | CRKT-7 | | |
| 8 | -BLU/BLK | P1-8 | P2-8 | CRKT-8 | | |
| 9 | -WHI/GRN | P1-9 | P2-9 | CRKT-9 | | |
| 10 | -RED/GRN | P1-10 | P2-10 | CRKT-10 | | |
| 11 | -BLU/GRN | P1-11 | P2-11 | CRKT-11 | | |
| 12 | -WHI/WHI | P1-12 | P2-12 | CRKT-12 | | |
| 13 | -RED/WHI | P1-13 | P2-13 | CRKT-13 | | |
| 14 | -GRN/WHI | P1-14 | P2-14 | CRKT-14 | | |
| 15 | -BLU/WHI | P1-15 | P2-15 | CRKT-15 | | |
| 16 | -WHI/RED | P1-16 | P2-16 | CRKT-16 | | |
| 17 | -GRN/RED | P1-17 | P2-17 | CRKT-17 | | |
| 18 | -BLU/RED | P1-18 | P2-18 | CRKT-18 | | |
| 19 | -WHI/BLK | P1-19 | P2-19 | CRKT-19 | | |
| 20 | -RED/BLK | P1-20 | P2-20 | CRKT-20 | | |
| 21 | -GRN/BLK | P1-21 | P2-21 | CRKT-21 | | |
| 22 | -WHI/WHI | P1-22 | P2-22 | CRKT-22 | | |
| 23 | -RED/WHI | P1-23 | P2-23 | CRKT-23 | | |
| 24 | -GRN/WHI | P1-24 | P2-24 | CRKT-24 | | |
| 25 | 22 AWG-SRV/BLU/WHI | P1-25 | P2-25 | CRKT-25 | 9 | |

| REV | DESCRIPTION | DATE | BY | APPROVED |
|-----|------------------------|---------|----|----------|
| G | CHN(3045)(D) M. DURHAM | 5/11/84 | | |

| REV | DESCRIPTION |
|--------------|------------------------------------|
| 0993217-5001 | BULK CABLE ASSY MATERIAL FOR -0001 |
| 0993217-0001 | CABLE ASSY EIA EXTENSION |

| REV | DESCRIPTION | DATE | BY | APPROVED |
|-----|------------------------|---------|----|----------|
| G | CHN(3045)(D) M. DURHAM | 5/11/84 | | |

| REV | DESCRIPTION | DATE | BY | APPROVED |
|-----|------------------------|---------|----|----------|
| G | CHN(3045)(D) M. DURHAM | 5/11/84 | | |

| REV | DESCRIPTION | DATE | BY | APPROVED |
|-----|------------------------|---------|----|----------|
| G | CHN(3045)(D) M. DURHAM | 5/11/84 | | |

| REV | DESCRIPTION | DATE | BY | APPROVED |
|-----|------------------------|---------|----|----------|
| G | CHN(3045)(D) M. DURHAM | 5/11/84 | | |

| REV | DESCRIPTION | DATE | BY | APPROVED |
|-----|------------------------|---------|----|----------|
| G | CHN(3045)(D) M. DURHAM | 5/11/84 | | |

| REV | DESCRIPTION | DATE | BY | APPROVED |
|-----|------------------------|---------|----|----------|
| G | CHN(3045)(D) M. DURHAM | 5/11/84 | | |

List of Materials

01/28/84

PART NUMBER REV DESCRIPTION.....
 0993211-0001 G CABLE ASSY,EIA EXTENSION

| ITEM. | QUANTITY. | COMPONENT.. | DESCRIPTION..... | UM |
|-------|-----------|--------------|--|----|
| 0001 | 00001.000 | 0539409-0005 | CONNECTOR,PLUG 25 PINS AMP -205208-1 | EA |
| 0002 | 00001.000 | 0539409-0006 | CONNECTOR,RCPT 25 PINS AMP -205207-1 | EA |
| 0003 | 00002.000 | 2210305-0003 | HOOD STRN RLF 45/180DEG,BULK PK 25 POS SEE TI- DRAWING | EA |
| 0008 | 00001.000 | 0808129-0001 | CONNECTOR,ELECT SCREW-LOCK ASSY FEMALE 081349-M24308/26-1 | EA |
| 0013 | REF | 2265070-0001 | SPEC, PRE-PRINTED CABLE MARKER | EA |
| 0101 | 00001.000 | 0993211-5001 | BULK CABLE ASSY MATERIAL FOR -0001 1221-0211-000 | EA |

02/04/84

PART NUMBER REV DESCRIPTION.....
 0993211-5001 G BULK CABLE ASSY MATERIAL FOR -0001

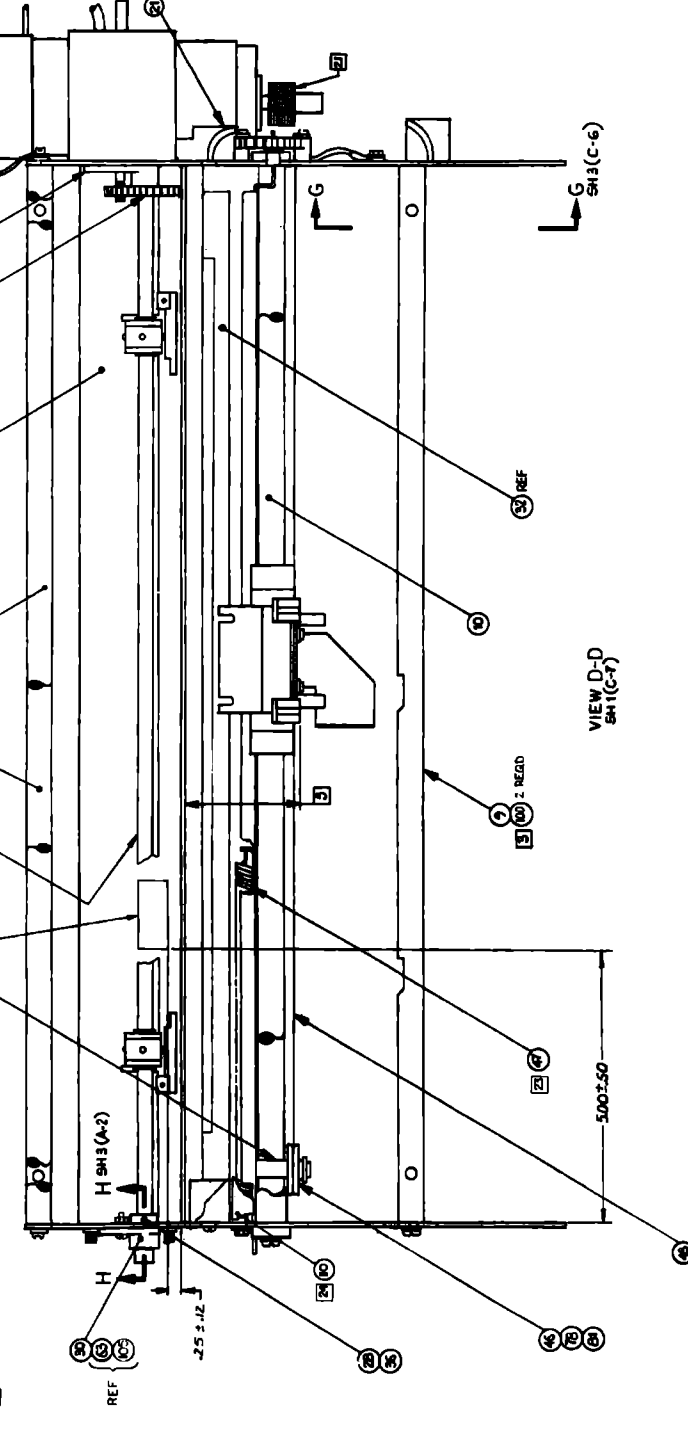
| ITEM. | QUANTITY. | COMPONENT.. | DESCRIPTION..... | UM |
|-------|-----------|--------------|--|----|
| 0005 | 00025.000 | 0539430-0003 | CONTACT,PIN 24-20AWG .068 INSUL DIA AMP -205202-2 ST | EA |
| 0006 | 00025.000 | 0539430-0004 | CONTACT,SOCKET 24-20AWG .068 INSUL DIA AMP -205201-3 ST | EA |
| 0009 | 00006.500 | 0972444-0006 | CABLE,25COND 22AWG UL LISTED 019007-6918UL | FT |
| 0011 | 00001.000 | 0962571-0005 | PLATE, ID, EDP CABLE | EA |
| 0012 | 00002.000 | 2210317-0001 | LABEL,BLANK,CABLE MARKER 085480-SLPP-19319-4 | EA |

NOTES: CONT D
 (1) MARK, DATE, CODE AND SERIAL NUMBER ON ITEM 64 PER PROCESS 1 AND ITEM 65 WHERE SHOWN. MARK ASSEMBLY NUMBER AND REV LETTER ON ITEM 64 PER PROCESS 1 AS SHOWN.
 (2) ASSEMBLE ITEMS 12 & 31 SO THAT ASSEMBLY MEETS DIM SHOWN ON 3A11(C-7).
 (3) APPLIES AT LOCATIONS DIRECTLY BELOW THE TWO BOTTOM SPACER MOUNTING HOLES.
 (4) ORIENT MTR SO THAT MTR CABLE EXITS IN POSITION SHOWN.
 (5) TIGHTEN TO 9 ± 1 IN-LB.

(6) USE SMALL AMOUNT OF ITEM 92 AT INTERFACE OF ITEMS 2, 9 AND 3.
 (7) ADJUST SCREW TO ACHIEVE ZERO PLAY BETWEEN CARTRIDGE LIT AND BEZEL INCLUDING PLATE ON CARTRIDGE. EXCESSIVE TIGHTENING SCREW WILL CAUSE EXCESSIVE FRICTION IN LOWER GUIDE ROD (0001 & 0002 ONLY).
 (8) (0003 THRU -0007 ONLY)

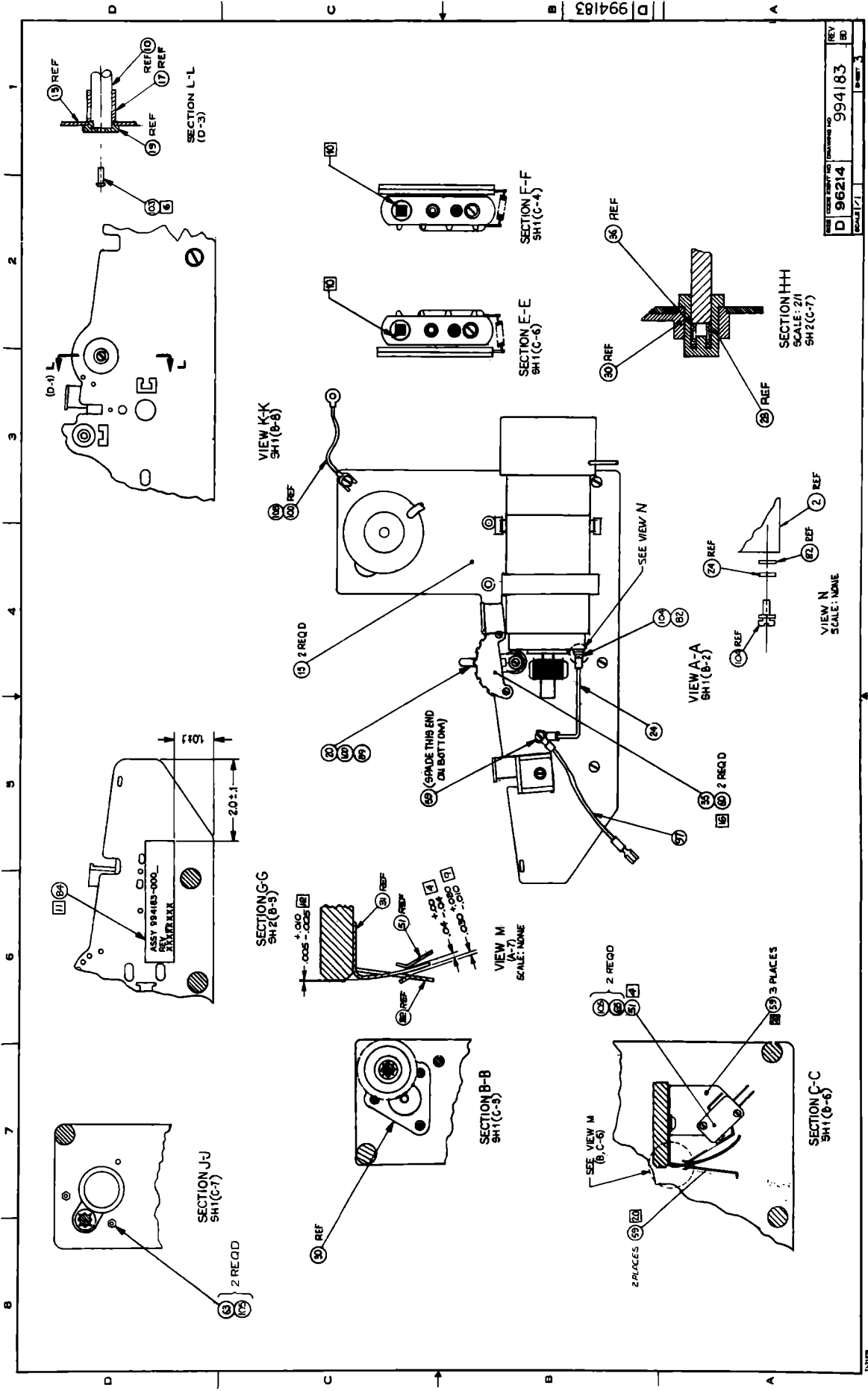
(9) APPLY LUBRICANT (ITEM 92) TO IDLER PULLEY SUPPORT (ITEM 14) WHERE SUPPORT PASSES THRU SIDE PLATES (ITEM 15) TIGHTEN TO 20 ± 2 IN-LBS AFTER POSITIONING COMPONENT.
 (10) THERE SHOULD BE 1 TO 1 1/8 TURNS OF WIRE ROPE REMAINING ON MOTOR END OF CAPSTAN WHEN BUMPER IS AGAINST LEFT BUMPER.
 (11) TIGHTEN TO 8 ± 1 IN-LB.

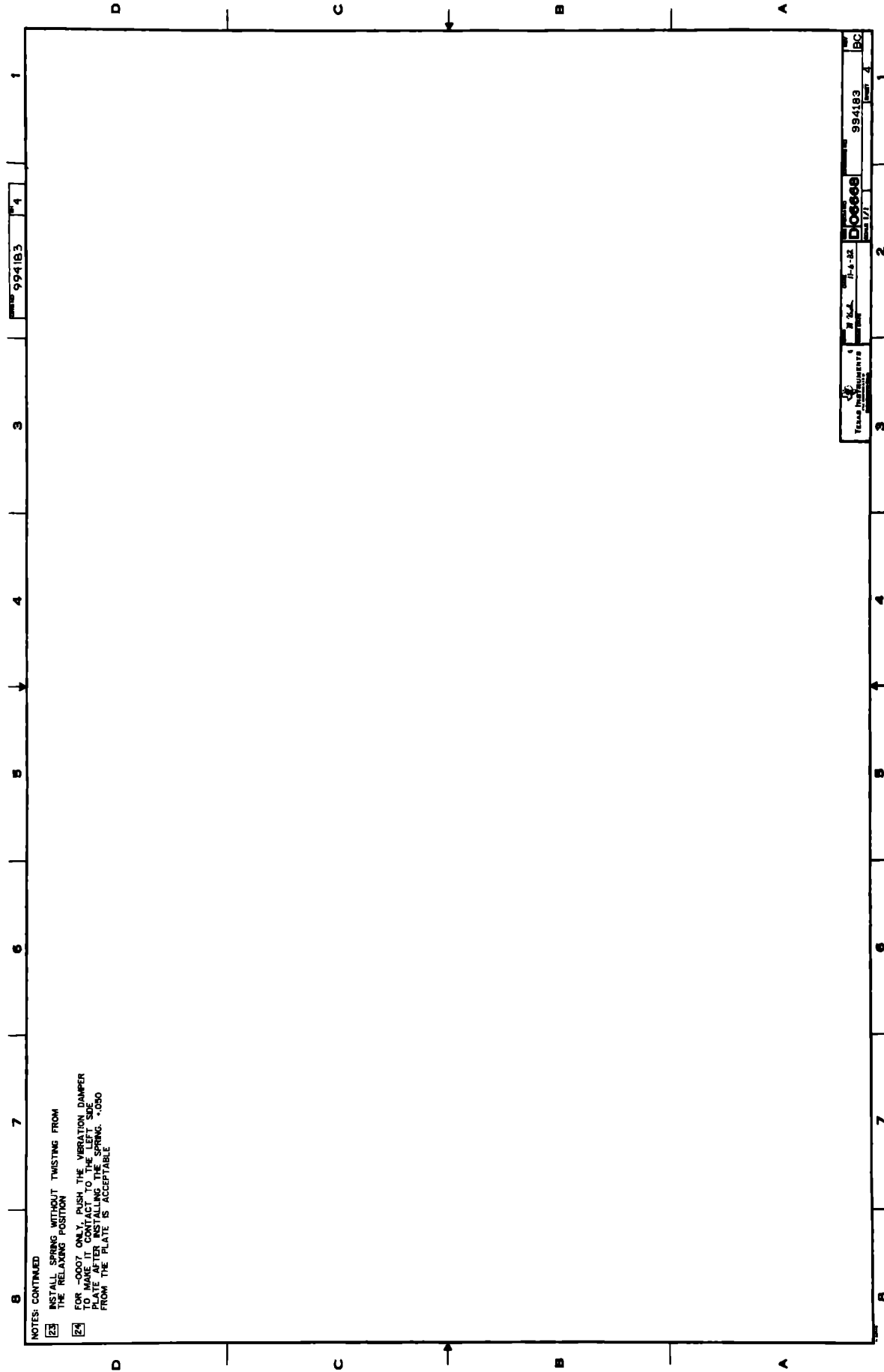
(12) REF
 (13) REF
 (14) REF
 (15) REF
 (16) REF
 (17) REF
 (18) REF
 (19) REF
 (20) REF
 (21) REF
 (22) REF
 (23) REF
 (24) REF
 (25) REF
 (26) REF
 (27) REF
 (28) REF
 (29) REF
 (30) REF
 (31) REF
 (32) REF
 (33) REF
 (34) REF
 (35) REF
 (36) REF
 (37) REF
 (38) REF
 (39) REF
 (40) REF
 (41) REF
 (42) REF
 (43) REF
 (44) REF
 (45) REF
 (46) REF
 (47) REF
 (48) REF
 (49) REF
 (50) REF
 (51) REF
 (52) REF
 (53) REF
 (54) REF
 (55) REF
 (56) REF
 (57) REF
 (58) REF
 (59) REF
 (60) REF
 (61) REF
 (62) REF
 (63) REF
 (64) REF
 (65) REF
 (66) REF
 (67) REF
 (68) REF
 (69) REF
 (70) REF
 (71) REF
 (72) REF
 (73) REF
 (74) REF
 (75) REF
 (76) REF
 (77) REF
 (78) REF
 (79) REF
 (80) REF
 (81) REF
 (82) REF
 (83) REF
 (84) REF
 (85) REF
 (86) REF
 (87) REF
 (88) REF
 (89) REF
 (90) REF
 (91) REF
 (92) REF
 (93) REF
 (94) REF
 (95) REF
 (96) REF
 (97) REF
 (98) REF
 (99) REF
 (100) REF



| PART NUMBER | DESCRIPTION | CONT FROM 3A1 |
|-------------|---|---------------|
| 99483-0004 | CARR & PAPER DR, BO (0/0/8) CPT--SPARES | |
| 99483-0003 | CARR & PAPER DR, BO (00CPD)-SPARES | |
| 99483-0007 | CARRIAGE & PAPER DRIVE ASSY, BBO DP | |
| 99483-0006 | CARR SPAPER DRIVE, BO LQ (0/0/8) CPT | |
| 99483-0005 | CARR & PAPER DRIVE, BO LQ (00 CP) | |

| | | |
|-----|-------|--------|
| REV | DATE | BY |
| D | 96214 | 994183 |
| BC | | |





23 NOTES: CONTINUED
 INSTALL SPRING WITHOUT TWISTING FROM
 THE RELAXING POSITION
 24 FOR HOIST ONLY, PUSH THE VIBRATION DAMPER
 TO THE RIGHT, ONLY AFTER THE SPRING IS
 PLATE AFTER INSTALLING THE SPRING. .0500
 FROM THE PLATE IS ACCEPTABLE

List of Materials

07/14/84

| PART NUMBER | REV | DESCRIPTION..... | UM |
|--------------|-----------|--|--|
| 0994183-0001 | BD | CARR & PAPER DRIVE,810 (REPLACED BY-3) | |
| ITEM. | QUANTITY. | COMPONENT.. | DESCRIPTION..... UM |
| 0001 | 00001.000 | 0994239-0001 | CARRIAGE ASSY,PRINT HEAD EA |
| 0002 | 00001.000 | 2232582-0001 | 0000-0000-000 CARRIAGE MOTOR-ENCODER ASSY,10 CPI EA |
| 0002A | | | 1225- -000 *ITEM 58 IS AN ALTERNATE 1225- -000 |
| 0003 | 00001.000 | 0994207-0001 | MOTOR ASSY,810,PAPER DRIVE EA |
| 0007 | 00001.000 | 0994185-0001 | 1225-1207-163 SPACER,UPPER EA |
| 0008 | 00001.000 | 0994186-0001 | 1680-0185-123 SPACER,LOWER REAR EA |
| 0009 | 00001.000 | 0994187-0001 | 1680-0186-121 SPACER,LOWER FRONT EA |
| 0010 | 00001.000 | 0994188-0001 | 1680-0187-114 ROD,UPPER GUIDE EA |
| 0011 | 00001.000 | 0994189-0001 | 1680-0188-000 ROD,LOWER GUIDE,810 EA |
| 0012 | 00001.000 | 0999724-0001 | 1680-0189-123 PLATEN, 810/820/880 EA |
| 0013 | 00001.000 | 0994191-0001 | 1680-2724-500 CLAMP,WIRE RCPE EA |
| 0014 | 00001.000 | 0994194-0001 | 1680-0191-055 SUPPORT,IDLER PULLEY EA |
| 0015 | 00002.000 | 0994184-0001 | 1680-0194-204 SIDE PLATE,DRIVE MECHANISM EA |
| 0016 | 00001.000 | 0994195-0001 | 1680-4184-061 SPACER,IDLER PULLEY EA |
| 0017 | 00002.000 | 0994196-0001 | 1680-0195-047 BUMPER,CARRIAGE EA |
| 0019 | 00001.000 | 0994197-0001 | BUSHING,GUIDE ROD EA |
| 0020 | 00001.000 | 0994198-0001 | 1255-0074-030 LEVER,PRINTHEAD ADJUSTMENT EA |
| 0021 | 00001.000 | 0994200-0001 | 1255-0006-025 CRADLE,MOTOR EA |
| 0022 | 00001.000 | 0994201-0001 | 1255-0007-023 STRAP,MOTOR EA |
| 0023 | 00001.000 | 0994202-0001 | 1680-0201-039 NUT,MOTOR STRAP EA |
| 0024 | 00001.000 | 0960967-0003 | 1680-0202-203 LEAD,ELECTRICAL-GND EA |
| 0026 | 00001.000 | 0994172-0001 | 1225-3567-071 DRIVE SHAFT,TRACTOR EA |
| 0027 | 00001.000 | 0994209-0001 | 1680-0072-061 ROD,TRACTOR SUPPORT EA |
| 0028 | 00001.000 | 0994173-0001 | 1680-0209-090 HUB,PAPER ADVANCE EA |
| 0029 | 00001.000 | 0994453-0001 | 1255-0001-028 GEAR ASSY, PAPER ADVANCE (810) EA |
| 0030 | 00002.000 | 0994175-0001 | 1225-1453-000 BEARING,PAPER ADVANCE EA |
| 0031 | 00001.000 | 0994210-0001 | 1255-0003-030 PAPER GUIDE,PLATEN EA |
| 0032 | 00001.000 | 0999725-0001 | 1680-0210-088 RETAINER, PAPER-PLATEN EA |
| 0035 | 00001.000 | 0994232-0001 | 1684-1725-066 SCALE,HEAD GAP EA |
| 0036 | 00001.000 | 0994302-0001 | 1255-0017-027 SPRING,COMPRESSION-PAPER DRIVE SHAFT EA |

List of Materials

07/14/84

| PART NUMBER | REV | DESCRIPTION..... | UM | |
|--------------|-----------|--|---|----|
| 0994183-0001 | BD | CARR & PAPER DRIVE,810 (REPLACED BY-3) | | |
| ITEM. | QUANTITY. | COMPONENT.. | DESCRIPTION..... | UM |
| 0037 | 00001.000 | 0994260-0001 | GUIDE,UPPER LEFT-RIBBON 1255-0019-029 | EA |
| 0038 | 00001.000 | 0994261-0001 | GUIDE,LOWER RIGHT-RIBBON 1255-0020-029 | EA |
| 0041 | 00000.000 | 2210148-0003 | PAPER TRACTOR, DATA, PAIR SEE TI- DRAWING | PR |
| 0041A | | | *ALTERNATE FOR ITEM 107 SEE TI- DRAWING | |
| 0046 | 00001.000 | 0994241-0001 | PULLEY ASSY, IDLER | EA |
| 0047 | 00001.000 | 0994263-0001 | SPRING, TENSION WIRE ROPE | EA |
| 0048 | 00001.000 | 0994233-0001 | WIRE ROPE, DRIVE MECHANISM | EA |
| 0049 | 00001.000 | 0972405-0199 | BEARING, SLEEVE BRONZE OIL-IMPREGNATED | EA |
| 0051 | 00001.000 | 0996169-0001 | SWITCH, SENSITIVE 1620-0000-000 | EA |
| 0054 | 00001.000 | 0411778-0005 | RING, RETAINING, EXTERNAL BOWED WAL - 5139-31 | EA |
| 0055 | 00001.000 | 0416402-4031 | RING, RETAINING, EXTERNAL "E" | EA |
| 0059 | 00008.000 | 2220775-0030 | SCREW, TAPTITE, 6-32X.375 HEX HD SEE TI- DWG | EA |
| 0060 | 00002.000 | 0972684-0013 | SCREW, THD FRMG, HEX-WASHR HD, 6-32X.625LG | EA |
| 0063 | 00002.000 | 0972988-0015 | SCREW 4-40 X .375 PAN HEAD CRES 1202-5001-000 | EA |
| 0065 | 00002.000 | 0972988-0018 | SCREW 4-40 X .625 PAN HEAD CRES | EA |
| 0078 | 00001.000 | 0411104-0138 | WASHER, LOCK-SPRING, HELICAL, #10 QPL - MS35338-138 | EA |
| 0081 | 00001.000 | 0416453-0024 | NUT, #10 HEX SMALL PATTERN | EA |
| 0082 | 00001.000 | 0411101-0058 | LOCKWASHER #6 EXTERNAL TOOTH CRES QPL - MS35335-58 | EA |
| 0083 | AR | 0199594-0001 | LUBRICANT-1 CZ. BOTTLE 1611-0858-074 | EA |
| 0084 | 00001.000 | 0232208-3500 | LABEL WIRE MARKER DATABS VINYL CLGTH 1286-2208-000 | EA |
| 0085 | REF | 0994396-9901 | PROCEDURE, SITE & DATE CODE SERIALIZATION | EA |
| 0089 | 00001.000 | 0994454-0001 | SPRING, GRCLNDING 1680-1454-031 | EA |
| 0090 | 00002.000 | 0972969-0006 | SCREW #6-20 X 1/2 LG THD PL HEX WASHER | EA |
| 0092 | AR | 0232334-6050 | LUBRICANT SILICONE GRS LT GR 2 OZ TUBE 001139-G322L 1.7 OZ T | TU |
| 0095 | 00000.000 | 0996158-0003 | TRACTOR, PAPER, PREC. PR RT & LF HAND 1225-6158-000 | EA |
| 0095A | | | *ALTERNATE FOR ITEM 107 1225-6158-000 | |
| 0097 | 00001.000 | 0994444-0001 | GROUND LEAD, 6 INCH 1225-1444-082 | EA |
| 0098 | 00000.000 | 0994546-0001 | MOTOR ASSY, CARR DR, 10 CPI, 810/820 0000-0000-000 | EA |
| 0098A | | | *ALTERNATE FOR ITEM 2 0000-0000-000 | |
| 0098B | | | *REQUIRES ITEM 99 0000-0000-000 | |
| 0099 | 00000.000 | 2210557-0003 | CABLE 10-CONDUCTOR | EA |

List of Materials

07/14/84

| PART NUMBER | REV | DESCRIPTION..... | |
|--------------|-----------|--|--|
| 0994183-0001 | BD | CARR & PAPER DRIVE,810 (REPLACED BY-3) | |
| ITEM. | QUANTITY. | COMPONENT.. | DESCRIPTION..... UM |
| 0099A | | | *USED WITH ITEM 98 |
| 0100 | 00009.000 | 2210084-0033 | SEMS, PAN HEAD, SLOTTED, 3/8 LONG SEE TI- DRAWING EA |
| 0101 | 00003.000 | 2211692-0005 | SEMS,4-40X.437,PAN HEAD,CONE WASHER SEE TI- DRAWING EA |
| 0102 | 00001.000 | 0972988-0031 | SCREW 6-32 X .625 PAN HEAD CRES EA |
| 0103 | 00001.000 | 2211978-0003 | SCREW,SEMS,PAN HD.,CAMGRIP SELF-LCCK SEE TI- DRAWING EA |
| 0104 | 00002.000 | 2210084-0014 | SEMS,PNH, SLTD, EXT TOOTH 32UNC-2A,.375L EA |
| 0105 | 00004.000 | 2210006-0001 | ASSY,HEX NUT,LOCKWASHERS, 4-40 EA |
| 0106 | 00004.000 | 2211967-0010 | 092550-SEE DRAWING SCREW,CAP,SEMS,HEX-SOCKET HEAD,B.O. EA |
| 0107 | 00001.000 | 2220316-0001 | TRACTOR,PAIR, .142" DIA PIN,4 TEETH IN PR SEE TI- DRAWING |
| 0107A | | | *ITEMS 41 & 55 ARE SEE TI- DRAWING |
| 0107B | | | *ALTERNATE SEE TI- DRAWING |
| 0108 | 00001.000 | 0960967-0004 | LEAD ELECTRICAL EA |
| 0109 | 00001.000 | 0411104-0136 | 1225-4567-G13 WASHER, LOCK-SPRING, HELICAL, #6 EA |
| 9998 | 00001.000 | 0239999-9998 | CPL - MS35338-136 COST, AS REQUIRED EA |
| 9999 | 00002.000 | 0239999-9999 | COST, SHRINKAGE EA |

07/14/84

| PART NUMBER | REV | DESCRIPTION..... | |
|--------------|-----------|---|---|
| 0994183-0002 | BC | CARR & PAPER DRIVE,810 (REPLACED BY -4) | |
| ITEM. | QUANTITY. | COMPONENT.. | DESCRIPTION..... UM |
| 0001 | 00001.000 | 0994239-0001 | CARRIAGE ASSY,PRINT HEAD EA |
| 0002 | 00001.000 | 2232582-0002 | 0000-0000-000 CARRIAGE MOTOR-ENCODER ASSY,10/16.5 CPI EA |
| 0002A | | | 1225- -000 *ITEM 98 IS AN ALTERNATE |
| 0003 | 00001.000 | 0994207-0001 | 1225- -000 MOTOR ASSY,810,PAPER DRIVE EA |
| 0007 | 00001.000 | 0994185-0001 | 1225-1207-163 SPACER,UPPER EA |
| 0008 | 00001.000 | 0994186-0001 | 1680-0185-123 SPACER,LOWER REAR EA |
| 0009 | 00001.000 | 0994187-0001 | 1680-0186-121 SPACER,LOWER FRONT EA |
| 0010 | 00001.000 | 0994188-0001 | 1680-0187-114 ROD,UPPER GUIDE EA |
| 0011 | 00001.000 | 0994189-0001 | 1680-0188-000 ROD,LOWER GUIDE,810 EA |
| 0012 | 00001.000 | 0999724-0001 | 1680-0189-123 PLATEN, 810/820/880 EA |
| | | | 1680-2724-500 |

List of Materials

07/14/84

| PART NUMBER | REV | DESCRIPTION..... | UM | |
|--------------|-----------|--|--|----|
| 0994183-0002 | BD | CARR & PAPER DRIVE, 810 (REPLACED BY -4) | | |
| ITEM. | QUANTITY. | COMPONENT.. | DESCRIPTION..... | UM |
| 0013 | 00001.000 | 0994191-0001 | CLAMP, WIRE RCPE 1680-0151-055 | EA |
| 0014 | 00001.000 | 0994194-0001 | SUPPCRT, IDLER PULLEY 1680-0194-204 | EA |
| 0015 | 00002.000 | 0994184-0001 | SIDE PLATE, DRIVE MECHANISM 1680-4184-061 | EA |
| 0016 | 00001.000 | 0994195-0001 | SPACER, IDLER PULLEY 1680-0195-C47 | EA |
| 0017 | 00002.000 | 0994196-0001 | BUMPER, CARRIAGE | EA |
| 0019 | 00001.000 | 0994197-0001 | BUSHING, GUIDE RCD 1255-0C74-030 | EA |
| 0020 | 00001.000 | 0994198-0001 | LEVER, PRINTHEAD ADJUSTMENT 1255-0C06-025 | EA |
| 0021 | 00001.000 | 0994200-0001 | CRADLE, MOTOR 1255-0C07-C23 | EA |
| 0022 | 00001.000 | 0994201-0001 | STRAP, MOTOR 1680-0201-039 | EA |
| 0023 | 00001.000 | 0994202-0001 | NUT, MOTOR STRAP 1680-0202-203 | EA |
| 0024 | 00001.000 | 0960967-0003 | LEAD, ELECTRICAL-GND 1225-3567-071 | EA |
| 0026 | 00001.000 | 0994172-0001 | DRIVE SHAFT, TRACTOR 1680-0C72-061 | EA |
| 0027 | 00001.000 | 0994209-0001 | ROD, TRACTOR SUPPCRT 1680-0209-090 | EA |
| 0028 | 00001.000 | 0994173-0001 | HUB, PAPER ADVANCE 1255-0C01-028 | EA |
| 0029 | 00001.000 | 0994453-0001 | GEAR ASSY, PAPER ADVANCE (810) 1225-1453-000 | EA |
| 0030 | 00002.000 | 0994175-0001 | BEARING, PAPER ADVANCE 1255-0003-030 | EA |
| 0031 | 00001.000 | 0994210-0001 | PAPER GUIDE, PLATEN 1680-0210-022 | EA |
| 0032 | 00001.000 | 0999725-0001 | RETAINER, PAPER-PLATEN 1684-1725-066 | EA |
| 0035 | 00001.000 | 0994232-0001 | SCALE, FEED GAP 1255-0017-027 | EA |
| 0036 | 00001.000 | 0994302-0001 | SPRING, COMPRESSION-PAPER DRIVE SHAFT | EA |
| 0037 | 00001.000 | 0994260-0001 | GUIDE, UPPER LEFT-RIBBON 1255-0C19-029 | EA |
| 0038 | 00001.000 | 0994261-0001 | GUIDE, LOWER RIGHT-RIBBON 1255-0C20-029 | EA |
| 0041 | 00000.000 | 2210148-0003 | PAPER TRACTOR, DATA, PAIR SEE TI- DRAWING | PR |
| 0041A | | | *ALTERNATE FOR ITEM 107 SEE TI- DRAWING | |
| 0046 | 00001.000 | 0994241-0001 | PULLEY ASSY, IDLER | EA |
| 0047 | 00001.000 | 0994263-0001 | SPRING, TENSION WIRE RCPE | EA |
| 0048 | 00001.000 | 0994233-0001 | WIRE RCPE, CRIVE MECHANISM | EA |
| 0049 | 00001.000 | 0972405-0199 | BEARING, SLEEVE BRONZE OIL-IMPREGNATED | EA |
| 0051 | 00001.000 | 0996169-0001 | SWITCH, SENSITIVE 1620-0000-000 | EA |
| 0054 | 00001.000 | 0411778-0005 | RING, RETAINING, EXTERNAL BOWED WAL - 5135-31 | EA |
| 0055 | 00001.000 | 0416402-4031 | RING, RETAINING, EXTERNAL "EM" | EA |

List of Materials

07/14/84

| PART NUMBER | REV | DESCRIPTION..... | UM | |
|--------------|-----------|---|---|----|
| 0994183-0002 | BD | CARR & PAPER DRIVE,810 (REPLACED BY -4) | | |
| ITEM. | QUANTITY. | COMPONENT.. | DESCRIPTION..... | UM |
| 0059 | 00008.000 | 2220775-0030 | SCREW,TAPTITE,6-32X.375 HEX HD SEE TI- DWG | EA |
| 0060 | 00002.000 | 0972684-0013 | SCREW,THD FRMG,PEX-WSHR HD,6-32X.625LG | EA |
| 0063 | 00002.000 | 0972988-0015 | SCREW 4-40 X .375 PAN HEAD CRES 1202-5001-000 | EA |
| 0065 | 00002.000 | 0972988-0018 | SCREW 4-40 X .625 PAN HEAD CRES | EA |
| 0078 | 00001.000 | 0411104-0138 | WASHER, LCKK-SPRING, HELICAL, #10 QPL - MS3533E-13E | EA |
| 0081 | 00001.000 | 0416453-0024 | NUT,#10 HEX SMALL PATTERN | EA |
| 0082 | 00001.000 | 0411101-0058 | LOCKWASHER #6 EXTERNAL TOOTH CRES QPL - MS3533E-58 | EA |
| 0083 | AR | 0199594-0001 | LUBRICANT-1 OZ. BOTTLE 1611-0E58-074 | EA |
| 0084 | 00001.000 | 0232208-3500 | LABEL WIRE MARKER DATABS VINYL CLOTH 1286-2208-000 | EA |
| 0085 | REF | 0994396-9901 | PROCEDURE,SITE & DATE CODE SERIALIZATION | EA |
| 0089 | 00001.000 | 0994454-0001 | SPRING,GRLNDING 1680-1454-031 | EA |
| 0090 | 00002.000 | 0972969-0006 | SCREW #6-20 X 1/2 LG THD PL HEX WASHER | EA |
| 0092 | AR | 0232334-6050 | LUBRICANT SILICONE GRS LT GR 2 OZ TUBE 001139-G322L 1.7 OZ T | TU |
| 0095 | 00000.000 | 0996158-0003 | TRACTOR,PAPER,PREC. PR RT & LF HAND 1225-6158-000 | EA |
| 0095A | | | *ALTERNATE FOR ITEM 107 1225-6158-000 | |
| 0097 | 00001.000 | 0994444-0001 | GROUND LEAD,6 INCH 1225-1444-082 | EA |
| 0098 | 00000.000 | 0994546-0002 | MOTOR ASSY,CARR DR,10/16.5 CPI,810/820 0000-0000-000 | EA |
| 0098A | | | *ALTERNATE FOR ITEM 2 0000-0000-000 | |
| 0098B | | | *REQUIRES ITEM 99 0000-0000-000 | |
| 0099 | 00000.000 | 2210557-0002 | CABLE,ELEC.,MULTI-COND.,FLAT, 13-360 SEE TI- DRAWING | EA |
| 0099A | | | *USEC WITH ITEM 98 SEE TI- DRAWING | |
| 0100 | 00009.000 | 2210084-0033 | SEMS, PAN HEAD, SLCTED, 3/8 LONG SEE TI- DRAWING | EA |
| 0101 | 00003.000 | 2211692-0005 | SEMS,4-40X.437,PAN HEAD,CONE WASHER SEE TI- DRAWING | EA |
| 0102 | 00001.000 | 0972988-0031 | SCREW 6-32 X .625 PAN HEAD CRES | EA |
| 0103 | 00001.000 | 2211978-0003 | SCREW,SEMS,PAN HD.,CAMGRIP SELF-LCKK SEE TI- DRAWING | EA |
| 0104 | 00002.000 | 2210084-0014 | SEMS,PNH, SLTD, EXT TOOTH 32UNC-2A,.375L | EA |
| 0105 | 00004.000 | 2210006-0001 | ASSY,HEX NUT,LCKKWASHERS, 4-40 092550-SEE DRAWING | EA |
| 0106 | 00004.000 | 2211967-0010 | SCREW,CAP,SEMS,HEX-SOCKET HEAD,B.O. SEE TI- DRAWING | EA |

List of Materials

07/14/84

| PART NUMBER | REV | DESCRIPTION..... | UM | |
|--------------|-----------|---|---|----|
| 0994183-0002 | BD | CARR & PAPER DRIVE,810 (REPLACED BY -4) | | |
| ITEM. | QUANTITY. | COMPONENT.. | DESCRIPTION..... | UM |
| 0107 | 00001.000 | 2220316-0001 | TRACTOR,PAIR, .142" DIA PIN,4 TEETH IN SEE TI- DRAWING | PR |
| 0107A | | | *ITEMS 41 & 95 ARE SEE TI- DRAWING | |
| 0107B | | | *ALTERNATE SEE TI- DRAWING | |
| 0108 | 00001.000 | 0960967-0004 | LEAD ELECTRICAL 1225-4967-013 | EA |
| 0109 | 00001.000 | 0411104-0136 | WASHER, LOCK-SPRING, HELICAL, #6 CPL - MS35238-136 | EA |
| 9998 | 00001.000 | 0239999-9998 | COST, AS REQUIRED | EA |
| 9999 | 00002.000 | 0239999-9999 | COST, SHRINKAGE | EA |

07/14/84

| PART NUMBER | REV | DESCRIPTION..... | UM | |
|--------------|-----------|---------------------------------|---|----|
| 0994183-0003 | BD | CARR & PAPER DRIVE,810 (10 CPI) | | |
| ITEM. | QUANTITY. | COMPONENT.. | DESCRIPTION..... | UM |
| 0001 | 00001.000 | 0999913-0001 | CARRIAGE ASSY, PRINthead,810/820 1225-1913-000 | EA |
| 0002 | 00001.000 | 2232582-0001 | CARRIAGE MCTCR-ENCCDER ASSY,10 CPI 1225- -000 | EA |
| 0002A | | | *ITEM 98 IS AN ALTERNATE 1225- -000 | |
| 0003 | 00001.000 | 0994207-0001 | MOTCR ASSY,810,PAPER DRIVE 1225-1207-163 | EA |
| 0007 | 00001.000 | 0994185-0001 | SPACER,UPPER 1680-0185-123 | EA |
| 0008 | 00001.000 | 0994186-0001 | SPACER,LOWER REAR 1680-0186-121 | EA |
| 0009 | 00001.000 | 0994187-0001 | SPACER,LOWER FRONT 1680-0187-114 | EA |
| 0010 | 00001.000 | 0994490-0001 | GUIDE ROD, UPPER 1680-0490-146 | EA |
| 0011 | 00001.000 | 0994189-0001 | ROD,LOWER GUIDE,810 1680-0189-123 | EA |
| 0012 | 00001.000 | 0999724-0001 | PLATEN, 810/820/880 1680-2724-500 | EA |
| 0013 | 00001.000 | 0994191-0001 | CLAMP,WIRE RCPE 1680-0191-055 | EA |
| 0014 | 00001.000 | 0994194-0001 | SUPPERT,IDLER PULLEY 1680-0194-204 | EA |
| 0015 | 00002.000 | 0994184-0001 | SIDE PLATE,DRIVE MECHANISM 1680-4184-061 | EA |
| 0016 | 00001.000 | 0994195-0001 | SPACER,IDLER PULLEY 1680-0195-047 | EA |
| 0017 | 00002.000 | 0999727-0002 | BUMPER,CARRIAGE-LEFT 1255-0051-031 | EA |
| 0019 | 00001.000 | 0994197-0001 | BUSHING,GUIDE ROD 1255-0074-030 | EA |
| 0020 | 00001.000 | 0994198-0001 | LEVER,PRINthead ADJUSTMENT 1255-0006-025 | EA |
| 0021 | 00001.000 | 0994200-0001 | CRADLE,MOTCR 1255-0007-023 | EA |

List of Materials

07/14/84

| PART NUMBER | REV | DESCRIPTION..... | UM | |
|--------------|-----------|---------------------------------|--|----|
| 0994183-0003 | BD | CARR & PAPER DRIVE,810 (10 CPI) | | |
| ITEM. | QUANTITY. | COMPONENT.. | DESCRIPTION..... | UM |
| 0022 | 00001.000 | 0994201-0001 | STRAP,MOTOR 1680-0201-G39 | EA |
| 0023 | 00001.000 | 0994202-0001 | NUT,MOTOR STRAP 1680-0202-203 | EA |
| 0024 | 00001.000 | 0960967-0003 | LEAD,ELECTRICAL-GND 1225-3967-071 | EA |
| 0026 | 00001.000 | 0994172-0001 | DRIVE SHAFT,TRACTOR 1680-0C72-G61 | EA |
| 0027 | 00001.000 | 0994209-0001 | ROD,TRACTOR SUPPORT 1680-0209-090 | EA |
| 0028 | 00001.000 | 0994173-0001 | HUB,PAPER ADVANCE 1255-0C01-G28 | EA |
| 0029 | 00001.000 | 0994453-0001 | GEAR ASSY, PAPER ADVANCE (810) 1225-1453-000 | EA |
| 0030 | 00002.000 | 0994175-0001 | BEARING,PAPER ADVANCE 1255-0C03-030 | EA |
| 0031 | 00001.000 | 0994210-0001 | PAPER GUIDE,PLATEN 1680-0210-G88 | EA |
| 0032 | 00001.000 | 0999725-0001 | RETAINER, PAPER-PLATEN 1684-1725-C66 | EA |
| 0035 | 00001.000 | 0994232-0001 | SCALE,HEAD GAP 1255-0C17-027 | EA |
| 0036 | 00001.000 | 0994302-0001 | SPRING,COMPRESSION-PAPER DRIVE SHAFT | EA |
| 0037 | 00001.000 | 0994260-0001 | GUIDE,UPPER LEFT-RIBBON 1255-0019-029 | EA |
| 0038 | 00001.000 | 0994261-0001 | GUIDE,LOWER RIGHT-RIBBON 1255-0C20-029 | EA |
| 0041 | 00000.000 | 2210148-0003 | PAPER TRACTOR, DATA, PAIR SEE TI- DRAWING | PR |
| 0041A | | | *ALTERNATE FOR ITEM 107 SEE TI- DRAWING | |
| 0046 | 00001.000 | 0994241-0001 | PULLEY ASSY,IDLER | EA |
| 0047 | 00001.000 | 0994263-0001 | SPRING,TENSION WIRE RCPE | EA |
| 0048 | 00001.000 | 0994233-0001 | WIRE RCPE,DRIVE MECHANISM | EA |
| 0051 | 00001.000 | 0996169-0001 | SWITCH,SENSITIVE 1620-0C00-000 | EA |
| 0054 | 00001.000 | 0411778-0005 | RING,RETAINING,EXTERNAL BOWED WAL - 5139-31 | EA |
| 0055 | 00001.000 | 0416402-4031 | RING,RETAINING,EXTERNAL "E" | EA |
| 0059 | 00008.000 | 2220775-0030 | SCREW,TAPTITE,6-32X.375 HEX HD SEE TI- DWG | EA |
| 0060 | 00002.000 | 0972684-0013 | SCREW,T&D FRMG,HEX-WSHR HD,6-32X.625LG | EA |
| 0063 | 00002.000 | 0972988-0015 | SCREW 4-40 X .375 PAN HEAD CRES 1202-5001-000 | EA |
| 0065 | 00002.000 | 0972988-0018 | SCREW 4-40 X .625 PAN HEAD CRES | EA |
| 0078 | 00001.000 | 0411104-0138 | WASHER, LOCK-SPRING, HELICAL, #10 QPL - MS35338-138 | EA |
| 0081 | 00001.000 | 0416453-0024 | NUT,#10 HEX SMALL PATTERN | EA |
| 0082 | 00001.000 | 0411101-0058 | LOCKWASHER #6 EXTERNAL TOOTH CRES QPL - MS25335-58 | EA |

List of Materials

07/14/84

| PART NUMBER | REV | DESCRIPTION..... | UM | |
|--------------|-----------|---------------------------------|---|----|
| 0994183-0003 | BD | CARR & PAPER DRIVE,810 (10 CPI) | | |
| ITEM. | QUANTITY. | CCOMPONENT.. | DESCRIPTION..... | UM |
| 0084 | 00001.000 | 0232208-7000 | LABEL 1X3 INS RECTL SELF-ADHESIVE 016956-43551 | EA |
| 0084A | | | *P/N 232208-3500 IS AN 016956-43551 | |
| 0084B | | | *ALTERNATE 016956-43551 | |
| 0085 | REF | 0994396-9901 | PROCEDURE,SITE & DATE CODE SERIALIZATION | EA |
| 0089 | 00001.000 | 0994454-0001 | SPRING,GROUNDING 1680-1454-031 | EA |
| 0090 | 00002.000 | 0972969-0006 | SCREW #6-20 X 1/2 LG THD PL HEX WASHER | EA |
| 0091 | 00001.000 | 2360001-0001 | TAG,BEARING 7690-2000-000 | EA |
| 0092 | AR | 0232334-6050 | LUBRICANT SILICONE GRS LT GR 2 OZ TUBE 001139-G322L 1.7 OZ T | TU |
| 0093 | 00000.000 | 0994190-0001 | PLATEN 1680-0190-000 | EA |
| 0094 | 00000.000 | 0996596-0043 | SCREW 1/4-28 .750 LG CAP, SOCKET HEAD | EA |
| 0095 | 00000.000 | 0996158-0003 | TRACTOR,PAPER,PREC. PR RT & LF HAND 1225-6158-000 | EA |
| 0095A | | | *ALTERNATE FOR ITEM 107 1225-6158-000 | |
| 0097 | 00001.000 | 0994444-0001 | GROUND LEAD,6 INCH 1225-1444-082 | EA |
| 0098 | 00000.000 | 0994546-0001 | MOTOR ASSY,CARR DR,10 CPI,810/820 0000-0000-000 | EA |
| 0098A | | | *ALTERNATE FOR ITEM 2 0000-0000-000 | |
| 0098B | | | *REQUIRES ITEM 99 0000-0000-000 | |
| 0099 | 00000.000 | 2210557-0003 | CABLE 10-CONDUCTOR | EA |
| 0099A | | | *USED WITH ITEM 98 | |
| 0100 | 00009.000 | 2210084-0033 | SEMS, PAN HEAD, SLOTTED, 3/8 LONG SEE TI- DRAWING | EA |
| 0101 | 00003.000 | 2211692-0005 | SEMS,4-40X.437,PAN HEAD,CONE WASHER SEE TI- DRAWING | EA |
| 0102 | 00001.000 | 0972988-0031 | SCREW 6-32 X .625 PAN HEAD CRES | EA |
| 0103 | 00001.000 | 2211978-0003 | SCREW,SEMS,PAN HD.,CAMGRIP SELF-LOCK SEE TI- DRAWING | EA |
| 0104 | 00002.000 | 2210084-0014 | SEMS,PNH, SLTD, EXT TOOTH 32UNC-2A,.375L | EA |
| 0105 | 00004.000 | 2210006-0001 | ASSY,HEX NUT,LOCKWASHERS, 4-40 092550-SEE DRAWING | EA |
| 0106 | 00004.000 | 2211967-0010 | SCREW,CAP,SEMS,HEX-SOCKET HEAD,B.O. SEE TI- DRAWING | EA |
| 0107 | 00001.000 | 2220316-0001 | TRACTOR,PAIR, .142" DIA PIN,4 TEETH IN SEE TI- DRAWING | PR |
| 0107A | | | *ITEMS 41 & 55 ARE SEE TI- DRAWING | |
| 0107B | | | *ALTERNATE SEE TI- DRAWING | |
| 0108 | 00001.000 | 0969967-0004 | LEAD ELECTRICAL 1225-4967-013 | EA |
| 0109 | 00001.000 | 0411104-0136 | WASHER, LOCK-SPRING, HELICAL, #6 CPL - M535238-136 | EA |
| 0112 | 00001.000 | 0972988-0029 | SCREW 6-32 X .375 PAN HEAD CRES 1208- -000 | EA |

07/14/84

List of Materials

| PART NUMBER | REV | DESCRIPTION..... | UM | |
|--------------|-----------|------------------------------------|---|----|
| 0994183-00G4 | BD | CARR & PAPER DRIVE,810 (10/16 CPI) | | |
| ITEM. | QUANTITY. | COMPONENT.. | DESCRIPTION..... | UM |
| 0001 | 00001.000 | 0999913-0001 | CARRIAGE ASSY, PRINthead,810/820 1225-1513-000 | EA |
| 0002 | 00001.000 | 2232582-0002 | CARRIAGE MCTCR-ENCCDER ASSY,10/16.5 CPI 1225- -000 | EA |
| 0002A | | | *ITEM 98 IS AN ALTERNATE 1225- -000 | |
| 0003 | 00001.000 | 0994207-0001 | MOTOR ASSY,810,PAPER DRIVE 1225-1207-163 | EA |
| 0007 | 00001.000 | 0994185-0001 | SPACER,UPPER 1680-01P5-123 | EA |
| 0008 | 00001.000 | 0994186-0001 | SPACER,LOWER REAR 1680-0186-121 | EA |
| 0009 | 00001.000 | 0994187-0001 | SPACER,LOWER FRNT 1680-0187-114 | EA |
| 0010 | 00001.000 | 0994490-0001 | GUIDE ROD, UPPER 1680-0490-146 | EA |
| 0011 | 00001.000 | 0994189-0001 | ROD,LOWER GUIDE,810 1680-0189-123 | EA |
| 0012 | 00001.000 | 0999724-0001 | PLATEN, 810/820/880 1680-2724-500 | EA |
| 0013 | 00001.000 | 0994191-0001 | CLAMP,WIRE RCPE 1680-0191-055 | EA |
| 0014 | 00001.000 | 0994194-0001 | SUPPCRT,IDLER PULLEY 1680-0194-204 | EA |
| 0015 | 00002.000 | 0994184-0001 | SIDE PLATE,DRIVE MECHANISM 1680-4184-061 | EA |
| 0016 | 00001.000 | 0994195-0001 | SPACER,IDLER PULLEY 1680-0195-047 | EA |
| 0017 | 00002.000 | 0999727-0002 | BUMPER,CARRIAGE-LEFT 1255-0051-031 | EA |
| 0019 | 00001.000 | 0994197-0001 | BUSHING,GUIDE ROD 1255-0074-030 | EA |
| 0020 | 00001.000 | 0994198-0001 | LEVER,PRINthead ADJUSTMENT 1255-0006-025 | EA |
| 0021 | 00001.000 | 0994200-0001 | CRADLE,MCTCR 1255-0007-023 | EA |
| 0022 | 00001.000 | 0994201-0001 | STRAP,MCTCR 1680-0201-039 | EA |
| 0023 | 00001.000 | 0994202-0001 | NUT,MOTOR STRAP 1680-0202-203 | EA |
| 0024 | 00001.000 | 0960967-0003 | LEAD,ELECTRICAL-GNC 1225-3567-C71 | EA |
| 0026 | 00001.000 | 0994172-0001 | DRIVE SHAFT,TRACTCR 1680-0072-061 | EA |
| 0027 | 00001.000 | 0994209-0001 | ROD,TRACTCR SUPPCRT 1680-0209-090 | EA |
| 0028 | 00001.000 | 0994173-0001 | HUB,PAPER ADVANCE 1255-0001-028 | EA |
| 0029 | 00001.000 | 0994453-0001 | GEAR ASSY, PAPER ADVANCE (810) 1225-1453-000 | EA |
| 0030 | 00002.000 | 0994175-0001 | BEARING,PAPER ADVANCE 1255-0003-030 | EA |
| 0031 | 00001.000 | 0994210-0001 | PAPER GUIDE,PLATEN 1680-0210-088 | EA |
| 0032 | 00001.000 | 0999725-0001 | RETAINER, PAPER-PLATEN 1684-1725-C66 | EA |
| 0035 | 00001.000 | 0994232-0001 | SCALE,HEAD GAP 1255-0017-027 | EA |
| 0036 | 00001.000 | 0994302-0001 | SPRING,COMPRESSICN-PAPER DRIVE SHAFT | EA |

List of Materials

07/14/84

| PART NUMBER | REV | DESCRIPTION..... | | |
|--------------|-----------|------------------------------------|---|----|
| 0994183-0004 | BD | CARR & PAPER DRIVE,810 (10/16 CPI) | | |
| ITEM. | QUANTITY. | COMPONENT.. | DESCRIPTION..... | UM |
| 0037 | 00001.000 | 0994260-0001 | GUIDE,UPPER LEFT-RIBBON 1255-0C19-029 | EA |
| 0038 | 00001.000 | 0994261-0001 | GUIDE,LOWER RIGHT-RIBBON 1255-0C20-029 | EA |
| 0041 | 00000.000 | 2210148-0003 | PAPER TRACTOR, DATA, PAIR SEE TI- DRAWING | PR |
| 0041A | | | *ALTERNATE FOR ITEM 107 SEE TI- DRAWING | |
| 0046 | 00001.000 | 0994241-0001 | PULLEY ASSY,IDLER | EA |
| 0047 | 00001.000 | 0994263-0001 | SPRING,TENSIGN WIRE ROPE | EA |
| 0048 | 00001.000 | 0994233-0001 | WIRE ROPE,CRIVE MECHANISM | EA |
| 0051 | 00001.000 | 0996169-0001 | SWITCH,SENSITIVE 1620-0000-000 | EA |
| 0054 | 00001.000 | 0411778-0005 | RING,RETAINING,EXTERNAL BOWED WAL - 5139-31 | EA |
| 0055 | 00001.000 | 0416402-4031 | RING,RETAINING,EXTERNAL "E" | EA |
| 0059 | 00008.000 | 2220775-0030 | SCREW,TAPTITE,6-32X.375 HEX HD SEE TI- DWG | EA |
| 0060 | 00002.000 | 0972684-0013 | SCREW,THD FRMG,HEX-WSHR HD,6-32X.625LG | EA |
| 0063 | 00002.000 | 0972988-0015 | SCREW 4-40 X .375 PAN HEAD CRES 1202-5001-000 | EA |
| 0065 | 00002.000 | 0972988-0018 | SCREW 4-40 X .625 PAN HEAD CRES | EA |
| 0078 | 00001.000 | 0411104-0138 | WASHER, LOCK-SPRING, HELICAL, #10 CPL - M335338-138 | EA |
| 0081 | 00001.000 | 0416453-0024 | NUT,#10 HEX SMALL PATTERN | EA |
| 0082 | 00001.000 | 0411101-0058 | LOCKWASHER #6 EXTERNAL TOOTH CRES CPL - M335335-58 | EA |
| 0084 | 00001.000 | 0232208-7000 | LABEL 1X3INS RECTL SELF-ADHESIVE 016956-43551 | EA |
| 0084A | | | *P/N 232208-3500 IS AN 016956-43551 | |
| 0084B | | | *ALTERNATE 016956-43551 | |
| 0085 | REF | 0994396-9901 | PROCEDURE,SITE & DATE CODE SERIALIZATION | EA |
| 0089 | 00001.000 | 0994454-0001 | SPRING,GROUNDING 1680-1454-031 | EA |
| 0090 | 00002.000 | 0972969-0006 | SCREW #6-20 X 1/2 LG THD PL HEX WASHER | EA |
| 0091 | 00001.000 | 2360001-0001 | TAG,PEARING 7690-2000-000 | EA |
| 0092 | AR | 0232334-6050 | LUBRICANT SILICONE GRS LT GR 2 OZ TUBE 001139-G322L 1.7 OZ T | TU |
| 0093 | 00000.000 | 0994190-0001 | PLATEN 1680-0190-000 | EA |
| 0094 | 00000.000 | 0996596-0043 | SCREW 1/4-28 .750 LG CAP,SOCKET HEAD | EA |
| 0095 | 00000.000 | 0996158-0003 | TRACTOR,PAPER,PREC. PR RT & LF HAND 1225-6158-000 | EA |
| 0095A | | | *ALTERNATE FOR ITEM 107 1225-6158-000 | |
| 0097 | 00001.000 | 0994444-0001 | GROUND LEAD,6 INCH 1225-1444-082 | EA |
| 0098 | 00000.000 | 0994546-0002 | MOTCR ASSY,CARR DR,10/16.5 CPI,810/820 0000-0000-000 | EA |

List of Materials

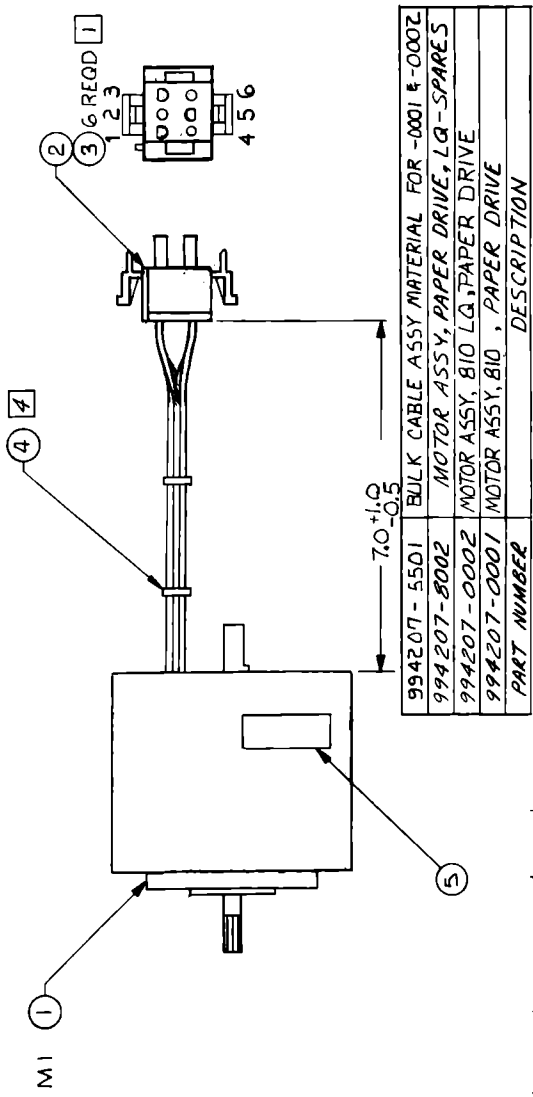
07/14/84

PART NUMBER REV DESCRIPTION.....
 0994183-0004 BD CARR & PAPER DRIVE,810 (10/16 CPI)

| ITEM. | QUANTITY. | COMPONENT.. | DESCRIPTION..... | UM |
|-------|-----------|--------------|--|----|
| 0098A | | | *ALTERNATE FOR ITEM 2 | |
| | | | 0000-0000-000 | |
| 0098B | | | *REQUIRES ITEM 99 | |
| | | | 0000-0000-000 | |
| 0099 | 00000.000 | 2210557-0002 | CABLE,ELEC.,MULTI-COND.,FLAT, 13-360 | EA |
| | | | SEE TI- DRAWING | |
| 0099A | | | *USEC WITH ITEM 98 | |
| | | | SEE TI- DRAWING | |
| 0100 | 00009.000 | 2210084-0033 | SEMS, PAN HEAD, SLOTTED, 3/8 LONG | EA |
| | | | SEE TI- DRAWING | |
| 0101 | 00003.000 | 2211692-0005 | SEMS,4-40X.437,PAN HEAD,CONE WASHER | EA |
| | | | SEE TI- DRAWING | |
| 0102 | 00001.000 | 0972988-0031 | SCREW 6-32 X .625 PAN HEAD CRES | EA |
| 0103 | 00001.000 | 2211978-0003 | SCREW,SEMS,PAN HD.,CAMGRIP SELF-LOCK | EA |
| | | | SEE TI- DRAWING | |
| 0104 | 00002.000 | 2210084-0014 | SEMS,PNH, SLTD, EXT TCCTH 32UNC-2A,.375L | EA |
| 0105 | 00004.000 | 2210006-0001 | ASSY,HEX NUT,LOCKWASHERS, 4-40 | EA |
| | | | 092550-SEE DRAWING | |
| 0106 | 00004.000 | 2211967-0010 | SCREW,CAP,SEMS,HEX-SOCKET HEAD,B.O. | EA |
| | | | SEE TI- DRAWING | |
| 0107 | 00001.000 | 2220316-0001 | TRACTOR,PAIR, .142" DIA PIN,4 TEETH IN | PR |
| | | | SEE TI- DRAWING | |
| 0107A | | | *ITEMS 41 & 95 ARE | |
| | | | SEE TI- DRAWING | |
| 0107B | | | *ALTERNATE | |
| | | | SEE TI- DRAWING | |
| 0108 | 00001.000 | 0960967-0004 | LEAD ELECTRICAL | EA |
| | | | 1225-4967-C13 | |
| 0109 | 00001.000 | 0411104-0136 | WASHER, LOCK-SPRING, HELICAL, #6 | EA |
| | | | CPL - MS35338-136 | |
| 0112 | 00001.000 | 0972988-0028 | SCREW 6-32 X .375 PAN HEAD CRES | EA |
| | | | 1208- -000 | |

NOTES:
 1 STRIP WIRE INSULATION BACK .20 BEFORE INSTALLING ITEM 3
 2 ~~SUBSTITUTE LARGER DIAMETER SLEEVING HEREON WHEN MOTOR WIRING IS TOO LARGE FOR ITEM 4~~
 3. MARK WITH PART NUMBER AND REVISION USING PROCESS 1
 4 EQUALLY SPACE TIE DOWNS (ITEM 4) ON CABLE (2 TO 3 INCHES APART)

| WIRE NO | DESCRIPTION | SIGNATURE | START | FINISH | REMARKS |
|---------|-------------|-------------|--------|--------|---------|
| 1 | MOTOR LEAD | PHASE C GND | MI-YEL | PIZ-4 | |
| 2 | MOTOR LEAD | PHASE C + | MI-BRN | PIZ-5 | |
| 3 | MOTOR LEAD | PHASE B GND | MI-GRN | PIZ-1 | |
| 4 | MOTOR LEAD | PHASE B + | MI-RED | PIZ-2 | |
| 5 | MOTOR LEAD | PHASE A GND | MI-BLU | PIZ-6 | |
| 6 | MOTOR LEAD | PHASE A + | MI-ORN | PIZ-3 | |



| 994207-5501 | BULK CABLE ASSY MATERIAL FOR -0001 & -0002 |
|-------------|--|
| 994207-8002 | MOTOR ASSY, PAPER DRIVE, LG-SPARES |
| 994207-0002 | MOTOR ASSY, BIO LG PAPER DRIVE |
| 994207-0001 | MOTOR ASSY, BIO, PAPER DRIVE |
| | PART NUMBER DESCRIPTION |

| REV | DESCRIPTION | DATE | APPROVED |
|-----|--|---------|-------------|
| N | CN 497553 (D) S. VINSON | 11-1-82 | [Signature] |
| | (1) REVISED PER EXTENSIVE ENGR CHANGES | | |
| P | CN 494772 (D) TRIMMION | 6-23-83 | [Signature] |
| | 1) ADDED - 5501 (M.I.C.) ADDED 810 TO TITLES | | |

| | | | | |
|---|---------|--|----|---------------------------|
| 1 | MARK | 909-01 | O1 | COLOR BLK, HGT 0.10 |
| SEC NO | PROCESS | F-SPEC | NO | ADDITIONAL CLASSIFICATION |
| FOR CORRELATION TO 8007/80 SPECIFICATIONS, SEE DRAWING 729487 | | | | |
| UNLESS OTHERWISE SPECIFIED | | * REMOVE ALL BURRS AND SHARP EDGES * CONCENTRICITY MACHINED * DIMENSIONAL LIMITS APPLY BEFORE FINISH PROCESSING * DIMENSIONAL LIMITS FOR REFERENCE ONLY * INTERPRET DRAWING IN ACCORDANCE WITH MIL-STD-100 | | |
| HOLE TOLERANCE | | THRU + .004 THRU + .005 THRU + .006 .125 - .001 .250 - .001 .500 - .001 THRU + .008 THRU + .010 THRU + .012 THRU - .001 1.000 - .001 2.000 - .001 | | |
| APPLICATION | | 8754 | | |
| NEXT ASSY USED ON | | 094163 16733 | | |
| UNLESS OTHERWISE SPECIFIED | | * DIMENSIONS ARE IN INCHES * ANGLES ± 1° * DIMENSIONS ARE IN INCHES * TOLERANCES: ALL ± .010 2 PLACE DECIMALS ± .005 | | |
| DATE | | 5-12-76 | | |
| DRAWN BY | | [Signature] | | |
| ENGR | | 7-20-76 | | |
| APPROVED BY | | [Signature] | | |
| DATE | | 2/20/76 | | |
| DESIGN ACTIVITY RELEASE | | 7/21/76 | | |
| SCALE | | NONE | | |
| SIZE | | C 96214 | | |
| CODE IDENT NO | | DRAWING NO 994207 | | |
| SHEET | | LM | | |

List of Materials

01/28/84

| PART NUMBER | REV | DESCRIPTION..... | |
|--------------|-----------|----------------------------|---|
| 0994207-0001 | P | MOTOR ASSY,810,PAPER DRIVE | |
| ITEM. | QUANTITY. | COMPONENT.. | DESCRIPTION..... UM |
| 0001 | 00001.000 | 0994240-0001 | MOTOR,STEPPING DRIVE,WITH PINION EA |
| 0001A | | | M1 |
| 0002 | 00001.000 | 0996009-0005 | CONNECTOR HOUSING,MALE PLUG 6 CIRCUITS EA |
| 0002A | | | AMP - 350715-1 P12 |
| 0004 | 00002.000 | 0418212-0040 | STRAP,TIEDOWN,ADJUSTABLE,PLASTIC EA |
| 0005 | 00001.000 | 0232208-3500 | LABEL WIRE MARKER DATABS VINYL CLOTH EA |
| 0006 | 00001.000 | 0994207-5501 | 1286-2208-000 BULK CABLE ASSY MATERIAL FOR -1 & -2 EA 1225-0207-143 |

01/28/84

| PART NUMBER | REV | DESCRIPTION..... | |
|--------------|-----------|--------------------------------|---|
| 0994207-0002 | P | MOTOR ASSY,810 LQ, PAPER DRIVE | |
| ITEM. | QUANTITY. | COMPONENT.. | DESCRIPTION..... UM |
| 0001 | 00001.000 | 2360089-0001 | MOTOR,STEPPING DRIVE (WITH PINION) EA |
| 0001A | | | SEE TI- DRAWING M1 |
| 0002 | 00001.000 | 0996009-0005 | CONNECTOR HOUSING,MALE PLUG 6 CIRCUITS EA |
| 0002A | | | AMP - 350715-1 P12 |
| 0004 | 00002.000 | 0418212-0040 | STRAP,TIEDOWN,ADJUSTABLE,PLASTIC EA |
| 0005 | 00001.000 | 0232208-3500 | LABEL WIRE MARKER DATABS VINYL CLOTH EA |
| 0006 | 00001.000 | 0994207-5501 | 1286-2208-000 BULK CABLE ASSY MATERIAL FOR -1 & -2 EA 1225-0207-143 |

LIST OF MATERIALS

07/15/81

| PART NUMBER | REV | DESCRIPTION..... | |
|--------------|-----------|------------------|--|
| 0994215-0001 | Y | RIBBON DRIVE | |
| ITEM. | QUANTITY. | COMPONENT.. | DESCRIPTION..... UM |
| 0001 | 0002.000 | 0994216-0001 | SHAFT,DRIVE-RIBBON 1680-0216-000 EA |
| 0002 | 00002.000 | 0994217-0001 | BEARING,LOWER-RIBBON 1215-4217-000 EA |
| 0003 | 00002.000 | 0994218-0001 | DISK,FRICITION-RIBBON 1215-0218-016 EA |
| 0004 | 00002.000 | 0994219-0001 | PAD,FRICITION-RIBBON EA |
| 0005 | 00002.000 | 0994220-0001 | HUB,PRESSURE-RIBBON 1215-0220-015 EA |
| 0006 | 00002.000 | 0994221-0001 | SPRING,COMPRESSION-GEAR DRIVE EA |
| 0007 | 00002.000 | 0994222-0001 | GEAR,DRIVE RIBBON 1215-0222-022 EA |
| 0008 | 00001.000 | 0994223-0001 | CHASSIS,RIBBON DRIVE 1215-4223-014 EA |
| 0009 | 00001.000 | 0994224-0001 | PLATE,RIBBON MOTOR 1680-0224-000 EA |
| 0010 | 00001.000 | 0994225-0001 | GEAR,IDLER-REVERSE-MTR 1215-0225-014 EA |
| 0011 | 00001.000 | 0994226-0001 | ARM,REVERSE-MTR 1215-4226-011 EA |
| 0012 | 00001.000 | 0994227-0001 | ARM,SHIFT-RIBBON 1680-0227-027 EA |
| 0014 | 00002.000 | 0994228-0001 | SPRING,COMPRESSION-SHIFT ARM EA |
| 0015 | 00002.000 | 0994230-0001 | WASHER,THRUST-SHIFT ARM 1215-0230-014 EA |
| 0016 | 00002.000 | 0994285-0001 | BEARING,SHIFT ARM 1215-0285-021 EA |
| 0017 | 00002.000 | 0994355-0001 | SPRING,EXTENSION-RIBBON TAKEUP EA |
| 0018 | 00002.000 | 0994377-0001 | GUIDE,RIBBON-SPOOL 1215-0377-015 EA |
| 0019 | 00001.000 | 0994378-0001 | GUIDE,RIBBON-LOWER LEFT 1215-0378-013 EA |
| 0020 | 00001.000 | 0996168-0001 | MINIATURE PRECISION SWITCH CEP - E22-00AX EA |
| 0021 | 00001.000 | 0994288-0001 | INSULATOR,SWITCH 1680-0288-021 EA |
| 0022 | 00001.000 | 0994289-0001 | PLATE, TOP 1680-0289-000 EA |
| 0023 | 00002.000 | 0994290-0001 | HUB,DRIVE-RIBBON 1215-0290-017 EA |
| 0024 | 00001.000 | 0996160-0002 | MOTOR, SYNCHRONOUS, REVERSIBLE SEE TI- DRAWING EA |
| 0025 | 00003.000 | 0994231-0001 | JUMPER ASSY,RIBBON DRIVE 1225-1231-056 EA |
| 0026 | 00001.000 | 0996368-0001 | TERMINAL BLOCK 075382-#799W/3/4ST EA |
| 0027 | 00002.000 | 0996330-0001 | NETWORK 22 OHMS 10% #22 AWG SOLID LEADS EA |
| 0028 | 00001.000 | 0412991-0003 | RING #4 PRONGS RETAINING EXTERNAL EA |
| 0029 | 00004.000 | 0416402-4018 | RING,RETAINING EXTERNAL "E" MS1 -6633-4018 EA |
| 0030 | 00002.000 | 0230033-0001 | BEARING SNAP-IN NYLON THP -6L1-FF EA |
| 0031 | 00002.000 | 0996342-0001 | PIN,GROOVED EA |
| 0032 | 00002.000 | 0972988-0027 | SCREW 6-32 X .312 PAN HEAD CRES EA |
| 0033 | 00001.000 | 0972679-0009 | SCREW #4-20 X 3/8"LG THD FORM,HEX EA |

LIST OF MATERIALS

07/15/81

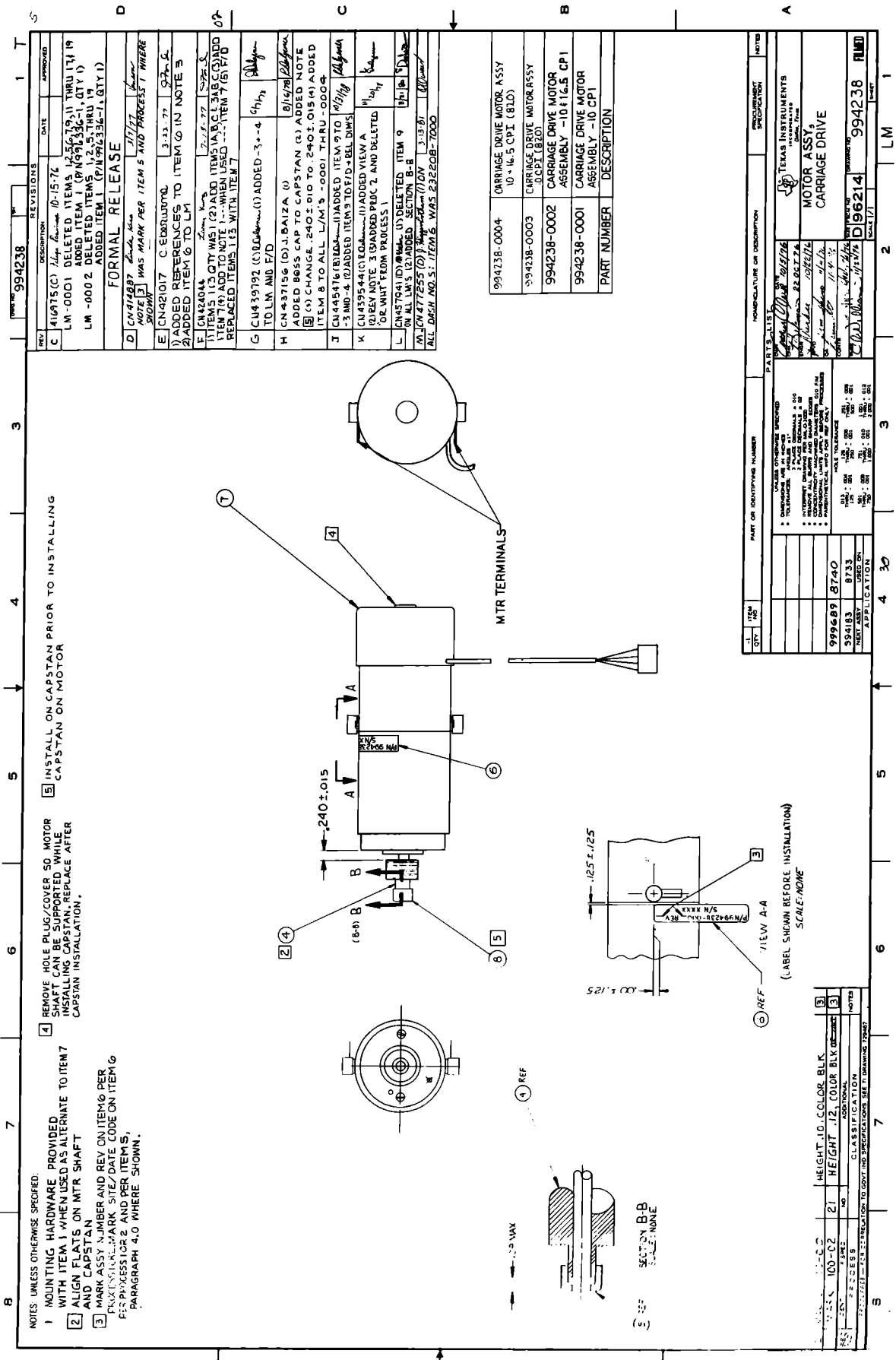
| PART NUMBER | | REV | DESCRIPTION..... | |
|--------------|-----------|--------------|--|----|
| 0994215-0001 | | Y | RIBBON DRIVE | |
| ITEM. | QUANTITY. | COMPONENT.. | DESCRIPTION..... | UM |
| 0034 | 00004.000 | 0972679-0013 | SCREW # 6-19 X 1/2 SLOTTED HEX | EA |
| 0036 | 00002.000 | 0972679-0026 | SCREW THREAD SLOTTING HEX .750 | EA |
| 0037 | 00001.000 | 0411027-0806 | WASHER,#6 FLAT,CRES,.156 X .375 X .049 | EA |
| | | | QPL - MS15795-806 | |
| 0038 | 00001.000 | 0996277-0001 | WASHER,SPRING,#5 | EA |
| | | | ITW - 3502-05-32S | |
| 0039 | 00005.000 | 0416622-0011 | WASHER #4 FLAT | EA |
| | | | QPL - AN960C4L | |
| 0040 | 00004.000 | 0411104-0135 | WASHER, LOCK-SPRING, HELICAL, #4 | EA |
| | | | QPL - MS35338-135 | |
| 0041 | 00001.000 | 0411101-0058 | LOCKWASHER #6 EXTERNAL TOOTH CRES | EA |
| | | | QPL - MS35335-58 | |
| 0042 | 00004.000 | 0416453-0021 | NUT,PLAIN,4-40 UNC-2B HEX,CRES,SMALL | EA |
| | | | QPL - NAS671-C4 | |
| 0043 | 00002.000 | 0411027-0807 | WASHER,#8 FLAT,CRES,.188 X .375 X .049 | EA |
| | | | QPL - MS15795-807 | |
| 0044 | 00001.000 | 0418212-0040 | STRAP,TIEDOWN,ADJUSTABLE,PLASTIC | EA |
| | | | QPL - MS3367-4-9 | |
| 0045 | AR | 0232208-7000 | LABEL 1X3INS RECTL SELF-ADHESIVE | BX |
| | | | DEN -43551 | |
| 0046 | 00002.000 | 2210084-0014 | SEMS,PNH, SLTD, EXT TOOTH 32UNC-2A,.375L | EA |
| 0047 | 00001.000 | 0960967-0003 | LEAD,ELECTRICAL-GND | EA |
| | | | 1225-3967-050 | |
| 0048 | REF | 0994396-9901 | PROCEDURE,SITE & DATE CODE SERIALIZATION | EA |
| 0049 | REF | 0994392-9901 | ELECTRONIC SCHEMATIC DIAG,POWER SUPPLY | EA |
| 0051 | 00001.000 | 0994496-0001 | PAD, STATIC GROUND- FOAM | EA |
| 0052 | AR | 0415804-0005 | SEALING COMPOUND,ANAEROBIC-BLUE GRADE C | QT |
| 0053 | 00001.000 | 0994309-0001 | CABLE ASSY,RIBBON DRIVE | EA |
| | | | 1225-1309-051 | |
| 0054 | 00001.000 | 0994444-0002 | GROUND LEAD,4 INCH | EA |
| | | | 1225-2444-007 | |

LIST OF MATERIALS

07/15/81

| PART NUMBER | REV | DESCRIPTION..... |
|--------------|-----|------------------|
| 0994215-8001 | Y | RIBBON DRIVE |

| ITEM. | QUANTITY. | COMPONENT.. | DESCRIPTION..... | UM |
|-------|-----------|--------------|-------------------------------|----|
| 0001 | 00001.000 | 0994215-0001 | RIBBON DRIVE 1225-1215-107 | EA |



| REV | DESCRIPTION | DATE | APPROVED |
|---------|---|------|----------|
| C | 416975(C) <i>1/19/76</i> <i>10-15-76</i> | | |
| LM-0001 | DELETED ITEMS 1, 2, 3, 4, 5, 6, 7, 8, 9, 10, 11, 12, 13, 14, 15, 16, 17, 18, 19 | | |
| LM-0002 | ADDED ITEM 1 (P/N 994238-1, QTY 1) | | |
| | ADDED ITEM 2 (P/N 994238-1, QTY 1) | | |
| | ADDED ITEM 3 (P/N 994238-1, QTY 1) | | |
| | ADDED ITEM 4 (P/N 994238-1, QTY 1) | | |
| | ADDED ITEM 5 (P/N 994238-1, QTY 1) | | |
| | ADDED ITEM 6 (P/N 994238-1, QTY 1) | | |
| | ADDED ITEM 7 (P/N 994238-1, QTY 1) | | |
| | ADDED ITEM 8 (P/N 994238-1, QTY 1) | | |
| | ADDED ITEM 9 (P/N 994238-1, QTY 1) | | |
| | ADDED ITEM 10 (P/N 994238-1, QTY 1) | | |
| | ADDED ITEM 11 (P/N 994238-1, QTY 1) | | |
| | ADDED ITEM 12 (P/N 994238-1, QTY 1) | | |
| | ADDED ITEM 13 (P/N 994238-1, QTY 1) | | |
| | ADDED ITEM 14 (P/N 994238-1, QTY 1) | | |
| | ADDED ITEM 15 (P/N 994238-1, QTY 1) | | |
| | ADDED ITEM 16 (P/N 994238-1, QTY 1) | | |
| | ADDED ITEM 17 (P/N 994238-1, QTY 1) | | |
| | ADDED ITEM 18 (P/N 994238-1, QTY 1) | | |
| | ADDED ITEM 19 (P/N 994238-1, QTY 1) | | |
| | ADDED ITEM 20 (P/N 994238-1, QTY 1) | | |
| | ADDED ITEM 21 (P/N 994238-1, QTY 1) | | |
| | ADDED ITEM 22 (P/N 994238-1, QTY 1) | | |
| | ADDED ITEM 23 (P/N 994238-1, QTY 1) | | |
| | ADDED ITEM 24 (P/N 994238-1, QTY 1) | | |
| | ADDED ITEM 25 (P/N 994238-1, QTY 1) | | |
| | ADDED ITEM 26 (P/N 994238-1, QTY 1) | | |
| | ADDED ITEM 27 (P/N 994238-1, QTY 1) | | |
| | ADDED ITEM 28 (P/N 994238-1, QTY 1) | | |
| | ADDED ITEM 29 (P/N 994238-1, QTY 1) | | |
| | ADDED ITEM 30 (P/N 994238-1, QTY 1) | | |
| | ADDED ITEM 31 (P/N 994238-1, QTY 1) | | |
| | ADDED ITEM 32 (P/N 994238-1, QTY 1) | | |
| | ADDED ITEM 33 (P/N 994238-1, QTY 1) | | |
| | ADDED ITEM 34 (P/N 994238-1, QTY 1) | | |
| | ADDED ITEM 35 (P/N 994238-1, QTY 1) | | |
| | ADDED ITEM 36 (P/N 994238-1, QTY 1) | | |
| | ADDED ITEM 37 (P/N 994238-1, QTY 1) | | |
| | ADDED ITEM 38 (P/N 994238-1, QTY 1) | | |
| | ADDED ITEM 39 (P/N 994238-1, QTY 1) | | |
| | ADDED ITEM 40 (P/N 994238-1, QTY 1) | | |
| | ADDED ITEM 41 (P/N 994238-1, QTY 1) | | |
| | ADDED ITEM 42 (P/N 994238-1, QTY 1) | | |
| | ADDED ITEM 43 (P/N 994238-1, QTY 1) | | |
| | ADDED ITEM 44 (P/N 994238-1, QTY 1) | | |
| | ADDED ITEM 45 (P/N 994238-1, QTY 1) | | |
| | ADDED ITEM 46 (P/N 994238-1, QTY 1) | | |
| | ADDED ITEM 47 (P/N 994238-1, QTY 1) | | |
| | ADDED ITEM 48 (P/N 994238-1, QTY 1) | | |
| | ADDED ITEM 49 (P/N 994238-1, QTY 1) | | |
| | ADDED ITEM 50 (P/N 994238-1, QTY 1) | | |
| | ADDED ITEM 51 (P/N 994238-1, QTY 1) | | |
| | ADDED ITEM 52 (P/N 994238-1, QTY 1) | | |
| | ADDED ITEM 53 (P/N 994238-1, QTY 1) | | |
| | ADDED ITEM 54 (P/N 994238-1, QTY 1) | | |
| | ADDED ITEM 55 (P/N 994238-1, QTY 1) | | |
| | ADDED ITEM 56 (P/N 994238-1, QTY 1) | | |
| | ADDED ITEM 57 (P/N 994238-1, QTY 1) | | |
| | ADDED ITEM 58 (P/N 994238-1, QTY 1) | | |
| | ADDED ITEM 59 (P/N 994238-1, QTY 1) | | |
| | ADDED ITEM 60 (P/N 994238-1, QTY 1) | | |
| | ADDED ITEM 61 (P/N 994238-1, QTY 1) | | |
| | ADDED ITEM 62 (P/N 994238-1, QTY 1) | | |
| | ADDED ITEM 63 (P/N 994238-1, QTY 1) | | |
| | ADDED ITEM 64 (P/N 994238-1, QTY 1) | | |
| | ADDED ITEM 65 (P/N 994238-1, QTY 1) | | |
| | ADDED ITEM 66 (P/N 994238-1, QTY 1) | | |
| | ADDED ITEM 67 (P/N 994238-1, QTY 1) | | |
| | ADDED ITEM 68 (P/N 994238-1, QTY 1) | | |
| | ADDED ITEM 69 (P/N 994238-1, QTY 1) | | |
| | ADDED ITEM 70 (P/N 994238-1, QTY 1) | | |
| | ADDED ITEM 71 (P/N 994238-1, QTY 1) | | |
| | ADDED ITEM 72 (P/N 994238-1, QTY 1) | | |
| | ADDED ITEM 73 (P/N 994238-1, QTY 1) | | |
| | ADDED ITEM 74 (P/N 994238-1, QTY 1) | | |
| | ADDED ITEM 75 (P/N 994238-1, QTY 1) | | |
| | ADDED ITEM 76 (P/N 994238-1, QTY 1) | | |
| | ADDED ITEM 77 (P/N 994238-1, QTY 1) | | |
| | ADDED ITEM 78 (P/N 994238-1, QTY 1) | | |
| | ADDED ITEM 79 (P/N 994238-1, QTY 1) | | |
| | ADDED ITEM 80 (P/N 994238-1, QTY 1) | | |
| | ADDED ITEM 81 (P/N 994238-1, QTY 1) | | |
| | ADDED ITEM 82 (P/N 994238-1, QTY 1) | | |
| | ADDED ITEM 83 (P/N 994238-1, QTY 1) | | |
| | ADDED ITEM 84 (P/N 994238-1, QTY 1) | | |
| | ADDED ITEM 85 (P/N 994238-1, QTY 1) | | |
| | ADDED ITEM 86 (P/N 994238-1, QTY 1) | | |
| | ADDED ITEM 87 (P/N 994238-1, QTY 1) | | |
| | ADDED ITEM 88 (P/N 994238-1, QTY 1) | | |
| | ADDED ITEM 89 (P/N 994238-1, QTY 1) | | |
| | ADDED ITEM 90 (P/N 994238-1, QTY 1) | | |
| | ADDED ITEM 91 (P/N 994238-1, QTY 1) | | |
| | ADDED ITEM 92 (P/N 994238-1, QTY 1) | | |
| | ADDED ITEM 93 (P/N 994238-1, QTY 1) | | |
| | ADDED ITEM 94 (P/N 994238-1, QTY 1) | | |
| | ADDED ITEM 95 (P/N 994238-1, QTY 1) | | |
| | ADDED ITEM 96 (P/N 994238-1, QTY 1) | | |
| | ADDED ITEM 97 (P/N 994238-1, QTY 1) | | |
| | ADDED ITEM 98 (P/N 994238-1, QTY 1) | | |
| | ADDED ITEM 99 (P/N 994238-1, QTY 1) | | |
| | ADDED ITEM 100 (P/N 994238-1, QTY 1) | | |

| REV | DESCRIPTION | DATE | APPROVED |
|-----|---|---------|----------------|
| D | CN41487 <i>1/17/77</i> | | |
| | NOTE: 1 WAS MARK PER ITEM 5 AND PROCESS 1 WHERE | | |
| E | CN421017 C. ENR10070L | 3-22-77 | <i>G.P. G.</i> |
| | 1) ADDED REFERENCES TO ITEM 6 IN NOTE 3 | | |
| | 2) ADDED ITEM 6 TO LPI | | |
| F | CN42004 <i>7-11-77</i> | | |
| | 1) ADDED ITEM 1 (QTY 1) AND ITEM 2 (QTY 1) TO LPI | | |
| | 2) ADDED ITEM 3 (QTY 1) TO LPI | | |
| | 3) ADDED ITEM 4 (QTY 1) TO LPI | | |
| | 4) ADDED ITEM 5 (QTY 1) TO LPI | | |
| | 5) ADDED ITEM 6 (QTY 1) TO LPI | | |
| | 6) ADDED ITEM 7 (QTY 1) TO LPI | | |
| | 7) ADDED ITEM 8 (QTY 1) TO LPI | | |
| | 8) ADDED ITEM 9 (QTY 1) TO LPI | | |
| | 9) ADDED ITEM 10 (QTY 1) TO LPI | | |
| | 10) ADDED ITEM 11 (QTY 1) TO LPI | | |
| | 11) ADDED ITEM 12 (QTY 1) TO LPI | | |
| | 12) ADDED ITEM 13 (QTY 1) TO LPI | | |
| | 13) ADDED ITEM 14 (QTY 1) TO LPI | | |
| | 14) ADDED ITEM 15 (QTY 1) TO LPI | | |
| | 15) ADDED ITEM 16 (QTY 1) TO LPI | | |
| | 16) ADDED ITEM 17 (QTY 1) TO LPI | | |
| | 17) ADDED ITEM 18 (QTY 1) TO LPI | | |
| | 18) ADDED ITEM 19 (QTY 1) TO LPI | | |
| | 19) ADDED ITEM 20 (QTY 1) TO LPI | | |
| | 20) ADDED ITEM 21 (QTY 1) TO LPI | | |
| | 21) ADDED ITEM 22 (QTY 1) TO LPI | | |
| | 22) ADDED ITEM 23 (QTY 1) TO LPI | | |
| | 23) ADDED ITEM 24 (QTY 1) TO LPI | | |
| | 24) ADDED ITEM 25 (QTY 1) TO LPI | | |
| | 25) ADDED ITEM 26 (QTY 1) TO LPI | | |
| | 26) ADDED ITEM 27 (QTY 1) TO LPI | | |
| | 27) ADDED ITEM 28 (QTY 1) TO LPI | | |
| | 28) ADDED ITEM 29 (QTY 1) TO LPI | | |
| | 29) ADDED ITEM 30 (QTY 1) TO LPI | | |
| | 30) ADDED ITEM 31 (QTY 1) TO LPI | | |
| | 31) ADDED ITEM 32 (QTY 1) TO LPI | | |
| | 32) ADDED ITEM 33 (QTY 1) TO LPI | | |
| | 33) ADDED ITEM 34 (QTY 1) TO LPI | | |
| | 34) ADDED ITEM 35 (QTY 1) TO LPI | | |
| | 35) ADDED ITEM 36 (QTY 1) TO LPI | | |
| | 36) ADDED ITEM 37 (QTY 1) TO LPI | | |
| | 37) ADDED ITEM 38 (QTY 1) TO LPI | | |
| | 38) ADDED ITEM 39 (QTY 1) TO LPI | | |
| | 39) ADDED ITEM 40 (QTY 1) TO LPI | | |
| | 40) ADDED ITEM 41 (QTY 1) TO LPI | | |
| | 41) ADDED ITEM 42 (QTY 1) TO LPI | | |
| | 42) ADDED ITEM 43 (QTY 1) TO LPI | | |
| | 43) ADDED ITEM 44 (QTY 1) TO LPI | | |
| | 44) ADDED ITEM 45 (QTY 1) TO LPI | | |
| | 45) ADDED ITEM 46 (QTY 1) TO LPI | | |
| | 46) ADDED ITEM 47 (QTY 1) TO LPI | | |
| | 47) ADDED ITEM 48 (QTY 1) TO LPI | | |
| | 48) ADDED ITEM 49 (QTY 1) TO LPI | | |
| | 49) ADDED ITEM 50 (QTY 1) TO LPI | | |
| | 50) ADDED ITEM 51 (QTY 1) TO LPI | | |
| | 51) ADDED ITEM 52 (QTY 1) TO LPI | | |
| | 52) ADDED ITEM 53 (QTY 1) TO LPI | | |
| | 53) ADDED ITEM 54 (QTY 1) TO LPI | | |
| | 54) ADDED ITEM 55 (QTY 1) TO LPI | | |
| | 55) ADDED ITEM 56 (QTY 1) TO LPI | | |
| | 56) ADDED ITEM 57 (QTY 1) TO LPI | | |
| | 57) ADDED ITEM 58 (QTY 1) TO LPI | | |
| | 58) ADDED ITEM 59 (QTY 1) TO LPI | | |
| | 59) ADDED ITEM 60 (QTY 1) TO LPI | | |
| | 60) ADDED ITEM 61 (QTY 1) TO LPI | | |
| | 61) ADDED ITEM 62 (QTY 1) TO LPI | | |
| | 62) ADDED ITEM 63 (QTY 1) TO LPI | | |
| | 63) ADDED ITEM 64 (QTY 1) TO LPI | | |
| | 64) ADDED ITEM 65 (QTY 1) TO LPI | | |
| | 65) ADDED ITEM 66 (QTY 1) TO LPI | | |
| | 66) ADDED ITEM 67 (QTY 1) TO LPI | | |
| | 67) ADDED ITEM 68 (QTY 1) TO LPI | | |
| | 68) ADDED ITEM 69 (QTY 1) TO LPI | | |
| | 69) ADDED ITEM 70 (QTY 1) TO LPI | | |
| | 70) ADDED ITEM 71 (QTY 1) TO LPI | | |
| | 71) ADDED ITEM 72 (QTY 1) TO LPI | | |
| | 72) ADDED ITEM 73 (QTY 1) TO LPI | | |
| | 73) ADDED ITEM 74 (QTY 1) TO LPI | | |
| | 74) ADDED ITEM 75 (QTY 1) TO LPI | | |
| | 75) ADDED ITEM 76 (QTY 1) TO LPI | | |
| | 76) ADDED ITEM 77 (QTY 1) TO LPI | | |
| | 77) ADDED ITEM 78 (QTY 1) TO LPI | | |
| | 78) ADDED ITEM 79 (QTY 1) TO LPI | | |
| | 79) ADDED ITEM 80 (QTY 1) TO LPI | | |
| | 80) ADDED ITEM 81 (QTY 1) TO LPI | | |
| | 81) ADDED ITEM 82 (QTY 1) TO LPI | | |
| | 82) ADDED ITEM 83 (QTY 1) TO LPI | | |
| | 83) ADDED ITEM 84 (QTY 1) TO LPI | | |
| | 84) ADDED ITEM 85 (QTY 1) TO LPI | | |
| | 85) ADDED ITEM 86 (QTY 1) TO LPI | | |
| | 86) ADDED ITEM 87 (QTY 1) TO LPI | | |
| | 87) ADDED ITEM 88 (QTY 1) TO LPI | | |
| | 88) ADDED ITEM 89 (QTY 1) TO LPI | | |
| | 89) ADDED ITEM 90 (QTY 1) TO LPI | | |
| | 90) ADDED ITEM 91 (QTY 1) TO LPI | | |
| | 91) ADDED ITEM 92 (QTY 1) TO LPI | | |
| | 92) ADDED ITEM 93 (QTY 1) TO LPI | | |
| | 93) ADDED ITEM 94 (QTY 1) TO LPI | | |
| | 94) ADDED ITEM 95 (QTY 1) TO LPI | | |
| | 95) ADDED ITEM 96 (QTY 1) TO LPI | | |
| | 96) ADDED ITEM 97 (QTY 1) TO LPI | | |
| | 97) ADDED ITEM 98 (QTY 1) TO LPI | | |
| | 98) ADDED ITEM 99 (QTY 1) TO LPI | | |
| | 99) ADDED ITEM 100 (QTY 1) TO LPI | | |

| REV | DESCRIPTION | DATE | APPROVED |
|-----|--|----------|-----------------|
| H | CN437156 (D) J. BAIZA (I) | 8/14/78 | <i>J. Baiza</i> |
| | ADDED 8655 CAP TO CAPSTAN (I) ADDED NOTE | | |
| | (I) CHANGE. 240 ± 0.15 TO 240 ± 0.15 (I) ADDED | | |
| | ITEM 8 TO ALL LPI'S - 0001 THRU - 0004 | | |
| J | CN445476 (I) BAIZA (I) ADDED ITEM 9 TO | 10/11/78 | <i>J. Baiza</i> |
| | -3 AND -4 (I) ADDED ITEM 9 TO ITEM 10 | | |
| | (I) REV NOTE 3 (I) ADDED PDC 2 AND DELETED | | |
| | DE WHIT FROM PROCESS 1 | | |
| K | CN453544 (I) BAIZA (I) ADDED VIEW A | 11/14/78 | <i>J. Baiza</i> |
| | (I) REV NOTE 3 (I) ADDED PDC 2 AND DELETED | | |
| | DE WHIT FROM PROCESS 1 | | |
| L | CN457041 (I) BAIZA (I) DELETED ITEM 9 | 11/14/78 | <i>J. Baiza</i> |
| | ON ALL LPI'S (I) ADDED SECTION B-B | | |
| M | CN477255 (I) BAIZA (I) DELETED ITEM 9 | 3-13-81 | <i>J. Baiza</i> |
| | ON ALL LPI'S (I) ADDED SECTION B-B | | |
| | WILL BRSH MD 5: ITEM 6. WAS 23220B-7000 | | |

| REV | DESCRIPTION | DATE | APPROVED |
|-------------------------|-------------------------------|------|----------|
| 994238-0004 | CARRIAGE DRIVE MOTOR ASSY | | |
| 10 * 16.5 C/P1 (B.L.O.) | | | |
| 994238-0003 | CARRIAGE DRIVE MOTOR ASSY | | |
| 10 * 16.5 C/P1 (B.L.O.) | | | |
| 994238-0002 | CARRIAGE DRIVE MOTOR ASSEMBLY | | |
| -10 * 16.5 C/P1 | | | |
| 994238-0001 | CARRIAGE DRIVE MOTOR ASSEMBLY | | |
| -10 C/P1 | | | |

| REV | DESCRIPTION | DATE | APPROVED |
|--------|---------------|------|----------|
| 999689 | 8740 | | |
| 594183 | 8733 | | |
| | APPLICABLE TO | | |

| REV | DESCRIPTION | DATE | APPROVED |
|--------|-------------|------|----------|
| 994238 | | | |
| 96214 | | | |
| 994238 | | | |

| REV | DESCRIPTION | DATE | APPROVED |
|-----|-------------|------|----------|
|-----|-------------|------|----------|

LIST OF MATERIALS

07/15/81

| PART NUMBER | REV | DESCRIPTION..... | |
|--------------|-----------|-----------------------------------|---|
| 0994238-0001 | M | CARRIAGE DRIVE MOTOR ASSY -10 CPL | |
| ITEM. | QUANTITY. | COMPONENT.. | DESCRIPTION..... UM |
| 0001 | 00000.000 | 0996336-0001 | ENCODER,SHAFT EA |
| 0001A | | | ITEM 1 CAN BE USED WITH |
| 0001B | | | ITEM 3 AS AN ALTERNATE TO |
| 0001C | | | ITEM 7 |
| 0003 | 00000.000 | 0994206-0001 | MOTOR-D.C. SERVO 25 AMPERES EA |
| | | | ELR - 7-1417 |
| 0003A | | | ITEM 3 CAN BE USED WITH - |
| | | | ELR - 7-1417 |
| 0003B | | | ITEM 1 AS AN ALTERNATE TO |
| | | | ELR - 7-1417 |
| 0003C | | | ITEM 7 |
| | | | ELR - 7-1417 |
| 0004 | 00001.000 | 0994177-0001 | CAPSTAN,MOTOR EA |
| | | | 1215-0177-021 |
| 0005 | REF | 0994396-9901 | PROCEDURE,SITE & DATE CODE SERIALIZATION EA |
| 0006 | 00001.000 | 0232208-3500 | LABEL WIRE MARKER DATABS VINYL CLOTH SH |
| | | | 1286-2208-000 |
| 0007 | 00001.000 | 0994437-0001 | ENCODER/MOTOR ASSEMBLY EA |
| 0008 | 00001.000 | 2210037-0001 | FASTENER, PLASTIC BOSS EA |
| | | | CAPSYS-GTC204-213 |

07/15/81

| PART NUMBER | REV | DESCRIPTION..... | |
|--------------|-----------|--|---|
| 0994238-0002 | M | CARRIAGE DRIVE MOTOR ASSY -10 & 16.5 CPL | |
| ITEM. | QUANTITY. | COMPONENT.. | DESCRIPTION..... UM |
| 0001 | 00000.000 | 0996336-0002 | ENCODER,SHAFT EA |
| 0001A | | | ITEM 1 CAN BE USED WITH |
| 0001B | | | ITEM 3 AS AN ALTERNATE TO |
| 0001C | | | ITEM 7 |
| 0003 | 00000.000 | 0994206-0001 | MOTOR-D.C. SERVO 25 AMPERES EA |
| | | | ELR - 7-1417 |
| 0003A | | | ITEM 3 CAN BE USED WITH - |
| | | | ELR - 7-1417 |
| 0003B | | | ITEM 1 AS AN ALTERNATE TO |
| | | | ELR - 7-1417 |
| 0003C | | | ITEM 7 |
| | | | ELR - 7-1417 |
| 0004 | 00001.000 | 0994177-0001 | CAPSTAN,MOTOR EA |
| | | | 1215-0177-021 |
| 0005 | REF | 0994396-9901 | PROCEDURE,SITE & DATE CODE SERIALIZATION EA |
| 0006 | AR | 0232208-7000 | LABEL 1X3INS RECTL SELF-ADHESIVE BX |
| | | | DEN -43551 |
| 0007 | 00001.000 | 0994437-0002 | ENCODER/MOTOR ASSEMBLY EA |
| 0008 | 00001.000 | 2210037-0001 | FASTENER, PLASTIC BOSS EA |
| | | | CAPSYS-GTC204-213 |

LIST OF MATERIALS

07/15/81

PART NUMBER REV DESCRIPTION.....
 0994238-0003 M CARRIAGE DRIVE MOTOR ASSY-10 CPI (820)

| ITEM. | QUANTITY. | COMPONENT.. | DESCRIPTION..... | UM |
|-------|-----------|--------------|---|----|
| 0001 | 00000.000 | C996336-0003 | ENCODER, SHAFT TWO QDRTR AT 288 PUL P/REV 001255- | EA |
| 0001A | | | ITEM 1 CAN BE USED WITH 001255- | |
| 0001B | | | ITEM 3 AS AN ALTERNATE TO 001255- | |
| 0001C | | | ITEM 7 001255- | |
| 0003 | 00000.000 | C994206-0001 | MOTOR-D.C. SERVO 25 AMPERES ELR - 7-1417 | EA |
| 0003A | | | ITEM 3 CAN BE USED WITH ELR - 7-1417 | |
| 0003B | | | ITEM 1 AS AN ALTERNATE TO ELR - 7-1417 | |
| 0003C | | | ITEM 7 ELR - 7-1417 | |
| 0004 | 00001.000 | 0994177-0001 | CAPSTAN, MOTOR 1215-0177-021 | EA |
| 0005 | REF | 0994396-9901 | PROCEDURE, SITE & DATE CODE SERIALIZATION | EA |
| 0006 | 00001.000 | 0232208-3500 | LABEL WIRE MARKER DATABS VINYL CLOTH 1286-2208-000 | SH |
| 0007 | 00001.000 | 0994437-0003 | ENCODER/MOTOR ASSEMBLY-19.0"CA LG | EA |
| 0008 | 00001.000 | 2210037-0001 | FASTENER, PLASTIC BOSS CAPSYS-GTC204-213 | EA |

07/15/81

PART NUMBER REV DESCRIPTION.....
 0994238-0004 M CARRIAGE DR MOTOR ASSY 10&16.5CPI(820)

| ITEM. | QUANTITY. | COMPONENT.. | DESCRIPTION..... | UM |
|-------|-----------|--------------|---|----|
| 0001 | 00000.000 | 0996336-0004 | ENCODER, SHAFT FOUR QDRTR, 2/288 2/475 PUL 001255- | EA |
| 0001A | | | ITEM 3 CAN BE USED WITH 001255- | |
| 0001B | | | ITEM 1 AS AN ALTERNATE TO 001255- | |
| 0001C | | | ITEM 7 001255- | |
| 0003 | 00000.000 | 0994206-0001 | MOTOR-D.C. SERVO 25 AMPERES ELR - 7-1417 | EA |
| 0003A | | | ITEM 3 CAN BE USED WITH ELR - 7-1417 | |
| 0003B | | | ITEM 1 AS AN ALTERNATE TO ELR - 7-1417 | |
| 0003C | | | ITEM 7 ELR - 7-1417 | |
| 0004 | 00001.000 | 0994177-0001 | CAPSTAN, MOTOR 1215-0177-021 | EA |
| 0005 | REF | 0994396-9901 | PROCEDURE, SITE & DATE CODE SERIALIZATION | EA |
| 0006 | 00001.000 | 0232208-3500 | LABEL WIRE MARKER DATABS VINYL CLOTH 1286-2208-000 | SH |
| 0007 | 00001.000 | 0994437-0004 | ENCODER/MOTOR ASSEMBLY-19.0"CA LG | EA |
| 0008 | 00001.000 | 2210037-0001 | FASTENER, PLASTIC BOSS CAPSYS-GTC204-213 | EA |

LIST OF MATERIALS

07/15/81

PART NUMBER REV DESCRIPTION.....
 0994238-8001 M MOTOR ASSY,CARRIAGE DRIVE #1 MC810

| ITEM. | QUANTITY. | COMPONENT.. | DESCRIPTION..... | UM |
|-------|-----------|--------------|--|----|
| JUJ1 | 00001.000 | 0994238-0001 | CARRIAGE DRIVE MOTOR ASSY -10 CPL 1225-1238-000 | EA |

07/15/81

PART NUMBER REV DESCRIPTION.....
 0994238-8002 M MOTOR ASSY,CARRIAGE DRIVE #2 MC810

| ITEM. | QUANTITY. | COMPONENT.. | DESCRIPTION..... | UM |
|-------|-----------|--------------|---|----|
| 0001 | 00001.000 | 0994238-0002 | CARRIAGE DRIVE MOTOR ASSY -10 & 16.5 CPI 1225-2238-000 | EA |

07/15/81

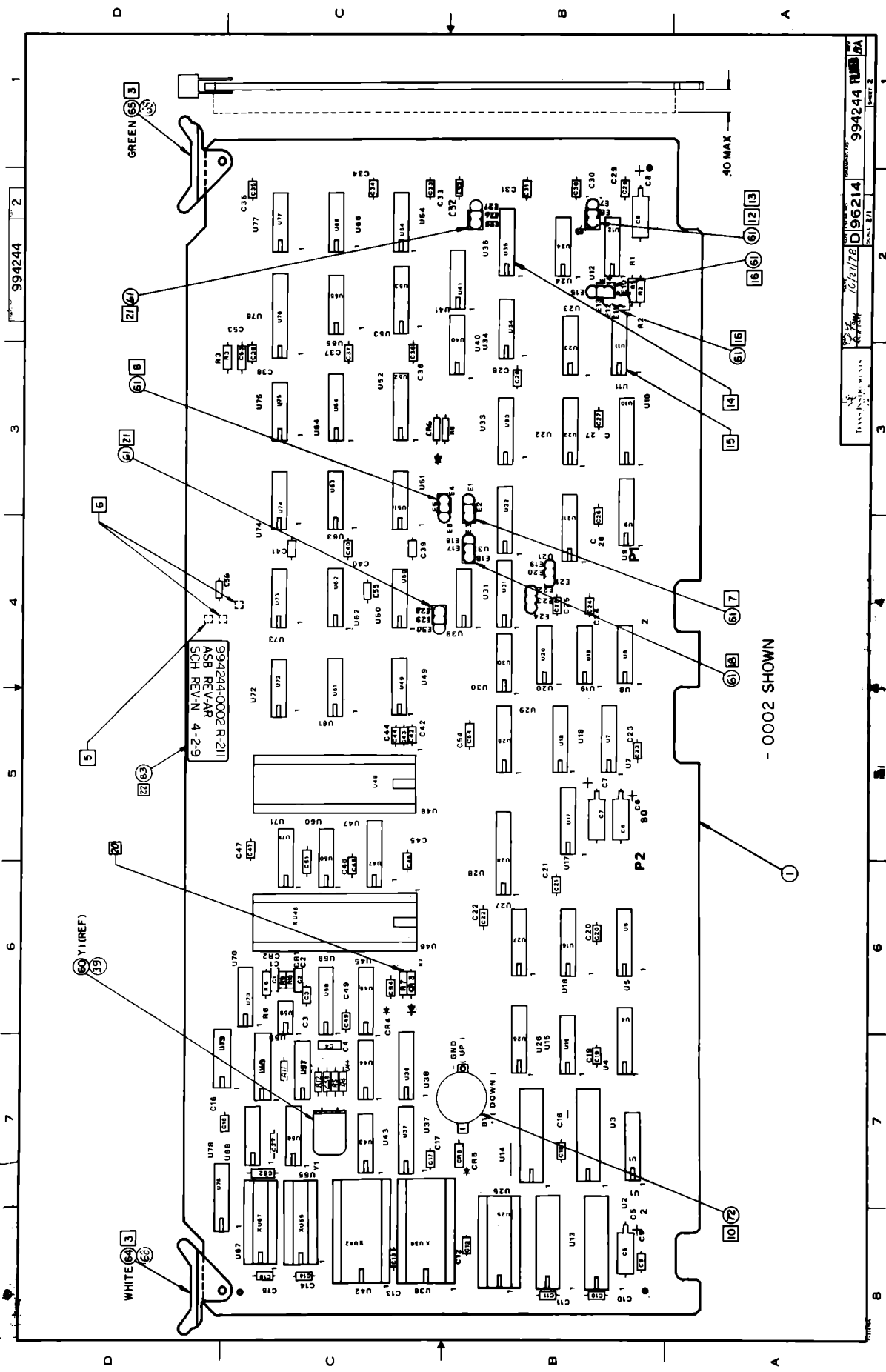
PART NUMBER REV DESCRIPTION.....
 0994238-8003 M CARRIAGE DRIVE MOTOR ASSY-10 CPI (820)

| ITEM. | QUANTITY. | COMPONENT.. | DESCRIPTION..... | UM |
|-------|-----------|--------------|---|----|
| 0001 | 00001.000 | 0994238-0003 | CARRIAGE DRIVE MOTOR ASSY-10 CPI (820) 1221-3238-000 | EA |

07/15/81

PART NUMBER REV DESCRIPTION.....
 0994238-8004 M CARRIAGE DR MOTOR ASSY 10+16.5CPI(820)

| ITEM. | QUANTITY. | COMPONENT.. | DESCRIPTION..... | UM |
|-------|-----------|--------------|---|----|
| 0001 | 00001.000 | 0994238-0004 | CARRIAGE DR MOTOR ASSY 10&16.5CPI(820) 1221-4238-000 | EA |



- 0002 SHOWN

994244 2 3 4 5 6 7 8

994244 R 211
 994244-0002 R 211
 ASB REV. A
 SCH REV. A 4-2-9

List of Materials

05/12/84

| PART NUMBER | REV | DESCRIPTION..... | UM | |
|-------------|-----------|------------------|--|----|
| 097244-0002 | DF | PROCESSOR, 810 | | |
| ITEM. | QUANTITY. | COMPONENT.. | DESCRIPTION..... | UM |
| J002 | 00001.000 | 0944472-0001 | NETWORK,TMS-8080 MICRO PROCESSOR 1208- -C06 U46 | EA |
| J002A | | | 1208- -J0C | |
| J003 | 00001.000 | 0972469-0001 | NETWORK,I/O AND TIMER DEVICE (TMS5501) TI- -TMS5501 | EA |
| J003A | | | U48 | |
| J004 | 00004.000 | 0996203-0002 | IC,S 5101L-1 1024BIT(256 X 4)ST CMOS RAM 034649-S5101L-1 | EA |
| J004A | | | U2,U3,U13,U14 034649-S5101L-1 | |
| J005 | 00001.000 | 0996488-0002 | IC, 4096 X 8 BIT ROM, 2A 3201 001295-SEE TI DWG | EA |
| J005A | | | U36 001295-SEE TI DWG | |
| J022 | 00001.000 | 0972500-7400 | NETWORK SN74LS00N 1233-7564-000 | EA |
| J022A | | | U49 1233-7564-000 | |
| J039 | 00001.000 | 2211540-0001 | FCAM, .35X.50X.05,PGLY, ADHESIVE BACKED SEE TI- DRAWING | EA |
| J051 | 00002.000 | 0972929-0376 | CAP FIX CERAMIC 68.0 PF 10 % 200 V CPL -M39014/01-1376 | EA |
| J051A | | | C1,C2 CPL -M39014/01-1376 | |
| J052 | 00001.000 | 0972929-0379 | CAP FIX CERAMIC 100 PF 10 % 200 V CPL -M39014/01-1379 | EA |
| J052A | | | C4 CPL -M39014/01-1379 | |
| J053 | 00015.000 | 0972763-0021 | CAP.,FIXED,AXIAL LEAD,.047 UF,+80%,-20% 1632-000J-C00 | EA |
| J053A | | | C9,C10,C11,C14,C15,C17,C24 1632-0000-000 | |
| J053B | | | C25,C28,C29,C36,C37,C39,C40 1632-0000-000 | |
| J053C | | | C41 1632-0000-C00 | |
| J054 | 00002.000 | 0972924-0006 | CAP FIX TANT SOLID 35 UFD 10% 10 VOLT CPL -M39003/1-2259 | EA |
| J054A | | | C5,C8 CPL -M39003/1-2259 | |
| J056 | 00001.000 | 2210188-0009 | SOCKET, LOW PROFILE, DIP, 40 PINS 003612-DILB40P-108 | EA |
| J056A | | | XU48 003612-DILB40P-108 | |
| J057 | 00002.000 | 2210188-0007 | SOCKET, LOW PROFILE, DIP, 24 PINS 003612-DILB24P-108 | EA |
| J057A | | | XU36,XU42 003612-DILB24P-108 | |
| J058 | 00001.000 | 2210188-0006 | SOCKET,LOW PROFILE,DIP, 22 PINS, 10 CONT 003612-DILB22P-108 | EA |
| J058A | | | XU25 003612-DILB22P-108 | |
| J059 | 00002.000 | 2210188-0005 | SOCKET, LOW PROFILE, DIP, 20 PINS 003612-DILB20P-108 | EA |
| J059A | | | XU55,XU67 003612-DILB20P-108 | |
| J060 | 00001.000 | 0972445-0001 | CRYSTAL,12 MHZ,QUARTZ SEE - TI DRAWING | EA |
| J060A | | | Y1 SEE - TI DRAWING | |

List of Materials

05/12/84

| PART NUMBER | REV | DESCRIPTION..... | UM | |
|--------------|-----------|------------------|--|----|
| 0994244-0002 | BF | PROCESSOR, 81J | | |
| ITEM. | QUANTITY. | COMPONENT.. | DESCRIPTION..... | UM |
| 0061 | 00008.000 | 0972487-0001 | JUMPER PLUG,CONNECTOR BLACK 5935-3900-000 | EA |
| 0064 | 00001.000 | 0413277-0001 | EJECTOR,PCB,NON-LOCKING,WHITE SCA -S-200(NATURAL) | EA |
| 0065 | 00001.000 | 0413277-0009 | EJECTOR,PCB,NON-LOCKING,GREEN SCA -S-200(D.GREEN) | EA |
| 0066 | REF | 0994247-9901 | DIAGRAM, LOGIC, PROCESSOR | EA |
| 0067 | REF | 0903412-9901 | REVISION LEVEL STATUS,#C810/ATS | EA |
| 0068 | 00002.000 | 0005936-0065 | EYELET,ROLLED FLANGE,.089 C.D. X .312 LG | EA |
| 0072 | 00001.000 | 0994379-0001 | RETAINER,BATTERY 1680-0379-999 | EA |
| 0073 | REF | 0994396-9901 | PROCEDURE,SITE & DATE CCCE SERIALIZATION | EA |
| 0075 | 00001.000 | 0994244-5002 | AUTO-INSERTED PARTS LIST FOR 994244-0002 1225-5244-999 | EA |
| 0076 | 00001.000 | 0972946-0065 | RES FIX 1.0K OHM 5% .25 W CARBON FILM R0H - R-25 | EA |
| 0076A | | | R1 R0H - R-25 | |
| 0077 | 00001.000 | 0972763-0025 | CAPACITOR,.10UF 50V FX,CERAMIC DIEL COR CA-C03Z5U104Z050A | EA |
| 0077A | | | C52 COR CA-C03Z5U104Z050A | |
| 0081 | 00002.000 | 0972946-0029 | RES FIX 33.0 OHM 5% .25 W.CARBON FILM R0H - R-25 | EA |
| 0081A | | | R9,R10 R0H - R-25 | |

05/12/84

| PART NUMBER | REV | DESCRIPTION..... | UM | |
|--------------|-----------|--|--------------------------------------|----|
| 0994244-5002 | BF | AUTO-INSERTED PARTS LIST FOR 994244-0002 | | |
| ITEM. | QUANTITY. | COMPONENT.. | DESCRIPTION..... | UM |
| 0001 | 00001.000 | 0994243-0001 | PWB,PROCESSOR | EA |
| 0012 | 00001.000 | 0222222-7404 | NETWORK SN7404N | EA |
| 0012A | | | U11 | |
| 0013 | 00002.000 | 0222222-7405 | NETWORK SN7405N | EA |
| 0013A | | | U8,U19 | |
| 0014 | 00001.000 | 0222222-7406 | NETWORK SN7406N | EA |
| 0014A | | | U20 | |
| 0015 | 00001.000 | 0972900-7474 | NETWORK SN74LS74N | EA |
| 0015A | | | U73 | |
| 0016 | 00001.000 | 0972900-7155 | NETWORK SN74LS155N TI -SN74LS155N | EA |
| 0016A | | | U17 TI -SN74LS155N | |

05/12/84

List of Materials

| PART NUMBER | REV | DESCRIPTION..... | UM | |
|--------------|-----------|--|--------------------------------------|----|
| 0994244-5002 | BF | AUTC-INSERTED PARTS LIST FGR 994244-0002 | | |
| ITEM. | QUANTITY. | COMPONENT.. | DESCRIPTION..... | UM |
| 0017 | 00002.000 | 0972686-0001 | NETWORK-QUAD MULTIPLEXER, SN74LS157N | EA |
| 0017A | | | U26,U27 | |
| 0018 | 00001.000 | 0972900-7175 | NETWORK SN74LS175N | EA |
| 0018A | | | U69 | |
| 0019 | 00002.000 | 0972817-0002 | IC,SN74LS193 4 BIT-UP/DOWN COUNTERS | EA |
| 0019A | | | U52,U64 | |
| 0020 | 00001.000 | 0972653-0001 | NETWORK,SN74LS293N | EA |
| 0020A | | | U53 | |
| 0021 | 00002.000 | 0976049-0001 | IC,SN74LS298N QUAD 2-INPUT MPXR | EA |
| 0021A | | | TI -SN74LS298N U5, U16 | |
| 0022 | 00001.000 | 0972856-0001 | NETWORK, SN74LS16N | EA |
| 0022A | | | U51 | |
| 0023 | 00002.000 | 0976035-0002 | IC,4 BIT COUNTER SN74LS393N | EA |
| 0023A | | | -SN74LS393N U15,U44 | |
| 0024 | 00001.000 | 0800118-0013 | RESISTOR, FIXED-ARRAY, 4.7K | EA |
| 0024A | | | U47 | |
| 0025 | 00002.000 | 0972900-7402 | NETWORK,SN74LS02N | EA |
| 0025A | | | U50,U75 | |
| 0026 | 00005.000 | 0972900-7404 | NETWORK SN74LS04N | EA |
| 0026A | | | U57,U60,U63,U71,U77 | |
| 0026B | | | *NOTE:AN SN7404N CANNOT BE | |
| 0026C | | | *USED AS AN SUBSTITUTE | |
| 0027 | 00004.000 | 0972749-0001 | NETWORK, SN74LS08N | EA |
| 0027A | | | U41,U51,U62,U70 | |
| 0028 | 00002.000 | 0972788-0001 | NETWORK,SN74LS11,POSITIVE AND GATE | EA |
| 0028A | | | U43,U68 | |
| 0029 | 00001.000 | 0972900-7420 | NETWORK SN74LS20N | EA |
| 0029A | | | U66 | |
| 0030 | 00001.000 | 0972813-0001 | NETWORK-SN74LS21N | EA |
| 0030A | | | U40 | |
| 0031 | 00003.000 | 0972900-7432 | NETWORK SN74LS32N | EA |
| | | | TI -SN74LS32N | |

List of Materials

05/12/84

| PART NUMBER | REV | DESCRIPTION..... | UM | |
|--------------|-----------|--|--|----|
| 0994244-5J02 | BF | AUTO-INSERTED PARTS LIST FOR 954244-J002 | | |
| ITEM. | QUANTITY. | COMPONENT.. | DESCRIPTION..... | UM |
| 0031A | | | U39,U61,U74 TI -SN74LS32N | |
| 0032 | J0003.000 | 0972900-7451 | NETWORK SN74LS51N | EA |
| J032A | | | TI -SN74LS51N U23,U65,U79 | |
| 0033 | J0001.000 | 0972900-7138 | NETWORK SN74LS138N | EA |
| J033A | | | TI -SN74LS138N U78 | |
| 0034 | J0002.000 | 0996136-0001 | IC,SN74LS257N,DATA SELECTORS/MULTIPLEXER | EA |
| J034A | | | TI -SN74LS257N U37,U38 | |
| 0035 | J0004.000 | 0996136-0002 | IC,SN74LS258N,DATA SELECTORS/MULTIPLEXER | EA |
| J035A | | | TI -SN74LS258N U21,U22,U32,U33 | |
| 0036 | J0003.000 | 0976023-0001 | IC,SN74LS259N | EA |
| J036A | | | TI -SN74LS259N U7,U18,U29 | |
| 0037 | J0003.000 | 0972787-0003 | NETWORK SN74LS367N | EA |
| J037A | | | U31,U45,U58 | |
| 0038 | J0001.000 | 0996015-0001 | IC,QUAD LINE DRIVERS SN75188N | EA |
| J038A | | | TI -SN75188N U12 | |
| 0039 | J0001.000 | 0972450-0002 | NETWORK,SN75189AN/MC1489AL QUAD LINE RCR | EA |
| J039A | | | SEE - TI DRAWING U24 | |
| 0040 | J0001.000 | 0976093-0001 | NETWORK,SN75350P,DUAL NAND DRIVER | EA |
| J040A | | | U59 | |
| 0041 | J0003.000 | 0800118-0008 | RESISTOR NETWORK,1.0K CHMS 2% DIP 16-PIN | EA |
| J041A | | | BEC -8981R1.0K U4,U9,U10 | |
| 0042 | J0001.000 | 0800118-0015 | RESISTOR 6.8KOHMS DIL PULL UP 16 PINS | EA |
| J042A | | | BEC -8981R6.8K U1 | |
| 0043 | J0001.000 | 0972141-0048 | NETWORK,RES. 2.0 K OHM 2% 14 PIN DIP | EA |
| J043A | | | BEC - 899-1-R2.0K U34 | |
| 0044 | J0001.000 | 0972900-7400 | NETWORK SN74LS00N | EA |
| J044A | | | 1233-7564-000 U54 | |
| 0045 | J0001.000 | 0972668-0001 | NETWORK SN74LS251N | EA |
| J045A | | | 1233-7564-000 U35 | |
| 0046 | J0001.000 | 0222222-7474 | NETWORK SN7474N | EA |
| | | | - 3-CGG | |

List of Materials

05/12/84

PART NUMBER REV DESCRIPTION.....
 099424-5002 BF AUTO-INSERTED PARTS LIST FOR 994244-0002

| ITEM. | QUANTITY. | COMPONENT.. | DESCRIPTION..... | UM |
|-------|-----------|--------------|---|----|
| J046A | | | U72 - 3-000 | |
| 0047 | 00001.000 | 0996029-0001 | IC, SN74LS273N OCTAL D-TYPE FLIP/FLOP TI -SN74LS273N | EA |
| 0047A | | | U76 -SN74LS273N | |
| 0048 | 00001.000 | 0996201-0001 | IC, SN74S374N, EDGE-TRIGGERED FLIP-FLOPS TI -SN74S374N | EA |
| 0048A | | | U28 -SN74S374N | |
| 0049 | 00000.000 | 0996508-0001 | IC, 74LS393N DUAL BINARY COUNTER 001295-74LS393N | EA |
| 0049A | | | *THIS ITEM MAY BE USED AS 001295-74LS393N | |
| 0049E | | | *AN ALTERNATE FOR U44 001295-74LS393N | |
| 0049C | | | *(ITEM 23) IT CAN NOT BE 001295-74LS393N | |
| 0049D | | | *USED IN PLACE OF U15 001295-74LS393N | |
| 0078 | 00000.000 | 0972120-0001 | NETWORK, SN74259 8-BIT ADDRESSABLE LATCH 001295-74259 | EA |
| 0078A | | | *THIS ITEM MAY BE 001295-74259 | |
| 0078B | | | *SUBSTITUTED AS AN 001295-74259 | |
| 0078C | | | *ALTERNATE FOR ITEM 36 001295-74259 | |
| 0079 | 00001.000 | 0972784-C002 | NETWORK SN74LS14N | EA |
| 0079A | | | U30 | |
| 0084 | 00001.000 | 0994244-5502 | SEQUENCE TAPE FOR -5002 1225-5544-298 | EA |

05/12/84

PART NUMBER REV DESCRIPTION.....
 0994244-5502 BF SEQUENCE TAPE FOR -5002

| ITEM. | QUANTITY. | COMPONENT.. | DESCRIPTION..... | UM |
|-------|-----------|--------------|--|----|
| 0002 | 00003.000 | 0972946-0057 | RES FIX 470 OHM 5% .25 W CARBON FILM R01 - R-25 | EA |
| 0002A | | | R4, R5, R8 | |
| 0003 | 00002.000 | 0972946-0065 | RES FIX 1.0K OHM 5% .25 W CARBON FILM R01 - R-25 | EA |
| 0003A | | | R2, R6 | |
| 0004 | 00001.000 | 0972946-0089 | RES FIX 10K OHM 5% .25 W CARBON FILM 1658- -000 | EA |
| 0004A | | | R3 | |
| 0005 | 00004.000 | 0972932-0001 | 1658- -000 DIODE 1N914B | EA |
| 0005A | | | SEE TI- DRAWING CR3, CR4, CR5, CR6 | |
| 0007 | 00026.000 | 0972763-0021 | SEE TI- DRAWING CAP., FIXED, AXIAL LEAD, .047 UF, +80%, -20% 1632-0000-000 | EA |

List of Materials

05/12/84

| PART NUMBER | REV | DESCRIPTION..... | |
|--------------|-----------|-------------------------|--|
| 0994244-5502 | BF | SEQUENCE TAPE FCR -5002 | |
| ITEM. | QUANTITY. | COMPONENT.. | DESCRIPTION..... UM |
| 0007A | | | C3,C12,C13,C16,C18,C19 1632-0000-000 |
| 0007B | | | C20,C21,C22,C23,C26,C27,C30 1632-0000-000 |
| 0007C | | | C31,C32,C33,C34,C35,C36,C42 1632-0000-000 |
| 0007D | | | C43,C44,C45,C46,C47,C49 1632-0000-000 |
| 0008 | 00001.000 | 0972924-0006 | CAP FIX TANT SOLID 35 UFD 10% 10 VOLT EA QPL -M39003/1-2259 |
| 0008A | | | C6 QPL -M39003/1-2259 |
| 0009 | 00001.000 | 0972924-0014 | CAP FIX TANT SOLID 15 UFD 10% 20 VOLT EA QPL -M39003/1-2289 |
| 0009A | | | C7 QPL -M39003/1-2289 |
| 0047 | 00001.000 | 0972763-0001 | CAPACITOR,.001UF 50V FX CERAMIC DIELECTRIC EA COR CA-C02Z5U102Z100A |
| 0047A | | | C56 COR CA-C02Z5U102Z100A |
| 0048 | 00001.000 | 0972757-0041 | CAP,FX,CERAMIC, 33 PF, 50 V, 10% EA 007115-SEE TI DWG |
| 0048A | | | C55 007115-SEE TI DWG |
| 0062 | 00000.000 | 0972494-0001 | PIN,.025 SQUARE EA AMP - 4-87022-2 |
| 0062A | | | *ALTERNATE FCR ITEM 63 AMP - 4-87022-2 |
| 0063 | 00030.000 | 0972456-0002 | PIN,.025 SQUARE EA 5935-0800-000 |
| 0063A | | | E1,E2,E3,E4,E5,E6,E7,E8,E9 5935-0800-000 |
| 0063B | | | E10,E11,E12,E13,E14,E15,E16 5935-0800-000 |
| 0063C | | | E17,E18,E19,E20,E21,E22,E23 5935-0800-000 |
| 0063D | | | E24,E25,E26,E27,E28,E29,E30 5935-0800-000 |
| 0063E | | | *ITEM 62 IS AN ALTERNATE 5935-0800-000 |
| 0077 | 00003.000 | 0972763-0025 | CAPACITOR,.10UF 50V FX,CERAMIC DIELECTRIC EA COR CA-C03Z5U104Z050A |
| 0077A | | | C51,C53,C54 COR CA-C03Z5U104Z050A |
| 0080 | 00001.000 | 0972947-0051 | RES FIX 270 OHM 5% .5 W CARBON FILM EA R0H - R-50 |
| 0080A | | | R7 R0H - R-50 |
| 0081 | 00002.000 | 0972946-0029 | RES FIX 33.0 OHM 5% .25 W.CARBON FILM EA R0H - R-25 |
| 0081A | | | R11,R12 R0H - R-25 |
| 0082 | 00002.000 | 0972757-0050 | CAPACITOR,68PF,10%,50 WVDC,CERAMIC EA SEE TI- DRAWING |

List of Materials

05/12/84

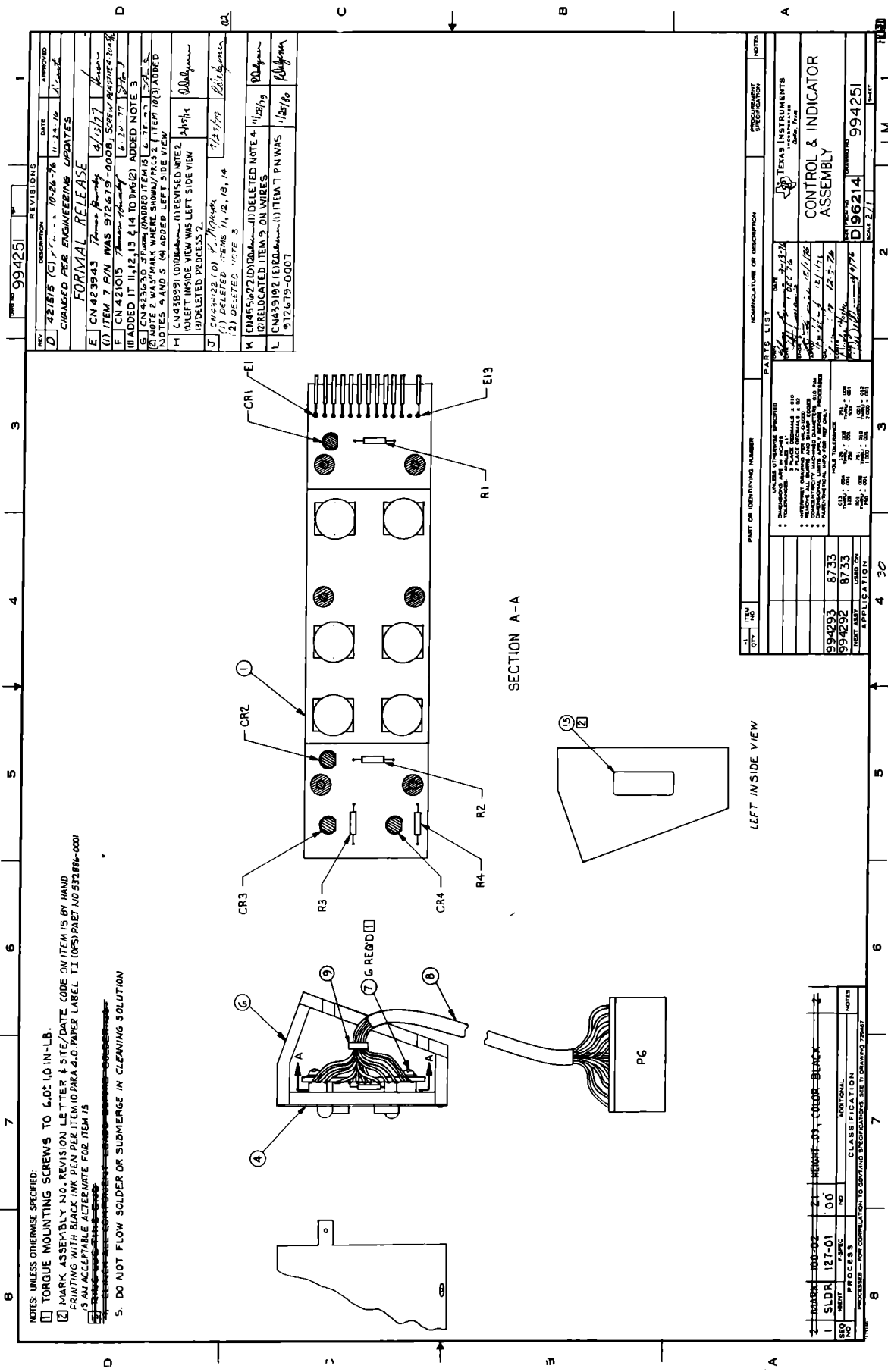
| | | |
|--------------|-----|-------------------------|
| PART NUMBER | REV | DESCRIPTION..... |
| J994244-55J2 | BF | SEQUENCE TAPE FOR -5002 |

| ITEM. | QUANTITY. | COMPONENT.. | DESCRIPTION..... | UM |
|-------|-----------|--------------|---|----|
| 0082A | | | C57,C58 SEE TI- DRAWING | |
| 0083 | 00001.000 | 2363830-0002 | LABEL,SYMBGLIZATION (51MM X 13MM) 1225- -000 | EA |

05/12/84

| | | |
|--------------|-----|-------------------------|
| PART NUMBER | REV | DESCRIPTION..... |
| J994244-8002 | BF | PROCESSOR, 810 (SPARES) |

| ITEM. | QUANTITY. | COMPONENT.. | DESCRIPTION..... | UM |
|-------|-----------|--------------|---------------------------------|----|
| 0001 | 00001.000 | J994244-0002 | PROCESSOR, 810 1225-2244-999 | EA |



NOTES: UNLESS OTHERWISE SPECIFIED:
 [1] TORQUE MOUNTING SCREWS TO 6.0 ± 1.0 IN.-LB.
 [2] MARK ASSEMBLY NO., REVISION LETTER & SITE/DATE CODE ON ITEM 15 BY HAND
 PRINTING WITH BLACK INK PEN PER ITEM 10 PARA 4.0 PAPER LABEL T1 (OPS) PART NO 532886-000
 [3] AN ACCEPTABLE ALTERNATE FOR ITEM 15
 5. DO NOT FLOW SOLDER OR SUBMERGE IN CLEANING SOLUTION

| REV | DESCRIPTION | DATE | APPROVED |
|----------------|--|----------|-----------|
| D | 421515 (C) 10-26-76 CHANGED PER ENGINEERING UPDATES | 11-23-76 | A. J. ... |
| FORMAL RELEASE | | | |
| E | 1) ITEM 7 P/N WAS 912679-0001 SCREEN WASHER BASKET 2) ITEM 11, 12, 13 & 14 (DIMG2) ADDED NOTE 3 | 12-20-77 | J. ... |
| F | 1) ITEM 7 P/N WAS 912679-0001 SCREEN WASHER BASKET 2) ITEM 11, 12, 13 & 14 (DIMG2) ADDED NOTE 3 | 12-20-77 | J. ... |
| G | 1) ITEM 7 P/N WAS 912679-0001 SCREEN WASHER BASKET 2) ITEM 11, 12, 13 & 14 (DIMG2) ADDED NOTE 3 | 12-20-77 | J. ... |
| H | 1) ITEM 7 P/N WAS 912679-0001 SCREEN WASHER BASKET 2) ITEM 11, 12, 13 & 14 (DIMG2) ADDED NOTE 3 | 12-20-77 | J. ... |
| I | 1) ITEM 7 P/N WAS 912679-0001 SCREEN WASHER BASKET 2) ITEM 11, 12, 13 & 14 (DIMG2) ADDED NOTE 3 | 12-20-77 | J. ... |
| J | 1) DELETED ITEM 11, 12, 13, 14 2) DELETED NOTE 3 | 7/13/79 | R. ... |
| K | 1) DELETED NOTE 4 2) RELOCATED ITEM 9 ON WIRES | 11/28/79 | R. ... |
| L | 1) DELETED ITEM 7 P/N WAS 912679-0007 | 1/25/80 | R. ... |

| ITEM NO | QTY | PART OR IDENTIFYING NUMBER | DESCRIPTION | REVISION | NOTES |
|---------|------|----------------------------|------------------------------|----------|-------|
| 994293 | 8733 | | CONTROL & INDICATOR ASSEMBLY | | |
| 994292 | 8733 | | | | |

| REV | DESCRIPTION | DATE | APPROVED |
|-----|----------------|------|----------|
| 1 | SLDR 127-01 00 | | |

FORM NO 994251

REV 1

DATE 11/23/76

APPROVED A. J. ...

CONTROL & INDICATOR ASSEMBLY

PART NO 994251

REV 1

DATE 11/23/76

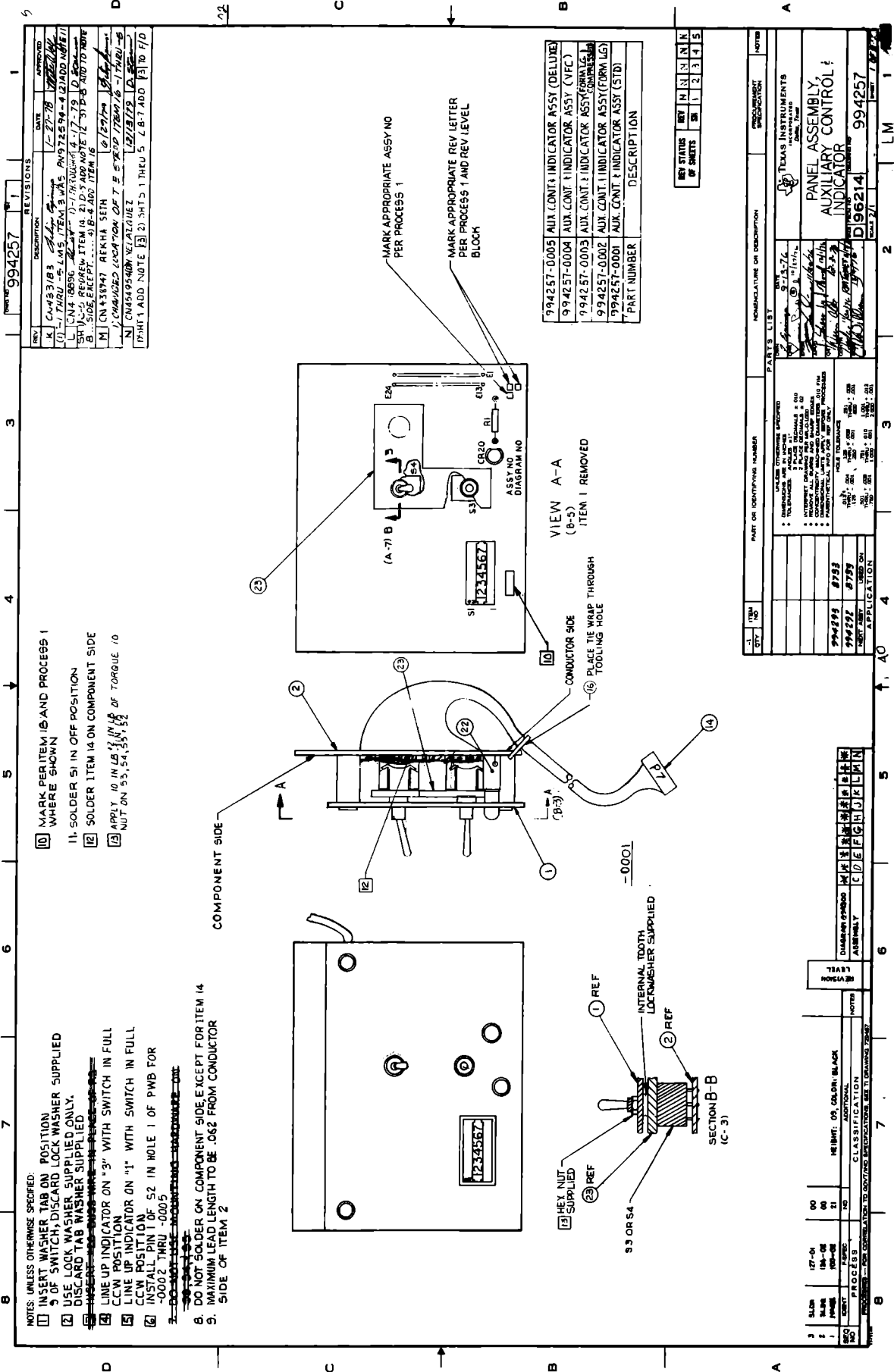
APPROVED A. J. ...

LIST OF MATERIALS

07/15/81

PART NUMBER REV DESCRIPTION.....
 0994251-0001 L CONTROL & INDICATOR ASSY

| ITEM. | QUANTITY. | COMPONENT.. | DESCRIPTION..... | UM |
|-------|-----------|--------------|--|----|
| 0001 | 00001.000 | 0994252-0001 | SWITCH MODULE,CONTROL PANEL | EA |
| 0002 | 00004.000 | 0539480-0003 | POWER INDICATOR LED | EA |
| 0002A | | | CR1,CR2,CR3,CR4 | |
| 0003 | 00004.000 | 0972946-0047 | RES FIX 180 OHM 5 % .25 W CARBON FILM | EA |
| 0003A | | | ROH - R-25 R1,R2,R3,R4 | |
| 0004 | 00001.000 | 0994253-0002 | OVERLAY,PANEL | EA |
| 0006 | 00001.000 | 0994234-0001 | PANEL,CONTROL | EA |
| 0007 | 00006.000 | 0972483-0002 | 1215-0234-020 SCREW,TRI-LOBED,#4 .312LG PLASTICS | EA |
| 0008 | 00001.000 | 0994308-0001 | CSM -GROSS REC 4X.3 CABLE ASSY,CONTROL PANEL | EA |
| 0009 | 00001.000 | 0418212-0040 | 1225-1308-065 STRAP,TIEDOWN,ADJUSTABLE,PLASTIC | EA |
| 0010 | REF | 0994396-9901 | QPL - MS3367-4-9 PROCEDURE,SITE & DATE CODE SERIALIZATION | EA |
| 0015 | AR | 0232208-3500 | LABEL WIRE MARKER DATABS VINYL CLOTH | SH |
| | | | 1286-2208-000 | |



- NOTES: UNLESS OTHERWISE SPECIFIED:
- 1. INSERT WASHER TAB ON POSITION 5 OF SWITCH; DISCARD LOCK WASHER SUPPLIED
 - 2. USE LOCK WASHER SUPPLIED ONLY. DISCARD TAB WASHER SUPPLIED
 - 3. LINE UP INDICATOR ON "3" WITH SWITCH IN FULL CCM POSITION
 - 4. LINE UP INDICATOR ON "1" WITH SWITCH IN FULL CCM POSITION
 - 5. INSTALL NUT OF S2 IN HOLE 1 OF PWB FOR 00002. NUT - 00005
 - 6. DO NOT SOLDER ON COMPONENT SIDE EXCEPT FOR ITEM 14
 - 7. MAXIMUM LEAD LENGTH TO BE .062 FROM CONDUCTOR SIDE OF ITEM 2

- 10. MARK PER ITEM 10 AND PROCESS 1 WHERE SHOWN
- 11. SOLDER 51 IN OFF POSITION
- 12. SOLDER ITEM 14 ON COMPONENT SIDE
- 13. APPLY 10 IN LB INCHES OF TORQUE TO NUT ON 51, 54, 55, 56

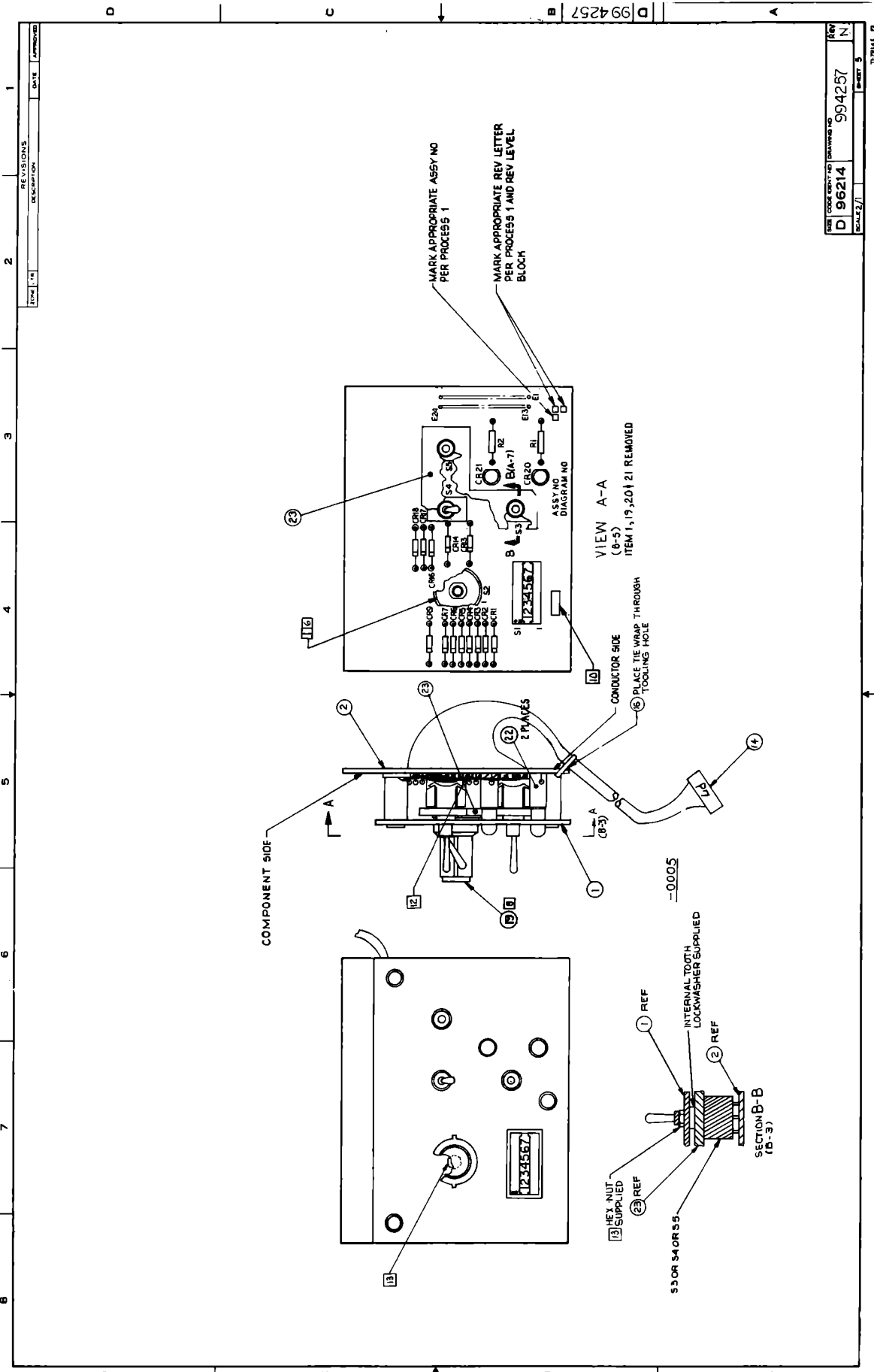
| REV | DESCRIPTION | DATE | APPROVED |
|-----|---|----------|-------------|
| K | CA43183 | 12-27-78 | [Signature] |
| L | 1. INRU - 5 LMS ITEM 3 WAS AN374594-4 (2) ADD NOTE 17 | | |
| M | 1. INRU - 5 LMS ITEM 3 WAS AN374594-4 (2) ADD NOTE 17 | | |
| N | 1. INRU - 5 LMS ITEM 3 WAS AN374594-4 (2) ADD NOTE 17 | | |
| O | 1. INRU - 5 LMS ITEM 3 WAS AN374594-4 (2) ADD NOTE 17 | | |
| P | 1. INRU - 5 LMS ITEM 3 WAS AN374594-4 (2) ADD NOTE 17 | | |
| Q | 1. INRU - 5 LMS ITEM 3 WAS AN374594-4 (2) ADD NOTE 17 | | |
| R | 1. INRU - 5 LMS ITEM 3 WAS AN374594-4 (2) ADD NOTE 17 | | |
| S | 1. INRU - 5 LMS ITEM 3 WAS AN374594-4 (2) ADD NOTE 17 | | |
| T | 1. INRU - 5 LMS ITEM 3 WAS AN374594-4 (2) ADD NOTE 17 | | |
| U | 1. INRU - 5 LMS ITEM 3 WAS AN374594-4 (2) ADD NOTE 17 | | |
| V | 1. INRU - 5 LMS ITEM 3 WAS AN374594-4 (2) ADD NOTE 17 | | |
| W | 1. INRU - 5 LMS ITEM 3 WAS AN374594-4 (2) ADD NOTE 17 | | |
| X | 1. INRU - 5 LMS ITEM 3 WAS AN374594-4 (2) ADD NOTE 17 | | |
| Y | 1. INRU - 5 LMS ITEM 3 WAS AN374594-4 (2) ADD NOTE 17 | | |
| Z | 1. INRU - 5 LMS ITEM 3 WAS AN374594-4 (2) ADD NOTE 17 | | |

| REV | STATUS | BY | IN | SI | IN | IN |
|-----|--------|----|----|----|----|----|
| 1 | 1 | 1 | 1 | 1 | 1 | 1 |
| 2 | 1 | 1 | 1 | 1 | 1 | 1 |
| 3 | 1 | 1 | 1 | 1 | 1 | 1 |
| 4 | 1 | 1 | 1 | 1 | 1 | 1 |
| 5 | 1 | 1 | 1 | 1 | 1 | 1 |

| REV | STATUS | BY | IN | SI | IN | IN |
|-----|--------|----|----|----|----|----|
| 1 | 1 | 1 | 1 | 1 | 1 | 1 |
| 2 | 1 | 1 | 1 | 1 | 1 | 1 |
| 3 | 1 | 1 | 1 | 1 | 1 | 1 |
| 4 | 1 | 1 | 1 | 1 | 1 | 1 |
| 5 | 1 | 1 | 1 | 1 | 1 | 1 |

| REV | STATUS | BY | IN | SI | IN | IN |
|-----|--------|----|----|----|----|----|
| 1 | 1 | 1 | 1 | 1 | 1 | 1 |
| 2 | 1 | 1 | 1 | 1 | 1 | 1 |
| 3 | 1 | 1 | 1 | 1 | 1 | 1 |
| 4 | 1 | 1 | 1 | 1 | 1 | 1 |
| 5 | 1 | 1 | 1 | 1 | 1 | 1 |

| REV | STATUS | BY | IN | SI | IN | IN |
|-----|--------|----|----|----|----|----|
| 1 | 1 | 1 | 1 | 1 | 1 | 1 |
| 2 | 1 | 1 | 1 | 1 | 1 | 1 |
| 3 | 1 | 1 | 1 | 1 | 1 | 1 |
| 4 | 1 | 1 | 1 | 1 | 1 | 1 |
| 5 | 1 | 1 | 1 | 1 | 1 | 1 |



| | | | |
|------------|-------|--------|------|
| REV | DATE | BY | CHKD |
| D | 96214 | 994257 | N |
| DRAWING NO | | REV | |
| D 96214 | | 994257 | |
| SCALE | | SHEET | |
| 1/1 | | 5 | |

D 994257

| | | |
|---|--|--|
| 1 | | |
| 2 | | |
| 3 | | |
| 4 | | |
| 5 | | |
| 6 | | |
| 7 | | |

LIST OF MATERIALS

07/15/81

PART NUMBER REV DESCRIPTION.....
 0994257-0001 N AUX CONTROL & INDICATOR ASSY,(STD)

| ITEM. | QUANTITY. | COMPONENT.. | DESCRIPTION..... | UM |
|-------|-----------|--------------|---|----|
| 0001 | 00001.000 | 0994255-0001 | PANEL AUXILIARY CONTROL-STANDARD 1680-0255-000 | EA |
| 0002 | 00001.000 | 0994256-0001 | PWB,PANEL,AUX CONTROL | EA |
| 0003 | 00001.000 | 0996798-0007 | SWITCH,SPST, 7 SECT,MULTI DUAL-IN-LINE 081640-SL1007 | EA |
| 0003A | | | S1 081640-SL1007 | |
| 0004 | 00001.000 | 0996170-0001 | SWITCH,SPDT ON-NONE-ON ALS -MTA-1060-PC | EA |
| 0004A | | | S4 | |
| 0005 | 00001.000 | 0539480-0003 | POWER INDICATOR LED ALS -MTA-1060-PC | EA |
| 0005A | | | CR20 | |
| 0006 | 00001.000 | 0772946-0047 | RES FIX 180 OHM 5 % .25 W CARBON FILM ROH - R-25 | EA |
| 0006A | | | R1 | |
| 0007 | 00001.000 | 0996170-0002 | SWITCH,SPDT ON-OFF-ON ALS -MTA-1060-PC | EA |
| 0007A | | | S3 | |
| 0013 | REF | 0994300-9901 | ALS -MTA-1060-PC DIAGRAM,AUX CONTROL PANEL | EA |
| 0014 | 00001.000 | 0994299-0001 | CABLE ASSY, AUX CONTROL & INDICATOR 1225-1299-043 | EA |
| 0015 | REF | 0994248-9901 | WIRE LIST,CABLE ASSY,STD AUX C&I | EA |
| 0016 | 00001.000 | 0418212-0040 | STRAP,TIEDOWN,ADJUSTABLE,PLASTIC QPL - MS3367-4-9 | EA |
| 0017 | REF | 0983412-9901 | REVISION LEVEL STATUS,MC810/ATS | EA |
| 0018 | REF | 0994396-9901 | PROCEDURE,SITE & DATE CODE SERIALIZATION | EA |
| 0022 | 00001.000 | 0962346-0003 | SPACER,LED AUX PANEL .420 DIA 1680-3346-000 | EA |
| 0023 | 00001.000 | 0994452-0001 | PLATE,GROUNDING 1680-0452-000 | EA |

LIST OF MATERIALS

07/15/91

PART NUMBER RLV DESCRIPTION.....
 0994257-0002 N AUX CONTROL & INDICATOR ASSY,FORM LENGTH

| ITEM. | QUANTITY. | COMPONENT.. | DESCRIPTION..... | UM |
|-------|-----------|--------------|---|----|
| 0001 | 00001.000 | 0994255-0002 | PANEL AUXILIARY CONTROL-FORM LENGTH 1680-2255-000 | EA |
| 0002 | 00001.000 | 0994256-0001 | PWB,PANEL,AUX CONTROL | EA |
| 0003 | 00001.000 | 0996798-0007 | SWITCH,SPST, 7 SECT,MULTI DUAL-IN-LINE 081640-SL1007 | EA |
| 0003A | | | S1 081640-SL1007 | |
| 0004 | 00001.000 | 0996170-0001 | SWITCH,SPDT ON-NONE-ON ALS -MTA-1060-PC | EA |
| 0004A | | | S4 ALS -MTA-1060-PC | |
| 0005 | 00001.000 | 0539480-0003 | POWER INDICATOR LED | EA |
| 0005A | | | CR20 | |
| 0006 | 00001.000 | 0972946-0047 | RES FIX 100 OHM 5 % .25 W CARBON FILM R0H - R-25 | EA |
| 0006A | | | R1 R0H - R-25 | |
| 0007 | 00001.000 | 0996170-0002 | SWITCH,SPDT ON-OFF-CN ALS -MTA-1060-PC | EA |
| 0007A | | | S3 ALS -MTA-1060-PC | |
| 0009 | 00001.000 | 0996196-0001 | SWITCH,ROTARY,12 POS ALS -MR0-1-12S-PC | EA |
| 0009A | | | S2 ALS -MR0-1-12S-PC | |
| 0010 | 00000.000 | 0411123-0107 | KN0BS-CONTROL,PLASTIC | EA |
| 0010A | | | ITEM 10 MAY BE USED AS | |
| 0010B | | | ALTERNATE FOR ITEM 19 | |
| 0011 | 00020.000 | 0972932-0001 | DIODE 1N914B SEE TI- DRAWING | EA |
| 0011A | | | CR1 THRU CR19 AND CR22 SEE TI- DRAWING | |
| 0012 | REF | 0994300-9901 | DIAGRAM,AUX CONTROL PANEL | EA |
| 0014 | 00001.000 | 0994299-0002 | CABLE ASSY, AUX CONTROL & INDICATOR 1225-2299-045 | EA |
| 0015 | REF | 0994367-9901 | WIRE LIST,CABLE ASSY,AUX,CONTROL & IND | EA |
| 0016 | 00001.000 | 0418212-0040 | STRAP,TICDOWN,ADJUSTABLE,PLASTIC QPL - MS3367-4-9 | EA |
| 0017 | REF | 0983412-9901 | REVISION LEVEL STATUS,MC810/ATS | EA |
| 0018 | REF | 0994396-9901 | PROCEDURE,SITE & DATE CODE SERIALIZATION | EA |
| 0019 | 00001.000 | 0996648-0001 | KN0B, POINTER 1/8 DIA SHAFT 095146-PZ-08101 | EA |
| 0022 | 00001.000 | 0962346-0003 | SPACER,LED AUX PANEL .420 DIA 1680-3346-000 | EA |
| 0023 | 00001.000 | 0994452-0001 | PLATE,GROUNDING 1680-0452-000 | EA |

LIST OF MATERIALS

07/15/81

| PART NUMBER | REV | DESCRIPTION..... | UM |
|--------------|-----------|--|----|
| 0994257-0003 | N | AUX CONTROL & INDICATOR ASSY | |
| ITEM. | QUANTITY. | COMPONENT.. DESCRIPTION..... | UM |
| 0001 | 00001.000 | 0994255-0003 208 06 1680-3255-000 | EA |
| 0002 | 00001.000 | 0994256-0001 PWB,PANEL,AUX CONTROL | EA |
| 0003 | 00001.000 | 0996798-0007 SWITCH,SPST, 7 SECT,MULTI DUAL-IN-LINE 081640-SL1007 | EA |
| 0003A | | S1 081640-SL1007 | |
| 0004 | 00001.000 | 0996170-0001 SWITCH,SPDT ON-NONE-ON ALS -MTA-106D-PC | EA |
| 0004A | | S4 | |
| 0005 | 00002.000 | 0539480-0003 ALS -MTA-106D-PC POWER INDICATOR LED | EA |
| 0005A | | CR20 CR21 | |
| 0006 | 00002.000 | 0972946-0047 RES FIX 180 OHM 5 % .25 W CARBON FILM R0H - R-25 | EA |
| 0006A | | R1 R2 | |
| 0007 | 00001.000 | 0996170-0002 R0H - R-25 SWITCH,SPDT ON-OFF-ON | EA |
| 0007A | | ALS -MTA-106G-PC | |
| 0009 | 00001.000 | 0996196-0001 S3 ALS -MTA-106G-PC SWITCH,ROTARY,12 POS | EA |
| 0009A | | ALS -MRB-1-12S-PC | |
| 0010 | 00000.000 | 0411123-0107 S2 ALS -MRB-1-12S-PC KNOBS-CONTROL,PLASTIC | EA |
| 0010A | | ITEM 10 MAY BE USED AS | |
| 0010B | | ALTERNATE FOR ITEM 19 | |
| 0011 | 00020.000 | 0972932-0001 DIODE 1N9148 SEE TI- DRAWING | EA |
| 0011A | | CR1 THRU CR19 AND CR22 SEE TI- DRAWING | |
| 0013 | REF | 0994300-9901 DIAGRAM,AUX CONTROL PANEL | EA |
| 0014 | 00001.000 | 0994299-0002 CABLE ASSY, AUX CONTROL & INDICATOR 1225-2299-045 | EA |
| 0015 | REF | 0994367-9901 WIRE LIST,CABLE ASSY,AUX,CONTROL & IND | EA |
| 0016 | 00001.000 | 0418212-0040 STRAP,TIEDOWN,ADJUSTABLE,PLASTIC OPL - MS3367-4-9 | EA |
| 0017 | REF | 0983412-9901 REVISION LEVEL STATUS,MC810/ATS | EA |
| 0018 | REF | 0994396-9901 PROCEDURE,SITE & DATE CODE SERIALIZATION | EA |
| 0019 | 00001.000 | 0996648-0001 KNOB, POINTER 1/8 DIA SHAFT 095146-PZ-08101 | EA |
| 0022 | 00002.000 | 0962346-0003 SPACER,LED AUX PANEL .420 DIA 1680-3346-000 | EA |
| 0023 | 00001.000 | 0994452-0001 PLATE,GROUNDING 1680-0452-000 | EA |

LIST OF MATERIALS

07/15/81

| PART NUMBER | REV | DESCRIPTION..... | UM | |
|--------------|-----------|----------------------------------|--|----|
| 0994257-0004 | N | AUX CONTROL & INDICATOR ASSY,VFC | | |
| ITEM. | QUANTITY. | COMPONENT.. | DESCRIPTION..... | UM |
| 0001 | 00001.000 | 0994255-0004 | PANEL AUXILIARY CONTROL-VFC 1680-4255-000 | EA |
| 0002 | 00001.000 | 0994256-0001 | PWB,PANEL,AUX CONTROL | EA |
| 0003 | 00001.000 | 0996798-0007 | SWITCH,SPST, 7 SECT,MULTI DUAL-IN-LINE 081640-SL1007 | EA |
| 0003A | | | S1 081640-SL1007 | |
| 0004 | 00001.000 | 0996170-0001 | SWITCH,SPDT ON-NONE-ON ALS -MTA-106D-PC | EA |
| 0004A | | | S4 | |
| 0005 | 00001.000 | 0539480-0003 | ALS -MTA-106D-PC POWER INDICATOR LED | EA |
| 0005A | | | CR20 | |
| 0006 | 00001.000 | 0972946-0047 | RES FIX 180 OHM 5 % .25 W CARBON FILM R0H - R-25 | EA |
| 0006A | | | R1 R0H - R-25 | |
| 0007 | 00002.000 | 0996170-0002 | SWITCH,SPDT ON-OFF-ON ALS -MTA-106G-PC | EA |
| 0007A | | | S3 S5 ALS -MTA-106G-PC | |
| 0009 | 00001.000 | 0996196-0001 | SWITCH,ROTARY,12 POS ALS -MR8-1-12S-PC | EA |
| 0009A | | | S2 ALS -MR8-1-12S-PC | |
| 0010 | 00000.000 | 0411123-0107 | KNOB-S-CNTROL,PLASTIC | EA |
| 0010A | | | ITEM 10 MAY BE USED AS | |
| 0010B | | | ALTERNATE FOR ITEM 19 | |
| 0011 | 00013.000 | 0972932-0001 | DIODE IN914B SEE TI- DRAWING | EA |
| 0011A | | | CR1 THRU CR7,CR13,CR14 SEE TI- DRAWING | |
| 0011B | | | CR16 THRU CR18,CR9 SEE TI- DRAWING | |
| 0013 | REF | 0994300-9901 | DIAGRAM,AUX CONTROL PANEL | EA |
| 0014 | 00001.000 | 0994299-0003 | CABLE ASSY,AUX CONTROL & INDICATOR-OPTL 1225-3299-019 | EA |
| 0015 | REF | 0994466-9901 | WIRE LIST,PT-TO-PT,AUX CONTROL & IND CA | EA |
| 0016 | 00001.000 | 0418212-0040 | STRAP,TIEDOWN,ADJUSTABLE,PLASTIC QPL - MS3367-4-9 | EA |
| 0017 | REF | 0983412-9901 | REVISION LEVEL STATUS,MC810/ATS | EA |
| 0018 | REF | 0994396-9901 | PROCEDURE,SITE & DATE CODE SERIALIZATION | EA |
| 0019 | 00001.000 | 0996648-0001 | KNOB, POINTER 1/8 DIA SHAFT 095146-PZ-08101 | EA |
| 0022 | 00001.000 | 0962346-0003 | SPACER,LED AUX PANEL .420 DIA 1680-3346-000 | EA |
| 0023 | 00001.000 | 0994452-0001 | PLATE,GROUNDING 1680-0452-000 | EA |

LIST OF MATERIALS

07/15/81

| PART NUMBER | REV | DESCRIPTION..... | UM | |
|--------------|-----------|-------------------------------------|--|----|
| 0994257-0005 | N | AUX CONTROL & INDICATOR ASSY,DELUXE | | |
| ITEM. | QUANTITY. | COMPONENT.. | DESCRIPTION..... | UM |
| 0001 | 0001.000 | 0994255-0005 | PANEL AUXILIARY CONTROL-VFC & PPR SAVER 1680-5255-000 | EA |
| 0002 | 00001.000 | 0994256-0001 | PWB,PANEL,AUX CONTROL | EA |
| 0003 | 00001.000 | 0996798-0007 | SWITCH,SPST, 7 SECT,MULTI DUAL-IN-LINE 081640-SL1007 | EA |
| 0003A | | | S1 081640-SL1007 | |
| 0004 | 00001.000 | 0996170-0001 | SWITCH,SPDT ON-NONE-ON ALS -MTA-106D-PC | EA |
| 0004A | | | S4 ALS -MTA-106D-PC | |
| 0005 | 00002.000 | 0539480-0003 | POWER INDICATOR LED | EA |
| 0005A | | | CR20 CR21 | |
| 0006 | 00002.000 | 0972946-0047 | RES FIX 180 OHM 5 % .25 W CARBON FILM R0H - R-25 | EA |
| 0006A | | | R1 R2 R0H - R-25 | |
| 0007 | 00002.000 | 0996170-0002 | SWITCH,SPDT ON-OFF-ON ALS -MTA-106G-PC | EA |
| 0007A | | | S3 S5 ALS -MTA-106G-PC | |
| 0009 | 00001.000 | 0996196-0001 | SWITCH,ROTARY,12 POS ALS -MRB-1-12S-PC | EA |
| 0009A | | | S2 ALS -MRB-1-12S-PC | |
| 0010 | 00000.000 | 0411123-0107 | KN0BS-CONTROL,PLASTIC | EA |
| 0010A | | | ITEM 10 MAY BE USED AS | |
| 0010B | | | ALTERNATE FOR ITEM 19 | |
| 0011 | 00013.000 | 0972932-0001 | DIODE IN914B SEE TI- DRAWING | EA |
| 0011A | | | CR1 THRU CR7, CR13,CR14 SEE TI- DRAWING | |
| 0011B | | | CR16 THRU CR18,CR9 SEE TI- DRAWING | |
| 0013 | REF | 0994300-9901 | DIAGRAM,AUX CONTROL PANEL | EA |
| 0014 | 00001.000 | 0994299-0002 | CABLE ASSY, AUX CONTROL & INDICATOR 1225-2299-045 | EA |
| 0015 | REF | 0994367-9901 | WIRE LIST,CABLE ASSY,AUX,CONTROL & IND | EA |
| 0016 | 00001.000 | 0418212-0040 | STRAP,TIEDOWN,ADJUSTABLE,PLASTIC QPL - M53367-4-9 | EA |
| 0017 | REF | 0983412-9901 | REVISION LEVEL STATUS,MC810/ATS | EA |
| 0018 | REF | 0994396-9901 | PROCEDURE,SITE & DATE CODE SERIALIZATION | EA |
| 0019 | 00001.000 | 0996648-0001 | KN0B, POINTER 1/8 DIA SHAFT 095146-PZ-08101 | EA |
| 0022 | 00002.000 | 0962346-0003 | SPACER,LED AUX PANEL .420 DIA 1680-3346-000 | EA |
| 0023 | 00001.000 | 0994452-0001 | PLATE,GROUNDING 1680-0452-000 | EA |

LIST OF MATERIALS

07/15/81

| | | | |
|--------------|-----------|---------------------------------------|--|
| PART NUMBER | REV | DESCRIPTION..... | |
| 0994257-8001 | N | AUX CONT & INDICATOR ASSY (STD) MC810 | |
| ITEM. | QUANTITY. | COMPONENT.. | DESCRIPTION..... UM |
| 0001 | 00001.000 | 0994257-0001 | AUX CONTROL & INDICATOR ASSY,(STD) EA 1225-1257-116 |

07/15/81

| | | | |
|--------------|-----------|--|--|
| PART NUMBER | REV | DESCRIPTION..... | |
| 0994257-8002 | N | AUX CONT & INDICATOR ASSY (FORM LG)MC810 | |
| ITEM. | QUANTITY. | COMPONENT.. | DESCRIPTION..... UM |
| 0001 | 00001.000 | 0994257-0002 | AUX CONTROL & INDICATOR ASSY,FORM LENGTH EA 1225-2257-058 |

07/15/81

| | | | |
|--------------|-----------|--|--|
| PART NUMBER | REV | DESCRIPTION..... | |
| 0994257-8003 | N | AUX CONT & INDICATOR ASSY (FORM LG COMPR | |
| ITEM. | QUANTITY. | COMPONENT.. | DESCRIPTION..... UM |
| 0001 | 00001.000 | 0994257-0003 | AUX CONTROL & INDICATOR ASSY EA 1225-3257-049 |

07/15/81

| | | | |
|--------------|-----------|---------------------------------------|--|
| PART NUMBER | REV | DESCRIPTION..... | |
| 0994257-8004 | N | AUX CONT & INDICATOR ASSY (VFC) MC810 | |
| ITEM. | QUANTITY. | COMPONENT.. | DESCRIPTION..... UM |
| 0001 | 00001.000 | 0994257-0004 | AUX CONTROL & INDICATOR ASSY,VFC EA 1225-4257-026 |

07/15/81

| | | | |
|--------------|-----------|--|---|
| PART NUMBER | REV | DESCRIPTION..... | |
| 0994257-8005 | N | AUX CONT & INDICATOR ASSY (DELUXE) MC810 | |
| ITEM. | QUANTITY. | COMPONENT.. | DESCRIPTION..... UM |
| 0001 | 00001.000 | 0994257-0005 | AUX CONTROL & INDICATOR ASSY,DELUXE EA 1225-5257-099 |

| REV | DESCRIPTION | DATE | APPROVED |
|-----|---|---------|-------------|
| T | CM46524 (D) 7M ADDITION - 0008 & -0002 (1) 1/15/70 | 1/15/70 | [Signature] |
| U | CM46524 (D) 7M DELETED TOLERANCE OF .150 BY ITEM 5 (3) DELETED NOTE B | | |
| V | CM47723 (D) 7M DELETED (UNREPORTED CM 9/27/77) | | |
| W | CM47723 (D) 7M REVISED NOTE 10 (2) - 20-81 | | |
| X | CM47723 (D) 7M REVISED NOTE 10 (2) - 20-81 | | |
| Y | CM47723 (D) 7M REVISED NOTE 10 (2) - 20-81 | | |
| Z | CM47723 (D) 7M REVISED NOTE 10 (2) - 20-81 | | |

NOTES: CONT.

(2) TIGHTEN ITEM 2-4 UNTIL FLANGE OF ITEM 3 IS DEFORMED NOT LESS THAN WHEN THE TOP OF THE SCREW WASHER IS FLUSH WITH THE TOP OF THE FLANGE AND NOT MORE THAN 1/2 OF THE FLANGE THICKNESS

(10) TIGHTEN ITEM 33 UNTIL SCREW-HEAD BOTTOMS AGAINST DISK PLUS 1/8 TO 1/4 TURN MAX APPLY DROP OF SEALING COMPOUND, ITEM 42. INSURE CONTACT WITH BOTH SCREW-HEAD AND ADJUSTMENT DISK. OVERFLOW OF SEALING COMPOUND, ITEM 42, MAY CONTACT A MAXIMUM OF TWO NUTS, ITEM 34

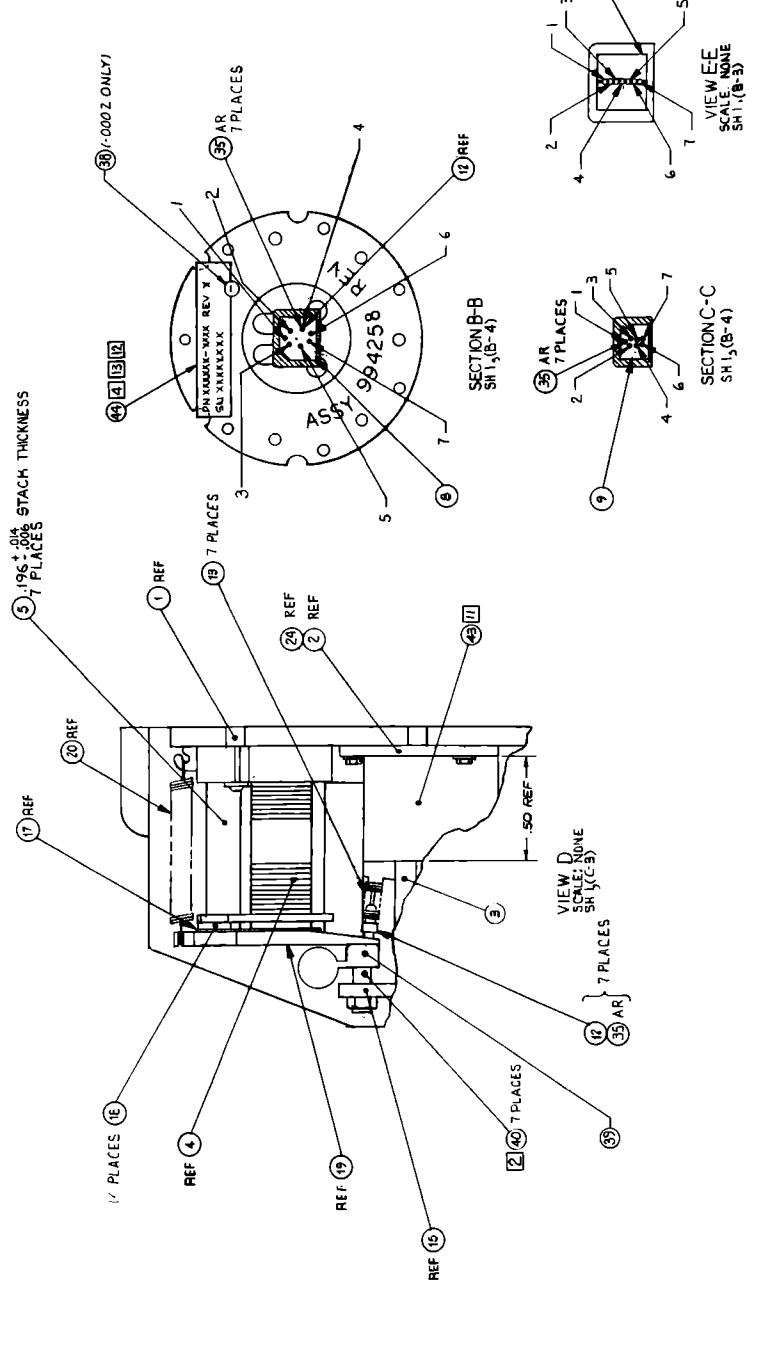
(11) W/TAPE A 3.00 ± .25 LENGTH OF TAPE (ITEM 43) AROUND THE INDICATED PORTION OF THE REAR GUIDE (ITEM 3)

NOTES: CONT.

(12) CORNERS OF ITEM 44 MAY FOLD OVER DUE TO NOTCHES IN ITEM 1

(13) INSTALL LABEL ITEM 44 AFTER INSTALLING COVER, ITEM 22

(14) ADJUST GAP ADJUSTMENT SCREW (ITEM 40) SO THAT WHEN SOLENOID CURRENT IS REMOVED, END OF NEEDLE IS 0.0020 ± 0.0005 FROM END OF ITEM 2 OR ITEM 10 (WHICHEVER PROTRUDES FARTHEST)



| | | | |
|-------|-------------|--------|-------------|
| REV | DESCRIPTION | DATE | APPROVED |
| D | 96214 | 994258 | [Signature] |
| SCALE | 2/1 | REV | V |
| | | | SHEET 2 |

List of Materials

01/28/84

| PART NUMBER | REV | DESCRIPTION..... | |
|--------------|-----------|--------------------|--|
| 0994258-0001 | V | PRINTHEAD ASSEMBLY | |
| ITEM. | QUANTITY. | COMPONENT.. | DESCRIPTION..... UM |
| 0001 | 00001.000 | 0994271-0001 | PLATE, MOUNTING 1680-0271-030 EA |
| 0002 | 00001.000 | 0994295-0001 | HOUSING, NEEDLE 1255-0029-018 EA |
| 0003 | 00001.000 | 0994280-0001 | GUIDE, REAR 1255-0023-000 EA |
| 0004 | 00007.000 | 0994272-0001 | COIL ASSY 0000-0000-000 EA |
| 0005 | 00098.000 | 0994298-0002 | LAMINATION, SOLENOID EA |
| 0006 | 00001.000 | 0994245-0001 | PWB, PRINTHEAD EA |
| 0007 | 00001.000 | 0994334-0001 | SEPARATOR, WIRE 1255-0034-000 EA |
| 0008 | 00001.000 | 0994283-0001 | BEARING, REAR 1255-0025-023 EA |
| 0009 | 00001.000 | 0994282-0001 | BEARING, FRONT 1255-0024-027 EA |
| 0010 | 00001.000 | 0994332-0001 | BEARING, JEWELLED EA |
| 0011 | 00000.001 | 0996527-0002 | ADHESIVE, LOCTITE 414 SUPER BONDER 005972-414 1 OZ BT |
| 0012 | 00007.000 | 2215580-0001 | NEEDLE 1255-1584-021 EA |
| 0013 | 00007.000 | 0994278-0001 | SPRING, NEEDLE, COMP .072 X .240 LONG EA |
| 0015 | 00001.000 | 0994281-0001 | DISC, ADJUSTMENT 1680-0281-032 EA |
| 0017 | 00007.000 | 0994284-0001 | SPACER, GAP EA |
| 0018 | 00014.000 | 0994276-0001 | BUSHING 1255-0022-018 EA |
| 0019 | 00007.000 | 0994275-0001 | ARMATURE EA |
| 0020 | 00007.000 | 0994277-0001 | SPRING, ARMATURE EA |
| 0022 | 00001.000 | 0994331-0001 | COVER, PRINTHEAD 1255-0033-020 EA |
| 0024 | 00008.000 | 0972679-0004 | SCREW # 2-28 X 3/8 SLOTTED HEX EA |
| 0025 | 00004.000 | 0416622-0020 | WASHER, FLAT .105 ID X .250 OD X .016 THK QPL - AN960C3L EA |
| 0026 | 00002.000 | 0972988-0014 | SCREW 4-40 X .312 PAN HEAD CRES EA |
| 0027 | 00002.000 | 0972988-0015 | SCREW 4-40 X .375 PAN HEAD CRES EA |
| 0028 | 00001.000 | 0972988-0016 | SCREW 4-40 X .438 PAN HEAD CRES EA |
| 0029 | 00002.000 | 0972988-0018 | SCREW 4-40 X .625 PAN HEAD CRES EA |
| 0030 | 00006.000 | 0416622-0011 | WASHER #4 FLAT QPL - AN960C4L EA |
| 0031 | 00006.000 | 0411104-0135 | WASHER, LOCK-SPRING, HELICAL, #4 QPL - MS35338-135 EA |
| 0032 | AR | 0996552-0002 | ADHESIVE, 50CC BOTTLE, WELD AND POROSITY 005972-290-31 EA |
| 0033 | 00001.000 | 0972679-0009 | SCREW #4-20 X 3/8 LG THD FORM, HEX EA |
| 0034 | 00007.000 | 0416453-0019 | NUT, PLAIN 2-56 UNC-28 HEX CRES, SMALL QPL - NAS671C2 EA |
| 0035 | AR | 0232573-0001 | OIL #43 TERRESTIC 024522-TERRESTIC 43 EA |

List of Materials

01/28/84

| PART NUMBER | REV | DESCRIPTION..... | | |
|--------------|-----------|--------------------|---|----|
| 0994258-0001 | V | PRINthead ASSEMBLY | | |
| ITEM. | QUANTITY. | COMPONENT.. | DESCRIPTION..... | UM |
| 0036 | REF | 0994396-9901 | PROCEDURE,SITE & DATE CODE SERIALIZATION | EA |
| 0039 | 00001.000 | 0994494-0001 | BUMPER, PRINthead 1255-0041-016 | EA |
| 0040 | 00007.000 | 0994524-0001 | SET SCREW,BUMPER ADJUSTING PRINthead | EA |
| 0042 | AR | 0417741-0001 | COMPOUND, SEALING 001195-TORQUE SEAL | TU |
| 0043 | 00000.250 | 0411435-0416 | INSUL TAPE, ELEC, 1/2"W -SEE TI DWG | RL |
| 0044 | 00001.000 | 0232208-3500 | LABEL WIRE MARKER DATABS VINYL CLOTH 1286-2208-000 | EA |
| 0045 | 00000.000 | 0994274-0001 | NEEDLE 1255-0021-000 | EA |
| 0045A | | | MAY BE USED AS ALTERNATE TO 1255-0021-000 | |
| 0045B | | | ITEM 12 1255-0021-000 | |
| 0046 | 00000.000 | 2215580-0003 | NEEDLE, IMPACT PRINTER, HOOK 1255-0063-000 | EA |
| 0046A | | | MAY BE USED AS ALTERNATE TO 1255-0063-000 | |
| 0046B | | | ITEM 12 1255-0063-000 | |
| 9999 | 00001.000 | 0239999-9999 | COST, SHRINKAGE | EA |

01/28/84

| PART NUMBER | REV | DESCRIPTION..... | | |
|--------------|-----------|------------------------|--|----|
| 0994258-0002 | V | PRINthead ASSY, 9 COPY | | |
| ITEM. | QUANTITY. | COMPONENT.. | DESCRIPTION..... | UM |
| 0001 | 00001.000 | 0994271-0001 | PLATE,MOUNTING 1680-0271-030 | EA |
| 0002 | 00001.000 | 0994295-0001 | HOUSING,NEEDLE 1255-0029-018 | EA |
| 0003 | 00001.000 | 0994280-0001 | GUIDE,REAR 1255-0023-000 | EA |
| 0004 | 00007.000 | 0994272-0001 | COIL ASSY 0000-0000-000 | EA |
| 0005 | 00098.000 | 0994298-0002 | LAMINATION,SOLENOID | EA |
| 0006 | 00001.000 | 0994245-0001 | PWB,PRINthead | EA |
| 0007 | 00001.000 | 0994334-0001 | SEPARATOR,WIRE 1255-0034-000 | EA |
| 0008 | 00001.000 | 0994283-0001 | BEARING,REAR 1255-0025-023 | EA |
| 0009 | 00001.000 | 0994282-0001 | BEARING,FRONT 1255-0024-027 | EA |
| 0010 | 00001.000 | 0994332-0001 | BEARING,JEWELLED | EA |
| 0011 | 00000.001 | 0996527-0002 | ADHESIVE,LOCTITE 414 SUPER BONDER 005972-414 1 OZ | BT |

List of Materials

01/28/84

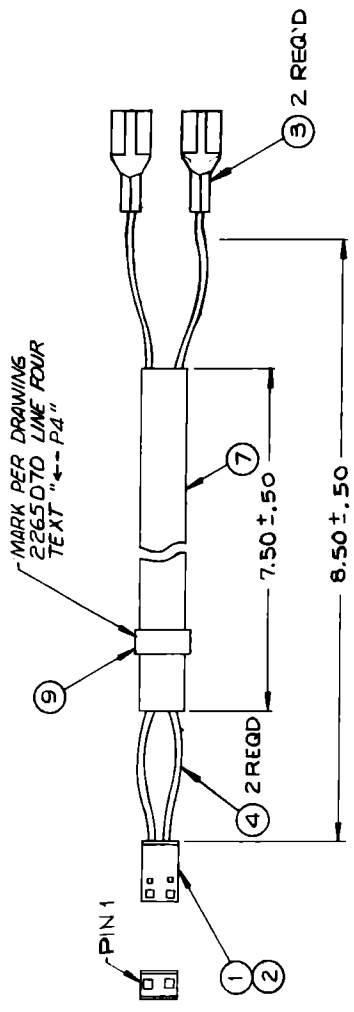
| PART NUMBER | | REV | DESCRIPTION..... | |
|--------------|-----------|--------------|--|----|
| 0994258-0002 | | V | PRINthead ASSY, 9 COPY | |
| ITEM. | QUANTITY. | COMPONENT.. | DESCRIPTION..... | UM |
| 0012 | 00007.000 | 2215580-0001 | NEEDLE 1255-1584-021 | EA |
| 0013 | 00007.000 | 0994278-0001 | SPRING,NEEDLE,COMP .072 X .240 LONG | EA |
| 0015 | 00001.000 | 0994281-0001 | DISC,ADJUSTMENT 1680-0281-032 | EA |
| 0018 | 00014.000 | 0994276-0001 | BUSHING 1255-0022-018 | EA |
| 0019 | 00007.000 | 0994275-0001 | ARMATURE | EA |
| 0020 | 00007.000 | 0994277-0001 | SPRING,ARMATURE | EA |
| 0022 | 00001.000 | 0994331-0001 | COVER,PRINthead 1255-0033-020 | EA |
| 0024 | 00008.000 | 0972679-0004 | SCREW # 2-28 X 3/8 SLOTTED HEX | EA |
| 0025 | 00004.000 | 0416622-0020 | WASHER, FLAT .105 ID X.250 OD X.016 THK QPL -AN960C3L | EA |
| 0026 | 00002.000 | 0972988-0014 | SCREW 4-40 X .312 PAN HEAD CRES | EA |
| 0027 | 00002.000 | 0972988-0015 | SCREW 4-40 X .375 PAN HEAD CRES | EA |
| 0028 | 00001.000 | 0972988-0016 | SCREW 4-40 X .438 PAN HEAD CRES | EA |
| 0029 | 00002.000 | 0972988-0018 | SCREW 4-40 X .625 PAN HEAD CRES | EA |
| 0030 | 00006.000 | 0416622-0011 | WASHER #4 FLAT QPL - AN960C4L | EA |
| 0031 | 00006.000 | 0411104-0135 | WASHER, LOCK-SPRING, HELICAL, #4 QPL - MS35338-135 | EA |
| 0032 | AR | 0996552-0002 | ADHESIVE,50CC BOTTLE,WELD AND POROSITY 005972-290-31 | EA |
| 0033 | 00001.000 | 0972679-0009 | SCREW #4-20 X 3/8"LG THD FORM,HEX | EA |
| 0034 | 00007.000 | 0416453-0019 | NUT,PLAIN 2-56 UNC-2B HEX CRES, SMALL QPL - NAS671C2 | EA |
| 0035 | AR | 0232573-0001 | OIL #43 TERRESTIC 024522-TERRESTIC 43 | EA |
| 0036 | REF | 0994396-9901 | PROCEDURE,SITE & DATE CODE SERIALIZATION | EA |
| 0038 | 00000.007 | 0231792-0006 | COLOR DOT,BLUE .250 DIA. 085480-QD25 BLUE | SH |
| 0039 | 00001.000 | 0994494-0001 | BUMPER, PRINthead 1255-0041-016 | EA |
| 0040 | 00007.000 | 0994524-0001 | SET SCREW,BUMPER ADJUSTING PRINthead | EA |
| 0042 | AR | 0417741-0001 | COMPOUND, SEALING 001195-TORQUE SEAL | TU |
| 0043 | 00000.250 | 0411435-0416 | INSUL TAPE, ELEC, 1/2"W -SEE TI DWG | RL |

List of Materials

01/28/84

| PART NUMBER | REV | DESCRIPTION..... | UM | |
|--------------|-----------|------------------------|---|----|
| 0994258-0002 | V | PRINthead ASSY, 9 COPY | | |
| ITEM. | QUANTITY. | COMPONENT.. | DESCRIPTION..... | UM |
| 0044 | 00001.000 | 0232208-3500 | LABEL WIRE MARKER DATABS VINYL CLOTH 1286-2208-000 | EA |
| 0045 | 00000.000 | 0994274-0001 | NEEDLE 1255-0021-000 | EA |
| 0045A | | | MAY BE USED AS ALTERNATE TO 1255-0021-000 | |
| 0045B | | | ITEM 12 1255-0021-000 | |
| 0046 | 00000.000 | 2215580-0003 | NEEDLE, IMPACT PRINTER, HOOK 1255-0063-000 | EA |
| 0046A | | | MAY BE USED AS ALTERNATE TO 1255-0063-000 | |
| 0046B | | | ITEM 12 1255-0063-000 | |
| 9999 | 00001.000 | 0239999-9999 | COST, SHRINKAGE | EA |

1 (T 5
2
3
4



| ZONE | LTR | DESCRIPTION | DATE | APPROVED |
|------|-------------|---|------|----------|
| A | R. J. Adams | 7-20-76 LM AFFECTED ONLY: ADDED ITEMS 7 & 8 | | |
| B | | FORMAL RELEASE | | |
| C | | 408 507 (D) Edwards 12/21/76 1/17/77 DIM 8.50 WAS 15.0; DIM 7.50 WAS 12.0 ITEM 3 WAS 772163-0002; ITEM 4 WAS 538347-4999.50 DIM WAS 1.50 | | |
| D | | CN 423753 Thomas Shively 2/26/77 1) ITEM 3 PART NO. WAS 0972171-0032 2) ITEM 4 QTY WAS 1.25 3) ITEM 7 QTY WAS 1.0 PART NO. WAS 0411634-2600 4) ITEM 8 VENDOR PART NO. WAS GPL-MS3368-69 5) DELETED DIMENSION .50 ± .25 6) ADDED 2 REQ'D TO BALLOON (4) 7) DELETED P4 FROM CONNECTOR 8) PROCESS CALLOUT WAS MARK PER PROCESS | | |
| E | | CN 434161 (E) J. BAIZA 9/25/78 0) CHANGED ITEM 7 ONLY TO PN. 0972436-0011 SLEEVE, PVC .133 DIA. | | |
| F | | CN 469078 (D) M. WILSON 6-11-80 "... FAR SIDE " | | |
| G | | CN 452323 (D) J. HIGGINS 10-8-80 -1) ITEM 3 PIN WAS 0972171-0055; ITEM 4 PIN WAS 0538347-3999 | | |
| H | | CN 477817 (D) J. HIGGINS 1-28-81 ITEM 8 (2) ADDED ITEM 9 (5) ZEN C-4: DELETED "MARK P4 PER PROCESS 2 FAR SIDE" | | |
| I | | CN 495166 (D) M. DURHAM 9-9-82 (1) ADDED -5001 LM (2) REVISED -0001 LM | | |
| J | | CN 513928 (D) S. D. ADAMS 12-22-83 (1) ADDED -5001 LM (2) REVISED -0001 LM | | |

| | |
|-------------------------|------------------------------------|
| 0994259-5001 | BULK CABLE ASSY MATERIAL FOR -0001 |
| 0994259-0001 | CABLE ASSY, PAPER OUT |
| PART NUMBER DESCRIPTION | |

| ZONE | LTR | DESCRIPTION | DATE | APPROVED |
|------|-----|--|------|----------|
| A | | TEXAS INSTRUMENTS INCORPORATED Equipment Group Dallas, Texas | | |
| B | | CABLE ASSY, PAPER OUT | | |
| C | | SIZE (CODE IDENT NO) DRAWING NO C 96214 994259 | | |
| D | | SCALE 2/1 | | |

| SEC NO | MARK | F-SPEC | NO | PROCESS | CLASSIFICATION | FOR CORRELATION TO GOVT. AND SPECIFICATIONS, SEE TI DRAWING 72847 |
|--------|--------|--------|----|--------------------|----------------|---|
| 1 | 100-07 | 7B | 7B | COLOR WHITE TYPE 9 | ADDITIONAL | |
| 2 | 100-07 | 7B | 7B | COLOR BLACK TYPE 6 | CLASSIFICATION | |

| ITEM NO | QTY REQ'D | ITEM NO | CODE IDENT | PART OR IDENTIFYING NUMBER | NOMENCLATURE OR DESCRIPTION | REQUIREMENT SPECIFICATION |
|---------|-----------|---------|------------|----------------------------|-----------------------------|---------------------------|
| -1 | | | | | | |
| -2 | | | | | | |

UNLESS OTHERWISE SPECIFIED
 * REMOVE ALL BURRS AND SHARP EDGES
 * DIMENSIONS ARE IN INCHES
 * ANGLES ± 1°
 * DECIMALS ± 0.10
 * 2 PLACE DECIMALS ± 0.02

HOLE TOLERANCE
 013 THRU + .004
 125 THRU + .005
 150 THRU + .006
 175 THRU + .007
 200 THRU + .008
 225 THRU + .009
 250 THRU + .010
 275 THRU + .011
 300 THRU + .012
 325 THRU + .013
 350 THRU + .014
 375 THRU + .015
 400 THRU + .016
 425 THRU + .017
 450 THRU + .018
 475 THRU + .019
 500 THRU + .020

APPLICATION
 2222693 B754
 994291 B753
 NEXT ASSY USED ON

DATE 6-23-76
 BY [Signature]
 CHECKED [Signature]
 APPROVED [Signature]
 CONTRACT NO. 8-476
 DRAWING NO. 973
 RELEASE 9/76

SCALE 2/1
 SHEET 340
 LM
 FILED

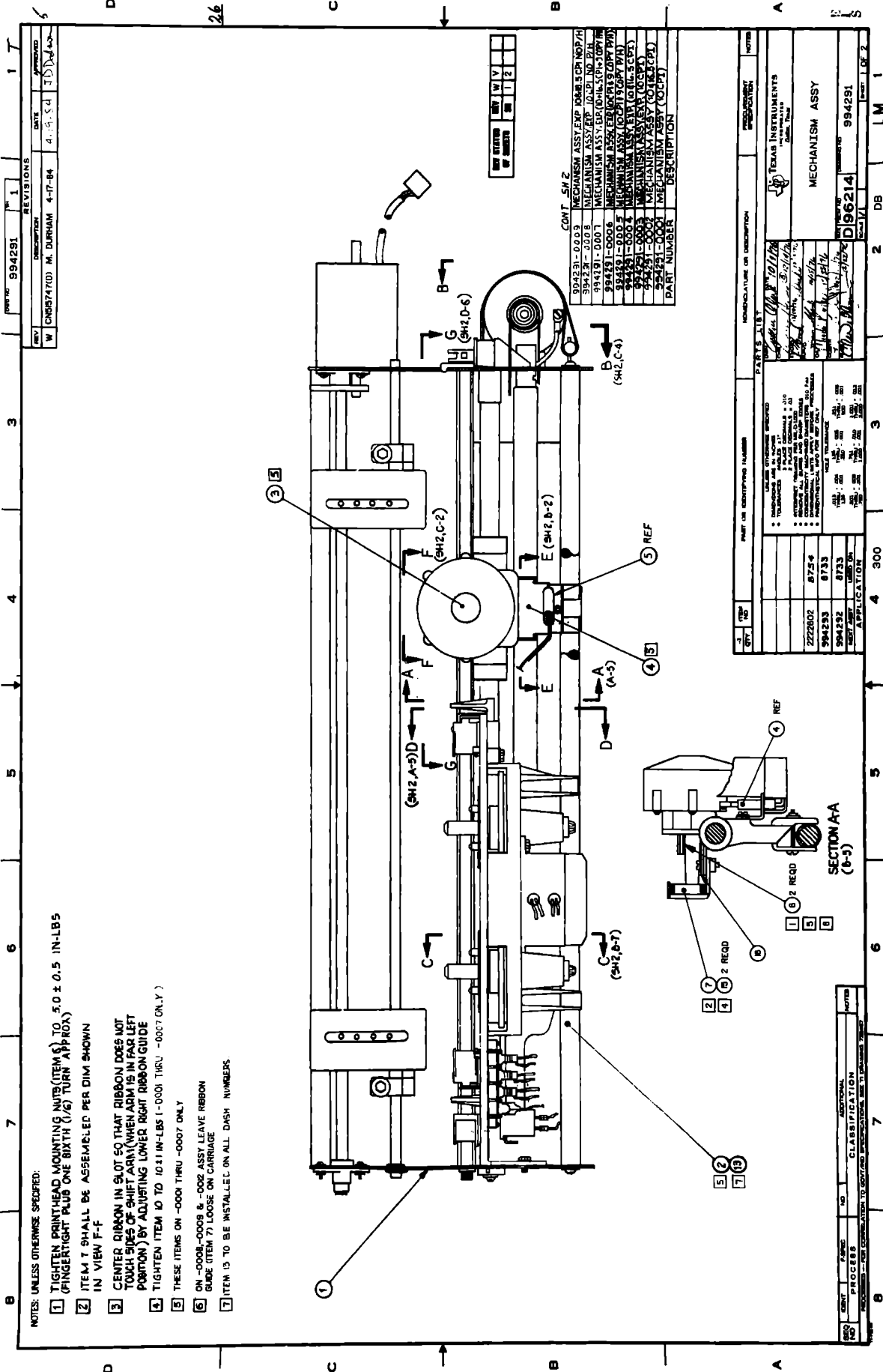
List of Materials

01/28/84

| PART NUMBER | REV | DESCRIPTION..... | UM | |
|--------------|-----------|----------------------|---|----|
| 0994259-0001 | J | CABLE ASSY,PAPER OUT | | |
| ITEM. | QUANTITY. | COMPONENT.. | DESCRIPTION..... | UM |
| 0001 | 00001.000 | 0972484-0002 | CONNECTOR HOUSING 2 CONTACT T18 -7175-6 | EA |
| 0001A | | | P4 | |
| 0005 | 00000.000 | 0772707-0035 | RECEPTACLE,TERMINAL- 2 CAVITIES BEI -65039-035 | EA |
| 0005A | | | ITEMS 5 & 6 MAY BE USED AS | |
| 0005B | | | BEI -65039-035 | |
| 0005C | | | ALTERNATES FOR ITEMS 1 & 2. | |
| 0005D | | | BEI -65039-035 | |
| 0101 | 00001.000 | 0994259-5001 | ITEMS 5 & 6 CAN ONLY BE USED TOGETHER BEI -65039-035 BULK CABLE ASSY MATERIAL FOR -0001 1225-0259-095 | EA |

01/28/84

| PART NUMBER | REV | DESCRIPTION..... | UM | |
|--------------|-----------|------------------------------------|---|----|
| 0994259-5001 | J | BULK CABLE ASSY MATERIAL FOR -0001 | | |
| ITEM. | QUANTITY. | COMPONENT.. | DESCRIPTION..... | UM |
| 0002 | 00002.000 | 0972104-0001 | CONTACT ELEC-LOCKING,WIRE-TO.025 SQ POST AMP - 87124-1 | EA |
| 0002A | | | *ITEM 2 CAN ONLY BE USED | |
| 0002B | | | AMP - 87124-1 | |
| 0002C | | | *TOGETHER WITH ITEM 1 ON AMP - 87124-1 | |
| 0003 | 00002.000 | 0996673-0010 | *994259-0001 AMP - 87124-1 | |
| 0004 | 00001.500 | 2210012-3999 | TERMINAL,QUICK-CONNECT,24-20 WIRE SIZE SEE TI- DRAWING | EA |
| 0006 | 00000.000 | 0972482-0006 | WIRE,WHT,UL 1429, 19X34, 22AWG 6145-3200-000 | FT |
| 0007 | 00000.750 | 0972436-0035 | CONTACT,ELECTRICAL,CRIMP BEI - 75691-006 | EA |
| 0009 | 00001.000 | 2210317-0001 | INSUL SLVG,#6 PVC .166 ID .020THK 003890-HT-105C-6 | FT |
| | | | LABEL,BLANK,CABLE MARKER 085480-SLPF-19319-4 | EA |



NOTES: UNLESS OTHERWISE SPECIFIED:

- 1 TIGHTEN PRINT-HEAD MOUNTING NUTS (ITEM 6) TO $.50 \pm 0.5$ IN-LBS (FINGER-TIGHT PLUS ONE SIXTH (1/6) TURN APPROX)
- 2 ITEM 1 SHALL BE ASSEMBLED PER DIM SHOWN IN VIEW F-F
- 3 CENTER RIBBON IN SLOT SO THAT RIBBON DOES NOT TOUCH SIDES OF SHIFT ARM (WHEN ARM IS IN FAR LEFT POSITION) BY ADJUSTING LOWER RIGHT RIBBON GUIDE
- 4 TIGHTEN ITEM 10 TO 10.31 IN-LBS (-0001 THRU -0007 ON .Y)
- 5 THESE ITEMS ON -0000 THRU -0007 ONLY
- 6 ON -0008 -0009 & -0002 ASSY LEAVE RIBBON GUIDE (ITEM 7) LOOSE ON CARRIAGE
- 7 ITEM 13 TO BE INSTALLED ON ALL DASH NUMBERS

| | | | |
|-----|-------------|---------|-----------|
| REV | DESCRIPTION | DATE | APPROVED |
| 1 | 994291 | 4-17-64 | W. DURHAM |

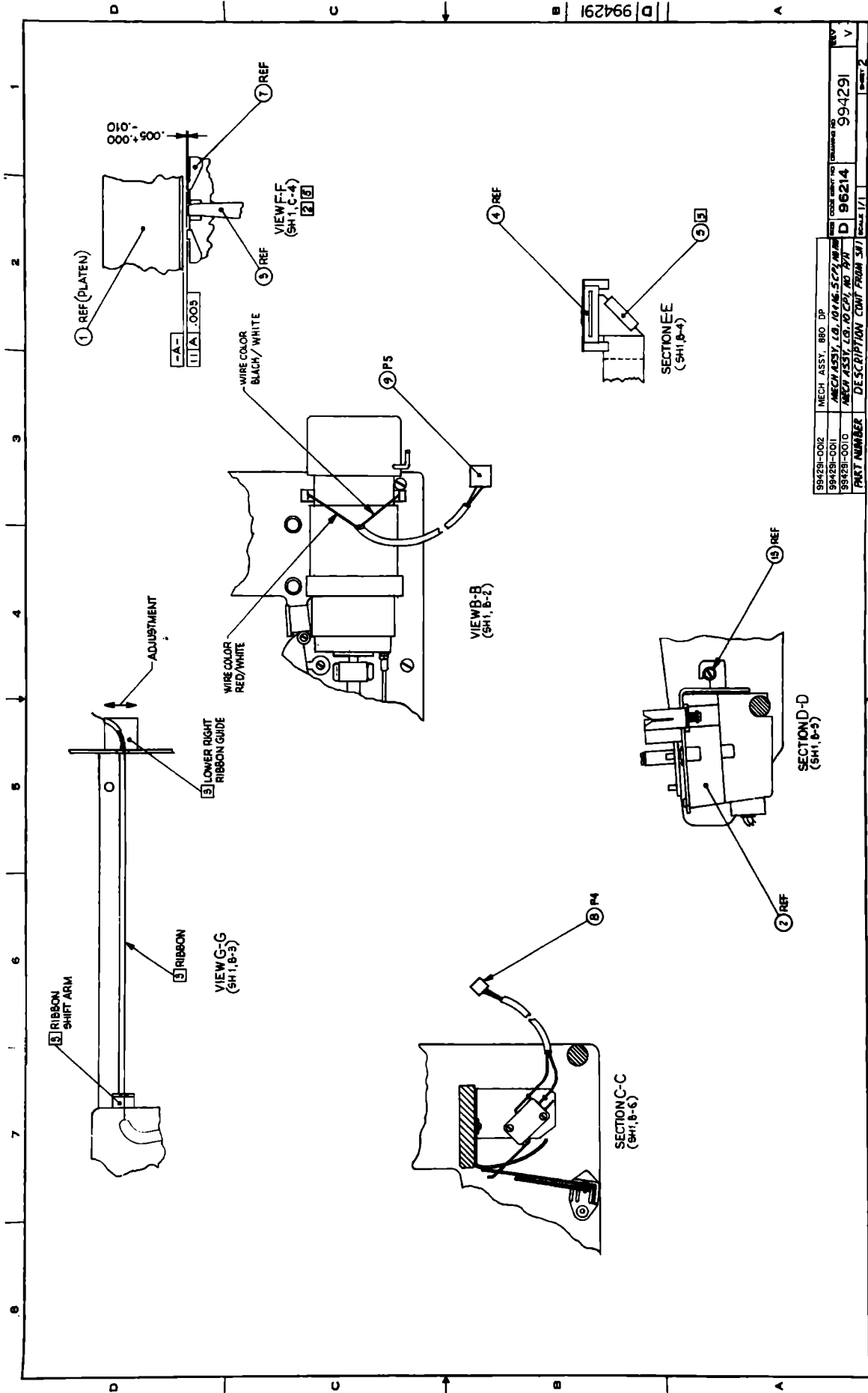
| | | | |
|-----|-------------|---------|-----------|
| REV | DESCRIPTION | DATE | APPROVED |
| 1 | 994291 | 4-17-64 | W. DURHAM |

CONT SW 2

| PART NUMBER | DESCRIPTION |
|-------------|---|
| 994291-0009 | MECHANISM ASSY (EMP. DASH FOR NORTH) |
| 994291-0008 | MECHANISM ASSY (EMP. 10, 11, 12, 13) |
| 994291-0007 | MECHANISM ASSY (EMP. DASH 10, 11, 12, 13) |
| 994291-0006 | MECHANISM ASSY (EMP. DASH 10, 11, 12, 13) |
| 994291-0005 | MECHANISM ASSY (EMP. DASH 10, 11, 12, 13) |
| 994291-0004 | MECHANISM ASSY (EMP. DASH 10, 11, 12, 13) |
| 994291-0003 | MECHANISM ASSY (EMP. DASH 10, 11, 12, 13) |
| 994291-0002 | MECHANISM ASSY (EMP. DASH 10, 11, 12, 13) |
| 994291-0001 | MECHANISM ASSY (EMP. DASH 10, 11, 12, 13) |

| | | | |
|------------|-----|----------------------------|-----|
| PARTS LIST | | MANUFACTURE OR DESCRIPTION | |
| QTY | REF | QTY | REF |
| 1 | 1 | 1 | 1 |
| 1 | 2 | 1 | 2 |
| 1 | 3 | 1 | 3 |
| 1 | 4 | 1 | 4 |
| 1 | 5 | 1 | 5 |
| 1 | 6 | 1 | 6 |
| 1 | 7 | 1 | 7 |
| 1 | 8 | 1 | 8 |
| 1 | 9 | 1 | 9 |
| 1 | 10 | 1 | 10 |
| 1 | 11 | 1 | 11 |
| 1 | 12 | 1 | 12 |
| 1 | 13 | 1 | 13 |
| 1 | 14 | 1 | 14 |
| 1 | 15 | 1 | 15 |
| 1 | 16 | 1 | 16 |
| 1 | 17 | 1 | 17 |
| 1 | 18 | 1 | 18 |
| 1 | 19 | 1 | 19 |
| 1 | 20 | 1 | 20 |
| 1 | 21 | 1 | 21 |
| 1 | 22 | 1 | 22 |
| 1 | 23 | 1 | 23 |
| 1 | 24 | 1 | 24 |
| 1 | 25 | 1 | 25 |
| 1 | 26 | 1 | 26 |
| 1 | 27 | 1 | 27 |
| 1 | 28 | 1 | 28 |
| 1 | 29 | 1 | 29 |
| 1 | 30 | 1 | 30 |
| 1 | 31 | 1 | 31 |
| 1 | 32 | 1 | 32 |
| 1 | 33 | 1 | 33 |
| 1 | 34 | 1 | 34 |
| 1 | 35 | 1 | 35 |
| 1 | 36 | 1 | 36 |
| 1 | 37 | 1 | 37 |
| 1 | 38 | 1 | 38 |
| 1 | 39 | 1 | 39 |
| 1 | 40 | 1 | 40 |
| 1 | 41 | 1 | 41 |
| 1 | 42 | 1 | 42 |
| 1 | 43 | 1 | 43 |
| 1 | 44 | 1 | 44 |
| 1 | 45 | 1 | 45 |
| 1 | 46 | 1 | 46 |
| 1 | 47 | 1 | 47 |
| 1 | 48 | 1 | 48 |
| 1 | 49 | 1 | 49 |
| 1 | 50 | 1 | 50 |
| 1 | 51 | 1 | 51 |
| 1 | 52 | 1 | 52 |
| 1 | 53 | 1 | 53 |
| 1 | 54 | 1 | 54 |
| 1 | 55 | 1 | 55 |
| 1 | 56 | 1 | 56 |
| 1 | 57 | 1 | 57 |
| 1 | 58 | 1 | 58 |
| 1 | 59 | 1 | 59 |
| 1 | 60 | 1 | 60 |
| 1 | 61 | 1 | 61 |
| 1 | 62 | 1 | 62 |
| 1 | 63 | 1 | 63 |
| 1 | 64 | 1 | 64 |
| 1 | 65 | 1 | 65 |
| 1 | 66 | 1 | 66 |
| 1 | 67 | 1 | 67 |
| 1 | 68 | 1 | 68 |
| 1 | 69 | 1 | 69 |
| 1 | 70 | 1 | 70 |
| 1 | 71 | 1 | 71 |
| 1 | 72 | 1 | 72 |
| 1 | 73 | 1 | 73 |
| 1 | 74 | 1 | 74 |
| 1 | 75 | 1 | 75 |
| 1 | 76 | 1 | 76 |
| 1 | 77 | 1 | 77 |
| 1 | 78 | 1 | 78 |
| 1 | 79 | 1 | 79 |
| 1 | 80 | 1 | 80 |
| 1 | 81 | 1 | 81 |
| 1 | 82 | 1 | 82 |
| 1 | 83 | 1 | 83 |
| 1 | 84 | 1 | 84 |
| 1 | 85 | 1 | 85 |
| 1 | 86 | 1 | 86 |
| 1 | 87 | 1 | 87 |
| 1 | 88 | 1 | 88 |
| 1 | 89 | 1 | 89 |
| 1 | 90 | 1 | 90 |
| 1 | 91 | 1 | 91 |
| 1 | 92 | 1 | 92 |
| 1 | 93 | 1 | 93 |
| 1 | 94 | 1 | 94 |
| 1 | 95 | 1 | 95 |
| 1 | 96 | 1 | 96 |
| 1 | 97 | 1 | 97 |
| 1 | 98 | 1 | 98 |
| 1 | 99 | 1 | 99 |
| 1 | 100 | 1 | 100 |

| | | | |
|-----|-----|-----|-----|
| QTY | REF | QTY | REF |
| 1 | 1 | 1 | 1 |
| 1 | 2 | 1 | 2 |
| 1 | 3 | 1 | 3 |
| 1 | 4 | 1 | 4 |
| 1 | 5 | 1 | 5 |
| 1 | 6 | 1 | 6 |
| 1 | 7 | 1 | 7 |
| 1 | 8 | 1 | 8 |
| 1 | 9 | 1 | 9 |
| 1 | 10 | 1 | 10 |
| 1 | 11 | 1 | 11 |
| 1 | 12 | 1 | 12 |
| 1 | 13 | 1 | 13 |
| 1 | 14 | 1 | 14 |
| 1 | 15 | 1 | 15 |
| 1 | 16 | 1 | 16 |
| 1 | 17 | 1 | 17 |
| 1 | 18 | 1 | 18 |
| 1 | 19 | 1 | 19 |
| 1 | 20 | 1 | 20 |
| 1 | 21 | 1 | 21 |
| 1 | 22 | 1 | 22 |
| 1 | 23 | 1 | 23 |
| 1 | 24 | 1 | 24 |
| 1 | 25 | 1 | 25 |
| 1 | 26 | 1 | 26 |
| 1 | 27 | 1 | 27 |
| 1 | 28 | 1 | 28 |
| 1 | 29 | 1 | 29 |
| 1 | 30 | 1 | 30 |
| 1 | 31 | 1 | 31 |
| 1 | 32 | 1 | 32 |
| 1 | 33 | 1 | 33 |
| 1 | 34 | 1 | 34 |
| 1 | 35 | 1 | 35 |
| 1 | 36 | 1 | 36 |
| 1 | 37 | 1 | 37 |
| 1 | 38 | 1 | 38 |
| 1 | 39 | 1 | 39 |
| 1 | 40 | 1 | 40 |
| 1 | 41 | 1 | 41 |
| 1 | 42 | 1 | 42 |
| 1 | 43 | 1 | 43 |
| 1 | 44 | 1 | 44 |
| 1 | 45 | 1 | 45 |
| 1 | 46 | 1 | 46 |
| 1 | 47 | 1 | 47 |
| 1 | 48 | 1 | 48 |
| 1 | 49 | 1 | 49 |
| 1 | 50 | 1 | 50 |
| 1 | 51 | 1 | 51 |
| 1 | 52 | 1 | 52 |
| 1 | 53 | 1 | 53 |
| 1 | 54 | 1 | 54 |
| 1 | 55 | 1 | 55 |
| 1 | 56 | 1 | 56 |
| 1 | 57 | 1 | 57 |
| 1 | 58 | 1 | 58 |
| 1 | 59 | 1 | 59 |
| 1 | 60 | 1 | 60 |
| 1 | 61 | 1 | 61 |
| 1 | 62 | 1 | 62 |
| 1 | 63 | 1 | 63 |
| 1 | 64 | 1 | 64 |
| 1 | 65 | 1 | 65 |
| 1 | 66 | 1 | 66 |
| 1 | 67 | 1 | 67 |
| 1 | 68 | 1 | 68 |
| 1 | 69 | 1 | 69 |
| 1 | 70 | 1 | 70 |
| 1 | 71 | 1 | 71 |
| 1 | 72 | 1 | 72 |
| 1 | 73 | 1 | 73 |
| 1 | 74 | 1 | 74 |
| 1 | 75 | 1 | 75 |
| 1 | 76 | 1 | 76 |
| 1 | 77 | 1 | 77 |
| 1 | 78 | 1 | 78 |
| 1 | 79 | 1 | 79 |
| 1 | 80 | 1 | 80 |
| 1 | 81 | 1 | 81 |
| 1 | 82 | 1 | 82 |
| 1 | 83 | 1 | 83 |
| 1 | 84 | 1 | 84 |
| 1 | 85 | 1 | 85 |
| 1 | 86 | 1 | 86 |
| 1 | 87 | 1 | 87 |
| 1 | 88 | 1 | 88 |
| 1 | 89 | 1 | 89 |
| 1 | 90 | 1 | 90 |
| 1 | 91 | 1 | 91 |
| 1 | 92 | 1 | 92 |
| 1 | 93 | 1 | 93 |
| 1 | 94 | 1 | 94 |
| 1 | 95 | 1 | 95 |
| 1 | 96 | 1 | 96 |
| 1 | 97 | 1 | 97 |
| 1 | 98 | 1 | 98 |
| 1 | 99 | 1 | 99 |
| 1 | 100 | 1 | 100 |



| | | | |
|------------|-----------------------------|-----|--|
| 994291-002 | MECH ASSY 880 DP | REV | |
| 994291-001 | MECH ASSY 10 10 10 5 2 2 10 | REV | |
| 994291-000 | MECH ASSY 10 10 10 5 2 2 10 | REV | |
| | DESCRIPTION CONT FROM SH1 | REV | |
| 994291 | 994291 | REV | |
| 96214 | 96214 | REV | |
| | DESCRIPTION CONT FROM SH1 | REV | |
| | | REV | |

11 12 13 14 15 16 17 18 19 20 21 22 23 24 25 26 27 28 29 30 31 32 33 34 35 36 37 38 39 40 41 42 43 44 45 46 47 48 49 50 51 52 53 54 55 56 57 58 59 60 61 62 63 64 65 66 67 68 69 70 71 72 73 74 75 76 77 78 79 80 81 82 83 84 85 86 87 88 89 90 91 92 93 94 95 96 97 98 99 100

List of Materials

05/12/84

| PART NUMBER | REV | DESCRIPTION..... | UM | |
|--------------|-----------|----------------------------|---|----|
| 0994291-0001 | W | MECHANISM ASSEMBLY, 10 CPI | | |
| ITEM. | QUANTITY. | COMPONENT.. | DESCRIPTION..... | UM |
| 0001 | 00001.000 | 0994183-0001 | CARR & PAPER DRIVE, 810 (REPLACED BY-3) 1225-0000-000 | EA |
| 0002 | 00001.000 | 2208274-0001 | RIBBON DRIVE ASSEMBLY-810 1225-1274-999 | EA |
| 0003 | 00001.000 | 2217374-0002 | PRINthead ASSY, UNIVERSAL -810 1225-2374-000 | EA |
| 0004 | 00001.000 | 0994349-0001 | CABLE ASSY, FLEX 1225-1349-116 | EA |
| 0005 | 00001.000 | 0983903-0002 | CLIP, CABLE 1680-1903-038 | EA |
| 0006 | 00002.000 | 0994199-0001 | NUT, PRINthead | EA |
| 0007 | 00001.000 | 0994193-0001 | GUIDE, PRINthead-RIBBON 1255-0005-025 | EA |
| 0008 | 00001.000 | 0994259-0001 | CABLE ASSY, PAPER OUT 1225-1259-103 | EA |
| 0009 | 00001.000 | 0994307-0001 | CABLE ASSY, CARRIAGE DRIVE 1225-1307-115 | EA |
| 0013 | 00001.000 | 2220775-0030 | SCREW, TAPTITE, 6-32X.375 HEX HD SEE TI- DWG | EA |
| 0015 | 00002.000 | 2211691-0018 | SENS, 6-19X.500, HEX HEAD, CONE WASHER SEE TI- DRAWING | EA |
| 0016 | 00000.000 | 0994258-0001 | PRINthead ASSEMBLY 2500-0000-000 | EA |
| 0016A | | | *MAY BE USED AS AN 2500-0000-000 | |
| 0016B | | | *ALTERNATE FOR ITEM 3 2500-0000-000 | |
| 0017 | 00000.000 | 0994258-0002 | PRINthead ASSY, 9 COPY 2500-0000-000 | EA |
| 0017A | | | *MAY BE USED AS AN 2500-0000-000 | |
| 0017B | | | *ALTERNATE FOR ITEM 3 2500-0000-000 | |
| 0018 | 00001.000 | 0239999-9998 | COST, AS REQUIRED | EA |
| 0019 | 00002.000 | 0239999-9999 | COST, SHRINKAGE | EA |

05/12/84

| PART NUMBER | REV | DESCRIPTION..... | UM | |
|--------------|-----------|-----------------------------------|---|----|
| 0994291-0002 | W | MECHANISM ASSEMBLY, 10 & 16.5 CPI | | |
| ITEM. | QUANTITY. | COMPONENT.. | DESCRIPTION..... | UM |
| 0001 | 00001.000 | 0994183-0002 | CARR & PAPER DRIVE, 810 (REPLACED BY -4) 0000-0000-000 | EA |
| 0002 | 00001.000 | 2208274-0001 | RIBBON DRIVE ASSEMBLY-810 1225-1274-999 | EA |
| 0003 | 00001.000 | 2217374-0002 | PRINthead ASSY, UNIVERSAL -810 1225-2374-000 | EA |
| 0004 | 00001.000 | 0994349-0001 | CABLE ASSY, FLEX 1225-1349-116 | EA |
| 0005 | 00001.000 | 0983903-0002 | CLIP, CABLE 1680-1903-038 | EA |
| 0006 | 00002.000 | 0994199-0001 | NUT, PRINthead | EA |

List of Materials

05/12/84

| PART NUMBER | REV | DESCRIPTION..... | |
|--------------|-----------|-----------------------------------|--|
| 0994291-0002 | W | MECHANISM ASSEMBLY, 10 & 16.5 CPI | |
| ITEM. | QUANTITY. | COMPONENT.. | DESCRIPTION..... UM |
| 0007 | 00001.000 | 0994193-0001 | GUIDE, PRINTEAD-RIBBCN 1255-0005-025 EA |
| 0008 | 00001.000 | 0994259-0001 | CABLE ASSY, PAPER OUT 1225-1259-103 EA |
| 0009 | 00001.000 | 0994307-0001 | CABLE ASSY, CARRIAGE DRIVE 1225-1307-115 EA |
| 0013 | 00001.000 | 2220775-0030 | SCREW, TAPTITE, 6-32X.375 HEX HD SEE TI- DWG EA |
| 0015 | 00002.000 | 2211691-0018 | SEMS, 6-19X.500, HEX HEAD, CONE WASHER SEE TI- DRAWING EA |
| 0016 | 00000.000 | 0994258-0001 | PRINTEAD ASSEMBLY 2500-0000-000 EA |
| 0016A | | | *MAY BE USED AS AN 2500-0000-000 |
| 0016E | | | *ALTERNATE FOR ITEM 3 2500-0000-000 |
| 0017 | 00000.000 | 0994258-0002 | PRINTEAD ASSY, 9 COPY 2500-0000-000 EA |
| 0017A | | | *MAY BE USED AS AN 2500-0000-000 |
| 0017E | | | *ALTERNATE FOR ITEM 3 2500-0000-000 |
| 9998 | 00001.000 | 0239999-9998 | CGST, AS REQUIRED EA |
| 9999 | 00002.000 | 0239999-9999 | CGST, SHRINKAGE EA |

05/12/84

| PART NUMBER | REV | DESCRIPTION..... | |
|--------------|-----------|----------------------------------|---|
| 0994291-0003 | W | MECHANISM ASSEMBLY, EXP., 10 CPI | |
| ITEM. | QUANTITY. | COMPONENT.. | DESCRIPTION..... UM |
| 0001 | 00001.000 | 0994183-0003 | CARR & PAPER DRIVE, 810 (10 CPI) 1225-2183-000 EA |
| 0002 | 00001.000 | 2208274-0001 | RIBBCN DRIVE ASSEMBLY-810 1225-1274-999 EA |
| 0003 | 00001.000 | 2217374-0002 | PRINTEAD ASSY, UNIVERSAL -810 1225-2374-000 EA |
| 0004 | 00001.000 | 0994349-0001 | CABLE ASSY, FLEX 1225-1349-116 EA |
| 0005 | 00001.000 | 0983903-0002 | CLIP, CABLE 1680-1903-038 EA |
| 0006 | 00002.000 | 0994199-0001 | NUT, PRINTEAD EA |
| 0007 | 00001.000 | 0994193-0001 | GUIDE, PRINTEAD-RIBBCN 1255-0005-025 EA |
| 0008 | 00001.000 | 0994259-0001 | CABLE ASSY, PAPER CUT 1225-1259-103 EA |
| 0009 | 00001.000 | 0994307-0001 | CABLE ASSY, CARRIAGE DRIVE 1225-1307-115 EA |
| 0013 | 00001.000 | 2220775-0032 | SCREW, TAPTITE, 6-32X.500, HEX HD SEE TI- DRAWING EA |
| 0014 | REF | 0997012-9901 | TST PROC FUNCTIONAL TSTR 810 DR MECH EA |

List of Materials

05/12/84

PART NUMBER REV DESCRIPTION.....
 0994291-0003 W MECHANISM ASSEMBLY, EXP., 10 CPI

| ITEM. | QUANTITY. | COMPONENT.. | DESCRIPTION..... | UM |
|-------|-----------|--------------|---|----|
| 0015 | 00002.000 | 2211691-0018 | SEMS, 6-19X.500, HEX HEAD, CONE WASHER SEE TI- DRAWING | EA |
| 0016 | 00000.000 | 0994258-0001 | PRINTHEAD ASSEMBLY 2500-0000-000 | EA |
| 0016A | | | *MAY BE USED AS AN 2500-0000-000 | |
| 0016B | | | *ALTERNATE FOR ITEM 3 2500-0000-000 | |
| 0017 | 00000.000 | 0994258-0002 | PRINTHEAD ASSY, 9 COPY 2500-0000-000 | EA |
| 0017A | | | *MAY BE USED AS AN 2500-0000-000 | |
| 0017B | | | *ALTERNATE FOR ITEM 3 2500-0000-000 | |
| 9998 | 00001.000 | 0239999-9998 | COST, AS REQUIRED | EA |
| 9999 | 00002.000 | 0239999-9999 | COST, SHRINKAGE | EA |

05/12/84

PART NUMBER REV DESCRIPTION.....
 0994291-0004 W MECHANISM ASSEMBLY, EXP., 10 & 16.5 CPI

| ITEM. | QUANTITY. | COMPONENT.. | DESCRIPTION..... | UM |
|-------|-----------|--------------|---|----|
| 0001 | 00001.000 | 0994183-0004 | CARR & PAPER DRIVE, 810 (10/16 CPI) 1225-4283-000 | EA |
| 0002 | 00001.000 | 2208274-0001 | RIBBON DRIVE ASSEMBLY-E10 1225-1274-999 | EA |
| 0003 | 00001.000 | 2217374-0002 | PRINTHEAD ASSY, UNIVERSAL -810 1225-2374-000 | EA |
| 0004 | 00001.000 | 0994349-0001 | CABLE ASSY, FLEX 1225-1349-116 | EA |
| 0005 | 00001.000 | 0981903-0002 | CLIP, CABLE 1600-1903-038 | EA |
| 0006 | 00002.000 | 0994199-0001 | NUT, PRINTHEAD | EA |
| 0007 | 00001.000 | 0994193-0001 | GUIDE, PRINTHEAD-RIBBON 1225-0005-025 | EA |
| 0008 | 00001.000 | 0994259-0001 | CABLE ASSY, PAPER CUT 1225-1259-103 | EA |
| 0009 | 00001.000 | 0994307-0001 | CABLE ASSY, CARRIAGE DRIVE 1225-1307-115 | EA |
| 0013 | 00001.000 | 2220775-0032 | SCREW, TAPTITE, 6-32X.500", HEX HD SEE TI- DRAWING | EA |
| 0014 | REF | 0997012-9901 | TST PROC FUNCTIONAL TSTR 810 DR MECH | EA |
| 0015 | 00002.000 | 2211691-0018 | SEMS, 6-19X.500, HEX HEAD, CONE WASHER SEE TI- DRAWING | EA |
| 0016 | 00000.000 | 0994258-0001 | PRINTHEAD ASSEMBLY 2500-0000-000 | EA |
| 0016A | | | *MAY BE USED AS AN 2500-0000-000 | |
| 0016B | | | *ALTERNATE FOR ITEM 3 2500-0000-000 | |
| 0017 | 00000.000 | 0994258-0002 | PRINTHEAD ASSY, 9 COPY 2500-0000-000 | EA |
| 0017A | | | *MAY BE USED AS AN 2500-0000-000 | |
| 0017B | | | *ALTERNATE FOR ITEM 3 2500-0000-000 | |

List of Materials

05/12/84

| PART NUMBER | REV | DESCRIPTION..... | UM | |
|--------------|-----------|---|-------------------|----|
| 0994291-0004 | W | MECHANISM ASSEMBLY, EXP., 10 & 16.5 CPI | | |
| ITEM. | QUANTITY. | COMPONENT.. | DESCRIPTION..... | UM |
| 9993 | 00001.000 | 0235559-9998 | COST, AS REQUIRED | EA |
| 9999 | 00002.000 | 0239999-9999 | COST, SHRINKAGE | EA |

05/12/84

| PART NUMBER | REV | DESCRIPTION..... | UM | |
|--------------|-----------|---------------------------------------|---|----|
| 0994291-0005 | W | MECHANISM ASSY, (10 CPI & 9 CPHY P/H) | | |
| ITEM. | QUANTITY. | COMPONENT.. | DESCRIPTION..... | UM |
| 0001 | 00001.000 | 0994183-0001 | CARR & PAPER DRIVE, 810 (REPLACED BY-3) 1225-0000-000 | EA |
| 0002 | 00001.000 | 2208274-0001 | RIBBON DRIVE ASSEMBLY-810 1225-1274-999 | EA |
| 0003 | 00001.000 | 2217374-0002 | PRINthead ASSY, UNIVERSAL -810 1225-2374-000 | EA |
| 0004 | 00001.000 | 0994349-0001 | CABLE ASSY, FLEX 1225-1349-116 | EA |
| 0005 | 00001.000 | 0983903-0002 | CLIP, CABLE 168J-1903-038 | EA |
| 0006 | 00002.000 | 0994199-0001 | NUT, PRINthead | EA |
| 0007 | 00001.000 | 0994193-0001 | GUIDE, PRINthead-RIBBON 1225-0005-025 | EA |
| 0008 | 00001.000 | 0994259-0001 | CABLE ASSY, PAPER CUT 1225-1259-103 | EA |
| 0009 | 00001.000 | 0994307-0001 | CABLE ASSY, CARRIAGE DRIVE 1225-1307-115 | EA |
| 0013 | 00001.000 | 2220775-0030 | SCREW, TAPTITE, 6-32X.375 HEX HD SEE TI- DWG | EA |
| 0015 | 00002.000 | 2211691-0018 | SEMS, 6-19X.500, HEX HEAD, CONE WASHER SEE TI- DRAWING | EA |
| 0017 | 00000.000 | 0994258-0002 | PRINthead ASSY, 9 CPHY 2500-0000-000 | EA |
| 0017A | | | *MAY BE USED AS AN 2500-0000-000 | |
| 0017B | | | *ALTERNATE FOR ITEM 3 2500-0000-000 | |
| 9993 | 00001.000 | 0235559-9998 | COST, AS REQUIRED | EA |
| 9999 | 00002.000 | 0239999-9999 | COST, SHRINKAGE | EA |

05/12/84

| PART NUMBER | REV | DESCRIPTION..... | UM | |
|--------------|-----------|--|---|----|
| 0994291-0006 | W | MECHANISM ASSY, EXP. (10CPI & 9CPHY P/H) | | |
| ITEM. | QUANTITY. | COMPONENT.. | DESCRIPTION..... | UM |
| 0001 | 00001.000 | 0994183-0003 | CARR & PAPER DRIVE, 810 (10 CPI) 1225-2183-000 | EA |
| 0002 | 00001.000 | 2208274-0001 | RIBBON DRIVE ASSEMBLY-810 1225-1274-999 | EA |
| 0003 | 00001.000 | 2217374-0002 | PRINthead ASSY, UNIVERSAL -810 1225-2374-000 | EA |
| 0004 | 00001.000 | 0994349-0001 | CABLE ASSY, FLEX 1225-1349-116 | EA |

List of Materials

05/12/84

| PART NUMBER | REV | DESCRIPTION..... | UM | |
|--------------|-----------|--|--|----|
| 0994291-0006 | W | MECHANISM ASSY,EXP.(10CPI & 9COPY P/H) | | |
| ITEM. | QUANTITY. | COMPONENT.. | DESCRIPTION..... | UM |
| 0005 | 00001.000 | 0983903-0002 | CLIP,CABLE 1680-1903-038 | EA |
| 0006 | 00002.000 | 0994199-0001 | NUT,PRINTHEAD | EA |
| 0007 | 00001.000 | 0994193-0001 | GUIDE,PRINTHEAD-RIBBCN 1255-0005-025 | EA |
| 0008 | 00001.000 | 0994259-0001 | CABLE ASSY,PAPER CUT 1225-1259-103 | EA |
| 0009 | 00001.000 | 0994307-0001 | CABLE ASSY,CARRIAGE CRIVE 1225-1307-115 | EA |
| 0013 | 00001.000 | 2220775-0032 | SCREW,TAPTITE,6-32X.500",HEX HD SEE TI- DRAWING | EA |
| 0014 | REF | 0997012-9901 | TST PROC FUNCTIONAL TSTR 810 DR MECH | EA |
| 0015 | 00002.000 | 2211691-0018 | SEMS,6-19X.500,HEX HEAC,CONE WASHER SEE TI- DRAWING | EA |
| 0017 | 00000.000 | 0994258-0002 | PRINTHEAD ASSY, 9 COPY 2500-0000-000 | EA |
| 0017A | | | *MAY BE USED AS AN 2500-0000-000 | |
| 0017B | | | *ALTERNATE FOR ITEM 3 2500-0000-000 | |
| 9998 | 00001.000 | 0239999-9998 | COST, AS REQUIRED | EA |
| 9999 | 00002.000 | 0239999-9999 | COST, SHRINKAGE | EA |

05/12/84

| PART NUMBER | REV | DESCRIPTION..... | UM | |
|--------------|-----------|---|--|----|
| 0994291-0007 | W | MECH ASSY,EXP.(10&16.5CPI & 9 COPY P/H) | | |
| ITEM. | QUANTITY. | COMPONENT.. | DESCRIPTION..... | UM |
| 0001 | 00001.000 | 0994183-0004 | CARR & PAPER DRIVE,810 (10/16 CPI) 1225-4283-000 | EA |
| 0002 | 00001.000 | 2208274-0001 | RIBBCN DRIVE ASSEMBLY-810 1225-1274-999 | EA |
| 0003 | 00001.000 | 2217374-0002 | PRINTHEAD ASSY,UNIVERSAL -810 1225-2374-000 | EA |
| 0004 | 00001.000 | 0994349-0001 | CABLE ASSY, FLEX 1225-1349-116 | EA |
| 0005 | 00001.000 | 0983903-0002 | CLIP,CABLE 1680-1903-038 | EA |
| 0006 | 00002.000 | 0994199-0001 | NUT,PRINTHEAD | EA |
| 0007 | 00001.000 | 0994193-0001 | GUIDE,PRINTHEAD-RIBBCN 1255-0005-025 | EA |
| 0008 | 00001.000 | 0994259-0001 | CABLE ASSY,PAPER CUT 1225-1259-103 | EA |
| 0009 | 00001.000 | 0994307-0001 | CABLE ASSY,CARRIAGE CRIVE 1225-1307-115 | EA |
| 0013 | 00001.000 | 2220775-0032 | SCREW,TAPTITE,6-32X.500",HEX HD SEE TI- DRAWING | EA |
| 0014 | REF | 0997012-9901 | TST PROC FUNCTIONAL TSTR 810 DR MECH | EA |
| 0015 | 00002.000 | 2211691-0018 | SEMS,6-19X.500,HEX HEAD,CONE WASHER SEE TI- DRAWING | EA |

List of Materials

05/12/84

PART NUMBER REV DESCRIPTION.....
 0994291-0007 W MECH ASSY,EXP.(10&16.5CPI & 9 CDPY P/H)

| ITEM. | QUANTITY. | COMPONENT.. | DESCRIPTION..... | UM |
|-------|-----------|--------------|---|----|
| 0017 | 00000.000 | 0994258-0002 | PRINTHEAD ASSY, 9 CDPY 2500-0000-000 | EA |
| 0017A | | | *MAY BE USED AS AN 2500-0000-000 | |
| 0017B | | | *ALTERNATE FOR ITEM 3 2500-0000-000 | |
| 9999 | 00002.000 | 0239999-9999 | COST, SHRINKAGE | EA |

05/12/84

PART NUMBER REV DESCRIPTION.....
 0994291-0008 W MECH ASSY,EXP,10CPI NC P/H

| ITEM. | QUANTITY. | COMPONENT.. | DESCRIPTION..... | UM |
|-------|-----------|--------------|--|----|
| 0001 | 00001.000 | 0994183-0003 | CARR & PAPER DRIVE,810 (10 CPI) 1225-2183-000 | EA |
| 0007 | 00001.000 | 0994193-0001 | GUIDE,PRINTHEAD-RIBBON 1255-0005-025 | EA |
| 0008 | 00001.000 | 0994259-0001 | CABLE ASSY,PAPER CUT 1225-1259-103 | EA |
| 0009 | 00001.000 | 0994307-0001 | CABLE ASSY,CARRIAGE DRIVE 1225-1307-115 | EA |
| 0013 | 00001.000 | 2220775-0032 | SCREW,TAPTITE,6-32X.500",HEX HD SEE TI- DRAWING | EA |
| 0014 | REF | 0997012-9901 | TST PROC FUNCTIONAL TSTR 810 DR MECH | EA |
| 0015 | 00002.000 | 2211691-0018 | SEMS,6-19X.500,HEX HEAD,CONE WASHER SEE TI- DRAWING | EA |
| 0016 | 00001.000 | 2232608-0001 | SPACER, PRINT ENHANCEMENT - 810 1255-0082-003 | EA |
| 9999 | 00000.000 | 0239999-9999 | COST, SHRINKAGE | EA |

05/12/84

PART NUMBER REV DESCRIPTION.....
 0994291-0009 W MECH ASSY,EXP,10 & 16.5 CPI NO P/H

| ITEM. | QUANTITY. | COMPONENT.. | DESCRIPTION..... | UM |
|-------|-----------|--------------|--|----|
| 0001 | 00001.000 | 0994183-0004 | CARR & PAPER DRIVE,810 (10/16 CPI) 1225-4203-000 | EA |
| 0007 | 00001.000 | 0994193-0001 | GUIDE,PRINTHEAD-RIBBON 1255-0005-025 | EA |
| 0008 | 00001.000 | 0994259-0001 | CABLE ASSY,PAPER CUT 1225-1259-103 | EA |
| 0009 | 00001.000 | 0994307-0001 | CABLE ASSY,CARRIAGE DRIVE 1225-1307-115 | EA |
| 0013 | 00001.000 | 2220775-0032 | SCREW,TAPTITE,6-32X.500",HEX HD SEE TI- DRAWING | EA |
| 0014 | REF | 0997012-9901 | TST PROC FUNCTIONAL TSTR 810 DR MECH | EA |
| 0015 | 00002.000 | 2211691-0018 | SEMS,6-19X.500,HEX HEAD,CONE WASHER SEE TI- DRAWING | EA |
| 0016 | 00001.000 | 2232608-0001 | SPACER, PRINT ENHANCEMENT - 810 1255-0082-003 | EA |
| 9999 | 00000.000 | 0239999-9999 | COST, SHRINKAGE | EA |

List of Materials

05/12/84

PART NUMBER REV DESCRIPTION.....
0994292-0001 BT 810 PRINTER ASSY,BASIC

| ITEM. | QUANTITY. | COMPONENT.. | DESCRIPTION..... | UM |
|-------|-----------|--------------|---|----|
| 0001 | 00001.000 | 2230487-0001 | NON-FUNCTIONAL ASSY,EXP,10 CPI-810 1225-1487-000 | EA |
| 0002 | 00001.000 | 2360021-0001 | COVER,810/880 (LT. GRAY) 1255-0067-040 | EA |
| 0003 | 00001.000 | 0994500-0001 | DOOR ASSY, 810 PRINTER 1225-1500-000 | EA |
| 0004 | 00001.000 | 0994323-0001 | BASE/POWER SUPPLY ASSY, 810 1225-1323-999 | EA |
| 0005 | 00001.000 | 0994555-0001 | CONTROL PANEL ASSY, BASIC 1225-1555-000 | EA |
| 0006 | 00001.000 | 0994415-0001 | IDENTIFICATION,KIT 1225-1415-000 | EA |
| 0007 | 00001.000 | 2230492-0001 | KIT,SUPPORT-810 1225-1492-000 | EA |
| 0008 | 00002.000 | 0972487-0001 | JUMPER PLUG,CONNECTOR BLACK 5935-0900-000 | EA |
| 9999 | 00004.000 | 0235999-9999 | COST, SHRINKAGE | EA |

05/12/84

PART NUMBER REV DESCRIPTION.....
0994292-0002 BT 810 PRINTER ASSY,FORMS LG CONTROL

| ITEM. | QUANTITY. | COMPONENT.. | DESCRIPTION..... | UM |
|-------|-----------|--------------|---|----|
| 0001 | 00001.000 | 2230487-0001 | NON-FUNCTIONAL ASSY,EXP,10 CPI-810 1225-1487-000 | EA |
| 0002 | 00001.000 | 2360021-0001 | COVER,810/880 (LT. GRAY) 1255-0067-040 | EA |
| 0003 | 00001.000 | 0994500-0001 | DOOR ASSY, 810 PRINTER 1225-1500-000 | EA |
| 0004 | 00001.000 | 0994323-0001 | BASE/POWER SUPPLY ASSY, 810 1225-1323-999 | EA |
| 0005 | 00001.000 | 0994555-0002 | CONTROL PANEL ASSY, FORMS LENGTH (FLC) 1225-2555-000 | EA |
| 0006 | 00001.000 | 0994415-0001 | IDENTIFICATION,KIT 1225-1415-000 | EA |
| 0007 | 00001.000 | 2230492-0001 | KIT,SUPPORT-810 1225-1492-000 | EA |
| 0008 | 00002.000 | 0972487-0001 | JUMPER PLUG,CONNECTOR BLACK 5935-0900-000 | EA |
| 9999 | 00004.000 | 0235999-9999 | COST, SHRINKAGE | EA |

05/12/84

PART NUMBER REV DESCRIPTION.....
0994292-0003 BT 810 PRINTER ASSY,VERTICAL FORMS CONTROL

| ITEM. | QUANTITY. | COMPONENT.. | DESCRIPTION..... | UM |
|-------|-----------|--------------|--|----|
| 0001 | 00001.000 | 2230487-0001 | NON-FUNCTIONAL ASSY,EXP,10 CPI-810 1225-1487-000 | EA |
| 0002 | 00001.000 | 2360021-0001 | COVER,810/880 (LT. GRAY) 1255-0067-040 | EA |
| 0003 | 00001.000 | 0994500-0001 | DOOR ASSY, 810 PRINTER 1225-1500-000 | EA |
| 0004 | 00001.000 | 0994323-0001 | BASE/POWER SUPPLY ASSY, 810 1225-1323-999 | EA |
| 0005 | 00001.000 | 0994555-0004 | CONTROL PANEL ASSY,VERT. FOR CCN. (VFC) 1225-4555-000 | EA |
| 0006 | 00001.000 | 0994415-0001 | IDENTIFICATION,KIT 1225-1415-000 | EA |

List of Materials

05/12/84

| PART NUMBER | REV | DESCRIPTION..... | |
|--------------|-----------|--|---|
| 0994292-0003 | BT | 810 PRINTER ASSY, VERTICAL FORMS CONTROL | |
| ITEM. | QUANTITY. | COMPONENT.. | DESCRIPTION..... UM |
| 0007 | 00001.000 | 2230492-0001 | KIT, SUPPORT-810 1225-1492-000 EA |
| 0008 | 00002.000 | 0972487-0001 | JUMPER PLUG, CONNECTOR BLACK 5935-0900-000 EA |
| 0011 | 00001.000 | 0994319-0002 | PROCESSOR KIT, VERTICAL FORMS CONTROL 1225-2319-000 EA |
| 9999 | 00004.000 | 0239999-9999 | COST, SHRINKAGE EA |

05/12/84

| PART NUMBER | REV | DESCRIPTION..... | |
|--------------|-----------|------------------------------------|--|
| 0994292-0004 | BT | 810 PRINTER ASSY, BASIC, 9COPY P/H | |
| ITEM. | QUANTITY. | COMPONENT.. | DESCRIPTION..... UM |
| 0001 | 00001.000 | 2230497-0001 | NON-FUNCTIONAL ASSY, EXP, 10 CPI-810 1225-1487-000 EA |
| 0002 | 00001.000 | 2360021-0001 | COVER, 810/880 (LT. GRAY) 1255-0067-040 EA |
| 0003 | 00001.000 | 0994500-0001 | DOOR ASSY, 810 PRINTER 1225-1500-000 EA |
| 0004 | 00001.000 | 0994323-0001 | BASE/POWER SUPPLY ASSY, 810 1225-1323-599 EA |
| 0005 | 00001.000 | 0994555-0001 | CONTROL PANEL ASSY, BASIC 1225-1555-000 EA |
| 0006 | 00001.000 | 0994415-0001 | IDENTIFICATION, KIT 1225-1415-000 EA |
| 0007 | 00001.000 | 2230492-0001 | KIT, SUPPORT-810 1225-1492-000 EA |
| 0008 | 00002.000 | 0972487-0001 | JUMPER PLUG, CONNECTOR BLACK 5935-0900-000 EA |
| 9999 | 00004.000 | 0239999-9999 | COST, SHRINKAGE EA |

05/12/84

| PART NUMBER | REV | DESCRIPTION..... | |
|--------------|-----------|---------------------------------------|--|
| 0994292-0005 | BT | 810 PRINTER ASSY, FORMS LG, 9COPY P/H | |
| ITEM. | QUANTITY. | COMPONENT.. | DESCRIPTION..... UM |
| 0001 | 00001.000 | 2230487-0001 | NON-FUNCTIONAL ASSY, EXP, 10 CPI-810 1225-1487-000 EA |
| 0002 | 00001.000 | 2360021-0001 | COVER, 810/880 (LT. GRAY) 1255-0067-040 EA |
| 0003 | 00001.000 | 0994500-0001 | DOOR ASSY, 810 PRINTER 1225-1500-000 EA |
| 0004 | 00001.000 | 0994323-0001 | BASE/POWER SUPPLY ASSY, 810 1225-1323-599 EA |
| 0005 | 00001.000 | 0994555-0002 | CONTROL PANEL ASSY, FORMS LENGTH (FLC) 1225-2555-000 EA |
| 0006 | 00001.000 | 0994415-0001 | IDENTIFICATION, KIT 1225-1415-000 EA |
| 0007 | 00001.000 | 2230492-0001 | KIT, SUPPORT-810 1225-1492-000 EA |
| 0008 | 00002.000 | 0972487-0001 | JUMPER PLUG, CONNECTOR BLACK 5935-0900-000 EA |
| 9999 | 00004.000 | 0239999-9999 | COST, SHRINKAGE EA |

List of Materials

05/12/84

PART NUMBER REV DESCRIPTION.....
 0994292-0006 BT 810 PRINTER ASSY,VFC,5CCPY P/II

| ITEM. | QUANTITY. | COMPONENT.. | DESCRIPTION..... | UM |
|-------|-----------|--------------|--|----|
| 0001 | 00001.000 | 2230487-0001 | NON-FUNCTIONAL ASSY,EXP,10 CPI-810 1225-1487-000 | EA |
| 0002 | 00001.000 | 2360021-0001 | COVER,810/880 (LT. GRAY) 1255-0067-040 | EA |
| 0003 | 00001.000 | 0994500-0001 | DOOR ASSY, 810 PRINTER 1225-1500-000 | EA |
| 0004 | 00001.000 | 0994323-0001 | BASE/POWER SUPPLY ASSY, 810 1225-1323-599 | EA |
| 0005 | 00001.000 | 0994555-0004 | CONTROL PANEL ASSY,VERT. FCR CON. (VFC) 1225-4555-000 | EA |
| 0006 | 00001.000 | 0994415-0001 | IDENTIFICATION,KIT 1225-1415-000 | EA |
| 0007 | 00001.000 | 2230492-0001 | KIT,SUPPGRT-810 1225-1492-000 | EA |
| 0008 | 00002.000 | 0972487-0001 | JUMPER PLUG,CONNECTOR BLACK 5935-0900-000 | EA |
| 0011 | 00001.000 | 0994319-0002 | PROCESSOR KIT,VERTICAL FORMAT CONTROL 1225-2319-000 | EA |
| 9999 | 00004.000 | 0239999-9999 | COST, SHRINKAGE | EA |

05/12/84

PART NUMBER REV DESCRIPTION.....
 0994292-0007 BT 810 PRINTER ASSY,LQ BASIC

| ITEM. | QUANTITY. | COMPONENT.. | DESCRIPTION..... | UM |
|-------|-----------|--------------|--|----|
| 0001 | 00001.000 | 2230487-0003 | NON-FUNCTIONAL ASSY,LQ,10 CPI-810 1225-1487-000 | EA |
| 0002 | 00001.000 | 2360021-0001 | COVER,810/880 (LT. GRAY) 1255-0067-040 | EA |
| 0003 | 00001.000 | 0994500-0001 | DOOR ASSY, 810 PRINTER 1225-1500-000 | EA |
| 0004 | 00001.000 | 0994323-0001 | BASE/POWER SUPPLY ASSY, 810 1225-1323-599 | EA |
| 0005 | 00001.000 | 0994555-0001 | CONTROL PANEL ASSY, BASIC 1225-1555-000 | EA |
| 0006 | 00001.000 | 0994415-0001 | IDENTIFICATION,KIT 1225-1415-000 | EA |
| 0007 | 00001.000 | 2230492-0001 | KIT,SUPPORT-810 1225-1492-000 | EA |
| 0008 | 00002.000 | 0972487-0001 | JUMPER PLUG,CONNECTOR BLACK 5935-0900-000 | EA |
| 0009 | 00001.000 | 2232575-0001 | LETTER QUALITY,2ND GENERATION - 810 1225-1575-012 | EA |
| 0010 | 00001.000 | 2360090-9701 | 810 LETTER QUALITY USER MANUAL 1225-0090-000 | EA |
| 0012 | 00000.000 | 2360095-0001 | PWB ASSY, 810 LQ (FULL-SIZE) 1225-1095-016 | EA |
| 0012A | | | *ALT TO ITEM 9,NOT TO BE 1225-1095-016 | |
| 0012B | | | *USED WITH RS422,TTY OR 1225-1095-016 | |
| 0012C | | | *INT'L CHARACTER SET 1225-1095-016 | |
| 0013 | 00001.000 | 0994294-0001 | CARD GUIDE,CENTER 1255-0028-014 | EA |
| 0013A | | | *TO BE USED W/ITEM 9 ONLY 1255-0028-014 | |
| 0014 | 00002.000 | 0996225-0001 | FASTENER,PUSHNUT,REMOVABLE .185/.190 DIA PAL - P2001935 | EA |
| 0014A | | | *TO BE USED W/ITEM 5 ONLY PAL - P2001935 | |

List of Materials

05/12/84

PART NUMBER REV DESCRIPTION.....
 0994292-0007 BT 810 PRINTER ASSY,LQ BASIC

| ITEM. | QUANTITY. | COMPONENT.. | DESCRIPTION..... | UM |
|-------|-----------|--------------|------------------|----|
| 9999 | 00004.000 | 0239999-9999 | COST, SHRINKAGE | EA |

05/12/84

PART NUMBER REV DESCRIPTION.....
 0994292-0008 BT 810 PRINTER ASSY,LQ FC RMS LG CONTRCL

| ITEM. | QUANTITY. | COMPONENT.. | DESCRIPTION..... | UM |
|-------|-----------|--------------|--|----|
| 0001 | 00001.000 | 2230487-0003 | NON-FUNCTIONAL ASSY,LQ,10 CPI-810 1225-3487-000 | EA |
| 0002 | 00001.000 | 2360021-0001 | COVER,810/880 (LT. GRAY) 1255-0067-040 | EA |
| 0003 | 00001.000 | 0994500-0001 | DOOR ASSY, 810 PRINTER 1225-1500-000 | EA |
| 0004 | 00001.000 | 0994323-0001 | BASE/POWER SUPPLY ASSY, 810 1225-1323-999 | EA |
| 0005 | 00001.000 | 0994555-0003 | CON. PANEL ASSY,FL & COMP. PRINT (FCO) 1225-3555-000 | EA |
| 0006 | 00001.000 | 0994415-0001 | IDENTIFICATION,KIT 1225-1415-000 | EA |
| 0007 | 00001.000 | 2230492-0001 | KIT,SUPPCRT-810 1225-1492-000 | EA |
| 0008 | 00002.000 | 0972487-0001 | JUMPER PLUG,CONNECTOR BLACK 5935-0900-000 | EA |
| 0009 | 00001.000 | 2232575-0001 | LETTER QUALITY,2ND GENERATION - 810 1225-1575-012 | EA |
| 0010 | 00001.000 | 2360090-9701 | 810 LETTER QUALITY USER MANUAL 1225-0090-000 | EA |
| 0012 | 00000.000 | 2360095-0001 | PWB ASSY, 810 LQ (FULL-SIZE) 1225-1095-016 | EA |
| 0012A | | | *ALT TO ITEM 9,NOT TO BE 1225-1095-016 | |
| 0012B | | | *USED WITH RS422,TTY OR 1225-1095-016 | |
| 0012C | | | *INT'L CHARACTER SET 1225-1095-016 | |
| 0013 | 00001.000 | 0994294-0001 | CARD GUIDE,CENTER 1255-0028-014 | EA |
| 0013A | | | *TO BE USED W/ITEM 9 ONLY 1255-0028-014 | |
| 0014 | 00002.000 | 0996225-0001 | FASTENER,PUSHNUT,REMOVABLE .185/.190 DIA PAL - P2001935 | EA |
| 0014A | | | *TO BE USED W/ITEM 9 ONLY PAL - P2001935 | |
| 9999 | 00004.000 | 0239999-9999 | COST, SHRINKAGE | EA |

List of Materials

05/12/84

PART NUMBER REV DESCRIPTION.....
 0994292-0009 BT 810 PRINTER ASSY,LQ VFC

| ITEM. | QUANTITY. | COMPONENT.. | DESCRIPTION..... | UM |
|-------|-----------|--------------|---|----|
| 0001 | 00001.000 | 2230487-0003 | NON-FUNCTIONAL ASSY,LQ,10 CPI-810 1225-3487-000 | EA |
| 0002 | 00001.000 | 2360021-0001 | COVER,810/880 (LT. GRAY) 1255-0067-040 | EA |
| 0003 | 00001.000 | 0994500-0001 | DOOR ASSY, 810 PRINTER 1225-1500-000 | EA |
| 0004 | 00001.000 | 0994323-0001 | BASE/POWER SUPPLY ASSY, 810 1225-1323-555 | EA |
| 0005 | 00001.000 | 0994555-0004 | CONTROL PANEL ASSY,VERT. FCR CCN. (VFC) 1225-4555-000 | EA |
| 0006 | 00001.000 | 0994415-0001 | IDENTIFICATION,KIT 1225-1415-000 | EA |
| 0007 | 00001.000 | 2230492-0001 | KIT,SUPPORT-810 1225-1492-000 | EA |
| 0008 | 00002.000 | 0972487-0001 | JUMPER PLUG,CONNECTOR BLACK 5935-0900-000 | EA |
| 0009 | 00001.000 | 2232575-0001 | LETTER QUALITY,2ND GENERATION - 810 1225-1575-012 | EA |
| 0010 | 00001.000 | 2360090-9701 | 810 LETTER QUALITY USER MANUAL 1225-0090-000 | EA |
| 0011 | 00001.000 | 0994319-0002 | PROCESSOR KIT,VERTICAL FORMAT CONTROL 1225-2319-000 | EA |
| 0012 | 00000.000 | 2360095-0001 | PW0 ASSY, 810 LQ (FULL-SIZE) 1225-1095-016 | EA |
| 0012A | | | *ALT TO ITEM 9,NOT TO BE 1225-1095-016 | |
| 0012B | | | *USED WITH RS422,TTY GR 1225-1095-016 | |
| 0012C | | | *INT'L CHARACTER SET 1225-1095-016 | |
| 0013 | 00001.000 | 0994294-0001 | CARD GUIDE,CENTER 1255-0028-014 | EA |
| 0013A | | | *TO BE USED W/ITEM 9 ONLY 1255-0028-014 | |
| 0014 | 00002.000 | 0996225-0001 | FASTENER,PUSHNUT,REMOVABLE .185/.190 DIA PAL - PZ01935 | EA |
| 9999 | 00004.000 | 0235999-9999 | COST, SHRINKAGE | EA |

List of Materials

05/12/84

PART NUMBER REV DESCRIPTION.....
 0994293-0001 BY 810 PRINTER ASSY, FORMS LG, COMP. PRINT

| ITEM. | QUANTITY. | COMPONENT.. | DESCRIPTION..... | UM |
|-------|-----------|--------------|--|----|
| 0001 | 00001.000 | 2230487-0002 | NON-FUNCTIONAL ASSY, EXP, 10/16.5 CPI-810 1225-2487-000 | EA |
| 0002 | 00001.000 | 2360021-0001 | COVER, 810/880 (LT. GRAY) 1255-0067-040 | EA |
| 0003 | 00001.000 | 0994500-0001 | DOOR ASSY, 810 PRINTER 1225-1500-000 | EA |
| 0004 | 00001.000 | 0994323-0001 | BASE/POWER SUPPLY ASSY, 810 1225-1323-999 | EA |
| 0005 | 00001.000 | 0994555-0003 | CON. PANEL ASSY, FL & COMP. PRINT (FCO) 1225-3555-000 | EA |
| 0006 | 00001.000 | 0994415-0001 | IDENTIFICATION, KIT 1225-1415-000 | EA |
| 0007 | 00001.000 | 2230492-0001 | KIT, SUPPORT-810 1225-1492-000 | EA |
| 9999 | 00004.000 | 0239999-9999 | COST, SHRINKAGE | EA |

05/12/84

PART NUMBER REV DESCRIPTION.....
 0994293-0002 BY 810 PRINTER ASSY, VFC, COMPRESSED PRINT

| ITEM. | QUANTITY. | COMPONENT.. | DESCRIPTION..... | UM |
|-------|-----------|--------------|---|----|
| 0001 | 00001.000 | 2230487-0002 | NON-FUNCTIONAL ASSY, EXP, 10/16.5 CPI-810 1225-2487-000 | EA |
| 0002 | 00001.000 | 2360021-0001 | COVER, 810/880 (LT. GRAY) 1255-0067-040 | EA |
| 0003 | 00001.000 | 0994500-0001 | DOOR ASSY, 810 PRINTER 1225-1500-000 | EA |
| 0004 | 00001.000 | 0994323-0001 | BASE/POWER SUPPLY ASSY, 810 1225-1323-999 | EA |
| 0005 | 00001.000 | 0994555-0005 | CON. PANEL ASSY, VFC AND COMP. PRINT (VCO) 1225-0555-000 | EA |
| 0006 | 00001.000 | 0994415-0001 | IDENTIFICATION, KIT 1225-1415-000 | EA |
| 0007 | 00001.000 | 2230492-0001 | KIT, SUPPORT-810 1225-1492-000 | EA |
| 0011 | 00001.000 | 0994319-0002 | PROCESSOR KIT, VERTICAL FORMAT CONTROL 1225-2319-000 | EA |
| 9999 | 00004.000 | 0239999-9999 | COST, SHRINKAGE | EA |

List of Materials

05/12/84

PART NUMBER REV DESCRIPTION.....
 0994293-0003 BY 810 PRINTER ASSY,FL,CCMP PRINT,9CCPY,P/H

| ITEM. | QUANTITY. | COMPONENT.. | DESCRIPTION..... | UM |
|-------|-----------|--------------|--|----|
| 0001 | 00001.000 | 2230487-0002 | NON-FUNCTIONAL ASSY,EXP,10/16.5 CPI-810 1225-2487-000 | EA |
| 0002 | 00001.000 | 2360021-0001 | COVER,810/880 (LT. GRAY) 1255-0067-040 | EA |
| 0003 | 00001.000 | 0994500-0001 | DOOR ASSY, 810 PRINTER 1225-1500-000 | EA |
| 0004 | 00001.000 | 0994323-0001 | BASE/POWER SUPPLY ASSY, 810 1225-1323-999 | EA |
| 0005 | 00001.000 | 0994555-0003 | CON. PANEL ASSY,FL & CCMP. PRINT (FCO) 1225-3555-000 | EA |
| 0006 | 00001.000 | 0994415-0001 | IDENTIFICATION,KIT 1225-1415-000 | EA |
| 0007 | 00001.000 | 2230492-0001 | KIT,SUPPORT-810 1225-1492-000 | EA |
| 9999 | 00004.000 | 0230999-9999 | COST, SHRINKAGE | EA |

05/12/84

PART NUMBER REV DESCRIPTION.....
 0994293-0004 BY 810 PRINTER ASSY,VFC,CCMP PRINT,9CCPY

| ITEM. | QUANTITY. | COMPONENT.. | DESCRIPTION..... | UM |
|-------|-----------|--------------|---|----|
| 0001 | 00001.000 | 2230487-0002 | NON-FUNCTIONAL ASSY,EXP,10/16.5 CPI-810 1225-2487-000 | EA |
| 0002 | 00001.000 | 2360021-0001 | COVER,810/880 (LT. GRAY) 1255-0067-040 | EA |
| 0003 | 00001.000 | 0994500-0001 | DOOR ASSY, 810 PRINTER 1225-1500-000 | EA |
| 0004 | 00001.000 | 0994323-0001 | BASE/POWER SUPPLY ASSY, 810 1225-1323-999 | EA |
| 0005 | 00001.000 | 0994555-0005 | CON. PANEL ASSY,VFC AND COMP.PRINT (VCO) 1225-0555-000 | EA |
| 0006 | 00001.000 | 0994415-0001 | IDENTIFICATION,KIT 1225-1415-000 | EA |
| 0007 | 00001.000 | 2230492-0001 | KIT,SUPPORT-810 1225-1492-000 | EA |
| 0011 | 00001.000 | 0994319-0002 | PROCESSOR KIT,VERTICAL FORMAT CONTRL 1225-2319-000 | EA |
| 9999 | 00004.000 | 0230999-9999 | COST, SHRINKAGE | EA |

List of Materials

J5/12/84

| PART NUMBER | REV | DESCRIPTION..... | UM | |
|--------------|-----------|------------------------------------|--|----|
| 0994293-0005 | BY | 810 PRINTER ASSY,LQ-FL,COMP. PRINT | | |
| ITEM. | QUANTITY. | COMPONENT.. | DESCRIPTION..... | UM |
| J001 | 00001.000 | 2230487-0004 | NON-FUNCTIONAL ASSY,LQ,10/16.5 CPI-810 1225-4487-000 | EA |
| J002 | JJJJ1.000 | 2360021-0001 | COVER,810/880 (LT. GRAY) 1255-0067-040 | EA |
| J003 | J0001.000 | 0994500-0001 | DOOR ASSY, 810 PRINTER 1225-1500-000 | EA |
| 0004 | J0001.000 | 0994323-0001 | BASE/POWER SUPPLY ASSY, 810 1225-1323-999 | EA |
| 0005 | 00001.000 | 0994555-0003 | CON. PANEL ASSY,FL & COMP. PRINT (FCO) 1225-3555-000 | EA |
| 0006 | 00001.000 | 0994415-0001 | IDENTIFICATION,KIT 1225-1415-000 | EA |
| 0007 | J0001.000 | 2230492-0001 | KIT,SUPPORT-810 1225-1492-000 | EA |
| 0009 | 00001.000 | 2232575-0001 | LETTER QUALITY,2ND GENERATION - 810 1225-1575-012 | EA |
| 0010 | J0001.000 | 2360090-9701 | 810 LETTER QUALITY USER MANUAL 1225-0090-000 | EA |
| 0013 | J0000.000 | 2360095-0001 | PWB ASSY, 810 LQ (FULL-SIZE) 1225-1095-016 | EA |
| 0013A | | | *ALTERNATE TC ITEM 9,NCT TC 1225-1095-016 | |
| J013B | | | *BE USED WITH TTY OR INT'L 1225-1095-016 | |
| J013C | | | *CHARACTER SETS 1225-1095-016 | |
| 0014 | J0001.000 | 0994294-0001 | CARD GUIDE,CENTER 1255-0028-014 | EA |
| J014A | | | *TO BE USED W/ITEM 9 ONLY 1255-0028-014 | |
| 0015 | J0002.000 | 0996225-0001 | FASTENER,PUSHNUT,REMOVABLE .185/.190 DIA PAL - P2001935 | EA |
| 0015A | | | *TO BE USED W/ITEM 9 ONLY PAL - P2001935 | |
| 9999 | J0004.000 | 0239999-9999 | COST, SHRINKAGE | EA |

05/12/84

| PART NUMBER | REV | DESCRIPTION..... | UM | |
|--------------|-----------|------------------------------------|---|----|
| 0994293-0006 | BY | 810 PRINTER ASSY,LQ-VFC,COMP PRINT | | |
| ITEM. | QUANTITY. | COMPONENT.. | DESCRIPTION..... | UM |
| J001 | 00001.000 | 2230487-0004 | NON-FUNCTIONAL ASSY,LQ,10/16.5 CPI-810 1225-4487-000 | EA |
| 0002 | 00001.000 | 2360021-0001 | COVER,810/880 (LT. GRAY) 1255-0067-040 | EA |
| 0003 | J0001.000 | 0994500-0001 | DOOR ASSY, 810 PRINTER 1225-1500-000 | EA |
| 0004 | J0001.000 | 0994323-0001 | BASE/POWER SUPPLY ASSY, 810 1225-1323-999 | EA |
| 0005 | 00001.000 | 0994555-0005 | CON. PANEL ASSY,VFC AND COMP.PRINT (VCO) 1225-0555-000 | EA |
| 0006 | J0001.000 | 0994415-0001 | IDENTIFICATION,KIT 1225-1415-000 | EA |
| J007 | J0001.000 | 2230492-0001 | KIT,SUPPORT-810 1225-1492-000 | EA |
| J009 | J0001.000 | 2232575-0001 | LETTER QUALITY,2ND GENERATION - 810 1225-1575-012 | EA |
| 0010 | 00001.000 | 2360090-9701 | 810 LETTER QUALITY USER MANUAL 1225-0090-000 | EA |

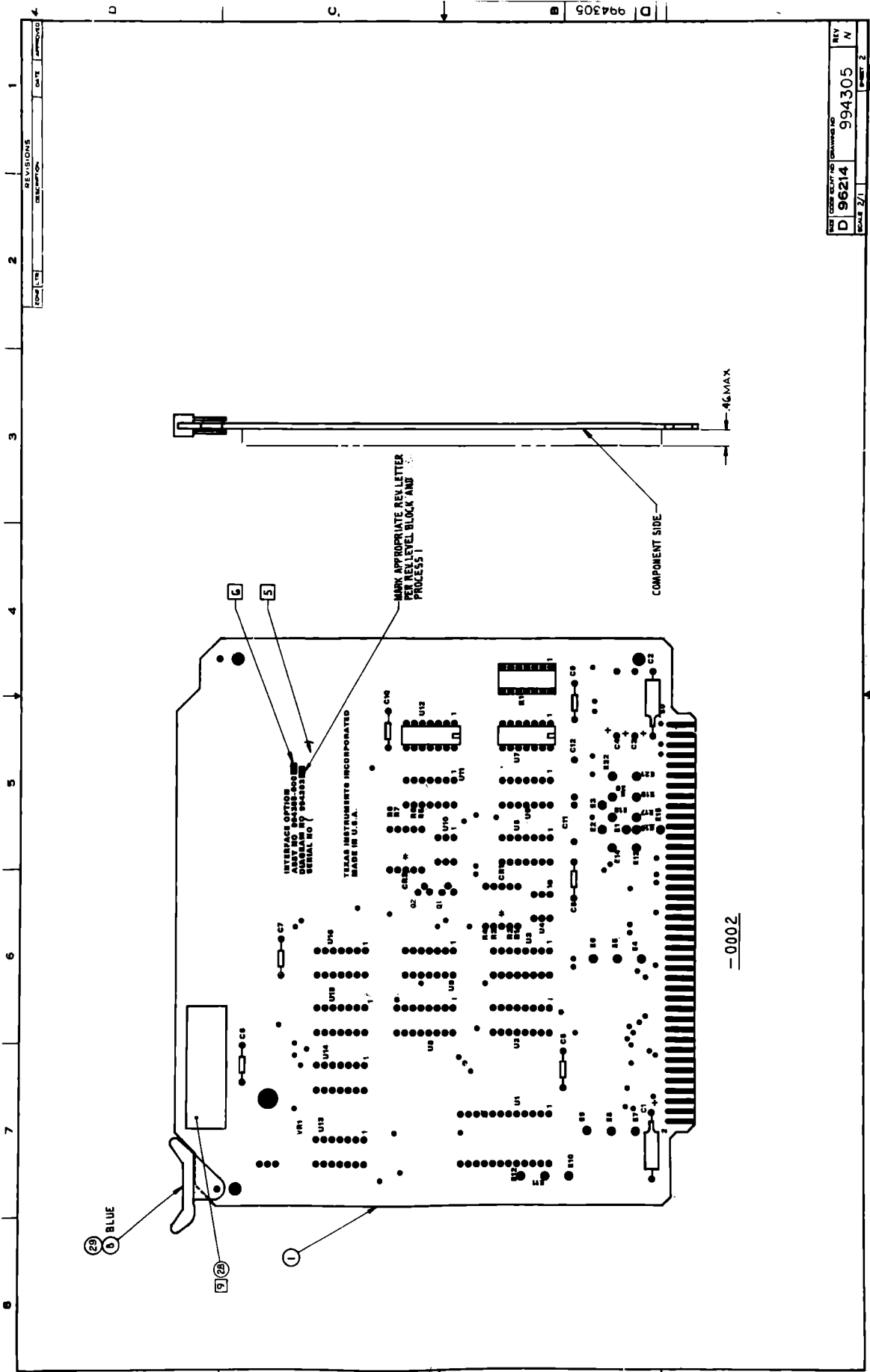
List of Materials

05/12/84

| PART NUMBER | REV | DESCRIPTION..... | |
|--------------|-----------|--------------------------------------|---|
| 0994293-0006 | BY | 810 PRINTER ASSY, LQ-VFC, COMP PRINT | |
| ITEM. | QUANTITY. | COMPONENT.. | DESCRIPTION..... UM |
| 0999 | 00004.000 | 0239999-9999 | COST, SHRINKAGE EA |
| 0011 | 00001.000 | 0994319-0002 | PROCESSOR KIT, VERTICAL FORMAT CONTROL EA |
| 0013 | 00000.000 | 2360095-0001 | PWB ASSY, 810 LQ (FULL-SIZE) EA |
| 0013A | | | 1225-2319-000 *ALTERNATE TO ITEM 9, NOT TC |
| 0013B | | | 1225-1095-016 *BE USED WITH TTY OR INT'L |
| 0013C | | | 1225-1095-016 *CHARACTER SETS |
| 0014 | 00001.000 | 0994294-0001 | CARD GUIDE, CENTER EA |
| 0014A | | | 1255-0028-014 *TO BE USED W/ITEM 9 ONLY |
| 0015 | 00002.000 | 0996225-0001 | FASTENER, PUSHNUT, REMOVABLE .185/.190 DIA EA |
| 0015A | | | PAL - PZ001935 *TO BE USED W/ITEM 9 ONLY PAL - PZ001935 |

05/12/84

| PART NUMBER | REV | DESCRIPTION..... | |
|--------------|-----------|-------------------------------|--|
| 0994293-0007 | BY | 810 PRINTER ASSEMBLY, MC AUTO | |
| ITEM. | QUANTITY. | COMPONENT.. | DESCRIPTION..... UM |
| 0001 | 00001.000 | 2230487-0002 | NON-FUNCTIONAL ASSY, EXP, 10/16.5 CPI-810 EA |
| 0002 | 00001.000 | 2360021-0001 | 1225-2487-000 COVER, 810/800 (LT. GRAY) EA |
| 0003 | 00001.000 | 0994500-0009 | 1255-0067-040 DOOR ASSY, 810 PRINTER, MC AUTO EA |
| 0004 | 00001.000 | 0994323-0001 | 1225-1045-000 BASE/POWER SUPPLY ASSY, 810 EA |
| 0005 | 00001.000 | 0994555-0003 | 1225-1323-999 CON. PANEL ASSY, FL & COMP. PRINT (FCC) EA |
| 0006 | 00001.000 | 0994415-0001 | 1225-3555-000 IDENTIFICATION, KIT EA |
| 0007 | 00001.000 | 2230492-0001 | 1225-1415-000 KIT, SUPPORT-810 EA |
| 0009 | 00001.000 | 2230775-0002 | 1225-1492-000 INTELLIGENT I/F, 810 EA |
| 0010 | 00000.007 | 0231792-0004 | 1225-2775-007 COLOR DOT, YELLOW.250 DIA. SH |
| 0012 | 00001.000 | 2230787-0001 | 085480-0025 YELLOW CABLE ASSY, TTY MCAUTO, 810 EA |
| 0016 | 00002.000 | 2210084-0014 | 1225-1787-009 SEMS, PNH, SLTD, EXT TCOIH 32UNC-2A, .375L EA |
| 0017 | 00001.000 | 0411101-0057 | LOCKWASHER # 4 EXTERNAL TOOTH CRES EA |
| 0018 | 00001.000 | 0972988-0013 | GPL - MS35335-57 SCREW 4-40 X .250 PAN HEAD CRES EA |
| 0019 | 00000.000 | 2230775-0001 | INTELLIGENT I/F, 810 (REPLACED BY -0002) EA |
| 0019A | | | 1225-1775-007 *REPLACED BY ITEM 9 |
| 0999 | 00001.000 | 0239999-9999 | 1225-1775-007 COST, SHRINKAGE EA |



| REV | DATE | DESCRIPTION | APPROVED |
|-----|------|-------------|----------|
| 1 | | | |
| 2 | | | |
| 3 | | | |
| 4 | | | |

| | |
|------------|--------|
| REV | N |
| D | 96214 |
| | 994305 |
| PART | 2/1 |
| PRINTED IN | U.S.A. |

-0002

List of Materials

05/12/84

| PART NUMBER | REV | DESCRIPTION..... | UM | |
|--------------|-----------|------------------------------|---|----|
| 0994305-0001 | N | CURRENT LOOP I/F OPTION, 810 | | |
| ITEM. | QUANTITY. | COMPONENT.. | DESCRIPTION..... | UM |
| 0002 | 0001.000 | 0996015-0001 | IC, QUAD LINE DRIVERS SN75188N TI -SN75188N | EA |
| 0002A | | | U6 | |
| 0003 | 0001.000 | 0972450-0002 | TI -SN75188N NETWORK, SN75188AN/MC1489AL QUAD LINE RCR | EA |
| 0003A | | | SEE - TI DRAWING U11 | |
| 0004 | 0001.000 | 0971000-0004 | SEE - TI DRAWING IC TIL-117 OPTICALLY COUPLED ISOLATOR | EA |
| 0004A | | | U4 | |
| 0005 | 0001.000 | 0972625-0001 | NETWORK JC1449 OPTICALLY COUPLED | EA |
| 0005A | | | TI -OC1449 U10 | |
| 0006 | 0001.000 | 0972900-7400 | TI -OC1449 NETWORK SN74LS06N | EA |
| 0006A | | | 1233-7564-000 U5 | |
| 0007 | 0001.000 | 2211415-0001 | 1233-7564-000 TRANSISTOR NPN | EA |
| 0007A | | | Q1 | |
| 0009 | 0001.000 | 2220095-0001 | TRANSISTOR, NPN, GENERAL PURPOSE | EA |
| 0009A | | | SEE TI- DRAWING Q2 | |
| 0021 | 0001.000 | 0413277-0005 | SEE TI- DRAWING EJECTOR, PCB, NON-LOCKING, YELLOW | EA |
| 0022 | REF | 0994303-9901 | SCA -S-200 (YELLOW) | EA |
| 0023 | REF | 0994246-9901 | DIAGRAM, LOGIC, DETAILED INTERFACE OPTIGN | EA |
| 0024 | REF | 0994246-9901 | MC 810/ATS REVISION LEVEL STATUS | EA |
| 0024 | 0001.000 | 0972742-0001 | SOCKET, SINGLE LEAD, PWB MTG. | EA |
| 0024A | | | E1, E2, E3, E13, E14, E15, E16, | |
| 0024B | | | E17, E18, E19, E20, E21, E22 | |
| 0025 | 0006.000 | 0972713-0001 | PLUG, JUMPER, I.C., 0.300 INCH | EA |
| 0026 | REF | 0994396-9901 | PROCEDURE, SITE & DATE CODE SERIALIZATION | EA |
| 0027 | 0001.000 | 0994305-5001 | AUTO-INSERTED PARTS LIST FOR 994305-0001 | EA |
| 0028 | 0001.000 | 2363830-0002 | 0000-0000-000 LABEL, SYMBOLIZATION (51MM X 13MM) | EA |
| 0029 | 0001.000 | 0085936-0065 | 1225- -000 EYELET, ROLLED FLANGE, .089 O.D. X .312 LG | EA |
| 0029A | | | *USED WITH ITEM 21 | |

List of Materials

05/16/84

| PART NUMBER | REV | DESCRIPTION..... | |
|--------------|-----------|-------------------------------------|---|
| 0994305-0002 | N | PARALLEL I/F OPTION, 810 (OBSOLETE) | |
| ITEM. | QUANTITY. | COMPONENT.. | DESCRIPTION..... UM |
| 0001 | 00001.000 | 0994304-0001 | PWB, INTERFACE OPTION EA |
| 0002 | 00001.000 | 0222222-7400 | NETWORK SN7400N EA |
| J002A | | | - 3-000 U7 |
| 0003 | 00001.000 | 0972653-0001 | - 3-000 NETWORK, SN74LS293N EA |
| J003A | | | U12 |
| 0004 | 00001.000 | 2210188-0011 | SOCKET, DIP, 14-PIN, LOW PROFILE EA |
| J004A | | | SEE T -I DRAWING XK1 |
| 0005 | 00002.000 | 0972924-0006 | SEE T -I DRAWING CAP FIX TANT SOLID 39 UFD 10% 10 VOLT EA |
| J005A | | | QPL -M39003/1-2259 C1, C2 |
| 0006 | 00006.000 | 0972763-0021 | QPL -M39003/1-2259 CAP., FIXED, AXIAL LEAD, .047 UF, +80%, -20% EA |
| J006A | | | 1632-00J0-000 C5, C6, C7, C8, C9, C10 |
| 0007 | 00001.000 | 0539855-0002 | 1632-0000-000 RELAY, REED, DIP-250 MA 10 W 100 VDC EA |
| J007A | | | 095348-GB831A-4 K1 |
| 0008 | 00001.000 | 0413277-0011 | 095348-GB831A-4 EJECTOR, PCB, NON-LOCKING, R.BLUE EA |
| 0022 | REF | 0994303-9901 | SCA -S-200 IR.BLUE DIAGRAM, LOGIC, DETAILED INTERFACE OPTION EA |
| J023 | REF | 0994246-9901 | MC 810/ATS REVISION LEVEL STATUS EA |
| 0026 | REF | 0994396-9901 | PROCEDURE, SITE & DATE CODE SERIALIZATION EA |
| 0028 | 00001.000 | 2363830-0002 | LABEL, SYMBOLIZATION (51MM X 13MM) EA |
| J029A | | | 1225- -000 |
| 0029 | 00001.000 | 0085936-0065 | EYELET, ROLLED FLANGE, .089 O.D. X .312 LG EA |
| 0029A | | | *USED WITH ITEM 8 |

05/12/84

| PART NUMBER | REV | DESCRIPTION..... | |
|--------------|-----------|--|----------------------------|
| 0994305-5001 | N | AUTO-INSERTED PARTS LIST FOR 994305-0001 | |
| ITEM. | QUANTITY. | COMPONENT.. | DESCRIPTION..... UM |
| 0001 | 00001.000 | 0994304-0001 | PWB, INTERFACE OPTION EA |
| 0014 | J0001.000 | 0994305-5501 | SEQUENCE TAPE FOR -5001 EA |
| | | | 0000-0000-000 |

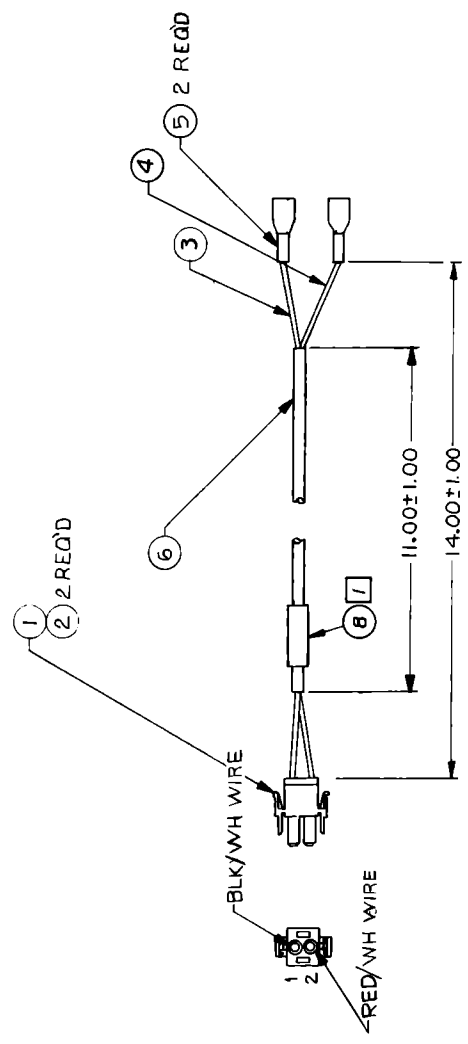
List of Materials

05/12/84

| PART NUMBER | REV | DESCRIPTION..... | |
|--------------|-----------|-------------------------|--|
| 0994305-5501 | N | SEQUENCE TAPE FOR -5001 | |
| ITEM. | QUANTITY. | COMPONENT.. | DESCRIPTION..... UM |
| 0002 | 00001.000 | 0972934-0006 | DIODE,1N751A 5.1 V 5% SIL VOLT REG EA QPL - 1N751A |
| 0002A | | | CR1 |
| 0003 | 00001.000 | 0972946-0037 | CPL - 1N751A RES FIX 68.0 OHM 5% .25 W.CARBON FILM EA RCH - R-25 |
| 0003A | | | R1 |
| 0004 | 00002.000 | 0972946-0045 | RCH - R-25 RES FIX 150 OHM 5% .25 W CARBON FILM EA SEE TI- DRAWING |
| 0004A | | | R4,R8 |
| 0005 | 00001.000 | 0972946-0065 | SEE TI- DRAWING RES FIX 1.0K OHM 5% .25 W CARBON FILM EA RCH - R-25 |
| 0005A | | | R6 |
| 0006 | 00001.000 | 0972946-0069 | RCH - R-25 RES FIX 1.5K OHM 5% .25 W CARBON FILM EA RCH - R-25 |
| 0006A | | | R5 |
| 0007 | 00001.000 | 0972946-0077 | RCH - R-25 RES FIX 3.3K OHM 5% .25 W CARBON FILM EA RCH - R-25 |
| 0007A | | | R2 |
| 0008 | 00001.000 | 0972946-0081 | RCH - R-25 RES FIX 4.7K OHM 5% .25 W CARBON FILM EA RCH - R-25 |
| 0008A | | | R7 |
| 0009 | 00001.000 | 0972946-0121 | RCH - R-25 RES FIX 220K OHM 5% .25 W CARBON FILM EA RCH - R-25 |
| 0009A | | | R3 |
| 0010 | 00001.000 | 0972924-0006 | RCH - R-25 CAP FIX TANT SOLID 39 UFD 10% 10 VOLT EA CPL -M39003/1-2259 |
| 0010A | | | C1 |
| 0011 | 00002.000 | 0972924-0014 | QPL -M39003/1-2259 CAP FIX TANT SOLID 15 UFD 10% 20 VOLT EA CPL -M39003/1-2289 |
| 0011A | | | C3,C4 |
| 0012 | 00008.000 | 0972763-0021 | CPL -M39003/1-2289 CAP.,FIXED,AXIAL LEAD,.047 UF,+80%,-20% EA 1632-0000-000 |
| 0012A | | | C5,C6,C7,C8,C9,C10,C11,C12 |
| 0013 | 00001.000 | 0539468-0003 | 1632-0000-000 DIODE,1N4003 1AMP 200PIV RECTIFIER EA TI - IN4003 |
| 0013A | | | CR2 |
| | | | TI - IN4003 |

NOTES:

1 MARK PER DRAWING 2265070



| | |
|--------------|------------------------------------|
| 0994307-5001 | BULK CABLE ASSY MATERIAL FOR -0001 |
| 0994307-0001 | CABLE ASSY CARRIAGE DRIVE |
| PART NUMBER | DESCRIPTION |

| | | | |
|---|--------|--------|---------------------|
| MARK | 100-07 | 75 | COLOR, BLACK TYPE 6 |
| SEQ NO | IDENT | F-SPEC | NO |
| PROCESS CLASSIFICATION | | | |
| FOR CORRELATION TO GOVT/IND SPECIFICATIONS, SEE TI DRAWING 729467 | | | |

| | |
|---|---|
| UNLESS OTHERWISE SPECIFIED | |
| <ul style="list-style-type: none"> REMOVE ALL BURRS AND SHARP EDGES CONCENTRICITY MACHINED DIMENSIONS OTHER THAN ANGLES ± .1 FINISH PROCESSING IDENTIFYING NUMBERS SHOWN IN DRAWING SHALL INTERPRET DRAWING IN ACCORDANCE WITH MIL-STD-100 | <ul style="list-style-type: none"> HOLE TOLERANCE 013 + .004 - .126 + .005 - .251 + .008 125 - .001 - .250 - .001 - .500 - .001 501 + .008 - .751 + .010 - 1.001 + .012 750 - .001 - 1.000 - .001 - 2.000 - .001 |
| APPLICATION | 340. |

| | |
|--|---|
| UNLESS OTHERWISE SPECIFIED | UNLESS OTHERWISE SPECIFIED |
| <ul style="list-style-type: none"> DIMENSIONS ARE IN INCHES ANGLES ± .1 3 PLACE DECIMALS ± .010 2 PLACE DECIMALS ± .02 | <ul style="list-style-type: none"> REMOVE ALL BURRS AND SHARP EDGES CONCENTRICITY MACHINED DIMENSIONS OTHER THAN ANGLES ± .1 FINISH PROCESSING IDENTIFYING NUMBERS SHOWN IN DRAWING SHALL INTERPRET DRAWING IN ACCORDANCE WITH MIL-STD-100 |
| APPLICATION | 340. |

| | |
|------------------|---------|
| OWN | DATE |
| CHK | 6-23-76 |
| ENGR | 8/1/76 |
| QA | 8/1/76 |
| APVD | 8/3/76 |
| CONTR NO | 8/3/76 |
| ISSN AND RELEASE | 8/1/76 |

| | |
|--------------------------------------|--------------------------|
| TEXAS INSTRUMENTS Equipment Group | |
| CABLE ASSY, CARRIAGE DRIVE | |
| SIZE | CODE IDENT NO DRAWING NO |
| C 96214 | 994307 |
| SCALE NONE | SHEET |

9-111

REVISIONS

| ZONE | LTR | DESCRIPTION | DATE | APPROVED |
|---|-----|--|----------|----------|
| A | P | REVISED AND UPDATED LM | 7-20-76 | |
| B | A | FORMAL RELEASE | | |
| C | A | 1) CHANGED ITEM 5 WAS P/N 972171-0055 2) CHANGED IMA WAS 994292 Y 994245 | 10/2/76 | |
| D | A | 1) ITEM 6 WAS QTY 1.4 FEET P/N 411634-2600 DESCRIPTION SLEEVE PVC 2.63 DIA 2) ITEM 7 VENDOR PART NO. WAS GPL-MS3368-02 | 5-5-77 | |
| E | A | 1) CHANGED ITEM 6 WAS P/N 411634-1300 SLEEVE, PVC .133 DIA. | 9/25/78 | |
| F | A | 1) WH WIRE WAS BLK WIRE (2) 2) RED/WH WIRE WAS RED WIRE 3) LM CHANGE ADDED ITEM 4 | 12/12/79 | |
| G | A | 1) DIM'S 11.00 AND 14.00 WERE 17.00 ± 2.00 (Q) LM 2) QTY ITEMS 3-4 AND 6 WERE 2.000 FT 3) 2.000 FT AND 1.000 FT | 3-7-79 | |
| H | A | 1) ITEM 7 FCGM RIGHT END (CF CASE) | 8/12/74 | |
| I | A | 1) ITEM 7 (2) ADDED NOTE 1 AND ITEM 8 (3) ITEM 6 WAS -0011 | 3-27-81 | |
| J | A | 1) ITEM 7 (2) DELETED | 3-27-81 | |
| K | A | 1) ITEM 7 (2) DELETED | 6-17-81 | |
| L | A | 1) ITEM 6 WAS 0972436-0035 | 2-5-80 | |
| M | A | 1) ITEM 6 WAS 0972436-0035 | 9-29-82 | |
| (1) ADDED -5001 LM (2) REVISED -0001 LM | | | | |

994307

List of Materials

05/12/84

PART NUMBER REV DESCRIPTION.....
 0994307-0001 M CABLE ASSY,CARRIAGE DRIVE

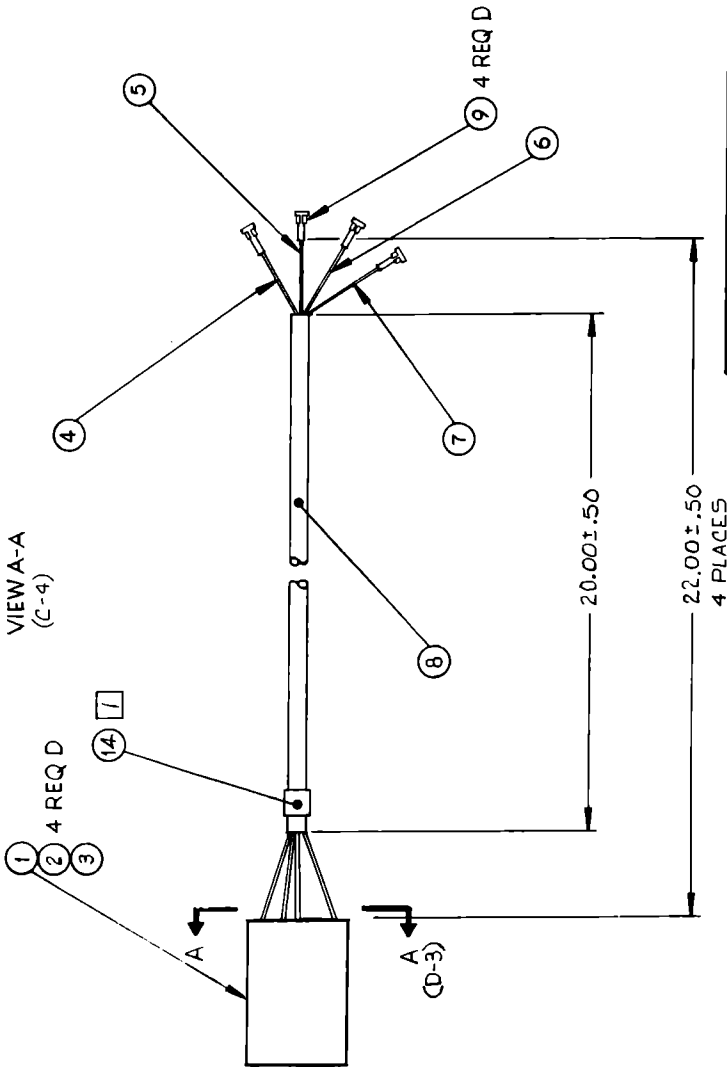
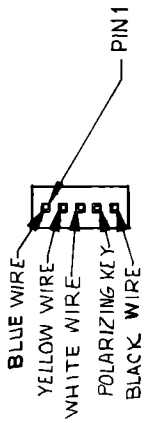
| ITEM. | QUANTITY. | COMPONENT.. | DESCRIPTION..... | UM |
|-------|-----------|--------------|---|----|
| 0001 | 00001.000 | 0996009-0001 | CONNECTOR HOUSING,MALE PLUG 2 CIRCUITS AMP -350777-1 | EA |
| 0001A | | | P5 AMP -350777-1 | |
| 0101 | 00001.000 | 0994307-5001 | BULK CABLE ASSY MATERIAL FGR -0001 1225-0307-115 | EA |

05/12/84

PART NUMBER REV DESCRIPTION.....
 0994337-5001 M BULK CABLE ASSY MATERIAL FGR -0001

| ITEM. | QUANTITY. | COMPONENT.. | DESCRIPTION..... | UM |
|-------|-----------|--------------|---|----|
| 0002 | 00002.000 | 0996007-0001 | CONTACT,CORN CRIMP ST 24-18AWG AMP -350561-1 | EA |
| 0003 | 00001.500 | 0935170-4299 | WIRE,UL 1429,19 STRD,20AWG,WHT/RED 1650-0000-000 | FT |
| 0004 | 00001.500 | 0935170-4099 | WIRE,UL 1429,19 STRD,20AWG,WHT/BLK 1650-0000-000 | FT |
| 0005 | 00002.000 | 0996334-0002 | TERMINAL .187 X .020 MALE AMP - 2-350799-2 | EA |
| 0006 | 00001.000 | 0972436-0036 | INSUL SLVG,#4 PVC .203 ID .020THK 003890-HT-105C-4 | FT |
| 0008 | 00001.000 | 2210317-0001 | LABEL,BLANK,CABLE MARKER 085480-SLPF-19319-4 | EA |

NOTES UNLESS OTHERWISE SPECIFIED:
 [1] MARK PER PROCESS 1, DRAWING 2265070
 LINE 4 TEXT "P2"



| | | | |
|----|--------|---------|---------------------|
| NO | IDENT | PROCESS | ADDITIONAL |
| 1 | 100-07 | 712 | COLOR BLACK TYPE 6 |
| 2 | 909-01 | 01 | COLOR BLACK HGT. D6 |

FOR CORRELATION TO GOVT/IND SPECIFICATIONS, SEE TI DRAWING 729467

| | |
|------------------------------------|--------|
| UNLESS OTHERWISE SPECIFIED | |
| * REMOVE ALL BURRS AND SHARP EDGES | |
| * DIMENSIONS ARE IN INCHES | |
| * TOLERANCES: | |
| ANGLES ± .01 | |
| DIMENSIONS ± .01 | |
| HOLE TOLERANCE | |
| .013 THRU .125 | ± .005 |
| .125 THRU .500 | ± .006 |
| .500 THRU 1.000 | ± .008 |
| 1.000 THRU 2.000 | ± .010 |
| 2.000 THRU 3.000 | ± .012 |
| 3.000 THRU 4.000 | ± .015 |
| 4.000 THRU 6.000 | ± .020 |
| 6.000 THRU 10.000 | ± .025 |
| 10.000 THRU 15.000 | ± .030 |
| 15.000 THRU 20.000 | ± .035 |
| 20.000 THRU 30.000 | ± .040 |
| 30.000 THRU 40.000 | ± .045 |
| 40.000 THRU 50.000 | ± .050 |
| 50.000 THRU 60.000 | ± .055 |
| 60.000 THRU 70.000 | ± .060 |
| 70.000 THRU 80.000 | ± .065 |
| 80.000 THRU 90.000 | ± .070 |
| 90.000 THRU 100.000 | ± .075 |

| | |
|-------------|-----------------------------|
| 994309-5001 | BULK CABLE ASSY MATL FOR -1 |
| 994309-0001 | CABLE ASSY, RIBBON DRIVE |

| | | | |
|---|----------|-------|----------------------------|
| 1 | ITEM NO | CODE | PART OR IDENTIFYING NUMBER |
| 2 | QTY REQD | IDENT | DESCRIPTION |

| | |
|----------------------------|--------|
| UNLESS OTHERWISE SPECIFIED | |
| * DIMENSIONS ARE IN INCHES | |
| * TOLERANCES: | |
| ANGLES ± .01 | |
| DIMENSIONS ± .01 | |
| HOLE TOLERANCE | |
| .013 THRU .125 | ± .005 |
| .125 THRU .500 | ± .006 |
| .500 THRU 1.000 | ± .008 |
| 1.000 THRU 2.000 | ± .010 |
| 2.000 THRU 3.000 | ± .012 |
| 3.000 THRU 4.000 | ± .015 |
| 4.000 THRU 6.000 | ± .020 |
| 6.000 THRU 10.000 | ± .025 |
| 10.000 THRU 15.000 | ± .030 |
| 15.000 THRU 20.000 | ± .035 |
| 20.000 THRU 30.000 | ± .040 |
| 30.000 THRU 40.000 | ± .045 |
| 40.000 THRU 50.000 | ± .050 |
| 50.000 THRU 60.000 | ± .055 |
| 60.000 THRU 70.000 | ± .060 |
| 70.000 THRU 80.000 | ± .065 |
| 80.000 THRU 90.000 | ± .070 |
| 90.000 THRU 100.000 | ± .075 |

| | |
|-------------|-----------------------------|
| 994309-5001 | BULK CABLE ASSY MATL FOR -1 |
| 994309-0001 | CABLE ASSY, RIBBON DRIVE |

| | | | |
|---|----------|-------|----------------------------|
| 1 | ITEM NO | CODE | PART OR IDENTIFYING NUMBER |
| 2 | QTY REQD | IDENT | DESCRIPTION |

| | |
|----------------------------|--------|
| UNLESS OTHERWISE SPECIFIED | |
| * DIMENSIONS ARE IN INCHES | |
| * TOLERANCES: | |
| ANGLES ± .01 | |
| DIMENSIONS ± .01 | |
| HOLE TOLERANCE | |
| .013 THRU .125 | ± .005 |
| .125 THRU .500 | ± .006 |
| .500 THRU 1.000 | ± .008 |
| 1.000 THRU 2.000 | ± .010 |
| 2.000 THRU 3.000 | ± .012 |
| 3.000 THRU 4.000 | ± .015 |
| 4.000 THRU 6.000 | ± .020 |
| 6.000 THRU 10.000 | ± .025 |
| 10.000 THRU 15.000 | ± .030 |
| 15.000 THRU 20.000 | ± .035 |
| 20.000 THRU 30.000 | ± .040 |
| 30.000 THRU 40.000 | ± .045 |
| 40.000 THRU 50.000 | ± .050 |
| 50.000 THRU 60.000 | ± .055 |
| 60.000 THRU 70.000 | ± .060 |
| 70.000 THRU 80.000 | ± .065 |
| 80.000 THRU 90.000 | ± .070 |
| 90.000 THRU 100.000 | ± .075 |

| | | | |
|----|--------|---------|---------------------|
| NO | IDENT | PROCESS | ADDITIONAL |
| 1 | 100-07 | 712 | COLOR BLACK TYPE 6 |
| 2 | 909-01 | 01 | COLOR BLACK HGT. D6 |

| | | | |
|----|--------|---------|---------------------|
| NO | IDENT | PROCESS | ADDITIONAL |
| 1 | 100-07 | 712 | COLOR BLACK TYPE 6 |
| 2 | 909-01 | 01 | COLOR BLACK HGT. D6 |

| ZONE | LTR | DESCRIPTION | DATE | APPROVED |
|------|-----------|--|---------|----------|
| A | 396031 | R. Wilson 7-20-76 1. LM ONLY: ADDED ITEM 13 2. LM ONLY: ITEM 8 QTY WAS 25 FT. | | |
| B | 408507(D) | 12/21/76 DIM. 31.0 WAS 32.0; DIM. 29.00 ± .50 WAS 29.00 ± 1.00 CHG WIRE COLORS; ITEM 4 WAS 538347-2399, QTY 3 FT; ITEM 5 WAS 538347-2599, QTY 3 FT; ITEM 6 WAS 538347-2799, QTY 3 FT; ITEM 7 WAS 538347-2499, QTY 3 FT; ITEM 8 QTY WAS 3 FT. 50 DIM WAS 15.0 | 1-17-77 | |
| C | CN421026 | 1. LM CHANGED ITEM 8 DASH NUMBER WAS -100 DESCRIPTION WAS .106 DIA | 2/12/77 | |
| D | CN423234 | 1. LM: CHANGED ITEM 8 P/N WAS 041634-1500 2. F/D: ZONE B-4, DELETED DIM 100 ± .25 ZONE B-3, DELETED DIM 1.00 | 10-7-77 | |
| E | CN424665 | C. EDWARDS 1. ZEN B-4 NOTE WAS "MARK P7 PER..." | 1-31-78 | |
| F | CN420115 | 2. MWS ITEMS 4 THRU 8 QTY WAS 2.5 (2) ± .33 DIM 20.00 WAS 27.00 (3) DIM 22.00 WAS 31.00 | 2-7-78 | |
| G | CN434163 | (E) DELETED ITEM 8 WAS 10/5/78 411634-1700 | 10/5/78 | |
| H | CN438894 | (D) DELETED ITEM 3 WAS 972559-1 | 4/1/79 | |
| J | CN452324 | (D) DELETED ITEM 9 WAS 912171-0055 (2) ITEM 4 WAS 538347-3999 (3) ITEM 5 WAS 538347-3099 (4) ITEM 6 WAS 538347-3699 (5) ITEM 7 WAS 538347-4799 (6) ITEM 8 WAS 538347-5099 (7) ITEM 9 WAS 538347-5399 (8) ITEM 10 WAS 538347-5699 (9) ITEM 11 WAS 538347-5999 (10) ITEM 12 WAS 538347-6299 (11) ITEM 13 WAS 538347-6599 (12) ITEM 14 WAS 538347-6899 (13) ITEM 15 WAS 538347-7199 (14) ITEM 16 WAS 538347-7499 (15) ITEM 17 WAS 538347-7799 (16) ITEM 18 WAS 538347-8099 (17) ITEM 19 WAS 538347-8399 (18) ITEM 20 WAS 538347-8699 (19) ITEM 21 WAS 538347-8999 (20) ITEM 22 WAS 538347-9299 (21) ITEM 23 WAS 538347-9599 (22) ITEM 24 WAS 538347-9899 (23) ITEM 25 WAS 538347-10199 (24) ITEM 26 WAS 538347-10499 (25) ITEM 27 WAS 538347-10799 (26) ITEM 28 WAS 538347-11099 (27) ITEM 29 WAS 538347-11399 (28) ITEM 30 WAS 538347-11699 (29) ITEM 31 WAS 538347-11999 (30) ITEM 32 WAS 538347-12299 (31) ITEM 33 WAS 538347-12599 (32) ITEM 34 WAS 538347-12899 (33) ITEM 35 WAS 538347-13199 (34) ITEM 36 WAS 538347-13499 (35) ITEM 37 WAS 538347-13799 (36) ITEM 38 WAS 538347-14099 (37) ITEM 39 WAS 538347-14399 (38) ITEM 40 WAS 538347-14699 (39) ITEM 41 WAS 538347-14999 (40) ITEM 42 WAS 538347-15299 (41) ITEM 43 WAS 538347-15599 (42) ITEM 44 WAS 538347-15899 (43) ITEM 45 WAS 538347-16199 (44) ITEM 46 WAS 538347-16499 (45) ITEM 47 WAS 538347-16799 (46) ITEM 48 WAS 538347-17099 (47) ITEM 49 WAS 538347-17399 (48) ITEM 50 WAS 538347-17699 (49) ITEM 51 WAS 538347-17999 (50) ITEM 52 WAS 538347-18299 (51) ITEM 53 WAS 538347-18599 (52) ITEM 54 WAS 538347-18899 (53) ITEM 55 WAS 538347-19199 (54) ITEM 56 WAS 538347-19499 (55) ITEM 57 WAS 538347-19799 (56) ITEM 58 WAS 538347-20099 (57) ITEM 59 WAS 538347-20399 (58) ITEM 60 WAS 538347-20699 (59) ITEM 61 WAS 538347-20999 (60) ITEM 62 WAS 538347-21299 (61) ITEM 63 WAS 538347-21599 (62) ITEM 64 WAS 538347-21899 (63) ITEM 65 WAS 538347-22199 (64) ITEM 66 WAS 538347-22499 (65) ITEM 67 WAS 538347-22799 (66) ITEM 68 WAS 538347-23099 (67) ITEM 69 WAS 538347-23399 (68) ITEM 70 WAS 538347-23699 (69) ITEM 71 WAS 538347-23999 (70) ITEM 72 WAS 538347-24299 (71) ITEM 73 WAS 538347-24599 (72) ITEM 74 WAS 538347-24899 (73) ITEM 75 WAS 538347-25199 (74) ITEM 76 WAS 538347-25499 (75) ITEM 77 WAS 538347-25799 (76) ITEM 78 WAS 538347-26099 (77) ITEM 79 WAS 538347-26399 (78) ITEM 80 WAS 538347-26699 (79) ITEM 81 WAS 538347-26999 (80) ITEM 82 WAS 538347-27299 (81) ITEM 83 WAS 538347-27599 (82) ITEM 84 WAS 538347-27899 (83) ITEM 85 WAS 538347-28199 (84) ITEM 86 WAS 538347-28499 (85) ITEM 87 WAS 538347-28799 (86) ITEM 88 WAS 538347-29099 (87) ITEM 89 WAS 538347-29399 (88) ITEM 90 WAS 538347-29699 (89) ITEM 91 WAS 538347-29999 (90) ITEM 92 WAS 538347-30299 (91) ITEM 93 WAS 538347-30599 (92) ITEM 94 WAS 538347-30899 (93) ITEM 95 WAS 538347-31199 (94) ITEM 96 WAS 538347-31499 (95) ITEM 97 WAS 538347-31799 (96) ITEM 98 WAS 538347-32099 (97) ITEM 99 WAS 538347-32399 (98) ITEM 100 WAS 538347-32699 (99) ITEM 101 WAS 538347-32999 (100) ITEM 102 WAS 538347-33299 (101) ITEM 103 WAS 538347-33599 (102) ITEM 104 WAS 538347-33899 (103) ITEM 105 WAS 538347-34199 (104) ITEM 106 WAS 538347-34499 (105) ITEM 107 WAS 538347-34799 (106) ITEM 108 WAS 538347-35099 (107) ITEM 109 WAS 538347-35399 (108) ITEM 110 WAS 538347-35699 (109) ITEM 111 WAS 538347-35999 (110) ITEM 112 WAS 538347-36299 (111) ITEM 113 WAS 538347-36599 (112) ITEM 114 WAS 538347-36899 (113) ITEM 115 WAS 538347-37199 (114) ITEM 116 WAS 538347-37499 (115) ITEM 117 WAS 538347-37799 (116) ITEM 118 WAS 538347-38099 (117) ITEM 119 WAS 538347-38399 (118) ITEM 120 WAS 538347-38699 (119) ITEM 121 WAS 538347-38999 (120) ITEM 122 WAS 538347-39299 (121) ITEM 123 WAS 538347-39599 (122) ITEM 124 WAS 538347-39899 (123) ITEM 125 WAS 538347-40199 (124) ITEM 126 WAS 538347-40499 (125) ITEM 127 WAS 538347-40799 (126) ITEM 128 WAS 538347-41099 (127) ITEM 129 WAS 538347-41399 (128) ITEM 130 WAS 538347-41699 (129) ITEM 131 WAS 538347-41999 (130) ITEM 132 WAS 538347-42299 (131) ITEM 133 WAS 538347-42599 (132) ITEM 134 WAS 538347-42899 (133) ITEM 135 WAS 538347-43199 (134) ITEM 136 WAS 538347-43499 (135) ITEM 137 WAS 538347-43799 (136) ITEM 138 WAS 538347-44099 (137) ITEM 139 WAS 538347-44399 (138) ITEM 140 WAS 538347-44699 (139) ITEM 141 WAS 538347-44999 (140) ITEM 142 WAS 538347-45299 (141) ITEM 143 WAS 538347-45599 (142) ITEM 144 WAS 538347-45899 (143) ITEM 145 WAS 538347-46199 (144) ITEM 146 WAS 538347-46499 (145) ITEM 147 WAS 538347-46799 (146) ITEM 148 WAS 538347-47099 (147) ITEM 149 WAS 538347-47399 (148) ITEM 150 WAS 538347-47699 (149) ITEM 151 WAS 538347-47999 (150) ITEM 152 WAS 538347-48299 (151) ITEM 153 WAS 538347-48599 (152) ITEM 154 WAS 538347-48899 (153) ITEM 155 WAS 538347-49199 (154) ITEM 156 WAS 538347-49499 (155) ITEM 157 WAS 538347-49799 (156) ITEM 158 WAS 538347-50099 (157) ITEM 159 WAS 538347-50399 (158) ITEM 160 WAS 538347-50699 (159) ITEM 161 WAS 538347-50999 (160) ITEM 162 WAS 538347-51299 (161) ITEM 163 WAS 538347-51599 (162) ITEM 164 WAS 538347-51899 (163) ITEM 165 WAS 538347-52199 (164) ITEM 166 WAS 538347-52499 (165) ITEM 167 WAS 538347-52799 (166) ITEM 168 WAS 538347-53099 (167) ITEM 169 WAS 538347-53399 (168) ITEM 170 WAS 538347-53699 (169) ITEM 171 WAS 538347-53999 (170) ITEM 172 WAS 538347-54299 (171) ITEM 173 WAS 538347-54599 (172) ITEM 174 WAS 538347-54899 (173) ITEM 175 WAS 538347-55199 (174) ITEM 176 WAS 538347-55499 (175) ITEM 177 WAS 538347-55799 (176) ITEM 178 WAS 538347-56099 (177) ITEM 179 WAS 538347-56399 (178) ITEM 180 WAS 538347-56699 (179) ITEM 181 WAS 538347-56999 (180) ITEM 182 WAS 538347-57299 (181) ITEM 183 WAS 538347-57599 (182) ITEM 184 WAS 538347-57899 (183) ITEM 185 WAS 538347-58199 (184) ITEM 186 WAS 538347-58499 (185) ITEM 187 WAS 538347-58799 (186) ITEM 188 WAS 538347-59099 (187) ITEM 189 WAS 538347-59399 (188) ITEM 190 WAS 538347-59699 (189) ITEM 191 WAS 538347-59999 (190) ITEM 192 WAS 538347-60299 (191) ITEM 193 WAS 538347-60599 (192) ITEM 194 WAS 538347-60899 (193) ITEM 195 WAS 538347-61199 (194) ITEM 196 WAS 538347-61499 (195) ITEM 197 WAS 538347-61799 (196) ITEM 198 WAS 538347-62099 (197) ITEM 199 WAS 538347-62399 (198) ITEM 200 WAS 538347-62699 (199) ITEM 201 WAS 538347-62999 (200) ITEM 202 WAS 538347-63299 (201) ITEM 203 WAS 538347-63599 (202) ITEM 204 WAS 538347-63899 (203) ITEM 205 WAS 538347-64199 (204) ITEM 206 WAS 538347-64499 (205) ITEM 207 WAS 538347-64799 (206) ITEM 208 WAS 538347-65099 (207) ITEM 209 WAS 538347-65399 (208) ITEM 210 WAS 538347-65699 (209) ITEM 211 WAS 538347-65999 (210) ITEM 212 WAS 538347-66299 (211) ITEM 213 WAS 538347-66599 (212) ITEM 214 WAS 538347-66899 (213) ITEM 215 WAS 538347-67199 (214) ITEM 216 WAS 538347-67499 (215) ITEM 217 WAS 538347-67799 (216) ITEM 218 WAS 538347-68099 (217) ITEM 219 WAS 538347-68399 (218) ITEM 220 WAS 538347-68699 (219) ITEM 221 WAS 538347-68999 (220) ITEM 222 WAS 538347-69299 (221) ITEM 223 WAS 538347-69599 (222) ITEM 224 WAS 538347-69899 (223) ITEM 225 WAS 538347-70199 (224) ITEM 226 WAS 538347-70499 (225) ITEM 227 WAS 538347-70799 (226) ITEM 228 WAS 538347-71099 (227) ITEM 229 WAS 538347-71399 (228) ITEM 230 WAS 538347-71699 (229) ITEM 231 WAS 538347-71999 (230) ITEM 232 WAS 538347-72299 (231) ITEM 233 WAS 538347-72599 (232) ITEM 234 WAS 538347-72899 (233) ITEM 235 WAS 538347-73199 (234) ITEM 236 WAS 538347-73499 (235) ITEM 237 WAS 538347-73799 (236) ITEM 238 WAS 538347-74099 (237) ITEM 239 WAS 538347-74399 (238) ITEM 240 WAS 538347-74699 (239) ITEM 241 WAS 538347-74999 (240) ITEM 242 WAS 538347-75299 (241) ITEM 243 WAS 538347-75599 (242) ITEM 244 WAS 538347-75899 (243) ITEM 245 WAS 538347-76199 (244) ITEM 246 WAS 538347-76499 (245) ITEM 247 WAS 538347-76799 (246) ITEM 248 WAS 538347-77099 (247) ITEM 249 WAS 538347-77399 (248) ITEM 250 WAS 538347-77699 (249) ITEM 251 WAS 538347-77999 (250) ITEM 252 WAS 538347-78299 (251) ITEM 253 WAS 538347-78599 (252) ITEM 254 WAS 538347-78899 (253) ITEM 255 WAS 538347-79199 (254) ITEM 256 WAS 538347-79499 (255) ITEM 257 WAS 538347-79799 (256) ITEM 258 WAS 538347-80099 (257) ITEM 259 WAS 538347-80399 (258) ITEM 260 WAS 538347-80699 (259) ITEM 261 WAS 538347-80999 (260) ITEM 262 WAS 538347-81299 (261) ITEM 263 WAS 538347-81599 (262) ITEM 264 WAS 538347-81899 (263) ITEM 265 WAS 538347-82199 (264) ITEM 266 WAS 538347-82499 (265) ITEM 267 WAS 538347-82799 (266) ITEM 268 WAS 538347-83099 (267) ITEM 269 WAS 538347-83399 (268) ITEM 270 WAS 538347-83699 (269) ITEM 271 WAS 538347-83999 (270) ITEM 272 WAS 538347-84299 (271) ITEM 273 WAS 538347-84599 (272) ITEM 274 WAS 538347-84899 (273) ITEM 275 WAS 538347-85199 (274) ITEM 276 WAS 538347-85499 (275) ITEM 277 WAS 538347-85799 (276) ITEM 278 WAS 538347-86099 (277) ITEM 279 WAS 538347-86399 (278) ITEM 280 WAS 538347-86699 (279) ITEM 281 WAS 538347-86999 (280) ITEM 282 WAS 538347-87299 (281) ITEM 283 WAS 538347-87599 (282) ITEM 284 WAS 538347-87899 (283) ITEM 285 WAS 538347-88199 (284) ITEM 286 WAS 538347-88499 (285) ITEM 287 WAS 538347-88799 (286) ITEM 288 WAS 538347-89099 (287) ITEM 289 WAS 538347-89399 (288) ITEM 290 WAS 538347-89699 (289) ITEM 291 WAS 538347-89999 (290) ITEM 292 WAS 538347-90299 (291) ITEM 293 WAS 538347-90599 (292) ITEM 294 WAS 538347-90899 (293) ITEM 295 WAS 538347-91199 (294) ITEM 296 WAS 538347-91499 (295) ITEM 297 WAS 538347-91799 (296) ITEM 298 WAS 538347-92099 (297) ITEM 299 WAS 538347-92399 (298) ITEM 300 WAS 538347-92699 (299) ITEM 301 WAS 538347-92999 (300) ITEM 302 WAS 538347-93299 (301) ITEM 303 WAS 538347-93599 (302) ITEM 304 WAS 538347-93899 (303) ITEM 305 WAS 538347-94199 (304) ITEM 306 WAS 538347-94499 (305) ITEM 307 WAS 538347-94799 (306) ITEM 308 WAS 538347-95099 (307) ITEM 309 WAS 538347-95399 (308) ITEM 310 WAS 538347-95699 (309) ITEM 311 WAS 538347-95999 (310) ITEM 312 WAS 538347-96299 (311) ITEM 313 WAS 538347-96599 (312) ITEM 314 WAS 538347-96899 (313) ITEM 315 WAS 538347-97199 (314) ITEM 316 WAS 538347-97499 (315) ITEM 317 WAS 538347-97799 (316) ITEM 318 WAS 538347-98099 (317) ITEM 319 WAS 538347-98399 (318) ITEM 320 WAS 538347-98699 (319) ITEM 321 WAS 538347-98999 (320) ITEM 322 WAS 538347-99299 (321) ITEM 323 WAS 538347-99599 (322) ITEM 324 WAS 5 | | |

List of Materials

05/12/84

| PART NUMBER | REV | DESCRIPTION..... | |
|--------------|-----------|--------------------------|--|
| 0994309-0001 | M | CABLE ASSY, R100CN DRIVE | |
| ITEM. | QUANTITY. | COMPONENT.. | DESCRIPTION..... UM |
| 0001 | 00001.000 | 0972484-0005 | CONNECTOR HOUSING 5 CONTACT T11 --87175-2 EA |
| 0001A | | | P1 |
| 0010 | 00000.000 | 0772707-0032 | RECEP, TERM, .505 LG .100 CENTER/CENTER EA |
| 0010A | | | BER -65039-032 ITEMS 10, 11, & 12 MAY BE |
| 0010B | | | BER -65039-032 USED AS ALTERNATES FOR |
| 0010C | | | BER -65039-032 ITEMS 1, 2, & 3. ITEMS 10, 11, & |
| 0010D | | | BER -65039-032 12 CAN ONLY BE USED |
| 0010E | | | BER -65039-032 TOGETHER |
| 0015 | REF | 2265070-0001 | SPEC, PRE-PRINTED CABLE MARKER EA |
| 0101 | 00001.000 | 0994309-5001 | BULK CABLE ASSY MATERIAL FOR -0001 EA 1225-0309-106 |

05/12/84

| PART NUMBER | REV | DESCRIPTION..... | |
|--------------|-----------|------------------------------------|--|
| 0994309-5001 | M | BULK CABLE ASSY MATERIAL FOR -0001 | |
| ITEM. | QUANTITY. | COMPONENT.. | DESCRIPTION..... UM |
| 0002 | 00004.000 | 0972104-0001 | CONTACT ELEC-LOCKING, WIRE-TC.025 SQ PCST EA AMP - 87124-1 |
| 0002A | | | *ITEMS 1, 2, & 3 CAN ONLY BE |
| 0002B | | | AMP - 87124-1 *USED TOGETHER WITH ITEM 1 |
| 0002C | | | AMP - 87124-1 *ON 094309-0001 |
| 0003 | 00001.000 | 0996497-0001 | KEYING PLUG CONNECTOR EA 096236--1 |
| 0004 | 00001.900 | 2210012-3799 | WIRE, WHT, UL 1429, 19X34, 22AWG FT 6145-3200-000 |
| 0005 | 00001.900 | 0935170-3099 | WIRE, UL 1429, 19 STRD, 22AWG, WHT/BLK FT 1650-0000-000 |
| 0006 | 00001.900 | 0935170-3699 | WIRE, UL 1429, 19 STRD, 22AWG, WHT/BLU FT 1650-0000-000 |
| 0007 | 00001.900 | 0935170-3499 | WIRE, UL 1429, 19 STRD, 22AWG, WHT/YEL FT 1650-0000-000 |
| 0008 | 00001.700 | 0972436-0036 | INSUL SLVG, #4 PVC .208 ID .020THK FT 003890-HT-105C-4 |
| 0009 | 00004.000 | 0976673-0010 | TERMINAL, QUICK-CONNECT, 24-20 WIRE SIZE EA SEE TI- DRAWING |
| 0011 | 00000.000 | 0972482-0006 | CONTACT, ELECTRICAL, CRIMP EA BEI - 75691-006 |
| 0012 | 00000.000 | 0800335-0001 | CONNECTOR POLARIZING KEY EA BEI --65307-001 |
| 0014 | 00001.000 | 2210317-0001 | LABEL, BLANK, CABLE MARKER EA 085480-SLPP-19319-4 |

List of Materials

05/12/04

PART NUMBER REV DESCRIPTION.....
 J994310-J001 Y 810 PRINTER CONFIGURATIONS

| ITEM. | QUANTITY. | COMPONENT.. | DESCRIPTION..... | UM |
|-------|-----------|--------------|---|----|
| J001 | REF | 0994292-0001 | 810 PRINTER ASSY,BASIC | EA |
| J001A | | | * (BSC) 1225-1292-000 | |
| J002 | REF | 0994292-0002 | 810 PRINTER ASSY,FORMS LG CONTROL | EA |
| J002A | | | * (FLC) 1225-2292-000 | |
| J003 | REF | 0994292-0003 | 810 PRINTER ASSY,VERTICAL FORMS CONTROL | EA |
| J003A | | | * (VFC) 1225-3292-000 | |
| J004 | REF | 0994292-0004 | 810 PRINTER ASSY,BASIC,9CCPY P/H | EA |
| J004A | | | * (USC) OBSOLETE REPLACE 1225-4292-000 | |
| J004B | | | * WITH 994292-1 1225-4292-000 | |
| J005 | REF | 0994292-0005 | 810 PRINTER ASSY,FORMS LG,9CCPY P/H | EA |
| J005A | | | * (FLC) OBSOLETE REPLACE 1225-5292-000 | |
| J005B | | | * WITH 994292-2 1225-5292-000 | |
| J006 | REF | 0994292-0006 | 810 PRINTER ASSY,VFC,9CCPY P/H | EA |
| J006A | | | * (VFC) OBSOLETE REPLACE 1225-6292-000 | |
| J006B | | | * WITH 994292-3 1225-6292-000 | |
| J007 | REF | 0994292-0007 | 810 PRINTER ASSY,LQ BASIC | EA |
| J007A | | | * (LQP) 1225-7292-000 | |
| J008 | REF | 0994292-0008 | 810 PRINTER ASSY,LQ FORMS LG CONTROL | EA |
| J008A | | | * (LQP) (FLC) 1225-8292-000 | |
| J009 | REF | 0994292-0009 | 810 PRINTER ASSY,LQ VFC | EA |
| J009A | | | * (LQP) (VFC) 1225-9292-000 | |
| J010 | REF | 0994293-0001 | 810 PRINTER ASSY,FORMS LG,COMP. PRINT | EA |
| J010A | | | * (FCO) 1225-1293-000 | |
| J011 | REF | 0994293-0002 | 810 PRINTER ASSY,VFC,COMPRESSED PRINT | EA |
| J011A | | | * (VCO) 1225-2293-000 | |
| J012 | REF | 0994293-0003 | 810 PRINTER ASSY,FL,COMP PRINT,9COPY,P/H | EA |
| J012A | | | * (FCO) OBSOLETE REPLACE 1225-3293-000 | |
| J012B | | | * WITH 994293-1 1225-3293-000 | |
| J013 | REF | 0994293-0004 | 810 PRINTER ASSY,VFC,COMP PRINT,9COPY | EA |
| J013A | | | * (VCO) OBSOLETE REPLACE 1225-4293-000 | |

List of Materials

05/12/84

| PART NUMBER | REV | DESCRIPTION..... | UM | |
|--------------|-----------|----------------------------|---|----|
| 0994310-0001 | Y | 810 PRINTER CONFIGURATIONS | | |
| ITEM. | QUANTITY. | COMPONENT.. | DESCRIPTION..... | UM |
| 0013B | | | * WITH 994293-2 1225-4293-000 | |
| JJ14 | REF | 0994293-0005 | 810 PRINTER ASSY,LQ-FL,COMP. PRINT | EA |
| 0014A | | | * (LQP) (FCO) 1225-5293-000 | |
| JJ15 | REF | 0994293-0006 | 810 PRINTER ASSY,LQ-VFC,COMP PRINT | EA |
| 0015A | | | * LQP) (VCC) 1225-6293-000 | |
| 0016 | REF | 2360013-0001 | 810 RO PRINTER PACKAGE | EA |
| 0016A | | | * (PKG) (VCO) (FUL) 1225-1013-000 | |
| JJ17 | REF | 2360013-0002 | 810 LQ R.O. PACKAGE | EA |
| 0017A | | | * (LQP) (VCO) (PKG) 1225-0000-000 | |
| JJ18 | REF | 2360020-0001 | 810 PRINTER ASSY,REXCN | EA |
| 0018A | | | * (BSC) SPECIAL CUSTOMER 1225-1020-000 | |
| 0018E | | | * COLORS 1225-1020-000 | |
| JJ19 | REF | 2360017-0001 | 810 PRINTER ASSY,TRIAO,FORMS LG,COMP PRT | EA |
| JJ19A | | | * (FCO) SPECIAL CUSTOMER 1225-0017-000 | |
| JJ19E | | | * COLOR 1225-0017-000 | |
| 0020 | REF | 2360038-0001 | 810 PRINTER ASSY,CADC,SPECIAL | EA |
| JJ20A | | | * (VCO) SPECIAL CUSTOMER 1225-0038-000 | |
| 0020E | | | * COLORS 1225-0038-000 | |
| JJ21 | REF | 2360080-0001 | 810 PRINTER,KODAK (KAD389591) | EA |
| 0021A | | | * (FUL) (BSC) CUSTOMER 1225-0080-000 | |
| 0021B | | | * COLORS SPECIAL 1225-0080-000 | |
| JJ22 | REF | 2230488-0004 | 810 PRINTER, ITT COURIER, HILTON | EA |
| 0022A | | | * (ITT) (VFC) SPECIAL 1225-4488-000 | |
| JJ22E | | | * COLORS 1225-4488-000 | |
| 0023 | REF | 2230488-0003 | 810 PRINTER, ITT COURIER, BASIC | EA |
| 0023A | | | * (BSC) SPECIAL CUSTOMER 1225-3488-000 | |
| 0023E | | | * COLORS 1225-3488-000 | |
| JJ24 | REF | 2230488-0002 | SPECIAL ASSY,ISC W/FL-810 | EA |
| 0024A | | | * (FLC) SPECIAL CUSTOMER 1225-2488-000 | |
| 0024E | | | * COLORS 1225-2488-000 | |
| JJ25 | REF | 2230488-0001 | SPECIAL ASSY,ISC-810 | EA |

List of Materials

05/12/84

PART NUMBER REV DESCRIPTION.....
 0994310-0001 Y 810 PRINTER CONFIGURATIONS

| ITEM. | QUANTITY. | COMPONENT.. | DESCRIPTION..... | UM |
|-------|-----------|--------------|---|----|
| 0025A | | | * (BSC) SPECIAL CUSTOMER 1225-1488-000 | |
| 0025B | | | * COLOR 1225-1488-000 | |
| 0026 | REF | 2360000-0001 | DIAGRAM,FAMILY TREE,MODEL 810 PRINTER | EA |
| 0027 | REF | 0994170-9901 | EQUIP SPEC,MULTICOPY R/C FORMS PRINTER | EA |
| 0028 | REF | 0994401-0002 | TI PARALLEL INTERFACE (PLT) | EA |
| 0028A | | | * (PLT) 1225-3401-000 | |
| 0029 | REF | 0994402-0001 | KIT, CURRENT LOOP, I/F (TTY),810 | EA |
| 0029A | | | * (TTY) 1225-1402-000 | |
| 0030 | REF | 0994511-0001 | LINE BUFFER OPTICN-EIA LBE | EA |
| 0030A | | | * (LBE) 0000-0000-000 | |
| 0031 | REF | 0994512-0001 | LINE BUFFER OPTN-CURRENT LOOP LBT | EA |
| 0031A | | | * (LBT) 1225-1512-000 | |
| 0032 | REF | 0994513-0001 | LINE BUFFER OPTION-PARALLEL LBP | EA |
| 0032A | | | * (LBP) 1225-5135-000 | |
| 0033 | REF | 2360091-0001 | FIELD INSTALLATION KIT,810 LTR QUALITY | EA |
| 0033A | | | * (LQP) 1225-9091-000 | |

05/12/84

PART NUMBER REV DESCRIPTION.....
 0994310-0002 Y 810 OPTICNS AND SUBOPTIONS

| ITEM. | QUANTITY. | COMPONENT.. | DESCRIPTION..... | UM |
|-------|-----------|--------------|--|----|
| 0050 | REF | 0994395-0001 | CHAR SET,ENGLISH LTD ASCII W/O VFC | EA |
| 0050A | | | * (UKL) 1225-0395-038 | |
| 0051 | REF | 0994395-0002 | CHAR SET,DAN-NOR LTD ASCII W/O VFC | EA |
| 0051A | | | * (DNL) 1225-2395-000 | |
| 0052 | REF | 0994395-0003 | CHAR SET,SWED-FIN LTD ASCII W/O VFC | EA |
| 0052A | | | * (SWL) 1225-3395-000 | |
| 0053 | REF | 0994395-0004 | CHAR SET,GERMAN LTD ASCII W/O VFC | EA |
| 0053A | | | * (GRL) 1225-4395-000 | |
| 0054 | REF | 0994395-0008 | CHAR SET,EXPANDED LTD ASCII W/O VFC | EA |
| 0054A | | | * (EXP) CANNOT BE USED WITH 1225-8395-000 | |
| 0054B | | | *-0001 & -0002 MECH ASSY 1225-8395-000 | |

List of Materials

J5/12/84

| PART NUMBER | REV | DESCRIPTION..... | UM | |
|--------------|-----------|----------------------------|--|----|
| J994310-0002 | Y | 810 OPTICNS AND SUBOPTICNS | | |
| ITEM. | QUANTITY. | COMPONENT.. | DESCRIPTION..... | UM |
| 0055 | REF | 0994395-0010 | CHAR SET,US FULL ASCII,-1 PRCC | EA |
| 0055A | | | *(FUL)USED WITH 994244-1 1225-1095-000 | |
| 0055B | | | *PROCESSOR ONLY 1225-1095-000 | |
| 0056 | REF | 0994395-0011 | CHAR SET,ENGLISH FULL ASCII W/O VFC | EA |
| 0056A | | | *(UKF) 1225-1195-000 | |
| 0057 | REF | 0994395-0012 | CHAR SET,DAN-NOR FULL ASCII W/O VFC | EA |
| 0057A | | | *(DNF) 1225-1295-000 | |
| 0058 | REF | 0994395-0013 | CHAR SET,SWED-FIN FULL ASCII W/O VFC | EA |
| 0058A | | | *(SWF) 1225-1395-000 | |
| 0059 | REF | 0994395-0014 | CHAR SET,GERMAN FULL ASCII W/O VFC | EA |
| 0059A | | | *(GRF) 1225-1495-000 | |
| 0060 | REF | 0994395-0015 | CHAR SET,KATAKANA W/O VFC | EA |
| 0060A | | | *(KAT) 1225-1595-000 | |
| 0061 | REF | 0994395-0016 | CHAR SET,KATAKANA SPECIAL W/O VFC | EA |
| 0061A | | | *(KTS) 1225-1695-000 | |
| 0062 | REF | 0994395-0017 | CHAR SET,CARS SPECIAL W/O VFC | EA |
| 0062A | | | *(CAR) 1225-1495-000 | |
| 0063 | REF | 0994395-0101 | CHAR SET,ENGLISH LTD ASCII W/VFC | EA |
| 0063A | | | *(UKL) 1225-1015-000 | |
| 0064 | REF | 0994395-0102 | CHAR SET,DAN-NOR LTD ASCII W/VFC | EA |
| 0064A | | | *(DNL) 1225-1025-000 | |
| 0065 | REF | 0994395-0103 | CHAR SET,SWED-FIN LTD ASCII W/VFC | EA |
| 0065A | | | *(SHL) 1225-1035-000 | |
| 0066 | REF | 0994395-0104 | CHAR SET,GERMAN LTD ASCII W/VFC | EA |
| 0066A | | | *(GRL) 1225-1045-000 | |
| 0067 | REF | 0994395-0108 | CHAR SET,EXPANDED LTD ASCII W/VFC | EA |
| 0067A | | | *(EXP)CANNCT BE USED WITH 1225-1085-000 | |
| 0067B | | | *-J001 & -J002 MECH 1225-1085-000 | |
| 0068 | REF | 0994395-0111 | CHAR SET,ENGLISH FULL ASCII W/VFC | EA |
| 0068A | | | *(UKF) 1225-1115-000 | |
| 0069 | REF | 0994395-0112 | CHAR SET,DAN-NOR FULL ASCII W/VFC | EA |

List of Materials

05/12/84

PART NUMBER REV DESCRIPTION.....
 0994210-0002 Y 810 OPTICS AND SUBOPTICS

| ITEM. | QUANTITY. | COMPONENT.. | DESCRIPTION..... | UM |
|-------|-----------|--------------|--|----|
| 0069A | | | *(DNF) 1225-1125-000 | |
| 0070 | REF | 0994395-0113 | CHAR SET, SWED-FIN FULL ASCII W/VFC | EA |
| 0070A | | | *(SWF) 1225-1135-000 | |
| 0071 | REF | 0994395-0114 | CHAR SET, GERMAN FULL ASCII W/VFC | EA |
| 0071A | | | *(GRF) 1225-1145-000 | |
| 0072 | REF | 0994395-0115 | CHAR SET, KATAKANA W/VFC | EA |
| 0072A | | | *(KAT) 1225-1155-000 | |
| 0073 | REF | 0994395-0116 | CHAR SET, KATAKANA SPECIAL W/VFC | EA |
| 0073A | | | *(KTS) 1225-1165-000 | |
| 0074 | REF | 0994395-0117 | CHAR SET, SWEDISH SPECIAL W/VFC | EA |
| 0074A | | | *(SWS) 1225-1175-000 | |
| 0075 | REF | 0994395-0019 | CHAR SET, US FULL ASCII W/D VFC-2P | EA |
| 0075A | | | *(FUL) TO BE USED WITH 1225-1995-000 | |
| 0075B | | | *994244-2 PROCESSOR | |
| 0076 | REF | 0994395-0119 | 1225-1995-000 CHAR SET, US FULL ASCII W/VFC, -2PR | EA |
| 0076A | | | *(FUL) USE -0002 PROCESSOR | |
| 0076B | | | 1225-9995-000 | |
| 0077 | REF | 0994395-0501 | *OR GREATER 1225-9995-000 CHAR SET, AIRLINE FULL ASCII W/D VFC | EA |
| 0077A | | | *(UAL) 1225-5015-000 | |
| 0078 | REF | 2232579-0001 | PROM, CHARACTER SET, UAL - 810 PRINTER | EA |
| 0078A | | | *(UA2) INSTALLS IN U55 ON 0000-0000-000 | |
| 0078B | | | *994244-2 TO BE USED WITH 0000-0000-000 | |
| 0078C | | | *ITEM 79 | |
| 0079 | REF | 2232579-0002 | 0000-0000-000 PROM, PATCH, UAL - 810 PRINTER | EA |
| 0079A | | | *(UA2) INSTALLS IN U67 ON 0000-0000-000 | |
| 0079B | | | *994244-2 TO BE USED WITH 0000-0000-000 | |
| 0079C | | | *ITEM 78 | |
| 0080 | REF | 0994395-0502 | 0000-0000-000 CHAR SET, MED LID MOD FULL ASCII W/VFC | EA |
| 0080A | | | *(LOM) 1225-5025-000 | |
| 0081 | REF | 0994395-0020 | CHARACTER ST KIT, KODAK FULL ASCII | EA |

List of Materials

05/12/84

| PART NUMBER | REV | DESCRIPTION..... | |
|--------------|-----------|----------------------------|---|
| 099431J-0002 | Y | 810 OPTICNS AND SUBOPTIONS | |
| ITEM. | QUANTITY. | COMPONENT.. | DESCRIPTION..... UM |
| 0081A | | | *(KDK) 1225-2095-000 |
| 0082 | REF | 0994395-0023 | CHARACTER ST KIT,SPH F ASC EA |
| 0082A | | | *(SPF) 1225-0000-000 |
| 0083 | REF | 0994395-0024 | CHARACTER ST KIT,SPH TEXT EDIT EA |
| 0083A | | | *(SPT) 1225-0000-000 |
| 0084 | REF | 2230493-0001 | OVERPRINT PROM,ITT COURIER EA |
| 0085 | REF | 2360026-0001 | NDE OPTION EA |
| 0085A | | | *(NDE)PROCESSOR SUBOPTICN |
| 0086 | REF | 2360026-0002 | 1225-0000-000 DNB OPTION EA |
| 0086A | | | *(DNB)PROCESSOR SUBOPTICN |
| 0087 | REF | 2360026-0003 | 1225-0000-000 IRC OPTION EA |
| 0087A | | | *(IRC)PROCESSOR SUBOPTICN |
| 0088 | REF | 2360026-0004 | 1225-0000-000 DCU OPTION EA |
| 0088A | | | *(DCU)PROCESSOR SUBOPTICN |
| 0089 | REF | 2360026-0005 | 1225-0000-000 GED OPTION EA |
| 0089A | | | *(GED)LINE BUFFER SUBOPTICN |
| 0090 | REF | 2360026-0006 | 1225-0000-000 HDP OPTION EA |
| 0090A | | | *(HDP)LINE BUFFER SUBOPTICN |
| 0091 | REF | 2360026-0007 | 1225-0000-000 DSC OPTION EA |
| 0091A | | | *(DSC)LINE BUFFER SUBOPTICN |
| 0092 | REF | 2360026-0008 | 1225-0000-000 DNB OPTION EA |
| 0092A | | | *(DNB)LINE BUFFER SUBOPTICN |
| 0092B | | | 1225-0000-000 *W/ PROCESSOR DNB DISABLED |
| 0093 | REF | 2360026-0009 | 1225-0000-000 IRC OPTION EA |
| 0093A | | | *(IRC)LINE BUFFER SUBOPTICN |
| 0093B | | | 1225-0000-000 *W/PROCESSOR IRC DISABLED |
| 0094 | REF | 2360026-0010 | 1225-0000-000 GDS OPTION EA |
| 0094A | | | *(GDS)LINE BUFFER SUBOPTICN |
| 0095 | REF | 2360026-0011 | 1225-0000-000 ISC OPTION - OBSOLETE EA |
| 0095A | | | *(ISO)NO LCNGER BUILT, 0000- -000 |

List of Materials

05/12/84

PART NUMBER REV DESCRIPTION.....
 0994310-0002 Y 810 OPTICS AND SUBOPTICS

| ITEM. | QUANTITY. | COMPONENT.. | DESCRIPTION..... | UM |
|-------|-----------|--------------|---|----|
| JJ95B | | | *USE ISC 0000- -000 | |
| JJ96 | REF | 2360026-0012 | ISC OPTION | EA |
| JJ96A | | | *(ISC)MOTHERBOARD ISCLATED 1225-1226-000 | |
| JJ96E | | | *GND 1225-1226-000 | |
| J097 | REF | 2360026-0013 | 100V POWER INPUT | EA |
| JJ97A | | | *POWERBOARD ISOLATED GND 1225-0000-000 | |
| 0098 | REF | 2360026-0014 | 220V POWER INPUT | EA |
| JJ98A | | | *POWER MODULE PROGRAMMABLE 1225-0000-000 | |
| JJ98E | | | *CARD 1225-0000-000 | |
| 0099 | REF | 2360026-0015 | 240V POWER INPUT | EA |
| JJ99A | | | *POWER MODULE PROGRAMMABLE 1225-0000-000 | |
| J099E | | | *CARD 1225-0000-000 | |
| J100 | REF | 0994445-0001 | BAUD RATE OPTION | EA |

05/12/84

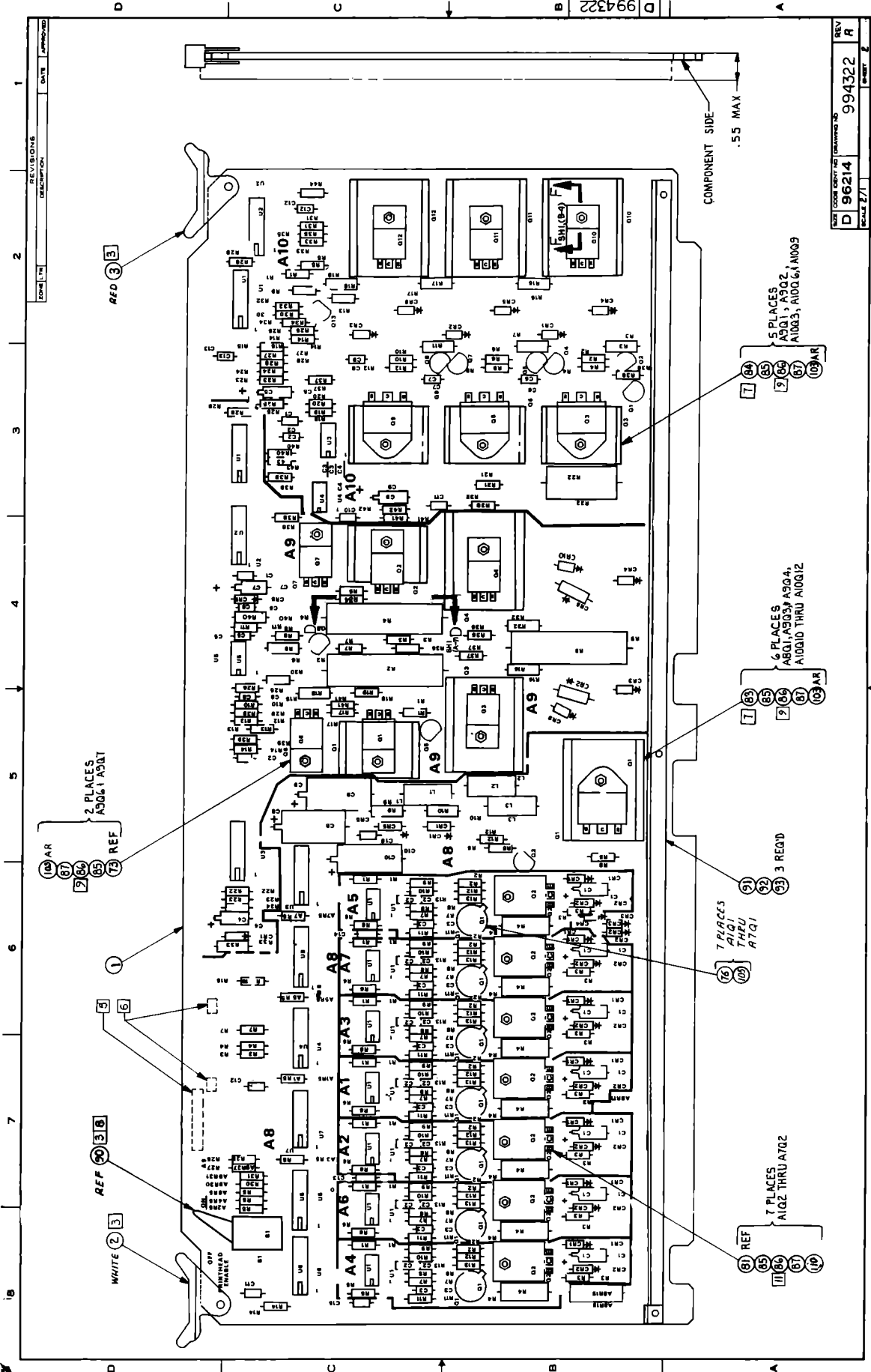
PART NUMBER REV DESCRIPTION.....
 0994310-0003 Y 810 PRINTER ACCESSORIES

| ITEM. | QUANTITY. | COMPONENT.. | DESCRIPTION..... | UM |
|-------|-----------|--------------|---|----|
| J150 | 0000.000 | 0993241-0002 | RIIBUN, BLACK, 40 YARD-SIX PACK 000494-116-2801-1635 | PK |
| J151 | REF | 0994440-0001 | PAPER BASKET KIT, STAND | EA |
| J152 | REF | 0994509-0001 | TEAR BAR OPT., 100 CCL., 810 (FACTORY) | EA |
| J153 | REF | 0993204-0001 | CABLE ASSY, 103/113 DATA SET | EA |
| J154 | REF | 0993205-0001 | CABLE ASSY, 202/212 DATA SET | EA |
| J155 | REF | 0993210-0001 | CABLE ASSY, DATA TERMINAL | EA |
| J156 | REF | 0969626-0001 | CABLE ASSY EIA-742 | EA |
| J157 | REF | 0959372-0001 | CABLE ASSY, EIA 300 BAUD I/F | EA |
| J158 | REF | 0983848-0001 | CABLE ASSY, EIA 103A INTERFACE | EA |
| J159 | REF | 0975058-0010 | CABLE ASSY, EXTN, EIA LINE PRINTER, 10FT | EA |
| J160 | REF | 0975056-0020 | CABLE ASSY, EXTN, EIA LINE PRINTER, 20FT | EA |
| J161 | REF | 0994403-0001 | CABLE ASSY, CURRENT LOCP | EA |
| J162 | REF | 0414127-0001 | CONNECTOR, PLUG-36 CONTACTS | EA |

List of Materials

05/12/84

| PART NUMBER | | REV | DESCRIPTION..... | | |
|--------------|-----------|--------------|--|----|--|
| J99431J-00J3 | | Y | 810 PRINTER ACCESSORIES | | |
| ITEM. | QUANTITY. | COMPONENT.. | DESCRIPTION..... | UM | |
| J162A | | | *PARALLEL I/F PLUG | | |
| J163 | REF | 0993211-0001 | CABLE ASSY,EIA EXTENSION | EA | |
| J164 | REF | 0994399-0001 | EXTENDER | EA | |
| J165 | REF | 0973265-0001 | CABLE ASSY,AUX EIA I/F - 742 | EA | |
| J166 | REF | 0994535-0001 | CONTAINER,SHIPPING,810 IMPACT PRINTER | EA | |
| J167 | REF | 0994386-97J1 | MANUAL,MAINTENANCE,810 PRINTER,VOLUME I | EA | |
| J168 | REF | 0994353-97J1 | OPERATORS MANUAL,810 PRINTER | EA | |
| J169 | REF | 0997000-99J1 | PRODUCT INDEX,MC-810 TEST EQUIPMENT | EA | |
| J170 | REF | 0994436-9901 | INDEX,810 PRINTER SHIPPING CONTAINER | EA | |
| J171 | JJJJJ.000 | 0999841-0001 | GMNI 800 TERMINAL STAND 1225-0000-000 | EA | |
| J172 | REF | 0999839-0001 | PAPER BASKET-STAND MOUNTED | EA | |
| J173 | REF | 0999841-0002 | TERMINAL STAND-GMNI 800,INFOREX SPECIAL | EA | |
| J174 | REF | 0999841-0003 | KIT,TERMINAL STAND,REXCN SPECIAL | EA | |
| J175 | REF | 0999841-0004 | KIT,TERMINAL STAND,ISC SPECIAL | EA | |
| J176 | REF | 2360007-0001 | ACCESS DOOR KIT,810 PC PRINTER | EA | |



| REV | DATE | DESCRIPTION |
|-----|------|-------------|
| | | |

DRAWING NO: D 96214
 REV: R
 DATE: 994322
 SHEET: 2 OF 2

2 PLACES
A3G6, 1 A3J1T

18 AR
 81
 2 86
 85
 75 REF

1

REF 38

WHITE 2 3

5 PLACES
 A5O1, A5Q2,
 A10G3, A10G6, A10G9

7
 84
 85
 2 86
 87
 103 AR

6 PLACES
 A8G1, A8G3, A8Q4,
 A10G10 THRU A10G12

7
 82
 85
 2 86
 87
 103 AR

3 REQD
 91
 92
 93

7 PLACES
 A1Q1
 THRU
 A1Q7

76
 109

7 PLACES
 A1Q2 THRU A1Q8

REF
 81
 85
 11 86
 87
 110

COMPONENT SIDE
.55 MAX

LIST OF MATERIALS

07/25/81

| PART NUMBER | REV | DESCRIPTION..... | | |
|--------------|-----------|----------------------------|--|----|
| 0994322-0001 | R | DRIVER,PRINTHEAD AND MOTOR | | |
| ITEM. | QUANTITY. | COMPONENT.. | DESCRIPTION..... | UM |
| 0002 | 00001.000 | 0413277-0001 | EJECTOR,PCB,NON-LOCKING,WHITE SCA -S-200(NATURAL) | EA |
| 0003 | 00001.000 | 0413277-0015 | EJECTOR,PCB,NON-LOCKING,C.RED SCA -S-200(C.RED) | EA |
| 0015 | 00001.000 | 0996272-0001 | RESISTOR,FIX .2 OHMS,NON-INDUCTIVE 1% 5W REI - NT-5 | EA |
| 0015A | | | A10R22 REI - NT-5 | |
| 0016 | 00007.000 | 0996274-0001 | RES.FIXED 0.2 OHM,NON-INDUCTIVE 1% 0.4W REI - NT-1/2A | EA |
| 0016A | | | A1R11, A2R11, A3R11, A4R11, REI - NT-1/2A | |
| 0016B | | | A5R11, A6R11, A7R11 REI - NT-1/2A | |
| 0017 | 00001.000 | 0996297-0001 | RES FIXED .25 OHMS .25% RCL - NT-7 | EA |
| 0017A | | | A9R9 RCL - NT-7 | |
| 0018 | 00002.000 | 0996297-0002 | RES FIXED 80 OHMS 1% RCL - NT-7 | EA |
| 0018A | | | A9R2, A9R4 RCL - NT-7 | |
| 0019 | 00007.000 | 0996283-0001 | RESISTOR,FIXED 220 OHMS 1% 3 WATT REI - T-2B-79 | EA |
| 0019A | | | A1R4, A2R4, A3R4, A4R4, REI - T-2B-79 | |
| 0019B | | | A5R4, A6R4, A7R4 REI - T-2B-79 | |
| 0022 | 00001.000 | 0972947-0055 | RES FIX 390 OHM 5% .5 W CARBON FILM ROH - R-50 | EA |
| 0022A | | | A10R18 ROH - R-50 | |
| 0057 | 00010.000 | 0996281-0002 | RECTIFIER,SILICON,FAST RECOVERY 100V 014099-SS3889 | EA |
| 0057A | | | A9CR3 A9CR4 A9CR9 A9CR10 014099-SS3889 | |
| 0057B | | | A10CR1 A10CR2 A10CR3 014099-SS3889 | |
| 0057C | | | A10CR4 A10CR5 A10CR6 014099-SS3889 | |
| 0058 | 00002.000 | 0996280-0001 | DIODE UCP3001 RECTIFIER 3 AMP | EA |
| 0058A | | | A9CR2, A9CR6 | |
| 0061 | 00001.000 | 0539468-0002 | DIODE,IN4002 1AMP 100PIV RECTIFIER TI - IN4002 | EA |
| 0061A | | | A8CR4 TI - IN4002 | |
| 0065 | 00001.000 | 0972929-0361 | CAP FIX CERAMIC 10.0 PF 10 % 200 V QPL -M39014/01-1361 | EA |
| 0065A | | | A10C3 QPL -M39014/01-1361 | |
| 0066 | 00001.000 | 0972929-0382 | CAP 150 PF 10% 200V FXD CER STYLE CKR05 MIL -C-39014/1C-138 | EA |
| 0066A | | | A10C4 MIL -C-39014/1C-138 | |

LIST OF MATERIALS

07/25/81

PART NUMBER REV DESCRIPTION.....
 0994322-0001 R DRIVER, PRINthead AND MOTOR

| ITEM. | QUANTITY. | COMPONENT.. | DESCRIPTION..... | UM |
|-------|-----------|--------------|---|----|
| 0067 | 00007.000 | 0972929-0396 | CAP FIX CERAMIC 820 PF 10 & 200 V | EA |
| 0067A | | | QPL -M39014/01-1396 | |
| | | | A1C2, A2C2, A3C2, A4C2, | |
| 0067B | | | QPL -M39014/01-1396 | |
| | | | A5C2, A6C2, A7C2 | |
| 0070 | 00002.000 | 0972924-0012 | CAP FIX TANT SOLID 150 MFD 10 & 15 VOLT | EA |
| 0070A | | | QPL -M39003/1-2277 | |
| | | | A8C9, A8C10 | |
| 0071 | 00001.000 | 0972924-0008 | CAP FIX TANT SOLID 220 MFD 10 & 10 VOLT | EA |
| 0071A | | | QPL -M39003/1-2265 | |
| | | | A8C8 | |
| 0072 | 00003.000 | 0958760-0004 | TRANSISTOR TIP33C POWER NPN | EA |
| 0072A | | | 001295-TIP33C | |
| | | | A10Q3 A10Q6 A10Q9 | |
| 0073 | 00002.000 | 0772113-0004 | TRANSISTOR TIP29C | EA |
| 0073A | | | TI -TIP29C | |
| | | | A9Q6, A9Q7 | |
| 0074 | 00002.000 | 0772114-0004 | TRANSISTOR TIP32C | EA |
| 0074A | | | TI -TIP32C | |
| | | | A9Q1, A9Q2 | |
| 0075 | 00001.000 | 0996278-0001 | TRANSISTOR, EP2386 DARLINGTON NPN | EA |
| 0075A | | | TI -EP2386 | |
| | | | A8Q1 | |
| 0076 | 00007.000 | 0996298-0001 | TRANSISTOR, SGD2162 PNP SWITCHING | EA |
| 0076A | | | TI -SGD2162 | |
| | | | A1Q1, A2Q1, A3Q1, A4Q1, | |
| 0076B | | | TI -SGD2162 | |
| | | | A5Q1, A6Q1, A7Q1 | |
| 0077 | 00005.000 | 0972572-0003 | TRANSISTOR, TIP122 SILICON NPN DARLINGTON | EA |
| 0077A | | | TI -TIP122 | |
| | | | A9Q3, A9Q4, A10Q10, A10Q11, | |
| 0077B | | | TI -TIP122 | |
| | | | A10Q12 | |
| 0078 | 00003.000 | 0996337-0001 | XST A5T2243 | EA |
| 0078A | | | TI -A5T2243 | |
| | | | A10Q1, A10Q4, A10Q7 | |
| 0079 | 00002.000 | 0800523-0001 | TRANSISTOR A5T2907 PNP SILICON | EA |
| 0079A | | | TI- -A5T2907 | |
| | | | A9Q5, A9Q8 | |
| 0080 | 00005.000 | 0972455-0004 | TRANSISTOR, SILICON-P-N-P, A5T4029 | EA |
| | | | TI -A5T4029 | |

LIST OF MATERIALS

07/25/81

| PART NUMBER | REV | DESCRIPTION..... | |
|--------------|-----------|----------------------------|--|
| 0994322-0001 | R | DRIVER,PRINTHEAD AND MOTOR | |
| ITEM. | QUANTITY. | COMPONENT.. | DESCRIPTION..... UM |
| 0080A | | | A8Q2, A10Q2, A10Q5, A10Q8, TI -A5T4029 |
| 0080B | | | A10Q13 TI -A5T4029 |
| 0081 | 00007.000 | 0996284-0001 | TRANSISTOR,2N6497 PWR SILICON NPN EA MOT -2N6497 |
| 0081A | | | A1Q2, A2Q2, A3Q2, A4Q2, MOT -2N6497 |
| 0081B | | | A5Q2, A6Q2, A7Q2 MOT -2N6497 |
| 0083 | 00006.000 | 0996285-0002 | HEATSINK,TRANSISTOR EA 013103-61068-14 |
| 0084 | 00005.000 | 0996285-0001 | HEATSINK,TRANSISTOR EA 013103-61078-14 |
| 0085 | 00020.000 | 0972355-0003 | STUD,CLINCH,.375 LONG,BRONZE EA 046384-KFH-440-6 |
| 0086 | 00020.000 | 0416453-0021 | NUT,PLAIN,4-40 UNC-2B HEX,CRES,SMALL EA QPL - NAS671-C4 |
| 0087 | 00020.000 | 0411100-0070 | LOCKWASHER #4 INTERNAL TOOTH CRES EA QPL - MS35333-70 |
| 0088 | REF | 0994320-9901 | DIAGRAM,LOGIC,DRIVER EA |
| 0090 | 00001.000 | 0996345-0001 | SWITCH,TOGGLE,PCB 2 CIRCUIT EA COS - T8201 |
| 0090A | | | S1 COS - T8201 |
| 0091 | 00001.000 | 0945239-0001 | BRACKET-STIFFENER, PWB, 14IN EA 1679-0239-035 |
| 0092 | 00001.000 | 0966486-0001 | INSULATOR PWB STIFFENER EA 1679-0486-000 |
| 0093 | 00003.000 | 0972684-0002 | SCREW,THD FRMG,HEX WSHR HD,2-56X1/4 LG EA |
| 0095 | 00001.000 | 0972929-0391 | CAP FIX CERAMIC 470 PF 10 % 200 V EA QPL -M39014/01-1391 |
| 0095A | | | A10C10 QPL -M39014/01-1391 |
| 0097 | 00001.000 | 0996283-0002 | RES FIXED 5.6K 5% 3W EA RCL - T-2B-79 |
| 0097A | | | A8R15 RCL - T-2B-79 |
| 0100 | 00007.000 | 0996281-0004 | RECTIFIER,SILICON,FAST RECOVERY 200V EA 014099-UES 1104 |
| 0100A | | | A1CR2 A2CR2 A3CR2 A4CR2 014099-UES 1104 |
| 0100B | | | A5CR2 A6CR2 A7CR2 014099-UES 1104 |
| 0101 | REF | 0983412-9901 | REVISION LEVEL STATUS,MC810/ATS EA |
| 0102 | REF | 0994396-9901 | PROCEDURE,SITE & DATE CODE SERIALIZATION EA |
| 0103 | AR | 0415886-0003 | GREASE,SILICONE,HEAT COND. TU COR - DC 340 |
| 0105 | 00007.000 | 0184262-0001 | PAD,MOUNTING,TO-5, 4 LEAD,RED EA THR - 7717-5 |
| 0109 | 00001.000 | 0994322-5001 | AUTO-INSERTED PARTS LIST FOR 994322-0001 EA 1225-5322-000 |
| 0110 | 00007.000 | 0996521-0010 | INSULATOR, .147DIA .750LG .500W EA 055285-7403-09FR-54 |
| 9999 | 00002.000 | 0239999-9999 | COST, SHRINKAGE EA |

LIST OF MATERIALS

07/25/81

PART NUMBER REV DESCRIPTION.....
0994322-5001 R AUTO-INSERTED PARTS LIST FOR 994322-0001

| ITEM. | QUANTITY. | COMPONENT.. | DESCRIPTION..... | UM |
|-------|-----------|--------------|---|----|
| 0001 | 00001.000 | 0994321-0001 | PWB, DRIVER | EA |
| 0002 | 00002.000 | 0972947-0043 | RES FIX 120 OHM 5% .5 W CARBON FILM | EA |
| 0002A | | | ROH - R-50 A9R6 A9R18 ROH - R-50 | |
| 0003 | 00005.000 | 0972947-0055 | RES FIX 390 OHM 5% .5 W CARBON FILM | EA |
| 0003A | | | ROH - R-50 A9R16 A9R32 A10R16 A10R17 ROH - R-50 | |
| 0003B | | | A8R9 ROH - R-50 | |
| 0004 | 00003.000 | 0972947-0061 | RES FIX 680 OHM 5% .5 W CARBON FILM | EA |
| 0004A | | | ROH - R-50 A10R3 A10R7 A10R11 ROH - R-50 | |
| 0005 | 00011.000 | 0972946-0027 | RES FIX 27.0 OHM 5% .25 W. CARBON FILM | EA |
| 0005A | | | ROH - R-25 A1R3 A2R3 A3R3 A4R3 A5R3 ROH - R-25 | |
| 0005B | | | A6R3 A7R3 A9R1 A9R3 A9R5 ROH - R-25 | |
| 0005C | | | A9R17 ROH - R-25 | |
| 0006 | 00003.000 | 0972946-0017 | RES FIX 10.0 OHM 5% .25 W. CARBON FILM | EA |
| 0006A | | | ROH - R-25 A10R4 A10R8 A10R12 ROH - R-25 | |
| 0007 | 00001.000 | 0972946-0035 | RES FIX 56.0 OHM 5% .25 W. CARBON FILM | EA |
| 0007A | | | ROH - R-25 A10R14 ROH - R-25 | |
| 0008 | 00002.000 | 0972946-0038 | RES FIX 75.0 OHM 5% .25 W. CARBON FILM | EA |
| 0008A | | | ROH - R-25 A9R7 A9R19 ROH - R-25 | |
| 0009 | 00001.000 | 0972946-0039 | RES FIX 82.0 OHMS 5% .25 W CARBON FILM | EA |
| 0009A | | | ROH - R-25 A10R13 ROH - R-25 | |
| 0010 | 00002.000 | 0972947-0051 | RES FIX 270 OHM 5% .5 W CARBON FILM | EA |
| 0010A | | | ROH - R-50 A8R10 A9R33 ROH - R-50 | |
| 0011 | 00002.000 | 0972946-0041 | RES FIX 100 OHM 5% .25 W CARBON FILM | EA |
| 0011A | | | ROH - R-25 A8R5 A10R44 ROH - R-25 | |
| 0012 | 00003.000 | 0972946-0045 | RES FIX 150 OHM 5% .25 W CARBON FILM | EA |
| 0012A | | | ROH - R-25 A10R2 A10R6 A10R10 ROH - R-25 | |
| 0013 | 00001.000 | 0972946-0052 | RES FIX 300 OHM 5% .25 W CARBON FILM | EA |
| 0013A | | | ROH - R-25 A10R39 ROH - R-25 | |
| 0014 | 00007.000 | 0972946-0051 | RES FIX 270 OHM 5% .25 W CARBON FILM | EA |
| 0014A | | | ROH - R-25 A1R1 A2R1 A3R1 A4R1 A5R1 ROH - R-25 | |
| 0014B | | | A6R1 A7R1 ROH - R-25 | |

LIST OF MATERIALS

07/25/81

PART NUMBER REV DESCRIPTION.....
 0994322-5001 R AUTO-INSERTED PARTS LIST FOR 994322-0001

| ITEM. | QUANTITY. | COMPONENT.. | DESCRIPTION..... | UM |
|-------|-----------|--------------|---|----|
| 0015 | 00002.000 | 0972946-0053 | RES FIX 330 OHM 5 % .25 W CARBON FILM ROH - R-25 | EA |
| 0015A | | | A9R8 A9R20 ROH - R-25 | |
| 0016 | 00004.000 | 0972946-0057 | RES FIX 470 OHM 5 % .25 W CARBON FILM ROH - R-25 | EA |
| 0016A | | | A10R1 A10R5 A10R9 A10R43 ROH - R-25 | |
| 0017 | 00001.000 | 0972946-0059 | RES FIX 560 OHM 5 % .25 W CARBON FILM ROH - R-25 | EA |
| 0017A | | | A10R15 ROH - R-25 | |
| 0018 | 00008.000 | 0972946-0061 | RES FIX 680 OHM 5 % .25 W CARBON FILM ROH - R-25 | EA |
| 0018A | | | A1R2 A2R2 A3R2 A4R2 A5R2 ROH - R-25 | |
| 0018B | | | A6R2 A7R2 A8R7 ROH - R-25 | |
| 0019 | 00032.000 | 0972946-0065 | RES FIX 1.0K OHM 5% .25 W CARBON FILM ROH - R-25 | EA |
| 0019A | | | A1R5 A1R8 A2R5 A2R8 A3R5 ROH - R-25 | |
| 0019B | | | A3R8 A4R5 A4R8 A5R5 A5R8 ROH - R-25 | |
| 0019C | | | A6R5 A6R8 A7R5 A7R8 A8R3 ROH - R-25 | |
| 0019D | | | A8R4 A8R8 A8R14 A9R11 A9R24 ROH - R-25 | |
| 0019E | | | A9R25 A9R27 A9R28 A9R30 ROH - R-25 | |
| 0019F | | | A9R31 A10R26 A10R28 A10R30 ROH - R-25 | |
| 0019G | | | A10R31 A10R32 A10R33 A10R34 ROH - R-25 | |
| 0020 | 00002.000 | 0539370-0427 | RES FIX FILM 2.74K OHM 1% .25 WATT COR - NA55 | EA |
| 0020A | | | A10R20 A10R21 COR - NA55 | |
| 0021 | 00007.000 | 0539370-0481 | RES FIX FILM 10.0K OHM 1% .25 WATT COR -NA55D-100PPM/C | EA |
| 0021A | | | A1R9 A2R9 A3R9 A4R9 A5R9 COR -NA55D-100PPM/C | |
| 0021B | | | A6R9 A7R9 COR -NA55D-100PPM/C | |
| 0022 | 00002.000 | 0972946-0093 | RES FIX 15K OHM 5% .25 W CARBON FILM ROH - R-25 | EA |
| 0022A | | | A10R27 A10R29 ROH - R-25 | |
| 0023 | 00028.000 | 0972946-0089 | RES FIX 10K OHM 5% .25 W CARBON FILM 1640-2132-000 | EA |
| 0023A | | | A1R12 A1R13 A2R12 A2R13 1640-2132-000 | |
| 0023B | | | A3R12 A3R13 A4R12 A4R13 1640-2132-000 | |
| 0023C | | | A5R12 A5R13 A6R12 A6R13 1640-2132-000 | |
| 0023D | | | A7R12 A7R13 A8R11 A9R41 1640-2132-000 | |
| 0023E | | | A9R34 A9R35 A9R36 A9R37 1640-2132-000 | |

LIST OF MATERIALS

07/25/81

PART NUMBER REV DESCRIPTION.....
 0994322-5001 R AUTO-INSERTED PARTS LIST FOR 994322-0001

| ITEM. | QUANTITY. | COMPONENT.. | DESCRIPTION..... | UM |
|-------|-----------|--------------|---|----|
| 0023F | | | A9R38 A9R39 A10R35 A10R36 1640-2132-000 | |
| 0023G | | | A10R37 A10R38 A10R41 A10R42 1640-2132-000 | |
| 0024 | 00002.000 | 0539370-0510 | RES FIX FILM 20.0K OHM 1% .25 WATT COR -NA55D-100PPM/C | EA |
| 0024A | | | A9R10 A9R26 COR -NA55D-100PPM/C | |
| 0025 | 00001.000 | 0539370-0637 | RES FIXED FILM 422K OHMS 1% .25 WATT COR - NA55 | EA |
| 0025A | | | A9R12 COR - NA55 | |
| 0026 | 00001.000 | 0539812-0055 | RES, FIXED 4.10K .1% MF 1/8W | EA |
| 0026A | | | A9R22 | |
| 0027 | 00002.000 | 0539812-0045 | RES, FIXED 4.99K .1% MF 1/8W | EA |
| 0027A | | | A9R13 A9R23 | |
| 0028 | 00007.000 | 0972946-0129 | RES FIX 470K OHM 5 % .25 W CARBON FILM ROH - R-25 | EA |
| 0028A | | | A1R7 A2R7 A3R7 A4R7 A5R7 ROH - R-25 | |
| 0028B | | | A6R7 A7R7 ROH - R-25 | |
| 0029 | 00001.000 | 0539812-0056 | RES, FIXED 30.7K .1% MF 1/8W | EA |
| 0029A | | | A9R14 | |
| 0030 | 00001.000 | 0539370-0448 | RES FIX FILM 4.53K OHM 1% .25 WATT COR - NA55 | EA |
| 0030A | | | A10R23 COR - NA55 | |
| 0031 | 00001.000 | 0539370-0347 | RES FIX FILM 402 OHM 1% .25 WATT COR - NA55 | EA |
| 0031A | | | A10R24 COR - NA55 | |
| 0032 | 00001.000 | 0539370-0318 | RES FIX FILM 200 OHM 1% .25 WATT COR - NA55 | EA |
| 0032A | | | A10R25 COR - NA55 | |
| 0033 | 00001.000 | 0539370-0531 | RES FIX FILM 33.2K OHM 1% .25 WATT COR - NA55 | EA |
| 0033A | | | A9R29 COR - NA55 | |
| 0034 | 00007.000 | 0539370-0361 | RES FIX FILM 562 OHM 1% .25 WATT COR - NA55 | EA |
| 0034A | | | A1R10 A2R10 A3R10 A4R10 COR - NA55 | |
| 0034B | | | A5R10 A6R10 A7R10 COR - NA55 | |
| 0035 | 00001.000 | 0539370-0627 | RES FIX FILM 332K OHM 1% .25 WATT | EA |
| 0035A | | | A10R19 | |
| 0036 | 00007.000 | 0972268-0003 | DIODE IN4935 1 AMP SEE - T1 DRAWING | EA |

LIST OF MATERIALS

07/25/81

PART NUMBER REV DESCRIPTION.....
 0994322-5001 R AUTO-INSERTED PARTS LIST FOR 994322-0001

| ITEM. | QUANTITY. | COMPONENT.. | DESCRIPTION..... | UM |
|-------|-----------|--------------|---|----|
| 0036A | | | A1CR1 A2CR1 A3CR1 A4CR1 SEE - TI DRAWING | |
| 0036B | | | A5CR1 A6CR1 A7CR1 SEE - TI DRAWING | |
| 0037 | 00001.000 | 0972934-0007 | DIODE,IN752A 5.6 V 5% SIL VOLT REG QPL - IN752A | EA |
| 0037A | | | A8CR1 QPL - IN752A | |
| 0038 | 00001.000 | 0972932-0001 | DIODE IN914B SEE TI- DRAWING | EA |
| 0038A | | | A9CR5 SEE TI- DRAWING | |
| 0039 | 00003.000 | 0539468-0002 | DIODE,IN4002 1AMP 100PIV RECTIFIER TI - IN4002 | EA |
| 0039A | | | A8CR2 A8CR3 A8CR5 TI - IN4002 | |
| 0040 | 00001.000 | 0972460-0006 | DIODE E7918,SILICON,ZENER-1% 075222-E7918 | EA |
| 0040A | | | A9CR1 075222-E7918 | |
| 0041 | 00001.000 | 0972763-0013 | CAP,FIXED .010UF 50 VOLTS 004222-MC105E103Z | EA |
| 0041A | | | A10C11 UC -C53D1037 | |
| 0042 | 00021.000 | 0972763-0025 | CAPACITOR,.10UF 50V FX,CERAMIC DIEI COR CA-C03Z5U104Z050A | EA |
| 0042A | | | A1C3 A2C3 A3C3 A4C3 A5C3 UC -C53D104Z | |
| 0042B | | | A6C3 A7C3 A8C11 A8C12 A9C1 UC -C53D104Z | |
| 0042C | | | A9C2 A9C5 A9C6 A10C1 A10C2 UC -C53D104Z | |
| 0042D | | | A10C12 A10C13 A8C13 A8C14 UC -C53D104Z | |
| 0042E | | | A8C15 A8C16 UC -C53D104Z | |
| 0043 | 00002.000 | 0972924-0017 | CAP FIX TANT SOLID 1.0 MFD 10 % 35 VOLT SPR -150D105X9035A | EA |
| 0043A | | | A9C4 A10C5 SPR -150D105X9035A | |
| 0044 | 00008.000 | 0972924-0001 | CAP FIX TANT SOLID 6.8 MFD 10 % 6 VOLT QPL -M39003/1-2242 | EA |
| 0044A | | | A1C1 A2C1 A3C1 A4C1 A5C1 QPL -M39003/1-2242 | |
| 0044B | | | A6C1 A7C1 A9C7 QPL -M39003/1-2242 | |
| 0045 | 00003.000 | 0538428-0001 | COIL RF 5.60 UH .32 OHM 495 MA LT10K128 QPL - MS14046-01 | EA |
| 0045A | | | A8L1 A8L2 A8L3 QPL - MS14046-01 | |
| 0046 | 00001.000 | 0972946-0073 | RES FIX 2.2K OHM 5 % .25 W CARBON FILM ROH - R-25 | EA |
| 0046A | | | A8R12 ROH - R-25 | |
| 0047 | 00001.000 | 0418356-2350 | CAP.FXD 0.47UF,50V,10% TANTALUM SOLI QPL -M39003/1-2350 | EA |
| 0047A | | | A10C9 QPL -M39003/1-2350 | |

LIST OF MATERIALS

07/25/81

PART NUMBER REV DESCRIPTION.....
 0994322-5001 R AUTO-INSERTED PARTS LIST FOR 994322-0001

| ITEM. | QUANTITY. | COMPONENT.. | DESCRIPTION..... | UM |
|-------|-----------|--------------|--|----|
| 0048 | 00001.000 | 0972946-0110 | RES FIX 75 K OHM 5 % .25 W CARBON FILM ROH - R-25 | EA |
| 0048A | | | A10R40 | |
| 0049 | 00007.000 | 0972946-0081 | RES FIX 4.7K OHM 5 % .25 W CARBON FILM ROH - R-25 | EA |
| 0049A | | | A1R6 A2R6 A3R6 A4R6 A5R6 | |
| 0049B | | | ROH - R-25 A6R6 A7R6 | |
| 0050 | 00001.000 | 0972757-0003 | CAP, FIXED CERAMIC 150 PF 10% 50V UC -C51C151K | EA |
| 0050A | | | A9C8 UC -C51C151K | |
| 0051 | 00003.000 | 0972758-0025 | CAP, FIXED .01 UF 100 WVDC 10% UC -C51A103K | EA |
| 0051A | | | A10C6 A10C7 A10C8 UC -C51A103K | |
| 0052 | 00001.000 | 0972946-0001 | RESISTOR, FIXED 2.2 OHM 1/4 W 5% SEE - TI DRAWING | EA |
| 0052A | | | A8R16 | |
| 0053 | 00001.000 | 0972947-0059 | RES FIX 560 OHM 5% .5 W CARBON FILM ROH - R-50 | EA |
| 0053A | | | A9R40 | |
| 0054 | 00001.000 | 0972999-4016 | X NETWORK 4016 -SEE TI DRAWING | EA |
| 0054A | | | A9U3 | |
| 0055 | 00001.000 | 0222222-7407 | NETWORK-SN7407N TI- -SN7407N | EA |
| 0055A | | | A9U2 | |
| 0056 | 00003.000 | 0222222-7406 | TI- -SN7407N NETWORK SN7406N | EA |
| 0056A | | | A8U4, A8U5, A10U1 | |
| 0057 | 00001.000 | 0222222-7430 | NETWORK SN7430N -SN7430N | EA |
| 0057A | | | A8U3 | |
| 0058 | 00001.000 | 0222222-7410 | NETWORK SN7410N - 3-000 | EA |
| 0058A | | | A9U1 | |
| 0059 | 00003.000 | 0222222-7427 | NETWORK SN7427N TI- -SN7427N | EA |
| 0059A | | | A8U6, A8U7, A8U8 TI- -SN7427N | |

LIST OF MATERIALS

07/25/81

PART NUMBER REV DESCRIPTION.....
 0994322-5001 R AUTO-INSERTED PARTS LIST FOR 994322-0001

| ITEM. | QUANTITY. | COMPONENT.. | DESCRIPTION..... | UM |
|-------|-----------|--------------|---|----|
| 0060 | 00001.000 | 0222222-7438 | NETWORK SN7438N | EA |
| 0060A | | | A10U2 | |
| 0061 | 00009.000 | 0222225-2311 | NETWORK LM311N,SN72311P | EA |
| 0061A | | | SEE - TI DRAWING A1U1,A2U1,A3U1,A4U1,A5U1, | |
| 0061B | | | SEE - TI DRAWING A6U1,A7U1,A9U5,A10U3 | |
| 0062 | 00001.000 | 0972188-0001 | NETWORK,NE555V,MONOLITHIC TIMING,LINFA | EA |
| 0062A | | | ST -NE555V A10U4 ST -NE555V | |

07/15/81

PART NUMBER REV DESCRIPTION.....
 0994322-8J01 * DRIVER,PRINthead & MOTOR

| ITEM. | QUANTITY. | COMPONENT.. | DESCRIPTION..... | UM |
|-------|-----------|--------------|---|----|
| 0001 | 00001.000 | 0994322-0001 | DRIVER,PRINthead AND MOTOR 1225-1322-000 | EA |

NOTES UNLESS OTHERWISE SPECIFIED

| NO | REV | DESCRIPTION | DATE | APPROVED |
|----|-----|-------------|------|----------|
| AD | 001 | REVISIONS | | |
| AE | 001 | REVISIONS | | |
| AF | 001 | REVISIONS | | |
| AG | 001 | REVISIONS | | |
| AH | 001 | REVISIONS | | |
| AI | 001 | REVISIONS | | |
| AJ | 001 | REVISIONS | | |
| AK | 001 | REVISIONS | | |
| AL | 001 | REVISIONS | | |
| AM | 001 | REVISIONS | | |
| AN | 001 | REVISIONS | | |
| AO | 001 | REVISIONS | | |
| AP | 001 | REVISIONS | | |
| AQ | 001 | REVISIONS | | |
| AR | 001 | REVISIONS | | |
| AS | 001 | REVISIONS | | |
| AT | 001 | REVISIONS | | |
| AU | 001 | REVISIONS | | |
| AV | 001 | REVISIONS | | |
| AW | 001 | REVISIONS | | |
| AX | 001 | REVISIONS | | |
| AY | 001 | REVISIONS | | |
| AZ | 001 | REVISIONS | | |
| BA | 001 | REVISIONS | | |
| BB | 001 | REVISIONS | | |
| BC | 001 | REVISIONS | | |
| BD | 001 | REVISIONS | | |
| BE | 001 | REVISIONS | | |

| NO | REV | DESCRIPTION | DATE | APPROVED |
|----|-----|-------------|------|----------|
| BF | 001 | REVISIONS | | |
| BG | 001 | REVISIONS | | |
| BH | 001 | REVISIONS | | |
| BI | 001 | REVISIONS | | |
| BJ | 001 | REVISIONS | | |
| BK | 001 | REVISIONS | | |
| BL | 001 | REVISIONS | | |
| BM | 001 | REVISIONS | | |
| BN | 001 | REVISIONS | | |
| BO | 001 | REVISIONS | | |
| BP | 001 | REVISIONS | | |
| BQ | 001 | REVISIONS | | |
| BR | 001 | REVISIONS | | |
| BS | 001 | REVISIONS | | |
| BT | 001 | REVISIONS | | |
| BU | 001 | REVISIONS | | |
| BV | 001 | REVISIONS | | |
| BW | 001 | REVISIONS | | |
| BX | 001 | REVISIONS | | |
| BY | 001 | REVISIONS | | |
| BZ | 001 | REVISIONS | | |
| CA | 001 | REVISIONS | | |
| CB | 001 | REVISIONS | | |
| CC | 001 | REVISIONS | | |
| CD | 001 | REVISIONS | | |
| CE | 001 | REVISIONS | | |
| CF | 001 | REVISIONS | | |
| CG | 001 | REVISIONS | | |
| CH | 001 | REVISIONS | | |
| CI | 001 | REVISIONS | | |
| CJ | 001 | REVISIONS | | |
| CK | 001 | REVISIONS | | |
| CL | 001 | REVISIONS | | |
| CM | 001 | REVISIONS | | |
| CN | 001 | REVISIONS | | |
| CO | 001 | REVISIONS | | |
| CP | 001 | REVISIONS | | |
| CQ | 001 | REVISIONS | | |
| CR | 001 | REVISIONS | | |
| CS | 001 | REVISIONS | | |
| CT | 001 | REVISIONS | | |
| CU | 001 | REVISIONS | | |
| CV | 001 | REVISIONS | | |
| CW | 001 | REVISIONS | | |
| CX | 001 | REVISIONS | | |
| CY | 001 | REVISIONS | | |
| CA | 001 | REVISIONS | | |

PARTS LIST
 MANUFACTURER OR DESCRIPTION
 QUANTITY
 UNIT
 PARTS LIST
 TEXAS INSTRUMENTS
 BASH / POWER SUPPLY ASSY
 E96214 594 323 8.4
 196214 594 323 8.4

List of Materials

05/12/84

| PART NUMBER | REV | DESCRIPTION..... | |
|--------------|-----------|-----------------------------|--|
| 0994323-0001 | 0E | BASE/POWER SUPPLY ASSY, 8IG | |
| ITEM. | QUANTITY. | COMPONENT.. | DESCRIPTION..... UN |
| 0001 | 00001.000 | 0994179-0001 | BASE EA |
| 0002 | 00001.000 | 0994213-0001 | PLATE,BOTTOM PAPER CHUTE EA |
| 0003 | 00001.000 | 0996275-0002 | FAN,TUBEAXIAL 20 VOLT,AC EA |
| 0005 | 00001.000 | 0994350-0001 | CABLE ASSY,FAN EA |
| 0006 | 00001.000 | 2360028-0001 | CARD GUIDE EA |
| 0008 | 00001.000 | 0994341-0001 | PLATE,COVER MTG EA |
| 0010 | 00007.000 | 0972969-0005 | SCREW #6-20 X 3/8 LG THD PL HEX WASHER EA |
| 0014 | 00006.000 | 0996225-0001 | FASTENER,PUSHNUT,REMOVABLE .1875/.190 DIA EA |
| 0020 | 00000.000 | 0994461-0001 | AC POWER MCD ASSY,W/EMI FILTER EA |
| 0020A | | | 1225-1461-111 *ALTERNATE FOR ITEM 51 |
| 0022 | AR | 0231792-0002 | COLOR DOT,RED .250 DIA. SH |
| 0023 | AR | 0231792-0005 | COLOR DOT,GREEN .250 DIA. SH |
| 0024 | AR | 0231792-0003 | COLOR DOT,ORANGE.250 DIA. SH |
| 0025 | 00001.000 | 0972998-0022 | SCREW 4-40 X 1.25 PAN HEAD CRES EA |
| 0027 | 00000.001 | 0410622-0011 | WASHER #4 FLAT EA |
| 0032 | 00001.000 | 2360030-0001 | GUARD,FAN EA |
| 0035 | 00000.000 | 0996325-0001 | CAP 12,000 50V +75-10% EA |
| 0035A | | | SPR - 32DX123G050BC *ALTERNATE FOR ITEM 75 SPR - 32DX123G050BC |
| 0038 | 00002.000 | 0972969-0008 | SCREW,6-20 X 3/4 HEX WASHER HEAD EA |
| 0040 | 00004.000 | 2360032-0001 | ISOLATOR,NOISE EA |
| 0041 | 00004.000 | 2360035-0001 | BUSHING EA |
| 0042 | 00000.000 | 0411101-0058 | LOCKWASHER #6 EXTERNAL TOOTH CRES EA |
| 0043 | 00000.000 | 0972988-0028 | SCREW 6-32 X .375 PAN HEAD CRES EA |
| 0043A | | | 1208- -000 *USED WITH ITEM 35 1208- -000 |
| 0044 | 00002.000 | 0994456-0001 | RETAINER,FAN BRACKET EA |
| 0045 | 00000.000 | 0994458-0001 | INSULATOR, BASE INTERICR EA |
| 0045A | | | *ALTERNATE FOR ITEM 79 |
| 0046 | 00000.000 | 0994478-0001 | INSULATOR, BASE INTERICR 1.90 EA |
| 0046A | | | *ALTERNATE FOR ITEM 79 |
| 0047 | 00000.000 | 0994478-0002 | INSULATOR, BASE INTERICR 7.70 EA |
| 0047A | | | *ALTERNATE FOR ITEM 79 |

List of Materials

05/12/84

| PART NUMBER | REV | DESCRIPTION..... | UM |
|--------------|-----------|---|----|
| 0994323-0001 | 0E | BASE/POWER SUPPLY ASSY, 81C | |
| ITEM. | QUANTITY. | COMPONENT.. DESCRIPTION..... | UM |
| 0048 | 00000.000 | 0994478-0003 INSULATOR, BASE INTERIOR 10.00 | EA |
| 0048A | | *ALTERNATE FOR ITEM 79 | |
| 0050 | AR | 0996612-0002 ADHESIVE, TRANSFER TAPE 1.00 WIDTH | RL |
| | | 052152-9568 | |
| 0051 | 00001.000 | 0994461-0002 AC POWER MOD ASSY,W/X-Y CAP | EA |
| | | 1225-1461-201 | |
| 0052 | 00004.000 | 0996086-0001 CLIP,NYLON,FLAT CABLE,MCUNTING | EA |
| | | WEK - FCA-15 | |
| 0054 | 00001.000 | 0994208-0001 COVER FUSE | EA |
| | | 1255-0008-022 | |
| 0056 | 00000.000 | 0972969-0011 SCREW,8-18 X 3/8 THD CTG PLAIN HEX | EA |
| 0056A | | *REWORK FOR ITEM 10 | |
| 0057 | 00000.000 | 0972969-0014 SCREW 8-18 X 3/4 THRD CTG HEX WASHER HD | EA |
| 0057A | | *REWORK FOR ITEM 38 | |
| 0058 | 00008.000 | 2210084-0014 SEMS,PNH, SLTD, EXT TOOTH 32UNC-2A,.375L | EA |
| 0059 | 00001.000 | 0994531-0002 MOTHERBOARD,810 PRINTER | EA |
| | | 1225-2531-198 | |
| 0060 | 00001.000 | 0994534-0001 PWD ASSY, POWER SUPPLY, 810 | EA |
| | | 1225-1534-999 | |
| 0062 | 00000.000 | 0996347-0001 RETAINER,CAPACITGR MCUNTING | EA |
| | | SPR - 4586-48 | |
| 0062A | | *USED WITH ITEM 35 | |
| | | SPR - 4586-48 | |
| 0065 | 00000.000 | 0972988-0032 SCREW 6-32 X .750 PAN HEAD CRES | EA |
| 0065A | | *USED WITH ITEM 35 | |
| 0066 | 00000.000 | 2360011-0001 GUARD,SWITCH | EA |
| | | 1680-0011-000 | |
| 0066A | | *REQUIRED ONLY ON UNITS | |
| | | 1680-0011-000 | |
| 0066B | | *THAT USE CUTLER-HAMMER | |
| | | 1680-0011-000 | |
| 0066C | | *SWITCH(PN 996656)USE WITH | |
| | | 1680-0011-000 | |
| 0066D | | *OTHER SWITCHES OPTICNAL | |
| | | 1680-0011-000 | |
| 0067 | 00004.000 | 0994267-0001 WASHER,ISULATOR | EA |
| 0068 | 00000.000 | 2211689-0023 10-32X.375,PAN HD, SPRING LOCKWASHER | EA |
| | | SEE TI- DRAWING | |
| 0068A | | *USED WITH ITEM 35 | |
| | | SEE TI- DRAWING | |
| 0069 | 00000.000 | 2210006-0002 ASSY, HEX NUT, LOCKWASHERS | EA |
| | | 092550-SEE DRAWING | |
| 0069A | | *USED WITH ITEM 35 | |
| | | 092550-SEE DRAWING | |
| 0070 | 00002.000 | 2210006-0001 ASSY,HEX NUT,LOCKWASHERS, 4-40 | EA |
| | | 092550-SEE DRAWING | |
| 0071 | 00001.000 | 2211692-0014 SEMS,6-32X.750,PAN HEAD,CONE WASHER | EA |
| | | SEE TI- DRAWING | |
| 0072 | 00001.000 | 2360075-0001 STRAP,GND,EIA CGNN & PAPER BASKET | EA |
| | | 1680-0075-053 | |
| 0073 | 00001.000 | 0994438-0002 BRACKET,RIGHT-STATIC-GRD | EA |
| | | 1680-2438-077 | |

LIST OF MATERIALS

05/12/84

| PART NUMBER | REV | DESCRIPTION..... | |
|--------------|-----------|-----------------------------|---|
| 0994323-0001 | BE | BASE/POWER SUPPLY ASSY, 810 | |
| ITEM. | QUANTITY. | COMPONENT.. | DESCRIPTION..... UM |
| 0074 | 00006.000 | 0972988-0033 | SCREW 6-32 X .875 PAN HEAD CRES EA |
| 0075 | 00001.000 | 2360083-0001 | CAPACITOR, AL, ELECTROLYTIC, 1200UF, 50WVDC EA 5910-0823-000 |
| 0077 | 00001.000 | 2360074-0001 | STRAP, GND, MECH TO P/S-810 EA 1600-0074-027 |
| 0078 | 00000.000 | 0972988-0021 | SCREW 4-40 X 1.00 PAN HEAD CRES EA |
| 0078A | | | *ALTERNATE FOR ITEM 25 |
| 0079 | 00001.000 | 2232605-0001 | INSULATOR, BASE EA SEE TI- DRAWING |
| 0999 | 00000.000 | 0239999-9999 | COST, SHRINKAGE EA |

05/12/84

| PART NUMBER | REV | DESCRIPTION..... | |
|--------------|-----------|-------------------------------------|---|
| 0994323-0003 | BE | BASE/POWER SUPPLY, ASSY, 810, HEXCN | |
| ITEM. | QUANTITY. | COMPONENT.. | DESCRIPTION..... UM |
| 0001 | 00001.000 | 0994179-0003 | BASE, HEXCN, SPECIAL PAINT EA 1600-3179-000 |
| 0002 | 00001.000 | 0994213-0001 | PLATE, BOTTOM PAPER CHUTE EA 1600-0213-054 |
| 0003 | 00001.000 | 0996275-0002 | FAN, TUBEAXIAL 28 VOLT, AC EA 082877-WR66H1 |
| 0005 | 00001.000 | 0994350-0001 | CABLE ASSY, FAN EA 1225-1350-099 |
| 0006 | 00001.000 | 2360028-0001 | CARD GUIDE EA 1255-0069-021 |
| 0008 | 00001.000 | 0994341-0001 | PLATE, COVER MTG EA 1600-0341-050 |
| 0010 | 00007.000 | 0972969-0005 | SCREW #6-20 X 3/8 LG THD PL HEX WASHER EA |
| 0014 | 00006.000 | 0996225-0001 | FASTENER, PUSHNUT, REMOVABLE .185/.190 DIA EA PAL - PZ001935 |
| 0020 | 00000.000 | 0994461-0001 | AC POWER MOD ASSY, W/EMI FILTER EA 1225-1461-111 |
| 0020A | | | *ALTERNATE FOR ITEM 51 |
| 0022 | AR | 0231792-0002 | COLOR DOT, RED .250 DIA. SH 085480-0025 RED |
| 0023 | AR | 0231792-0005 | COLOR DOT, GREEN .250 DIA. SH 085480-0025 GREEN |
| 0024 | AR | 0231792-0003 | COLOR DOT, CRANGE .250 DIA. SH 085480-0025 CRANGE |
| 0025 | 00001.000 | 0972989-0022 | SCREW 4-40 X 1.25 PAN HEAD CRES EA |
| 0027 | 00000.001 | 0416622-0011 | WASHER #4 FLAT EA QPL - AN960C4L |
| 0032 | 00001.000 | 2360030-0001 | GUARD, FAN EA 1255-0070-013 |
| 0035 | 00000.000 | 0996325-0001 | CAP 12,000 50V +75-10% EA SPR - 32CX123G050BC |
| 0035A | | | *ALTERNATE FOR ITEM 75 SPR - 32DX123G050BC |

LIST OF MATERIALS

J5/12/84

| PART NUMBER | REV | DESCRIPTION..... | |
|--------------|-----------|-------------------------------------|---|
| 0994323-0003 | BE | BASE/POWER SUPPLY, ASSY, 810, REXGN | |
| ITEM. | QUANTITY. | COMPONENT.. | DESCRIPTION..... UM |
| 0038 | 00002.000 | 0972969-0008 | SCREW, 6-20 X 3/4 HEX WASHER HEAD EA |
| 0040 | 00004.000 | 2360032-0001 | ISOLATOR, NOISE EA |
| 0041 | 00004.000 | 2360035-0001 | 1255-0075-J12 BUSHING EA |
| 0042 | 00000.000 | 0411101-0058 | LOCKWASHER #6 EXTERNAL TOOTH CRES EA |
| 0043 | 00000.000 | 0972988-0028 | CPL - MS35335-56 SCREW 6-32 X .375 PAN HEAD CRES EA |
| 0043A | | | 1208- -000 *USED WITH ITEM 35 |
| 0044 | 00002.000 | 0994456-0001 | 1208- -000 RETAINER, FAN BRACKET EA |
| 0045 | 00000.000 | 0994458-0001 | 1680-1456-041 INSULATOR, BASE INTERICR EA |
| 0045A | | | *ALTERNATE FOR ITEM 79 |
| 0046 | 00000.000 | 0994478-0001 | INSULATOR, BASE INTERICR 1.90 EA |
| 0046A | | | *ALTERNATE FOR ITEM 79 |
| 0047 | 00000.000 | 0994478-0002 | INSULATOR, BASE INTERICR 7.70 EA |
| 0047A | | | *ALTERNATE FOR ITEM 79 |
| 0048 | 00000.000 | 0994478-0003 | INSULATOR, BASE INTERICR 10.00 EA |
| 0048A | | | *ALTERNATE FOR ITEM 79 |
| 0050 | AR | 0996612-0002 | ADHESIVE, TRANSFER TAPE 1.00 WIDTH RL |
| 0051 | 00001.000 | 0994461-0002 | 052152-9568 AC POWER MOD ASSY, W/X-Y CAP EA |
| 0052 | 00004.000 | 0996086-0001 | 1225-1461-201 CLIP, NYLON, FLAT CABLE, MCOUNTING EA |
| 0054 | 00001.000 | 0994208-0001 | WEK - FCA-15 COVER FUSE EA |
| 0056 | 00000.000 | 0972969-0011 | 1255-0008-022 SCREW, 8-18 X 3/8 THD CTG PLAIN HEX EA |
| 0056A | | | *REWORK FOR ITEM 10 |
| 0057 | 00000.000 | 0972969-0014 | SCREW 8-18 X 3/4 THRD CTG HEX WASHER HD EA |
| 0057A | | | *REWORK FOR ITEM 38 |
| 0058 | 00000.000 | 2210084-0014 | SEMS, PNH, SLTD, EXT TOOTH 32UNC-2A, .375L EA |
| 0059 | 00001.000 | 0994531-0002 | MOTHERBOARD, 810 PRINTER EA |
| 0060 | 00001.000 | 0994534-0001 | 1225-2531-198 PWB ASSY, POWER SUPPLY, 810 EA |
| 0062 | 00000.000 | 0996347-0001 | 1225-1534-999 RETAINER, CAPACITOR MCOUNTING EA |
| 0062A | | | SPR - 4586-48 *USED WITH ITEM 35 |
| 0065 | 00000.000 | 0972988-0032 | SPR - 4586-48 SCREW 6-32 X .750 PAN HEAD CRES EA |
| 0065A | | | *USED WITH ITEM 35 |
| 0066 | 00000.000 | 2360011-0001 | GUARD, SWITCH EA |
| | | | 1680-0011-000 |

LIST OF MATERIALS

05/12/84

PART NUMBER REV DESCRIPTION.....
 0994323-0003 BE BASE/POWER SUPPLY, ASSY, 810, REXCA

| ITEM. | QUANTITY. | COMPONENT.. | DESCRIPTION..... | UM |
|-------|-----------|--------------|--|----|
| 0066A | | | *REQUIRED ONLY ON UNITS 1630-0011-000 | |
| 0066B | | | *THAT USE CUTLER-HAMMER 1680-0011-000 | |
| 0066C | | | *SWITCH (PN 996656)USE WITH 1680-0011-000 | |
| 0066D | | | *OTHER SWITCHES OPTICAL 1630-0011-000 | |
| 0067 | 00004.000 | 0994267-0001 | WASHER, ISOLATOR | EA |
| 0068 | 00000.000 | 2211689-0023 | 10-32X.375,PAN HD, SPRING LOCKWASHER SEE TI- DRAWING | EA |
| 0068A | | | *USED WITH ITEM 35 SEE TI- DRAWING | |
| 0069 | 00000.000 | 2210006-0002 | ASSY, HEX NUT, LOCKWASHERS 092550-SEE DRAWING | EA |
| 0069A | | | *USED WITH ITEM 35 092550-SEE DRAWING | |
| 0070 | 00002.000 | 2210006-0001 | ASSY,HEX NUT,LOCKWASHERS, 4-40 092550-SEE DRAWING | EA |
| 0071 | 00001.000 | 2211692-0014 | SEMS,6-32X.750,PAN HEAD,CCNE WASHER SEE TI- DRAWING | EA |
| 0072 | 00001.000 | 2360075-0001 | STRAP,GND,EIA CUNN G PAPER BASKET 1680-0075-053 | EA |
| 0073 | 00001.000 | 0994438-0002 | BRACKET,RIGHT-STATIC-GRD 1680-2438-077 | EA |
| 0074 | 00006.000 | 0972988-0033 | SCREW 6-32 X .875 PAN HEAD CRES | EA |
| 0075 | 00001.000 | 2360083-0001 | CAPACITOR,AL,ELECTRLYTIC,12000UF,50WVDC 5910-0823-000 | EA |
| 0077 | 00001.000 | 2360074-0001 | STRAP,GND,MECH TO P/S-810 1680-0074-027 | EA |
| 0078 | 00000.000 | 0972988-0021 | SCREW 4-40 X 1.00 PAN HEAD CRES | EA |
| 0078A | | | *ALTERNATE FOR ITEM 25 | |
| 0079 | 00001.000 | 2232605-0001 | INSULATOR, BASE SEE TI- DRAWING | EA |
| 9999 | 00000.000 | 023;999-9999 | COST, SHRINKAGE | EA |

05/12/84

PART NUMBER REV DESCRIPTION.....
 0994323-0004 BE BASE/POWER SUPPLY ASSY, 810, CADD

| ITEM. | QUANTITY. | COMPONENT.. | DESCRIPTION..... | UM |
|-------|-----------|--------------|--|----|
| 0001 | 00001.000 | 0994179-0004 | BASE,CADD,SPECIAL PAINT 1630-4179-000 | EA |
| 0002 | 00001.000 | 0994213-0001 | PLATE,BOTTOM PAPER CHUTE 1680-0213-054 | EA |
| 0003 | 00001.000 | 0996275-0002 | FAN,TUBEAXIAL 28 VOLT,AC 082877-WR66H1 | EA |
| 0005 | 00001.000 | 0994350-0001 | CABLE ASSY,FAN 1225-1350-099 | EA |
| 0006 | 00001.000 | 2360028-0001 | CARD GUIDE 1255-0069-021 | EA |
| 0008 | 00001.000 | 0994341-0001 | PLATE,COVER MTG 1680-0341-050 | EA |
| 0010 | 00007.000 | 0972969-0005 | SCREW #6-20 X 3/8 LG THD PL HEX WASHER | EA |
| 0014 | 00006.000 | 0996225-0001 | FASTENER,PUSHNUT,REMOVABLE .185/.190 DIA PAL - PZ001935 | EA |

LIST OF MATERIALS

05/12/84

| PART NUMBER | REV | DESCRIPTION..... | UM | |
|--------------|-----------|-----------------------------------|--|----|
| 0994323-0004 | 0E | BASE/POWER SUPPLY ASSY, 810, CADG | | |
| ITEM. | QUANTITY. | COMPONENT.. | DESCRIPTION..... | UM |
| J020 | J0000.000 | 0994461-0001 | AC POWER MCD ASSY,W/EMI FILTER 1225-1461-111 | EA |
| J020A | | | *ALTERNATE FOR ITEM 51 1225-1461-111 | |
| 0022 | AR | J231792-C002 | COLOR DOT,RED .250 DIA. | SH |
| 0023 | AR | 0231792-0005 | 085480-QD25 RED COLOR DOT, GREEN .250 DIA. | SH |
| J024 | AR | 0231792-0003 | 085480-QD25 GREEN COLOR DOT, ORANGE .250 DIA. | SH |
| 0025 | J0001.000 | 0977988-0022 | 085480-QD25 CRANGE SCREW 4-40 X 1.25 PAN HEAD CRES | EA |
| J027 | J0000.001 | 0416622-0011 | WASHER #4 FLAT CPL - AN960C4L | EA |
| 0032 | J0001.000 | 2360030-C001 | GUARD, FAN 1255-0070-C13 | EA |
| J035 | J0000.000 | 0996325-0001 | CAP 12,000 50V +75-10% | EA |
| J035A | | | SPR - J20X123G050BC *ALTERNATE FOR ITEM 75 SPR - J20X123G050BC | |

05/12/84

| PART NUMBER | REV | DESCRIPTION..... | UM | |
|--------------|-----------|-----------------------------------|---|----|
| 0994323-0004 | 0E | BASE/POWER SUPPLY ASSY, 810, CADG | | |
| ITEM. | QUANTITY. | COMPONENT.. | DESCRIPTION..... | UM |
| J038 | J0002.000 | 0972969-0008 | SCREW, 6-20 X 3/4 HEX WASHER HEAD | EA |
| J040 | 00004.000 | 2360032-0001 | ISOLATOR, NOISE 1255-0075-012 | EA |
| J041 | 00004.000 | 2360035-0001 | BUSHING | EA |
| J042 | J0000.000 | J411101-0058 | LOCKWASHER #6 EXTERNAL TOOTH CRES CPL - MS35J35-58 | EA |
| 0043 | J0000.000 | 0972988-0028 | SCREW 6-32 X .375 PAN HEAD CRES 1208- -J00 | EA |
| J043A | | | *USED WITH ITEM 35 1208- -J00 | |
| J044 | J0002.000 | 0994456-0001 | RETAINER, FAN BRACKET 1680-1456-041 | EA |
| 0045 | J0000.000 | 0994458-0001 | INSULATOR, BASE INTERICR | EA |
| J045A | | | *ALTERNATE FOR ITEM 79 | |
| 0046 | J0000.000 | 0994478-0001 | INSULATOR, BASE INTERICR 1.90 | EA |
| 0046A | | | *ALTERNATE FOR ITEM 79 | |
| J047 | J0000.000 | 0994478-0002 | INSULATOR, BASE INTERICR 7.70 | EA |
| J047A | | | *ALTERNATE FOR ITEM 79 | |
| 0048 | 00000.000 | 0994478-0003 | INSULATOR, BASE INTERICR 10.00 | EA |
| J048A | | | *ALTERNATE FOR ITEM 79 | |
| 0050 | AR | 0996612-0002 | ADHESIVE, TRANSFER TAPE 1.00 WIDTH 052152-9568 | RL |
| 0051 | J0001.000 | 0994461-0002 | AC POWER MCD ASSY,W/X-Y CAP 1225-1461-201 | EA |
| J052 | J0004.000 | 0996086-0001 | CLIP, NYLON, FLAT CABLE, MOUNTING WEK - FCA-15 | EA |

LIST OF MATERIALS

05/12/84

| PART NUMBER | REV | DESCRIPTION..... | |
|--------------|-----------|-----------------------------------|---|
| 0994323-0004 | 0E | BASE/POWER SUPPLY ASSY, 810, CADO | |
| ITEM. | QUANTITY. | COMPONENT.. | DESCRIPTION..... UM |
| 0054 | 00001.000 | 0994208-0001 | COVER FUSE 1235-J008-022 EA |
| 0056 | 00000.000 | 0972969-0011 | SCREW, 0-18 X 3/8 THRD CTG PLAIN HEX EA |
| 0056A | | | *REWORK FOR ITEM 10 |
| 0057 | 00000.000 | 0972969-0014 | SCREW 8-18 X 3/4 THRD CTG HEX WASHER HD EA |
| 0057A | | | *REWORK FOR ITEM 38 |
| 0058 | 00008.000 | 2210084-0014 | SEMS, PHH, SLTD, EXT TOOTH 32UNC-2A, .375L EA |
| 0059 | 00001.000 | 0994531-0002 | MOTHERBOARD, 810 PRINTER EA |
| 0060 | 00001.000 | 0994534-0001 | PWR ASSY, POWER SUPPLY, 810 EA |
| 0062 | 00000.000 | 0996347-0001 | RETAINER, CAPACITOR MOUNTING EA |
| 0062A | | | SPR - 4585-48 *USED WITH ITEM 35 |
| 0065 | 00000.000 | 0972988-0032 | SCREW 6-32 X .750 PAN HEAD CRES EA |
| 0065A | | | *USED WITH ITEM 35 |
| 0066 | 00000.000 | 2360011-0001 | GUARD, SWITCH EA |
| 0066A | | | 1680-0011-000 *REQUIRED ONLY ON UNITS |
| 0066B | | | 1680-0011-000 *THAT USE CUTLER-HAMMER |
| 0066C | | | 1680-0011-000 *SWITCH (PN 996656) USE WITH |
| 0066D | | | 1680-0011-000 *OTHER SWITCHES OPTICNAL |
| 0067 | 00004.000 | 0994267-0001 | 1680-0011-000 WASHER, ISULATOR EA |
| 0068 | 00000.000 | 2211689-0023 | 10-32X.375, PAN HD, SPRING LOCKWASHER EA |
| 0068A | | | SEE TI- DRAWING *USED WITH ITEM 35 |
| 0069 | 00000.000 | 2210006-0002 | SEE TI- DRAWING ASSY, HEX NUT, LOCKWASHERS EA |
| 0069A | | | 092550-SEE DRAWING *USED WITH ITEM 35 |
| 0070 | 00002.000 | 2210006-0001 | 092550-SEE DRAWING ASSY, HEX NUT, LOCKWASHERS, 4-40 EA |
| 0071 | 00001.000 | 2211692-0014 | 092550-SEE DRAWING SEMS, 6-32X.750, PAN HEAD, CONE WASHER EA |
| 0072 | 00001.000 | 2360075-0001 | SEE TI- DRAWING STRAP, GND, EIA CONN & PAPER BASKET EA |
| 0073 | 00001.000 | 0994438-0002 | 1680-0075-053 BRACKET, RIGHT-STATIC-GRD EA |
| 0074 | 00000.000 | 0972988-0033 | 1680-2438-077 SCREW 6-32 X .875 PAN HEAD CRES EA |
| 0075 | 00001.000 | 2360083-0001 | CAPACITOR, AL, ELECTRLYTIC, 1200ULF, 50WVDC EA |
| 0077 | 00001.000 | 2360074-0001 | 5910-0823-000 STRAP, GND, MECH TO P/S-910 EA |
| 0078 | 00000.000 | 0972988-0021 | 1680-0074-027 SCREW 4-40 X 1.00 PAN HEAD CRES EA |
| 0078A | | | *ALTERNATE FOR ITEM 25 |
| 0079 | 00001.000 | 2232605-0001 | INSULATOR, BASE EA |
| | | | SEE TI- DRAWING |

LIST OF MATERIALS

07/15/81

| PART NUMBER | REV | DESCRIPTION..... | UM | |
|-------------|-----------|------------------|--|----|
| 0994330 | 0001 | T | MOTHER BOARD 810 PRINTER | |
| ITEM. | QUANTITY. | COMPONENT.. | DESCRIPTION..... | UM |
| 0001 | 00001.000 | 0994329-0001 | PWB,MC-1 MOTHER BOARD | EA |
| 0002 | 00010.000 | 0772635-0001 | CLIP,FUSE | EA |
| 0003 | 00001.000 | 0410822-0019 | LIT -102068 FUSE 1.0 A 250V SLOW BLOW UL-APPVD | EA |
| 0003A | | | BUS - MDL F1 | |
| 0004 | 00001.000 | 0411787-0012 | BUS - MDL FUSE 3.0 A 125V 3AG SLOW BLOW | EA |
| 0004A | | | BUS - MDX F2 | |
| 0006 | 00008.000 | 0972676-0001 | BUS - MDX CONNECTOR-CARD EDGE,80 PIN,SOLDER POST | EA |
| 0006A | | | XA1P1, XA1P2, XA2P1, | |
| 0006B | | | XA2P2, XA3P1, XA3P2, | |
| 0006C | | | XA4P1, XA4P2 | |
| 0007 | 00001.000 | 0996166-0007 | HEADER,SOCKET,12 CIRCUITS 1.050 | EA |
| 0007A | | | J1 | |
| 0008 | 00001.000 | 0996166-0005 | HEADER,SOCKET,SHORT SOLDER T 6 CIRCUITS | EA |
| 0008A | | | AMP - 350827-1 J12 | |
| 0009 | 00001.000 | 0996166-0001 | AMP - 350827-1 HEADER,SOCKET,SHORT SOLDER T 2 CIRCUITS | EA |
| 0009A | | | AMP - 350824-1 J5 | |
| 0010 | 00001.000 | 0972854-0001 | AMP - 350824-1 CONNECTOR,P.C. BOARD 25 POSITION | EA |
| 0010A | | | AMP - 206584-2 J13 | |
| 0011 | 00123.000 | 0972456-0002 | AMP - 206584-2 PIN,.025 SQUARE | EA |
| 0011A | | | 5935-0800-000 LOCATION E1 THRU E4, | |
| 0011B | | | 5935-0800-000 E8 THRU E13, J2, J3, J4, | |
| 0011C | | | 5935-0800-000 J6, J7, J8, J9, J11, J14, | |
| 0011D | | | 5935-0800-000 J15 | |
| 0012 | 00001.000 | 0996347-0001 | 5935-0800-000 RETAINER,CAPACITOR MOUNTING | EA |
| 0015 | 00001.000 | 0972942-0042 | SPR - 4586-48 RES FIXED 1 K OHMS +5% 5 WATT | EA |
| 0015A | | | DAL - CW OR RS R1 | |
| 0016 | 00004.000 | 0411104-0136 | DAL - CW OR RS WASHER, LOCK-SPRING, HELICAL, #6 | EA |
| 0017 | 00003.000 | 0972988-0028 | QPL - MS35338-136 SCREW 6-32 X .375 PAN HEAD CRES | EA |
| 0018 | 00004.000 | 0411115-0064 | NUT,PLAIN 6-32 UNC-2B HEX CRES | EA |
| 0019 | 00001.000 | 0539544-0002 | QPL - MS35649-264 SOCKET,16PIN IC LOW PROFILE SOLDER TAIL | EA |
| 0019A | | | TI -C93-16-02 XU1 | |
| 0024 | REF | 0983412-9901 | TI -C93-16-02 REVISION LEVEL STATUS,MC810/ATS | EA |

LIST OF MATERIALS

07/15/81

| PART NUMBER | REV | DESCRIPTION..... | UM | |
|--------------|-----------|--------------------------|---|----|
| 0994330-0001 | T | MOTHER BOARD 810 PRINTER | | |
| ITEM. | QUANTITY. | COMPONENT.. | DESCRIPTION..... | UM |
| 0025 | REF | 0994328-9901 | SCHEMATIC,DIAG ELECT,MOTHERBD-810 PRT | EA |
| 0029 | 00001.000 | 0972988-0030 | SCREW 6-32 X .500 PAN HEAD CRES | EA |
| 0030 | REF | 0994396-9901 | PROCEDURE,SITE & DATE CODE SERIALIZATION | EA |
| 0031 | 00000.100 | 0411400-0022 | WIRE 22AWG ELETRO-TIN-PLATED,COPPER | FT |
| 0031A | | | 1233-6276-000 E6 TO E7 1233-6276-000 | |
| 0032 | 00001.000 | 0972487-0001 | JUMPER PLUG,CONNECTCR BLACK | EA |
| 0032A | | | 5935-0900-000 JUMPER E11 TO E12 5935-0900-000 | |
| 0033 | 00002.000 | 0808129-0001 | CONNECTOR,ELECT SCREW-LOCK ASSY FEMALE | EA |
| 0034 | 00002.000 | 0418730-0101 | U81349-M24308/26-1 WASHER,NYLON | EA |
| 0035 | 00002.000 | 0411104-0134 | WASHER, LOCK-SPRING, HELICAL, #2 | EA |
| 0036 | 00002.000 | 0972988-0005 | QPL - MS35338-134 SCREW 2-56 X .375 PAN HEAD CRES | EA |
| 0037 | 00002.000 | 0411115-0024 | NUT,PLAIN 2-56 UNC-28 HEX CRES | EA |
| 0038 | 00004.000 | 0416622-0022 | QPL - MS35649-224 WASHER,FLAT #3 .032 THICK | EA |
| 0039 | 00005.000 | 0411027-0806 | QPL - AN960C3 WASHER,#6 FLAT,CRES,.156 X .375 X .049 | EA |
| 0040 | 00001.000 | 0411101-0058 | QPL - MS15795-806 LOCKWASHER #6 EXTERNAL TOOTH CRES | EA |
| 0041 | AR | 0802749-0242 | QPL - MS35335-58 ADHESIVE,THREAD SEALING AND LOCKING | EA |
| 0042 | AR | 0231023-0009 | LOC - TL-242 CEMENT GLYPTAL BLUE-GRAY | EA |
| 0043 | 00001.000 | 0972988-0032 | SEE TI- DRAWING SCREW 6-32 X .750 PAN HEAD CRES | EA |
| 0044 | 00001.000 | 0416434-0153 | FUSE 1.5 A 250V 3AG | EA |
| 0044A | | | LIT - 31201.5 F5 LIT - 31201.5 | |
| 0045 | 00000.000 | 0996506-0001 | CONNECTOR,CARD EDGE, 80 PIN | EA |
| 0045A | | | U05041-S011GR40-DRHEH USED AS ALTERNATE ITEM | |
| 0045B | | | U05041-S011GR40-DRHEH FOR ITEM 6 | |
| 0046 | 00002.000 | 0416434-0103 | U05041-S011GR40-DRHEH FUSE 1.0 A 250V 3AG | EA |
| 0046A | | | LIT - 312001 F3 F4 LIT - 312001 | |
| 9999 | 00001.000 | 0239999-9999 | COST, SHRINKAGE | EA |

LIST OF MATERIALS

05/12/84

PART NUMBER REV DESCRIPTION.....
 0994349-0001 H CABLE ASSY, FLEX

| ITEM. | QUANTITY. | COMPONENT.. | DESCRIPTION..... | UM |
|-------|-----------|--------------|---|----|
| 0001 | 00001.000 | 0996237-0001 | CONNECTOR, HOUSING, PWB AMP - 86792-3 | EA |
| 0001A | | | P20 | |
| | | | AMP - 86792-3 | |
| 0002 | 00001.000 | 0996238-0001 | CONNECTOR, HOUSING, 18 POSITION AMP - 1-86784-1 | EA |
| 0002A | | | P3 | |
| | | | AMP - 1-86784-1 | |
| 0006 | REF | 0994365-9901 | WIRE LIST, FLEX CABLE | EA |
| 0101 | 00001.000 | 0994349-5001 | BULK CABLE ASSY MATERIAL FOR -0001 1225-0349-116 | EA |

05/12/84

PART NUMBER REV DESCRIPTION.....
 0994349-5001 H BULK CABLE ASSY MATERIAL FOR -0001

| ITEM. | QUANTITY. | COMPONENT.. | DESCRIPTION..... | UM |
|-------|-----------|--------------|--|----|
| 0003 | 00007.100 | 0996249-0001 | CABLE, ELECTRICAL 9 CONDUCTOR, FLAT GCA - 8038160/9 | FT |
| 0004 | 00018.000 | 0996239-0001 | CONTACT, CONNECTOR, EDGE AMP - 86742-4 | EA |
| 0005 | 00018.000 | 0996236-0001 | CONTACT, RCPT, .025SQ POST .0000150/P THK AMP - 86565-8 | EA |
| 0007 | 00001.000 | 0996497-0001 | KEYING PLUG CONNECTOR 086286--1 | EA |

List of Materials

05/12/84

PART NUMBER REV DESCRIPTION.....
 0994350-0001 J CABLE ASSY,FAN

| ITEM. | QUANTITY. | COMPONENT.. | DESCRIPTION..... | UM |
|-------|-----------|--------------|---|----|
| 0001 | 00001.000 | 0972484-0003 | CONNECTOR HOUSING 3 CONTACT TIB -7175-8 | EA |
| 0009 | 00000.000 | 0772707-0034 | RECEPTACLE,TERMINAL- 3 CAVITIES DEI -65039-034 | EA |
| 0101 | 00001.000 | 0994350-5001 | BULK CABLE ASSY MATERIAL FOR -0001 1225-0350-009 | EA |

05/12/84

PART NUMBER REV DESCRIPTION.....
 0994350-5001 J BULK CABLE ASSY MATERIAL FOR -0001

| ITEM. | QUANTITY. | COMPONENT.. | DESCRIPTION..... | UM |
|-------|-----------|--------------|--|----|
| 0002 | 00003.000 | 0972104-0001 | CONTACT ELEC-LOCKING,WIRE-TC.025 SQ POST AMP - 87124-1 | EA |
| 0002A | | | *ITEM 9 & 10 MAY BE USED AMP - 87124-1 | |
| 0002B | | | *AS ALTERNATES FOR ITEMS AMP - 87124-1 | |
| 0002C | | | *1 & 2. ITEM 1 & 2 MAY ONLY AMP - 87124-1 | |
| 0002D | | | *BE USED TOGETHER AMP - 87124-1 | |
| 0003 | 00002.000 | 0972171-0057 | TERMINAL,RECEPTACLE-PUSH-ON,INSULATED 000779-61060-2 | EA |
| 0004 | 00001.200 | 2210012-3999 | WIRE,WHT,UL 1429, 19X34, 22AWG 6145-3200-000 | FT |
| 0005 | 00000.500 | 0972436-0035 | INSUL SLVG,#6 PVC .166 ID .020THK 003890-HT-105C-6 | FT |
| 0006 | 00001.000 | 2211389-0001 | LUG,RING TONGUE,20-24 AWG SEE TI- DRAWING | EA |
| 0008 | 00000.600 | 2211912-0003 | WIRE,GRN/YEL,PVC,UL STYLE 1429,9 X .006 SEE TI- DRAWING | FT |
| 0010 | 00000.000 | 0972482-0006 | CONTACT,ELECTRICAL,CRIMP BEI - 75691-006 | EA |
| 0011 | 00001.000 | 2210317-0001 | LABEL,BLANK,CABLE MARKER 085480-5LPP-19319-4 | EA |

LIST OF MATERIALS

05/12/84

| PART NUMBER | REV | DESCRIPTION..... | |
|--------------|-----------|-------------------------------------|--|
| 0994359-0001 | W | CABLE ASSY, PARALLEL INTERFACE, 810 | |
| ITEM. | QUANTITY. | COMPONENT.. | DESCRIPTION..... UM |
| 0001 | 00001.000 | 0996217-0001 | CONNECTOR, RECEPTACLE TRW - 57-40360 EA |
| 0001A | | | J18 TRW - 57-40360 |
| 0002 | 00001.000 | 0972202-0019 | CONNECTOR 100 CENTER DUAL MINILATCH -65043-019 EA |
| 0002A | | | P14 -65043-019 |
| 0004 | 00002.000 | 0418212-0040 | STRAP, TIEDOWN, ADJUSTABLE, PLASTIC CPL - MS3367-4-9 EA |
| 0008 | REF | 0994360-9901 | WIRE LIST, PARALLEL INTERFACE EA |
| 0014 | 00001.000 | 2360076-0001 | BRACKET, AUXILIARY INPUT, P/IF 1680-1076-006 EA |
| 0016 | 00002.000 | 0972988-0005 | SCREW 2-56 X .375 PAN HEAD CRES EA |
| 0017 | 00002.000 | 0532752-0001 | WASHER, #2 LOCK-EXTERNAL TOOTH FLAT SHA -1602-01 EA |
| 0018 | 00002.000 | 0411115-0024 | NUT, PLAIN 2-56 UNC-2B HEX CRES CPL - MS35649-224 EA |
| 0019 | 00001.000 | 0232208-3500 | LABEL WIRE MARKER DATABS VINYL CLOTH 1206-2208-000 EA |
| 0101 | 00001.000 | 0994359-5001 | CABLE ASSY MATERIAL FOR -0001 & -0002 1225-0359-071 EA |

05/12/84

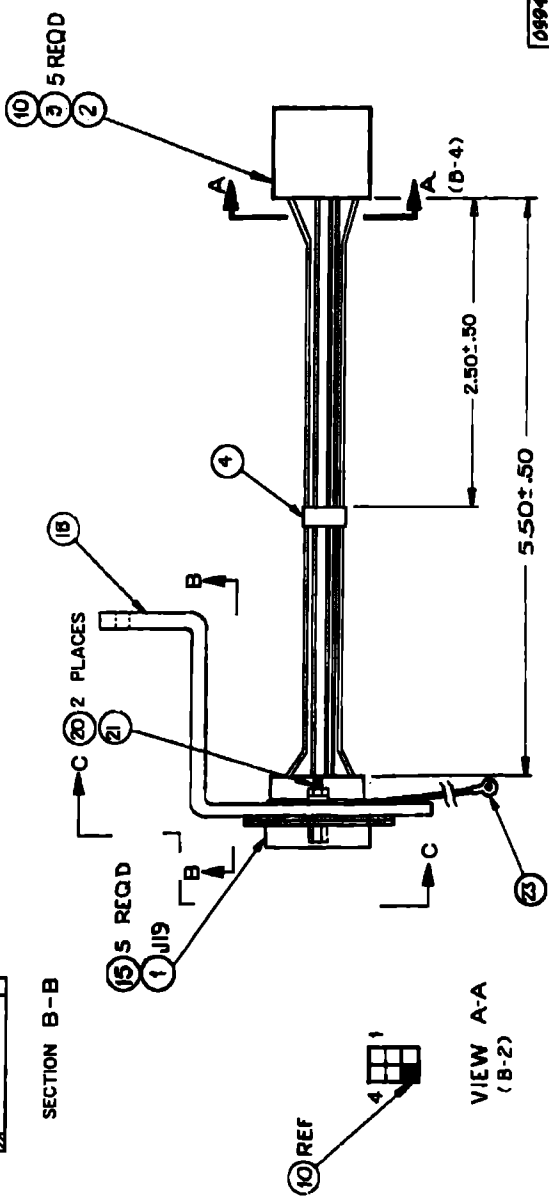
| PART NUMBER | REV | DESCRIPTION..... | |
|--------------|-----------|--|--|
| 0994359-0002 | W | CABLE ASSY, PARALLEL INTERFACE, L80, 810 | |
| ITEM. | QUANTITY. | COMPONENT.. | DESCRIPTION..... UM |
| 0001 | 00001.000 | 0996217-0001 | CONNECTOR, RECEPTACLE TRW - 57-40360 EA |
| 0002 | 00001.000 | 0972202-0019 | CONNECTOR 100 CENTER DUAL MINILATCH -65043-019 EA |
| 0004 | 00002.000 | 0418212-0040 | STRAP, TIEDOWN, ADJUSTABLE, PLASTIC CPL - MS3367-4-9 EA |
| 0008 | REF | 0994514-9901 | WIRE LIST, CABLE PARALLEL INTERFACE-L80 EA |
| 0014 | 00001.000 | 2360076-0001 | BRACKET, AUXILIARY INPUT, P/IF 1680-1076-006 EA |
| 0016 | 00002.000 | 0972988-0005 | SCREW 2-56 X .375 PAN HEAD CRES EA |
| 0017 | 00002.000 | 0532752-0001 | WASHER, #2 LOCK-EXTERNAL TOOTH FLAT SHA -1602-01 EA |
| 0018 | 00002.000 | 0411115-0024 | NUT, PLAIN 2-56 UNC-2B HEX CRES CPL - MS35649-224 EA |
| 0019 | 00001.000 | 0232208-3500 | LABEL WIRE MARKER DATABS VINYL CLOTH 1206-2208-000 EA |
| 0101 | 00001.000 | 0994359-5001 | CABLE ASSY MATERIAL FOR -0001 & -0002 1225-0359-071 EA |

LIST OF MATERIALS

05/12/84

| PART NUMBER | REV | DESCRIPTION..... | |
|--------------|-----------|---------------------------------------|---|
| 0994359-5001 | W | CABLE ASSY MATERIAL FOR -0001 & -0002 | |
| ITEM. | QUANTITY. | COMPONENT.. | DESCRIPTION..... UM |
| 0003 | 00035.000 | 0972482-0004 | CONTACT REELED 3 AMP .0035 THK BEI - 75691-004 EA |
| 0005 | 00001.800 | 0800335-0001 | CONNECTOR POLARIZING KEY BEI --65307-001 EA |
| 0006 | 00034.500 | 2210012-2999 | WIRE,ELEC,WHT,24 AWG, 19 X 36, UL1429 090484-XVB193609P FT |
| 0011 | 00000.300 | 0935170-2599 | WIRE,UL 1429,19 STRD,24AWG,WHT/GRN 1650-0000-000 FT |
| 0012 | 00001.000 | 2211389-0001 | LUG,RING TONGUE,20-24 AWG SEE TI- DRAWING EA |
| 0013 | 00001.500 | 0411634-0510 | SLEEVE,PVC, .053 DIA. CLEAR CPL - MIL-1-631 FT |
| 0102 | 00000.000 | 0935170-2099 | WIRE,UL 1429,19 STRD,24AWG,WHT/BLK 1650-0000-000 FT |
| 0102A | | | *ALTERNATE FOR ITEM 11 1650-0000-000 |

| WIRE NO. | DESCRIPTION | SIGNATURE | START STATION | FINISH STATION | REMARKS | LM ITEM NO. | REVISIONS | |
|----------|-------------|-----------|---------------|----------------|---------|-------------|-----------|--|
| | | | | | | | DATE | APPROVED |
| 1 | WHT | GND | P15-3 | J19-5 | | 5 | U | CN613045 (D) REX KARL 1/27/84 2-10-84 JDD/ML |
| 2 | WHT | TTYXMTD/R | -2 | J19-2 | Ip | 5 | | |
| 3 | WHT | TTYXMTD | -1 | J19-1 | I | 5 | | |
| 4 | WHT | TYRCVD | -5 | J19-5 | Ip | 5 | | |
| 5 | WHT | TYRCVD/R | P15-4 | J19-4 | I | 5 | | |



| MARK | PROCESS | DATE | DESCRIPTION |
|------|---------|------|--------------------|
| 1 | 100-07 | 712 | COLOR WHITE TYPE 9 |
| 2 | 100-07 | 712 | COLOR BLACK TYPE 6 |

| PART NUMBER | DESCRIPTION |
|--------------|------------------------------------|
| 0994361-5001 | BULK CABLE ASSY MATERIAL FOR -0001 |
| 0994361-0001 | CABLE ASSY TTY INTERFACE |

| NO | QTY | UNIT | DESCRIPTION | REVISIONS |
|----|-----|------|-------------|-----------|
| 1 | 1 | EA | ASSEMBLY | |

UNLESS OTHERWISE SPECIFIED:
 * DIMENSIONS ARE IN INCHES
 * ANGLES ARE IN DEGREES
 * 3 PLACE DECIMALS ± .010
 * 2 PLACE DECIMALS ± .005

UNLESS OTHERWISE SPECIFIED:
 * REMOVE ALL BURRS AND SHARP EDGES
 * CONCENTRICITY MACHINED
 * DIMENSIONS .010 PER
 * FINISH PROCESS
 * IDENTIFYING NUMBER BLOWN IN
 * IDENTIFYING NUMBER MOUNTED ONLY
 * WITH RESPECT TO FINISHING BY APPLICANCE
 * WITH MIL-STD-100

HOLE TOLERANCE
 FILE + .004 - .001
 TURN + .003 - .001
 1.125 + .003 - .001
 1.000 + .002 - .001
 1.000 + .001 - .001

APPLICATION: 994512, 8733, 994402, 8733, 994310, 8733

SCALE: 1:1

940

TEXAS INSTRUMENTS
 EQUIPMENT GROUP Dallas, Texas

CABLE ASSY.
 TTY INTERFACE.
 810

CODE IDENT NO. DRAWING NO.
C 96214 994361

SCALE: 1:1

DB LM

994361

List of Materials

02/04/84

PART NUMBER REV DESCRIPTION.....
 0994361-0001 U CABLE ASSY, TTY INTERFACE, 810

| ITEM. | QUANTITY. | COMPONENT.. | DESCRIPTION..... | UM |
|-------|-----------|--------------|--|----|
| 0001 | 00001.000 | 0539409-0002 | CONNECTOR,RCPT 9 PINS AMP -205203-1 | EA |
| 0001A | | | P15 | |
| 0002 | 00001.000 | 0972202-0034 | CONN- 6 CAV .100 CNTR D/MINILATCH BEI -65043-034 | EA |
| 0002A | | | P15 BEI -65043-034 | |
| 0011 | 00000.000 | 0972847-0007 | CONNECTOR,6 POSITION RECEPTACLE,.100GRID 000779-1-86148-8 | EA |
| 0012 | 00000.000 | 0539380-0004 | CONTACT,20-24AWG BERY COPPER 089110-86492-3 | EA |
| 0016 | REF | 0983410-9901 | TEST PRGM MUD 810 TTY INTFC CA ASSY-OMNI | EA |
| 0017 | REF | 2360257-9901 | TEST PROGRAM,TTY CABLE | EA |
| 0017A | | | ALTERNATE FOR ITEM 16 | |
| 0018 | 00001.000 | 2360076-0002 | BRACKET,AUXILIARY INPUT,TTY 1680-2076-002 | EA |
| 0020 | 00001.000 | 0808129-0001 | CONNECTOR,ELECT SCREW-LOCK ASSY FEMALE 081349-M24308/26-1 | EA |
| 0021 | 00001.000 | 0411104-0135 | WASHER, LOCK-SPRING, HELICAL, #4 QPL - MS35338-135 | EA |
| 0023 | 00001.000 | 2360088-0001 | LEAD, ELECTRICAL GROUND 1225-1088-018 | EA |
| 0101 | 00001.000 | 0994361-5001 | BULK CABLE ASSY MATERIAL FOR -0001 1225-0361-051 | EA |

02/04/84

PART NUMBER REV DESCRIPTION.....
 0994361-5001 U BULK CABLE ASSY MATERIAL FOR -0001

| ITEM. | QUANTITY. | COMPONENT.. | DESCRIPTION..... | UM |
|-------|-----------|--------------|--|----|
| 0003 | 00005.000 | 0972482-0006 | CONTACT,ELECTRICAL,CRIMP BEI - 75691-006 | EA |
| 0003A | | | *ITEM 2,3, & 10 CAN ONLY BE | |
| 0003B | | | BEI - 75691-006 *USED TOGETHER | |
| 0004 | 00001.000 | 0418212-0040 | STRAP,TIEDOWN,ADJUSTABLE,PLASTIC QPL - MS3367-4-9 | EA |
| 0004A | | | *ITEMS 11,12 & 13 CAN BE | |
| 0004B | | | QPL - MS3367-4-9 *USED AS ALTERNATES FOR | |
| 0004C | | | QPL - MS3367-4-9 *ITEMS 2,3 & 10. ITEMS 11, | |
| 0004D | | | QPL - MS3367-4-9 *12 & 13 CAN ONLY BE USED | |
| 0004E | | | QPL - MS3367-4-9 *TOGETHER | |
| 0005 | 00002.500 | 2210012-2999 | WIRE,ELEC,WHT,24 AWG, 19 X 36, UL1429 090484-XVB1936U9P | FT |
| 0010 | 00001.000 | 0800335-0001 | CONNECTOR POLARIZING KEY BEI --65307-001 | EA |
| 0013 | 00000.000 | 0996497-0001 | KEYING PLUG CONNECTOR 086286--1 | EA |
| 0015 | 00005.000 | 0539430-0004 | CONTACT,SOCKET 24-20AWG .068 INSUL DIA AMP -205201-3 ST | EA |
| 0022 | 00001.000 | 0232208-3500 | LABEL WIRE MARKER DATABS VINYL CLOTH 1286-2208-000 | EA |

LIST OF MATERIALS

07/15/81

| PART NUMBER | REV | DESCRIPTION..... | |
|--------------|-----------|-------------------|---|
| 0994373-0001 | G | A.C. POWER MODULE | |
| ITEM. | QUANTITY. | COMPONENT.. | DESCRIPTION..... UM |
| 0001 | 00001.000 | 0994369-0001 | BASE POWER SUPPLY 1680-0369-000 EA |
| 0002 | 00001.000 | 0996282-0001 | SWITCH, TOGGLE, ON-OFF MMI - 3190-0003 EA |
| 0002A | | | S1 MMI - 3190-0003 |
| 0003 | 00001.000 | 0996198-0009 | CONNECTOR, FUSED W/LABEL 005245-7100-0002 EA |
| 0003A | | | XF1 005245-7100-0002 |
| 0004 | 00001.000 | 0994324-0001 | TRANSFORMER, POWER ISOLATION 096214-994324-1 EA |
| 0004A | | | T1 096214-994324-1 |
| 0005 | 00001.000 | 0994374-0001 | CABLE ASSY TRANSFORMER 1225-1374-000 EA |
| 0005A | | | P1 1225-1374-000 |
| 0006 | 00001.000 | 0994368-0001 | JUMPER, AC POWER-TRANSFORMER 3.00LG 1225-1368-038 EA |
| 0007 | 00001.000 | 0994387-0001 | JUMPER, AC POWER 1225-1387-000 EA |
| 0008 | 00001.000 | 0994388-0001 | JUMPER, AC POWER GND 4.50 LG 1225-1388-000 EA |
| 0009 | 00001.000 | 0994389-0001 | JUMPER, XFORMER GND 1225-1389-000 EA |
| 0010 | 00001.000 | 0994390-0001 | OBSOLETE PER ECN439005, REPL BY NONE 1225-1390-000 EA |
| 0011 | 00001.000 | 0996319-0001 | RECTIFIER BRIDGE, FULL WAVE, 15 AMPERE EA |
| 0011A | | | CR1 |
| 0012 | 00000.000 | 0996320-0001 | RECTIFIER, BRIDGE, FULL WAVE, 12 AMPERE EA |
| 0012A | | | MOT - MDA-980-2 ALTERNATE FOR ITEM 11 MOT - MDA-980-2 |
| 0013 | 00001.000 | 0994391-0001 | JUMPER, BRIDGE 4 INCH 1225-1391-000 EA |
| 0014 | 00001.000 | 0994391-0002 | JUMPER, BRIDGE 7 INCH 1225-2391-000 EA |
| 0015 | 00001.000 | 0994192-0001 | JUMPER AC POWER SWITCH IN 1215-1192-003 EA |
| 0016 | REF | 0994384-9901 | SCHEMATIC DIAG, AC POWER MODULE EA |
| 0018 | 00001.000 | 0972988-0031 | SCREW 6-32 X .625 PAN HEAD CRES EA |
| 0019 | 00001.000 | 0411104-0136 | WASHER, LOCK-SPRING, HELICAL, #6 QPL - MS35338-136 EA |
| 0020 | 00009.000 | 0411101-0059 | LOCKWASHER # 8 EXTERNAL TOOTH CRES QPL - MS35335-59 EA |
| 0022 | 00006.000 | 0411115-0034 | NUT, PLAIN 8-32 UNC-2B HEX CRES QPL - MS35649-284 EA |
| 0023 | 00004.000 | 0411104-0137 | WASHER, LOCK-SPRING, HELICAL, #8 QPL - MS35338-137 EA |
| 0024 | 00004.000 | 0411027-0807 | WASHER, #8 FLAT, CRES, .188 X .375 X .049 QPL - MS15795-807 EA |
| 0025 | 00000.000 | 0994262-0001 | COVER, TRANSFORMER EA |
| 0027 | 00001.000 | 0994387-0002 | JUMPER, AC POWER 1225-2387-000 EA |
| 0028 | 00001.000 | 0994387-0003 | JUMPER, AC POWER 1225-3387-000 EA |

LIST OF MATERIALS

07/15/81

| | | |
|--------------|-----|-------------------|
| PART NUMBER | REV | DESCRIPTION..... |
| 0994373 0001 | G | A.C. POWER MODULE |

| ITEM. | QUANTITY. | COMPONENT.. | DESCRIPTION..... | UM |
|-------|-----------|--------------|--|----|
| 0029 | 00001.000 | 0994387-0004 | JUMPER,AC POWER 1225-4387-000 | EA |
| 0030 | 00001.000 | 0994387-0005 | JUMPER,AC POWER 1225-5387-000 | EA |
| 0031 | REF | 0994396-9901 | PROCEDURE,SITE & DATE CODE SERIALIZATION | EA |
| 0032 | AR | 0415886-0003 | GREASE,SILICONE,HEAT COND. CUR - DC 340 | TU |
| 0033 | 00006.000 | 0418212-0001 | STRAP, TIEDOWN, ADJUSTABLE, BLACK | EA |
| 0034 | REF | 0994417-9901 | WIRE LIST,CABLE-TRANSFORMER | EA |
| 0035 | REF | 0997021-9901 | TEST PROCEDURE,AC P/S | EA |
| 0036 | 00001.000 | 0994433-0001 | COVER,TRANSFCRMER 1680-0433-000 | EA |
| 0037 | 00004.000 | 0972988-0041 | SCREW 8-32 X .250 PAN HEAD CRES | EA |

07/15/81

| | | |
|--------------|-----|--------------------------|
| PART NUMBER | REV | DESCRIPTION..... |
| 0994373-8001 | G | AC POWER MODULE ASSEMBLY |

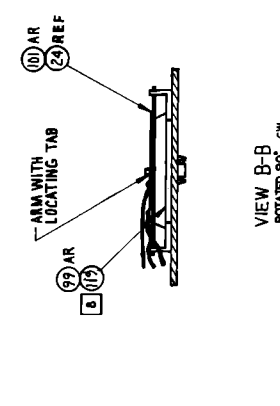
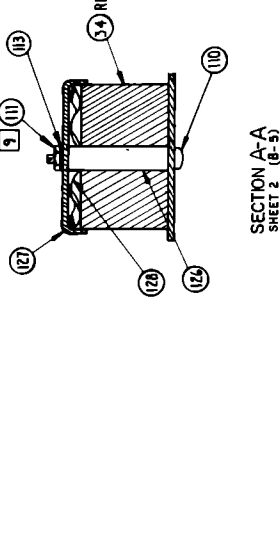
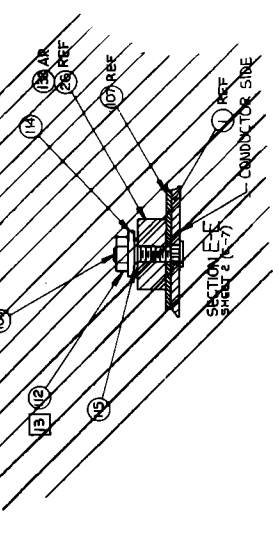
| ITEM. | QUANTITY. | COMPONENT.. | DESCRIPTION..... | UM |
|-------|-----------|--------------|------------------------------------|----|
| 0001 | 00001.000 | 0994373-0001 | A.C. POWER MODULE 1225-1373-000 | EA |

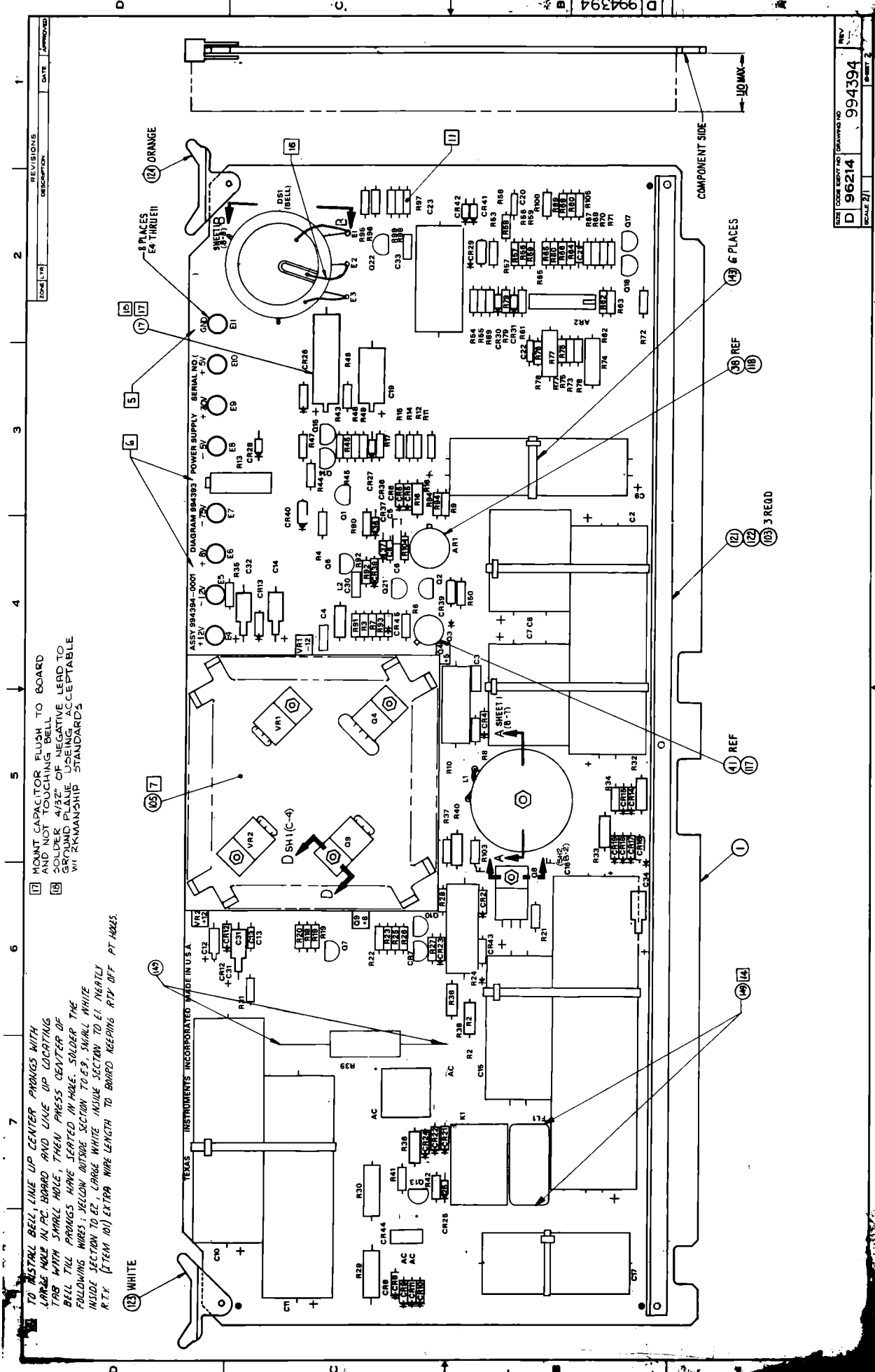
| REV | DESCRIPTION | DATE | APPROVED |
|-----|-------------------------------|---------|----------|
| 1 | 994394 | | |
| 2 | CM 495621 (D)REKHA SETH | 8-14-79 | D. SETH |
| 3 | (D) LM AND FD-2 DELE ITEM 133 | 8/30/79 | 3. QTY 8 |

- 6 MARK APPROPRIATE REVISION LETTER IN LOCATION SHOWN PER PROCESS 1 AND REVISION LEVEL BLOCK
- 7 HEIGHTS MUST BE SQUARELY ON LOCATION AND MUST NOT TOUCH AND SHORT OUT ADJACENT COMPONENT LEADS OR CONDUCTOR RUNS
- 8 MOUNT DISC (ITEM 24) TO SUPPORT ITEM (ITEM 10) USING SOLDER (ITEM 10)
- 9 3 POSTS ON SUPPORT USED TO CENTER DISC. DISC SHOULD NOT TOUCH POSTS ON SUPPORT.
- 10 TORQUE TO 3.1 INCH-POUNDS
- 11 TORQUE TO 28.2 INCH-POUNDS
- 12 TORQUE TO 3.1 INCH-POUND MAX
- 13 TORQUE TO 28.2 INCH-POUND MAX
- 14 APPROXIMATELY 1/8" LENGTH OF TUBING ON EACH LEAD
- 15 ITEM 150 CONSISTS OF COMPONENTS WHICH ARE ROUTED, INSERTED AND ARE CONTAINED IN THE 5000 SERIES GA.

- 1 MARK ALL CORN FINERS ON BOTH SIDES OF BOARD, WHEN SOLDERING TO PREVENT SOLDER FROM WICKING DOWN CORN FINERS
- 2 MARK ASSEMBLY SITE/DATE CODE IN LOCATION SHOWN PER PROCESS 1 AND ITEM 133 PARA 6 APPH 4.0
- 3 DO NOT SOLDER ON COMPONENT SIDE
- 4

- NOTES: UNLESS OTHERWISE SPECIFIED:
 - 1. MAX. LEAD LENGTH TO BE .042 FROM CONDUCTOR SIDE OF BOARD
 - 2. DO NOT SOLDER ON COMPONENT SIDE





- 17 MOUNT CAPACITOR FLUSH TO BOARD AND NOT TOUCHING BELL
- 18 SOLDER 4/32" OF NEGATIVE LEAD TO GROUND PLATE USING ACCEPTABLE WIRE KEMMANSHIP STANDARDS

TO INSTALL BELL LINE UP CENTER PHINGS WITH LARGE HOLE IN PC BOARD AND LINE UP LOCATING TAB WITH SMALL HOLE, THEN PRESS CENTER OF BELL TILL PHINGS HAVE SEATED IN HOLE. SOLDER THE FOLLOWING WIRES: YELLOW OUTSIDE SECTION TO E9, SMALL WHITE INSIDE SECTION TO E2, LARGE WHITE INSIDE SECTION TO E1. TREATLY R.T.Y. (TEAM 00) EXTRA WIRE LENGTH TO BOARD KEEPING RIV OFF PT H025.

| REV | DATE | DESCRIPTION |
|-----|------|-------------|
| 1 | | |
| 2 | | |
| 3 | | |
| 4 | | |
| 5 | | |
| 6 | | |
| 7 | | |

| | | |
|-----|-------|-------------|
| REV | DATE | DESCRIPTION |
| D | 96214 | 994394 |
| 1 | | |
| 2 | | |

List of Materials

05/12/84

| PART NUMBER | REV | DESCRIPTION..... | UM | |
|--------------|-----------|------------------|---|----|
| 0994394-0001 | V | POWER SUPPLY | | |
| ITEM. | QUANTITY. | COMPONENT.. | DESCRIPTION..... | UM |
| 0002 | REF | 0994392-9901 | ELECTRONIC SCHEMATIC DIAG,POWER SUPPLY | EA |
| 0003 | REF | 0987412-9901 | REVISION LEVEL STATUS,MC810/ATS | EA |
| 0004 | 00001.000 | 0972965-0004 | CAP FIX CERAMIC 2200 PF 10% 200V | EA |
| 0004A | | | QPL - CK06BX222K C33 QPL - CK06BX222K | |
| 0005 | 00001.000 | 0972663-0001 | NETWORK,LM339N | EA |
| 0005A | | | AR2 | |
| 0007 | 00002.000 | 0972929-0385 | CAP FIX CERAMIC 220 PF 10% 200V | EA |
| 0007A | | | SEE - TI DRAWING C5,C33 SEE - TI DRAWING | |
| 0008 | 00001.000 | 0972965-0012 | CAP FXD .010UF,10%,200V, CERAMIC | EA |
| 0008A | | | QPL - CK06BX103K C3 QPL - CK06BX103K | |
| 0010 | 00001.000 | 0972965-0024 | CAP FXD .100UF,10%,100V, CERAMIC | EA |
| 0010A | | | QPL - CK06BX104K C4 QPL - CK06BX104K | |
| 0012 | 00001.000 | 0419051-0474 | CAP FIX FILM FOIL .470 UF 5% 200VDC | EA |
| 0012A | | | TRW - 663UM C23 TRW - 663UM | |
| 0015 | 00001.000 | 0996335-0001 | CAP FIXED 12.0MF 100V | EA |
| 0015A | | | C17 | |
| 0016 | 00001.000 | 0972924-0011 | CAP FIX TANT SOLID 68 MFD 10 % 15 VOLT | EA |
| 0016A | | | QPL -M39003/1-2274 C19 QPL -M39003/1-2274 | |
| 0017 | 00001.000 | 0996681-0002 | CAP,AL-ELECTRCLYTIC,15V,100GMFD,.38 CHMS | EA |
| 0017A | | | 09J201-SEE DRAWING C18 QPL -M39003/1-2277 | |
| 0018 | 00001.000 | 0996479-0001 | CAP,FIXED 85JMF 125V | EA |
| 0018A | | | 052689-6040186 C16 052689-6040186 | |
| 0019 | 00001.000 | 0972931-0093 | CAP FIXED 1000 UF 50VDC -10/0R+75% | EA |
| 0019A | | | SPR - 6040102G050HP C2 SPR - 6040102G050HP | |
| 0020 | 00002.000 | 0507315-0033 | CAP 1500 UF 40V 45% | EA |
| 0020A | | | -39D158G040HP5 C10 C11 -39D158G040HP5 | |
| 0021 | 00001.000 | 0972931-0025 | CAP FIXED 1700 10V ALUM LOW IMPEDANCE | EA |
| 0021A | | | C15 | |
| 0022 | 00002.000 | 0996326-0001 | CAPACITOR 2200UF 12 DCWV ELECTRCLYTIC | EA |
| 0022A | | | 001939-6730228H012JE5 C7,C8 001939-6730228H012JE5 | |
| 0023 | 00001.000 | 0972931-0016 | CAPACITOR 440UF-10/+75% 7.5V | EA |
| | | | SEE - TI DRAWING | |

List of Materials

05/12/84

| PART NUMBER | REV | DESCRIPTION..... | |
|--------------|-----------|------------------|--|
| J994394-J001 | V | POWER SUPPLY | |
| ITEM. | QUANTITY. | COMPONENT.. | DESCRIPTION..... UM |
| J023A | | | C9 SEE - TI DRAWING |
| 0024 | 00001.000 | 0972461-0001 | DISC,SOUND-PIEZO-ELECT 3200 +/- 600 HZ EA |
| J024A | | | SEE - TI DRAWING |
| 0025 | 00001.000 | 0996329-0001 | DS1 SEE - TI DRAWING |
| J025A | | | IC,TL430CLP PROGRAMMABLE SHUNT,REGULATOR EA SEE TI- DRAWING |
| 0026 | 00001.000 | 0996318-0001 | CR7 SEE TI- DRAWING |
| J026A | | | BRIDGE RECTIFIER,2AMP FULL-WAVE EA U27777-VS248 |
| J029 | 00001.000 | 0996281-0006 | CR20 027777-VS248 |
| 0029A | | | RECTIFIER,SS3892/UES1302,V(R)100V I(O)6A EA 014099-SS3892 |
| 0034 | 00001.000 | 0996322-0001 | CR4 014099-SS3892 |
| J034A | | | INDUCTOR FIXED 205UH EA GFS - 76205-1 |
| 0035 | 00003.000 | 0972057-0001 | L1 GFS - 76205-1 |
| 0035A | | | TRANSISTOR-A5T2222 NPN SILICON EA 1640-2132-000 |
| 0036 | 00004.000 | 0996337-0001 | Q6 Q18 Q22 1640-2132-000 |
| J036A | | | XST A5T2243 EA TI -A5T2243 |
| J037 | 00005.000 | 0800523-0001 | Q1 Q2 Q7 Q10 TI -A5T2243 |
| 0037A | | | TRANSISTOR A5T2907 PNP SILICON EA TI- -A5T2907 |
| J038 | 00001.000 | 0222224-0305 | Q13 Q14 Q15 C17 Q21 TI- -A5T2907 |
| 0038A | | | NETWORK LM305H OPERATIONAL AMP EA -LM305H |
| 0039 | 00001.000 | 0972499-0002 | AR1 -LM305H |
| J039A | | | NETWORK,VOLG REG,NEG,3 TERM-(-12V) EA |
| 0040 | 00001.000 | 0996438-0002 | VR1 |
| J040A | | | IC,UA78M12UC VOL REG THREE TERMINAL EA 009404-2UA78M12UC |
| 0041 | 00001.000 | 0996298-0001 | VR2 009404-2UA78M12UC |
| J041A | | | TRANSISTOR,SGD2162 PNP SWITCHING EA TI -SGD2162 |
| 0042 | 00001.000 | 0972962-0002 | Q3 TI -SGD2162 |
| 0042A | | | TRANSISTOR TIP41C POWER AMP & HIGH-SPEED EA TI -TIP41C |
| 0043 | 00001.000 | 0972572-0003 | Q4 TI -TIP41C |
| J043A | | | TRANSISTOR,TIP122 SILICON NPN DARLINGTON EA TI -TIP122 |
| 0044 | 00001.000 | 0996383-0011 | Q9 TI -TIP122 |
| | | | DIODE UZ8818 ZENER,1 WATT EA 012969-UZ8818 |

List of Materials

05/12/84

| PART NUMBER | REV | DESCRIPTION..... | UM | |
|--------------|-----------|------------------|---|----|
| 0994394-0001 | V | POWER SUPPLY | | |
| ITEM. | QUANTITY. | COMPONENT.. | DESCRIPTION..... | UM |
| 0044A | | | CR37 012969-UZ8818 | |
| 0069 | 00001.000 | 0996274-0002 | RES 2.00 OHM .25 W 1% FIXED W/W PWR | EA |
| 0069A | | | 001686-T-1/2A R20 | |
| 0070 | 00001.000 | 0539373-0323 | RESISTOR, 226 OHMS 1% 3/8W FX, FILMED | EA |
| 0070A | | | 024546-NA60 1/ R53 | |
| 0071 | 00001.000 | 0996272-0003 | RES 0.12 OHM 5 W 1% FIXED W/W PWR | EA |
| 0071A | | | 001686-NT-5-74 R10 | |
| 0097 | 00001.000 | 0972947-0089 | RES FIX 10 K OHM 5% .5 W CARBON FILM | EA |
| 0097A | | | RGH - R-50 R2 | |
| 0098 | 00002.000 | 0972978-0103 | RES FIXED COMP 1.2K 1 WATT 5% | EA |
| 0098A | | | CPL - RCR32G122JS R29 R30 CPL - RCR32G122JS | |
| 0099 | AR | 0417200-0004 | PRIMER, SILICONE RUBBER-RED | PT |
| 0100 | 00001.000 | 0972832-0273 | RES FIX 68.1 OHMS 1% 7W | EA |
| 0100A | | | R24 | |
| 0101 | AR | 0417559-0001 | COMPOUND, INS, ELEC (RTV) DOW 3140 | TU |
| 0102 | 00001.000 | 0972942-0026 | RES FIX 4.70 K OHMS 5% 5 WATT WIREWOUND | EA |
| 0102A | | | GHM - 995-4641 R30 | |
| 0103 | 00003.000 | 0972684-0032 | SCREW, THD FRMG, HEX WSHR HD, 2-56X1/4 LG | EA |
| 0104 | 00001.000 | 0539795-0007 | RES VAR CERMET 1.0 K OHMS 10% .75 WATT | EA |
| 0104A | | | BOU - 3069P-1-102 R13 | |
| 0105 | 00001.000 | 0996332-0003 | HEATSINK MULTIPLE DVC TC-66 CASE 12318-3 | EA |
| 0106 | 00001.000 | 0996331-0001 | RELAY, SPNO 3 AMP 12 VDC | EA |
| 0106A | | | 082415-27A21012 K1 | |
| 0108 | 00005.000 | 0972355-0003 | STUD, CL INCH, .375 LONG, BRONZE | EA |
| 0110 | 00001.000 | 0972988-0121 | SCREW 4-40 X.1.12 PAN HEAD CRES | EA |
| 0111 | 00006.000 | 0411115-0044 | NUT, 4-40 HEXAGON CRES STEEL | EA |
| 0113 | 00006.000 | 0411101-0057 | LOCKWASHER # 4 EXTERNAL TOOTH CRES | EA |
| 0117 | 00001.000 | 0184262-0001 | PAJ, MOUNTING, TC-5, 4 LEAD, RED | EA |
| 0118 | 00001.000 | 0537402-0001 | THR - 7717-5 | EA |
| | | | OBsolete REPLACED BY 538622.65 | EA |
| | | | THR - 7717-122A | |

List of Materials

05/12/84

| PART NUMBER | REV | DESCRIPTION..... | |
|--------------|-----------|------------------|--|
| 0994394-0001 | V | POWER SUPPLY | |
| ITEM. | QUANTITY. | COMPONENT.. | DESCRIPTION..... UM |
| 0119 | 00001.000 | 0983916-0001 | SUPPORT, TONE GENERATOR 1255-0073-025 EA |
| 0121 | 00001.000 | 0965239-0001 | BRACKET-STIFFENER, PWB, 14IN 1679-0239-041 EA |
| 0122 | 00001.000 | 0966486-0001 | INSULATOR PWB STIFFENER 1679-0486-000 EA |
| 0123 | 00001.000 | 0413277-0001 | EJECTOR, PCB, NON-LOCKING, WHITE SCA -S-200(NATURAL) EA |
| 0124 | 00001.000 | 0413277-0004 | EJECTOR, PCB, NON-LOCKING, CRANGE SCA -S-200(ORANGE) EA |
| 0125 | 00001.000 | 0996330-0001 | NETWORK 22 OHMS 10% #22 AWG SOLID LEADS EA |
| 0125A | | | FL1 |
| 0126 | 00001.000 | 0416925-0411 | SPACER #4 3/16 X .020 SCREW & BOLT EA |
| 0127 | 00001.000 | 0972306-0002 | COVER ROUND EA |
| 0128 | 00001.000 | 0972621-0002 | SPRING RING 5360-2000-000 EA |
| 0132 | 00001.000 | 0972946-0061 | RES FIX 680 OHM 5% .25 W CARBON FILM EA |
| 0132A | | | R0H - R-25 |
| | | | R2J |
| 0136 | 00001.000 | 0996450-0001 | TRANSISTOR TIP115, P-N-P CARLINGTON EA |
| 0136A | | | 001295-TIP115 |
| | | | QB |
| 0137 | 00000.000 | 0972806-0003 | DIODE VM18 BRIDGE, DUAL-IN-LINE, 1 AMP EA |
| 0137A | | | -VM18 |
| 0137B | | | ITEM 137 (QTY 1) CR44 MAY |
| 0137C | | | -VM18 |
| 0137D | | | BE USED AS AN ALTERNATE |
| | | | -VM18 |
| 0137E | | | FOR ITEM 30 (QTY 4) CR8, |
| | | | -VM18 |
| 0137F | | | CR9, CR10, AND CR11 ONLY |
| | | | -VM18 |
| 0139 | REF | 0994396-9901 | PROCEDURE, SITE & DATE CODE SERIALIZATION EA |
| 0140 | 00001.000 | 0411101-0061 | LOCKWASHER 1/4 EXTERNAL TOOTH CRES EA |
| | | | QPL - MS35335-61 |
| 0143 | 00006.000 | 0972632-0005 | STRAP, TIE DOWN, CABLE-NON-STANDARD EA |
| | | | PND - 5ST31 |
| 0147 | 00004.000 | 0996521-0010 | INSULATOR, .147DIA .750LG .500W EA |
| | | | 095285-7403-09FR-54 |
| 0148 | 00004.000 | 0972628-0019 | WASHER, #4 ID .118 OD .250 EA |
| | | | 091201-5607-50 |
| 0149 | AR | 0410499-0011 | INSULATION SLEEVING, TEFLON #12 NATURAL FT |
| 0150 | 00001.000 | 0994394-5001 | AUTO-INSERTED PARTS LIST FOR 994394-1 EA |
| | | | 0000-0000-000 |
| 0151 | AR | 0415886-0003 | GREASE, SILICONE, HEAT COND. TU |
| | | | CCR - DC 340 |
| 9998 | 00001.000 | 0235599-9998 | COST, AS REQUIRED EA |
| 9999 | 00002.000 | 0239999-9999 | COST, SHRINKAGE EA |

List of Materials

05/12/84

| PART NUMBER | REV | DESCRIPTION..... | UM | |
|--------------|-----------|---------------------------------------|---|----|
| 0994394-5001 | V | AUTC-INSERTED PARTS LIST FOR 994354-1 | | |
| ITEM. | QUANTITY. | COMPONENT.. | DESCRIPTION..... | UM |
| 0001 | 0001.000 | 0994393-0001 | PWB, POWER SUPPLY | EA |
| 0002 | 0002.000 | 0972460-0006 | DIODE E7918, SILICON, ZENER-1.8 | EA |
| 0002A | | | 075222-E7918 CR16 CR29 | |
| 0003 | 0009.000 | 0972932-0001 | DIODE IN9140 | EA |
| 0003A | | | SEE TI- DRAWING CR25 CR27 CR30 CR31 CR36 | |
| 0003B | | | SEE TI- DRAWING CR37 CR38 CR41 CR42 | |
| 0004 | 0001.000 | 0539468-0002 | DIODE, IN4002 LAMP 100PIV RECTIFIER | EA |
| 0004A | | | TI - IN4002 CR2 CR5 CR6 CR8 CR9 | |
| 0004B | | | TI - IN4002 CR10 THRU CR15 CR17 CR18 | |
| 0004C | | | CR19 CR21 CR22 CR23 CR26 | |
| 0004D | | | TI - IN4002 CR28 CR43 CR45 | |
| 0005 | 0001.000 | 0539812-0050 | RES, FIXED 239 OHMS .1% MF 1/8W | EA |
| 0005A | | | TI -MC55C R55 | |
| 0006 | 0001.000 | 0539812-0049 | RES, FIXED 761 OHMS .1% MF 1/8W | EA |
| 0006A | | | TI -MC55C R54 | |
| 0007 | 0001.000 | 0539812-0052 | RES FIXED 1.19K OHMS .1% | EA |
| 0007A | | | TI -MC55C R78 | |
| 0008 | 0001.000 | 0539812-0051 | RES FIXED 3.42K OHMS .1% | EA |
| 0008A | | | TI -MC55C R75 | |
| 0009 | 0002.000 | 0539812-0057 | RES FIXED 10K OHMS .1% | EA |
| 0009A | | | TI -MC55C R73 R76 | |
| 0010 | 0001.000 | 0539370-0346 | RES FIX FILM 392 OHM 1% .25 WATT | EA |
| 0010A | | | CCR - NA55 R59 | |
| 0011 | 0001.000 | 0539370-0364 | RES FIX FILM 604 OHM 1% .25 WATT | EA |
| 0011A | | | CCR - NA55 R60 | |
| 0012 | 0001.000 | 0539370-0369 | RES FIX FILM 681 OHM 1% .25 WATT | EA |
| 0012A | | | CCR - NA55 R46 | |
| 0013 | 0002.000 | 0539370-0385 | RES FIX FILM 1.00K OHM 1% .25 WATT | EA |
| 0013A | | | CCR - NA55 R27 R57 | |
| 0014 | 0001.000 | 0539370-0434 | RES FIX FILM 3.24K OHM 1% .25 WATT | EA |
| 0014A | | | CCR - NA55 R14 | |

List of Materials

05/12/84

| PART NUMBER | REV | DESCRIPTION..... | UM |
|--------------|-----------|--|----|
| 0994394-5001 | V | AUTO-INSERTED PARTS LIST FOR 994394-1 | |
| ITEM. | QUANTITY. | COMPONENT.. DESCRIPTION..... | UM |
| 0015 | 00001.000 | 0539370-0450 RES FIX FILM 4.75K OHM 1% .25 WATT COR - NA55 | EA |
| 0015A | | R43 | |
| 0016 | 00001.000 | 0539370-0462 RES FIX FILM 6.34K OHM 1% .25 WATT COR - NA55 | EA |
| 0016A | | R12 | |
| 0017 | 00001.000 | 0539370-0481 RES FIX FILM 10.0K OHM 1% .25 WATT COR -NA55D-100PPM/C | EA |
| 0017A | | R45 COR -NA55D-100PPM/C | |
| 0018 | 00001.000 | 0539370-0577 RES FIX FILM 100 K OHM 1% .25 WATT COR - NA55 | EA |
| 0018A | | R56 COR - NA55 | |
| 0019 | 00002.000 | 0972936-0414 RES 1.00 M-OHM .125w 1% FIXED FILM 81349R-NC55H10J4FM | EA |
| 0019A | | R62 R66 | |
| 0020 | 00002.000 | 0972937-0419 RES 1.13 M-OHM .25 W 1% FIXED FILM 81349R-NC60H11J4FM | EA |
| 0020A | | R74 R77 | |
| 0021 | 00002.000 | 0972946-0017 RES FIX 10.0 OHM 5 % .25 W.CARBON FILM R0H - R-25 | EA |
| 0021A | | R7 R99 | |
| 0022 | 00001.000 | 0972946-0027 RES FIX 27.0 OHM 5 % .25 W.CARBON FILM R0H - R-25 | EA |
| 0022A | | R11 R15 R23 | |
| 0023 | 00001.000 | 0972946-0034 RES FIX 51.0 OHM 5 % .25 W.CARBON FILM R0H - R-25 | EA |
| 0023A | | R93 | |
| 0024 | 00007.000 | 0972946-0041 RES FIX 100 OHM 5 % .25 W CARBON FILM R0H - R-25 | EA |
| 0024A | | R50 R58 R69 R79 R100 R104 | |
| 0024B | | R0H - R-25 | |
| 0025 | 00001.000 | 0972946-0048 RES FIX 200 OHM 5 % .25 W CARBON FILM R0H - R-25 | EA |
| 0025A | | R47 | |
| 0026 | 00003.000 | 0972946-0057 RES FIX 470 OHM 5 % .25 W CARBON FILM R0H - R-25 | EA |
| 0026A | | R63 R71 R72 | |
| 0027 | 00011.000 | 0972946-0065 RES FIX 1.0K OHM 5% .25 W CARBON FILM R0H - R-25 | EA |
| 0027A | | R4 R17 R19 R21 R25 R31 R34 | |
| 0027B | | R0H - R-25 | |
| 0028 | 00001.000 | 0972946-0058 RES FIX 510 OHM 5 % .25 W CARBON FILM R0H - R-25 | EA |
| 0028A | | R96 | |
| | | R0H - R-25 | |

List of Materials

05/12/84

| PART NUMBER | REV | DESCRIPTION..... | UM | |
|--------------|-----------|---------------------------------------|--|----|
| 0394394-5001 | V | AUTO-INSERTED PARTS LIST FOR 994394-1 | | |
| ITEM. | QUANTITY. | COMPONENT.. | DESCRIPTION..... | UM |
| 0029 | 0004.000 | 0972946-0072 | RES FIX 2.0K OHM 5 % .25 W CARBON FILM RCH - R-25 | EA |
| 0029A | | | R49 R63 R89 R92 ROH - R-25 | |
| 0030 | 0003.000 | 0972946-0073 | RES FIX 2.2K OHM 5 % .25 W CARBON FILM RCH - R-25 | EA |
| 0030A | | | R67 R70 R41 ROH - R-25 | |
| 0031 | 0001.000 | 0972946-0082 | RES FIX 5.1K OHM 5 % .25 W CARBON FILM RCH - R-25 | EA |
| 0031A | | | R90 ROH - R-25 | |
| 0032 | 0006.000 | 0972946-0089 | RES FIX 10K OHM 5% .25 W CARBON FILM 1658- -000 | EA |
| 0032A | | | R3 R48 R61 R64 R65 R80 1658- -000 | |
| 0033 | 0001.000 | 0972946-0117 | RES FIX 150K OHM 5 % .25 W CARBON FILM ROH - R-25 | EA |
| 0033A | | | R95 ROH - R-25 | |
| 0034 | 0001.000 | 0972946-0031 | RES FIX 39.0 OHM 5 % .25 W CARBON FILM ROH - R-25 | EA |
| 0034A | | | R98 ROH - R-25 | |
| 0035 | 0003.000 | 0972947-0017 | RES FIX 10 OHM 5 % .5 W CARBON FILM ROH - R-50 | EA |
| 0035A | | | R16 R32 R36 ROH - R-50 | |
| 0036 | 0001.000 | 0972946-0053 | RES FIX 330 OHM 5 % .25 W CARBON FILM ROH - R-25 | EA |
| 0036A | | | R44 ROH - R-25 | |
| 0037 | 0001.000 | 0972934-0012 | DIODE, 1N757A 9.1 V 5% SIL VCLT REG CPL - 1N757A | EA |
| 0037A | | | CR40 CPL - 1N757A | |
| 0038 | 0004.000 | 0972763-0025 | CAPACITOR, .10UF 50V FX, CERAMIC DIEL COR CA-C03250104ZJ50A | EA |
| 0038A | | | C13 C20 C21 C22 CGR CA-C03250104Z050A | |
| 0039 | 0001.000 | 0538429-0020 | COIL RF 220 OH 7.5 CHM 103 MA LT10K CPL - MS90538-20 | EA |
| 0039A | | | L2 CPL - MS90538-20 | |
| 0040 | 0001.000 | 0418356-2344 | CAP FIX 0.22 MF 50V 10% TANTALUM SOLID SEE TI- DRAWING | EA |
| 0040A | | | C12 SEE TI- DRAWING | |
| 0041 | 0004.000 | 0972924-0018 | CAP FIX TANT SOLID 6.8 UFD 10 % 35 VCLT CPL -M39003/1-2304 | EA |
| 0041A | | | C14, C31, C32, C34 CPL -M39003/1-2304 | |
| 0042 | 0001.000 | 0972763-0013 | CAP, FIXED .010UF 50 VOLTS 004222-MC105E103Z | EA |
| 0042A | | | C6 004222-MC105E103Z | |
| 0044 | 0001.000 | 0539468-0003 | DIODE, 1N4003 1AMP 200FIV RECTIFIER TI - 1N4003 | EA |

List of Materials

05/12/84

| PART NUMBER | REV | DESCRIPTION..... | UM | |
|--------------|-----------|---------------------------------------|---|----|
| 0994394-5001 | V | AUTO-INSERTED PARTS LIST FOR 994354-1 | | |
| ITEM. | QUANTITY. | COMPONENT.. | DESCRIPTION..... | UM |
| J044A | | | CR24 TI - 1N4003 | |
| 0045 | 00001.000 | 0972946-0015 | RES FIX 8.2 OHM 5% .25W CARBON FILM ROH - R-25 | EA |
| 0045A | | | R9 ROH - R-25 | |
| 0047 | 00001.000 | 0539370-0428 | RES FIX FILM 2.80K OHM 1% .25 WATT COR - NA55 | EA |
| J047A | | | R26 COR - NA55 | |
| 0049 | 00001.000 | 0972946-0005 | RES FIX 3.30 OHM 5% .25 W CARBON FILM 1271- -000 | EA |
| J049A | | | R94 1271- -000 | |
| 0050 | 00001.000 | 0972946-0043 | RES FIX 120 OHM 5% .25 W CARBON FILM ROH - R-25 | EA |
| J050A | | | R6 ROH - R-25 | |
| 0051 | 00001.000 | 0972946-0063 | RES FIX 820 OHM 5% .25 W CARBON FILM ROH - R-25 | EA |
| J051A | | | R22 ROH - R-25 | |
| 0052 | 00001.000 | 0972946-0139 | RES FIX 1.2M OHM 5% .25 W CARBON FILM ROH - R-25 | EA |
| 0052A | | | R91 ROH - R-25 | |
| 0053 | 00001.000 | 0972947-0050 | RES FIX 240 OHM 5% .5 W CARBON FILM ROH - R-50 | EA |
| J053A | | | R33 ROH - R-50 | |
| 0054 | 00001.000 | 0972947-0053 | RES FIX 330 OHM 5% .5 W CARBON FILM ROH - R-50 | EA |
| J054A | | | R8 ROH - R-50 | |
| 0055 | 00001.000 | 0972947-0057 | RES FIX 470 OHM 5% .5 W CARBON FILM ROH - R-50 | EA |
| J055A | | | R38 ROH - R-50 | |
| J056 | 00001.000 | 0972947-0100 | RES FIX 30 K OHM 5% .5 W CARBON FILM ROH - R-50 | EA |
| 0056A | | | R40 ROH - R-50 | |
| 0057 | 00001.000 | 0972946-0062 | RES FIX 750 OHM 5% .25 W CARBON FILM ROH - R-25 | EA |
| 0057A | | | R18 ROH - R-25 | |

Cont'd from Sheet 1

| PART NUMBER | DESCRIPTION |
|-----------------|--|
| 0994395-8024 | CHAR SET KIT, SPH TEXT EDIT |
| 8023 | SPH F ASC |
| 8020 | KODAK F ASC |
| 8502 | LIBRARY OF MEDICINE, MODIFIED FULL ASC W/VFC |
| 0502 | LIBRARY OF MEDICINE, MODIFIED FULL ASC W/VFC |
| 8501 | UAL, F ASC W/O VFC |
| 0501 | UAL, F ASC W/O VFC |
| 8119 | U.S. F W/VFC, -2 Proc/greater |
| 8019 | U.S. F W/O VFC, -2 Proc/greater |
| 0119 | U.S. F W/VFC, -2 Proc/greater |
| 8117 | SWED SPC W/VFC |
| 8116 | SPC KTKNA W/VFC |
| 8115 | KATAKANA W/VFC |
| 8114 | GER F ASC W/VFC |
| 8113 | S/F F ASC W/VFC |
| 8112 | D/H F ASC W/VFC |
| 8111 | ENG F ASC W/VFC |
| 8110 | U.S. F ASC W/VFC INACTIVE |
| 8108 | EXP L ASC W/VFC |
| 8104 | GER L ASC W/VFC |
| 8103 | S/F L ASC W/VFC |
| 8102 | D/H L ASC W/VFC |
| 8101 | ENG L ASC W/VFC |
| 8017 | CARS SPEC W/O VFC |
| 8016 | SPC KTKNA W/O VFC |
| 8015 | KATAKANA W/O VFC |
| 8014 | GER F ASC W/O VFC |
| 8013 | S/F F ASC W/O VFC |
| 8012 | D/H F ASC W/O VFC |
| 8011 | ENG F ASC W/O VFC |
| 8010 | USF W/ or W/O VFC, -1 Proc only |
| 8008 | EXP L ASC W/O VFC |
| 8004 | GER L ASC W/O VFC |
| 8003 | S/F L ASC W/O VFC |
| 8002 | D/H L ASC W/O VFC |
| 8001 | ENG L ASC W/O VFC |
| 0117 | SWED SPC W/VFC |
| 0116 | SPC KTKNA W/VFC |
| 0115 | KATAKANA W/VFC |
| 0114 | GER F ASC W/VFC |
| 0113 | S/F F ASC W/VFC |
| 0112 | D/H F ASC W/VFC |
| 0111 | ENG F ASC W/VFC |
| 0110 | US F ASC W/VFC INACTIVE |
| 0108 | EXP L ASC W/VFC |
| 0104 | GER L ASC W/VFC |
| 0103 | S/F L ASC W/VFC |
| 0102 | D/H L ASC W/VFC |
| 0994395-0101 | CHAR SET KIT, ENG L ASC W/VFC |

TI-4239-E



TEXAS INSTRUMENTS
INCORPORATED
DIGITAL SYSTEMS DIVISION
HOUSTON, TEXAS

A

0994395

SHEET 1.1

REV

6

1.0 SCOPE

This document defines the kits necessary to produce optional character sets for the Model 810 Printer (994292, 994293). These kits consist of PROM's (and ROM's in the KATAKANA w/o VFC kits) which are added to the Processor Board Assy (994244-0002). The exceptions are -0010, 0110, 8010, and 8110, (Revision B only) which are added to the -0001 Processor Board.

The -8XXX kits designate field installed kits (spares).

*The dash number is assigned to the kits in such manner as to indicate whether the character set is LIMITED or FULL ASCII and whether the printer is with or without VFC option.

| | |
|-------|------------------------------------|
| -000X | LIMITED ASCII FOR PRINTERS W/O VFC |
| -800X | |
| -001X | FULL ASCII FOR PRINTER W/O VFC |
| -801X | |
| -010X | LIMITED ASCII FOR PRINTERS W/VFC |
| -810X | |
| -011X | FULL ASCII FOR PRINTERS W/VFC |
| -811X | |
| -05XX | |
| -85XX | SPECIALS |

* The exceptions are the -0010, 0110, 8010, and 8110 (Revision B only) kits which are FULL ASCII for printers with and without VFC for the -0001 Processor Board (994244).



TEXAS INSTRUMENTS
INCORPORATED
DIGITAL SYSTEMS DIVISION
HOUSTON, TEXAS

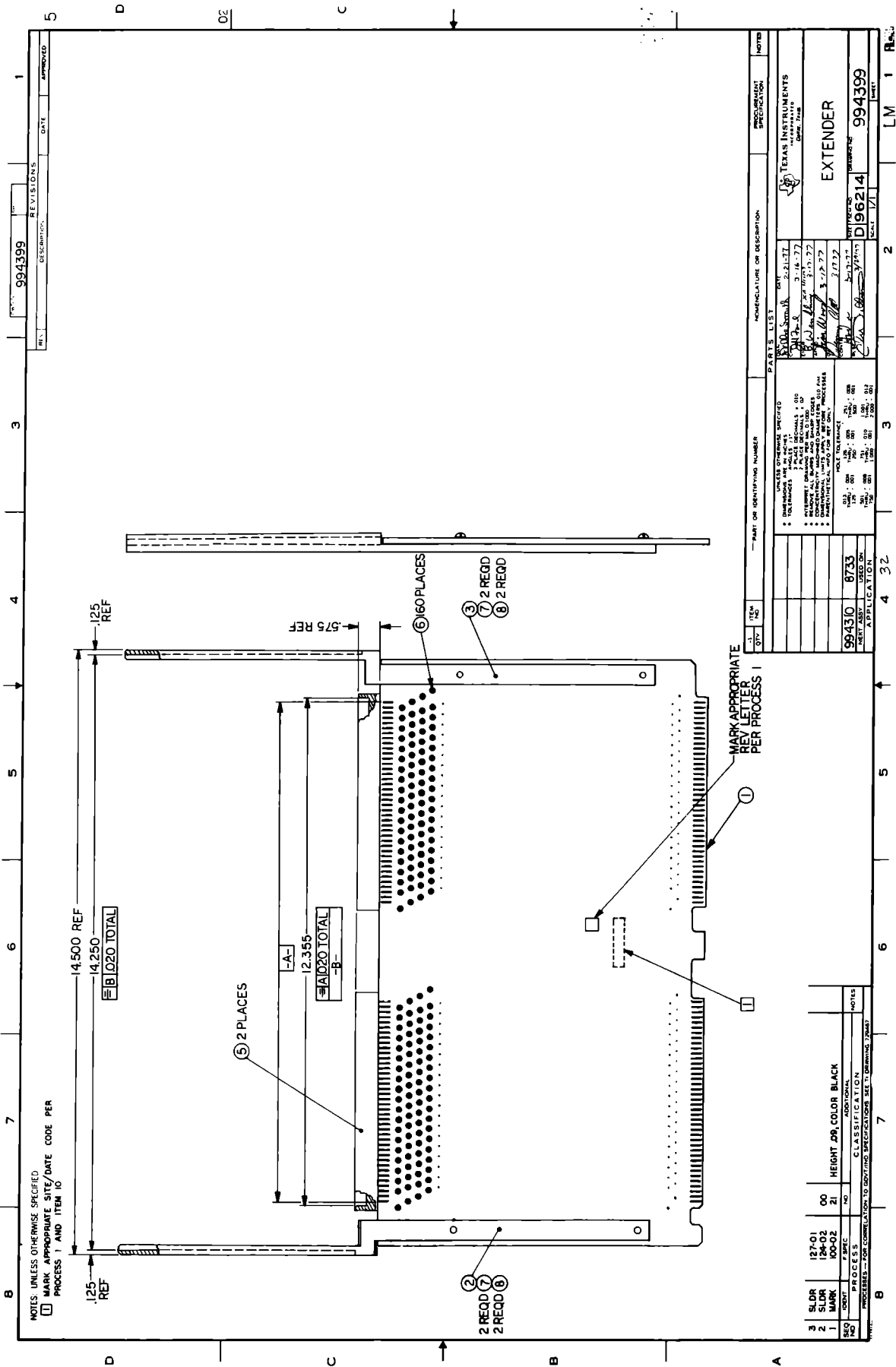
A

994395

SHEET 2

REV

D



NOTES: UNLESS OTHERWISE SPECIFIED:
 MARK APPROPRIATE SITE/DATE CODE PER PROCESS 1 AND ITEM 10

| REV. | DESCRIPTION | DATE | APPROVED |
|------|-------------|------|----------|
| 1 | 994399 | | |

MARK APPROPRIATE REV LETTER PER PROCESS 1

| | | | | |
|---|------|--------|----|-------------------------|
| 3 | SLDR | 137-01 | 00 | HEIGHT .09, COLOR BLACK |
| 2 | SLDR | 134-02 | 21 | |
| 1 | MARK | 100-02 | | |

| ITEM NO. | QTY. | DESCRIPTION | UNIT |
|----------|------|-------------|------|
| 994310 | 8733 | SLDR | 00 |
| 994311 | 1000 | MARK | 01 |

| | | | |
|---|--------|----|-------------------------|
| 1 | 137-01 | 00 | HEIGHT .09, COLOR BLACK |
| 2 | 134-02 | 21 | |
| 3 | 100-02 | | |

PROCESS 1 - FOR CONNECTION TO IDENTIFYING SPECIFICATIONS SEE "I" DRAWING 79047

CLASSIFICATION

APPLICATION

NOTES

994399

LM 1 R

List of Materials

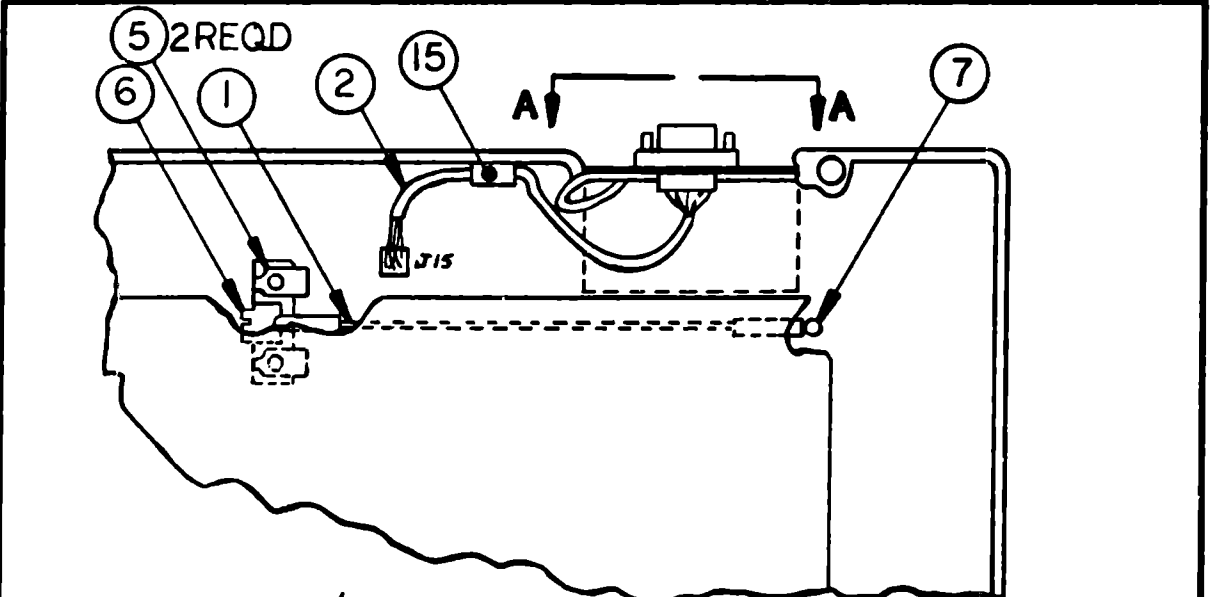
05/12/84

PART NUMBER REV DESCRIPTION.....
 0994397-0001 * EXTENDER

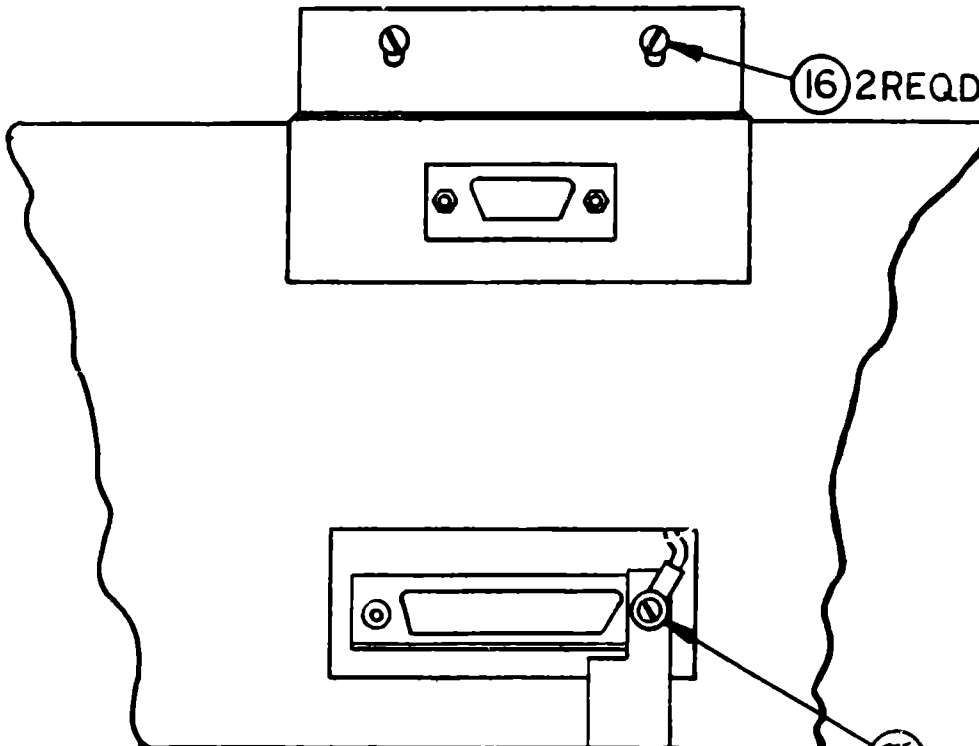
| ITEM. | QUANTITY. | COMPONENT.. | DESCRIPTION..... | UM |
|-------|-----------|--------------|---|----|
| 0001 | 0001.000 | 0994398-0001 | PWB, EXTENDER | EA |
| 0002 | 0001.000 | 0994178-0001 | STIFFNER, EXTENDER CARD-LEFT 1680-1178-0J0 | EA |
| 0003 | 0001.000 | 0994178-0002 | STIFFNER, EXTENDER CARD-RIGHT 1680-2178-000 | EA |
| 0005 | 0002.000 | 0231257-0009 | CONNECTOR PC 80 PIN 011769-00-6313-J80-65 | EA |
| 0006 | 00160.000 | 0411226-0002 | TERMINAL, STUD | EA |
| 0007 | 0004.000 | 0972988-0027 | SCREW 6-32 X .312 PAN HEAD CRES | EA |
| 0008 | 0004.000 | 0411101-0058 | LOCKWASHER #6 EXTERNAL TOOTH CRES CPL - MS35335-58 | EA |
| 0010 | REF | 0994396-9901 | PROCEDURE, SITE & DATE CODE SERIALIZATION | EA |

DWG NO 994402

2
SH



TTY V/F KIT INSTALLATION



VIEW A-A (ROTATED 180° CW)
GROUND WIRE INSTALLATION

| | | | | | | |
|---|---------------------------------|-----------------|------------|------------------|----------------------|----------|
|  TEXAS INSTRUMENTS INCORPORATED Dallas, Texas | DWG BY <i>Paul S. Howard</i> | DATE 7-13-82 | SIZE A | FSCM NO 96214 | DRAWING NO 994402 | REV J |
| | ISSUE DATE | SCALE NONE | SHEET 2 | | | |

List of Materials

01/28/84

| PART NUMBER | REV | DESCRIPTION..... | UM | |
|--------------|-----------|-----------------------------------|--|----|
| 0994402-0001 | J | KIT, CURRENT LOOP, I/F (TTY), 810 | | |
| ITEM. | QUANTITY. | COMPONENT.. | DESCRIPTION..... | UM |
| 0001 | 00001.000 | 2230497-0001 | PWB ASSY, 20MA TTY, 810 1225-1497-004 | EA |
| 0002 | 00001.000 | 0994361-0001 | CABLE ASSY, TTY INTERFACE, 810 1225-1361-051 | EA |
| 0005 | 00002.000 | 0996225-0001 | FASTENER,PUSHNUT,REMOVABLE .185/.190 DIA PAL - PZ001935 | EA |
| 0006 | 00001.000 | 0994294-0001 | CARD GUIDE,CENTER 1255-0028-013 | EA |
| 0007 | 00000.007 | 0231792-0004 | COLOR DOT,YELLOW.250 DIA. 085480-QD25 YELLOW | SH |
| 0012 | REF | 2230792-9701 | INSTALLATION INSTRUCTION,TTY - 810 | EA |
| 0015 | 00001.000 | 0996729-0001 | CLIP,RETAINING,ADHESIVE BACKED 034785-022-0500 | EA |
| 0016 | 00002.000 | 2210084-0014 | SEMS,PNH, SLTD, EXT TOOTH 32UNC-2A,.375L | EA |
| 0017 | 00001.000 | 0539409-0001 | CONNECTOR, RACK & PANEL, PLUG, 9POS | EA |
| 0018 | 00005.000 | 0539430-0003 | CONTACT,PIN 24-20AWG .068 INSUL DIA AMP -205202-2 ST | EA |
| 0019 | 00001.000 | 2210305-0001 | HOOD STRN RLF 45/180DEG,BULK PK 9 POS 000779-2-206478-0 | EA |
| 0021 | 00000.000 | 0411101-0057 | LOCKWASHER # 4 EXTERNAL TOOTH CRES QPL - MS35335-57 | EA |
| 0021A | | | *TO BE USED WITH ITEM 22 | |
| 0022 | 00000.000 | 0972988-0013 | QPL - MS35335-57 SCREW 4-40 X .250 PAN HEAD CRES | EA |
| 0022A | | | *ALTERNATE TO ITEM 25 | |
| 0022B | | | *REQUIRES ITEM 21 | |
| 0023 | 00000.000 | 0994305-0001 | CURRENT LOOP I/F OPTION, 810 1225-1305-034 | EA |
| 0023A | | | *ALTERNATE TO ITEM 1 1225-1305-034 | |
| 0024 | 00000.000 | 0994411-9701 | MANUAL,TTY I/F INSTALLATION 1225-1411-000 | EA |
| 0024A | | | *USED WITH ITEM 23 1225-1411-000 | |
| 0025 | 00001.000 | 2210084-0002 | SEMS SCREW, 4-40X1/4 EXT. TOOTH 1221-2134-000 | EA |

List of Materials

01/28/84

PART NUMBER REV DESCRIPTION.....
 0994403-0001 H CABLE ASSY, CURRENT LOOP


| ITEM. | QUANTITY. | COMPONENT.. | DESCRIPTION..... | UM |
|-------|-----------|--------------|--|----|
| 0001 | 00001.000 | 2210305-0001 | HOOD STRN RLF 45/180DEG,BULK PK 9 POS 000779-2-206478-0 | EA |
| 0002 | 00001.000 | 0539409-0001 | CONNECTOR, RACK & PANEL, PLUG, 9POS | EA |
| 0003 | 00004.000 | 0539430-0003 | CONTACT,PIN 24-20AWG .068 INSUL DIA AMP -205202-2 ST | EA |
| 0004 | 00006.500 | 0972444-0011 | CABLE,4 COND 22 GA .195 OD 092194-5004 | FT |
| 0008 | 00004.000 | 0232358-0001 | LUG,CRIMP,22-16 AWG,SPADE,STRIP-FORM 000779-2-32562-1 | EA |
| 0009 | 00001.000 | 0962571-0005 | PLATE, ID, EDP CABLE | EA |
| 0011 | REF | 0983407-9901 | TEST PROG,MC810 TTY OPTION CABLE-OMN1 | EA |
| 0012 | 00001.000 | 2210317-0001 | LABEL,BLANK,CABLE MARKER 085480-SLPF-19319-4 | EA |

A 994445

| APPLICATION | | REVISIONS | | | |
|-------------|---------|-----------|------------------------------|---------|------------------|
| NEXT ASSY | USED ON | LTR | DESCRIPTION | DATE | APPROVED |
| 994310 | 8733 | A | CN459685(D) <i>W. Dodson</i> | 9/17/79 | <i>W. Dodson</i> |
| | | B | CN454986(D) <i>S. Dodson</i> | 2-25-80 | <i>S. Dodson</i> |
| | | | | | |
| | | | | | |

| | |
|-------------|-----------------------------------|
| 994445-8001 | BAUD RATE OPTION- FIELD INSTALLED |
| 994445-0001 | BAUD RATE OPTION |
| PART NO. | DESCRIPTION |

| REV | SHEET | REV | SHEET |
|-----|-------|-----|-------|
| | | B | A |
| | | 1 | 2 |

| | | | | |
|--|---|--|-------------------------------------|---------------|
| <small>UNLESS OTHERWISE SPECIFIED DIMENSIONS ARE IN INCHES TOLERANCES ANGLES ±1° 3 PLACE DECIMAL ±.010 2 PLACE DECIMAL ±.02</small> <small>IDENTIFYING NUMBERS SHOWN IN PARENTHESES FOR REFERENCE ONLY</small> <small>INTERPRET DWG IN ACCORDANCE WITH MIL-STD-100</small> | <small>DWN</small> <i>W. Dodson</i> 3/23/77 <small>CHK</small> <i>W. Dodson</i> 1-19/78 <small>ENGR</small> <i>W. Dodson</i> 7/20/77 <small>QA</small> <i>H. Schunkel</i> 2/10/78 <small>APVD</small> <i>W. Dodson</i> 7/20/77 <small>CONTR NO</small> <i>W. Dodson</i> 7/20/77 <small>DESIGN ACTIVITY RELEASE</small> 3/6/78 <i>W. Dodson</i> |  TEXAS INSTRUMENTS <small>INCORPORATED</small> Equipment Group Dallas, Texas | | |
| | BAUD RATE OPTION | | | |
| | <small>SIZE</small> A | <small>CODE IDENT NO</small> 96214 | <small>DRAWING NO</small> 994445 | FILMED |
| | <small>SCALE</small> NONE | <small>SHEET</small> 1 OF 2 | | |



1.0 SCOPE:

THIS DOCUMENT DEFINES THE KIT NECESSARY TO PRODUCE OPTIONAL BAUD RATES OF 110, 200, 300, 1200, 2400, 600, AND 9600 FOR THE MODEL 810 PRINTER (994292 , 994293). THIS KIT CONSISTS OF A TMS 5504 I/O AND TIMER DEVICE WHICH REPLACES THE TMS 5501 I/O AND TIMER DEVICE. ~~THE BAUD RATE LABEL (994450) IS ALSO INCLUDED WHICH COVERS THE BAUD RATE PORTION OF THE STANDARD INSTRUCTION LABEL (994352) WHEN THIS KIT IS INSTALLED IN AN 810 SYSTEM.~~



| | | | | |
|--|--|----------|-------------------|-----------------|
| |  TEXAS INSTRUMENTS INCORPORATED DIGITAL SYSTEMS DIVISION HOUSTON, TEXAS | A | 994445 SHEET 2 | REV A |
|--|--|----------|-------------------|-----------------|

4259-E



List of Materials

01/28/84

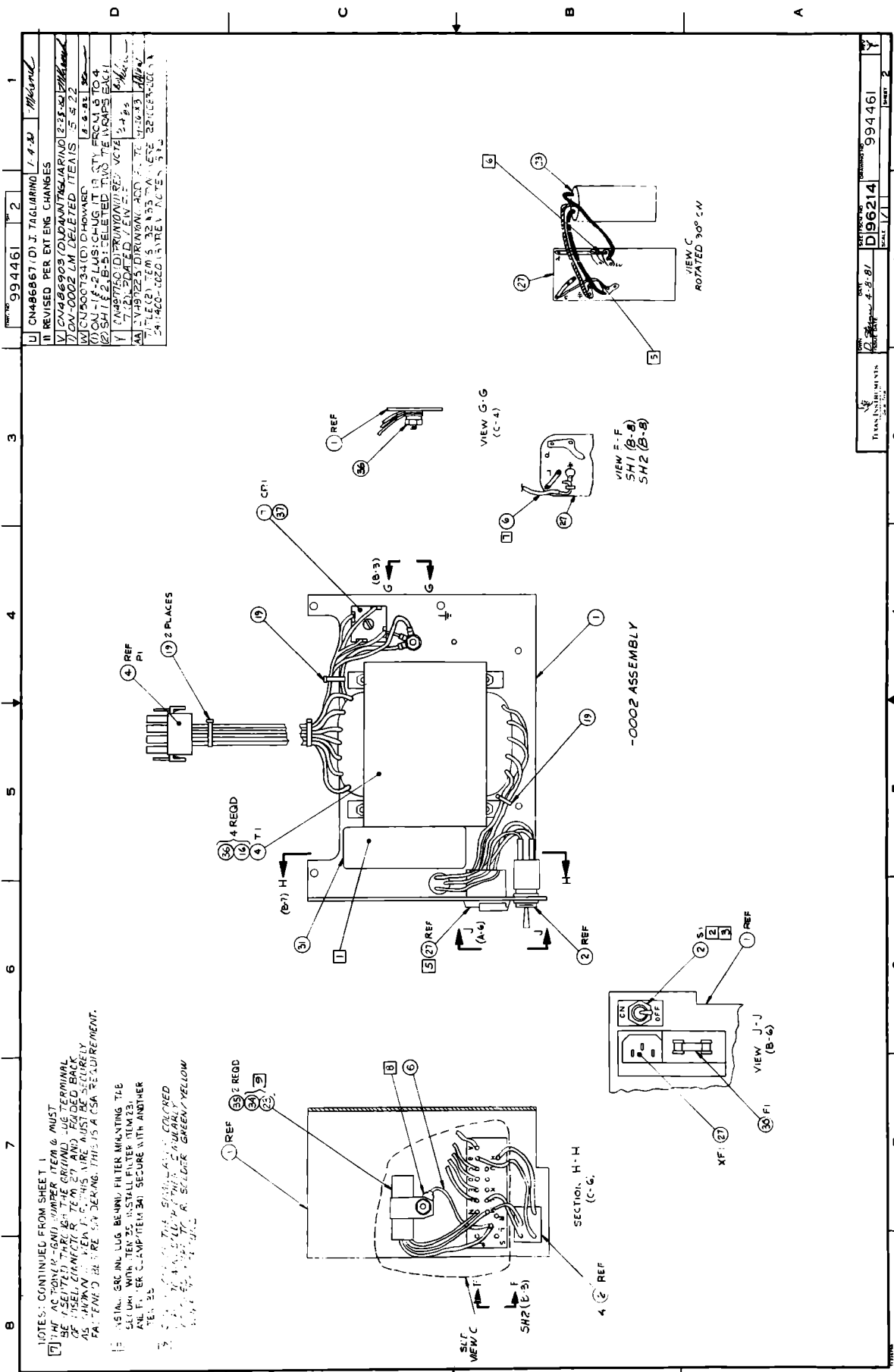
PART NUMBER REV DESCRIPTION.....
 0994445-0001 B BAUD RATE OPTION

| ITEM. | QUANTITY. | COMPONENT.. | DESCRIPTION..... | UM |
|-------|-----------|--------------|--|----|
| 0001 | 00001.000 | 0972469-0002 | NETWORK TMS5504,I/O AND TIMER TI -TMS5504 | EA |
| 0002 | REF | 0994446-9701 | MANUAL,BAUD RATE OPTION INSTALLATION | EA |

01/28/84

PART NUMBER REV DESCRIPTION.....
 0994445-8001 B BAUD RATE OPTION, FIELD INSTAL

| ITEM. | QUANTITY. | COMPONENT.. | DESCRIPTION..... | UM |
|-------|-----------|--------------|--|----|
| 0001 | 00001.000 | 0972469-0002 | NETWORK TMS5504,I/O AND TIMER TI -TMS5504 | EA |
| 0002 | 00001.000 | 0994446-9701 | MANUAL,BAUD RATE OPTION INSTALLATION | EA |
| 0004 | 00001.000 | 0994351-0001 | LABEL, CONFIGURATION 1225-1351-000 | EA |



| | | | |
|--|--------|---|---|
| REV NO | 994461 | 2 | 1 |
| U) CN486967 (D) J. TAGLIARINO, 1-7-50 Modified | | | |
| V) REVISED PER EXISTING CHANGES | | | |
| W) CN486969 (D) J. TAGLIARINO, 2-23-50 | | | |
| X) CN486970 (D) J. TAGLIARINO, 2-23-50 | | | |
| Y) CN486971 (D) J. TAGLIARINO, 2-23-50 | | | |
| Z) CN486972 (D) J. TAGLIARINO, 2-23-50 | | | |
| AA) CN486973 (D) J. TAGLIARINO, 2-23-50 | | | |
| AB) CN486974 (D) J. TAGLIARINO, 2-23-50 | | | |
| AC) CN486975 (D) J. TAGLIARINO, 2-23-50 | | | |
| AD) CN486976 (D) J. TAGLIARINO, 2-23-50 | | | |
| AE) CN486977 (D) J. TAGLIARINO, 2-23-50 | | | |
| AF) CN486978 (D) J. TAGLIARINO, 2-23-50 | | | |
| AG) CN486979 (D) J. TAGLIARINO, 2-23-50 | | | |
| AH) CN486980 (D) J. TAGLIARINO, 2-23-50 | | | |
| AI) CN486981 (D) J. TAGLIARINO, 2-23-50 | | | |
| AJ) CN486982 (D) J. TAGLIARINO, 2-23-50 | | | |
| AK) CN486983 (D) J. TAGLIARINO, 2-23-50 | | | |
| AL) CN486984 (D) J. TAGLIARINO, 2-23-50 | | | |
| AM) CN486985 (D) J. TAGLIARINO, 2-23-50 | | | |
| AN) CN486986 (D) J. TAGLIARINO, 2-23-50 | | | |
| AO) CN486987 (D) J. TAGLIARINO, 2-23-50 | | | |
| AP) CN486988 (D) J. TAGLIARINO, 2-23-50 | | | |
| AQ) CN486989 (D) J. TAGLIARINO, 2-23-50 | | | |
| AR) CN486990 (D) J. TAGLIARINO, 2-23-50 | | | |
| AS) CN486991 (D) J. TAGLIARINO, 2-23-50 | | | |
| AT) CN486992 (D) J. TAGLIARINO, 2-23-50 | | | |
| AU) CN486993 (D) J. TAGLIARINO, 2-23-50 | | | |
| AV) CN486994 (D) J. TAGLIARINO, 2-23-50 | | | |
| AW) CN486995 (D) J. TAGLIARINO, 2-23-50 | | | |
| AX) CN486996 (D) J. TAGLIARINO, 2-23-50 | | | |
| AY) CN486997 (D) J. TAGLIARINO, 2-23-50 | | | |
| AZ) CN486998 (D) J. TAGLIARINO, 2-23-50 | | | |
| BA) CN486999 (D) J. TAGLIARINO, 2-23-50 | | | |
| BB) CN487000 (D) J. TAGLIARINO, 2-23-50 | | | |

NOTES: CONTINUED FROM SHEET 1.

1) THE ACTION W- BAND NUMBER ITEM 6 MUST BE INSERTED THROUGH THE GROUND-LOG TERMINAL OF THE CHANGING ITEM 20 AND PAGED BACK AS SHOWN IN FIG. 1. THIS WIRE MUST BE SECURED TO THE W- BAND AS SHOWN IN FIG. 1. THIS IS A CSA REQUIREMENT.

2) INSTALL GROUND LUG BEHIND FILTER MOUNTING THE SOLDER WITH TYP 25. INSTALL FILTER ITEM 23. AND F. 1. EK CAMP ITEM 30. SECURE WITH ANOTHER TYP 25.

3) THE SOLDER MUST BE COLORED TO MATCH THE COLOR OF THE WIRE. THE SOLDER SHOULD BE GREEN/YELLOW.

| | | | |
|--|--------|---|---|
| REV NO | 994461 | 2 | 1 |
| U) CN486967 (D) J. TAGLIARINO, 1-7-50 Modified | | | |
| V) REVISED PER EXISTING CHANGES | | | |
| W) CN486969 (D) J. TAGLIARINO, 2-23-50 | | | |
| X) CN486970 (D) J. TAGLIARINO, 2-23-50 | | | |
| Y) CN486971 (D) J. TAGLIARINO, 2-23-50 | | | |
| Z) CN486972 (D) J. TAGLIARINO, 2-23-50 | | | |
| AA) CN486973 (D) J. TAGLIARINO, 2-23-50 | | | |
| AB) CN486974 (D) J. TAGLIARINO, 2-23-50 | | | |
| AC) CN486975 (D) J. TAGLIARINO, 2-23-50 | | | |
| AD) CN486976 (D) J. TAGLIARINO, 2-23-50 | | | |
| AE) CN486977 (D) J. TAGLIARINO, 2-23-50 | | | |
| AF) CN486978 (D) J. TAGLIARINO, 2-23-50 | | | |
| AG) CN486979 (D) J. TAGLIARINO, 2-23-50 | | | |
| AH) CN486980 (D) J. TAGLIARINO, 2-23-50 | | | |
| AI) CN486981 (D) J. TAGLIARINO, 2-23-50 | | | |
| AJ) CN486982 (D) J. TAGLIARINO, 2-23-50 | | | |
| AK) CN486983 (D) J. TAGLIARINO, 2-23-50 | | | |
| AL) CN486984 (D) J. TAGLIARINO, 2-23-50 | | | |
| AM) CN486985 (D) J. TAGLIARINO, 2-23-50 | | | |
| AN) CN486986 (D) J. TAGLIARINO, 2-23-50 | | | |
| AO) CN486987 (D) J. TAGLIARINO, 2-23-50 | | | |
| AP) CN486988 (D) J. TAGLIARINO, 2-23-50 | | | |
| AQ) CN486989 (D) J. TAGLIARINO, 2-23-50 | | | |
| AR) CN486990 (D) J. TAGLIARINO, 2-23-50 | | | |
| AS) CN486991 (D) J. TAGLIARINO, 2-23-50 | | | |
| AT) CN486992 (D) J. TAGLIARINO, 2-23-50 | | | |
| AU) CN486993 (D) J. TAGLIARINO, 2-23-50 | | | |
| AV) CN486994 (D) J. TAGLIARINO, 2-23-50 | | | |
| AW) CN486995 (D) J. TAGLIARINO, 2-23-50 | | | |
| AX) CN486996 (D) J. TAGLIARINO, 2-23-50 | | | |
| AY) CN486997 (D) J. TAGLIARINO, 2-23-50 | | | |
| AZ) CN486998 (D) J. TAGLIARINO, 2-23-50 | | | |
| BA) CN486999 (D) J. TAGLIARINO, 2-23-50 | | | |
| BB) CN487000 (D) J. TAGLIARINO, 2-23-50 | | | |

| | | | |
|--|--------|---|---|
| REV NO | 994461 | 2 | 1 |
| U) CN486967 (D) J. TAGLIARINO, 1-7-50 Modified | | | |
| V) REVISED PER EXISTING CHANGES | | | |
| W) CN486969 (D) J. TAGLIARINO, 2-23-50 | | | |
| X) CN486970 (D) J. TAGLIARINO, 2-23-50 | | | |
| Y) CN486971 (D) J. TAGLIARINO, 2-23-50 | | | |
| Z) CN486972 (D) J. TAGLIARINO, 2-23-50 | | | |
| AA) CN486973 (D) J. TAGLIARINO, 2-23-50 | | | |
| AB) CN486974 (D) J. TAGLIARINO, 2-23-50 | | | |
| AC) CN486975 (D) J. TAGLIARINO, 2-23-50 | | | |
| AD) CN486976 (D) J. TAGLIARINO, 2-23-50 | | | |
| AE) CN486977 (D) J. TAGLIARINO, 2-23-50 | | | |
| AF) CN486978 (D) J. TAGLIARINO, 2-23-50 | | | |
| AG) CN486979 (D) J. TAGLIARINO, 2-23-50 | | | |
| AH) CN486980 (D) J. TAGLIARINO, 2-23-50 | | | |
| AI) CN486981 (D) J. TAGLIARINO, 2-23-50 | | | |
| AJ) CN486982 (D) J. TAGLIARINO, 2-23-50 | | | |
| AK) CN486983 (D) J. TAGLIARINO, 2-23-50 | | | |
| AL) CN486984 (D) J. TAGLIARINO, 2-23-50 | | | |
| AM) CN486985 (D) J. TAGLIARINO, 2-23-50 | | | |
| AN) CN486986 (D) J. TAGLIARINO, 2-23-50 | | | |
| AO) CN486987 (D) J. TAGLIARINO, 2-23-50 | | | |
| AP) CN486988 (D) J. TAGLIARINO, 2-23-50 | | | |
| AQ) CN486989 (D) J. TAGLIARINO, 2-23-50 | | | |
| AR) CN486990 (D) J. TAGLIARINO, 2-23-50 | | | |
| AS) CN486991 (D) J. TAGLIARINO, 2-23-50 | | | |
| AT) CN486992 (D) J. TAGLIARINO, 2-23-50 | | | |
| AU) CN486993 (D) J. TAGLIARINO, 2-23-50 | | | |
| AV) CN486994 (D) J. TAGLIARINO, 2-23-50 | | | |
| AW) CN486995 (D) J. TAGLIARINO, 2-23-50 | | | |
| AX) CN486996 (D) J. TAGLIARINO, 2-23-50 | | | |
| AY) CN486997 (D) J. TAGLIARINO, 2-23-50 | | | |
| AZ) CN486998 (D) J. TAGLIARINO, 2-23-50 | | | |
| BA) CN486999 (D) J. TAGLIARINO, 2-23-50 | | | |
| BB) CN487000 (D) J. TAGLIARINO, 2-23-50 | | | |

List of Materials

01/28/84

| PART NUMBER | REV | DESCRIPTION..... | UM | |
|--------------|-----------|---------------------------------|--|----|
| 0994461-0001 | AA | AC POWER MOD ASSY, W/EMI FILTER | | |
| ITEM. | QUANTITY. | COMPONENT.. | DESCRIPTION..... | UM |
| 0001 | 00001.000 | 0994473-0001 | BASE, AC POWER MODULE 1680-0473-041 | EA |
| 0002 | 00001.000 | 0994463-0001 | SWITCH ASSY 1225-1463-000 | EA |
| 0002A | | | S1 1225-1463-000 | |
| 0003 | 00000.000 | 0994464-0001 | SWITCH ASSY 1225-1464-000 | EA |
| 0003A | | | *ALTERNATE FOR ITEM 2 1225-1464-000 | |
| 0004 | 00001.000 | 0994455-0001 | TRANSFORMER, POWER ISOLATION 50-60HZ 000159-T-76237 | EA |
| 0004A | | | T1 000159-T-76237 | |
| 0005 | 00001.000 | 0994368-0001 | JUMPER, AC POWER-TRANSFORMER 3.00LG 1225-1368-039 | EA |
| 0006 | 00001.000 | 0994388-0002 | JUMPER, AC POWER-GND 3.50 LG 1225-2388-083 | EA |
| 0007 | 00001.000 | 0996319-0001 | RECTIFIER BRIDGE, FULL WAVE, 15 AMPERE | EA |
| 0007A | | | CR1 | |
| 0008 | 00000.000 | 0996320-0001 | RECTIFIER, BRIDGE, FULL WAVE, 12 AMPERE MOT - MDA-980-2 | EA |
| 0008A | | | *ALTERNATE FOR ITEM 7 MOT - MDA-980-2 | |
| 0009 | 00002.000 | 0994368-0002 | JUMPER, AC POWER- TRANSFORMER 4.00LG 1225-2368-050 | EA |
| 0010 | REF | 0994462-9901 | ELECTRONIC SCHEMATIC DIAGRAM, AC PWR MDL | EA |
| 0015 | 00001.000 | 0994368-0003 | JUMPER, AC POWER- TRANSFORMER 5.50LG 1225-3368-044 | EA |
| 0016 | 00004.000 | 0416622-0024 | WASHER #8 FLAT QPL - AN960C8L | EA |
| 0017 | REF | 0994396-9901 | PROCEDURE, SITE & DATE CODE SERIALIZATION | EA |
| 0019 | 00004.000 | 0418212-0040 | STRAP, TIEDOWN, ADJUSTABLE, PLASTIC QPL - MS3367-4-9 | EA |
| 0021 | REF | 0997021-9901 | TEST PROCEDURE, AC P/S | EA |
| 0022 | 00001.000 | 0994368-0004 | JUMPER, AC POWER- TRANSFORMER 4.00LG 1225-4368-029 | EA |
| 0023 | 00001.000 | 0996614-0001 | FILTER, EMI 005245-3K1 | EA |
| 0026 | REF | 0994467-9901 | WIRE LIST, PT. TO PT. AC POWER MODULE | EA |
| 0027 | 00001.000 | 0996198-0011 | CONNECTOR, FUSED W/LABEL SEE TI- DWG. | EA |
| 0027A | | | XF1 SEE TI- DWG. | |
| 0028 | 00001.000 | 0972988-0028 | SCREW 6-32 X .375 PAN HEAD CRES 1208- -000 | EA |
| 0030 | 00001.000 | 0416434-0503 | FUSE 5.0 A 250V 3AG LIT - 312005 | EA |
| 0030A | | | F1 LIT - 312005 | |
| 0031 | 00001.000 | 0232208-7000 | LABEL 1X3INS RECTL SELF-ADHESIVE 016956-43551 | EA |
| 0035 | 00002.000 | 2210006-0002 | ASSY, HEX NUT, LOCKWASHERS 092550-SEE DRAWING | EA |

List of Materials

01/28/84

PART NUMBER REV DESCRIPTION.....
 0994461-0001 AA AC POWER MOD ASSY,W/EMI FILTER

| ITEM. | QUANTITY. | COMPONENT.. | DESCRIPTION..... | UM |
|-------|-----------|--------------|--|----|
| 0036 | 00005.000 | 2210006-0003 | ASSY,HEX NUT,LOCKWASHERS, 8-32 092550-SEE DRAWING | EA |
| 0037 | 00001.000 | 2211692-0013 | SEMS,6-32X.625,PAN HEAD,CONE WASHER SEE TI- DRAWING | EA |
| 0038 | 00000.000 | 0996198-0019 | CONNECTOR, FUSED 500/5A/2.5A 005245-85-15 | EA |
| 0038A | | | *ITEM 38 MAY BE USED AS AN 005245-85-15 | |
| 0038B | | | *ALT FOR ITEM 27. THE LABEL 005245-85-15 | |
| 0038C | | | *MUST BE REMOVED ON 120V 005245-85-15 | |
| 0038D | | | *MACHINES 005245-85-15 | |

01/28/84

PART NUMBER REV DESCRIPTION.....
 0994461-0002 AA AC POWER MOD ASSY,W/X-Y CAP

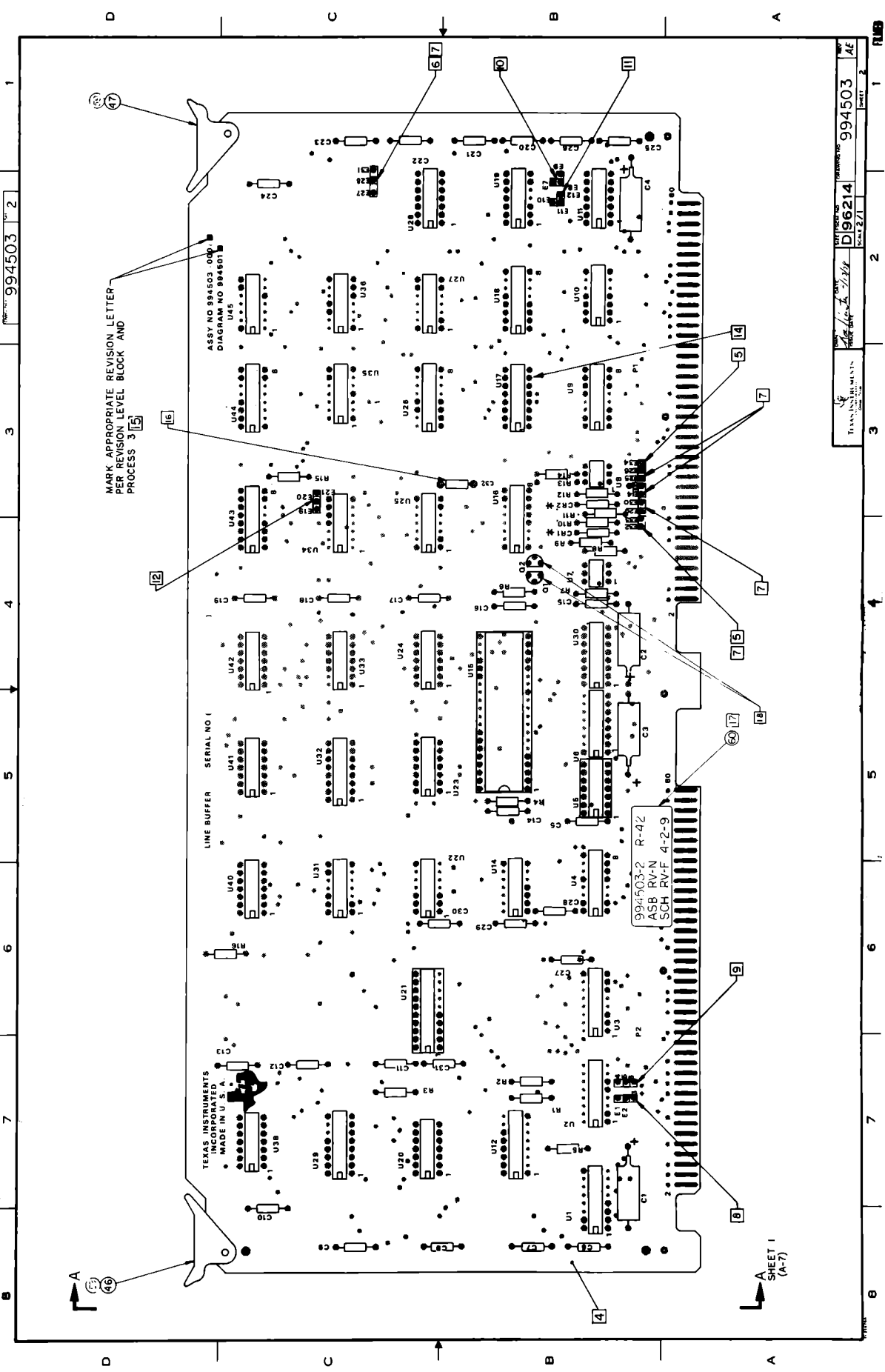
| ITEM. | QUANTITY. | COMPONENT.. | DESCRIPTION..... | UM |
|-------|-----------|--------------|---|----|
| 0001 | 00001.000 | 0994473-0001 | BASE, AC POWER MODULE 1680-0473-041 | EA |
| 0002 | 00001.000 | 0994463-0001 | SWITCH ASSY 1225-1463-000 | EA |
| 0002A | | | S1 1225-1463-000 | |
| 0003 | 00000.000 | 0994464-0001 | SWITCH ASSY 1225-1464-000 | EA |
| 0003A | | | *ALTERNATE FOR ITEM 2 1225-1464-000 | |
| 0004 | 00001.000 | 0994455-0001 | TRANSFORMER,POWER ISOLATION 50-60HZ 000159-T-76237 | EA |
| 0004A | | | T1 000159-T-76237 | |
| 0006 | 00001.000 | 0994388-0002 | JUMPER,AC POWER-GND 3.50 LG 1225-2388-083 | EA |
| 0007 | 00001.000 | 0996319-0001 | RECTIFIER BRIDGE,FULL WAVE,15 AMPERE | EA |
| 0007A | | | CR1 | |
| 0008 | 00000.000 | 0996320-0001 | RECTIFIER,BRIDGE,FULL WAVE,12 AMPERE MOT - MDA-980-2 | EA |
| 0008A | | | *ALTERNATE FOR ITEM 7 MOT - MDA-980-2 | |
| 0010 | REF | 0994462-9901 | ELECTRONIC SCHEMATIC DIAGRAM,AC PWR MDL | EA |
| 0016 | 00004.000 | 0416622-0024 | WASHER #8 FLAT QPL - AN960C8L | EA |
| 0017 | REF | 0994396-9901 | PROCEDURE,SITE & DATE CODE SERIALIZATION | EA |
| 0019 | 00004.000 | 0418212-0040 | STRAP,TIEDOWN,ADJUSTABLE,PLASTIC QPL - MS3367-4-9 | EA |
| 0021 | REF | 0997021-9901 | TEST PROCEDURE,AC P/S | EA |
| 0023 | 00001.000 | 2210844-0001 | CAP,X-Y, X=.05UF, Y=2500PF, 20% SEE TI- DRAWING | EA |

List of Materials

| 01/28/84 | | | |
|--------------|-----------|-----------------------------|--|
| PART NUMBER | REV | DESCRIPTION..... | |
| 0994461-0002 | AA | AC POWER MOD ASSY,W/X-Y CAP | |
| ITEM. | QUANTITY. | COMPONENT.. | DESCRIPTION..... UM |
| 0026 | REF | 0994467-9901 | WIRE LIST,PT.TO PT. AC POWER MODULE EA |
| 0027 | 00001.000 | 0996198-0011 | CONNECTOR,FUSED W/LABEL EA |
| 0027A | | | SEE TI- DWG. XF1 |
| 0030 | 00001.000 | 0416434-0503 | FUSE 5.0 A 250V 3AG EA |
| 0030A | | | LIT - 312005 F1 |
| 0031 | 00001.000 | 0232208-7000 | LABEL 1X3INS RECTL SELF-ADHESIVE EA |
| 0032 | 00001.000 | 0941408-0504 | 016956-43551 WIRE, PREPPED, 1.75 INCH LONG EA |
| 0033 | 00001.000 | 0941408-0501 | 1225-8504-005 WIRE, PREPPED, 1.00 INCH LONG EA |
| 0034 | 00001.000 | 0085913-0008 | 1225-8501-005 CLAMP 1/2 PLASTIC CABLE EA |
| 0035 | 00002.000 | 2210006-0002 | ASSY, HEX NUT, LOCKWASHERS EA |
| 0036 | 00005.000 | 2210006-0003 | 092550-SEE DRAWING ASSY,HEX NUT,LOCKWASHERS, 8-32 EA |
| 0037 | 00001.000 | 2211692-0013 | 092550-SEE DRAWING SEMS,6-32X.625,PAN HEAD,CONE WASHER EA |
| 0038 | 00000.000 | 0996198-0019 | SEE TI- DRAWING CONNECTOR, FUSED 500/5A/2.5A EA |
| 0038A | | | 005245-85-15 |
| 0038B | | | *ITEM 38 MAY BE USED AS AN 005245-85-15 |
| 0038C | | | *ALTERNATE FOR ITEM 27. THE 005245-85-15 |
| 0038D | | | *LABEL MUST BE REMOVED ON 005245-85-15 |
| 0039 | 00000.000 | 2210083-0004 | *120V MACHINES 005245-85-15 WIRE,ELEC,SOLID COND,W/L STYLE 1213 FT |
| 0039A | | | SEE TI- DRAWING |
| 0039B | | | *MAY BE USED AS A SEE TI- DRAWING |
| 0040 | 00000.000 | 0411400-0022 | *SUBSTITUTE FOR ITEM 32 SEE TI- DRAWING WIRE 22AWG ELETRO-TIN-PLATED,COPPER FT |
| 0040A | | | - - -000 |
| 0040B | | | *MAY BE USED AS A - - -000 |
| | | | *SUBSTITUTE FOR ITEM 33 - - -000 |

| 01/28/84 | | | |
|--------------|-----------|--------------------------|-----------------------------------|
| PART NUMBER | REV | DESCRIPTION..... | |
| 0994461-8001 | AA | AC POWER MODULE ASSEMBLY | |
| ITEM. | QUANTITY. | COMPONENT.. | DESCRIPTION..... UM |
| 0001 | 00001.000 | 0994461-0001 | AC POWER MOD ASSY,W/EMI FILTER EA |
| | | | 1225-1461-111 |

| 01/28/84 | | | |
|--------------|-----------|--------------------------------------|--------------------------------|
| PART NUMBER | REV | DESCRIPTION..... | |
| 0994461-8002 | AA | AC POWER MOD ASSY,W/X-Y CAP - SPARES | |
| ITEM. | QUANTITY. | COMPONENT.. | DESCRIPTION..... UM |
| 0001 | 00001.000 | 0994461-0002 | AC POWER MOD ASSY,W/X-Y CAP EA |
| | | | 1225-1461-201 |



MARK APPROPRIATE REVISION LETTER
PER REVISION LEVEL BLOCK AND
PROCESS 3 [5]

ASSY NO 994503 0001
DIAGRAM NO 994501

LINE BUFFER SERIAL NO 1

TEXAS INSTRUMENTS
INCORPORATED
MADE IN U. S. A.

994503-2 R-42
ASB RV-N
SCH RV-F 4-2-9

TRANSMISSIONS
D 196214
994503
AE

SHEET 1
(A-7)

List of Materials

05/12/84

| PART NUMBER | REV | DESCRIPTION..... | | |
|--------------|-----------|--|--|----|
| 0994503-0001 | AG | LINE BUFFER, PARALLEL INTERFACE-810 PRTR | | |
| ITEM. | QUANTITY. | COMPONENT.. | DESCRIPTION..... UM | |
| 0001 | 00001.000 | 0539855-0002 | RELAY, REED, DIP-250 MA 10 W 100 VDC 095348-G8831A-4 U5 095348-G8831A-4 | EA |
| 0001A | | | | |
| 0002 | 00001.000 | 0972763-0001 | CAPACITOR, .001UF 50V FX CERAMIC DIELECTRIC COR CA-C02Z5U102Z10GA C32 COR CA-C02Z5U102Z100A | EA |
| 0002A | | | | |
| 0003 | 00001.000 | 0994503-0100 | COMMON PARTS LIST FOR LINE BUFFER OPTION 1225-3503-015 | EA |
| 0003A | | | | |
| 0060 | 00001.000 | 2363830-0002 | LABEL, SYMBOLIZATION (51MM X 13MM) 1225- -000 | EA |

05/12/84

| PART NUMBER | REV | DESCRIPTION..... | | |
|--------------|-----------|---|--|----|
| 0994503-0002 | AG | LINE BUFFER, SERIAL INTERFACE- 810 PRTR | | |
| ITEM. | QUANTITY. | COMPONENT.. | DESCRIPTION..... UM | |
| 0001 | 00001.000 | 0971601-0002 | NETWORK ASYNCHRONOUS DATA INTERFACE -TI-TMS6011NC U15 -TI-TMS6011NC | EA |
| 0001A | | | | |
| 0003 | 00001.000 | 0994503-0100 | COMMON PARTS LIST FOR LINE BUFFER OPTION 1225-3503-015 | EA |
| 0003A | | | | |
| 0060 | 00001.000 | 2363830-0002 | LABEL, SYMBOLIZATION (51MM X 13MM) 1225- -000 | EA |

05/12/84

| PART NUMBER | REV | DESCRIPTION..... | | |
|--------------|-----------|--|--|----|
| 0994503-0100 | AG | COMMON PARTS LIST FOR LINE BUFFER OPTION | | |
| ITEM. | QUANTITY. | COMPONENT.. | DESCRIPTION..... UM | |
| 0002 | 00002.000 | 0972625-0001 | NETWORK OC1449 OPTICALLY COUPLED TI -OC1449 U7 (U8 SEE ITEM 24B) TI -OC1449 | EA |
| 0002A | | | | |
| 0010 | 00001.000 | 0972746-0121 | RES FIX 220K OHM 5 % .25 W CARBON FILM R0H - R-25 R9 | EA |
| 0010A | | | | |
| 0020 | 00001.000 | 0994519-0001 | PROM, PROGRAMMED, LINE BUFFER 1225-4519-026 U21 1225-4519-026 | EA |
| 0020A | | | | |
| 0024 | 00000.000 | 0971600-0001 | IC TIL-111 OPTICALLY COUPLED ISOLATOR TI -TIL111 *ALTERNATE FOR ITEM 2 (U8) TI -TIL111 *USE TIL117 TIPN971600-4 TI -TIL111 *WHEN AVAILABLE TI -TIL111 | EA |
| 0024A | | | | |
| 0024B | | | | |
| 0024C | | | | |
| 0028 | 00001.000 | 2211415-0001 | TRANSISTOR NPN Q1 | EA |
| 0028A | | | | |

List of Materials

05/12/84

PART NUMBER REV DESCRIPTION.....
 0994503-0100 AG COMMON PARTS LIST FOR LINE BUFFER OPTION

| ITEM. | QUANTITY. | COMPONENT.. | DESCRIPTION..... | UM |
|-------|-----------|--------------|--|----|
| 0029 | 00001.000 | 2220095-0001 | TRANSISTOR, NPN, GENERAL PURPOSE SEE TI- DRAWING | EA |
| 0029A | | | Q2 | |
| 0031 | 00002.000 | 0972763-0021 | SEE TI- DRAWING CAP.,FIXED,AXIAL LEAD,.047 UF,+80%,-20% | EA |
| 0031A | | | 1632-0000-000 C6,C25 | |
| 0039 | 00002.000 | 0972924-0014 | 1632-0000-000 CAP FIX TANT SOLID 15 UFD 10% 20 VOLT | EA |
| 0039A | | | QPL -M39003/1-2289 C2,C3 QPL -M39003/1-2289 | |
| 0040 | 00002.000 | 0972924-0006 | CAP FIX TANT SOLID 39 UFD 10% 10 VOLT | EA |
| 0040A | | | QPL -M39003/1-2259 C1,C4 QPL -M39003/1-2259 | |
| 0041 | 00008.000 | 0972487-0001 | JUMPER PLUG,CONNECTOR BLACK | EA |
| 0043 | 00001.000 | 2210188-0002 | 5935-0900-000 SOCKET,LOW PROFILE,DIP, 14 PINS | EA |
| 0043A | | | 003612-DILB14P-108 XU5 | |
| 0044 | 00001.000 | 2210188-0005 | 003612-DILB14P-108 SOCKET, LOW PROFILE, DIP, 20 PINS | EA |
| 0044A | | | 003612-DILB20P-108 XU21 | |
| 0045 | 00001.000 | 2210188-0009 | 003612-DILB20P-108 SOCKET, LOW PROFILE, DIP, 40 PINS | EA |
| 0045A | | | 003612-DILB40P-108 XU15 | |
| 0046 | 00001.000 | 0413277-0001 | 003612-DILB40P-108 EJECTOR,PCB,NON-LCCKING,WHITE | EA |
| 0047 | 00001.000 | 0413277-0005 | SCA -S-2G0(NATURAL) EJECTOR,PCB,NON-LCCKING,YELLOW | EA |
| 0051 | REF | 0994501-9901 | SCA -S-2G0(YELLOW) DIAGRAM, LINE BUFFER, 810 | EA |
| 0052 | REF | 0983412-5901 | REVISION LEVEL STATUS,MC810/ATS | EA |
| 0053 | REF | 0994396-9901 | PROCEDURE,SITE & DATE CODE SERIALIZATION | EA |
| 0057 | 00001.000 | 0994503-5001 | AUTO INSERTED PARTS LIST FOR 994503 | EA |
| 0059 | 00002.000 | 0085936-0065 | 1225-5503-250 EYELET,ROLLED FLANGE,.089 C.D. X .312 LG | EA |
| 0059A | | | *USED WITH ITEMS 46 & 47 | |

05/12/84

PART NUMBER REV DESCRIPTION.....
 0994503-5001 AG AUTO INSERTED PARTS LIST FOR 994503

| ITEM. | QUANTITY. | COMPONENT.. | DESCRIPTION..... | UM |
|-------|-----------|--------------|------------------------------------|----|
| 0001 | 00001.000 | 0994502-0001 | PWB, LINE BUFFER | EA |
| 0014 | 00002.000 | 0972900-7400 | NETWORK SN74LS00N | EA |
| 0014A | | | 1233-7564-000 U33,U45 | |
| 0015 | 00001.000 | 0972900-7402 | 1233-7564-000 NETWORK,SN74LS02N | EA |

List of Materials

05/12/84

| PART NUMBER | | REV | DESCRIPTION..... | | |
|--------------|-----------|--------------|---|----|--|
| 0994503-5001 | | AG | AUTO INSERTED PARTS LIST FOR 9545C3 | | |
| ITEM. | QUANTITY. | COMPONENT.. | DESCRIPTION..... | UM | |
| 0015A | | | U22 | | |
| 0016 | 00001.000 | 0222222-7404 | NETWORK SN7404N | EA | |
| 0016A | | | U19 | | |
| 0017 | 00002.000 | 0972900-7404 | NETWORK SN74LS04N | EA | |
| 0017A | | | U25,U31 | | |
| 0018 | 00001.000 | 0222222-7405 | NETWORK SN7405N | EA | |
| 0018A | | | U4J | | |
| 0019 | 00002.000 | 0972749-0001 | NETWORK, SN74LS08N | EA | |
| 0019A | | | U24,U42 | | |
| 0020 | 00001.000 | 0972900-7410 | NETWORK SN74LS13N | EA | |
| 0020A | | | 1225-5503-000 U23 | | |
| 0021 | 00001.000 | 0972900-7430 | NETWORK SN74LS33N | EA | |
| 0021A | | | TI -SN74LS30N U14 | | |
| 0022 | 00001.000 | 0972900-7474 | NETWORK SN74LS74N | EA | |
| 0022A | | | U35,U36,U41 | | |
| 0023 | 00001.000 | 0972751-0001 | NETWORK, SN74LS86N | EA | |
| 0023A | | | U34 | | |
| 0024 | 00002.000 | 0996124-0001 | IC, SN74LS136N 2-INPUT EXCLUSIVE-OR GATES | EA | |
| 0024A | | | 001295-SN74LS136N U20,U38 | | |
| 0025 | 00002.000 | 0972900-7138 | NETWORK SN74LS138N | EA | |
| 0025A | | | TI -SN74LS138N U4,U29 | | |
| 0026 | 00003.000 | 0801383-0001 | NETWORK SN74LS151N | EA | |
| 0026A | | | U17,U28,U32 | | |
| 0027 | 00004.000 | 0972669-0003 | IC, SYNCHRONOUS 4 BIT SN74LS161N | EA | |
| 0027A | | | TI -SN74LS161N U9,U16,U18,U26 | | |
| 0028 | 00001.000 | 0972900-7174 | NETWORK SN74LS174N | EA | |
| 0028A | | | U3 | | |
| 0029 | 00002.000 | 0996428-0001 | IC, SN74LS191N SYNCHRONOUS COUNTER | EA | |
| 0029A | | | 001295-SN74LS191N U43,U44 | | |
| 0030 | 00001.000 | 0995015-0001 | IC, QUAD LINE DRIVERS SN75188N | EA | |
| 0030A | | | TI -SN75188N U11 | | |
| 0031 | 00001.000 | 0972450-0002 | NETWORK, SN75189AN/MC1489AL QUAD LINE RCR | EA | |
| | | | SEE - TI DRAWING | | |

List of Materials

J5/12/84

| PART NUMBER | REV | DESCRIPTION..... |
|--------------|-----------|--|
| 0994503-5001 | AG | AUTO INSERTED PARTS LIST FCR 994503 |
| ITEM. | QUANTITY. | COMPONENT.. DESCRIPTION..... UM |
| 0031A | | U10 |
| 0032 | 00001.000 | 0222222-7408 SEE - TI DRAWING NETWORK-SN7408N EA |
| 0032A | | U27 |
| 0033 | 00005.000 | 0972787-0003 NETWORK SN74LS367N EA |
| 0033A | | U1,U2,U6,U12,U30 |
| 0034 | 00001.000 | 0994503-5501 SEQUENCE TAPE FGR -5001 EA |
| 0035 | 00000.000 | 2210665-0001 1225-4503-246 IC,LS161,SYNC 4-BIT BINARY CNT,DIR CLR EA |
| 0035A | | V-LIST-LS161 BURN-IN |
| 0035B | | *ALTERNATE PART FOR ITEM 27 |
| | | V-LIST-LS161 BURN-IN |
| | | *4 REQUIRED |
| | | V-LIST-LS161 BURN-IN |

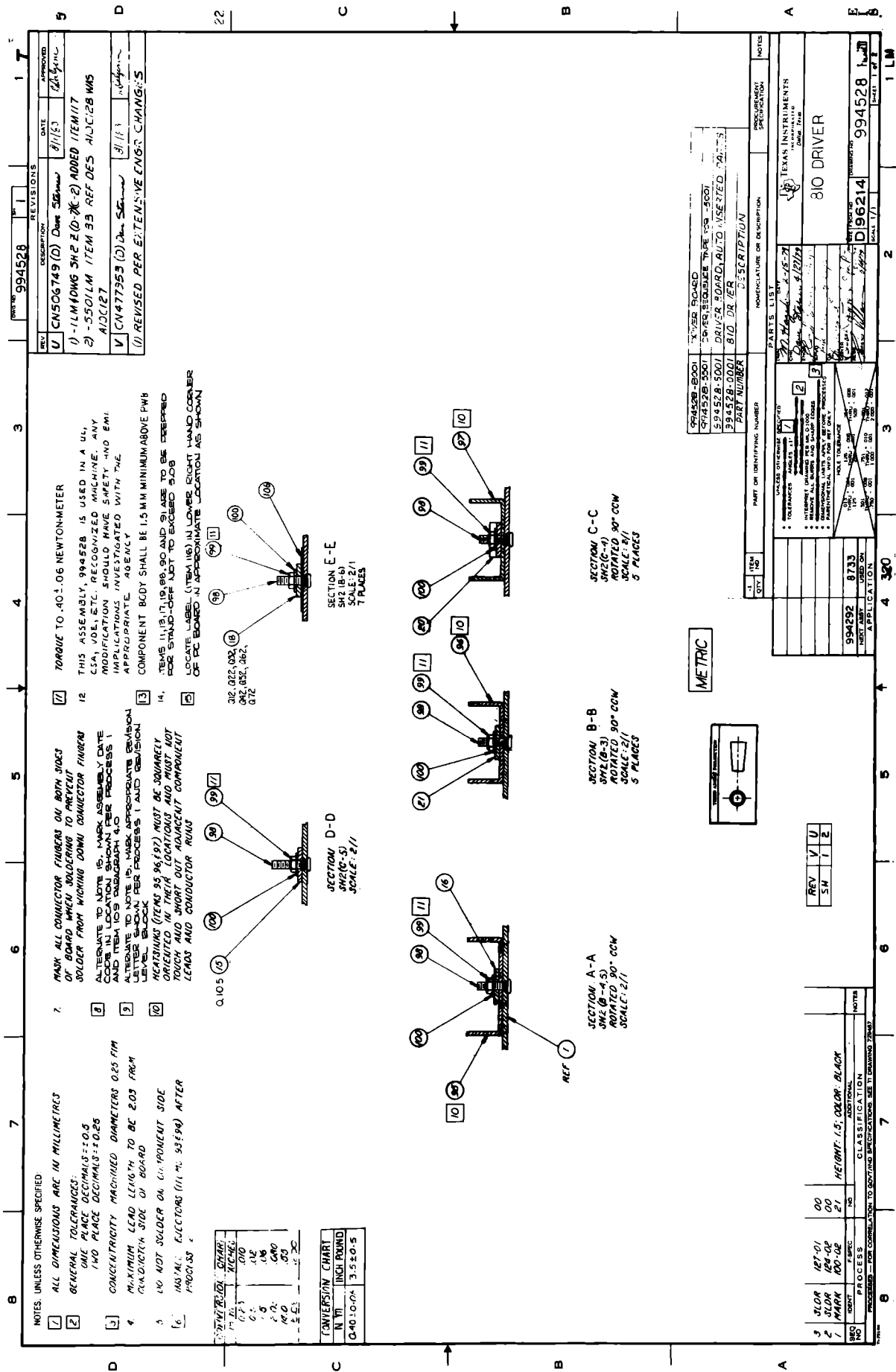
J5/12/84

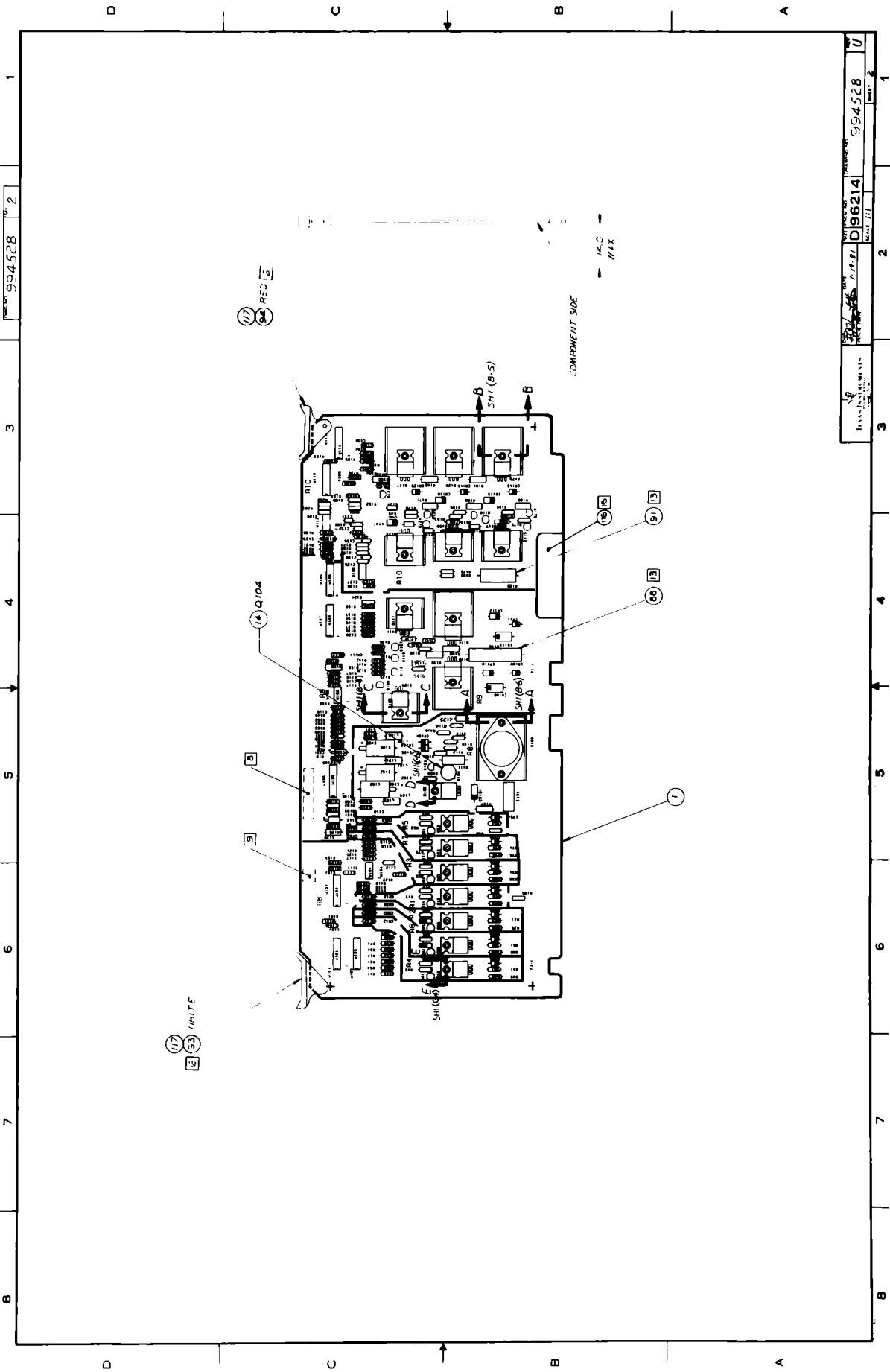
| PART NUMBER | REV | DESCRIPTION..... |
|--------------|-----------|---|
| 0994503-5501 | AG | SEQUENCE TAPE FGR -5001 |
| ITEM. | QUANTITY. | COMPONENT.. DESCRIPTION..... UM |
| 0002 | 00001.000 | 0972934-0006 DIODE,1N751A 5.1 V 5% SIL VOLT REG EA |
| 0002A | | QPL - 1N751A |
| 0003 | 00001.000 | 0972946-0037 CR2 QPL - 1N751A RES FIX 68.0 OHM 5% .25 W CARBON FILM EA |
| 0003A | | ROH - R-25 |
| 0004 | 00002.000 | 0972946-0045 R11 ROH - R-25 RES FIX 150 OHM 5% .25 W CARBON FILM EA |
| 0004A | | SEE TI- DRAWING |
| 0005 | 00001.000 | 0972946-0057 R7,R12 SEE TI- DRAWING RES FIX 470 OHM 5% .25 W CARBON FILM EA |
| 0005A | | ROH - R-25 |
| 0006 | 00004.000 | 0972946-0065 R5 RES FIX 1.0K OHM 5% .25 W CARBON FILM EA |
| 0006A | | ROH - R-25 |
| 0007 | 00001.000 | 0972946-0069 R1,R2,R4,R6 RES FIX 1.5K OHM 5% .25 W CARBON FILM EA |
| 0007A | | ROH - R-25 |
| 0008 | 00001.000 | 0972946-0077 R8 RES FIX 3.3K OHM 5% .25 W CARBON FILM EA |
| 0008A | | ROH - R-25 |
| 0009 | 00003.000 | 0972946-0089 R14 RES FIX 10K OHM 5% .25 W CARBON FILM EA |
| 0009A | | R3,R15,R16 |
| 0011 | 00025.000 | 0972763-0021 1658- -000 CAP.,FIXED,AXIAL LEAC,.047 UF,+80%,-20% EA |
| 0011A | | 1632-0000-000 C5,C7,C8,C9,C10,C11,C12,C13 |
| | | 1632-0000-000 |

List of Materials

05/12/84

| PART NUMBER | REV | DESCRIPTION..... | UM |
|--------------|-----------|--|----|
| 0994503-5501 | AG | SEQUENCE TAPE FOR -5001 | |
| ITEM. | QUANTITY. | COMPONENT.. DESCRIPTION..... | UM |
| 0011B | | C14,C15,C16,C17,C18,C19,C20 1632-0000-000 | |
| 0011C | | C21,C22,C23,C24,C26,C27,C28 1632-0000-000 | |
| 0011D | | C29,C30,C31 1632-0000-000 | |
| 0012 | 00001.000 | 0530468-0003 DIODE,1N4003 LAMP 20PIV RECTIFIER | EA |
| 0012A | | TI - IN4003 CR1 | |
| 0013 | 00001.000 | 0972946-0017 RES FIX 10.0 OHM 5 % .25 W.CARBON FILM | EA |
| 0013A | | RUH - R-25 R10 | |
| 0042 | 00027.000 | 0972456-0002 PIN,.025 SQUARE | EA |
| 0042A | | 5935-0800-000 E1,E2,E3,E4,E5,E6,E7,E8,E9 | |
| 0042B | | 5935-0800-000 E10,E11,E12,E13,E14,E15,E20 | |
| 0042C | | 5935-0800-000 E21,E25,E26,E27,E28,E29,E30 | |
| 0042D | | 5935-0800-000 E31,E32,E33,E34 | |
| 0050 | 00000.000 | 0996805-C004 TERMINAL,MALE 10.92MM(LG)10.64MM(.0251SQ | EA |
| 0050A | | 022526-75491-004 *ALTERNATE FOR ITEM 42 022526-75491-004 | |





List of Materials

05/12/84

| PART NUMBER | REV | DESCRIPTION..... | UM | |
|--------------|-----------|------------------|--|----|
| 0994528-0001 | V | 810 DRIVER | | |
| ITEM. | QUANTITY. | COMPONENT.. | DESCRIPTION..... | UM |
| 0011 | 00006.000 | 2211506-0001 | TRANSISTOR,PNP,SILICON,1.0A,60V SEE TI- DRAWING | EA |
| 0011A | | | A9Q109,A10Q112,A10Q116 | |
| 0011B | | | SEE TI- DRAWING | |
| | | | A10Q119,A10Q122,A10Q124 | |
| 0013 | 00001.000 | 2211415-0001 | SEE TI- DRAWING | |
| | | | TRANSISTOR NPN | EA |
| 0013A | | | A3Q103 | |
| 0014 | 00001.000 | 0996298-0001 | TRANSISTOR,SGD2162 PNP SWITCHING | EA |
| 0014A | | | TI -SGD2162 | |
| | | | A8Q104 | |
| | | | TI -SGD2162 | |
| 0015 | 00001.000 | 0996284-0001 | TRANSISTOR,2N6497 PWR SILICON NPN | EA |
| 0015A | | | MUT -2N6497 | |
| | | | A8Q105 | |
| | | | MUT -2N6497 | |
| 0016 | 00001.000 | 2210465-0001 | TRANSISTOR, POWER, NPN | EA |
| 0016A | | | 033888-2N6306 | |
| | | | A8Q106 | |
| | | | 033888-2N6306 | |
| 0017 | 00007.000 | 2210226-0001 | XSTR,P-N-P,HIGH VCLTAGE | EA |
| 0017A | | | 001295-TIS180 | |
| | | | A1Q11,A2Q21,A3Q31,A4Q41, | |
| | | | 001295-TIS180 | |
| 0017B | | | A5Q51,A6Q61,A7Q71 | |
| | | | 001295-TIS180 | |
| 0018 | 00007.000 | 2210225-0001 | XSTR,N-P-N,DARLINGTON PAIR | EA |
| 0018A | | | 001295-TIP150 | |
| | | | A1Q12,A2Q22,A3Q32,A4Q42, | |
| | | | 001295-TIP150 | |
| 0018B | | | A5Q52,A6Q62,A7Q72 | |
| | | | 001295-TIP150 | |
| 0018C | | | *ITEM 112 MAY BE USED AS | |
| | | | 001295-TIP150 | |
| 0018D | | | *AN ALTERNATE | |
| | | | 001295-TIP150 | |
| 0019 | 00005.000 | 2210224-0001 | XSTR,N-P-N,HIGH VCLTAGE | EA |
| 0019A | | | 001295-2N4410 | |
| | | | A9Q107,A9Q113,A10Q115, | |
| | | | 001295-2N4410 | |
| 0019B | | | A10Q118,A10Q121 | |
| | | | 001295-2N4410 | |
| 0020 | 00005.000 | 0972962-0002 | TRANSISTOR TIP41C POWER AMP & HIGH-SPEED | EA |
| 0020A | | | TI -TIP41C | |
| | | | A9Q109,A9Q111,A10Q117, | |
| | | | TI -TIP41C | |
| 0020B | | | A10Q120,A10Q123 | |
| | | | TI -TIP41C | |
| 0021 | 00005.000 | 0972572-0003 | TRANSISTOR,TIP122 SILICON NPN DARLINGTON | EA |
| 0021A | | | TI -TIP122 | |
| | | | A9Q110,A9Q114,A10Q125, | |
| | | | TI -TIP122 | |
| 0021B | | | A10Q126,A10Q127 | |
| | | | TI -TIP122 | |
| 0024 | 00001.000 | 0996281-0008 | RECTIFIER,SILICON,200VDC | EA |
| 0024A | | | 012969-UES 1304 | |
| | | | A8CR101 | |
| | | | 012969-UES 1304 | |
| 0029 | 00002.000 | 0996280-0001 | DIODE UCP3001 RECTIFIER 3 AMP | EA |

List of Materials

05/12/84

| PART NUMBER | REV | DESCRIPTION..... | |
|--------------|-----------|------------------|--|
| 0994528-0001 | V | 810 DRIVER | |
| ITEM. | QUANTITY. | COMPONENT.. | DESCRIPTION..... UM |
| 0029A | | | A9CR109,A9CR113 |
| JJ39 | JJ0J1.0J0 | 0996311-0009 | CAPACITOR,0.1000 UF 400 VDC 10% EA 012406-Z01R104 |
| JJ39A | | | ABC101 |
| JJ40 | 00001.000 | 2211700-0011 | 012406-Z01R104 EA CAPACITOR,AL ELEC,220 LF, 10 V |
| JJ40A | | | SEE TI- DRAWING ABC102 |
| 0041 | 00002.000 | 2211700-0025 | SEE TI- DRAWING EA CAPACITOR,AL,ELEC,150 LF,16V |
| 0041A | | | SEE TI- DRAWING ABC105,ABC108 |
| 0087 | JJ001.0J0 | 0972965-0012 | SEE TI- DRAWING EA CAP FXD .010UF,10%,200V, CERAMIC |
| 0087A | | | QPL - CK06BX103K ABC141 |
| 0088 | JJ001.0J0 | 0976297-0001 | QPL - CK06BX103K EA RES FIXED .25 OHMS .25% |
| 0088A | | | RCL - NT-7 A9R148 |
| 0090 | JJ001.000 | 0996283-0004 | RCL - NT-7 EA RES,FXD,WW,POWER,200 OHMS +/-1%,3WATTS |
| 0090A | | | 001686-T2B-79 ABR111 |
| J091 | 00001.000 | 0996272-0001 | 001686-T2B-79 EA RESISTOR,FIX .2 OHMS,NCN-INDUCTIVE 1% 5W |
| J091A | | | REI - NT-5 A10R190 |
| 0093 | JJJJ1.0J0 | J413277-0001 | REI - NT-5 EA EJECTOR,PCB,NON-LOCKING,WHITE |
| 0094 | 00001.0J0 | 0413277-0015 | SCA -S-200(NATURAL) EA EJECTOR,PCB,NON-LOCKING,C.RED |
| J095 | JJ0J1.0J0 | 2210200-0001 | SCA -S-200(C.RED) EA HEATSINK, TO-3 |
| JJ96 | JJ0J5.0J0 | 0996285-0002 | 013103-6103B-BASE EA HEATSINK,TRANSISTOR |
| J097 | 00005.000 | 0996285-0001 | 013103-6106B-14 EA HEATSINK,TRANSISTOR |
| 0098 | JJ020.0J0 | 0972355-0003 | 013103-6107B-14 EA STUD,CLINCH,.375 LONG,BRONZE |
| J099 | JJ020.0J0 | 0416453-0021 | 046384-KFH-440-6 EA NUT,PLAIN,4-40 UNC-2B HEX,CRES,SMALL |
| 0100 | 00020.000 | 0411101-0057 | CPL - NAS671-C4 EA LOCKWASHER # 4 EXTERNAL TIGHT CRES |
| 0106 | 00001.000 | 2360064-0001 | CPL - MS35335-57 EA INSULATOR, THERMALLY CONDUCTIVE |
| 0107 | JJ000.0J0 | 0996521-0010 | SEE TI- DRAWING EA INSULATOR, .147DIA .75CLG .500W |
| 0107A | | | 055285-7403-09FR-54 *MAY BE USED AS AN ALTERNAT |
| 0107B | | | 055285-7403-09FR-54 *FOR ITEM 106,7 REQUIRED |
| 0108 | REF | 0994527-0001 | 055285-7403-09FR-54 EA DIAG, LOGIC, DRIVER BOARD |
| 0109 | REF | 0994396-9901 | EA PROCEDURE,SITE & DATE CODE SERIALIZATION |
| 0110 | 00001.000 | 0994528-5001 | EA DRIVER BOARD,AUTO INSERTED PARTS 1225-5528-999 |

List of Materials

05/12/84

| PART NUMBER | REV | DESCRIPTION..... | |
|--------------|-----------|------------------|--|
| 0994528-0001 | V | 810 DRIVER | |
| ITEM. | QUANTITY. | COMPONENT.. | DESCRIPTION..... UM |
| 0112 | 00000.000 | 2211798-C001 | TRANS,MJE5740 NPN DARLINGTON EA SEE TI- DRAWING |
| 0112A | | | A1012,A2022,A3032,A4042 |
| 0112B | | | SEE TI- DRAWING |
| 0112C | | | A5052,A6062,A7072 |
| 0112D | | | SEE TI- DRAWING |
| 0112E | | | *MAY BE USED AS ALT FOR |
| 0112F | | | SEE TI- DRAWING |
| 0112G | | | *ITEM 10 |
| 0112H | | | SEE TI- DRAWING |
| 0114 | 00000.000 | 0972924-0008 | CAP FIX TANT SOLID 220 MFD 10 % 10 VOLT EA QPL -M39003/1-2265 |
| 0114A | | | *MAY BE USED AS AN ALT |
| 0114B | | | QPL -M39003/1-2265 |
| 0114C | | | *FOR ITEM 40 |
| 0114D | | | QPL -M39003/1-2265 |
| 0115 | 00000.000 | 0972924-0012 | CAP FIX TANT SOLID 150 MFD 10 % 15 VOLT EA QPL -M39003/1-2277 |
| 0115A | | | *MAY BE USED AS AN ALT |
| 0115B | | | QPL -M39003/1-2277 |
| 0115C | | | *FOR ITEM 41 |
| 0115D | | | QPL -M39003/1-2277 |
| 0116 | 00001.000 | 2363830-0002 | LABEL,SYMBOLIZATION (51MM X 13MM) EA 1225- -000 |
| 0117 | 00002.000 | 0085936-C065 | EYELET,RIGLED FLANGE,.089 O.D. X .312 LG EA |
| 0117A | | | *USED WITH ITEMS 93 & 94 |
| 9999 | 00000.000 | 0239999-9999 | COST, SHRINKAGE EA |
| 0001 | 00001.000 | 0994526-0001 | PWB, DRIVER BOARD EA |
| 0003 | 00002.000 | 0222222-7406 | NETWORK SN7406N EA |
| 0003A | | | A80102,A100110 |
| 0004 | 00002.000 | 0222222-7407 | NETWORK-SN7407N EA TI- -SN7407N |
| 0004A | | | A80103,A90107 |
| 0004B | | | TI- -SN7407N |
| 0005 | 00001.000 | 0222222-7410 | NETWORK SN7410N EA - 3-000 |
| 0005A | | | A90105 |
| 0005B | | | - 3-000 |
| 0006 | 00001.000 | 0222222-7430 | NETWORK SN7430N EA -SN7430N |
| 0006A | | | A80101 |
| 0006B | | | -SN7430N |
| 0007 | 00001.000 | 0222222-7438 | NETWORK SN7438N EA |
| 0007A | | | A100111 |
| 0008 | 00001.000 | 0972999-4016 | X NETWORK 4016 EA -SEE TI DRAWING |
| 0008A | | | A90106 |
| 0008B | | | -SEE TI DRAWING |
| 0009 | 00003.000 | 0222225-2311 | NETWORK,COMPARATOR,SEE DRAWING EA SEE - TI DRAWING |
| 0009A | | | A80104,A90108,A100105 |
| 0009B | | | SEE - TI DRAWING |
| 0010 | 00001.000 | 0972188-0001 | NETWORK,NE555V,MONOLITHIC TIMING,LINER EA ST -NE555V |

List of Materials

05/12/84

PART NUMBER REV DESCRIPTION.....
 0994528-5501 V DRIVER BOARD,AUTO INSERTED PARTS

| ITEM. | QUANTITY. | COMPONENT.. | DESCRIPTION..... | UM |
|-------|-----------|--------------|---|----|
| J010A | | | A10U12 ST -NE555V | |
| J012 | 00001.000 | 0994528-5501 | DRIVER,SEQUENCE TAPE FOR -5001 1225-4528-206 | EA |

05/12/84

PART NUMBER REV DESCRIPTION.....
 0994528-5501 V DRIVER,SEQUENCE TAPE FOR -5001

| ITEM. | QUANTITY. | COMPONENT.. | DESCRIPTION..... | UM |
|-------|-----------|--------------|--|----|
| J023 | 00007.000 | 0539468-0004 | DIODE,1N4004 1AMP 400PIV RECTIFIER TI - IN4004 | EA |
| J023A | | | A1CR14,A2CR24,A3CR34, TI - IN4004 | |
| J023B | | | A4CR44,A5CR54,A6CR64,A7CR74 TI - IN4004 | |
| J025 | 00003.000 | 0972268-0003 | DIODE IN4003 1 AMP SEE - TI DRAWING | EA |
| J025A | | | A9CR103,A9CR110,A9CR112 SEE - TI DRAWING | |
| J026 | 00006.000 | 0539468-0002 | DIODE,1N4002 1AMP 100PIV RECTIFIER TI - IN4002 | EA |
| J026A | | | A8CR104, A9CR108, TI - IN4002 | |
| J026B | | | A9CR111, A10CR118 TI - IN4002 | |
| J026C | | | A10CR119,A10CR120 TI - IN4002 | |
| J027 | 00008.000 | 0972932-0001 | DIODE IN9140 SEE TI- DRAWING | EA |
| J027A | | | A1CR12,A2CR22,A3CR32, SEE TI- DRAWING | |
| J027B | | | A4CR42,A5CR52,A6CR62, SEE TI- DRAWING | |
| J027C | | | A7CR72,A9CR114 SEE TI- DRAWING | |
| J028 | 00001.000 | 0972934-0006 | DIODE,1N751A 5.1 V 5% SIL VOLT REG CPL - IN751A | EA |
| J028A | | | A9CR107 CPL - IN751A | |
| J030 | 00003.000 | 0994281-0002 | RECTIFIER,SILICON,FAST RECOVERY 100V 014099-SS3889 | EA |
| J030A | | | A10CR115,A10CR116,A10CR117 014099-SS3889 | |
| J031 | 00001.000 | 0972763-0030 | CAP FIXED .27 UF 50 VOLTS 5910-J113-000 | EA |
| J031A | | | A10C133 5910-J113-000 | |
| J032 | 00001.000 | 0972757-0009 | CAP FIX CLR 470PF 102 50V | EA |
| J032A | | | A10C134 | |
| J033 | 00023.000 | 0972763-0025 | CAPACITOR,.10UF 50V FX,CERAMIC DIELECTR COR CA-C03250104Z050A | EA |
| J033A | | | A8C103,A8C104,A8C106,A8C107 COR CA-C03250104Z050A | |
| J033B | | | A8C109,A8C110,A8C111,A8C112 COR CA-C03250104Z050A | |
| J033C | | | A8C113,A8C115,A8C116 A9C119 COR CA-C03250104Z050A | |

List of Materials

05/12/84

| PART NUMBER | REV | DESCRIPTION..... |
|--------------|-----------|--|
| J994528-5501 | V | DRIVER, SEQUENCE TAPE FOR -5331 |
| ITEM. | QUANTITY. | COMPONENT.. DESCRIPTION..... UM |
| 0033C | | A9C120, A9C116, A9C137 CCR CA-C0325U1042050A |
| 0033E | | A10C120, A10C130, A10C138 CUR CA-C0325U1042050A |
| 0033F | | A10C139, A10C140, A9C117 CUR CA-C0325U1042050A |
| 0033G | | A10C125, A10C127 CCR CA-C0325U1042050A |
| 0035 | JJJ02.000 | 0972757-0003 CAP, FIXED CERAMIC 150 PF 10% 50V EA UC -C51C151K |
| 0035A | | A9C118, A10C129 UC -C51C151K |
| 0036 | JJJ02.000 | 0972924-0017 CAP FIX TANT SOLID 1.0 MFD 10% 35 VOLT EA 1294- -000 |
| JJ36A | | A9C115, A10C131 1294- -000 |
| 0037 | JJJ03.000 | 0972758-C025 CAP, FIXED .01 UF 100 WVDC 10% EA UC -C51A103K |
| JJ37A | | A10C122, A10C123, A10C124 UC -C51A103K |
| 0038 | JJJ01.000 | 0972757-0040 CAP, FXD, 50 VOLTS, 10%, 10PF, CERAMIC DIEL. EA 007115-SEE DRAWING |
| 0038A | | A10C126 007115-SEE DRAWING |
| 0042 | JJJ01.000 | 0972763-0013 CAP, FIXED .010UF 50 VOLTS EA 004222-MC105E103Z |
| 0042A | | A10C132 004222-MC105E103Z |
| 0043 | JJJ03.000 | 0538428-C001 CCIL RF 5.60 OHM .32 CHM 495 MA LTI0K128 EA QPL - MS14046-J1 |
| JJ43A | | A3L101, A3L102, A3L103 QPL - MS14046-J1 |
| 0044 | J0001.000 | 0972946-0052 RES FIX 300 OHM 5% .25 W CARBON FILM EA R0H - R-25 |
| 0044A | | A10R200 R0H - R-25 |
| 0045 | JJJ05.000 | 0972946-0045 RES FIX 150 OHM 5% .25 W CARBON FILM EA SEE TI- DRAWING |
| 0045A | | A7R125, A9R142, A10R159 SEE TI- DRAWING |
| 0045B | | A10R165, A10R170 SEE TI- DRAWING |
| 0046 | JJJ01.000 | 0972946-0110 RES FIX 75 K OHM 5% .25 W CARBON FILM EA R0H - R-25 |
| 0046A | | A10R201 R0H - R-25 |
| JJ47 | JJJ22.000 | 0972946-0089 RES FIX 10K OHM 5% .25 W CARBON FILM EA 1658- -000 |
| 0047A | | A1R15, A2R25, A3R35, A4R45, 1658- -000 |
| 0047B | | A6R65, A7R75, A8R106, A8R122, 1658- -000 |
| 0047C | | A9R123, A9R137, A9R139, 1658- -000 |
| 0047D | | A9R140, A9R147, A9R156, 1658- -000 |
| 0047E | | A10R173, A10R177, A10R186, 1658- -000 |
| 0047F | | A10R195, A10R197, A10R198, 1658- -000 |
| 0047G | | A9R145, A5R55 1658- -000 |

List of Materials

05/12/84

| PART NUMBER | REV | DESCRIPTION..... | UM | |
|--------------|-----------|---------------------------------|---|----|
| 0974528-5501 | V | DRIVER, SEQUENCE TAPE FOR -5001 | | |
| ITEM. | QUANTITY. | COMPONENT.. | DESCRIPTION..... | UM |
| 0049 | 00001.000 | 0972946-0081 | RES FIX 4.7K OHM 5 % .25 W CARBON FILM R0H - R-25 | EA |
| 0049A | | | A8R103 R0H - R-25 | |
| 0050 | 00001.000 | 0972946-0061 | RES FIX 680 OHM 5 % .25 W CARBON FILM R0H - R-25 | EA |
| 0050A | | | A8R110 R0H - R-25 | |
| 0051 | 00002.000 | 0972946-0021 | RES FIX 15.0 OHM 5 % .25 W CARBON FILM R0H - R-25 | EA |
| 0051A | | | A8R112, A8R113 R0H - R-25 | |
| 0052 | 00005.000 | 0972946-0017 | RES FIX 1J.0 OHM 5 % .25 W CARBON FILM R0H - R-25 | EA |
| 0052A | | | A10R172, A10R167, A8R104, R0H - R-25 | |
| 0052B | | | A8R114, A10R161 R0H - R-25 | |
| 0053 | 00007.000 | 0972946-0053 | RES FIX 330 OHM 5 % .25 W CARBON FILM R0H - R-25 | EA |
| 0053A | | | A1R12, A2R22, A3R32, A4R42, R0H - R-25 | |
| 0053B | | | A5R52, A6R62, A7R72 R0H - R-25 | |
| 0054 | 00006.000 | 0972946-0057 | RES FIX 470 OHM 5 % .25 W CARBON FILM R0H - R-25 | EA |
| 0054A | | | A9R127, A9R145, A10R158, R0H - R-25 | |
| 0054B | | | A10R164, A10R169, A10R199 R0H - R-25 | |
| 0055 | 00001.000 | 0972946-0051 | RES FIX 270 OHM 5 % .25 W CARBON FILM R0H - R-25 | EA |
| 0055A | | | A8R109 R0H - R-25 | |
| 0057 | 00001.000 | 0972946-0047 | RES FIX 180 OHM 5 % .25 W CARBON FILM R0H - R-25 | EA |
| 0057A | | | A8R117 R0H - R-25 | |
| 0058 | 00024.000 | 0972946-0065 | RES FIX 1.0K OHM 5% .25 W CARBON FILM R0H - R-25 | EA |
| 0058A | | | A8R14, A8R24, A8R34, A8R44, R0H - R-25 | |
| 0058B | | | A8R54, A8R64, A8R74, A8R102, R0H - R-25 | |
| 0058C | | | A8R133, A9R124, A9R129, R0H - R-25 | |
| 0058D | | | A9R130, A9R132, A9R134, R0H - R-25 | |
| 0058E | | | A9R135, A9R157, A10R162, R0H - R-25 | |
| 0058F | | | A10R163, A10R168, A10R184, R0H - R-25 | |
| 0058G | | | A10R185, A10R194, A8R101 R0H - R-25 | |
| 0058H | | | A10R193 R0H - R-25 | |
| 0059 | 00004.000 | 0972946-0027 | RES FIX 27.0 OHM 5 % .25 W CARBON FILM R0H - R-25 | EA |
| 0059A | | | A9R126, A9R136, A9R141, A9R144 R0H - R-25 | |
| 0060 | 00001.000 | 0972946-0039 | RES FIX 82.0 OHMS 5 % .25 W CARBON FILM R0H - R-25 | EA |

List of Materials

05/12/84

| PART NUMBER | REV | DESCRIPTION..... | UM | |
|-------------|-----------|---------------------------------|--|----|
| 094523-5501 | V | DRIVER, SEQUENCE TAPE FOR -5001 | | |
| ITEM. | QUANTITY. | COMPONENT.. | DESCRIPTION..... | UM |
| JJ60A | | | A10R174 | |
| 0061 | 00001.000 | 0972946-0035 | RES FIX 56.0 OHM 5 % .25 W. CARBON FILM R0H - R-25 | EA |
| JJ61A | | | A10R175 | |
| 0062 | 00002.000 | 0972946-0093 | RES FIX 15K OHM 5% .25 W CARBON FILM R0H - R-25 | EA |
| 0062A | | | A10R191, A10R192 | |
| 0063 | 00001.000 | 0972946-0059 | RES FIX 560 OHM 5 % .25 W CARBON FILM R0H - R-25 | EA |
| JJ63A | | | A10R176 | |
| 0064 | 00007.000 | 0972946-0069 | RES FIX 1.5K OHM 5 % .25 W CARBON FILM R0H - R-25 | EA |
| 0064A | | | A1R13, A2R23, A3R33, A4R43, | |
| JJ64B | | | A5R53, A6R63, A7R73 | |
| 0065 | 00005.000 | 0972947-0055 | RES FIX 390 OHM 5% .5 W CARBON FILM R0H - R-50 | EA |
| JJ65A | | | A9R130, A9R146, A10R181-R183 | |
| 0066 | 00001.000 | 0972947-0059 | RES FIX 560 OHM 5% .5 W CARBON FILM R0H - R-50 | EA |
| JJ66A | | | A9R155 | |
| 0067 | 00001.000 | 0972977-0073 | RES FIX CUM 270 OHM 1/2W 5% QPL - RCR20G271JS | EA |
| JJ67A | | | A9R128 | |
| 0068 | 00001.000 | 0972947-0073 | RES FIX 2.2K OHM 5% .5 W CARBON FILM R0H - R-50 | EA |
| JJ68A | | | A8R107 | |
| 0069 | 00003.000 | 0972977-0083 | RES, FXD, CMPSN, 1/2 W, 680 OHMS, 5% 039008-RCR20G681JS | EA |
| JJ69A | | | A10R160, A10R166, A10R171, 039008-RCR20G681JS | |
| 0071 | 00001.000 | 0539812-C056 | RES, FIXED 30.7K .1% MF 1/8W | EA |
| 0071A | | | A9R151 | |
| 0072 | 00002.000 | 0539812-C045 | RES, FIXED 4.99K .1% MF 1/8W | EA |
| JJ72A | | | A9R133, A9R153 | |
| 0073 | 00001.000 | 0539812-C055 | RES, FIXED 4.10K .1% MF 1/8W | EA |
| 0073A | | | A7R131 | |
| 0076 | 00001.000 | 0539370-0637 | RES FIXED FILM 422K CHMS 1% .25 WATT CCR - NA55 | EA |
| 0076A | | | A9R154 | |
| 0077 | 00001.000 | 0539370-0573 | RES FIX FILM 90.9K CHM 1% .25 WATT CCR -NA550-100PPM/C | EA |
| JJ77A | | | A8R121 | |
| 0078 | 00007.000 | 0996881-0001 | RES, FXD, PHR, FILM, 1.0 CHMS +/-1%, 0.5WATT 052163-MK2 | EA |

List of Materials

05/12/84

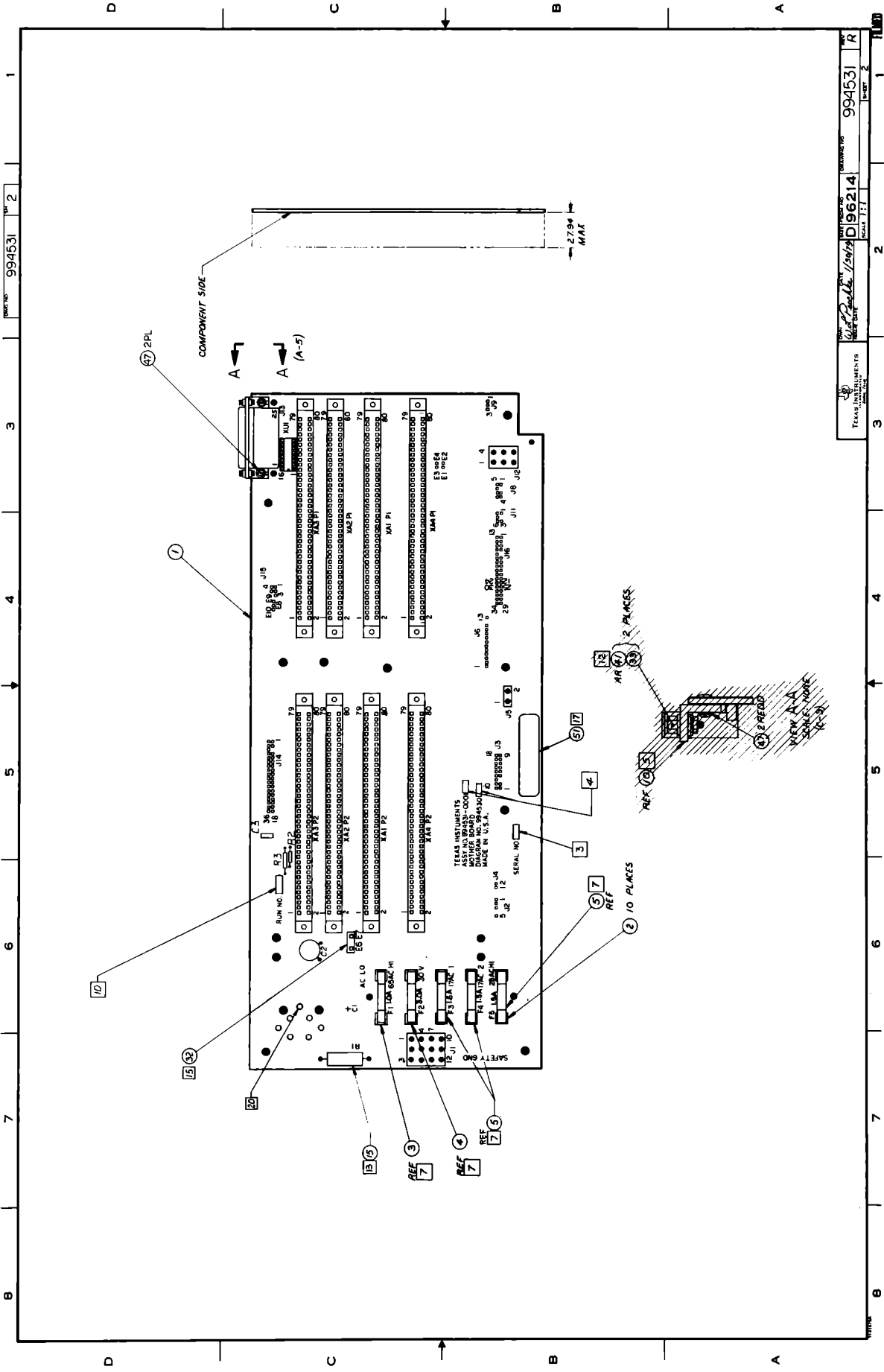
PART NUMBER REV DESCRIPTION.....
 J994528-5501 V DRIVER, SEQUENCE TAPE FOR -5001

| ITEM. | QUANTITY. | COMPONENT.. | DESCRIPTION..... | UM |
|-------|-----------|--------------|---|----|
| 0078A | | | A1R11, A2R21, A3R31, A4R41, 052763-MK2 | |
| 0078B | | | A5R51, A6R61, A7R71 052763-MK2 | |
| 0079 | 00004.000 | 0539370-0510 | RES FIX FILM 20.0K CHM 1% .25 WATT COR -NA550-100PPM/C | EA |
| 0079A | | | A9R115, A8R116, A9R149, A5R150 COR -NA550-100PPM/C | |
| 0080 | 00002.000 | 0539370-0531 | RES FIX FILM 33.2K CHM 1% .25 WATT COR - NA55 | EA |
| 0080A | | | A8R119, A9R152 COR - NA55 | |
| 0081 | 00001.000 | 0539370-0577 | RES FIX FILM 100 K CHM 1% .25 WATT COR - NA55 | EA |
| 0081A | | | A9R118 COR - NA55 | |
| 0082 | 00001.000 | 0539370-0627 | RES FIX FILM 332K CHM 1% .25 WATT | EA |
| 0082A | | | A10R170 | |
| 0083 | 00002.000 | 0539370-0427 | RES FIX FILM 2.74K CHM 1% .25 WATT COR - NA55 | EA |
| 0083A | | | A10R179, A10R180 COR - NA55 | |
| 0084 | 00002.000 | 0539370-0448 | RES FIX FILM 4.53K CHM 1% .25 WATT COR - NA55 | EA |
| 0084A | | | A10R187, A8R120 COR - NA55 | |
| 0085 | 00001.000 | 0539370-0347 | RES FIX FILM 402 CHM 1% .25 WATT CCR - NA55 | EA |
| 0085A | | | A10R188 COR - NA55 | |
| 0086 | 00001.000 | 0539370-0318 | RES FIX FILM 200 CHM 1% .25 WATT CCR - NA55 | EA |
| 0086A | | | A10R189 COR - NA55 | |
| 0120 | 00001.000 | 0972946-0041 | RES FIX 100 OHM 5 % .25 W CARBON FILM ROH - R-25 | EA |
| 0120A | | | A10R196 ROH - R-25 | |

05/12/84

PART NUMBER REV DESCRIPTION.....
 J994528-8001 V DRIVER BOARD

| ITEM. | QUANTITY. | COMPONENT.. | DESCRIPTION..... | UM |
|-------|-----------|--------------|-----------------------------|----|
| 0001 | 00001.000 | 0994528-0001 | 810 DRIVER 1225-1528-999 | EA |



List of Materials

05/12/84

PART NUMBER REV DESCRIPTION.....
0994531-0002 U MOTHERBOARD, 810 PRINTER

| ITEM. | QUANTITY. | COMPONENT.. | DESCRIPTION..... | UM |
|-------|-----------|--------------|---|----|
| J001 | J0001.000 | 0994529-C001 | PWB, MOTHER BOARD | EA |
| J002 | J0010.000 | 0772635-0001 | CLIP,FUSE | EA |
| J003 | J0001.000 | 0410822-0019 | LIT -1J2068 FUSE 1.0 A 250V SLOW BLOW UL-APPVO | EA |
| J003A | | | BUS - MDL F1 | |
| J004 | J0001.000 | 0411787-C012 | BUS - MDL FUSE 3.0 A 125V 3AG SLOW BLOW | EA |
| J004A | | | BUS - MDX F2 | |
| J005 | J0003.000 | 0416434-0153 | BUS - MDX FUSE 1.5 A 250V 3AG | EA |
| J005A | | | LIT - 31201.5 F3,F4,F5 | |
| J006 | J0008.000 | 2210787-0004 | LIT - 31201.5 CONN, 40 PINS. 5.285 LG PC BD BLK | EA |
| J006A | | | 073803-H431021-40 XA1P1,XA1P2,XA2P1,XA2P2 | |
| J006B | | | 073803-H431021-40 XA3P1,XA3P2,XA4P1,XA4P2 | |
| J007 | J0001.000 | 0996166-0007 | 073803-H431021-40 HEADER, SOCKET, 12 CIRCUITS 1.050 | EA |
| J007A | | | J1 | |
| J008 | J0001.000 | 0996166-0005 | HEADER, SOCKET, SHORT SOLDER T 6 CIRCUITS | EA |
| J008A | | | AMP - 350827-1 J12 | |
| J009 | J0001.000 | 0996166-0001 | AMP - 350827-1 HEADER, SOCKET, SHORT SOLDER T 2 CIRCUITS | EA |
| J009A | | | AMP - 350824-1 J5 | |
| J010 | J0001.000 | 0972854-0005 | AMP - 350824-1 CONN. RECEPT. 25-CCNT. PC BOARD | EA |
| J010A | | | SEE TI- DRAWING | |
| J011 | 00132.000 | 0972456-0002 | CONN. RECEPT. 25-CCNT. PC BOARD SEE TI- DRAWING | EA |
| J011A | | | PIN, .025 SQUARE 5935-0800-000 | |
| J011B | | | E1 THRU E4, E6 THRU E10 5935-0800-000 | |
| J011C | | | J2, J3, J4, J6, J8, J9, J11, J14 5935-0800-000 | |
| J015 | 00001.000 | 0972942-C042 | J15, J16 5935-0800-000 | EA |
| J015A | | | RES FIXED 1 K OHMS +5% 5 WATT | |
| J019 | J0001.000 | 2210188-0003 | DAL - CW OR RS R1 | EA |
| J019A | | | DAL - CW OR RS SOCKET, LOW PROFILE, DIP, 16 CONT | |
| J032 | J0001.000 | 0972487-C001 | 003612-D1LB16P-108 XU1 | EA |
| J032A | | | 003612-D1LB16P-108 JUMPER PLUG, CONNECTOR BLACK | |
| J044 | REF | 0994530-0001 | 5935-0900-000 JUMPER E6 TO E7 | EA |
| J045 | REF | 0994396-9901 | 5935-0900-000 DIAG, LOGIC, MOTHER BOARD | EA |
| | | | PROCEDURE, SITE & DATE CODE SERIALIZATION | EA |

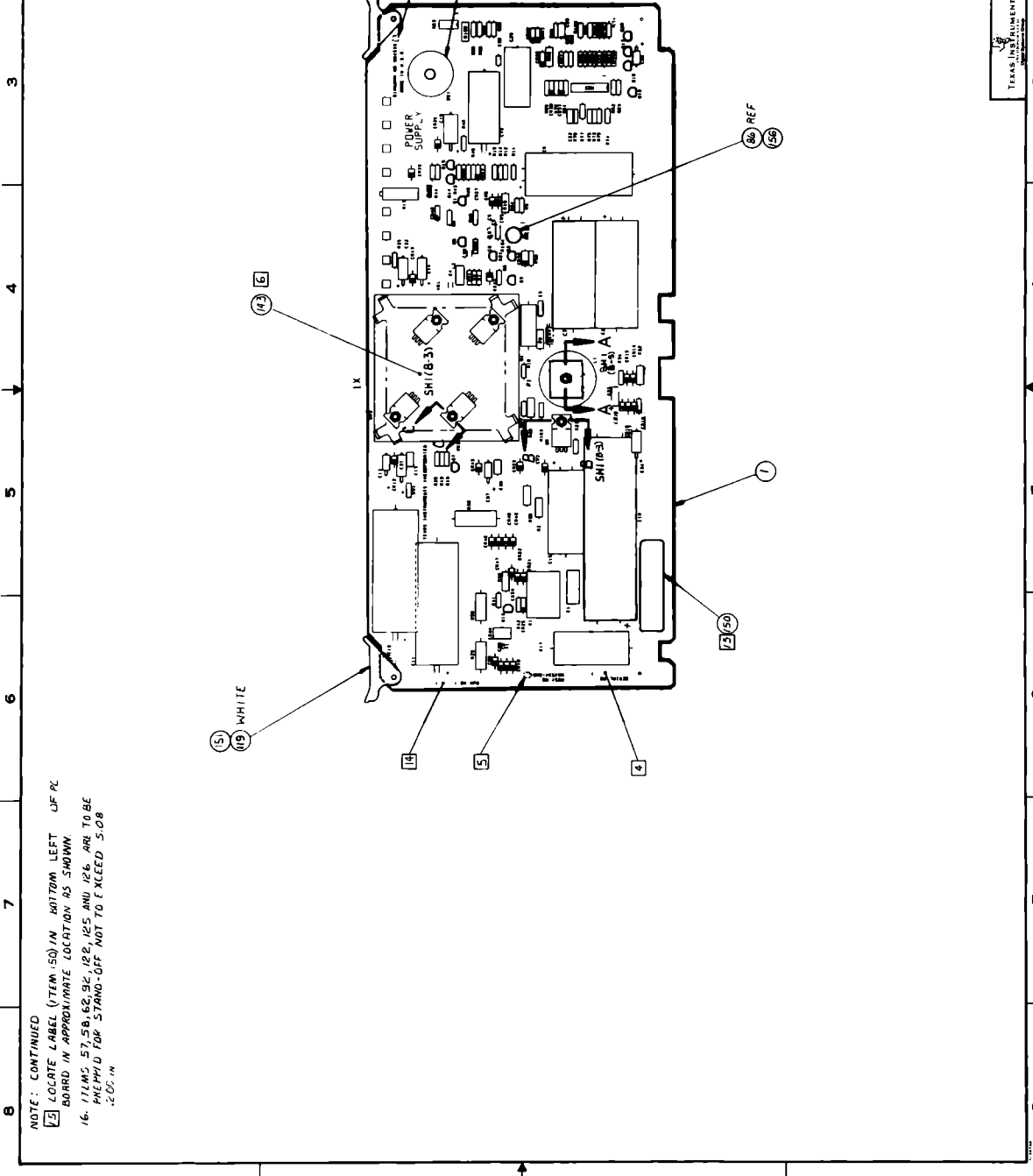
List of Materials

05/12/84

PART NUMBER REV DESCRIPTION.....
 J994531-0002 U MOTHERBOARD, 810 PRINTER

| ITEM. | QUANTITY. | COMPONENT.. | DESCRIPTION..... | UM |
|-------|-----------|--------------|--|----|
| 0047 | 00002.000 | 0085936-0064 | EYELET-WELDED FLANGE,.116 O.D.,.219 L | EA |
| 0048 | 00002.000 | 0996810-0007 | CAPACITOR,3900PF 400V 20% CER,DIN TYPE | EA |
| 0048A | | | DRALOR-SOPJ18400VN C2,C3 | |
| 0049 | 00002.000 | 0972946-0065 | RES FIX 1.0K OHM 5% .25 W CARBON FILM | EA |
| 0049A | | | ROH - R-25 R2,R3 ROH - R-25 | |
| 0050 | 00001.000 | 0972037-1470 | NETWORK,RES 47 OHM 2% 16PIN BELEMENT | EA |
| 0050A | | | 1223-1470-000 U1 | |
| 0051 | 00001.000 | 236383C-0002 | LABEL,SYMBOLIZATION (51MM X 13MM) | EA |
| 0052 | 00000.000 | 0972676-0001 | CONNECTOR-CARD EDGE,80 PIN,SOLDER POST | EA |
| 0052A | | | XA1P1,XA1P2,XA2P1,XA2P2 | |
| 0052B | | | XA3P1,XA3P2,XA4P1,XA4P2 | |
| 0052C | | | * ALTERNATE FOR ITEM 6 | |

| REV | REVISIONS | CONTINUED | DATE | APPROVED |
|-----|---|-----------|---------|----------|
| T | ADD NOTES TO R. MARL (2) CING NOTES TO S AND 14 (3) ADD LABEL (ITEM 150) REV LETTER | | 7-8-72 | |
| U | CN49777 (D) R. MARL (1) UPDATED | | ~ 82 | |
| V | CN46672 (D) R. MARL (1) REVISED PER EXTENSIVE ENGR CHANGES | | 1/20/73 | |
| W | CN45675 (D) R. MARL (1) REVISED PER EXTENSIVE ENGR CHANGES | | 3/22/73 | |
| | ADDED ITEM 151 (E) ITEM 151 (E) CHANGED COMPUTER TITLE TO 500 | | | |



List of Materials

01/28/84

PART NUMBER REV DESCRIPTION.....
 0994534-0001 W PWB ASSY, POWER SUPPLY, 810

| ITEM. | QUANTITY. | COMPONENT.. | DESCRIPTION..... | UM |
|-------|-----------|--------------|---|----|
| 0008 | 00000.000 | 0972806-0003 | DIODE VM18 BRIDGE,DUAL-IN-LINE,1 AMP -VM18 | EA |
| 0008A | | | *CR44, ITEM 8 MAY BE -VM18 | |
| 0008B | | | *SUBSTITUTED AS AN ALT -VM18 | |
| 0008C | | | *FOR ITEM 4 CR8 THRU CR11 -VM18 | |
| 0057 | 00001.000 | 0972942-0026 | RES FIX 4.70 K OHMS 5% 5 WATT WIREWOUND OHM - 995-4641 | EA |
| 0057A | | | R39 | |
| 0058 | 00001.000 | 0996272-0004 | RESISTOR, FIXED, POWER, AXIAL LEADS SEE TI- DWG | EA |
| 0058A | | | R10 | |
| 0062 | 00002.000 | 0972978-0103 | RFS FIXED COMP 1.2K 1 WATT 5% QPL - RCR32G122JS | EA |
| 0062A | | | R29, R30 | |
| 0064 | 00001.000 | 0539795-0007 | RES VAR CERMET 1.0 K OHMS 10% .75 WATT BOU -3069P-1-102 | EA |
| 0064A | | | R13 | |
| 0071 | 00002.000 | 0972929-0385 | CAP FIX CERAMIC 220 PF 10% 200V SEE - TI DRAWING | EA |
| 0071A | | | C5, C30 | |
| 0072 | 00001.000 | 0972965-0012 | CAP FXD .010UF, 10%, 200V, CERAMIC QPL - CK06BX103K | EA |
| 0072A | | | C3 | |
| 0073 | 00001.000 | 0972965-0024 | CAP FXD .100UF, 10%, 100V, CERAMIC QPL - CK06BX104K | EA |
| 0073A | | | C4 | |
| 0074 | 00001.000 | 0419051-0474 | CAP FIX FILM FOIL .470 UF 5% 200VDC TRW - 663UM | EA |
| 0074A | | | C23 | |
| 0075 | 00001.000 | 0996335-0001 | CAP FIXED 12.0MF 100V | EA |
| 0075A | | | C17 | |
| 0076 | 00001.000 | 2211700-0023 | CAPACITOR, AL, ELEC, 68 UF, 16V SEE TI- DRAWING | EA |
| 0076A | | | C19 | |
| 0077 | 00001.000 | 2210272-0002 | CAP, ELECTLT, 1200MFD, 150CHV, -10, +75% SEE TI- DRAWING | EA |
| 0077A | | | C18 | |
| 0078 | 00001.000 | 0996479-0001 | CAP, FIXED 850MF 125V 052689-604D186 | EA |
| 0078A | | | C16 | |
| 0079 | 00001.000 | 0507315-0033 | 052689-604D186 CAP 1500 UF 40V 45% -39D158G040HP5 | EA |
| 0079A | | | C11 | |
| 0084 | 00001.000 | 0972663-0001 | -39D158G040HP5 NETWORK, LM339N | EA |

List of Materials

01/28/84

| PART NUMBER | REV | DESCRIPTION..... | |
|--------------|-----------|-----------------------------|---|
| 0994534-0001 | W | PWB ASSY, POWER SUPPLY, 810 | |
| ITEM. | QUANTITY. | COMPONENT.. | DESCRIPTION..... UM |
| 0084A | | | AR2 |
| 0085 | 00001.000 | 0996311-0009 | CAPACITOR,0.1000 UF 400 VDC 10% 012406-ZD1R104 |
| 0085A | | | C1 |
| 0086 | 00000.000 | 0222224-0305 | NETWORK LM305H OPERATIONAL AMP |
| 0086A | | | -LM305H |
| 0086B | | | *MAY BE USED AS AN ALT |
| 0086C | | | -LM305H |
| 0086D | | | *FOR ITEM 148 IF ITEM 86 IS |
| | | | -LM305H |
| | | | *USED ITEM 156 MUST BE |
| | | | -LM305H |
| | | | *USED WITH IT |
| | | | -LM305H |
| 0087 | 00001.000 | 0972499-0002 | NETWORK,VOLG REG,NEG,3 TERM-(-12V) |
| 0087A | | | VR1 |
| 0089 | 00001.000 | 2210858-0001 | BUZZER, PIEZOELECTRIC |
| 0089A | | | SEE TI- DRAWING |
| | | | DS1 |
| | | | SEE TI- DRAWING |
| 0090 | 00001.000 | 0996322-0001 | INDUCTOR FIXED 205UH |
| 0090A | | | GFS - 76205-1 |
| | | | L1 |
| | | | GFS - 76205-1 |
| 0091 | 00001.000 | 0996281-0006 | RECTIFIER,SS3892/UES1302,V(R)100V I(O)6A |
| 0091A | | | 014099-SS3892 |
| | | | CR4 |
| | | | 014099-SS3892 |
| 0092 | 00003.000 | 2210224-0001 | XSTR,N-P-N,HIGH VOLTAGE |
| 0092A | | | 001295-2N4410 |
| | | | Q1,Q2,Q7 |
| | | | 001295-2N4410 |
| 0096 | 00001.000 | 0996331-0001 | RELAY,SPNO 3 AMP 12 VDC |
| 0096A | | | 082415-27A21D12 |
| | | | K1 |
| | | | 082415-27A21D12 |
| 0097 | 00005.000 | 0972355-0003 | STUD,CLINCH,.375 LONG,BRONZE |
| 0103 | 00000.000 | 0416925-0411 | 046384-KFH-440-6 |
| 0104 | 00000.000 | 0972306-0002 | SPACER #4 3/16 X .028 SCREW & BOLT |
| 0105 | 00000.000 | 0972621-0002 | COVER ROUND |
| 0109 | 00004.000 | 0996521-0010 | SPRING RING |
| 0112 | 00005.000 | 0416453-0021 | 5360-2000-000 |
| 0114 | 00000.000 | 0972988-0121 | INSULATOR, .147DIA .750LG .500W |
| 0116 | 00004.000 | 0972628-0019 | 055285-7403-09FR-54 |
| 0117 | 00005.000 | 0411101-0057 | NUT,PLAIN,4-40 UNC-2B HEX,CRES,SMALL |
| 0118 | 00000.000 | 0996332-0005 | QPL - NAS671-C4 |
| 0118A | | | SCREW 4-40 X.1.12 PAN HEAD CRES |
| | | | WASHER, #4 ID .118 OD .250 |
| | | | 091201-5607-50 |
| | | | LOCKWASHER # 4 EXTERNAL TOOTH CRES |
| | | | QPL - MS35335-57 |
| | | | HEAT SINK, MDM, SOURCE 12318-5 |
| | | | SEE TI- DRAWING |
| | | | *MAY BE USED AS AN ALTERNAT |
| | | | SEE TI- DRAWING |

List of Materials

01/28/84

| PART NUMBER | REV | DESCRIPTION..... | |
|--------------|-----------|-----------------------------|---|
| 0994534-0001 | W | PWB ASSY, POWER SUPPLY, 810 | |
| ITEM. | QUANTITY. | COMPONENT.. | DESCRIPTION..... UM |
| 0118B | | | *FOR ITEM 143 SEE TI- DRAWING |
| 0119 | 00001.000 | 0413277-0001 | EJECTOR,PCB, NON-LOCKING, WHITE SCA -S-200(NATURAL) EA |
| 0120 | 00001.000 | 0413277-0004 | EJECTOR,PCB, NON-LOCKING, ORANGE SCA -S-200(ORANGE) EA |
| 0121 | 00001.000 | 0996438-0002 | IC,UA78M12UC VOL REG THREE TERMINAL 009404-2UA78M12UC EA |
| 0121A | | | VR2 009404-2UA78M12UC |
| 0122 | 00001.000 | 2211506-0001 | TRANSISTOR,PNP, SILICON,1.0A,60V SEE TI- DRAWING EA |
| 0122A | | | Q3 SEE TI- DRAWING |
| 0123 | 00001.000 | 0972962-0002 | TRANSISTOR TIP41C POWER AMP & HIGH-SPEED TI -TIP41C EA |
| 0123A | | | Q4 TI -TIP41C |
| 0124 | 00001.000 | 0996450-0001 | TRANSISTOR TIP115, P-N-P DARLINGTON 001295-TIP115 EA |
| 0124A | | | Q8 001295-TIP115 |
| 0125 | 00004.000 | 2211415-0001 | TRANSISTOR NPN EA |
| 0125A | | | Q6, Q18, Q19, Q20 |
| 0126 | 00005.000 | 2211416-0001 | TRANSISTOR,PNP SEE TI- DRAWING EA |
| 0126A | | | Q13, Q14, Q15, Q17, Q21 SEE TI- DRAWING |
| 0127 | REF | 0994396-9901 | PROCEDURE, SITE & DATE CODE SERIALIZATION EA |
| 0128 | REF | 0994533-0001 | DIAG, LOGIC, POWER SUPPLY, 810 EA |
| 0129 | 00001.000 | 2210227-0001 | IC, POS VOLT REG, 3-PIN, TO-220AB 001295-UA7808C EA |
| 0129A | | | VR3 001295-UA7808C |
| 0131 | 00001.000 | 0996326-0006 | CAPACITOR 1700UF 10 DCWV ELECTROLYTIC 001939-673D233 EA |
| 0131A | | | C15 001939-673D233 |
| 0132 | 00002.000 | 0996326-0007 | CAPACITOR 4400UF 7.5 DCWV ELECTROLYTIC 001939-673D234 EA |
| 0132A | | | C7, C9 001939-673D234 |
| 0133 | 00001.000 | 0996326-0008 | CAPACITOR 1000UF 50 DCWV ELECTROLYTIC 001939-673D235 EA |
| 0133A | | | C2 001939-673D235 |
| 0134 | 00001.000 | 2210272-0001 | CAP, ELECTLT, 2100 MFD, 40DCWV, -10, +75% EA |
| 0134A | | | C10 |
| 0138 | 00001.000 | 0994534-5001 | POWER SUPPLY ASSY, AUTO INSERTED PARTS 1225-5534-999 EA |
| 0141 | 00001.000 | 0972118-0001 | DIODE, IN5339B EA |
| 0141A | | | CR39 |
| 0142 | 00000.000 | 2210006-0001 | ASSY, HEX NUT, LOCKWASHERS, 4-40 092550-SEE DRAWING EA |

List of Materials

01/28/84

| PART NUMBER | REV | DESCRIPTION..... | UM | |
|--------------|-----------|-----------------------------|---|----|
| 0994534-0001 | W | PWB ASSY, POWER SUPPLY, 810 | | |
| ITEM. | QUANTITY. | COMPONENT.. | DESCRIPTION..... | UM |
| 0143 | 00001.000 | 0996332-0006 | HEAT SINK, 4 TO-66 HOLE PATTERNS SEE TI- DRAWING | EA |
| 0143A | | | *ITEM 118 MAY BE USED AS AN SEE TI- DRAWING | |
| 0143B | | | *ALTERNATE FOR ITEM 143 SEE TI- DRAWING | |
| 0144 | 00001.000 | 0222225-2311 | NETWORK, COMPARATOR, SEE DRAWING | EA |
| 0144A | | | SEE - TI DRAWING AR3 | |
| 0148 | 00001.000 | 0996200-0001 | IC, LM376N VOLTAGE REGULATOR | EA |
| 0148A | | | NSC - LM376N AR1 | |
| 0148B | | | NSC - LM376N | |
| 0149 | 00000.000 | 0972924-0011 | CAP FIX TANT SOLID 68 MFD 10 % 15 VOLT | EA |
| 0149A | | | QPL -M39003/1-2274 *ALTERNATE FOR ITEM 76 | |
| 0150 | 00001.000 | 2363830-0002 | LABEL, SYMBOLIZATION (51MM X 13MM) | EA |
| 0151 | 00002.000 | 0085936-0065 | 1225- -000 EYELET, ROLLED FLANGE, .089 O.D. X .312 LG | EA |
| 0151A | | | * USED WITH ITEMS 119 & 120 | |
| 0156 | 00000.000 | 0538622-0065 | MOUNTING PADS, SEMICONDUCTOR DEVICES | EA |
| 0156A | | | SEE TI- DRAWING *THIS PART MUST BE USED SEE TI- DRAWING | |
| 0156B | | | *WHEN ALT ITEM 86 IS USED SEE TI- DRAWING | |
| 0157 | 00001.000 | 2360085-0001 | CLIP, INDUCTOR | EA |
| 9999 | 00000.000 | 0239999-9999 | 1255-0076-007 COST, SHRINKAGE | EA |

01/28/84

| PART NUMBER | REV | DESCRIPTION..... | UM | |
|--------------|-----------|--|--|----|
| 0994534-5001 | W | POWER SUPPLY ASSY, AUTO INSERTED PARTS | | |
| ITEM. | QUANTITY. | COMPONENT.. | DESCRIPTION..... | UM |
| 0001 | 00001.000 | 0994532-0001 | PWB, POWER SUPPLY | EA |
| 0009 | 00001.000 | 0994534-5501 | PWR SUPPLY, SEQUENCE TAPE FOR -5001 1225-4534-194 | EA |

List of Materials

01/28/84

| PART NUMBER | REV | DESCRIPTION..... | |
|--------------|-----------|-------------------------------------|--|
| 0994534-5501 | W | PWR SUPPLY, SEQUENCE TAPE FOR -5001 | |
| ITEM. | QUANTITY. | COMPONENT.. | DESCRIPTION..... UM |
| 0002 | 00001.000 | 0972460-0006 | DIODE E7918, SILICON, ZENER-1% 075222-E7918 CR16 EA |
| 0002A | | | 075222-E7918 |
| 0003 | 00006.000 | 0972932-0001 | DIODE 1N914B SEE TI- DRAWING EA |
| 0003A | | | CR25, CR27, CR30, CR31, CR41 |
| 0003B | | | SEE TI- DRAWING CR42 |
| 0004 | 00021.000 | 0539468-0002 | DIODE, 1N4002 1AMP 100PIV RECTIFIER EA |
| 0004A | | | TI - IN4002 |
| 0004B | | | CR2, CR5, CR6, CR8, CR9, CR10, TI - IN4002 |
| 0004C | | | CR11, CR12, CR13, CR14, CR15, TI - IN4002 |
| 0004D | | | CR17, CR18, CR19, CR21, CR22, TI - IN4002 |
| 0005 | 00001.000 | 0972934-0012 | DIODE, 1N757A 9.1 V 5% SIL VOLT REG EA |
| 0005A | | | QPL - 1N757A CR40 |
| 0006 | 00005.000 | 0539468-0003 | DIODE, 1N4003 1AMP 200PIV RECTIFIER EA |
| 0006A | | | TI - IN4003 CR24, CR46, CR47, CR48, CR49 |
| 0012 | 00002.000 | 0972936-0414 | RES 1.00 M-OHM .125W 1% FIXED FILM EA |
| 0012A | | | 81349R-NC55H1004FM R62, R66 |
| 0014 | 00001.000 | 0539370-0413 | RES FIX FILM 1.96K OHM 1% .25 WATT EA |
| 0014A | | | COR - NA55 R78 |
| 0015 | 00001.000 | 0539371-0630 | RESISTOR, 357K OHMS 1/8 W 50 PPM/C EA |
| 0015A | | | R75 |
| 0016 | 00001.000 | 0539370-0449 | RES FIX FILM 4.64K OHM 1% .25 WATT EA |
| 0016A | | | COR - NA55 R73 |
| 0018 | 00001.000 | 0539370-0346 | RES FIX FILM 392 OHM 1% .25 WATT EA |
| 0018A | | | COR - NA55 R59 |
| 0019 | 00001.000 | 0539370-0364 | RES FIX FILM 604 OHM 1% .25 WATT EA |
| 0019A | | | COR - NA55 R60 |
| 0020 | 00001.000 | 0539370-0369 | RES FIX FILM 681 OHM 1% .25 WATT EA |
| 0020A | | | COR - NA55 R46 |
| 0021 | 00001.000 | 0539370-0378 | RES, FIXED FILM 845 OHMS 1% .25 WATT EA |
| 0021A | | | 016299- R57 |
| 0022 | 00001.000 | 0539370-0434 | RES FIX FILM 3.24K OHM 1% .25 WATT EA |
| | | | 016299- COR - NA55 |

List of Materials

01/28/84

PART NUMBER REV DESCRIPTION.....
 0994534-5501 W PWR SUPPLY,SEQUENCE TAPE FOR -5001

| ITEM. | QUANTITY. | COMPONENT.. | DESCRIPTION..... | UM |
|-------|-----------|--------------|--|----|
| 0022A | | | R14 | |
| | | | COR - NA55 | |
| 0023 | 00001.000 | 0539370-0450 | RES FIX FILM 4.75K OHM 1% .25 WATT | EA |
| | | | COR - NA55 | |
| 0023A | | | R43 | |
| | | | COR - NA55 | |
| 0024 | 00001.000 | 0539370-0462 | RES FIX FILM 6.34K OHM 1% .25 WATT | EA |
| | | | COR - NA55 | |
| 0024A | | | R12 | |
| | | | COR - NA55 | |
| 0025 | 00001.000 | 0539370-0481 | RES FIX FILM 10.0K OHM 1% .25 WATT | EA |
| | | | COR -NA55D-100PPM/C | |
| 0025A | | | R45 | |
| | | | COR -NA55D-100PPM/C | |
| 0026 | 00001.000 | 0539370-0577 | RES FIX FILM 100 K OHM 1% .25 WATT | EA |
| | | | COR - NA55 | |
| 0026A | | | R56 | |
| | | | COR - NA55 | |
| 0027 | 00002.000 | 0539371-0672 | RES,FXD,FILM, 976KOHMS, 1%, 200 VDC | EA |
| | | | 016299-SEE DWG | |
| 0027A | | | R74,R77 | |
| | | | 016299-SEE DWG | |
| 0028 | 00001.000 | 0972946-0017 | RES FIX 10.0 OHM 5 % .25 W.CARBON FILM | EA |
| | | | ROH - R-25 | |
| 0028A | | | R7 | |
| | | | ROH - R-25 | |
| 0029 | 00002.000 | 0972946-0027 | RES FIX 27.0 OHM 5 % .25 W.CARBON FILM | EA |
| | | | ROH - R-25 | |
| 0029A | | | R11,R15 | |
| | | | ROH - R-25 | |
| 0031 | 00007.000 | 0972946-0041 | RES FIX 100 OHM 5 % .25 W CARBON FILM | EA |
| | | | ROH - R-25 | |
| 0031A | | | R50,R58,R69,R79,R100,R104 | |
| | | | ROH - R-25 | |
| 0031B | | | R105 | |
| | | | ROH - R-25 | |
| 0032 | 00001.000 | 0972946-0048 | RES FIX 200 OHM 5 % .25 W CARBON FILM | EA |
| | | | ROH - R-25 | |
| 0032A | | | R47 | |
| | | | ROH - R-25 | |
| 0034 | 00011.000 | 0972946-0065 | RES FIX 1.0K OHM 5% .25 W CARBON FILM | EA |
| | | | ROH - R-25 | |
| 0034A | | | R4,R17,R19,R21,R31,R34,R35, | |
| | | | ROH - R-25 | |
| 0034B | | | R37,R42,R71,R103 | |
| | | | ROH - R-25 | |
| 0036 | 00004.000 | 0972946-0072 | RES FIX 2.0K OHM 5 % .25 W CARBON FILM | EA |
| | | | ROH - R-25 | |
| 0036A | | | R49,R63,R89,R92 | |
| | | | ROH - R-25 | |
| 0037 | 00001.000 | 0972946-0073 | RES FIX 2.2K OHM 5 % .25 W CARBON FILM | EA |
| | | | ROH - R-25 | |
| 0037A | | | R41 | |
| | | | ROH - R-25 | |
| 0038 | 00001.000 | 0972946-0082 | RES FIX 5.1K OHM 5 % .25 W CARBON FILM | EA |
| | | | ROH - R-25 | |
| 0038A | | | R90 | |
| | | | ROH - R-25 | |
| 0039 | 00009.000 | 0972946-0089 | RES FIX 10K OHM 5% .25 W CARBON FILM | EA |
| | | | 1658- -000 | |
| 0039A | | | R3,R48,R61,R64,R65,R80,R95 | |
| | | | 1658- -000 | |

List of Materials

01/28/84

| PART NUMBER | REV | DESCRIPTION..... | UM | |
|--------------|-----------|------------------------------------|--|----|
| 0994534-5501 | W | PWR SUPPLY,SEQUENCE TAPE FOR -5001 | | |
| ITEM. | QUANTITY. | COMPONENT.. | DESCRIPTION..... | UM |
| 0039B | | | R96,R99 1658- -000 | |
| 0041 | 00001.000 | 0972946-0031 | RES FIX 39.0 OHM 5 % .25 W.CARBON FILM ROH - R-25 | EA |
| 0041A | | | R72 ROH - R-25 | |
| 0042 | 00001.000 | 0972946-0053 | RES FIX 330 OHM 5 % .25 W CARBON FILM ROH - R-25 | EA |
| 0042A | | | R44 ROH - R-25 | |
| 0043 | 00001.000 | 0972946-0015 | RES FIX 8.2 OHM 5% .25W CARBON FILM ROH - R-25 | EA |
| 0043A | | | R9 ROH - R-25 | |
| 0044 | 00001.000 | 0972946-0005 | RES FIX 3.30 OHM 5 % .25 W CARBON FILM 1271- -000 | EA |
| 0044A | | | R94 1271- -000 | |
| 0045 | 00001.000 | 0972946-0043 | RES FIX 120 OHM 5 % .25 W CARBON FILM ROH - R-25 | EA |
| 0045A | | | R6 ROH - R-25 | |
| 0046 | 00001.000 | 0972946-0139 | RES FIX 1.2M OHM 5 % .25 W CARBON FILM ROH - R-25 | EA |
| 0046A | | | R91 ROH - R-25 | |
| 0047 | 00001.000 | 0972946-0062 | RES FIX 750 OHM 5 % .25 W CARBON FILM ROH - R-25 | EA |
| 0047A | | | R18 ROH - R-25 | |
| 0048 | 00001.000 | 0972946-0061 | RES FIX 680 OHM 5 % .25 W CARBON FILM ROH - R-25 | EA |
| 0048A | | | R20 ROH - R-25 | |
| 0050 | 00003.000 | 0972947-0017 | RES FIX 10 OHM 5 % .5 W CARBON FILM ROH - R-50 | EA |
| 0050A | | | R16,R32,R36 ROH - R-50 | |
| 0051 | 00001.000 | 0972947-0050 | RES FIX 240 OHM 5% .5 W CARBON FILM ROH - R-50 | EA |
| 0051A | | | R33 ROH - R-50 | |
| 0052 | 00001.000 | 0972947-0053 | RES FIX 330 OHM 5% .5 W CARBON FILM ROH - R-50 | EA |
| 0052A | | | R8 ROH - R-50 | |
| 0053 | 00001.000 | 0972947-0057 | RES FIX 470 OHM 5% .5 W CARBON FILM ROH - R-50 | EA |
| 0053A | | | R38 ROH - R-50 | |
| 0054 | 00001.000 | 0972947-0100 | RES FIX 30 K OHM 5% .5 W CARBON FILM ROH - R-50 | EA |
| 0054A | | | R40 ROH - R-50 | |
| 0055 | 00001.000 | 0972947-0089 | RES FIX 10 K OHM 5% .5 W CARBON FILM ROH - R-50 | EA |
| 0055A | | | R2 ROH - R-50 | |
| 0060 | 00001.000 | 0539373-0333 | RES,FXFLM 287 OHM 1% R53 | EA |
| 0060A | | | | |

List of Materials

01/28/84

| PART NUMBER | REV | DESCRIPTION..... | |
|--------------|-----------|------------------------------------|---|
| 0994534-5501 | W | PWR SUPPLY,SEQUENCE TAPE FOR -5001 | |
| ITEM. | QUANTITY. | COMPONENT.. | DESCRIPTION..... UM |
| 0065 | 00001.000 | 0972924-0009 | CAP FIX TANT SOLID 3.3 MFD 10 % 15 VOLT EA QPL -M39003/1-2268 |
| 0065A | | | C26 |
| 0066 | 00005.000 | 0972763-0025 | CAPACITOR,.10UF 50V FX,CERAMIC DIEL EA COR CA-C03Z5U104Z050A |
| 0066A | | | C13,C20,C21,C22,C38 |
| 0067 | 00002.000 | 0418356-2344 | COR CA-C03Z5U104Z050A CAP FIX 0.22 MF 50V 10% TANTALUM SOLID EA SEE TI- DRAWING |
| 0067A | | | C12,C37 |
| 0068 | 00004.000 | 0972924-0018 | SEE TI- DRAWING CAP FIX TANT SOLID 6.8 UFD 10 % 35 VOLT EA QPL -M39003/1-2304 |
| 0068A | | | C14,C31,C32,C34 |
| 0069 | 00001.000 | 0972763-0013 | QPL -M39003/1-2304 CAP,FIXED .010UF 50 VOLTS EA 004222-MC105E103Z |
| 0069A | | | C6 |
| 0082 | 00001.000 | 0538429-0020 | 004222-MC105E103Z COIL RF 220 UH 7.5 OHM 103 MA LT10K EA QPL - MS90538-20 |
| 0082A | | | L2 |
| 0135 | 00001.000 | 0972946-0075 | QPL - MS90538-20 RES FIX 2.7K OHM 5 % .25 W CARBON FILM EA ROH - R-25 |
| 0135A | | | R67 |
| 0136 | 00001.000 | 0972946-0093 | RES FIX 15K OHM 5% .25 W CARBON FILM EA ROH - R-25 |
| 0136A | | | R68 |
| 0137 | 00001.000 | 0972946-0083 | RES FIX 5.6K OHM 5 % .25 W CARBON FILM EA ROH - R-25 |
| 0137A | | | R70 |
| 0139 | 00001.000 | 0972460-0005 | ROH - R-25 DIODE,SILICON,ZENER-1%,4.7V EA |
| 0139A | | | CR29 |
| 0140 | 00001.000 | 0539370-0427 | RES FIX FILM 2.74K OHM 1% .25 WATT EA COR - NA55 |
| 0140A | | | R76 |
| 0145 | 00001.000 | 0972946-0095 | COR - NA55 RES FIX 18K OHM 5% .25 W CARBON FILM EA ROH - R-25 |
| 0145A | | | R98 |
| 0146 | 00001.000 | 0972947-0055 | RES FIX 390 OHM 5% .5 W CARBON FILM EA ROH - R-50 |
| 0146A | | | R106 |
| 0147 | 00001.000 | 0972757-0025 | ROH - R-50 CAP FIX CER .01MF 10% 50V EA |
| 0147A | | | C33 |
| 0155 | 00001.000 | 0972613-0011 | FUSE, CARTRIDGE 5.0 AMPS EA SEE TI- DRAWING |
| 0155A | | | F1 |
| | | | SEE TI- DRAWING |

List of Materials

01/28/84

| PART NUMBER | REV | DESCRIPTION..... |
|--------------|-----|--------------------------------------|
| 0994534-8001 | W | PWB ASSY, POWER SUPPLY, 810 (SPARES) |

| ITEM. | QUANTITY. | COMPONENT.. | DESCRIPTION..... | UM |
|-------|-----------|--------------|--|----|
| 0001 | 00001.000 | 0994534-0001 | PWB ASSY, POWER SUPPLY, 810 1225-1534-999 | EA |

REV. NO. 994541 REVISIONS

| REV. | DESCRIPTION | DATE | APPROVED |
|------|-------------|----------|-------------|
| A | CN433620 | 8-21-79 | D. Schaefer |
| B | CN 44742 | 8-21-79 | D. Schaefer |
| C | CN 444942 | 8-22-79 | D. Schaefer |
| D | CN434033 | 11-8-79 | D. Schaefer |
| E | CN434002 | 12/17/79 | D. Schaefer |
| F | CN434002 | 12/17/79 | D. Schaefer |
| G | CN434002 | 12/17/79 | D. Schaefer |
| H | CN434002 | 12/17/79 | D. Schaefer |
| I | CN434002 | 12/17/79 | D. Schaefer |
| J | CN434002 | 12/17/79 | D. Schaefer |
| K | CN434002 | 12/17/79 | D. Schaefer |
| L | CN434002 | 12/17/79 | D. Schaefer |
| M | CN434002 | 12/17/79 | D. Schaefer |
| N | CN434002 | 12/17/79 | D. Schaefer |
| O | CN434002 | 12/17/79 | D. Schaefer |
| P | CN434002 | 12/17/79 | D. Schaefer |
| Q | CN434002 | 12/17/79 | D. Schaefer |
| R | CN434002 | 12/17/79 | D. Schaefer |
| S | CN434002 | 12/17/79 | D. Schaefer |
| T | CN434002 | 12/17/79 | D. Schaefer |
| U | CN434002 | 12/17/79 | D. Schaefer |
| V | CN434002 | 12/17/79 | D. Schaefer |
| W | CN434002 | 12/17/79 | D. Schaefer |
| X | CN434002 | 12/17/79 | D. Schaefer |
| Y | CN434002 | 12/17/79 | D. Schaefer |
| Z | CN434002 | 12/17/79 | D. Schaefer |

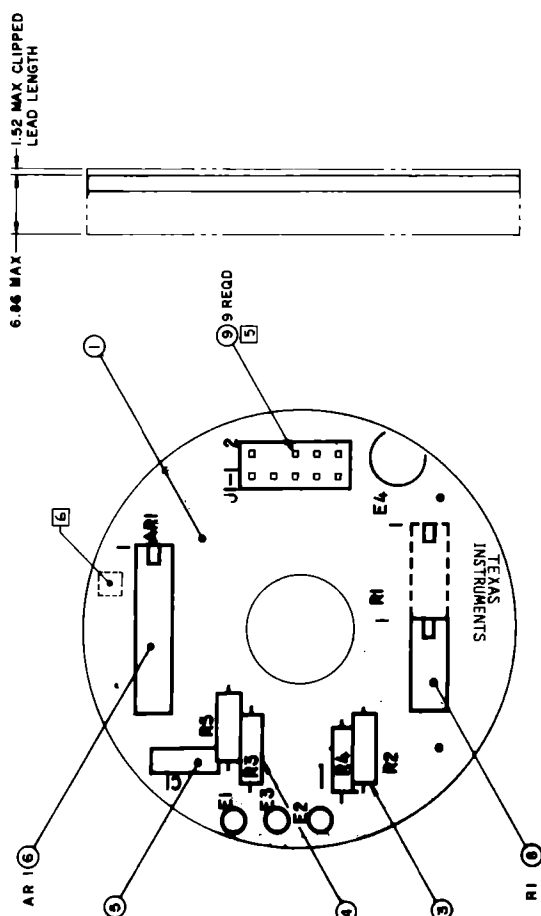
1. ALL DIMENSIONS ARE IN MILLIMETERS
 2. GENERAL TOLERANCES:
 ONE PLACE DECIMALS = ± 0.5
 TWO PLACE DECIMALS = ± 0.25
 3. CONCENTRICITY MACHINED DIAMETERS 0.25 FIM

4. RESISTOR R2 (ITEM 3) AND RESISTOR R3 (ITEM 4) ARE USED ON 994541-0002 ONLY. J1 AND J1-B ARE NOT USED.

5. ON 994541-0002, DIMENSION 7 IS REQUIRED.

6. MARK ASSEMBLY DASH NUMBER AND REVISION LETTER.

| mm | INCHES |
|------|--------|
| 0.25 | 0.10 |
| 0.5 | 0.2 |
| 1.52 | 0.60 |
| 6.96 | 2.70 |



| PART NUMBER | DESCRIPTION |
|-------------|--|
| 994541-5502 | ENCODER SEQUENCE TAPE FOR -5002 |
| 994541-5501 | ENCODER SEQUENCE TAPE FOR -5001 |
| 994541-5002 | AUTO INSERTED PARTS LIST FOR -0002 |
| 994541-5001 | AUTO INSERTED PARTS LIST FOR -0001 |
| 994541-0002 | ENCODER PRINTED CIRCUIT ASSEMBLY, IO CPU |
| 994541-0001 | ENCODER PRINTED CIRCUIT ASSEMBLY, IO CPU |

METRIC



| 1. ITEM NO. | 2. PART OR IDENTIFYING NUMBER | 3. QUANTITY | 4. NAME | 5. PART OR IDENTIFYING NUMBER | 6. QUANTITY | 7. NAME | 8. PART OR IDENTIFYING NUMBER | 9. QUANTITY | 10. NAME |
|-------------|-------------------------------|-------------|----------------------------------|-------------------------------|-------------|---------|-------------------------------|-------------|----------|
| 220/420 | B754 | | RESISTOR | | | | | | |
| 220/430 | B733 | | RESISTOR | | | | | | |
| 4320 | | | ENCODER PRINTED CIRCUIT ASSEMBLY | | | | | | |

| REV. | DATE | BY | CHKD. | NO. | CLASSIFICATION | NOTES |
|------|------|----|-------|-----|----------------|-------|
| | | | | | | |

List of Materials

01/28/84

PART NUMBER REV DESCRIPTION.....
 0994541-0001 J ENCODER,PRINTED CIRCUIT ASSY, 10 CPI

| ITEM. | QUANTITY. | COMPONENT.. | DESCRIPTION..... | UM |
|-------|-----------|--------------|------------------------------------|----|
| 0002 | REF | 0994540-0001 | SCHEMATIC,ENCODER | EA |
| 0005 | 00001.000 | 0972965-0024 | CAP FXD .100UF,10%,100V, CERAMIC | EA |
| 0005A | | | QPL - CK06BX104K | |
| | | | C1 | |
| 0009 | 00007.000 | 0972456-0002 | QPL - CK06BX104K | EA |
| 0009A | | | PIN,.025 SQUARE | |
| | | | 5935-0800-000 | |
| 0009B | | | J1-2 THRU J1-3, J1-5, J1-7 | |
| | | | 5935-0800-000 | |
| | | | THRU J1-10 | |
| | | | 5935-0800-000 | |
| 0020 | 00001.000 | 0994541-5001 | AUTO INSERTED PARTS LIST FOR -0001 | EA |
| | | | 1225-5141-050 | |

01/28/84

PART NUMBER REV DESCRIPTION.....
 0994541-0002 J ENCODER,PRINTED CIRCUIT ASSY,10/16.5 CPI

| ITEM. | QUANTITY. | COMPONENT.. | DESCRIPTION..... | UM |
|-------|-----------|--------------|------------------------------------|----|
| 0002 | REF | 0994540-0001 | SCHEMATIC,ENCODER | EA |
| 0005 | 00001.000 | 0972965-0024 | CAP FXD .100UF,10%,100V, CERAMIC | EA |
| 0005A | | | QPL - CK06BX104K | |
| | | | C1 | |
| 0009 | 00009.000 | 0972456-0002 | QPL - CK06BX104K | EA |
| 0009A | | | PIN,.025 SQUARE | |
| | | | 5935-0800-000 | |
| 0009B | | | J1-1 THRU J1-3, J1-5 THRU | |
| | | | 5935-0800-000 | |
| | | | J1-10 | |
| | | | 5935-0800-000 | |
| 0020 | 00001.000 | 0994541-5002 | AUTO INSERTED PARTS LIST FOR -0002 | EA |
| | | | 1225-5241-073 | |

01/28/84

PART NUMBER REV DESCRIPTION.....
 0994541-5001 J AUTO INSERTED PARTS LIST FOR -0001

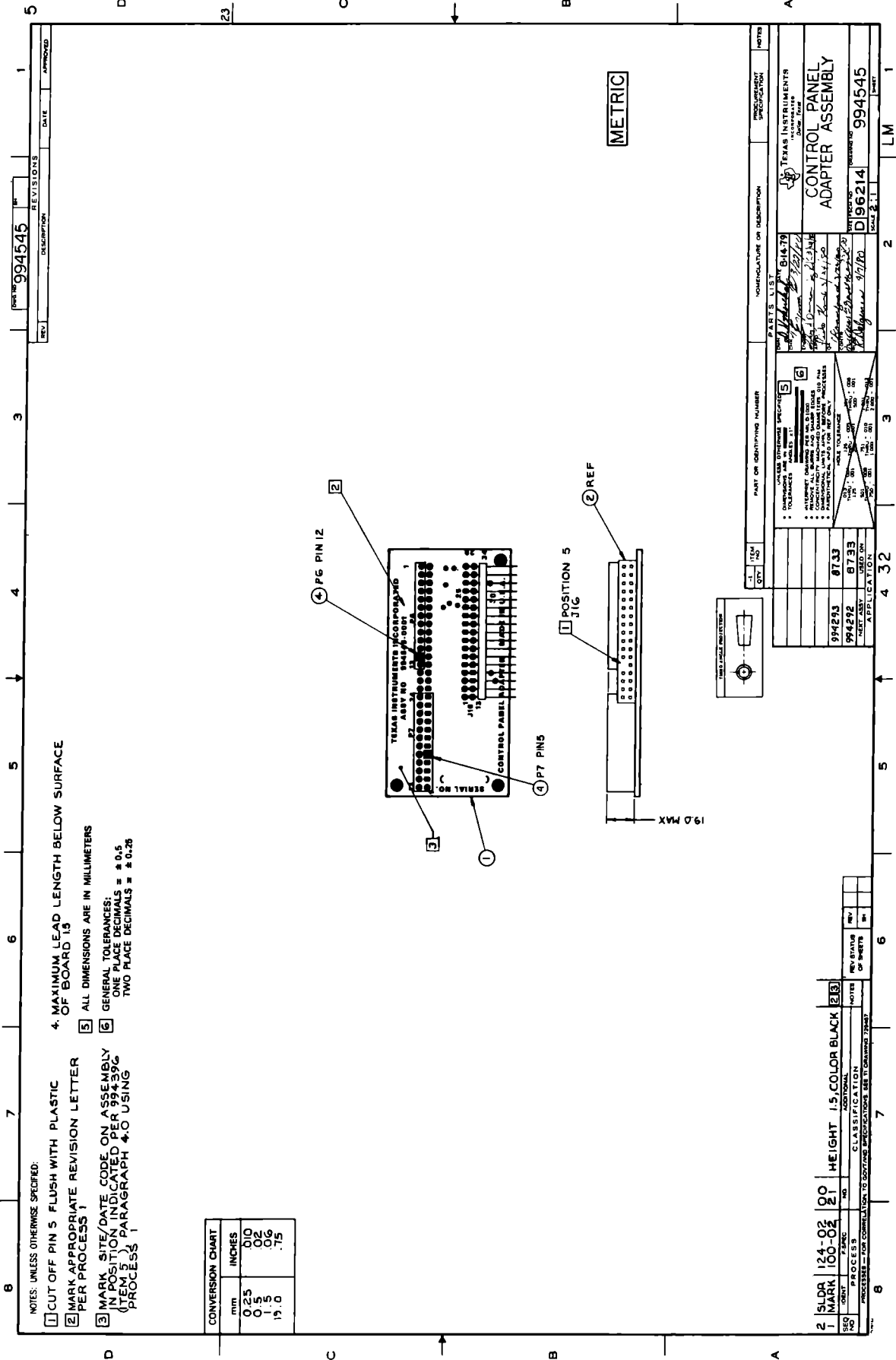
| ITEM. | QUANTITY. | COMPONENT.. | DESCRIPTION..... | UM |
|-------|-----------|--------------|---------------------------------|----|
| 0001 | 00000.047 | 0994539-0001 | PWB, ENCODER | EA |
| 0002 | 00001.000 | 0994541-5501 | ENCODER,SEQUENCE TAPE FOR -5001 | EA |
| | | | 1225-4541-063 | |
| 0006 | 00001.000 | 0972663-0001 | NETWORK,LM339N | EA |
| 0006A | | | AR1 | |
| 0008 | 00001.000 | 2210561-0001 | RESISTOR,TRIMMER,NETWORKS | EA |
| | | | 080294-SEE TI DWG | |
| 0008A | | | R1 | |
| | | | 080294-SEE TI DWG | |

List of Materials

01/28/84

PART NUMBER REV DESCRIPTION.....
 0994541-5002 J AUTO INSERTED PARTS LIST FOR -0002

| ITEM. | QUANTITY. | COMPONENT.. | DESCRIPTION..... | UM |
|-------|-----------|--------------|----------------------------------|----|
| 0001 | 00000.047 | 0994539-0001 | PWB, ENCODER | EA |
| 0002 | 00001.000 | 0994541-5502 | ENCODER, SEQUENCE TAPE FOR -5002 | EA |
| | | | 1225-5541-158 | |
| 0006 | 00001.000 | 0972663-0001 | NETWORK, LM339N | EA |
| 0006A | | | AR1 | |
| 0008 | 00001.000 | 2210565-0001 | RESISTOR, TRIMMER | EA |
| | | | 080294-SEE TI DWG | |
| 0008A | | | R1 | |
| | | | 080294-SEE TI DWG | |

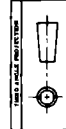


NOTES: UNLESS OTHERWISE SPECIFIED:

- CUT OFF PIN 5 FLUSH WITH PLASTIC
- MARK APPROPRIATE REVISION LETTER PER PROCESS 1
- MARK SIZE/DATE CODE ON ASSEMBLY IN POSITION 5. MARKS TO BE PLACED PER PROCESS 1, PARAGRAPH 4.0 USING PROCESS 1

| CONVERSION CHART | |
|------------------|--------|
| MM | INCHES |
| 0.25 | .010 |
| 0.5 | .02 |
| 1.5 | .06 |
| 19.0 | .75 |

| | | | | | |
|---|----------|--------|----|-------------------------|-------|
| 2 | ELDR | 124-02 | 00 | HEIGHT 1.5, COLOR BLACK | 213 |
| 1 | MARK | 100-02 | 01 | | |
| REV | REVISION | DATE | BY | DESCRIPTION | NOTES |
| 1 | PROCESS | | | CLASSIFICATION | |
| PROCESS - FOR CORRELATION TO SOFTWARE SPECIFICATIONS SEE T1 CHAINWAVE 73047 | | | | | |



| | | | |
|--------|------|------|------|
| 994293 | 8733 | 8733 | 8733 |
| 994292 | 8733 | 8733 | 8733 |
| REV | REV | REV | REV |
| 1 | 1 | 1 | 1 |
| 1 | 1 | 1 | 1 |
| 1 | 1 | 1 | 1 |
| 1 | 1 | 1 | 1 |

| | | |
|-------------|------|----------|
| DESIGNER | DATE | APPROVED |
| DESCRIPTION | DATE | APPROVED |
| 994545 | | |

TEXAS INSTRUMENTS
CONTROL PANEL ADAPTER ASSEMBLY
 PART NO. **D196214** REVISION **994545**
 SCALE 2:1

CLASS LIST
 PART OR IDENTIFYING NUMBER
 MANUFACTURE OR DESCRIPTION
 QUANTITY

UNLESS OTHERWISE SPECIFIED:
 1. TOLERANCES - MILLIMETERS
 2. DIMENSIONS - MILLIMETERS
 3. ATTENTION TO DIMENSIONS AND DIMENSIONS
 4. DIMENSIONS AND DIMENSIONS
 5. DIMENSIONS AND DIMENSIONS
 6. DIMENSIONS AND DIMENSIONS

APPLICATION
 1 2 3 4 5 6 7 8 9 10 11 12 13 14 15 16 17 18 19 20 21 22 23 24 25 26 27 28 29 30 31 32 33 34 35 36 37 38 39 40 41 42 43 44 45 46 47 48 49 50 51 52 53 54 55 56 57 58 59 60 61 62 63 64 65 66 67 68 69 70 71 72 73 74 75 76 77 78 79 80 81 82 83 84 85 86 87 88 89 90 91 92 93 94 95 96 97 98 99 100

1 2 3 4 5 6 7 8 9 10 11 12 13 14 15 16 17 18 19 20 21 22 23 24 25 26 27 28 29 30 31 32 33 34 35 36 37 38 39 40 41 42 43 44 45 46 47 48 49 50 51 52 53 54 55 56 57 58 59 60 61 62 63 64 65 66 67 68 69 70 71 72 73 74 75 76 77 78 79 80 81 82 83 84 85 86 87 88 89 90 91 92 93 94 95 96 97 98 99 100

1 2 3 4 5 6 7 8 9 10 11 12 13 14 15 16 17 18 19 20 21 22 23 24 25 26 27 28 29 30 31 32 33 34 35 36 37 38 39 40 41 42 43 44 45 46 47 48 49 50 51 52 53 54 55 56 57 58 59 60 61 62 63 64 65 66 67 68 69 70 71 72 73 74 75 76 77 78 79 80 81 82 83 84 85 86 87 88 89 90 91 92 93 94 95 96 97 98 99 100

1 2 3 4 5 6 7 8 9 10 11 12 13 14 15 16 17 18 19 20 21 22 23 24 25 26 27 28 29 30 31 32 33 34 35 36 37 38 39 40 41 42 43 44 45 46 47 48 49 50 51 52 53 54 55 56 57 58 59 60 61 62 63 64 65 66 67 68 69 70 71 72 73 74 75 76 77 78 79 80 81 82 83 84 85 86 87 88 89 90 91 92 93 94 95 96 97 98 99 100

1 2 3 4 5 6 7 8 9 10 11 12 13 14 15 16 17 18 19 20 21 22 23 24 25 26 27 28 29 30 31 32 33 34 35 36 37 38 39 40 41 42 43 44 45 46 47 48 49 50 51 52 53 54 55 56 57 58 59 60 61 62 63 64 65 66 67 68 69 70 71 72 73 74 75 76 77 78 79 80 81 82 83 84 85 86 87 88 89 90 91 92 93 94 95 96 97 98 99 100

LIST OF MATERIALS

07/15/81

| PART NUMBER | REV | DESCRIPTION..... | UM | |
|-------------|-----------|----------------------------|--|----|
| U994545 | 0001 * | ASSY CONTROL PANEL ADAPTER | | |
| ITEM. | QUANTITY. | COMPONENT.. | DESCRIPTION..... | UM |
| J001 | 00001.000 | 0994544-0001 | PWB, ADAPTER, CONTROL PNL | EA |
| U002 | 00001.000 | 0996099-0017 | HEADER, RIGHT-ANGLE, 34 CIRCUITS | EA |
| U002A | | | SEE TI- DRAWING J16 | |
| U003 | 00001.000 | 0972498-0005 | CONNECTOR, 24-POS., DUAL MINILATCH | EA |
| U003A | | | SEE TI- DRAWING P7 | |
| U004 | 00002.000 | 0800335-0001 | KEY, POLARIZATION, CONNECTOR | EA |
| U005 | REF | 0994396-9901 | BEI --65307-001 PROCEDURE, SITE & DATE CODE SERIALIZATION | EA |
| U006 | 00001.000 | 2210970-0001 | CONNECTOR, PCB, .100 CENTERS, 13-POS. | EA |
| U006A | | | SEE TI- DRAWING P6 | |
| U007 | 00000.000 | 0972498-0004 | CONNECTOR, 56-POS., DUAL MINILATCH | EA |
| U007A | | | SEE TI- DRAWING MAY BE USED AS AN ALTERNATE | |
| U007B | | | SEE TI- DRAWING FOR ITEMS 3 AND 6 | |
| U008 | REF | 0994543-0001 | SEE TI- DRAWING ELECTRONIC SCHEMATIC DIAG. ADAPTER | EA |

List of Materials

05/12/84

| PART NUMBER | REV | DESCRIPTION..... | | |
|--------------|-----------|-----------------------------------|--|----|
| 0994546-0001 | A | MOTOR ASSY,CARR DR,10 CPI,810/820 | | |
| ITEM. | QUANTITY. | COMPONENT.. | DESCRIPTION..... | UM |
| 0001 | 00001.000 | 2206620-0001 | ENCODER SUB-ASSY, STD, 810/820 0000-0000-000 | EA |
| 0002 | 00001.000 | 0994551-0001 | COMMUTATOR ASSEMBLY, 10 CPI 0000-0000-000 | EA |
| 0003 | 00001.000 | 2206629-0001 | COVER ASSEMBLY 1208-6629-000 | EA |
| 0004 | 00001.000 | 2206621-0001 | HOUSING,SUB-ASSEMBLY 0000-0000-000 | EA |
| 0005 | 00003.000 | 0972988-0010 | SCREW 2-56 X .875 PAN HEAD CRES 1202-5000-000 | EA |
| 0009 | 00002.000 | 2206627-0001 | PAW, OPTICS RETAINER 1225-1627-000 | EA |
| 0010 | 00001.000 | 2206622-0001 | MOTOR, SUB-ASSEMBLY 1225-1622-000 | EA |
| 0013 | 00001.000 | 0232708-3500 | LABEL WIRE MARKER DATABS VINYL CLOTH 1286-2208-000 | EA |
| 0014 | REF | 0994396-9901 | PROCEDURE,SITE & DATE CODE SERIALIZATION | EA |
| 0016 | 00003.000 | 0411100-0069 | LOCKWASHER #2 INTERNAL TGOOTH CRES GPL - MS35333-69 | EA |

05/12/84

| PART NUMBER | REV | DESCRIPTION..... | | |
|--------------|-----------|--|--|----|
| 0994546-0002 | M | MOTOR ASSY,CARR DR,10/16.5 CPI,810/820 | | |
| ITEM. | QUANTITY. | COMPONENT.. | DESCRIPTION..... | UM |
| 0001 | 00001.000 | 2206620-0002 | ENCODER SUB-ASSY, C.P., 810/820 0000-0000-000 | EA |
| 0002 | 00001.000 | 0994551-0002 | COMMUTATOR ASSEMBLY, 10/16.5 CPI 0000-0000-000 | EA |
| 0003 | 00001.000 | 2206629-0001 | COVER ASSEMBLY 1208-6629-000 | EA |
| 0004 | 00001.000 | 2206621-0001 | HOUSING,SUB-ASSEMBLY 0000-0000-000 | EA |
| 0005 | 00003.000 | 0972988-0010 | SCREW 2-56 X .875 PAN HEAD CRES 1202-5000-000 | EA |
| 0009 | 00002.000 | 2206627-0001 | PAW, OPTICS RETAINER 1225-1627-000 | EA |
| 0010 | 00001.000 | 2206622-0001 | MOTOR, SUB-ASSEMBLY 1225-1622-000 | EA |
| 0013 | 00001.000 | 0232208-3500 | LABEL WIRE MARKER DATABS VINYL CLOTH 1286-2208-000 | EA |
| 0014 | REF | 0994396-9901 | PROCEDURE,SITE & DATE CODE SERIALIZATION | EA |
| 0016 | 00003.000 | 0411100-0069 | LOCKWASHER #2 INTERNAL TGOOTH CRES GPL - MS35333-69 | EA |

List of Materials

01/28/84

| PART NUMBER | REV | DESCRIPTION..... | | |
|--------------|-----------|---------------------------|---|----|
| 0994555-0001 | E | CONTROL PANEL ASSY, BASIC | | |
| ITFM. | QUANTITY. | COMPONENT.. | DESCRIPTION..... | UM |
| 0001 | 00001.000 | 2206640-0001 | PANEL,CONTROL 1255-0057-020 | EA |
| 0003 | 00001.000 | 0994557-0001 | SWITCHBD ASSY, CNTL PNL, BASIC, 810 1225-1557-907 | EA |
| 0004 | 00001.000 | 2213938-0008 | OVERLAY PANEL-BASIC/FLC (RIGHT) | EA |
| 0005 | 00001.000 | 2213937-0001 | OVERLAY PANEL-BASIC (LEFT) | EA |
| 0006 | 00006.000 | 0972491-0002 | RING,RETAINING WAL -5115-12S | EA |
| 0007 | 00000.000 | 0994545-0001 | ASSY CONTROL PANEL ADAPTER 1225-1545-002 | EA |
| 0007A | | | TO BE USED WITH 994330-0001 1225-1545-002 | |
| 0007B | | | MOTHERBOARD ASSY ONLY 1225-1545-002 | |
| 0008 | AR | 0232208-3500 | LABEL WIRE MARKER DATABS VINYL CLOTH 1286-2208-000 | EA |
| 0009 | REF | 0994396-9901 | PROCEDURE,SITE & DATE CODE SERIALIZATION | EA |
| 0010 | 00007.000 | 0539480-0003 | POWER INDICATOR LED | EA |
| 0010A | | | CR21,CR22,CR23,CR24,CR26 | |
| 0010B | | | CR27,CR28 | |

01/28/84

| PART NUMBER | REV | DESCRIPTION..... | | |
|--------------|-----------|--|--|----|
| 0994555-0002 | E | CONTROL PANEL ASSY, FORMS LENGTH (FLC) | | |
| ITEM. | QUANTITY. | COMPONENT.. | DESCRIPTION..... | UM |
| 0001 | 00001.000 | 2206640-0001 | PANEL,CONTROL 1255-0057-020 | EA |
| 0002 | 00001.000 | 0994561-0001 | KNOB,CONTROL PANEL 1255-0043-012 | EA |
| 0003 | 00001.000 | 0994557-0003 | SWITCHBD ASSY, CNTL PNL, W/OPTNS, 810 1225-3557-039 | EA |
| 0004 | 00001.000 | 2213938-0008 | OVERLAY PANEL-BASIC/FLC (RIGHT) | EA |
| 0005 | 00001.000 | 2213937-0003 | OVERLAY PANEL-FORM LENGTH (LEFT) | EA |
| 0006 | 00006.000 | 0972491-0002 | RING,RETAINING WAL -5115-12S | EA |
| 0007 | 00000.000 | 0994545-0001 | ASSY CONTROL PANEL ADAPTER 1225-1545-002 | EA |
| 0007A | | | TO BE USED WITH 994330-0001 1225-1545-002 | |
| 0007B | | | MOTHERBOARD ASSY ONLY 1225-1545-002 | |
| 0008 | AR | 0232208-3500 | LABEL WIRE MARKER DATABS VINYL CLOTH 1286-2208-000 | EA |
| 0009 | REF | 0994396-9901 | PROCEDURE,SITE & DATE CODE SERIALIZATION | EA |
| 0010 | 00007.000 | 0539480-0003 | POWER INDICATOR LED | EA |
| 0010A | | | CR21,CR22,CR23,CR24,CR26 | |
| 0010B | | | CR27,CR28 | |

List of Materials

01/28/84

| PART NUMBER | REV | DESCRIPTION..... | | |
|--------------|-----------|--|--|----|
| 0994555-0003 | E | CON. PANEL ASSY,FL & COMP. PRINT (FCO) | | |
| ITEM. | QUANTITY. | COMPONENT.. | DESCRIPTION..... | UM |
| 0001 | 00001.000 | 2206640-0001 | PANEL,CONTROL 1255-0057-020 | EA |
| 0002 | 00001.000 | 0994561-0001 | KNOB,CONTROL PANEL 1255-0043-012 | EA |
| 0003 | 00001.000 | 0994557-0003 | SWITCHBD ASSY, CNTL PNL, W/OPTNS, 810 1225-3557-039 | EA |
| 0004 | 00001.000 | 2213938-0007 | OVERLAY PANEL-FLC (RIGHT) | EA |
| 0005 | 00001.000 | 2213937-0003 | OVERLAY PANEL-FORM LENGTH (LEFT) | EA |
| 0006 | 00006.000 | 0972491-0002 | RING,RETAINING WAL -5115-12S | EA |
| 0007 | 00000.000 | 0994545-0001 | ASSY CONTROL PANEL ADAPTER 1225-1545-002 | EA |
| 0007A | | | TO BE USED WITH 994330-0001 1225-1545-002 | |
| 0007B | | | MOTHERBOARD ASSY ONLY 1225-1545-002 | |
| 0008 | AR | 0232208-3500 | LABEL WIRE MARKER DATABS VINYL CLOTH 1286-2208-000 | EA |
| 0009 | REF | 0994396-9901 | PROCEDURE,SITE & DATE CODE SERIALIZATION | EA |
| 0010 | 00008.000 | 0539480-0003 | POWER INDICATOR LED | EA |
| 0010A | | | CR21,CR22,CR23,CR24,CR25 | |
| 0010B | | | CR26,CR27,CR28 | |

01/28/84

| PART NUMBER | REV | DESCRIPTION..... | | |
|--------------|-----------|---|--|----|
| 0994555-0004 | E | CONTROL PANEL ASSY,VERT. FOR CON. (VFC) | | |
| ITEM. | QUANTITY. | COMPONENT.. | DESCRIPTION..... | UM |
| 0001 | 00001.000 | 2206640-0001 | PANEL,CONTROL 1255-0057-020 | EA |
| 0002 | 00001.000 | 0994561-0001 | KNOB,CONTROL PANEL 1255-0043-012 | EA |
| 0003 | 00001.000 | 0994557-0003 | SWITCHBD ASSY, CNTL PNL, W/OPTNS, 810 1225-3557-039 | EA |
| 0004 | 00001.000 | 2213938-0006 | OVERLAY PANEL-VFC (RIGHT) | EA |
| 0005 | 00001.000 | 2213937-0002 | OVERLAY PANEL-VERTICAL FORMAT (LEFT) | EA |
| 0006 | 00006.000 | 0972491-0002 | RING,RETAINING WAL -5115-12S | EA |
| 0007 | 00000.000 | 0994545-0001 | ASSY CONTROL PANEL ADAPTER 1225-1545-002 | EA |
| 0007A | | | TO BE USED WITH 994330-0001 1225-1545-002 | |
| 0007B | | | MOTHERBOARD ASSY ONLY 1225-1545-002 | |
| 0008 | AR | 0232208-3500 | LABEL WIRE MARKER DATABS VINYL CLOTH 1286-2208-000 | EA |
| 0009 | REF | 0994396-9901 | PROCEDURE,SITE & DATE CODE SERIALIZATION | EA |
| 0010 | 00007.000 | 0539480-0003 | POWER INDICATOR LED | EA |
| 0010A | | | CR21,CR22,CR23,CR24,CR26 | |
| 0010B | | | CR27,CR28 | |

List of Materials

01/28/84

| PART NUMBER | REV | DESCRIPTION..... | | |
|--------------|-----------|--|--|----|
| 0994555-0005 | E | CON. PANEL ASSY,VFC AND COMP.PRINT (VCO) | | |
| ITEM. | QUANTITY. | COMPONENT.. | DESCRIPTION..... | UM |
| 0001 | 00001.000 | 2206640-0001 | PANEL,CONTROL 1255-0057-020 | EA |
| 0002 | 00001.000 | 0994561-0001 | KNOB,CONTROL PANEL 1255-0043-012 | EA |
| 0003 | 00001.000 | 0994557-0003 | SWITCHBD ASSY, CNTL PNL, W/OPTNS, 810 1225-3557-039 | EA |
| 0004 | 00001.000 | 2213938-0005 | OVERLAY PANEL-VFC (RIGHT) | EA |
| 0005 | 00001.000 | 2213937-0002 | OVERLAY PANEL-VERTICAL FORMAT (LEFT) | EA |
| 0006 | 00006.000 | 0972491-0002 | RING,RETAINING WAL -5115-12S | EA |
| 0007 | 00000.000 | 0994545-0001 | ASSY CONTROL PANEL ADAPTER 1225-1545-002 | EA |
| 0007A | | | TO BE USED WITH 994330-0001 1225-1545-002 | |
| 0007B | | | MOTHERBOARD ONLY 1225-1545-002 | |
| 0008 | AR | 0232208-3500 | LABEL WIRE MARKER DATABS VINYL CLOTH 1286-2208-000 | EA |
| 0009 | REF | 0994396-9901 | PROCEDURE,SITE & DATE CODE SERIALIZATION | EA |
| 0010 | 00008.000 | 0539480-0003 | POWER INDICATOR LED | EA |
| 0010A | | | CR21,CR22,CR23,CR24,CR25 | |
| 0010B | | | CR26,CR27,CR28 | |

List of Materials

05/12/84

| PART NUMBER | REV | DESCRIPTION..... | | |
|--------------|-----------|-------------------------------------|---|----|
| 0994557-J001 | M | SWITCHBD ASSY, CNFL PNL, BASIC, 81C | | |
| ITEM. | QUANTITY. | COMPONENT.. | DESCRIPTION..... | UM |
| J002 | REF | 0994559-C001 | DIAGRAM, SCHEMATIC, SWITCHBOARD | EA |
| J003 | 00009.000 | 2210868-C003 | CONTACT SPRING KEYBC SN62644-1 | EA |
| J003A | | | SEE TI- DRAWING S1, S2, S3, S4, S5, S6, S7, S13 | |
| J003B | | | SEE TI- DRAWING S14 | |
| J004 | 00001.000 | 022222-7474 | NETWORK SN7474N | EA |
| J004A | | | - 3-C00 U1 | |
| J005 | 00009.000 | 2210869-C004 | CONTACT, BUTTON, KEYBOARD SN62313-3 | EA |
| J014 | 00001.000 | 2210968-C004 | CONNECTOR, TRANSITION A-.1.905 | EA |
| J014A | | | SEE TI- DRAWING P1 | |
| J015 | 00000.000 | 0972696-C002 | CONNECTOR, PWB, 34P, FIXED, FLAT CABLE | EA |
| J015A | | | 5935-0500-C00 *USED AS AN ALTERNATE FOR 5935-0500-C00 | |
| J015B | | | *ITEM 14 5935-0500-J00 | |
| J016 | 00001.000 | 2211880-C006 | ROCKER SWITCH, DIP, 7 POS | EA |
| J016A | | | SEE TI- DRAWING S11 | |
| J019 | 00001.000 | 0994542-0001 | CABLE/CONNECTOR | EA |
| J021 | REF | 0994396-9901 | 1225-0000-000 PROCEDURE, SITE & DATE CODE SERIALIZATION | EA |
| J022 | 00000.000 | 2210868-C004 | CONTACT, SPRING, KEYBC SN62614-1 | EA |
| J022A | | | SEE TI- DRAWING *USED AS AN ALTERNATE FOR SEE TI- DRAWING | |
| J022B | | | *ITEM 3 SEE TI- DRAWING | |
| J023 | 00000.000 | 2210869-C003 | CONTACT, BUTTON, KEYBOARD, SN62300-3 | EA |
| J023A | | | SEE TI- DRAWING *USED AS AN ALTERNATE FOR SEE TI- DRAWING | |
| J023B | | | *ITEM 5 SEE TI- DRAWING | |
| J024 | 00001.000 | 0994557-5001 | AUTO INSERTED PARTS LIST FOR -J001 | EA |
| J025 | 00001.000 | 2363830-C001 | 1225-5557-041 LABEL, SYMBOLIZATION (36MM X 13MM) | EA |
| | | | 1225- -000 | |

05/12/84

| PART NUMBER | REV | DESCRIPTION..... | | |
|--------------|-----------|---------------------------------------|---|----|
| 0994557-J003 | M | SWITCHBD ASSY, CNFL PNL, W/OPTNS, 810 | | |
| ITEM. | QUANTITY. | COMPONENT.. | DESCRIPTION..... | UM |
| J002 | REF | 0994559-C001 | DIAGRAM, SCHEMATIC, SWITCHBOARD | EA |
| J003 | 00012.000 | 2210868-C003 | CONTACT SPRING KEYBC SN62644-1 | EA |
| J003A | | | SEE TI- DRAWING S1, S2, S3, S4, S5, S6, S7, S8, S9 | |
| | | | SEE TI- DRAWING | |

List of Materials

05/12/84

| PART NUMBER | REV | DESCRIPTION..... | UM | |
|--------------|-----------|---------------------------------------|--|----|
| 0994557-0003 | M | SWITCHBD ASSY, CNTL PNL, W/OPTNS, 810 | | |
| ITEM. | QUANTITY. | COMPONENT.. | DESCRIPTION..... | UM |
| 0003B | | | S10,S13,S14 | |
| 0004 | 00001.000 | 0222222-7474 | SEE TI- DRAWING NETWORK SN7474N | EA |
| 0004A | | | - 3-JJG | |
| | | | U1 | |
| | | | - 3-000 | |
| 0005 | 00012.000 | 2210869-0004 | CONTACT,BUTTON,KEYBCARD SN62313-3 | EA |
| | | | SEE TI- DRAWING | |
| 0014 | 00001.000 | 2210968-0004 | CONNECTOR,TRANSITION A-.1.905 | EA |
| | | | SEE TI- DRAWING | |
| 0014A | | | P1 | |
| | | | SEE TI- DRAWING | |
| 0015 | 00000.000 | 0972696-0002 | CONNECTOR,PWB,34P,FIXED, FLAT CABLE | EA |
| | | | 5935-0500-000 | |
| 0015A | | | *USED AS AN ALTERNATE FOR | |
| | | | 5935-0500-000 | |
| 0015B | | | *ITEM 14 | |
| | | | 5935-0500-000 | |
| 0016 | 00001.000 | 2211880-0006 | ROCKER SWITCH,DIP,7 POS | EA |
| | | | SEE TI- DRAWING | |
| 0016A | | | S11 | |
| | | | SEE TI- DRAWING | |
| 0017 | 00001.000 | 2210861-0001 | SWITCH WAFER,ROTARY SNI405 | EA |
| | | | SEE TI- DRAWING | |
| 0017A | | | S12 | |
| | | | SEE TI- DRAWING | |
| 0018 | 00001.000 | 0994542-0001 | CABLE/CONNECTOR | EA |
| | | | 1225-0000-000 | |
| 0021 | REF | 0994396-9901 | PROCEDURE,SITE & DATE CCDE SERIALIZATION | EA |
| 0022 | 00000.000 | 2210868-0004 | CONTACT,SPRING,KEYBD SN62614-1 | EA |
| | | | SEE TI- DRAWING | |
| 0022A | | | *USED AS AN ALTERNATE FOR | |
| | | | SEE TI- DRAWING | |
| 0022B | | | *ITEM 3 | |
| | | | SEE TI- DRAWING | |
| 0023 | 00000.000 | 2210869-0003 | CONTACT, BUTTON, KEYBOARD,SN62380-3 | EA |
| | | | SEE TI- DRAWING | |
| 0023A | | | *USED AS AN ALTERNATE FOR | |
| | | | SEE TI- DRAWING | |
| 0023B | | | *ITEM 5 | |
| | | | SEE TI- DRAWING | |
| 0024 | 00001.000 | 0994557-5003 | AUTO INSERTED PARTS LIST FOR -0003 | EA |
| | | | 1225-7557-366 | |
| 0025 | 00001.000 | 2363830-0001 | LABEL, SYMBOLIZATION (38MM X 13MM) | EA |
| | | | 1225- -000 | |

05/12/84

| PART NUMBER | REV | DESCRIPTION..... | UM | |
|--------------|-----------|------------------------------------|-----------------------------|----|
| 0994557-5001 | M | AUTO INSERTED PARTS LIST FOR -0001 | | |
| ITEM. | QUANTITY. | COMPONENT.. | DESCRIPTION..... | UM |
| 0001 | 00001.000 | 0994560-0001 | PWB SWITCHBOARD,CONTROL PNL | EA |
| 0002 | 00001.000 | 0994557-5501 | SEQUENCE TAPE FOR -5001 | EA |
| | | | 1225-4557-040 | |

List of Materials

05/12/84

PART NUMBER REV DESCRIPTION.....
 0994557-5003 M AUTO INSERTED PARTS LIST FOR -0003

| ITEM. | QUANTITY. | COMPONENT.. | DESCRIPTION..... | UM |
|-------|-----------|--------------|--|----|
| 0001 | 00001.000 | 0994566-0001 | PWB SWITCHBOARD, CONTROL PNL | EA |
| 0002 | 00001.000 | 0994557-5503 | SEQUENCE TAPE FOR -5003 1225-3557-366 | EA |

05/12/84

PART NUMBER REV DESCRIPTION.....
 0994557-5501 M SEQUENCE TAPE FOR -5001

| ITEM. | QUANTITY. | COMPONENT.. | DESCRIPTION..... | UM |
|-------|-----------|--------------|--|----|
| 0009 | 00001.000 | 0972763-0025 | CAPACITOR, .10UF 50V FX, CERAMIC DIELECTRIC COR CA-C0325U104Z050A | EA |
| 0009A | | | C1 | |
| 0011 | 00005.000 | 0972946-0047 | RES FIX 180 OHM 5% .25 W CARBON FILM R01 - R-25 | EA |
| 0011A | | | R1, R2, R3, R4, R6 R01 - R-25 | |
| 0012 | 00001.000 | 0972946-0057 | RES FIX 470 OHM 5% .25 W CARBON FILM R01 - R-25 | EA |
| 0012A | | | R8 R01 - R-25 | |
| 0013 | 00002.000 | 0972946-0049 | RES FIX 220 OHM 5% .25 W CARBON FILM R01 - R-25 | EA |
| 0013A | | | R9, R10 R01 - R-25 | |

05/12/84

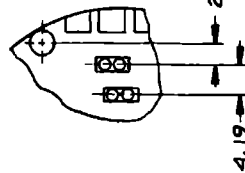
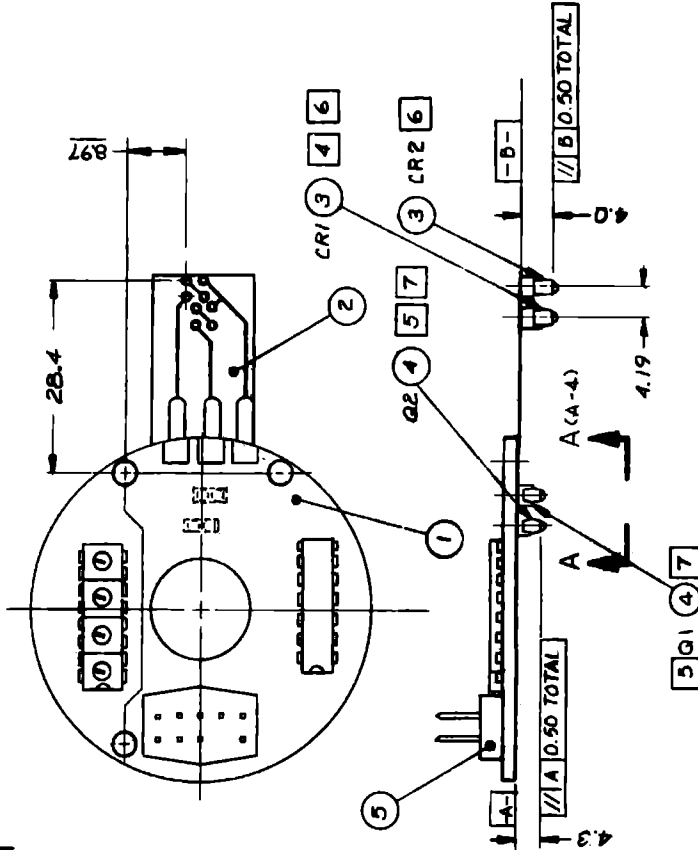
PART NUMBER REV DESCRIPTION.....
 0994557-5503 M SEQUENCE TAPE FOR -5003

| ITEM. | QUANTITY. | COMPONENT.. | DESCRIPTION..... | UM |
|-------|-----------|--------------|---|----|
| 0006 | 00001.000 | 0972932-0001 | DIODE 1N9140 SEE TI- DRAWING | EA |
| 0006A | | | CR1, CR2, CR3, CR4, CR5, CR6, CR7 | |
| 0006B | | | SEE TI- DRAWING CR8, CR9, CR10, CR11, CR12, CR13 | |
| 0006C | | | SEE TI- DRAWING CR14, CR15, CR16, CR17, CR18 | |
| 0006D | | | SEE TI- DRAWING CR19, CR20 | |
| 0009 | 00001.000 | 0972763-0025 | SEE TI- DRAWING CAPACITOR, .10UF 50V FX, CERAMIC DIELECTRIC COR CA-C0325U104Z050A | EA |
| 0009A | | | C1 | |
| 0011 | 00006.000 | 0972946-0047 | SEE TI- DRAWING RES FIX 180 OHM 5% .25 W CARBON FILM R01 - R-25 | EA |
| 0011A | | | R1, R2, R3, R4, R5, R6 R01 - R-25 | |
| 0012 | 00001.000 | 0972946-0057 | RES FIX 470 OHM 5% .25 W CARBON FILM R01 - R-25 | EA |
| 0012A | | | R8 R01 - R-25 | |
| 0013 | 00002.000 | 0972946-0049 | RES FIX 220 OHM 5% .25 W CARBON FILM R01 - R-25 | EA |
| 0013A | | | R9, R10 R01 - R-25 | |

NOTES, UNLESS OTHERWISE SPECIFIED:

- 1 ALL DIMENSIONS ARE IN MILLIMETERS
- 2 GENERAL TOLERANCES:
ONE PLACE DECIMALS = ± 0.5
TWO PLACE DECIMALS = ± 0.25
- 3 CONCENTRICITY MACHINED
DIAMETERS 0.25 FIM
- 4 CRI (ITEM 3) AND Q1 (ITEM 4) USED ON 2206620-0002 ONLY
- 5 ORIENT COLLECTOR ON THIS SIDE (TAB)
- 6 ORIENT CATHODE ON THIS SIDE (TAB)
- 7 THE LEADS OF ITEM 4 ARE NOT REQUIRED TO PROTRUDE THRU SOLDER FILLET AFTER SOLDERING

| CONVERSION CHART | |
|------------------|-----------|
| MM | INCHES |
| 0.25 | .010 |
| 0.5 | .02 |
| 2.92 | .115 |
| 3.0 | .12 |
| 4.3 | .17 |
| 2.2 | .67 |
| 4.19 | .165 |
| 4.0 | .16 |
| 9.7 | .38 |
| 8.97 | .35 |
| 28.4 | 1.12 |
| 1/16 0.50 | 1/32 .031 |



VIEW A-A
(B-3)
ROTATED 90°

-0002 SHOWN

| REV | DESCRIPTION | DATE | APPROVED |
|-----|-----------------------|---------|-------------|
| F | CNS06549(C) M. DURHAM | 2/10/84 | [Signature] |

| PART NUMBER | DESCRIPTION |
|--------------|---------------------------------|
| 2206620-0002 | ENCODER SUB-ASSY, C.P., 810/820 |
| 2206620-0001 | ENCODER SUB-ASSY, STD., 810/820 |

METRIC

| ITEM NO | QTY | PART OR IDENTIFYING NUMBER | NOMENCLATURE OR DESCRIPTION | PROUREMENT SPECIFICATION | NOTES |
|---|------|----------------------------|-----------------------------|--------------------------|-------|
| 994545 | 8733 | | ENCODER SUB ASSY, 810 / 820 | | |
| <p>1 SLDR 127-01 00</p> <p>2 PROCESS CLASSIFICATION</p> <p>3 ADDITIONAL NO</p> <p>4 PROCESS CLASSIFICATION</p> <p>5 NOTES</p> <p>6 PROCESS - FOR CORRELATION TO GOVT AND SPECIFICATIONS, SEE TI DRAWING 72647</p> | | | | | |
| <p>7 TEXAS INSTRUMENTS CORPORATION</p> <p>8 ENCLOSURE SUB ASSY, 810 / 820</p> <p>9 DRAWING NO 2206620</p> <p>10 C96214</p> <p>11 SCALE 2:1</p> <p>12 SHEET</p> | | | | | |

List of Materials

05/12/84

PART NUMBER REV DESCRIPTION.....
 220662J-J001 F ENCODER SUB-ASSY, STD, 810/820

| ITEM. | QUANTITY. | COMPONENT.. | DESCRIPTION..... | UM |
|-------|-----------|--------------|--|----|
| 0001 | 00001.000 | 0994541-0001 | ENCODER, PRINTED CIRCUIT ASSY, 10 CPI 1225-1541-050 | EA |
| 0002 | 00001.000 | 0994549-0001 | CABLE, FLEX PC 1221-1549-000 | EA |
| 0003 | 00001.000 | 2210311-0002 | DIODE, ARRAY, 2 ELEMENTS 01295T-1L42 | EA |
| 0003A | | | CR2 01295T-1L42 | |
| 0004 | 00001.000 | 2210312-0002 | PHOTOTRANSISTOR, ARRAY, 2 ELEMENTS 01295T-1L622 | EA |
| 0004A | | | Q2 01295T-1L622 | |
| 0005 | 00001.000 | 2230489-0001 | SEAL, DUST COVER, ENCODER, 810/820 0000-0000-000 | EA |

05/12/84

PART NUMBER REV DESCRIPTION.....
 220662J-J002 F ENCODER SUB-ASSY, C.P., 810/820

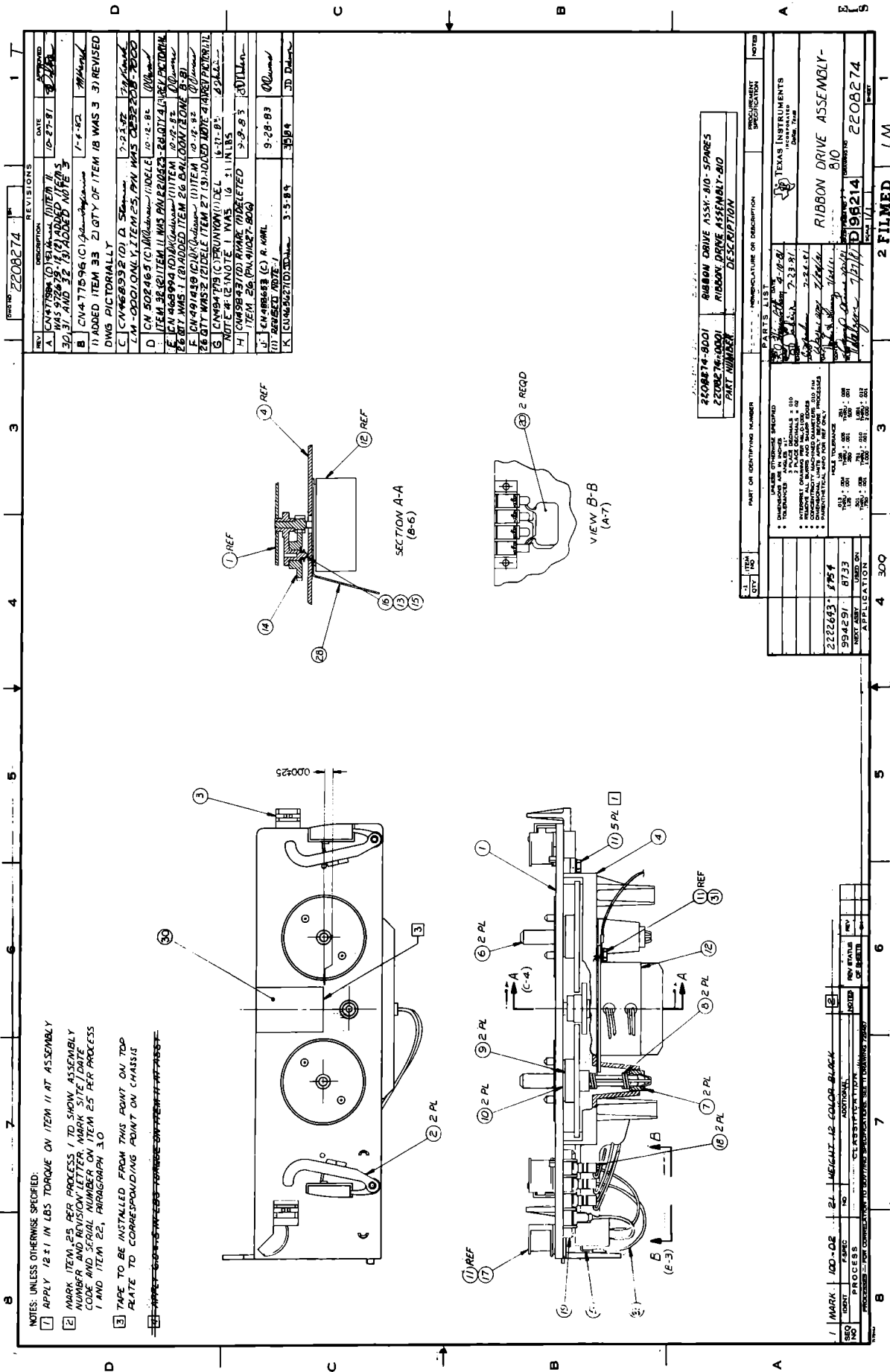
| ITEM. | QUANTITY. | COMPONENT.. | DESCRIPTION..... | UM |
|-------|-----------|--------------|---|----|
| 0001 | 00001.000 | 0994541-0002 | ENCODER, PRINTED CIRCUIT ASSY, 10/16.5 CPI 1225-2541-073 | EA |
| 0002 | 00001.000 | 0994549-0001 | CABLE, FLEX PC 1221-1549-000 | EA |
| 0003 | 00002.000 | 2210311-0002 | DIODE, ARRAY, 2 ELEMENTS 01295T-1L42 | EA |
| 0003A | | | CR1, CR2 01295T-1L42 | |
| 0004 | 00002.000 | 2210312-0002 | PHOTOTRANSISTOR, ARRAY, 2 ELEMENTS 01295T-1L622 | EA |
| 0004A | | | Q1, Q2 01295T-1L622 | |
| 0005 | 00001.000 | 2230489-0001 | SEAL, DUST COVER, ENCODER, 810/820 0000-0000-000 | EA |

List of Materials

02/04/84

PART NUMBER REV DESCRIPTION.....
2206622-0001 8 MOTOR, SUB-ASSEMBLY

| ITEM. | QUANTITY. | COMPONENT.. | DESCRIPTION..... | UM |
|-------|-----------|--------------|---|----|
| 0001 | 00001.000 | 0994206-0001 | MOTOR-D.C. SERVO 25 AMPERES ELR - 7-1417 | EA |
| 0002 | 00001.000 | 0994177-0001 | CAPSTAN,MOTOR 1255-0004-031 | EA |
| 0003 | 00001.000 | 2210037-0001 | FASTENER, PLASTIC BOSS CAPSYS-GTC204-213 | EA |



NOTES: UNLESS OTHERWISE SPECIFIED:
 1 APPLY 12 FT IN LBS TORQUE ON ITEM 11 AT ASSEMBLY
 2 MARK ITEM 25 PER PROCESS 1 TO SHOW ASSEMBLY NUMBER AND REVISION LETTER, MARK DATE, WORK CODE AND SERIAL NUMBER ON ITEM 25 PER PROCESS 1 AND ITEM 22, PARAGRAPH 3.0
 3 TAPE TO BE INSTALLED FROM THIS POINT ON TOP PLATE TO CORRESPONDING POINT ON CHASSIS
~~4 TAPE TO BE INSTALLED FROM THIS POINT ON TOP PLATE TO CORRESPONDING POINT ON CHASSIS~~

| REV | DESCRIPTION | DATE | BY | APPROVED |
|-----|-----------------------|----------|----|----------|
| A | CM477596 (C) 10-27-87 | 10-27-87 | 3 | |
| B | CM477596 (C) 10-27-87 | 10-27-87 | 3 | |
| C | CM477596 (C) 10-27-87 | 10-27-87 | 3 | |
| D | CM477596 (C) 10-27-87 | 10-27-87 | 3 | |
| E | CM477596 (C) 10-27-87 | 10-27-87 | 3 | |
| F | CM477596 (C) 10-27-87 | 10-27-87 | 3 | |
| G | CM477596 (C) 10-27-87 | 10-27-87 | 3 | |
| H | CM477596 (C) 10-27-87 | 10-27-87 | 3 | |
| I | CM477596 (C) 10-27-87 | 10-27-87 | 3 | |
| J | CM477596 (C) 10-27-87 | 10-27-87 | 3 | |
| K | CM477596 (C) 10-27-87 | 10-27-87 | 3 | |

| ITEM NO | DESCRIPTION | QUANTITY | REVISION | NOTES |
|--------------|----------------------------------|----------|----------|-------|
| 2402674-0001 | RIBBON DRIVE ASSY - BIO - SPARES | | | |
| 2402674-0001 | RIBBON DRIVE ASSEMBLY - BIO | | | |
| | DESCRIPTION | | | |

| ITEM NO | DESCRIPTION | QUANTITY | REVISION | NOTES |
|---------|-------------|----------|----------|-------|
| 2222683 | 785 | | | |
| 994291 | 8733 | | | |
| | APPLICATION | | | |

| REV | DATE | BY | APPROVED | DESCRIPTION |
|-----|--------|----|-----------------------|-------------|
| 1 | 100-02 | 21 | WEIGHT 12 COLOR BLACK | |
| 2 | | | | |
| 3 | | | | |
| 4 | | | | |
| 5 | | | | |
| 6 | | | | |
| 7 | | | | |

2 FILMED L/M

List of Materials

05/12/84

| PART NUMBER | REV | DESCRIPTION..... |
|--------------|-----------|---|
| 2208274-J001 | K | RIBBON DRIVE ASSEMBLY-810 |
| ITEM. | QUANTITY. | COMPONENT.. DESCRIPTION..... UM |
| 0001 | 0001.000 | 2208272-0001 TOP PLATE,RIBBON DRIVE-810 EA 1255-0060-024 |
| 0002 | 0002.000 | 2207639-0001 RIBBON GUIDE, TOP PLATE EA 1255-1053-019 |
| 0003 | 0001.000 | 2360040-0001 ARM, SHIFT, RIBBON-810 EA 1255-0071-014 |
| 0004 | 0001.000 | 2208273-0001 CHASSIS, RIBBON DRIVE-810 EA 1255-0061-020 |
| 0005 | 0001.000 | 0996168-0001 MINIATURE PRECISION SWITCH EA CEP - E22-00AX |
| 0006 | 0002.000 | 2207642-0001 HUB, DRIVE SPOOL, 810/820 EA 1255-1056-021 |
| 0007 | 0002.000 | 2207640-0001 BEARING, LOWER-DRIVE FUD EA 1255-1054-018 |
| 0008 | 0002.000 | 0994221-0001 SPRING, COMPRESSION-GEAR DRIVE EA |
| 0009 | 0002.000 | 2207641-0001 GEAR, DRIVE HUB-RIBBON EA 1255-1055-019 |
| 0010 | 0002.000 | 0994219-0001 PAD, FRICTION-RIBBON EA |
| 0011 | 0005.000 | 0972679-0012 SCREW # 6-19 X 3/8 SLOTTED HEX EA |
| 0012 | 0001.000 | 0996160-0002 MOTOR, SYNCHRONOUS, REVERSIBLE EA SEE TI- DRAWING |
| 0013 | 0001.000 | 0412991-0003 RING #4 PRONGS RETAINING EXTERNAL EA |
| 0014 | 0001.000 | 0994225-0001 GEAR, IDLER-REVERSE-MTR EA 1255-0014-027 |
| 0015 | 0001.000 | 0996277-0001 WASHER, SPRING, #5 EA ITW - 3502-05-32S |
| 0016 | 0001.000 | 0994226-0001 ARM, REVERSE-MTR EA 1255-0015-024 |
| 0017 | 0001.000 | 0994378-0001 GUIDE, RIBBON-LOWER LEFT EA 1255-0036-024 |
| 0018 | 0002.000 | 0994231-0001 JUMPER ASSY, RIBBON DRIVE EA 1225-1231-081 |
| 0019 | 0001.000 | 0996368-0001 TERMINAL BLOCK EA 075382-#799W/3/4ST |
| 0020 | 0002.000 | 0996330-0001 NETWORK 22 OHMS 10% #22 AWG SHIELD LEADS EA |
| 0022 | REF | 0994396-9901 PROCEDURE, SITE & DATE CODE SERIALIZATION EA |
| 0024 | REF | 0994392-9901 ELECTRONIC SCHEMATIC DIAG, POWER SUPPLY EA |
| 0025 | 0001.000 | 0232208-7000 LABEL 1X3INS RECTL SELF-ADHESIVE EA 016956-43551 |
| 0028 | 0001.000 | 2360084-0001 HEATSINK, RIBBON DRIVE MOTOR-810 EA 1680-0084-024 |
| 0029 | 0001.000 | 0994309-0001 CABLE ASSY, RIBBON DRIVE EA 1225-1309-106 |
| 0030 | AR | 2211458-0001 TAPE, ALUMINUM FOIL .0048" THICK RL SEE TI- DRAWING |
| 0031 | 0001.000 | 0994444-0001 GROUND LEAD, 6 INCH EA 1225-1444-080 |
| 0033 | 0001.000 | 2360087-0001 JUMPER ASSY, 810 RIBBON DRIVE EA 1225-1087-017 |

3.0 REQUIREMENTS:

3.1 PHYSICAL: SEE FIGURE 1

3.1.1 MATERIALS AND FINISHES:

3.1.1.1 CONDUCTORS: NUMBER 28 AWG; FULLY ANNEALED COPPER TINNED

3.1.1.2 CONDUCTOR INSULATION: UL RATED FR-1 OR BETTER PVC

3.1.1.3 CONNECTORS: GLASS-FILLED POLYESTER, UL RATED 94V-0 OR BETTER

3.1.1.4 CONTACTS: PHOSPHOR BRONZE.

3.1.1.5 CONTACT PLATING: .000030 INCH [0.00076 mm] GOLD OVER .000050 INCH
[0.00127 mm] NICKEL IN CONTACT AREA, GOLD FLASH ON REMAINDER OF CONTACT

3.1.1.6 KEYING: SEE FIGURE 1

3.1.2 MARKINGS: CONNECTOR SHALL BE MARKED PER FIGURE 1

3.2 ELECTRICAL:

3.2.1 CONNECTOR INSULATION RESISTANCE: 100,000 MEGOHMS MINIMUM

3.2.2 WITHSTANDING VOLTAGE: 300 VOLTS R.M.S.

3.2.3 CURRENT RATING: 1 AMPERE DC

3.2.4 CONTACT RESISTANCE: 15 MILLIOHMS MAXIMUM

3.2.5 IMPEDANCE: 105 OHMS MAXIMUM

3.2.6 CAPACITANCE: 14 PICOFARADS PER FOOT [49 PICOFARADS PER METER]
MAXIMUM

3.2.7 INDUCTANCE: .20 MICROHENRIES PER FOOT [0.66 MICROHENRIES PER METER]
MAXIMUM

3.2.8 PROPAGATION DELAY: 1.42 NANoseconds PER FOOT [4.66 NANoseconds PER METER]
MAXIMUM

3.2.9 CONTACT INSERTION FORCE: .50 LB [2.21 N] MAX

3.2.9.1 CONTACT WITHDRAWAL FORCE: .06 LB [0.24 N]



TEXAS INSTRUMENTS
INCORPORATED
DIGITAL SYSTEMS DIVISION
HOUSTON, TEXAS

A

2210557

SHEET 2

REV
F

- NOTES: [1] POSITION 4 SHALL BE KEYED ON -0002 ONLY. POSITIONS 4 AND 6 SHALL BE KEYED ON -0003 ONLY
- [2] POSITIONS 4, 9 AND 10 SHALL BE KEYED ON -0002 AND -0003 ONLY
3. METHOD OF INDICATING POSITIONS IS VENDOR'S OPTION

| TI DASH NUMBER | MARKING |
|----------------|---------|
| -0001 | -1 |
| -0002 | -2 |
| -0003 | -3 |

TABLE I

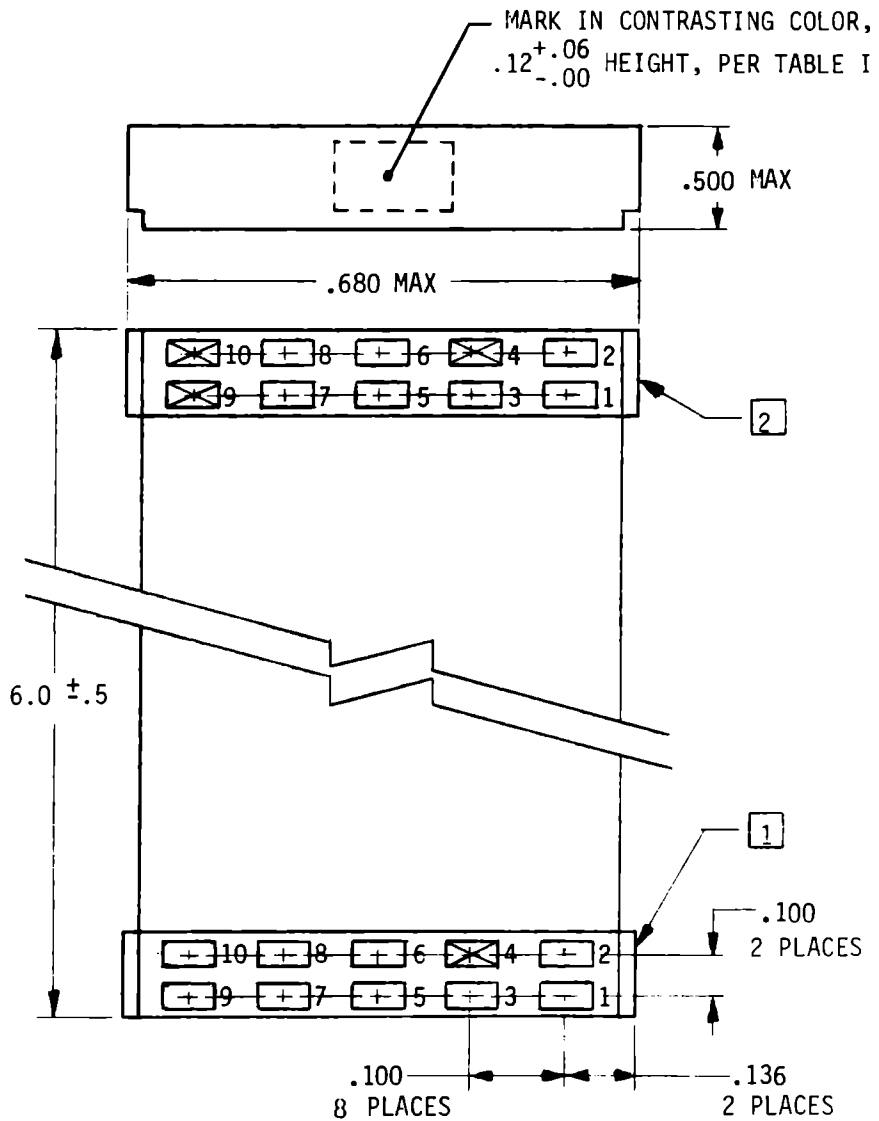


FIGURE 1

| CONVERSION CHART | |
|------------------|-------|
| INCH | mm |
| 10.0 | 254 |
| .680 | 17.27 |
| .5 | 13 |
| .500 | 12.70 |
| .136 | 3.45 |
| .12 | 3.05 |
| .100 | 2.54 |
| .06 | 1.52 |



TEXAS INSTRUMENTS
INCORPORATED
DIGITAL SYSTEMS DIVISION
HOUSTON, TEXAS

A

2210557

SHEET 3

REV
E

4.0 QUALITY ASSURANCE PROVISIONS:

4.1 RESPONSIBILITY FOR INSPECTION:

UNLESS OTHERWISE SPECIFIED IN THE CONTRACT OR PURCHASE ORDER, THE SUPPLIER SHALL BE RESPONSIBLE FOR PERFORMING INSPECTIONS THAT ARE SUFFICIENT TO ASSURE THAT THE PARTS SUPPLIED MEET THE REQUIREMENTS SPECIFIED HEREIN.

~~4.2 LOT ACCEPTANCE:~~

~~LOTS FURNISHED TO THIS SPECIFICATION SHALL BE CAPABLE OF PASSING A SAMPLING INSPECTION FOR DEFECTS TO AN ACCEPTANCE QUALITY LEVEL (AQL) OF ONE PERCENT FOR NORMAL SINGLE SAMPLING, LEVEL II, PER MIL-STD-105. FAILING LOTS SHALL BE SUBJECT TO REJECTION.~~

5.0 PREPARATION FOR DELIVERY:

5.1 PACKAGING:

PACKING AND WRAPPING SHALL BE SUFFICIENT TO PROTECT AGAINST DAMAGE OR LOSS DURING SHIPMENT FROM THE SUPPLIER TO THE DESTINATION SPECIFIED IN THE PURCHASE ORDER.

5.2 MARKING:

THE SHIPPING CONTAINER SHALL BE MARKED WITH THE TI PART NUMBER (SEE PART NUMBER BLOCK) AND THE COUNT CONTAINED. ADDITIONAL MARKINGS ARE PERMITTED.



TEXAS INSTRUMENTS
INCORPORATED
DIGITAL SYSTEMS DIVISION
HOUSTON, TEXAS

A

2210557

SHEET 4

REV
F

SUGGESTED SOURCE(S) OF SUPPLY:

1. NORVELL ELECTRONICS (NORVEL)
 14410 MIDWAY RD
 DALLAS, TX 75239

2. BERG ELECTRONICS, INC (22526)
 YORK EXPRESSWAY
 NEW CUMBERLAND, PA 17070

| TEXAS INSTRUMENTS PART NUMBER | MANUFACTURER'S PART NUMBERS | | |
|----------------------------------|-----------------------------|--|----------|
| | SOURCE 1 | SOURCE 2 | SOURCE 3 |
| 2210557-0001 | 922521 10 02 0010 | 80096-0001 (76164-010 WITH 65485-001) | |
| 2210557-0002 | 13-360 | 80096-0002 (76164-010 WITH 65485-001) | |
| 2210557-0003 | | 80096-0004 (76164-010 WITH 65485-001) | |

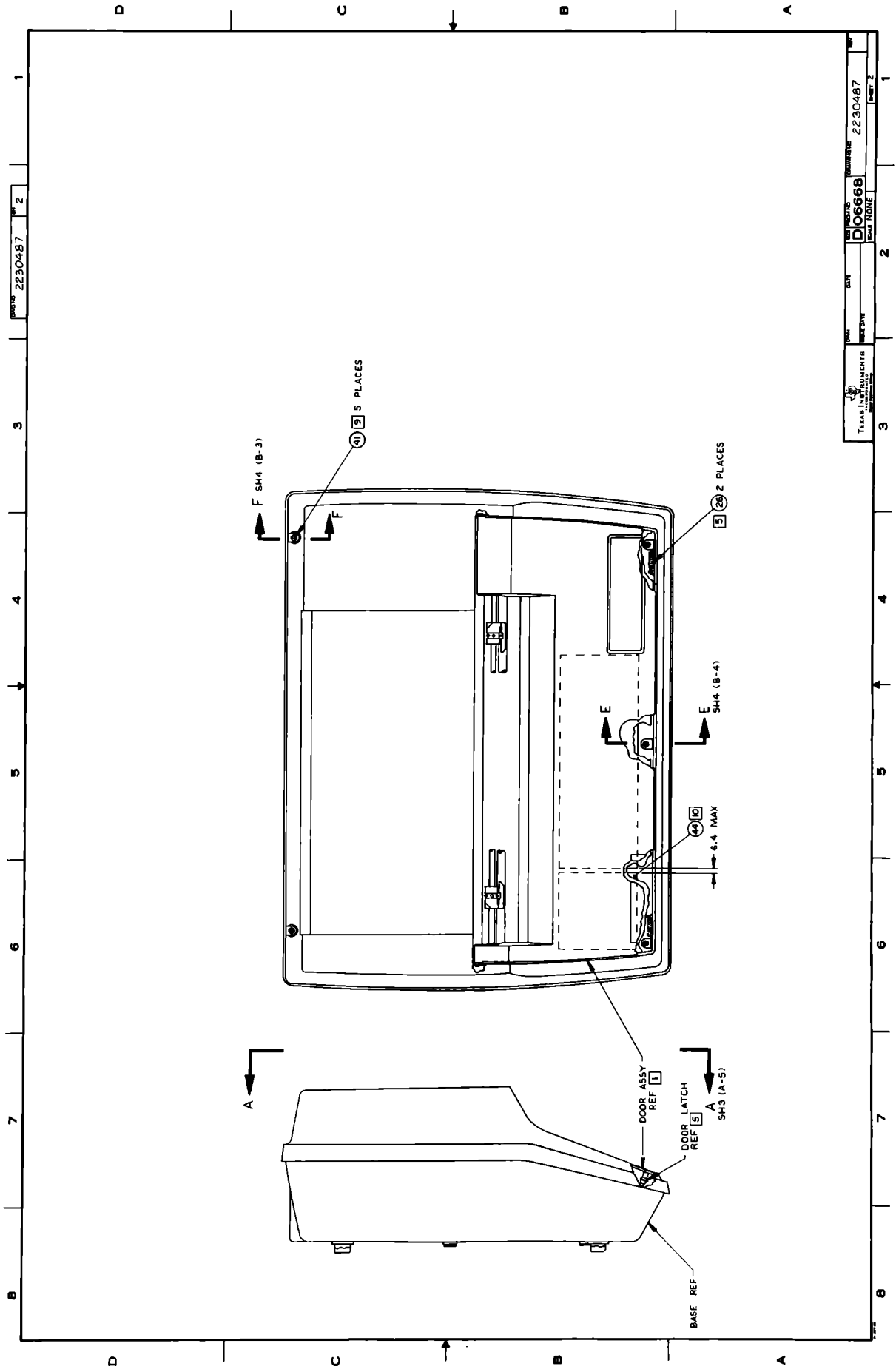
| | | | | |
|--|--|---|---------|----------|
| |  TEXAS INSTRUMENTS INCORPORATED DIGITAL SYSTEMS DIVISION HOUSTON, TEXAS | A | 2210557 | REV D |
| | | | SHEET 5 | |

TI-4259-E

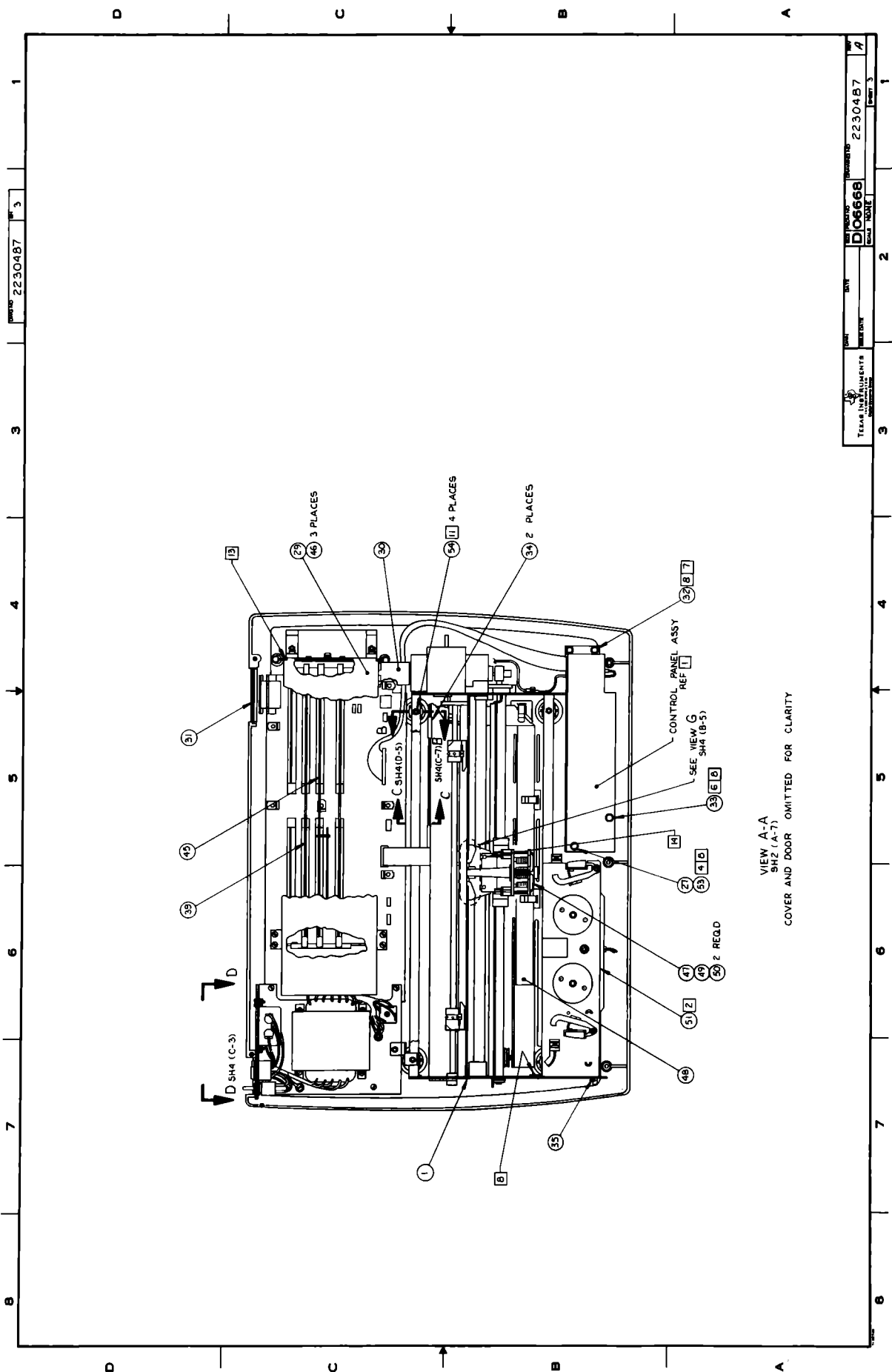
List of Materials

05/12/84

| PART NUMBER | REV | DESCRIPTION..... | | |
|--------------|-----------|--------------------------------|--|----|
| 2217374-0002 | J | PRINTHEAD ASSY, UNIVERSAL -E10 | | |
| ITEM. | QUANTITY. | COMPONENT.. | DESCRIPTION..... | UM |
| 0001 | 0001.000 | 2217367-0001 | PLATE, MOUNTING UNIVERSAL 1255-0066-012 | EA |
| 0002 | 0001.000 | 2206646-0001 | HOUSING NEEDLE 1255-0059-013 | EA |
| 0003 | 0007.000 | 2207440-0001 | CUIL, PRINTHEAD, UNIVERSAL 1225-7440-000 | EA |
| 0004 | 00126.000 | 2213915-0001 | LAMINATION, SOLENCIO | EA |
| 0005 | 0001.000 | 2213932-0001 | BEARING GUIDE, REAR 1255-0062-012 | EA |
| 0006 | 00001.000 | 0994332-0001 | BEARING, JEWELLED | EA |
| 0007 | 0001.000 | 0994282-0001 | BEARING, FRONT 1255-0024-028 | EA |
| 0008 | 0001.000 | 0994283-0001 | BEARING, REAR 1255-0025-023 | EA |
| 0009 | 0007.000 | 2215580-0001 | NEEDLE 1255-1584-022 | EA |
| 0010 | 0007.000 | 0994278-0001 | SPRING, NEEDLE, COMP .072 X .240 LONG | EA |
| 0011 | 0001.000 | 2206645-0001 | BUMPER-STOP PRINTHEAD 1255-0058-012 | EA |
| 0012 | 0001.000 | 0994245-0001 | PWB, PRINTHEAD | EA |
| 0013 | 0007.000 | 2207447-0001 | ARMATURE | EA |
| 0014 | 0001.000 | 2217366-0001 | HOLDER, LAMINATIONS UNIVERSAL 1255-0065-013 | EA |
| 0015 | 0001.000 | 2217365-0001 | HOLDER, BUMPER UNIVERSAL 1255-0064-013 | EA |
| 0016 | 0001.000 | 2211895-0011 | SCREW, TORX HD, BLK ENDURICN, TRI-LOBE SEE TI- DRAWING | EA |
| 0017 | 0002.000 | 0972355-0003 | STUD, CLINCH, .375 LONG, BRONZE 046384-KFH-440-6 | EA |
| 0018 | AR | 0996527-0002 | ADHESIVE, LOCTITE 414 SUPER BENDER 005972-414 1 OZ | BT |
| 0019 | 0001.000 | 0232208-3500 | LABEL WIRE MARKER DATABS VINYL CLCTH 1286-2208-000 | EA |
| 0020 | REF | 0994396-9901 | PROCEDURE, SITE & DATE CODE SERIALIZATION | CA |
| 0022 | 0007.000 | 2222074-0001 | SCREW, MACHINE, TORX, PAN HEAD SEE TI- DRAWING | EA |
| 0024 | REF | 2360048-0001 | PROC ULTRASONIC WELDING, NEEDLE HOUSING | EA |
| 0026 | 0001.000 | 0416622-0011 | WASHER #4 FLAT GPL - AN960C4L | EA |
| 0027 | AR | 0996527-0003 | ADHESIVE, CYANOACRYLATE, 420 SUPERBENDER 005972-SEE DRAWING | BT |



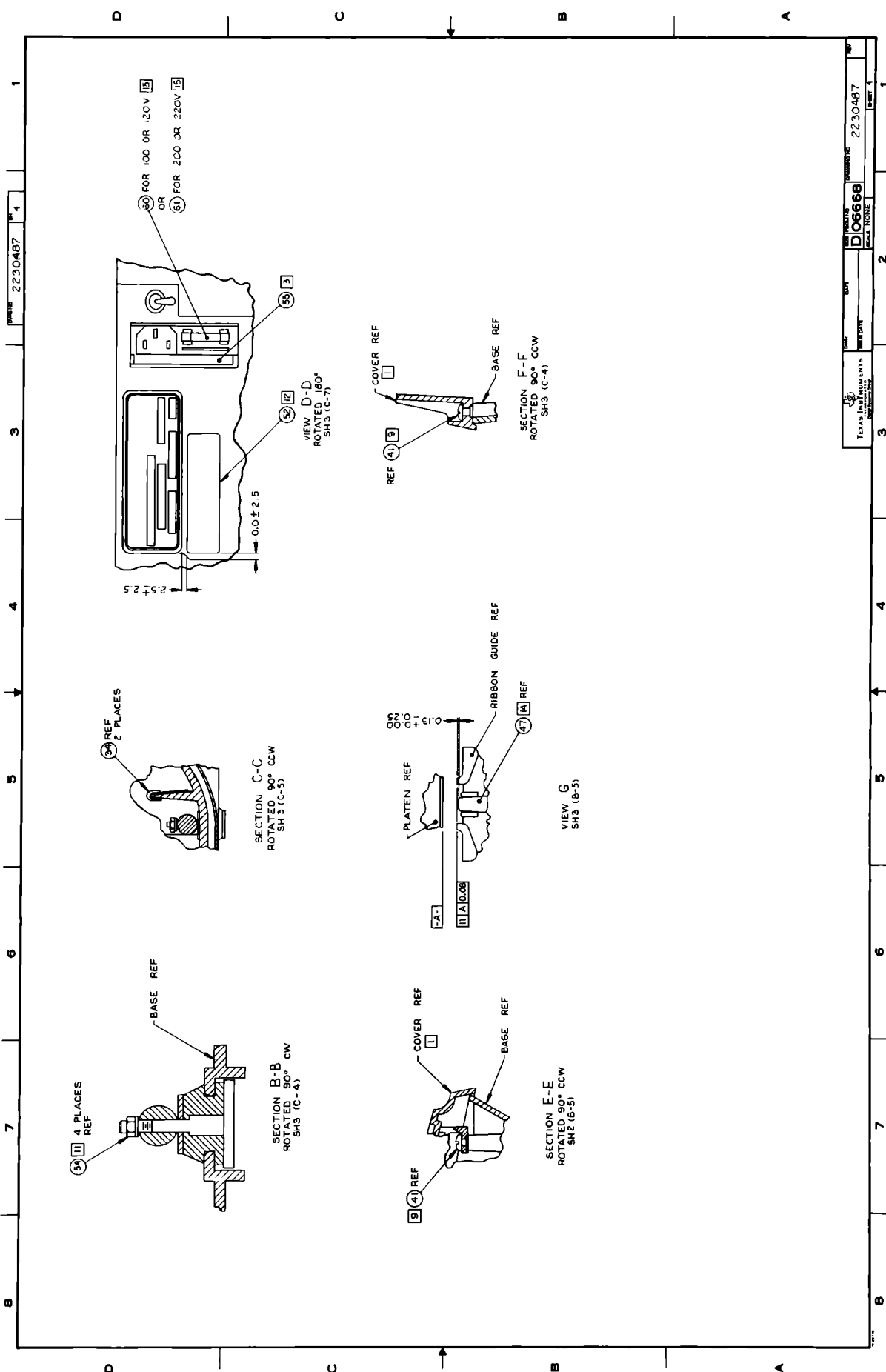
| | | | | | | | |
|-------------------|------|----|------|-------|----------|-----------|-----|
| REV | DATE | BY | CHKD | APP'D | QUANTITY | 22,304,87 | REV |
| | | | | | D 06668 | | |
| TEAR INSTRUCTIONS | | | | | 2 | | 1 |
| | | | | | 2 | | 2 |
| | | | | | 3 | | 3 |
| | | | | | 4 | | 4 |
| | | | | | 5 | | 5 |
| | | | | | 6 | | 6 |
| | | | | | 7 | | 7 |
| | | | | | 8 | | 8 |



| | | | | | |
|-----|------|----|------|-------|-------------|
| REV | DATE | BY | CHKD | APP'D | DESCRIPTION |
| | | | | | 2230487 |

| | | | | | |
|-----|------|----|------|-------|-------------|
| REV | DATE | BY | CHKD | APP'D | DESCRIPTION |
| | | | | | 2230487 |

| | | | | | |
|-----|------|----|------|-------|-------------|
| REV | DATE | BY | CHKD | APP'D | DESCRIPTION |
| | | | | | 2230487 |



2230487

2230487

| | | | | | |
|--|-----|----|------|-------|-------------|
| DATE | REV | BY | CHKD | APP'D | DESCRIPTION |
| | | | | | 2230487 |
| TEXAS INSTRUMENTS INSTRUMENTS DIVISION DALLAS, TEXAS | | | | | |

List of Materials

05/12/84

PART NUMBER REV DESCRIPTION.....
 2230487-0001 A NON-FUNCTIONAL ASSY,EXP,10 CPI-81C

| ITEM. | QUANTITY. | COMPONENT.. | DESCRIPTION..... | UM |
|-------|-----------|--------------|---|----|
| J001 | 00001.000 | 0994291-0008 | MECH ASSY,EXP,10CPI NO P/H 1225-0291-000 | EA |
| J001A | | | *REPLACES 994291-1,-3,-5,-6 1225-0291-000 | |
| J002 | 00001.000 | 2230487-1000 | NON-FUNCTIONAL ASSY,COMMON PARTS-810 1225-0487-000 | EA |

05/12/84

PART NUMBER REV DESCRIPTION.....
 2230487-0002 A NON-FUNCTIONAL ASSY,EXP,10/16.5 CPI-810

| ITEM. | QUANTITY. | COMPONENT.. | DESCRIPTION..... | UM |
|-------|-----------|--------------|---|----|
| J001 | 00001.000 | 0994291-0009 | MECH ASSY,EXP,10 & 16.5 CPI NO P/H 1225-9291-000 | EA |
| J001A | | | *REPLACES 994291-2 & -4 1225-9291-000 | |
| J002 | 00001.000 | 2230487-1000 | NON-FUNCTIONAL ASSY,COMMON PARTS-810 1225-0487-000 | EA |

05/12/84

PART NUMBER REV DESCRIPTION.....
 2230487-1000 A NON-FUNCTIONAL ASSY,COMMON PARTS-810

| ITEM. | QUANTITY. | COMPONENT.. | DESCRIPTION..... | UM |
|-------|-----------|--------------|---|----|
| J026 | 00002.000 | 0994314-0001 | SPRING,EXTENSION-LATCH | EA |
| J027 | 00001.000 | 2206610-0001 | SPACER,CONTROL PANEL 1255-0053-015 | EA |
| J028 | REF | 0994170-9901 | EQUIP SPEC,MULTICOPY R/C FORMS PRINTER | EA |
| J029 | 00001.000 | 0994340-0001 | COVER,ELECTRONICS 1680-0340-057 | EA |
| J030 | 00001.000 | 0994312-0001 | DUCT, AIR - 810 1255-0032-028 | EA |
| J031 | 00001.000 | 0994333-0001 | AUXILIARY INPUT PANEL,BLANK 1680-0333-028 | EA |
| J032 | 00002.000 | 0972969-0008 | SCREW,6-20 X 3/4 HEX WASHER HEAD | EA |
| J033 | 00001.000 | 2211943-0034 | SCREW,THD-FORMING,PAN FD,PHILLIPS,80 SEE TI- DRAWING | EA |
| J034 | 00002.000 | 0983903-0002 | CLIP,CABLE 1680-1903-038 | EA |
| J035 | 00001.000 | 2210490-0002 | CLIP,HITCH PIN,STEEL SEE TI- DWG | EA |
| J036 | REF | 0997003-9901 | TEST PROCEDURE SYSTEM TEST 810 PRINTER | EA |
| J037 | 00000.000 | 2362819-0001 | .4 PEDESTAL PACK ASSY-810 0000-0000-000 | EA |
| J038 | REF | 0994475-9901 | INSTRUCTIONS, MC 810 PACKAGING PREP | EA |
| J039 | 00001.000 | 0994244-0002 | PROCESSOR, 810 1225-2244-999 | EA |
| J040 | 00001.000 | 0994476-0001 | WINDOW, 810 PRINTER 1255-0038-034 | EA |
| J041A | | | *TO BE USED WITH REV B OR 1255-0038-034 | |
| 0040E | | | *LATER PAPER TRACTOR 1255-0038-034 | |
| 0041 | 00005.000 | 0972988-0029 | SCREW 6-32 X .438 PAN HEAD CRES | EA |

List of Materials

05/12/84

| PART NUMBER | REV | DESCRIPTION..... | UM | |
|--------------|-----------|--------------------------------------|---|----|
| 2230487-1JJJ | A | NON-FUNCTIONAL ASSY,COMMON PARTS-810 | | |
| ITEM. | QUANTITY. | COMPONENT.. | DESCRIPTION..... | UM |
| 0042 | 00000.000 | 2211943-0024 | SCREW,THD-FORMING PAN HD PHILLIPS,80 SEE TI- DRAWING | EA |
| 0042A | | | *REWORK FOR ITEM 33 SEE TI- DRAWING | |
| 0043 | 00000.000 | 2211943-0020 | SCREW,THD-FORMING PAN HD PHILLIPS,80 SEE TI- DRAWING | EA |
| 0043A | | | *REWORK FOR ITEM 32 SEE TI- DRAWING | |
| 0044 | 00001.000 | 0994351-0001 | LABEL,CCNFIGURATION 1225-1351-000 | EA |
| 0045 | 00001.000 | 0994528-0001 | 81J DRIVER 1225-1528-999 | EA |
| 0046 | 00003.000 | 2210084-0014 | SEMS,PNH, SLTD, EXT TGCTH 32UNC-2A,.375L | EA |
| 0047 | 00001.000 | 2217374-0002 | PRINthead ASSY,UNIVERSAL -810 1225-2374-000 | EA |
| 0047A | | | *REPLACES 994258-1 & -2 1225-2374-000 | |
| 0048 | 00001.000 | 0994349-0001 | CABLE ASSY, FLEX 1225-1349-116 | EA |
| 0049 | 00001.000 | 0983903-0002 | CLIP,CABLE 168J-19J3-038 | EA |
| 0050 | 00002.000 | 0994199-0001 | NUT,PRINthead | EA |
| 0051 | 00001.000 | 2208274-0001 | RIBBON DRIVE ASSEMBLY-810 1225-1274-999 | EA |
| 0052 | 00001.000 | 2220040-C0G3 | LABEL, CLASS A PERIPHERAL 20 X 75M SEE TI- DRAWING | EA |
| 0053 | 00001.000 | 2211942-0025 | SCREW,PLASTITE, PAN HD,PHILLIPS SEE TI- DRAWING | EA |
| 0054 | 00004.000 | 2210006-C004 | HEX 1J-12 NUT & LOCK WASHER ASSY 1658- -000 | EA |
| 0055 | 00000.000 | 2360042-0001 | LABEL,FUSE WARNING 1225-0000-C0C | EA |
| 0055A | | | *TO BE USED ONLY ON MACHINE 1225-0000-000 | |
| 0055B | | | *CONFIGURED FOR VOLTAGES 1225-0000-000 | |
| 0055C | | | *OTHER THAN 120V 1225-0000-000 | |
| 0056 | 00000.000 | 2211942-0034 | SCREW,PLASTITE,PHD,CROSS-RECESSED,NU 8 SEE TI- DRAWING | EA |
| 0056A | | | *REWORK FOR ITEM 53 SEE TI- DRAWING | |
| 0058 | 00000.000 | 0994244-0001 | PROCESSOR, 810; REPLACED BY -0002 1282-0000-000 | EA |
| 0058A | | | *USED ON EARLIER UNITS 1282-0000-000 | |
| 0059 | 00000.000 | 0994322-0001 | DRIVER,PRINthead AND MOTOR 1225-1322-000 | EA |
| 0059A | | | *ALTERNATE FOR ITEM 45 1225-1322-000 | |
| 0060 | 00000.000 | 0416434-0503 | FUSE 5.0 A 250V 3AG LIT - 312005 | EA |
| 0061 | 00000.000 | 0416434-0004 | FUSE 2.5 AMP 250 VOLTS | EA |
| 0061A | | | *ALTERNATE FOR ITEM 60 | |
| 9999 | 00000.000 | 0239999-9999 | COST, SHRINKAGE | EA |



List of Materials

05/12/84

| PART NUMBER | REV | DESCRIPTION..... | |
|--------------|-----------|-------------------------|---|
| 2230497-0001 | A | PWB ASSY, 20MA TTY, 810 | |
| ITEM. | QUANTITY. | COMPONENT.. | DESCRIPTION..... UM |
| 0001 | JJ001.000 | 2230498-0001 | PWB,SERIAL INTERFACE OPTION - 810 EA |
| 0005 | 00001.000 | 0972625-0001 | NETWORK OCI449 OPTICALLY COUPLED EA |
| JJ05A | | | TI -OCI449 U4 |
| 0006 | 00001.000 | 0971000-0004 | IC TIL-117 OPTICALLY CCUPLED ISOLATOR EA |
| JJ06A | | | U5 |
| 0009 | 00002.000 | 0972450-0002 | NETWORK,SN75189AN/MC1485AL QUAD LINE RCR EA |
| JJ09A | | | SEE - TI DRAWING U9,U10 |
| 0010 | 00001.000 | 0996015-0001 | IC,QUAD LINE DRIVERS SN75188N EA |
| 0010A | | | TI -SN75188N U8 |
| 0011 | JJ002.000 | 2220095-0001 | TRANSISTOR, NPN, GENERAL PURPOSE EA |
| JJ011A | | | SEE TI- DRAWING Q3,Q4 |
| 0021 | 00009.000 | 0972487-0001 | JUMPER PLUG,CONNECTOR BLACK EA |
| 0025 | 00001.000 | 0996709-0001 | IC, LM393P DIFFERENTIAL COMPARATOR EA |
| 0025A | | | 0J1295-LM393P U2 |
| 0026 | JJJJ1.000 | 0972900-7403 | NETWORK SN74LS03N EA |
| J026A | | | U3 |
| 0036 | REF | 2230499-0001 | SCHEMATIC, INTERFACE RS422 / TTY - 810 EA |
| 0038 | 00001.000 | 0413277-0005 | EJECTOR,PCB,NON-LOCKING,YELLOW EA |
| | | | SCA -S-200(YELLOW) |
| 0040 | 00028.000 | 0972456-0002 | PIN,-.025 SQUARE EA |
| J040A | | | 5935-0800-000 |
| J040B | | | E4,E5,E6,E7,E8,E9,E10,E11 |
| J040C | | | 5935-0800-000 |
| J040D | | | E12,E13,E14,E15,E16,E17,E18 |
| | | | 5935-0800-000 |
| | | | E19,E20,E21,E22,E23,E24,E25 |
| | | | 5935-0800-000 |
| | | | E26,E27,E28,E29,E30,E35 |
| | | | 5935-0800-000 |
| 0041 | 00001.000 | 2363830-C002 | LABEL,SYMBOLIZATION (51MM X 13MM) EA |
| 0101 | 00001.000 | 2230497-5501 | SEQUENCE TAPE FOR -0001 EA |
| | | | 1225-5197-005 |

List of Materials

05/12/84

| PART NUMBER | REV | DESCRIPTION..... | UM | |
|--------------|-----------|----------------------|--|----|
| 2230497-0002 | A | PWB ASSY, RS422, 810 | | |
| ITEM. | QUANTITY. | COMPONENT.. | DESCRIPTION..... | UM |
| 0001 | 0001.000 | 2230498-0001 | PWB,SERIAL INTERFACE OPTION - 810 | EA |
| 0007 | 00001.000 | 2211890-0001 | IC,9638N,DUAL DIFFERENTIAL LINE SEE TI- DRAWING U6 | EA |
| 0008 | 00001.000 | 2211889-0001 | IC,9637N,DUAL DIFFERENTIAL LINE SEE TI- DRAWING U7 | EA |
| 0009 | 00002.000 | 0972450-0002 | NETWORK,SN75189AN/MC1489AL QUAD LINE RCR SEE - TI DRAWING U9,U10 | EA |
| 0010 | 00001.000 | 0996015-0001 | IC,QUAD LINE DRIVERS SN75188N TI -SN75188N U8 | EA |
| 0021 | 00005.000 | 0972487-0001 | JUMPER PLUG,CONNECTOR BLACK 5935-J900-000 | EA |
| 0026 | 00001.000 | 0972900-7403 | NETWORK SN74LS03N U3 | EA |
| 0036 | REF | 2230499-0001 | SCHEMATIC, INTERFACE RS422 / TTY - 810 | EA |
| 0038 | 00001.000 | 0413277-0005 | EJECTOR,PCB,NON-LOCKING,YELLOW SCA -S-200(YELLOW) | EA |
| 0040 | 00016.000 | 0972456-0002 | PIN,.025 SQUARE 5935-J800-000 | EA |
| 0040A | | | E4,E5,E6,E19,E20,E21,E22 5935-0800-000 | |
| 0040B | | | E23,E24,E25,E26,E27,E28,E29 5935-0800-000 | |
| 0040C | | | E30,E35 5935-J800-000 | |
| 0041 | 00001.000 | 2363830-0002 | LABEL,SYMBOLIZATION (51MM X 13MM) 1225- -000 | EA |
| 0101 | 00001.000 | 2230497-5502 | SEQUENCE TAPE FOR -0002 1225-5297-995 | EA |

05/12/84

| PART NUMBER | REV | DESCRIPTION..... | UM | |
|--------------|-----------|--------------------------|--|----|
| 2230497-0003 | A | PWB ASSY, NO/NC TTY, 810 | | |
| ITEM. | QUANTITY. | COMPONENT.. | DESCRIPTION..... | UM |
| 0001 | 00001.000 | 2230498-0001 | PWB,SERIAL INTERFACE OPTION - 810 | EA |
| 0005 | 00001.000 | 0972625-0001 | NETWORK JCI449 OPTICALLY COUPLED TI -OCI449 U4 | EA |
| 0006 | 00002.000 | 0971000-0004 | IC TIL-117 OPTICALLY COUPLED ISOLATOR TI -OCI449 | EA |
| 0006A | | | U1,U5 | |

List of Materials

05/12/84

| PART NUMBER | REV | DESCRIPTION..... |
|--------------|-----------|--|
| 2230497-0003 | A | PWR ASSY, NG/NC TTY, 810 |
| ITEM. | QUANTITY. | COMPONENT.. DESCRIPTION..... UM |
| J009 | J0002.J00 | 0972450-0002 NETWORK,SN75189AN/MC1489AL QUAD LINE RCR EA SEE - TI DRAWING |
| J009A | | U9,U10 |
| J010 | 00001.J00 | 0996015-0001 IC,QUAD LINE DRIVERS SN75188N EA TI -SN75188N |
| 0010A | | U8 |
| 0011 | 00003.000 | 2220095-0001 TRANSISTOR, NPN, GENERAL PURPOSE EA SEE TI- DRAWING |
| J011A | | Q1,Q3,Q4 |
| 0012 | J0001.000 | 2211416-0002 TRANSISTOR,A8T2907A, PNP EA SEE TI- DRAWING |
| J012A | | Q2 |
| J021 | J001J.J00 | 0972487-0001 JUMPER PLUG,CONNECTOR BLACK EA 5935-0900-000 |
| 0025 | 00001.J00 | 0996709-0001 IC, LM393P DIFFERENTIAL COMPARATOR EA 001295-LM393P |
| J025A | | U2 |
| 0026 | J0001.000 | 0972900-7403 NETWORK SN74LS03N EA 001295-LM393P |
| J026A | | U3 |
| 0036 | REF | 2230499-0001 SCHEMATIC, INTERFACE RS422 / TTY - 810 EA |
| 0038 | 00001.000 | 0413277-0005 EJECTOR,PCB,NON-LOCKING,YELLOW EA SCA -S-200(YELLOW) |
| 0040 | 00031.000 | 0972456-0002 PIN,.025 SQUARE EA 5935-0800-000 |
| J040A | | E1,E2,E3,E4,E5,E6,E7,E8,E9 |
| 0040B | | 5935-0800-000 |
| 0040C | | E10,E11,E12,E13,E14,E15,E16 |
| 0040D | | 5935-0800-000 |
| 0040E | | E17,E18,E19,E20,E21,E22,E23 |
| 0040J | | 5935-0800-000 |
| 0040K | | E24,E25,E26,E27,E28,E29,E30 |
| 0040L | | 5935-0800-000 |
| 0040M | | E35 |
| 0041 | J0001.J00 | 2363830-0002 LABEL,SYMBOLIZATION (51MM X 13MM) EA 1225- -000 |
| 0101 | J0001.000 | 2230497-5503 SEQUENCE TAPE FOR -0003 EA 0000-J000-000 |

05/12/84

| PART NUMBER | REV | DESCRIPTION..... |
|--------------|-----------|---|
| 2230497-5501 | A | SEQUENCE TAPE FOR -0001 |
| ITEM. | QUANTITY. | COMPONENT.. DESCRIPTION..... UM |
| J004 | J0001.J00 | 0972947-0034 RES FIX 51 OHM 5% .5 W CARBON FILM EA RUH - R-50 |
| J004A | | R23 |
| 0013 | J0002.J00 | 0972947-0052 RES FIX 300 OHM 5% .5 W CARBON FILM EA ROH - R-50 |
| J013A | | R24,R25 |
| | | ROH - R-50 |

List of Materials

05/12/84

PART NUMBER REV DESCRIPTION.....
 2230497-5501 A SEQUENCE TAPE FOR -0001

| ITEM. | QUANTITY. | COMPONENT.. | DESCRIPTION..... | UM |
|-------|-----------|--------------|--|----|
| J014 | JJJJ5.000 | 0972946-0041 | RES FIX 100 OHM 5 % .25 W CARBON FILM ROH - R-25 | EA |
| 0014A | | | R6,R7,R20,R28,R29 ROH - R-25 | |
| 0015 | 00001.000 | 0972946-0046 | RES FIX 160 OHM 5 % .25 W CARBON FILM ROH - R-25 | EA |
| 0015A | | | R22 ROH - R-25 | |
| 0016 | J0001.000 | 0972946-0060 | RES FIX 620 OHM 5 % .25 W CARBON FILM ROH - R-25 | EA |
| J016A | | | R10 ROH - R-25 | |
| 0017 | J0002.000 | 0972946-0045 | RES FIX 150 OHM 5 % .25 W CARBON FILM SEE TI- DRAWING | EA |
| 0017A | | | R16,R19 SEE TI- DRAWING | |
| 0018 | JJJ01.000 | 0972946-0065 | RES FIX 1.0K OHM 5% .25 W CARBON FILM ROH - R-25 | EA |
| J018A | | | R12 ROH - R-25 | |
| J019 | JJJ02.000 | 0972946-0069 | RES FIX 1.5K OHM 5 % .25 W CARBON FILM ROH - R-25 | EA |
| 0019A | | | R8,R32 ROH - R-25 | |
| 0020 | J0001.000 | 0972946-0076 | RES FIX 3.0K OHM 5 % .25 W CARBON FILM ROH - R-25 | EA |
| J020A | | | R9 ROH - R-25 | |
| 0022 | 00006.000 | 0972946-0081 | RES FIX 4.7K OHM 5 % .25 W CARBON FILM ROH - R-25 | EA |
| 0022A | | | R13,R14,R15,R18,R26,R27 ROH - R-25 | |
| 0023 | J0002.000 | 0972946-0137 | RES FIX 1.0M OHM 5 % .25 W CARBON FILM ROH - R-25 | EA |
| 0023A | | | R5,R21 ROH - R-25 | |
| 0024 | J0001.000 | 0972946-0109 | RES FIX 68 K OHM 5 % .25 W CARBON FILM ROH - R-25 | EA |
| 0024A | | | R31 ROH - R-25 | |
| 0029 | J0004.000 | 2211205-0012 | CAP,FXD,1 UF,50 VDC,ELECTROLYTIC SEE TI- DRAWING | EA |
| J029A | | | C5,C13,C15,C18 SEE TI- DRAWING | |
| 0030 | 00012.000 | 0972763-0013 | CAP,FIXED .010UF 50 VOLTS 004222-MC105E103Z | EA |
| 0030A | | | C1,C4,C6,C7,C8,C9,C10,C11, 004222-MC105E103Z | |
| 0030B | | | C12,C14,C16,C17 004222-MC105E103Z | |
| 0031 | J0001.000 | 0972934-0006 | DIODE,1N751A 5.1 V 5% SIL VCLT REG QPL - 1N751A | EA |
| 0031A | | | CR3 QPL - 1N751A | |
| 0032 | J0005.000 | 0972932-0001 | DIODE 1N914B SEE TI- DRAWING | EA |
| 0032A | | | CR1,CR8,CR9,CR12,CR13 SEE TI- DRAWING | |

List of Materials

05/12/84

| PART NUMBER | REV | DESCRIPTION..... | UM | |
|--------------|-----------|-------------------------|--|----|
| 2230497-5501 | A | SEQUENCE TAPE FOR -0001 | | |
| ITEM. | QUANTITY. | COMPONENT.. | DESCRIPTION..... | UM |
| J033 | 00001.000 | 0539468-0003 | DIODE, 1N4003 1AMP 200PIV RECTIFIER TI - IN4003 | EA |
| 0033A | | | CR2 TI - IN4003 | |
| 0035 | 00001.000 | 0972946-0075 | RES FIX 2.7K OHM 5 % .25 W CARBON FILM RCH - R-25 | EA |
| J035A | | | R11 ROH - R-25 | |
| 0037 | 00000.067 | 0411400-0022 | WIRE 22AWG ELETRO-TIN-PLATED, COPPER - - -000 | FT |
| J037A | | | E33, E34 - - -000 | |

05/12/84

| PART NUMBER | REV | DESCRIPTION..... | UM | |
|--------------|-----------|-------------------------|--|----|
| 2230497-5502 | A | SEQUENCE TAPE FOR -0002 | | |
| ITEM. | QUANTITY. | COMPONENT.. | DESCRIPTION..... | UM |
| J033 | J0001.000 | 0972946-0082 | RES FIX 5.1K OHM 5 % .25 W CARBON FILM ROH - R-25 | EA |
| 0003A | | | R17 ROH - R-25 | |
| 0014 | 00002.000 | 0972946-0041 | RES FIX 100 OHM 5 % .25 W CARBON FILM ROH - R-25 | EA |
| 0014A | | | R28, R29 ROH - R-25 | |
| 0019 | J0001.000 | 0972946-0069 | RES FIX 1.5K OHM 5 % .25 W CARBON FILM ROH - R-25 | EA |
| J019A | | | R32 ROH - R-25 | |
| 0022 | J0007.000 | 0972946-0081 | RES FIX 4.7K OHM 5 % .25 W CARBON FILM RCH - R-25 | EA |
| J022A | | | R13, R14, R15, R18, R26, R27, R30 ROH - R-25 | |
| 0029 | 00004.000 | 2211205-0012 | CAP, FXD, 1 UF, 50 VDC, ELECTROLYTIC SEE TI- DRAWING | EA |
| 0029A | | | C5, C13, C15, C18 SEE TI- DRAWING | |
| 0030 | 00012.000 | 0972763-0013 | CAP, FIXED .010UF 50 VOLTS 004222-MC105E103Z | EA |
| 0030A | | | C1, C4, C6, C7, C8, C9, C10, C11 004222-MC105E103Z | |
| 0030B | | | C12, C14, C16, C17 004222-MC105E103Z | |
| 0032 | 00002.000 | 0972932-0001 | DIODE 1N914B SEE TI- DRAWING | EA |
| 0032A | | | CR12, CR13 SEE TI- DRAWING | |
| 0036 | J0006.000 | 2220964-0001 | DIODE, TRANSIENT SUPPRESSOR, BI-DIRECTIONAL SEE TI- DRAWING | EA |
| 0036A | | | CR4, CR5, CR6, CR7, CR10, CR11 SEE TI- DRAWING | |
| 0037 | J0000.067 | 0411400-0022 | WIRE 22AWG ELETRO-TIN-PLATED, COPPER - - -000 | FT |
| J037A | | | E31, E32 - - -000 | |

List of Materials

05/12/84

| PART NUMBER | | REV | DESCRIPTION..... | | |
|--------------|-----------|--------------|--|----|--|
| 2230497-5503 | | A | SEQUENCE TAPE FOR -3003 | | |
| ITEM. | QUANTITY. | COMPONENT.. | DESCRIPTION..... | UM | |
| 0004 | 00001.000 | 0972947-0034 | RES FIX 51 OHM 5 % .5 W CARBON FILM ROH - R-50 | EA | |
| 0004A | | | R23 | | |
| 0013 | 00002.000 | 0972947-0052 | RES FIX 300 OHM 5% .5 W CARBON FILM ROH - R-50 | EA | |
| 0013A | | | R24,R25 | | |
| 0014 | 00005.000 | 0972946-0041 | RES FIX 100 OHM 5 % .25 W CARBON FILM ROH - R-25 | EA | |
| 0014A | | | R6,R7,R20,R28,R29 | | |
| 0015 | 00001.000 | 0972946-0046 | RES FIX 160 OHM 5 % .25 W CARBON FILM ROH - R-25 | EA | |
| 0015A | | | R22 | | |
| 0016 | 00001.000 | 0972946-0060 | RES FIX 620 OHM 5 % .25 W CARBON FILM ROH - R-25 | EA | |
| 0016A | | | R10 | | |
| 0017 | 00003.000 | 0972946-0045 | RES FIX 150 OHM 5 % .25 W CARBON FILM SEE TI- DRAWING | EA | |
| 0017A | | | R1,R16,R19 | | |
| 0018 | 00001.000 | 0972946-0065 | RES FIX 1.0K OHM 5% .25 W CARBON FILM ROH - R-25 | EA | |
| 0018A | | | R12 | | |
| 0019 | 00002.000 | 0972946-0069 | RES FIX 1.5K OHM 5 % .25 W CARBON FILM ROH - R-25 | EA | |
| 0019A | | | R8,R32 | | |
| 0020 | 00001.000 | 0972946-0076 | RES FIX 3.0K OHM 5 % .25 W CARBON FILM ROH - R-25 | EA | |
| 0020A | | | R9 | | |
| 0022 | 00006.000 | 0972946-0081 | RES FIX 4.7K OHM 5 % .25 W CARBON FILM ROH - R-25 | EA | |
| 0022A | | | R13,R14,R15,R18,R26,R27 | | |
| 0023 | 00004.000 | 0972946-0137 | RES FIX 1.0M OHM 5 % .25 W CARBON FILM ROH - R-25 | EA | |
| 0023A | | | R2,R3,R5,R21 | | |
| 0024 | 00001.000 | 0972946-0109 | RES FIX 68 K OHM 5 % .25 W CARBON FILM ROH - R-25 | EA | |
| 0024A | | | R31 | | |
| 0029 | 00004.000 | 2211205-0012 | CAP,FXD,1 UF,50 VDC,ELECTROLYTIC SEE TI- DRAWING | EA | |
| 0029A | | | C5,C13,C15,C18 | | |
| 0030 | 00012.000 | 0972763-0013 | CAP,FIXED .010UF 50 VOLTS 004222-MC105E103Z | EA | |
| 0030A | | | C1,C4,C6,C7,C8,C9,C10,C11 | | |
| 0030B | | | 004222-MC105E103Z | | |
| 0031 | 00001.000 | 0972934-0006 | C12,C14,C16,C17 004222-MC105E103Z | EA | |
| | | | DIODE,1N751A 5.1 V 5% SIL VOLT REG QPL - 1N751A | | |

List of Materials

05/12/84

PART NUMBER REV DESCRIPTION.....
 2230497-5503 A SEQUENCE TAPE FOR -0003

| ITEM. | QUANTITY. | COMPONENT.. | DESCRIPTION..... | UM |
|-------|-----------|--------------|--|----|
| J031A | | | CR3 | |
| 0032 | 00005.000 | 0972932-0001 | QPL - 1N751A DIODE 1N914B | EA |
| 0032A | | | SEE TI- DRAWING | |
| 0033 | 00001.000 | 0539468-0003 | CR1,CR8,CR9,CR12,CR13 SEE TI- DRAWING | |
| 0033A | | | DIODE,1N4003 1AMP 200PIV RECTIFIER | EA |
| 0034 | 00001.000 | 0972946-0115 | TI - 1N4003 CR2 TI - 1N4003 | |
| J034A | | | RES FIX 120K OHM 5 % .25 W CARBON FILM | EA |
| 0035 | 00001.000 | 0972946-0075 | ROH - R-25 | |
| J035A | | | R4 ROH - R-25 | |
| 0037 | 00000.067 | 0411400-0022 | RES FIX 2.7K OHM 5 % .25 W CARBON FILM | EA |
| J037A | | | ROH - R-25 R11 ROH - R-25 | |
| | | | WIRE 22AWG ELETRO-TIN-PLATED,COPPER | FT |
| | | | - - -000 | |
| | | | E33,E34 | |
| | | | - - -000 | |

2230787

| REV | DESCRIPTION | DATE | APPROVED |
|-----|----------------|---------|----------|
| 1 | LM UPDATE | | |
| 2 | FORMAL RELEASE | 3/27/75 | |

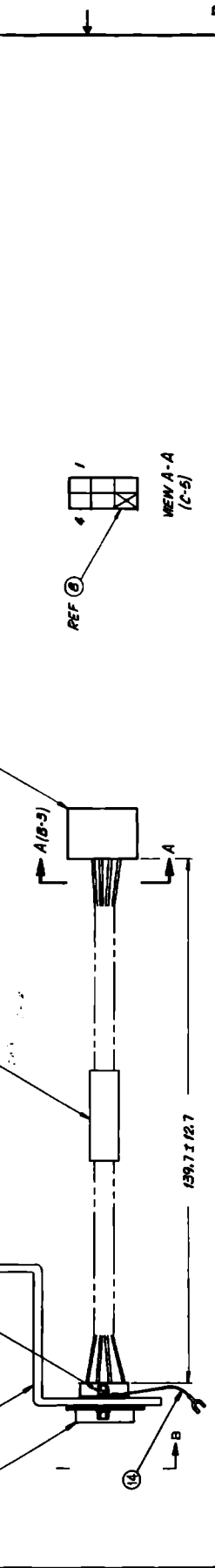
TO ITEM NO BLDGIC (3) LM QTY ITEM 2 - ID ON 5002
 WAS 4

| WIRE NO. | DESCRIPTION | SIGNATURE | START STATION | FINISH STATION | REMARKS | ITEM NO. |
|----------|-------------|-----------|---------------|----------------|---------|----------|
| 1 | 22 AWG RED | TYM/TD/R | PIB-4 | J19-19 | | 6 |
| 2 | 22 AWG RED | TYM/TD/R | PIB-4 | J19-2 | | 6 |
| 3 | 22 AWG WHT | TYM/TD/R | PIB-1 | J19-19 | | 6 |
| 4 | 22 AWG GRN | TYM/TD/R | PIB-5 | J19-17 | | 6 |

0000 WIRE LIST

| WIRE NO. | DESCRIPTION | SIGNATURE | START STATION | FINISH STATION | REMARKS | ITEM NO. |
|----------|-------------|-----------|---------------|----------------|---------|----------|
| 1 | 22 AWG RED | ROY/D/R | PIB-4 | J19-19 | | 6 |
| 2 | 22 AWG BLK | WMT/D/R | PIB-2 | J19-26 | | 6 |
| 3 | 22 AWG WHT | WMT/D/R | PIB-1 | J19-19 | | 6 |
| 4 | 22 AWG GRN | ROY/D/R | PIB-5 | J19-17 | | 6 |
| 5 | 22 AWG GRN | GND | PIB-3 | J19-17 | | 6 |

0000 WIRE LIST



2 PLACES SEE VIEW A (A-7)

4 REOD (1) J19-1

2 4 REOD (2) 3 P1/5

VIEW A-A (C-5)

REF 1

REF 5

FLAT LOCK NUT

FLAT

VIEW A (C-7)

VIEW B-B

139.7 ± 0.27

1.27

2230787

SI-METRIC

CABLE ASSEMBLY INTERFACE OPTION - 810

2230787

2 FILMED LM DB 1

9-263

List of Materials

01/28/84

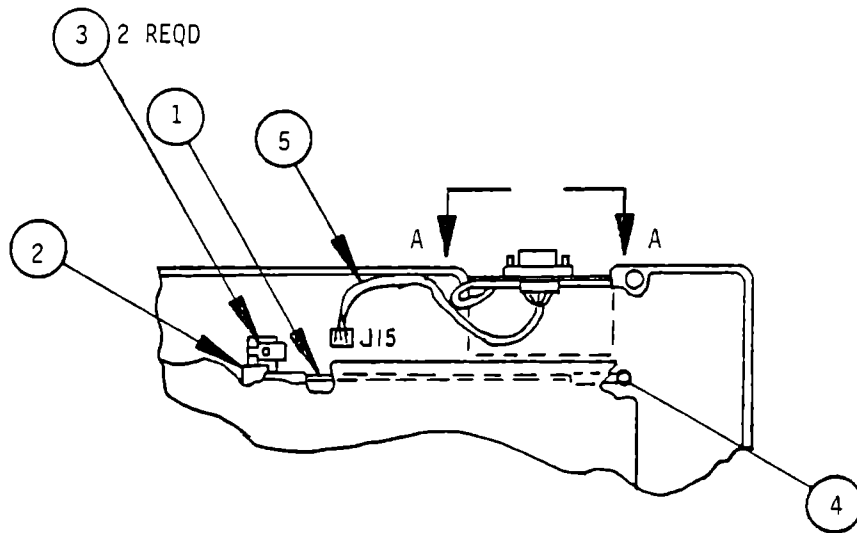
PART NUMBER REV DESCRIPTION.....
 2230787-0002 F CABLE ASSY, RS422 - 810

| ITEM. | QUANTITY. | COMPONENT.. | DESCRIPTION..... | UM |
|-------|-----------|--------------|---|----|
| 0001 | 00001.000 | 0539409-0006 | CONNECTOR, RCPT 25 PINS AMP -205207-1 | EA |
| 0003 | 00001.000 | 0996566-0003 | HOUSING, CONN.-SELF-RET. CON., 6 POS. 87133--7 | EA |
| 0005 | 00001.000 | 2360076-0003 | BRACKET, AUXILIARY INPUT, TRIAD 1680-3076-002 | EA |
| 0007 | 00001.000 | 0808129-0001 | CONNECTOR, ELECT SCREW-LOCK ASSY FEMALE 081349-M24308/26-1 | EA |
| 0009 | 00001.000 | 2230787-5002 | BULK CABLE MATERIAL FOR 2230787-0002 1225-0087-008 | EA |
| 0014 | 00001.000 | 2222694-0001 | LEAD, ELECTRICAL GROUND 1225-1694-002 | EA |

01/28/84

PART NUMBER REV DESCRIPTION.....
 2230787-5002 F BULK CABLE MATERIAL FOR 2230787-0002

| ITEM. | QUANTITY. | COMPONENT.. | DESCRIPTION..... | UM |
|-------|-----------|--------------|---|----|
| 0002 | 00005.000 | 0972104-0001 | CONTACT ELEC-LOCKING, WIRE-TD. 025 SQ POST AMP - 87124-1 | EA |
| 0006 | 00000.500 | 0972444-0012 | CABLE, 5COND, 22 AWG, 300 MV, PVC INSULATED 054387-2504-224 UL | FT |
| 0008 | 00001.000 | 0996497-0001 | KEYING PLUG CONNECTOR 086286--1 | EA |
| 0010 | 00005.000 | 0539430-0004 | CONTACT, SOCKET 24-20AWG .068 INSUL DIA AMP -205201-3 ST | EA |
| 0012 | 00001.000 | 2210317-0001 | LABEL, BLANK, CABLE MARKER 085480-SLPF-19319-4 | EA |
| 0013 | REF | 2265070-0001 | SPEC, PRE-PRINTED CABLE MARKER | EA |



RS422 INTERFACE KIT
 INSTALLATION
 FOR 810

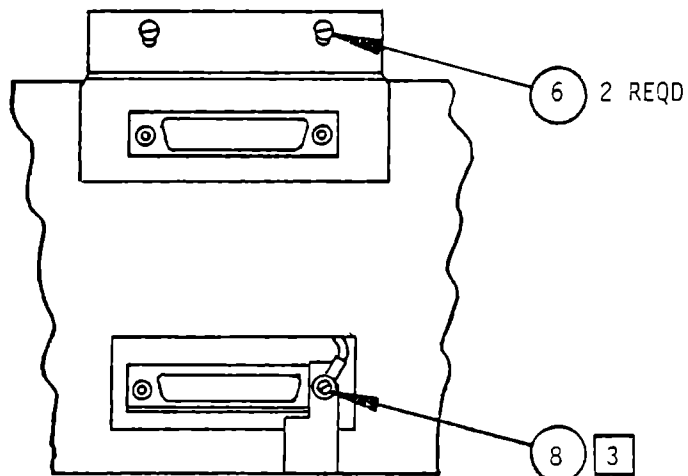


FIGURE 1
 (-0001 ONLY)

VIEW A-A
 (ROTATED 180 CW)
 GROUND WIRE INSTALLATION



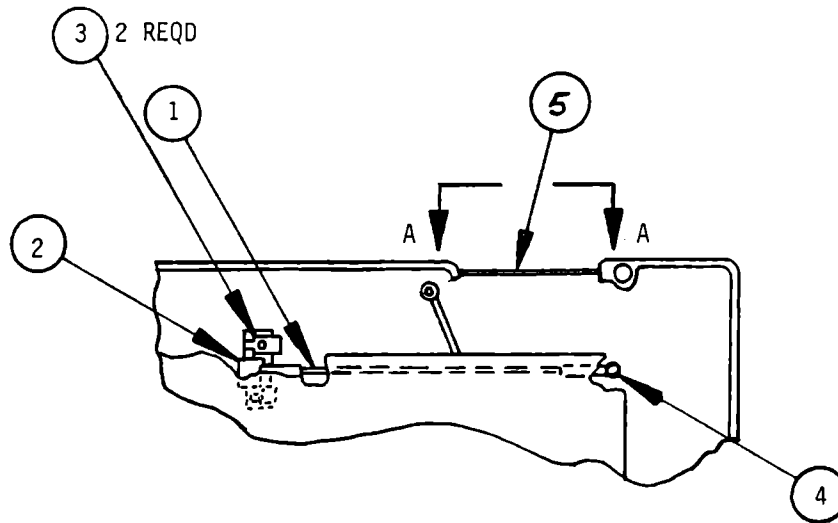
TEXAS INSTRUMENTS
 INCORPORATED
 Digital Systems Group

SIZE
A

2230789

SHEET 2

REV
E



RS422 INTERFACE KIT
INSTALLATION
FOR 880

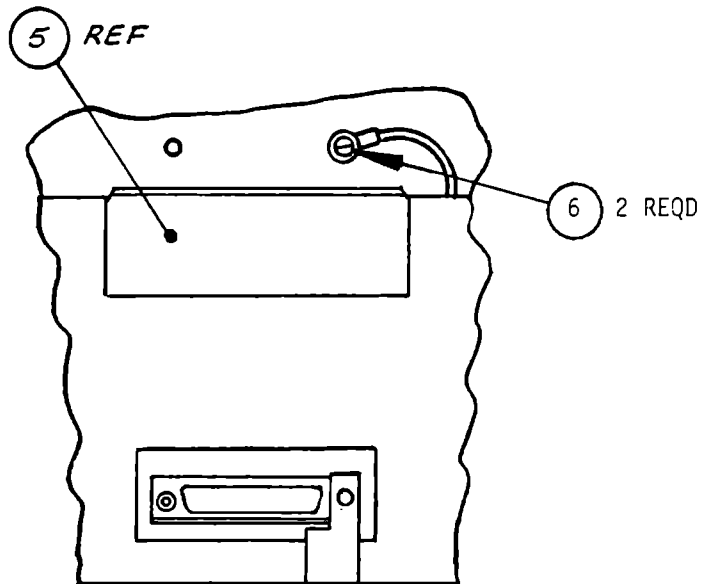


FIGURE 2
(-0002 ONLY)

VIEW A-A
(ROTATED 180 CW)
GROUND WIRE INSTALLATION



TEXAS INSTRUMENTS
INCORPORATED
Digital Systems Group

SIZE
A

2230789

SHEET 3

REV
E

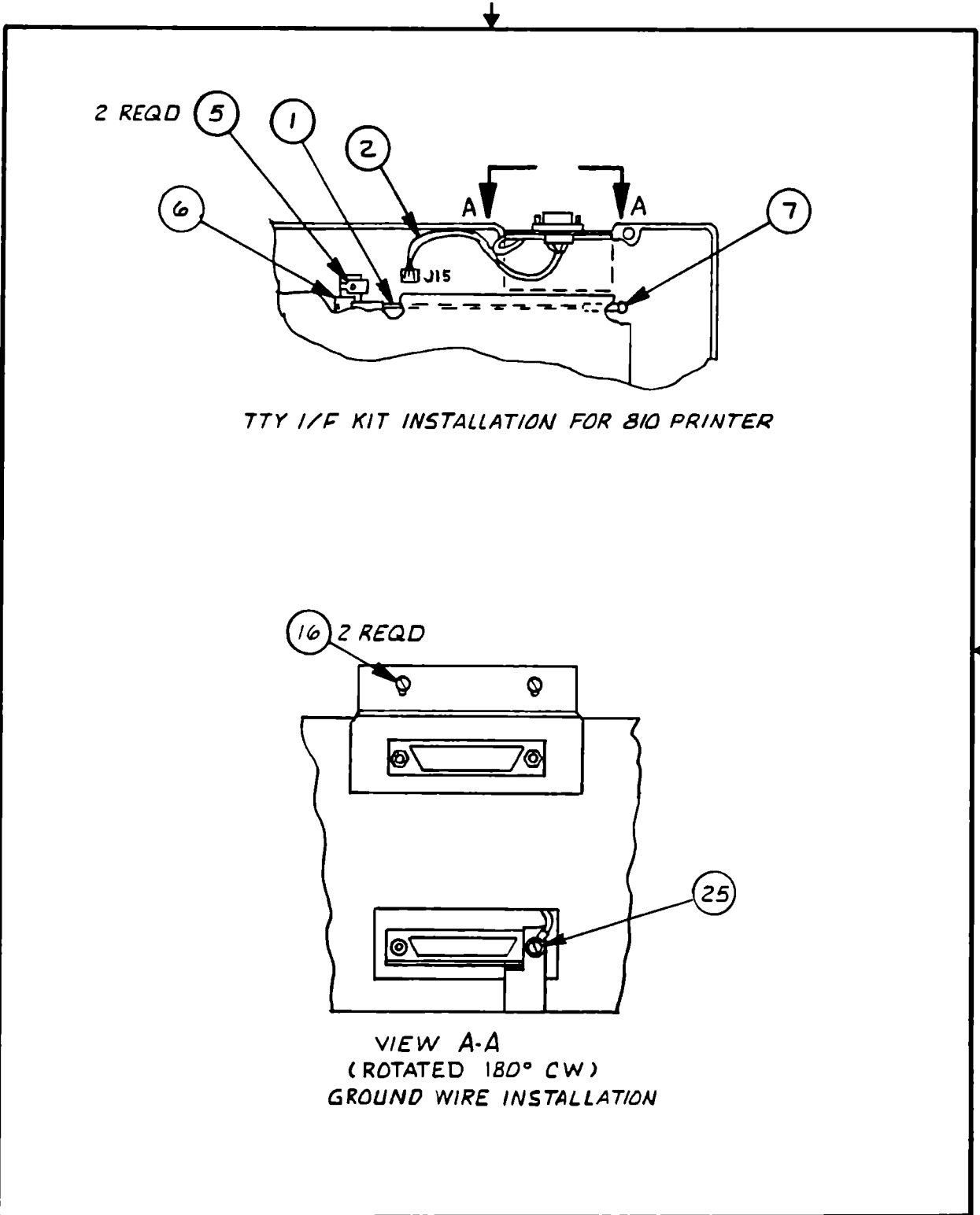
List of Materials

07/14/84

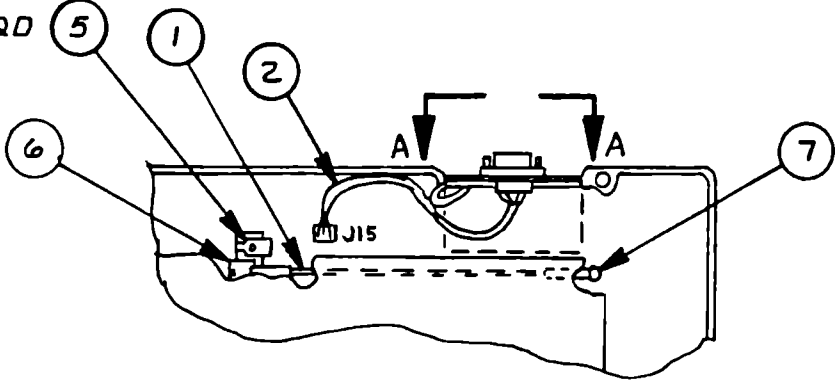
| PART NUMBER | REV | DESCRIPTION..... | | |
|--------------|-----------|-----------------------------------|--|----|
| 2230789-0001 | E | INTERFACE OPTION KIT, RS422 - 810 | | |
| ITEM. | QUANTITY. | COMPONENT.. | DESCRIPTION..... | UM |
| 0001 | 00001.000 | 2230497-0002 | PWB ASSY, RS422, 810 1225-2497-016 | EA |
| 0002 | 00001.000 | 0994294-0001 | CARD GUIDE,CENTER 1255-0C28-015 | EA |
| 0003 | 00002.000 | 0996225-0001 | FASTENER,PUSHNUT,REMOVABLE .185/.190 DIA PAL - P2001935 | EA |
| 0004 | AR | 0231792-0004 | COLOR CGT,YELLOW.250 DIA. 085480-0025 YELLOW | SH |
| 0005 | 00001.000 | 2230787-0002 | CABLE ASSY, RS422 - 810 1225-2787-008 | EA |
| 0006 | 00002.000 | 2210084-0014 | SEMS,PNH, SLTD, EXT TOOTH 32UNC-2A,.375L | EA |
| 0007 | 00000.000 | 2230792-0001 | MNL,INSTALLATION,APPLICATION 810 PRINTER 1225-0792-000 | EA |
| 0008 | 00001.000 | 2210084-0002 | SEMS SCREW, 4-40X1/4 EXT. TOOTH 1221-2134-000 | EA |
| 0009 | 00000.000 | 0972988-0013 | SCREW 4-40 X .250 PAN HEAD CRES | EA |
| 0009A | | | *ALTERNATE FOR ITEM 8 | |
| 0010 | 00000.000 | 0411101-0057 | LOCKWASHER # 4 EXTERNAL TOOTH CRES QPL - MS35335-57 | EA |
| 0010A | | | *TO BE USED WITH ITEM 9 QPL - MS35335-57 | |

07/14/84

| PART NUMBER | REV | DESCRIPTION..... | | |
|--------------|-----------|--|---|----|
| 2230789-8001 | E | I/F OPTION KIT,RS422-810 (FIELD INSTALL) | | |
| ITEM. | QUANTITY. | COMPONENT.. | DESCRIPTION..... | UM |
| 0001 | 00001.000 | 2230789-0001 | INTERFACE OPTION KIT, RS422 - 810 1225-0000-000 | EA |
| 0002 | 00001.000 | 2230792-0001 | MNL,INSTALLATION,APPLICATION 810 PRINTER 1225-0792-000 | EA |
| 0003 | 00001.000 | 0994351-0001 | LABEL,CCNFIGURATION 1225-1351-000 | EA |
| 0004 | 00001.000 | 2222636-0001 | LABEL,CCNFIGURATION | EA |
| 0005 | 00001.000 | 2222694-0001 | LEAD,ELECTRICAL GROUND 1225-1694-004 | EA |
| 0006 | 00001.000 | 0960967-0004 | LEAD ELECTRICAL 1225-4967-013 | EA |

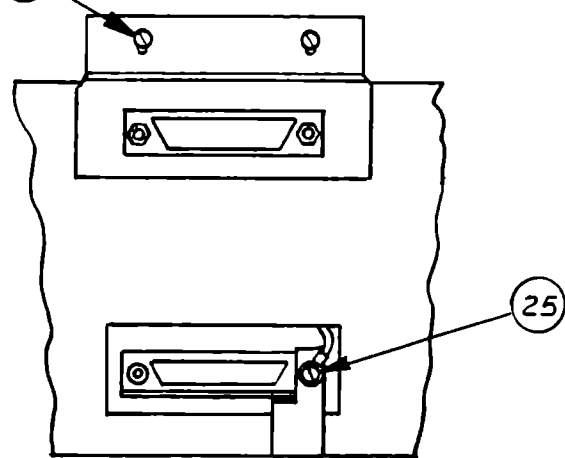


2 REQD



TTY I/F KIT INSTALLATION FOR BIO PRINTER

16 2 REQD



VIEW A-A
(ROTATED 180° CW)
GROUND WIRE INSTALLATION

TI 28740

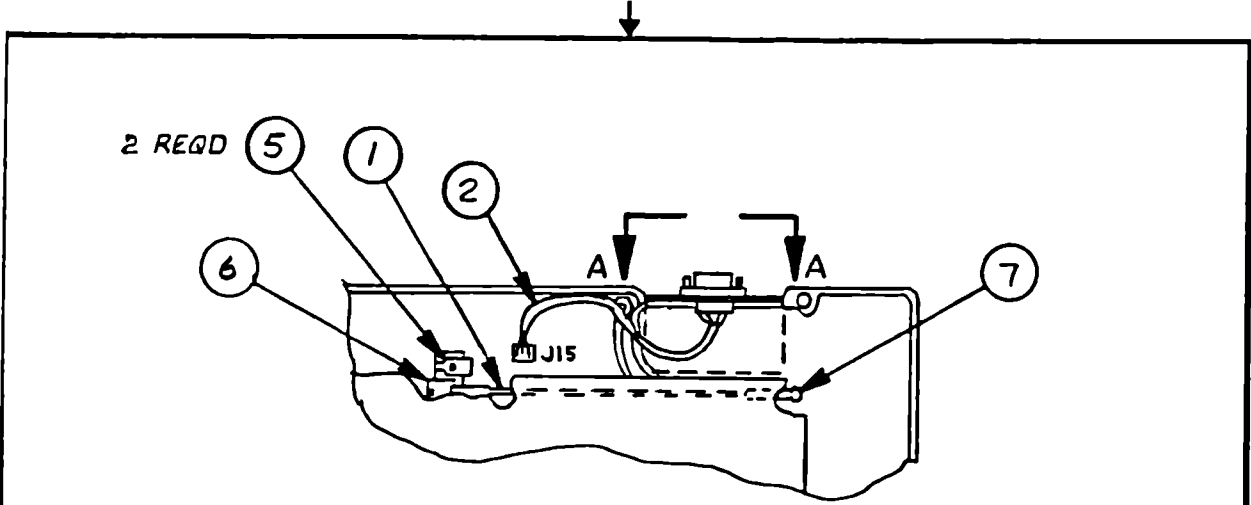


TEXAS INSTRUMENTS
INCORPORATED
Digital Systems Group

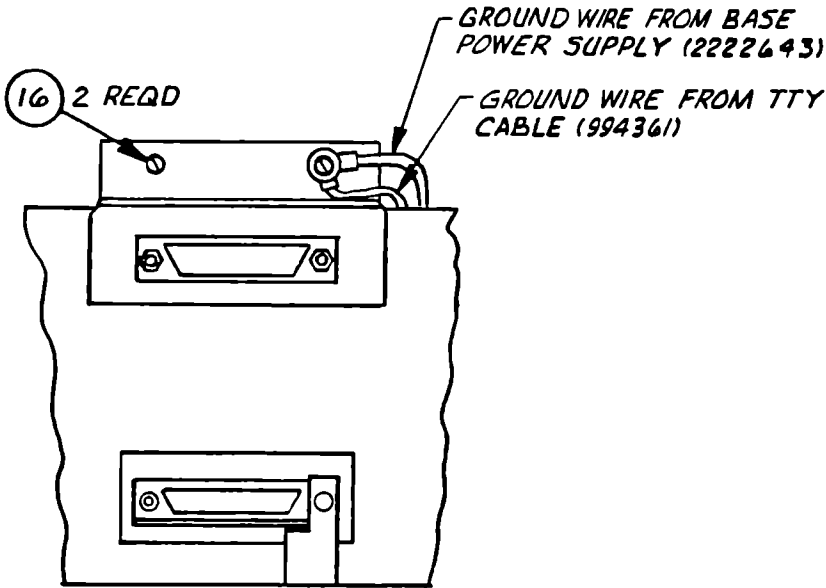
SIZE
A

22 30790
SHEET 2

REV
B



TTY I/F KIT INSTALLATION FOR 880 PRINTER



VIEW A-A
(ROTATED 180° CW)
GROUND WIRE INSTALLATION

List of Materials

05/12/84

| PART NUMBER | REV | DESCRIPTION..... | | |
|--------------|-----------|------------------------------------|--|----|
| 2230790-0001 | B | TTY OPTICN KIT, 1/2 SLOT - 810/88C | | |
| ITEM. | QUANTITY. | COMPONENT.. | DESCRIPTION..... | UM |
| J001 | 00001.000 | 2230497-0001 | PWH ASSY, 20PA TTY, 810 1225-1497-004 | EA |
| J002 | 00001.000 | 0994361-0001 | CABLE ASSY, TTY INTERFACE, 810 1225-1361-052 | EA |
| 0005 | 00002.000 | 0996225-0001 | FASTENER,PUSHNUT,REMOVABLE .185/.190 DIA PAL - P2001935 | EA |
| J006 | 00001.000 | 0994294-0001 | CARD GUIDE,CENTER 1255-0028-014 | EA |
| J007 | 00000.000 | 0231792-0004 | COLOR DOT,YELLOW.250 DIA. 085480-0025 YELLOW | SH |
| 0012 | REF | 2230792-C001 | MNL,INSTALLATION,APPLICATION 810 PRINTER | EA |
| J017 | 00005.000 | 0530409-0001 | CONNECTOR, RACK & PANEL, PLUG, 9POS | EA |
| J018 | 00001.000 | 0534430-0003 | CONTACT,PIN 24-20AWG .068 INSUL DIA AMP -205202-2 ST | EA |
| J019 | 00001.000 | 2210305-0001 | HOOD STRN RLF 45/180DEG,BULK PK 9 POS 000779-2-206478-0 | EA |
| J021 | 00000.000 | 0411101-0057 | LOCKWASHER # 4 EXTERNAL TCOTH CRES QPL - MS35335-57 | EA |
| 0021A | | | *TO BE USED WITH ITEM 22 QPL - MS35335-57 | |
| J022 | 00000.000 | 0972988-0013 | SCREW 4-40 X .250 PAN HEAD CRES | EA |
| J022A | | | *ALTERNATE TO ITEM 25 | |
| J022B | | | *REQUIRES ITEM 21 | |
| J025 | 00001.000 | 2210084-0002 | SEMS SCREW, 4-40X1/4 EXT. TOOTH 1221-2134-000 | EA |

05/12/84

| PART NUMBER | REV | DESCRIPTION..... | | |
|--------------|-----------|--------------------------------------|---|----|
| 2230790-8001 | B | TTY OPTICN KIT-810 (FIELD INSTALLED) | | |
| ITEM. | QUANTITY. | COMPONENT.. | DESCRIPTION..... | UM |
| J001 | 00001.000 | 2230790-0001 | TTY OPTION KIT, 1/2 SLCT - 810/880 1225-0000-000 | EA |
| J002 | REF | 2230792-C001 | MNL,INSTALLATION,APPLICATION 810 PRINTER | EA |
| J003 | 00001.000 | 0994351-0001 | LABEL,CONFIGURATION 1225-1351-000 | EA |
| J004 | 00001.000 | 2222636-C001 | LABEL,CGNFIGURATION | EA |

1 2 3 4 5 6 7 8

| REV | DESCRIPTION | DATE | APPROVED |
|-----|--|----------|------------------|
| A | 2232575 (C) PRINTING ITEM 7 7 PIN WAS 2230485-0004 | 9-25-63 | A. [Signature] |
| B | 2232575 (C) PRINTING ITEM 7 CITY WAS 1,00 ON -0001M (2) UN-0001M (3) ADDED ITEM 45 (3) PROCESS 1. ADDED 2230794-1 & 2230794-2 DOMIC ITEM 843 PINS WERE L.M. ITEM 849 PINS WERE | 10-25-63 | A. [Signature] |
| C | 2230794-3 & 2230794-4 (2) ON -0001M ADDED ITEMS 45 & 45 15 ON -0001M ITEM 15 PINS WAS 2230485-0002, (4) ADDED NOTE 8-15 IN LOCATE. PINS INCLUDED ITEM 47 | 10-25-63 | A. [Signature] |
| D | 2230794-5 (3) SP. 12-22-63 | 12-21-63 | P. [Signature] |
| E | 2230794-6 (2) SP. 4-17-64 | 4-17-64 | J.D. [Signature] |
| F | 2230794-7 (2) SP. 5-2-64 | 5-2-64 | J.D. [Signature] |

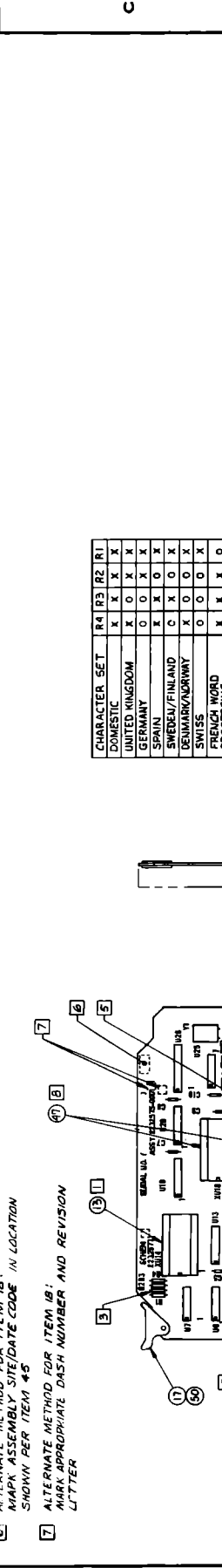


TABLE II

| CHARACTER SET | R4 | R3 | R2 | R1 |
|-------------------------|----|----|----|----|
| DOMESTIC | X | X | X | X |
| UNITED KINGDOM | X | O | X | X |
| GERMANY | O | O | X | X |
| SPAIN | X | X | O | X |
| SWEDEN/FINLAND | C | X | O | X |
| DENMARK/NORWAY | X | O | O | X |
| SWISS | O | O | O | X |
| FRENCH WORLD PROCESSING | X | X | X | O |
| FRENCH CANADIAN | O | X | X | X |

X=ELISTS
O=OMIT



NOTES UNLESS OTHERWISE SPECIFIED:
 1. ROM/EPROM (ITEM 7) IN X014 OF THIS ASSEMBLY IS TO BE EXCHANGED WITH THE ROM/EPROM (ITEM 5) IN X036 ON PROCESSOR ASSEMBLY 994244. THE STANDARD BIO ROM/EPROM SHOULD BE PLACED INTO X014 OF THIS ASSEMBLY.
 2. POSITION JUMPERS (ITEM 6): PER TABLE I AND PRINTER TYPE
 3. REMOVE THE RESISTOR JUMPERS (ITEM 35) PER TABLE II AND DESIRED CHARACTER SET
 4. LOCATE LABEL APPROXIMATELY AS SHOWN (DO NOT COVER GOLD TABS)
 5. CH, UID AND UIR ARE FOR FUTURE USE
 6. ALTERNATE METHOD FOR ITEM 18: MARK ASSEMBLY SITE/DATE CODE IN LOCATION SHOWN PER ITEM 45
 7. ALTERNATE METHOD FOR ITEM 18: MARK APPROPRIATE DASH NUMBER AND REVISION LETTER

CONVERSION CHART

| MM | IN |
|------|------|
| .025 | .010 |
| 0.5 | .02 |
| 12.7 | .50 |

TABLE I

| PRINTER TYPE | JUMPER ONE (1) | JUMPER TWO (2) |
|--------------|----------------|----------------|
| BSC | E2-E3 | E5-E6 |
| VEC/FIC | E2-E3 | E4-E5 |
| YCO/FCO | E1-E2 | E4-E5 |

TABLE II

| SLDR | DATE | COLOR |
|------|--------|-------|
| 00 | 127-01 | BLACK |
| 00 | 124-02 | BLACK |
| 00 | 514-01 | BLACK |

CLASSIFICATION

| NO | PROCESS | CLASSIFICATION | REV | STATUS OF SHEET | REV |
|----|---------|----------------|-----|-----------------|-----|
| 00 | 00 | 00 | 00 | 00 | 00 |

TABLE I

| PART NUMBER | DESCRIPTION |
|--------------|--------------------------------------|
| 2232575-5501 | SEQUENCE TAPE FOR -5001 |
| 2232575-5001 | AUTO INSERTED PARTS LIST FOR -0001 |
| 2232575-0001 | LETTER QUALITY, 2ND GENERATION - BIO |

TABLE II

| REV | DATE | DESCRIPTION |
|-----|--------|-------------|
| 00 | 127-01 | BLACK |
| 00 | 124-02 | BLACK |
| 00 | 514-01 | BLACK |

TABLE III

| REV | DATE | DESCRIPTION |
|-----|--------|-------------|
| 00 | 127-01 | BLACK |
| 00 | 124-02 | BLACK |
| 00 | 514-01 | BLACK |

TABLE IV

| REV | DATE | DESCRIPTION |
|-----|--------|-------------|
| 00 | 127-01 | BLACK |
| 00 | 124-02 | BLACK |
| 00 | 514-01 | BLACK |

List of Materials

05/12/84

| PART NUMBER | REV | DESCRIPTION..... |
|--------------|-----------|---|
| 2232575-0001 | F | LETTER QUALITY, 2ND GENERATION - 81G |
| ITEM. | QUANTITY. | COMPONENT.. DESCRIPTION..... UM |
| 0001 | 00001.000 | 2232575-5001 AUTO INSERTED PARTS LIST FOR -0001 EA 1225-5575-012 |
| 0004 | REF | 2232577-0001 DIAGRAM, 2ND GEN-81G LC (HALF SIZE) EA |
| 0005 | 00001.000 | 2210972-0001 IC, PARALLEL I/O CONTROLLER EA SEE TI- DRAWING |
| 0005A | | U15 |
| 0006 | 00001.000 | 2210301-0001 IC, MICROPROCESSOR, CPU EA 056708-280A-CPU-PS |
| 0006A | | U16 |
| 0007 | 00001.000 | 2230485-0005 056708-280A-CPU-PS EA EPROM, 810 LQ, 8080 |
| 0007A | | 1225-1485-002 |
| 0008 | 00001.000 | 2232603-0001 IC, 8192 X 8 BIT ROM1, CUSTOM EA SEE TI- DRAWING |
| 0008A | | U17 |
| 0009 | 00001.000 | 2232603-0002 IC, 8192 X 8 BIT ROM2, CUSTOM EA SEE TI- DRAWING |
| 0009A | | U18 |
| 0010 | 00001.000 | 0800257-0001 TRANSISTOR, MPS 3640, PNP, SWITCHING EA 004713-MPS3640 |
| 0010A | | Q1 |
| 0011 | 00000.000 | 0972955-0001 XSTR 2N2369A, NPN, HIGH SPEED SW, TO-18 EA MOT - 2N2369A |
| 0011A | | *ALTERNATE TC ITEM 46 |
| 0012 | 00002.000 | 2211700-0017 MOT - 2N2369A EA CAP. 6.8UF, 16VOLT, ALLM, ELECT |
| 0012A | | SEE TI- DRAWING |
| 0013 | 00001.000 | 2210188-0007 SOCKET, LOW PROFILE, DIP, 24 PINS EA 003612-DILB24P-108 |
| 0013A | | XU14 |
| 0014 | 00001.000 | 2210057-0003 003612-DILB24P-108 EA HEADER, STRAIGHT PIN, 6 POS. |
| 0014A | | 007791--87215-2 |
| 0015 | 00001.000 | 2210835-0013 E1, E2, E3, E4, E5, E6 EA 007701--87215-2 |
| 0015A | | CRYSTAL, 8.00 MHZ, PARALLEL RESONANT |
| 0016 | 00002.000 | 0972487-0001 SEE TI- DRAWING EA JUMPER PLUG, CONNECTOR BLACK |
| 0017 | 00001.000 | 0413277-0001 5935-0900-000 EA EJECTOR, PCB, NON-LOCKING, WHITE |
| 0018 | 00001.000 | 2363830-0001 SCA -S-200(NATURAL) EA LABEL, SYMBOLIZATION (38MM X 13MM) |
| 0019 | 00000.000 | 2211540-0001 1225- EA FOAM, .35X.50X.05, PCLY, ADHESIVE BACKED |
| 0019A | | SEE TI- DRAWING |
| 0020 | 00000.000 | 0538031-0003 *USED WITH ITEM 20 EA SEE TI- DRAWING |
| | | CRYSTAL UNIT QUARTZ 8.00 MHZ .005% 5955-2000-000 |

List of Materials

05/12/84

| PART NUMBER | REV | DESCRIPTION..... | |
|--------------|-----------|-------------------------------------|--|
| 2232575-0001 | F | LETTER QUALITY,2ND GENERATION - 810 | |
| ITEM. | QUANTITY. | COMPONENT.. | DESCRIPTION..... UM |
| 0020A | | | *ALTERNATE TO ITEM 15 5955-2000-000 |
| 0021 | 00001.000 | 2232581-C001 | LABEL, ROM/EPROM, 810 LC EA |
| 0045 | REF | 0994396-C001 | PROC., SITE/DATE CODE AND SERIALIZATION EA |
| 0046 | JJJJ1.000 | 2211475-0001 | TRANSISTOR,MPS2369, NPA, SWITCHING EA |
| 0046A | | | 5961-2110-000 Q2 |
| 0047 | 00002.000 | 2210188-0008 | 5961-2110-000 SOCKET,LOW PROFILE,CIP,28 CONT EA |
| 0047A | | | 003612-DIL828P-108 XU17,XU18 |
| 0048 | 00000.000 | 2230794-C003 | 003612-DIL828P-108 EPROM,2ND GENERATION,81C LQ,(U17) EA |
| 0048A | | | 0000-0000-000 *ALTERNATE FOR ITEM 8 |
| 0049 | JJJJJ.000 | 2230794-C004 | 0000-0000-000 EPROM,2ND GENERATION,810 LQ,(U18) EA |
| 0049A | | | 0000-0000-000 *ALTERNATE FOR ITEM 9 |
| 0050 | 00001.000 | 0085936-C065 | GG00-0000-000 EYELET,ROLLED FLANGE,.085 O.D. X .312 LG EA |

05/12/84

| PART NUMBER | REV | DESCRIPTION..... | |
|--------------|-----------|------------------------------------|---|
| 2232575-5001 | F | AUTO INSERTED PARTS LIST FOR -0001 | |
| ITEM. | QUANTITY. | COMPONENT.. | DESCRIPTION..... UM |
| 0002 | 00001.000 | 2232575-5501 | SEQUENCE TAPE FOR -5001 EA |
| 0003 | 00001.000 | 2232576-0001 | 1225-2575-012 PWB,LETTER QUALITY,2ND GENERATION - 810 EA |
| 0022 | 00002.000 | 0972900-7404 | NETWORK SN74LS04N EA |
| 0022A | | | U6,U24 |
| 0023 | 00002.000 | 0972900-7432 | NETWORK SN74LS32N EA |
| 0023A | | | TI -SN74LS32N U3,U7 |
| 0024 | 00002.000 | 0972900-7474 | TI -SN74LS32N NETWORK SN74LS74N EA |
| 0024A | | | U2,U4 |
| 0025 | JJJJ1.000 | 0972900-7138 | NETWORK SN74LS138N EA |
| 0025A | | | TI -SN74LS138N U22 |
| 0026 | JJJJ2.000 | 0972900-7139 | TI -SN74LS138N NETWORK SN74LS139N EA |
| 0026A | | | TI -SN74LS139N U1,U5 |
| 0027 | 00001.000 | 0972900-7174 | TI -SN74LS135N NETWORK SN74LS174N EA |
| 0027A | | | U21 |
| 0028 | JJJJ2.000 | 0996089-0004 | IC,SN74LS244N LINE DRIVER EA |
| | | | -SN74LS244N |

List of Materials

05/12/84

PART NUMBER REV DESCRIPTION.....
2232575-5001 F AUTO INSERTED PARTS LIST FOR -0001

| ITEM. | QUANTITY. | COMPONENT.. | DESCRIPTION..... | UM |
|-------|-----------|--------------|--|----|
| 0028A | | | U0, U26 -SN74LS244N | |
| 0029 | 00002.000 | 0996136-0001 | IC, SN74LS257N, DATA SELECTORS/MULTIPLEXER TI -SN74LS257N | EA |
| 0029A | | | U19, U20 TI -SN74LS257N | |
| 0030 | 00001.000 | 0972787-0003 | NETWORK SN74LS367N | EA |
| 0030A | | | U13 | |
| 0031 | 00001.000 | 0996508-0001 | IC, 74LS393N DUAL BINARY COUNTER C01295-74LS393N | EA |
| 0031A | | | U25 001295-74LS393N | |
| 0032 | 00001.000 | 0219402-7474 | NETWORK SN74S74N | EA |
| 0032A | | | U23 | |
| 0033 | 00002.000 | 2220517-0004 | IC, 16KX4BIT RAM, 330NSEC READ CYCLE TIME SEE TI- DRAWING | EA |
| 0033A | | | U9, U11 SEE TI- DRAWING | |

05/12/84

PART NUMBER REV DESCRIPTION.....
2232575-5501 F SEQUENCE TAPE FOR -5001

| ITEM. | QUANTITY. | COMPONENT.. | DESCRIPTION..... | UM |
|-------|-----------|--------------|---|----|
| 0034 | 00002.000 | 0972946-0025 | RES FIX 22.0 OHM 5% .25 W CARBON FILM R0H - R-25 | EA |
| 0034A | | | R10, R11 R0H - R-25 | |
| 0035 | 00001.000 | 0972946-0043 | RES FIX 120 OHM 5% .25 W CARBON FILM R0H - R-25 | EA |
| 0035A | | | R13 R0H - R-25 | |
| 0036 | 00001.000 | 0972946-0050 | RES FIX 240 OHM 5% .25 W CARBON FILM R0H - R-25 | EA |
| 0036A | | | R15 R0H - R-25 | |
| 0037 | 00002.000 | 0972946-0051 | RES FIX 270 OHM 5% .25 W CARBON FILM R0H - R-25 | EA |
| 0037A | | | R7, R8 R0H - R-25 | |
| 0038 | 00002.000 | 0972946-0057 | RES FIX 470 OHM 5% .25 W CARBON FILM R0H - R-25 | EA |
| 0038A | | | R12, R14 R0H - R-25 | |
| 0039 | 00004.000 | 0972946-0065 | RES FIX 1.0K OHM 5% .25 W CARBON FILM R0H - R-25 | EA |
| 0039A | | | R1, R2, R3, R4 R0H - R-25 | |
| 0040 | 00001.000 | 0972946-0089 | RES FIX 10K OHM 5% .25 W CARBON FILM 1658- -000 | EA |
| 0040A | | | R9 1658- -000 | |

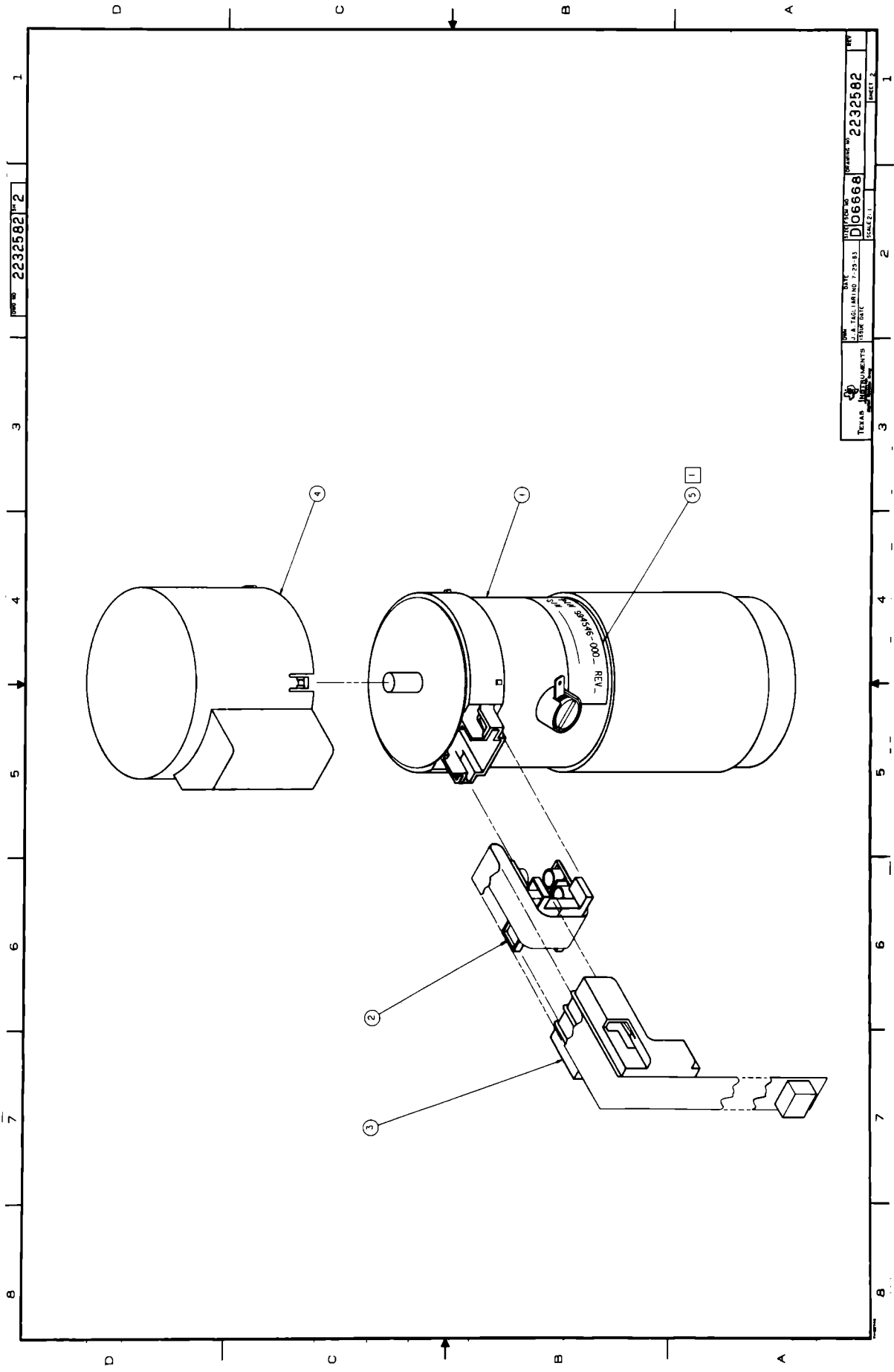
List of Materials

05/12/84

| PART NUMBER | REV | DESCRIPTION..... | UM | |
|--------------|-----------|-------------------------|--|----|
| 2232575-5501 | F | SEQUENCE TAPE FOR -5001 | | |
| ITEM. | QUANTITY. | COMPONENT.. | DESCRIPTION..... | UM |
| 0041 | 00014.000 | 0972763-0021 | CAP.,FIXED,AXIAL LEAD,.047 UF,+80%,-20% 1632-0000-000 | EA |
| 0041A | | | C2,C3,C4,C5,C6,C7,C8,C9,C10 1632-0000-000 | |
| 0041B | | | C15,C16,C17,C18,C19 1632-0000-000 | |
| 0042 | 00001.000 | 0972757-0013 | CAP.,FIXED,AXIAL LEAC,1000 PF,10%,50V | EA |
| 0042A | | | C14 | |
| 0043 | 00003.000 | 0972757-0041 | CAP,FIX,CERAMIC, 33 PF, 50 V, 10% 007115-SEE TI DWG | EA |
| 0043A | | | C13,C21,C22 007115-SEE TI DWG | |
| 0044 | 00001.000 | 0972946-0003 | RES FIX 2.7 OHM 5 % .25 W.CARBON FILM | EA |
| 0044A | | | RDH - R-25 R6 RDH - R-25 | |

05/12/84

| PART NUMBER | REV | DESCRIPTION..... | UM | |
|--------------|-----------|--|--|----|
| 2232575-8001 | F | LETTER QUALITY,2ND GENERATION - 810 - SP | | |
| ITEM. | QUANTITY. | COMPONENT.. | DESCRIPTION..... | UM |
| 0001 | 00001.000 | 2232575-0001 | LETTER QUALITY,2ND GENERATION - 810 1225-1575-012 | EA |



FORM NO. 2232582-2

| | | | |
|-----------------------|--|--|------------------------------------|
| TEXAS INSTRUMENTS | U.S. FLAG/LAMINO. 17-23-53 DATE FILED | DRAWING NO. D06668 SCALE 1:1 | PART NO. 2232582 SHEET 2 |
| | 1 2 3 4 5 6 7 8 | | |

List of Materials

02/04/84

| PART NUMBER | REV | DESCRIPTION..... | | |
|--------------|-----------|-------------------------------------|---|----|
| 2232582-0001 | | CARRIAGE MOTOR-ENCODER ASSY, 10 CPI | | |
| ITEM. | QUANTITY. | COMPONENT.. | DESCRIPTION..... | UM |
| 0001 | 00001.000 | 2232583-0001 | BASE - ENCODER SUBASSY, 10 CPI 1225- -000 | EA |
| 0002 | 00001.000 | 2232589-0001 | ENCODER CIRCUIT ASSEMBLY, 10 CPI 1225-1589-001 | EA |
| 0003 | 00001.000 | 2232588-0001 | SPACER - ENCODER 1255-0080-002 | EA |
| 0004 | 00001.000 | 2232598-0001 | COVER - ENCODER 1255-0079-002 | EA |
| 0005 | 00001.000 | 0232208-3500 | LABEL WIRE MARKER DATABS VINYL CLOTH 1286-2208-000 | EA |
| 0006 | REF | 0994396-0001 | PROC., SITE/DATE CODE AND SERIALIZATION | EA |

02/04/84

| PART NUMBER | REV | DESCRIPTION..... | | |
|--------------|-----------|--|--|----|
| 2232582-0002 | | CARRIAGE MOTOR-ENCODER ASSY, 10/16.5 CPI | | |
| ITEM. | QUANTITY. | COMPONENT.. | DESCRIPTION..... | UM |
| 0001 | 00001.000 | 2232583-0002 | BASE - ENCODER SUBASSY, 10/16.5 CPI 1225- -000 | EA |
| 0002 | 00001.000 | 2232589-0002 | ENCODER CIRCUIT ASSEMBLY, 10/16.5 CPI 1225-2589-002 | EA |
| 0003 | 00001.000 | 2232588-0001 | SPACER - ENCODER 1255-0080-002 | EA |
| 0004 | 00001.000 | 2232598-0001 | COVER - ENCODER 1255-0079-002 | EA |
| 0005 | 00001.000 | 0232208-3500 | LABEL WIRE MARKER DATABS VINYL CLOTH 1286-2208-000 | EA |
| 0006 | REF | 0994396-0001 | PROC., SITE/DATE CODE AND SERIALIZATION | EA |

2232583

| REV | DESCRIPTION | DATE | APPROVED |
|-----|---|----------|----------|
| A | CM51977 (0) M DURHAM (1) REVISED, CC (2), REVISED NOTES 4 AND 6 (3) REVISED PICTORIAL | 11/17/83 | R Ford |

| REV | DESCRIPTION | DATE | APPROVED |
|-----|---|----------|----------|
| A | CM51977 (0) M DURHAM (1) REVISED, CC (2), REVISED NOTES 4 AND 6 (3) REVISED PICTORIAL | 11/17/83 | R Ford |

| REV | DESCRIPTION | DATE | APPROVED |
|-----|---|----------|----------|
| A | CM51977 (0) M DURHAM (1) REVISED, CC (2), REVISED NOTES 4 AND 6 (3) REVISED PICTORIAL | 11/17/83 | R Ford |

| REV | DESCRIPTION | DATE | APPROVED |
|-----|---|----------|----------|
| A | CM51977 (0) M DURHAM (1) REVISED, CC (2), REVISED NOTES 4 AND 6 (3) REVISED PICTORIAL | 11/17/83 | R Ford |

| REV | DESCRIPTION | DATE | APPROVED |
|-----|---|----------|----------|
| A | CM51977 (0) M DURHAM (1) REVISED, CC (2), REVISED NOTES 4 AND 6 (3) REVISED PICTORIAL | 11/17/83 | R Ford |

| REV | DESCRIPTION | DATE | APPROVED |
|-----|---|----------|----------|
| A | CM51977 (0) M DURHAM (1) REVISED, CC (2), REVISED NOTES 4 AND 6 (3) REVISED PICTORIAL | 11/17/83 | R Ford |

| REV | DESCRIPTION | DATE | APPROVED |
|-----|---|----------|----------|
| A | CM51977 (0) M DURHAM (1) REVISED, CC (2), REVISED NOTES 4 AND 6 (3) REVISED PICTORIAL | 11/17/83 | R Ford |

| REV | DESCRIPTION | DATE | APPROVED |
|-----|---|----------|----------|
| A | CM51977 (0) M DURHAM (1) REVISED, CC (2), REVISED NOTES 4 AND 6 (3) REVISED PICTORIAL | 11/17/83 | R Ford |

NOTES: UNLESS OTHERWISE SPECIFIED:
 1 SECURE BASE (ITEM 1) TO MOTOR SUB-ASSY (ITEM 11) USING ITEMS 4, 5, AND 6, AND TORQUE SCREWS (ITEM 4) TO 0.28 ±0.1 N-M
 2 AFTER BASE (ITEM 1) IS SECURED TO MOTOR (ITEM 11) SELECT BEST END OF MASK AND ALIGN IT WITH WALLS OF BASE AT LOCATION SHOWN. GLUE BOTH ENDS OF MASK (ITEM 2) TO BASE USING ADHESIVE (ITEM 3) (MASK P/N MUST BE LEGIBLE WHEN INSTALLED)
 3 CUT OUT CENTER PORTION OF MASK AFTER GLUE IS SET (MINIMUM SET TIME IS 10 SECONDS)
 4 POSITION HUB (ITEM 7) ON MOTOR SHAFT TO THE SURFACE OF HUB MUST BE 0.0764±0.02 MASK (REF: HUB ALIGNMENT TOOL DWG # 2228433) AND TORQUE SET SCREW (ITEM 10) TO 0.58 ±0.1 N-M
 5 INSTALL 0.03 THK RETAINER (ITEM 9) ON HUB. PRESS DOWN LINER THEN REMOVE
 6 INSTALL COMMUTATOR (ITEM 8) ON HUB AND PRESS FLAT (COMMUTATOR P/N MUST BE LEGIBLE WHEN INSTALLED AND CAP MUST BE 0.127±0.076)
 7 MASK (ITEM 2) MUST BE FREE FROM DUST, FINGER PRINTS AND OIL AFTER ASSEMBLY.

| CONVERSION CHART | INCHES |
|------------------|-------------|
| 0.0039±0.00 | 0.0764±0.02 |
| 0.002 | 0.05 |
| 0.127±0.076 | 0.005±0.003 |
| 0.254±0.1 | 18 LB |
| 0.508±0.1 | 2.31±0 |
| | 5.021±0 |

2232583-0002 BASE-ENCODER SUBASSY, 10/16.5 CPI
 2232583-0001 BASE-ENCODER SUBASSY, 10 CPI

COMPUTER GENERATED DRAWING
 DO NOT REVISE MANUALLY

4 300

2 FILMED TB 1 LM

SI-METRIC

BASE - ENCODER SUBASSY

2232583

4300

2 FILMED TB 1 LM

SI-METRIC

BASE - ENCODER SUBASSY

2232583

4300

2 FILMED TB 1 LM

SI-METRIC

BASE - ENCODER SUBASSY

2232583

4300

2 FILMED TB 1 LM

SI-METRIC

BASE - ENCODER SUBASSY

2232583

4300

2 FILMED TB 1 LM

SI-METRIC

BASE - ENCODER SUBASSY

2232583

4300

2 FILMED TB 1 LM

SI-METRIC

BASE - ENCODER SUBASSY

2232583

4300

2 FILMED TB 1 LM

SI-METRIC

BASE - ENCODER SUBASSY

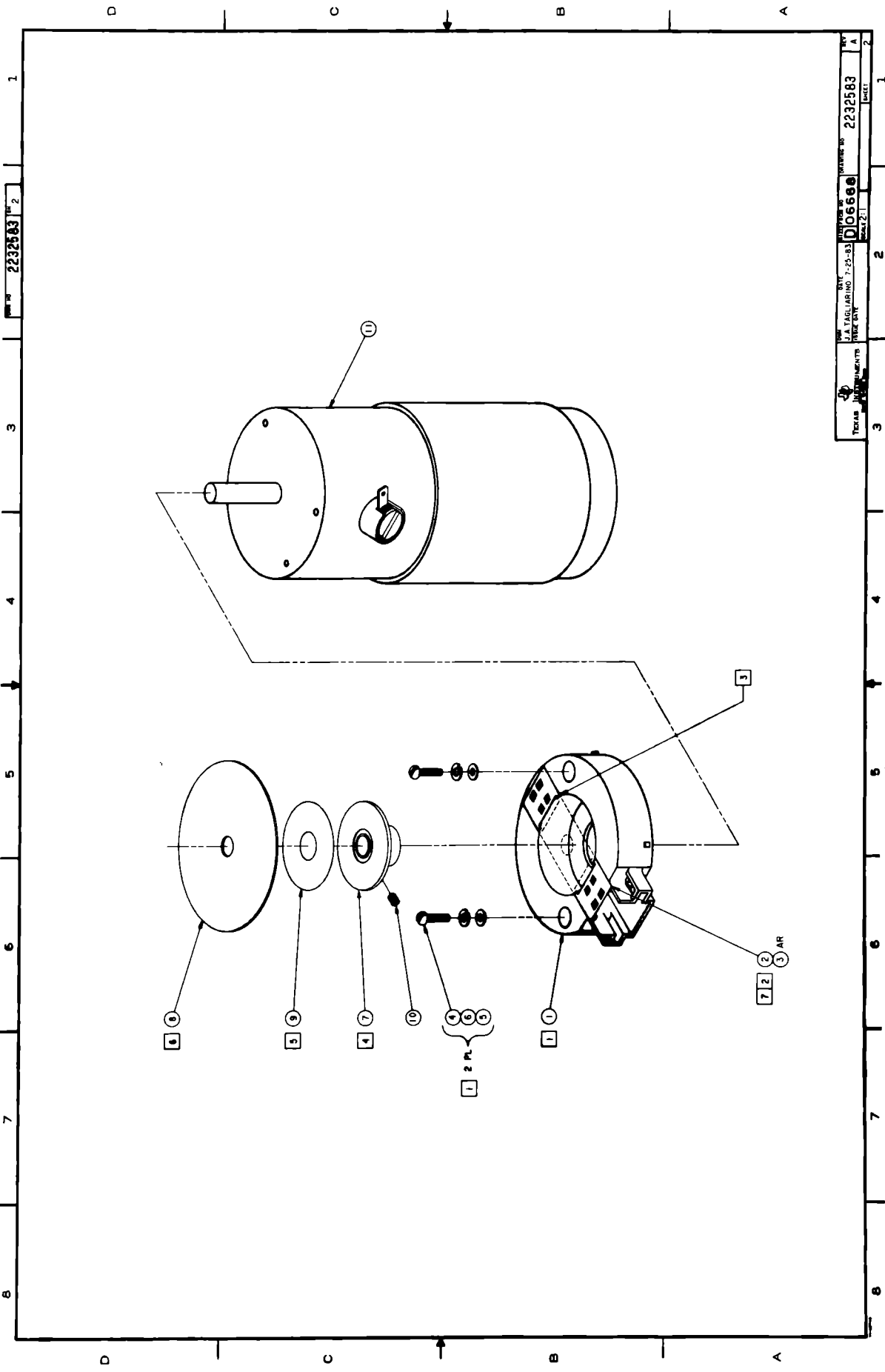
2232583

4300

2 FILMED TB 1 LM

SI-METRIC

BASE - ENCODER SUBASSY



1
 2
 3
 4
 5
 6
 7
 8

DRAWING NO. 2232583
 DATE 7-25-83
 0666
 2232583
 2
 1
 2
 1
 2
 1
 2

List of Materials

02/04/84

| PART NUMBER | REV | DESCRIPTION..... | | |
|--------------|-----------|--------------------------------|--|----|
| 2232583-0001 | A | BASE - ENCODER SUBASSY, 10 CPI | | |
| ITEM. | QUANTITY. | COMPONENT.. | DESCRIPTION..... | UM |
| 0001 | 00001.000 | 2232584-0001 | BASE - ENCODER 1255-0078-002 | EA |
| 0002 | 00001.000 | 2232585-0001 | MASK - ENCODER 1225- -000 | EA |
| 0003 | AR | 0996527-0003 | ADHESIVE, CYANOACRYLATE, 420 SUPERBONDER 005972-SEE DRAWING | BT |
| 0004 | 00002.000 | 0972988-0003 | SCREW 2-56 X .250 PAN HEAD CRES | EA |
| 0005 | 00002.000 | 0418154-0052 | WASHER, #3, .032THK, .102ID, .180 OD. | EA |
| 0006 | 00002.000 | 0411104-0134 | WASHER, LOCK-SPRING, HELICAL, #2 QPL - MS35338-134 | EA |
| 0007 | 00001.000 | 2232595-0001 | HUB, ENCODER 1225- -000 | EA |
| 0008 | 00001.000 | 2232596-0001 | DISK, COMMUTATOR, 10 CPI 1225- -000 | EA |
| 0009 | 00001.000 | 2232597-0001 | RETAINER, COMMUTATOR - ENCODER SEE TI- DRAWING | EA |
| 0010 | 00001.000 | 0411121-0021 | SETSCREW 6-32 UNC-3A X .125 CUP POINT QPL - MS51021-21 | EA |
| 0011 | 00001.000 | 2206622-0001 | MOTOR, SUB-ASSEMBLY 1225-1622-000 | EA |

02/04/84

| PART NUMBER | REV | DESCRIPTION..... | | |
|--------------|-----------|-------------------------------------|--|----|
| 2232583-0002 | A | BASE - ENCODER SUBASSY, 10/16.5 CPI | | |
| ITEM. | QUANTITY. | COMPONENT.. | DESCRIPTION..... | UM |
| 0001 | 00001.000 | 2232584-0001 | BASE - ENCODER 1255-0078-002 | EA |
| 0002 | 00001.000 | 2232585-0001 | MASK - ENCODER 1225- -000 | EA |
| 0003 | AR | 0996527-0003 | ADHESIVE, CYANOACRYLATE, 420 SUPERBONDER 005972-SEE DRAWING | BT |
| 0004 | 00002.000 | 0972988-0003 | SCREW 2-56 X .250 PAN HEAD CRES | EA |
| 0005 | 00002.000 | 0418154-0052 | WASHER, #3, .032THK, .102ID, .180 OD. | EA |
| 0006 | 00002.000 | 0411104-0134 | WASHER, LOCK-SPRING, HELICAL, #2 QPL - MS35338-134 | EA |
| 0007 | 00001.000 | 2232595-0001 | HUB, ENCODER 1225- -000 | EA |
| 0008 | 00001.000 | 2232596-0002 | DISK, COMMUTATOR, 10/16.5 CPI 1225- -000 | EA |
| 0009 | 00001.000 | 2232597-0001 | RETAINER, COMMUTATOR - ENCODER SEE TI- DRAWING | EA |
| 0010 | 00001.000 | 0411121-0021 | SETSCREW 6-32 UNC-3A X .125 CUP POINT QPL - MS51021-21 | EA |
| 0011 | 00001.000 | 2206622-0001 | MOTOR, SUB-ASSEMBLY 1225-1622-000 | EA |

| | | | | | | | | | |
|-------------|-------------------------------|-----|---|-----|---|-----|---|-----|---|
| PART NO | 2232589 | REV | 1 | REV | 1 | REV | 1 | REV | 1 |
| DESCRIPTION | CN51732 (D) M. DURHAM 2-10-84 | | | | | | | | |
| DATE | 2/14/84 | | | | | | | | |
| APPROVED | <i>K. Kerk</i> | | | | | | | | |

| <p>NOTES: UNLESS OTHERWISE SPECIFIED:</p> <ol style="list-style-type: none"> 1 LOCATE APPROXIMATELY WHERE SHOWN 2 LEADS ON CR1-CR4 AND U1-U4 TO BE FORMED STRAIGHT 3 1.5 MAXIMUM ALLOWANCE FROM FLEX CIRCUIT (ITEM 1) TO CR1-CR4 AND U1-U4 4 INSTALL KEY (ITEM 9) IN PIN 2 OF ITEM 6 | <table border="1" style="width:100%; border-collapse: collapse;"> <tr> <th>ITEM</th> <th>DESCRIPTION</th> </tr> <tr> <td>2232589-0002</td> <td>ENCODER CIRCUIT ASSEMBLY, 10/15.5 CPI</td> </tr> <tr> <td>2232589-0001</td> <td>ENCODER CIRCUIT ASSEMBLY, 10 CPI</td> </tr> <tr> <th>PART NUMBER</th> <th>DESCRIPTION</th> </tr> </table> | ITEM | DESCRIPTION | 2232589-0002 | ENCODER CIRCUIT ASSEMBLY, 10/15.5 CPI | 2232589-0001 | ENCODER CIRCUIT ASSEMBLY, 10 CPI | PART NUMBER | DESCRIPTION |
|--|--|------|-------------|--------------|---------------------------------------|--------------|----------------------------------|-------------|-------------|
| ITEM | DESCRIPTION | | | | | | | | |
| 2232589-0002 | ENCODER CIRCUIT ASSEMBLY, 10/15.5 CPI | | | | | | | | |
| 2232589-0001 | ENCODER CIRCUIT ASSEMBLY, 10 CPI | | | | | | | | |
| PART NUMBER | DESCRIPTION | | | | | | | | |

CAUTION: ⚡ STATIC SENSITIVE

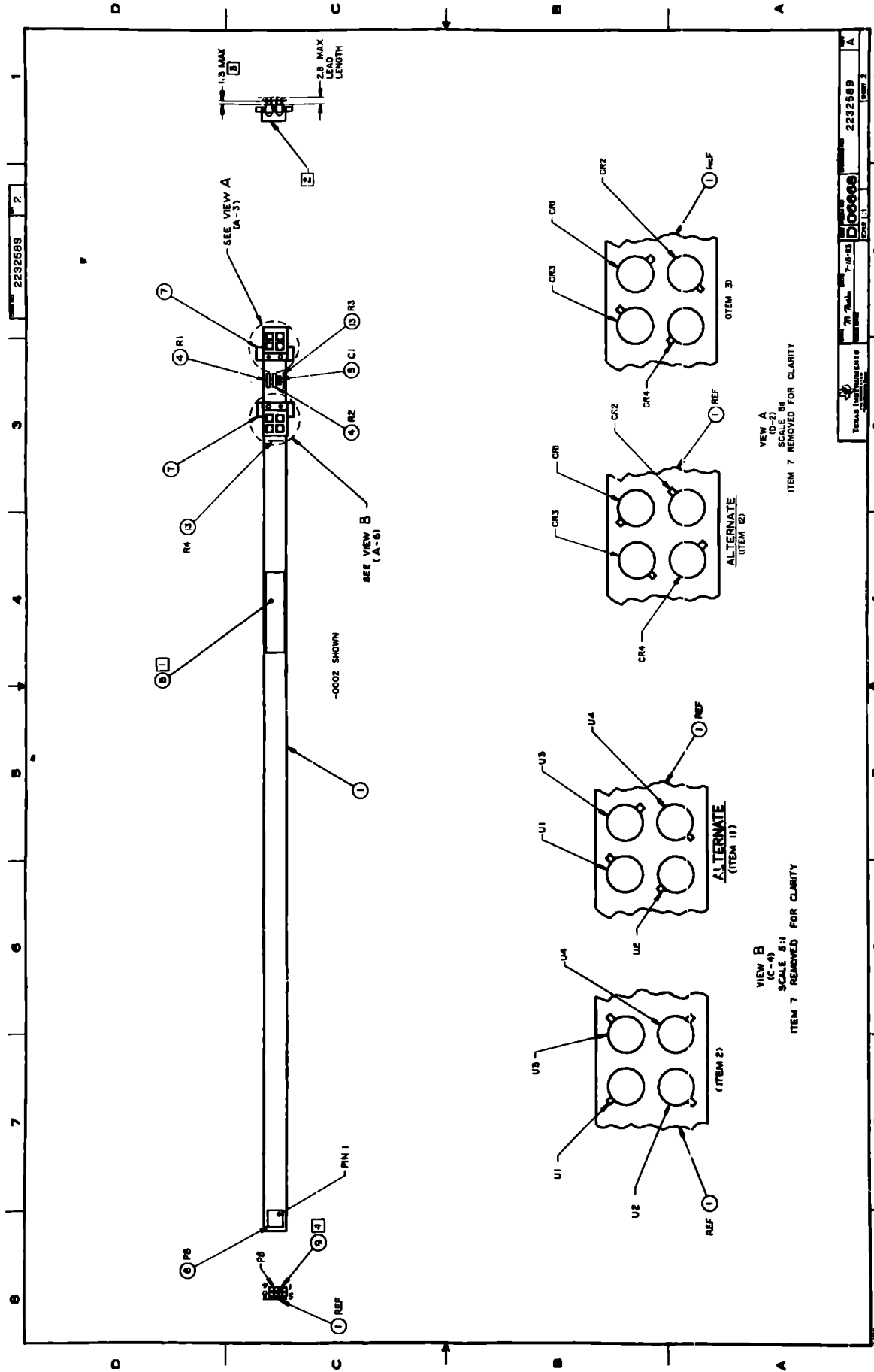
THIS PRODUCT IS STATIC SENSITIVE. PRECAUTIONS SHOULD BE TAKEN TO PREVENT DAMAGE TO THE PRODUCT. FOR INFORMATION ON PREVENTIVE MEASURES, SEE THE USER MANUAL.

| | | | | | | | | |
|------------|----------------------------|----------|------|---------------------------------------|----------|------|----|----------|
| PARTS LIST | PART OR IDENTIFYING NUMBER | QUANTITY | UNIT | DESCRIPTION | REVISION | DATE | BY | APPROVED |
| | | | | ENCODER CIRCUIT ASSEMBLY, 10/15.5 CPI | | | | |
| | | | | ENCODER CIRCUIT ASSEMBLY, 10 CPI | | | | |

| | | | | | | |
|----------------|---------|----------|----------|------|----|----------|
| CLASSIFICATION | PROCESS | MATERIAL | REVISION | DATE | BY | APPROVED |
| 1 | SLDR | 14-02 | 00 | | | |

| | | | | | | | | |
|------------|----------------------------|----------|------|---------------------------------------|----------|------|----|----------|
| PARTS LIST | PART OR IDENTIFYING NUMBER | QUANTITY | UNIT | DESCRIPTION | REVISION | DATE | BY | APPROVED |
| | | | | ENCODER CIRCUIT ASSEMBLY, 10/15.5 CPI | | | | |
| | | | | ENCODER CIRCUIT ASSEMBLY, 10 CPI | | | | |

| | | | | | | | | |
|------------|----------------------------|----------|------|---------------------------------------|----------|------|----|----------|
| PARTS LIST | PART OR IDENTIFYING NUMBER | QUANTITY | UNIT | DESCRIPTION | REVISION | DATE | BY | APPROVED |
| | | | | ENCODER CIRCUIT ASSEMBLY, 10/15.5 CPI | | | | |
| | | | | ENCODER CIRCUIT ASSEMBLY, 10 CPI | | | | |



| | | |
|---------|---|---|
| 2232589 | 2 | 1 |
| 2232589 | 2 | 1 |
| 2232589 | 2 | 1 |
| 2232589 | 2 | 1 |

List of Materials

02/04/84

| PART NUMBER | REV | DESCRIPTION..... | |
|--------------|-----------|----------------------------------|---|
| 2232589-0001 | B | ENCODER CIRCUIT ASSEMBLY, 10 CPI | |
| ITEM. | QUANTITY. | COMPONENT.. | DESCRIPTION..... UM |
| 0001 | 00001.000 | 2232594-0001 | CABLE, FLEX PC - ENCODER 10 CPI EA SEE TI- DRAWING |
| 0002 | 00002.000 | 2221445-0001 | OPTICAL SWITCH, PHOTODIODE RECIEVER EA SEE TI- DRAWING |
| 0002A | | | U1,U2 SEE TI- DRAWING |
| 0003 | 00002.000 | 2221467-0002 | LED, INFRARED, 20.0MW/SR, 100MA I(F) AT 1.7 EA SEE TI- DRAWING |
| 0003A | | | CR1, CR2 SEE TI- DRAWING |
| 0004 | 00001.000 | 0972946-0031 | RES FIX 39.0 OHM 5 % .25 W. CARBON FILM EA ROH - R-25 |
| 0004A | | | R1 ROH - R-25 |
| 0005 | 00001.000 | 0972763-0025 | CAPACITOR, .10UF 50V FX, CERAMIC DIELECTR EA COR CA-C0325U104Z050A |
| 0005A | | | C1 COR CA-C0325U104Z050A |
| 0006 | 00001.000 | 2210245-0003 | CONNECTOR, 8 POSITION (2X4) EA SEE TI- DRAWING |
| 0006A | | | P8 SEE TI- DRAWING |
| 0007 | 00002.000 | 2232587-0001 | OPTICS HOUSING - ENCODER EA 1255-0081-002 |
| 0008 | 00001.000 | 2363830-0003 | LABEL, SYMBOLIZATION (51MM X 13MM) EA 1225- -000 |
| 0009 | 00001.000 | 0996497-0001 | KEYING PLUG CONNECTOR EA 086286--1 |
| 0010 | REF | 2232593-0001 | ELECT SCHEMATIC DIAGRAM, ENCODER CIRCUIT EA |
| 0011 | 00000.000 | 2221447-0001 | OPTICAL SWITCH, PHOTODIODE RECIEVER EA SEE TI- DRAWING |
| 0011A | | | *ALTERNATE FOR ITEM 2 SEE TI- DRAWING |
| 0012 | 00000.000 | 2221522-0001 | LED, INFRARED, 27.0MW/SR, 100MA I(F) @ 1.75V EA SEE TI- DRAWING |
| 0012A | | | *ALTERNATE FOR ITEM 3 SEE TI- DRAWING |
| 0013 | 00000.100 | 0411400-0022 | WIRE 22AWG ELETRO-TIN-PLATED, COPPER FT - - -000 |
| 0013A | | | R3, R4 - - -000 |

02/04/84

| PART NUMBER | REV | DESCRIPTION..... | |
|--------------|-----------|---------------------------------------|---|
| 2232589-0002 | B | ENCODER CIRCUIT ASSEMBLY, 10/16.5 CPI | |
| ITEM. | QUANTITY. | COMPONENT.. | DESCRIPTION..... UM |
| 0001 | 00001.000 | 2232590-0001 | CABLE, FLEX PC - ENCODER EA SEE TI- DRAWING |
| 0002 | 00004.000 | 2221445-0001 | OPTICAL SWITCH, PHOTODIODE RECIEVER EA SEE TI- DRAWING |
| 0002A | | | U1, U2, U3, U4 SEE TI- DRAWING |
| 0003 | 00004.000 | 2221467-0002 | LED, INFRARED, 20.0MW/SR, 100MA I(F) AT 1.7 EA SEE TI- DRAWING |
| 0003A | | | CR1, CR2, CR3, CR4 SEE TI- DRAWING |
| 0004 | 00002.000 | 0972946-0031 | RES FIX 39.0 OHM 5 % .25 W. CARBON FILM EA ROH - R-25 |

List of Materials

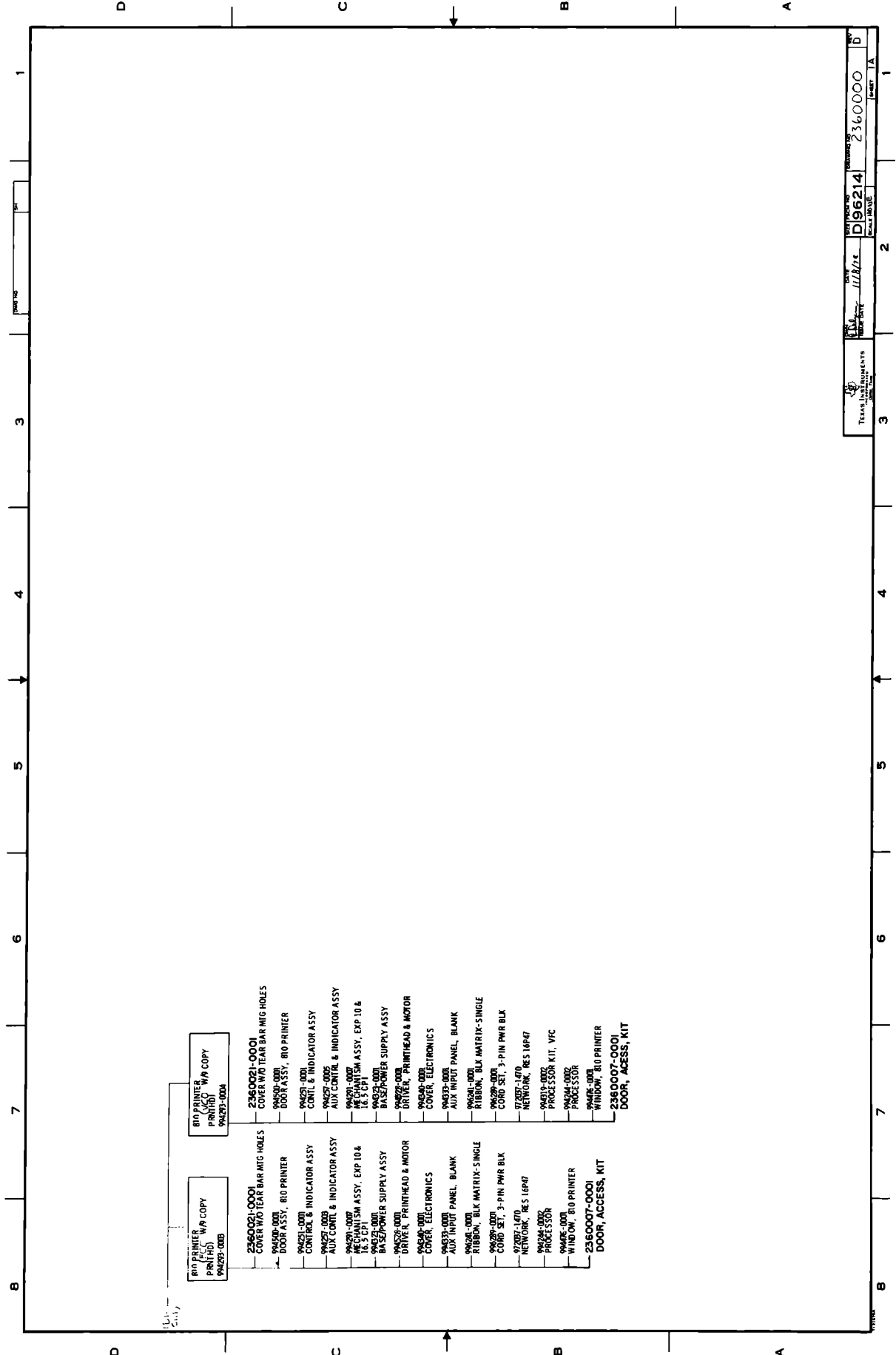
02/04/84

PART NUMBER REV DESCRIPTION.....
 2232589-0002 B ENCODER CIRCUIT ASSEMBLY, 10/16.5 CPI

| ITEM. | QUANTITY. | COMPONENT.. | DESCRIPTION..... | UM |
|-------|-----------|--------------|--|----|
| 0004A | | | R1,R2 ROM - R-25 | |
| 0005 | 00001.000 | 0972763-0025 | CAPACITOR,.10UF 50V FX,CERAMIC DIEL COR CA-C03Z5U104Z050A | EA |
| 0005A | | | C1 COR CA-C03Z5U104Z050A | |
| 0006 | 00001.000 | 2210245-0003 | CONNECTOR, 8 POSITION (2X4) SEE TI- DRAWING | EA |
| 0006A | | | P8 SEE TI- DRAWING | |
| 0007 | 00002.000 | 2232587-0001 | OPTICS HOUSING - ENCODER. 1255-0081-002 | EA |
| 0008 | 00001.000 | 2363830-0003 | LABEL, SYMBOLIZATION (51MM X 13MM) 1225- -000 | EA |
| 0009 | 00001.000 | 0996497-0001 | KEYING PLUG CONNECTOR 086286--1 | EA |
| 0010 | REF | 2232593-0001 | ELECT SCHEMATIC DIAGRAM,ENCODER CIRCUIT | EA |
| 0011 | 00000.000 | 2221447-0001 | OPTICAL SWITCH, PHOTODIODE RECIEVER SEE TI- DRAWING | EA |
| 0011A | | | *ALTERNATE FOR ITEM 2 SEE TI- DRAWING | |
| 0012 | 00000.000 | 2221522-0001 | LED,INFRARED,27.0NW/SR,100MA I(F)2 1.75V SEE TI- DRAWING | EA |
| 0012A | | | *ALTERNATE FOR ITEM 3 SEE TI- DRAWING | |
| 0013 | 00000.100 | 0411400-0022 | WIRE 22AWG ELETRO-TIN-PLATED,COPPER - - -000 | FT |
| 0013A | | | R3,R4 - - -000 | |

()

()



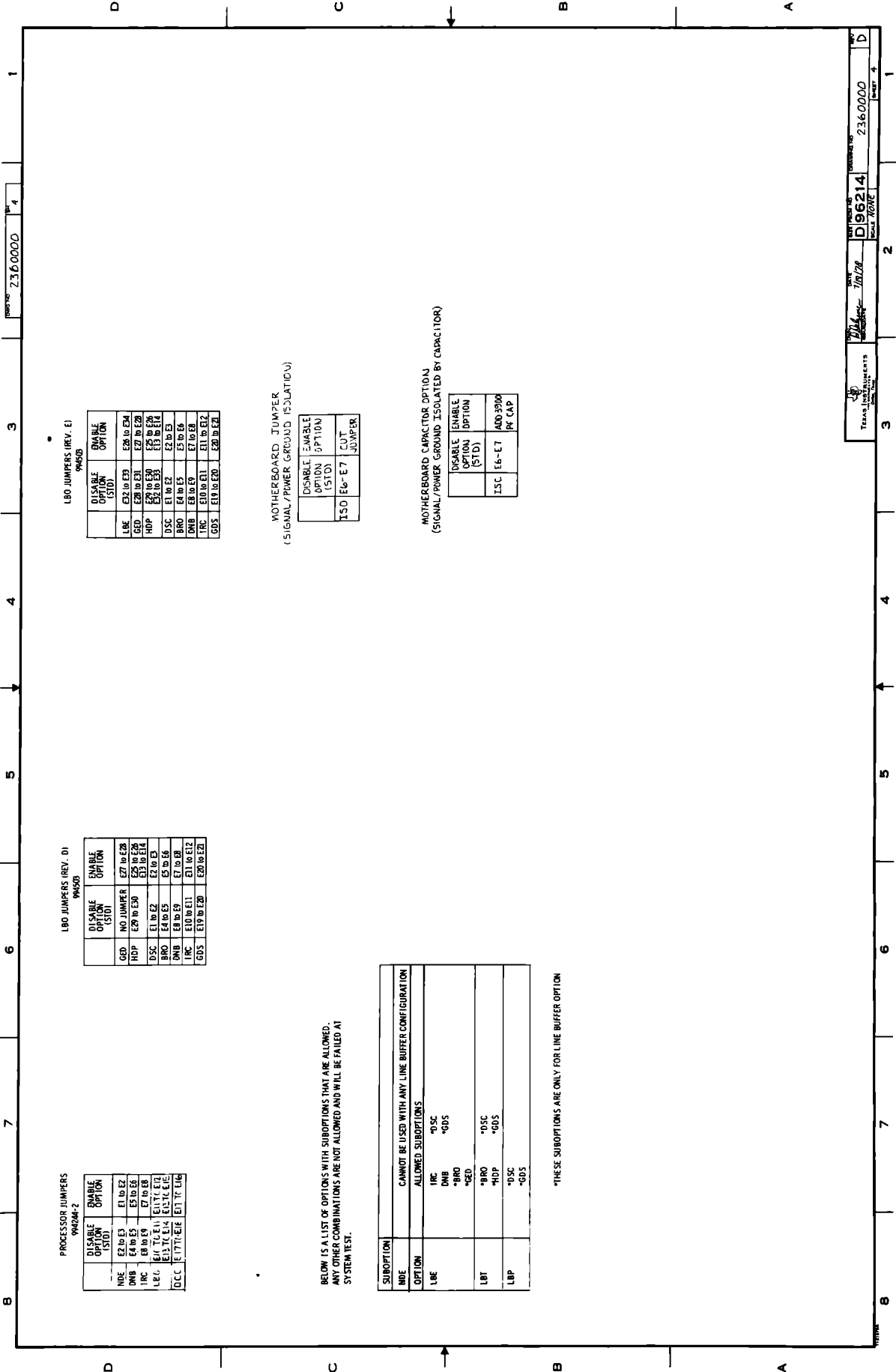
TEXAS INSTRUMENTS
 11000 Burnet Road
 Dallas, Texas 75243-2464
 TEL: 972-782-8800
 FAX: 972-782-8801
 WWW: www.ti.com

ORDER NUMBER: **DJ96214**
 PART NUMBER: **2360000**
 QUANTITY: **1**
 DATE: **11/11/13**
 ORDER TYPE: **TA**

| OPTION DASH NUMBER FOR KIT #9A308 | CHARACTER SET DESCRIPTION | CHARACTER SET OPTIONS | COMMENTS |
|-----------------------------------|--------------------------------|-----------------------|----------|
| -0001 | LIMITED ASCII ENGLISH W/O WFC | | |
| -0002 | LIMITED ASCII DAN/FR W/O WFC | | |
| -0003 | LIMITED ASCII SW/FR W/O WFC | | |
| -0004 | LIMITED ASCII GERMAN W/O WFC | | |
| -0005 | LIMITED ASCII SPANISH W/O WFC | | |
| -0006 | LIMITED ASCII PORTUGAL W/O WFC | | |
| -0007 | LIMITED ASCII ITALIAN W/O WFC | | |
| -0008 | LIMITED ASCII GREEK W/O WFC | | |
| -0009 | LIMITED ASCII RUSSIAN W/O WFC | | |
| -0010 | LIMITED ASCII JAPANESE W/O WFC | | |
| -0011 | LIMITED ASCII HEBREW W/O WFC | | |
| -0012 | LIMITED ASCII 5/7 W/O WFC | | |
| -0013 | LIMITED ASCII 5/7 W/O WFC | | |
| -0014 | LIMITED ASCII GERMAN W/O WFC | | |
| -0015 | LIMITED ASCII GERMAN W/O WFC | | |
| -0016 | LIMITED ASCII GERMAN W/O WFC | | |
| -0017 | LIMITED ASCII GERMAN W/O WFC | | |
| -0018 | LIMITED ASCII GERMAN W/O WFC | | |
| -0019 | LIMITED ASCII GERMAN W/O WFC | | |
| -0020 | LIMITED ASCII GERMAN W/O WFC | | |
| -0021 | LIMITED ASCII GERMAN W/O WFC | | |
| -0022 | LIMITED ASCII GERMAN W/O WFC | | |
| -0023 | LIMITED ASCII GERMAN W/O WFC | | |
| -0024 | LIMITED ASCII GERMAN W/O WFC | | |
| -0025 | LIMITED ASCII GERMAN W/O WFC | | |
| -0026 | LIMITED ASCII GERMAN W/O WFC | | |
| -0027 | LIMITED ASCII GERMAN W/O WFC | | |
| -0028 | LIMITED ASCII GERMAN W/O WFC | | |
| -0029 | LIMITED ASCII GERMAN W/O WFC | | |
| -0030 | LIMITED ASCII GERMAN W/O WFC | | |
| -0031 | LIMITED ASCII GERMAN W/O WFC | | |
| -0032 | LIMITED ASCII GERMAN W/O WFC | | |
| -0033 | LIMITED ASCII GERMAN W/O WFC | | |
| -0034 | LIMITED ASCII GERMAN W/O WFC | | |
| -0035 | LIMITED ASCII GERMAN W/O WFC | | |
| -0036 | LIMITED ASCII GERMAN W/O WFC | | |
| -0037 | LIMITED ASCII GERMAN W/O WFC | | |
| -0038 | LIMITED ASCII GERMAN W/O WFC | | |
| -0039 | LIMITED ASCII GERMAN W/O WFC | | |
| -0040 | LIMITED ASCII GERMAN W/O WFC | | |
| -0041 | LIMITED ASCII GERMAN W/O WFC | | |
| -0042 | LIMITED ASCII GERMAN W/O WFC | | |
| -0043 | LIMITED ASCII GERMAN W/O WFC | | |
| -0044 | LIMITED ASCII GERMAN W/O WFC | | |
| -0045 | LIMITED ASCII GERMAN W/O WFC | | |
| -0046 | LIMITED ASCII GERMAN W/O WFC | | |
| -0047 | LIMITED ASCII GERMAN W/O WFC | | |
| -0048 | LIMITED ASCII GERMAN W/O WFC | | |
| -0049 | LIMITED ASCII GERMAN W/O WFC | | |
| -0050 | LIMITED ASCII GERMAN W/O WFC | | |
| -0051 | LIMITED ASCII GERMAN W/O WFC | | |
| -0052 | LIMITED ASCII GERMAN W/O WFC | | |
| -0053 | LIMITED ASCII GERMAN W/O WFC | | |
| -0054 | LIMITED ASCII GERMAN W/O WFC | | |
| -0055 | LIMITED ASCII GERMAN W/O WFC | | |
| -0056 | LIMITED ASCII GERMAN W/O WFC | | |
| -0057 | LIMITED ASCII GERMAN W/O WFC | | |
| -0058 | LIMITED ASCII GERMAN W/O WFC | | |
| -0059 | LIMITED ASCII GERMAN W/O WFC | | |
| -0060 | LIMITED ASCII GERMAN W/O WFC | | |
| -0061 | LIMITED ASCII GERMAN W/O WFC | | |
| -0062 | LIMITED ASCII GERMAN W/O WFC | | |

| PART NUMBER | DESCRIPTION |
|-----------------|-------------------------------|
| 0924406-0001 | KIT, CLASPED-TIME INDICATOR |
| 0924409-0001 | KIT, TEAR BAR |
| 0924411-0001 | RIBBON, BLACK W/LOW MATRIX |
| 0924412-0001 | PAPER MASKET KIT, TERMINAL |
| 0924439-0001 | EXTERIOR BOARD |
| 0924440-0001 | CONNECTION, PWR., ELECTRICAL |
| 0924436-0001 | WARRANTY KIT, 1000 P/PRINTER |
| 0924445-0001 | KIT, BAUD RATE OPTION |
| POWER CABLES | |
| 0924429-0001 | CORD SET, POWER - DOMESTIC |
| 0924430-0001 | CORD SET, POWER - TWIST LOCK |
| 0924431-0001 | CORD SET, POWER - 1/2" STRIP |
| 0924432-0001 | CORD SET, POWER - 1/2" STRIP |
| 0924433-0001 | CORD SET, POWER - 1/2" STRIP |
| 0924434-0001 | CORD SET, POWER - 1/2" STRIP |
| 0924435-0001 | CORD SET, POWER - 1/2" STRIP |
| TELETYPE CABLES | |
| 0924436-0001 | 160/232 DATA SET CABLE ASSY |
| 0924437-0001 | 202/232 DATA SET CABLE ASSY |
| 0924438-0001 | DATA TERMINAL CABLE ASSY |
| 0924439-0001 | CABLE ASSY, EIA - 742 |
| 0924440-0001 | CABLE ASSY, EIA INTERFACE |
| 0924441-0001 | CABLE ASSY, 2000 BAUD |
| 0924442-0001 | CABLE ASSY, EIA (102A) I/F |
| 0924443-0001 | CABLE ASSY, EIA (102A) I/F |
| 0924444-0001 | CABLE ASSY, EIA EXTENSION I/A |
| 0924445-0001 | CABLE ASSY, EIA EXTENSION I/A |
| 0924446-0001 | CABLE ASSY, 742 AUX EIA I/F |

ORDER NUMBER: **D196214** QUANTITY: **2360000**
 ORDER DATE: **196214** ORDER SOURCE: **2**
 ORDER TYPE: **D** ORDER NUMBER: **2360000**
 ORDER DATE: **196214** ORDER SOURCE: **2**



PROCESSOR JUMPERS
94604-2

| DISABLE OPTION (STD) | ENABLE OPTION |
|----------------------|---------------|
| NDE E2 to E3 | E1 to E2 |
| DNB E4 to E5 | E3 to E6 |
| IRC E8 to E9 | E7 to E8 |
| LBP E11 to E12 | E11 to E12 |
| DCC E13 to E14 | E13 to E14 |
| | E11 to E12 |

LBO JUMPERS (REV. D)
94650

| DISABLE OPTION (STD) | ENABLE OPTION |
|----------------------|---------------|
| GDD NO JUMPER | E7 to E20 |
| HDP E20 to E30 | E25 to E26 |
| | E27 to E28 |
| | E29 to E30 |
| DSC E1 to E2 | E2 to E3 |
| BRO E4 to E5 | E5 to E6 |
| DNB E8 to E9 | E7 to E8 |
| IRC E10 to E11 | E11 to E12 |
| GDS E19 to E20 | E20 to E21 |

LBO JUMPERS (REV. E)
94650B

| DISABLE OPTION (STD) | ENABLE OPTION |
|----------------------|---------------|
| LBE E2 to E3 | E20 to E21 |
| GDD E20 to E31 | E27 to E28 |
| HDP E27 to E30 | E29 to E30 |
| DSC E1 to E2 | E2 to E3 |
| BRO E4 to E5 | E5 to E6 |
| DNB E8 to E9 | E7 to E8 |
| IRC E10 to E11 | E11 to E12 |
| GDS E19 to E20 | E20 to E21 |

MOTHERBOARD JUMPER
(SIGNAL/POWER GROUND ISOLATION)

| DISABLE OPTION (STD) | ENABLE OPTION |
|----------------------|---------------|
| ISO E6-E7 | CUT JUMPER |

BELOW IS A LIST OF OPTIONS WITH SUBOPTIONS THAT ARE ALLOWED.
ANY OTHER COMBINATIONS ARE NOT ALLOWED AND WILL BE FAILED AT SYSTEM TEST.

| SUBOPTION | CANNOT BE USED WITH ANY LINE BUFFER CONFIGURATION |
|-----------|---|
| OPTION | ALLOWED SUBOPTIONS |
| LBE | *DSC *GDS |
| LBY | *BRO *DSC *GDS |
| LBP | *DSC *GDS |

*THESE SUBOPTIONS ARE ONLY FOR LINE BUFFER OPTION

MOTHERBOARD CAPACITOR OPTION
(SIGNAL/POWER GROUND ISOLATED BY CAPACITOR)

| DISABLE OPTION (STD) | ENABLE OPTION |
|----------------------|-----------------|
| ISC E6-E7 | ADD 3900 P4 CAP |

DATE: 2.3.0000

PART NO: 96214
 REV: 10/78
 QUANTITY: 2360000
 UNIT: NONE
 DATE: 2.3.0000

| PART NUMBER | STANDARD CONFIGURATIONS (WHICH MAY BE REPLACED BY OPTIONAL CONFIGURATIONS) | OPTIONAL CONFIGURATIONS (WHICH MAY BE SELECTED TO REPLACE STANDARD CONFIGURATIONS) | OPTION MNEM | WHERE STRAPPED | JUMPER LOCATION TO DIS-ABLE OPTION (STANDARD) | JUMPER LOCATION TO ENABLE OPTION | COMMENTS |
|-------------|--|---|-------------|--------------------------------|---|------------------------------------|---|
| 256026-0019 | UNITED STATES FULL ASCII | SWEDEN / FINLAND FULL ASCII | SWF | BIO LQ UPGRADE | R1, R2, R3, R4 INSTALLED | R1, R3 INSTALLED R2, R4 REMOVED | USE ONLY WITH LQ UP-GRADE BOARD 2237575-000 |
| -0020 | | DENMARK/NORWAY FULL ASCII | DNF | | | R1, R4 INSTALLED R2, R3 REMOVED | |
| -0021 | | SWISS FULL ASCII | SZF | | | R1 INSTALLED R2, R3, R4 REMOVED | |
| -0022 | | FRENCH WORD PROCESSING | FWF | | | R2, R3, R4 INSTALLED R1 REMOVED | |
| -0023 | UNITED STATES FULL ASCII | FRENCH CANADIAN FULL ASCII | FCF | BIO LQ UPGRADE | R1, R2, R3, R4 INSTALLED | R1, R2, R3 INSTALLED R4 REMOVED | USE ONLY WITH LQ UPGRADE BOARD 2237575-0001 |
| -0024 | DATA BROUGHT HIGH TO INDICATE PRINTER ONLINE ONLY REVERSE CHANNEL HELD HIGH TO INDICATE NOT BUSY | DATA BROUGHT HIGH TO INDICATE PRINTER ONLINE AND NOT BUSY REVERSE CHANNEL HELD LOW TO INDICATE NOT BUSY | DNB IRC | PROCESSOR UPGRADE PROCESSOR | E4 TO E5 E8 TO E9 | E5 TO E8 E7 TO E8 | 2400 BAUD - 8 DATA BITS - 1 STOP BIT - AUTO LINEFEED OVERRIDE ON - AUTO PERF. SWP. OVERRIDE ON - WPC POSITION 1 [Z] |

PART NO. 256026
 DC8889 2560026
 Texas Instruments
 Dallas, Texas
 Rev. 2 of 2

List of Materials

05/12/84

PART NUMBER REV DESCRIPTION.....
2360026-0001 E NDE OPTION

| ITEM. | QUANTITY. | COMPONENT.. | DESCRIPTION..... | UM |
|-------|-----------|--------------|---------------------------------|----|
| 0001 | 00000.000 | 0994244-0002 | PROCESSOR, 810 1225-2244-999 | EA |

05/12/84

PART NUMBER REV DESCRIPTION.....
2360026-0002 E ONB OPTION

| ITEM. | QUANTITY. | COMPONENT.. | DESCRIPTION..... | UM |
|-------|-----------|--------------|---------------------------------|----|
| 0001 | 00000.000 | 0994244-0002 | PROCESSOR, 810 1225-2244-999 | EA |

05/12/84

PART NUMBER REV DESCRIPTION.....
2360026-0003 E IRC OPTION

| ITEM. | QUANTITY. | COMPONENT.. | DESCRIPTION..... | UM |
|-------|-----------|--------------|---------------------------------|----|
| 0001 | 00000.000 | 0994244-0002 | PROCESSOR, 810 1225-2244-999 | EA |

05/12/84

PART NUMBER REV DESCRIPTION.....
2360026-0004 E DCU OPTION

| ITEM. | QUANTITY. | COMPONENT.. | DESCRIPTION..... | UM |
|-------|-----------|--------------|---------------------------------|----|
| 0001 | 00000.000 | 0994244-0002 | PROCESSOR, 810 1225-2244-999 | EA |

05/12/84

PART NUMBER REV DESCRIPTION.....
2360026-0005 E GED OPTION

| ITEM. | QUANTITY. | COMPONENT.. | DESCRIPTION..... | UM |
|-------|-----------|--------------|--|----|
| 0001 | 00000.000 | 0994503-0002 | LINE BUFFER, SERIAL INTERFACE- 810 PRTR 1225-2503-048 | EA |

05/12/84

PART NUMBER REV DESCRIPTION.....
2360026-0006 E HDP OPTION

| ITEM. | QUANTITY. | COMPONENT.. | DESCRIPTION..... | UM |
|-------|-----------|--------------|--|----|
| 0001 | 00000.000 | 0994503-0002 | LINE BUFFER, SERIAL INTERFACE- 810 PRTR 1225-2503-048 | EA |

List of Materials

05/12/84

PART NUMBER REV DESCRIPTION.....
 2360026-0007 E DSC OPTION

| ITEM. | QUANTITY. | COMPONENT.. | DESCRIPTION..... | UM |
|-------|-----------|--------------|--|----|
| 0001 | 00000.000 | 0994503-0002 | LINE BUFFER, SERIAL INTERFACE- 810 PRTR 1225-2503-048 | EA |

05/12/84

PART NUMBER REV DESCRIPTION.....
 2360026-0008 E DNB OPTION

| ITEM. | QUANTITY. | COMPONENT.. | DESCRIPTION..... | UM |
|-------|-----------|--------------|--|----|
| 0001 | 00000.000 | 0994503-0002 | LINE BUFFER, SERIAL INTERFACE- 810 PRTR 1225-2503-048 | EA |

05/12/84

PART NUMBER REV DESCRIPTION.....
 2360026-0009 E IRC OPTION

| ITEM. | QUANTITY. | COMPONENT.. | DESCRIPTION..... | UM |
|-------|-----------|--------------|--|----|
| 0001 | 00000.000 | 0994503-0002 | LINE BUFFER, SERIAL INTERFACE- 810 PRTR 1225-2503-048 | EA |

05/12/84

PART NUMBER REV DESCRIPTION.....
 2360026-0010 E GDS OPTION

| ITEM. | QUANTITY. | COMPONENT.. | DESCRIPTION..... | UM |
|-------|-----------|--------------|--|----|
| 0001 | 00000.000 | 0994503-0002 | LINE BUFFER, SERIAL INTERFACE- 810 PRTR 1225-2503-048 | EA |

05/12/84

PART NUMBER REV DESCRIPTION.....
 2360026-0011 L PART NUMBER NOT AN ASSEMBLY

| ITEM. | QUANTITY. | COMPONENT.. | DESCRIPTION..... | UM |
|-------|-----------|-------------|------------------|----|
| | | | | |

05/12/84

PART NUMBER REV DESCRIPTION.....
 2360026-0012 E ISC OPTION

| ITEM. | QUANTITY. | COMPONENT.. | DESCRIPTION..... | UM |
|-------|-----------|--------------|---|----|
| 0001 | 00000.000 | 0994531-0002 | MOTHERBOARD, 810 PRINTER 1225-2531-198 | EA |

List of Materials

05/12/84

PART NUMBER REV DESCRIPTION.....
 2360026-0013 E 100V POWER INPUT

| ITEM. | QUANTITY. | COMPONENT.. | DESCRIPTION..... | UM |
|-------|-----------|--------------|---|----|
| 0001 | 00000.000 | 0994461-0001 | AC POWER MOD ASSY,W/EMI FILTER 1225-1461-111 | EA |
| 0003 | 00001.000 | 2360042-0001 | LABEL,FUSE WARNING 1225-0000-000 | EA |

05/12/84

PART NUMBER REV DESCRIPTION.....
 2360026-0014 E 220V POWER INPUT

| ITEM. | QUANTITY. | COMPONENT.. | DESCRIPTION..... | UM |
|-------|-----------|--------------|---|----|
| 0001 | 00000.000 | 0994461-0001 | AC POWER MOD ASSY,W/EMI FILTER 1225-1461-111 | EA |
| 0002 | 00001.000 | 0416434-0004 | FUSE 2.5 AMP 250 VCLTS | EA |
| 0003 | 00001.000 | 2360042-0001 | LABEL,FUSE WARNING 1225-0000-000 | EA |

05/12/84

PART NUMBER REV DESCRIPTION.....
 2360026-0015 E 240V POWER INPUT

| ITEM. | QUANTITY. | COMPONENT.. | DESCRIPTION..... | UM |
|-------|-----------|--------------|---|----|
| 0001 | 00000.000 | 0994461-0001 | AC POWER MOD ASSY,W/EMI FILTER 1225-1461-111 | EA |
| 0002 | 00001.000 | 0416434-0004 | FUSE 2.5 AMP 250 VCLTS | EA |
| 0003 | 00001.000 | 2360042-0001 | LABEL,FUSE WARNING 1225-0000-000 | EA |

05/12/84

PART NUMBER REV DESCRIPTION.....
 2360026-0016 E UKF (810 LQ) OPTION

| ITEM. | QUANTITY. | COMPONENT.. | DESCRIPTION..... | UM |
|-------|-----------|--------------|--|----|
| 0001 | 00000.000 | 2232575-0001 | LETTER QUALITY,2ND GENERATION - 810 1225-1575-012 | EA |

05/12/84

PART NUMBER REV DESCRIPTION.....
 2360026-0017 E GRF (810 LC) OPTION

| ITEM. | QUANTITY. | COMPONENT.. | DESCRIPTION..... | UM |
|-------|-----------|--------------|--|----|
| 0001 | 00000.000 | 2232575-0001 | LETTER QUALITY,2ND GENERATION - 810 1225-1575-012 | EA |

List of Materials

| | | | | |
|--------------|-----------|---------------------|--|----|
| 05/12/84 | | | | |
| PART NUMBER | REV | DESCRIPTION..... | | |
| 236J026-0018 | E | SPF (810 LC) OPTION | | |
| ITEM. | QUANTITY. | COMPONENT.. | DESCRIPTION..... | UM |
| 0001 | 00000.000 | 2232575-0001 | LETTER QUALITY,2ND GENERATION - 810 1225-1575-012 | EA |
| 05/12/84 | | | | |
| PART NUMBER | REV | DESCRIPTION..... | | |
| 236J026-0019 | E | SWF (810 LC) OPTION | | |
| ITEM. | QUANTITY. | COMPONENT.. | DESCRIPTION..... | UM |
| 0001 | 00000.000 | 2232575-0001 | LETTER QUALITY,2ND GENERATION - 810 1225-1575-012 | EA |
| 05/12/84 | | | | |
| PART NUMBER | REV | DESCRIPTION..... | | |
| 2360026-0020 | E | DNF (810 LC) OPTION | | |
| ITEM. | QUANTITY. | COMPONENT.. | DESCRIPTION..... | UM |
| 0001 | 00000.000 | 2232575-0001 | LETTER QUALITY,2ND GENERATION - 810 1225-1575-012 | EA |
| 05/12/84 | | | | |
| PART NUMBER | REV | DESCRIPTION..... | | |
| 236J026-0021 | E | SZF (810 LC) OPTION | | |
| ITEM. | QUANTITY. | COMPONENT.. | DESCRIPTION..... | UM |
| 0001 | 00000.000 | 2232575-0001 | LETTER QUALITY,2ND GENERATION - 810 1225-1575-012 | EA |
| 05/12/84 | | | | |
| PART NUMBER | REV | DESCRIPTION..... | | |
| 236J026-0022 | E | FWF (810 LC) OPTION | | |
| ITEM. | QUANTITY. | COMPONENT.. | DESCRIPTION..... | UM |
| 0001 | 00000.000 | 2232575-0001 | LETTER QUALITY,2ND GENERATION - 810 1225-1575-012 | EA |
| 05/12/84 | | | | |
| PART NUMBER | REV | DESCRIPTION..... | | |
| 236J026-0023 | E | FCF (810 LC) OPTION | | |
| ITEM. | QUANTITY. | COMPONENT.. | DESCRIPTION..... | UM |
| 0001 | 00000.000 | 2232575-0001 | LETTER QUALITY,2ND GENERATION - 810 1225-1575-012 | EA |
| 05/12/84 | | | | |
| PART NUMBER | REV | DESCRIPTION..... | | |
| 236J026-0024 | E | DNB, IRC OPTION | | |
| ITEM. | QUANTITY. | COMPONENT.. | DESCRIPTION..... | UM |
| 0001 | 00000.000 | 0994244-0002 | PROCESSOR, 810 1225-2244-999 | EA |

List of Materials

01/28/84

| PART NUMBER | REV | DESCRIPTION..... | | |
|--------------|-----------|--|--|----|
| 2360091-0001 | B | FIELD INSTALLATION KIT,810 LTR QUALITY | | |
| ITEM. | QUANTITY. | COMPONENT.. | DESCRIPTION..... | UM |
| 0001 | 00001.000 | 2360095-0001 | PWB ASSY, 810 LQ (FULL-SIZE) 1225-1095-016 | EA |
| 0002 | 00001.000 | 2360090-9701 | 810 LETTER QUALITY USER MANUAL 1225-0090-000 | EA |
| 0003 | 00001.000 | 0994207-0002 | MOTOR ASSY,810 LQ, PAPER DRIVE 1225-2207-019 | EA |
| 0004 | 00001.000 | 0994351-0001 | LABEL,CONFIGURATION 1225-1351-000 | EA |
| 0005 | 00000.007 | 0231792-0004 | COLOR DOT,YELLOW.250 DIA. 085480-QD25 YELLOW | SH |
| 0006 | 00001.000 | 2217374-0002 | PRINthead ASSY,UNIVERSAL -810 1225-2374-000 | EA |
| 0007 | 00001.000 | 2360075-0001 | STRAP,GND,EIA CONN & PAPER BASKET 1680-0075-049 | EA |
| 0008 | 00001.000 | 0994438-0002 | BRACKET,RIGHT-STATIC-GRD 1680-2438-073 | EA |
| 0009 | 00001.000 | 0999941-0001 | CABLE, GROUND-PAPER BASKET-STAND 1225-1941-062 | EA |
| 0010 | 00001.000 | 0999940-9701 | MANUAL, PAPER BASKET-STAND 1225-9940-000 | EA |
| 0011 | 00001.000 | 0994441-9701 | MANUAL PAPER BASKET-TERMINAL 1225-4441-000 | EA |

01/28/84

| PART NUMBER | REV | DESCRIPTION..... | | |
|--------------|-----------|---------------------------------------|--|----|
| 2360091-0002 | B | FIELD INSTALLATION KIT,810 2ND GEN LQ | | |
| ITEM. | QUANTITY. | COMPONENT.. | DESCRIPTION..... | UM |
| 0001 | 00001.000 | 2232575-0001 | LETTER QUALITY,2ND GENERATION - 810 1225-1575-010 | EA |
| 0002 | 00001.000 | 2360090-9701 | 810 LETTER QUALITY USER MANUAL 1225-0090-000 | EA |
| 0003 | 00001.000 | 0994207-0002 | MOTOR ASSY,810 LQ, PAPER DRIVE 1225-2207-019 | EA |
| 0004 | 00001.000 | 0994351-0001 | LABEL,CONFIGURATION 1225-1351-000 | EA |
| 0006 | 00001.000 | 2217374-0002 | PRINthead ASSY,UNIVERSAL -810 1225-2374-000 | EA |
| 0007 | 00001.000 | 2360075-0001 | STRAP,GND,EIA CONN & PAPER BASKET 1680-0075-049 | EA |
| 0008 | 00001.000 | 0994438-0002 | BRACKET,RIGHT-STATIC-GRD 1680-2438-073 | EA |
| 0009 | 00001.000 | 0999941-0001 | CABLE, GROUND-PAPER BASKET-STAND 1225-1941-062 | EA |
| 0010 | 00001.000 | 0999940-9701 | MANUAL, PAPER BASKET-STAND 1225-9940-000 | EA |
| 0011 | 00001.000 | 0994441-9701 | MANUAL PAPER BASKET-TERMINAL 1225-4441-000 | EA |
| 0012 | 00001.000 | 0994294-0001 | CARD GUIDE,CENTER 1255-0028-013 | EA |
| 0013 | 00002.000 | 0996225-0001 | FASTENER,PUSHNUT,REMOVABLE .185/.190 DIA PAL - PZ001935 | EA |

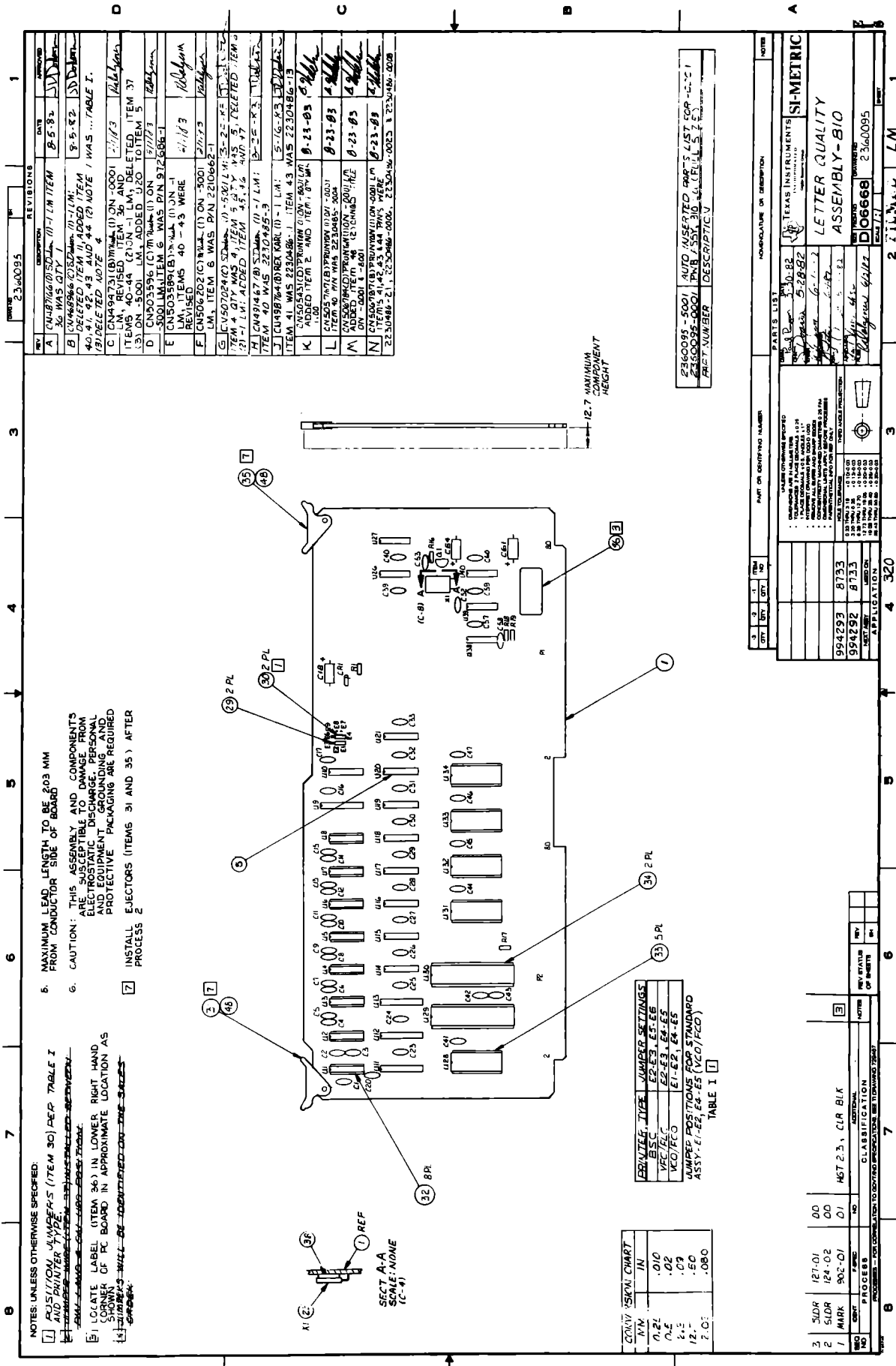
List of Materials

01/28/84

| | | | |
|--------------|-----------|--|--|
| PART NUMBER | REV | DESCRIPTION..... | |
| 2360091-8001 | B | FIELD INSTL KIT,810 LTR QUALITY - SPARES | |
| ITEM. | QUANTITY. | COMPONENT.. | DESCRIPTION..... UM |
| 0001 | 00001.000 | 2360091-0001 | FIELD INSTALLATION KIT,810 LTR QUALITY EA 1225-9091-000 |

01/28/84

| | | | |
|--------------|-----------|---|---|
| PART NUMBER | REV | DESCRIPTION..... | |
| 2360091-8002 | B | FIELD INSTALL KIT,810 2ND GEN LQ-SPARES | |
| ITEM. | QUANTITY. | COMPONENT.. | DESCRIPTION..... UM |
| 0001 | 00001.000 | 2360091-0002 | FIELD INSTALLATION KIT,810 2ND GEN LQ EA 1225-2091-000 |



- NOTES, UNLESS OTHERWISE SPECIFIED:
- 1 POSITION, DIMENSIONS (ITEM 30) PER TABLE I AND PRINTER TYPE.
 - 2 DIMENSIONS ARE TO CENTER UNLESS OTHERWISE SPECIFIED.
 - 3 LOCATE LABEL (ITEM 36) IN LOWER RIGHT HAND CORNER OF PCB BOARD IN APPROXIMATE LOCATION AS SHOWN.
 - 4 DIMENSIONS WILL BE IDENTIFIED ON THE SIZE SPECIFICATION.
5. MAXIMUM LEAD LENGTH TO BE .203 MM FROM CONDUCTOR SIDE OF BOARD
6. CAUTION: THIS ASSEMBLY AND COMPONENTS ARE SUSCEPTIBLE TO DAMAGE FROM ELECTROSTATIC DISCHARGE, PERSONAL PROTECTIVE EQUIPMENT, GROUNDING, AND PROTECTIVE PACKAGING ARE REQUIRED
- 7 INSTALL EJECTORS (ITEMS 31 AND 35) AFTER PROCESS 2

| REV | DESCRIPTION | DATE | APPROVED |
|-----|---|--------|----------|
| A | 2360095 | | |
| B | 36 WAS CITY 1 | 8-5-82 | |
| C | DELETED ITEM 11, ADDED ITEM 44, DELETED ITEM 40 AND 4 (2) NOTE 1 WAS ... TABLE I. | 8-5-82 | |
| D | DELETED ITEM 11, ADDED ITEM 44, DELETED ITEM 40 AND 4 (2) NOTE 1 WAS ... TABLE I. | 8-5-82 | |
| E | REVISIONS | | |
| F | REVISIONS | | |
| G | REVISIONS | | |
| H | REVISIONS | | |
| I | REVISIONS | | |
| J | REVISIONS | | |
| K | REVISIONS | | |
| L | REVISIONS | | |
| M | REVISIONS | | |
| N | REVISIONS | | |
| O | REVISIONS | | |

| REV | DESCRIPTION | DATE | APPROVED |
|-----|---|--------|----------|
| 1 | 2360095 | | |
| 2 | 36 WAS CITY 1 | 8-5-82 | |
| 3 | DELETED ITEM 11, ADDED ITEM 44, DELETED ITEM 40 AND 4 (2) NOTE 1 WAS ... TABLE I. | 8-5-82 | |
| 4 | DELETED ITEM 11, ADDED ITEM 44, DELETED ITEM 40 AND 4 (2) NOTE 1 WAS ... TABLE I. | 8-5-82 | |
| 5 | REVISIONS | | |
| 6 | REVISIONS | | |
| 7 | REVISIONS | | |
| 8 | REVISIONS | | |
| 9 | REVISIONS | | |
| 10 | REVISIONS | | |
| 11 | REVISIONS | | |
| 12 | REVISIONS | | |
| 13 | REVISIONS | | |
| 14 | REVISIONS | | |
| 15 | REVISIONS | | |
| 16 | REVISIONS | | |
| 17 | REVISIONS | | |
| 18 | REVISIONS | | |
| 19 | REVISIONS | | |
| 20 | REVISIONS | | |
| 21 | REVISIONS | | |
| 22 | REVISIONS | | |
| 23 | REVISIONS | | |
| 24 | REVISIONS | | |
| 25 | REVISIONS | | |
| 26 | REVISIONS | | |
| 27 | REVISIONS | | |
| 28 | REVISIONS | | |
| 29 | REVISIONS | | |
| 30 | REVISIONS | | |
| 31 | REVISIONS | | |
| 32 | REVISIONS | | |
| 33 | REVISIONS | | |
| 34 | REVISIONS | | |
| 35 | REVISIONS | | |
| 36 | REVISIONS | | |
| 37 | REVISIONS | | |
| 38 | REVISIONS | | |
| 39 | REVISIONS | | |
| 40 | REVISIONS | | |
| 41 | REVISIONS | | |
| 42 | REVISIONS | | |
| 43 | REVISIONS | | |
| 44 | REVISIONS | | |
| 45 | REVISIONS | | |

| REV | DESCRIPTION | DATE | APPROVED |
|-----|---|--------|----------|
| 1 | 2360095 | | |
| 2 | 36 WAS CITY 1 | 8-5-82 | |
| 3 | DELETED ITEM 11, ADDED ITEM 44, DELETED ITEM 40 AND 4 (2) NOTE 1 WAS ... TABLE I. | 8-5-82 | |
| 4 | DELETED ITEM 11, ADDED ITEM 44, DELETED ITEM 40 AND 4 (2) NOTE 1 WAS ... TABLE I. | 8-5-82 | |
| 5 | REVISIONS | | |
| 6 | REVISIONS | | |
| 7 | REVISIONS | | |
| 8 | REVISIONS | | |
| 9 | REVISIONS | | |
| 10 | REVISIONS | | |
| 11 | REVISIONS | | |
| 12 | REVISIONS | | |
| 13 | REVISIONS | | |
| 14 | REVISIONS | | |
| 15 | REVISIONS | | |
| 16 | REVISIONS | | |
| 17 | REVISIONS | | |
| 18 | REVISIONS | | |
| 19 | REVISIONS | | |
| 20 | REVISIONS | | |
| 21 | REVISIONS | | |
| 22 | REVISIONS | | |
| 23 | REVISIONS | | |
| 24 | REVISIONS | | |
| 25 | REVISIONS | | |
| 26 | REVISIONS | | |
| 27 | REVISIONS | | |
| 28 | REVISIONS | | |
| 29 | REVISIONS | | |
| 30 | REVISIONS | | |
| 31 | REVISIONS | | |
| 32 | REVISIONS | | |
| 33 | REVISIONS | | |
| 34 | REVISIONS | | |
| 35 | REVISIONS | | |
| 36 | REVISIONS | | |
| 37 | REVISIONS | | |
| 38 | REVISIONS | | |
| 39 | REVISIONS | | |
| 40 | REVISIONS | | |
| 41 | REVISIONS | | |
| 42 | REVISIONS | | |
| 43 | REVISIONS | | |
| 44 | REVISIONS | | |
| 45 | REVISIONS | | |

| REV | DESCRIPTION | DATE | APPROVED |
|-----|---|--------|----------|
| 1 | 2360095 | | |
| 2 | 36 WAS CITY 1 | 8-5-82 | |
| 3 | DELETED ITEM 11, ADDED ITEM 44, DELETED ITEM 40 AND 4 (2) NOTE 1 WAS ... TABLE I. | 8-5-82 | |
| 4 | DELETED ITEM 11, ADDED ITEM 44, DELETED ITEM 40 AND 4 (2) NOTE 1 WAS ... TABLE I. | 8-5-82 | |
| 5 | REVISIONS | | |
| 6 | REVISIONS | | |
| 7 | REVISIONS | | |
| 8 | REVISIONS | | |
| 9 | REVISIONS | | |
| 10 | REVISIONS | | |
| 11 | REVISIONS | | |
| 12 | REVISIONS | | |
| 13 | REVISIONS | | |
| 14 | REVISIONS | | |
| 15 | REVISIONS | | |
| 16 | REVISIONS | | |
| 17 | REVISIONS | | |
| 18 | REVISIONS | | |
| 19 | REVISIONS | | |
| 20 | REVISIONS | | |
| 21 | REVISIONS | | |
| 22 | REVISIONS | | |
| 23 | REVISIONS | | |
| 24 | REVISIONS | | |
| 25 | REVISIONS | | |
| 26 | REVISIONS | | |
| 27 | REVISIONS | | |
| 28 | REVISIONS | | |
| 29 | REVISIONS | | |
| 30 | REVISIONS | | |
| 31 | REVISIONS | | |
| 32 | REVISIONS | | |
| 33 | REVISIONS | | |
| 34 | REVISIONS | | |
| 35 | REVISIONS | | |
| 36 | REVISIONS | | |
| 37 | REVISIONS | | |
| 38 | REVISIONS | | |
| 39 | REVISIONS | | |
| 40 | REVISIONS | | |
| 41 | REVISIONS | | |
| 42 | REVISIONS | | |
| 43 | REVISIONS | | |
| 44 | REVISIONS | | |
| 45 | REVISIONS | | |

| REV | DESCRIPTION | DATE | APPROVED |
|-----|---|--------|----------|
| 1 | 2360095 | | |
| 2 | 36 WAS CITY 1 | 8-5-82 | |
| 3 | DELETED ITEM 11, ADDED ITEM 44, DELETED ITEM 40 AND 4 (2) NOTE 1 WAS ... TABLE I. | 8-5-82 | |
| 4 | DELETED ITEM 11, ADDED ITEM 44, DELETED ITEM 40 AND 4 (2) NOTE 1 WAS ... TABLE I. | 8-5-82 | |
| 5 | REVISIONS | | |
| 6 | REVISIONS | | |
| 7 | REVISIONS | | |
| 8 | REVISIONS | | |
| 9 | REVISIONS | | |
| 10 | REVISIONS | | |
| 11 | REVISIONS | | |
| 12 | REVISIONS | | |
| 13 | REVISIONS | | |
| 14 | REVISIONS | | |
| 15 | REVISIONS | | |
| 16 | REVISIONS | | |
| 17 | REVISIONS | | |
| 18 | REVISIONS | | |
| 19 | REVISIONS | | |
| 20 | REVISIONS | | |
| 21 | REVISIONS | | |
| 22 | REVISIONS | | |
| 23 | REVISIONS | | |
| 24 | REVISIONS | | |
| 25 | REVISIONS | | |
| 26 | REVISIONS | | |
| 27 | REVISIONS | | |
| 28 | REVISIONS | | |
| 29 | REVISIONS | | |
| 30 | REVISIONS | | |
| 31 | REVISIONS | | |
| 32 | REVISIONS | | |
| 33 | REVISIONS | | |
| 34 | REVISIONS | | |
| 35 | REVISIONS | | |
| 36 | REVISIONS | | |
| 37 | REVISIONS | | |
| 38 | REVISIONS | | |
| 39 | REVISIONS | | |
| 40 | REVISIONS | | |
| 41 | REVISIONS | | |
| 42 | REVISIONS | | |
| 43 | REVISIONS | | |
| 44 | REVISIONS | | |
| 45 | REVISIONS | | |

| REV | DESCRIPTION | DATE | APPROVED |
|-----|---|--------|----------|
| 1 | 2360095 | | |
| 2 | 36 WAS CITY 1 | 8-5-82 | |
| 3 | DELETED ITEM 11, ADDED ITEM 44, DELETED ITEM 40 AND 4 (2) NOTE 1 WAS ... TABLE I. | 8-5-82 | |
| 4 | DELETED ITEM 11, ADDED ITEM 44, DELETED ITEM 40 AND 4 (2) NOTE 1 WAS ... TABLE I. | 8-5-82 | |
| 5 | REVISIONS | | |
| 6 | REVISIONS | | |
| 7 | REVISIONS | | |
| 8 | REVISIONS | | |
| 9 | REVISIONS | | |
| 10 | REVISIONS | | |
| 11 | REVISIONS | | |
| 12 | REVISIONS | | |
| 13 | REVISIONS | | |
| 14 | REVISIONS | | |
| 15 | REVISIONS | | |
| 16 | REVISIONS | | |
| 17 | REVISIONS | | |
| 18 | REVISIONS | | |
| 19 | REVISIONS | | |
| 20 | REVISIONS | | |
| 21 | REVISIONS | | |
| 22 | REVISIONS | | |
| 23 | REVISIONS | | |
| 24 | REVISIONS | | |
| 25 | REVISIONS | | |
| 26 | REVISIONS | | |
| 27 | REVISIONS | | |
| 28 | REVISIONS | | |
| 29 | REVISIONS | | |
| 30 | REVISIONS | | |
| 31 | REVISIONS | | |
| 32 | REVISIONS | | |
| 33 | REVISIONS | | |
| 34 | REVISIONS | | |
| 35 | REVISIONS | | |
| 36 | REVISIONS | | |
| 37 | REVISIONS | | |
| 38 | REVISIONS | | |
| 39 | REVISIONS | | |
| 40 | REVISIONS | | |
| 41 | REVISIONS | | |
| 42 | REVISIONS | | |
| 43 | REVISIONS | | |
| 44 | REVISIONS | | |
| 45 | REVISIONS | | |

| REV | DESCRIPTION | DATE | APPROVED |
|-----|---|--------|----------|
| 1 | 2360095 | | |
| 2 | 36 WAS CITY 1 | 8-5-82 | |
| 3 | DELETED ITEM 11, ADDED ITEM 44, DELETED ITEM 40 AND 4 (2) NOTE 1 WAS ... TABLE I. | 8-5-82 | |
| 4 | DELETED ITEM 11, ADDED ITEM 44, DELETED ITEM 40 AND 4 (2) NOTE 1 WAS ... TABLE I. | 8-5-82 | |
| 5 | REVISIONS | | |
| 6 | REVISIONS | | |
| 7 | REVISIONS | | |
| 8 | REVISIONS | | |
| 9 | REVISIONS | | |
| 10 | REVISIONS | | |
| 11 | REVISIONS | | |
| 12 | REVISIONS | | |
| 13 | REVISIONS | | |
| 14 | REVISIONS | | |
| 15 | REVISIONS | | |
| 16 | REVISIONS | | |
| 17 | REVISIONS | | |
| 18 | REVISIONS | | |
| 19 | REVISIONS | | |
| 20 | REVISIONS | | |
| 21 | REVISIONS | | |
| 22 | REVISIONS | | |
| 23 | REVISIONS | | |
| 24 | REVISIONS | | |
| 25 | REVISIONS | | |
| 26 | REVISIONS | | |
| 27 | REVISIONS | | |
| 28 | REVISIONS | | |
| 29 | REVISIONS | | |
| 30 | REVISIONS | | |
| 31 | REVISIONS | | |
| 32 | REVISIONS | | |
| 33 | REVISIONS | | |
| 34 | REVISIONS | | |
| 35 | REVISIONS | | |
| 36 | REVISIONS | | |
| 37 | REVISIONS | | |
| 38 | REVISIONS | | |
| 39 | REVISIONS | | |
| 40 | REVISIONS | | |
| 41 | REVISIONS | | |
| 42 | REVISIONS | | |
| 43 | REVISIONS | | |
| 44 | REVISIONS | | |
| 45 | REVISIONS | | |

| REV | DESCRIPTION | DATE | APPROVED |
|-----|---|--------|----------|
| 1 | 2360095 | | |
| 2 | 36 WAS CITY 1 | 8-5-82 | |
| 3 | DELETED ITEM 11, ADDED ITEM 44, DELETED ITEM 40 AND 4 (2) NOTE 1 WAS ... TABLE I. | 8-5-82 | |
| 4 | DELETED ITEM 11, ADDED ITEM 44, DELETED ITEM 40 AND 4 (2) NOTE 1 WAS ... TABLE I. | 8-5-82 | |
| 5 | REVISIONS | | |
| 6 | REVISIONS | | |
| 7 | REVISIONS | | |
| 8 | REVISIONS | | |
| 9 | REVISIONS | | |
| 10 | REVISIONS | | |
| 11 | REVISIONS | | |
| 12 | REVISIONS | | |
| 13 | REVISIONS | | |
| 14 | REVISIONS | | |
| 15 | REVISIONS | | |
| 16 | REVISIONS | | |
| 17 | REVISIONS | | |
| 18 | REVISIONS | | |
| 19 | REVISIONS | | |
| 20 | REVISIONS | | |
| 21 | REVISIONS | | |
| 22 | REVISIONS | | |
| 23 | REVISIONS | | |
| 24 | REVISIONS | | |
| 25 | REVISIONS | | |
| 26 | | | |

List of Materials

01/28/84

| PART NUMBER | REV | DESCRIPTION..... | UM | |
|--------------|-----------|------------------------------|---|----|
| 2360095-0001 | N | PWB ASSY, 810 LQ (FULL-SIZE) | | |
| ITEM. | QUANTITY. | COMPONENT.. | DESCRIPTION..... | UM |
| 0002 | REF | 2360097-0001 | DIAGRAM, LOGIC, LETTER QUALITY PRINTER-810 | EA |
| 0003 | 00008.000 | 0996680-0003 | IC, TMS4116-15/ZAI137, 16K DYNAMIC RAM | EA |
| 0003A | | | 001295-TMS4116-15 U1, U2, U3, U4, U5, U6, U7, U8 | |
| 0012 | 00001.000 | 2210972-0001 | 001295-TMS4116-15 IC, PARALLEL I/O CONTROLLER | EA |
| 0012A | | | SEE TI- DRAWING U29 | |
| 0013 | 00001.000 | 2210301-0001 | SEE TI- DRAWING IC, MICROPROCESSOR, CPU | EA |
| 0013A | | | 056708-Z80A-CPU-PS U30 | |
| 0016 | 00003.000 | 0972924-0018 | 056708-Z80A-CPU-PS CAP FIX TANT SOLID 6.8 UFD 10 % 35 VOLT | EA |
| 0016A | | | QPL -M39003/1-2304 C18, C54, C61 | |
| 0017 | 00041.000 | 0530953-0001 | QPL -M39003/1-2304 CAP, FIX, CERAMIC .01 MF 50V 80-20% | EA |
| 0017A | | | CRL - CK103 C1, C2, C3, C4, C5, C6, C7, C8, C9 | |
| 0017B | | | CRL - CK103 C10, C11, C12, C13, C14, C15, C16 | |
| 0017C | | | CRL - CK103 C17, C20, C23, C24, C25, C26, C27 | |
| 0017D | | | CRL - CK103 C28, C29, C30, C31, C32, C33, C39 | |
| 0017E | | | CRL - CK103 C40, C41, C42, C43, C44, C45, C46 | |
| 0017F | | | CRL - CK103 C47, C57, C59, C60 | |
| 0018 | 00001.000 | 0410529-0102 | CRL - CK103 CAP FIX CERAMIC .001 MF 10% 1 KV | EA |
| 0018A | | | CRL - DD-102 C58 | |
| 0019 | 00001.000 | 0972929-0367 | CRL - DD-102 CAP FIX CERAMIC 22.0 PF 10 % 200 V | EA |
| 0019A | | | QPL -M39014/01-1367 C52 | |
| 0020 | 00001.000 | 0972926-0024 | QPL -M39014/01-1367 CAP FIX MICA 500V 75.0 PF 5 % | EA |
| 0020A | | | QPL -CM04E750J0D C53 | |
| 0021 | 00001.000 | 0236091-0022 | QPL -CM04E750J0D XST 2N3906 | EA |
| 0021A | | | 004713-2N3906 Q1 | |
| 0022 | 00001.000 | 0972934-0006 | 004713-2N3906 DIODE, 1N751A 5.1 V 5% SIL VOLT REG | EA |
| 0022A | | | QPL - 1N751A CR1 | |
| 0023 | 00001.000 | 0538031-0003 | QPL - 1N751A CRYSTAL UNIT QUARTZ 8.00 MHZ .005% | EA |
| 0023A | | | 5955-2000-000 X1 | |
| 0024 | 00001.000 | 0972946-0055 | 5955-2000-000 RES FIX 390 OHM 5 % .25 W CARBON FILM | EA |
| 0024A | | | ROH - R-25 R1 ROH - R-25 | |

List of Materials

01/28/84

| PART NUMBER | REV | DESCRIPTION..... | UM | |
|--------------|-----------|------------------------------|--|----|
| 2360095-0001 | N | PWB ASSY, 810 LQ (FULL-SIZE) | | |
| ITEM. | QUANTITY. | COMPONENT.. | DESCRIPTION..... | UM |
| 0026 | 00001.000 | 0972946-0054 | RES FIX 360 OHM 5 % .25 W CARBON FILM ROH - R-25 | EA |
| 0026A | | | R16 | |
| 0027 | 00001.000 | 0972946-0089 | RES FIX 10K OHM 5% .25 W CARBON FILM 1658- -000 | EA |
| 0027A | | | R17 1658- -000 | |
| 0028 | 00002.000 | 0972946-0051 | RES FIX 270 OHM 5 % .25 W CARBON FILM ROH - R-25 | EA |
| 0028A | | | R18,R19 ROH - R-25 | |
| 0029 | 00002.000 | 0772696-0010 | HEADER,3 PIN .300LG SGL ROW,STRIP OF 3 -0002364 | EA |
| 0029A | | | E1-3,E4-6 -0002364 | |
| 0030 | 00002.000 | 0972487-0001 | JUMPER PLUG,CONNECTOR BLACK 5935-0900-000 | EA |
| 0031 | 00001.000 | 0413277-0001 | EJECTOR,PCB,NON-LOCKING,WHITE SCA -S-200(NATURAL) | EA |
| 0032 | 00008.000 | 2210188-0012 | SOCKET,DIP,16-PINS,LOW PROFILE SEE T -I DRAWING | EA |
| 0032A | | | XU1,XU2,XU3,XU4,XU5,XU6,XU7 | |
| 0032B | | | SEE T -I DRAWING XU8 | |
| 0033 | 00005.000 | 2210188-0016 | SOCKET,DIP,24-PIN,LOW PROFILE SEE T -I DRAWING | EA |
| 0033A | | | XU28,XU31,XU32,XU33,XU34 | |
| 0034 | 00002.000 | 2210188-0018 | SOCKET,DIP,40-PINS,LOW PROFILE SEE T -I DRAWING | EA |
| 0034A | | | XU29,XU30 SEE T -I DRAWING | |
| 0035 | 00001.000 | 0413277-0005 | EJECTOR,PCB,NON-LOCKING,YELLOW SCA -S-200(YELLOW) | EA |
| 0036 | 00001.000 | 2363830-0002 | LABEL,SYMBOLIZATION (51MM X 13MM) 1225- -000 | EA |
| 0038 | 00001.000 | 2211540-0001 | FOAM, .35X.50X.05,POLY, ADHESIVE BACKED SEE TI- DRAWING | EA |
| 0039 | 00001.000 | 2360095-5001 | AUTO-INSERTED PARTS LIST FOR -0001 1225-5095-016 | EA |
| 0040 | 00001.000 | 2230485-0005 | EPROM, 810 LQ, 8080 1225-1485-001 | EA |
| 0040A | | | U28 | |
| 0041 | 00001.000 | 2230486-0031 | EPROM, 810LQ, 280, 1(U31) 1225-0000-000 | EA |
| 0041A | | | U31 1225-0000-000 | |
| 0042 | 00001.000 | 2230486-0012 | EPROM, 810LQ, 280, 2 (U32) 1225-0000-000 | EA |
| 0042A | | | U32 1225-0000-000 | |
| 0043 | 00001.000 | 2230486-0033 | EPROM, 810LQ, 280, 3 (U33) 1225-0000-000 | EA |
| 0043A | | | U33 1225-0000-000 | |
| 0044 | 00001.000 | 2230486-0014 | EPROM, 810LQ, 280, 4 (U34) 1225-0000-000 | EA |

List of Materials

01/28/84

| PART NUMBER | REV | DESCRIPTION..... | |
|--------------|-----------|------------------------------|---|
| 2360095-0001 | N | PWB ASSY, 810 LQ (FULL-SIZE) | |
| ITEM. | QUANTITY. | COMPONENT.. | DESCRIPTION..... U/M |
| 0044A | | | U34 1225-0000-000 |
| 0045 | 00001.000 | 0996089-0004 | IC, SN74LS244N LINE DRIVER EA -SN74LS244N |
| 0045A | | | U12 -SN74LS244N |
| 0046 | 00001.000 | 0972900-7139 | NETWORK SN74LS139N EA TI -SN74LS139N |
| 0046A | | | U17 TI -SN74LS139N |
| 0047 | 00002.000 | 0996136-0001 | IC, SN74LS257N, DATA SELECTORS/MULTIPLEXER EA TI -SN74LS257N |
| 0047A | | | U14, U15 TI -SN74LS257N |
| 0048 | 00002.000 | 0085936-0065 | EYELET, ROLLED FLANGE, .089 O.D. X .312 LG EA |
| 0048A | | | *USED WITH ITEMS 31 & 35 |

01/28/84

| PART NUMBER | REV | DESCRIPTION..... | |
|--------------|-----------|------------------------------------|---|
| 2360095-5001 | N | AUTO-INSERTED PARTS LIST FOR -0001 | |
| ITEM. | QUANTITY. | COMPONENT.. | DESCRIPTION..... U/M |
| 0001 | 00001.000 | 2360098-0001 | PCB, LETTER QUALITY PRINTER EA 1225-0000-000 |
| 0004 | 00003.000 | 0996089-0004 | IC, SN74LS244N LINE DRIVER EA -SN74LS244N |
| 0004A | | | U9, U11, U13 -SN74LS244N |
| 0005 | 00004.000 | 0972900-7139 | NETWORK SN74LS139N EA TI -SN74LS139N |
| 0005A | | | U10, U18, U20, U21 TI -SN74LS139N |
| 0007 | 00001.000 | 0972900-7174 | NETWORK SN74LS174N EA |
| 0007A | | | U16 |
| 0008 | 00001.000 | 0972900-7138 | NETWORK SN74LS138N EA TI -SN74LS138N |
| 0008A | | | U19 TI -SN74LS138N |
| 0009 | 00001.000 | 0219402-7474 | NETWORK SN74LS74N EA |
| 0009A | | | U26 |
| 0010 | 00001.000 | 0972900-7432 | NETWORK SN74LS32N EA TI -SN74LS32N |
| 0010A | | | U27 TI -SN74LS32N |
| 0014 | 00001.000 | 0972900-7404 | NETWORK SN74LS04N EA |
| 0014A | | | U38 |
| 0015 | 00002.000 | 0972900-7474 | NETWORK SN74LS74N EA |
| 0015A | | | U39, U40 |

List of Materials

01/28/84

| PART NUMBER | REV | DESCRIPTION..... | UM | |
|--------------|-----------|----------------------------------|--|----|
| 2360099-0001 | D | KIT, 810, BASIC, 220V, EIA CABLE | | |
| ITEM. | QUANTITY. | COMPONENT.. | DESCRIPTION..... | UM |
| 0001 | 00001.000 | 0994292-0001 | 810 PRINTER ASSY,BASIC 1225-1292-000 | EA |
| 0002 | 00001.000 | 2210558-0001 | CORD SET. POWER, WESTERN EUROPEAN SEE TI- DRAWING | EA |
| 0003 | 00001.000 | 2360026-0014 | 220V POWER INPUT 1225-0000-000 | EA |
| 0004 | 00001.000 | 0993205-0001 | CABLE ASSY,202/212 DATA SET 1221-3205-945 | EA |
| 0006 | 00001.000 | 2226555-0001 | LABEL, KIT, PACKAGING | EA |

01/28/84

| PART NUMBER | REV | DESCRIPTION..... | UM | |
|--------------|-----------|-------------------------------|--|----|
| 2360099-0002 | D | KIT, 810, LBP, 220V, NO CABLE | | |
| ITEM. | QUANTITY. | COMPONENT.. | DESCRIPTION..... | UM |
| 0001 | 00001.000 | 0994292-0001 | 810 PRINTER ASSY,BASIC 1225-1292-000 | EA |
| 0002 | 00001.000 | 2210558-0001 | CORD SET. POWER, WESTERN EUROPEAN SEE TI- DRAWING | EA |
| 0003 | 00001.000 | 2360026-0014 | 220V POWER INPUT 1225-0000-000 | EA |
| 0004 | 00001.000 | 0994513-0001 | LINE BUFFER OPTION-PARALLEL LBP 1225-5135-000 | EA |
| 0006 | 00001.000 | 2226555-0001 | LABEL, KIT, PACKAGING | EA |

01/28/84

| PART NUMBER | REV | DESCRIPTION..... | UM | |
|--------------|-----------|---------------------------------------|--|----|
| 2360099-0003 | D | KIT, 810, FULL ASCII, 220V, EIA CABLE | | |
| ITEM. | QUANTITY. | COMPONENT.. | DESCRIPTION..... | UM |
| 0001 | 00001.000 | 0994292-0001 | 810 PRINTER ASSY,BASIC 1225-1292-000 | EA |
| 0002 | 00001.000 | 2210558-0001 | CORD SET. POWER, WESTERN EUROPEAN SEE TI- DRAWING | EA |
| 0003 | 00001.000 | 2360026-0014 | 220V POWER INPUT 1225-0000-000 | EA |
| 0004 | 00001.000 | 0993205-0001 | CABLE ASSY,202/212 DATA SET 1221-3205-945 | EA |
| 0005 | 00001.000 | 0994395-0019 | CHAR SET,US FULL ASCII W/O VFC-2P 1225-1995-000 | EA |
| 0006 | 00001.000 | 2226555-0001 | LABEL, KIT, PACKAGING | EA |

| PART NUMBER | REV | DESCRIPTION..... | UM | |
|--------------|-----------|--------------------------------|--|----|
| 2360099-0004 | D | KIT, 810, PLT, 220V, EIA CABLE | | |
| ITEM. | QUANTITY. | COMPONENT.. | DESCRIPTION..... | UM |
| 0001 | 00001.000 | 0994292-0001 | 810 PRINTER ASSY,BASIC 1225-1292-000 | EA |
| 0002 | 00001.000 | 2210558-0001 | CORD SET. POWER, WESTERN EUROPEAN SEE TI- DRAWING | EA |
| 0003 | 00001.000 | 2360026-0014 | 220V POWER INPUT 1225-0000-000 | EA |
| 0004 | 00001.000 | 0993205-0001 | CABLE ASSY,202/212 DATA SET 1221-3205-945 | EA |
| 0005 | 00001.000 | 0994401-0002 | TI PARALLEL INTERFACE (PLT) 1225-3401-000 | EA |
| 0006 | 00001.000 | 2226555-0001 | LABEL, KIT, PACKAGING | EA |

List of Materials

01/28/84

| PART NUMBER | REV | DESCRIPTION..... | |
|--------------|-----------|---|---|
| 2360099-0005 | D | KIT, 810, VFC COMP.PR., 220V, EIA CABLE | |
| ITEM. | QUANTITY. | COMPONENT.. | DESCRIPTION..... UH |
| 0001 | 00001.000 | 2360013-0001 | 810 RD PRINTER PACKAGE 1225-1013-000 EA |
| 0002 | 00001.000 | 2210558-0001 | CORD SET, POWER, WESTERN EUROPEAN SEE TI- DRAWING EA |
| 0003 | 00001.000 | 2360026-0014 | 220V POWER INPUT 1225-0000-000 EA |
| 0004 | 00001.000 | 0993205-0001 | CABLE ASSY,202/212 DATA SET 1221-3205-945 EA |
| 0006 | 00001.000 | 2226555-0001 | LABEL, KIT, PACKAGING EA |

01/28/84

| PART NUMBER | REV | DESCRIPTION..... | |
|--------------|-----------|--|---|
| 2360099-0006 | D | KIT, 810, BASIC, U.K., 240V, EIA CABLE | |
| ITEM. | QUANTITY. | COMPONENT.. | DESCRIPTION..... UH |
| 0001 | 00001.000 | 0994292-0001 | 810 PRINTER ASSY,BASIC 1225-1292-000 EA |
| 0002 | 00001.000 | 2211739-0001 | CORDSET,BRITISH POWER,WITH OUTLET SEE TI- DRAWING EA |
| 0003 | 00001.000 | 0993205-0001 | CABLE ASSY,202/212 DATA SET 1221-3205-945 EA |
| 0004 | 00001.000 | 2360026-0015 | 240V POWER INPUT 1225-0000-000 EA |
| 0006 | 00001.000 | 2226555-0001 | LABEL, KIT, PACKAGING EA |

01/28/84

| PART NUMBER | REV | DESCRIPTION..... | |
|--------------|-----------|--------------------------------------|---|
| 2360099-0007 | D | KIT, 810, FLC, U.K., 240V, EIA CABLE | |
| ITEM. | QUANTITY. | COMPONENT.. | DESCRIPTION..... UH |
| 0001 | 00001.000 | 0994292-0002 | 810 PRINTER ASSY,FORMS LG CONTROL 1225-2292-000 EA |
| 0002 | 00001.000 | 2211739-0001 | CORDSET,BRITISH POWER,WITH OUTLET SEE TI- DRAWING EA |
| 0003 | 00001.000 | 0993205-0001 | CABLE ASSY,202/212 DATA SET 1221-3205-945 EA |
| 0004 | 00001.000 | 2360026-0015 | 240V POWER INPUT 1225-0000-000 EA |
| 0006 | 00001.000 | 2226555-0001 | LABEL, KIT, PACKAGING EA |

01/28/84

| PART NUMBER | REV | DESCRIPTION..... | |
|--------------|-----------|--|---|
| 2360099-0008 | D | KIT,810,FLC,COMP.PR.,U.K.,240V,EIA CABLE | |
| ITEM. | QUANTITY. | COMPONENT.. | DESCRIPTION..... UH |
| 0001 | 00001.000 | 0994293-0001 | 810 PRINTER ASSY,FORMS LG,COMP. PRINT 1225-1293-000 EA |
| 0002 | 00001.000 | 2211739-0001 | CORDSET,BRITISH POWER,WITH OUTLET SEE TI- DRAWING EA |
| 0003 | 00001.000 | 0993205-0001 | CABLE ASSY,202/212 DATA SET 1221-3205-945 EA |
| 0004 | 00001.000 | 2360026-0015 | 240V POWER INPUT 1225-0000-000 EA |
| 0006 | 00001.000 | 2226555-0001 | LABEL, KIT, PACKAGING EA |

List of Materials

01/28/84

| PART NUMBER | REV | DESCRIPTION..... |
|--------------|-----|--|
| 2360099-0009 | D | KIT, 810,VFC COMP.PR,U.K.,240V,EIA CABLE |

| ITEM. | QUANTITY. | COMPONENT.. | DESCRIPTION..... | UM |
|-------|-----------|--------------|--|----|
| 0001 | 00001.000 | 0994293-0002 | 810 PRINTER ASSY,VFC,COMPRESSED PRINT 1225-2293-000 | EA |
| 0002 | 00001.000 | 2211739-0001 | CORDSET,BRITISH POWER,WITH OUTLET SEE TI- DRAWING | EA |
| 0003 | 00001.000 | 0993205-0001 | CABLE ASSY,202/212 DATA SET 1221-3205-945 | EA |
| 0004 | 00001.000 | 2360026-0015 | 240V POWER INPUT 1225-0000-000 | EA |
| 0006 | 00001.000 | 2226555-0001 | LABEL, KIT, PACKAGING | EA |

01/28/84

| PART NUMBER | REV | DESCRIPTION..... |
|--------------|-----|-----------------------------------|
| 2360099-0010 | D | OBSOLETE PER ECN497290,REVISION D |

| ITEM. | QUANTITY. | COMPONENT.. | DESCRIPTION..... | UM |
|-------|-----------|--------------|--|----|
| 0001 | 00001.000 | 0994292-0005 | 810 PRINTER ASSY,FORMS LG,9COPY P/H 1225-5292-000 | EA |
| 0002 | 00001.000 | 2211739-0001 | CORDSET,BRITISH POWER,WITH OUTLET SEE TI- DRAWING | EA |
| 0003 | 00001.000 | 0993205-0001 | CABLE ASSY,202/212 DATA SET 1221-3205-945 | EA |
| 0004 | 00001.000 | 2360026-0015 | 240V POWER INPUT 1225-0000-000 | EA |

01/28/84

| PART NUMBER | REV | DESCRIPTION..... |
|--------------|-----|---------------------------------|
| 2360099-0011 | D | KIT, 810, BASIC, 220V, NO CABLE |

| ITEM. | QUANTITY. | COMPONENT.. | DESCRIPTION..... | UM |
|-------|-----------|--------------|--|----|
| 0001 | 00001.000 | 0994292-0001 | 810 PRINTER ASSY,BASIC 1225-1292-000 | EA |
| 0002 | 00001.000 | 2210558-0001 | CORD SET. POWER, WESTERN EUROPEAN SEE TI- DRAWING | EA |
| 0003 | 00001.000 | 2360026-0014 | 220V POWER INPUT 1225-0000-000 | EA |
| 0006 | 00001.000 | 2226555-0001 | LABEL, KIT, PACKAGING | EA |

01/28/84

| PART NUMBER | REV | DESCRIPTION..... |
|--------------|-----|-------------------------------|
| 2360099-0012 | D | KIT, 810, FLC, 220V, NO CABLE |

| ITEM. | QUANTITY. | COMPONENT.. | DESCRIPTION..... | UM |
|-------|-----------|--------------|--|----|
| 0001 | 00001.000 | 0994292-0005 | 810 PRINTER ASSY,FORMS LG,9COPY P/H 1225-5292-000 | EA |
| 0002 | 00001.000 | 2210558-0001 | CORD SET. POWER, WESTERN EUROPEAN SEE TI- DRAWING | EA |
| 0003 | 00001.000 | 2360026-0014 | 220V POWER INPUT 1225-0000-000 | EA |
| 0006 | 00001.000 | 2226555-0001 | LABEL, KIT, PACKAGING | EA |

List of Materials

| 01/28/84 | | | | |
|--------------|-----------|--|--|----|
| PART NUMBER | REV | DESCRIPTION..... | | |
| 2360099-0013 | D | KIT, 810, VFC, COMP.PR.,220V, NO CABLE | | |
| ITEM. | QUANTITY. | COMPONENT.. | DESCRIPTION..... | UM |
| 0001 | 00001.000 | 2360013-0001 | 810 RO PRINTER PACKAGE 1225-1013-000 | EA |
| 0002 | 00001.000 | 2210558-0001 | CORD SET. POWER, WESTERN EUROPEAN SEE TI- DRAWING | EA |
| 0003 | 00001.000 | 2360026-0014 | 220V POWER INPUT 1225-0000-000 | EA |
| 0006 | 00001.000 | 2226555-0001 | LABEL, KIT, PACKAGING | EA |
| 01/28/84 | | | | |
| PART NUMBER | REV | DESCRIPTION..... | | |
| 2360099-0014 | D | KIT, 810, BASIC, SWEDEN, 220V, EIA CABLE | | |
| ITEM. | QUANTITY. | COMPONENT.. | DESCRIPTION..... | UM |
| 0001 | 00001.000 | 0994292-0001 | 810 PRINTER ASSY,BASIC 1225-1292-000 | EA |
| 0002 | 00001.000 | 2210558-0001 | CORD SET. POWER, WESTERN EUROPEAN SEE TI- DRAWING | EA |
| 0003 | 00001.000 | 0993205-0001 | CABLE ASSY,202/212 DATA SET 1221-3205-945 | EA |
| 0004 | 00001.000 | 0994395-0013 | CHAR SET,SWED-FIN FULL ASCII W/O VFC 1225-1395-000 | EA |
| 0005 | 00001.000 | 2360026-0014 | 220V POWER INPUT 1225-0000-000 | EA |
| 0006 | 00001.000 | 2226555-0001 | LABEL, KIT, PACKAGING | EA |
| 01/28/84 | | | | |
| PART NUMBER | REV | DESCRIPTION..... | | |
| 2360099-0015 | D | KIT, 810, FLC, SWEDEN, 220V, EIA CABLE | | |
| ITEM. | QUANTITY. | COMPONENT.. | DESCRIPTION..... | UM |
| 0001 | 00001.000 | 0994292-0002 | 810 PRINTER ASSY,FORMS LG CONTROL 1225-2292-000 | EA |
| 0002 | 00001.000 | 2210558-0001 | CORD SET. POWER, WESTERN EUROPEAN SEE TI- DRAWING | EA |
| 0003 | 00001.000 | 0993205-0001 | CABLE ASSY,202/212 DATA SET 1221-3205-945 | EA |
| 0004 | 00001.000 | 0994395-0013 | CHAR SET,SWED-FIN FULL ASCII W/O VFC 1225-1395-000 | EA |
| 0005 | 00001.000 | 2360026-0014 | 220V POWER INPUT 1225-0000-000 | EA |
| 0006 | 00001.000 | 2226555-0001 | LABEL, KIT, PACKAGING | EA |
| 01/28/84 | | | | |
| PART NUMBER | REV | DESCRIPTION..... | | |
| 2360099-0016 | D | KIT, 810, VFC, SWEDEN, 220V, EIA CABLE | | |
| ITEM. | QUANTITY. | COMPONENT.. | DESCRIPTION..... | UM |
| 0001 | 00001.000 | 0994292-0003 | 810 PRINTER ASSY,VERTICAL FORMS CONTROL 1225-3292-000 | EA |
| 0002 | 00001.000 | 2210558-0001 | CORD SET. POWER, WESTERN EUROPEAN SEE TI- DRAWING | EA |
| 0003 | 00001.000 | 0993205-0001 | CABLE ASSY,202/212 DATA SET 1221-3205-945 | EA |
| 0004 | 00001.000 | 0994395-0113 | CHAR SET,SWED-FIN FULL ASCII W/VFC 1225-1135-000 | EA |
| 0005 | 00001.000 | 2360026-0014 | 220V POWER INPUT 1225-0000-000 | EA |
| 0006 | 00001.000 | 2226555-0001 | LABEL, KIT, PACKAGING | EA |

List of Materials

01/28/84

| PART NUMBER | REV | DESCRIPTION..... | UM | |
|--------------|-----------|---|--|----|
| 2360099-0017 | D | KIT, 810,VFC,COMP.PR.,SWEDEN, EIA CABLE | | |
| ITEM. | QUANTITY. | COMPONENT.. | DESCRIPTION..... | UM |
| 0001 | 00001.000 | 0994293-0002 | 810 PRINTER ASSY,VFC,COMPRESSED PRINT 1225-2293-000 | EA |
| 0002 | 00001.000 | 2210558-0001 | CORD SET. POWER, WESTERN EUROPEAN SEE TI- DRAWING | EA |
| 0003 | 00001.000 | 0993205-0001 | CABLE ASSY,202/212 DATA SET 1221-3205-945 | EA |
| 0004 | 00001.000 | 0994395-0113 | CHAR SET,SWED-FIN FULL ASCII W/VFC 1225-1135-000 | EA |
| 0005 | 00001.000 | 2360026-0014 | 220V POWER INPUT 1225-0000-000 | EA |
| 0006 | 00001.000 | 2226555-0001 | LABEL, KIT, PACKAGING | EA |

01/28/84

| PART NUMBER | REV | DESCRIPTION..... | UM | |
|--------------|-----------|--|--|----|
| 2360099-0018 | D | KIT, 810,BASIC,LIM.DEN/NOR,220V,NO CABLE | | |
| ITEM. | QUANTITY. | COMPONENT.. | DESCRIPTION..... | UM |
| 0001 | 00001.000 | 0994292-0001 | 810 PRINTER ASSY,BASIC 1225-1292-000 | EA |
| 0002 | 00001.000 | 2210558-0001 | CORD SET. POWER, WESTERN EUROPEAN SEE TI- DRAWING | EA |
| 0003 | 00001.000 | 2360026-0014 | 220V POWER INPUT 1225-0000-000 | EA |
| 0004 | 00001.000 | 0994395-0002 | CHAR SET,DAN-NOR LTD ASCII W/O VFC 1225-2395-000 | EA |
| 0006 | 00001.000 | 2226555-0001 | LABEL, KIT, PACKAGING | EA |

01/28/84

| PART NUMBER | REV | DESCRIPTION..... | UM | |
|--------------|-----------|--|--|----|
| 2360099-0019 | D | KIT,810,BASIC,FULL DEN/NOR,220V,NO CABLE | | |
| ITEM. | QUANTITY. | COMPONENT.. | DESCRIPTION..... | UM |
| 0001 | 00001.000 | 0994292-0001 | 810 PRINTER ASSY,BASIC 1225-1292-000 | EA |
| 0002 | 00001.000 | 2210558-0001 | CORD SET. POWER, WESTERN EUROPEAN SEE TI- DRAWING | EA |
| 0003 | 00001.000 | 2360026-0014 | 220V POWER INPUT 1225-0000-000 | EA |
| 0004 | 00001.000 | 0994395-0012 | CHAR SET,DAN-NOR FULL ASCII W/O VFC 1225-1295-000 | EA |
| 0006 | 00001.000 | 2226555-0001 | LABEL, KIT, PACKAGING | EA |

01/28/84

| PART NUMBER | REV | DESCRIPTION..... | UM | |
|--------------|-----------|---|--|----|
| 2360099-0020 | D | KIT,810,VFC,COMP.PR.,LIM.DEN/NOR,NO CABLE | | |
| ITEM. | QUANTITY. | COMPONENT.. | DESCRIPTION..... | UM |
| 0001 | 00001.000 | 0994293-0002 | 810 PRINTER ASSY,VFC,COMPRESSED PRINT 1225-2293-000 | EA |
| 0002 | 00001.000 | 2210558-0001 | CORD SET. POWER, WESTERN EUROPEAN SEE TI- DRAWING | EA |
| 0003 | 00001.000 | 2360026-0014 | 220V POWER INPUT 1225-0000-000 | EA |
| 0004 | 00001.000 | 0994395-0102 | CHAR SET,DAN-NOR LTD ASCII W/VFC 1225-1025-000 | EA |
| 0006 | 00001.000 | 2226555-0001 | LABEL, KIT, PACKAGING | EA |

List of Materials

01/28/84

| PART NUMBER | REV | DESCRIPTION..... | |
|--------------|-----------|---|---|
| 2360099-0021 | D | KIT, 810, VFC, COMP. PR, FULL DEN/NOR, NO CBL | |
| ITEM. | QUANTITY. | COMPONENT.. | DESCRIPTION..... UH |
| 0001 | 00001.000 | 0994293-0002 | 810 PRINTER ASSY, VFC, COMPRESSED PRINT 1225-2293-000 EA |
| 0002 | 00001.000 | 2210558-0001 | CORD SET. POWER, WESTERN EUROPEAN SEE TI- DRAWING EA |
| 0003 | 00001.000 | 2360026-0014 | 220V POWER INPUT 1225-0000-000 EA |
| 0004 | 00001.000 | 0994395-0112 | CHAR SET, DAN-NOR FULL ASCII W/VFC 1225-1125-000 EA |
| 0006 | 00001.000 | 2226555-0001 | LABEL, KIT, PACKAGING EA |

01/28/84

| PART NUMBER | REV | DESCRIPTION..... | |
|--------------|-----------|---|---|
| 2360099-0022 | D | KIT, 810, VFC, COMP. PR., EXP. CHAR., DEN/NOR | |
| ITEM. | QUANTITY. | COMPONENT.. | DESCRIPTION..... UH |
| 0001 | 00001.000 | 0994293-0002 | 810 PRINTER ASSY, VFC, COMPRESSED PRINT 1225-2293-000 EA |
| 0002 | 00001.000 | 2210558-0001 | CORD SET. POWER, WESTERN EUROPEAN SEE TI- DRAWING EA |
| 0003 | 00001.000 | 2360026-0014 | 220V POWER INPUT 1225-0000-000 EA |
| 0004 | 00001.000 | 0994395-0108 | CHAR SET, EXPANDED LTD ASCII W/VFC 1225-1085-000 EA |
| 0006 | 00001.000 | 2226555-0001 | LABEL, KIT, PACKAGING EA |

Section 10

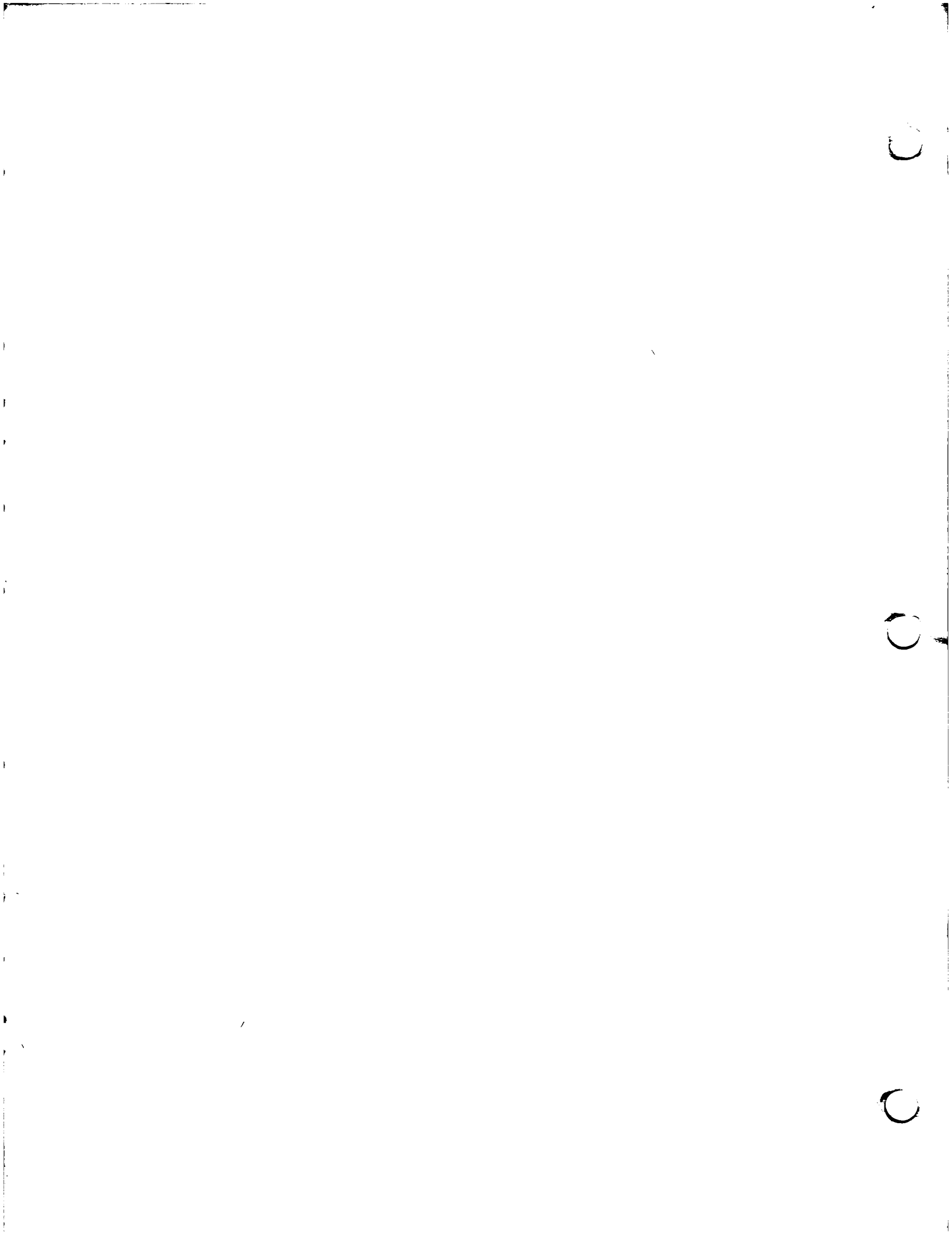
Schematic Diagrams

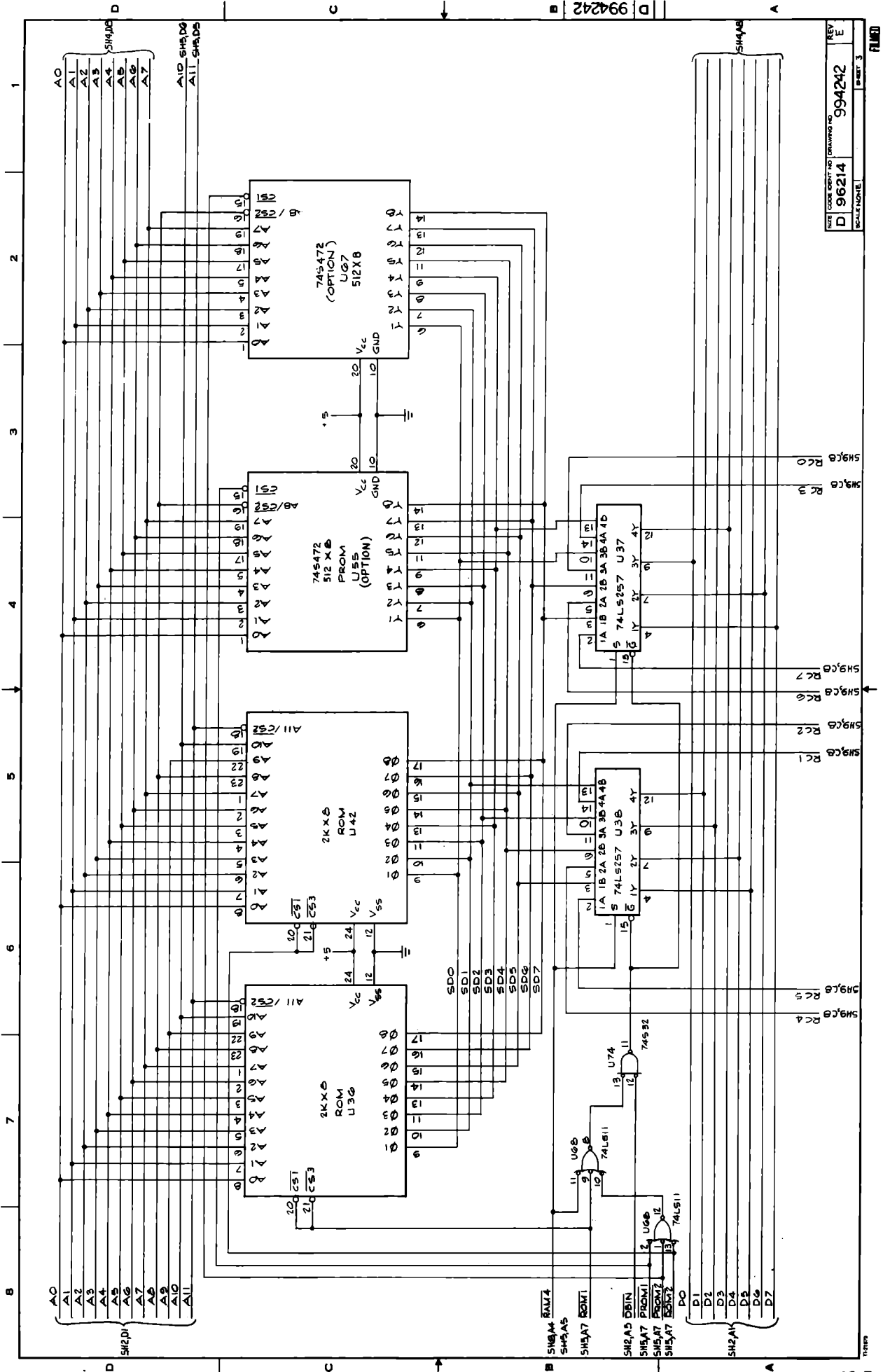
This section contains schematic and logic diagrams for the Model 810 Printer circuit assemblies.

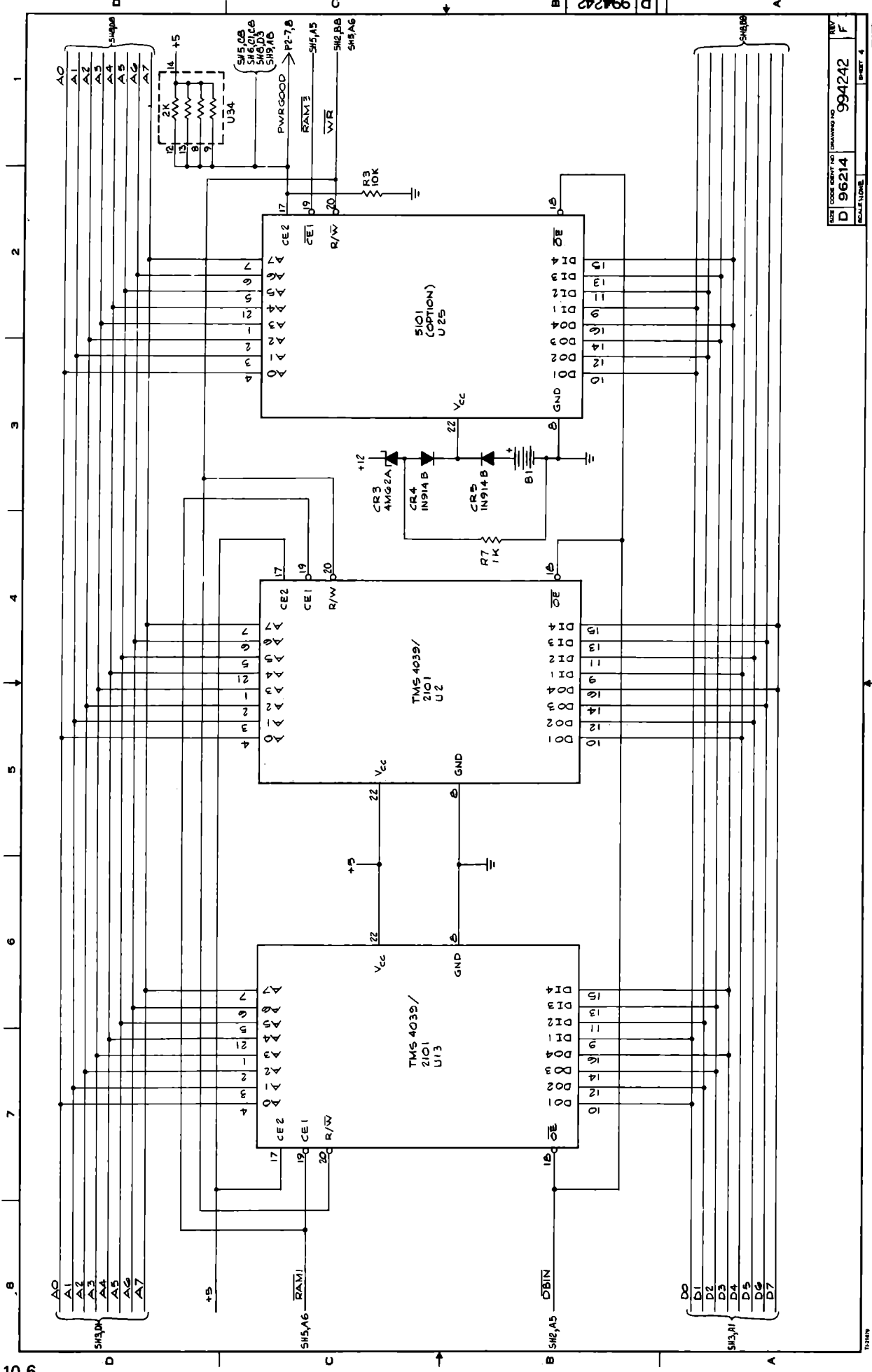
| Drawing No. / Revision | Title | Page No. |
|---------------------------|--|-------------|
| 994242G* | Diagram, Processor (Assy 994244-1) | 10-3 |
| 994247T | Diagram, Processor (Assy 994244-2) | 10-12 |
| 994300 | Diagram, Aux. Control Panel (Assy 994257) | 10-21 |
| 994303B | Diagram, Current Loop I/F (Assy 994305) | 10-22 |
| 994320C** | Diagram, Driver PWB (Assy 994322) | 10-24 |
| 994328D** | Diagram, Motherboard (Assy 994330) | 10-27 |
| 994384A* | Diagram, AC Power Module (Assy 994373) | 10-28 |
| 994392E** | Diagram, Power Supply PWB (Assy 994394) | 10-29 |
| 994462A | Diagram, AC Power Module (Assy 994461) | 10-33 |
| 994501H | Diagram, Line Buffer PWB (Assy 994503) | 10-34 |
| 994527H | Diagram, Driver PWB (Assy 994528) | 10-38 |
| 994530G | Diagram, Motherboard (Assy 994531) | 10-43 |
| 994533J | Diagram, Power Supply PWB (Assy 994534) | 10-44 |
| 994540 | Diagram, Encoder Circuit (Assy 994541) | 10-49 |
| 994559C | Diagram, Switchboard, Control Panel (Assy 994557) | 10-50 |
| 2230499D | Diagram, Current Loop I/F PWB (Assy 2230497-0001) Diagram, RS-422 I/F PWB (Assy 2230497-0002) Diagram, Current Loop I/F PWB Power Down NO/NC Assy (Assy 2230497-0003) | 10-53 |
| 2232577A | Diagram, Half-Sized LQ PWB (Assy 2232575) | 10-56 |
| 2232593B | Diagram, Encoder Circuit (Assy 2232589) | 10-61 |
| 2360097B | Diagram, Full-Sized LQ PWB (Assy 2360095) | 10-63 |

* Obsolete

** Denotes alternate version







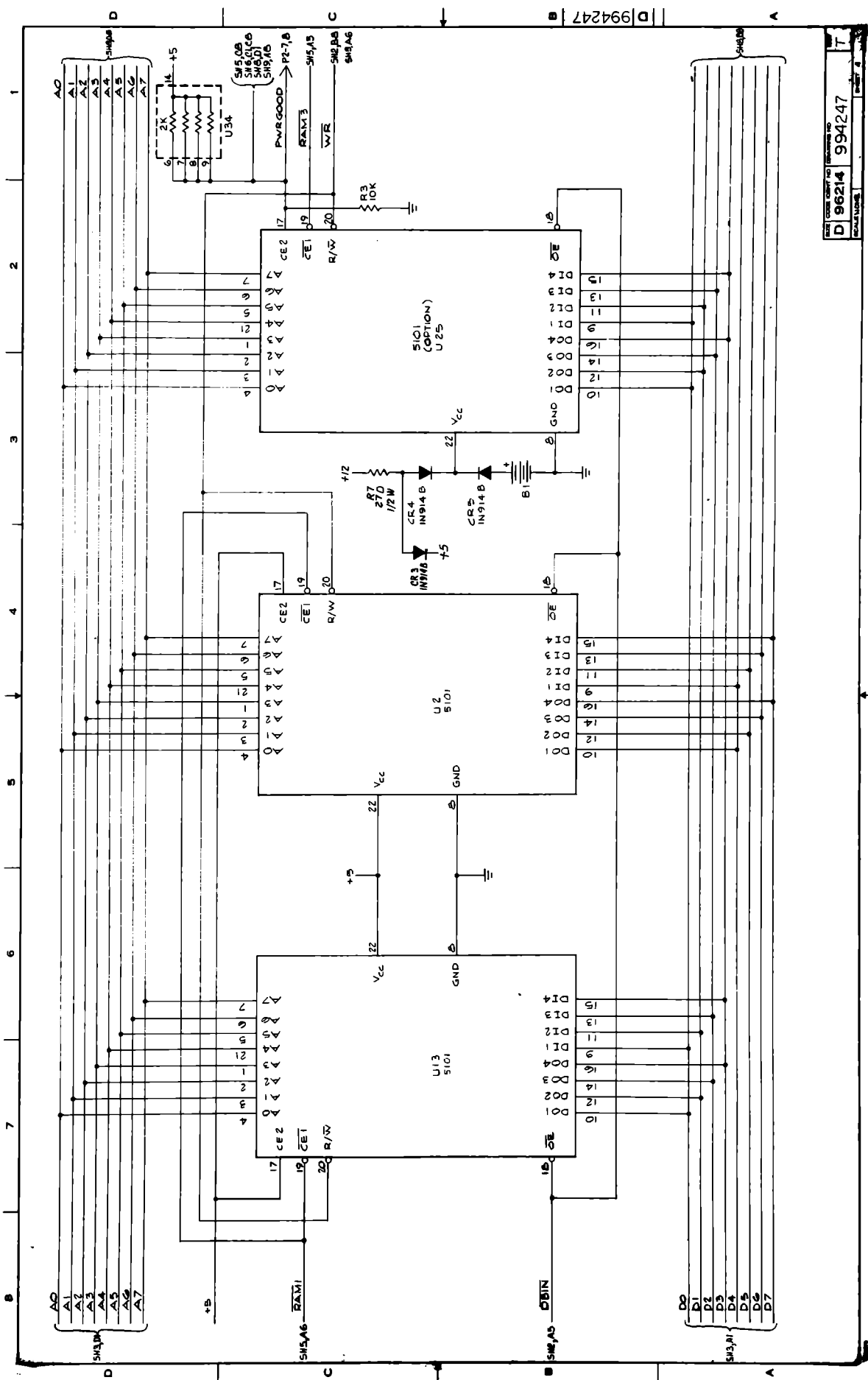
10-6

REV D 96214 994242 F

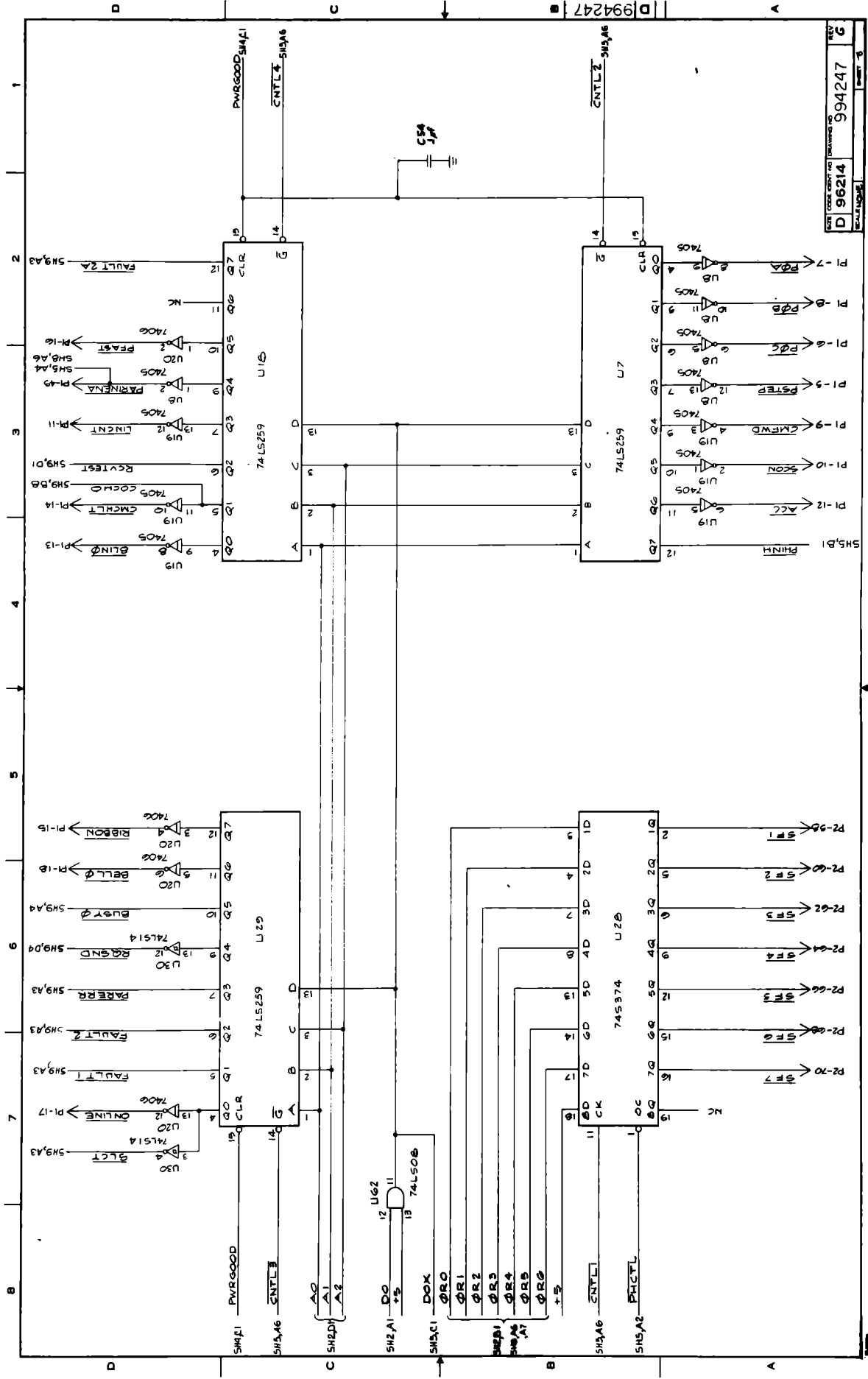
SCALE NONE

SHEET 4

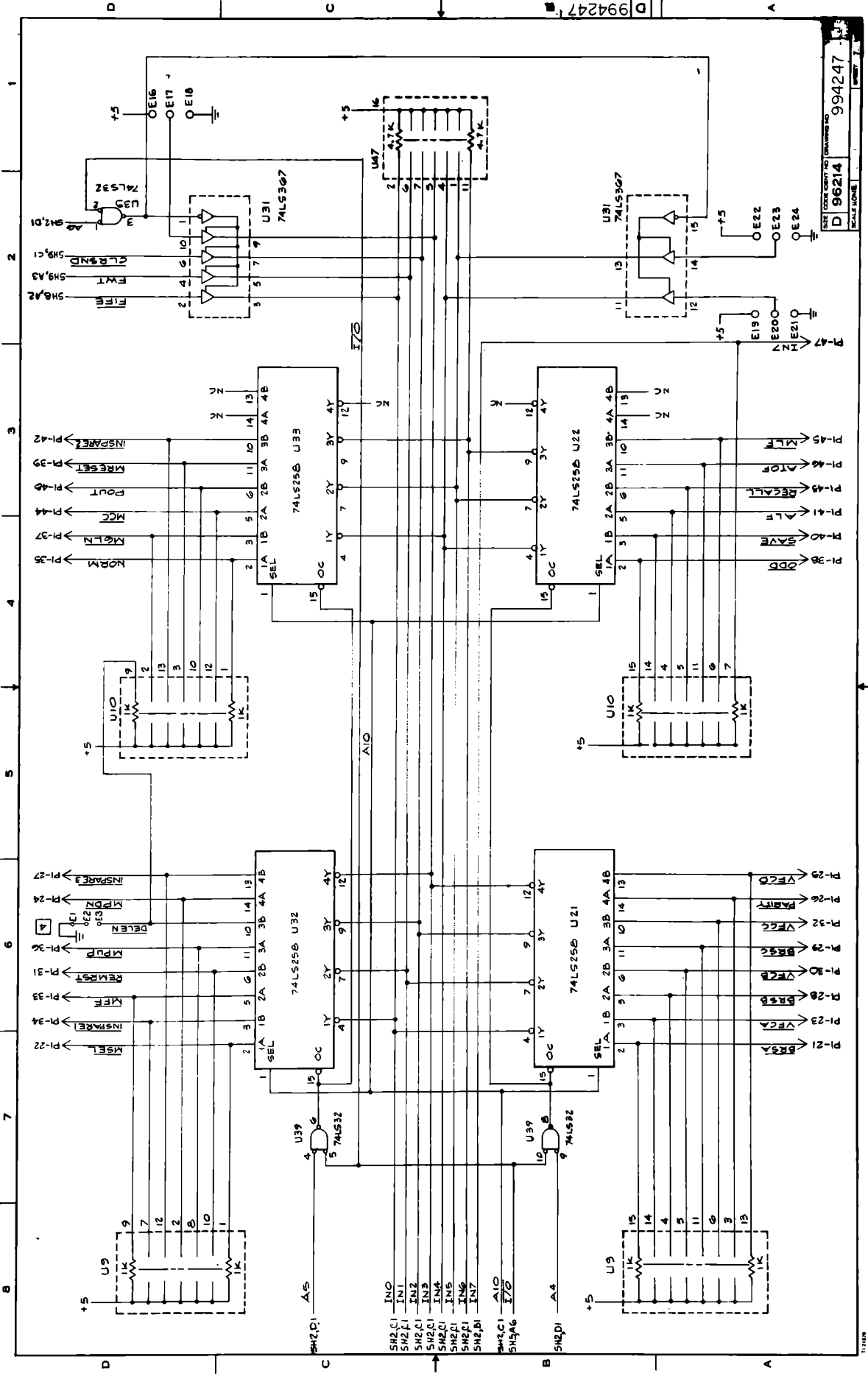
10789



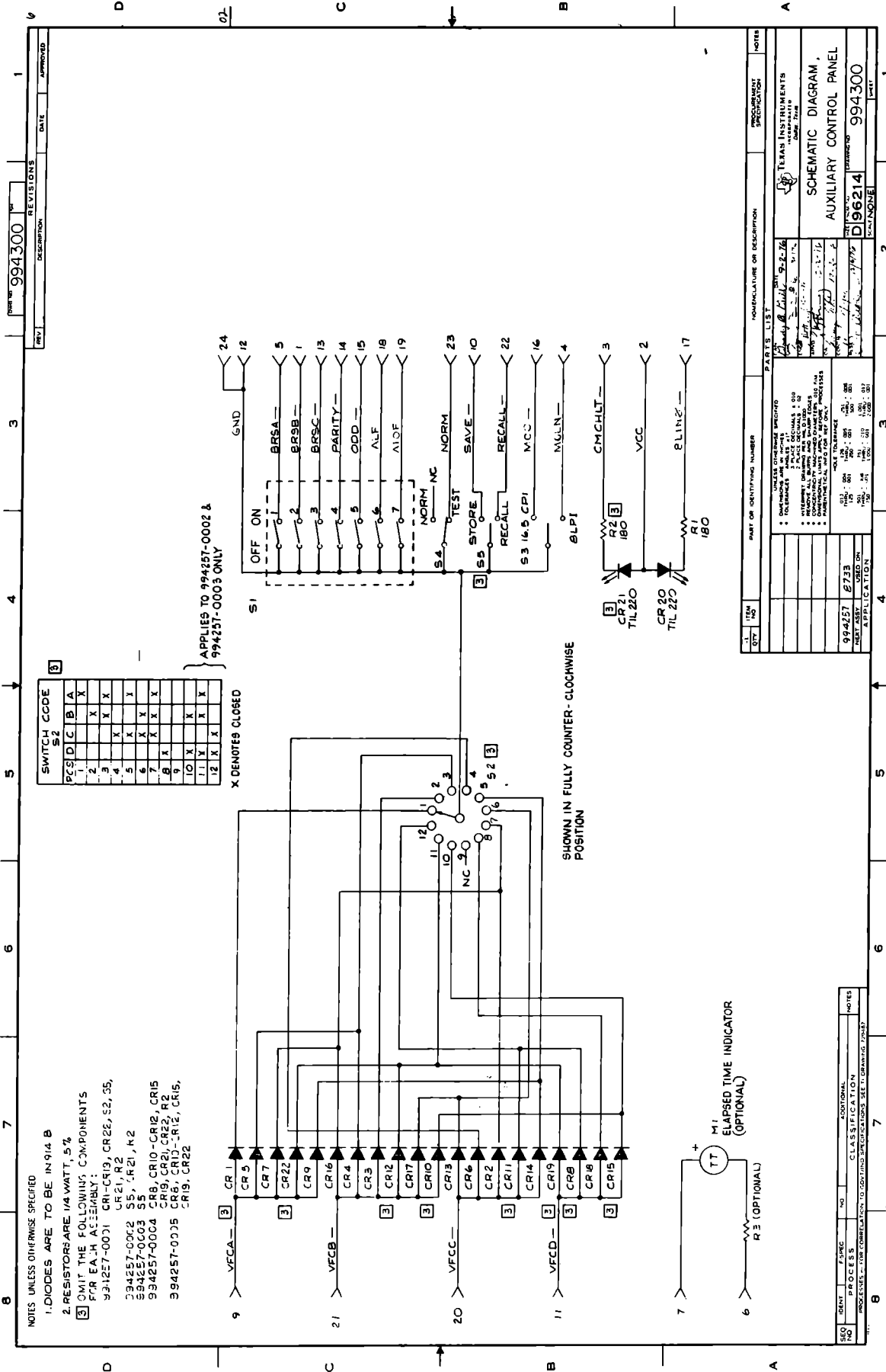
PART CODE COPY NO. 96214
 REVISED NO. 994247
 SERIAL NO. 7
 REV. 2



D 96214
 994247
 5



994247
 96214
 994247
 96214



| REV | DESCRIPTION | DATE | APPROVED |
|-----|-------------|------|----------|
| 1 | 994300 | | |

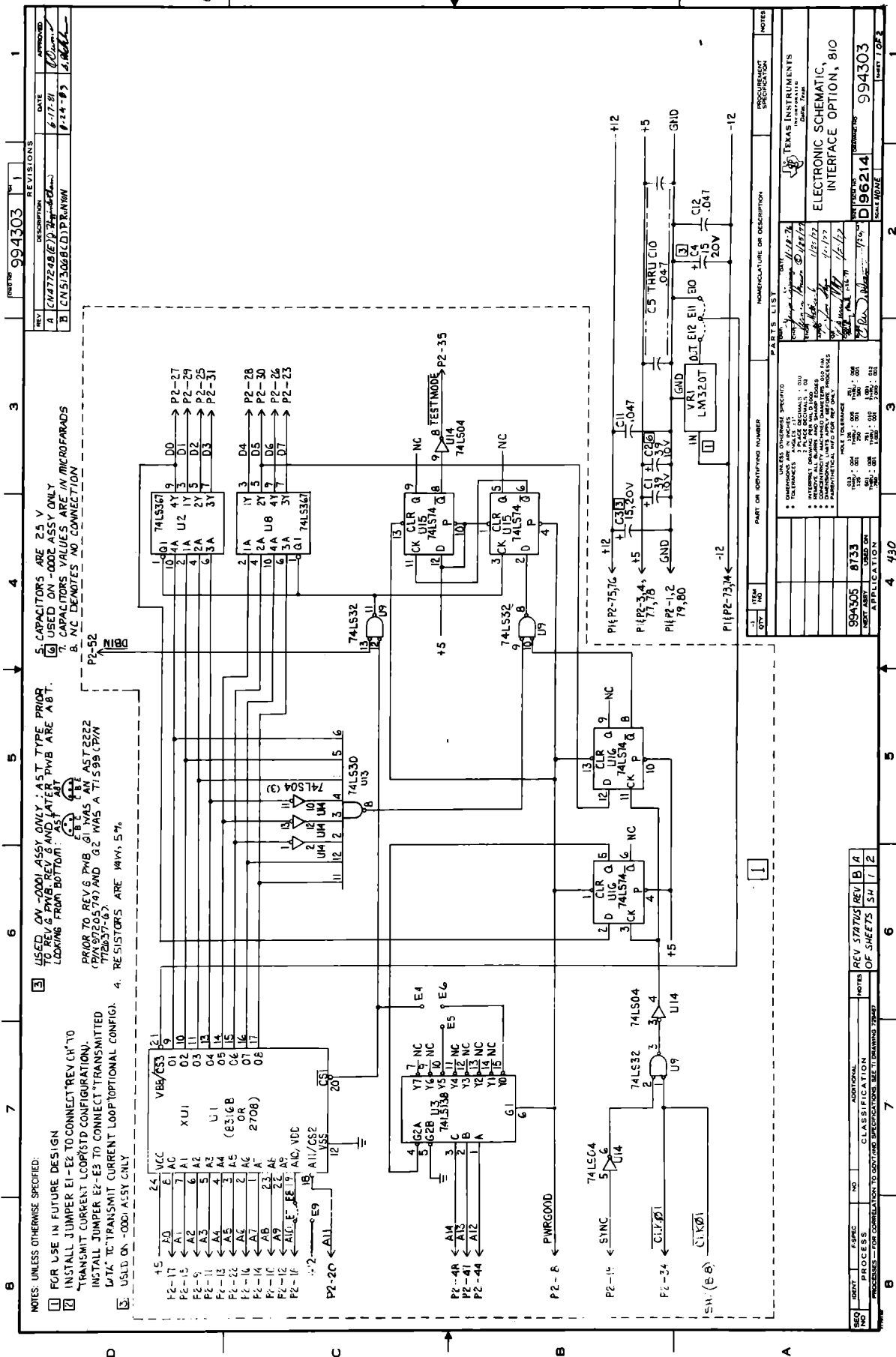
| REV | DESCRIPTION | DATE | APPROVED |
|-----|-------------|------|----------|
| 1 | 994300 | | |

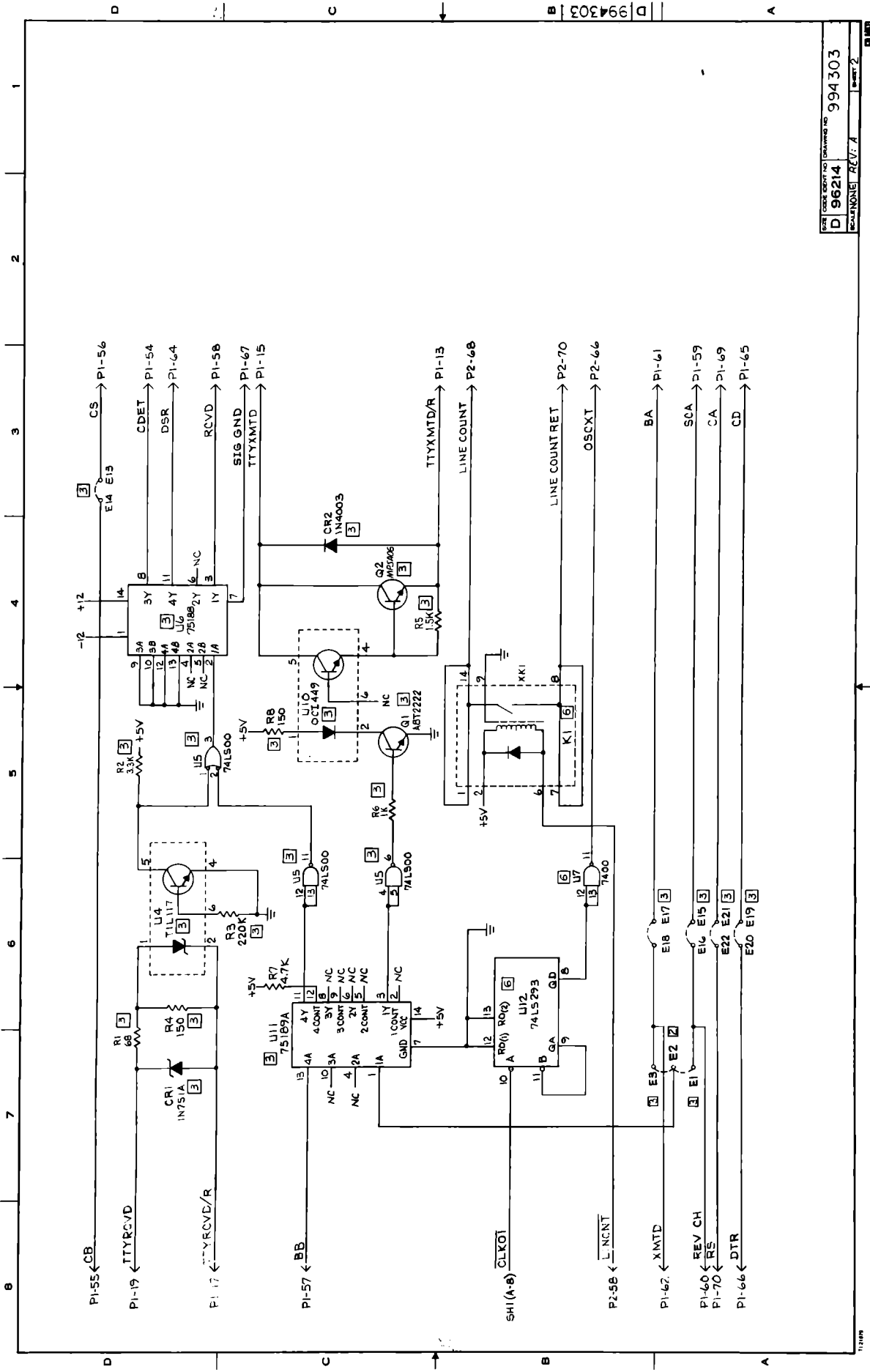
| REV | DESCRIPTION | DATE | APPROVED |
|-----|-------------|------|----------|
| 1 | 994300 | | |

| REV | DESCRIPTION | DATE | APPROVED |
|-----|-------------|------|----------|
| 1 | 994300 | | |

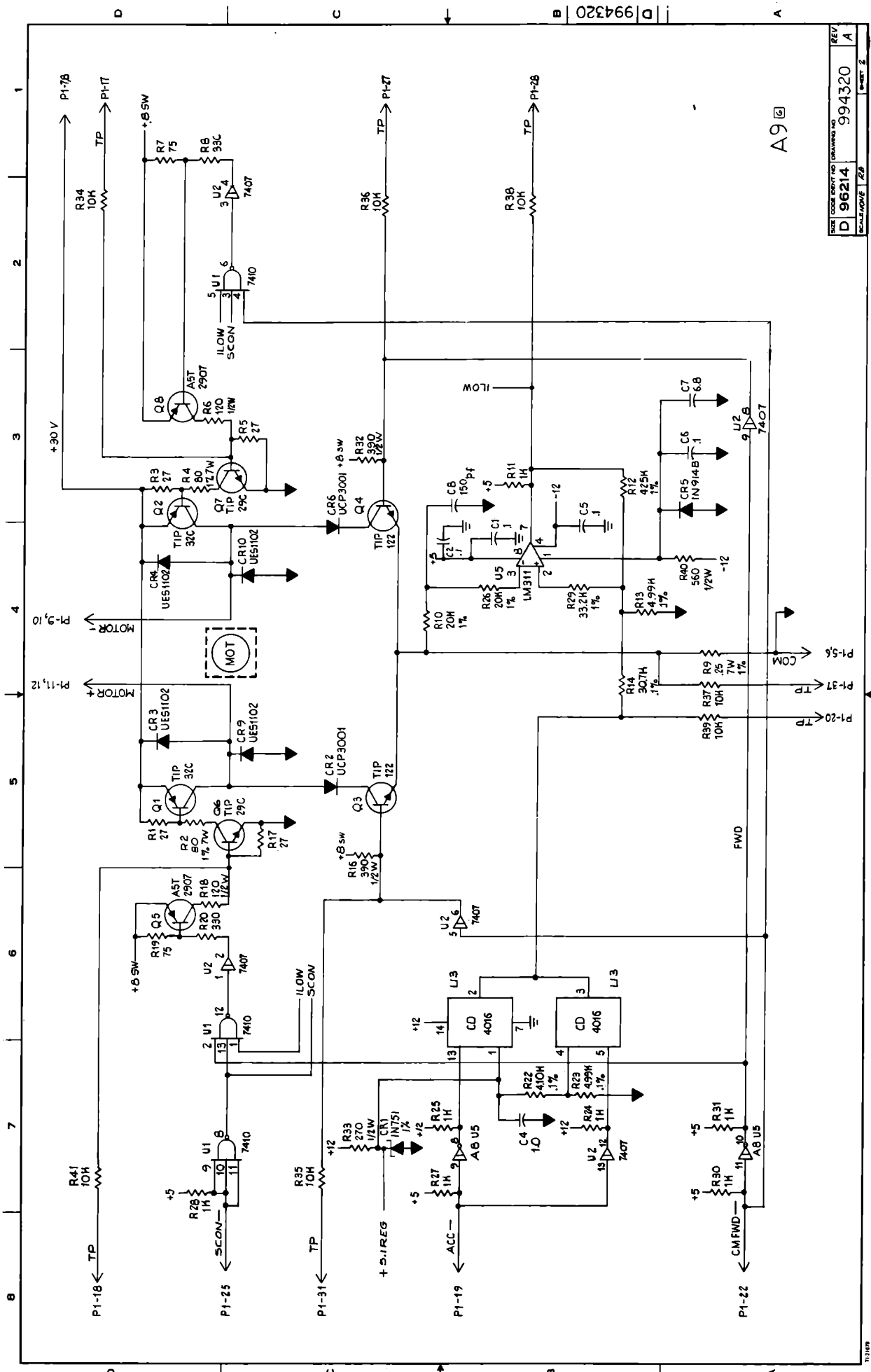
| REV | DESCRIPTION | DATE | APPROVED |
|-----|-------------|------|----------|
| 1 | 994300 | | |

| REV | DESCRIPTION | DATE | APPROVED |
|-----|-------------|------|----------|
| 1 | 994300 | | |

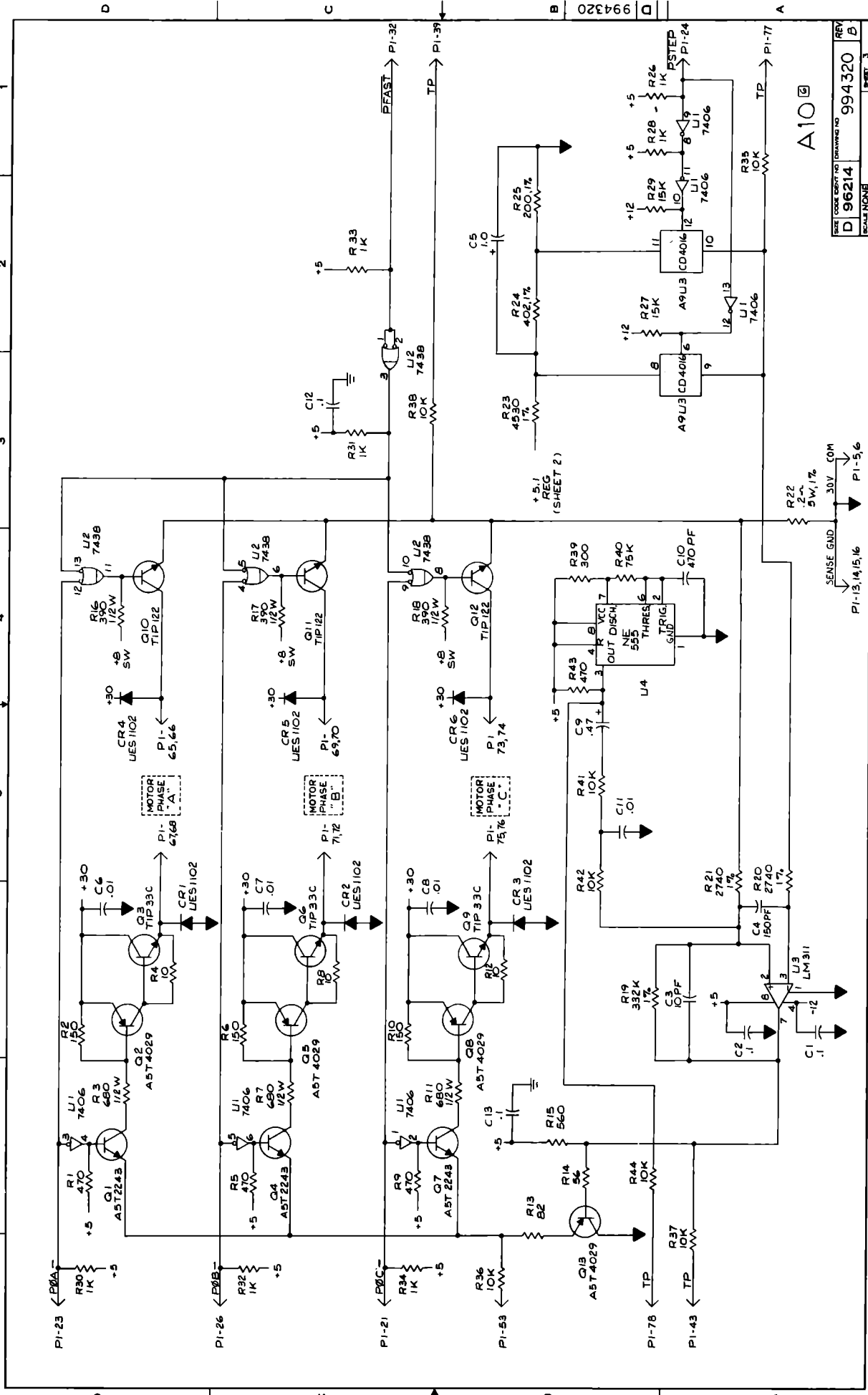




DATE: 06/06/87
 DRAWING NO: 994303
 SCALE: NONE
 REV: 1
 SHEET: 2

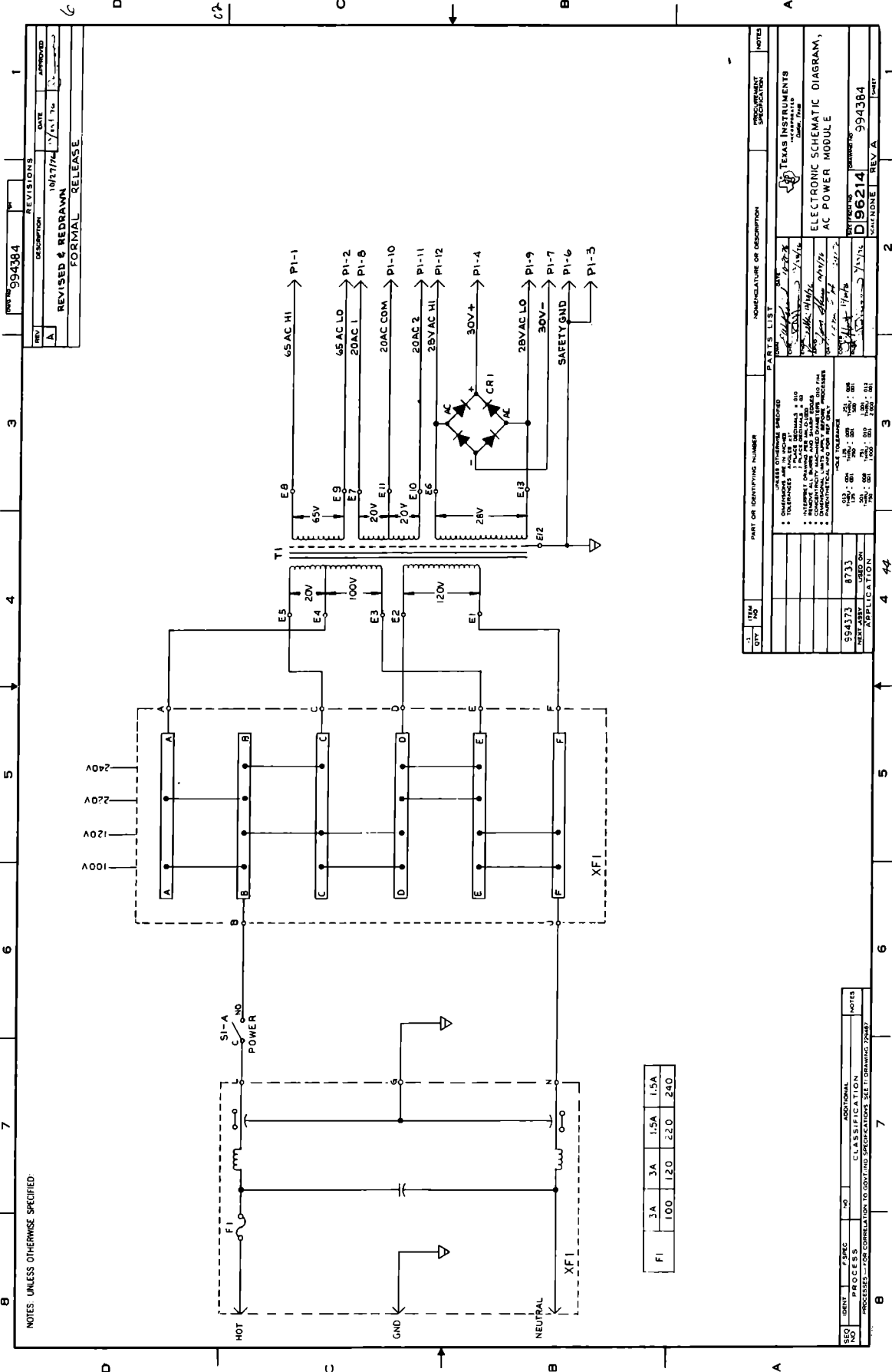


| | |
|------------|---------|
| REV | A |
| DRAWING NO | 994320 |
| CODE | D 96214 |
| SCALE | 1/2" |
| SHEET | 2 |



DATE: 09/21/84 DRAWING NO: 994320 REV: B
 DESIGNED BY: SCALE NONE SHEET: 3

A10



NOTES UNLESS OTHERWISE SPECIFIED:

| | | | |
|----------------|-------------------|----------|-------------|
| REV | DESCRIPTION | DATE | APPROVED |
| A | REVISED & REDRAWN | 11/27/74 | [Signature] |
| FORMAL RELEASE | | | |

| | | | | |
|---------|----------|------------------|----------|-------|
| ITEM NO | QUANTITY | DESCRIPTION | REVISION | NOTES |
| 594373 | 8733 | TRANSFORMER | | |
| 594374 | 1 | BRIDGE RECTIFIER | | |
| 594375 | 1 | DIODE | | |
| 594376 | 1 | DIODE | | |
| 594377 | 1 | DIODE | | |
| 594378 | 1 | DIODE | | |
| 594379 | 1 | DIODE | | |
| 594380 | 1 | DIODE | | |
| 594381 | 1 | DIODE | | |
| 594382 | 1 | DIODE | | |
| 594383 | 1 | DIODE | | |
| 594384 | 1 | DIODE | | |

| | | | | |
|---------|----------|------------------|----------|-------|
| ITEM NO | QUANTITY | DESCRIPTION | REVISION | NOTES |
| 594373 | 8733 | TRANSFORMER | | |
| 594374 | 1 | BRIDGE RECTIFIER | | |
| 594375 | 1 | DIODE | | |
| 594376 | 1 | DIODE | | |
| 594377 | 1 | DIODE | | |
| 594378 | 1 | DIODE | | |
| 594379 | 1 | DIODE | | |
| 594380 | 1 | DIODE | | |
| 594381 | 1 | DIODE | | |
| 594382 | 1 | DIODE | | |
| 594383 | 1 | DIODE | | |
| 594384 | 1 | DIODE | | |

| | | | | | |
|--------|-------|---------|----------------|------------|-------|
| SEC NO | IDENT | PROCESS | CLASSIFICATION | ADDITIONAL | NOTES |
| | | | | | |

PROCESSES - FOR CORRELATION, CONSULT SPECIFICATIONS. SEE DRAWING 20447.

TECHNICAL DATA CENTER

TEXAS INSTRUMENTS

AC POWER MODULE

994384

| REV | DESCRIPTION | DATE | APPROVED |
|-----|-------------|----------|----------|
| A | CN 423701 | 3/4/77 | |
| B | CN 423986 | 5-19-77 | |
| C | CN 429612 | 10/1/77 | |
| D | CN 430920 | 11-17-77 | |
| E | CN 439564 | 9/27/79 | |

| REV | DESCRIPTION | DATE | APPROVED |
|-----|-------------|----------|----------|
| A | CN 423701 | 3/4/77 | |
| B | CN 423986 | 5-19-77 | |
| C | CN 429612 | 10/1/77 | |
| D | CN 430920 | 11-17-77 | |
| E | CN 439564 | 9/27/79 | |

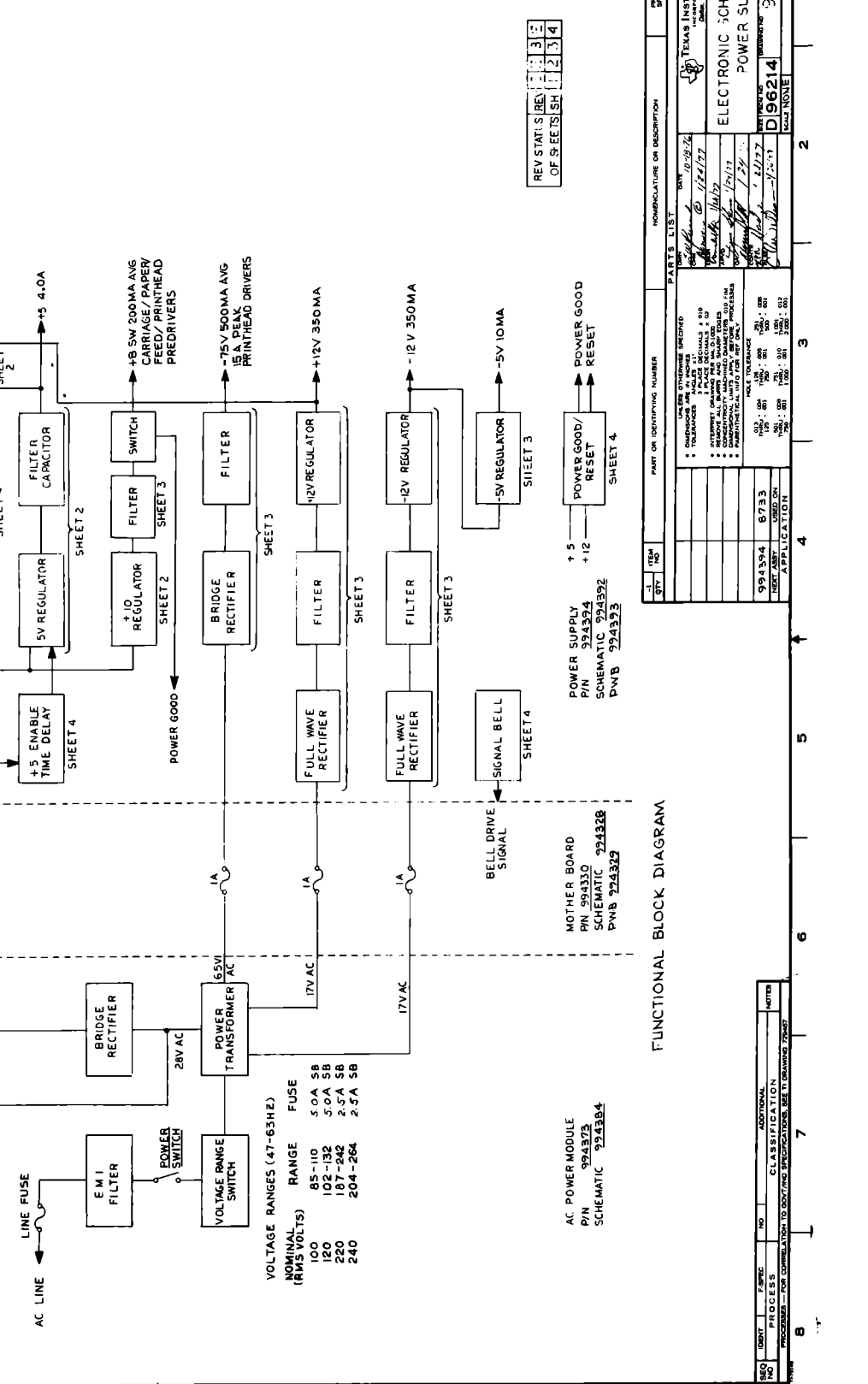
| REV | DESCRIPTION | DATE | APPROVED |
|-----|-------------|----------|----------|
| A | CN 423701 | 3/4/77 | |
| B | CN 423986 | 5-19-77 | |
| C | CN 429612 | 10/1/77 | |
| D | CN 430920 | 11-17-77 | |
| E | CN 439564 | 9/27/79 | |

| REV | DESCRIPTION | DATE | APPROVED |
|-----|-------------|----------|----------|
| A | CN 423701 | 3/4/77 | |
| B | CN 423986 | 5-19-77 | |
| C | CN 429612 | 10/1/77 | |
| D | CN 430920 | 11-17-77 | |
| E | CN 439564 | 9/27/79 | |

| REV | DESCRIPTION | DATE | APPROVED |
|-----|-------------|----------|----------|
| A | CN 423701 | 3/4/77 | |
| B | CN 423986 | 5-19-77 | |
| C | CN 429612 | 10/1/77 | |
| D | CN 430920 | 11-17-77 | |
| E | CN 439564 | 9/27/79 | |

NOTES: UNLESS OTHERWISE SPECIFIED:
 1. ALL DIMENSIONS ARE IN MILLIMETERS.
 2. ALL DIMENSIONS ARE IN MILLIMETERS.
 3. ALL DIMENSIONS ARE IN MILLIMETERS.
 4. ALL DIMENSIONS ARE IN MILLIMETERS.
 5. ALL DIMENSIONS ARE IN MILLIMETERS.
 6. ALL DIMENSIONS ARE IN MILLIMETERS.
 7. ALL DIMENSIONS ARE IN MILLIMETERS.
 8. ALL DIMENSIONS ARE IN MILLIMETERS.

VOLTAGE RANGES (47-63HZ)
 NOMINAL RANGE FUSE
 (RMS VOLTS)
 100 85-110 5.0A 5B
 120 102-132 5.0A 5B
 220 187-242 2.5A 5B
 240 204-264 2.5A 5B



| REV | STATS | REV | STATS |
|-----|-------|-----|-------|
| 1 | 1 | 1 | 1 |
| 2 | 2 | 2 | 2 |
| 3 | 3 | 3 | 3 |
| 4 | 4 | 4 | 4 |

| REV | STATS | REV | STATS |
|-----|-------|-----|-------|
| 1 | 1 | 1 | 1 |
| 2 | 2 | 2 | 2 |
| 3 | 3 | 3 | 3 |
| 4 | 4 | 4 | 4 |

| REV | STATS | REV | STATS |
|-----|-------|-----|-------|
| 1 | 1 | 1 | 1 |
| 2 | 2 | 2 | 2 |
| 3 | 3 | 3 | 3 |
| 4 | 4 | 4 | 4 |

| REV | STATS | REV | STATS |
|-----|-------|-----|-------|
| 1 | 1 | 1 | 1 |
| 2 | 2 | 2 | 2 |
| 3 | 3 | 3 | 3 |
| 4 | 4 | 4 | 4 |

| REV | STATS | REV | STATS |
|-----|-------|-----|-------|
| 1 | 1 | 1 | 1 |
| 2 | 2 | 2 | 2 |
| 3 | 3 | 3 | 3 |
| 4 | 4 | 4 | 4 |

| REV | STATS | REV | STATS |
|-----|-------|-----|-------|
| 1 | 1 | 1 | 1 |
| 2 | 2 | 2 | 2 |
| 3 | 3 | 3 | 3 |
| 4 | 4 | 4 | 4 |

| REV | STATS | REV | STATS |
|-----|-------|-----|-------|
| 1 | 1 | 1 | 1 |
| 2 | 2 | 2 | 2 |
| 3 | 3 | 3 | 3 |
| 4 | 4 | 4 | 4 |

| REV | STATS | REV | STATS |
|-----|-------|-----|-------|
| 1 | 1 | 1 | 1 |
| 2 | 2 | 2 | 2 |
| 3 | 3 | 3 | 3 |
| 4 | 4 | 4 | 4 |

| REV | STATS | REV | STATS |
|-----|-------|-----|-------|
| 1 | 1 | 1 | 1 |
| 2 | 2 | 2 | 2 |
| 3 | 3 | 3 | 3 |
| 4 | 4 | 4 | 4 |

| REV | STATS | REV | STATS |
|-----|-------|-----|-------|
| 1 | 1 | 1 | 1 |
| 2 | 2 | 2 | 2 |
| 3 | 3 | 3 | 3 |
| 4 | 4 | 4 | 4 |

AC POWER MODULE
 P/N 994373
 SCHEMATIC 994384

MOTHER BOARD
 P/N 994330
 SCHEMATIC 994328
 PWB 994329

POWER SUPPLY
 P/N 994394
 SCHEMATIC 994392
 PWB 994393

POWER GOOD
 +5
 +12
 POWER GOOD
 RESET
 SHEET 4

SIGNAL BELL
 SIGNAL
 SHEET 4

FILTER
 SHEET 3

FULL WAVE
 RECTIFIER
 SHEET 3

FULL WAVE
 RECTIFIER
 SHEET 3

BRIDGE
 RECTIFIER
 SHEET 3

REGULATOR
 +12V
 SHEET 2

REGULATOR
 +5V
 SHEET 2

VOLTAGE
 MONITOR
 SHEET 4

OVER VOLTAGE
 PROTECTION
 SHEET 2

FILTER
 CAPACITOR
 SHEET 2

FILTER
 CAPACITOR
 SHEET 2

FAN
 25V 20W
 SHEET 4

RIBBON DRIVE
 MOTOR 28V 8W
 SHEET 4

30V DC
 CARRIAGE MOTOR
 PAPER FEED
 1.7A AVG
 3.0A PEAK
 SHEET 4

+8 SW 200MA AVG
 CARRIAGE/ PAPER/
 FEED/ PRINTHEAD
 PREDRIVERS
 SHEET 2

+75V 500MA AVG
 15A PEAK
 PRINTHEAD DRIVERS
 SHEET 2

+12V 350MA
 SHEET 3

-12V 350MA
 SHEET 3

-5V 10MA
 SHEET 3

POWER GOOD
 +5
 +12
 POWER GOOD
 RESET
 SHEET 4

SIGNAL BELL
 SIGNAL
 SHEET 4

FILTER
 SHEET 3

FULL WAVE
 RECTIFIER
 SHEET 3

BRIDGE
 RECTIFIER
 SHEET 3

REGULATOR
 +12V
 SHEET 2

REGULATOR
 +5V
 SHEET 2

VOLTAGE
 MONITOR
 SHEET 4

OVER VOLTAGE
 PROTECTION
 SHEET 2

FILTER
 CAPACITOR
 SHEET 2

FILTER
 CAPACITOR
 SHEET 2

FAN
 25V 20W
 SHEET 4

RIBBON DRIVE
 MOTOR 28V 8W
 SHEET 4

30V DC
 CARRIAGE MOTOR
 PAPER FEED
 1.7A AVG
 3.0A PEAK
 SHEET 4

+8 SW 200MA AVG
 CARRIAGE/ PAPER/
 FEED/ PRINTHEAD
 PREDRIVERS
 SHEET 2

+75V 500MA AVG
 15A PEAK
 PRINTHEAD DRIVERS
 SHEET 2

+12V 350MA
 SHEET 3

-12V 350MA
 SHEET 3

-5V 10MA
 SHEET 3

POWER GOOD
 +5
 +12
 POWER GOOD
 RESET
 SHEET 4

SIGNAL BELL
 SIGNAL
 SHEET 4

FILTER
 SHEET 3

FULL WAVE
 RECTIFIER
 SHEET 3

BRIDGE
 RECTIFIER
 SHEET 3

REGULATOR
 +12V
 SHEET 2

REGULATOR
 +5V
 SHEET 2

VOLTAGE
 MONITOR
 SHEET 4

OVER VOLTAGE
 PROTECTION
 SHEET 2

FILTER
 CAPACITOR
 SHEET 2

FILTER
 CAPACITOR
 SHEET 2

FAN
 25V 20W
 SHEET 4

RIBBON DRIVE
 MOTOR 28V 8W
 SHEET 4

30V DC
 CARRIAGE MOTOR
 PAPER FEED
 1.7A AVG
 3.0A PEAK
 SHEET 4

+8 SW 200MA AVG
 CARRIAGE/ PAPER/
 FEED/ PRINTHEAD
 PREDRIVERS
 SHEET 2

+75V 500MA AVG
 15A PEAK
 PRINTHEAD DRIVERS
 SHEET 2

+12V 350MA
 SHEET 3

-12V 350MA
 SHEET 3

-5V 10MA
 SHEET 3

POWER GOOD
 +5
 +12
 POWER GOOD
 RESET
 SHEET 4

SIGNAL BELL
 SIGNAL
 SHEET 4

FILTER
 SHEET 3

FULL WAVE
 RECTIFIER
 SHEET 3

BRIDGE
 RECTIFIER
 SHEET 3

REGULATOR
 +12V
 SHEET 2

REGULATOR
 +5V
 SHEET 2

VOLTAGE
 MONITOR
 SHEET 4

OVER VOLTAGE
 PROTECTION
 SHEET 2

FILTER
 CAPACITOR
 SHEET 2

FILTER
 CAPACITOR
 SHEET 2

FAN
 25V 20W
 SHEET 4

RIBBON DRIVE
 MOTOR 28V 8W
 SHEET 4

30V DC
 CARRIAGE MOTOR
 PAPER FEED
 1.7A AVG
 3.0A PEAK
 SHEET 4

+8 SW 200MA AVG
 CARRIAGE/ PAPER/
 FEED/ PRINTHEAD
 PREDRIVERS
 SHEET 2

+75V 500MA AVG
 15A PEAK
 PRINTHEAD DRIVERS
 SHEET 2

+12V 350MA
 SHEET 3

-12V 350MA
 SHEET 3

-5V 10MA
 SHEET 3

POWER GOOD
 +5
 +12
 POWER GOOD
 RESET
 SHEET 4

SIGNAL BELL
 SIGNAL
 SHEET 4

FILTER
 SHEET 3

FULL WAVE
 RECTIFIER
 SHEET 3

BRIDGE
 RECTIFIER
 SHEET 3

REGULATOR
 +12V
 SHEET 2

REGULATOR
 +5V
 SHEET 2

VOLTAGE
 MONITOR
 SHEET 4

OVER VOLTAGE
 PROTECTION
 SHEET 2

FILTER
 CAPACITOR
 SHEET 2

FILTER
 CAPACITOR
 SHEET 2

FAN
 25V 20W
 SHEET 4

RIBBON DRIVE
 MOTOR 28V 8W
 SHEET 4

30V DC
 CARRIAGE MOTOR
 PAPER FEED
 1.7A AVG
 3.0A PEAK
 SHEET 4

+8 SW 200MA AVG
 CARRIAGE/ PAPER/
 FEED/ PRINTHEAD
 PREDRIVERS
 SHEET 2

+75V 500MA AVG
 15A PEAK
 PRINTHEAD DRIVERS
 SHEET 2

+12V 350MA
 SHEET 3

-12V 350MA
 SHEET 3

-5V 10MA
 SHEET 3

POWER GOOD
 +5
 +12
 POWER GOOD
 RESET
 SHEET 4

SIGNAL BELL
 SIGNAL
 SHEET 4

FILTER
 SHEET 3

FULL WAVE
 RECTIFIER
 SHEET 3

BRIDGE
 RECTIFIER
 SHEET 3

REGULATOR
 +12V
 SHEET 2

REGULATOR
 +5V
 SHEET 2

VOLTAGE
 MONITOR
 SHEET 4

OVER VOLTAGE
 PROTECTION
 SHEET 2

FILTER
 CAPACITOR
 SHEET 2

FILTER
 CAPACITOR
 SHEET 2

FAN
 25V 20W
 SHEET 4

RIBBON DRIVE
 MOTOR 28V 8W
 SHEET 4

30V DC
 CARRIAGE MOTOR
 PAPER FEED
 1.7A AVG
 3.0A PEAK
 SHEET 4

+8 SW 200MA AVG
 CARRIAGE/ PAPER/
 FEED/ PRINTHEAD
 PREDRIVERS
 SHEET 2

+75V 500MA AVG
 15A PEAK
 PRINTHEAD DRIVERS
 SHEET 2

+12V 350MA
 SHEET 3

-12V 350MA
 SHEET 3

-5V 10MA
 SHEET 3

POWER GOOD
 +5
 +12
 POWER GOOD
 RESET
 SHEET 4

SIGNAL BELL
 SIGNAL
 SHEET 4

FILTER
 SHEET 3

FULL WAVE
 RECTIFIER
 SHEET 3

BRIDGE
 RECTIFIER
 SHEET 3

REGULATOR
 +12V
 SHEET 2

REGULATOR
 +5V
 SHEET 2

VOLTAGE
 MONITOR
 SHEET 4

OVER VOLTAGE
 PROTECTION
 SHEET 2

FILTER
 CAPACITOR
 SHEET 2

FILTER
 CAPACITOR
 SHEET 2

FAN
 25V 20W
 SHEET 4

RIBBON DRIVE
 MOTOR 28V 8W
 SHEET 4

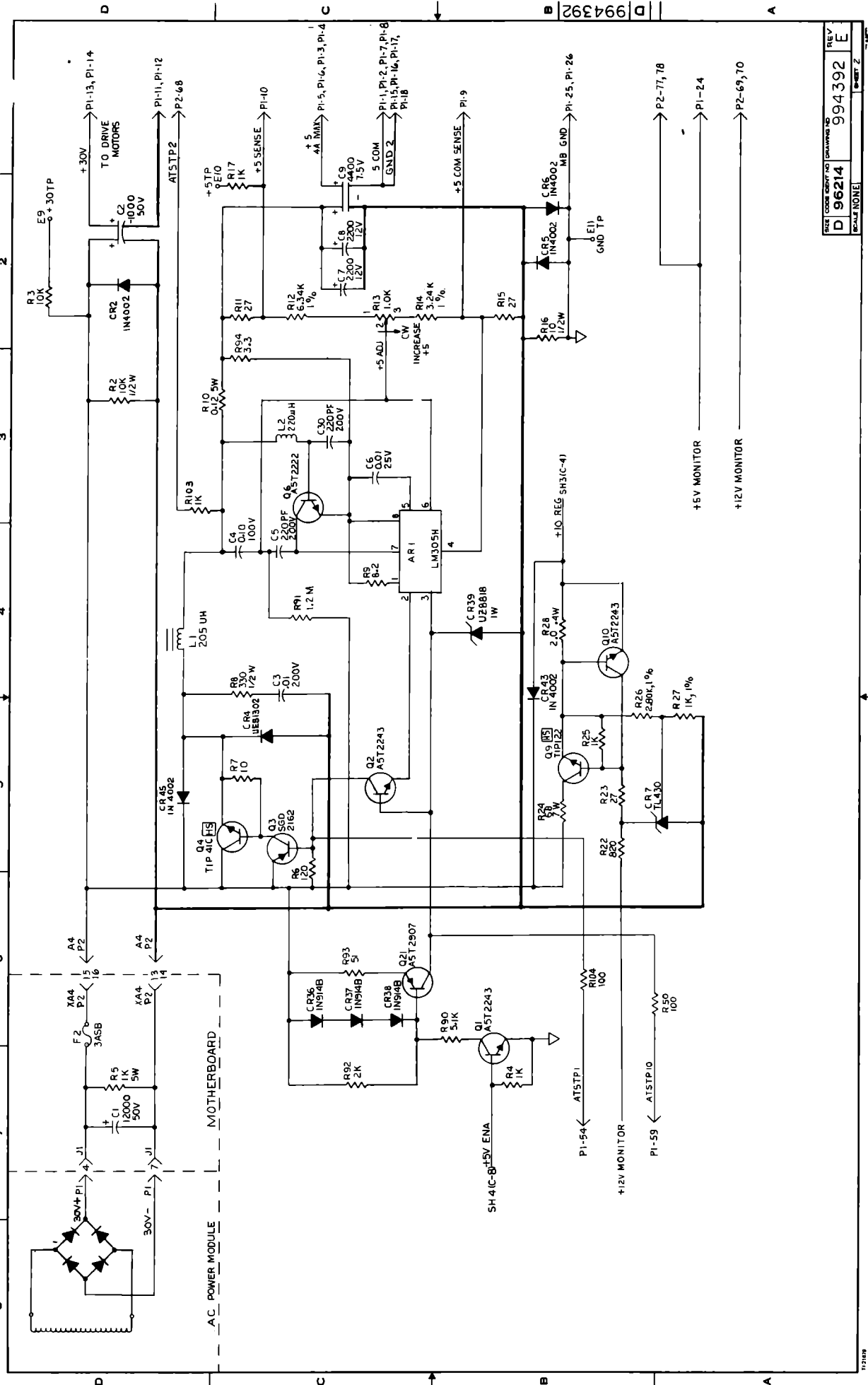
30V DC
 CARRIAGE MOTOR
 PAPER FEED
 1.7A AVG
 3.0A PEAK
 SHEET 4

+8 SW 200MA AVG
 CARRIAGE/ PAPER/
 FEED/ PRINTHEAD
 PREDRIVERS
 SHEET 2

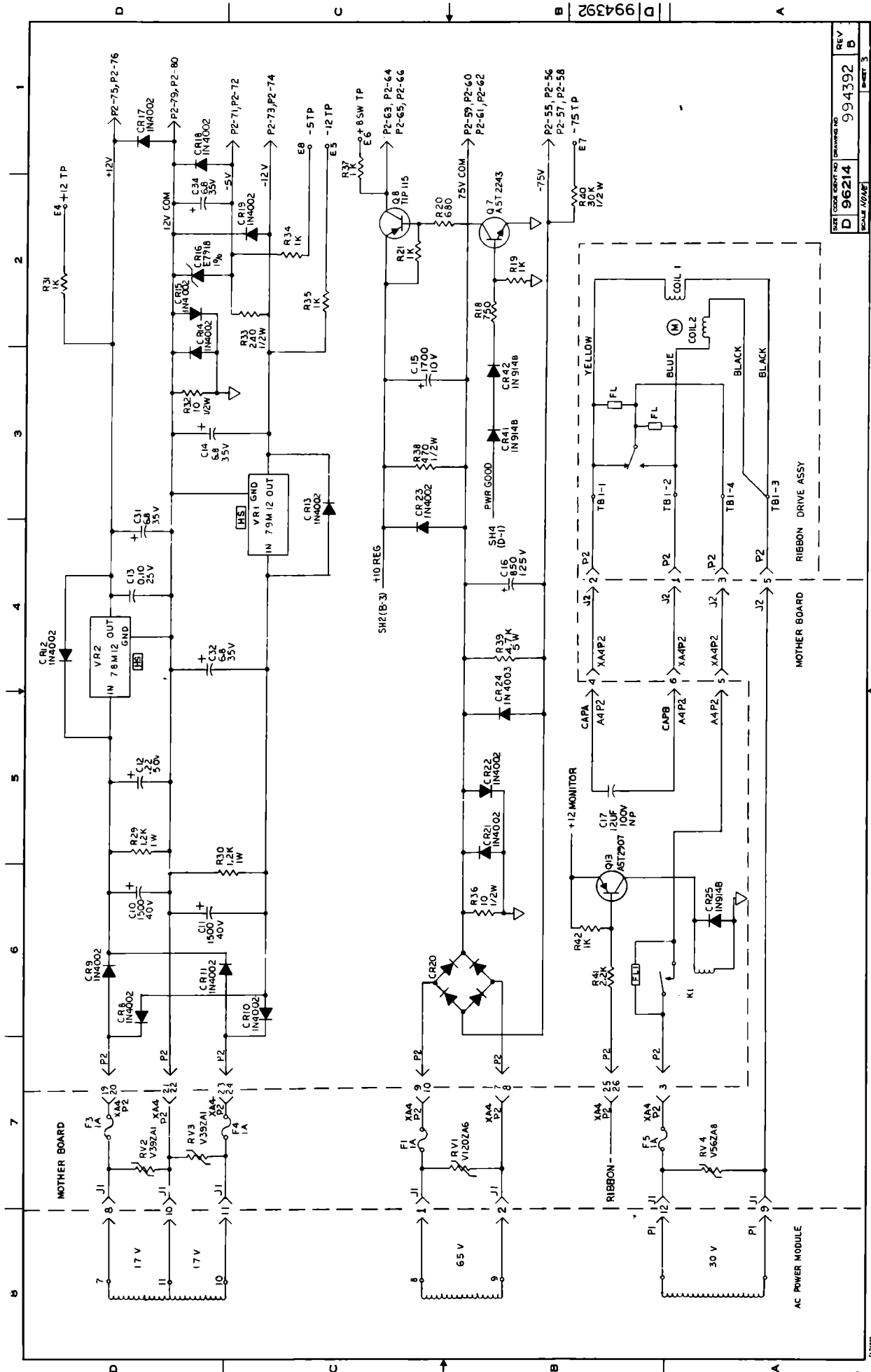
+75V 500MA AVG
 15A PEAK
 PRINTHEAD DRIVERS
 SHEET 2

+12V 350MA
 SHEET 3

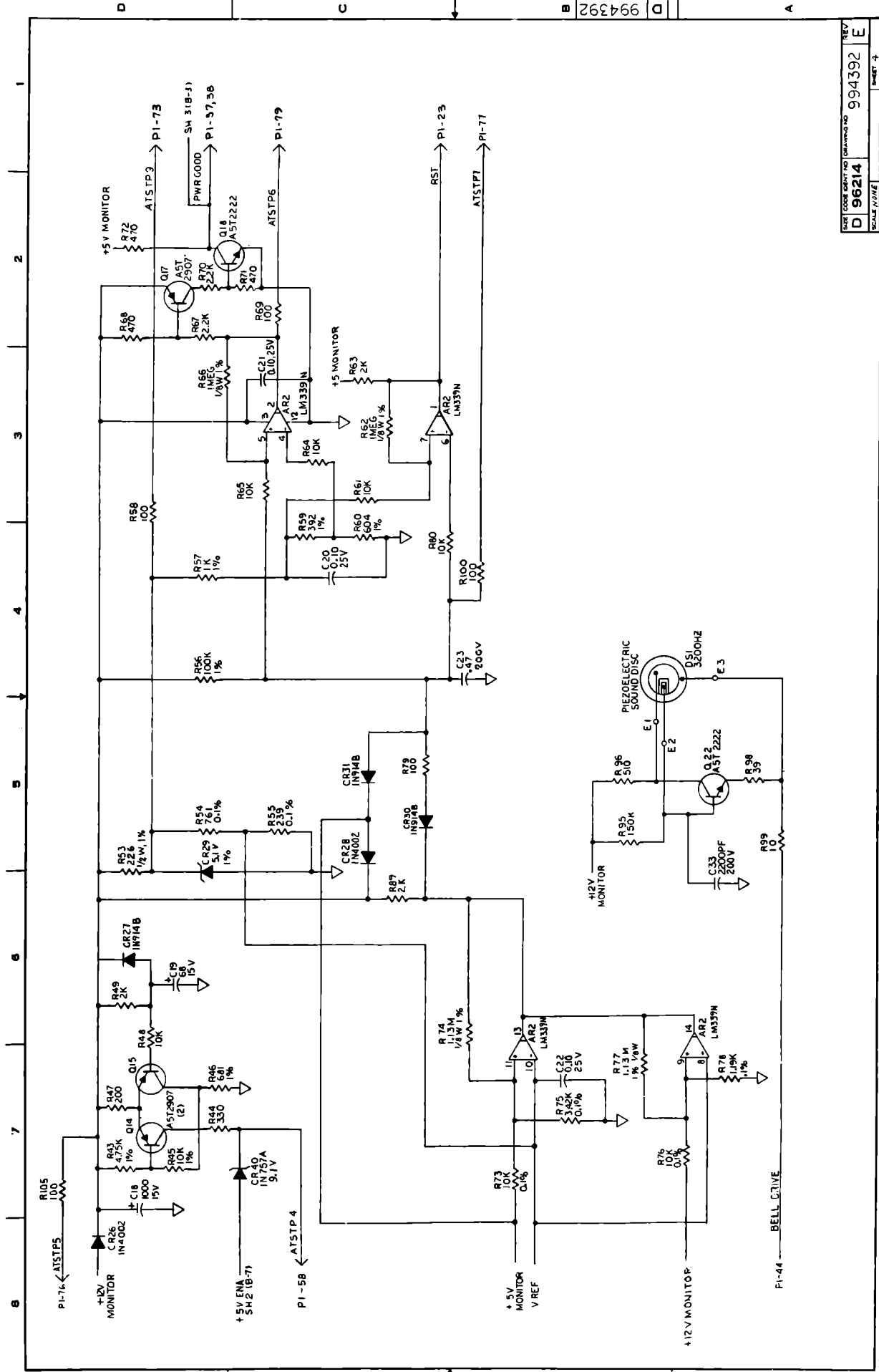
-12V 350MA
 SHEET 3



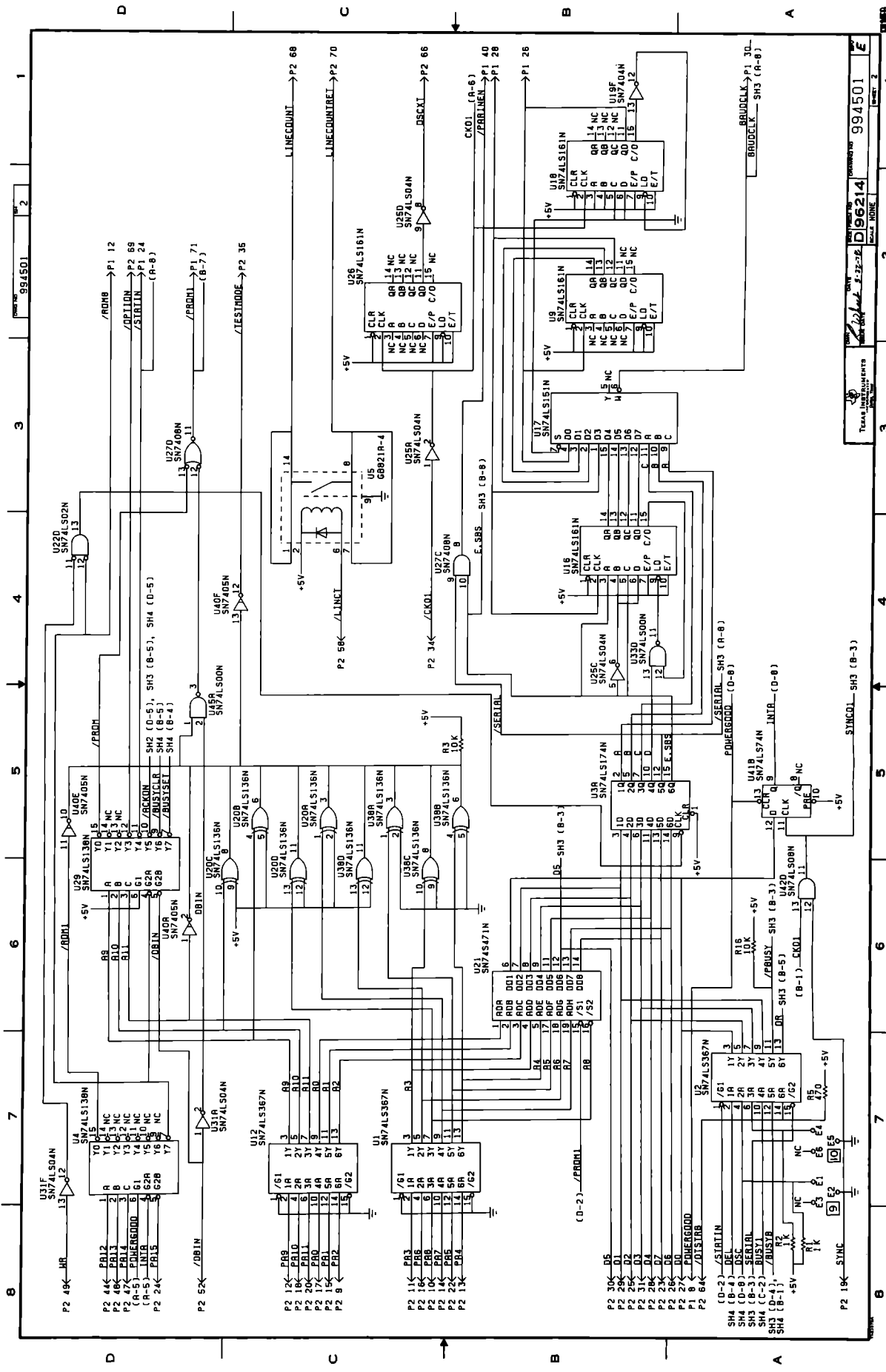
| | |
|------------|--------|
| REV | E |
| DRAWING NO | 994392 |
| CODE | D |
| DATE | NOV 81 |
| DESIGNER | NOV 81 |



| | | | |
|--------------|-------|-----------|-------------|
| DATE | CODE | ORIG. NO. | DRAWING NO. |
| D | 96214 | | 994392 |
| REV | B | | |
| SHEET 3 OF 3 | | | |



| | |
|-------|--------|
| REV | 994392 |
| SCALE | 1:1 |
| NO | 994392 |
| DATE | 10-32 |
| REV | 994392 |
| NO | 994392 |
| DATE | 10-32 |



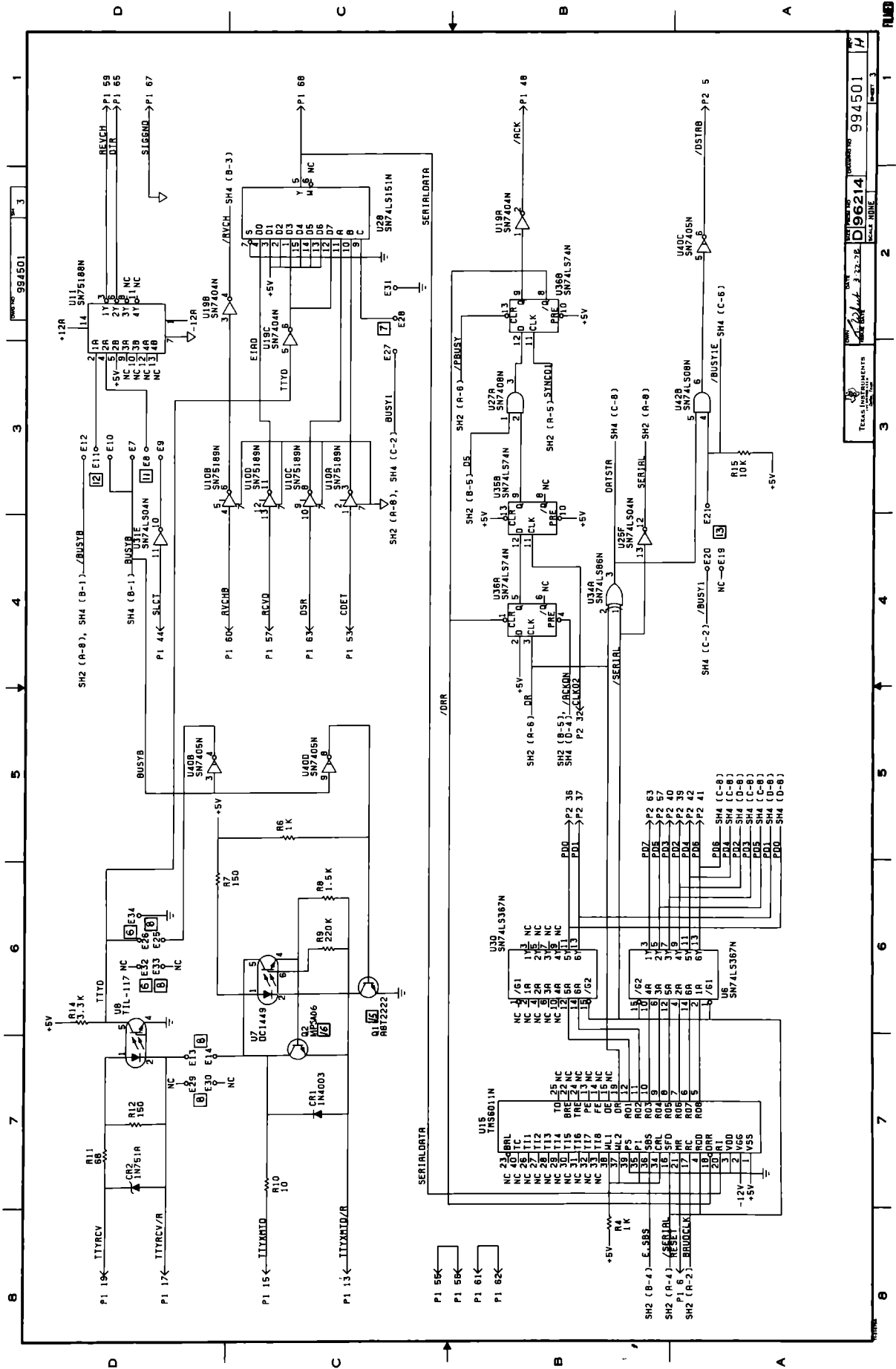
994501

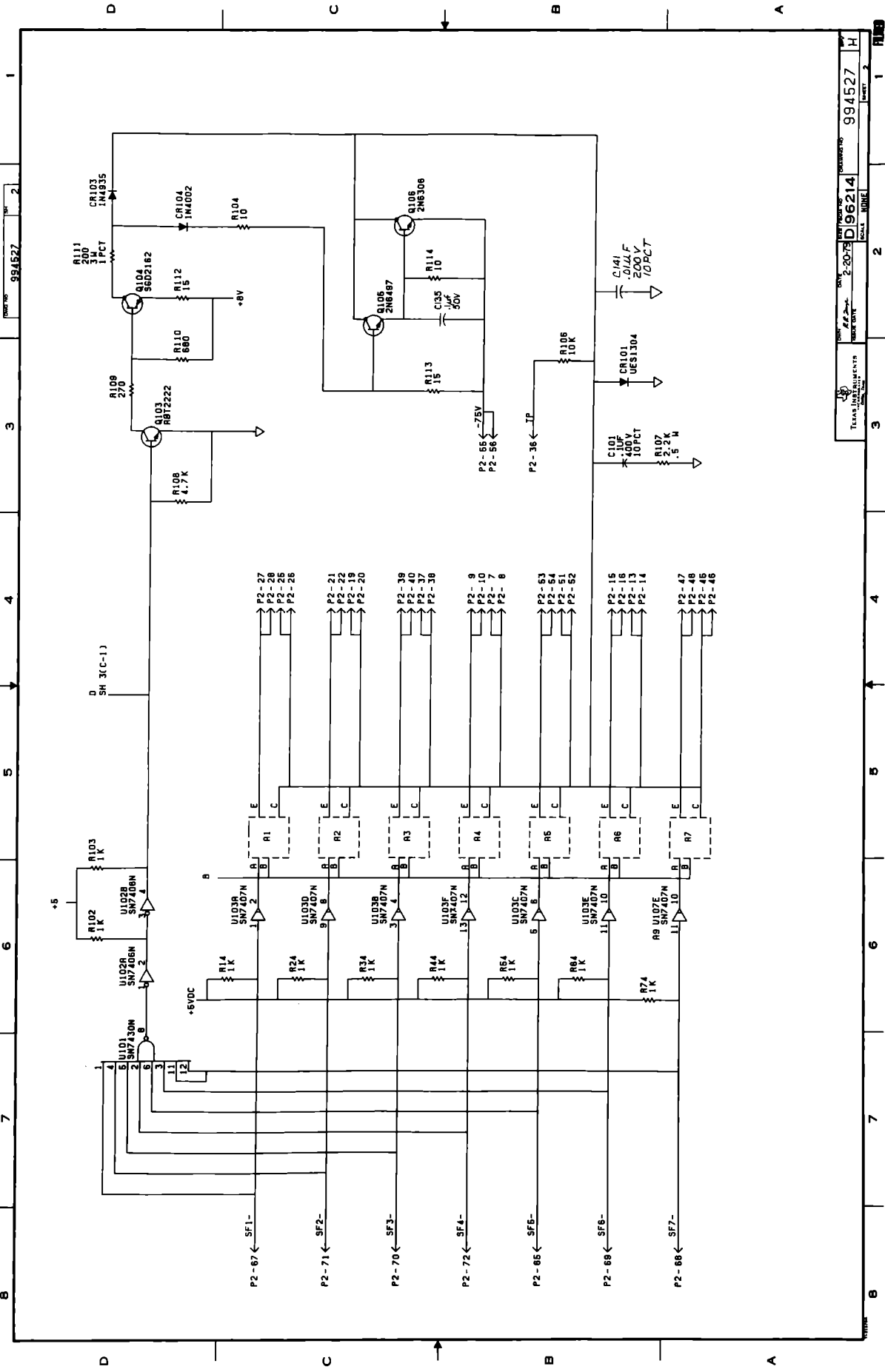
DRAWING NO. **D96214** PROJECT NO. **994501**

DATE: **11/11/72** SHEET: **2**

DESIGNED BY: **Richard S. Z...** CHECKED BY: **...**

TERRA LABORATORIES





994527

2

3

4

5

6

7

8

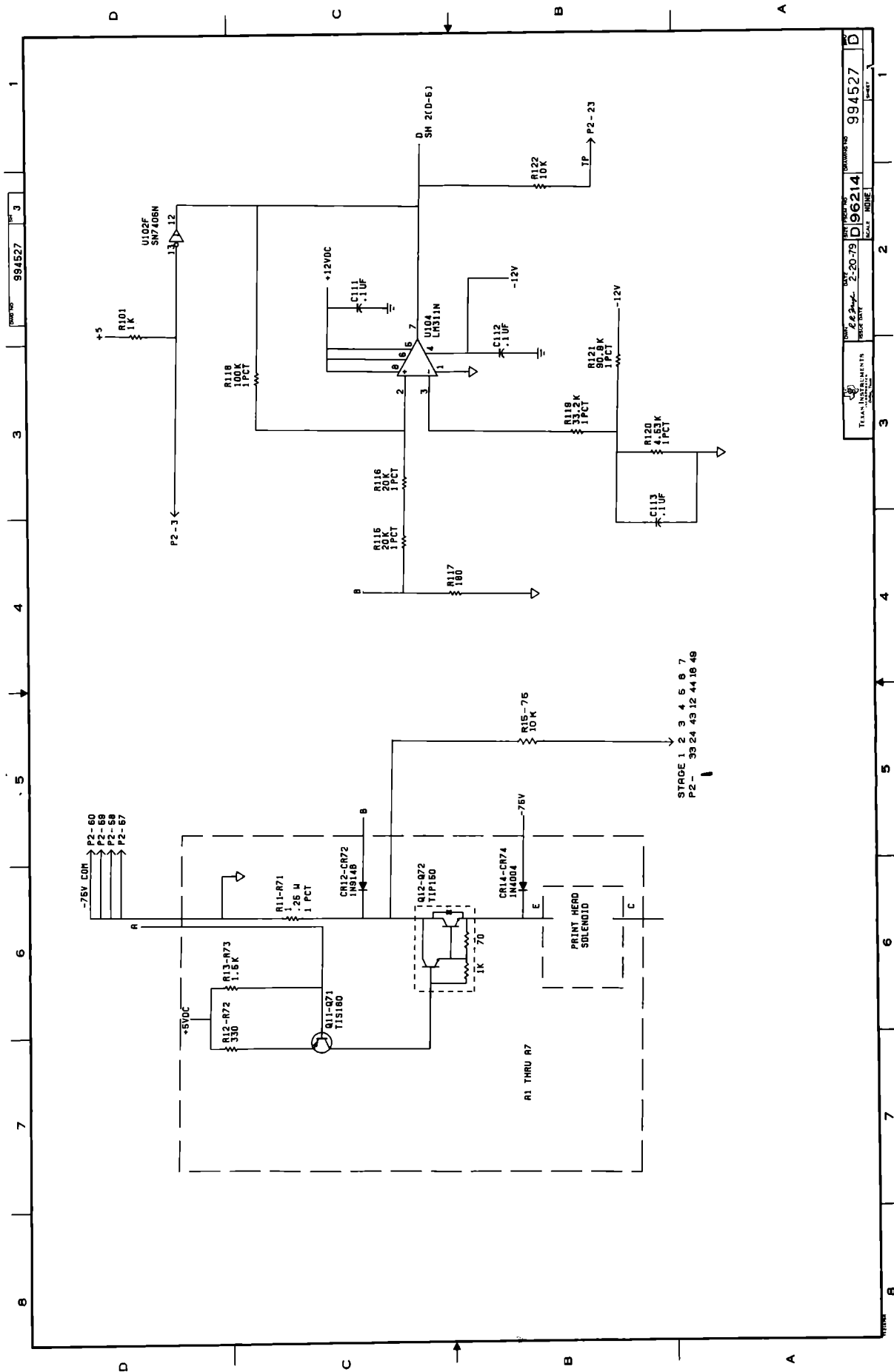
9

10

11

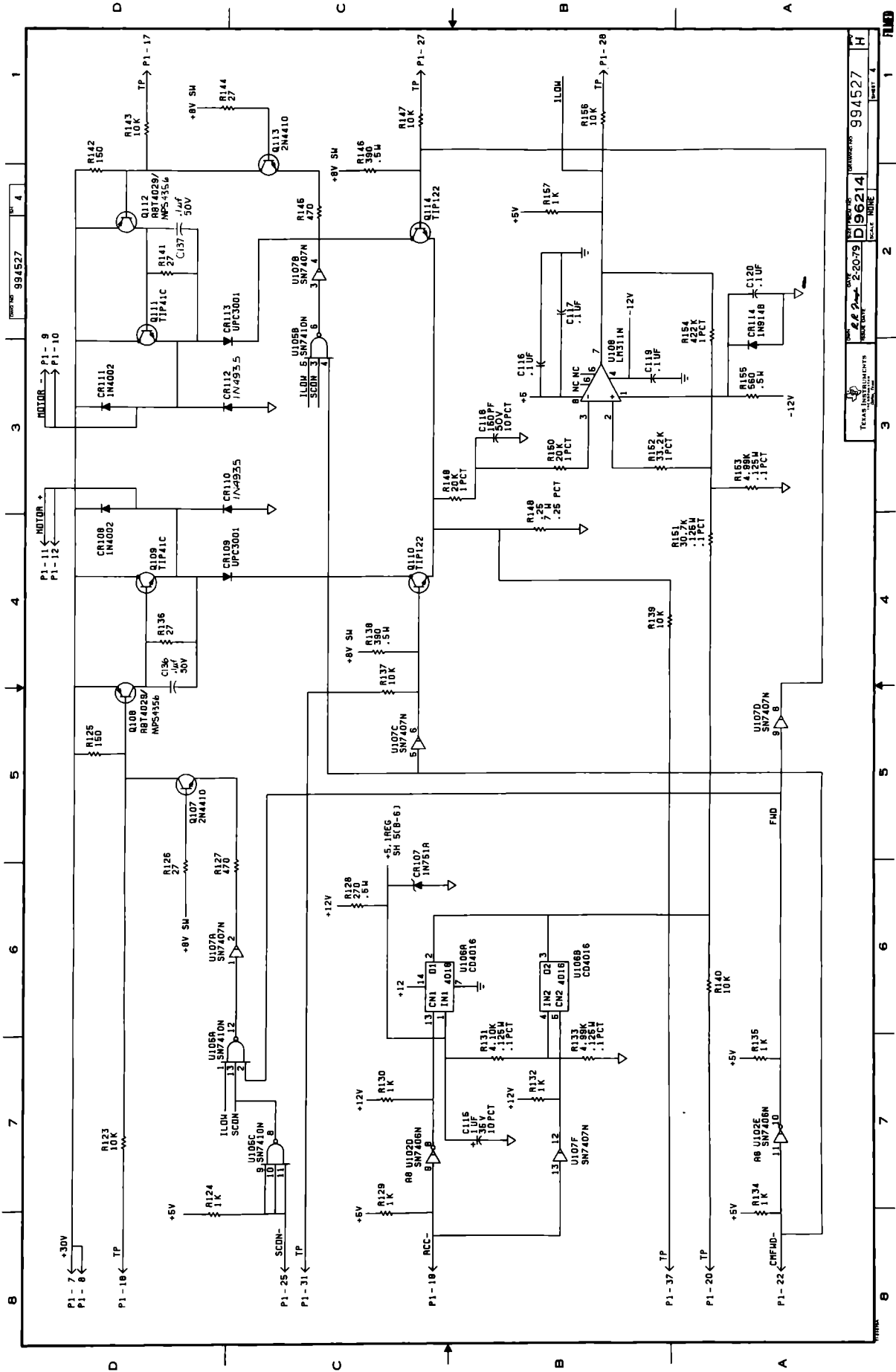
12

REV. 1 OF 1
 DATE: 2-20-75
 DRAWN BY: D196214
 CHECKED BY: JUNE
 PART NO: 994527
 SHEET: 2
 OF: 2

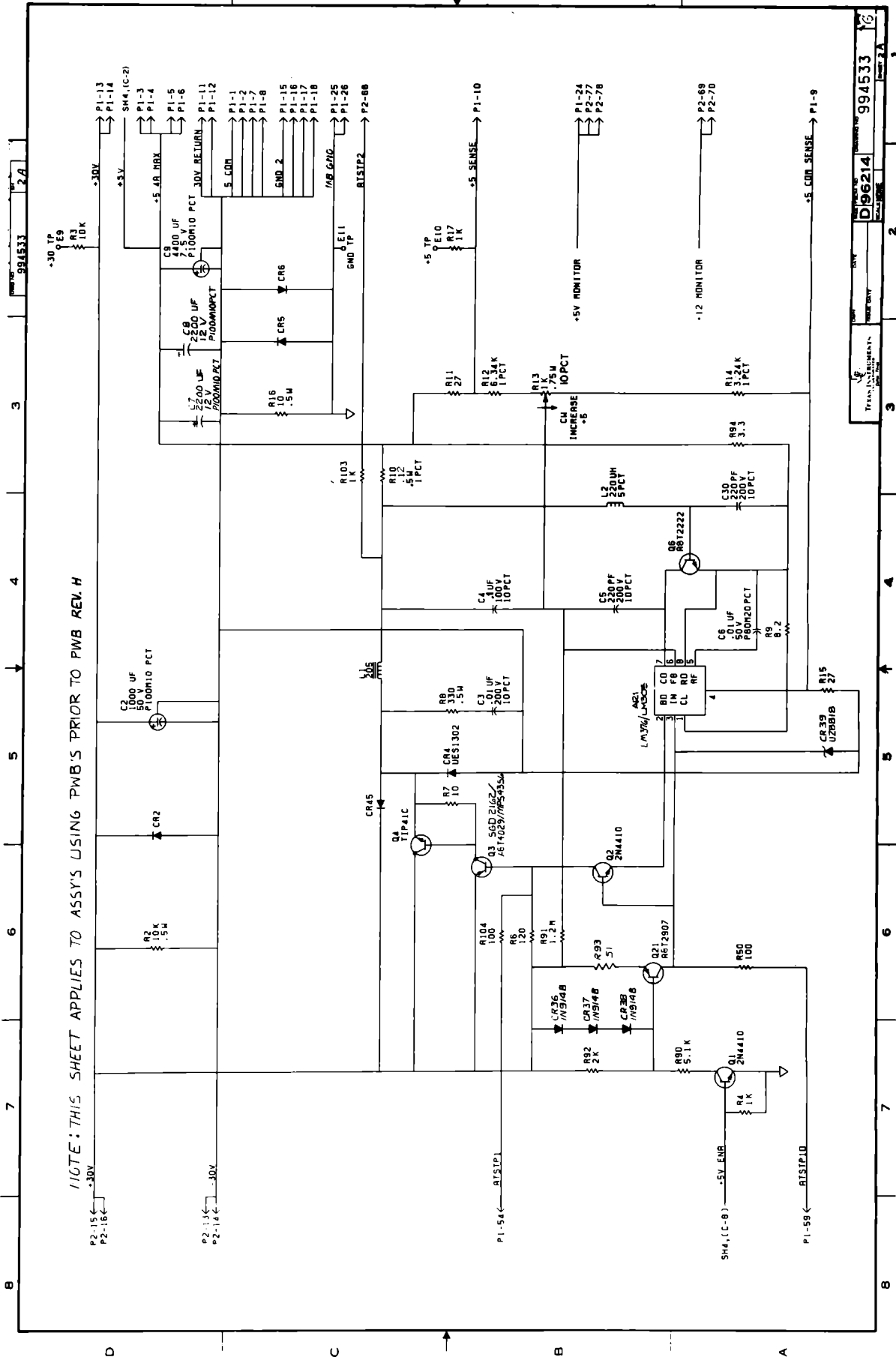


| | | | | |
|-------------------|---------|-----|-----|--------|
| DATE | 2-20-79 | REV | D | 994527 |
| TIME | 2:20 | BY | JRE | |
| TRAN INSTRUMENTER | | | | |

STAGE 1 2 3 4 6 8 7
P2 - 33 24 43 12 44 16 49

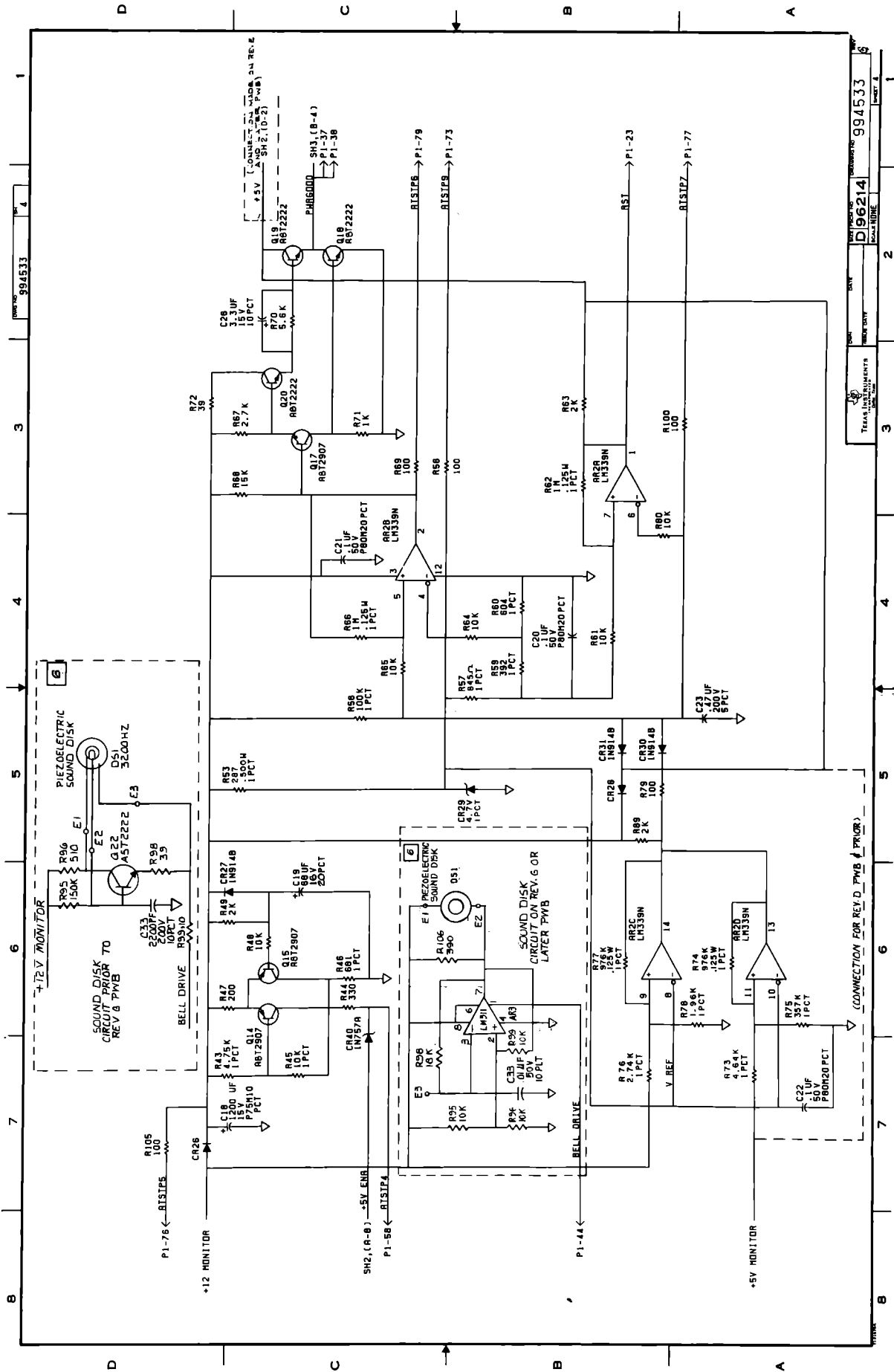


TEXAS INSTRUMENTS
 2004
 2-20-79
 D96214
 994527
 H



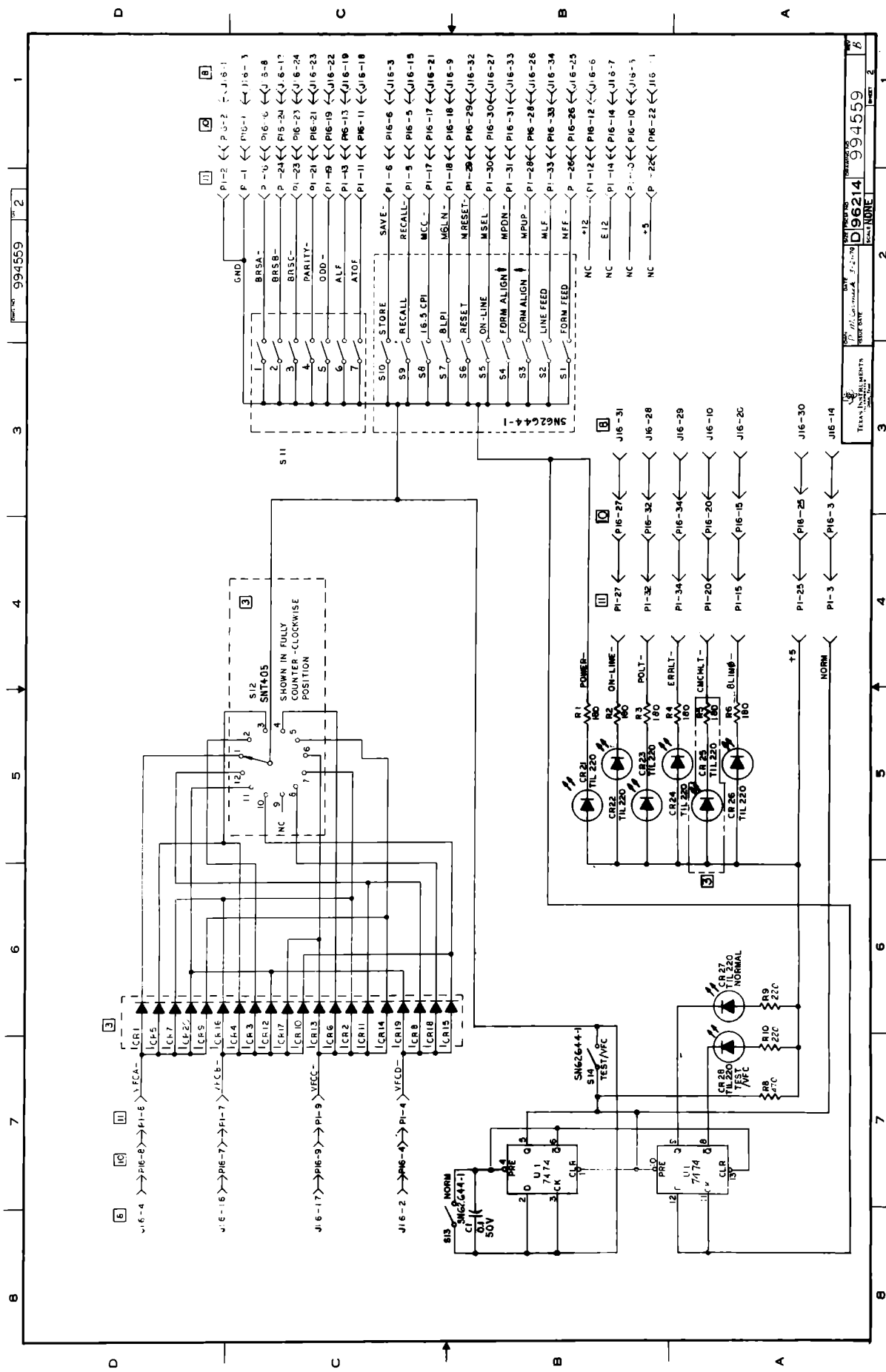
NOTE: THIS SHEET APPLIES TO ASSY'S USING PWB'S PRIOR TO PWB REV. H

994533
 2A
 2
 3
 4
 5
 6
 7
 8
 9
 10
 11
 12
 13
 14
 15
 16
 17
 18
 19
 20
 21
 22
 23
 24
 25
 26
 27
 28
 29
 30
 31
 32
 33
 34
 35
 36
 37
 38
 39
 40
 41
 42
 43
 44
 45
 46
 47
 48
 49
 50
 51
 52
 53
 54
 55
 56
 57
 58
 59
 60
 61
 62
 63
 64
 65
 66
 67
 68
 69
 70
 71
 72
 73
 74
 75
 76
 77
 78
 79
 80
 81
 82
 83
 84
 85
 86
 87
 88
 89
 90
 91
 92
 93
 94
 95
 96
 97
 98
 99
 100



994533
D96214
994533
Texas Instruments
DATE: _____
DRAWN BY: _____
CHECKED BY: _____
DESIGNED BY: _____
REVISION: _____

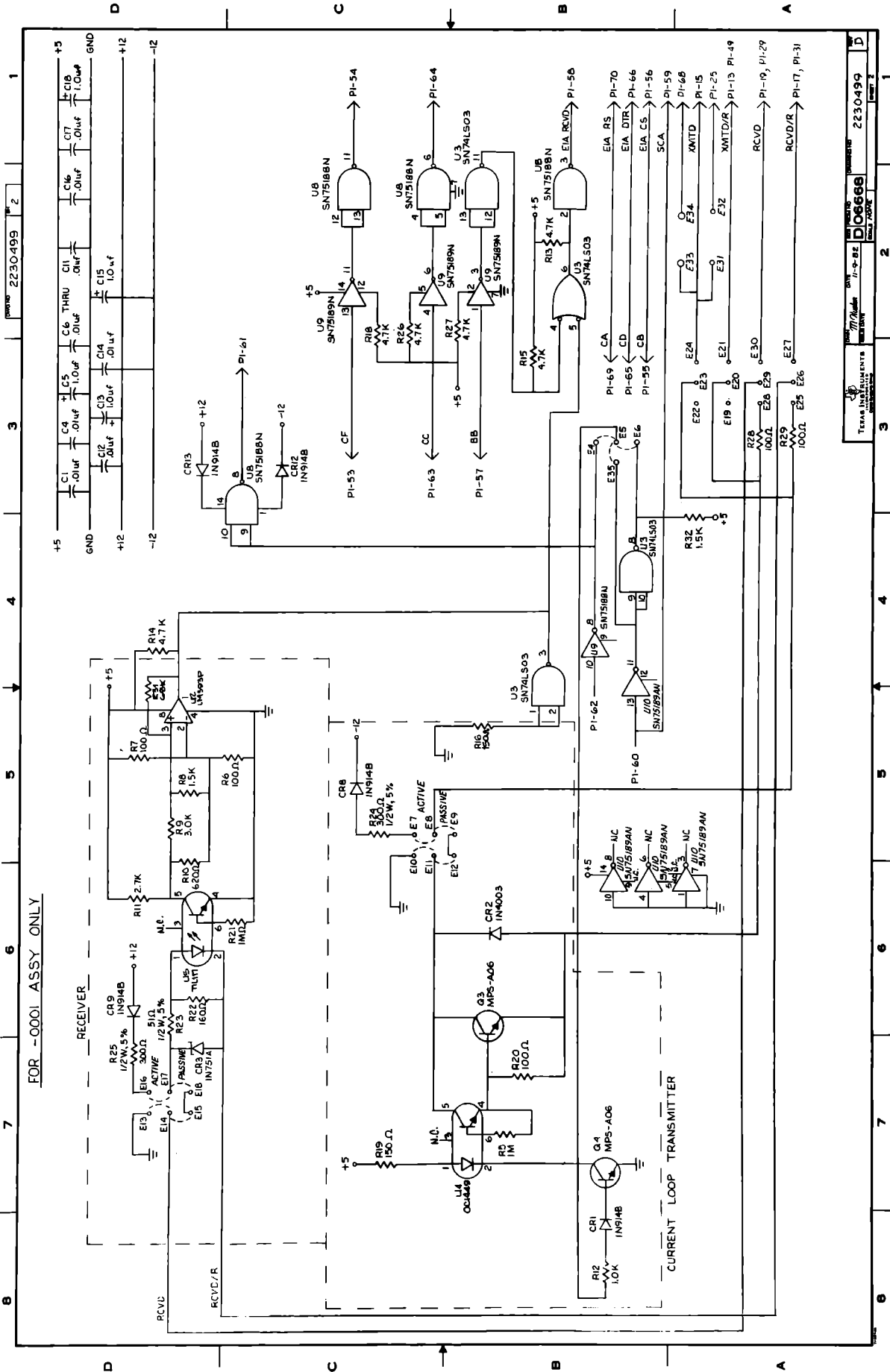
PIEZOELECTRIC SOUND DISK
SOUND DISK CIRCUIT PRIOR TO REV. B PWB
BELL DRIVE
SOUND DISK CIRCUIT REV. 6 OR LATER PWB
BELL DRIVE
+12V MONITOR
+5V MONITOR
CONNECTION FOR REV. D PWB (PRIOR)



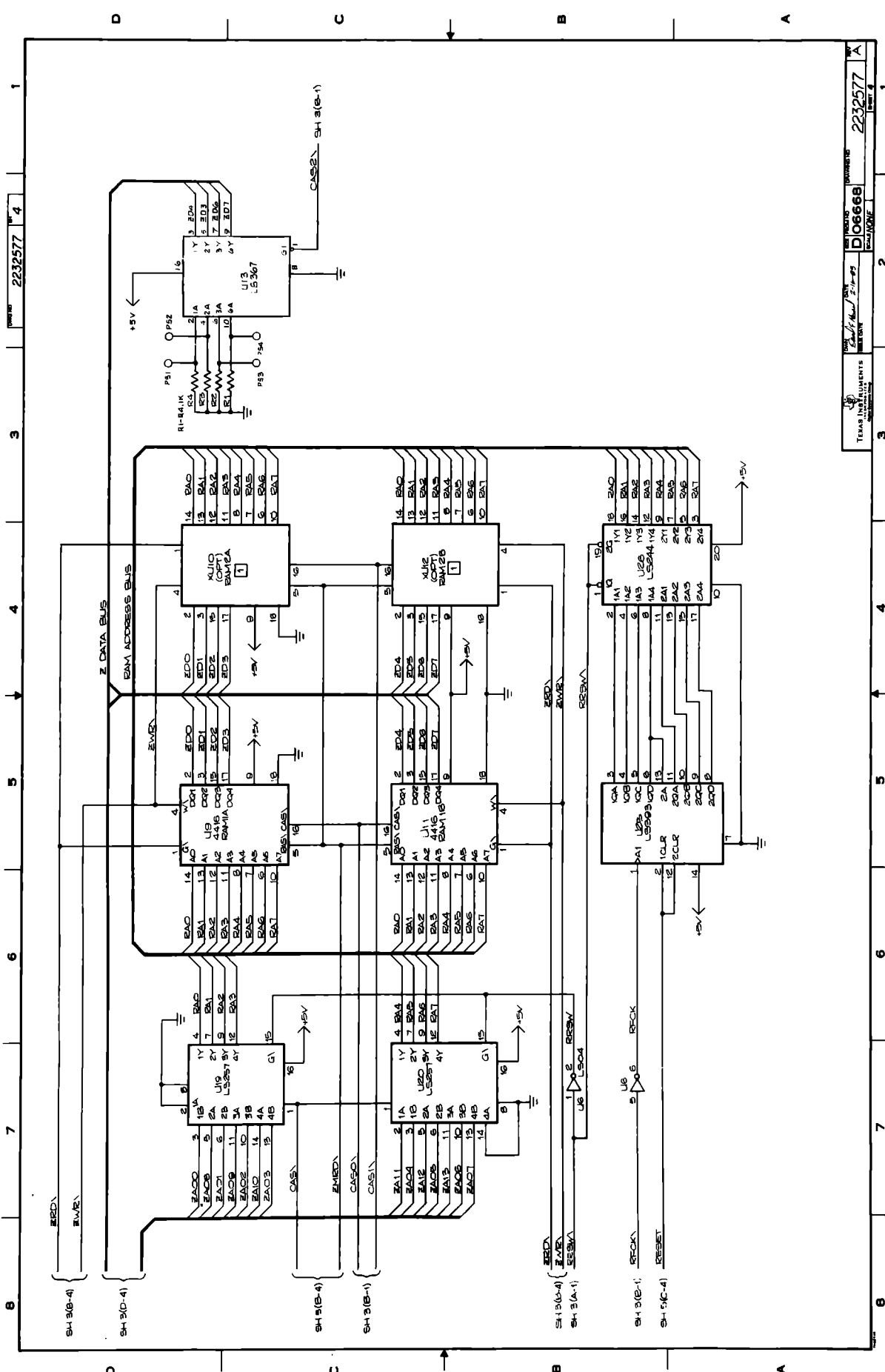
994559 2 1 3 4 5 6 7 8

| | | | | |
|----------|-----------|---------|-----------|---------|
| REV. NO. | REV. DATE | REV. BY | REV. DATE | REV. BY |
| 1 | | | | |
| 2 | | | | |
| 3 | | | | |
| 4 | | | | |
| 5 | | | | |
| 6 | | | | |
| 7 | | | | |
| 8 | | | | |

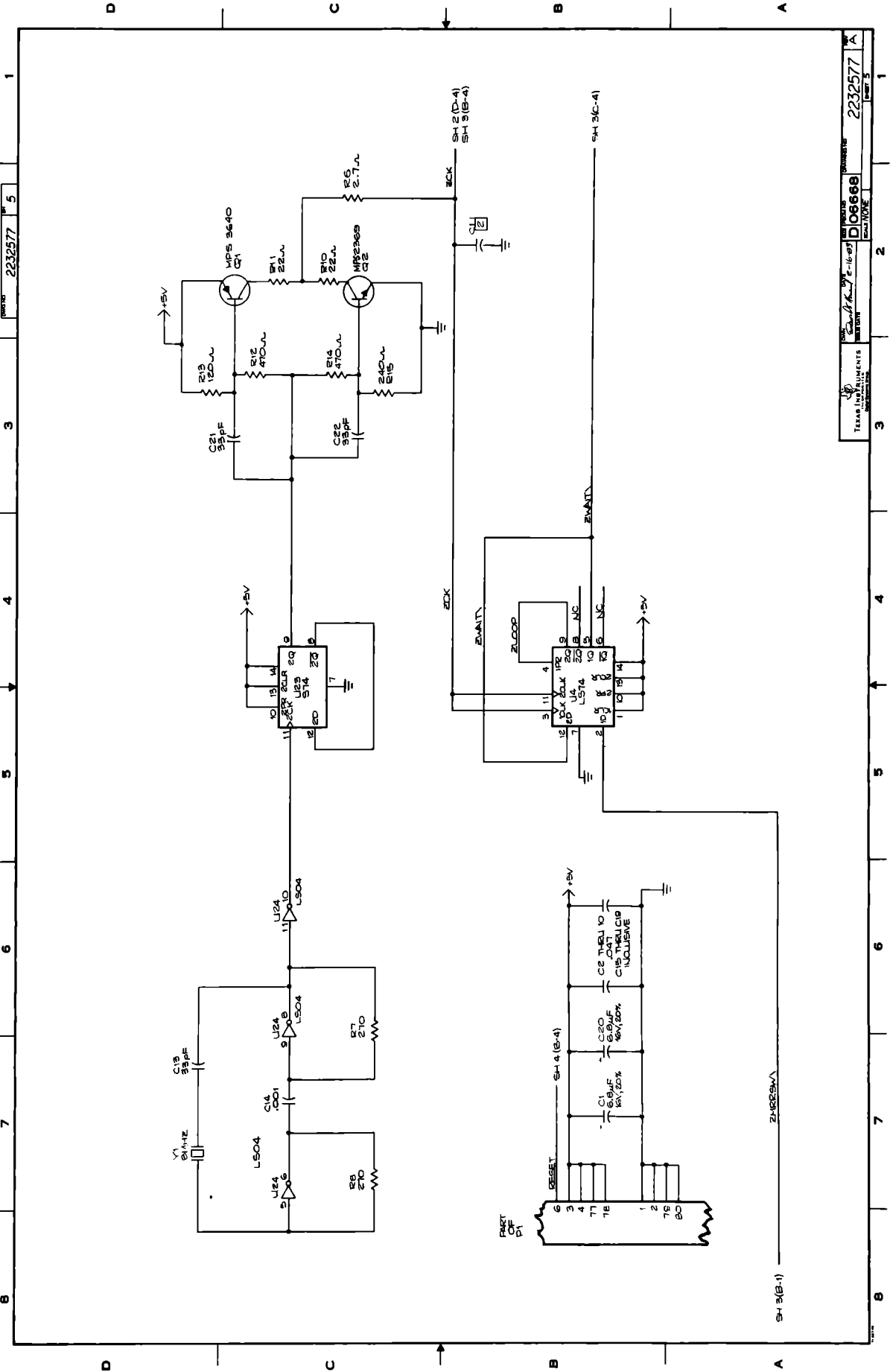
994559
 D196214
 NONE
 NONE



| | | | | | | | | |
|-------------|---------|---|---|---|---|---|---|---|
| REV | 1 | 2 | 3 | 4 | 5 | 6 | 7 | 8 |
| DATE | | | | | | | | |
| BY | | | | | | | | |
| CHKD | | | | | | | | |
| APP'D | | | | | | | | |
| DESCRIPTION | 2230499 | | | | | | | |
| QUANTITY | 1 | | | | | | | |
| UNIT | PCB | | | | | | | |
| PRICE | 06666 | | | | | | | |
| DATE | 2830499 | | | | | | | |
| REV | 1 | | | | | | | |
| DATE | | | | | | | | |
| BY | | | | | | | | |
| CHKD | | | | | | | | |
| APP'D | | | | | | | | |
| DESCRIPTION | 2230499 | | | | | | | |
| QUANTITY | 1 | | | | | | | |
| UNIT | PCB | | | | | | | |
| PRICE | 06666 | | | | | | | |
| DATE | 2830499 | | | | | | | |
| REV | 1 | | | | | | | |



2232577
 D06668
 TEXAS INSTRUMENTS
 2232577
 4

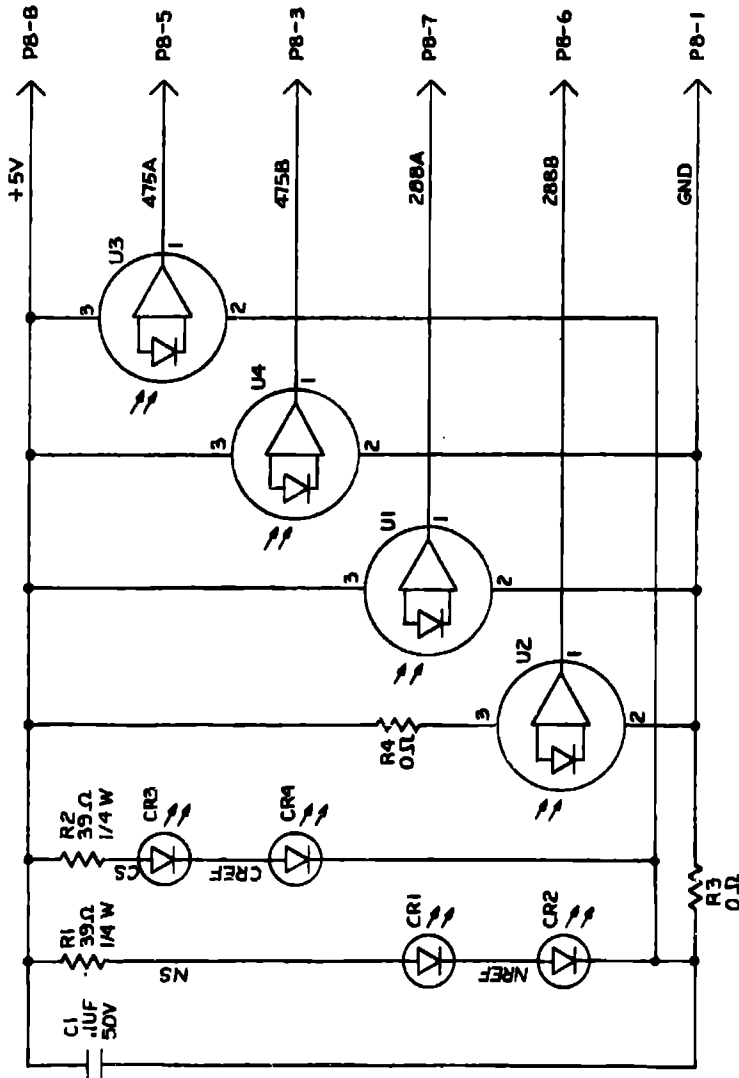


| | | | | | | | | | |
|-----|------|----|------|------|-----|------|-------|---------|---------|
| REV | DATE | BY | CHKD | APPV | QTY | UNIT | PRICE | TOTAL | REMARKS |
| 1 | | | | | | | | | |
| | | | | | | | | 2232577 | Page 3 |

NOTES, UNLESS OTHERWISE SPECIFIED:

1. R2, CR3, CR4, U3 AND U4 ARE USED ON -0002 ONLY

2. U1-U4 PIN NUMBERS SHOWN FOR ULN3330D ONLY. SEE ASSEMBLY DRAWING FOR ALTERNATE CONFIGURATIONS



-0002 ASSY SHOWN

REVISIONS

| REV | DESCRIPTION | DATE | APPROVED |
|-----|-----------------------|---------|----------|
| A | CNS1394B (D) SD | 1-10-84 | SD |
| B | CNS15730(D) M. DURHAM | 2-10-84 | MD |

| REV | ITEM | QTY | NO | PART OR IDENTIFYING NUMBER | INCORPORATE OR DESCRIPTION | NOTES |
|------------|------|-----|----|----------------------------|--|-------|
| 2232593 | | | | | | |
| PARTS LIST | | | | | TEXAS INSTRUMENTS ELECTRONIC SCHEMATIC DIAGRAM, ENCODER CIRCUIT PART NO. 2232593 REV. 10/84 DATE 10/84 BY SD CHECKED MD APPROVED MD TITLE ENCODER CIRCUIT SCALE NONE SHEET 1 OF 2 | |
| 2232593 | 8733 | | | ULN3330D | INVERTER | |
| | | | | 475A | INVERTER | |
| | | | | 475B | INVERTER | |
| | | | | 208A | INVERTER | |
| | | | | 288B | INVERTER | |
| | | | | | GND | |

| REV | STATUS | REV | B | B |
|-----|-----------|-----|---|---|
| | OF SHEETS | SH | 1 | 2 |

| REV | NO | CLASSIFICATION | NOTES |
|-----|----|----------------|-------|
| | | | |

FILMED

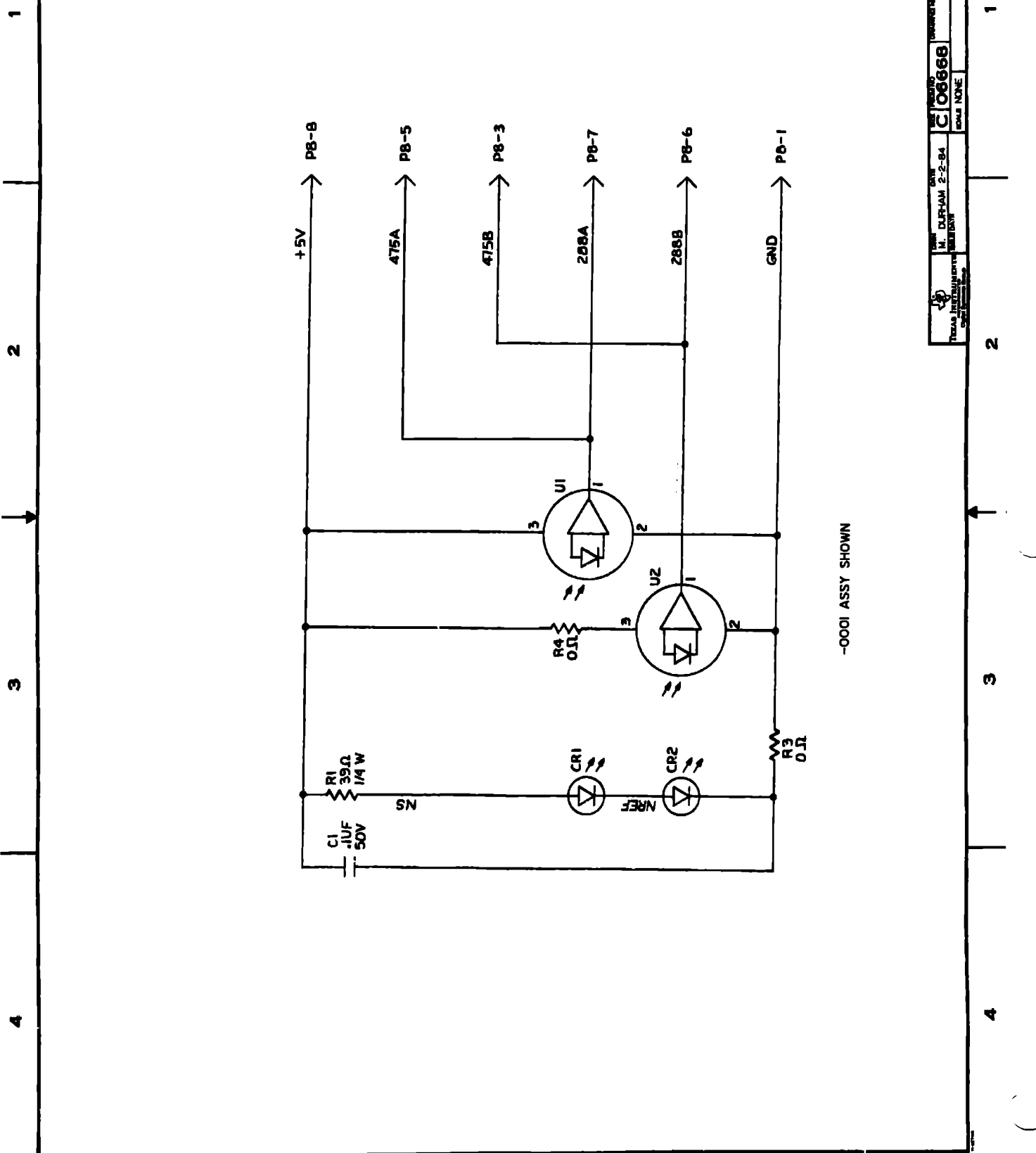
DB

2

430

3

4

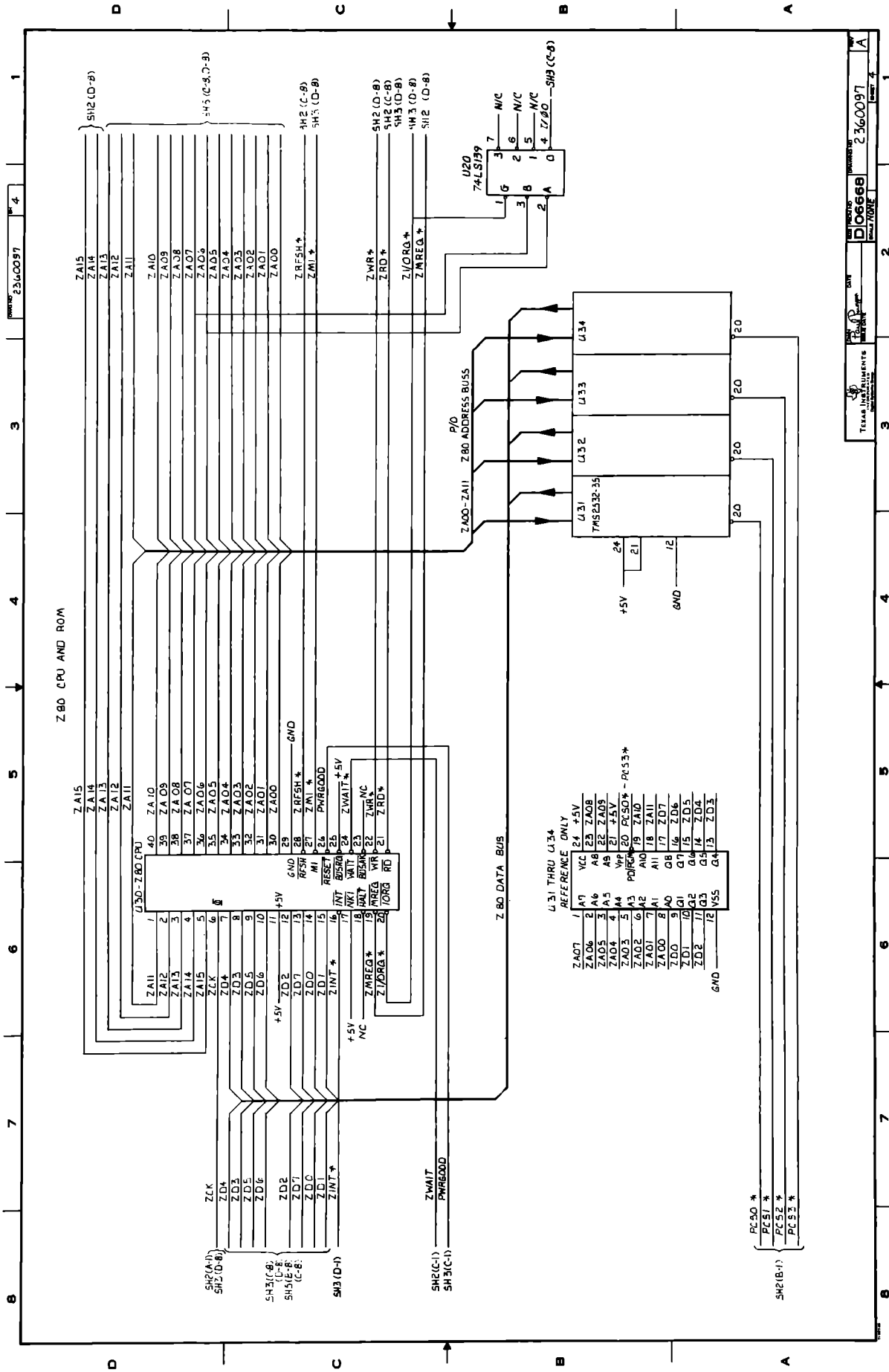


-0001 ASSY SHOWN

| | | | | | | |
|----------|------|-------------------|------|------------|-----|-------------|
| REV | DATE | BY | CHKD | APP'D | QTY | DESCRIPTION |
| 1 | | | | | | |
| PART NO | | 2232593 | | REV B | | |
| MFG | | M. DUFFHAM 2-2-84 | | C 06668 | | |
| MATERIAL | | MULTI QUANT | | SCALE NONE | | |
| DRAWN | | C. J. HARRIS | | SHEET 2 | | |

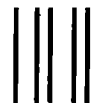
2232593

2





FOLD



NO POSTAGE
NECESSARY
IF MAILED
IN THE
UNITED STATES

BUSINESS REPLY MAIL
FIRST CLASS PERMIT NO. 6189 HOUSTON, TX

POSTAGE WILL BE PAID BY ADDRESSEE

Texas Instruments Incorporated
Attn: Technical Publications M/S 7878
P.O. Box 1444
Houston, TX 77251



FOLD

Sales and Service Offices of Texas Instruments are located throughout the United States and in major countries overseas. Contact the Data Systems Group, Texas Instruments Incorporated, P.O. Box 1444, Houston, Texas 77251, or call (713) 895-3000 for the location of the office nearest to you.



Texas Instruments reserves the right to change its product and service offerings at any time without notice.

**TEXAS
INSTRUMENTS**

Manual Part No. 994386-0002



TEXAS
INSTRUMENTS

