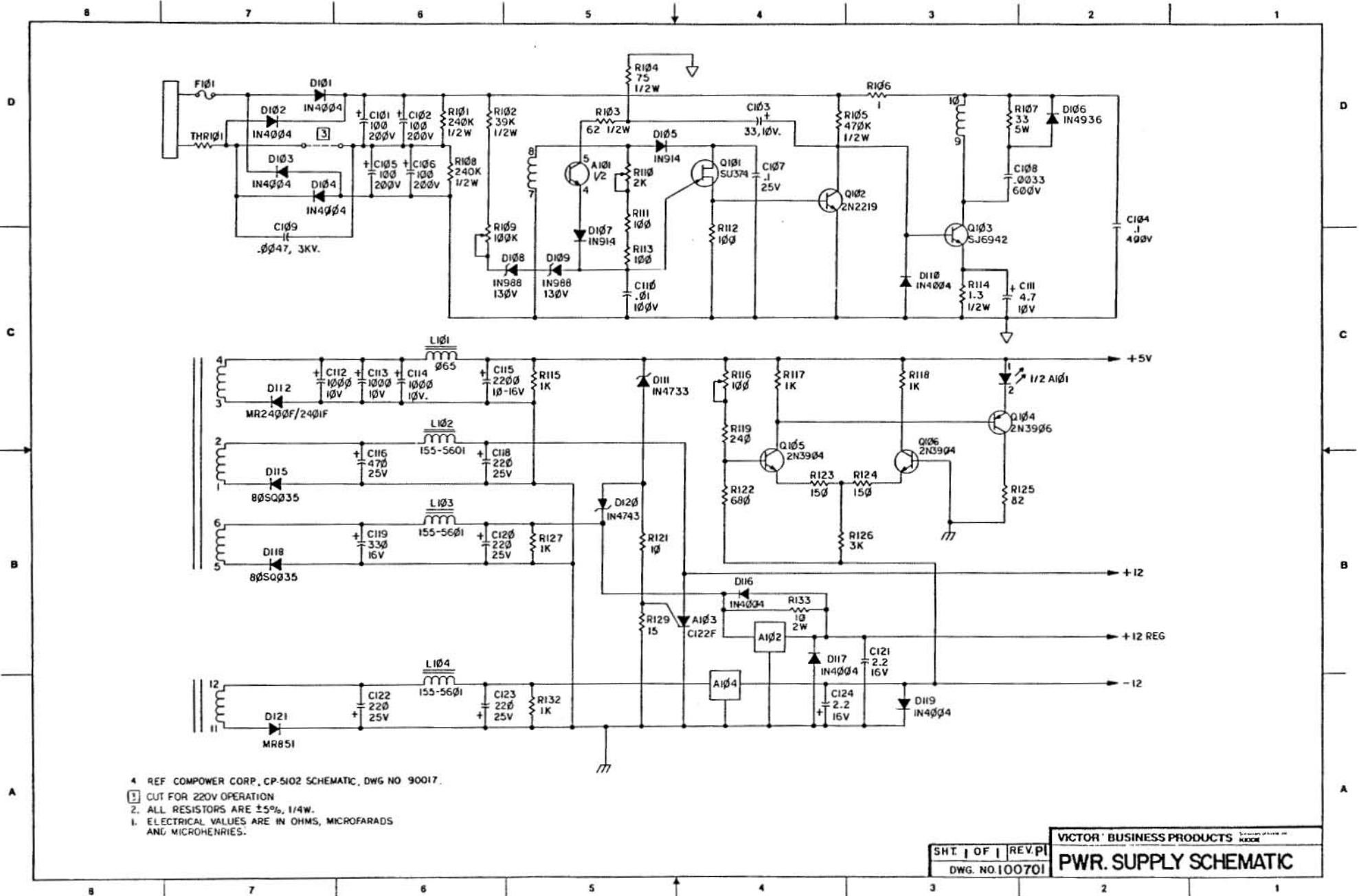


4. REF. COMPOWER CORP., CP-502 SCHEMATIC, DWG NO 90017.
 5. CUT FOR 220V OPERATION
 2. ALL RESISTORS ARE 5% \pm , 1/4W.
 1. ELECTRICAL VALUES ARE IN OHMS, MICROFARADS AND MICROHENRIES.
 NOTES: UNLESS OTHERWISE SPECIFIED.

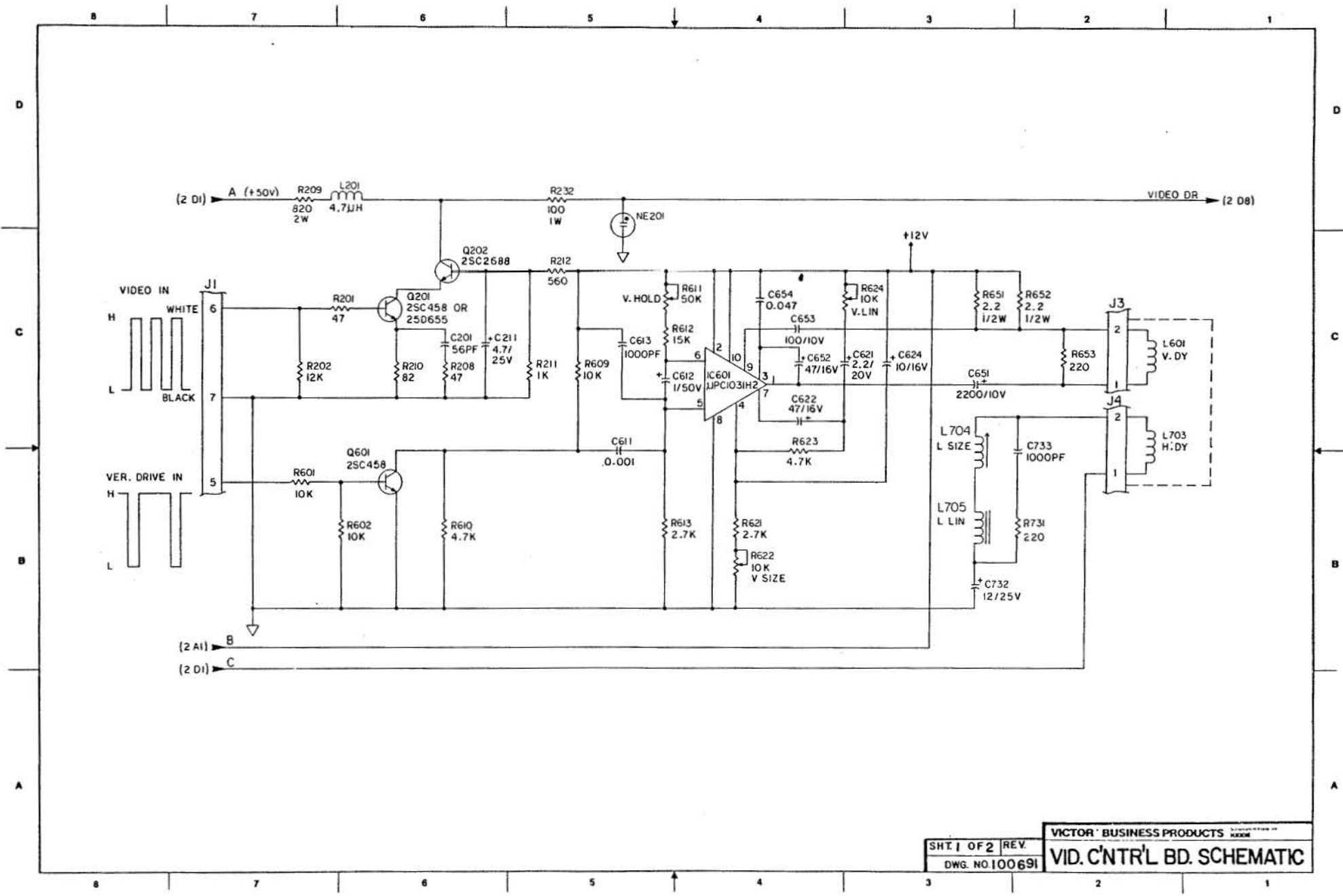
MOV	
R133	R126, 120, 135, C
D121	D113, D14, 16, 20
C12C	C121
A10C	A102
LAST USED	NOT USED
REFERENCE DESIGNATIONS	

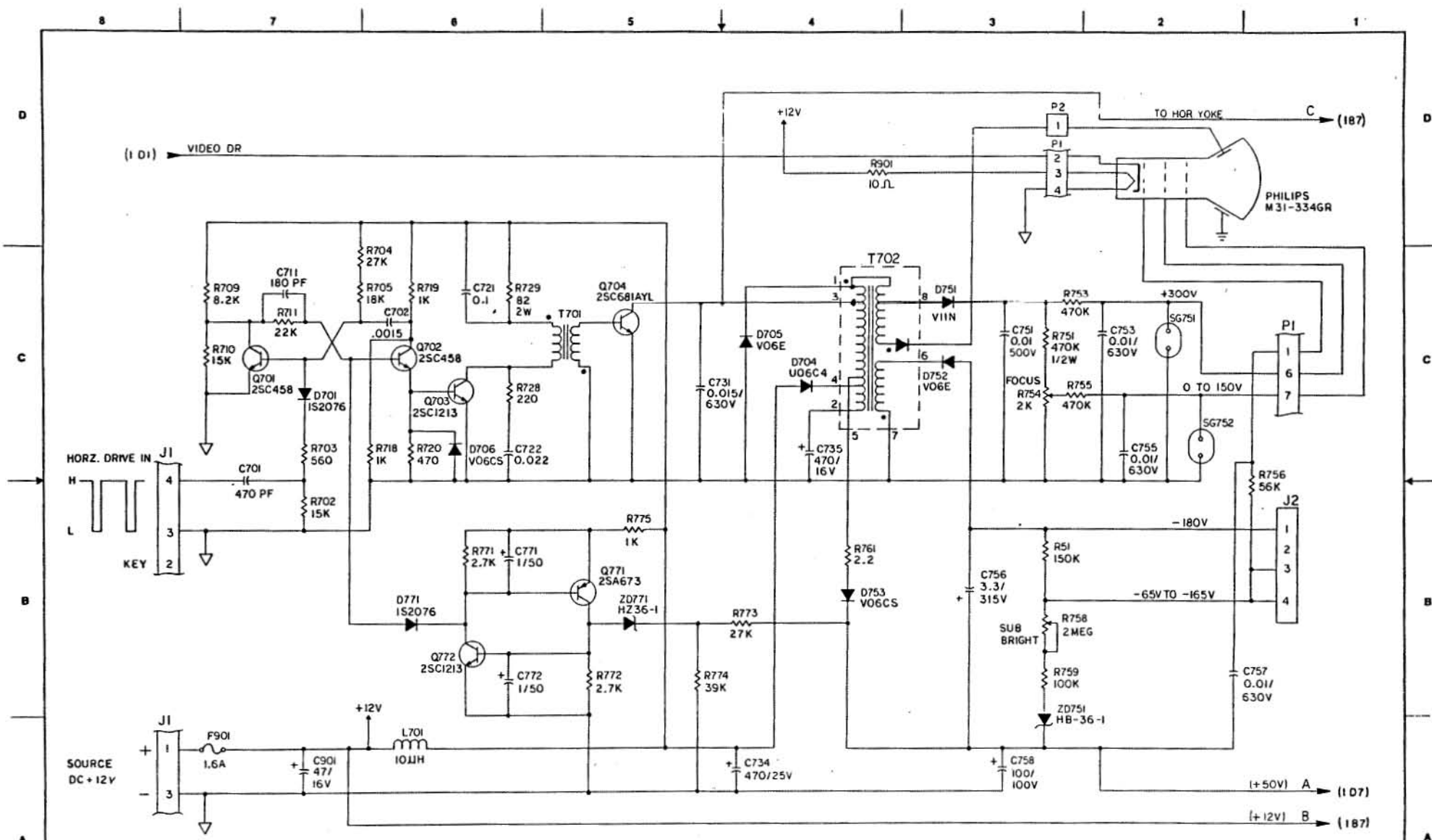
SHT. 1 OF 1 REV. B
 DWG. NO. 100701

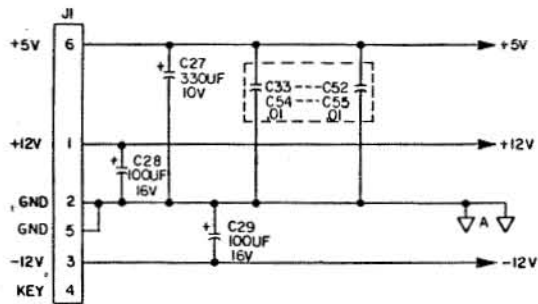
VICTOR
 Victor Technologies, Inc.
POWER SUPPLY SCHEM.



- 4 REF COMPOWER CORP., CP-5102 SCHEMATIC, DWG NO 90017.
- 1 CUT FOR 220V OPERATION
- 2. ALL RESISTORS ARE ±5%, 1/4W.
- 1. ELECTRICAL VALUES ARE IN OHMS, MICROFARADS AND MICROHENRIES.







NOTES: UNLESS OTHERWISE SPECIFIED.

1. ELECTRICAL VALUES ARE IN OHMS, MICROFARADS AND MICROHENRIES.

2. ALL RESISTERS ARE $\pm 5\%$, 1/4 W.

3. F.S. IS FACTORY SELECT COMPONENTS.

4. Q1, Q2 ARE MOUNTED ON HEATSINK.

5. ALL INTEGRATED CIRCUITS ARE SN74 SERIES.

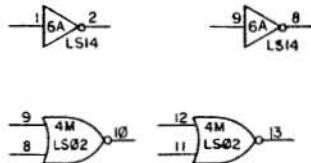
6. I.C. PINS ARE GND=7, +5V=14 EXCEPT FOR:

TYPE	GND	+5V
74LS123	8	16
74LS133	8	16
74LS139	8	16
74LS157	8	16
74LS165	8	16
74LS190	8	16
74LS191	8	16
74LS373	10	20
2316	12	24
75462	4	8

7. ALL DIODE ARE 1N4148.

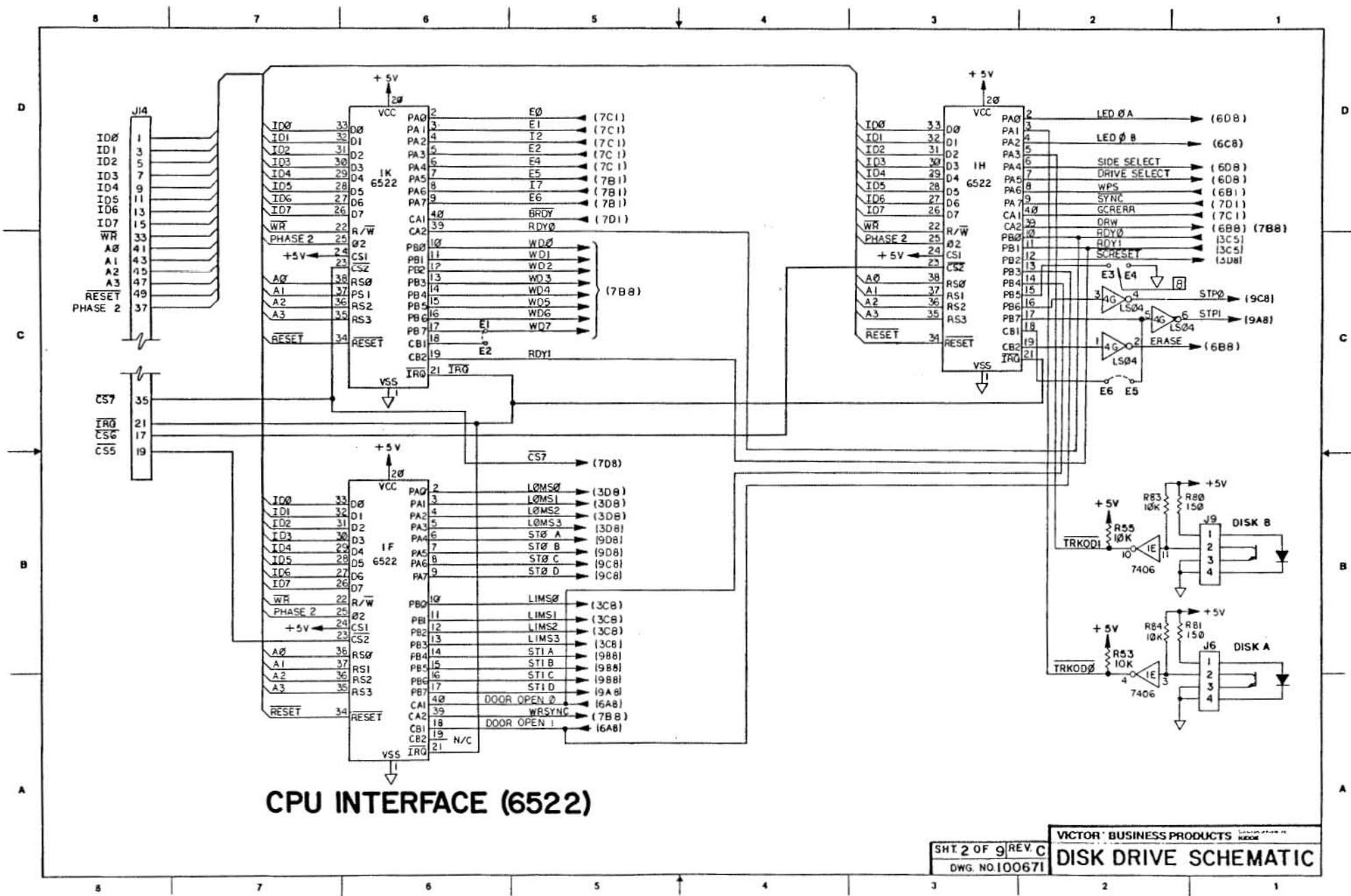
8. SEE TABULATION TABLE THIS PAGE.

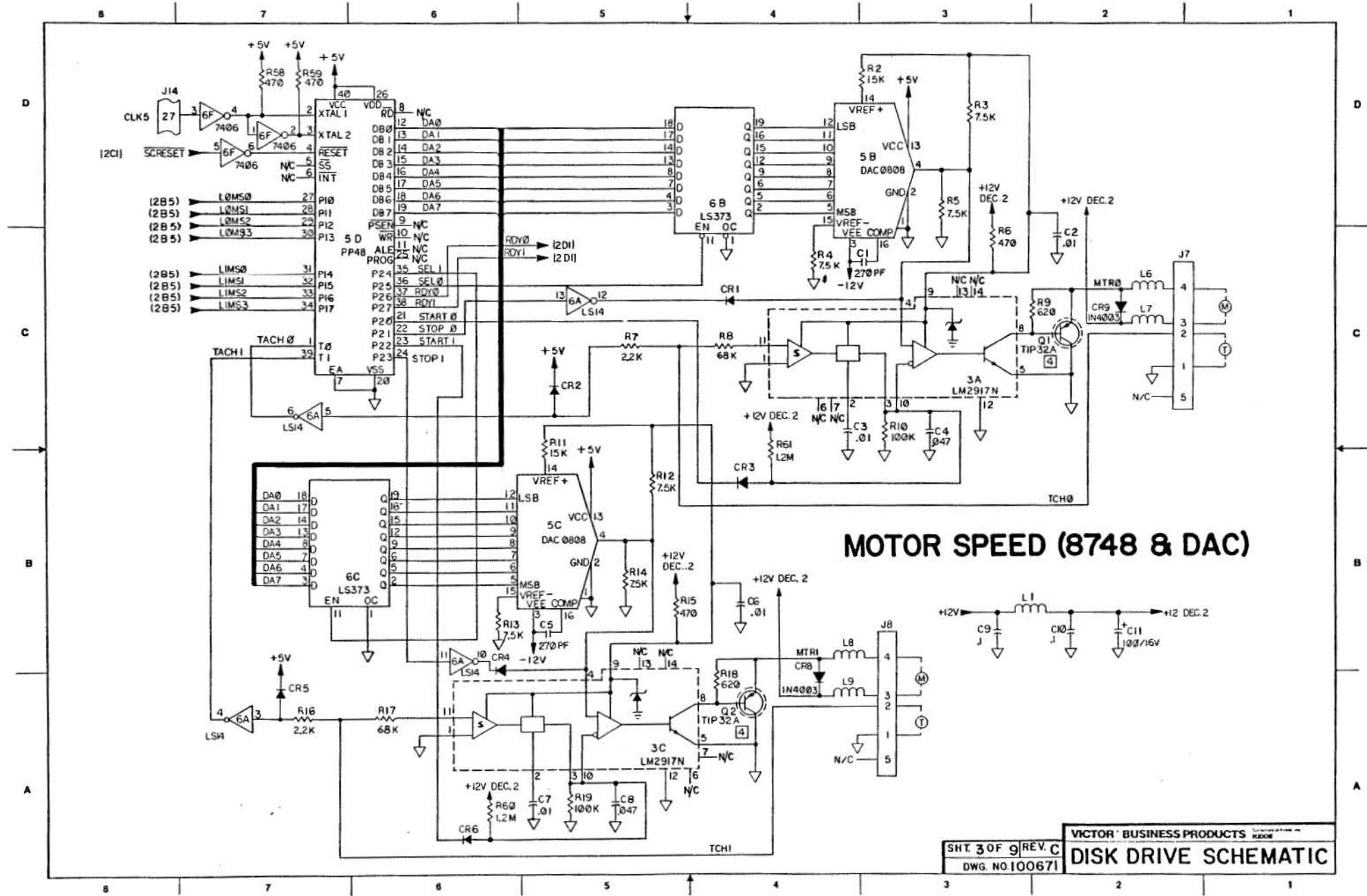
POWER & SPARES



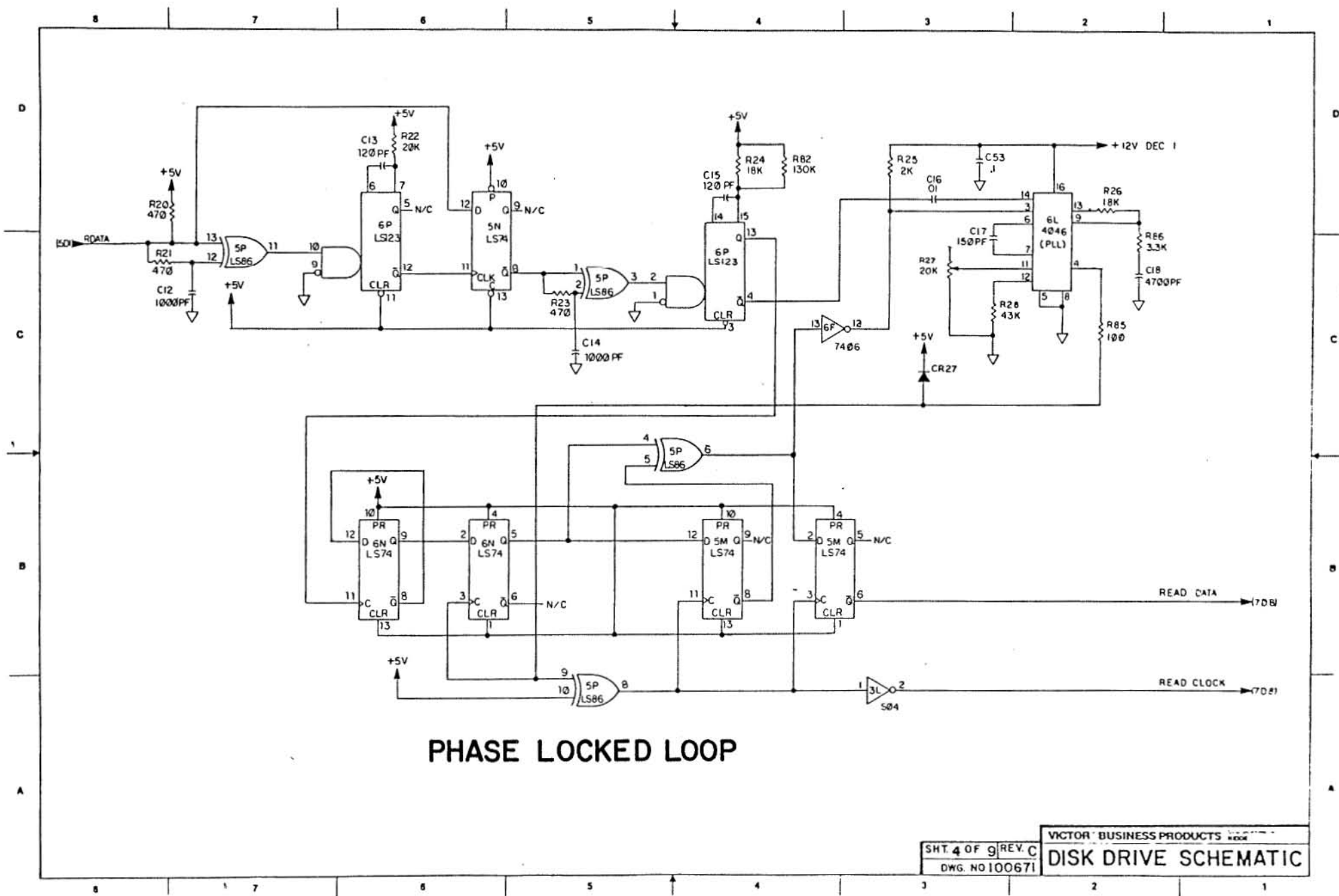
SPARE GATES

SHEET	DESCRIPTION
1	POWER & SPARES
2	CPU INTERFACE (6522)
3	MOTOR SPEED (8748 & DAC)
4	PLL
5	RD/WR HEAD INTERFACE
6	DRIVE SELECT, LED, DECODE
7	GCR EN/DE-CODER
8	DISK CONNECTORS (REF)
9	STEPPER CONTROL

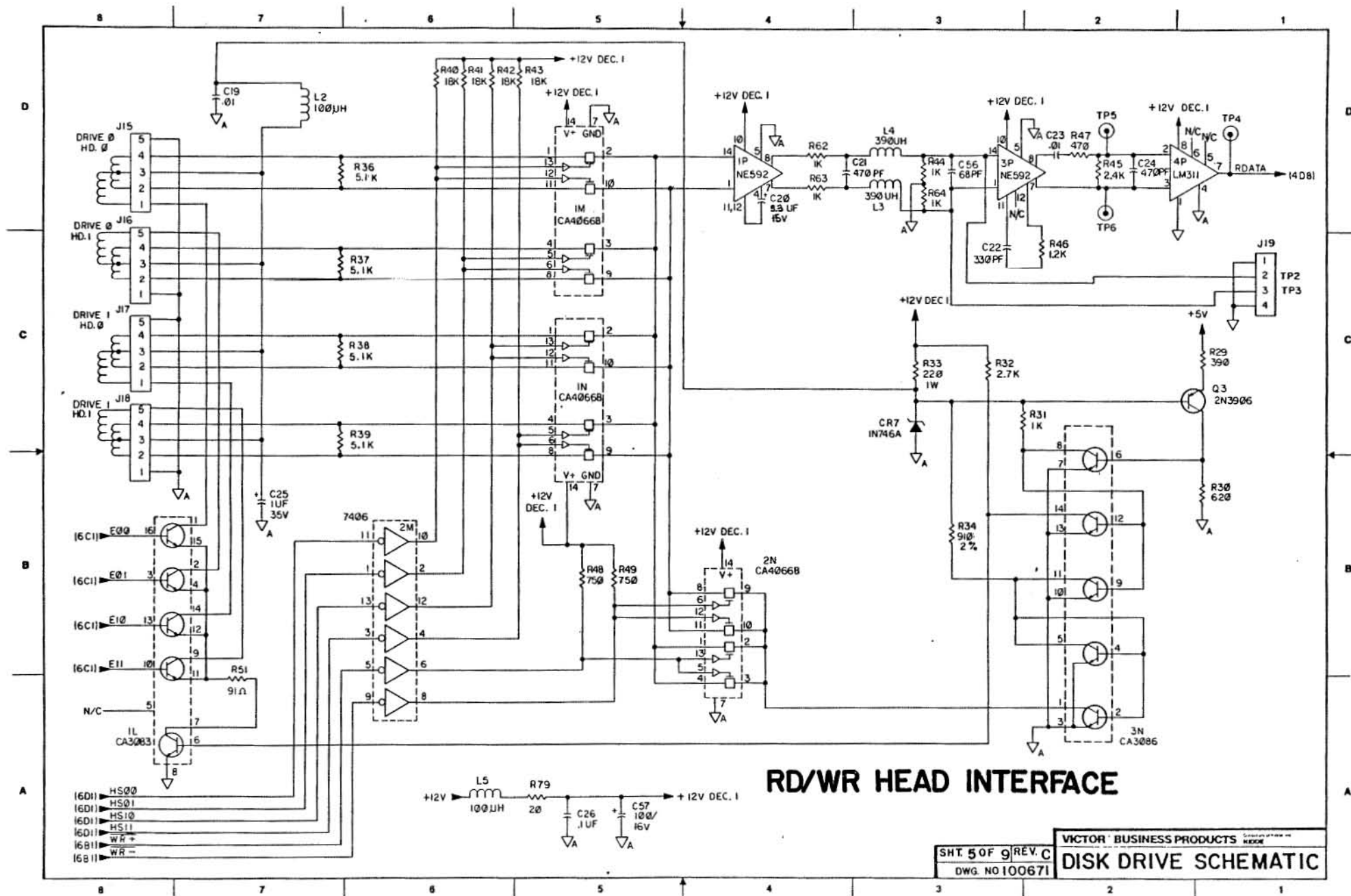


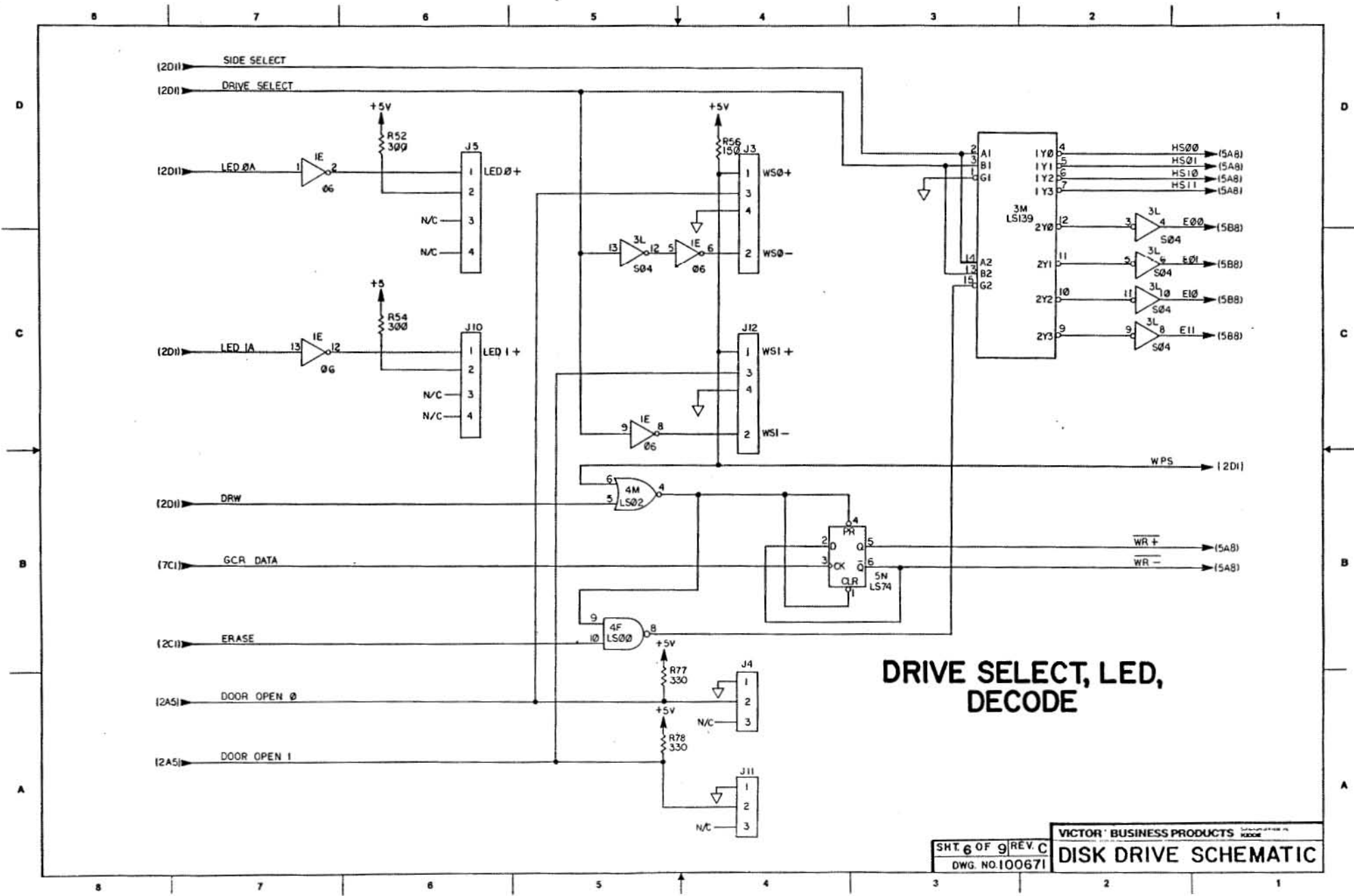


MOTOR SPEED (8748 & DAC)

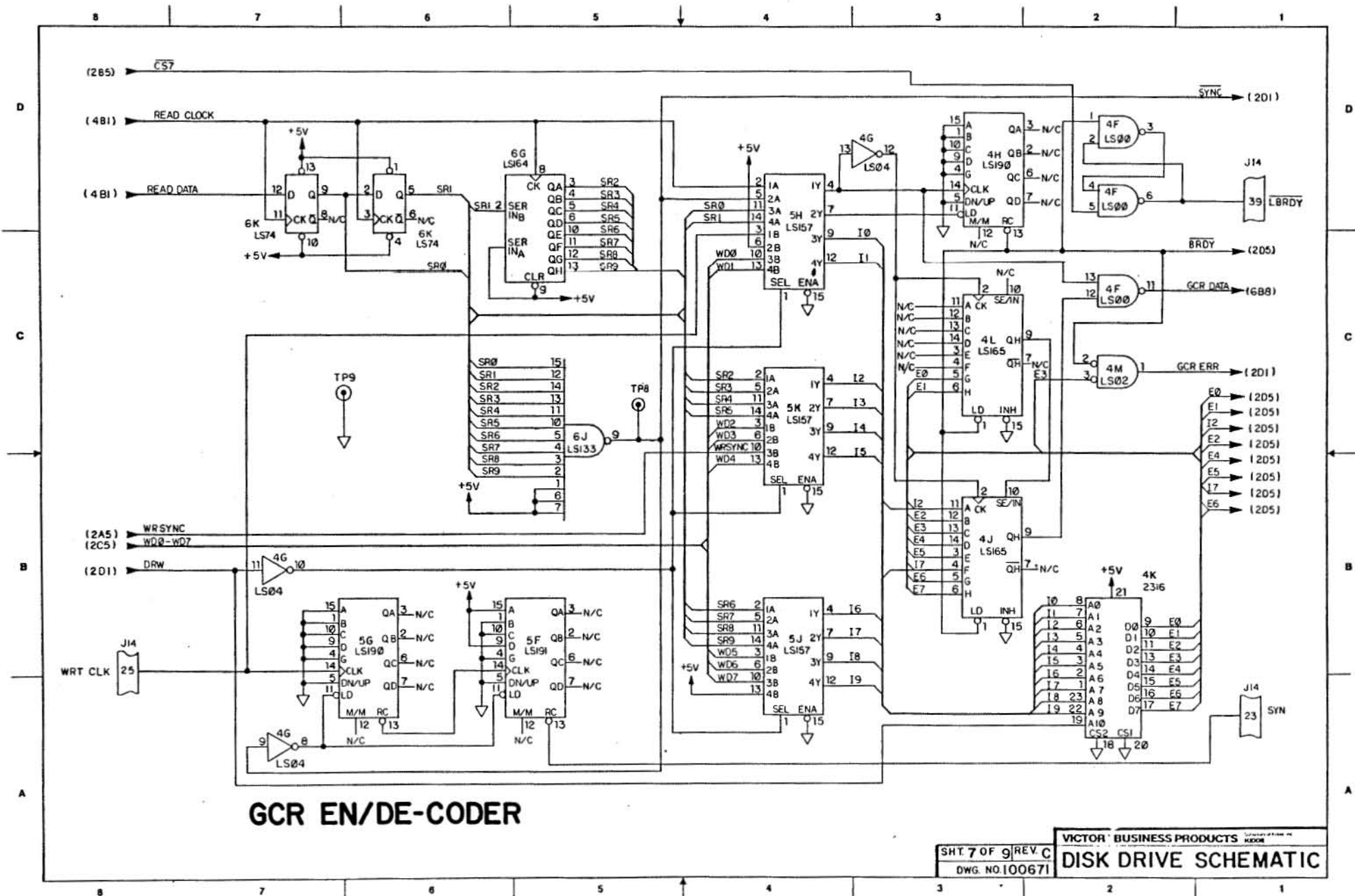


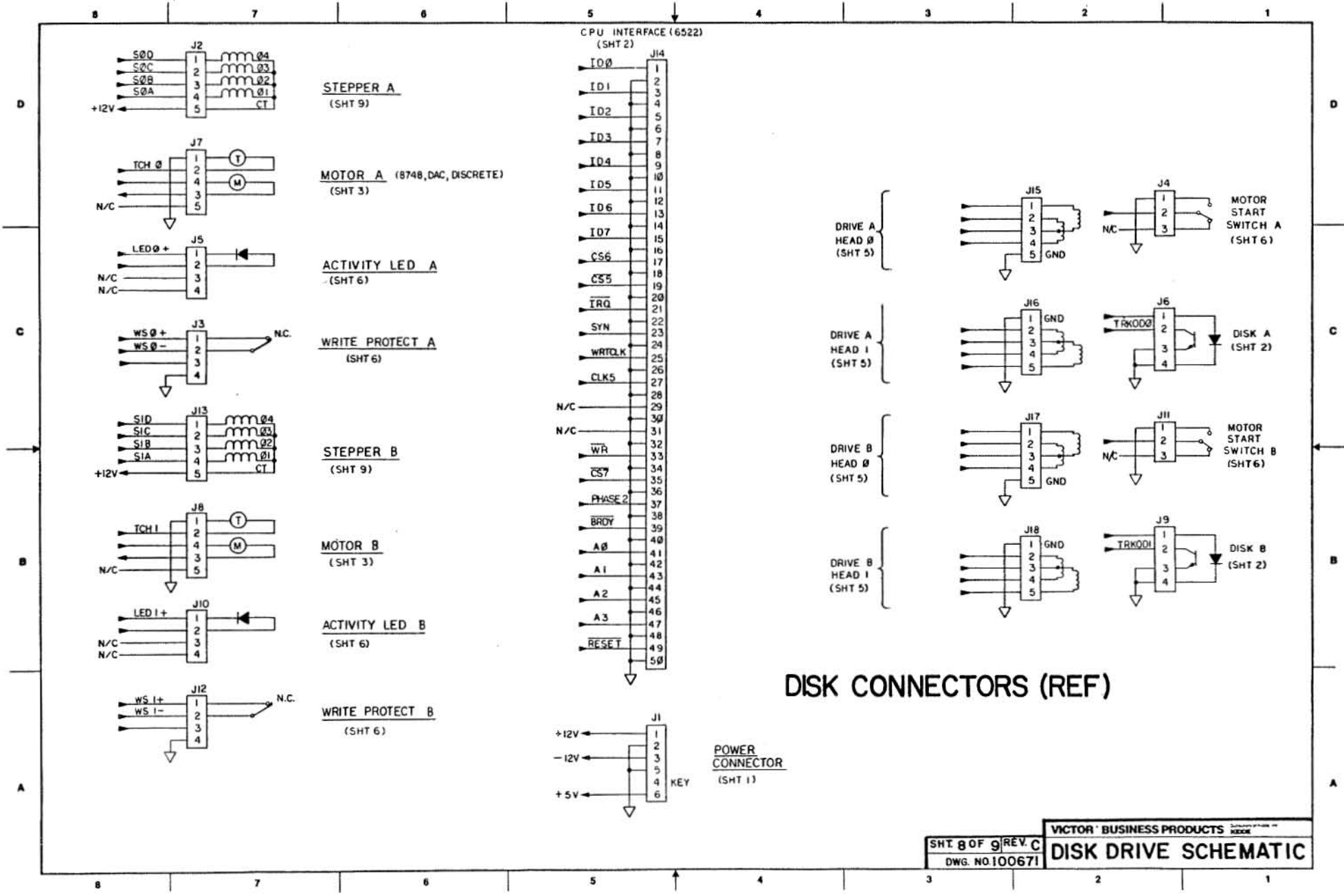
PHASE LOCKED LOOP





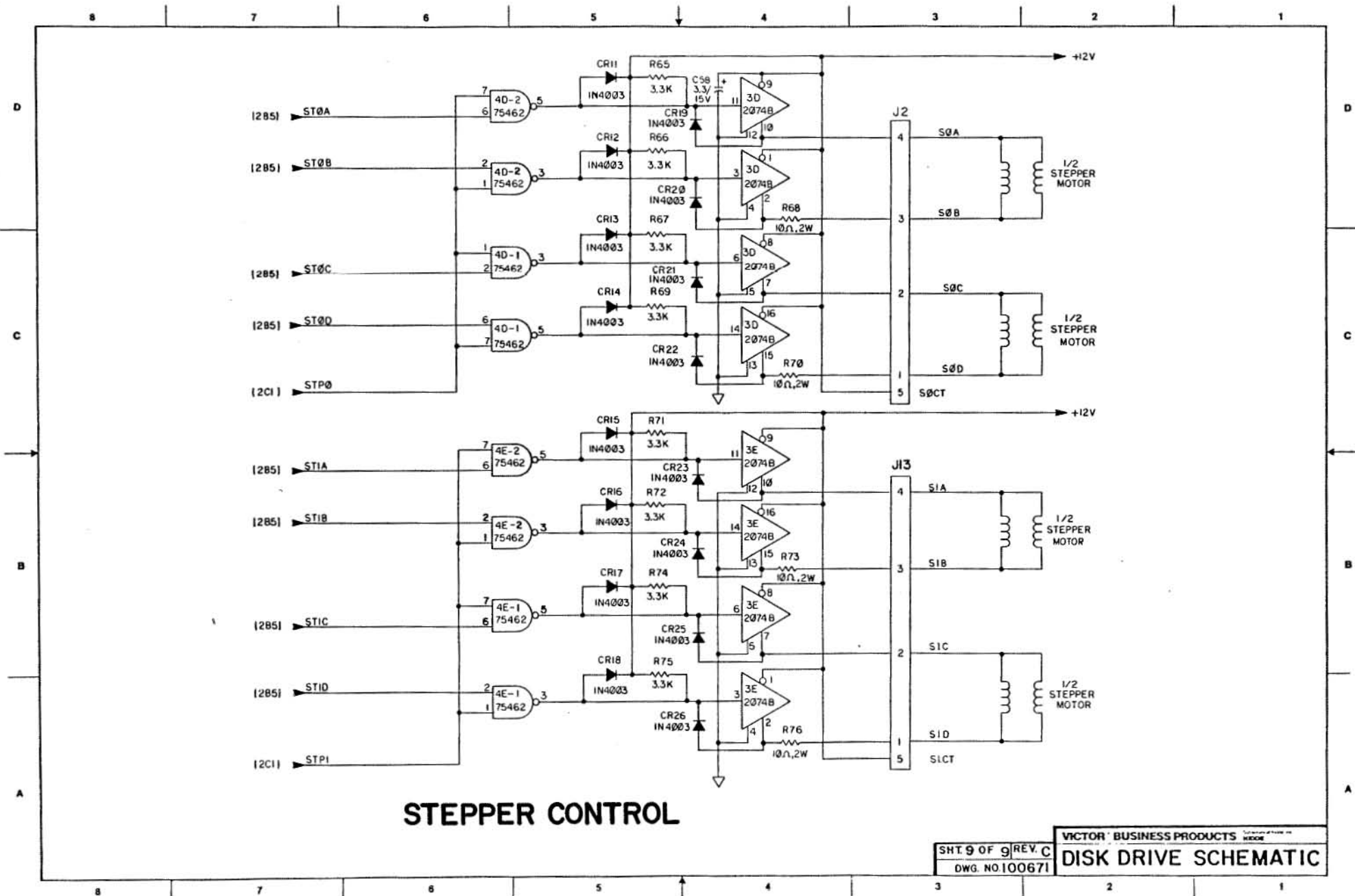
**DRIVE SELECT, LED,
DECODE**





SHT. 8 OF 9 (REV. C)
 DWG. NO. 100671

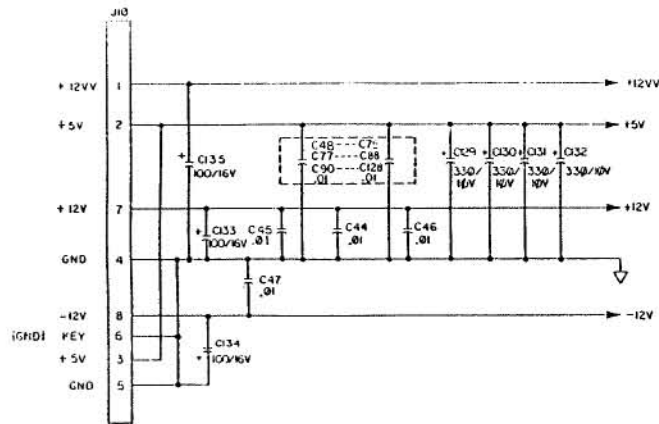
VICTOR BUSINESS PRODUCTS
DISK DRIVE SCHEMATIC



STEPPER CONTROL

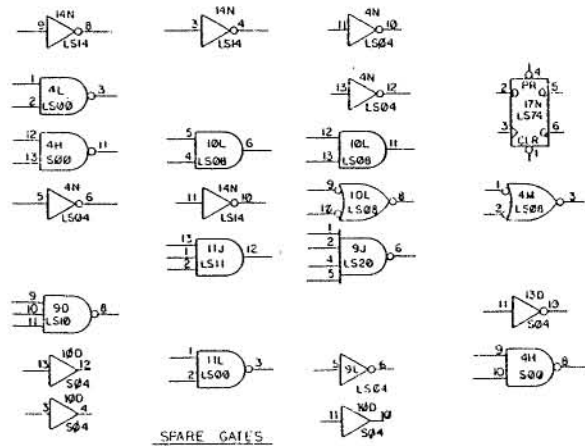
SHT 9 OF 9 REV. C
DWG. NO.100671

VICTOR BUSINESS PRODUCTS
DISK DRIVE SCHEMATIC



- NOTES: UNLESS OTHERWISE SPECIFIED:
- 1 ELECTRICAL VALUES ARE IN OHMS, MICROFARADS AND MICROHENRIES.
 - 2 ALL RESISTORS ARE $\pm 5\%$, 1/4 W
 - 3 ALL INTEGRATED CIRCUITS ARE SN74 SERIES
 - 4 I.C. PINS ARE GND=7, +5V=14 EXCEPT FOR:

TYPE	GND	+5V	+12V
74LS12	8	16	---
74LS13	8	16	---
74LS15	8	16	---
74LS16	8	16	---
74LS17	8	16	---
74LS18	8	16	---
74LS19	8	16	---
74LS20	8	16	---
74LS21	8	16	---
74LS22	8	16	---
74LS23	8	16	---
74LS24	8	16	---
74LS25	8	16	---
74LS26	8	16	---
74LS27	8	16	---
74LS28	8	16	---
74LS29	8	16	---
74LS30	8	16	---
74LS31	8	16	---
74LS32	8	16	---
74LS33	8	16	---
74LS34	8	16	---
74LS35	8	16	---
74LS36	8	16	---
74LS37	8	16	---
74LS38	8	16	---
74LS39	8	16	---
74LS40	8	16	---
74LS41	8	16	---
74LS42	8	16	---
74LS43	8	16	---
74LS44	8	16	---
74LS45	8	16	---
74LS46	8	16	---
74LS47	8	16	---
74LS48	8	16	---
74LS49	8	16	---
74LS50	8	16	---
74LS51	8	16	---
74LS52	8	16	---
74LS53	8	16	---
74LS54	8	16	---
74LS55	8	16	---
74LS56	8	16	---
74LS57	8	16	---
74LS58	8	16	---
74LS59	8	16	---
74LS60	8	16	---
74LS61	8	16	---
74LS62	8	16	---
74LS63	8	16	---
74LS64	8	16	---
74LS65	8	16	---
74LS66	8	16	---
74LS67	8	16	---
74LS68	8	16	---
74LS69	8	16	---
74LS70	8	16	---
74LS71	8	16	---
74LS72	8	16	---
74LS73	8	16	---
74LS74	8	16	---
74LS75	8	16	---
74LS76	8	16	---
74LS77	8	16	---
74LS78	8	16	---
74LS79	8	16	---
74LS80	8	16	---
74LS81	8	16	---
74LS82	8	16	---
74LS83	8	16	---
74LS84	8	16	---
74LS85	8	16	---
74LS86	8	16	---
74LS87	8	16	---
74LS88	8	16	---
74LS89	8	16	---
74LS90	8	16	---
74LS91	8	16	---
74LS92	8	16	---
74LS93	8	16	---
74LS94	8	16	---
74LS95	8	16	---
74LS96	8	16	---
74LS97	8	16	---
74LS98	8	16	---
74LS99	8	16	---
74LS100	8	16	---
74LS101	8	16	---
74LS102	8	16	---
74LS103	8	16	---
74LS104	8	16	---
74LS105	8	16	---
74LS106	8	16	---
74LS107	8	16	---
74LS108	8	16	---
74LS109	8	16	---
74LS110	8	16	---
74LS111	8	16	---
74LS112	8	16	---
74LS113	8	16	---
74LS114	8	16	---
74LS115	8	16	---
74LS116	8	16	---
74LS117	8	16	---
74LS118	8	16	---
74LS119	8	16	---
74LS120	8	16	---
74LS121	8	16	---
74LS122	8	16	---
74LS123	8	16	---
74LS124	8	16	---
74LS125	8	16	---
74LS126	8	16	---
74LS127	8	16	---
74LS128	8	16	---
74LS129	8	16	---
74LS130	8	16	---
74LS131	8	16	---
74LS132	8	16	---
74LS133	8	16	---
74LS134	8	16	---
74LS135	8	16	---
74LS136	8	16	---
74LS137	8	16	---
74LS138	8	16	---
74LS139	8	16	---
74LS140	8	16	---
74LS141	8	16	---
74LS142	8	16	---
74LS143	8	16	---
74LS144	8	16	---
74LS145	8	16	---
74LS146	8	16	---
74LS147	8	16	---
74LS148	8	16	---
74LS149	8	16	---
74LS150	8	16	---
74LS151	8	16	---
74LS152	8	16	---
74LS153	8	16	---
74LS154	8	16	---
74LS155	8	16	---
74LS156	8	16	---
74LS157	8	16	---
74LS158	8	16	---
74LS159	8	16	---
74LS160	8	16	---
74LS161	8	16	---
74LS162	8	16	---
74LS163	8	16	---
74LS164	8	16	---
74LS165	8	16	---
74LS166	8	16	---
74LS167	8	16	---
74LS168	8	16	---
74LS169	8	16	---
74LS170	8	16	---
74LS171	8	16	---
74LS172	8	16	---
74LS173	8	16	---
74LS174	8	16	---
74LS175	8	16	---
74LS176	8	16	---
74LS177	8	16	---
74LS178	8	16	---
74LS179	8	16	---
74LS180	8	16	---
74LS181	8	16	---
74LS182	8	16	---
74LS183	8	16	---
74LS184	8	16	---
74LS185	8	16	---
74LS186	8	16	---
74LS187	8	16	---
74LS188	8	16	---
74LS189	8	16	---
74LS190	8	16	---
74LS191	8	16	---
74LS192	8	16	---
74LS193	8	16	---
74LS194	8	16	---
74LS195	8	16	---
74LS196	8	16	---
74LS197	8	16	---
74LS198	8	16	---
74LS199	8	16	---
74LS200	8	16	---

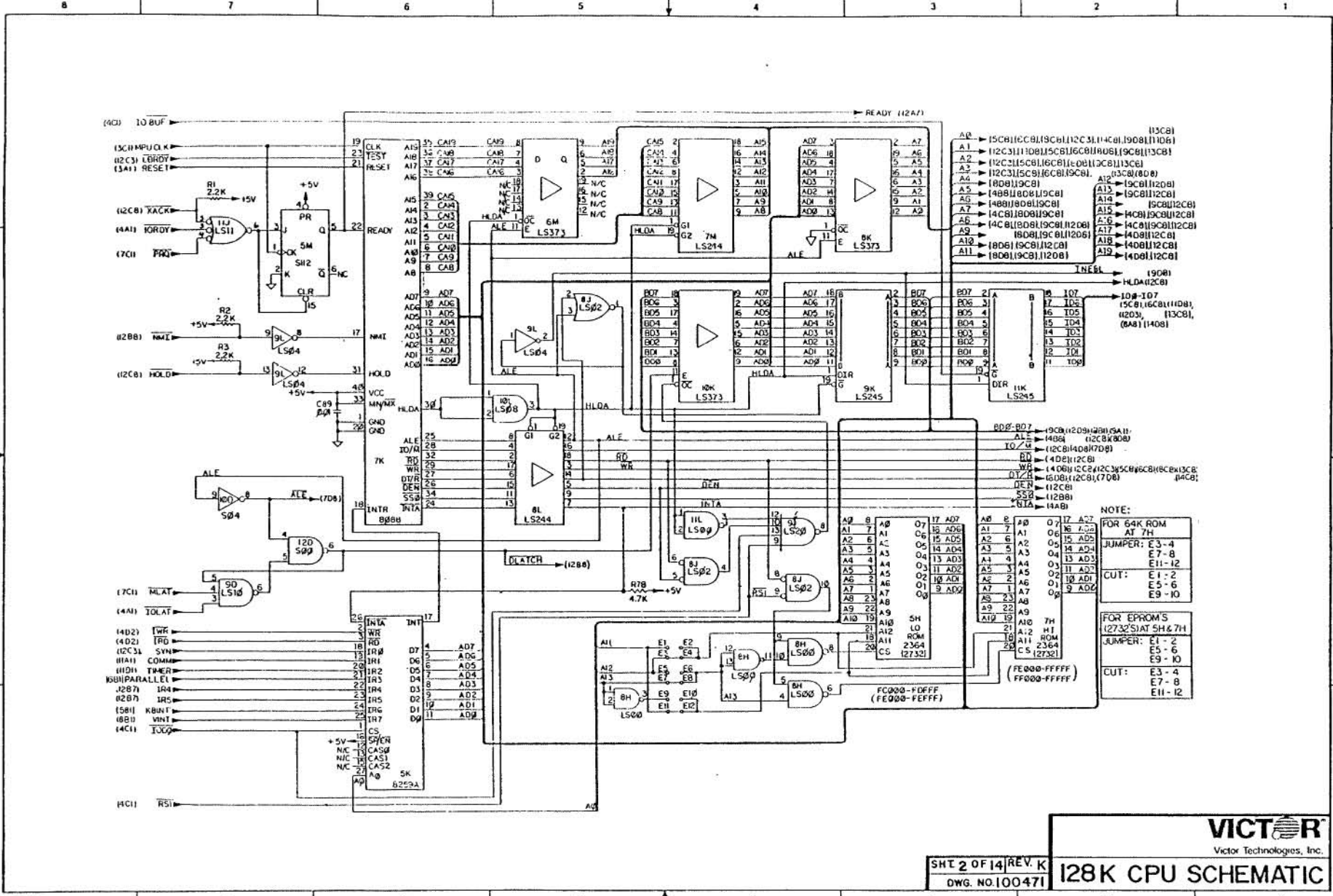


- NOT USED: J15, RESISTORS: R18,30, 31, 32,40,41,42,44,45,46,47,48,49,50,63,68, 69,43,65,67, CAPS: C13,19,20,21,22,23,24,27,154, 28,76,39, F19,20,21,22,13,14,15,16,17,18
6. FOR JUMPER CONFIGURATION FOR USE WITH EITHER PROMS IN LOCATIONS 54 & 74 OR 64K ROM IN LOCATION 74 SEE NOTE IN AREA B1 ON SHEET 2.

REFERENCE DESIGNATIONS	LAST USED	NOT USED
R78		
MEM 15		
T1		
E27		
J17		
LS		
C157		
Q5		
CR3		
LAST USED		
NOT USED		

SHT 1 OF 14 REV. K
DWG. NO. 100471

VICTOR
Victor Technologies, Inc.
128K CPU SCHEMATIC

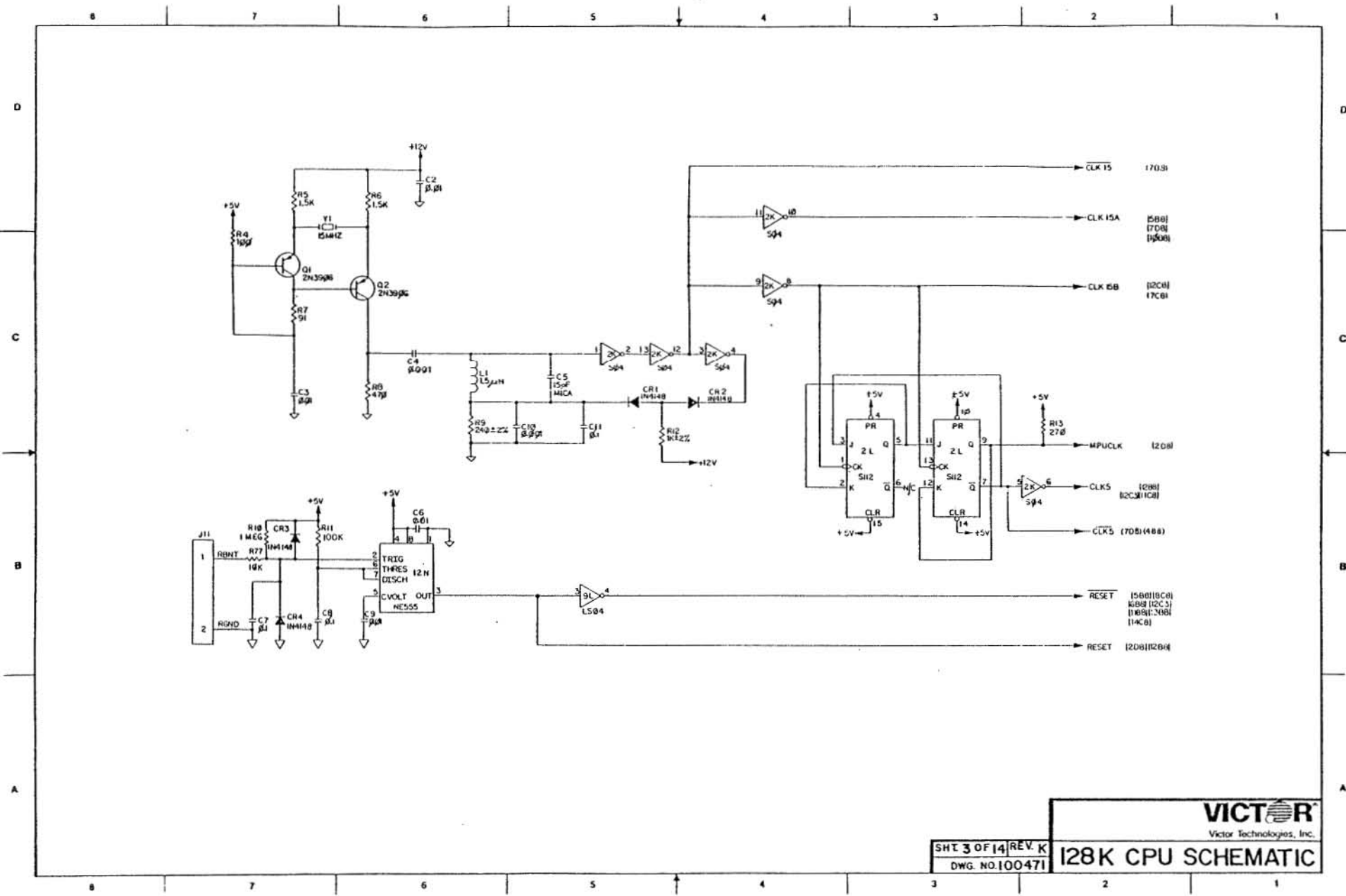


NOTE:

FOR 64K ROM	
AT 7H	
JUMPER: E3 - 4	
E7 - 8	
E11 - 12	
E1 - 2	
E5 - 6	
E9 - 10	
FOR EPROMS	
(2732) AT 5H & 7H	
JUMPER: E1 - 2	
E5 - 6	
E9 - 10	
E3 - 4	
E7 - 8	
E11 - 12	

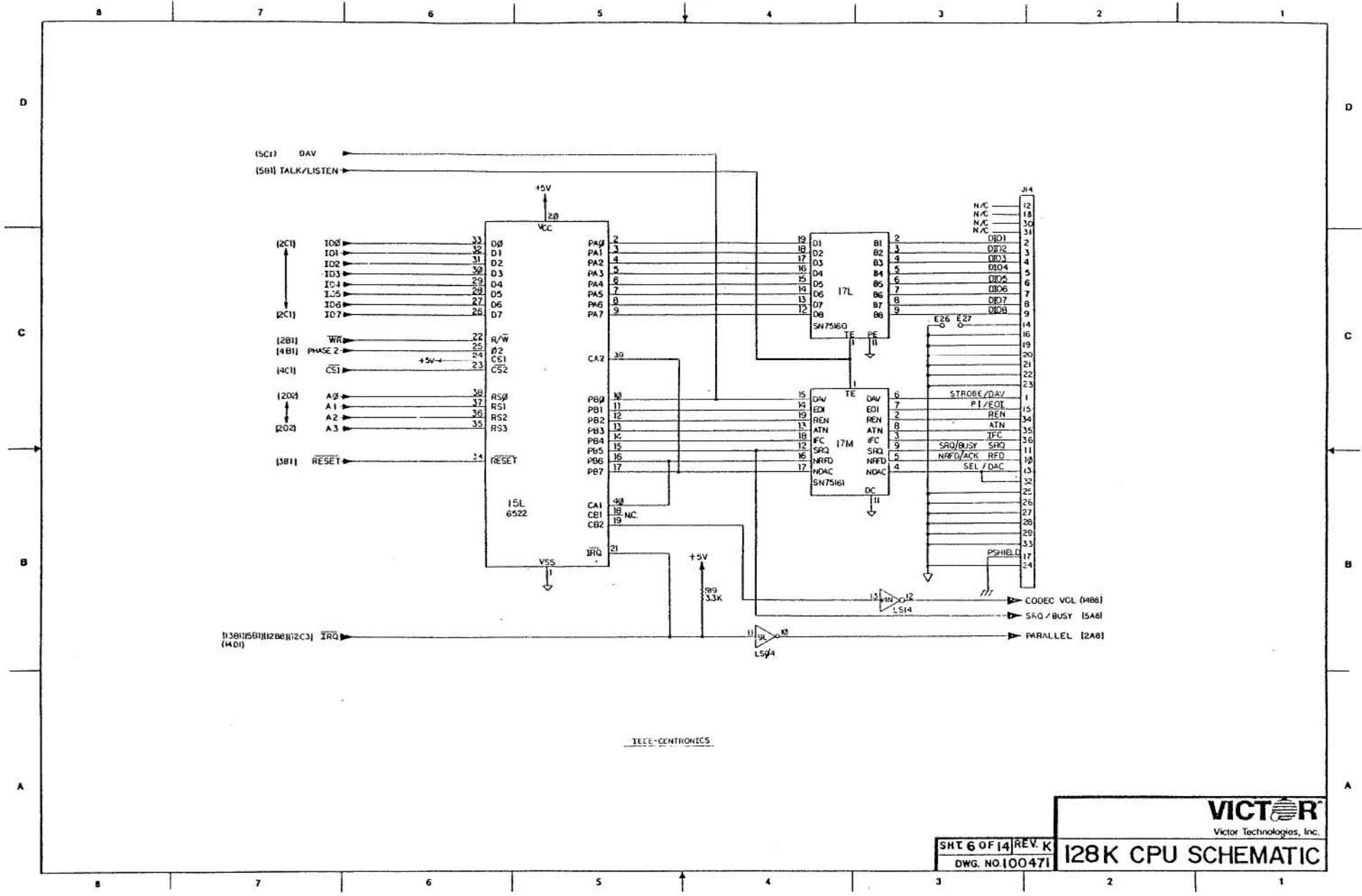
SHT 2 OF 14 REV. K
DWG. NO. 100471

VICTOR
Victor Technologies, Inc.
128K CPU SCHEMATIC



SHT 3 OF 14 REV. K
DWG. NO. 100471

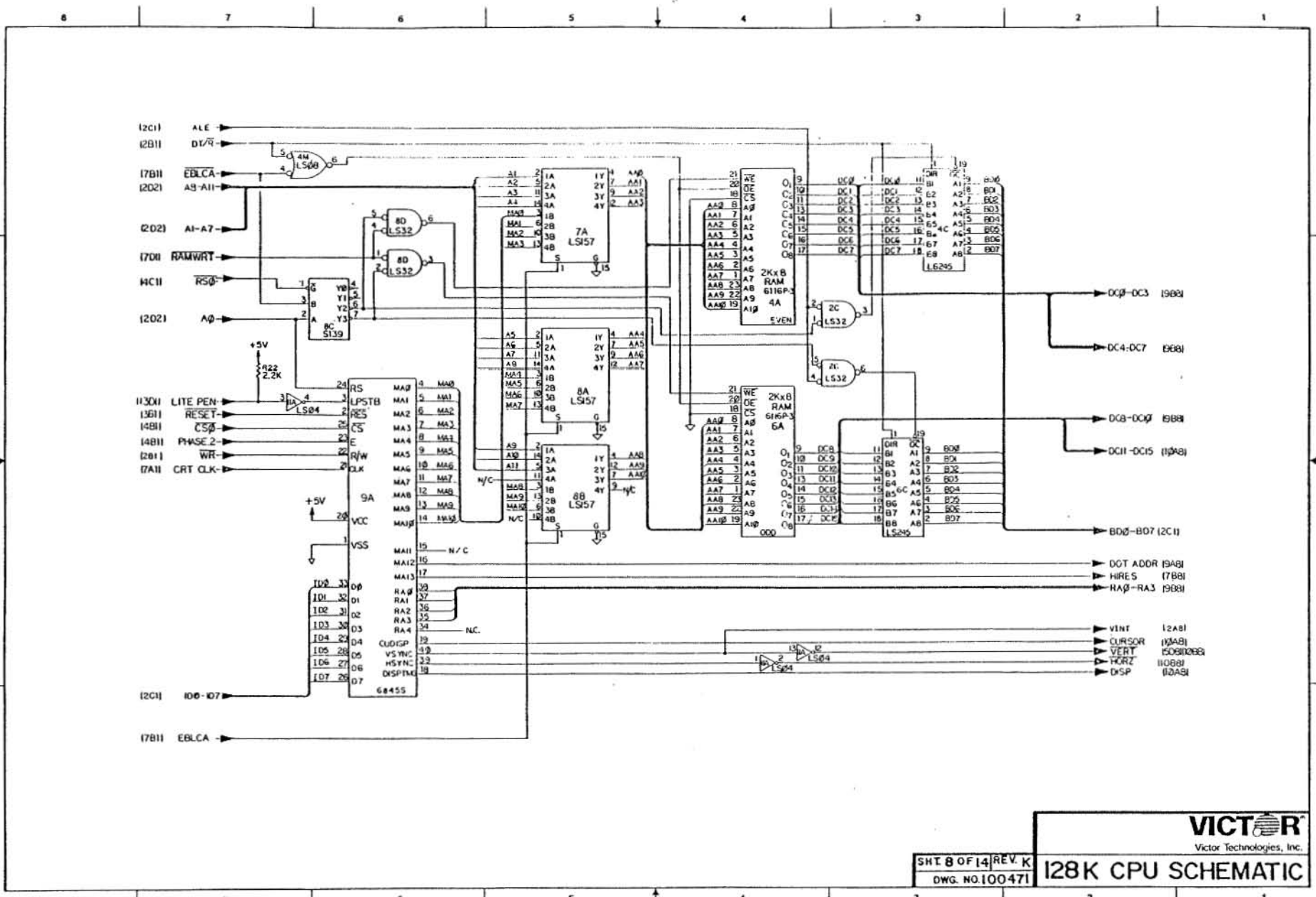
VICTOR
Victor Technologies, Inc.
I28K CPU SCHEMATIC



IEEE-CENTRONICS

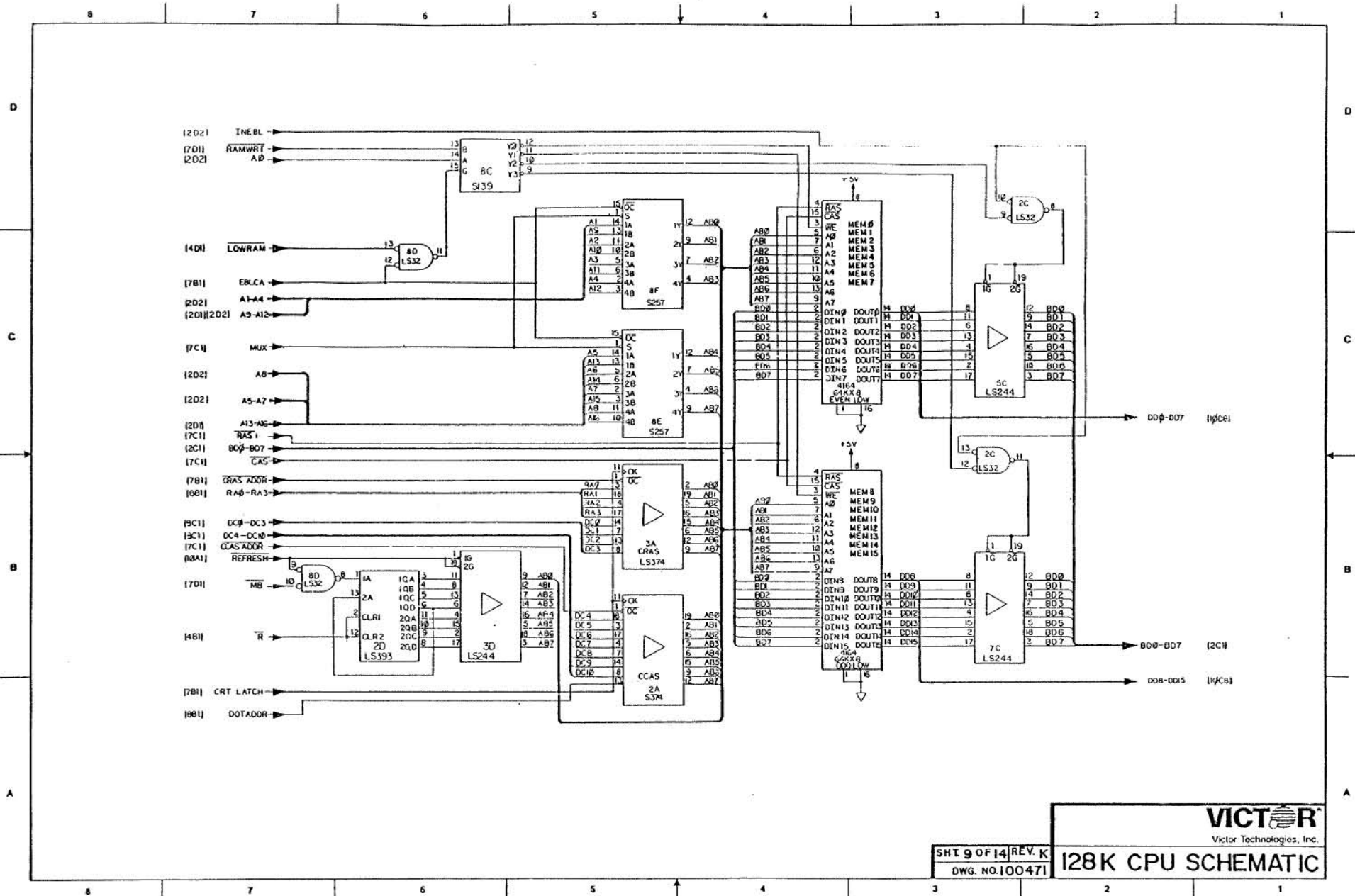
SHT 6 OF 14 REV. K
DWG. NO. 100471

VICTOR
Victor Technologies, Inc.
I28K CPU SCHEMATIC



SHT 8 OF 14 REV. K
DWG. NO. 100-471

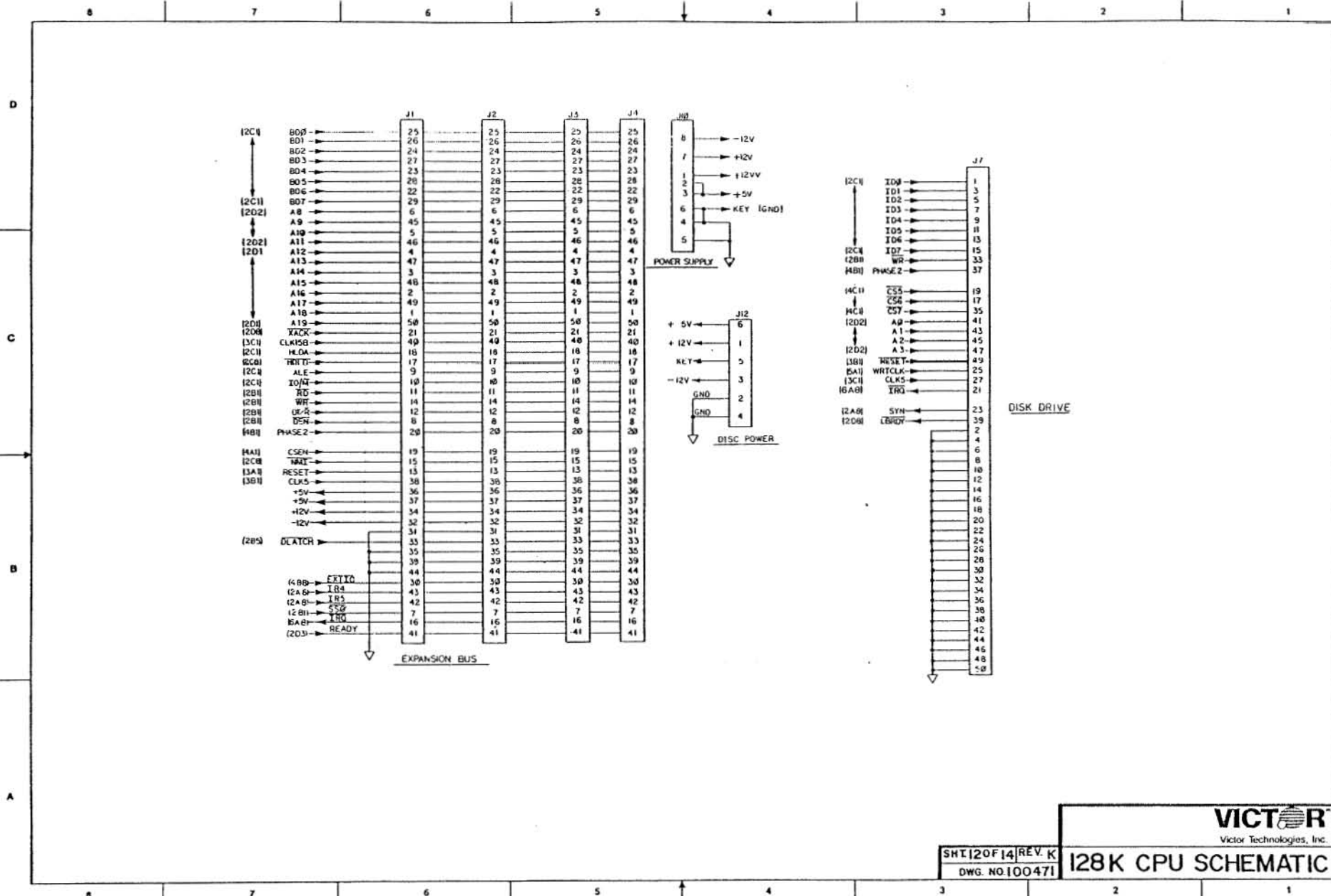
VICTOR
Victor Technologies, Inc.
128K CPU SCHEMATIC

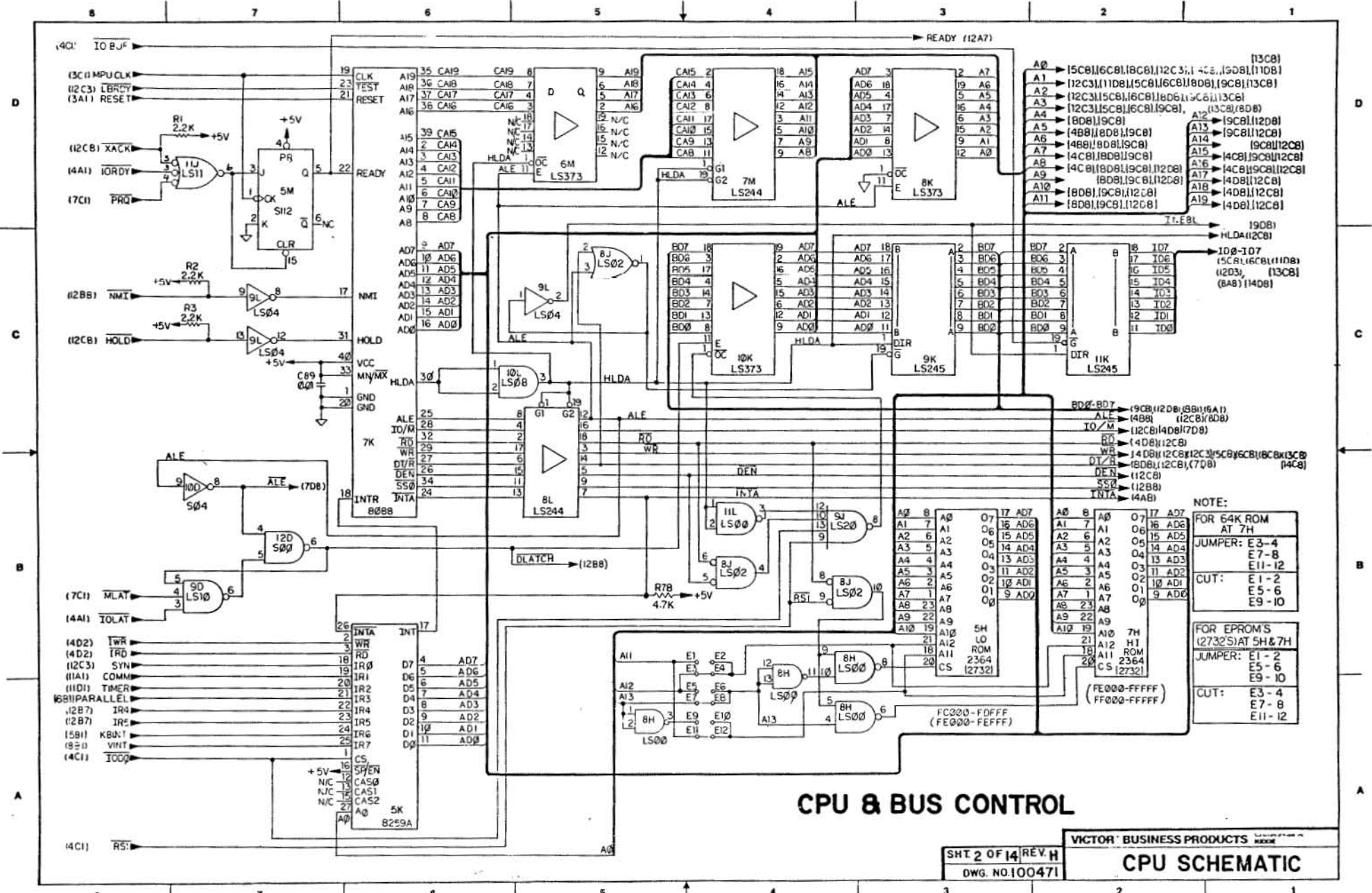


VICTOR
Victor Technologies, Inc.

SHT 9 OF 14 REV. K
DWG. NO. 100471

128K CPU SCHEMATIC





NOTE:

FOR 64K ROM
AT 7H
JUMPER: E3-4
E7-8
E11-12

CUT: E1-2
E5-6
E9-10

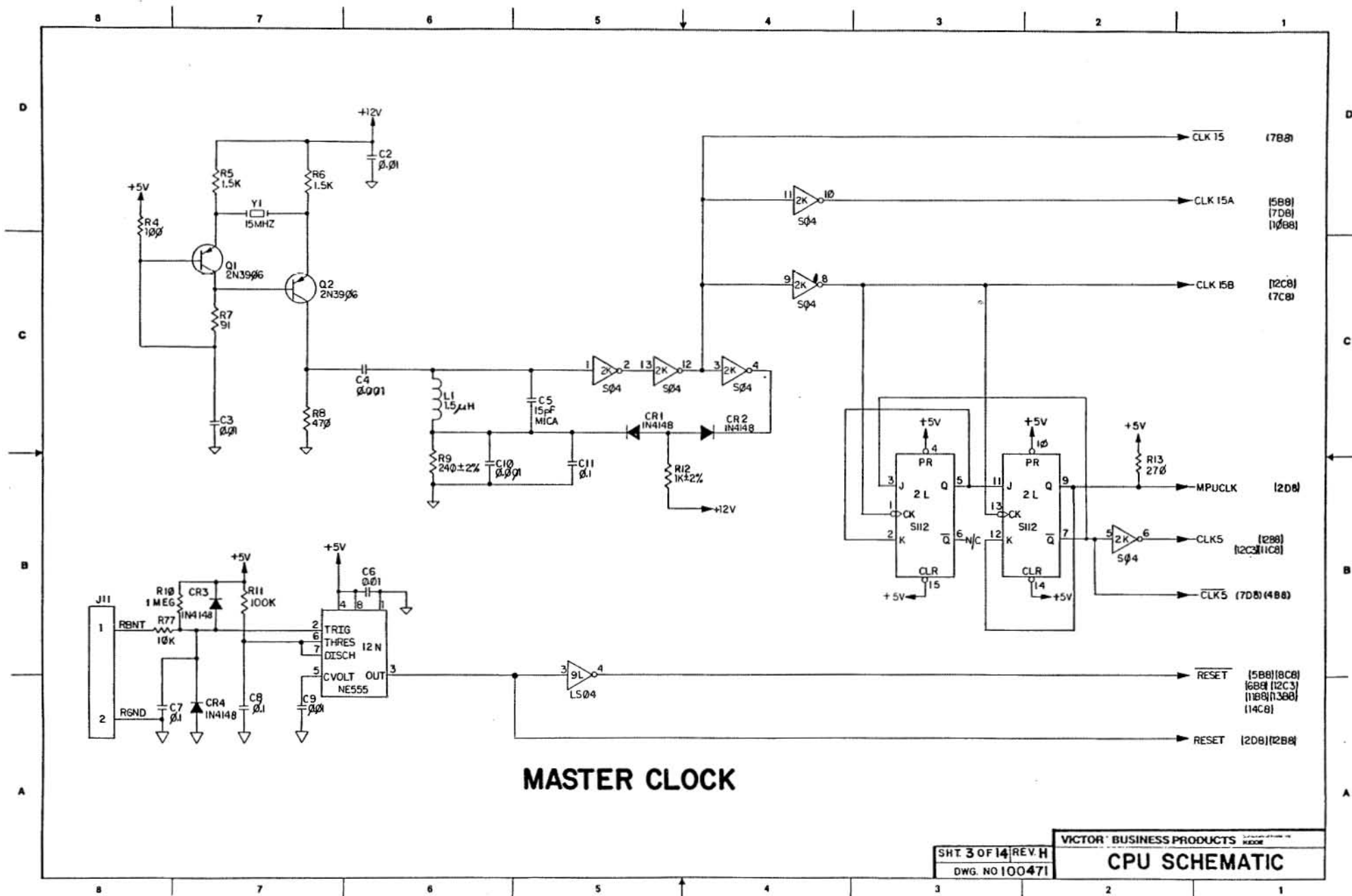
FOR EPROMS
(2732'S) AT 5H & 7H
JUMPER: E1-2
E5-6
E9-10

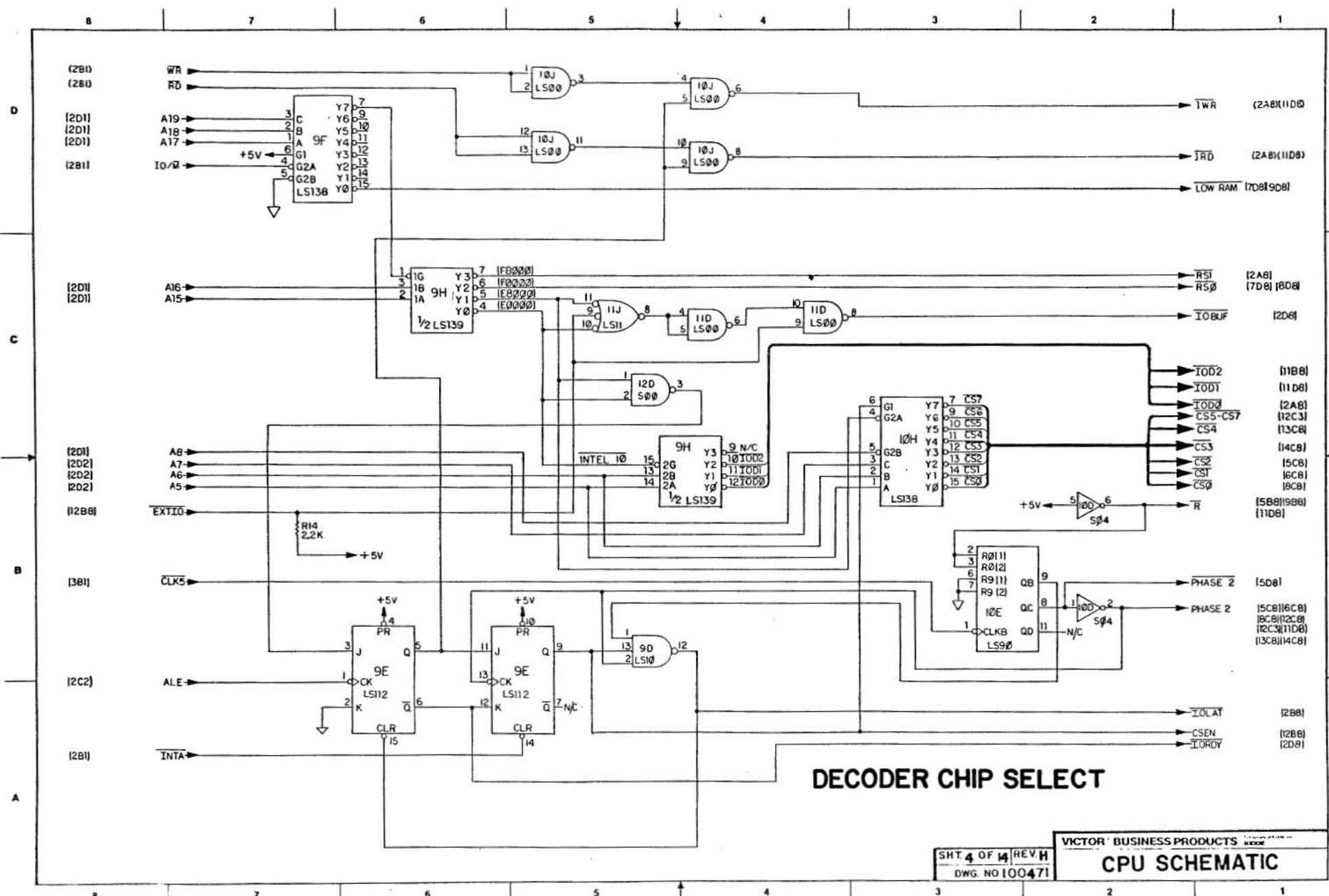
CUT: E3-4
E7-8
E11-12

CPU & BUS CONTROL

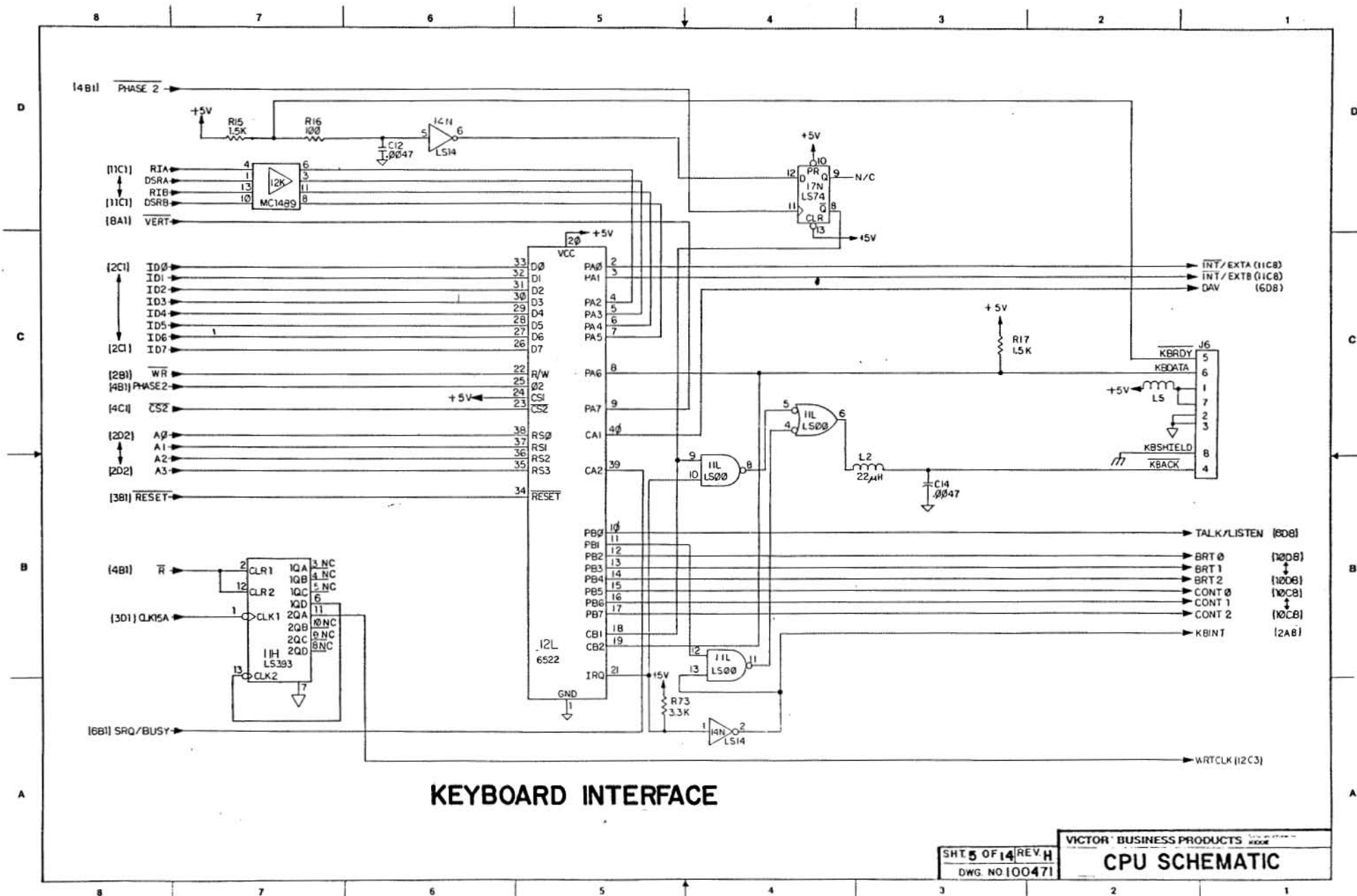
SHT 2 OF 14 REV. H
DWG. NO. 100471

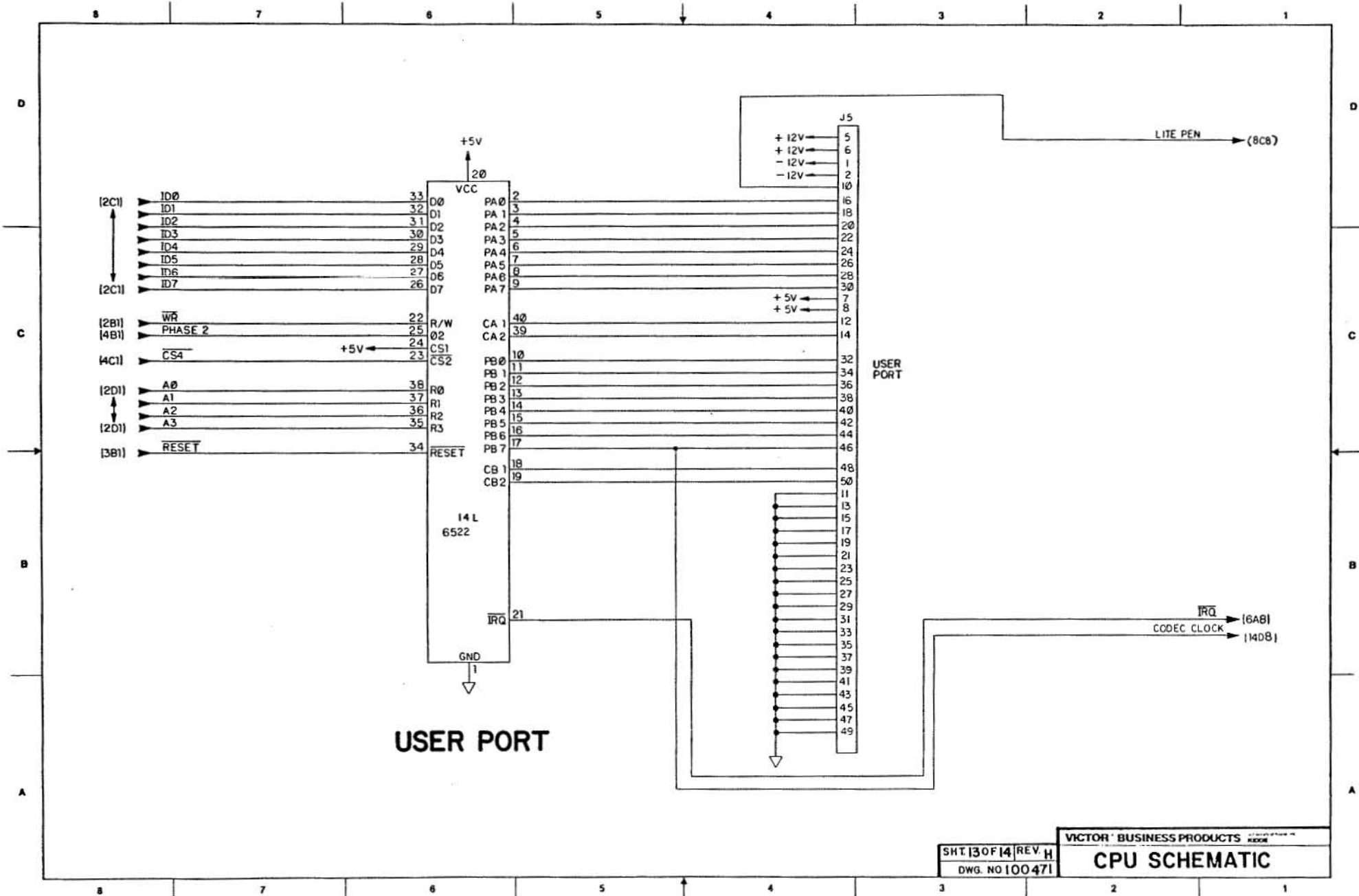
VICTOR BUSINESS PRODUCTS
CPU SCHEMATIC





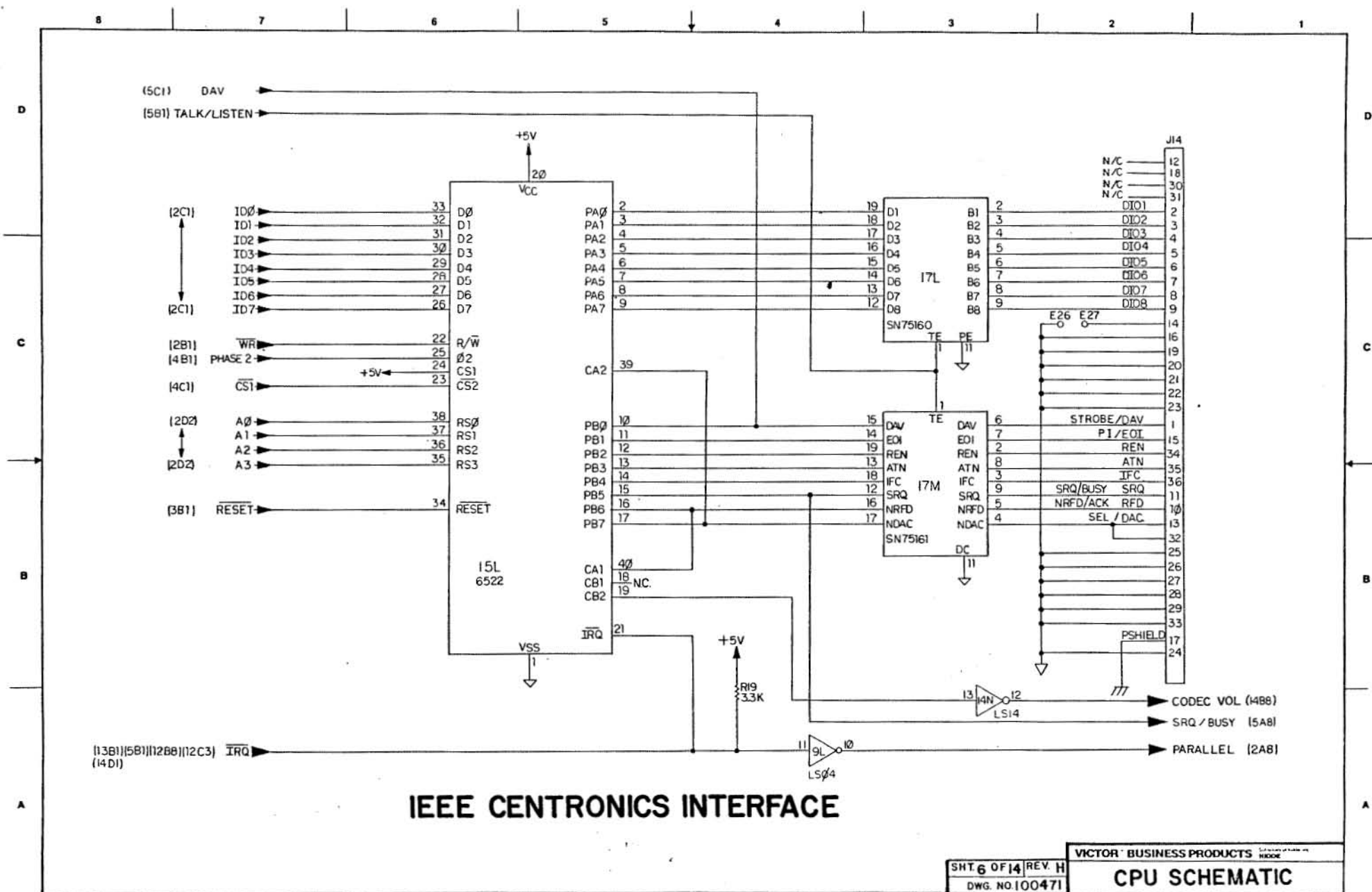
DECODER CHIP SELECT

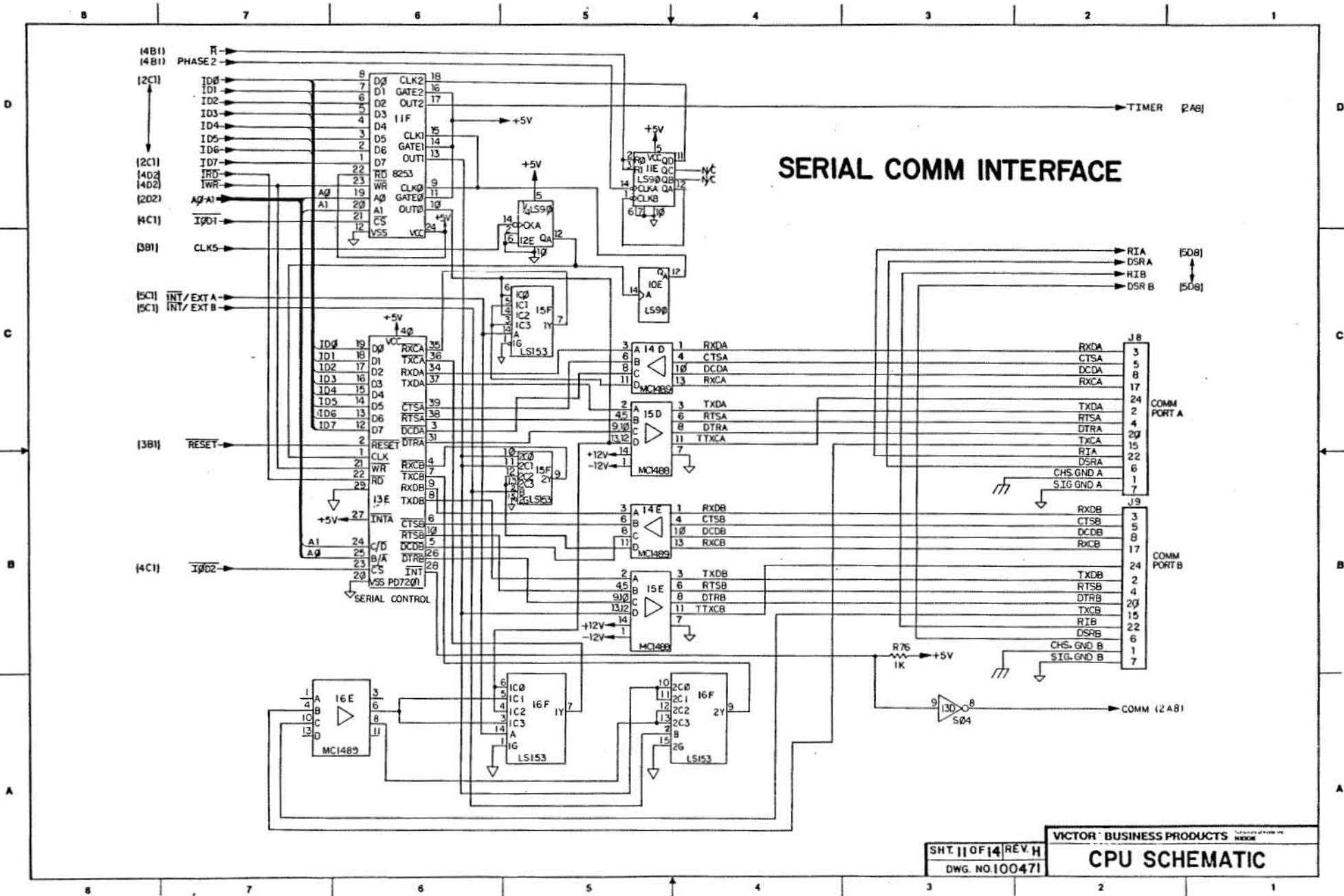




SHT 13 OF 14 REV. H
DWG. NO 100471

VICTOR BUSINESS PRODUCTS
CPU SCHEMATIC

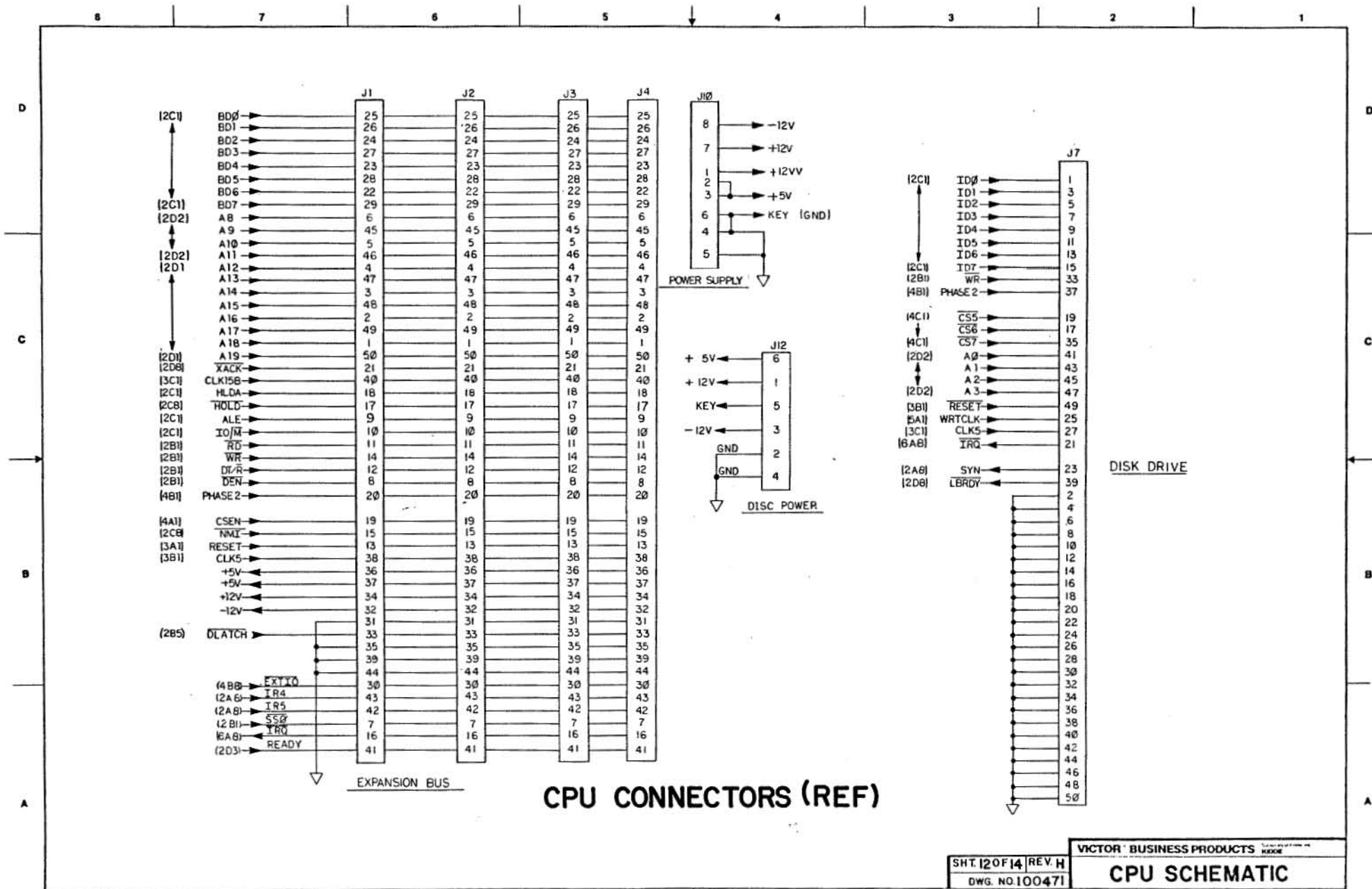


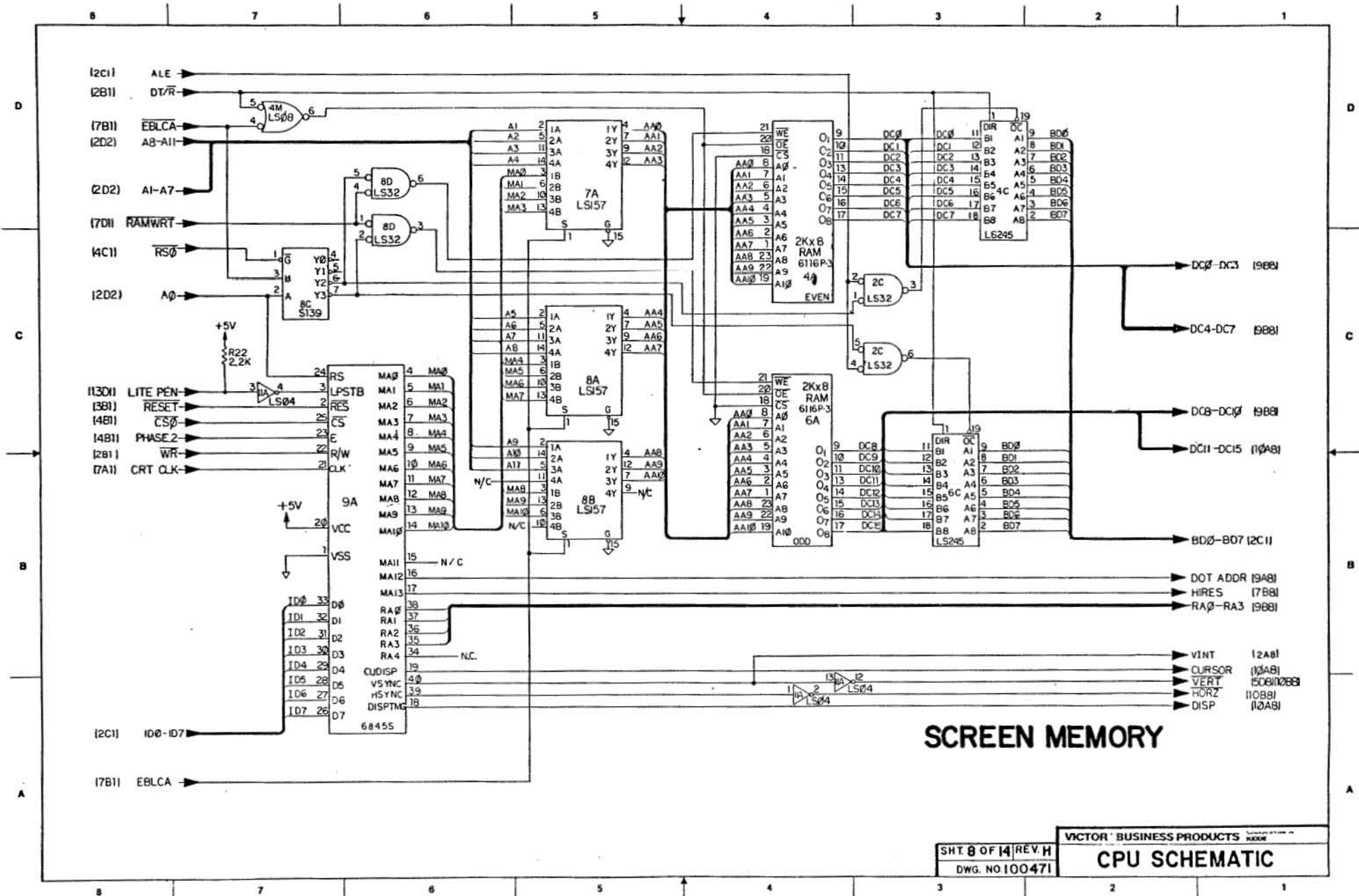


SERIAL COMM INTERFACE

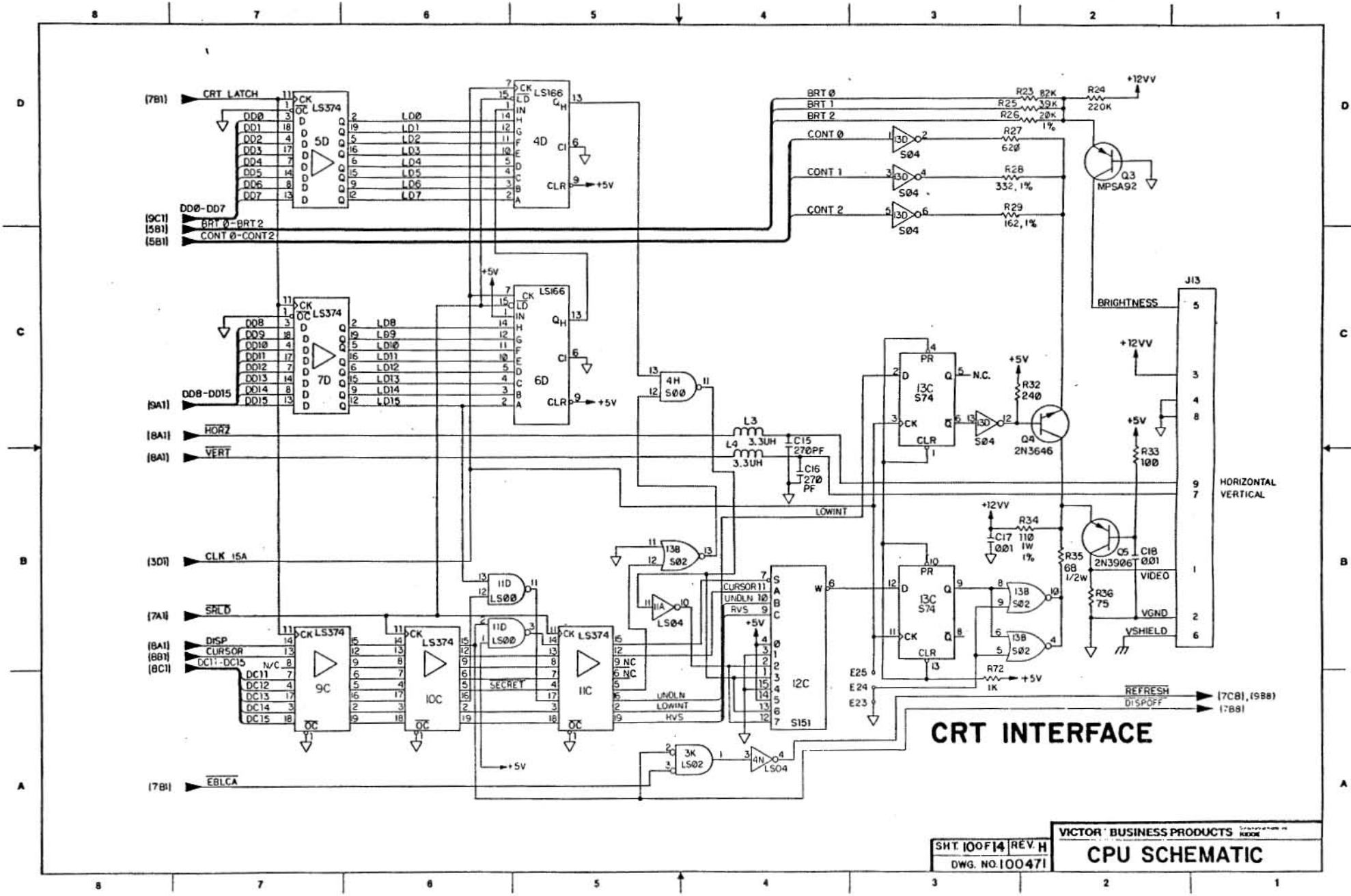
SHT. 11 OF 14 REV. H
DWG. NO. 100471

VICTOR BUSINESS PRODUCTS
CPU SCHEMATIC



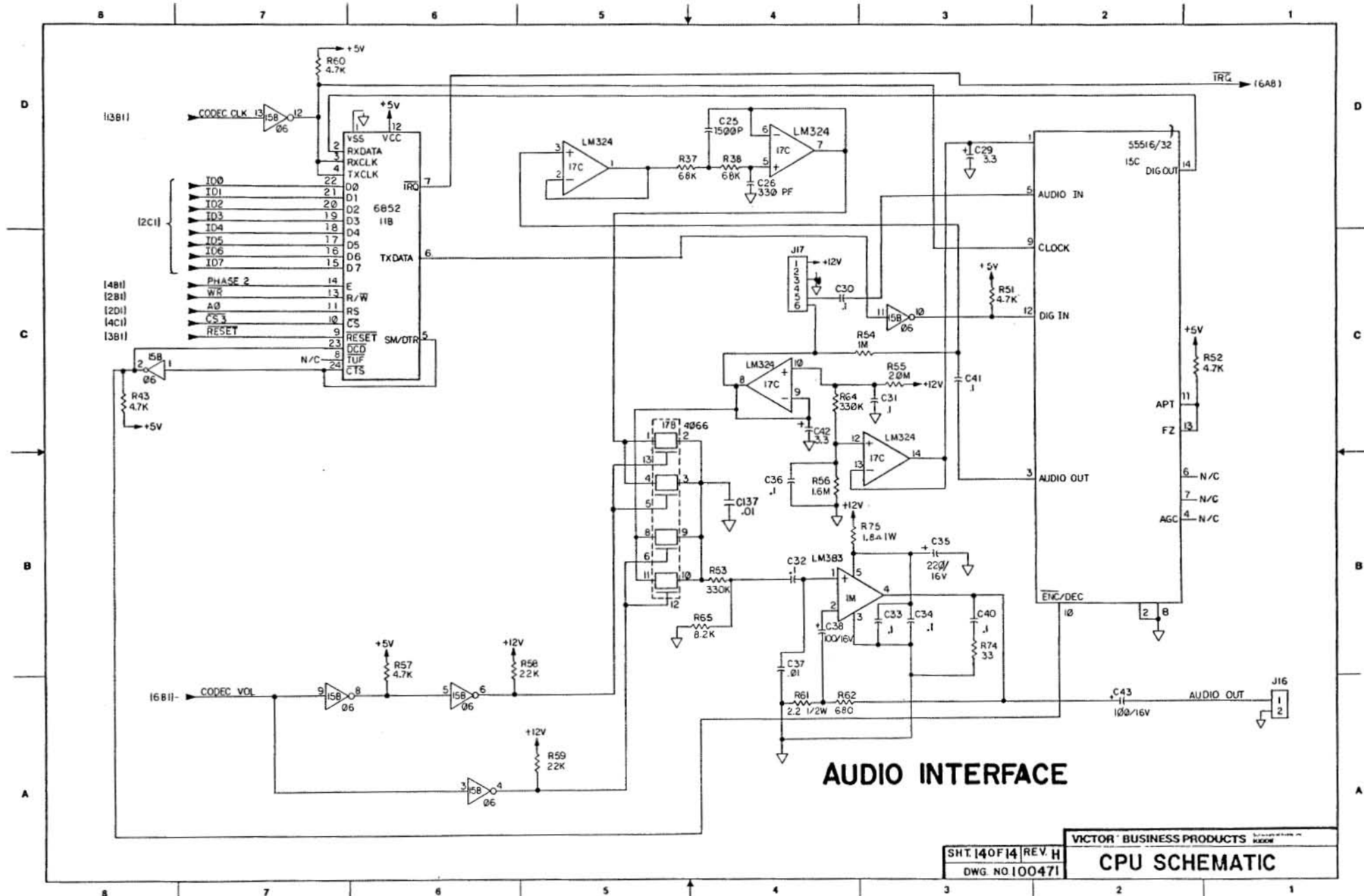


SCREEN MEMORY

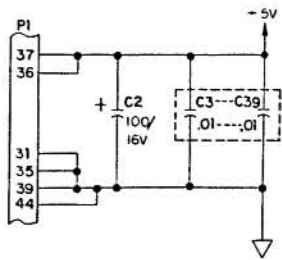


SHT 100F14 REV. H
 DWG. NO. 100471

VICTOR BUSINESS PRODUCTS
 CPU SCHEMATIC



AUDIO INTERFACE

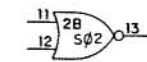


POWER & SPARES

NOTES: UNLESS OTHERWISE SPECIFIED

1. ELECTRICAL VALUES ARE IN OHMS, MICROFARADS, AND MICROHENRIES.
2. ALL RESISTORS ARE $\pm 5\%$, 1/4W
3. ALL INTEGRATED CIRCUITS ARE SN74 SERIES.
4. IC PINS ARE , GND = 7, +5V = 14

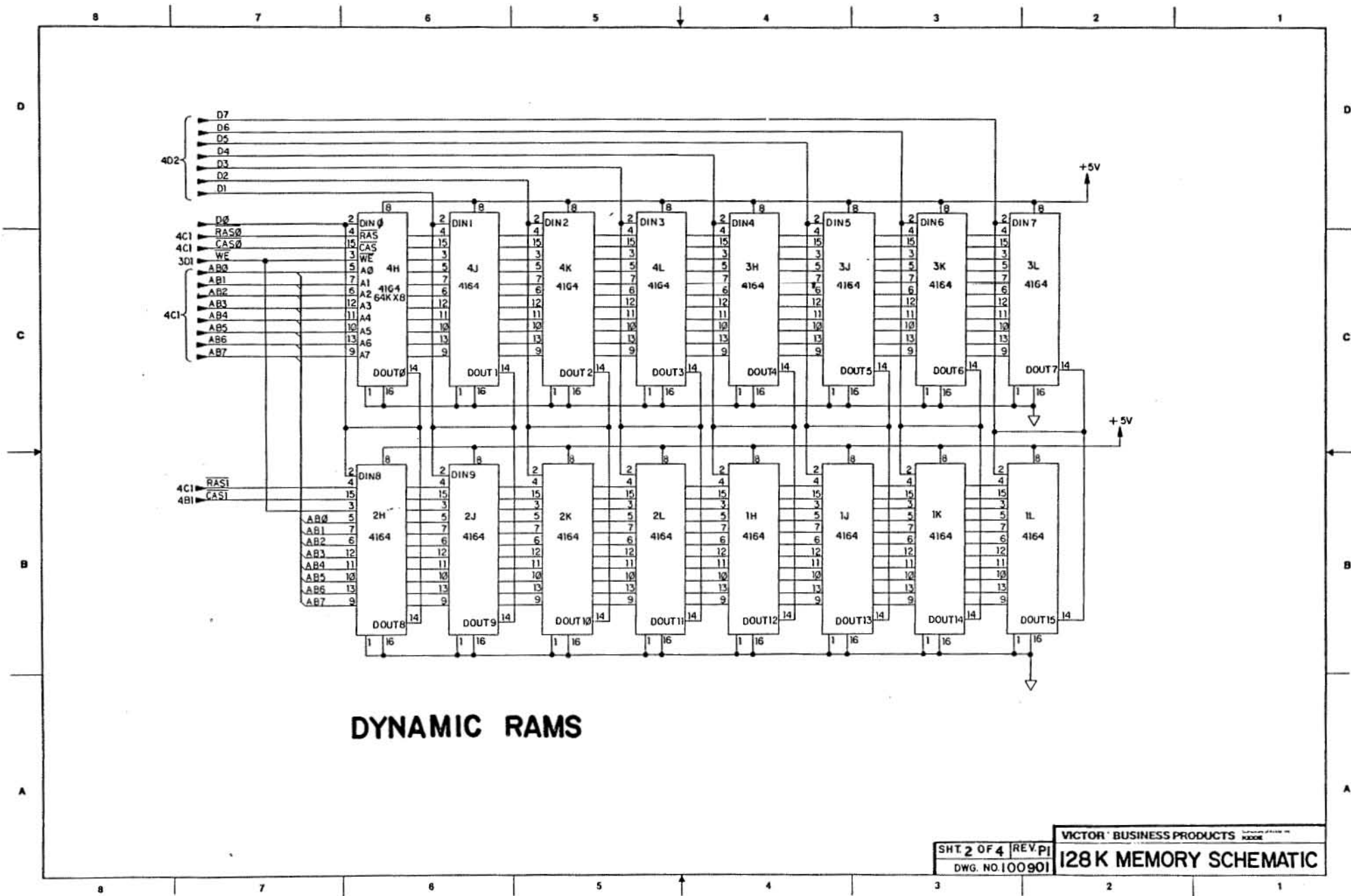
IC TYPE	GND	+ 5V
74LS138	8	16
74LS139	8	16
74LS153	8	16
74LS157	8	16
74LS174	8	16
74LS175	8	16
74LS245	10	20
74LS373	10	20
4164	16	8



SPARE GATES

SHT. 1 OF 4 REV. PI
DWG. NO. 100901

VICTOR BUSINESS PRODUCTS
128K MEMORY SCHEMATIC



DYNAMIC RAMS

