

4 REF COMPOWER CORP. CP-5102 SCHEMATIC, DWG NO 90017

1 CUT FOR 220V OPERATION

2 ALL RESISTORS ARE $\pm 5\%$, 1/4W.

1. ELECTRICAL VALUES ARE IN OHMS, MICROFARADS AND MICROHENRIES.

SHT. 1 OF 1 REV. P1
DWG. NO 100701

VICTOR BUSINESS PRODUCTS
PWR. SUPPLY SCHEMATIC

APPENDIX B

B.1

Victor 9000 Keyboard Layout

Legend:

Shaded region indicates unused key switch

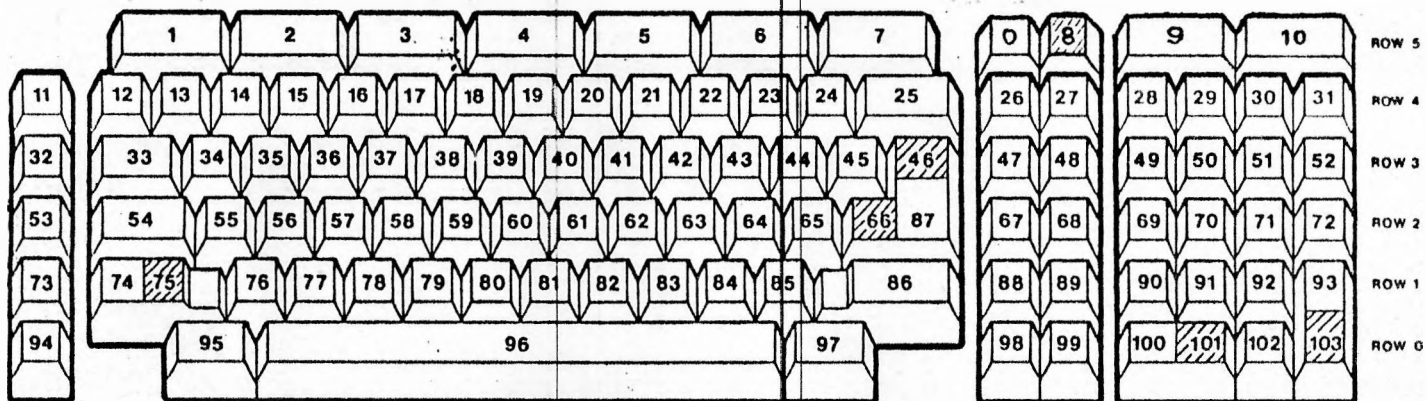
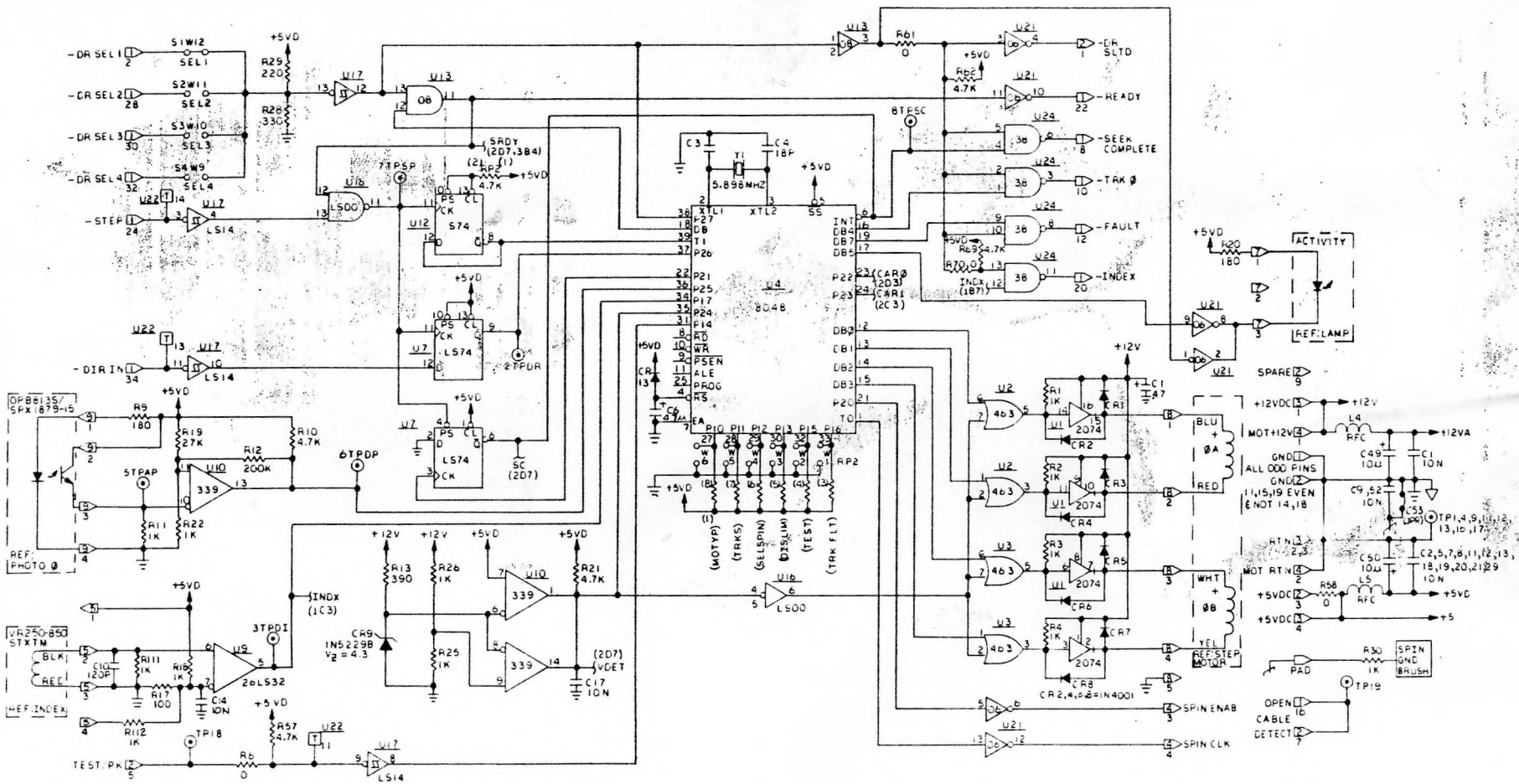


Figure 2
Victor 9000 Keyboard Configuration
 with Key Switch Positions and Logical Key Numbers



6. \square DENOTES CONNECTOR JX, PIN Y.

8. INDUCTORS ARE IN OHMS.

9. UNVALUED COMPONENTS ARE OMITTED.

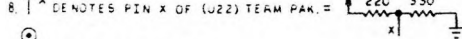
3. CAPS ARE IN PF, NF, OR μ F, 25V MIN. TOLERANCE IS 10% FOR μ -VALUES ABOVE 1K, 5% OTHERWISE.

2. R RESISTORS ARE 1/8W.

1. RESISTORS ARE IN OHMS, 1/4W 5%.

9. UNVALUED COMPONENTS ARE OMITTED.

8. \square DENOTES PIN X OF (U22) TEAM PAK. = $\frac{220}{330}$



7. T DENOTES TEST POINT.

Tandon CORPORATION
 CONTROL AND DATA
 CIRCUIT BOARD SCHEMATIC
 187340-001 REV L
 SHEET 1 OF 3

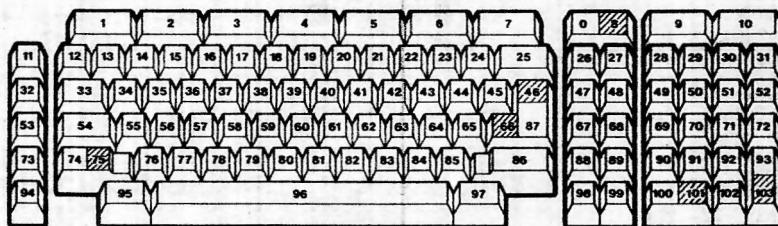
DIFFERENCES BETWEEN STANDARD KEYBOARDS

B

Logical Key Numbers for Standard Portable Keyboards

8	12	1	2	3	4	5	6	7	0	9	10	47	48	32	53	73	94		
11	13	14	15	16	17	18	19	20	21	22	23	24	25	26	27	28	29	30	31
33	34	35	36	37	38	39	40	41	42	43	44	45		67	68	49	50	51	52
54	55	56	57	58	59	60	61	62	63	64	65	66	68	69	70	71	72		
74	76	77	78	79	80	81	82	83	84	85	86	88	89	90	91	92			93
95						96						97	89	100	102				

Logical Key Numbers for Standard S1/V9000 Keyboards



1

5AMP

LOAD RESISTORS

330V

1.29V

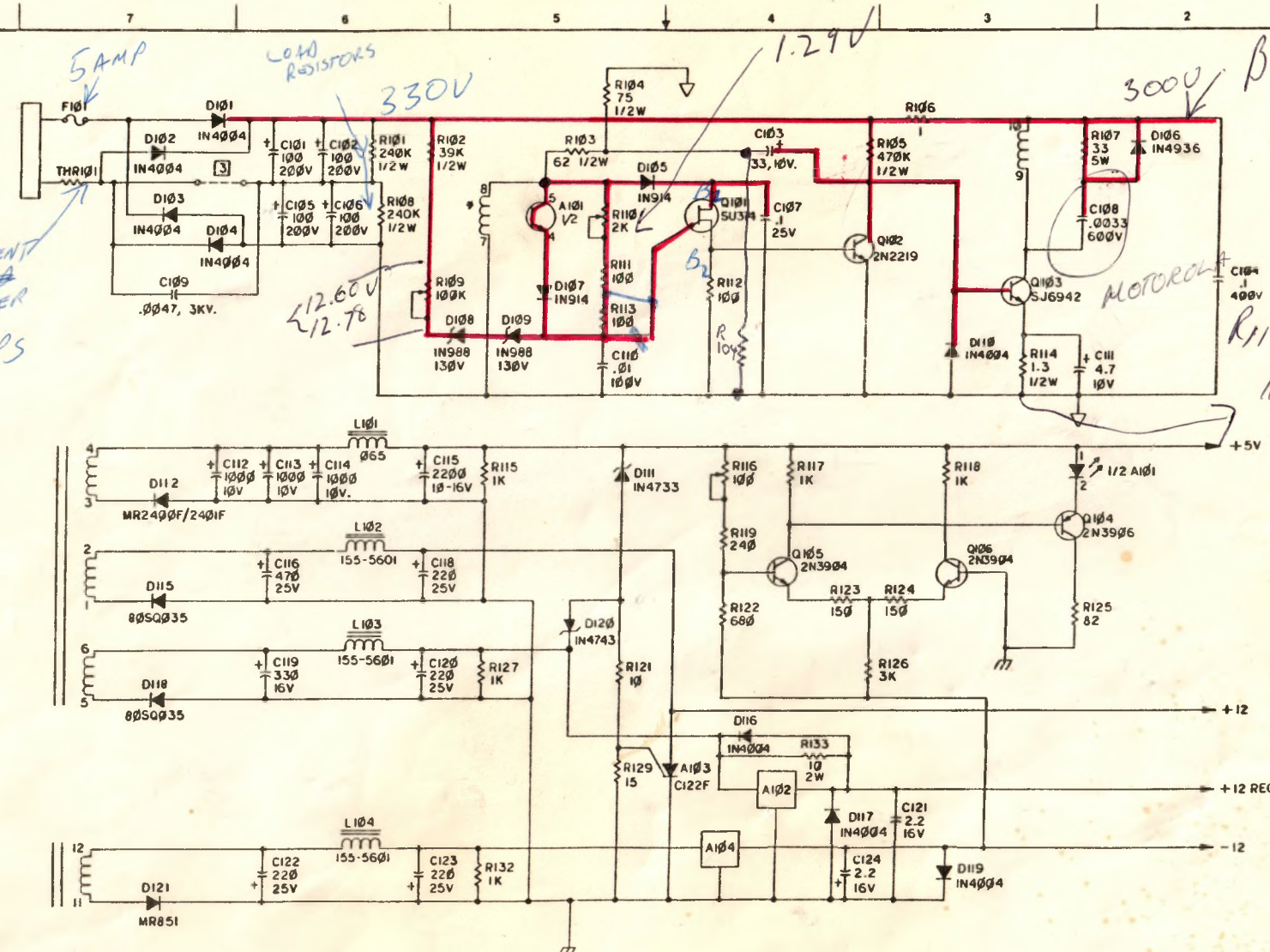
300V BEMF

CURRENT LIMITER FOR CAPS

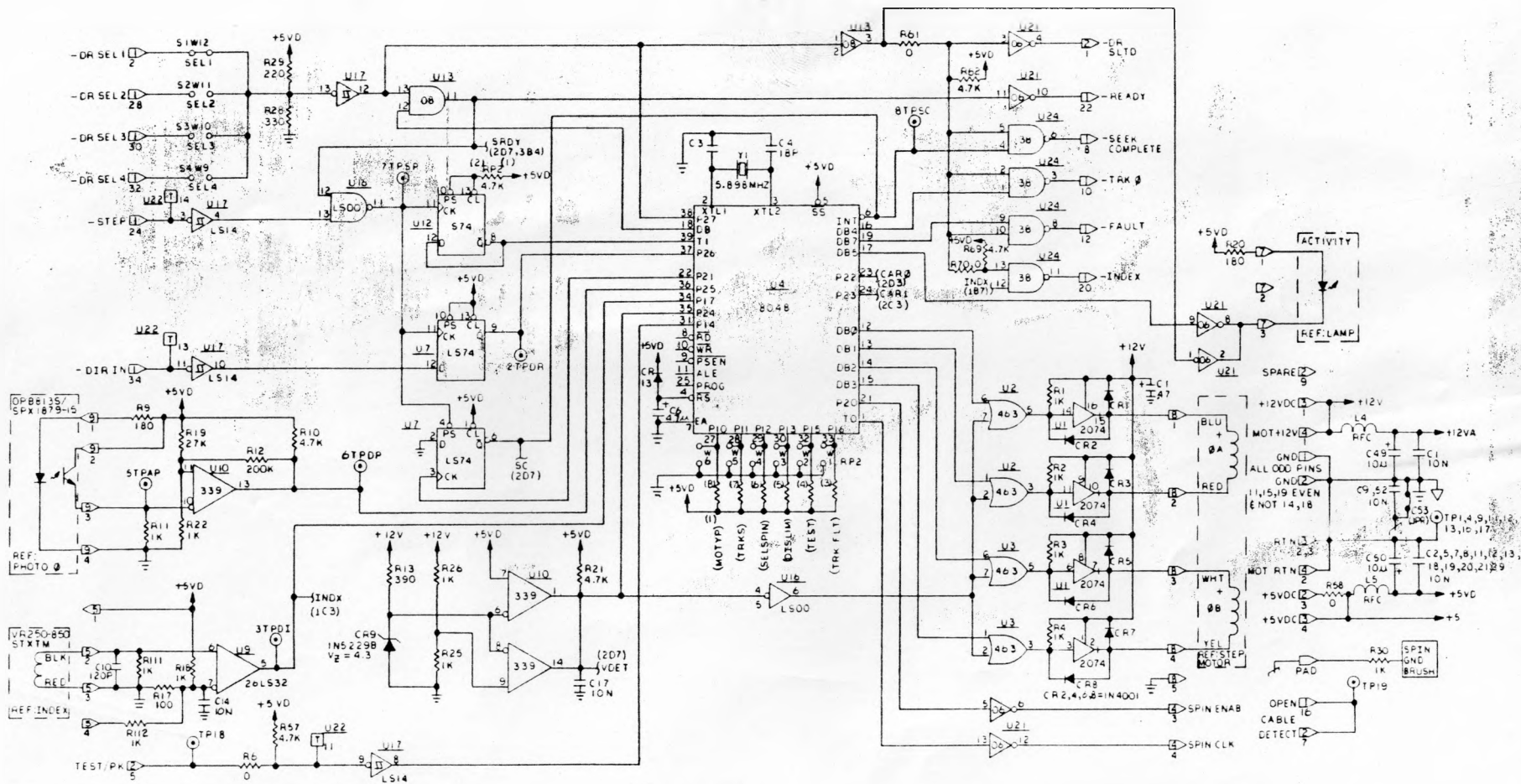
12.60V
12.78

MOTOROLA

R114 KEEP 103 FROM SATURATION



- 4 REF COMPOWER CORP., CP-5102 SCHEMATIC, DWG NO 90017
- 3 CUT FOR 220V OPERATION
- 2. ALL RESISTORS ARE ±5%, 1/4W.
- 1. ELECTRICAL VALUES ARE IN OHMS, MICROFARADS AND MICROHENRIES.



6 X DENOTES CONNECTOR JX, PIN Y.

5 INDUCTORS ARE IN OHMS, 10%.
 4 DIODES ARE 1N4400 OR EQUIV.

3 CAPS ARE IN PF, NF, OR UF, 25V MIN. TOLERANCE IS 10% FOR VALUES ABOVE 1N, 5% OTHERWISE.

2 RESISTORS ARE 1/8W.

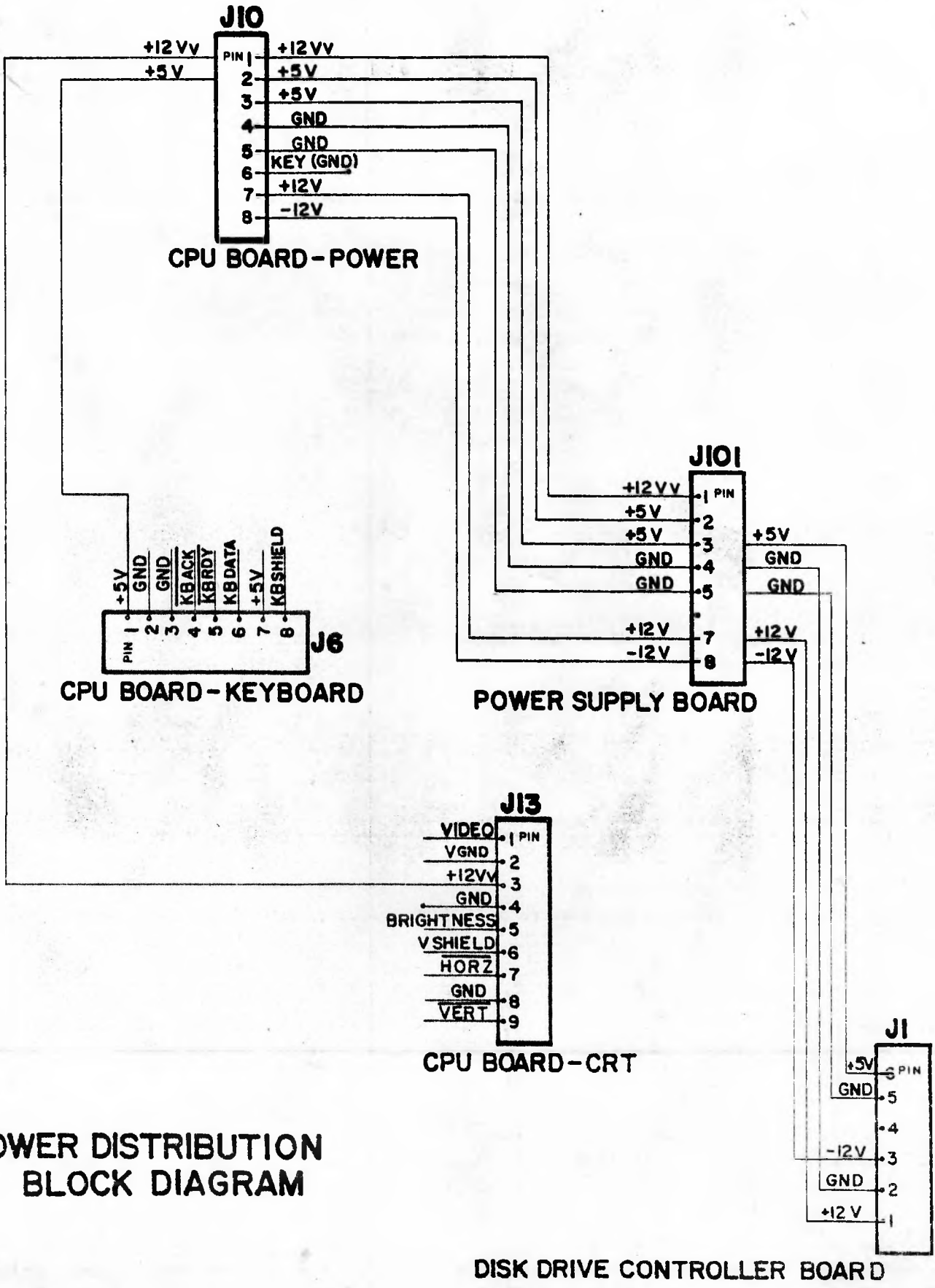
1 RESISTORS ARE IN OHMS, 1/4W 5%.

9 UNVALUED COMPONENTS ARE OMITTED.

8 X DENOTES PIN X OF (U22) TERM PAK = $\frac{220}{330}$

7 | DENOTES TEST POINT.

Tandon CORPORATION
 CONTROL AND DATA
 CIRCUIT BOARD SCHEMATIC
 187340-001 REV L
 SHEET 1 OF 3



**POWER DISTRIBUTION
BLOCK DIAGRAM**

DISK DRIVE CONTROLLER BOARD