

© WebTV Networks, Inc. 1997			
<small>This document contains privileged or otherwise legally protected information. Disclosure of this information to anyone other than the recipient is not authorized. You may not read, copy, or otherwise use this document unless you are an authorized representative of a named recipient.</small>		BLOCK	REVISION: 0.0
			PAGE: 2 of 3
SET: LC2	BLOCK: TOP	DATE:	
ENGINEER: SLEATOR	APPROVED:		SET
			REVISION: 7.0
			PAGE: 2 of 34

DRAWING
 TITLE=LC2
 ABBREV=LC2
 LAST_MODIFIED=Thu Sep 25 22:40:11 1997

ISA CONTROL FUNCTIONS ON RIO_DATA LINES:

Data<31> MEMR
 Data<30> MEMW
 DATA<29> ALT_THINGY

Exp Control functions on RIO_DATA lines:

DATA<22> RAS_N
 Data<21> CAS_N
 DATA<20> WE_N
 Data<19..16> EXP_BEN_N<3..0>

RIO_DINT<3..0> MAPPING

0 MODEM
 1 DISK
 2
 3

GPIO MAP

• GPIO<15>	RFU_ENAB	
• GPIO<14>	SYS_AUD_MUTE	
• GPIO<13>	VID_RESET_N	
• GPIO<12>	AUD_MIF_SEL	
• GPIO<11>	DAA_LSTAT	
• GPIO<10>	DAA_SNOOP_N	
• GPIO<9>	DAA_RING_DET	
• GPIO<8>	TUNER_APT_IN	
• GPIO<7>	TUNER_APT_OUT	
• GPIO<6>	SVVIDEO_SENSE	
• GPIO<5>	SYS_AUD_CS_N	
• GPIO<4>	DEL_PWR_OK	
• GPIO<3>	SYS_AUD_CLK	
• GPIO<2>	SYS_AUD_DATA	
• GPIO<1>	DAA_HOOKSW_N	MOD_RESET_N
• GPIO<0>		

* On Solo 1.0, GPIO<6..0> are 5V-tolerant.
 GPIO<15..7> are NOT 5V-tolerant.

** On Solo 1.0, GPIO<11> is no longer GP. It is now a dedicated pin.

Ⓐ DAA_HOOKSW_N, DAA_LSTAT, DAA_SNOOP_N, and DAA_RING_DET:
 GPIO's needed only for soft modem.

Ⓑ MOD_RESET_N needed only for hard modem.

Video Digitizer GPIO Usage:

OUT<0>: Not Used
 OUT<1>: Not Used
 OUT<2>: Not Used
 OUT<3>: Not Used

IN<0>: Microphone Sense
 IN<1>: IR LED Sense
 IN<2>: Not Used
 IN<3>: Not Used

Video digitizer Y channel input selection:

0: Tuner
 1: Line Input
 2: Not Used
 3: Not Used

© WebTV Networks, Inc. 1997

This document contains privileged or otherwise legally protected information. Disclosure of this information to anyone other than the recipient is not authorized. You may not read, copy, or otherwise use this document unless you are an authorized representative of a named recipient.

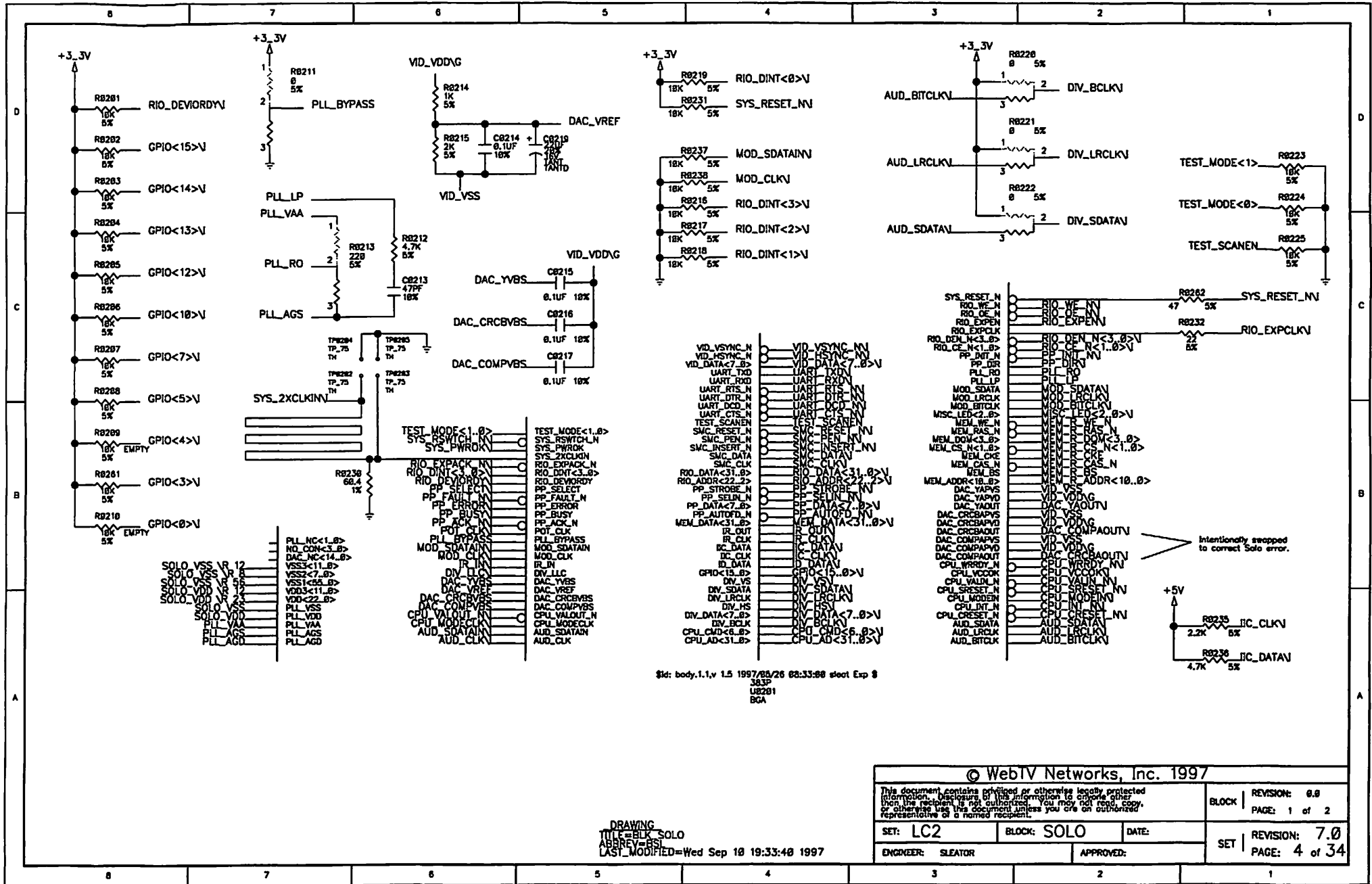
BLOCK | REVISION: 0.0
 PAGE: 3 of 3

SET: LC2 | BLOCK: TOP | DATE:

SET | REVISION: 7.0
 PAGE: 3 of 34

ENGINEER: SLEATOR | APPROVED:

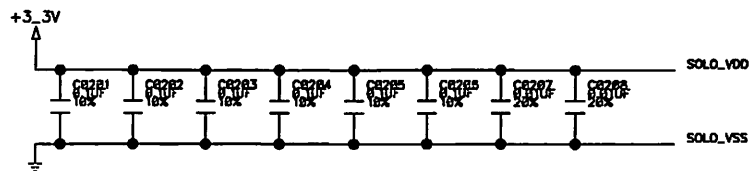
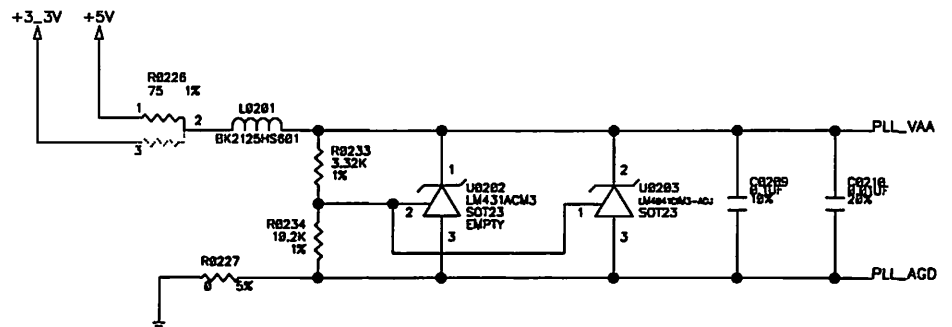
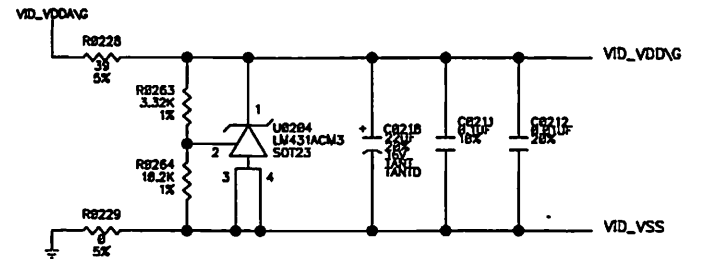
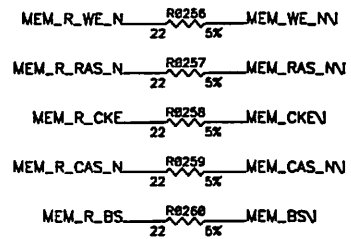
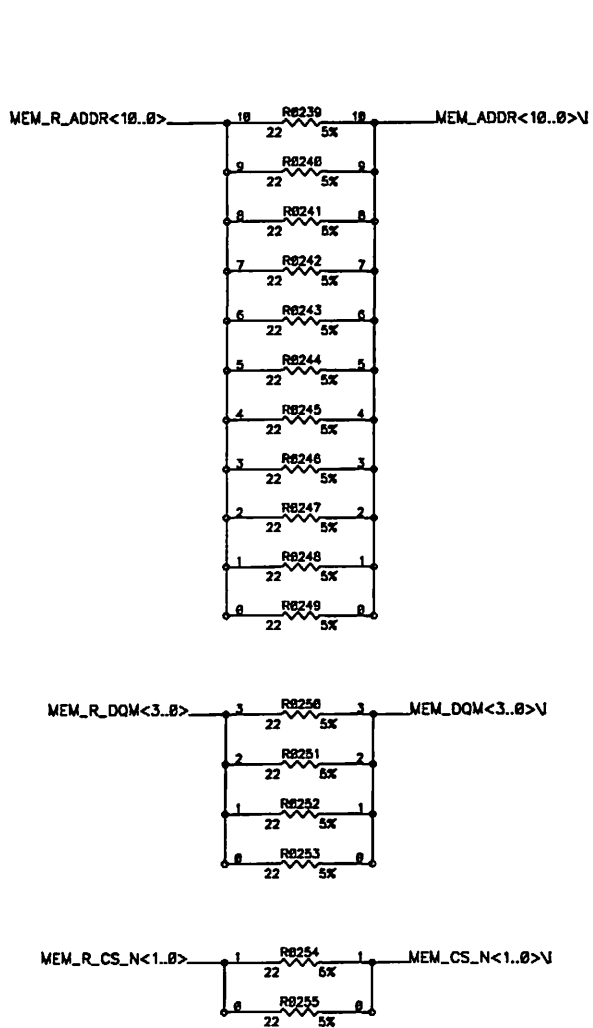
DRAWING
 TITLE=LC2
 ABBREV=LC2
 LAST_MODIFIED=Wed Sep 10 19:33:28 1997



Id: body.1.1.v 1.5 1997/05/26 02:33:00 sheet Exp 8
383P
U8201
BGA

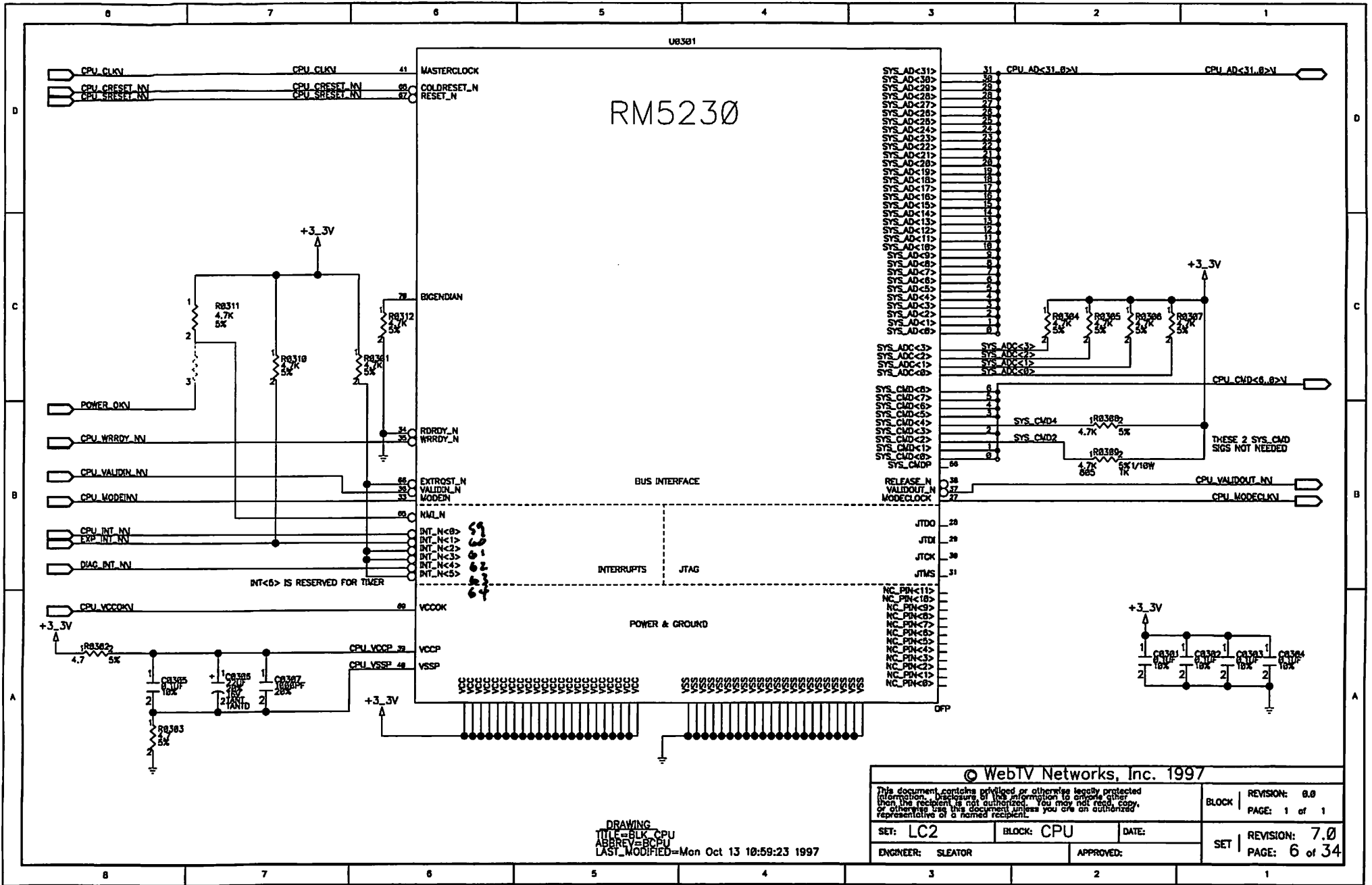
© WebTV Networks, Inc. 1997			
This document contains privileged or otherwise legally protected information. Disclosure of this information to anyone other than the recipient is not authorized. You may not read, copy, or otherwise use this document unless you are an authorized representative of a named recipient.		BLOCK	REVISION: 6.0
			PAGE: 1 of 2
SET: LC2	BLOCK: SOLO	DATE:	REVISION: 7.0
ENGINEER: SLEATOR	APPROVED:		PAGE: 4 of 34

DRAWING
TITLE=BLK SOLO
ABBREV=BSI
LAST_MODIFIED=Wed Sep 18 19:33:40 1997



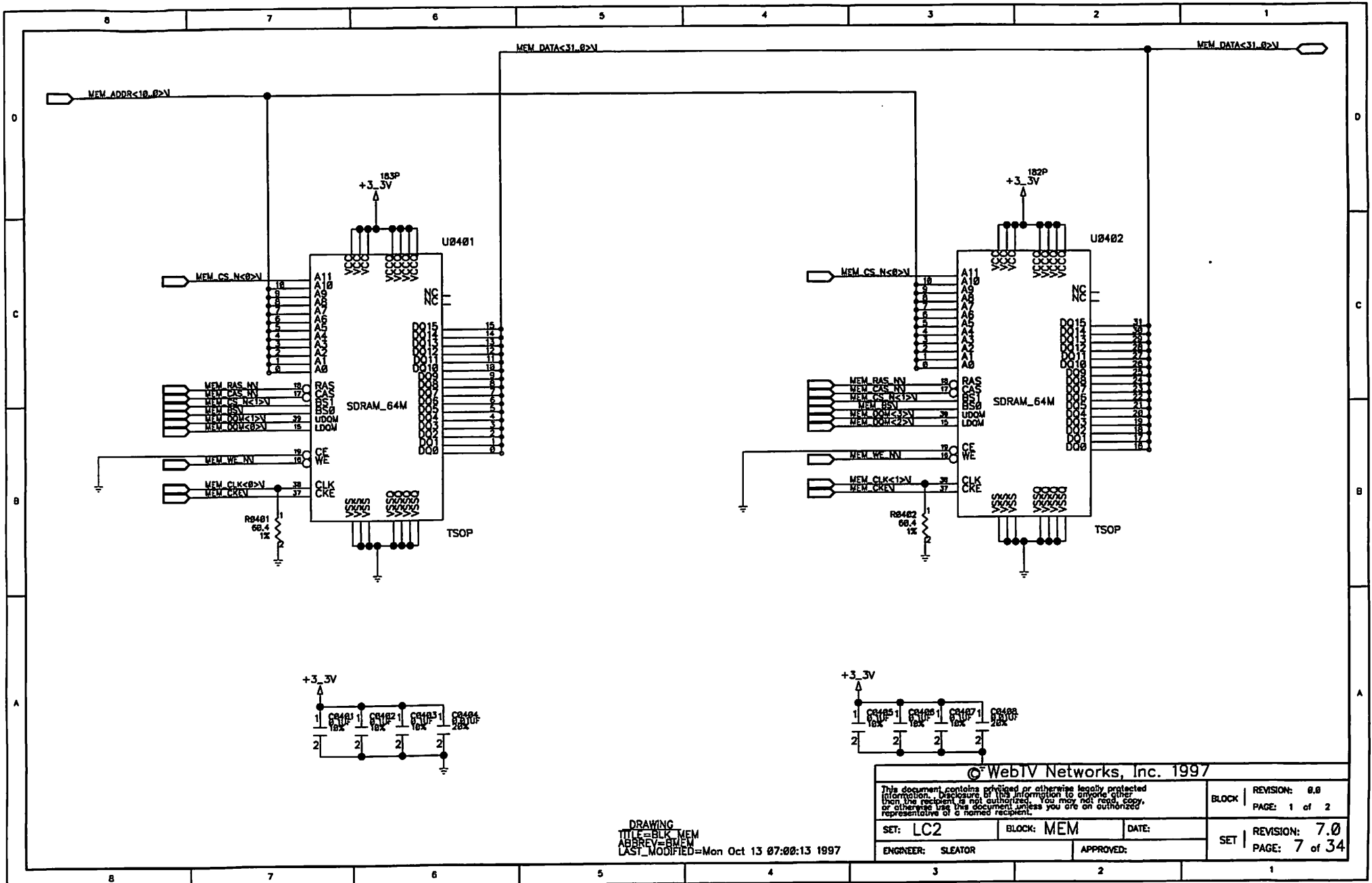
DRAWING
 TITLE=BLK SOLO
 ABBREV=BSI
 LAST_MODIFIED=Wed Sep 10 19:33:51 1997

© WebTV Networks, Inc. 1997			
This document contains privileged or otherwise legally protected information. Disclosure of this information to anyone other than the recipient is not authorized. You may not read, copy, or otherwise use this document unless you are an authorized representative of a named recipient.			
BLOCK	REVISION: 8.0	PAGE: 2 of 2	
SET: LC2	BLOCK: SOLO	DATE:	SET REVISION: 7.0
ENGINEER: SLEATOR	APPROVED:	PAGE: 5 of 34	



DRAWING
 TITLE=BLK CPU
 ABBREV=BCPU
 LAST_MODIFIED=Mon Oct 13 10:59:23 1997

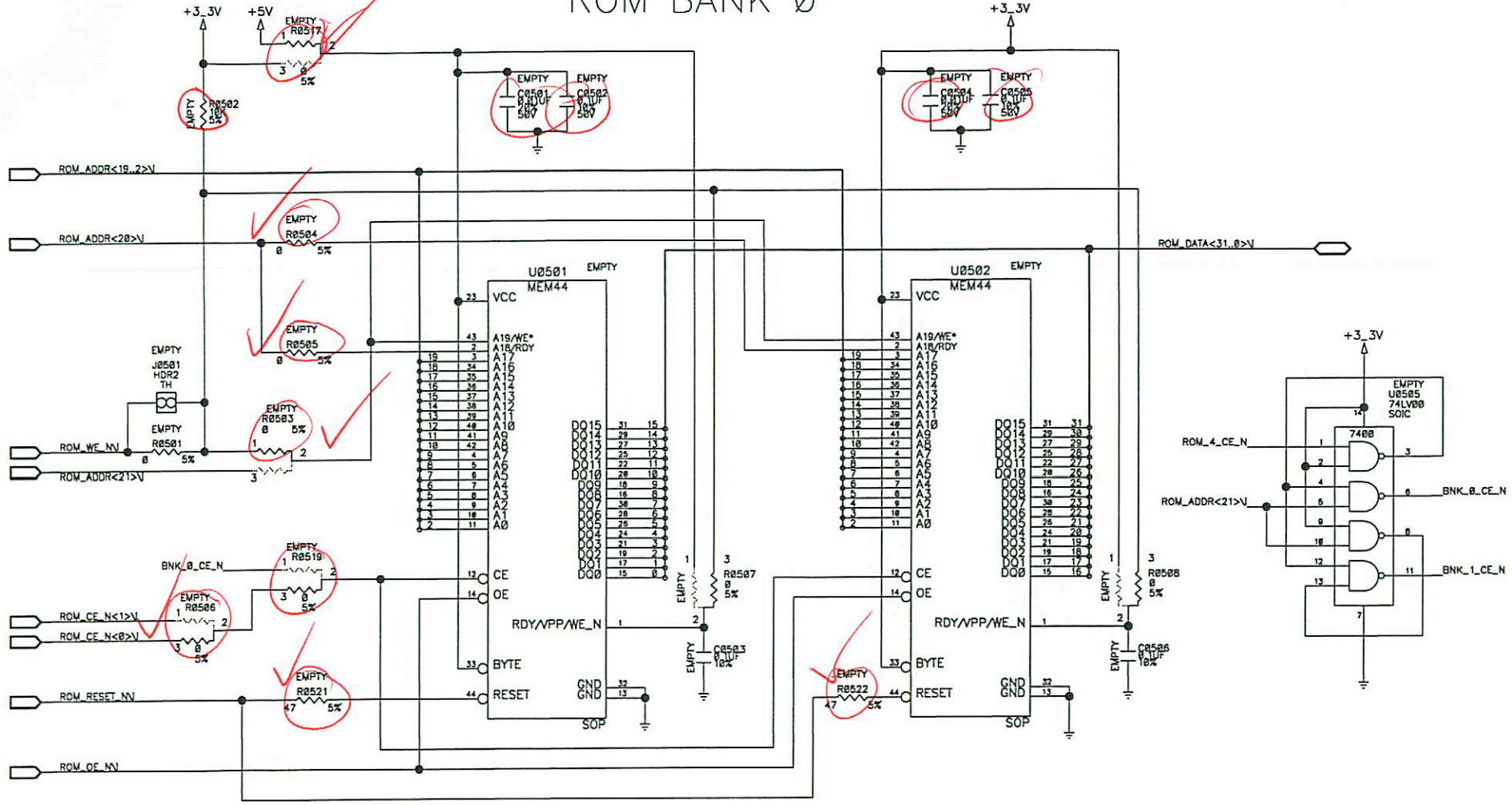
© WebTV Networks, Inc. 1997			
This document contains privileged or otherwise legally protected information. Disclosure of this information to anyone other than the recipient is not authorized. You may not read, copy, or otherwise use this document unless you are an authorized representative of a named recipient.			
SET: LC2	BLOCK: CPU	DATE:	BLOCK REVISION: 0.0
ENGINEER: SLEATOR	APPROVED:		PAGE: 1 of 1
			SET REVISION: 7.0
			PAGE: 6 of 34



DRAWING
 TITLE=BLK MEM
 ABBREV=BMEM
 LAST_MODIFIED=Mon Oct 13 07:00:13 1997

© WebIV Networks, Inc. 1997		
This document contains privileged or otherwise legally protected information. Disclosure of this information to anyone other than the recipient is not authorized. You may not make, copy, or otherwise use this document unless you are an authorized representative of the named recipient.		BLOCK REVISION: 0.0 PAGE: 1 of 2
SET: LC2	BLOCK: MEM	DATE:
ENGINEER: SLEATOR	APPROVED:	
		SET REVISION: 7.0 PAGE: 7 of 34

ROM BANK 0



© WebIV Networks, Inc. 1997

This document contains privileged or otherwise legally protected information. Disclosure of this information to anyone other than the recipient is not authorized, you may not read, copy, or otherwise use this document unless you are an authorized representative of a named recipient.

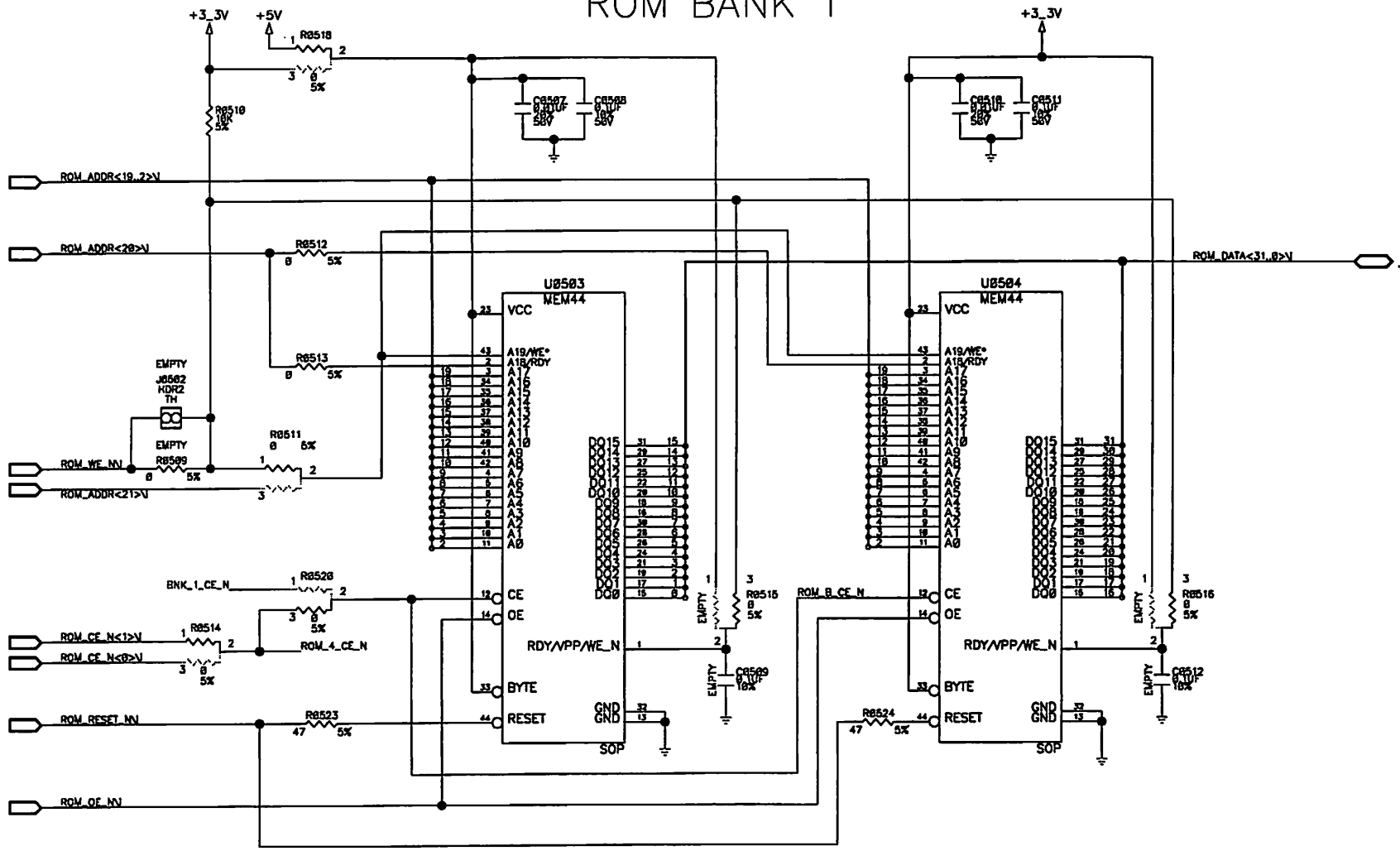
BLOCK	REVISION: 0.0
	PAGE: 1 of 2

SET: LC2	BLOCK: ROM	DATE:
ENGINEER: SLEATOR	APPROVED:	

SET	REVISION: 7.0
	PAGE: 9 of 34

DRAWING
 TITLE=BLK_ROM
 ABBREV=BROM
 LAST_MODIFIED=Wed Sep 10 19:35:05 1997

ROM BANK 1



© WebTV Networks, Inc. 1997

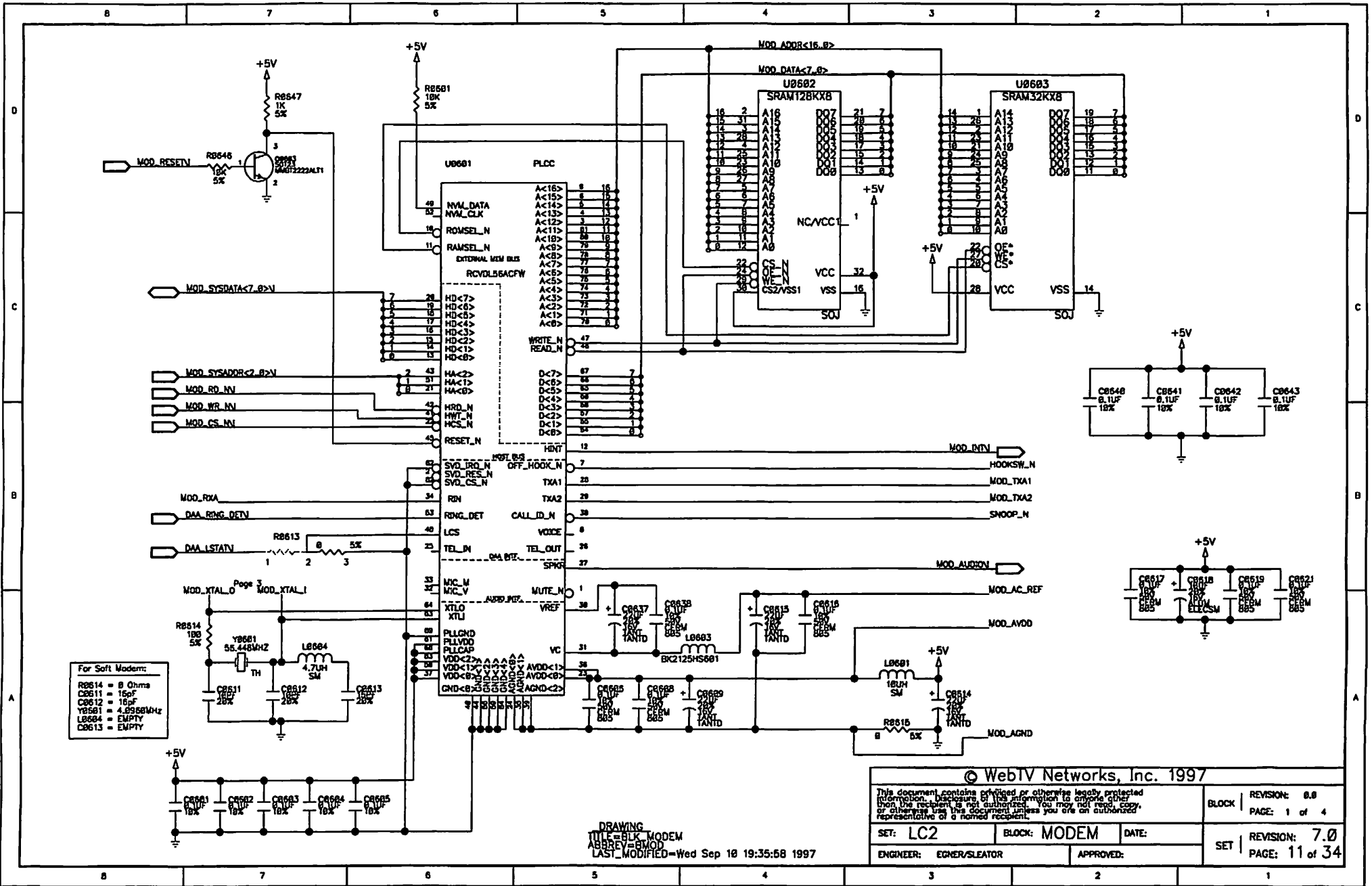
This document contains critical or otherwise legally protected information. Disclosure of this information to anyone other than the recipient is not authorized. You may not read, copy, or otherwise use this document unless you are an authorized representative of a named recipient.

BLOCK REVISION: 0.0
PAGE: 2 of 2

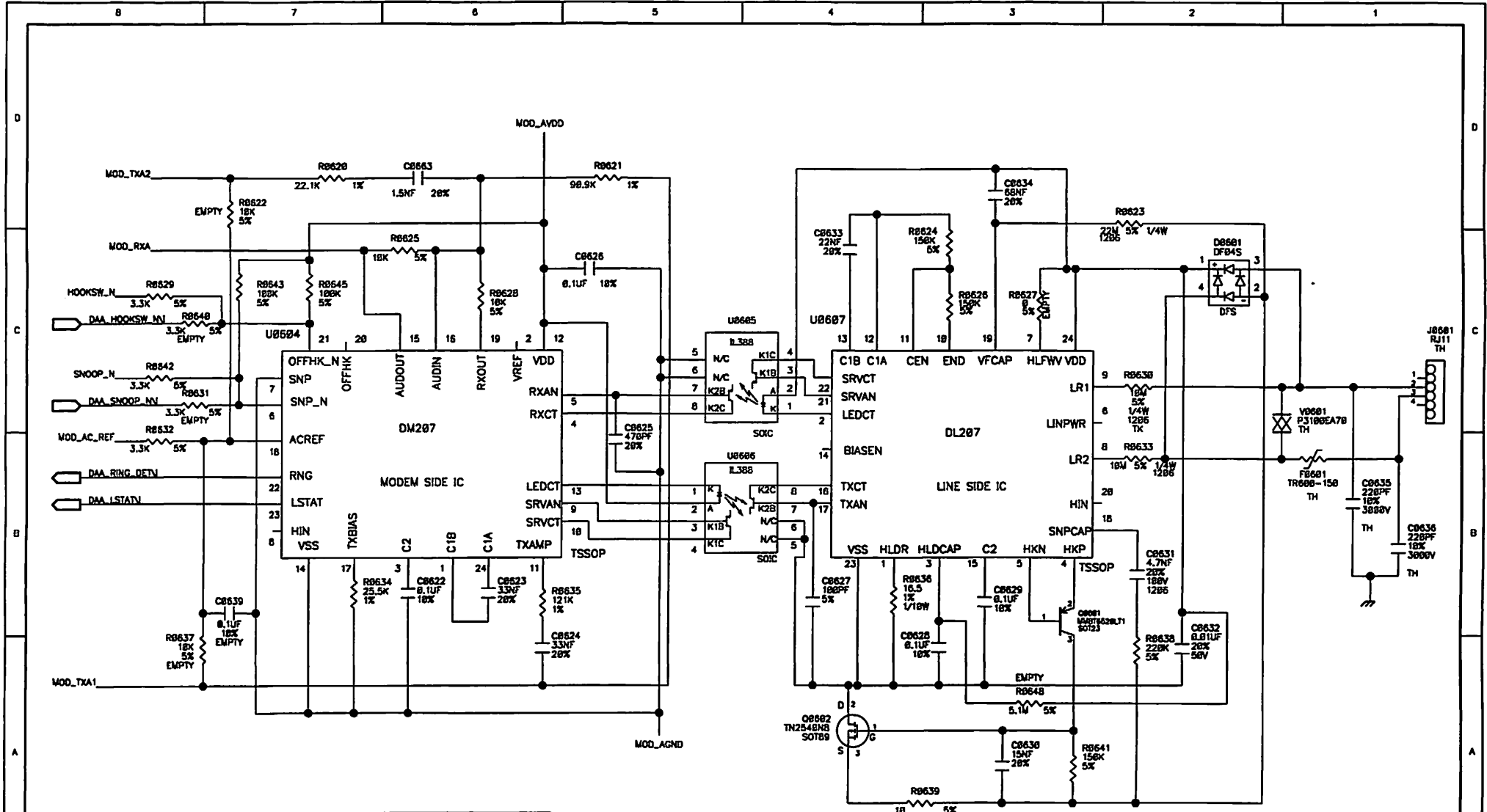
DRAWING
TITLE=BLK ROM
ABREV=BLK ROM
LAST_MODIFIED=Thu Sep 25 21:15:03 1997

SET: LC2 BLOCK: ROM DATE:
ENGINEER: SLEATOR APPROVED:

SET REVISION: 7.0
PAGE: 10 of 34



© WebTV Networks, Inc. 1997	
This document contains privileged or otherwise legally protected information. Disclosure of this information to anyone other than the recipient is not authorized. You may not read, copy, or otherwise use this document unless you are an authorized representative of a named recipient.	
SET: LC2	REVISION: 0.0
BLOCK: MODEM	PAGE: 1 of 4
DATE:	REVISION: 7.0
ENGINEER: EGNER/SLEATOR	PAGE: 11 of 34
APPROVED:	



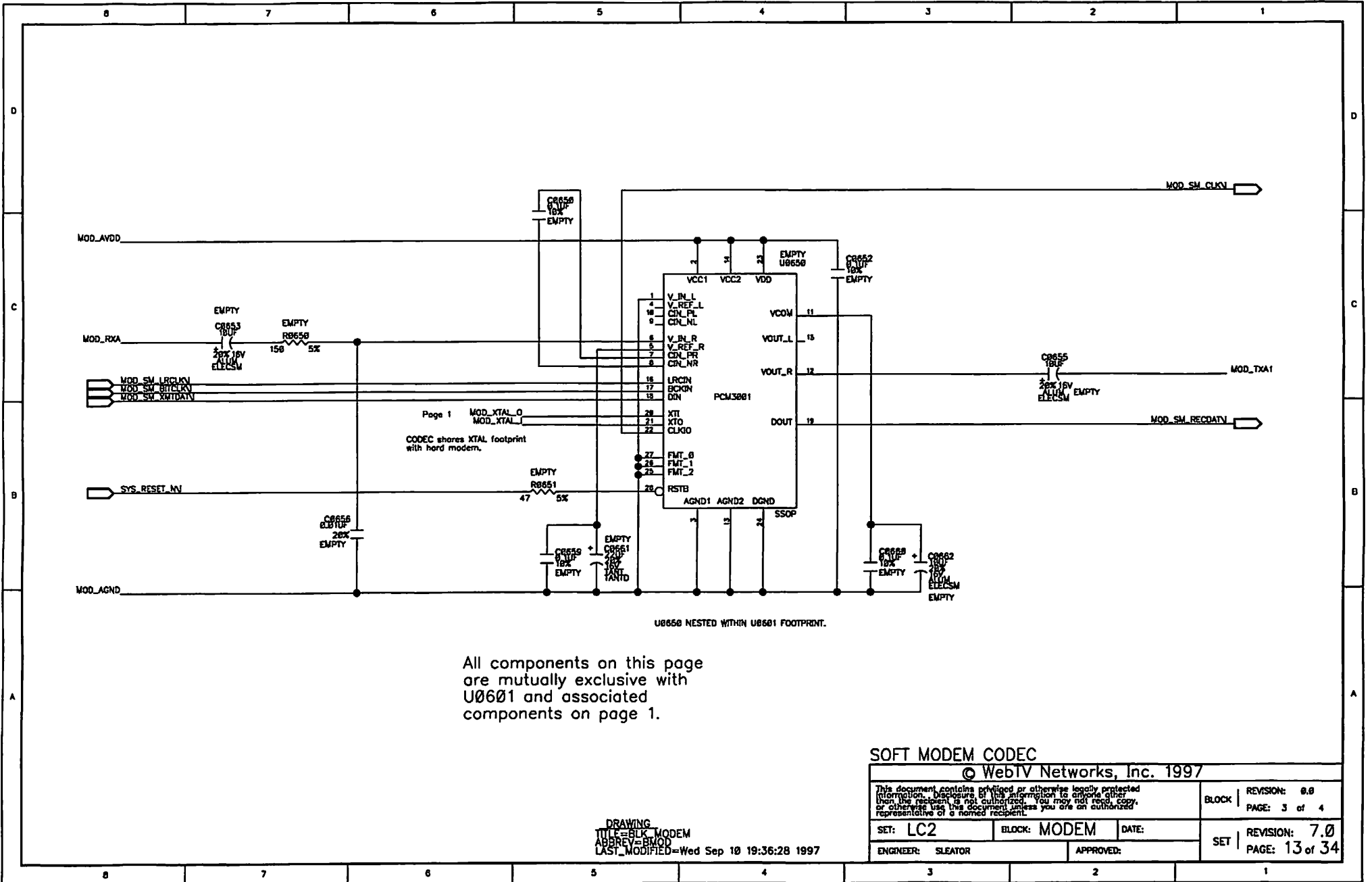
Configuration Notes
 Ref. Des. U.S. Japan
 R0635 121K 155K
 R0648 EMPTY 5.1M

DRAWING
 TITLE=BLK MODEM
 ABBREV=BMOD
 LAST_MODIFIED=Thu Sep 25 16:58:23 1997

© WebTV Networks, Inc. 1997

This document contains privileged or otherwise legally protected information. Disclosure of this information to anyone other than the recipient is not authorized. You may not reproduce, copy, or otherwise use this document unless you are an authorized representative of a named recipient.

SET: LC2	BLOCK: MODEM	DATE:	REVISION: 0.0
ENGINEER: EGMER/SLEATOR	APPROVED:		PAGE: 2 of 4
			REVISION: 7.0
			PAGE: 12 of 34



Page 1
 CODEC shares XTAL footprint
 with herd modem.

U0650 NESTED WITHIN U0601 FOOTPRINT.

All components on this page
 are mutually exclusive with
 U0601 and associated
 components on page 1.

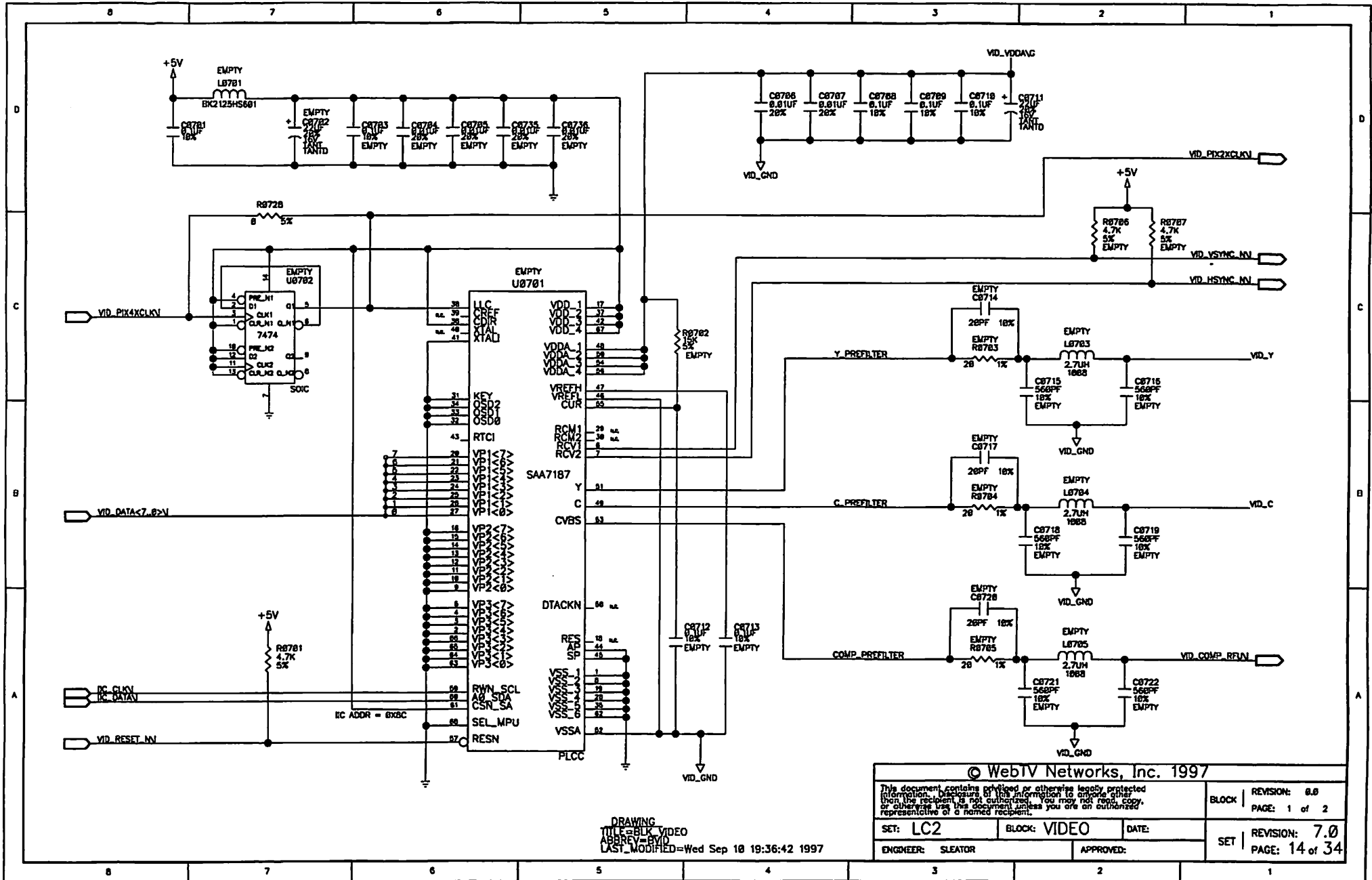
SOFT MODEM CODEC
 © WebTV Networks, Inc. 1997

This document contains privileged or otherwise legally protected information. Disclosure of this information to anyone other than the recipient is not authorized. You may not read, copy, or otherwise use this document unless you are an authorized representative of a named recipient.

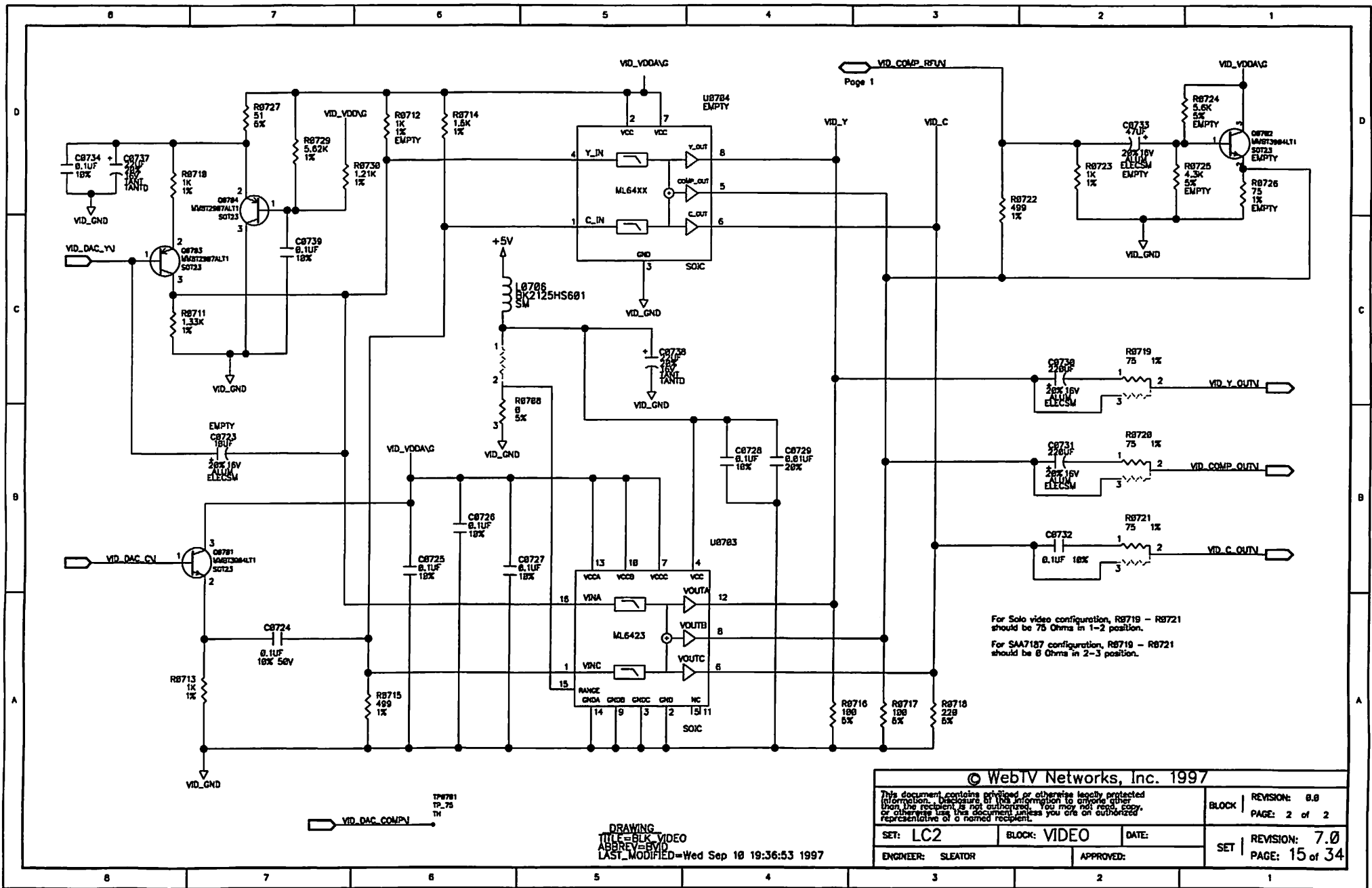
SET: LC2	BLOCK: MODEM	DATE:
ENGINEER: SLEATOR	APPROVED:	

BLOCK	REVISION: 0.0
	PAGE: 3 of 4
SET	REVISION: 7.0
	PAGE: 13 of 34

DRAWING
 TITLE=BULK MODEM
 ABBREV=BWOD
 LAST_MODIFIED=Wed Sep 10 19:36:28 1997



© WebTV Networks, Inc. 1997			
This document contains unfiled or otherwise legally protected information. Disclosure of this information to anyone other than the recipient is not authorized. You may not read, copy, or otherwise use this document unless you are an authorized representative of a named recipient.			REVISION: 0.0 PAGE: 1 of 2
SET: LC2	BLOCK: VIDEO	DATE:	REVISION: 7.0 PAGE: 14 of 34
ENGINEER: SLEATOR	APPROVED:		



For Solo video configuration, R8719 - R8721 should be 75 Ohms in 1-2 position.
 For SAA7187 configuration, R8719 - R8721 should be 8 Ohms in 2-3 position.

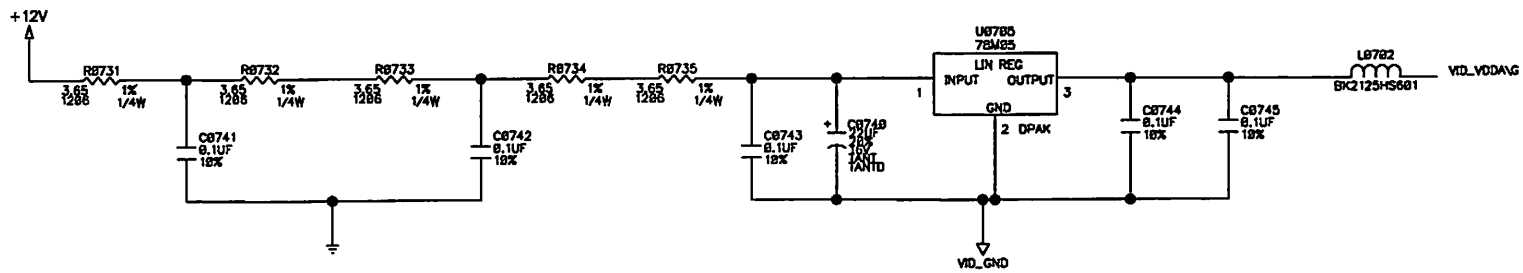
© WebTV Networks, Inc. 1997

This document contains privileged or otherwise legally protected information. Disclosure of this information to anyone other than the recipient is not authorized. You may not make copy or otherwise use this document unless you are an authorized representative of a named recipient.

BLOCK	REVISION: 8.8
	PAGE: 2 of 2
SET	REVISION: 7.0
	PAGE: 15 of 34

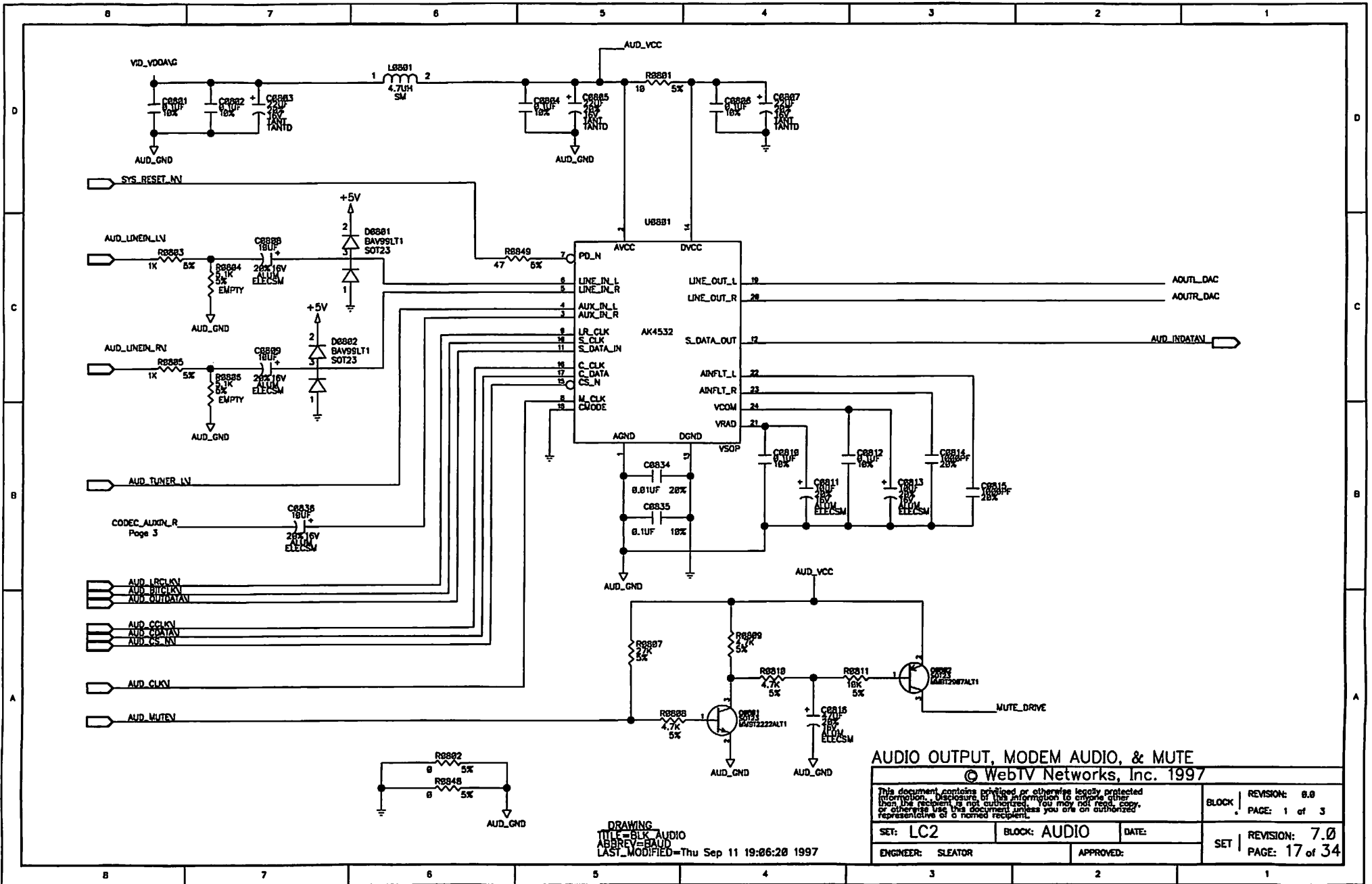
SET: LC2	BLOCK: VIDEO	DATE:
ENGINEER: SLEATOR	APPROVED:	

DRAWING
 TITLE=BLK_VID0
 ABBREV=BVID
 LAST_MODIFIED=Wed Sep 10 19:36:53 1997



DRAWING
 TITLE=BLK_VIDEO
 ABBREV=BYD
 LAST_MODIFIED=Mon Sep 15 16:39:26 1997

© WebTV Networks, Inc. 1997		
<small>This document contains privileged or otherwise legally protected information. Disclosure of this information to anyone other than the recipient is not authorized. You may not read, copy, or otherwise use this document unless you are an authorized representative of a named recipient.</small>		BLOCK REVISION: 8.8 PAGE: 3 of 3
SET: LC2	BLOCK: VIDEO	DATE:
ENGINEER: SLEATOR	APPROVED:	
SET		REVISION: 7.0 PAGE: 16 of 34



AUDIO OUTPUT, MODEM AUDIO, & MUTE

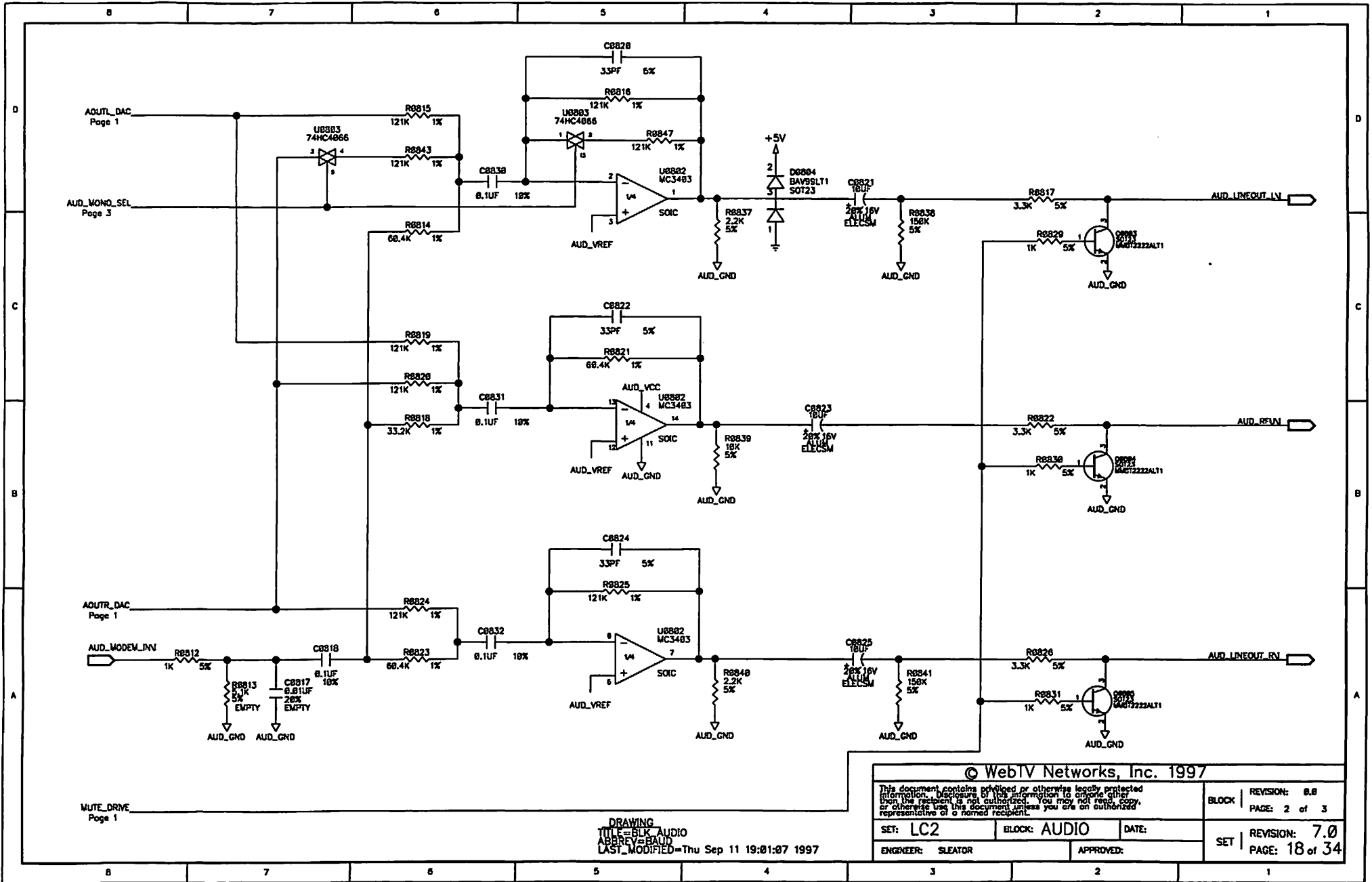
© WebTV Networks, Inc. 1997

This document contains privileged or otherwise legally protected information. Disclosure of this information to anyone other than the recipient is not authorized. You may not read, copy, or otherwise use this document unless you are an authorized representative of a named recipient.

SET: LC2 BLOCK: AUDIO DATE: ENGINEER: SLEATOR APPROVED:

BLOCK	REVISION: 8.0
	PAGE: 1 of 3
SET	REVISION: 7.0
	PAGE: 17 of 34

DRAWING
 TITLE = BLK AUDIO
 ABBREV = BAUD
 LAST_MODIFIED = Thu Sep 11 19:06:20 1997



© WebTV Networks, Inc. 1997

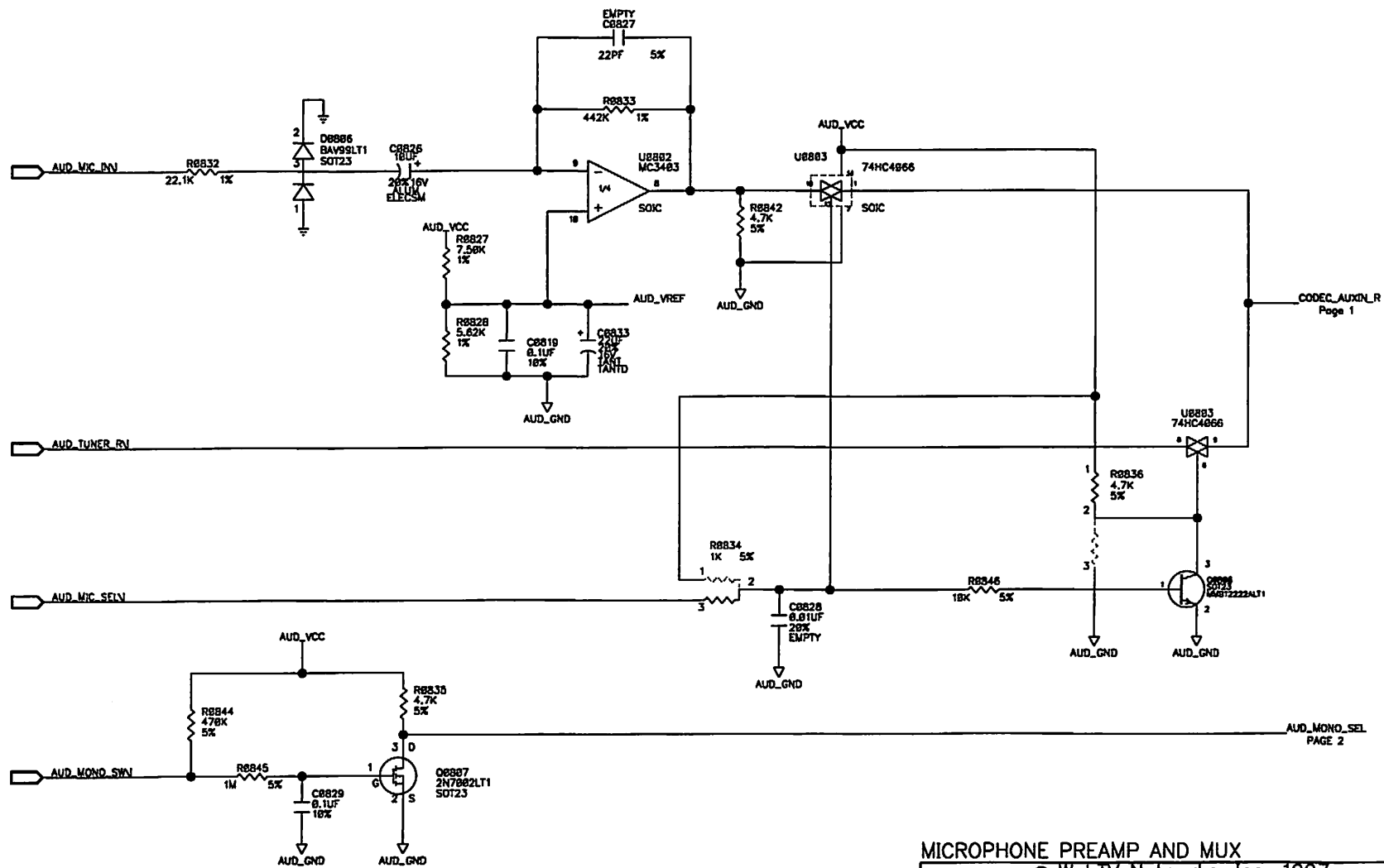
This document contains privileged or otherwise legally protected information. Disclosure of this information to anyone other than the recipient is not authorized. You may not need, copy, or otherwise use this document unless you are an authorized representative of a named recipient.

BLOCK REVISION: 8.8
PAGE: 2 of 3

SET: LC2 BLOCK: AUDIO DATE:
ENGINEER: SLEATOR APPROVED:

SET REVISION: 7.0
PAGE: 18 of 34

DRAWING
TITLE=BLK_AUDIO
ABBREV=BAUD
LAST_MODIFIED=Thu Sep 11 19:01:07 1997



MICROPHONE PREAMP AND MUX

© WebTV Networks, Inc. 1997

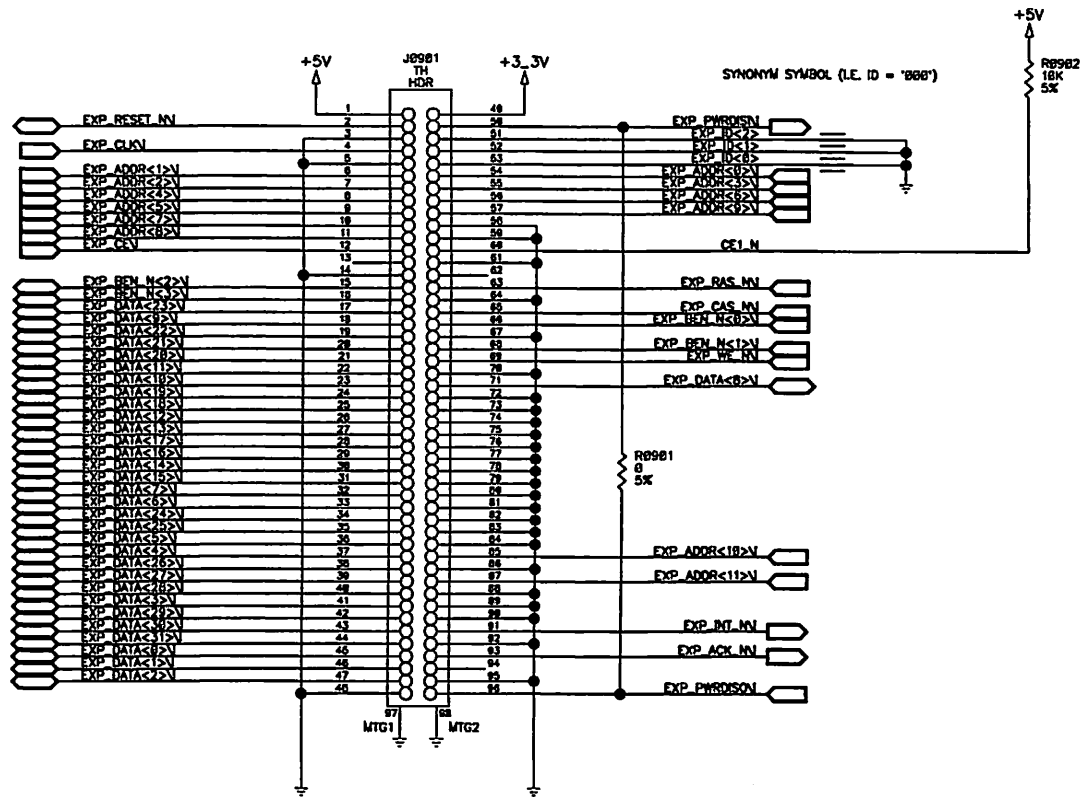
This document contains privileged or otherwise legally protected information. Disclosure of this information to anyone other than the recipient is not authorized. You may not reuse, copy, or otherwise use this document unless you are an authorized representative of a named recipient.

BLOCK | REVISION: 0.0
PAGE: 3 of 3

SET: LC2 | BLOCK: AUDIO | DATE:
ENGINEER: SLEATOR | APPROVED:

SET | REVISION: 7.0
PAGE: 19 of 34

DRAWING
TITLE=BLK_AUDIO
ABBREV=BAUD
LAST_MODIFIED=Wed Sep 10 19:38:01 1997



© WebTV Networks, Inc. 1997

This document contains privileged or otherwise legally protected information. Disclosure of this information to anyone other than the recipient is not authorized. You may not read, copy, or otherwise use this document, unless you are an authorized representative of a named recipient.

BLOCK REVISION: 0.0
PAGE: 1 of 1

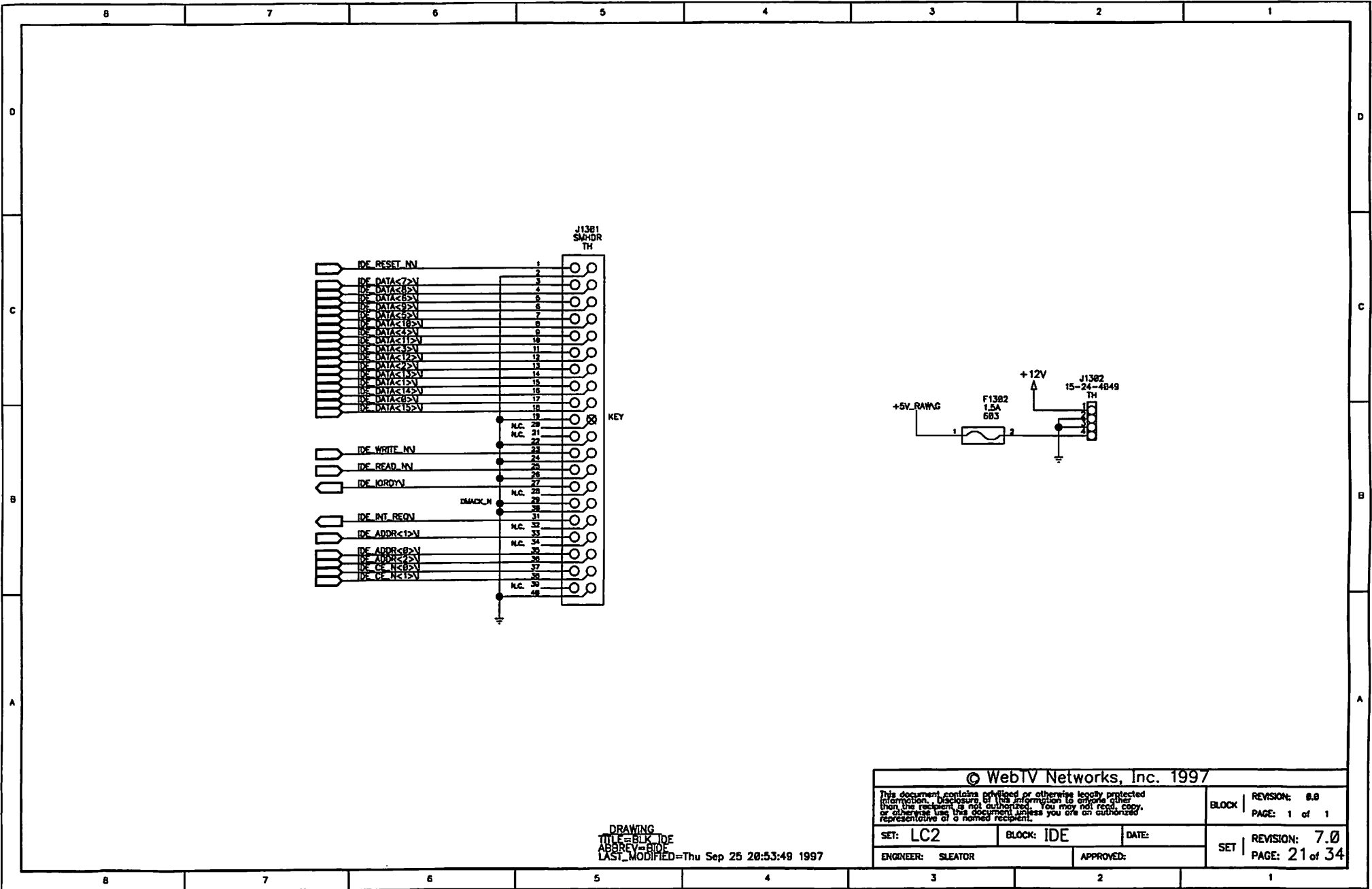
SET: LC2 BLOCK: EXPANSION DATE:

REVISION: 7.0

ENGINEER: SLEATOR APPROVED:

PAGE: 20 of 34

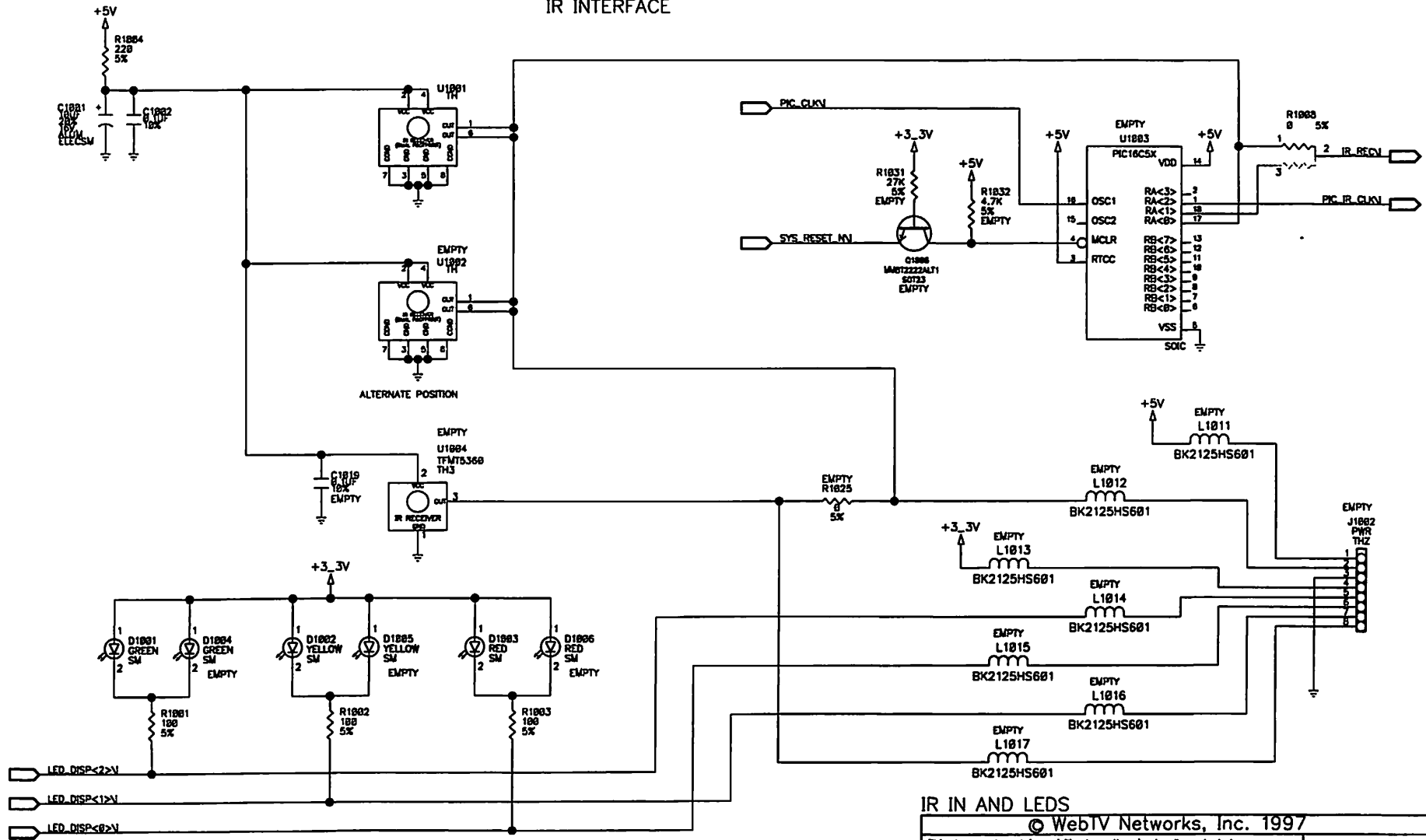
DRAWING
TITLE=BLK_EXP
ABBREV=EXP
LAST_MODIFIED=Wed Sep 10 19:38:54 1997



DRAWING
 TITLE=BLK_IDE
 ABBREV=IDE
 LAST_MODIFIED=Thu Sep 25 20:53:49 1997

© WebTV Networks, Inc. 1997			
This document contains privileged or otherwise legally protected information. Disclosure of this information to anyone other than the recipient is not authorized. You may not read, copy, or otherwise use this document unless you are an authorized representative of a named recipient.			BLOCK REVISION: 8.0 PAGE: 1 of 1
SET: LC2	BLOCK: IDE	DATE:	SET REVISION: 7.0 PAGE: 21 of 34
ENGINEER: SLEATOR	APPROVED:		

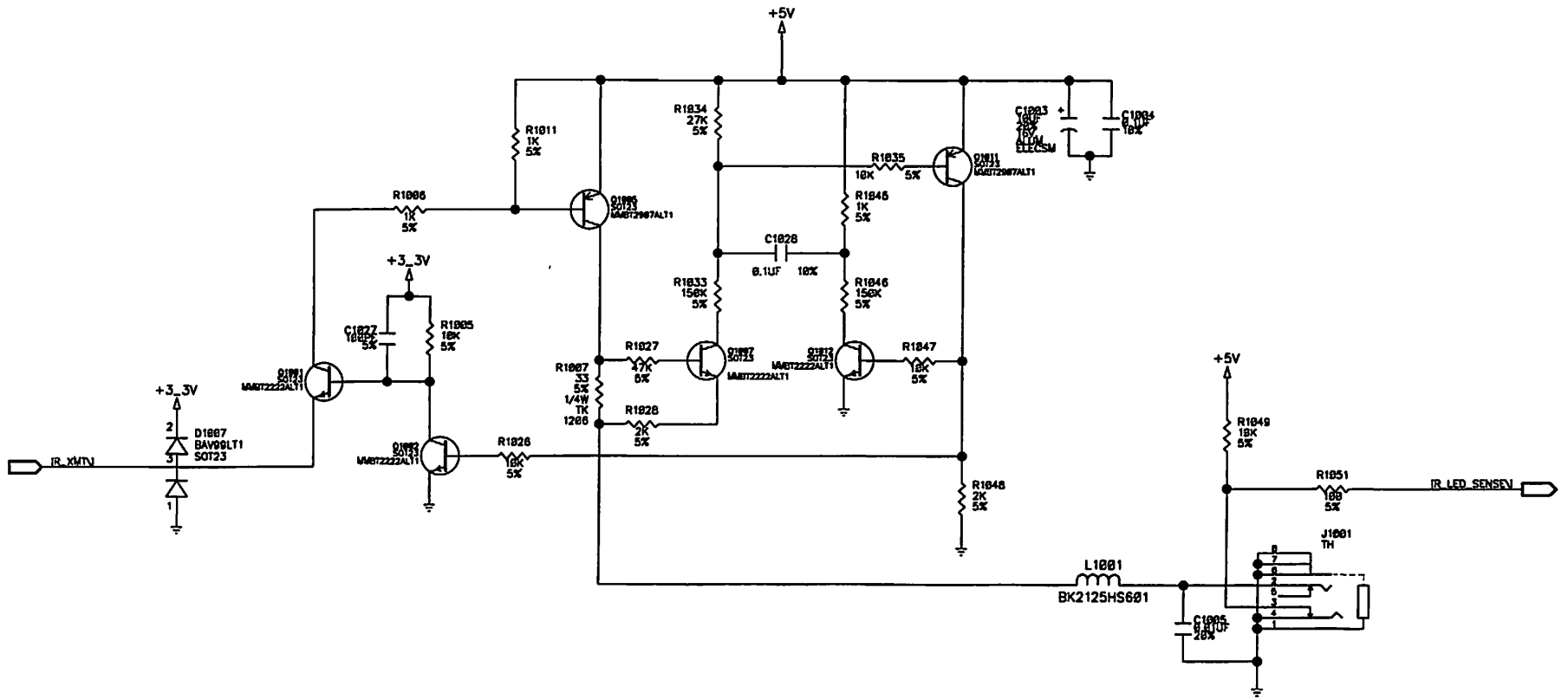
IR INTERFACE



D1884, D1885, AND D1886 ARE ALTERNATE POSITIONS FOR D1801, D1802, AND D1803.

DRAWING
 TITLE=BLK_MISC_IO
 ABBREV=BMSIO
 LAST_MODIFIED=Wed Sep 10 19:39:25 1997

IR IN AND LEDS		
© WebTV Networks, Inc. 1997		
This document contains privileged or otherwise legally protected information. Disclosure of this information to anyone other than the recipient is not authorized. You may not read, copy, or otherwise use this document unless you are an authorized representative of a named recipient.		
BLOCK	REVISION: 0.0	PAGE: 1 of 4
SET: LC2	BLOCK: MISC_IO	DATE:
ENGINEER: SLEATOR	APPROVED:	SET REVISION: 7.0
		PAGE: 22 of 34



IR OUTPUT DRIVER

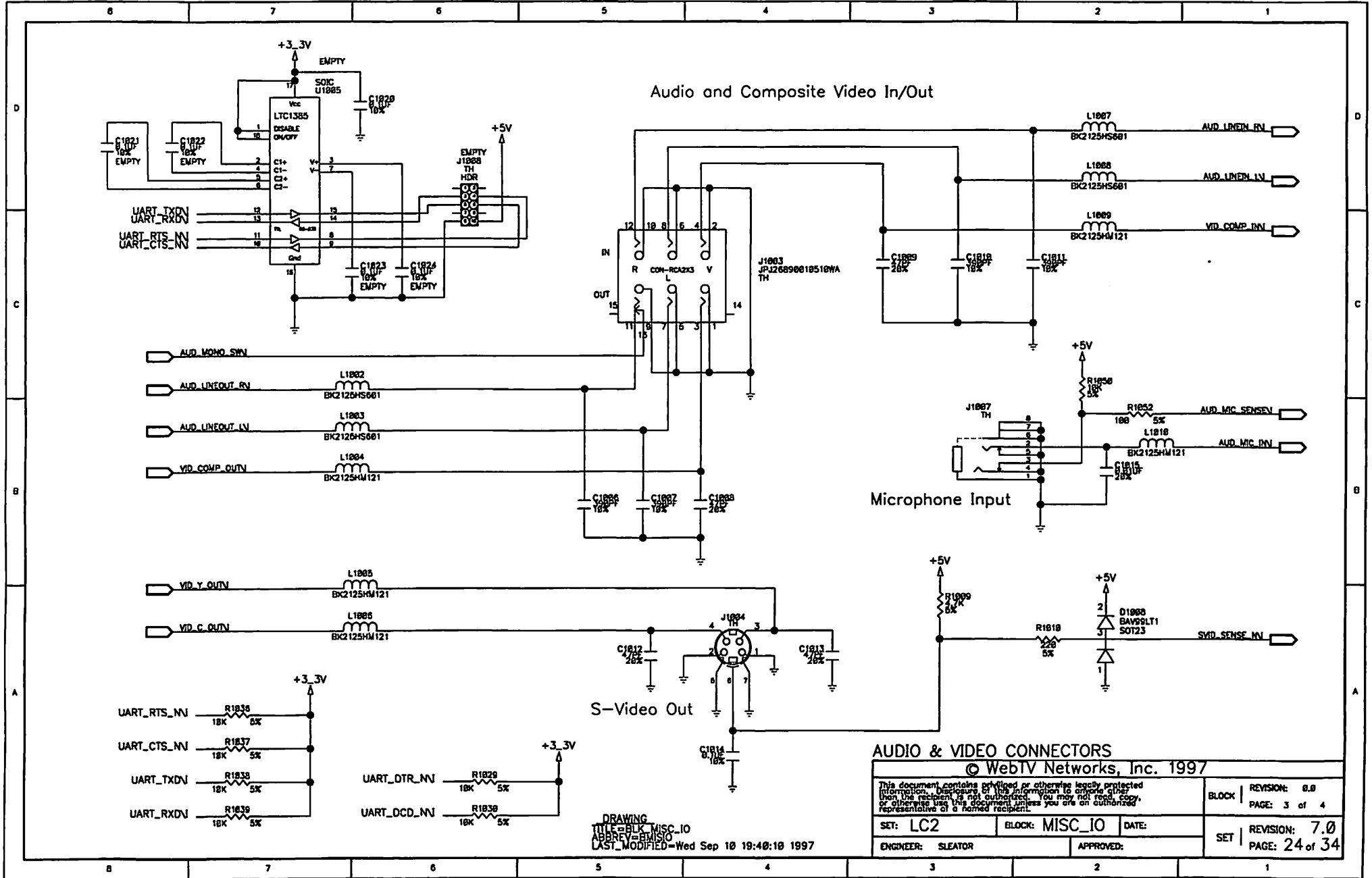
© WebTV Networks, Inc. 1997

This document contains privileged or otherwise legally protected information. Disclosure of this information to anyone other than the recipient is not authorized. You may not read, copy, or otherwise use this document unless you are an authorized representative of a named recipient.

SET: LC2 BLOCK: MISC_IO DATE: ENGINEER: SLEATOR APPROVED:

BLOCK	REVISION: 0.0
	PAGE: 2 of 4
SET	REVISION: 7.0
	PAGE: 23 of 34

DRAWING
 TITLE=BLK_MISC_IO
 ABBREV=MISCIO
 LAST_MODIFIED=Wed Sep 10 19:39:42 1997

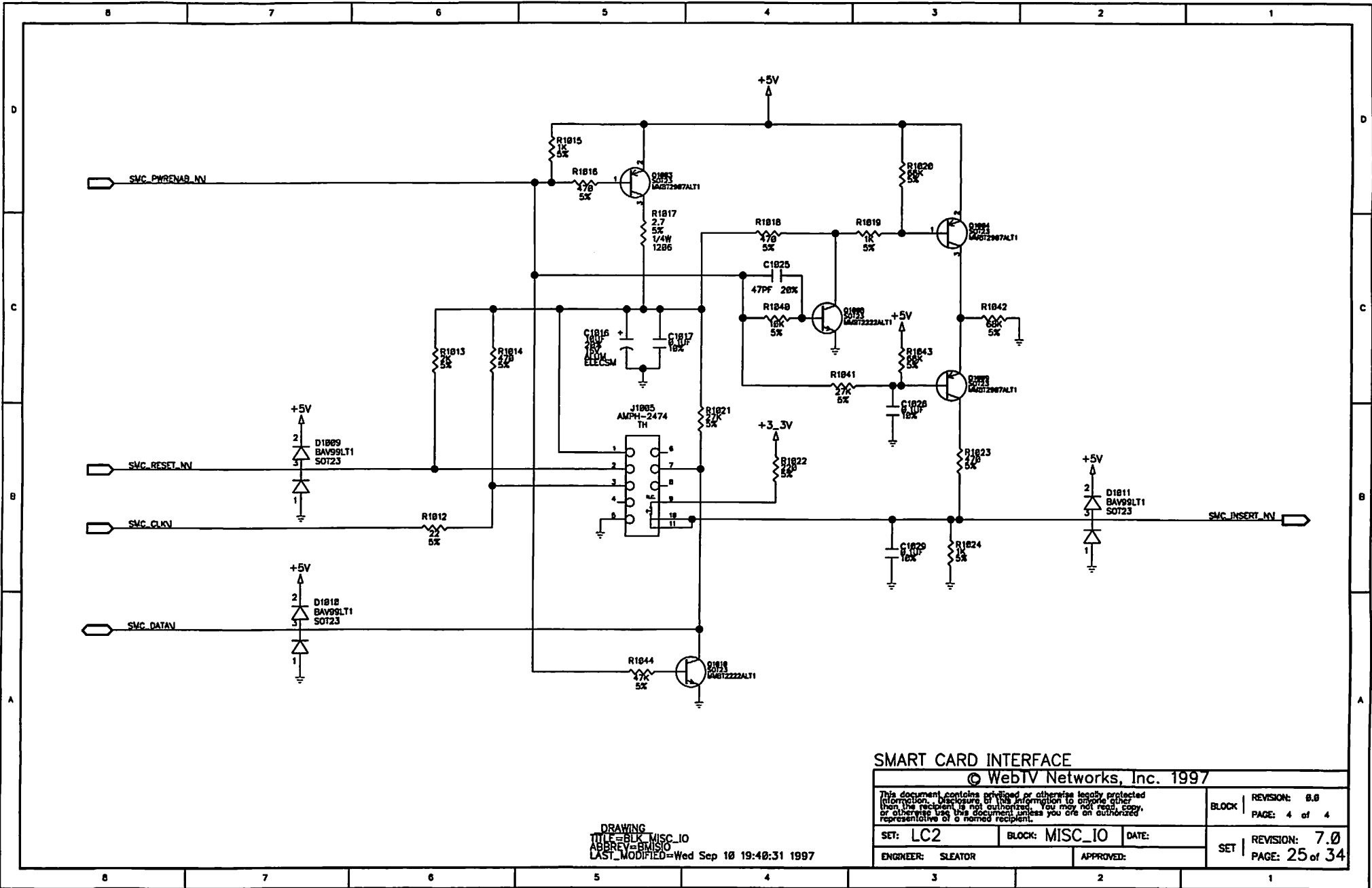


This document contains privileged or otherwise legally protected information. Disclosure of its information to anyone other than the recipient is not authorized. You may not read, copy, or otherwise use this document unless you are an authorized representative of a named recipient.

SET: LC2 BLOCK: MISC_IO DATE: ENGINEER: SLEATOR

BLOCK	REVISION: 0.0
	PAGE: 3 of 4
SET	REVISION: 7.0
	PAGE: 24 of 34

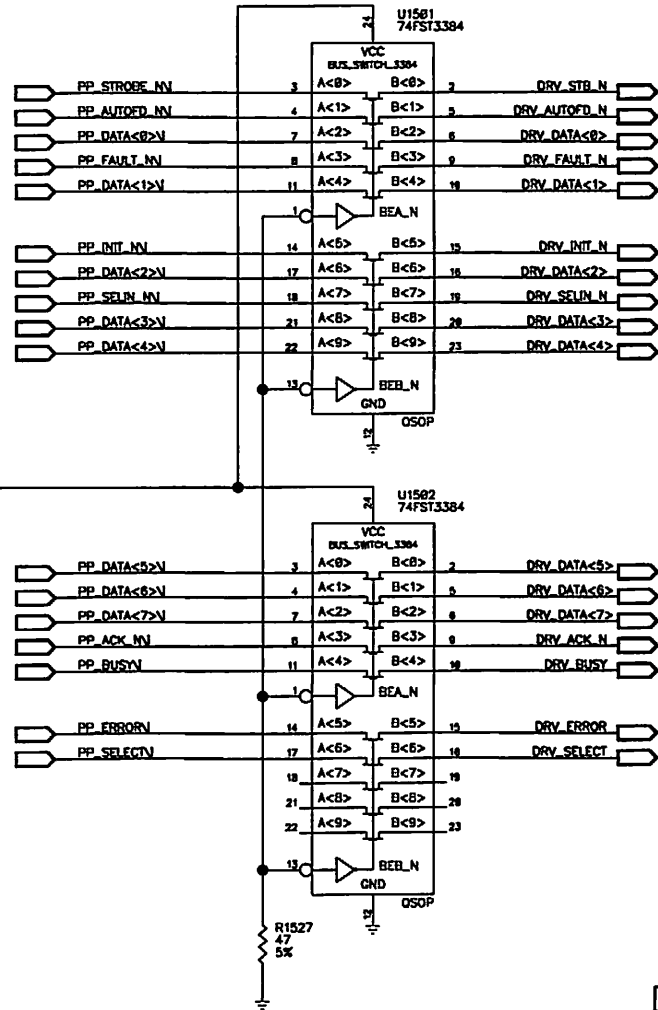
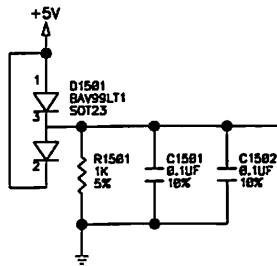
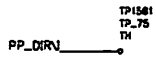
DRAWING TITLE: EBLK_MISC_IO
APPROV: RMISIO
LAST_MODIFIED=Wed Sep 10 19:40:10 1997



DRAWING
 TITLE=BLK_MISC_IO
 ABBREV=BMSIO
 LAST_MODIFIED=Wed Sep 10 19:40:31 1997

SMART CARD INTERFACE			
© WebTV Networks, Inc. 1997			
<small>This document contains privileged or otherwise legally protected information. Disclosure of this information to anyone other than the recipient is not authorized. You may not reuse, copy, or otherwise use this document unless you are an authorized representative of a named recipient.</small>		BLOCK	REVISION: 6.0 PAGE: 4 of 4
		SET: LC2	BLOCK: MISC_IO
ENGINEER: SLEATOR	APPROVED:	DATE:	REVISION: 7.0 PAGE: 25 of 34

PP_DIRV is not used.



DRAWING
 TITLE=BLK_PPORT
 ABBREV=BPPT
 LAST_MODIFIED=Wed Sep 10 19:40:46 1997

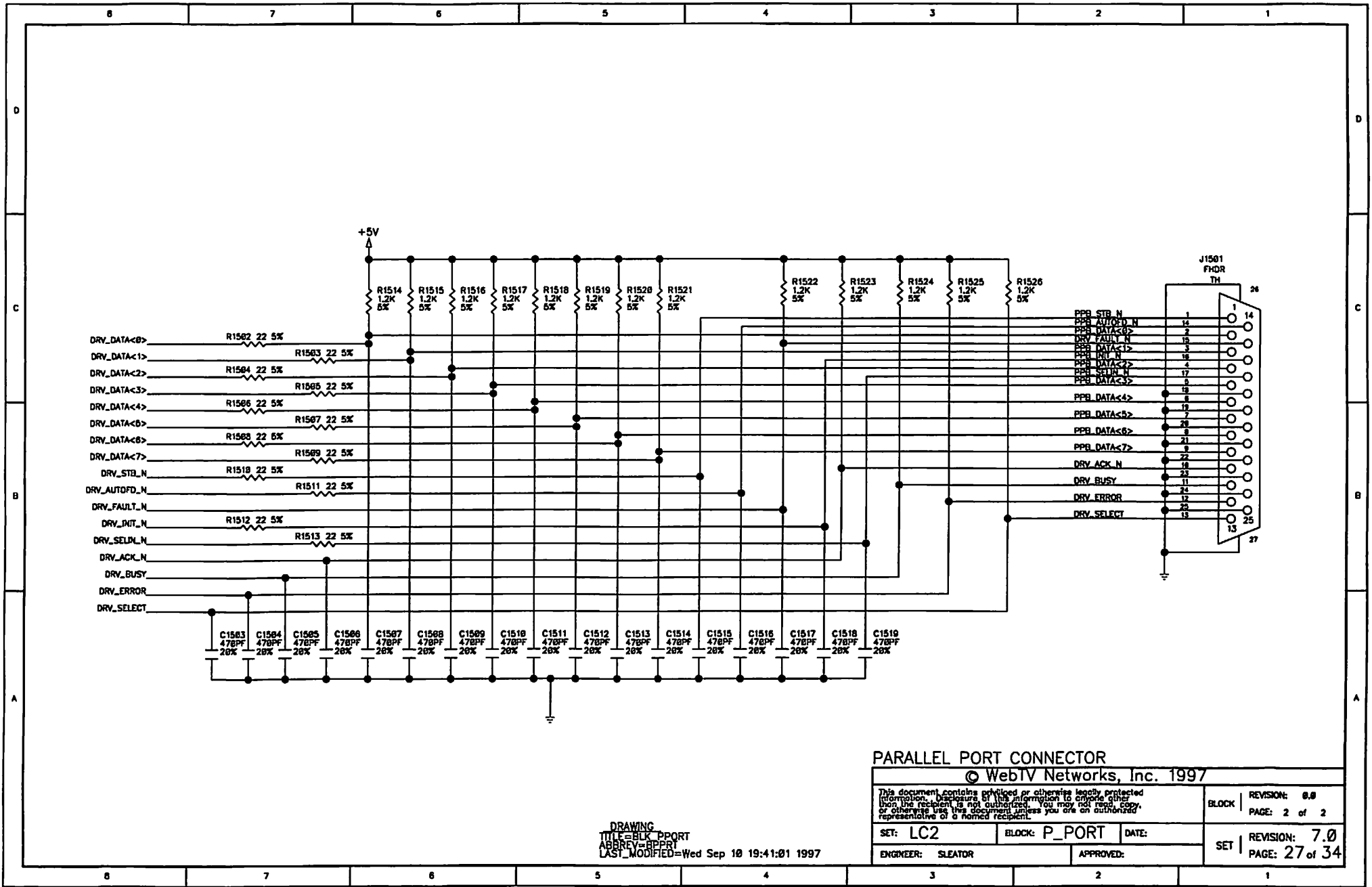
© WebTV Networks, Inc. 1997

This document contains privileged or otherwise legally protected information. Disclosure of this information to anyone other than the recipient is not authorized. You may not reproduce, copy, or otherwise use this document unless you are an authorized representative of a named recipient.

BLOCK REVISION: 0.0
 PAGE: 1 of 2

SET: LC2 BLOCK: P_PORT DATE:
 ENGINEER: SLEATOR APPROVED:

SET REVISION: 7.0
 PAGE: 26 of 34



PARALLEL PORT CONNECTOR
© WebTV Networks, Inc. 1997

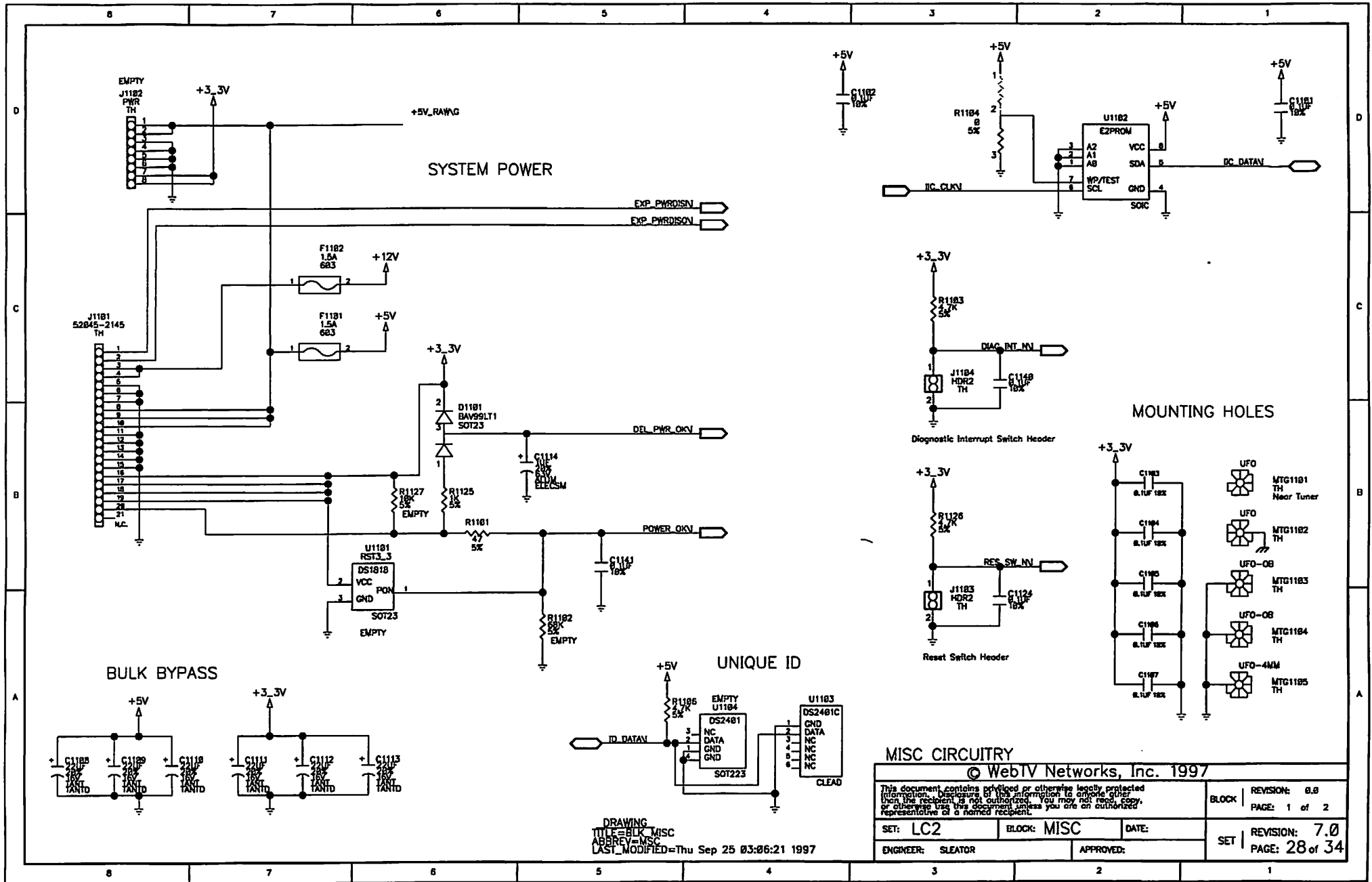
This document contains privileged or otherwise legally protected information. Disclosure of this information to anyone other than the recipient is not authorized. You may not read, copy, or otherwise use this document unless you are an authorized representative of a named recipient.

BLOCK REVISION: 0.0
PAGE: 2 of 2

SET: LC2 BLOCK: P_PORT DATE:
ENGINEER: SLEATOR APPROVED:

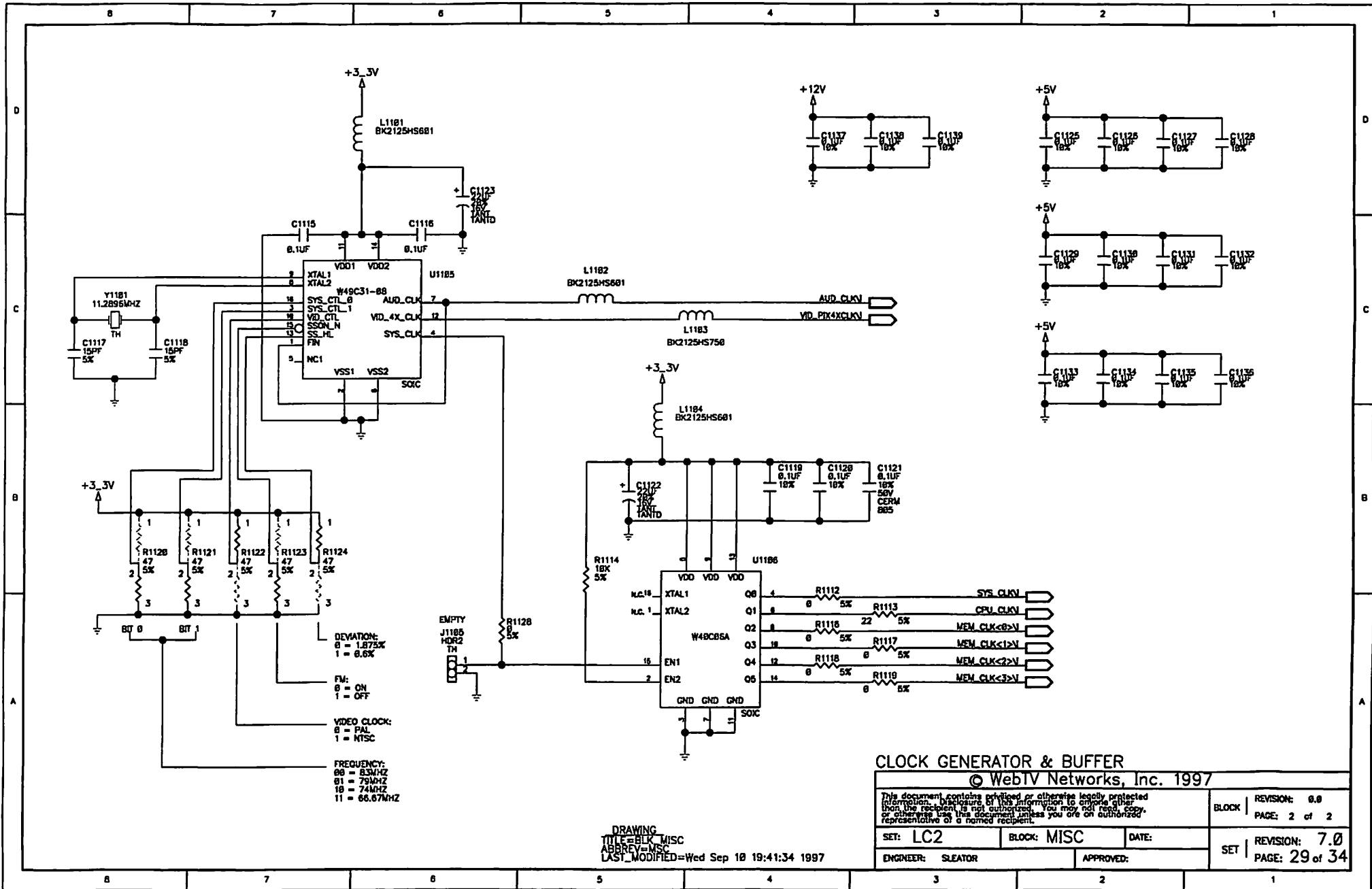
SET REVISION: 7.0
PAGE: 27 of 34

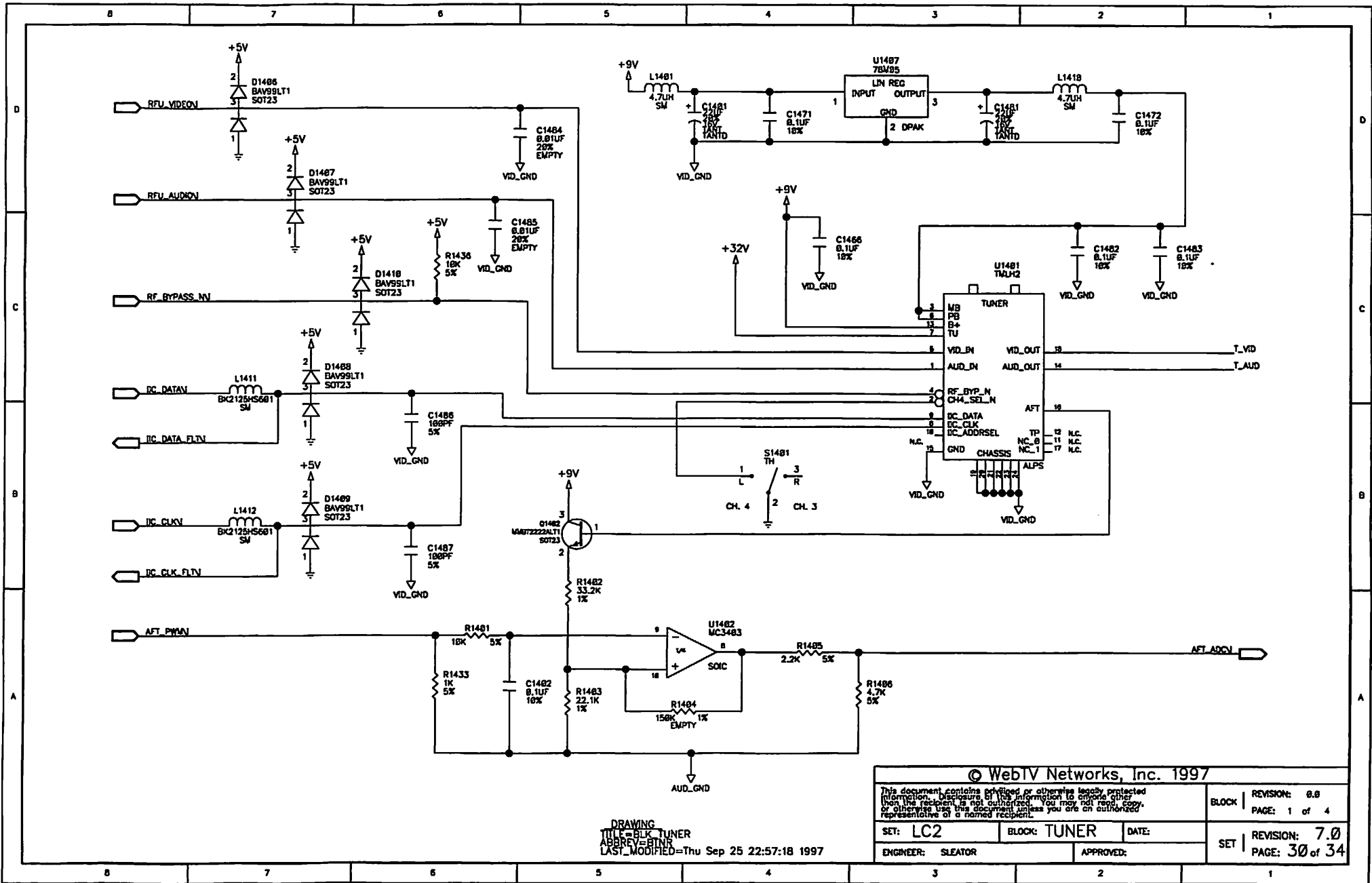
DRAWING
TITLE=BLK_PPORT
ABBREV=PPORT
LAST_MODIFIED=Wed Sep 10 19:41:01 1997



DRAWING
 TITLE=BLK_MISC
 ABBREV=MISC
 LAST_MODIFIED=Thu Sep 25 03:06:21 1997

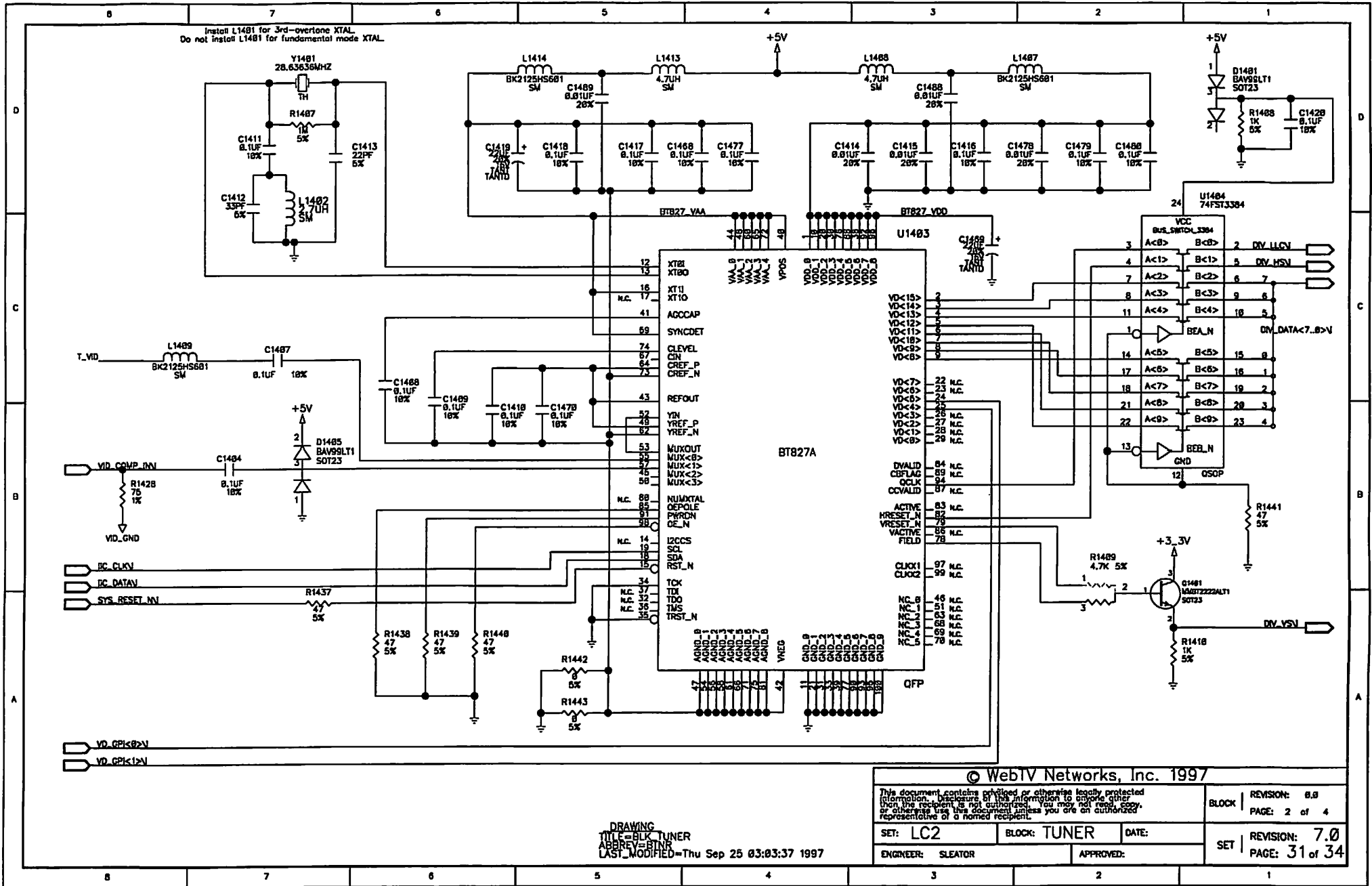
© WebTV Networks, Inc. 1997			
<small>This document contains privileged or otherwise legally protected information. Disclosure of this information to anyone other than the recipient is not authorized. You may not reproduce or otherwise use this document unless you are an authorized representative of a named recipient.</small>		BLOCK	REVISION: 0.0
SET: LC2	BLOCK: MISC	DATE:	PAGE: 1 of 2
ENGINEER: SLEATOR	APPROVED:	SET	REVISION: 7.0
			PAGE: 28 of 34





DRAWING
 TITLE=BLK_TUNER
 ABBREV=PTNR
 LAST_MODIFIED=Thu Sep 25 22:57:18 1997

© WebTV Networks, Inc. 1997			
This document contains privileged or otherwise legally protected information. Disclosure of this information to anyone other than the recipient is not authorized. You may not make copy or otherwise use this document unless you are an authorized representative of a named recipient.			REVISION: 0.0 PAGE: 1 of 4
SET: LC2	BLOCK: TUNER	DATE:	REVISION: 7.0 PAGE: 30 of 34
ENGINEER: SLEATOR	APPROVED:		

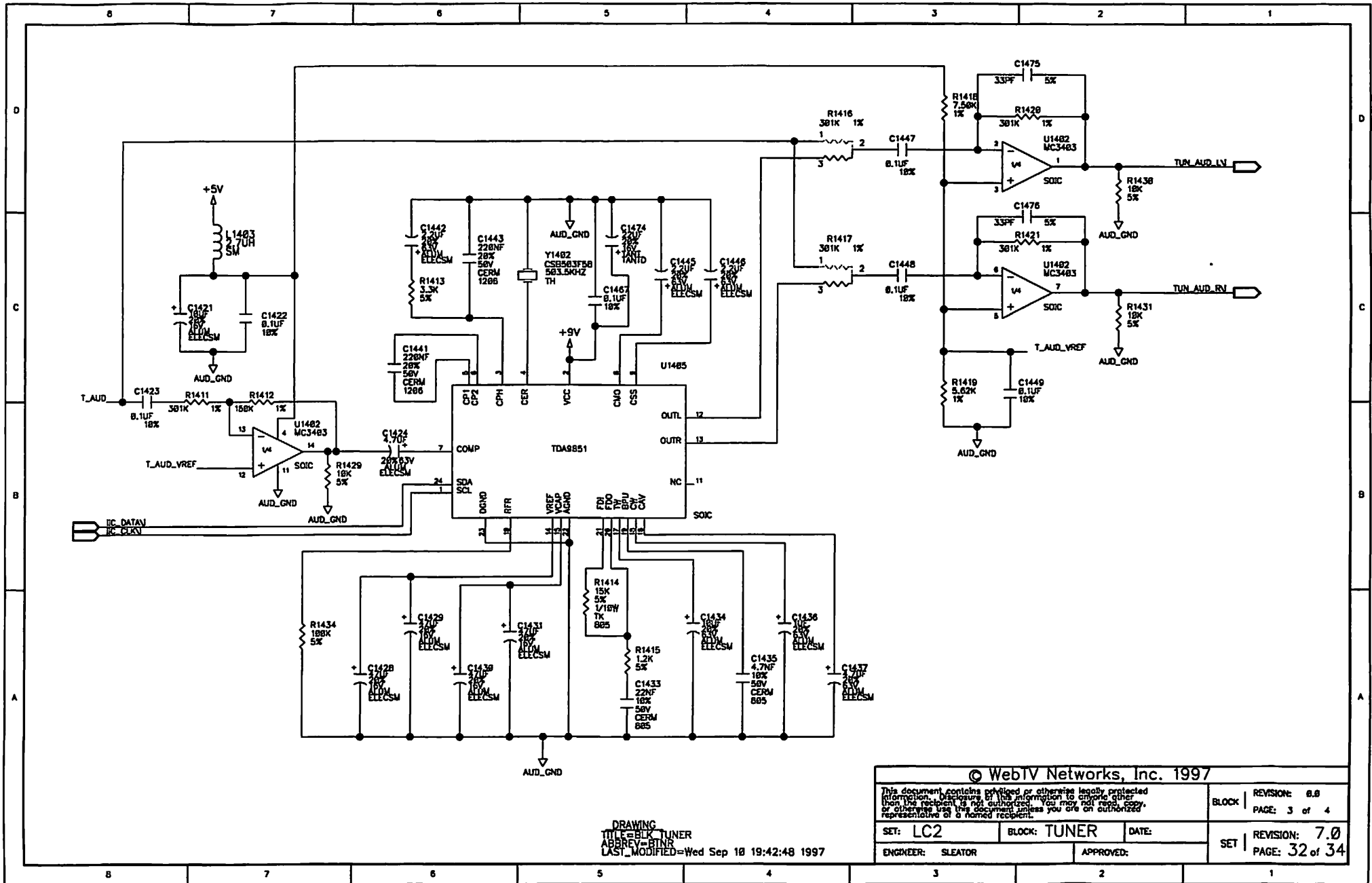


DRAWING
TITLE=BLK_TUNER
ABBREV=BTNR
LAST_MODIFIED=Thu Sep 25 03:03:37 1997

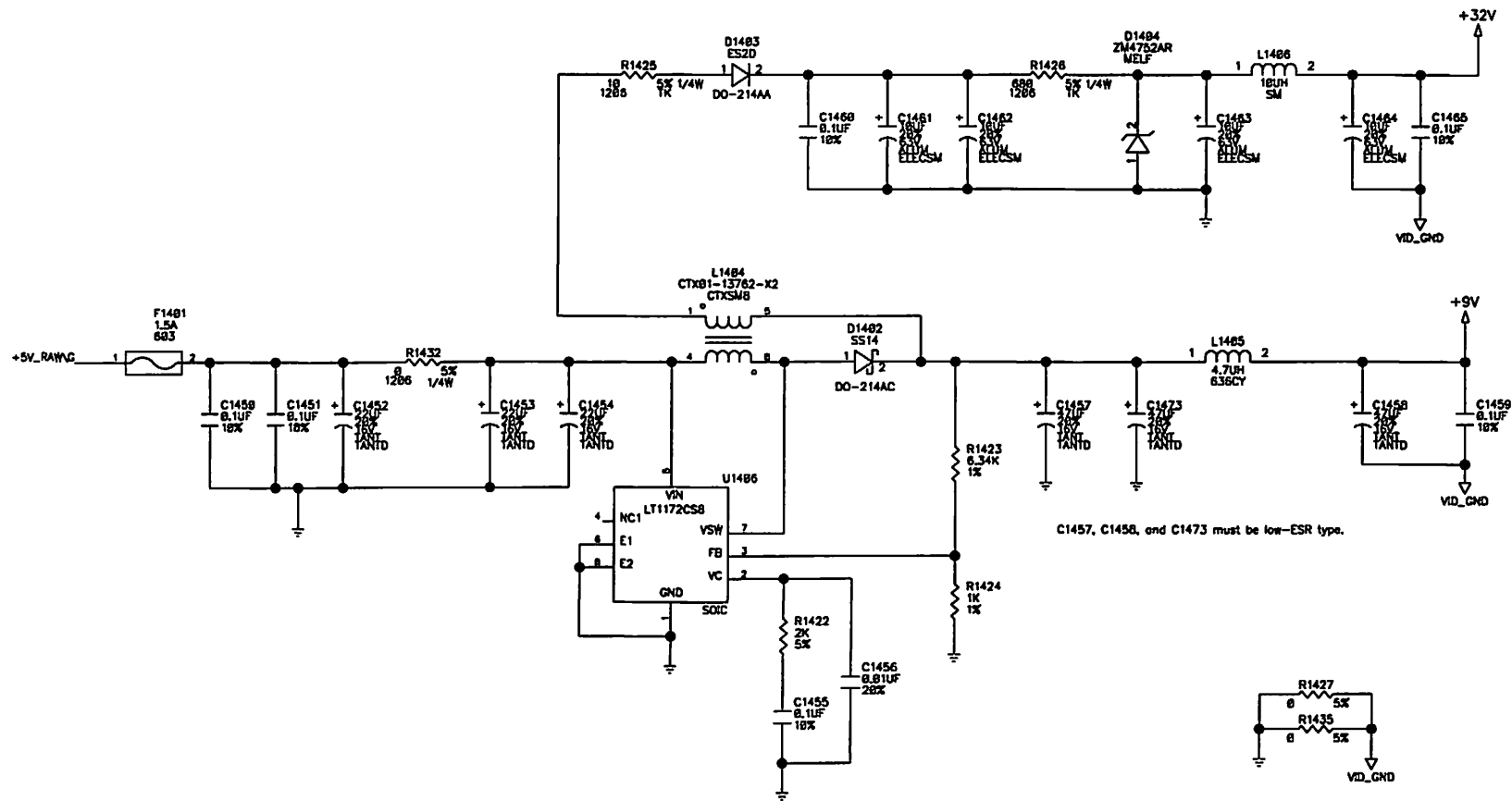
© WebTV Networks, Inc. 1997

This document contains privileged or otherwise legally protected information. Disclosure of this information to anyone other than the recipient is not authorized. You may not read, copy, or otherwise use this document unless you are an authorized representative of a named recipient.

SET: LC2	BLOCK: TUNER	DATE:	REVISION: 6.0
ENGINEER: SLEATOR	APPROVED:		PAGE: 2 of 4
			REVISION: 7.0
			PAGE: 31 of 34



© WebTV Networks, Inc. 1997			
This document contains privileged or otherwise legally protected information. Disclosure of this information to anyone other than the recipient is not authorized. You may not need, copy, or otherwise use this document unless you are an authorized representative of a named recipient.			BLOCK
REVISION: 6.8	PAGE: 3 of 4		
SET: LC2	BLOCK: TUNER	DATE:	REVISION: 7.0
ENGINEER: SLEATOR	APPROVED:		PAGE: 32 of 34



C1457, C1458, and C1473 must be low-ESR type.

TUNER POWER SUPPLY

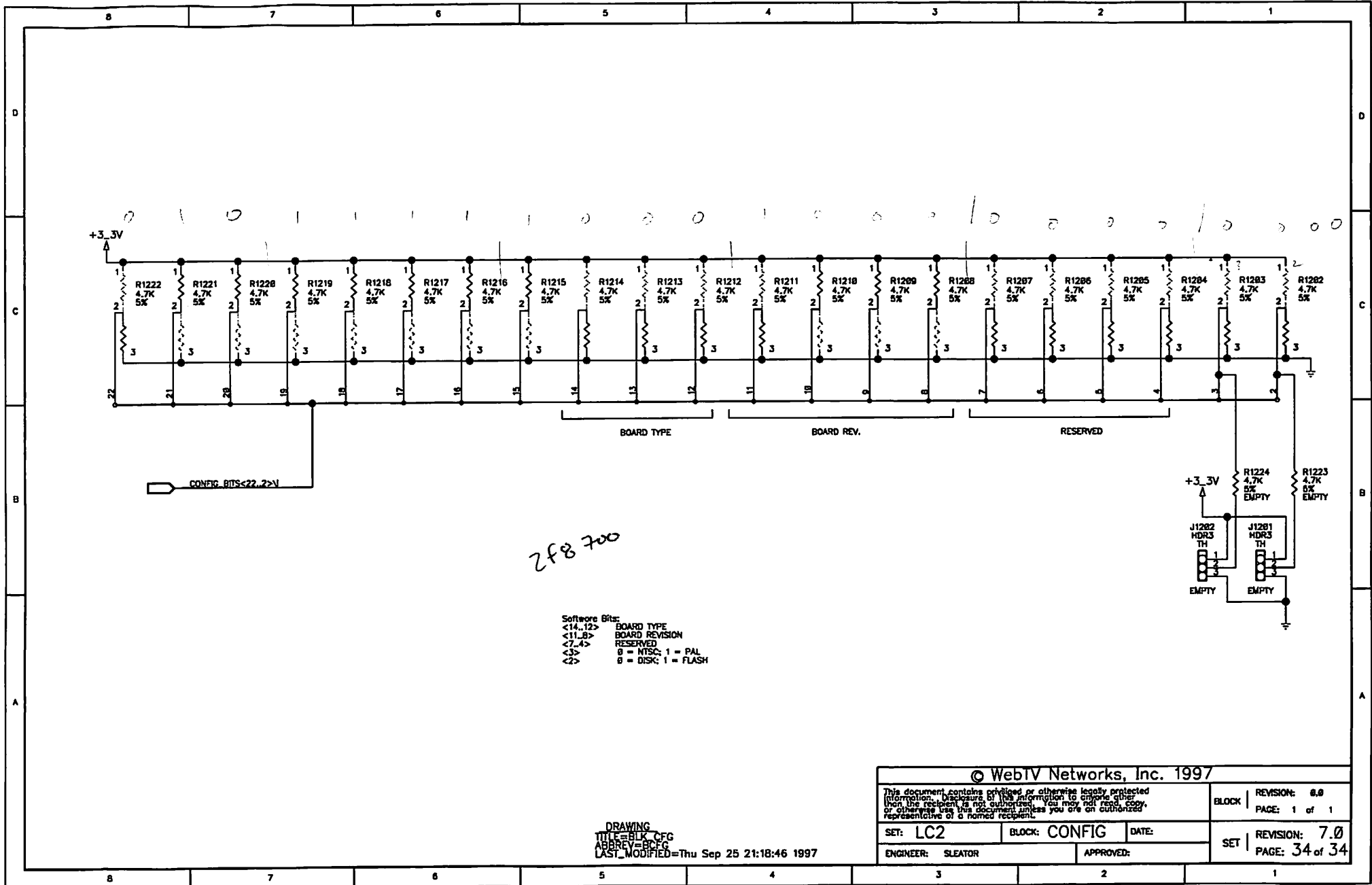
© WebTV Networks, Inc. 1997

This document contains privileged or otherwise legally protected information. Disclosure of this information to anyone other than the recipient is not authorized. You may not read, copy, or otherwise use this document unless you are an authorized representative of a named recipient.

SET: LC2	BLOCK: TUNER	DATE:
ENGINEER: EGNER/SLEATOR	APPROVED:	

BLOCK	REVISION: 0.0
	PAGE: 4 of 4
SET	REVISION: 7.0
	PAGE: 33 of 34

DRAWING
 TITLE=BLK_TUNER
 ABBREV=BTNR
 LAST_MODIFIED=Wed Oct 22 22:57:54 1997



CONFIG BITS<22..2>V

2F8 700

Software Bits:
 <14..12> BOARD TYPE
 <11..8> BOARD REVISION
 <7..4> RESERVED
 <3> 0 = NTSC, 1 = PAL
 <2> 0 = DISK, 1 = FLASH

© WebTV Networks, Inc. 1997		
This document contains privileged or otherwise legally protected information. Disclosure of this information to anyone other than the recipient is not authorized. You may not read, copy, or otherwise use this document unless you are an authorized representative of a named recipient.		REVISION: 6.0 PAGE: 1 of 1
SET: LC2	BLOCK: CONFIG	DATE:
ENGINEER: SLEATOR	APPROVED:	
		REVISION: 7.0 PAGE: 34 of 34

DRAWING
 TITLE = BLDG_CFG
 ABBREV = BLDG_CFG
 LAST_MODIFIED = Thu Sep 25 21:18:46 1997