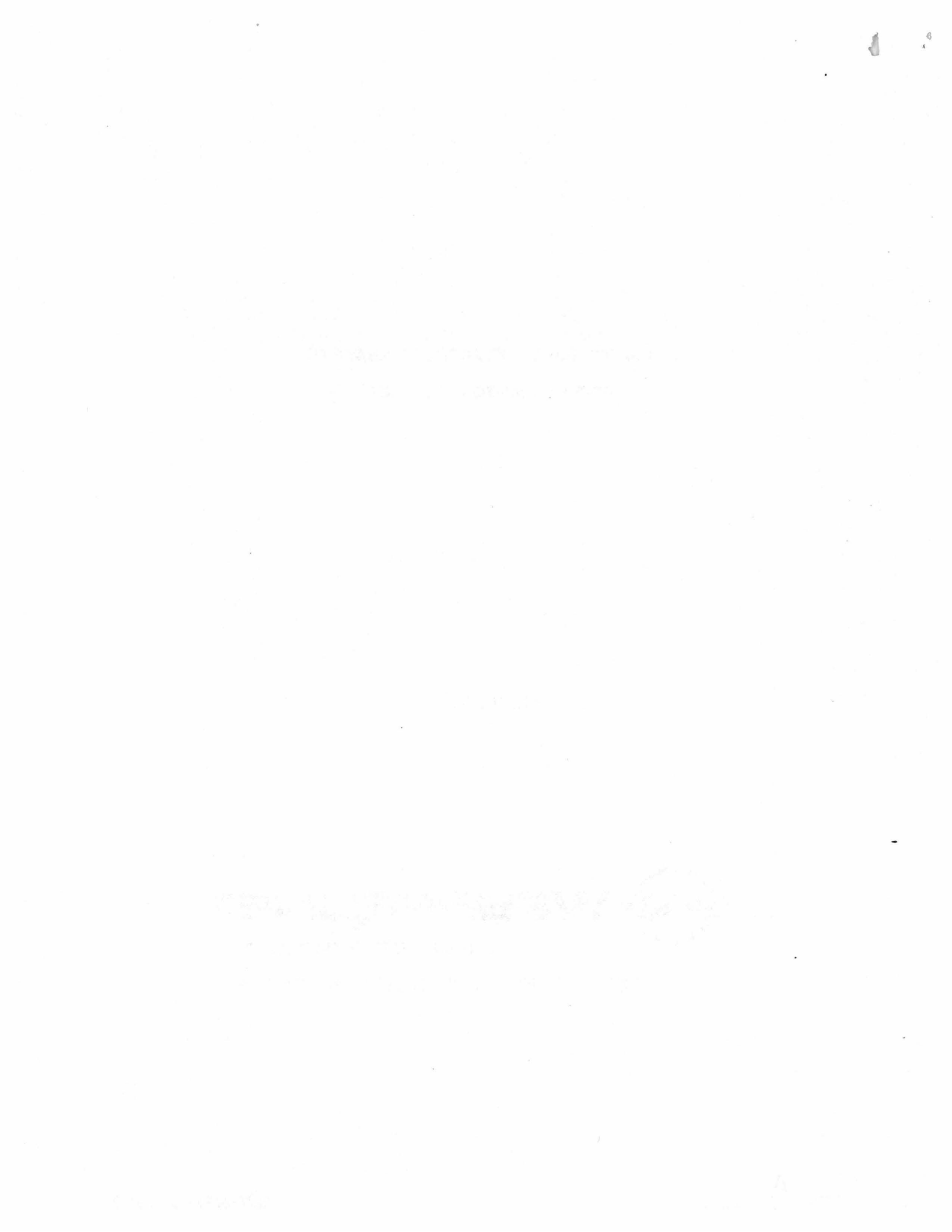


**MODEL WP BA-11 EXPANSION CHASSIS  
DOCUMENTATION PACKAGE**

W91001065



14321 MYFORD RD. TUSTIN, CA 92680 (714)730-6250

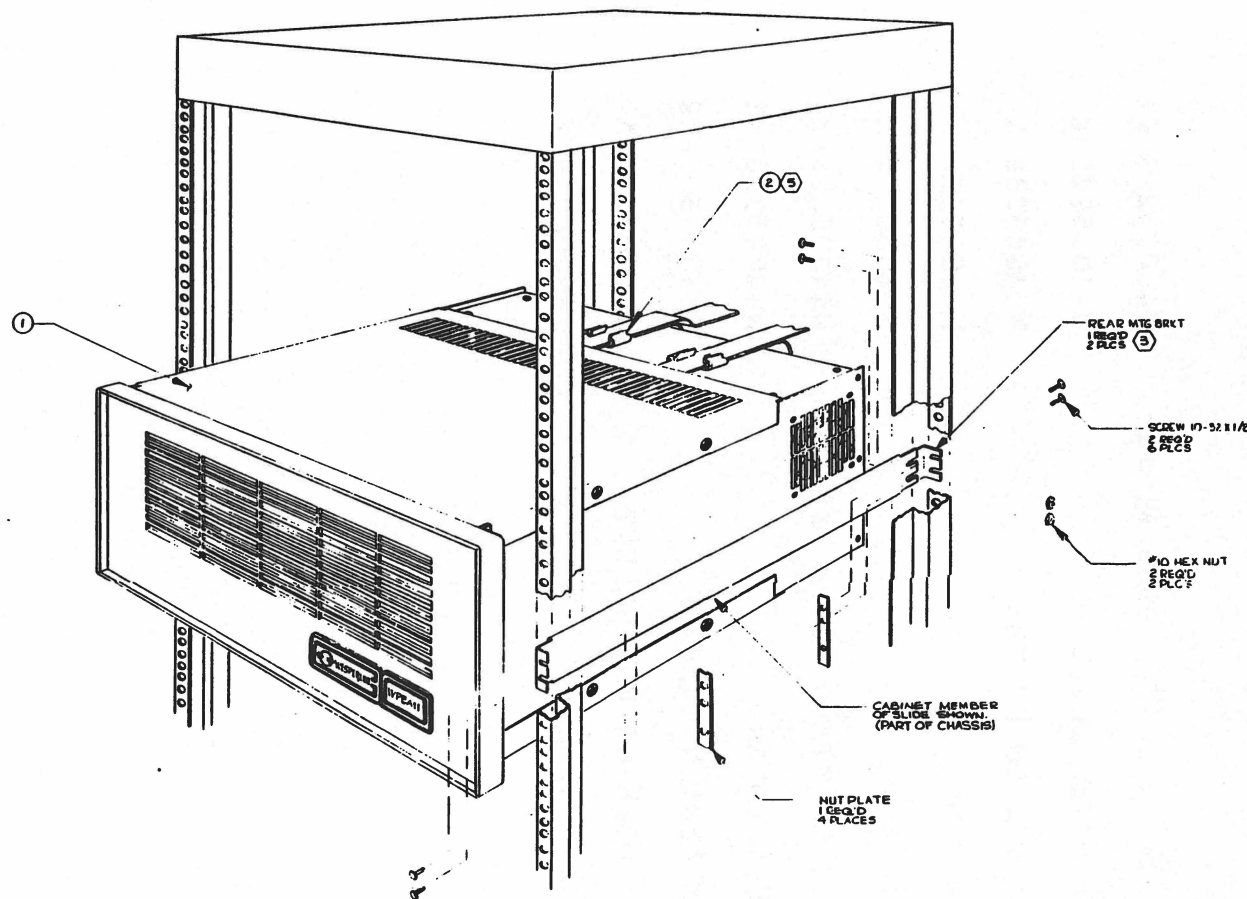


**MODEL WP BA-11 EXPANSION CHASSIS**

**TABLE OF CONTENTS**

<u>DESCRIPTION</u>	<u>DOCUMENT NUMBER</u>
INSTALLATION INSTRUCTION	W44005304 X1
ASSEMBLY - CABLE DD11 DK/CK POWER WP909/WPBA11	W44005213 B1
ASSEMBLY - CABLE BALL POWER SUPPLY	W44005221 X
ASSEMBLY - CABLE BALL TBI TO FILTER	W44005239 X
ASSEMBLY - CABLE BALL FANS	W44005262 X1
ASSEMBLY - CABLE BALL FILTER	W44005270 X
ASSEMBLY - POWER SUPPLY MOUNTING PLATE BALL	W44005288 X
SUBASSEMBLY - BALL FRONT COVER	W44005320 X1
TOP ASSEMBLY - BALL EXPANSION CHASSIS	W44005346 X2
WIRE LIST - BACKPLANE DD11-CK EQUIVALENT	W44004612 A
NATIONAL POWER TECH P/S SCHEMATIC	W51000065 X

REVISIONS				
ZONE	LTR	DESCRIPTION	DATE	APPROVED
X		PILOT REL	6-7-82	[Signature]
XI		ADDED NOTE 6.	11-8-82	[Signature]



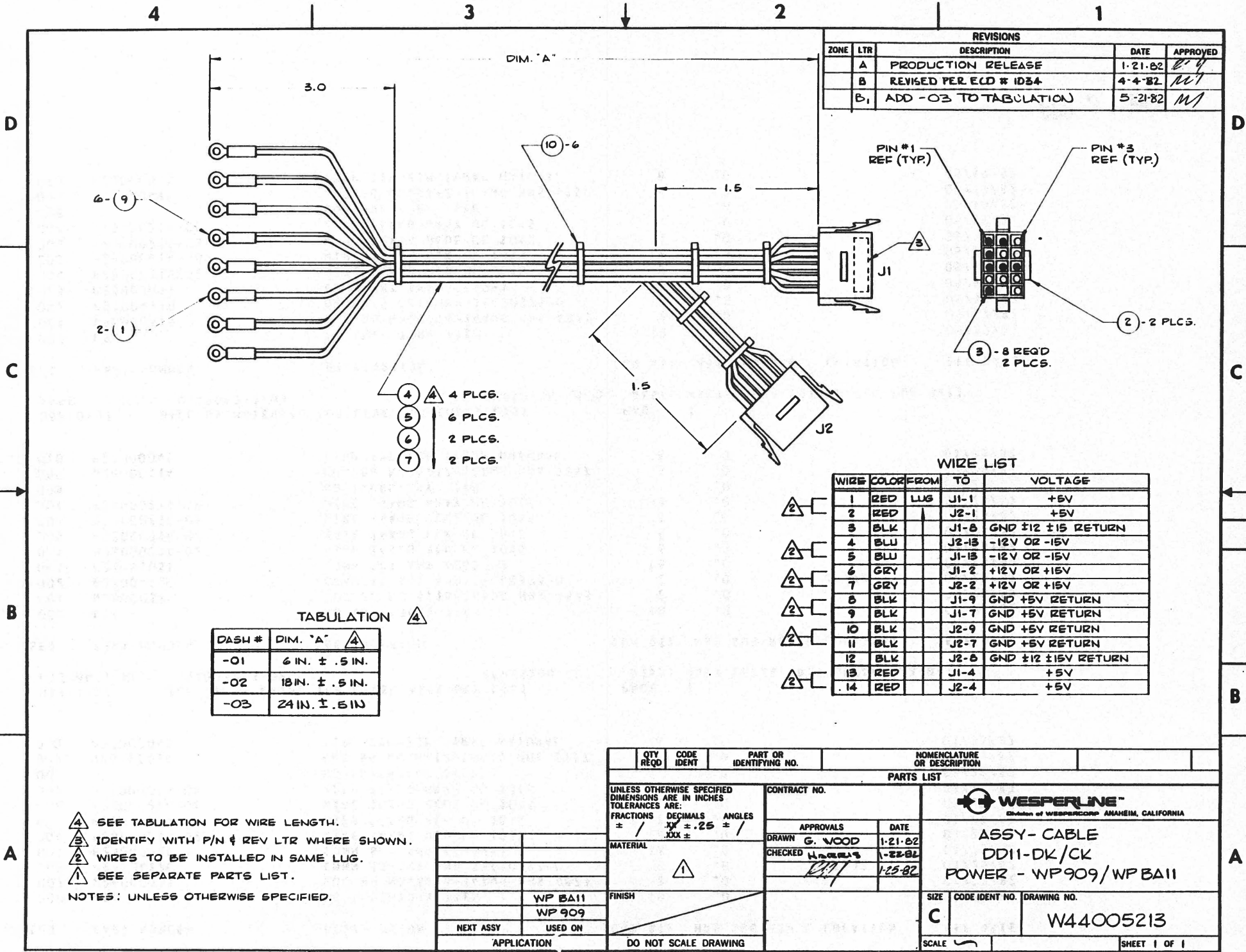
### INSTRUCTIONS

1. REMOVE CABINET MEMBER OF SLIDES FROM CHASSIS.
2. ATTACH SLIDE MTS BRACKETS (1) TO REAR OF CABINET MEMBERS AS SHOWN.
3. ADJUST BRACKETS TO PROPER LENGTH TO FIT INSIDE CABINET VERTICAL RAILS AS SHOWN.
4. INSTALL CHASSIS.
5. LOCATION AND QUANTITY UP TO USERS DISCRETION (4 SUPPLIED)
6. MTS. HARDWARE INCLUDED WITH SLIDES. NOT SUPPLIED EXTRA.

QTY REQ'D	CODE IDENT	PART OR IDENTIFYING NO.	NOMENCLATURE OR DESCRIPTION
PARTS LIST			
UNLESS OTHERWISE SPECIFIED DIMENSIONS ARE IN INCHES. TOLERANCES ARE: FRACTIONS DECIMALS ANGLES		CONTRACT NO.	 <b>INSTALLATION INSTRUCTION</b> <b>WPBA11</b> <b>EXPANSION CHASSIS</b>
MATERIAL		APPROVALS DATE DRAWN [Signature] 4-27-82 CHECKED [Signature] 4-9-82	
FINISH		SIZE CODE IDENT NO. DRAWING NO.	D 44005304
NEXT ASSY USED ON		SCALE	SHEET 1 OF 1
APPLICATION		DO NOT SCALE DRAWING	

8 7 6 5 4 3 2 1





REVISIONS				
ZONE	LTR	DESCRIPTION	DATE	APPROVED
A		PRODUCTION RELEASE	1-21-82	<i>[Signature]</i>
B		REVISED PER ECD # 1034	4-4-82	<i>[Signature]</i>
B <sub>1</sub>		ADD -03 TO TABULATION	5-21-82	<i>[Signature]</i>

TABULATION  $\triangle$ 4

DASH #	DIM. "A"	$\triangle$ 4
-01	6 IN. $\pm$ .5 IN.	
-02	18 IN. $\pm$ .5 IN.	
-03	24 IN. $\pm$ .5 IN.	

WIRE LIST

WIRE	COLOR	FROM	TO	VOLTAGE
1	RED	LUG	J1-1	+5V
2	RED		J2-1	+5V
3	BLK		J1-8	GND $\pm$ 12 $\pm$ 15 RETURN
4	BLU		J2-13	-12V OR -15V
5	BLU		J1-13	-12V OR -15V
6	GRY		J1-2	+12V OR +15V
7	GRY		J2-2	+12V OR +15V
8	BLK		J1-9	GND +5V RETURN
9	BLK		J1-7	GND +5V RETURN
10	BLK		J2-9	GND +5V RETURN
11	BLK		J2-7	GND +5V RETURN
12	BLK		J2-8	GND $\pm$ 12 $\pm$ 15V RETURN
13	RED		J1-4	+5V
14	RED		J2-4	+5V

- $\triangle$ 4 4 PLCS.
- 5 6 PLCS.
- 6 2 PLCS.
- 7 2 PLCS.

- $\triangle$ 4 SEE TABULATION FOR WIRE LENGTH.
  - $\triangle$ 3 IDENTIFY WITH P/N & REV LTR WHERE SHOWN.
  - $\triangle$ 2 WIRES TO BE INSTALLED IN SAME LUG.
  - $\triangle$ 1 SEE SEPARATE PARTS LIST.
- NOTES: UNLESS OTHERWISE SPECIFIED.

QTY REQD	CODE IDENT	PART OR IDENTIFYING NO.	NOMENCLATURE OR DESCRIPTION
PARTS LIST			
UNLESS OTHERWISE SPECIFIED DIMENSIONS ARE IN INCHES TOLERANCES ARE: FRACTIONS .XX $\pm$ .25 $\pm$ / DECIMALS .XXX $\pm$ / ANGLES $\pm$ /		CONTRACT NO.	 Division of WESPERCORP ANAHEIM, CALIFORNIA <b>ASSY - CABLE</b> <b>DD11-DK/CK</b> <b>POWER - WP909/WPBA11</b>
MATERIAL $\triangle$ 1		APPROVALS	
FINISH		DATE	
NEXT ASSY USED ON		CHECKED <i>[Signature]</i>	DATE
APPLICATION		SCALE	DRAWING NO.
DO NOT SCALE DRAWING			W44005213
			SHEET 1 OF 1

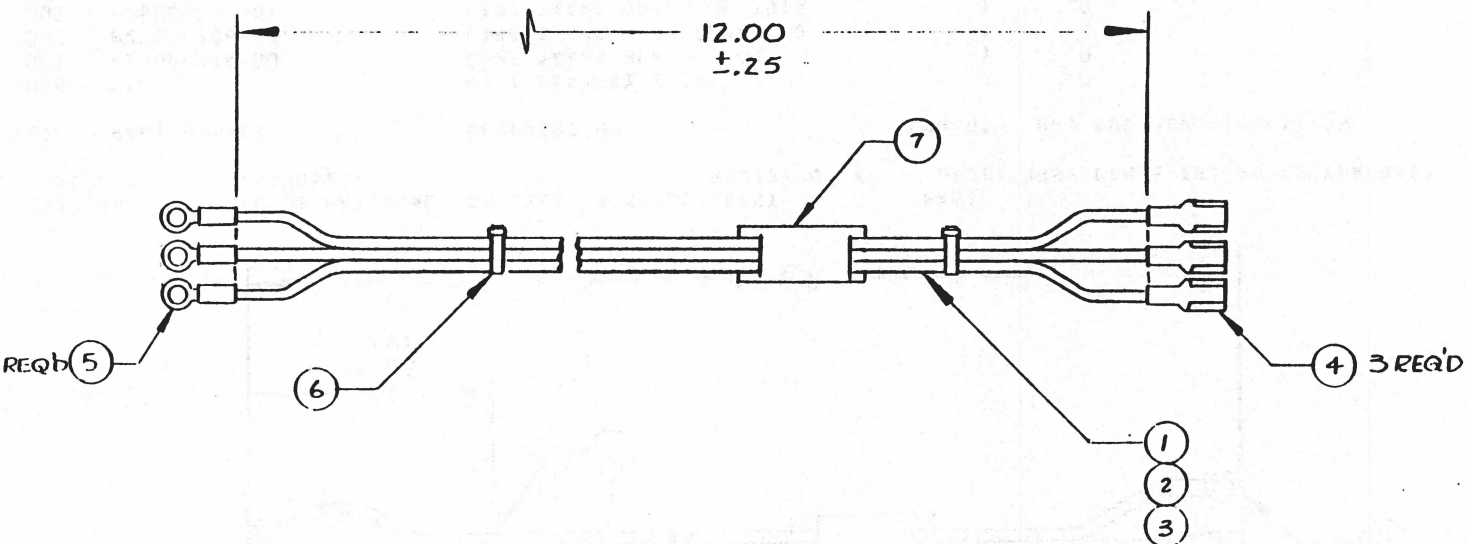
SEQ	PART NUMBER	DESCRIPTION	CON QTY	HRS	SUB	REV	L	LOCATION	EFF DATE
000	LSC	NO INVENTORY ITEM	10	.0					01/25/82
001	W260CC315	LUG RG NO.6;16-14AWG HHS 4873	2	.0					01/25/82
002	P2300412C	CONN 15 SKT AMP 1-480323-0	2	.0				J1,J2	01/25/82
003	P23003031	CONN SKT AMP 60619-1	16	.0					01/25/82
004	P28000214-02	WIRE 14AWG RED UL 1015	2	.0					01/25/82
005	P28000214-00	WIRE 14AWG BLK UL 1015	3	.0					01/25/82
006	P28000214-06	WIRE 14AWG BLUE UL 1015	1	.0					01/25/82
007	P28000214-08	WIRE 14AWG GRAY UL 1015	1	.0					01/25/82
008		NO INVENTORY ITEM		.0					03/29/82
009	W260CC414	LUG RG NO.6;12-10AWG HHS 5157	6	.0					03/29/82
010	P230CG045	TYRP TYB-23M TYRAP NATURAL	6	.0					01/25/82

SEQ	PART NUMBER	DESCRIPTION	CON QTY	HRS	SUB	REV	L	LOCATION	EFF DATE
000	LSC	NO INVENTORY ITEM	10	.0					01/25/82
001	W26000315	LUG RG NO.6;16-14AWG HHS 4873	2	.0					01/25/82
002	P23004120	CONN 15 SKT AMP 1-480323-0	2	.0				J1,J2	01/25/82
003	P23003031	CONN SKT AMP 60619-1	16	.0					01/25/82
004	P28000214-02	WIRE 14AWG RED UL 1015	6	.0					01/25/82
005	P28000214-00	WIRE 14AWG BLK UL 1015	9	.0					01/25/82
006	P28000214-06	WIRE 14AWG BLUE UL 1015	3	.0					01/25/82
007	P28000214-08	WIRE 14AWG GRAY UL 1015	3	.0					01/25/82
008		NO INVENTORY ITEM		.0					03/29/82
009	W260CG414	LUG RG NO.6;12-10AWG HHS 5157	6	.0					03/29/82
010	P23000045	TYRP TYB-23M TYRAP NATURAL	6	.0					01/25/82

SEQ	PART NUMBER	DESCRIPTION	CON QTY	HRS	SUB	REV	L	LOCATION	EFF DATE
000	LSC	NO INVENTORY ITEM	10	.0					05/19/82
001	W26000315	LUG RG NO.6;16-14AWG HHS 4873	2	.0					05/19/82
002	P23004120	CONN 15 SKT AMP 1-480323-0	2	.0				J1,J2	05/19/82
003	P23003031	CONN SKT AMP 60619-1	16	.0					05/19/82
004	P28000214-02	WIRE 14AWG RED UL 1015	8	.0					05/19/82
005	P28000214-00	WIRE 14AWG BLK UL 1015	12	.0					05/19/82
006	P28000214-06	WIRE 14AWG BLUE UL 1015	4	.0					05/19/82
007	P28000214-08	WIRE 14AWG GRAY UL 1015	4	.0					05/19/82
008		NO INVENTORY ITEM		.0					05/19/82
009	W26000414	LUG RG NO.6;12-10AWG HHS 5157	6	.0					05/19/82
010	P23000045	TYRP TYB-23M TYRAP NATURAL	8	.0					05/19/82

APR 2 1982

REVISIONS			
LTR	DESCRIPTION	DATE	APPROVED
X	PILOT RELEASE	4-7-82	<i>[Signature]</i>



05/20/82 BILL OF MATERIAL TOP LEVEL ASSEMBLY LIST  
 ASSEMBLY NO. W44005221 REVISION X

PAGE 1  
 DESC: ASSY-CABLE WPBA11 PWR SUP

PERMANENT RELEASE  
 NOT UNDER CONTROL

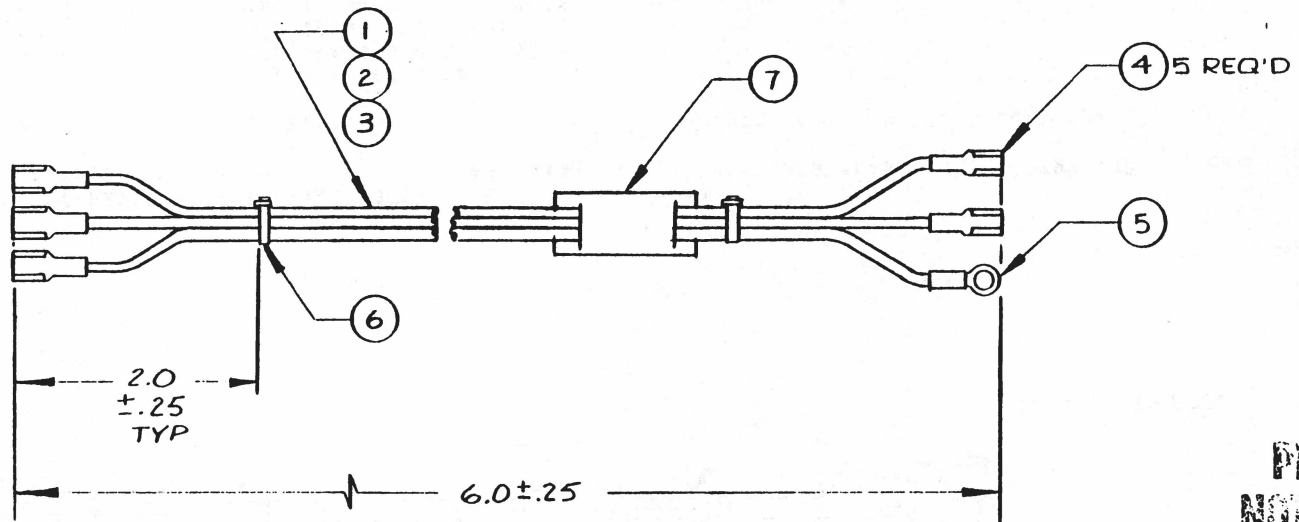
SEQ	PART NUMBER	DESCRIPTION	CON	QTY	HRS	SUB	REV	L	LOCATION
000	LSC	NO INVENTORY ITEM		7	.0				
001	P28000214-00	WIRE 14AWG BLK UL 1015		1	.0				
002	P28000206-09	WIRE 14AWG WHT MIL-W-76B		1	.0				
003	P28000214-05	WIRE 14AWG GREEN UL 1015		1	.0				
004	W26000612	QDLG .250X.032 PAND DV14-250FI		3	.0				
005	W26000216	LUG RG NO.6;22-18AWG HHS 4809		3	.0				
006	P23000045	TYRP TYB-23M TYRAP NATURAL	A/R		.0				
007	P74000001	ID MARKER CABLE IDENT HUGHES		1	.0				

JUN 10 1982

TOLERANCES UNLESS OTHERWISE SPECIFIED		 Division of WESPERCORP ANAHEIM, CALIFORNIA	
FRACTIONS	DEC		
±	±	±	<b>CABLE ASSY, BALL</b> <b>PWR SUPPLY</b>
APPROVALS	DATE		
DRAWN <i>[Signature]</i>	4-7-82	SCALE	NONE
CHECKED		SIZE	
APPLICATION		DRAWING NO.	44-005221
DO NOT SCALE DRAWING			SHEET 1 of 1

44005221	BALL
NEXT REV	USED ON
APPLICATION	

REVISIONS			
LTR	DESCRIPTION	DATE	APPROVED
X	PILOT RELEASE	4-7-82	<i>[Signature]</i>



**PRELIMINARY RELEASE  
NOT UNDER MFG. CONTROL**

05/20/82 BILL OF MATERIAL TOP LEVEL ASSEMBLY LIST PAGE 1  
 ASSEMBLY NO. W44005239 REVISION X DESC: ASSY CABLE TB1 TO FILTER BA11

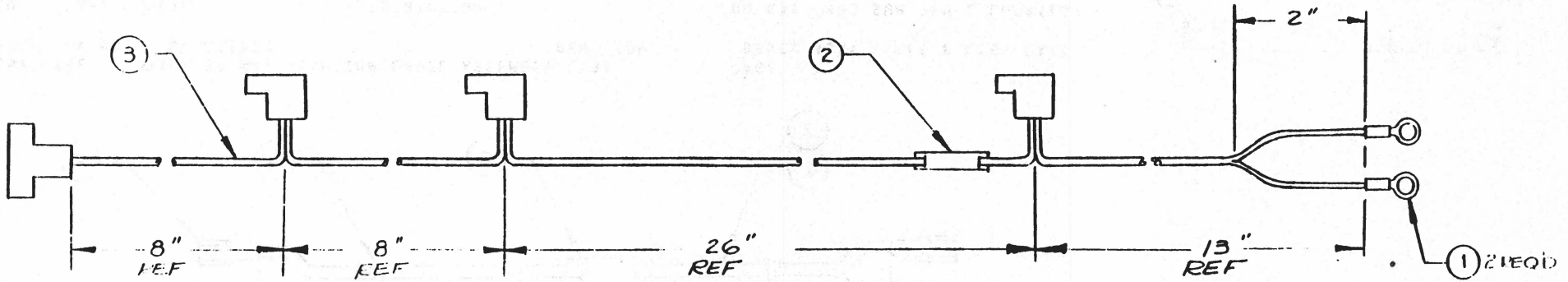
SEQ	PART NUMBER	DESCRIPTION	CON	QTY	HRS	SUB	REV	L	LOCATION
000	LSC	NO INVENTORY ITEM		7			.0		
001	P28000214-00	WIRE 14AWG BLK UL 1015		1			.0		
002	P28000206-09	WIRE 14AWG WHT MIL-W-76B		1			.0		
003	P28000214-05	WIRE 14AWG GREEN UL 1015		1			.0		
004	W26000612	QDLG .250X.032 PAND DV14-250FI		5			.0		
005	W26000216	LUG RG NO.6;22-18AWG MHS 4809		1			.0		
006	P23000045	TYRP TYB-23M TYRAP NATURAL	A/R				.0		
007	P74000001	ID MARKER CABLE IDENT HUGHES		1			.0		

JUN 10 1982

TOLERANCES UNLESS OTHERWISE SPECIFIED		 Division of WESPERCORP ANAHEIM, CALIFORNIA	
FRACTIONS	DEC		
±	±	±	<b>CABLE ASSY BA11 TB1 TO FILTER</b>
APPROVALS	DATE		
DRAWN <i>[Signature]</i>	5-4-82	SCALE	SIZE
CHECKED <i>[Signature]</i>	6-9-82	NONE	DRAWING NO.
APPLICATION		DO NOT SCALE DRAWING	SHEET 1 of 1

44005288	BA11
NEXT ASSY	USED ON
APPLICATION	

REVISIONS			
LTR	DESCRIPTION	DATE	APPROVED
X	PILOT RELEASE	4-7-82	<i>ML</i>
XI	PILOT RELEASE	7-7-82	<i>ML</i>



05/20/82 BILL OF MATERIAL TOP LEVEL ASSEMBLY LIST  
 ASSEMBLY NO. W44005262 REVISION X

PAGE 1  
 DESC: ASSY CABLE PCB FANS BA11

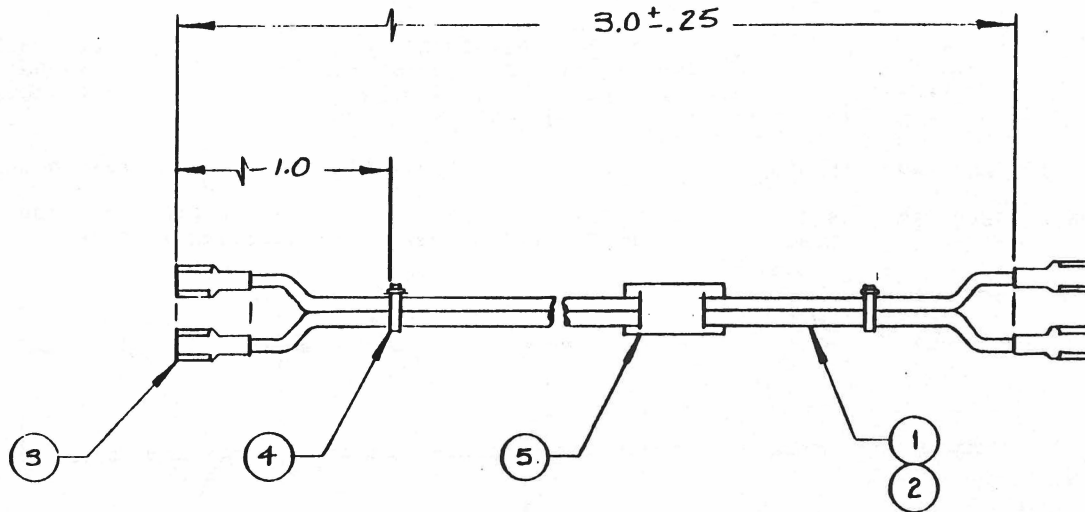
SEQ	PART NUMBER	DESCRIPTION	CON	QTY	HRS	SUB	REV	L	LOCATION
000	LSC	NO INVENTORY ITEM	3		.0				
001	W26000216	LUG RG NO.6;22-18AWG HHS 4809	2		.0				
002	P74000001	ID MARKER CABLE IDENT HUGHES	1		.0				
003	W49000037	FAN CORD-COMPUTER CRAFT CC4082	1		.0				

**PRELIMINARY RELEASE  
 NOT UNDER REV. CONTROL**

JUL 08 1982

TOLERANCES UNLESS OTHERWISE SPECIFIED FRACTIONS DEC ANGLES ± ± ±		 Division of WESPERCORP ANAHEIM, CALIFORNIA	
APPROVALS		DATE	
DRAWN <i>ML</i>		3-3-82	
CHECKED <i>ML</i>		6-9-82	
SCALE 1		SIZE B	DRAWING NO. 44005262
DO NOT SCALE DRAWING			SHEET 1/1

REVISIONS			
LTR	DESCRIPTION	DATE	APPROVED
X	PILOT RELEASE	4-6-82	<i>[Signature]</i>



05/20/82 BILL OF MATERIAL TOP LEVEL ASSEMBLY LIST  
 ASSEMBLY NO. W44005270 REVISION X

PAGE 1  
 DESC: ASSY CABLE FILTER BA11

SEQ	PART NUMBER	DESCRIPTION	CON	QTY	HRS	SUB	REV	L	LOCATION
000	LSC	NO INVENTORY ITEM		5	.0				
001	P28000206-09	WIRE 14AWG WHT MIL-W-76B		1	.0				
002	P28000214-00	WIRE 14AWG BLK UL 1015		1	.0				
003	W26000612	QDLG .250X.032 PAND DV14-250FI		4	.0				
004	P23000045	TYRP TYB-23M TYRAP NATURAL		2	.0				
005	P74000001	ID MARKER CABLE IDENT HUGHES		1	.0				

PRELIMINARY RELEASE  
 NOT FOR PRODUCTION CONTROL

JUN 10 1982

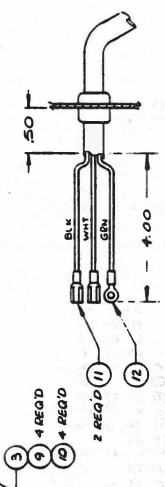
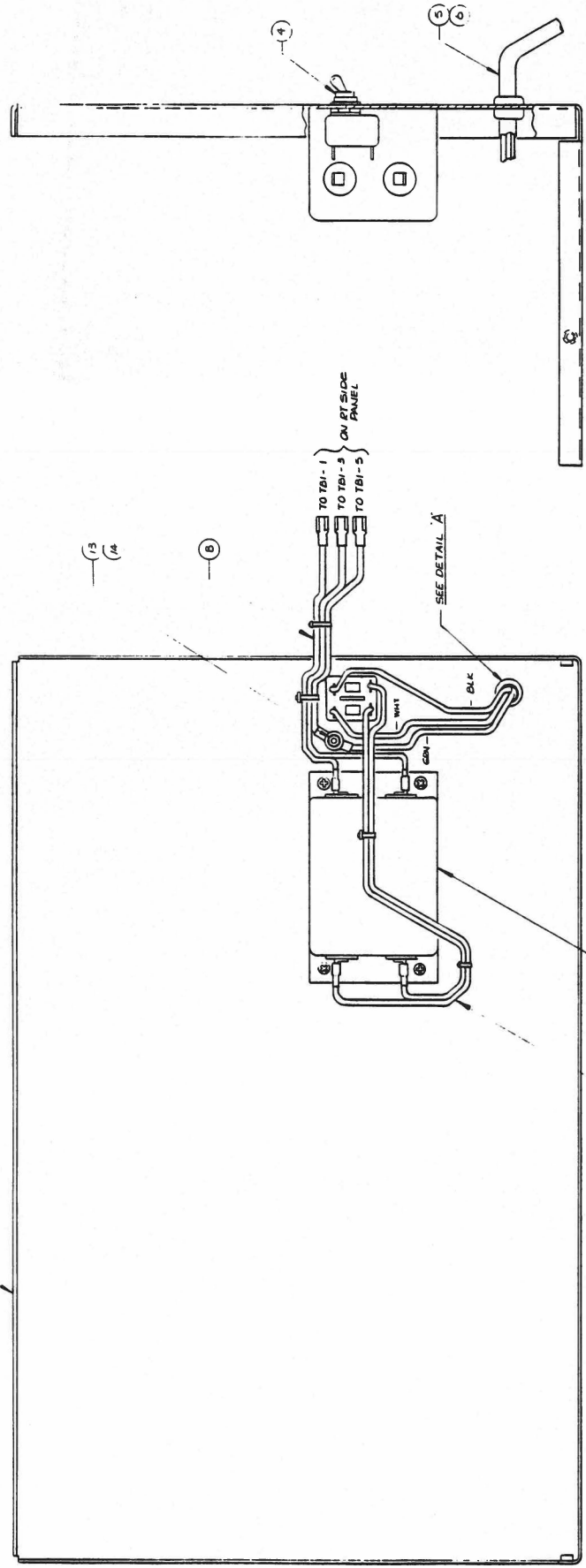
44005288	BA11
NEXT ASSY	USED ON
APPLICATION	

TOLERANCES UNLESS OTHERWISE SPECIFIED FRACTIONS DEC ANGLES ± ± ±		 Division of WESPERCORP ANAHEIM, CALIFORNIA	
APPROVALS DRAWN <i>[Signature]</i> 4-6-82 CHECKED <i>[Signature]</i> 6-9-82		CABLE ASSY, BA11 FILTER	
SCALE $\frac{1}{1}$		SIZE <b>B</b>	DRAWING NO. 44005270
DO NOT SCALE DRAWING			SHEET 1 of 1



1 2 3 4 5 6 7 8

ZONE	REV	DESCRIPTION	DATE	APPROVED
X	1	PLATE MOUNTING	2/22/71	[Signature]



QTY	CODE	PART OR	NOMENCLATURE
REQD	DEPT	IDENTIFYING NO	OR DESCRIPTION
			PARTS LIST

CONTRACT NO	DATE	APPROVALS
	8-1-71	[Signature]
	6/7/71	[Signature]

WARRANTY	USED ON	APPLICATION
W44005346	BA 11	
NET ASY		

FINISH	DO NOT SCALE DRAWING

SIZE	CODE	DEPT	NO	CONTAINING NO
D				

SCALE	SHEET	1 OF 1
1-1	2	1

WESPERLINE  
ASSEMBLY  
PWP SUPPLY MTG.  
PLATE BA 11  
44005346

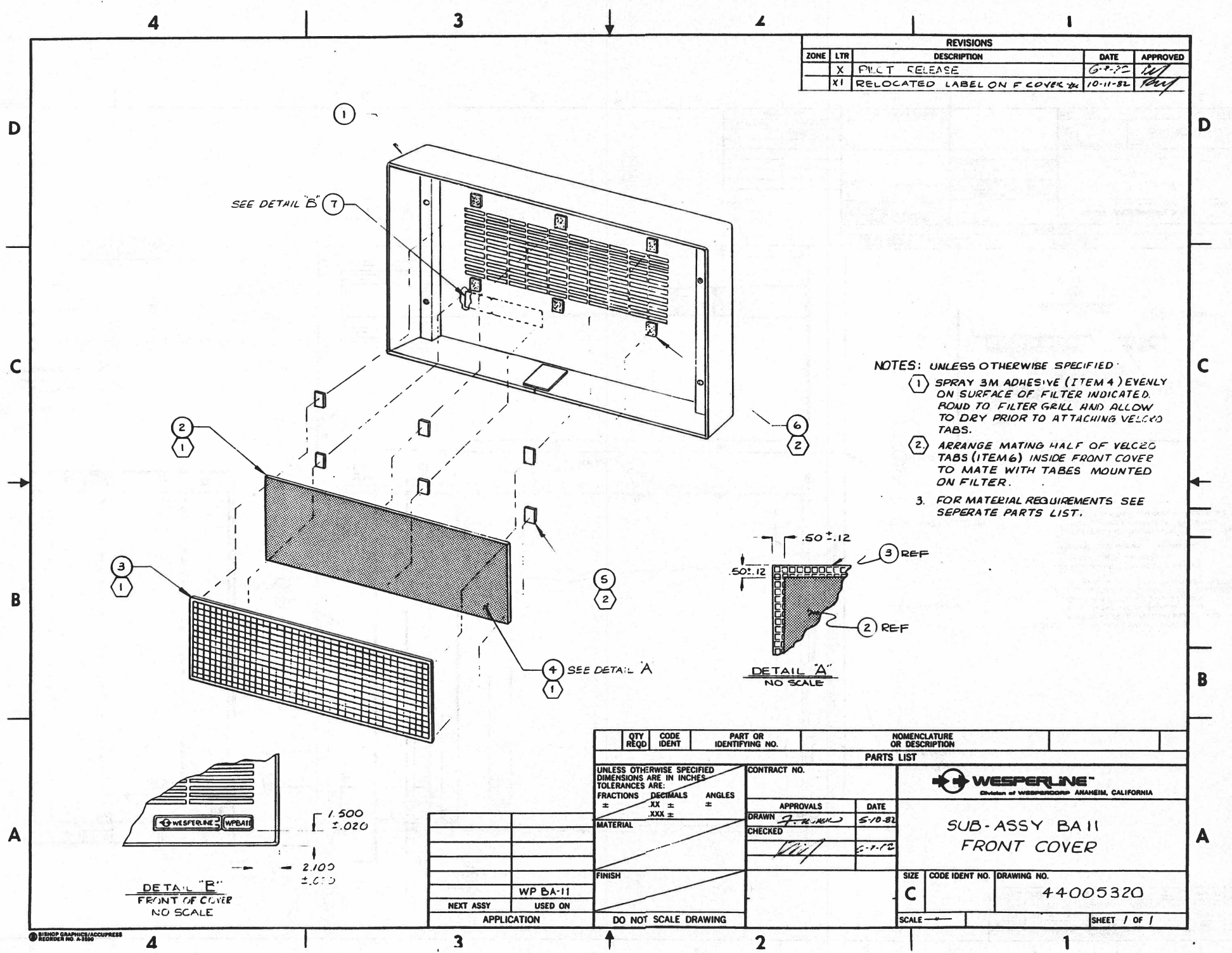
SEQ	PART NUMBER	DESCRIPTION	CON	QTY	HRS	SUB	REV	L	LOCATION	EFF DATE
000	LSC	NO INVENTORY ITEM		14						05/19/82
001	W44005197-X	PWR SUP MTG PLATE WPBA11		1						05/19/82
002		NO INVENTORY ITEM								05/19/82
003	W29001104	FILTER RFI 10AMP APFS1000L CDI		1						05/19/82
004	W24000523	CB 10A AIRPAX T21-O-10A-01-11A		1						05/19/82
005	W28000115	PWR CRD ELECTRO CORD E3017/8FT		1						05/19/82
006	W29000031	CLMP SR6P3-4 STRAIN RELIEF		1						05/19/82
007	W44005270	ASSY CABLE FILTER BA11		1					S	05/19/82
008	W44005239	ASSY CABLE TB1 TO FILTER BA11		1					S	05/19/82
009	W47000336	SCR 6-32X5/16PHPH MS51957-27		4						05/19/82
010	W48000038	WASHER 6 FLAT MS 15795-805		4						05/19/82
011	W26000612	QDLG .250X.032 PAND DV14-250FI		2						05/19/82
012	W26000216	LUG RG NO.6;22-18AWG HHS 4809		1						05/19/82
013	W46000022	NUT 6-32 HEX MS 35649-264		1						05/19/82
014	W48000723	WASHER 6 INT TH MS35333-71		1						05/19/82

PLEASE RETURN TO  
 NOT UNDER MFG. CONTROL

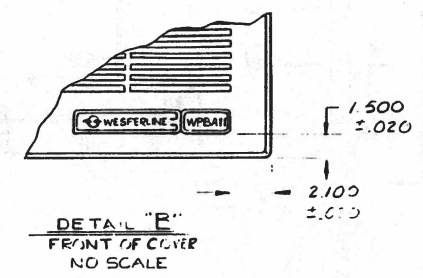
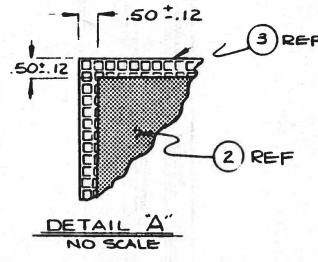
JUN 10 1982



REVISIONS				
ZONE	LTR	DESCRIPTION	DATE	APPROVED
	X	PILOT RELEASE	6-7-82	<i>[Signature]</i>
	XI	RELOCATED LABEL ON F COVER	10-11-82	<i>[Signature]</i>

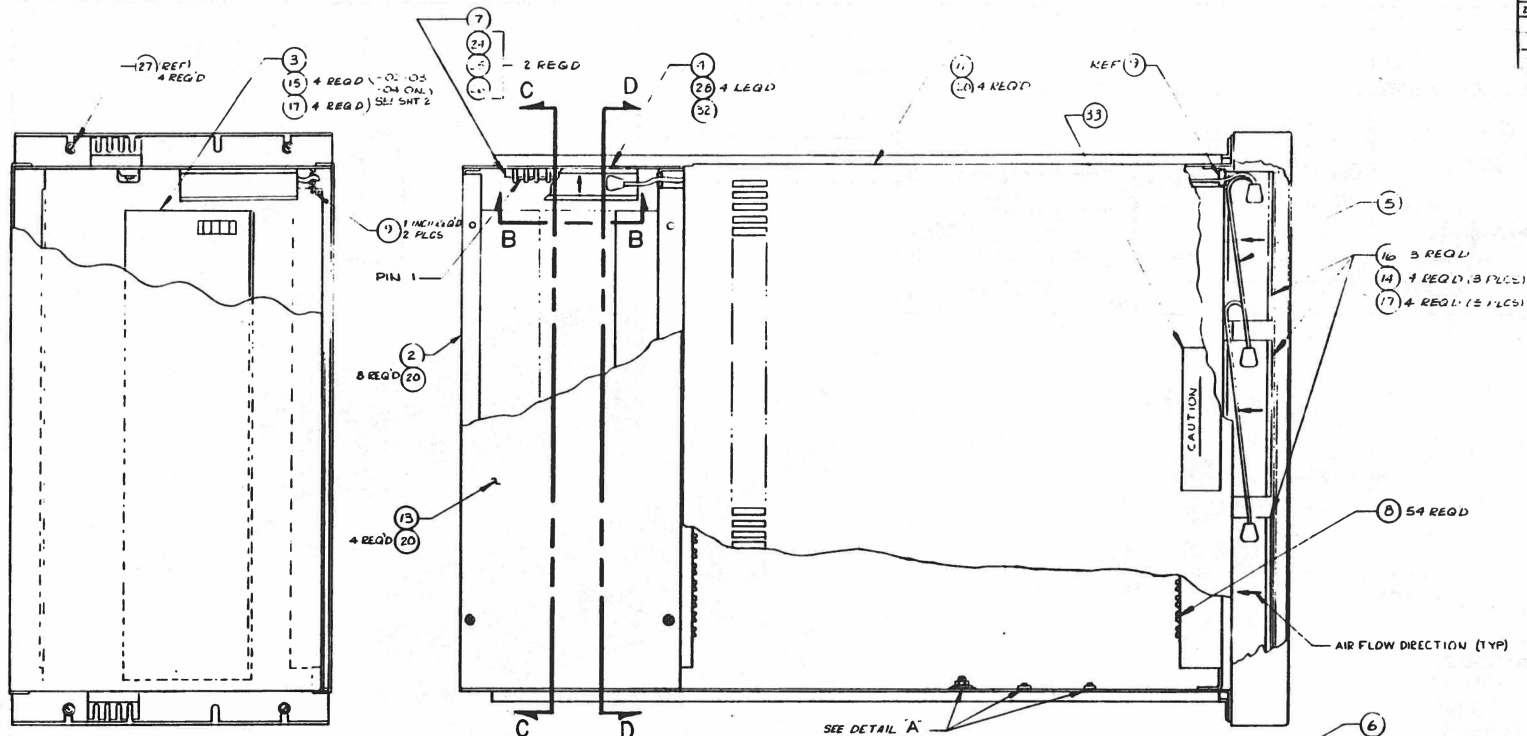


- NOTES: UNLESS OTHERWISE SPECIFIED:
- 1 SPRAY 3M ADHESIVE (ITEM 4) EVENLY ON SURFACE OF FILTER INDICATED. ROND TO FILTER GRILL AND ALLOW TO DRY PRIOR TO ATTACHING VELCRO TABS.
  - 2 ARRANGE MATING HALF OF VELCRO TABS (ITEM 6) INSIDE FRONT COVER TO MATE WITH TABS MOUNTED ON FILTER.
  - 3 FOR MATERIAL REQUIREMENTS SEE SEPERATE PARTS LIST.

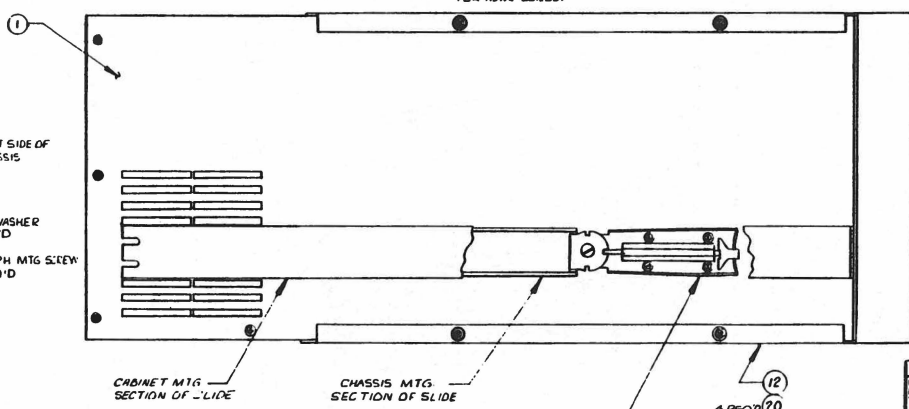
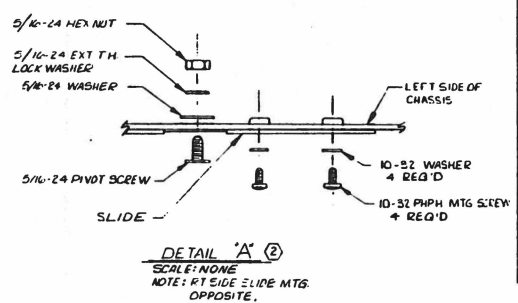


QTY REQD	CODE IDENT	PART OR IDENTIFYING NO.	NOMENCLATURE OR DESCRIPTION
PARTS LIST			
UNLESS OTHERWISE SPECIFIED DIMENSIONS ARE IN INCHES. TOLERANCES ARE:		CONTRACT NO.	
FRACTIONS	DECIMALS	ANGLES	APPROVALS
±	.XX ±	±	DATE
±	.XXX ±	±	<i>[Signature]</i> 5-10-82
MATERIAL	FINISH	DO NOT SCALE DRAWING	DATE
			<i>[Signature]</i> 5-11-82
WP BA-11			
NEXT ASSY	USED ON		
APPLICATION			
WESPERLINE™ Division of WESPERSOUP ANAHEIM, CALIFORNIA		SUB-ASSY BA11 FRONT COVER	
SIZE	CODE IDENT NO.	DRAWING NO.	
C		44005320	
SCALE			SHEET / OF /

REVISIONS				
ZONE	LTR	DESCRIPTION	DATE	APPROVED
	X	PILOT ELEMENTS	5-27-82	
	X	ADDED CAUTION LABEL FRONT COVER	8-25-82	
	32	ADDED BULB WIRE TO J1 CON	10-11-82	

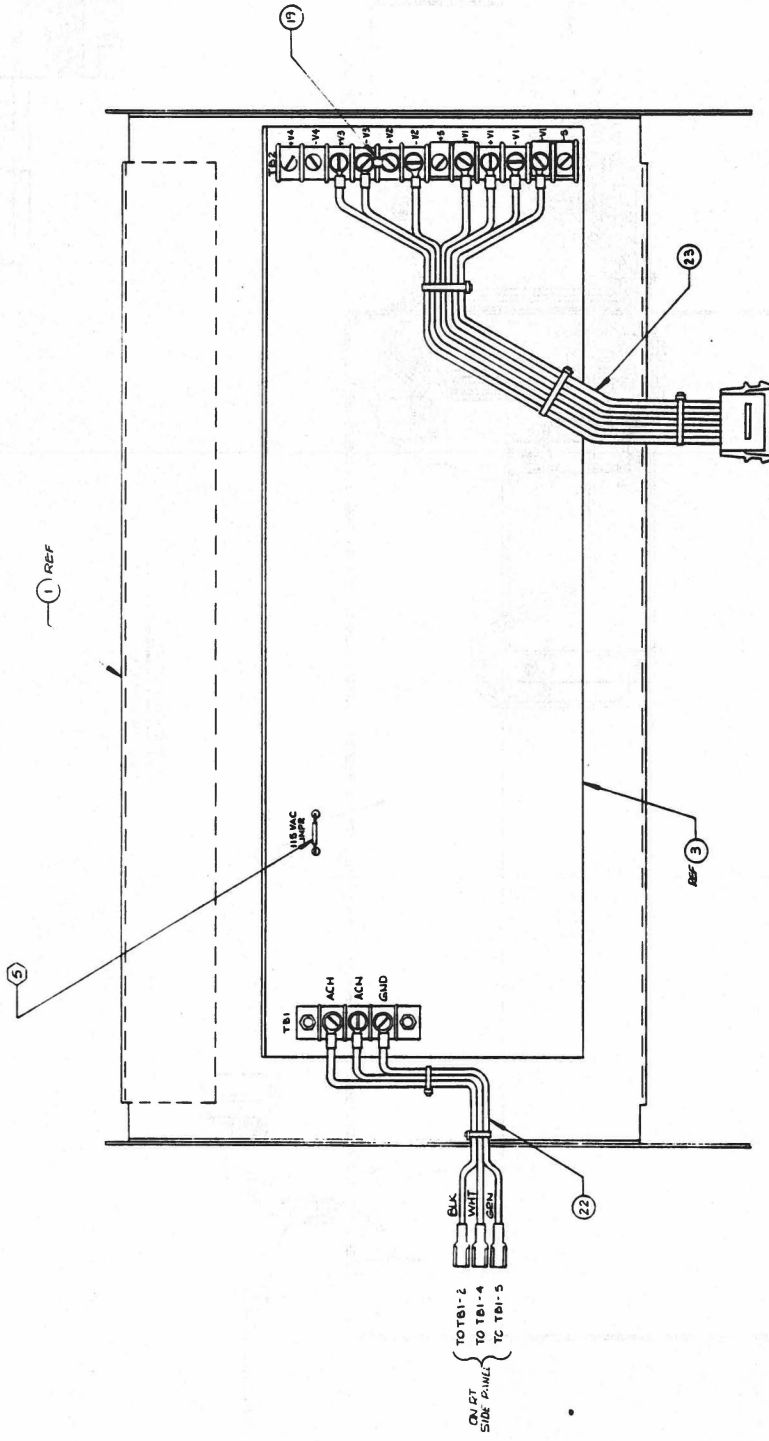


NOTES: UNLESS OTHERWISE SPECIFIED  
 1. FOR MATERIAL REQUIREMENTS AND VARIATIONS TO ASSEMBLIES REF Q/M 44005288, 01-01-03.  
 2. ALL HARDWARE FOR MTG SLIDES SUPPLIED BY VEND. ASSEMBLY AS SHOWN IN DETAIL A.  
 3. FOR FRONT COVER ASSY REF ASSY DWA 44305189.  
 4. WIRE PER WIRING DIAGRAM ON SHIT 5.  
 5. FOR 230VAC UNITS (-05, -06, -07, -08.) CUT JUMPER INDICATED REGR TO INSTALLATION, ON ALL PWR SUPPLIES USED.



QTY REQ'D	CODE IDENT	PART OR IDENTIFYING NO	ABBREVIATURE OR DESCRIPTION
PARTS LIST			
UNLESS OTHERWISE SPECIFIED DIMENSIONS ARE IN INCHES TOLERANCES ARE FRACTIONS DECIMALS ANGLES		CONTRACT NO.	
MATERIAL		APPROVALS	
FINISH		DATE	
NEXT ASSY USED ON		DRAWN	
APPLICATION		CHECKED	
DO NOT SCALE DRAWING		DATE	
		WESPERLINE	
		Division of WESPERLINE TUBAL CALIFORNIA	
		TOTAL EXTENSIVE	
		EA-11	
		EXPANSION CHASSIS	
		CODE IDENT NO	
		DRAWING NO	
		W44005346	
		SCALE 1/2	
		SHEET 1 OF 5	

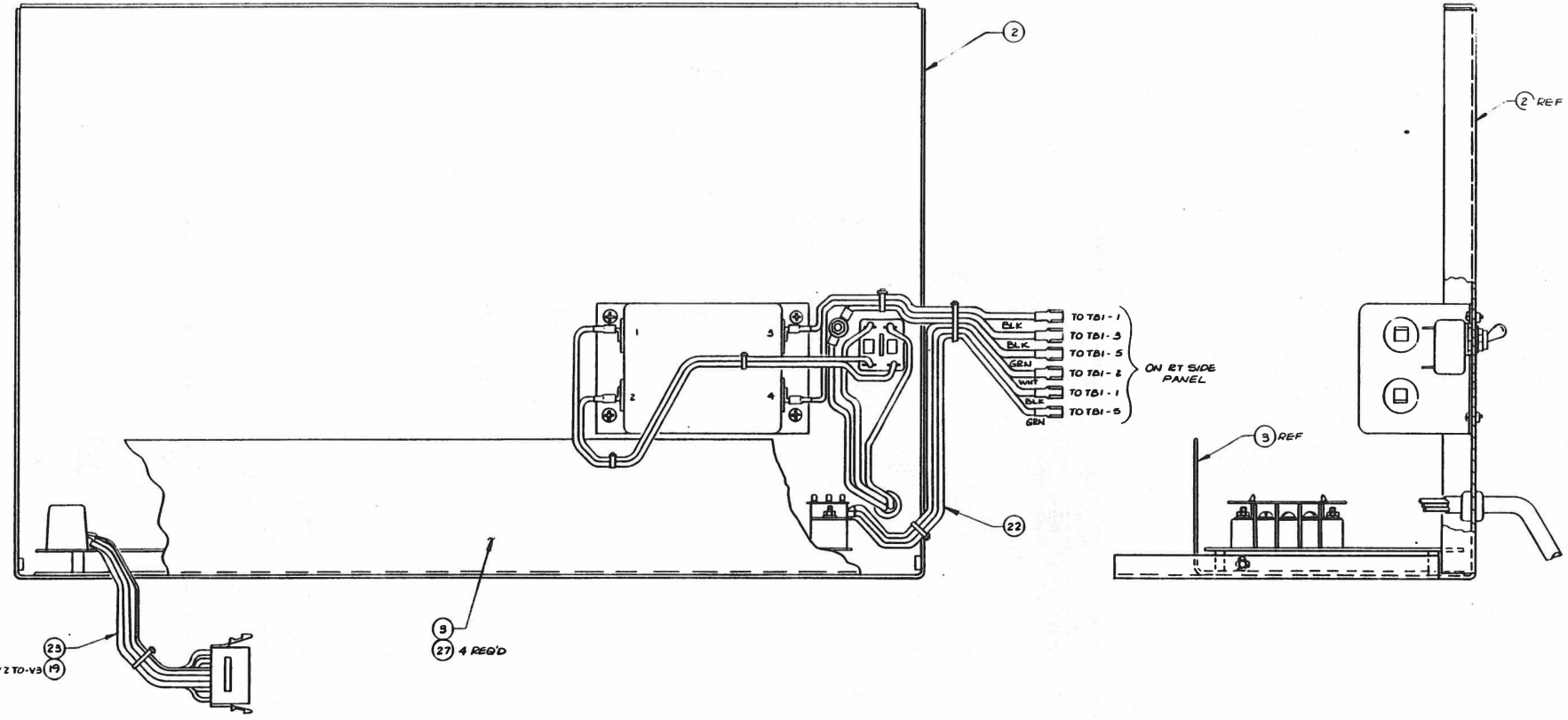
1 2 3 4 5 6 7 8



SECTION D-D  
P/S ASSY FOR -O2; O3; -O4

1 2 3 4 5 6 7 8

REVISES		DESCRIPTION	DATE	APPROVED
JOHN	LTR			



JMPR FROM V2 TO V3  
25  
19

9  
27 4 REQ'D

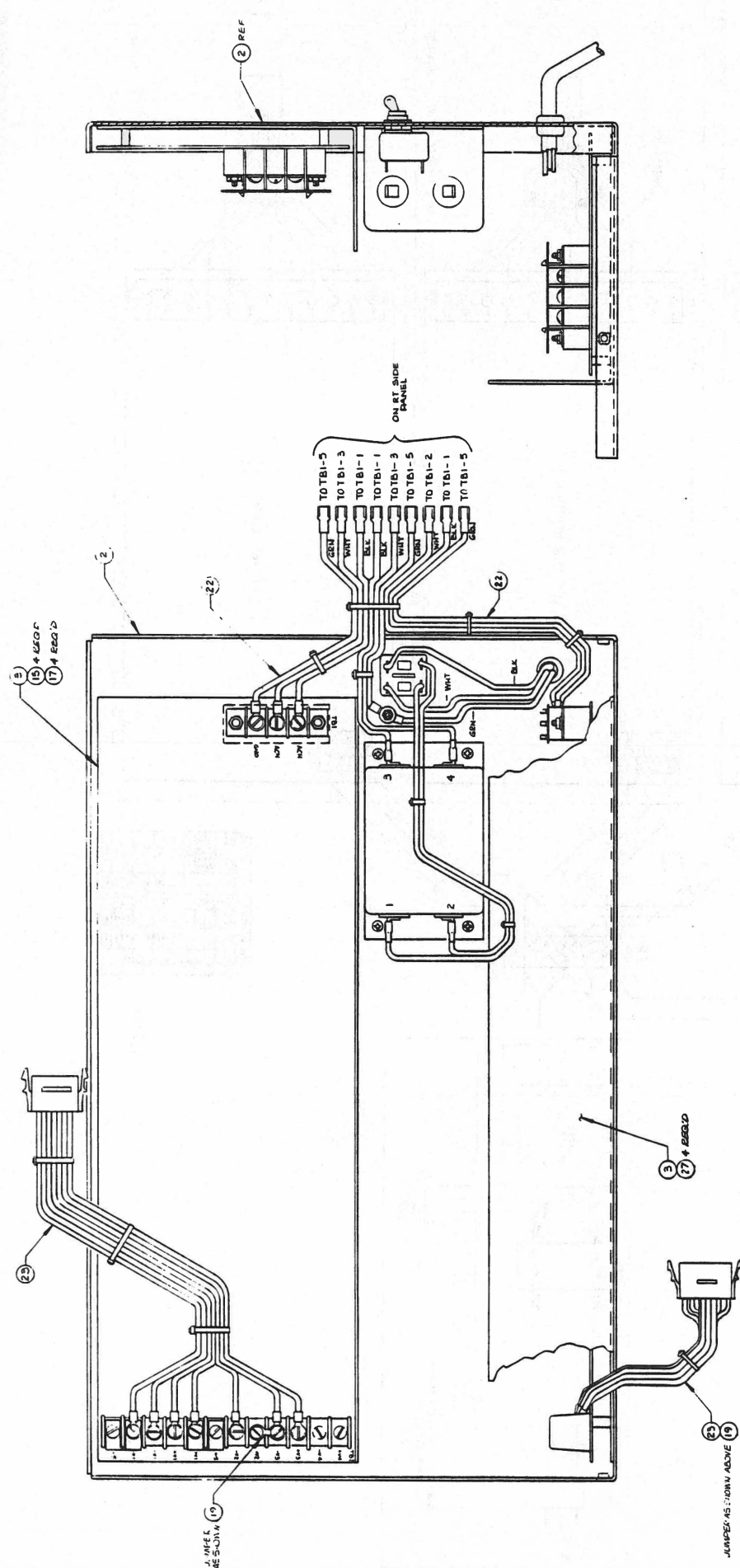
SECTION C-C  
-03 ASSEMBLY

QTY REQD	CODE IDENT	PART OR IDENTIFYING NO	NOMENCLATURE OR DESCRIPTION
PARTS LIST			
UNLESS OTHERWISE SPECIFIED DIMENSIONS ARE IN INCHES TOLERANCES ARE FRACTIONS    DECIMALS    ANGLES ±                ±                ±		CONTRACT NO	
MATERIAL		APPROVALS	DATE
FINISH		DRAWN <i>J. F. B.</i>	5-19-61
NEXT ASSY USED ON		CHECKED	
APPLICATION		DO NOT SCALE DRAWING	

<b>WESPERLINE</b> <small>Division of WESPER INDUSTRIES, TUSTIN, CALIFORNIA</small>	
TOP ASSEMBLY WPBA11 EXP CHASSIS	
SIZE <b>D</b>	CODE IDENT NO DRAWING NO W44005346
SCALE 1-1	SHEET 3 OF 6

REVISES	DATE	APPROVED



**SECTION C-C  
- DA - ASSEMBLY**

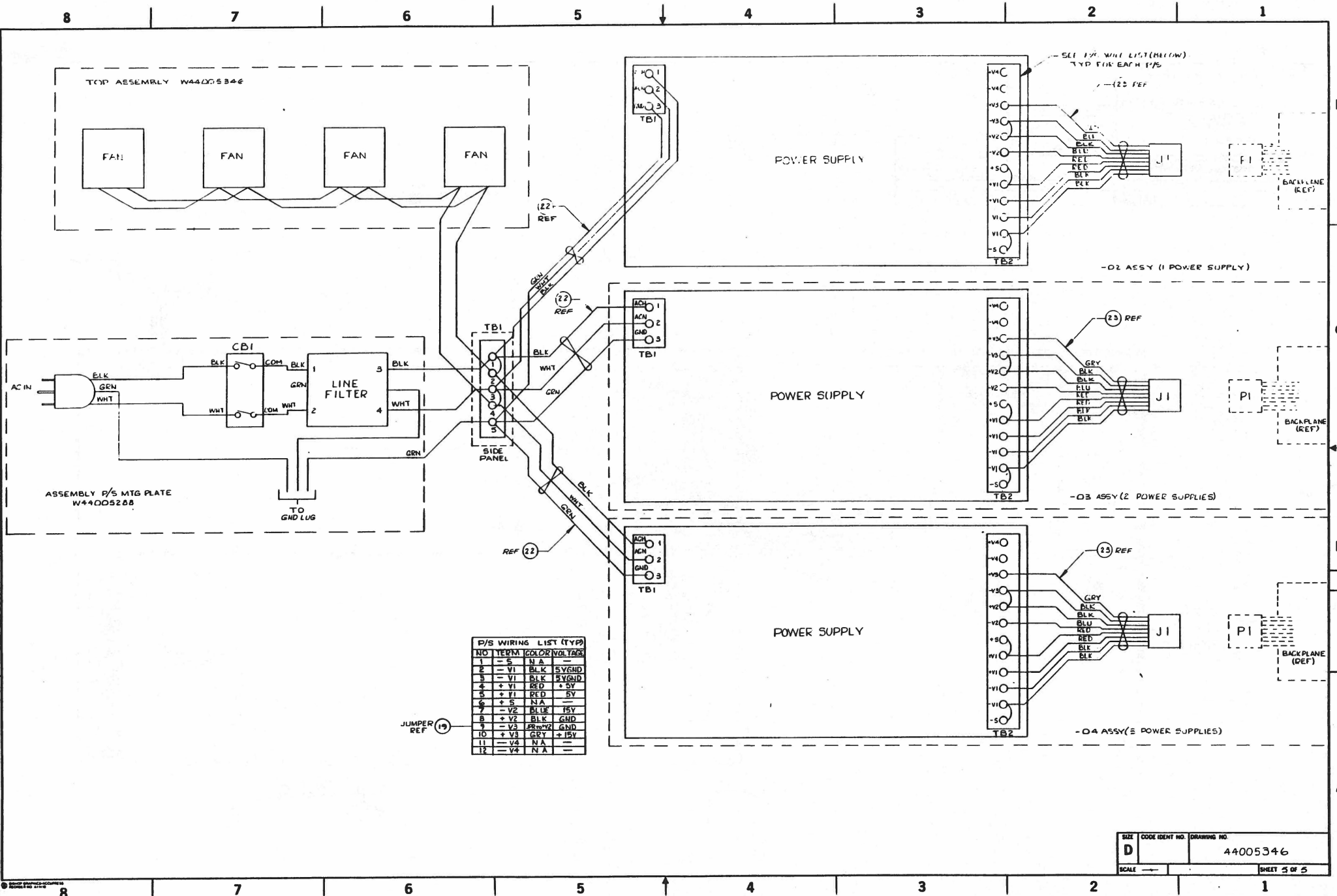
<b>QTY</b>	<b>CODE</b>	<b>DATE</b>	<b>PART OR IDENTIFYING NO</b>	<b>NUMERICAL IDENTIFICATION</b>

**PARTS LIST**

<b>CONTRACT NO</b>		<b>DATE</b>	
<b>ORDER NO</b>		<b>REVISION</b>	
<b>PROJ NO</b>		<b>APPROVED</b>	
<b>DATE</b>		<b>BY</b>	
<b>MATERIAL</b>		<b>PROJ NO</b>	
<b>FINISH</b>		<b>SCALE</b>	
<b>WARRANTY</b>		<b>SIZE</b>	
<b>USED ON</b>		<b>CODE IDENT NO</b>	
<b>APPLICATION</b>		<b>SCALE</b>	

**WESPERLINE**  
TOP ASSEMBLY  
WP BA-11  
EXP CHASSIS

SIZE CODE IDENT NO: W4-4005346  
SCALE: 1-1  
SHEET 1 OF 5



P/S WIRING LIST (TYP)

NO	TERM	COLOR	VOLTAGE
1	-S	N/A	-
2	-V1	BLK	5V GND
3	-V1	BLK	5V GND
4	+V1	RED	+5V
5	+V1	RED	5V
6	+S	N/A	-
7	-V2	BLU	15V
8	+V2	BLK	GND
9	-V3	GRY	+15V
10	+V3	GRY	+15V
11	-V4	N/A	-
12	-V4	N/A	-

SIZE **D** CODE IDENT NO. DRAWING NO. 44005346  
 SCALE — SHEET 5 OF 5



SEQ	PART NUMBER	DESCRIPTION	CON	QTY	HRS	SUB	REV	L	LOCATION	EFF DATE
000	LSC	NO INVENTORY ITEM		31	.0					05/19/82
001	W44005064-X	CHASSIS EXPANSION WPBA11		1	.0					05/19/82
002	W44005288-01	ASSY P/S MTG PLATE BA11-NO P/S		1	.0	S				05/19/82
003		NO INVENTORY ITEM			.0					05/19/82
004	W29000809	FAN ETRI 760-98-XH-182-115		1	.0					05/19/82
005	W44005262	ASSY CABLE PCB FANS BA11		1	.0	S				05/19/82
006	W44005320	SUB ASSY BA11 FRONT COVER		1	.0	S				06/24/82
007	W26001206	TERM STRIP SPOS KULKA 599-5-UH		1	.0					05/19/82
008	W49000029	PCGD 1650-F/SAE NYLN CRD GUIDE		54	.0					05/19/82
009	W29000060	GRMT CATERPILLER HHS 2692		1	.0					05/19/82
010	W49000334	SLIDE BA11 CHAS TRAK C230D124		1	.0					05/19/82
011	W44005072-01-X	COVER TOP WPBA11 EXP CHASSIS		1	.0					05/19/82
012	W44005072-02-X	COVER BOTTOM WPBA11 EXP CHAS		1	.0					05/19/82
013	W44005080-X	COVER PWR SUP WPBA11 EXP CHAS		1	.0					05/19/82
014	W47002209	SCR 8-32X3/8 SELF TAPPING		12	.0					05/19/82
015	W47000542	SCR 8-32X3/8 PHPH MS51957-43		4	.0					05/19/82
016	W29000858	FAN TORIN TA450 A30109-10 115V		3	.0					05/19/82
017	W48000731	WASHER 8 INT TOOTH MS35333-72		16	.0					05/19/82
018		NO INVENTORY ITEM			.0					05/19/82
019		NO INVENTORY ITEM			.0					05/19/82
020	W47001417	SCR 6-32X1/4 FHPH MS24693-C24		20	.0					05/19/82
021		NO INVENTORY ITEM			.0					05/19/82
022		NO INVENTORY ITEM			.0					05/19/82
023		NO INVENTORY ITEM			.0					05/19/82
024	W47001458	SCR 6-32X1/2 FHPH MS24693-C28		2	.0					05/19/82
025	W46000030	NUT 8-32 HEX MS 35649-284		2	.0					05/19/82
026	W48000723	WASHER 6 INT TH MS35333-71		2	.0					05/19/82
027		NO INVENTORY ITEM			.0					05/19/82
028	W47001623	SCREW SELF TAPFHPH-8-32X.38		4	.0					05/19/82
029	W26001214	JUMPER STRIP KULKA 600J		2	.0					05/19/82
030	W26001222	TABS KLIPTITE KULKA KT547		5	.0					05/19/82
031	W26001230	TAB KLIPTITE KULKA KT546		5	.0					05/19/82

PRELIMINARY RELEASE  
 NOT UNDER MILITARY CONTROL

JUL 09 1982

SEQ	PART NUMBER	DESCRIPTION	CON	QTY	HRS	SUB	REV	L	LOCATION	EFF DATE
000	LSC	NO INVENTORY ITEM		31		.0				05/19/82
001	W440C5064-X	CHASSIS EXPANSION WPBA11		1		.0				05/19/82
002	W440C5288-01	ASSY P/S MTG PLATE BA11-NO P/S		1		.0	S			05/19/82
003	W510C0065	P/S NAT-PWR TECH 25A NT200-133		2		.0				05/19/82
004	W29000209	FAN ETRI 760-98-XH-182-115		1		.0				05/19/82
005	W440C5262	ASSY CABLE PCB FANS BA11		1		.0	S			05/19/82
006	W44005320	SUB ASSY BA11 FRONT COVER		1		.0	S			06/24/82
007	W260G1206	TERM STRIP SPOS KULKA 599-5-UH		1		.0				05/19/82
008	W490C0029	PCGD 1650-F/SAE NYLN CRD GUIDE		54		.0				05/19/82
009	W290C0080	GRMT CATERPILLER HHS 2692		1		.0				05/19/82
010	W490C0334	SLIDE BA11 CHAS TRAK C230D124		1		.0				05/19/82
011	W44005072-01-X	COVER TOP WPBA11 EXP CHASSIS		1		.0				05/19/82
012	W440C5072-02-X	COVER BOTTOM WPBA11 EXP CHAS		1		.0				05/19/82
013	W44005080-X	COVER PWR SUP WPBA11 EXP CHAS		1		.0				05/19/82
014	W470C2209	SCR 8-32X3/8 SELF TAPPING		12		.0				05/19/82
015	W47000542	SCR 8-32X3/8 PHPH MS51957-43		4		.0				05/19/82
016	W29000858	FAN TORIN TA450 A30108-10 115V		3		.0				05/19/82
017	W43000731	WASHER 8 INT TOOTH MS35333-72		16		.0				05/19/82
018		NO INVENTORY ITEM				.0				05/19/82
019	W26001081	TB JUMPER STRAP CINCH 141-J		2		.0				05/19/82
020	W47001417	SCR 6-32X1/4 FHPH MS24693-C24		20		.0				05/19/82
021		NO INVENTORY ITEM				.0				05/19/82
022	W440C5221	ASSY-CABLE WPBA11 PWR SUP		2		.0	S			05/19/82
023	W440C5213-03	ASSY-CABLE DD11-DK/CK PWR BA11		2		.0	S			05/19/82
024	W47001458	SCR 6-32X1/2 FHPH MS24693-C28		2		.0				05/19/82
025	W460C0303	NUT 8-32 HEX MS 35649-284		2		.0				05/19/82
026	W490C0723	WASHER 6 INT TH MS35333-71		2		.0				05/19/82
027	W47001615	SCR 8-32X5/16FHPH MS24693-C47		8		.0				05/19/82
028	W470C1623	SCREW SELF TAPFHPH-8-32X.38		4		.0				05/19/82
029	W26001214	JUMPER STRIP KULKA 600J		2		.0				05/19/82
030	W26001222	TABS KLIPTITE KULKA KT547		5		.0				05/19/82
031	W260G1230	TAB KLIPTITE KULKA KT546		5		.0				05/19/82



SEQ	PART NUMBER	EXCEPT*	DESCRIPTION	CON QTY	HRS	SUB	REV	L	LOCATION	EFF DATE
000	LSC		NO INVENTORY ITEM	31	.0					05/19/82
001	W440C5064-X		CHASSIS EXPANSION WPBA11	1	.0					05/19/82
002	W44005288-01		ASSY P/S MTG PLATE BA11-NO P/S	1	.0	S				05/19/82
003	W51GC0065		P/S NAT-PWR TECH 25A NT200-133	1	.0					05/19/82
004	W29000909		FAN ETRI 760-98-XH-182-115	1	.0					05/19/82
005	W440C5262		ASSY CABLE PCB FANS BA11	1	.0	S				05/19/82
006	W44005320		SUB ASSY BA11 FRONT COVER	1	.0	S				06/24/82
007	W26001206		TERM STRIP 5POS KULKA 599-5-UH	1	.0					05/19/82
008	W490C0029		PCGD 1650-F/SAE NYLN CRD GUIDE	54	.0					05/19/82
009	W29000080		GRMT CATERPILLER HHS 2692	1	.0					05/19/82
010	W490C0334		SLIDE BA11 CHAS TRAK C230D124	1	.0					05/19/82
011	W440C5072-01-X		COVER TOP WPBA11 EXP CHASSIS	1	.0					05/19/82
012	W440C5072-02-X		COVER BOTTOM WPBA11 EXP CHAS	1	.0					05/19/82
013	W440C5080-X		COVER PWR SUP WPBA11 EXP CHAS	1	.0					05/19/82
014	W47002209		SCR 8-32X3/8 SELF TAPPING	12	.0					05/19/82
015	W47000542		SCR 8-32X3/8 PHPH MS51957-43	4	.0					05/19/82
016	W29000858		FAN TORIN TA450 A30108-10 115V	3	.0					05/19/82
017	W48000731		WASHER 8 INT TOOTH MS35333-72	16	.0					05/19/82
018			NO INVENTORY ITEM		.0					05/19/82
019	W26001081		TB JUMPER STRAP CINCH 141-J	1	.0					05/19/82
020	W470C1417		SCR 6-32X1/4 FHPH MS24693-C24	20	.0					05/19/82
021			NO INVENTORY ITEM		.0					05/19/82
022	W440C5221		ASSY-CABLE WPBA11 PWR SUP	1	.0	S				05/19/82
023	W44005213-03		ASSY-CABLE DD11-DK/CK PWR BA11	1	.0	S				05/19/82
024	W470C1458		SCR 6-32X1/2 FHPH MS24693-C28	2	.0					05/19/82
025	W4600003C		NUT 8-32 HEX MS 35649-284	2	.0					05/19/82
026	W480C0723		WASHER 5 INT TH MS35333-71	2	.0					05/19/82
027	W470C1615		SCR 8-32X5/16FHPH MS24693-C47	4	.0					05/19/82
028	W470C1623		SCREW SELF TAPPHPH-8-32X.38	4	.0					05/19/82
029	W26001214		JUMPER STRIP KULKA 600J	2	.0					05/19/82
030	W260C1222		TABS KLIPTITE KULKA KT547	5	.0					05/19/82
031	W260C123C		TAG KLIPTITE KULKA KT546	5	.0					05/19/82

SEQ	PART NUMBER	DESCRIPTION	CCN	QTY	HRS	SUB	REV	L	LOCATION	EFF DATE
000	LSC	NO INVENTORY ITEM		31	.0					05/19/82
001	W44005064-X	CHASSIS EXPANSION WPBA11		1	.0					05/19/82
002	W44005288-01	ASSY P/S MTG PLATE BA11-NO P/S		1	.0	S				05/19/82
003	W51000065	P/S NAT-PWR TECH 25A NT200-133		3	.0					05/19/82
004	W29000809	FAN ETRI 760-98-XH-182-115		1	.0					05/19/82
005	W44005262	ASSY CABLE PCB FANS BA11		1	.0	S				05/19/82
006	W44005320	SUB ASSY BA11 FRONT COVER		1	.0	S				06/24/82
007	W26001206	TERM STRIP SPOS KULKA 599-5-UH		1	.0					05/19/82
008	W49000029	PCGD 1650-F/SAE NYLN CRD GUIDE		54	.0					05/19/82
009	W29000080	GRMT CATERPILLER HHS 2692		1	.0					05/19/82
010	W49000334	SLIDE BA11 CHAS TRAK C230D124		1	.0					05/19/82
011	W44005072-01-X	COVER TOP WPBA11 EXP CHASSIS		1	.0					05/19/82
012	W44005072-02-X	COVER BOTTOM WPBA11 EXP CHAS		1	.0					05/19/82
013	W44005080-X	COVER PWR SUP WPBA11 EXP CHAS		1	.0					05/19/82
014	W47002209	SCR 8-32X3/8 SELF TAPPING		12	.0					05/19/82
015	W47000542	SCR 8-32X3/8 PHPH MS51957-43		8	.0					05/19/82
016	W29000858	FAN TORIN TA450 A30108-10 115V		3	.0					05/19/82
017	W48000731	WASHER 8 INT TOOTH MS35333-72		20	.0					05/19/82
018		NO INVENTORY ITEM			.0					05/19/82
019	W26001081	T8 JUMPER STRAP CINCH 141-J		3	.0					05/19/82
020	W47001417	SCR 6-32X1/4 FHPH MS24693-C24		20	.0					05/19/82
021		NO INVENTORY ITEM			.0					05/19/82
022	W44005221	ASSY-CABLE WPBA11 PWR SUP		3	.0	S				05/19/82
023	W44005213-03	ASSY-CABLE DD11-DK/CK PWR BA11		3	.0	S				05/19/82
024	W47001458	SCR 6-32X1/2 FHPH MS24693-C28		2	.0					05/19/82
025	W46000030	NUT 8-32 HEX MS 35649-284		2	.0					05/19/82
026	W48000723	WASHER 6 INT TH MS35333-71		2	.0					05/19/82
027	W47001615	SCR 8-32X5/16FHPH MS24693-C47		8	.0					05/19/82
028	W47001623	SCREW SELF TAPFHPH-8-32X.38		4	.0					05/19/82
029	W26001214	JUMPER STRIP KULKA 600J		2	.0					05/19/82
030	W26001222	TABS KLIPTITE KULKA KT547		5	.0					05/19/82
031	W26001230	TAB KLIPTITE KULKA KT546		5	.0					05/19/82

SEQ	PART NUMBER	DESCRIPTION	CON QTY	HRS	SUB	REV	L	LOCATION	EFF DATE
000	LSC	NO INVENTCRY ITEM	31	.0					05/19/82
001	W44005064-X	CHASSIS EXPANSION WPBA11	1	.0					05/19/82
002	W44005286-01	ASSY P/S MTG PLATE BA11-NO P/S	1	.0	S				06/09/82
003		NO INVENTORY ITEM		.0					05/19/82
004	W29000783	FAN ETRI 760-98XH-181-11220	1	.0					06/02/82
005	W44005262	ASSY CABLE PCB FANS BA11	1	.0	S				05/19/82
006	W44005320	SUB ASSY BA11 FRCNT COVER	1	.0	S				06/24/82
007	W26001206	TERM STRIP 5POS KULKA 599-5-UH	1	.0					05/19/82
008	W49000029	PCGD 1650-F/SAE NYLN CRD GUIDE	54	.0					05/19/82
009	W29000080	GRMT CATERPILLER HHS 2692	1	.0					05/19/82
010	W49000334	SLIDE BA11 CHAS TRAK C230D124	1	.0					05/19/82
011	W44005072-01-X	COVER TOP WPBA11 EXP CHASSIS	1	.0					05/19/82
012	W44005072-02-X	COVER BOTTOM WPBA11 EXP CHAS	1	.0					05/19/82
013	W44005080-X	COVER PWR SUP WPBA11 EXP CHAS	1	.0					05/19/82
014	W47002209	SCR 8-32X3/8 SELF TAPPING	12	.0					05/19/82
015	W47000542	SCR 8-32X3/8 PHPH MS51957-43	4	.0					05/19/82
016	W29000325	FAN ETRI 760-125XR-2181-11220	3	.0					06/02/82
017	W48000731	WASHER 8 INT TOOTH MS35333-72	16	.0					05/19/82
018		NO INVENTORY ITEM		.0					05/19/82
019		NO INVENTCRY ITEM		.0					05/19/82
020	W47001417	SCR 6-32X1/4 FHPH MS24693-C24	20	.0					05/19/82
021		NO INVENTORY ITEM		.0					05/19/82
022		NO INVENTORY ITEM		.0					05/19/82
023		NO INVENTORY ITEM		.0					05/19/82
024	W47001458	SCR 6-32X1/2 FHPH MS24693-C28	2	.0					05/19/82
025	W46000030	NUT 8-32 HEX MS 35649-284	2	.0					05/19/82
026	W48000723	WASHER 6 INT TH MS35333-71	2	.0					05/19/82
027		NO INVENTORY ITEM		.0					05/19/82
028	W47001623	SCREW SELF TAPFHPH-8-32X.38	4	.0					05/19/82
029	W26001214	JUMPER STRIP KULKA 600J	2	.0					05/19/82
030	W26001222	TABS KLIPTITE KULKA KT547	5	.0					05/19/82
031	W26001230	TAB KLIPTITE KULKA KT546	5	.0					05/19/82

SEQ	PART NUMBER	DESCRIPTION	CCN	QTY	HRS	SUB	REV	L	LOCATION	EFF DATE
000	LSC	NO INVENTORY ITEM		31	.0					05/19/82
001	W440C5064-X	CHASSIS EXPANSION WPBA11		1	.0					05/19/82
002	W440C5288-01	ASSY P/S MTG PLATE BA11-NO P/S		1	.0	S				06/09/82
003	W51000065	P/S NAT-PWR TECH 25A NT200-133		1	.0					05/19/82
004	W29000783	FAN ETRI 760-98XH-181-11220		1	.0					06/02/82
005	W44005262	ASSY CABLE PCB FANS BA11		1	.0	S				05/19/82
006	W440C532C	SUB ASSY BA11 FRONT COVER		1	.0	S				06/24/82
007	W26001206	TERM STRIP SPOS KULKA 599-5-UH		1	.0					05/19/82
008	W49000029	PCGD 1650-F/SAE NYLN CRD GUIDE		54	.0					05/19/82
009	W2900008C	GRMT CATERPILLER HHS 2692		1	.0					05/19/82
010	W49000334	SLIDE BA11 CHAS TRAK C230D124		1	.0					05/19/82
011	W440C5072-01-X	COVER TOP WPBA11 EXP CHASSIS		1	.0					05/19/82
012	W44005072-02-X	COVER BOTTOM WPBA11 EXP CHAS		1	.0					05/19/82
013	W44005060-X	COVER PWR SUP WPBA11 EXP CHAS		1	.0					05/19/82
014	W470C2209	SCR 5-32X3/8 SELF TAPPING		12	.0					05/19/82
015	W47000542	SCR 8-32X3/8 PHPH MS51957-43		4	.0					05/19/82
016	W29000825	FAN ETRI 760-125XR-2181-11220		3	.0					06/02/82
017	W49000731	WASHER 6 INT TOOTH MS35333-72		16	.0					05/19/82
018		NO INVENTORY ITEM			.0					05/19/82
019	W26001081	T3 JUMPER STRAP CINCH 141-J		1	.0					05/19/82
020	W47001417	SCR 6-32X1/4 FHPH MS24693-C24		20	.0					05/19/82
021		NO INVENTORY ITEM			.0					05/19/82
022	W44005221	ASSY-CABLE WPBA11 PWR SUP		1	.0	S				05/19/82
023	W44005213-03	ASSY-CABLE DD11-DK/CK PWR BA11		1	.0	S				05/19/82
024	W47001458	SCR 6-32X1/2 FHPH MS24693-C28		2	.0					05/19/82
025	W46000030	NUT 8-32 HEX MS 35649-284		2	.0					05/19/82
026	W480000723	WASHER 6 INT TH MS35333-71		2	.0					05/19/82
027	W47001615	SCR 5-32X5/16FHPH MS24693-C47		4	.0					05/19/82
028	W47001623	SCREW SELF TAPFHPH-8-32X.38		4	.0					05/19/82
029	W26001214	JUMPER STRIP KULKA 600J		2	.0					05/19/82
030	W26001222	TABS KLIPTITE KULKA KT547		5	.0					05/19/82
031	W26001230	TAB KLIPTITE KULKA KT546		5	.0					05/19/82

SEQ	PART NUMBER	DESCRIPTION	CON QTY	HRS	SUB	REV	L	LOCATION	EFF DATE
000	LSC	NO INVENTORY ITEM	31	.0					05/19/82
001	W44005064-X	CHASSIS EXPANSION WPBA11	1	.0					05/19/82
002	W4400528E-01	ASSY P/S MTG PLATE BA11-NO P/S	1	.0	S				06/09/82
003	W51000065	P/S NAT-PWR TECH 25A NT200-133	2	.0					05/19/82
004	W29000783	FAN ETRI 76C-98XH-181-11220	1	.0					06/02/82
005	W44005262	ASSY CABLE PCB FANS BA11	1	.0	S				05/19/82
006	W44005320	SUB ASSY BA11 FRONT COVER	1	.0	S				06/24/82
007	W26001206	TERM STRIP 5POS KULKA 599-5-UH	1	.0					05/19/82
008	W49000029	PCGD 1650-F/SAE NYLN CRD GUIDE	54	.0					05/19/82
009	W29000080	GRMT CATERPILLER HMS 2692	1	.0					05/19/82
010	W49000334	SLIDE BA11 CHAS TRAK C230D124	1	.0					05/19/82
011	W44005072-01-X	COVER TOP WPBA11 EXP CHASSIS	1	.0					05/19/82
012	W44005072-02-X	COVER BOTTOM WPBA11 EXP CHAS	1	.0					05/19/82
013	W44005080-X	COVER PWR SUP WPBA11 EXP CHAS	1	.0					05/19/82
014	W47002209	SCR 8-32X3/8 SELF TAPPING	12	.0					05/19/82
015	W47000542	SCR 8-32X3/8 PHPH MS51957-43	4	.0					05/19/82
016	W29000825	FAN ETRI 760-125XR-2181-11220	3	.0					06/02/82
017	W48000731	WASHER 8 INT TOOTH MS35333-72	16	.0					05/19/82
018		NO INVENTORY ITEM		.0					05/19/82
019	W26001081	TS JUMPER STRAP CINCH 141-J	2	.0					05/19/82
020	W47001417	SCR 6-32X1/4 FHPH MS24693-C24	20	.0					05/19/82
021		NO INVENTORY ITEM		.0					05/19/82
022	W44005221	ASSY-CABLE WPBA11 PWR SUP	2	.0	S				05/19/82
023	W44005213-03	ASSY-CABLE DD11-DK/CK PWR BA11	2	.0	S				05/19/82
024	W47001458	SCR 6-32X1/2 FHPH MS24693-C28	2	.0					05/19/82
025	W46000030	NUT 8-32 HEX MS 35649-284	2	.0					05/19/82
026	W48000723	WASHER 6 INT TH MS35333-71	2	.0					05/19/82
027	W47001615	SCR 8-32X5/16FHPH MS24693-C47	8	.0					05/19/82
028	W47001623	SCREW SELF TAPFHPH-8-32X.38	4	.0					05/19/82
029	W26001214	JUMPER STRIP KULKA 600J	2	.0					05/19/82
030	W26001222	TABS KLIPTITE KULKA KT547	5	.0					05/19/82
031	W26001230	TAB KLIPTITE KULKA KT546	5	.0					05/19/82


SEQ	PART NUMBER	DESCRIPTION	CON QTY	HRS	SUB REV	L LOCATION	EFF DATE
000	LSC	NO INVENTORY ITEM	31	.0			05/19/82
001	W440C5064-X	CHASSIS EXPANSION WPBA11	1	.0			05/19/82
002	W440C5286-01	ASSY P/S MTG PLATE BA11-NO P/S	1	.0	S		06/09/82
003	W510CC065	P/S NAT-PWR TECH 25A NT200-133	3	.0			05/19/82
004	W290CC783	FAN ETRI 760-98XH-181-11220	1	.0			06/02/82
005	W44005262	ASSY CABLE PCE FANS BA11	1	.0	S		05/19/82
006	W440C532C	SUB ASSY BA11 FRONT COVER	1	.0	S		06/24/82
007	W260C1206	TERM STRIP 5POS KULKA 599-5-UH	1	.0			05/19/82
008	W49000029	PCGD 1650-F/SAE NYLN CRD GUIDE	54	.0			05/19/82
009	W290CC080	GRMT CATERPILLER HHS 2692	1	.0			05/19/82
010	W4900C334	SLIDE BA11 CHAS TRAK C230D124	1	.0			05/19/82
011	W440C5072-01-X	COVER TOP WPBA11 EXP CHASSIS	1	.0			05/19/82
012	W440C5072-02-X	COVER BOTTOM WPBA11 EXP CHAS	1	.0			05/19/82
013	W44005080-X	COVER PWR SUP WPBA11 EXP CHAS	1	.0			05/19/82
014	W47002209	SCR 8-32X3/8 SELF TAPPING	12	.0			05/19/82
015	W470C0542	SCR 8-32X3/8 PHPH MS51957-43	8	.0			05/19/82
016	W29000825	FAN ETRI 760-125XR-2181-11220	3	.0			06/02/82
017	W480C0731	WASHER 8 INT TOOTH MS35333-72	20	.0			05/19/82
018		NO INVENTORY ITEM		.0			05/19/82
019	W260G1081	TB JUMPER STRAP CINCH 141-J	3	.0			05/19/82
020	W47001417	SCR 6-32X1/4 FHPH MS24693-C24	20	.0			05/19/82
021		NO INVENTORY ITEM		.0			05/19/82
022	W440C5221	ASSY-CABLE WPBA11 PWR SUP	3	.0	S		05/19/82
023	W44005213-03	ASSY-CABLE DD11-DK/CK PWR BA11	3	.0	S		05/19/82
024	W470C1458	SCR 6-32X1/2 FHPH MS24693-C28	2	.0			05/19/82
025	W46000030	NUT 8-32 HEX MS 35649-284	2	.0			05/19/82
026	W48000723	WASHER 6 INT TH MS35333-71	2	.0			05/19/82
027	W47001615	SCR 8-32X5/16FHPH MS24693-C47	8	.0			05/19/82
028	W47001623	SCREW SELF TAPFHPH-8-32X.38	4	.0			05/19/82
029	W26001214	JUMPER STRIP KULKA 600J	2	.0			05/19/82
030	W26001222	TABS KLIPTITE KULKA KT547	5	.0			05/19/82
031	W260G123C	TAB KLIPTITE KULKA KT546	5	.0			05/19/82

REVISIONS			
LTR	DESCRIPTION	DATE	APPROVED
A	PROD. REL	4-19-82	<i>[Signature]</i>

DD11-CK BACKPLANE  
W44004612

SIGNAL NAME	PIN NAME
+15/+8V	C01U1
	C02U1
	C03U1
	C04U1
+20V	A02U1
	A02V1
	A02V2
	A03U1
	A03V1
	A03V2
+5V (1)	A01A2
	A02A2
	A03A2
	A04A2
+5V (2)	B01A2
	B02A2
	B03A2
	B04A2
	B02D1
+5V (3)	C01A2
	C02A2
	C03A2
	C04A2
+5V (4)	D01A2
	D02A2
	D03A2
	D04A2
+5V (5)	E01A2
	E02A2
	E03A2
	E04A2
+5V (6)	F01A2
	F02A2
	F03A2
	F04A2
+5V (A)	A01A2
	B01A2
	C01A2
	D01A2
	E01A2
	F01A2

APR 19 1982

TOLERANCES UNLESS OTHERWISE SPECIFIED		 <b>WESPERLINE</b> <small>Division of WESPERCORP ANAHEIM, CALIFORNIA</small>	
FRACTIONS	DEC.		
±	±	±	<b>WIRE LIST - BACKPLANE</b> <b>DD11-CK EQUIV.</b>
APPROVALS	DATE	SCALE	
DESIGNER LSC	4-15-82	SIZE A	
CHECKER RM	4-19-82	DRAWING NO. W44004612	
DO NOT SCALE DRAWING		SHEET 0 OF 21	

<u>SIGNAL NAME</u>	<u>PIN NAME</u>
+5V (B)	A02A2
	B02A2
	C02A2
	D02A2
	E02A2
	F02A2
+5V (C)	A03A2
	B03A2
	C03A2
	D03A2
	E03A2
	F03A2
+5V (D)	A04A2
	B04A2
	C04A2
	D04A2
	E04A2
	F04A2
-15V	C01B2
	C02B2
	C03B2
	C04B2
	D04B2
	D03B2
	D02B2
	D01B2
	E01B2
	E02B2
	E03B2
	E04B2
	F04B2
	F03B2
F02B2	
F01B2	
-5V	B02V2
	B03V2
A BG IN	D01U2 F01B1
A BG OUT	D01V2 F01A1
A BR OUT	D01J2 F01P1 F01U2

<u>SIGNAL NAME</u>	<u>PIN NAME</u>
A IN	D01H1
	E01M1
A INT A	D01N1
	F01U1
A INT B	C01J1
	F01K2
A INT ENB A	D01M1
	F01V1
A INT ENB B	C01L1
	F01H2
A OUT HIGH	D01K1
	E01M2
A OUT LOW	D01D1
	E01N1
A SEL 0	D01F1
	E01S2
A SEL 4	D01E1
	E01R2
A SEL 6	D01C1
	E01S1
A SER 2	D01J1
	E01T2
A SSYN IN H	D01V1
	E01B1
AC LO L	B01F1
	B02F1
	C01V1
	C02V1
	C03V1
	C04V1
	B03F1
B04F1	
B BG IN	D02U2
	F02B1
B BG OUT	D02V2
	F02A1



<u>SIGNAL NAME</u>	<u>PIN NAME</u>
B BR OUT	D02J2 F02P1 F02U2
B IN	D02H1 E02M1
B INT A	D02N1 F02U1
B INT B	C02J1 F02K2
B INT ENB A	D02M1 F02V1
B INT ENB B	C02L1 F02H2
B OUT HIGH	D02K1 E02M2
B OUT LOW	D02D1 E02N1
B SEL 0	D02F1 E02S2
B SEL 4	D02E1 E02R2
B SEL 6	D02C1 E02S1
B SER 2	D02U1 E02T2
B SSYN IN H	D02V1 E02B1
BB+15	A02R1 A03R1 C03U1
BB+5	B02D1 B03D1
BB-15	A02S1 A03S1 C03B2

<u>SIGNAL NAME</u>	<u>PIN NAME</u>
BBSY L	A01P2 A02P2 F01D1 F02D1 F03D1 F04D1 A03P2 A04P2
BG4 A	B01E2 D01S2
BG4 B	D01T2 D02S2
BG4 C	D02T2 D03S2
BG4 D	D03T2 D04S2
BG4 E	B04E2 D04T2
BG5 A	B01B1 D01P2
BG5 B	D01R2 D02P2
BG5 C	D03R2 D03P2
BG5 D	D03R2 D04P2
BG5 E	B04B1 D04R2
BG6 A	B01A1 D01M2
BG6 B	D01N2 D02M2
BG6 C	D02N2 D03M2
BG6 D	D03N2 D04M2

<u>SIGNAL NAME</u>	<u>PIN NAME</u>
BG6 E	B04A1 D04N2
BG7 A	A01V1 D01K2
BG7 B	D01L2 D02K2
BG7 C	D02L2 D03K2
BG7 D	D03L2 D04K2
BG7 E	A04V1 D04L2
BR4 L	B01D2 B02D2 D01H2 D02H2 D03H2 D04H2 B03D2 B04D2
BR5 L	B01C1 B02C1 D01F2 D02F2 D03F2 D04F2 B03C1 B04C1
BR6 L	A01U2 A02U2 D01E2 D02E2 D03E2 D04E2 A03U2 A04U2
BR7 L	A01T2 A02T2 D01D2 D02D2 D03D2 D04D2 A03T2 A04T2

<u>SIGNAL NAME</u>	<u>PIN NAME</u>
BUS A00 L	B01H2 B02H2 E01H2 E02H2 E03H2 E04H2 B03H2 B04H2
BUS A01 L	B01H1 B02H1 E01H1 E02H1 E03H1 E04H1 B03H1 B04H1
BUS A02 L	B01J2 B02J2 E01F1 E02F1 E03F1 E04F1 B03J2 B04J2
BUS A03 L	B01J1 B02J1 E01V2 E02V2 E03V2 E04V2 B03J1 B04J1
BUS A04 L	B01K2 B02K2 E01U2 E02U2 E03U2 E04U2 B03K2 B04K2
BUS A05 L	B01K1 B02K1 E01V1 E02V1 E03V1 E04V1 B03K1 B04K1

SIGNAL NAMEPIN NAME

BUS A06 L

B01L2  
B02L2  
E01U1  
E02U1  
E03U1  
E04U1  
B03L2  
B04L2

BUS A07 L

B01L1  
B02L1  
E01P2  
E02P2  
E03P2  
E04P2  
B03L1  
B04L1

BUS A08 L

B01M2  
B02M2  
E01N2  
E02N2  
E03N2  
E04N2  
B03M2  
B04M2

BUS A09 L

B01M1  
B02M1  
E01R1  
E02R1  
E03R1  
E04R1  
B03M1  
B04M1

BUS A10 L

B01N2  
B02N2  
E01P1  
E02P1  
E03P1  
E04P1  
B03N2  
B04N2

BUS A11 L

B01N1  
B02N1  
E01L1  
E02L1  
E03L1  
E04L1  
B03N1  
B04N1SIGNAL NAMEPIN NAME

BUS A12 L

B01P2  
B02P2  
E01C1  
E02C1  
E03C1  
E04C1  
B03P2  
B04P2

BUS A13 L

B01P1  
B02P1  
E01K2  
E02K2  
E03K2  
E04K2  
B03P1  
B04P1

BUS A14 L

B01R2  
B02R2  
E01K1  
E02K1  
E03K1  
E04K1  
B03R2  
B04R2

BUS A15 L

B01R1  
B02R1  
E01D2  
E02D2  
E03D2  
E04D2  
B03R1  
B04R1

BUS A16 L

B01S2  
B02S2  
E01E2  
E02E2  
E03E2  
E04E2  
B03S2  
B04S2

BUS A17 L

B01S1  
B02S1  
E01D1  
E02D1  
E03D1  
E04D1  
B03S1  
B04S1

<u>SIGNAL NAME</u>	<u>PIN NAME</u>
BUS D00 L	A01C1 A03C1 C01S2 C02S2 C03S2 C04S2 A03C1 A04C1
BUS D01 L	A01D2 A02D2 C01R2 C02R2 C03R2 C04R2 A03D2 A04D2
BUS D02 L	F01E2 F02E2 F03E2 F04E2 A01D1 A02D1 C01U2 C02U2 C03U2 C04U2 A03D1 A04D1
BUS D02 L JMP	C02U2 F02E2
BUS D03 L	F01L1 F02L1 F03L1 F04L1 A01E2 A02E2 C01T2 C02T2 C03T2 C04T2 A03E2 A04E2
BUS D03 L JMP	C02T2 F02L1

<u>SIGNAL NAME</u>	<u>PIN NAME</u>
BUS D04 L	F01N2 F02N2 F03N2 F04N2 A01E1 A02E1 C01N2 C02N2 C03N2 C04N2 A03E1 A04E1
BUS D04 L JMP	C02N2 F02N2
BUS D05 L	F01F1 F02F1 F03F1 F04F1 A01F2 A02F2 C01P2 C02P2 C03P2 C04P2 A03F2 A04F2
BUS D05 L JMP	C02P2 F02F1
BUS D06 L	F01F2 F02F2 F03F2 F04F2 A01F1 A02F1 C01V2 C02V2 C03V2 C04V2 A03F1 A04F1
BUS D06 L JMP	C02V2 F02F2

<u>SIGNAL NAME</u>	<u>PIN NAME</u>
BUS D07 L	F01H1 F02H1 F03H1 F04H1 A01H2 A02H2 C01M2 C02M2 C03M2 C04M2 A03H2 A04H2
BUS D07 L JMP	C02M2 F02H1
BUS D08 L	F01K1 F02K1 F03K1 F04K1 A01H1 A02H1 C01L2 C02L2 C03L2 C04L2 A03H1 A04H1
BUS D08 L JMP	C02L2 F02K1
BUS D09 L	A01J2 A02J2 C01K2 C02K2 C03K2 C04K2 A03J2 A04J2
BUS D10 L	A01J1 A02J1 C01J2 C02J2 C03J2 C04J2 A03J1 A04J1

<u>SIGNAL NAME</u>	<u>PIN NAME</u>
BUS D11 L	A01K2 A02K2 C01H1 C02H1 C03H1 C04H1 A03K2 A04K2
BUS D12 L	A01K1 A02K1 C01H2 C02H2 C03H2 C04H2 A03K1 A04K1
BUS D13 L	A01L2 A02L2 C01F2 C02F2 C03F2 C04F2 A03L2 A04L2
BUS D14 L	A01L1 A02L1 C01E2 C02E2 C03E2 C04E2 A03L1 A04L1
BUS D15 L	A01M2 A02M2 C01D2 C02D2 C03D2 C04D2 A03M2 A04M2
C BG IN	D03U2 F03B1
C BG OUT	D03V2 F03A1

<u>SIGNAL NAME</u>	<u>PIN NAME</u>
C BR OUT	D03J2 F03P1 F03U2
C IN	D03H1 E03M1
C INT A	D03N1 F03U1
C INT B	C03J1 F03K2
C INT ENB A	D03M1 F03V1
C INT ENB B	C03L1 F03H2
C OUT HIGH	D03K1 E03M2
C OUT LOW	D03D1 E03N1
C SEL 0	D03F1 E03S2
C SEL 4	D03E1 E03R2
C SEL 6	D03C1 E03S1
C SER 2	D03J1 E03T2
C SSYN IN H	D03V1 E03B1
C0 L	B01U2 B02U2 E01J2 E02J2 E03J2 E04J2 B03U2 B04U2

<u>SIGNAL NAME</u>	<u>PIN NAME</u>
C1 L	B01T2 B02T2 E01F2 E02F2 E03F2 E04F2 B03T2 B04T2
D BG IN	D04U2 F04B1
D BG OUT	D04V2 F04A1
D BR OUT	D04J2 F04P1 F04U2
D IN	D04H1 E04M1
D INT A	D04N1 F04U1
D INT B	C04J1 F04K2
D INT ENB A	D04M1 F04V1
D INT ENB B	C04L1 F04H2
D OUT HIGH	D04K1 E04M2
D OUT LOW	D04D1 E04N1
D SEL 0	D04F1 E04S2
D SEL 4	D04E1 E04H2
D SEL 6	D04C1 E04B1
D SER 2	D04J1 E04T2

<u>SIGNAL NAME</u>	<u>PIN NAME</u>
D SSYN IN H	D04V1 E04B1
DC L	B01F2 B02F2 C01N1 C02N1 C03N1 C04N1 B03F2 B04F2
F01D2	F01D2 F01N1 F01R2
F01E1	F01E1 F01V2
F01L2	F01L2 F01R1
F01M2	F01M2 F01S1
F01P2	F01P2 F01S2
F02D2	F02D2 F02N1 F02R2
F02E1	F02E1 F02V2
F02L2	F02L2 F02R1
F02M2	F02M2 F02S1
F02P2	F02P2 F02S2
F03D2	F03D2 F03N1 F03R2
F03E1	F03E1 F03V2

<u>SIGNAL NAME</u>	<u>PIN NAME</u>
F03L2	F03L2 F03R1
F03M2	F03M2 F03S1
F03P2	F03P2 F03S2
F04D2	F04D2 F04N1 F04R2
F04E1	F04E1 F04V2
F04D2	F04R2 F04N1
F04L2	F04L2 F04R1
F04M2	F04M2 F04S1
F04P2	F04P2 F04S2
GND (01)	A01C2 A02C2 A03C2 A04C2 A04T1 A03T1 A02T1 A01T1
GND (02)	B01C2 B02C2 B03C2 B04C2 B04T1 B03T1 B02T1 B01T1
GND (03)	C01C2 C02C2 C03C2 C04C2 C04T1 C03T1 C02T1 C01T1

<u>SIGNAL NAME</u>	<u>PIN NAME</u>
GND (04)	D01C2
	D02C2
	D03C2
	D04C2
	D04T1
	D03T1
	D02T1
	D01T1
GND (05)	E01C2
	E02C2
	E03C2
	E04C2
	E04T1
	E03T1
	E02T1
	E01T1
GND (06)	F01C2
	F02C2
	F03C2
	F04C2
	F04T1
	F03T1
	F02T1
	F01T1
GND (07)	E01A1
	E02A1
	E03A1
	E04A1
GND (08)	A01B2
	A01V2
	B01B2
	B01V2
GND (09)	A04B2
	A04V2
	B04B2
	B04V2
GND (10)	A01S1
	A01R1
	A01P1
	A01N1
	A04N1
	A04P1
	A04R1
	A04S1

<u>SIGNAL NAME</u>	<u>PIN NAME</u>
GND (11)	B01E1
	B01D1
	B04E1
	B04D1
GND (12)	F01J2
	F02J2
	F03J2
	F04J2
HALT GRANT	C01R1
	C02R1
	C03R1
	C04R1
HALT REQ	C01P1
	C02P1
	C03P1
	C04P1
INIT L	A01A1
	A02A1
	D01L1
	D02L1
	D03L1
	D04L1
	A03A1
	A04A1
INT SSYN	B02E1
	B03E1
INTR L	A01B1
	A02B1
	F01M1
	F02M1
	F03M1
	F04M1
	A03B1
	A04B1
LTC	C01D1
	C02D1
	C03D1
	C04D1



SIGNAL NAMEPIN NAME

MSYN L

B01V1  
B02V1  
E01E1  
E02E1  
E03E1  
E04E1  
B03V1  
B04V1

NPG L

A01U1  
C01A1  
C01B1  
C02A1  
C02B1  
C03A1  
C03B1  
C04A1  
C04B1  
A04U1

NPR L

A01S2  
A02S2  
F01J1  
F02J1  
F03J1  
F04J1  
A03S2  
A04S2

PA L

A01M1  
A02M1  
C01C1  
C02C1  
C03C1  
C04C1  
A03M1  
A04M1

PAR DET

B02E2  
B03E2

PAR P0

A02P1  
A03P1

PAR P1

A02N1  
A03N1SIGNAL NAMEPIN NAME

PB L

A01N2  
A02N2  
C01S1  
C02S1  
C03S1  
C04S1  
A03N2  
A04N2

RESERVE BUS

B02A1  
B03A1

SACK L

A01R2  
A02R2  
F01T2  
F02T2  
F03T2  
F04T2  
A03R2  
A04R2

SSYN L

F01C1  
F02C1  
F03C1  
F04C1

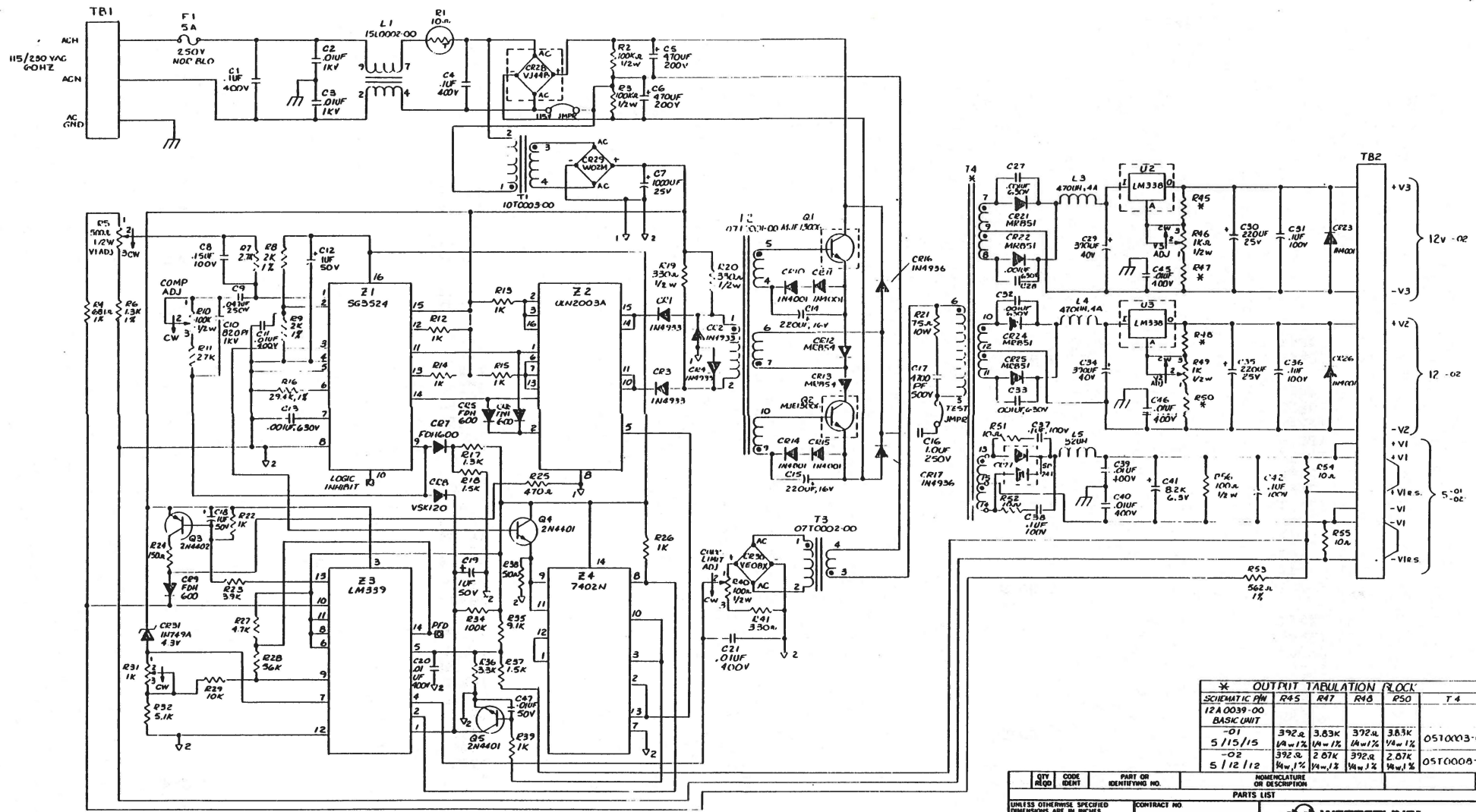
SSYN L

B01U1  
B02U1  
E01J1  
E02J1  
E03J1  
E04J1  
B03U1  
B04U1

SSYN L JMP

E02J1  
F02C1

REVISIONS			DATE	APPROVED
X	ENG.	ZBL	5-27-82	[Signature]



* OUTPUT TABULATION BLOCK					
SCHMATIC P/N	R45	R47	R48	R50	T4
12A0039-00					
BASIC UNIT					
-01	392.0	3.83K	392.0	3.83K	0510003-00
5/115/15	14w/1%	14w/1%	14w/1%	14w/1%	
-02	392.0	2.67K	392.0	2.67K	0510006-00
5/112/112	14w/1%	14w/1%	14w/1%	14w/1%	

QTY	CODE IDENT	PART OR IDENTIFYING NO.	PARTS LIST	
			NOMENCLATURE OR DESCRIPTION	
UNLESS OTHERWISE SPECIFIED DIMENSIONS ARE IN INCHES TOLERANCES ARE FRACTIONS DECIMALS ANGLES ± ± ± ±			CONTRACT NO.	
MATERIAL			APPROVALS	
FINISH			DATE	
NEXT ASSY USED ON			DRAWN <i>[Signature]</i> 11/71	
APPLICATION			CHECKED <i>[Signature]</i> 5-27-82	
DO NOT SCALE DRAWING			DATE <i>[Signature]</i> 11-21-82	
SCALE			SIZE CODE IDENT NO. DRAWING NO.	
			D W5100065	
			SCHEMATIC. PWR SUPPLY 115/230VAC	
			SHEET / OF /	

3. \* REFER TO TABBLOCK FOR COMP VALUES.  
 2. ALL CAPACITORS ARE IN FARADS.  
 1. ALL RESISTORS ARE IN OHMS, INW, 5%.  
 NOTE 5: UNLESS OTHERWISE SPECIFIED

*W5100065*

*25 App 5+*  
*4 App 15+*



