

MODEL 7530A SCHEMATICS

ROCKLAND

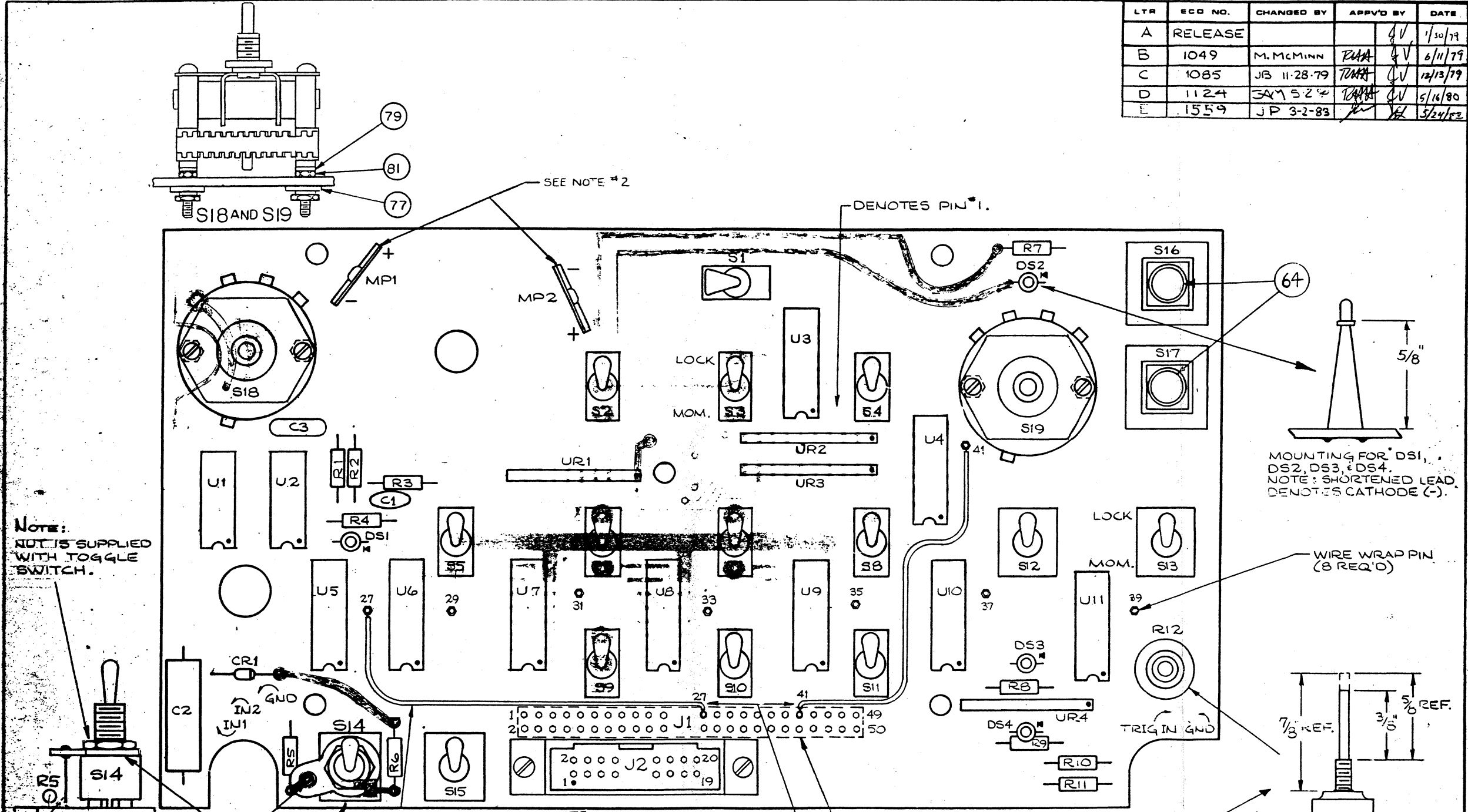
Rockland Scientific Corporation

10 Volvo Drive, Rockleigh, NJ 07647

TEL: (201) 767-7900

(201) 767-7900

LTR	ECO NO.	CHANGED BY	APPVD BY	DATE
A	RELEASE			1/30/79
B	1049	M. McMINN	RAA	6/11/79
C	1085	JB 11-28-79	RAA	12/13/79
D	1124	JAM 5-2-80	RAA	5/16/80
E	1559	JP 3-2-83	RAA	5/24/83

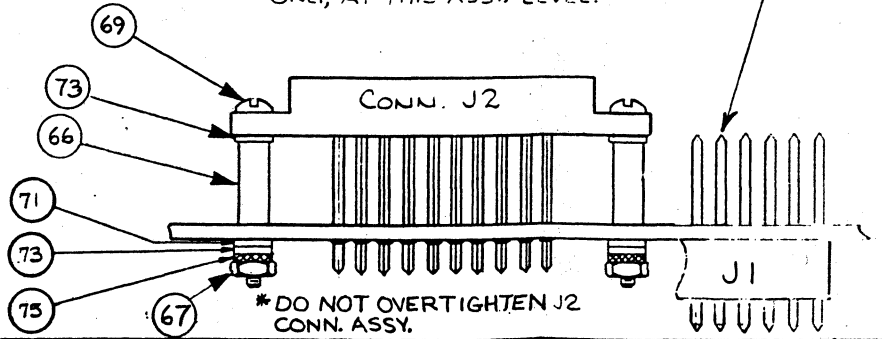


CONNECT SOLDER LUG TO GND PAD BETWEEN R4 & R5.

NOTES:
 1) WIRE WRAP LEADS FROM CONNECTOR J1-PINS 27 THRU 41, ODD, TO THEIR RESPECTIVE WIRE WRAP PINS ON P.C. BOARD.
 2) SOLDER CENTER TWO PINS ON MPI & MP2 ONLY, AT THIS ASSY. LEVEL.

MOUNT ON REVERSE SIDE WITH LONG PINS GOING THRU THE P.C. TO COMP. SIDE

FROM	TO	LENGTH
J1 PIN-27	W/W PIN-27	4 3/4
-29	-29	4 1/4
-31	-31	3 1/2
-33	-33	2 3/4
-35	-35	3"
-37	-37	4"
-39	-39	4 3/4
J1 PIN-41	W/W PIN-41	4 1/2



COMPONENT SIDE	
DRAWN BY	DATE
CHECKED BY:	
ENG APPVL	
MFG APPVL	
UNLESS OTHERWISE SPECIFIED ALL DIMENSIONS ARE IN INCHES AFTER FINISHING AND TOLERANCES ARE:	
.xxx ± .005	
.xx ± .01	
x/x ± 1/64	
∠ ± 1°	

SHEETS 2, 3, 4 ALL A SIZE L/M.

WAVETEK
 Wavetek Scientific, Inc.
 10 Volvo Drive
 Rockleigh, NJ 07647

TITLE: ASSEMBLY FRONT PANEL P.C.B.D. (7530A)

SIZE: C DRAWING NO: 02-004-6300 REV: E

SCALE: 2:1 SHEET: 1 OF 4

WAVETEK

Wavetek Scientific, Inc.
10 Volvo Drive
Rockleigh, NJ 07647

TITLE			ASSEMBLY 7530A		LIST OF MATERIAL		REV
			FRONT PANEL P.C.BD.		02-004-6300		E
RELEASE AUTHORITY	CHK BY	ENG	MFG	ASSY SIZE	DATE	SHEET 2 OF 4	
		PAH	GV	C	01.30.79		

ITEM	PART NO	QTY	DESCRIPTION	REMARKS
1	01 320-6300	1	P.C. BOARD: FRONT PANEL, 530	
2				
3	125-7474	2	U: DUAL TYPE D FLIP FLOP	U1 & U2
4				
5	124-0114	1	U: 12 IN NAND GATE (74S134)	U3
6				
7	125-0117	8	U: 8 TO 1 MPLXR (74LS151)	U4, U5, U6, U7, U8, U9, U10, & U11
8				
9	116-3101	2	R: FX COMP. 10K OHM 5% 1/4 W	R1, R2
10	116-2181	1	R: FX COMP 1.8K OHM 5% 1/4 W	R3
11	116-3151	1	R: FX COMP. 15K OHM 5% 1/4 W	R6
12	116-2151	1	R: FX COMP 1.5K OHM 5% 1/4 W	R4
13	110-6041	1	R: FX MFLM 604 OHM 1% 1/10 W	R5
14				
15	116-1361	3	R: FX COMP 360 OHM 5% 1/4 W	R7, R8, & R9
16				
17	111-2001	2	R: FX MFLM 2.00 OHM 1% 1/10 W	R10 & R11
18				
19	118-3106	1	R: VAR COMP 10K 1/2 RND	R12
20				
21	128-3104	4	U: PULL UP NET 10K 2% x9 SIP	UR1, UR2, UR3, & UR4
22				
23	132-0457	1	CR: SL LW LK 70PIV 200MW IN457	CR1
24				
25	120-9001	2	U: HALL EFFECT PICK-UP	MP1 & MP2
26				
27	340-1210	1	S: TOG SPDT MOM-OFF-MOM P.C. FB	S1 C&K 7105 P3YCB
28				
29	340-1206	3	S: TOG SPDT ON-OFF-ON P.C. RB	S2, S7, & S11 C&K 7103 SYCB
30				
31	340-1209	1	S: TOG SPDT ON-OFF-MOM P.C. RB	S3 C&K 7107 SYCB
32				
33	340-1207	4	S: TOG SPDT ON-ON P.C. RB	S4, S5, S6, & S9 C&K 7101 SYCB

WAVETEK

Wavetek Scientific, Inc.
10 Volvo Drive
Rockleigh, NJ 07647

TITLE				LIST OF MATERIAL		REV
ASSEMBLY (7530A) FRONT PANEL P.C.BD.				02-004-6300		E
RELEASE AUTHORITY	CHK BY	MFG	ABBY SIZE	DATE	SHEET 3 OF 4	
			C	01-30-79		

ITEM	PART NO	QTY	DESCRIPTION	REMARKS
34	340-1208	2	S: TOG SPDT MOM-OFF-MOM P.C. RB	S8 & S10 C&K 7105 SYCB
35				
36	340-2205	1	S: TOG DPDT ON-ON-ON P.C. RB	S12 C&K 7211 SYCB
37				
38	340-2206	1	S: TOG DPDT ON-ON-MOM P.C. RB	S13 C&K 7213 SYCB
39				
40	340-2201	2	S: TOG DPDT ON-NONE-ON P.C. SFB	S14 & S15 C&K 7201 SYCB
41				
42	341-1102	2	S: PB SPST N.O.	S16 & S17
43				
44	345-1091	1	S: ROT IP 9 POS BCD	S18
45				
46	345-1081	1	S: ROT IP 8 POS BCD	S19
47				
48	100-2105	1	C: FX CER .001uf 10% 500V X5F	C1
49				
50	105-4470	1	C: FX PLSTR .47uf 5% 100V	C2
51				
52	101-0470	1	C: FX MICA DP 47pf 10% 500V	C3
53				
54	171-1605	4	LED: RED MIN.(RL 209)	DS1, DS2, DS3, & DS4
55				
56	354-0023	1	CONN: TERM 50 PIN DIL W/W	J1
57				
58	351-2000	1	CONN: 20 POS. RECP. RECESSED	J2
59				
60	354-0007	8	CONN: TERM PIN W/W .025(2 END)	*27, 29, 31, 33, 35, 37, 39, & 41.
61				
62	378-1961	A/R	WIRE: #30 AWG. SLD KYN. BLUE	
63				
64	370-0719	2	KNOB: PB RND BLK (S12)-530	(ON S16 & S17)
65				
66	389-2011	2	SPACER: AL 193 OD #6 3/8L	CONN J2 MOUNTING

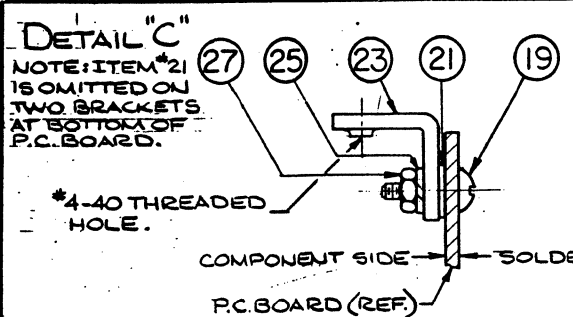
WAVETEK

Wavetek Scientific, Inc.
10 Volvo Drive
Rockleigh, NJ 07647

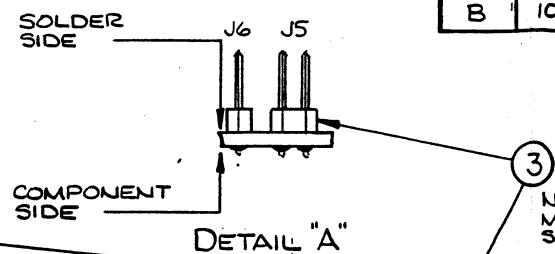
TITLE		ASSEMBLY (7530A)		LIST OF MATERIAL		REV
		FRONT PANEL P.C. BD.		02-004-6300		E
RELEASE AUTHORITY	CHK BY	DATE	ASSY SIZE	DATE	SHEET 4 OF 4	
		01-30-79	C			

ITEM	PART NO	QTY	DESCRIPTION	REMARKS
67	387-4080	2	NUT: HEX ST. CD. #4-40 x 1/4" AF.	} FOR MOUNTING CONN. J2
68				
69	381-4122	2	M. SCR: ST CD. PH. #4-40 x 3/4" PH.	
70				
71	388-3062	2	WASHER: FLAT NYL. #6 x 1/32" THK.	
72				
73	388-0040	4	WASHER: FLAT STL. CAD. #4	
74				
75	388-1041	2	WASHER: EXT. LK. STL. CAD. #4	
76				
77	388-3020	4	WASHER: FLT. NYL. #2 X. 250 X. 032	
78				
79	388-1022	4	WASHER: SPLT LK STL CAD #2	
80				
81	387-2051	4	NUT: HEX SS 2-56 x 5/32 AF	
82				
83	359-0015	1	LUG: SOLDER FLAT 1/4"	(S14)
84				
85	378-0701	3/4"	WIRE: BUSS TINNED #24 AWG	
86				
87				
88				
89				
90				
91				
92				
93				
94				
95				
96				
97				
98				

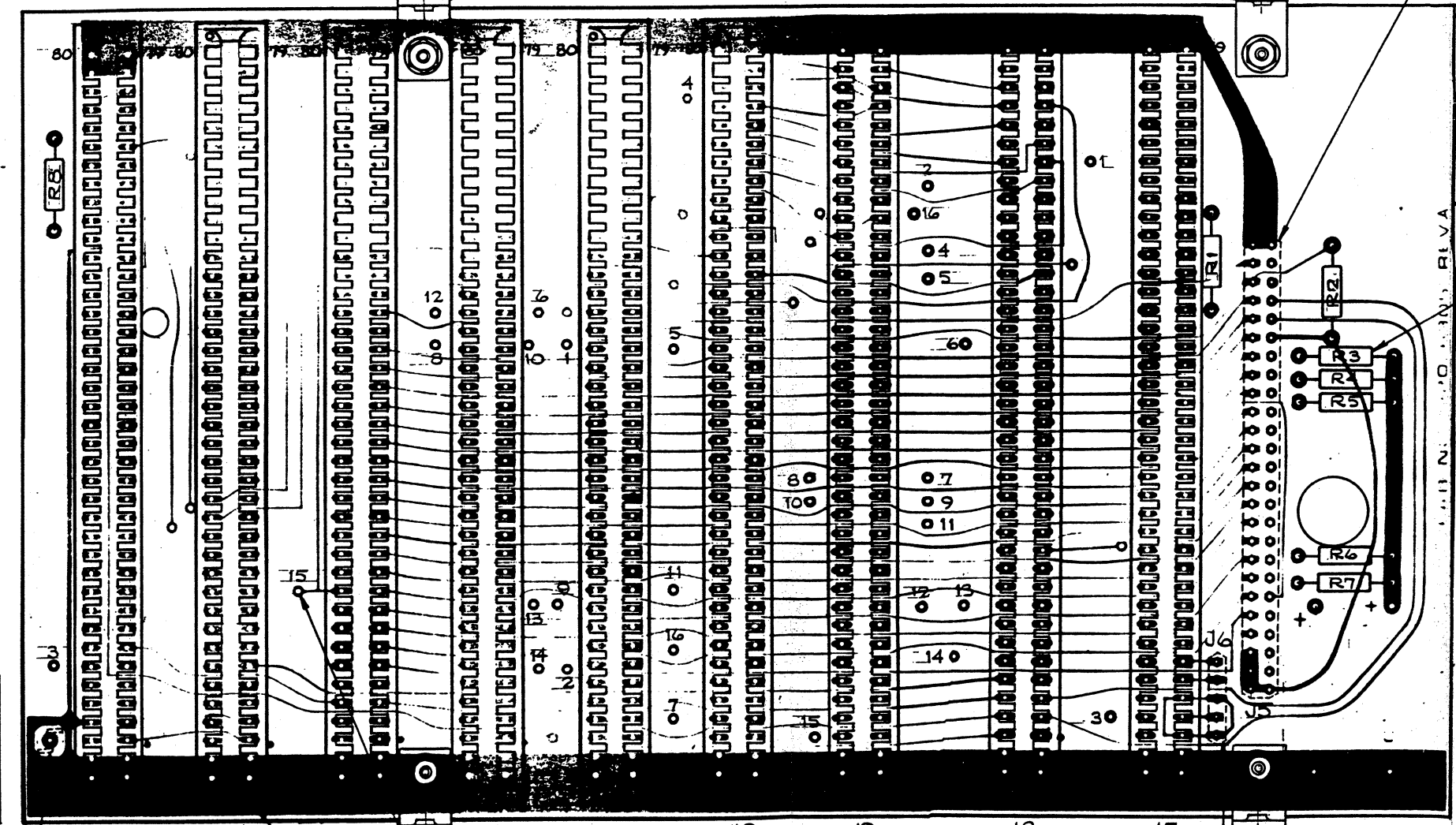
LTR	ECO NO.	CHANGED BY	APP'D BY	DATE
A	RELEASE		<i>TCM</i>	2/2/79
B	1045	M. MCMINN	<i>TCM</i>	6/11/79



NOTE:
NYLON WASHER, ITEM #21, IS ONLY USED BETWEEN THE TWO BRACKETS & P.C. BOARD AT THE TOP OF MOTHERBOARD.



NOTE:
MOUNT CONNECTOR FROM SOLDER SIDE OF BOARD.



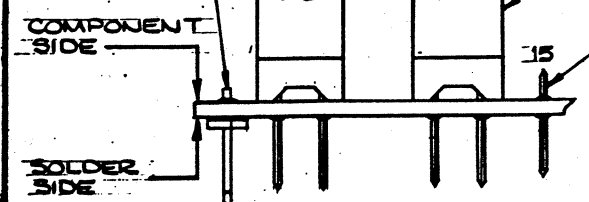
1

9 8 REQ'D

ITEM #15: ALL WIRE WRAPPING FROM PINS 1 THRU 16 IS TO BE WIRED ON SOLDER SIDE OF BOARD. SEE WIRING AID SHEETS.



NOTE:
MOUNT TEST POINT FROM SOLDER SIDE OF BOARD.



NOTE:
MOUNT FROM COMPONENT SIDE OF BOARD, SO THAT LONGER PORTION OF PIN IS ON THE SOLDER SIDE. SEE DETAIL "B".

SEE DETAIL "C" FOR MOUNTING PROCEDURE.

NOTE:
MOUNT STRIP ON SOLDER SIDE OF BOARD, SEE DETAIL "A".

COMPONENT SIDE.
SHEET #2 IS A SIZE L/M.

DRAWN BY: JB.	DATE: 01-31-79
CHECKED BY:	
ENG APPVL: <i>TCM</i>	2/2/79
MFG APPVL: <i>QU</i>	2/2/79

UNLESS OTHERWISE SPECIFIED
ALL DIMENSIONS ARE IN INCHES AFTER FINISHING
AND TOLERANCES ARE:

- .xxx ± .005
- .xx ± .01
- x/x ± 1/64
- ∠ ± 1°

WAVETEK
Wavetek Scientific, Inc.
10 Volvo Drive
Rockleigh, NJ 07647

TITLE
**ASSEMBLY
MOTHERBOARD-530**

SIZE C	DRAWING NO. 02-004-6305	REV B
SCALE: 2:1	SHEET 1 OF 2	

WAVETEK

Wavetek Scientific, Inc.
10 Volvo Drive
Rockleigh, NJ 07647

TITLE MOTHERBOARD 530

LIST OF MATERIAL

02-004-6305

REV

B

RELEASE AUTHORITY

CHK BY

RAM-MFU
4V

ASBY SIZE

C

DATE 01-29-79

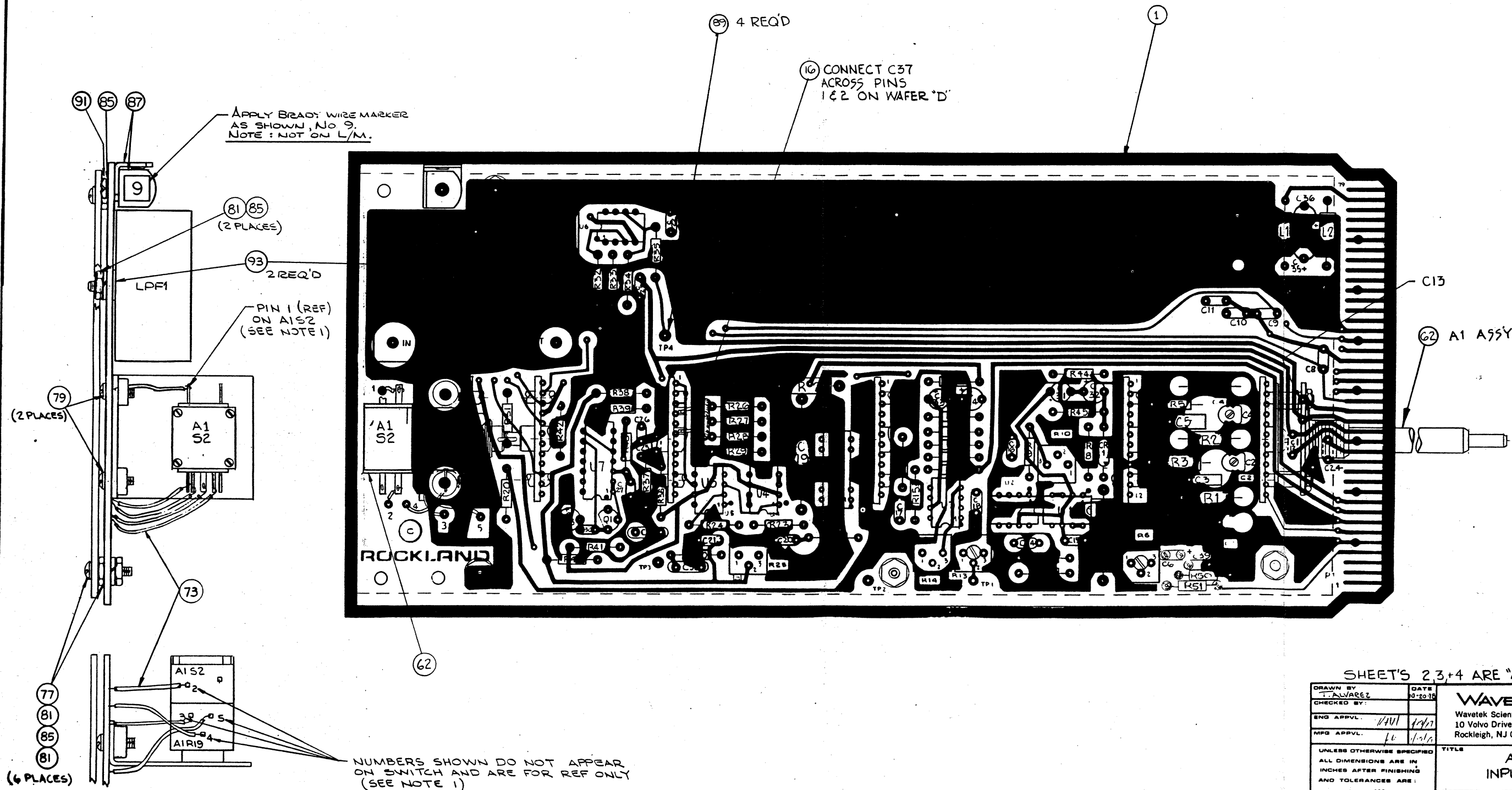
SHEET 2 OF 2

ITEM	PART NO	QTY	DESCRIPTION	REMARKS
1	01-320-6305	1	P.C.: MOTHERBOARD 530	
2				
3	354-0021	1	CONN: TERM. 50PIN DIL. ST.	J5
4				
5	354-0025	1	CONN: TERM. 5 PIN DIL. ST.	J6
6				
7	350-8001	9	CONN: P.C. .100 40PIN DR.SHT. WW	J7, J8, J9, J10, J11, J12, J13, J14, & J15
8				
9	116-3101	8	R: FXD. COMP. 10K OHM 5% , 1/4W	R1, R2, R3, R4, R5, R6, R7, & R8
10				
11				
12				
13	354-0007	32	CONN: TERM PIN W/W .025" (2 END)	1-16, 2 ea.
14				
15	378-1961	A/R	WIRE: #30 AWG. SLD. KYN. BLUE	
16				
17	354-0027	1	CONN: TERM TEST POINT	
18				
19	381-4042	4	M. SCR.: ST. CD. PH. #4-40 x 1/4" PH	
20				
21	388-3041	2	WASHER: FLAT NYLON #4, 1/32" THK.	
22				
23	389-3005	4	BRACKET: ANG. BR./CD. #4-40 TH.	.453" x .312"
24				
25	388-1042	4	WASHER: SPLT. LK. STNLS. #4	
26				
27	387-4081	4	NUT: HEX SS. #4-40 x 1/4" AF.	
28				
29				
30				
31				
32				
33				

LTR	ECO. NO.	CHANGED BY	APPROV BY	DATE
B	NEW RELEASE	WAT	Q.V.	1/29/79
C	1038	JB 5-9-79	WAT	6/12/79
D	1087	JB 12-3-79	WAT	7/16/80
E	1127	SAM 5-9-80	WAT	5/16/80
F	1150	TR 12-15-80	BPA	1/16/81
G	1198	8-3-81 DP	BPA	10/22/81

NOTE:

1. PIN NO. DESIGNATIONS SHOWN ON SWITCHES AIS2 AND AIR19 ARE FOR WIRING CLARITY, AND CORRESPOND TO NUMBERS ETCHED ON P.C. BOARD. PIN 1 WIRES TO PIN 1, THRU PIN 5 TO PIN 5.



SHEET'S 2,3,4 ARE "A" SIZE P/L

DRAWN BY T. ALVAREZ	DATE 10-20-78	WAVETEK Wavetek Scientific, Inc. 10 Volvo Drive Rockleigh, NJ 07647
CHECKED BY:		
ENG APPVL. WAT	1/1/79	ASSEMBLY, INPUT SECTION
MFG APPVL. L	1/1/79	
UNLESS OTHERWISE SPECIFIED ALL DIMENSIONS ARE IN INCHES AFTER FINISHING AND TOLERANCES ARE: .XXX ± .005 .XX ± .01 .X ± 1/64 ∠ ± 1°		TITLE ASSEMBLY, INPUT SECTION
SIZE D	DRAWING NO. 02 004-6310	REV G
SCALE 2:1	SHEET 1 OF 4	

WAVETEK

Wavetek Scientific, Inc.
10 Volvo Drive
Rockleigh, NJ 07647

TITLE				ASSEMBLY, INPUT SECTION		LIST OF MATERIAL		REV
						02 004-6310		G
RELEASE AUTHORITY	CHK BY	EDT	MFG	ASSY SIZE		DATE	SHEET 2 OF 4	
				D		10-20-78		

ITEM	PART NO	QTY	DESCRIPTION	REMARKS
1	01-320-6310	1	P.C.: INPUT SECTION BD.	
2				
3	01-320-6315	1	P.C.: SHIELD BD	
4				
5	108-0180	2	C: VAR MICA 3.5-18 PF	C2, C4
6	101-1100	1	C: FX MICA DP, 100PF, 10%, 500V	C3
7	101-2100	1	C: FX MICA DP, 1000PF, 10%, 500V	C5
8	109-5100	1	C: FX TANT 1.0UF, 20%, 35V	C6
9	100-3105	15	C: FX MONO. 0.1UF, +80-20%, 50V	C8, C9, C10, C11, C12, C13, C15, C16,
10				C17, C18, C20, C21, C22, C23, C24
11	100-0159	1	C: FX CER 15 PF 5% 500V NPO	C14
12	105-4470	1	C: FX PLSTR .47UF, 5%, 100V	C19
13	100-4102	5	C: FX MONO. 0.1UF, 50V (SKYCAP)	C25, C26, C27, C30, C39
14	109-6100	7	C: FX TANT, 10UF, 20%, 20V	C28, C31, C32, C33, C34, C35, C36
15	101-1200	1	C: FX MICA DP, 200PF, 10%, 500V	C29
16	101-0050	1	C: FX MICA DP, 5PF, 10%, 500V	C37
17	101-1300	1	C: FX MICA DP, 300PF, 10%, 500V	C38
18				
19				
20				
21	132-0457	1	CR: SL LW LK 70PIV	CR1
22				
23				
24	165-3007	1	FILTER: LOW PASS, 0-100 KHZ	LFF1
25				
26				
27	175-1508	1	RELAY: REED DIP 1FORMA 24V	K1 (DIODE BUILT-IN)
28				
29				
30	150-2100	2	L: FXD 1.0 MHY 10%	L1, L2
31				
32				
33	136-4249	1	Q: SIL PNP 2N4249	Q1

WAVETEK

Wavetek Scientific, Inc.
10 Volvo Drive
Rockleigh, NJ 07647

TITLE ASSEMBLY, INPUT SECTION				LIST OF MATERIAL 02 004-6310		REV G
RELEASE AUTHORITY	CHK BY PAW	MFG QU	ASSY SIZE ID	DATE 10-20-78	SHEET 3 OF 4	

ITEM	PART NO	QTY	DESCRIPTION	REMARKS
34	114-1000	2	R: FX MFLM, 1.00M, 1% 1/8W	R1, R22
35	113-9009	1	R: FX MFLM, 900K, 1% 1/10W	R2
36	113-1001	2	R: FX MFLM, 100K, 1% 1/10W	R3, R15
37	113-9909	1	R: FX MFLM, 990K, 1% 1/10W	R4
38	112-1001	3	R: FX MFLM, 10.0K, 1% 1/10W	R5, R36, R38
39				
40	111-2403	1	R: FX MFLM 2.40K 5% 2W 200PPM	R7
41	111-6811	4	R: FX MFLM 6.81K 1% 1/10W	R8, R9, R23, R24
42	118-2103	2	R: VAR CMT 1.0K 3/8 SQFM 18T	R10, R25
43	111-1001	4	R: FX MFLM 1.00K 1% 1/10W	R11, R29, R33, R34
44	111-8989	3	R: FX MFLM 8.98K 1% 1/10W	R12, R17, R26
45	118-2202	1	R: VAR CMT 2.0K 3/8 SQFM	R13
46	118-4103	1	R: VAR CMT 100K 3/8 SQFM	R6
47	118-4104	1	R: VAR CMT 100K 3/8 SQFM 18T	R14
48	112-3059	2	R: FX MFLM 30.5K 1% 1/10W	R16, R28
49				
50				
51	111-4321	3	R: FX MFLM 4.32K 1% 1/10W	R20, R37, R39
52	116-2101	3	R: FX COMP 1K 5% 1/4W	R21, R30, R42
53	111-2151	1	R: FX MFLM 2.15K 1% 1/10W	R27
54	111-2001	2	R: FX MFLM 2.00K 1% 1/10W	R31, R32
55	116-1101	4	R: FX COMP 100Ω 5% 1/4W	R35, R46, R47, R49
56	116-0101	2	R: FX COMP 10Ω 5% 1/4W	R40, R43
57	116-5101	2	R: FX COMP 1M 5% 1/4W	R41, R50
58	116-1221	2	R: FX COMP 220Ω 5% 1/4W	R44, R45
59	119-9091	1	R: FX MFLM 90.9Ω 1% 1/10W	R48
60	116-3471	1	R: FX COMP 47K 5% 1/4W	R51
61	110-9091	1	R: FX MFLM 909Ω 1% 1/10W	R18
62	02-008-6301	1	S: ROTARY SWITCH ASSY	A1 (INCLUDES S1, S2, R19)
63				
64				
65				
66				

WAVETEK

Wavetek Scientific, Inc.
10 Volvo Drive
Rockleigh, NJ 07647

TITLE

ASSEMBLY
INPUT SECTION

LIST OF MATERIAL

02 004-6310

REV.

G

RELEASE
AUTHORITY

CHK BY

ENG

MFG

ASSY SIZE

DATE 10-20-78

SHEET 4 OF 4

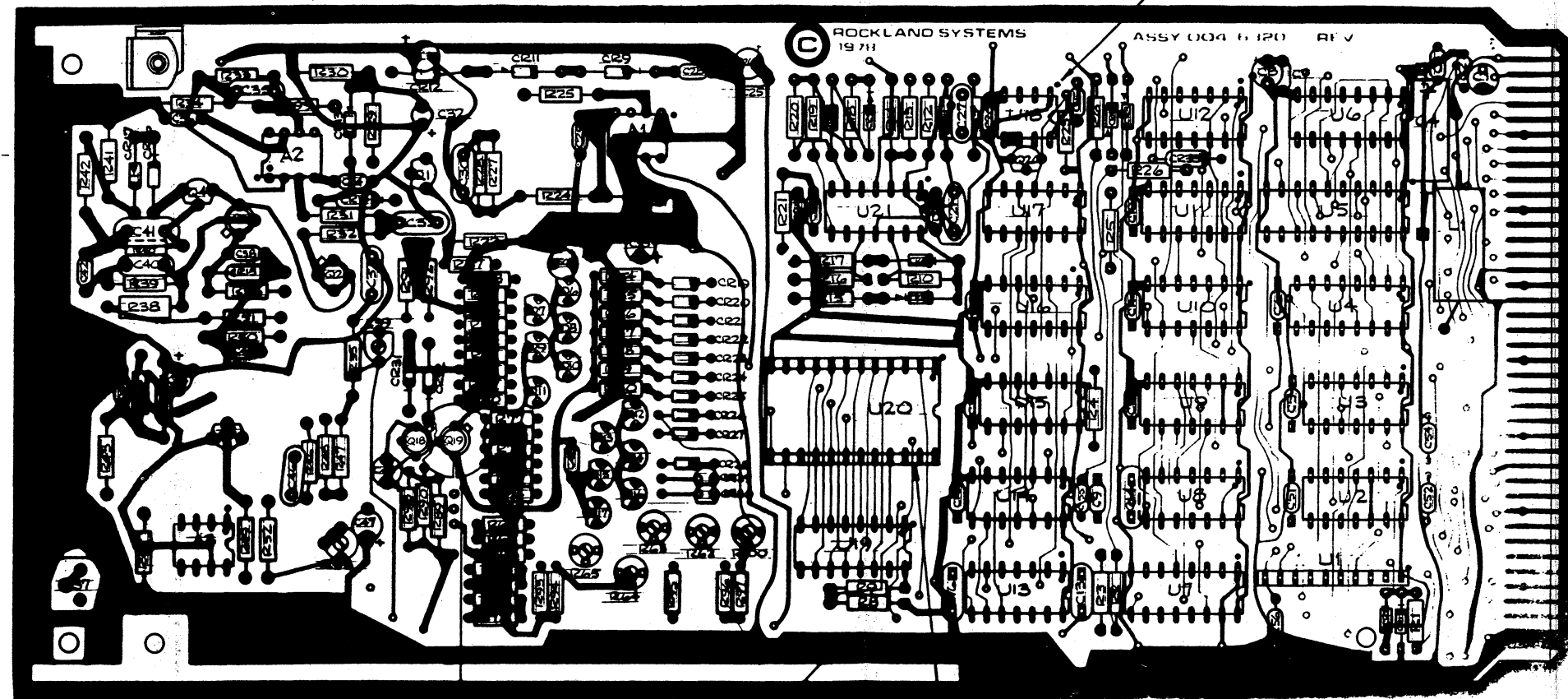
ITEM	PART NO	QTY	DESCRIPTION	REMARKS
67	138-5566	2	U: DUAL MATCHED FET, NPD 5566	U1, U4 NATIONAL
68				
69	120-1018	4	U: LIN OP-AMP, NE5534A	U2, U3, U5, U6 (USE "b" IF "A" NOT AVAIL.) SIGNETICS
70				
71	120-3339	1	U: ANALOG VOLT COMP, LM339	U7
72				
73	378-1605	6"	WIRE: 22 AWG BON (BLACK)	
74				
75				
76				
77	381-4072	6	M: SCR ST CD PH 4-40x7/16 PH	
78				
79	381-4042	2	M: SCR: ST CD PH 4-40x1/4 PH	
80				
81	387-4080	14	NUT: HX ST CD 4-40x1/4 AF	
82				
83	388-0040	2	WASHER: FLAT STL CAD #4	
84				
85	388-1042	9	WASHER: SPLTLK STL CAD #4	
86				
87	389-3001	2	BRKT ANG BR/CD 3/8x3/8	
88				
89	354-0007	4	CONN: TERM PIN, W.W. .025 (2 END)	W.W. POST 1-4
90				
91	381-4042	1	M: SCR: ST CD PH 4-40x1/4 PH	
92				
93	388-0060	2	WASHER: FLAT STL CAD #6	UNDER LPF1
94				
95				
96				
97				
98				
99	03-004-6310	REF	SCHEMATIC	

LTR	ISS NO.	CHANGED BY	APPROV BY	DATE
A	RELEASE		QY	3-6-79
B	1023	JB 5-30-79	QY	6/1/79
C	1051	JB 5-31-79	QY	6/1/79
D	1089	FZ	QY	9/17/80

127 128 126

APPLY BRADY WIRE MARKER
AS SHOWN, No. 8.
NOTE: NOT ON L/M.

DOT DENOTES PIN #1
(TYP. 24 PLACES)



12

132

2526

DRAWN BY: JB	DATE: 5-31-79	WAVETEK Wavetek Scientific, Inc. 10 Volvo Drive Rockleigh, NJ 07647
CHECKED BY:		
ENG APPVL: <i>AW</i>	<i>6/1/79</i>	
MFG APPVL: <i>JL</i>		TITLE: ASSEMBLY A/D CONVERTER SAMPLE & HOLD
UNLESS OTHERWISE SPECIFIED ALL DIMENSIONS ARE IN INCHES AFTER FINISHING AND TOLERANCES ARE: .XXX ± .005 .XX ± .01 X/X ± 1/64 ∠° ± 1°		DRAWING NO: 02-004-6320 SCALE: 2:1 SHEET: 1 OF 3
		REV: D

WAVETEK

Wavetek Scientific, Inc.
10 Volvo Drive
Rockleigh, NJ 07647

TITLE ASSEMBLY					LIST OF MATERIAL		REV
A TO D CONVERTER SAMPLE & HOLD					02 004-6320		0
RELEASE AUTHORITY	CHK BY	ENG	MFG	ASSY SIZE	DATE	SHEET	
		100A	4V	D	3/6/79	2 OF 5	

ITEM	PART NO	QTY	DESCRIPTION	REMARKS
1	01-320-6320	1	A TO D CONVERTER SEH PCB	
2				
3				
4				
5				
6				
7				
8	120-1019	1	U: OP AMP (LF357H)	A2 -
9	120-3810	1	U: DIFF COMPARATOR (72810L)	A1 -
10	120-1017	1	U: LIN OP AMP (LF351)	A3
11				
12	128-3104	1	U: RES NETWORK 10K Ω x9 (SIP)	U1
13				
14				
15	125-0139	1	U: OCT D FLIP W/CLR (74LS273)	U5
16	124-7432	1	U: QUAD 2IN OR GATE (74S32)	U11
17	125-7437	1	U: QUAD 2IN NAND BUFFER (74LS37)	U3
18	125-7474	6	U: DUAL TYP D FLP/FLP (74LS74)	U2, U9, U14, U15, U16, U17
19	125-0148	1	U: QD 2 IN NAND SMTTGR (74LS132)	U13
20	125-7486	1	U: QUAD 2IN XOR GATE (74LS86)	U10
21	120-2084	1	U: QD LIN BI FET OPAMP (TL084)	U21
22	120-3311	1	U: ANALOG VOLT COMP (LM311)	U18
23	125-0113	1	U: DUAL 4 TO 1 MPLXR (74LS153)	U7
24	128-2151	1	U: PULL UP NET 1.5K	U19
25	122-2504	1	U: 12 BIT APPROX REG (2504)	U20
26	353-2402	1	SOCKET: IC 24 PIN DIP ST	INSTALL AT U20
27				
28	150-2101	1	L: FxD 1MHZ	L1
29				
30	125-7408	1	U: QUAD 2 IN AND GATE	U8
31	125-0150	2	U: BBT ADRS LATCH (74LS259)	U4 U6
32	125-0134	1	U: DL 4 BIT BIN CTR (74LS393)	U12
33				

WAVETEK

Wavetek Scientific, Inc.
10 Volvo Drive
Rockleigh, NJ 07647

TITLE ASSEMBLY
ATOD CONVERTER SAMPLE & HOLD

LIST OF MATERIAL

02 004-6320

REV

0

RELEASE AUTHORITY CHK BY ENG MFG ASSY SIZE

DATE 3/6/79

SHEET 3 OF 5

ITEM	PART NO	QTY	DESCRIPTION	REMARKS
34	118-3100	1	R: VAR CMT 10K 1/4RD	R53
35	118-3102	1	R: VAR CMT 10K 3/8 SQ 18T	R37
36	110-5491	2	R: FX MFLM 549Ω 1% 1/10W	R44, R22
37	116-5121	1	R: FX COMP 1.2M 5% 1/4W	R11
38	116-2221	2	R: FX COMP 2.2KΩ 5% 1/4W	R47, R48
39	116-1331	2	↑ ↑ 330Ω ↑ ↑	R35, R91
40	116-3331	1	33K	R41
41	116-1181	2	180Ω	R40, R32
42	116-2331	7	3.3K	R6, R8, R9, R31, R45, R50, R51
43	116-2471	1	4.7K	R21
44	116-1681	1	680Ω	R24
45	116-5101	3	1.0M	R12, R20, R7
46				
47	116-1391	3	390Ω	R4, R5, R36
48	116-0101	3	10Ω	R66, R25, R99
49				
50	116-1221	1	220Ω	R92
51	116-1271	1	270Ω	R90
52	116-3681	1	68K	R2
53	116-3471	2	R: FX COMP 47K 5% 1/4W	R10, R16
54	116-3101	6	R: FX COMP 10K 5% 1/4W	R17, R18, R19, R15, R23, R26
55	116-2151	1	R: FX COMP 1.5K 5% 1/4W	R42
56	116-0471	4	R: FX COMP 47Ω 5% 1/4W	R1, R3, R29, R49,
57	116-0621	2	R: FX COMP 62Ω 5% 1/4W	R89, R98
58	110-7501	1	R: FX MFLM 750Ω 1% 1/10W	R30
59	110-8251	1	↑ ↑ 825Ω 1% 1/10W	R28
60	111-3161	1	3.16K 1% 1/10W	R46
61	110-8259	6	825Ω 1% T10	R56, R57, R58, R59, R60, R97
62	111-1659	1	1.650K 1% T10	R55
63	111-3309	1	3.300K 1% T10	R54
64	110-8156	1	815Ω 1% T10	R96
65	110-8009	3	800Ω 1% T10	R93, R94, R95
66	110-4766	1	R: FX MFLM 476Ω 1% T10	R72

WAVETEK

Wavetek Scientific, Inc.
10 Volvo Drive
Rockleigh, NJ 07647

TITLE ASSEMBLY
A TO D CONVERTER SAMPLE & HOLD

LIST OF MATERIAL

02 004-6320

REV

0

RELEASE AUTHORITY

CHK BY

ENG

MFG

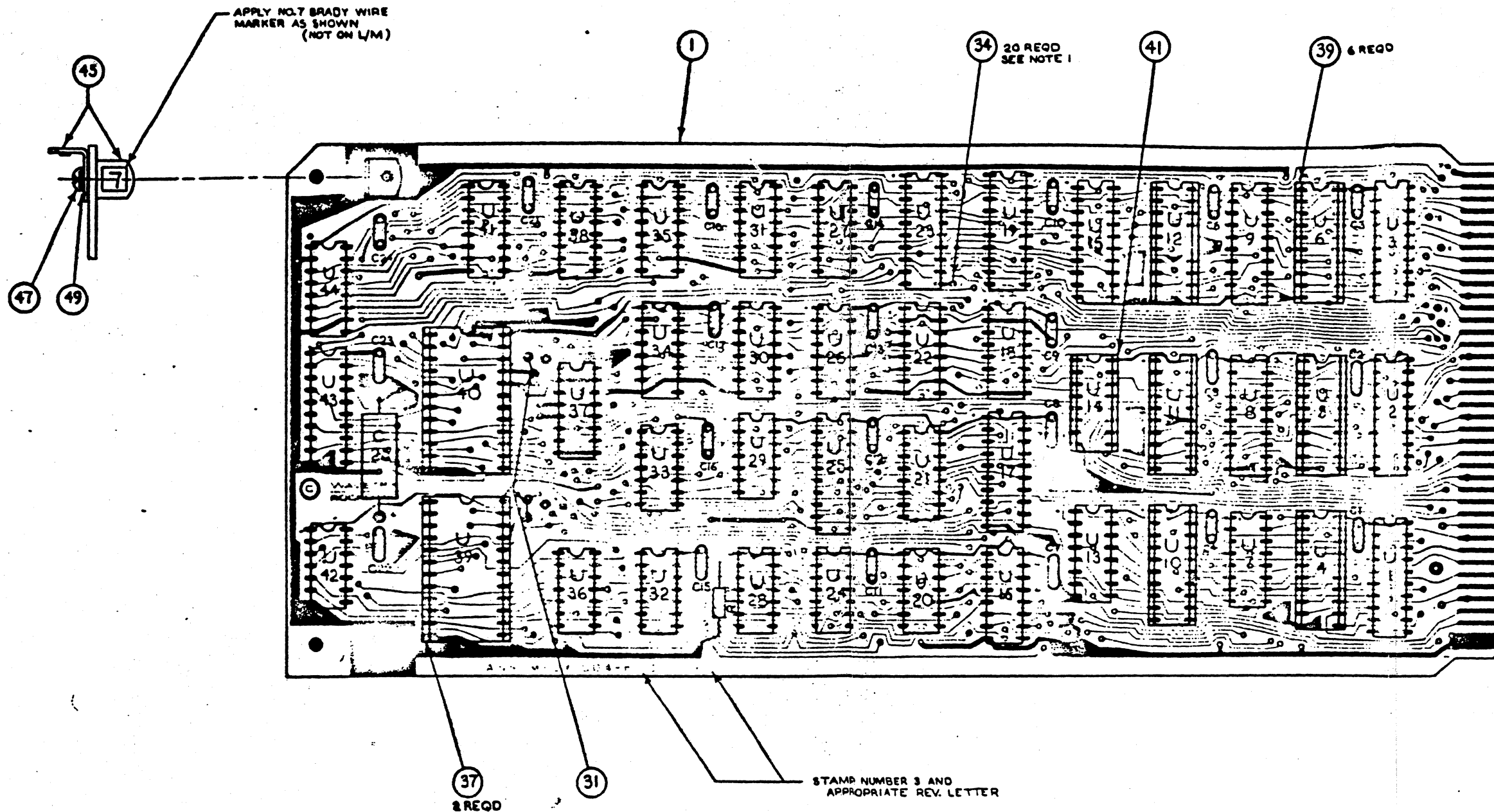
ASSY SIZE

DATE 3/6/79

SHEET 5 OF 5

ITFM	PART NO	QTY	DESCRIPTION	REMARKS
100	109-6100	9	C: FX TANT 10uf 20% 20V	C53, C1, C8, C26, C31, C44, C47, C49, C50
101	101-0220	1	C: Fx MICA DP 22pf 10% 500V	C46
102	101-1110	4	C: Fx MICA DP 110pf 5% 500V	C13, C16, C37, C40
103	109-5100	1	C: Fx TANT 1.0uf 20% 35V	C32
104				
105				
106	101-2100	1	C: Fx MICA DP 1000pf 10% 500V	C41
107	109-6470	1	C: Fx ELECT 47uf 40-63V	C4
108	100-4102	32	C: SKYCAP .1uf 50V	C55, C2, C3, C5, C6, C7, C54, C9, C10, C11, C12, C15, C17, C18, C19, C20, C23, C24, C25, C48, C28, C29, C34, C36, C38, C42, C43, C45, C51, C52
109				
110	100-2105	1	C: Fx CER .001uf 10% 500V	C21
111	101-1240	2	C: Fx MICA DIP 240pf 10% 500V	C14, C33
112				
113	101-1180	1	C: Fx MICA DIP 180pf 10% 500V	C30
114	101-0080	1	C: Fx MICA DIP 8pf 10% 500V	C35
115				
116	101-0050	1	C: Fx MICA DIP 5pf 10% 500V	C27
117				
118	108-0180	1	C: VAR MICA 3.5-18pf	C39
119				
120	133-0101	2	CR: HOT CARRIER, LOW CAP (M8D101)	CR29, CR30
121	131-9621	4	CR: SL 2R 6.25V/5% 400MW (IN823)	CR10, CR14, CR15, CR18
122	133-2800	10	CR: HOT CARRIER	CR19 THRU CR28
123	131-9510	2	CR: SL 2R 5.1 5% 400MW (IN751A)	CR6, CR32
124	132-0457	13	CR: SRLW LK 70PIV 200MW (IN457)	CR1, 2, 3, 4, 5, 7, 8, 9, 11, 12, 13, 16, 17
125	132-0277	1	CR: GER 120 PIV 100MA (IN277)	CR33
126	389-3001	2	BRKT ANG BR/CD 3/8 x 3/8	
127	381-4042	1	SCR: P.H. #4-40 x 1/4	
128	388-1042	1	WSHR LK SPLIT #4	
129				
130	131-9910	1	CR: SL 2R 9.1V 5% 400MW (IN757A)	CR31
131				
132	354-0027	1	CONN: TERM. TEST POINT	TP GND

REV	DATE	BY	APP'D BY
A	11-11-81		
B	11-11-81		
C	11-11-81		
D	11-11-81		
E	12-4-81		



NOTE:
 1. CONNECT WIRE WRAP PINS
 PIN 1 TO PIN 1, PIN 2 TO PIN 2 ETC.
 THRU PIN 10 TO PIN 10

SHEETS 1&2 ARE "A" SIZE L/M

DESIGNED BY	DATE	ROCKLAND Rockland Systems Corporation
CHECKED BY		
DATE APP'D	BY	Confidential property of ROCKLAND SYSTEMS CORP. not to be disclosed to others, reproduced or used for any purpose except as authorized in writing by above.
DATE APP'D	BY	
UNLESS OTHERWISE SPECIFIED ALL DIMENSIONS ARE IN INCHES AFTER FINISHING AND TOLERANCES ARE:		TITLE PC ASSY 7530 SEQUENCER
SIZE	DRAWING NO.	REV
D	02 004-6330	E
SCALE	SHEET	OF
2/1	1	3

WAVETEK

Wavetek Scientific, Inc.
10 Volvo Drive
Rockleigh, NJ 07647

TITLE PC ASSY HSP-1 SEQUENCER 7530					LIST OF MATERIAL 02 004-6330		REV F.
RELEASE AUTHORITY	CHK BY	ENG	MFG	ASSY SIZE	DATE	SHEET 2 OF 3	
	<i>JK</i>	<i>DK</i>	<i>UV</i>	D	1/11/79		

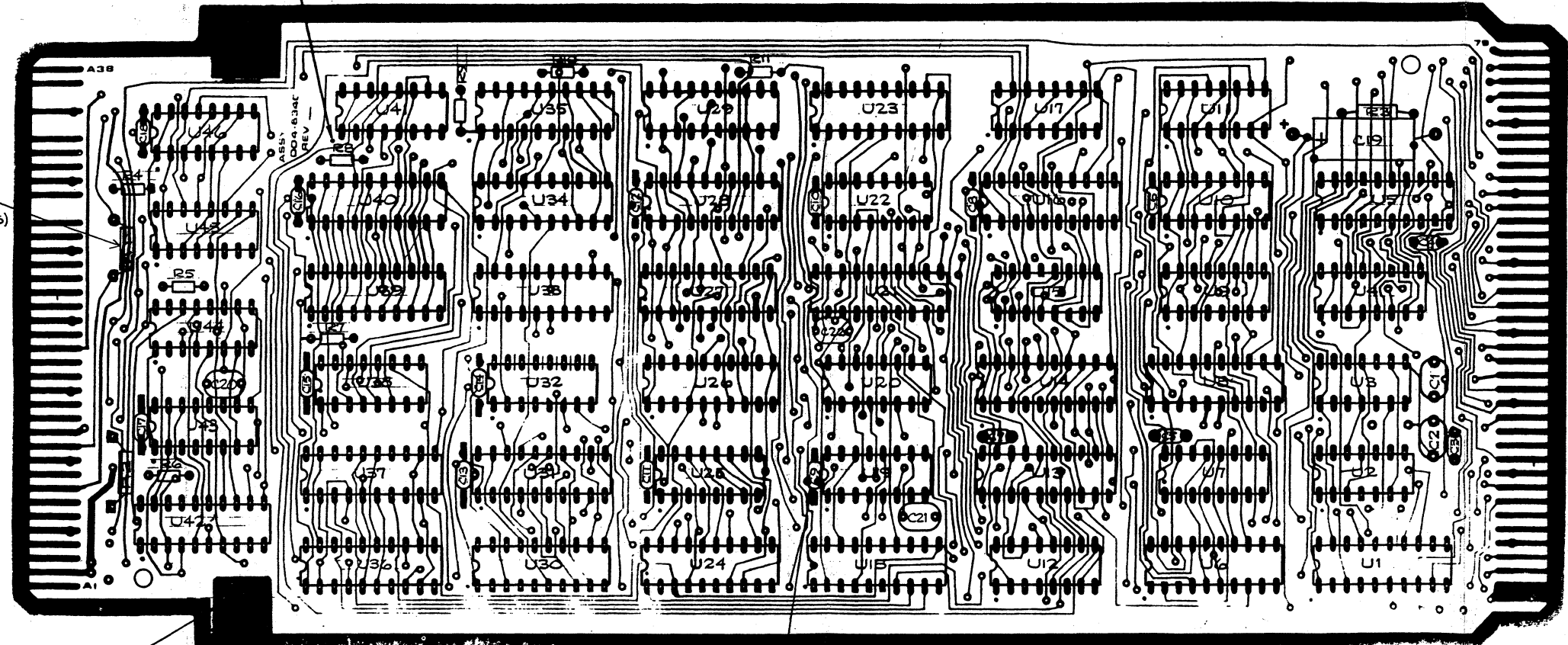
ITEM	PART NO	QTY	DESCRIPTION	REMARKS
1	01-320-6130	1	PC BD HSP-1 SEQUENCER 5830	
2				
3				
4	125.0139	9	U: OCT D-FLIP W/CLR 74LS273	U1, U2, U3, U8, U9, U15, U17, U23, U25
5				
6	125.0152	5	U: QUAD 2 IN MUX WITH STORAGE 74LS399	U7, U13, U26, U27, U38
7	021.0015	1	PROM: PGMD U14 6330 129.3001	REVA U14 32X8
8	124.0115	1	U: 3 TO 8 LINE DECOD 74S138	U16
9	125.0120	6	U: 4 BT 3-ST D-REG 74LS173	U18, U22, U34, U35, U44, U37
10	125.0140	2	U: OCT D-FLIP 3-ST 74LS374	U19, U43
11	124.7474	1	U: DLD TYPE FLIP FLOP (SHIF) 74S74	U20
12	125.0113	1	U: DUAL 4 TO 1 MPLXR 74LS153	U21
13	125.7474	1	U: DUAL TYPE D FLIP FLOP 74LS74	U24
14	124.7432	1	U: QUAD 2 IN OR GATE 74S32	U28
15	125.7408	2	U: QUAD 2 IN AND GATE 74LS08	U29, U33
16	125.7432	1	U: QUAD 2 IN OR GATE 74LS32	U42
17	125.0130	3	U: 4 BT FULL ADDER 74LS283	U30, U31, U41
18				
19	125.7400	1	U: QUAD 2 IN NAND GATE 74LS00	U32
20	125.7404	1	U: HEX INVERTER 74LS04	U36
21	021.8500	1	PROM: PGMD U39 6330 129.3015	REVA U39 1KX8
22	021.8501	1	PROM: PGMD U40 6330 129.3015	REVA U40 "
23				
24	109-6470	1	C: FX ELECT 47UF, 40-63 VOLTS	C25
25	100-4102	22	C: FXD MONO, .1UF, 50 WV	SKYCAP C1-C18, C21-C24
26	101-1100	1	C: FX MICA DP 100 PF, 5% 500V.	C26 SELECT AT TEST
27	116-1221	1	R: FXD COMP 220-Ω 1/4W 5%	R1
28				
29	378.1961	AIR	WIRE: #30 AWG SLD KYN BLUE	
30				
31	378-0601	A/R	WIRE: #22 AWG BUSS TINNED	JUMPER A & JUMPER B
32				
33				

LTR	ECO NO.	CHANGED BY	APPROV BY	DATE
A	RELEASE		D.H. G.V.	1-3-79
B	1044	JB 5-16-79	[Signature]	4/11/79
C	1079A	JB 12-17-79	[Signature]	12/17/79
D	1137	S.Z. SAIA	[Signature]	5/2/80

APPLY BRADY WIRE MARKER AS SHOWN, NO. 6.
NOTE: NOT ON L/M.

NOTE! DOT INDICATES PIN #1 (TYP. 46 PLACES)

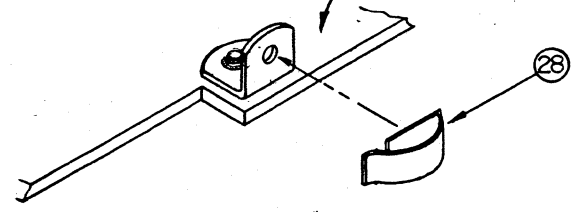
BEND AS SHOWN (2 PLACES)



CAUTION! RECTANGULAR CUT PADS LOCATED AT PIN #1 OF IC POSITIONS: U10, U16, U19, U22, U25, U28, U31, U32, U38, U40, U43, U46 INDICATE SKYCAPS (C6, C8, C9, C10, C11, C12, C13, C14, C15, C16, C17, & C18) DO NOT MOUNT IC PIN #1 IN THESE RECTANGULAR POSITIONS.

29 31
2 REQ'D

27 28
2 REQ'D
SEE DETAIL "A" FOR MOUNTING.



DETAIL "A"

SHEET #2 IS "A" SIZE L/M.

DRAWN BY: JB	DATE: 5-16-79	WAVETEK Wavetek Scientific, Inc. 10 Volvo Drive Rockleigh, NJ 07647
CHECKED BY:		
ENG APPVL:		
MFG APPVL:		TITLE: ASSEMBLY 24 BIT PROCESSOR
UNLESS OTHERWISE SPECIFIED ALL DIMENSIONS ARE IN INCHES AFTER FINISHING AND TOLERANCES ARE: .XXX ± .005 .XX ± .01 X ± 1/64 L' ± 1"		SIZE: D DRAWING NO: 02-004-6340 SCALE: 2:1 SHEET 1 OF 2

WAVETEK

Wavetek Scientific, Inc.
10 Volvo Drive
Rockleigh, NJ 07647

TITLE
ASSEMBLY
24 BIT PROCESSOR

LIST OF MATERIAL

02 004-6340

REV.

D

RELEASE
AUTHORITY

CHK BY

ENG

MFG

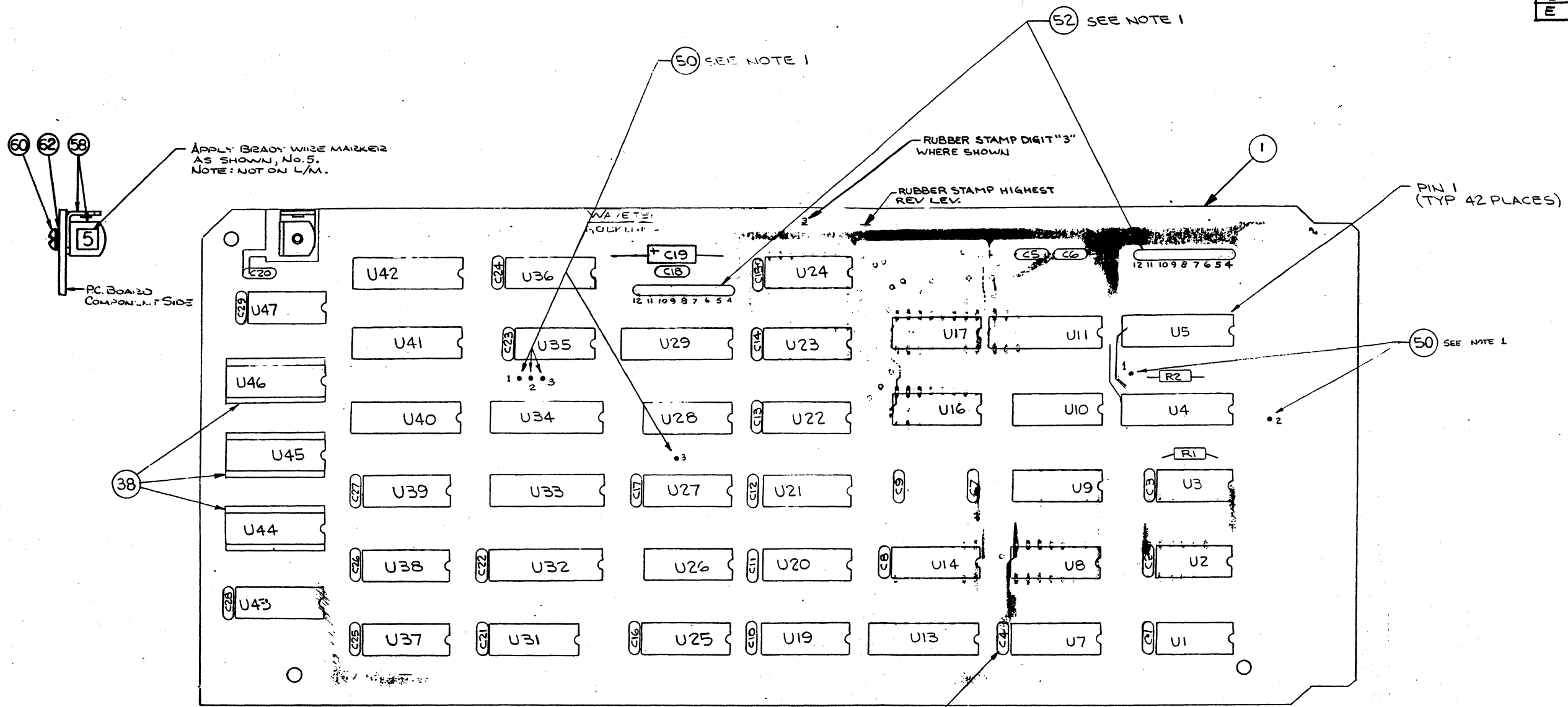
ABBY SIZE

DATE 1/3/79

SHEET 2 OF 2

ITEM	PART NO	QTY	DESCRIPTION	REMARKS
1	01-320-6340	1	P.C. BOARD	
2				
3	125-0140	17	U: 74LS374	U6,8,14,21,23,24,26,27,29,31,33,36,37, 39,40,42,35
4				
5				
6	125-0143	8	U: 74LS395	U7,12,19,25,32,38,43,44
7				
8	126-0142	6	U: AM25LS381	U1,13,18,28,30,34
9				
10	124-0104	2	U: 74S182	U20,22
11				
12	125-0151	2	U: 74LS299	U5,16
13				
14	125-0125	9	U: 74LS253	U4,9,10,11,15,17,41,45,46
15				
16	125-7414	1	U: 74LS14	U3
17				
18	124-7432	1	U: 74S32	U2
19	116-1221	1	R: FX COMP 220 OHM 5% 1/4W	R3
20	111-3921	2	R: FX MFLM 3.92 K 1% 1/10W	R1, R2
21	100-4102	16	C: FXD MONO .1uf 50V	C3-C18
22	101-0390	2	C: FXD MICA 39pf 500V	C1, C2
23	109-6470	1	C: FXD ELECT 47uf 40-63V	C19
24	101-0820	2	C: FXD MICA 82pf 500V	C20, C21
25	116-2100	7	R: FX CFLM 1.0K OHM 5% 1/8W	R5, R6, R7, R8, R9, R10, R11
26	116-1220	1	R: FX CFLM 220 OHM 5% 1/8W	R4
27	389-3001	2	BKT: ANG BR/CD 3/8 x 3/8	
28	304-0859	USE 1/3	SPRING: FORMED "IM" MODULE	
29	381-4042	2	MSCR: ST CD PH 4-40 x 1/4 PH	
30	101-1100	1	C: FXD MICA DIP 100pf 10% 500V	C22
31	388-1042	2	WASHER: SPLT LK STNLS #4	
32				
33				

LTR	ECO NO.	CHANGED BY	APPROV BY	DATE
A	RELEASE			1/11/79
B	1031	JS 5-11-79		6/20/79
C	1178	TF2FERRE		8/16/79
D	1402	M.MCMINN		1/10/80
E	1413	M.MCMINN		6/17/80



NOTES:
 1. CONNECTIONS FOR WIRE WRAP PINS AT LOCATIONS SHOWN ARE MADE FROM PIN 1 TO PIN 1, PIN 2 TO PIN 2 ETC

CAUTION!
 RECTANGULAR CUT PADS LOCATED ABOVE IC'S AT POSITIONS U1, U2, U3, U7, U11, U21, U31, U32, U25, U36, INDICATE SKYCAPS C1, C2, C3, C4, C8, C16, C21, C22, C24, DO NOT MOUNT IC'S IN THESE POSITIONS *OTHER SKYCAPS SIMILARLY SHOWN HAVE DIFFERENT CENTER ALIGNMENT THAN I.C. PATTERN

SHEETS 2 & 3 A SIZE (4/11/79)

DRAWN BY: <i>JS</i>	DATE: <i>1/11/79</i>	WAVETEK Wavetek Scientific, Inc. 10 Volvo Drive Rockleigh, NJ 07647
CHECKED BY:		
ENG APPVL: <i>1/11/79</i>	DATE: <i>1/11/79</i>	
MFG APPVL: <i>1/11/79</i>	DATE: <i>1/11/79</i>	
UNLESS OTHERWISE SPECIFIED ALL DIMENSIONS ARE IN INCHES AFTER FINISHING AND TOLERANCES ARE:		TITLE: ASSEMBLY 12 BIT PROCESSOR
.XXX ± .005	.XX ± .01	SIZE: D
.X ± 1/64	∠ ± 1°	DRAWING NO: 02 004-6350
		SCALE: 2/1 SHEET 1 OF 3
		REV: E

WAVETEK

Wavetek Scientific, Inc.
10 Volvo Drive
Rockleigh, NJ 07647

TITLE ASSEMBLY 12 BIT PROCESSOR				LIST OF MATERIAL 02 004-6350		REV E
RELEASE AUTHORITY	CHK BY	DATE	ABBY SIZE D	DATE	SHEET 2 OF 3	

ITEM	PART NO	QTY	DESCRIPTION	REMARKS
1	01-320-6150	1	P.C. BOARD, 12 BIT PROC.	
2				
3	124-7432	1	U: 74S32	U1
4				
5	124-7486	1	U: 74S86	U2
6				
7	124-7408	1	U: 74S08	U3
8				
9	125-0140	6	U: 74LS374	U4, U5, U11, U13, U40, U41
10				
11	125-0122	7	U: 74LS194	U7, U8, U9, U10, U26, U27, U28
12				
13	125-0152	2	U: 74LS399	U14, U17
14				
15	124-0114	1	U: 74S134	U16
16				
17	125-0149	3	U: 74LS158	U19, U21, U23
18				
19	129-3009	3	U: 74S189	U20, U22, U24
20				
21	125-0120	5	U: 74LS173	U25, U36, 37, 38, 39
22				
23	125-0139	1	U: 74LS273	U29
24				
25	124-0104	1	U: 74S182	U31
26				
27	126-0142	3	U: 25LS381	U32, U33, U34
28				
29	125-7432	1	U: 74LS32	U35
30				
31	125-0151	1	U: 74LS299	U42
32				
33	125-0143	1	U: 74LS395	U43

WAVETEK

Wavetek Scientific, Inc.
10 Volvo Drive
Rockleigh, NJ 07647

TITLE ASSEMBLY				LIST OF MATERIAL		REV
12 BIT PROCESSOR				02 004-6350		E
RELEASE AUTHORITY	CHK BY	ENG	MFG	ABBY SIZE	DATE	SHEET 3 OF 3
	<i>[Signature]</i>	<i>[Signature]</i>	<i>[Signature]</i>	D	1/11/79	

ITEM	PART NO	QTY	DESCRIPTION	REMARKS
34	129-3017	3	U: 2114L-3	U44, U45, U46
35				
36	125-7474	1	U: 74LS74	U47
37				
38	353-1801	3	SOCKET: IC 18 PIN DIP ST	INSTALL AT U44, U45, U46
39				
40	116-1221	2	R: FXD COMP 220Ω 1/4W, 5%	R1, R2
41				
42				
43				
44	100-4102	27	C: FXD MONO, .1μf, 50V	C1-C18, C21-C29 (SKYCAP)
45				
46	109-6470	1	C: FXD ELECT 47μf 40-63V	C19
47				
48	101-0390	1	C: FXD MICA 39PF 10% 500V	C20
49				
50	354-0007	6	CONN: TERM PIN WW.025 (2END)	WIRE WRAP POSTS 1 THRU 3 PAIRS
51				
52	354-0024	2	CONN: TERM 9 POS SIL ST	
53				
54	378-1961	A/R	WIRE: #30 AWG SLD KYN BLU	
55				
56				
57				
58	389-3001	2	BRKT: ANG BR/CD 3/8 x 3/8	
59				
60	381-4042	1	MSQR: ST CD PH 4-40 x 1/4 PH	
61				
62	388-1042	1	WSHR: LK SPLT #4	
63				
64				
65				
66				

WAVETEK

Wavetek Scientific, Inc.
10 Volvo Drive
Rockleigh, NJ 07647

TITLE

530
MEMORY BOARD

LIST OF MATERIAL

02 004-6360

REV

K

RELEASE
AUTHORITY

CHK BY

EDM

MFG

ASBY SIZE

D

DATE 12/29/78

SHEET 2 OF 3

ITEM	PART NO	QTY	DESCRIPTION	REMARKS
1	01-320-6160	1	BOARD, P.C.	
2				
3	109-6100	3	CAP: FXD TANT 10 μ f, 20V	C12, C13, C33
4				
5	101-1100	2	CAP: FXD MICA DIP 100pf, 500V	C1, C40
6				
7	101-1200	1	CAP: FXD MICA DIP 200pf, 500V	C2
8	101-0470	1	CAP: FXD MICA DIP 47pf 500V	C38
9	100-4102	38	CAP: FXD MONO .1 μ f 50V	C3, C4-C11, C14-C32, C34, C35, C36, C37
10				C39, C41-C45
11	116-0681	2	R: FXD COMP. 68 Ω 5% 1/4W	R1, R3
12				
13	116-1101	2	R: FXD COMP 100 Ω 5% 1/4W	R2, R9
14	116-2101	1	R: FX COMP 1.0K OHM 5% 1/4W	R10
15	128-2105	1	U: PULLUP NET 1K X7 2% SIP	U7
16				
17	116-3101	5	R: FXD COMP 10K Ω 5% 1/4W	R4, R5, R6, R7, R8
18				
19	125-0140	7	U: 74LS374	U12-U18
20				
21	129-3016	8	U: MK 4116	U19-U26
22				
23	125-8195	2	U: 81LS95	U1, U3
24				
25	125-0149	2	U: 74LS158	U2, U4
26				
27	125-0117	1	U: 74LS151	U6
28				
29	125-0134	1	U: 74LS393	U5
30				
31	125-7410	2	U: 74LS10	U10, U39
32				
33	124-0140	1	U: 74S374	U36

WAVETEK

Wavetek Scientific, Inc.
10 Volvo Drive
Rockleigh, NJ 07647

TITLE

530 MEMORY BOARD

LIST OF MATERIAL

02 004-6360

REV

H

RELEASE
AUTHORITY

CHK BY

EVA

MFB

ABBY SIZE

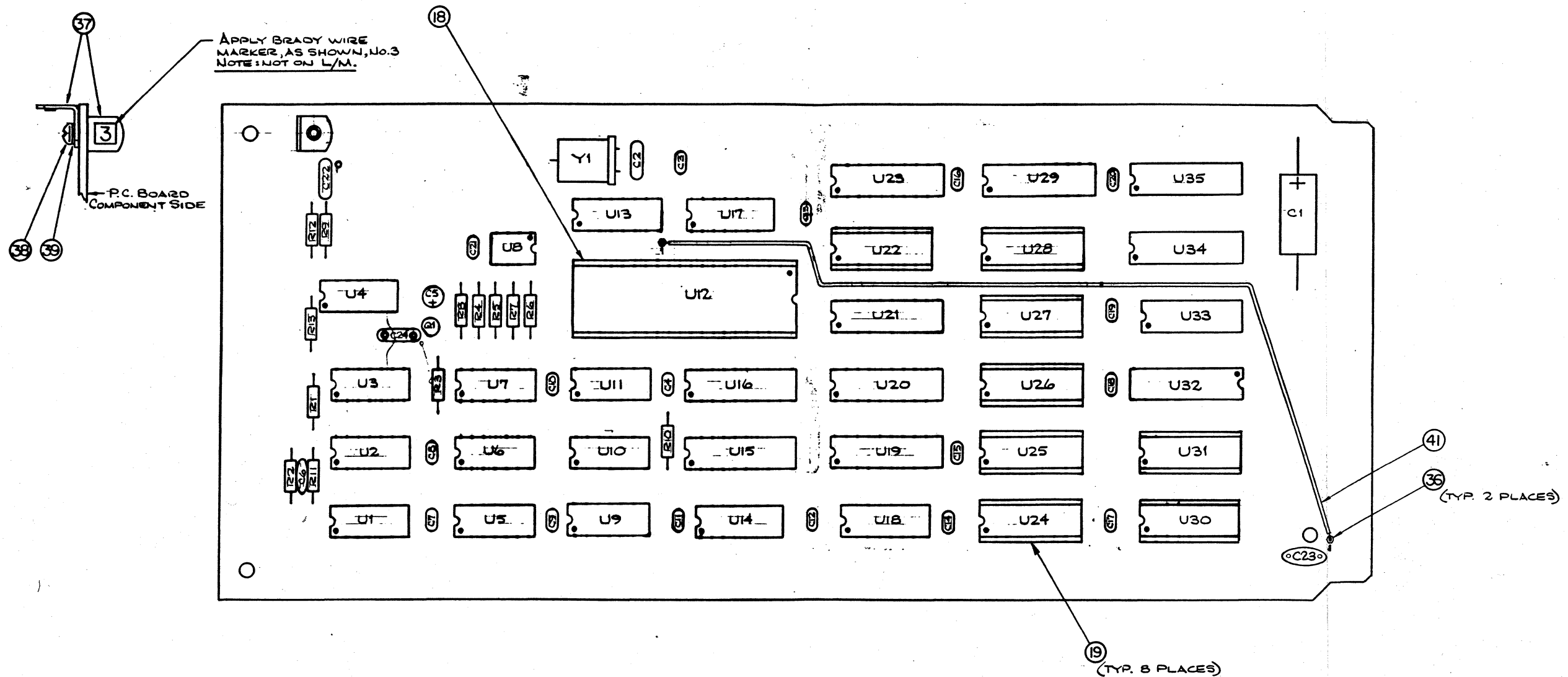
D

DATE 12/29/78

SHEET 3 OF 3

ITEM	PART NO	QTY	DESCRIPTION	REMARKS
34	125-7486	1	U: 74LS86	U11
35				
36	125-7451	1	U: 74LS51	U9
37				
38	125-7474	4	U: 74LS74	U8, U29, U31, U32
39				
40	125-7404	1	U: 74LS04	U38
41				
42	124-7404	1	U: 74S04	U28
43				
44	125-7400	1	U: 74LS00	U34
45				
46	124-7400	1	U: 74S00	U30
47				
48	124-7440	1	U: 74S40	U33
49				
50	125-7440	1	U: 74LS40	U40
51				
52	124-7408	1	U: 74S08	U41
53				
54	124-0119	1	U: 74S163	U27
55				
56	021-0014	1	PROM: PGMD 530 MEM U35 (129-3001)	U35
57				
58	124-0110	1	U: 74S175	U37 SIGNETICS ONLY
59	378-5221	3/8"	SLVNG: PLASTIC FB RGLS #22AWG	TOP LEAD OF R29
60	353-1604	9	SOCKET (16 PIN)	INSTALL AT U19 THRU U26 & U35
61	354-0007	8	CONN: TERM PIN WW .025 (2END)	WW POST 1-4 (4PAIRS)
62	161-9000	1	BUS BAR: 9-TERM-X-1 IN SP	
63	381-4042	1	MSCR: ST CD PH. 4-40 x 1/4 PH	
64	389-3001	2	BKT: AUG BR/CD 3/8 x 3/8	
65	388-1042	1	WASHER LK SPLT #4	
66	378-1961	A/R	WIRE: #30 AWG SLD KYN BLUE	

LTR	ECO NO.	CHANGED BY	APPR'D BY	DATE
A	RELEASE		RUM	9/1/79
B	1032	JB 5-22-79	RUM	6/1/79
C	1037	JB 6-14-79	RUM	6/2/79
D	1293	TZ 11-17-81	RUM	1/18/82



SHEETS 2,3,4 ARE "A" SIZE L/M.

DRAWN BY: JB	DATE: 5-22-79	WAVETEK Wavetek Scientific, Inc. 10 Volvo Drive Rockleigh, NJ 07647
CHECKED BY:		
ENG APPVL: [Signature]	[Signature]	
MFG APPVL: [Signature]	[Signature]	
UNLESS OTHERWISE SPECIFIED ALL DIMENSIONS ARE IN INCHES AFTER FINISHING AND TOLERANCES ARE:		TITLE ASSEMBLY Micro-Processor P.C.B.
.XXX ± .005 .XX ± .01 X/X ± 1/64 ∠ ± 1°		SIZE: D DRAWING NO: 02-004-6365 SCALE: 2:1 SHEET: 4 of 4

WAVETEK

Wavetek Scientific, Inc.
10 Volvo Drive
Rockleigh, NJ 07647

TITLE ASSEMBLY 530 MICROPROCESSOR			LIST OF MATERIAL 02004-6365	REV. D
RELEASE AUTHORITY	CHK BY EDM	DATE 12/29/78	ABBY SIZE D	SHEET 2 OF 4

ITEM	PART NO	QTY	DESCRIPTION	REMARKS
1	320-6365	1	P.C. BOARD	
2	120-8555	1	LM555	U8
3	125-7400	1	74LS00	U6,
4	125-7404	2	74LS04	U5, U9
5	125-7408	1	74LS08	U3
6	125-7410	2	74LS10	U1, U10
7	125-7432	2	74LS32	U2, U4
8	125-7474	2	74LS74	U7, U11 (CANNOT USE SIGNETICS FOR U11)
9	125-0115	1	74LS138	U17
10	125-0109	1	74LS174	U14
11	125-0150	1	74LS259	U18
12	125-0151	1	74LS299	U15
13	125-0140	1	74LS374	U29
14	129-3200	1	8080A	U12
15	125-8195	9	81LS95	U16, U19-U21, U23, U32-35
16				

WAVETEK

Wavetek Scientific, Inc.
10 Volvo Drive
Rockleigh, NJ 07647

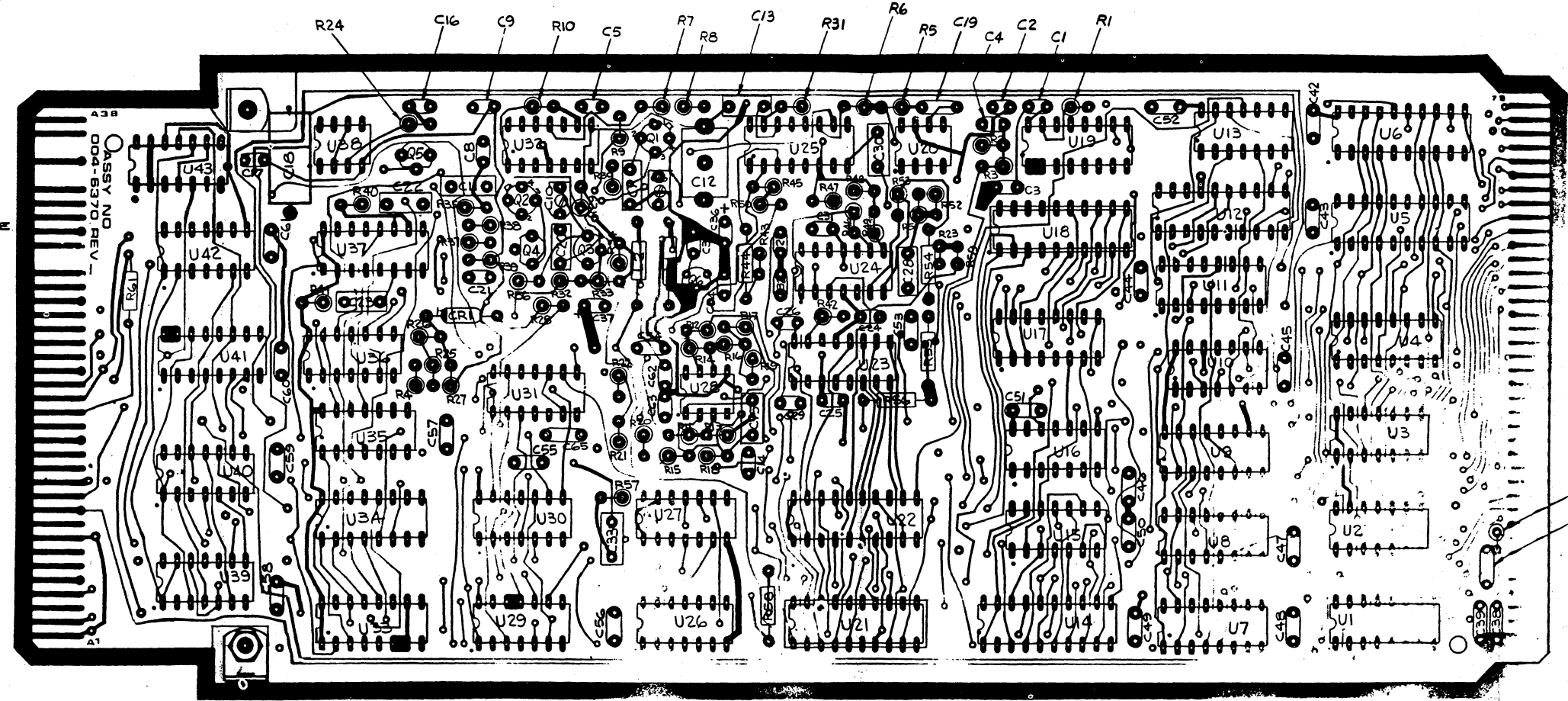
TITLE ASSEMBLY				LIST OF MATERIAL		REV.
530 MICROPROCESSOR				021004-6365		D
RELEASE AUTHORITY	CHK BY	DATE	MFG	ASBY SIZE	DATE	SHEET
				D	12/29/78	3 OF 4

ITEM	PART NO	QTY	DESCRIPTION	REMARKS
17	129 - 3250	1	8224	U13
18	353 - 4001	1	SOCKET, IC 40 PIN DIP ST	INSTALL IN U12
19	353 - 1801	8	SOCKET, IC 18 PIN DIP ST	INSTALL IN U2224-28, 30, 31
20	136 - 4249	1	2N4249	Q1
21	116 - 3101	5	R: FX Comp 10K Ω 5% 1/4W	R1 - R3, R9, R10
22	116 - 2221	2	R: FX Comp 2.2K Ω 5% 1/4W	R4, R5
23	116 - 3271	1	R: FX Comp 27K Ω 5% 1/4W	R6
24	116 - 1471	1	R: FX Comp 470 Ω 5% 1/4W	R7, R13
25	116 - 3221	1	R: FX Comp 22K Ω 5% 1/4W	R8
26	116 - 1331	1	R: FX Comp 330 Ω 5% 1/4W	R11
27	101 - 0220	1	C: FX MICA DP 22pF 10% 500V	C2
28	100 - 4102	17	C: FX Mono .1 μ f 50V Z5U	C3, C4, C7 - C21
29	100 - 2105	1	C: FX Cer. 001 μ F 10% 500V	C6
30				
31				
32	109 - 6470	1	C: FXD ELECT 47 μ f 40-63V	C1
33	109 - 6100	1	C: FX tant 10 μ f 20% 20V	C5
34				
35	162 - 3751	1	XTAL: 18.000 MHz	Y1

REV	ECO NO	CHANGED BY	APPROV BY	DATE
A	RELEASE			4/12/79
B	1034	JB 524-79		6/19/79
C	1190	TC 3-6-81		3/6/81

APPLY BRADY WIRE MARKER
AS SHOWN, No. 2.
NOTE: NOT ON L/M.

85 87 85



85 87 88 85

R60
CG4

SHEETS 2 THRU 7 "A" SIZE L/M

WAVETEK
Wavetek Scientific, Inc.
10 Volvo Drive
Rockleigh, NJ 07647

7/4/79
1/1/79
1/1/79

DISPLAY, 530
ASSEMBLY

02 004 - 6370 - REV C
SHEET 1 OF 7

WAVETEKWavetek Scientific, Inc.
10 Volvo Drive
Rockleigh, NJ 07647

TITLE

530 DISPLAY

LIST OF MATERIAL

02 004-6370

REV

C

RELEASE
AUTHORITY

CHK BY

ENG

MFG

ASSY SIZE

DATE 1/2/78

SHEET 2 OF 7

ITEM	PART NO	QTY	DESCRIPTION	REMARKS
1	01-320-6370	1	P.C. BOARD	
2	111-6040	2	R: 6.04K 1% 1/10W	R1, R42
3	111-1240	1	R: 1.24K 1% 1/10W	R23
4	111-1001	1	R: 1.00K 1% 1/10W	R59
5	111-6341	2	R: 6.34K 1% 1/10W	R2, R55
6	111-2431	1	R: 2.43K 1% 1/10W	R5
7	112-1130	1	R: 11.3K 1% 1/10W	R6
8	112-1271	6	R: 12.7K 1% 1/10W	R10, R14, R16, R30, R51, R53
9	111-3401	1	R: 3.40K 1% 1/10W	R15
10	112-1371	2	R: 13.7K 1% 1/10W	R19, R49
11	112-2261	1	R: 22.6K 1% 1/10W	R20
12	111-4991	1	R: 4.99K 1% 1/10W	R43
13	112-2490	1	R: 24.9K 1% 1/10W	R44
14	111-6811	1	R: 6.81K 1% 1/10W	R46
15	112-1821	1	R: 18.2K 1% 1/10W	R47
16	111-3921	2	R: 3.92K 1% 1/10W	R52, R54
17	116-2821	1	R: 8.2K 5% 1/4W	R40

WAVETEK

Wavetek Scientific, Inc.
10 Volvo Drive
Rockleigh, NJ 07647

TITLE 530 DISPLAY				LIST OF MATERIAL 02 004-6370		REV. C
RELEASE AUTHORITY	CHK BY DWA	DATE MFB	ASBY SIZE	DATE	SHEET 3 OF 7	

ITEM	PART NO	QTY	DESCRIPTION	REMARKS
18	116-3181	1	R: 18K 5% 1/4W	R41
19	116-3561	2	R: 56K 5% 1/4W	R3, R56
20	116-3101	7	R: 10K	R4, R22, R24, R31, R45, R50, R58
21	116-2471	6	R: 4.7K	R7, R9, R32, R33, R38, R61
22	116-1561	2	R: 560Ω	R8, R29
23	116-3271	1	R: 27K	R11
24	116-0101	2	R: 10Ω	R12, R17
25	116-2101	3	R: 1K	R13, R28, R57
26	116-1101	1	R: 100Ω	R60
27	116-1821	1	R: 820Ω	R25
28	116-2681	1	R: 6.8K	R26
29	116-2331	1	R: 3.3K	R27
	116-3821	1	R: 82K	R48
30	116-4101	1	R: 100K	R18
30A	116-4301	1	R: 300K	R21
31	116-1681	1	R: 680Ω	R34
32	116-2271	1	R: 2.7K	R35
33	116-1331	2	R: 330Ω	R36, R39
34	116-2301	1	R: 3K 5% 1/4W	R37

WAVETEK

Wavetek Scientific, Inc.
10 Volvo Drive
Rockleigh, NJ 07647

TITLE 530 DISPLAY					LIST OF MATERIAL 02-004-6370		REV C
RELEASE AUTHORITY	CHK BY	ENG	MFG	ASSY SIZE	DATE	SHEET 4 OF 7	

ITEM	PART NO	QTY	DESCRIPTION	REMARKS
35	100-4102	42	CAP .1uf "SKYCAP"	C1-C5, C8, C9, C14, C16, C17, C21 C24-C27, C29, C31, C32, C34, C35, C42-C63,
36	101-1330	2	CAP 330pf MICA 10%	C7, C11
37	101-1910	1	CAP 910pf MICA 10%	C30
38	101-1100	1	CAP 100pf MICA 10%	C19
39	101-0270	1	CAP 27pf MICA 500V 10%	C15
40	101-1240	2	CAP 240pf MICA 10%	C23, C65
41	104-3105	1	CAP: FX POLYST .01uf, 63V, 1%	C18
42	100-2105	1	CAP .001uf	C33
43	101-0910	1	CAP 91pf MICA 1%	C28
44	109-5100	2	CAP 1.0uf TANT 35V	C36, C37
45	100-3105	2	C: FX MONO .01uf +80-20% 50V	C38, C39
46	108-0180	2	CAP VAR 3.5-18pf MICA	C6, C10
47	108-1110	1	CAP VAR 25-115pf MICA	C12
48	150-2100	2	L: FXD 1.0 MH ±10%	L1, L2
49	100-2110	1	CAP: FX MICA DP 1100 PF, 5%, 500V	C13
50	101-0470	3	CAP 47pf MICA 10%	C20, C22, C64

WAVETEK

Wavetek Scientific, Inc.
10 Volvo Drive
Rockleigh, NJ 07647

TITLE 530 DISPLAY				LIST OF MATERIAL 02 004-6370		REV. C
RELEASE AUTHORITY	CHK BY [Signature]	ENG [Signature]	MFG [Signature]	ASBY SIZE	DATE	SHEET 5 OF 7

ITEM	PART NO	QTY	DESCRIPTION	REMARKS
51	132-0457	1	CR: IN457	CR1
52	138-0660	2	Q: MEM 660	Q1, Q2
53	136-4122	2	Q: 2N4122	Q3, Q4
54	134-3565	1	Q: 2N3565	Q5
55	120-0122	1	Q: 78L12	Q6
56	125-0139	4	U: 74LS273	U5, U6, U12, U22
57	125-7486	1	U: 74LS86	U13
58	129-1505	2	U: DAC-08	U19, U23
59	120-1016	2	U: TL081	U20, U38
60	138-5012	1	U: IH5012	U25
61	120-2084	2	U: TL084	U24, U32
62	120-2082	1	U: TL082	U28
63	021-7500	1	PROM: PGMD U18-6370(129-3018)	U18 REV A
64	125-0124	1	U: 74LS251	U17
65	122-7406	1	U: 7406	U36
66	125-7400	1	U: 74LS00	U16
67	125-7408	1	U: 74LS08	U35

WAVETEK

Wavetek Scientific, Inc.
10 Volvo Drive
Rockleigh, NJ 07647

TITLE

530 DISPLAY

LIST OF MATERIAL

02-004-6370

REV

C

RELEASE
AUTHORITY

CHK BY

ENG

MFG

ASSY SIZE

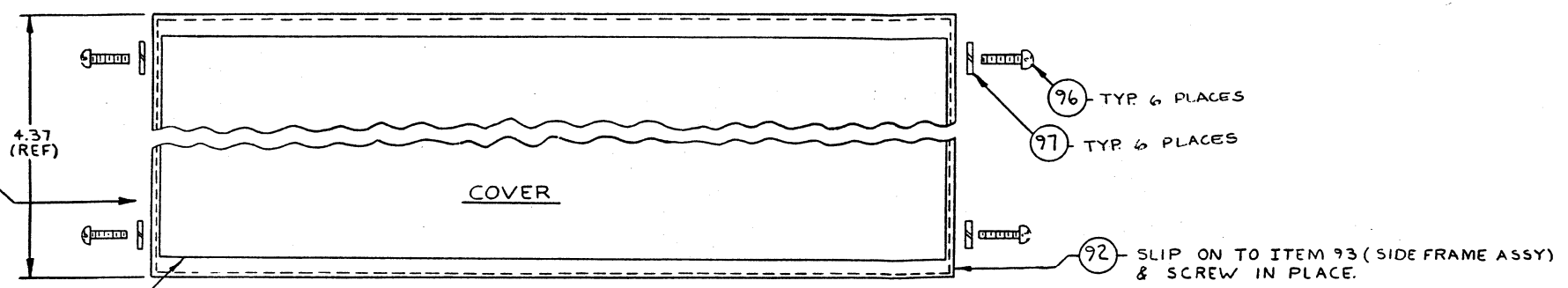
DATE

SHEET 6 OF 7

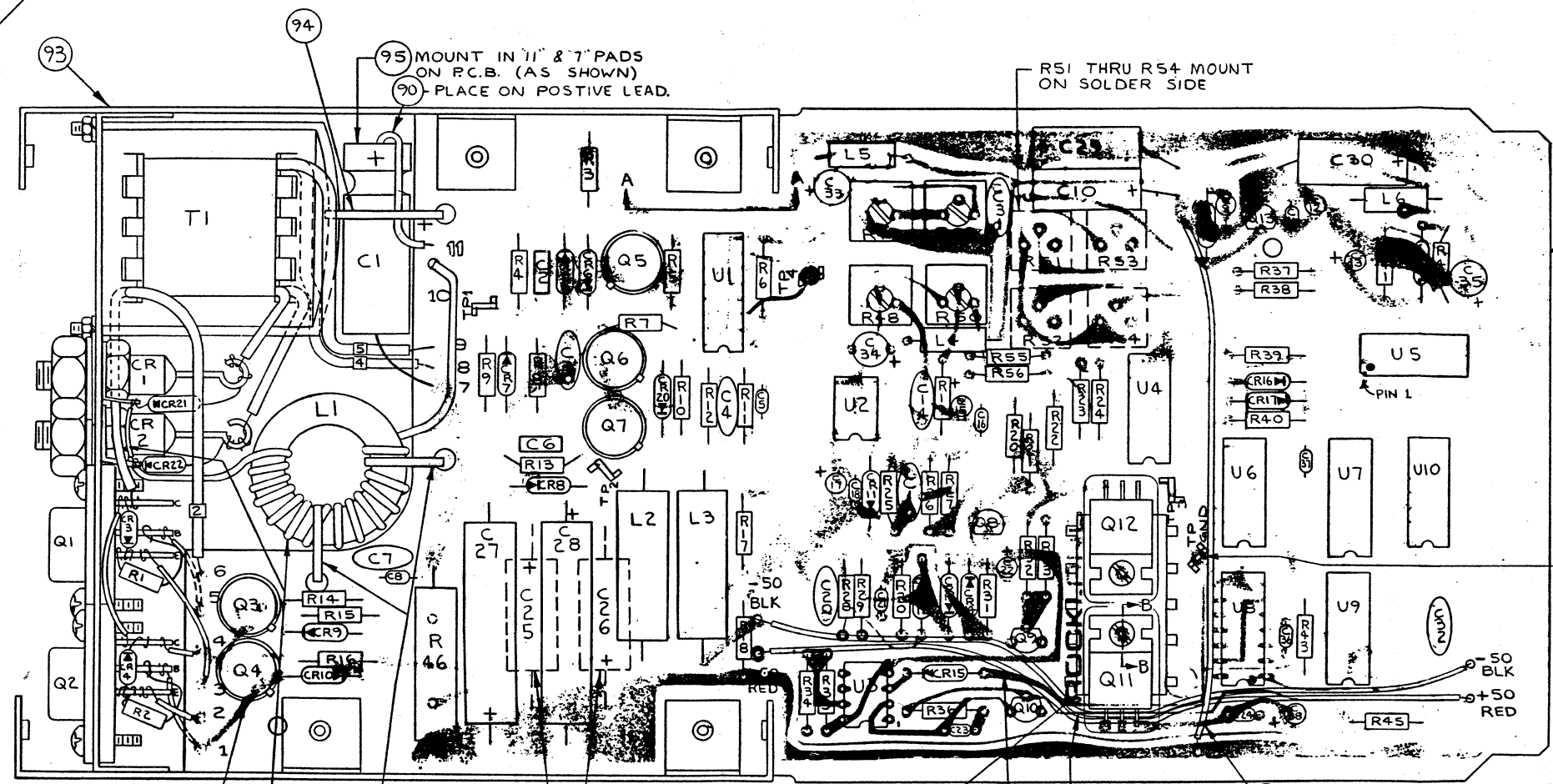
ITEM	PART NO	QTY	DESCRIPTION	REMARKS
68	125-7432	1	U: 74LS32	U31
69	125-0109	2	U: 74LS174	U1, U11
70	125-7404	3	U: 74LS04	U29, U40, U42
71	125-0126	4	U: 74LS257	U4, U7, U8, U9
72	125-0123	2	U: 74LS197	U2, U3
73	125-0134	2	U: 74LS393	U10, U15
74	125-0107	1	U: 74LS123	U37
75	125-0111	1	U: 74LS193	U41
76	125-7451	2	U: 74LS51	U27, U39
77	021-1006	1	PROM: PGMD U21-6370 (129-3012)	U21 REV A
78	125-8195	1	U: 81LS95	U14 (NATIONAL AMD)
79	125-7420	1	U: 74LS20	U30
80	125-7474	2	U: 74LS74	U26, U43
81	125-0118	1	U: 74LS161	U33
82	125-0115	1	U: 74LS138	U34
83	353-2001	2	SOCKET: IC 20 PIN DIP ST	INSTALL AT U18 AND U21
84				

LTR	ECO NO.	CHANGED BY	APPROV BY	DATE
A	RELEASE		PAR 41	3/1/79
B	1054	JB 6-6-79	THOMAS 41	4/1/79
C	1065	TM		6/7/85

APPLY BRADY WIRE MARKER, No. 1, TO UPPER RIGHT HAND CORNER OF P.S. COVER.
NOTE: NOT ON L/M.



CEMENT ITEM 31 IN PLACE (COMPONENT SIDE ONLY)



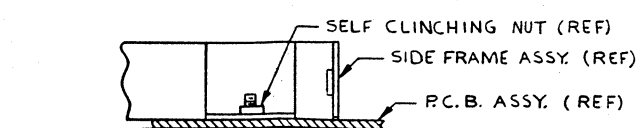
NOTE

WIRE LIST FOR SIDE FRAME ASSY (ITEM 93) MOUNTING TO P.C. BOARD. (ITEM 1)

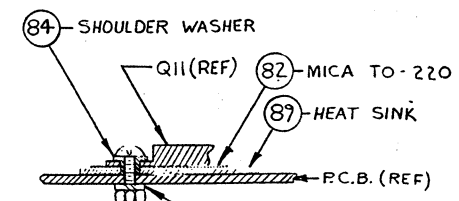
1. FROM Q2 BASE TO PAD 1 ON P.C.B. (BRN)
2. FROM Q2 EMITTER TO PAD 2 ON P.C.B. (RED)
3. FROM Q1 EMITTER TO PAD 3 ON P.C.B. (ORN)
4. FROM Q2 COLLECTOR TO PAD 4 ON P.C.B. (YEL)
5. FROM Q1 BASE TO PAD 5 ON P.C.B. (GRN)
6. FROM NO. 2 OF T1 TO PAD 6 ON P.C.B.
7. FROM NO. 4 OF T1 TO PAD 8 ON P.C.B.
8. FROM NO. 5 OF T1 TO PAD 9 ON P.C.B.

30 - INSTALL UNDER Q3, Q4, Q5, Q6, Q7

91 - CONNECT ONE SIDE OF "L1" AND WIRE FROM CR1 COLLECTOR SOLDER LUG TO CR2 CATHODE SOLDER LUG & OTHER SIDE OF "L1" TO - PAD 10 ON P.C.B. (AS SHOWN)



VIEW A-A



VIEW B-B

83 - TEST POINTS (5 PLACES) TP1, TP2, TP3, TP4, TP GND. (MAKE SURE TABS ON TEST POINTS DO NOT SHORT OUT ANY P.C. RUNS)

SHEETS 2,3,4 ARE 'A' SIZE L/M

DRAWN BY: T.H.	DATE: 1-31-79	WAVETEK Wavetek Scientific, Inc. 10 Volvo Drive Rockleigh, NJ 07647
CHECKED BY:		
ENG APPVL:		
MFG APPVL:		TITLE: ASSEMBLY POWER SUPPLY P.C.B. (530)
UNLESS OTHERWISE SPECIFIED ALL DIMENSIONS ARE IN INCHES AFTER FINISHING AND TOLERANCES ARE:		SIZE: D 02 DRAWING NO: 004-6380 REV: C
.xxx ± .005		SCALE: 2/1 SHEET 1 OF 4
.xx ± .01		
3/x ± 1/64		
Z' ± 1"		

WAVETEK

Wavetek Scientific, Inc.
10 Volvo Drive
Rockleigh, NJ 07647

TITLE

ASSEMBLY
POWER SUPPLY, P.C.B. (530)

LIST OF MATERIAL

02 004-6380

REV
SEE
SHT
1

RELEASE
AUTHORITY

CHK BY

DWH *JV*

ASSY SIZE

D

DATE

3/13/79

SHEET

2 OF 4

ITEM	PART NO	QTY	DESCRIPTION	REMARKS
1	01-320-6380	1	P.C. BOARD	
2				
3	120-0998	1	Q: REG PWM (MC3420P)	U1
4	120-2458	1	U: DL LIN OP-AMP (MC1458)	U2
5	120-8555	1	U: TIMER, DIL (NE555V)	U3
6	120-3339	1	U: QUAD ANAL VOLT COMP (LM339)	U4
7	173-6005	1	OSC: DIP 16.384 MHZ	U5
8				
9	125-0118	1	U: 4 BT. BIN SYNC CNT (74LS161)	U7
10	125-0134	2	U: DL 4 BT BIN CTR (74LS393)	U8, U6
11	124-7404	1	U: HEX INVERTER B/C OUT (74S04)	U9
12	125-7474	1	U: DUAL TYPE D FLIP FLOP (74LS74)	U10
13				
14	137-4001	1	Q: SIL PNP (MM4001)	Q3
15	135-3001	4	Q: SIL NPN (MM3001)	Q4, Q5, Q6, Q7
16	137-6523	2	Q: SIL PNP (MPS6523)	Q8, Q9
17	135-6521	1	Q: SIL NPN (MPS6521)	Q10
18	120-0120	1	Q: P.V. REG 12V 1A TO-220 7812	Q11
19	136-6109	1	Q: SIL PNP (2N6109)	Q12
20	120-0054	1	Q: N.V. REG 5V (79L05)	Q13
21				
22	131-0320	2	CR: SL ZR 32V (1N4752)	CR5, CR8
23	132-0457	12	CR: SL LW LK 70PIV 200MW (1N457)	CR6, CR9, CR10, CR11, CR12, CR13, CR14, CR16, CR17, CR18, CR19, CR20
24	131-0200	1	CR: SL ZR 20V 5% 400MW 1N968B	CR7
25	132-0277	1	CR: GER 120PIV 100MA (1N277)	CR15
26				
27	150-2101	2	L: FXD 1MHY HI-CURR.	L2, L3
28	150-2100	3	L: FXD 1MHY +/- 10%	L4, L5, L6
29				
30	376-2108	5	SPACER: TXSTR LEAD, NYL, LOW	INSTALL UNDER Q3, Q4, Q5, Q6, Q7
31	377-9950	1	VUL FBR: 4 X .015 THK, DK GRAY	4 X 5
32				

WAVETEK

Wavetek Scientific, Inc.
10 Volvo Drive
Rockleigh, NJ 07647

TITLE ASSEMBLY POWER SUPPLY P.C.B. (530)			LIST OF MATERIAL 02004-6380		REV SEE SHT 1
RELEASE AUTHORITY	CHK BY <i>[Signature]</i>	MFG <i>[Signature]</i>	ASSY SIZE D	DATE 3/13/79	SHEET 3 OF 4

ITEM	PART NO	QTY	DESCRIPTION	REMARKS
33	116-0101	2	R: FX COMP 10 OHM 5% 1/4W	R3, R18
34	116-1561	1	R: FX COMP 560 OHM 5% 1/4W	R4,
35	116-2271	1	R: FX COMP 2.7K OHM 5% 1/4W	R5,
36	116-2471	2	R: FX COMP 4.7K OHM 5% 1/4W	R6, R40
37	116-3101	12	R: FX COMP 10K OHM 5% 1/4W	R7, R20, R21, R22, R23, R31, R32 R34, R36, R37, R39, R43
38	116-1101	1	R: FX COMP 100 OHM 5% 1/4W	R8
39	116-1821	1	R: FX COMP 820 OHM 5% 1/4W	R9
40	116-2391	1	R: FX COMP 3.9K OHM 5% 1/4W	R10
41	116-3331	1	R: FX COMP 33K OHM 5% 1/4W	R11
42	116-2101	2	R: FX COMP 1K OHM 5% 1/4W	R12, R42
43	116-2181	1	R: FX COMP 1.8.K OHM 5% 1/4W	R13,
44	116-1271	1	R: FX COMP 270 OHM 5% 1/4W	R14,
45	116-1121	2	R: FX COMP 120 OHM 5% 1/4W	R15, R16
46	116-3201	2	R: FX COMP 20K OHM 5% 1/4W	R17, R19,
47	116-4101	1	R: FX COMP 100K OHM 5% 1/4W	R24
48	116-5201	1	R: FX CFLM 2.1M OHM 5% 1/4W	R25
49	116-3391	1	R: FX COMP 39K OHM 5% 1/4W	R26
50	116-3751	1	R: FX COMP 75K OHM 5% 1/4W	R27
51	116-6201	1	R: FX COMP 20M OHM 5% 1/4W	R28
52	116-4201	1	R: FX COMP 200K OHM 5% 1/4W	R29
53	116-3301	1	R: FX COMP 30K OHM 5% 1/4W	R30
54	116-3151	1	R: FX COMP 15K OHM 5% 1/4W	R33
55	116-6101	1	R: FX COMP 10M OHM 5% 1/4W	R35
56	116-3221	1	R: FX COMP 22K OHM 5% 1/4W	R38
57	116-5271	1	R: FX COMP 2.7M OHM 5% 1/4W	R41
58	116-1471	1	R: FX COMP 470 OHM 5% 1/4W	R45
59	117-8010	1	R: FX WW .01 OHM 3W (4LEAD)	R46
60	118-3501	1	R: VAR CMT 50K OHM 3/8 SQFM	R47
61	118-4502	1	R: VAR CMT 500K OHM 3/8 SQFM	R48
62	118-2102	1	R: VAR CMT 1.K 3/8 SQFM	R50
63	118-3101	5	R: VAR CMT 10K 3/8 SQFM	R49, R51, R52, R53, R54
64				

WAVETEK

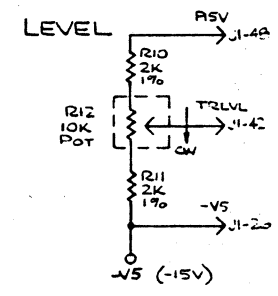
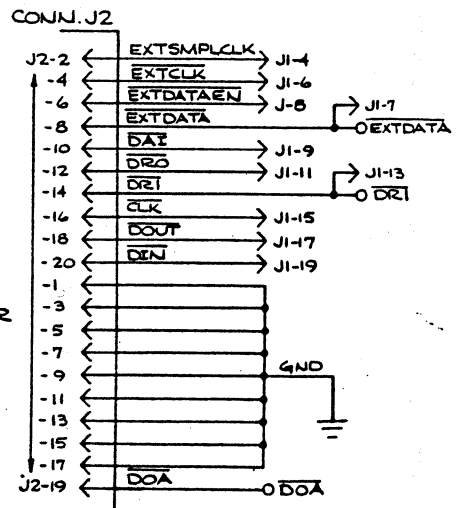
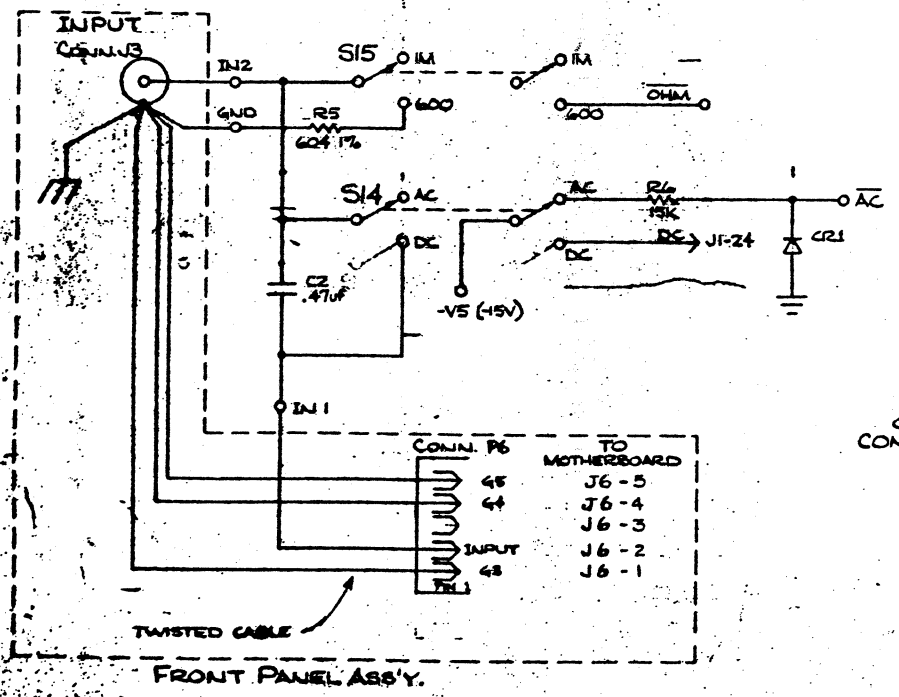
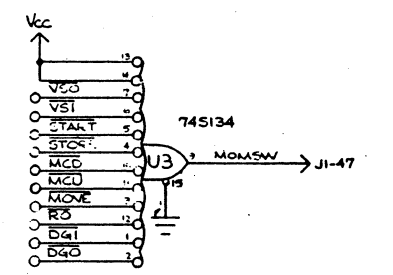
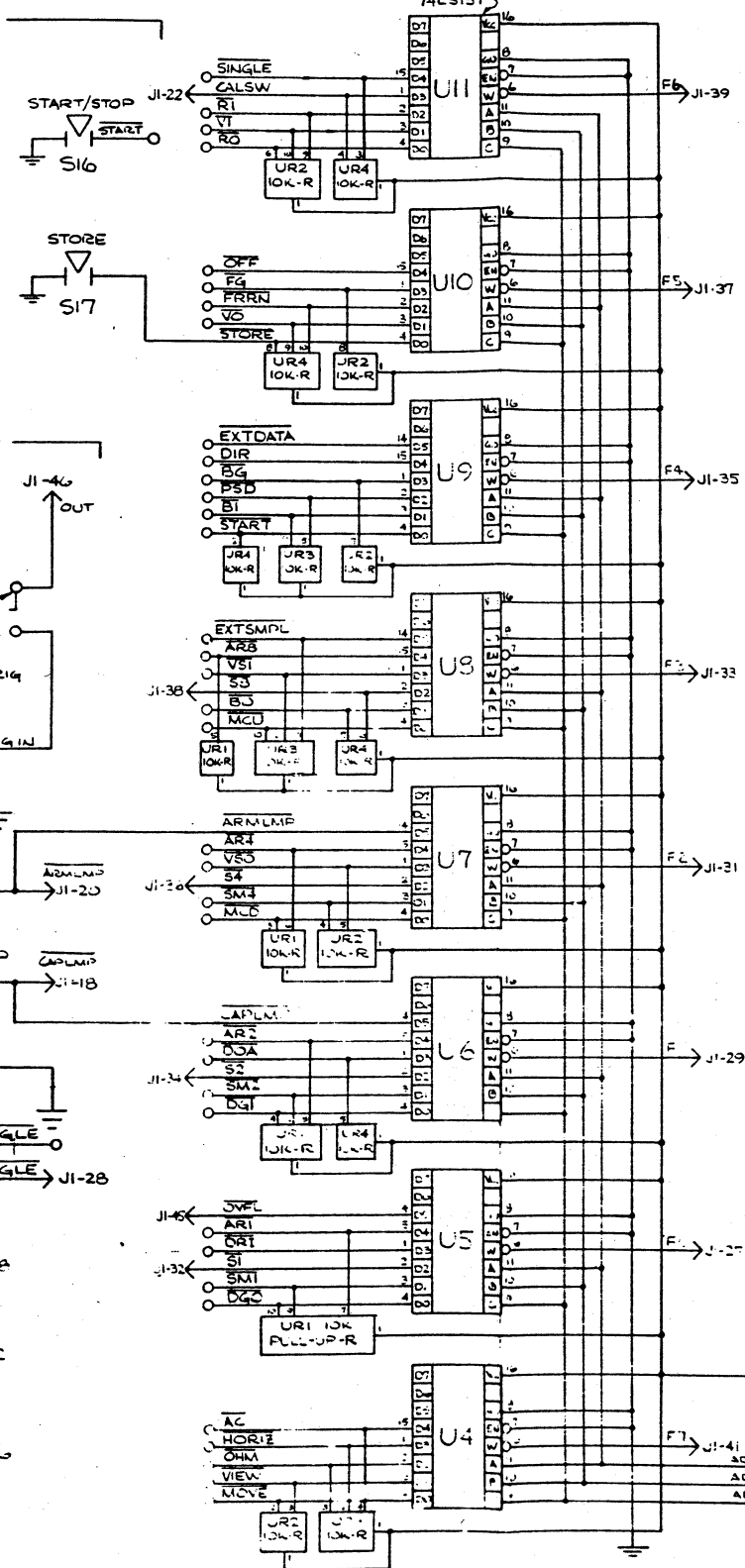
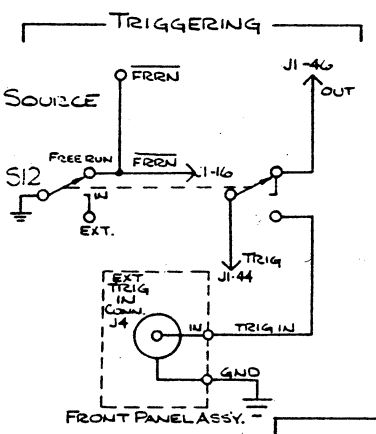
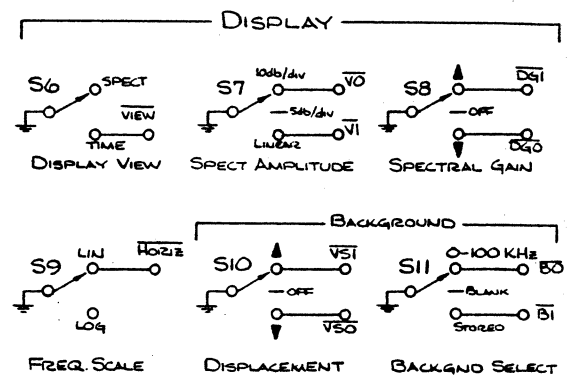
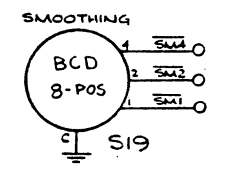
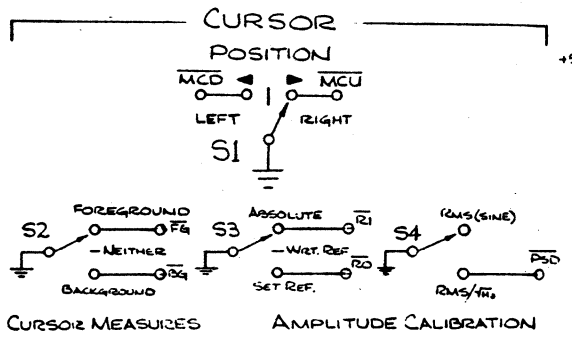
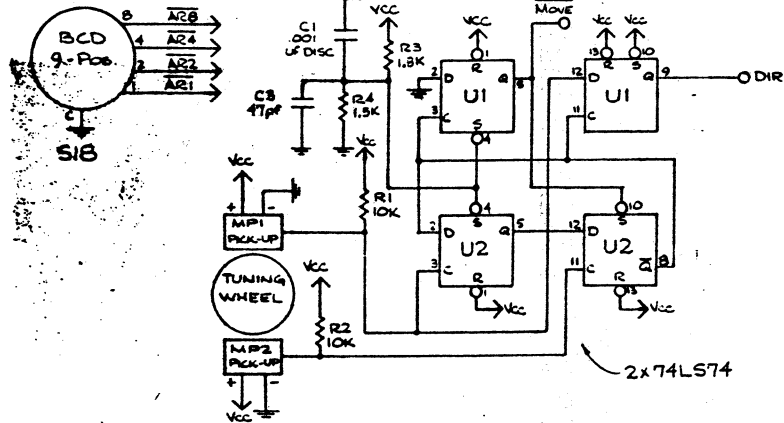
Wavetek Scientific, Inc.
10 Volvo Drive
Rockleigh, NJ 07647

TITLE ASSEMBLY POWER SUPPLY P.C.B. (530)			LIST OF MATERIAL 02004-6380	REV SEE SHEET
RELEASE AUTHORITY	CHK BY TMA/4V	DATE 3/13/79	ASSY SIZE D	SHEET 4 OF 4

QTY	PART NO	QTY	DESCRIPTION	REMARKS
65	116-3471	1	R: FX COMP 47K OHM 5% 1/4W	R55
66	116-5471	1	R: FX COMP 4.7M OHM 5% 1/4W	R56
67	109-7201	1	C: FX ELECT 200UF 7.5V	C1
68	106-3100	2	C: FX CRM MLD .010UF 10% 200V	C2, C6
69	100-3105	2	C: FX MONO .01UF 20% 50V	C3, C19
70	106-2270	1	C: FX CRM MLD 2700PF 10% 200V	C4
71	100-4102	10	C: FX MONO .1UF 50V Z5U	C5, C8, C11, C16, C18, C21, C24, C23, C36, C37
72	100-2100	1	C: FX CER 1000PF +80-20% 1KV	C7
73	109-5100	5	C: FX TANT 1.0UF 20% 35V	C9, C12, C13, C22, C38
74	109-6500	3	C: FX ELECT 50UF 25V	C10, C29, C30
75	100-2155	1	C: FX CER .0015UF 10% 500V X5F	C14
76	109-6100	2	C: FX TANT 10UF 20% 20V	C15, C17
77	101-1470	1	C: FX MICA DP 470PF 10% 500V	C20
78	109-6150	2	C: FX ELECT 15UF 100V	C25, C26
79	109-6220	2	C: FX ELECT 22UF 100V (600D!)	C27, C28
80	100-2105	2	C: FX CER .001UF 10% 500V X5F	C31, C32
81	109-6101	3	C: FX TANT 10UF 20% 50V	C33, C34, C35
82	368-5004	2	MICA INSULATOR TO-220	FOR Q11 & Q12
83	354-0027	5	CONN: TERM TEST POINT	TP1, TP2, TP3, TP4, TP GND
84	388-4040	2	SHOULDER WASHER: NYLON	
85	378-1724	6"	WIRE: #24 AWG STR RED	
86	378-1704	6"	WIRE: #24 AWG STR BLACK	
87	378-1454	4"	WIRE: #18 AWG STR GREEN	
88	381-4062	2	MSCR: ST CD PH #4-40 x 3/8 PH	
89	367-0412	1	HEAT SINK: DUAL TO-220 (530)	
90	378-5520	2"	SHRINK TBG. PLYFIN BLACK 1/8	
91	05-012-1050	1	TOROID	L1
92	05-308-0902	1	COVER	
93	02-002-6380	1	ASSY, SUPPORT FRAME	
94	377-4001	3	TIE: CABLE NY NAT 3/4 MAX DIA	
95	387-4080	2	NUT: HEX 4-40 X 1/4 AF	
96	381-4042	10	MSCR: ST CD PH 4-40 X 1/4 PH	
97	388-1042	12	WASHER: SPLT LK STNLS #4	

LTR	ECO NO.	CHANGED BY	APPROV BY	DATE
A	RELEASE			1/10/77
B	1049	M.McMILLIN		1/10/77
C	1070	F.H. 7/17/79		1/31/79
D	1124	S...		5/16/80

RESOLUTION



DRAWN BY: J.B.	DATE: 11-7-75	WAVETEK Wavetek Scientific, Inc. 10 Volvo Drive Rockleigh, NJ 07647
CHECKED BY:		
ENG APPVL:	1/3/77	
MFG APPVL:	1/5/79	
UNLESS OTHERWISE SPECIFIED ALL DIMENSIONS ARE IN INCHES AFTER FINISHING AND TOLERANCES ARE: .XXX ± .005 .XX ± .01 .X ± .04 ∠ ± 1°		TITLE: SCHEMATIC 7530A FRONT PANEL P.C.B. SIZE: D 03 DRAWING NO.: 004-6300 REV: D

LTR	ECO NO.	CHANGED BY	APPROV BY	DATE
A	RELEASE		REDA	2/9/79
B	1045	M. MCMINN	REDA	2/10/79
C	1371	SE	REDA	2/12/79

J7 (I)		J8		J9		J10		J11		J12		J13		J14		J15		
INPUT SECTION		A/D CONV.		24 BIT PRECISION		24 BIT PRECISION		MEMORY		MEMORY		DISPLAY		POWER SUPPLY				
02-004-6310		02-004-6320		02-004-6330		02-004-6340		02-004-6350		02-004-6360		02-004-6370		02-004-6380				
79	(VCC)	(VCC)	VCC	VCC	VCC	VCC	VCC	VCC	VCC	VCC	(VCC)	(VCC)	(VCC)	(VCC)	VCC	VCC	80	
77	PI5V	MISV	PI5V	MISV	PI5V	MISV	PI5V	MISV	PI5V	MISV	(MISV)	(MISV)	(MISV)	(MISV)	PI5V	MISV	78	
75			(PSV)	FLG70EN	FLG71EN	FLG72EN	(PSV)	FLG73EN	FLG74EN	FLG75EN	VCC	MEV	PSV	(MSV)	PSV	(MSV)	76	
73			HSPRST	FLG70EN	FLG71EN	FLG72EN	RCK	A-D	RCK	A-D	FLG73EN	AS0	D6	D7	D6	D7	74	
71			DATA CLK	FLG 76 (NC)	COMPL C' MSB	FLG 71	LEN	W/FLK	(C'EN)	(W/ARCK)	LEN	W/ARCK	D4	D5	D4	D5	72	
69			OVFL	HSPCK	FLG 71	FLG 71	H-PCK	H-PCK	ICK	H-PCK	SPI	HSPCK	D2	D3	D2	D3	70	
67			FLG 74	SPA SOURCE	FLG 67	FLG 67	IF1	IF1	(AS1)	CRY	AS1	SFC	D9	D1	D0	D1	68	
65			CRSI SEL	FLG 75	SHIFT (FLG 62)	SHIFT (FLG 62)	PIV	PIV	SHIFT (FLG 62)	(RCK)	R12	FLK	R12	R13	R12	R13	66	
63			OVFL CLK	FLG 76	AS2	AS2	AS2	AS2	AS2	AS2	R10	R11	R10	R11	R10	R11	64	
61			WAIT EXT	FLG 77 (NC)	A/F 366	PPPED	A/V	(A/FLG 66)	AS2	AS2	R8	R9	R8	R9	R8	R9	62	
59			TRAPCLK	NC	AP1	MAEN	AP1	MAEN	VERT-	VERT-	R6	R7	R6	R7	R6	R7	60	
57					AP2	CCK	AP2	B(FLG 65)	VERT+	VERT+	R4	R5	R4	R5	R4	R5	58	
55					BIT 17	B(FLG 65)	PMCK	MCK	BIT 17	(MCK)	R2	R3	R2	R3	R2	R3	56	
53					INTSMCK	SP3	INTSMCK	SP3			R0	R1	R0	R1	R0	R1	54	
51	G5	G5	G5	16 BIT CRY	SPISEL	16 BIT CRY	(SPISEL)				S	(S)	MMSW				52	
49	OUT	OUT	OUT	G5	ECK		ECK				OVFL	OVFL	TRSTEN	RI4 (N.C.)			50	
47	G5	G5	G5	S	REN	IEN	REN	IEN	REN	IEN	REN	IEN	REN	IEN	REN	IEN	48	
45	GND		A14	A15	A14	A15	A14	A15	A14	A15	A14	A15	F7				46	
43	S8		A12	A13	A12	A13	A12	A13	A12	A13	A12	A13	F6		LINETRIG	LINETRIG	44	
41	S4		A10	A11	A10	A11	A10	A11	A10	A11	A10	A11	F5				42	
39	S2		A8	A9	A8	A9	A8	A9	A8	A9	A8	A9	F4		VPOS	VPOS	40	
37	S1		A6	A7	A6	A7	A6	A7	A6	A7	A6	A7	F3		VGAIN	VGAIN	38	
35	OVLD		A4	A5	A4	A5	A4	A5	A4	A5	A4	A5	F2		H POS	H POS	36	
33	G5		ARMLMP		A+BEN	DEN	A2	A3	A2	A3	A2	A3	F1		H GAIN	H GAIN	34	
31	-V5		CAPLMP	ANSCLK	SPEN	ANSCLK	A0	A1	A0	A1	A0	A1	F0		VERT-		32	
29	DC		FRRN		FEN	MUXSHEN	A-2	A-1	A-2	A-1	A-2	A-1	AD2		VERT+		30	
27	CALSW		OFF	CONVT(NC)	MUL 2	MUL1	A-3	(MUL1)	(MUL2)	MUL1	(MUL2)	MUL1	OVFL CLK	AD1	WR (N.C.)		28	
25	-V5	AD2	SINGLE	HOP COND	MUL 0	HOP COND	(MUL 0)	(MUL 0)	MUL 0	MUL2	MUL 0	MUL2	PREQ	AD0	BREQ (N.C.)	12V SPEC	26	
23	DC	AL1	EXTCLKEN		SPCK	CMSB	(SPCK)	(CMSB)	SPCK	CMSB	SPCK	CMSB	DISREQ	DIS	POK	DISREQ	24	
21	CALSW	AD3	EXTDATAEN	SVC (FLG 60)	SVC (FLG 60)	MSR1	MUXSHEN	(MSR1)	FEN	MSR1	MSR1	MSR1	DISEN	DDUT	HSPRST	DISEN	22	
19	APMLMP	DN	EXTDATA	OVFLINH	ACN	M'EN	(ACN)	M'EN	ACN	SPEN	OVFLINH	WE	CLR	WE		DISMSK (NC)	TESTEN	20
17	CAPLMP	DOUT	EXTCLK		SI	MSR2	SI	(MSR2)	RMEN	MSR2	RMEN	MSR2	DR1	2MHz (N.C.)	DISCLK	DISCLK	18	
15	FRRN	CLK			BMHZ	M'EN	LSRSI	M'EN	LSRSI	(HSMCK)	LSRSI	(HSMCK)	MPREQ	DR0	MPREQ	PWRUP	16	
13	G5	DR1			CLKINH	FR	MACK	(FR)	MACK	FR	AS2	AS2	MPEN	DAI	MPEN	EXTSMPLCK	14	
11	JV-D	DR0				EXTSMPLCK	CSI	CS0	(CSI)	(CS0)	CSI	CS0	CLKINH	MDR	ENFP (NC)	MDR	12	
9	EXTSMPL	DAI				TRVLV	MPINT (FLG 63)	HSMCK	LSRS0	(HSMCK)	LSRS0	(HSMCK)	CRSI SEL	PWRUP	WRINT	PWRUP	10	
7	EXTDATAEN	EXTDATA				INPUT	TRIG	SERIAL DATA	S0	MRESET	S0	MRESET	A+BEN	RD (N.C.)	(GND)	M50V	8	
5	EXTCLK	GND				G3	TEST	CAPTURED	SERIAL CLK	MEN	HSPRST	MEN	S2 GND	CAPTURED	SERIAL CLK	P12V	6	
3	EXTSMPLCLK	GND				GND	GND	GND	GND	GND	GND	GND	GND	GND	GND	GND	GND	4
1	GND	GND				GND	GND	GND	GND	GND	GND	GND	GND	GND	GND	GND	GND	2

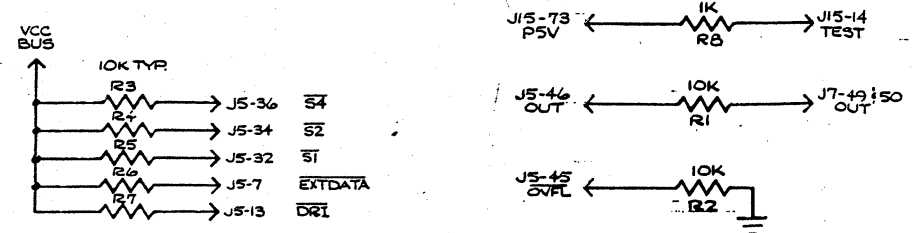
J16		J17	
24 BIT REAR CONV.		DISPLAY REAR CONV.	
02-004-6340		02-004-6370	
A38			B38
A37			B37
A36			B36
A35			B35
A34			B34
A33			B33
A32			B32
A31			B31
A30			B30
A29			B29
A28			B28
A27			B27
A26			B26
A25			B25
A24			B24
A23			B23
A22			B22
A21			B21
A20			B20
A19		P50V	M50V
A18	PI5V	MISV	PI5V
A17		Z AXIS	GND
A16			
A15			
A14			
A13			
A12	GND	GND	GND
A11	VERT+	VERT-	HORIZ+
A10			
A9			
A8	PSV		PSV
A7			
A6			
A5			
A4			
A3			
A2	GND		
A1			

J5 FRONT PANEL 50-PIN CABLE

50	VCC	VCC
48	PI5V	MOMSW
46	OUT	OVFL
44	TR13	AVGLMP
42	TRVLV	F7
40	GND	F6
38	S8	F5
36	S4	F4
34	S2	F3
32	S1	F2
30	OFF	F1
28	SINGLE	F0
26	-V5	AD2
24	DC	AL1
22	CALSW	AD3
20	APMLMP	DN
18	CAPLMP	DOUT
16	FRRN	CLK
14	G5	DR1
12	JV-D	DR0
10	EXTSMPL	DAI
8	EXTDATAEN	EXTDATA
6	EXTCLK	GND
4	EXTSMPLCLK	GND
2	GND	GND

J6 FRONT PANEL 50-PIN CABLE

5	S5
4	S4
3	S3
2	INPT
1	S2



- NOTES:
- ① INDICATES WIRE WRAP POST LOCATION.
 - (BCK) INDICATES SIGNAL IS ACTIVE LOW.
 - SHIFT (FLG 62) INDICATES ALTERNATE SIGNAL SOURCE.
 - DISMSK (NC) INDICATES NO CONNECTION TO SIGNAL.

DRAWN BY: JEB DATE: 2/8/79

CHECKED BY: [Signature]

ENG. APPVL: [Signature]

MFG. APPVL: [Signature]

UNLESS OTHERWISE SPECIFIED ALL DIMENSIONS ARE IN INCHES AFTER FINISHING AND TOLERANCES ARE:

.XXX ± .005

.XX ± .010

.X ± .015

∠ ± 1°

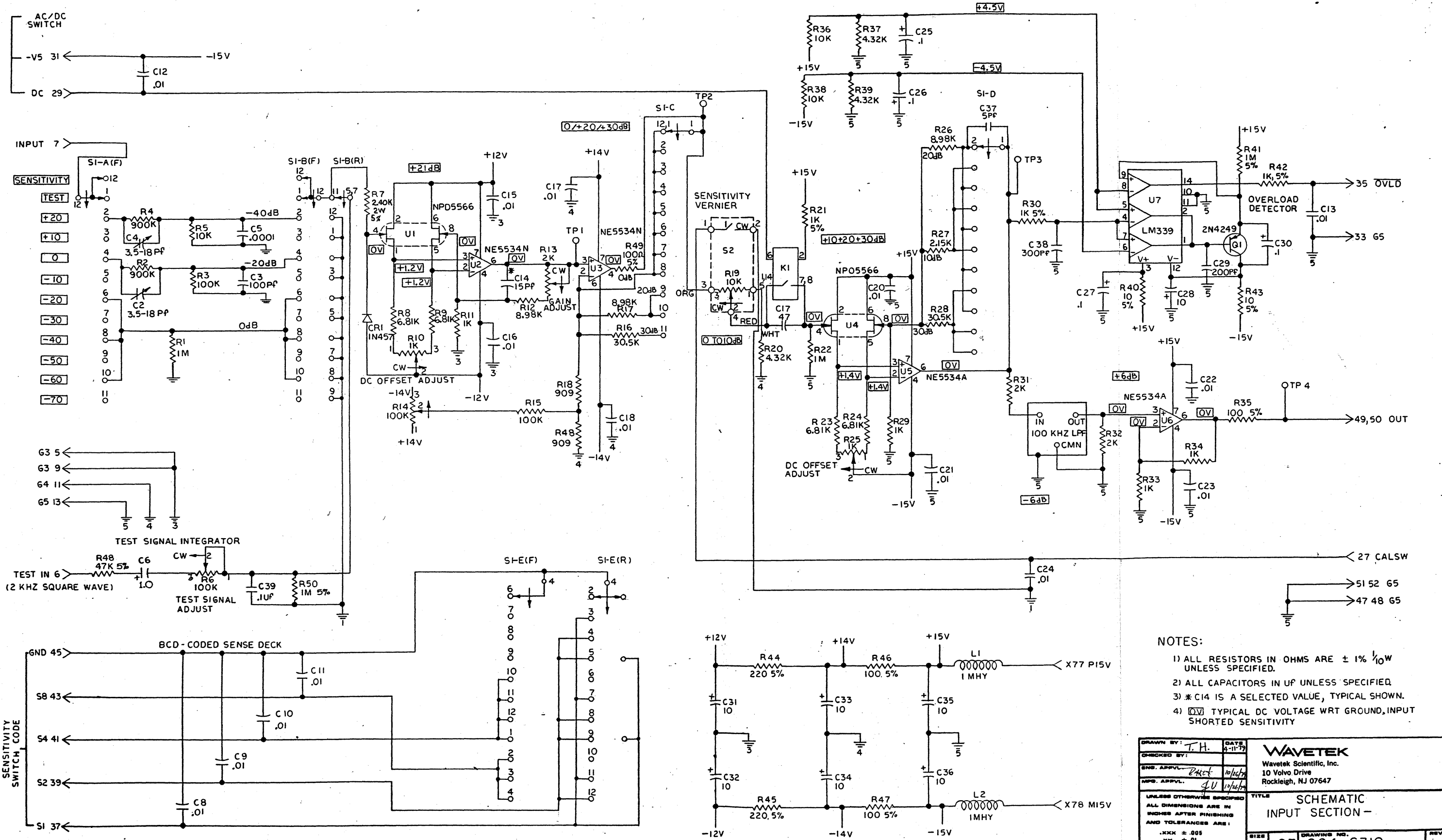
WAVETEK
Wavetek Scientific, Inc.
10 Volvo Drive
Rockleigh, NJ 07647

TITLE: SCHEMATIC
MOTHERBOARD-7530

SIZE: D DRAWING NO.: 03-004-6305 REV: 1

SCALE: 1:1 SHEET 1 OF 1

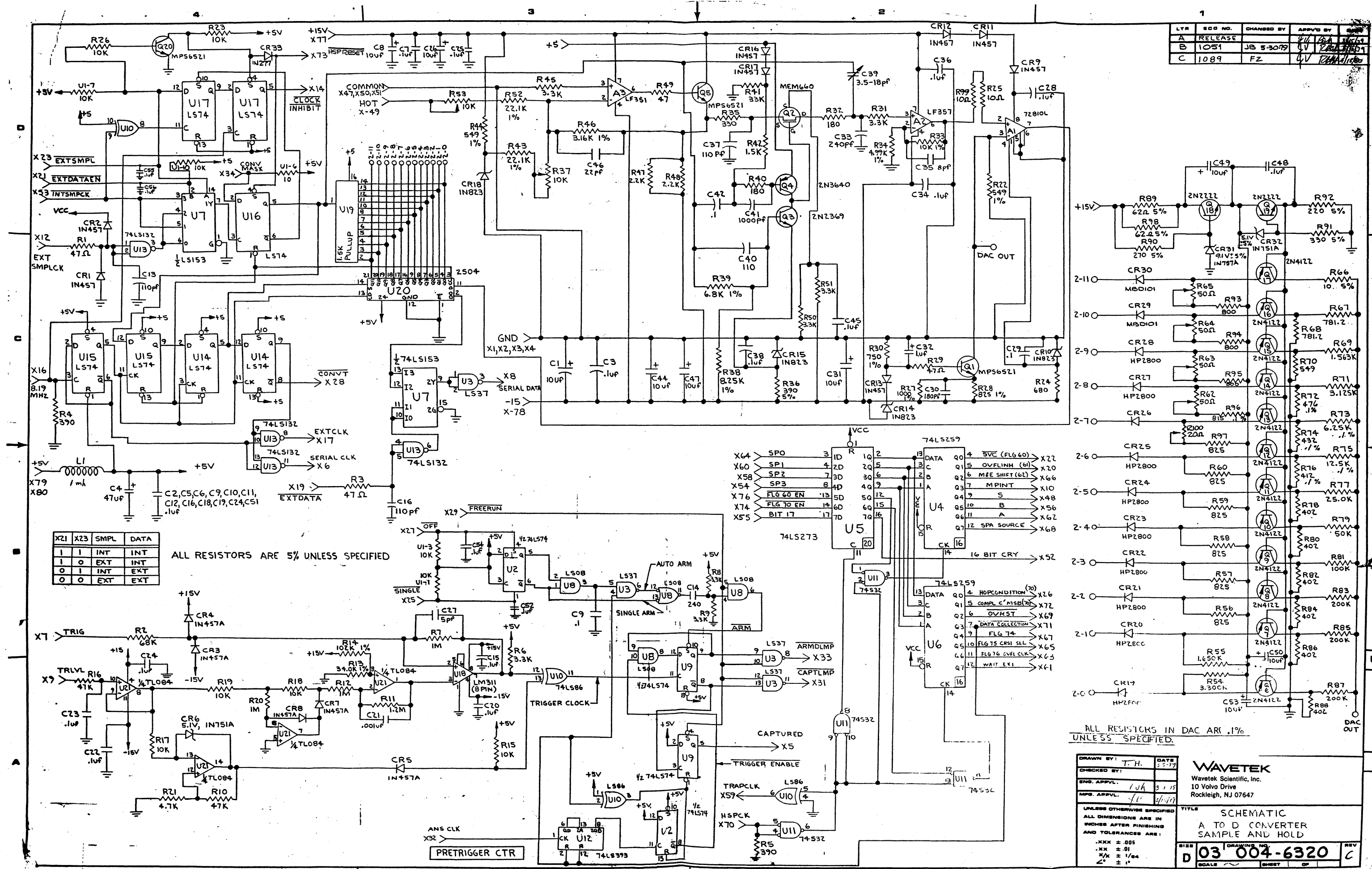
LTR	ECO NO.	CHANGED BY	APP'D BY	DATE
A	RELEASE			1/18/77
B	1127	SAV 5-9-80	JAY	5/15/80
C	1193	3-10-81	JAY	3/10/81
D	1198	8-3-81	BOB LAT	11/14/81



- NOTES:
- 1) ALL RESISTORS IN OHMS ARE $\pm 1\%$ $\frac{1}{10}$ W UNLESS SPECIFIED.
 - 2) ALL CAPACITORS IN uF UNLESS SPECIFIED.
 - 3) * C14 IS A SELECTED VALUE, TYPICAL SHOWN.
 - 4) (OV) TYPICAL DC VOLTAGE WRT GROUND, INPUT SHORTED SENSITIVITY

DRAWN BY: J.H.	DATE: 4-17-77	WAVETEK Wavetek Scientific, Inc. 10 Volvo Drive Rockleigh, NJ 07647
CHECKED BY:		
ENG. APPV: JAY	DATE: 10/14/77	TITLE SCHEMATIC INPUT SECTION -
MFG. APPV: JAY	DATE: 11/14/81	
UNLESS OTHERWISE SPECIFIED ALL DIMENSIONS ARE IN INCHES AFTER FINISHING AND TOLERANCES ARE:		SIZE: D DRAWING NO.: 03 004-6310 REV: D
.XXX ± .005 .XX ± .01 X ± 1/64 ∠ ± 1°		SCALE: _____ SHEET: _____ OF: _____

LT#	ECO NO.	CHANGED BY	APPROV BY	DATE
A	RELEASE			
B	1051	JB 5-30-79	UV	12/11/79
C	1089	FZ	UV	12/11/79



DRAWN BY: T.H. DATE: 5-2-79
 CHECKED BY:
 ENG. APPV. J.H. 5-1-79
 MFG. APPV. J.H. 5-1-79

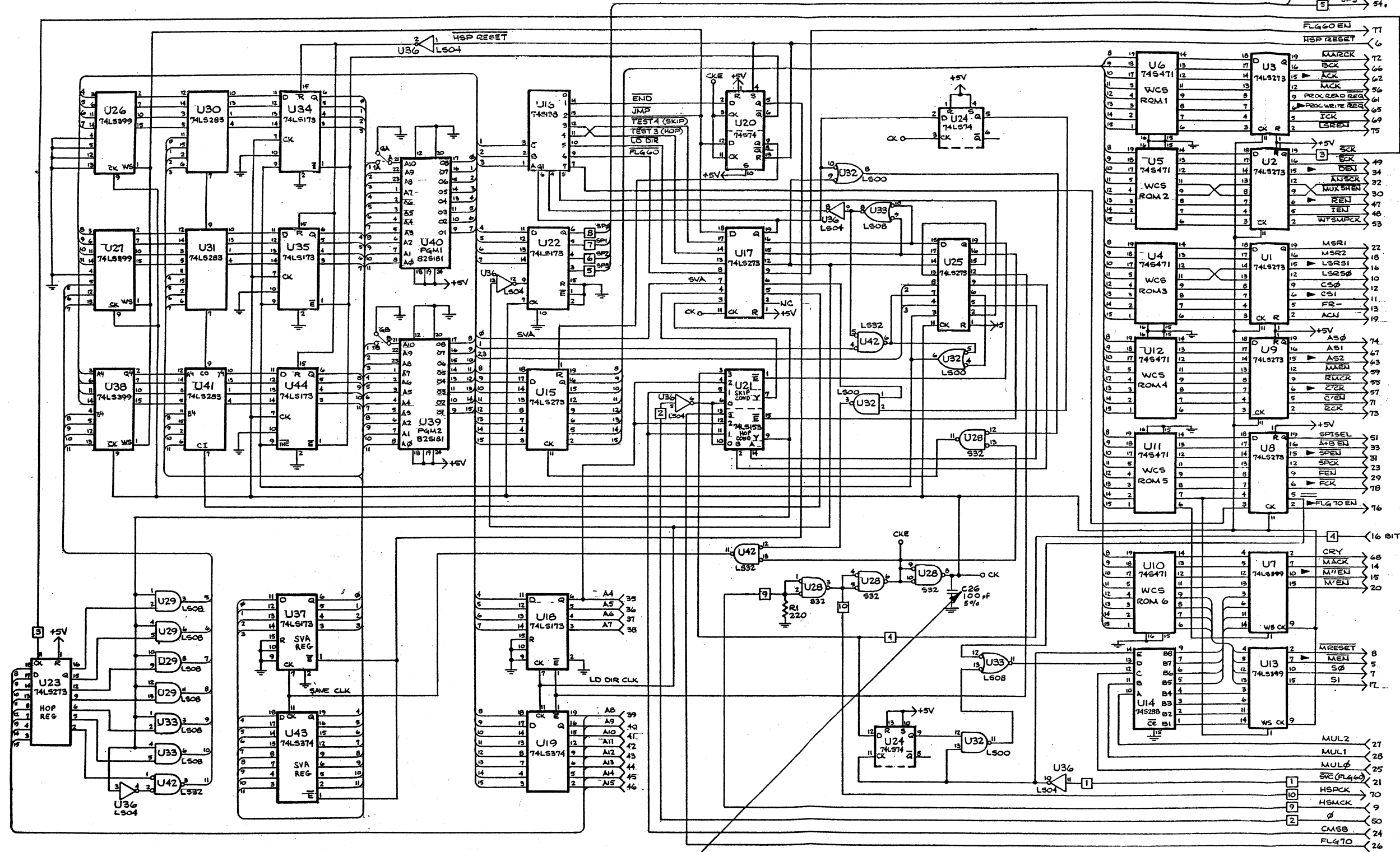
UNLESS OTHERWISE SPECIFIED ALL DIMENSIONS ARE IN INCHES AFTER FINISHING AND TOLERANCES ARE:
 .XXX ± .005
 .XX ± .01
 .X ± .1/64
 ∅ ± .1

WAVETEK
 Wavetek Scientific, Inc.
 10 Volvo Drive
 Rockleigh, NJ 07647

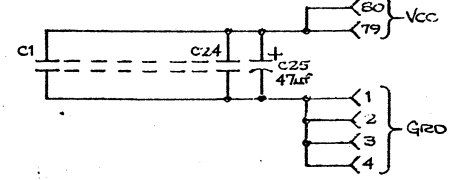
TITLE: SCHEMATIC
 A TO D CONVERTER
 SAMPLE AND HOLD

REV: 03
 DRAWING NO: 004-6320
 SCALE: 1:1

LTR	ECO NO.	CHANGED BY	APPROV BY	DATE
A	RELEASE		CHIA JUV	9/7/79
B	1075	JB 11-29-79	CHIA JUV	12/13/79
C	1313	TC 2-9-82	CHIA JUV	5/13/82
D	1636	DC 5/27/83	CHIA JUV	2/21/85

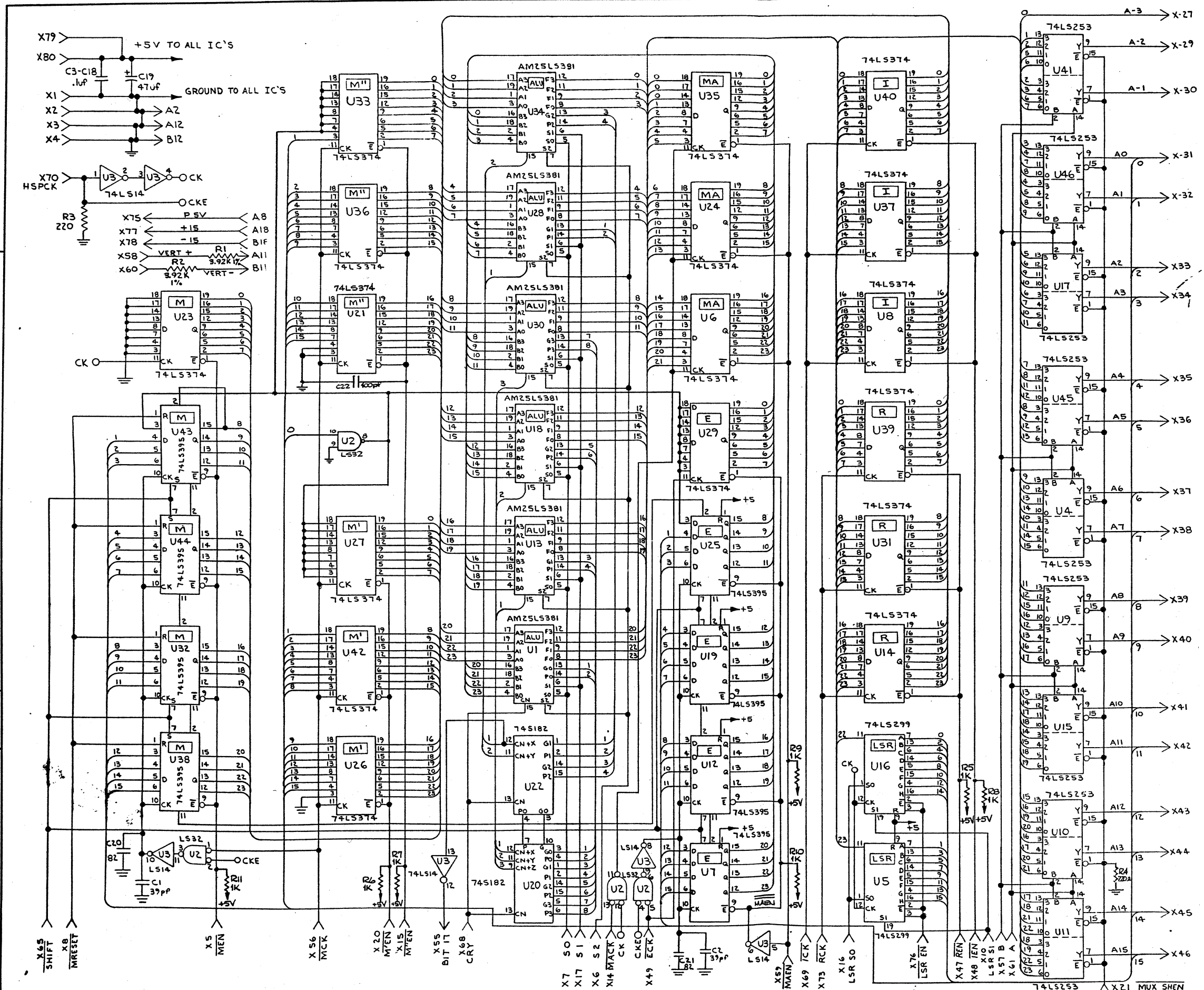


NOTE:
C26 SELECT AT TEST.



DRAWN BY: JB	DATE: 4-4-79	WAVETEK Wavetek Scientific, Inc. 10 Volvo Drive Rockleigh, NJ 07647
CHECKED BY:		
ENG. APPVL: [Signature]	DATE: 4/11/79	TITLE: SCHEMATIC 530, SEQUENCER HSP-1
MFG. APPVL: [Signature]	DATE: 4/11/79	
UNLESS OTHERWISE SPECIFIED ALL DIMENSIONS ARE IN INCHES AFTER FINISHING AND TOLERANCES ARE:		SIZE: D DRAWING NO.: 03-004-6330 REV: D SCALE: NONE DIMS: 1 OF 1
.XXX ± .005 .XX ± .01 X ± .1 ∅ ± .1		

LYR	ECO NO.	CHANGED BY	APPROV BY	DATE
A	RELEASE		Bob QU	9/10/79
B	1044	JB 5-16-79	Bob QU	6/10/79
C	1079 A	JB 12-14-79	ONE QU	12/10/79



DRAWN BY: T. H.	DATE: 8/2/79
CHECKED BY:	
ENG. APPV: Ash	DATE: 9/10/79
MFG. APPV: QU	

UNLESS OTHERWISE SPECIFIED
ALL DIMENSIONS ARE IN INCHES AFTER FINISHING AND TOLERANCES ARE:

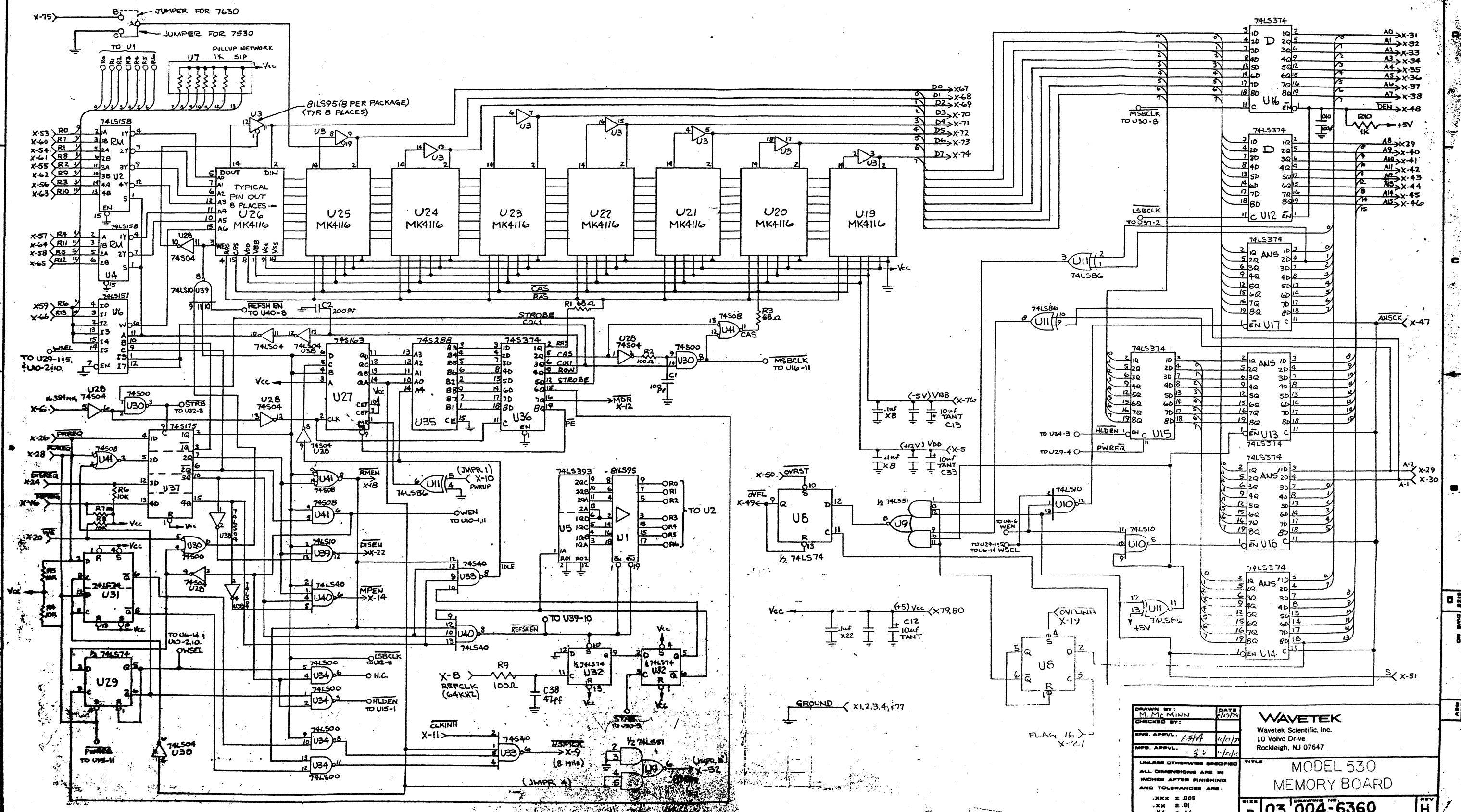
XXX ± .005
XX ± .01
X ± .04
± .1°

WAVETEK
Wavetek Scientific, Inc.
10 Volvo Drive
Rockleigh, NJ 07647

TITLE: SCHEMATIC
24 BIT PROCESSOR

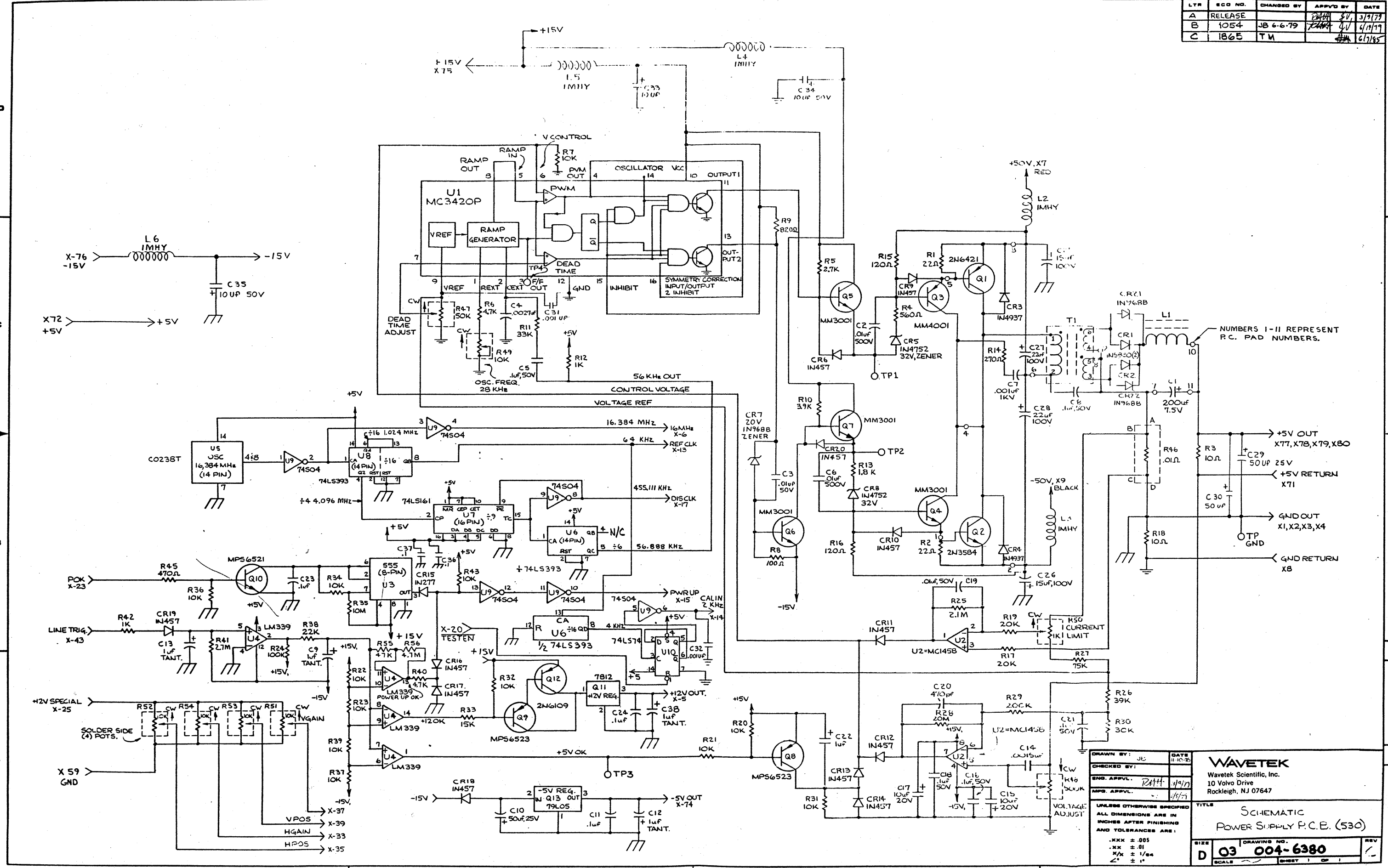
SIZE: D
DRAWING NO: 03 004-6340
SCALE: SHEET: 1 OF 1

LTR	ECO NO.	CHANGED BY	APPROV BY	DATE
C	RELEASE	X 4977	WAV	1/11/79
D	1036	JB 5-11-79	WAV	5/11/79
E	1076A	T.M. 9-13-79	WAV	9/13/79
F	1314	TM	WAV	1/11/80
G	1721	TM	WAV	1/11/80
H	1751	TM	WAV	1/11/80



DRAWN BY: M. McMINN	DATE: 1/11/79	WAVETEK Wavetek Scientific, Inc. 10 Volvo Drive Rockleigh, NJ 07647												
CHECKED BY:														
ENG. APPVL: 1/11/79	DATE: 1/11/79	MODEL 530 MEMORY BOARD												
MFG. APPVL: 4/11/80	DATE: 4/11/80													
UNLESS OTHERWISE SPECIFIED ALL DIMENSIONS ARE IN INCHES AFTER FINISHING AND TOLERANCES ARE:		<table border="1"> <tr> <td>SIZE</td> <td>D 03</td> <td>DRAWING NO.</td> <td>004-6360</td> <td>REV</td> <td>H</td> </tr> <tr> <td>SCALE</td> <td>NONE</td> <td>SHEET</td> <td>1</td> <td>OF</td> <td>1</td> </tr> </table>	SIZE	D 03	DRAWING NO.	004-6360	REV	H	SCALE	NONE	SHEET	1	OF	1
SIZE	D 03		DRAWING NO.	004-6360	REV	H								
SCALE	NONE	SHEET	1	OF	1									
.XX ± .005 .XX ± .01 X/N ± 1/64 < ± 1°														

LTR	ECO NO.	CHANGED BY	APPR'D BY	DATE
A	RELEASE			3/9/79
B	1054	JB 6-6-79		4/11/79
C	1865	T M		6/1/85



NUMBERS 1-11 REPRESENT R.C. PAD NUMBERS.

DRAWN BY: JE	DATE: 11-10-75
CHECKED BY:	
ENG. APPRVL: RATH	DATE: 1/9/79
MPS APPRVL: JB	DATE: 6/6/79
UNLESS OTHERWISE SPECIFIED	
ALL DIMENSIONS ARE IN INCHES AFTER FINISHING AND TOLERANCES ARE:	
.XXX ± .005	
.XX ± .01	
.X ± .1	
∠ ± .1°	
TITLE: SCHEMATIC POWER SUPPLY P.C.B. (530)	
SIZE: D	DRAWING NO.: 004-6380
SCALE: 1" = 1"	REV: 1

WAVETEK
Wavetek Scientific, Inc.
10 Volvo Drive
Rockleigh, NJ 07647